

COMFAB
MODEL 9010
10W RING GENERATOR
Issue 2

CONTENTS

Paragraphs	Page
1. Introduction	1
2. General	1
3. Functional Description	1
4. Warranty	2
Figure	
1. Functional Block Diagram	3
Table	
1. Specifications	4

1. INTRODUCTION

1.01 This technical manual covers the Comfab. Model 9010. Ring Generator and provides general and engineering reference information.

2. GENERAL

2.01 The Model 9010 Ring Generator operates from a 48 Vdc power source drawing 300 MA at full load providing a nominal 85 volt, 20 HZ.

2.02 The Ring Generator is provided with Comfab Station Packages when ringing is required. It is a printed circuit configuration that mounts via card guides and terminates in a card-edge connector.

2.03 Specifications are given in Table 1.

3. FUNCTIONAL DESCRIPTION

3.01 The Model 9010 Ring Generator is illustrated in the Functional Block Diagram given in Fig. 1.

3.02 The -48 Vdc input, fused by a 0.5 amp fuse, is filtered and drives the inverter. Connecting the Machine Start Lead to Ground

or screwing down (clockwise) S1 (unit shipped with S1 down) turns on the inverter driver. The Inverter Driver drives T1 which produces the \pm 130 Vdc to the output.

The Output Modulator Driver alternately drives Q2 and Q3 on with a 30 KHz signal. The duty cycle of the driver is modulated from 5 to 95% by a 20 Hz sine wave signal which produces a 20 Hz sine wave when passed through the Output Filter with S2 screwed down as shipped.

This 85 V output signal is superimposed on the -48 V battery input. The unit can provide grounded ringing by screwing up (counterclockwise) S2 and connecting pin 5 to external ground.

1. Warranty

1.1 All component parts are warranted for a period of five years normal usage. Repair service is available by returning the defective unit to the Comfab repair department, 1030 Republic Drive, EL 60101, (312) 628-8880.

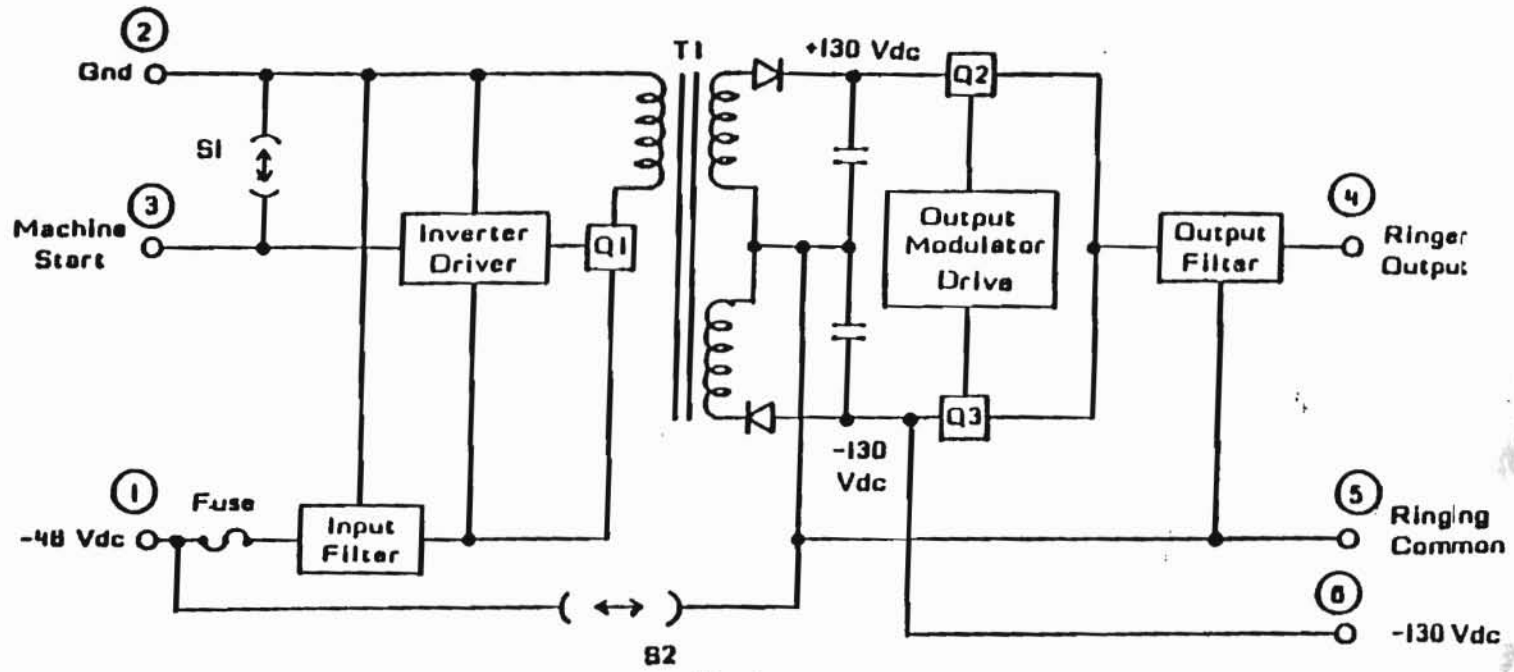


Fig. 1
Functional
Block Diagram

TABLE I
SPECIFICATIONS

Input Voltage	-48 Vdc \pm 4 .Vdc
Current No Load	40 MA
Current Full Load	300 MA
Output Voltage (sinewave)	88 VRMS NOM
Output Power	10 W
Output Frequency	20 Hz \pm 1Hz
Input Fuse	3/4A 3AG
Mounting (not provided)	PC Card Guides
Size: Height	3.5 inches (8.89 cm)
Width	1.5 inches (3.81 cm)
Length	5.3 inches (13.46 cm)
Weight	8.1 oz (0.171 kgms)
Temperature: Operating	0° to 50° C
Storage	-20° to 80° C
MTBF	70500 Hrs.