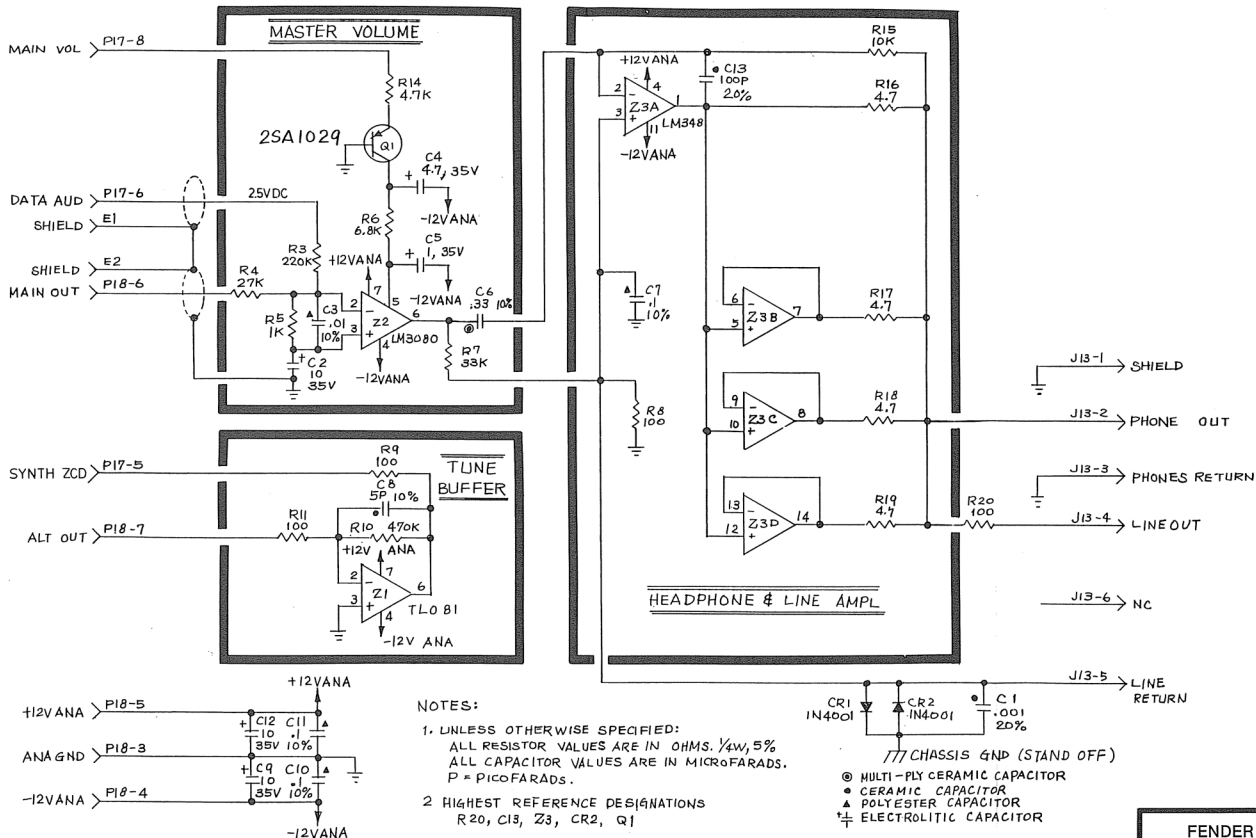
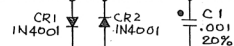


1  
2  
3  
4  
5  
6  
7  
8  
9



**NOTES:**

- UNLESS OTHERWISE SPECIFIED:  
ALL RESISTOR VALUES ARE IN OHMS, 1/4w, 5%  
ALL CAPACITOR VALUES ARE IN MICROFARADS.  
P = PICOFARADS.
- HIGHEST REFERENCE DESIGNATIONS  
R20, C13, Z3, CR2, Q1



/// CHASSIS GND (STAND OFF)

- Ⓞ MULTI-PLY CERAMIC CAPACITOR
- CERAMIC CAPACITOR
- ⊕ POLYESTER CAPACITOR
- ⊚ ELECTROLYTIC CAPACITOR

**FENDER MI  
CHROMA POLARIS**  
  
OUTPUT BOARD  
SCHEMATIC