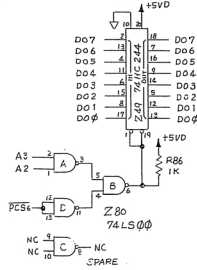
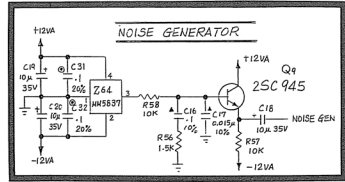
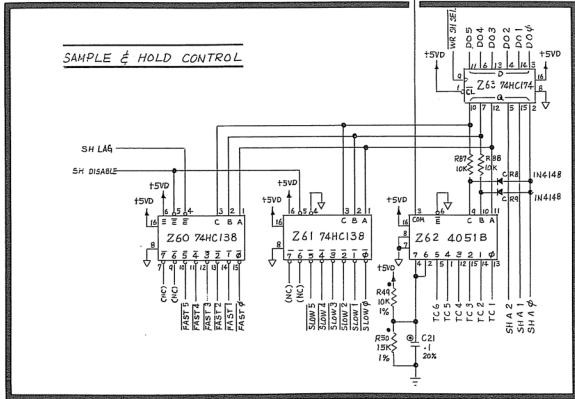
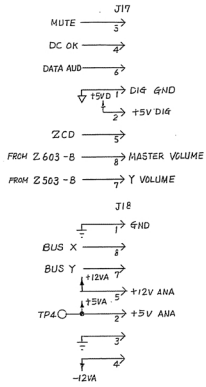
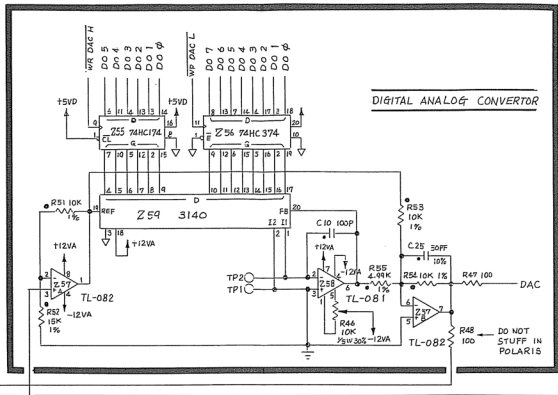
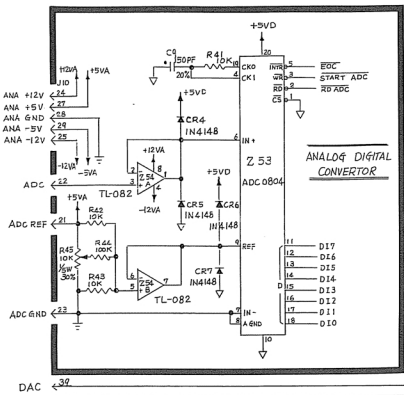


1
2
3
4
5
6
7
8
9



● MULTI-PLY CAPACITOR
 ● CERAMIC CAPACITOR
 ● POLYESTER CAPACITOR
 ■ ELECTROLYTIC CAPACITOR

EACH IC HAS A BYPASS CAPACITOR (0.1E20K MULTI-PLY CERAMIC) EXCEPT Z54, Z57~Z59, Z64, Z80.
 PARTS NUMBER IS SHOWN FOLLOWS.
 C8 [] EXAMPLE :
 IC NUMBER IN CASE OF Z53 → C 853

FENDER MI CHROMA POLARIS
 A/D, D/A, S & H CONTROL
 NOISE GEN