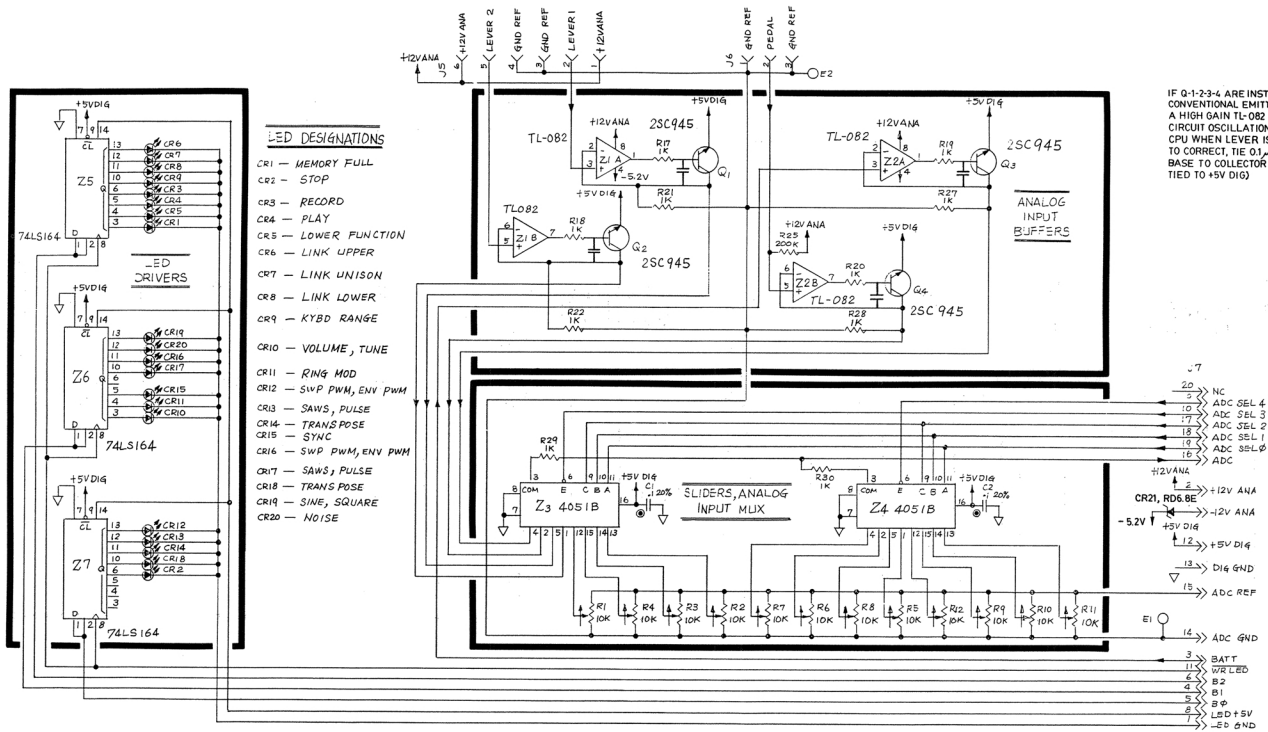


1  
2  
3  
4  
5  
6  
7  
8  
9



IF Q1-Q3 ARE INSTALLED AS CONVENTIONAL EMITTER FOLLOWERS A HIGH GAIN TL-082 MAY CAUSE CIRCUIT OSCILLATION CRASHING CPU WHEN LEVER IS MOVED. TO CORRECT, TIE 0.1µF CAP FROM BASE TO COLLECTOR (COLLECTOR TIED TO +5V D16)

NOTES:  
1. UNLESS OTHERWISE SPECIFIED:  
ALL RESISTOR VALUES ARE IN OHMS. R4w 5%  
ALL CAPACITOR VALUES ARE IN MICROFARADS  
2. HIGHEST REFERENCE DESIGNATIONS:  
R30, C2, CR21, Z7

⊗ MULTI-PLY CAPACITOR

FENDER MI  
CHROMA POLARIS  
CONTROL PANEL  
LEFT SCHEMATIC