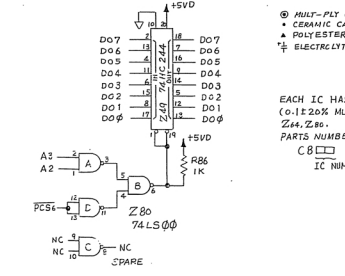
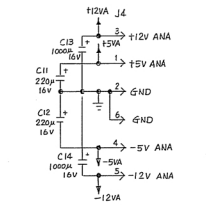
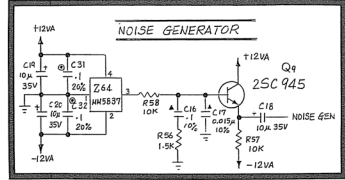
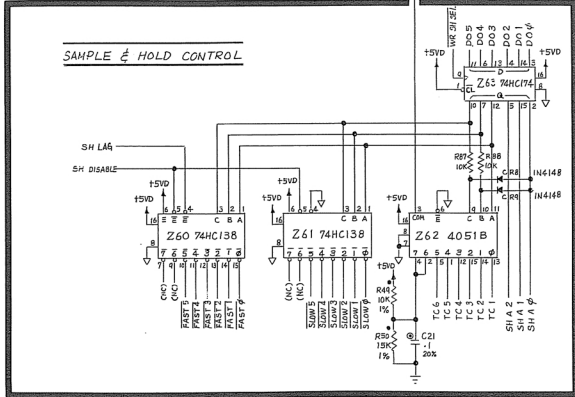
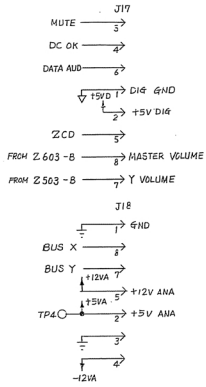
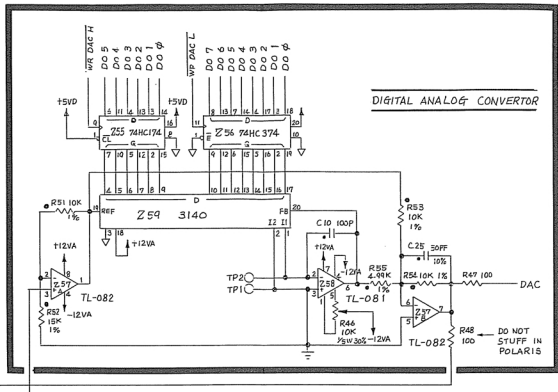
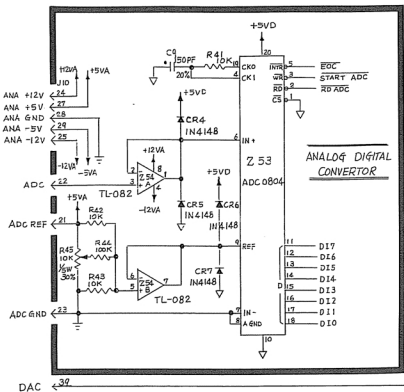


1  
2  
3  
4  
5  
6  
7  
8  
9



● MULTI-PLY CAPACITOR  
 ● CERAMIC CAPACITOR  
 ● POLYESTER CAPACITOR  
 † ELECTROLYTIC CAPACITOR

EACH IC HAS A BYPASS CAPACITOR (0.1E20K MULTI-PLY CERAMIC) EXCEPT Z54, Z57~Z59, Z64, Z80.  
 PARTS NUMBER IS SHOWN FOLLOWS.  
 C8 [ ] EXAMPLE :  
 IC NUMBER IN CASE OF Z53 → C 853

**FENDER MI CHROMA POLARIS**  
 A/D, D/A, S & H CONTROL NOISE GEN