

READ ME FIRST

RMF-Sun-3/470

Purpose

This notice describes two important procedures for handling the Sun-3/470 12-Slot Office Pedestal correctly. It describes the threshold clearance required to roll the pedestal over a floor threshold, and illustrates how to remove the cosmetic panels without damaging the equipment. Failure to follow these directions when moving the pedestal or removing the cosmetic panels may result in damage to your equipment!

1. Threshold Clearance

The low-profile casters on the Sun-3/470 12-Slot Office Pedestal are designed to roll over floor thresholds (sills, etc.) no higher than ¼-inch.

CAUTION Do not attempt to roll the pedestal unit over thresholds larger than ¼-inch. Doing so may damage the casters.

If the threshold exceeds ¼ inch, transport the system as follows:

- ▣ create a ramp over the threshold
- ▣ use another conveyance, such as a cart or forklift, to move the pedestal.

2. Trim Removal/Replacement

The top cover, front panel, left side panel, right side panel, rear bezel, front and rear bumpers are equipped with snap on and off hardware. Whenever you remove the side and front panels, or the rear bezel, follow the procedures in the next subsections. You will need the following tool to perform these procedures:

- ▣ a medium flat-blade screwdriver

The top cover must be removed prior to removing the side panels. The side panels should be removed prior to removing the front panel. The rear bezel and bumper can be removed without removing other panels.

NOTE Prior to performing any of these procedures, ensure that the system administrator has performed a system backup, and that the workstation is gracefully powered down.

Graceful Power-Down

Ensure that you, or the system administrator has warned clients or other workstation users to log out, and, as super-user (root), brought the system down gracefully. After becoming super-user, synchronize the system disks by typing in the command

```
% sync
% sync
```

twice, as shown above. Follow this with the command, `/etc/halt` or `/etc/fasthalt`. The programs called by these commands ensure that all data in the buffers is written to disk before the UNIX operating system is halted.

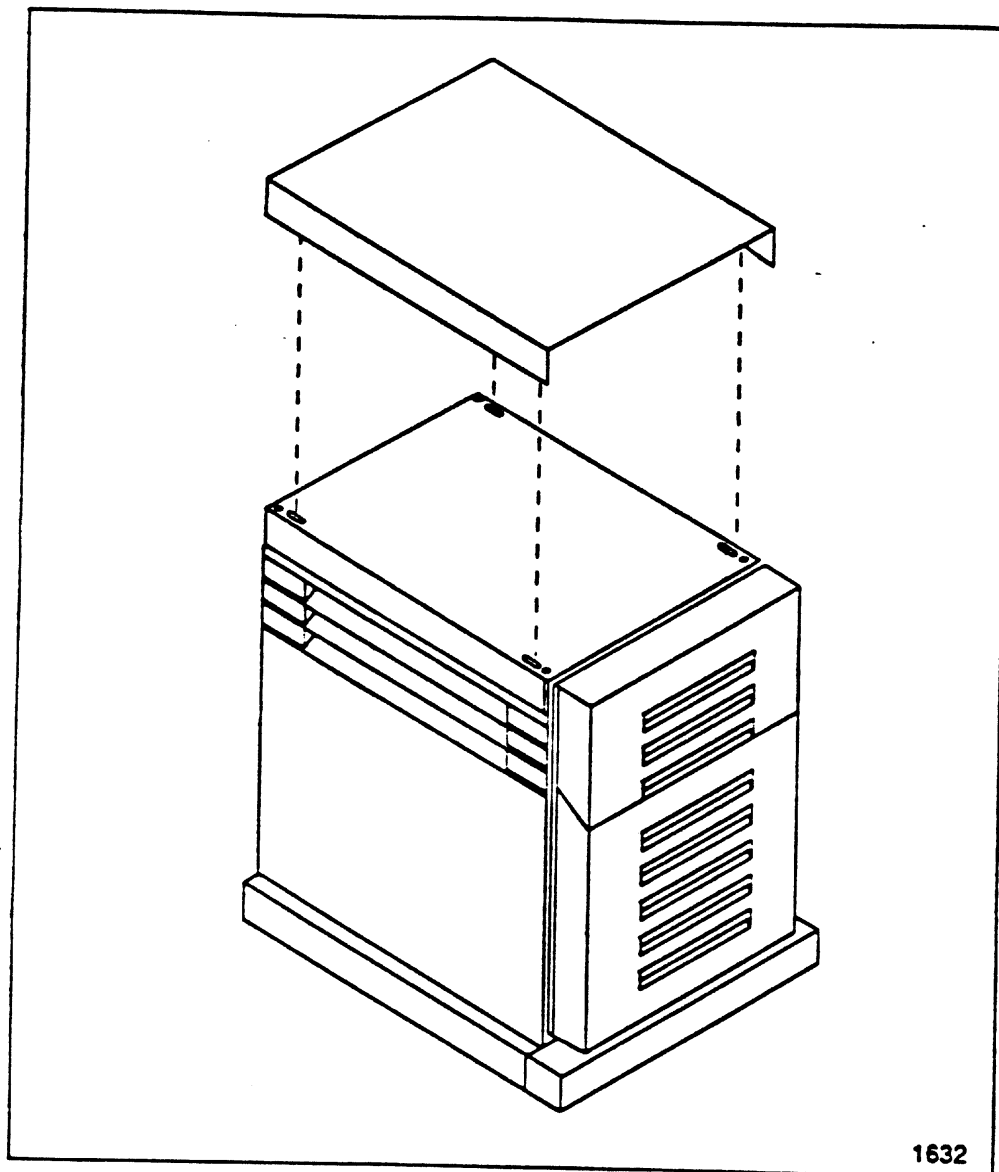
When the UNIX operating system is halted, turn system power off and unplug the power cord from the wall receptacle.

For more information on system administration such as shut-down methods and backups, refer to *System and Network Administration for the Sun Workstation*.

CAUTION Do not remove the trim panels by grasping the sides, top or bottoms and twisting off. This may result in breakage of the panels or fasteners. Always support the panels during removal and replacement operations.

Front Panel Removal

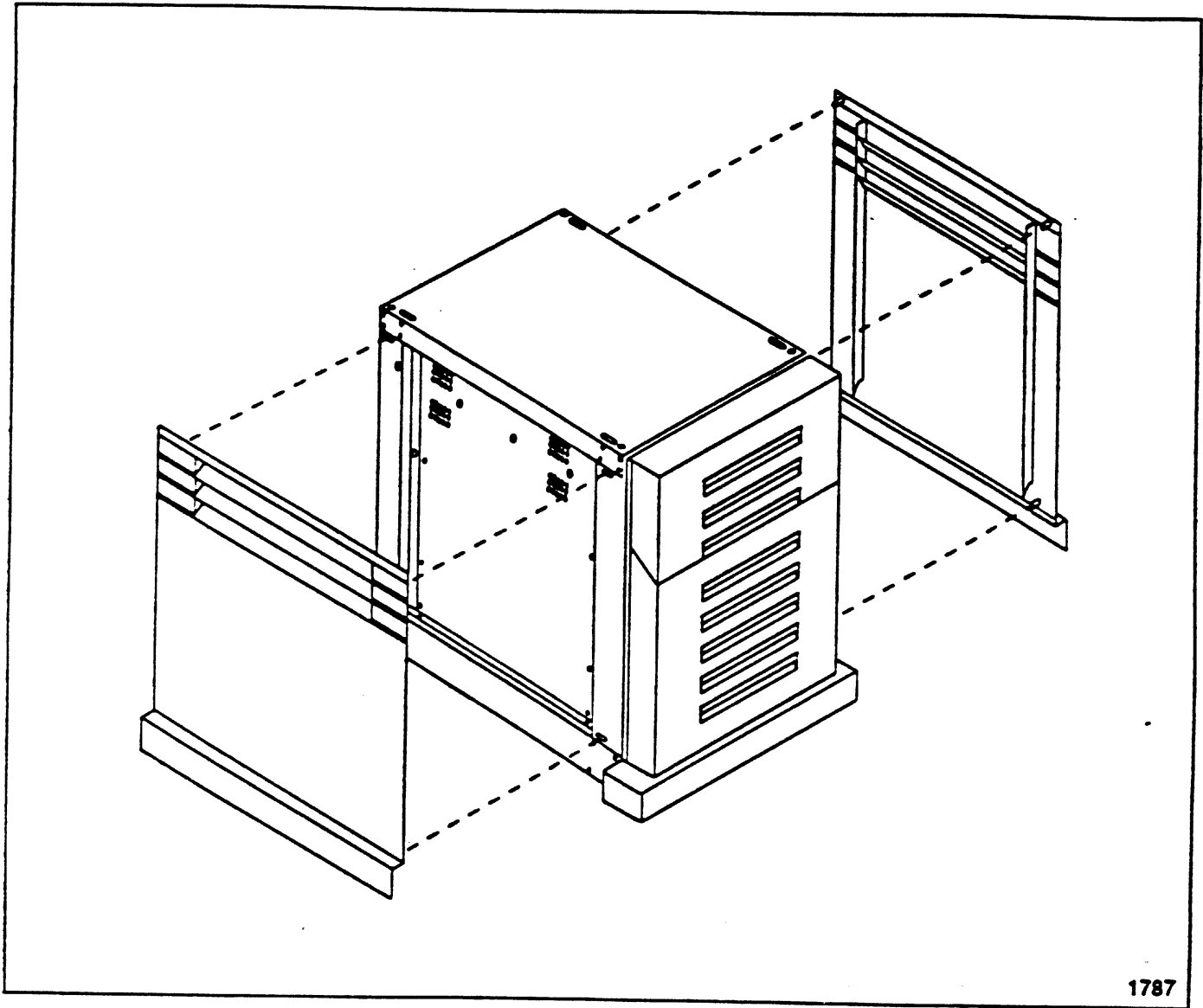
1. Remove the top cover as shown in Figure 1:
 - a. Grasp both sides of the top cover at the front of the unit and lift it off the two front ball studs.
 - b. Grasp both sides of the top cover at the rear of the unit and lift it off the two rear ball studs.

Figure 1 *Removing the Top Cover*

NOTE At this point the side panels should also be removed, as shown in Figure 2. Failure to remove the side panels may result in damage to cosmetic surfaces.

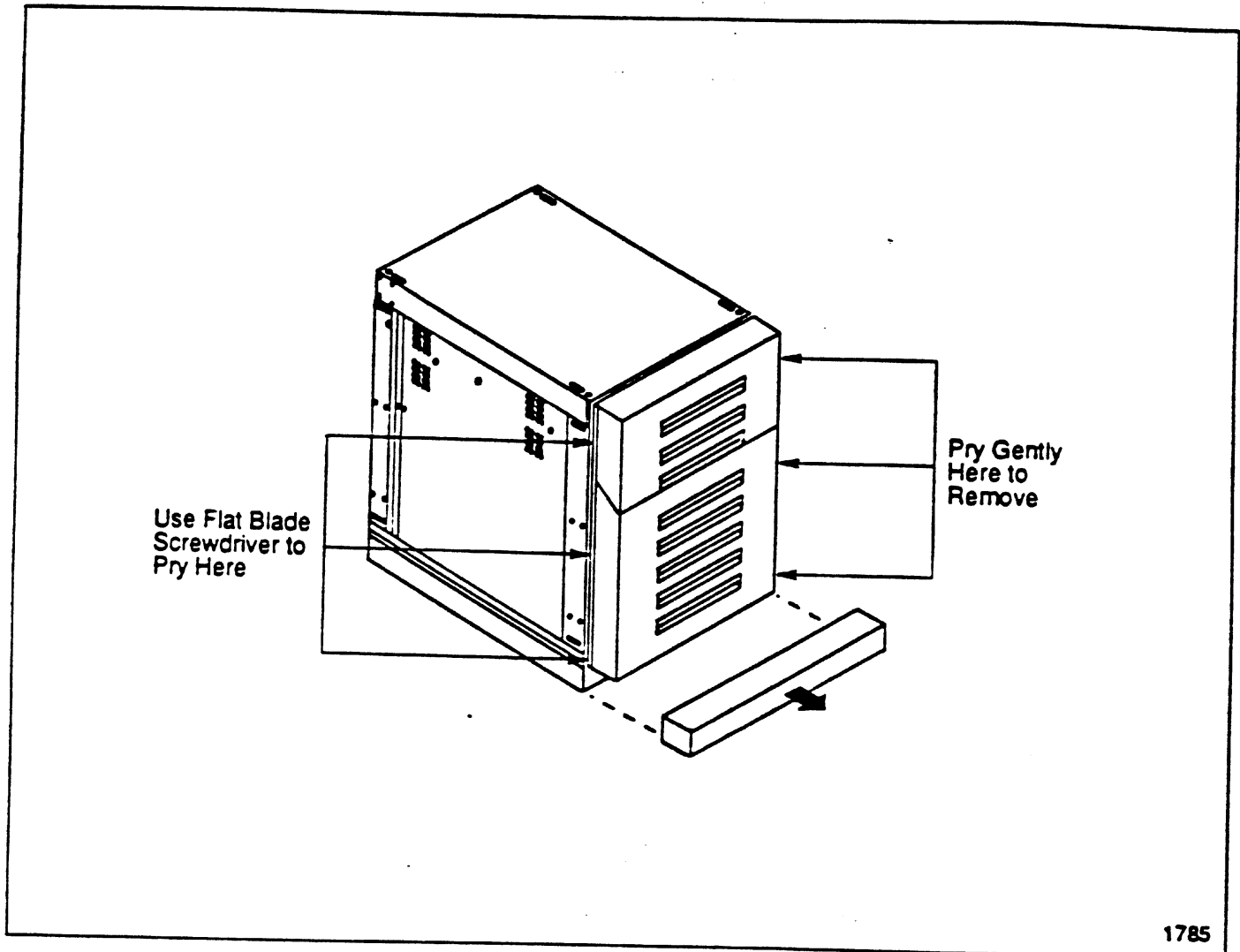
- c. With a flat-blade screwdriver pry outward at the top areas of the side panels to disengage the two upper ball studs.
- d. Pull outward at the lower outside areas of the side panels to disengage the lower ball studs.
- e. Remove the side panels.

Figure 2 *Removing the Side Panels*



2. Remove the front bumper, as shown in Figure 3, by pulling sharply on one side and then the other to disengage the ball studs.

Figure 3 Removing the Front Bumper and Front Panel



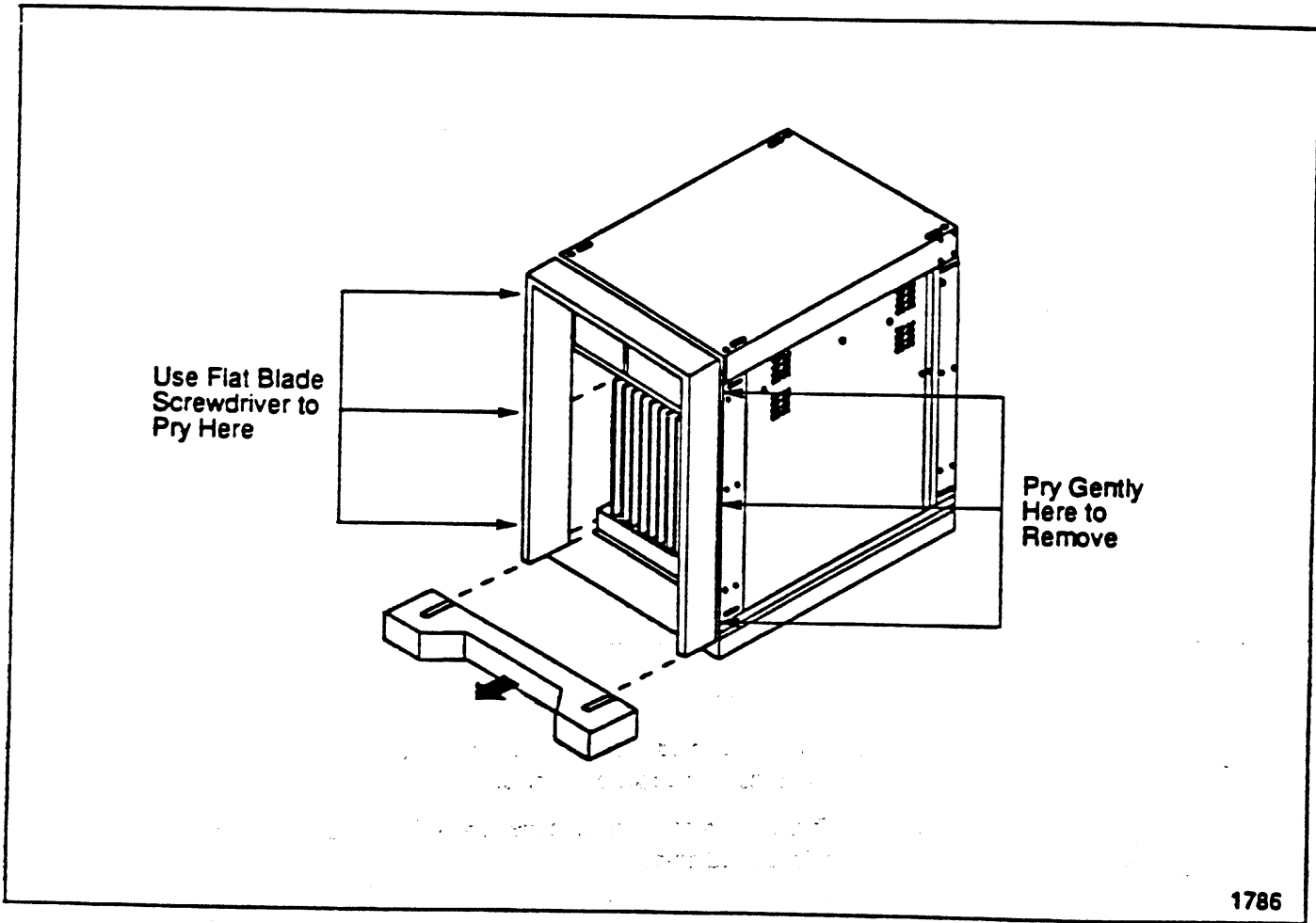
3. Remove the front panel as shown in Figure 3:
 - a. With a flat-blade screwdriver pry the upper area of the front panel away from the two upper ball studs.
 - b. Pull the top of the front panel away from the chassis gently to locate the middle ball studs.
 - c. Disengage the panel from these ball studs with the screwdriver.
 - d. Repeat step c for the lower ball studs and remove the front panel.

Removing the Rear Bumper and Rear Bezel

NOTE Make sure the rear bumper is removed prior to removing the rear bezel. There is an interlocking tab on the bezel which supports the top of the bumper.

1. Remove the rear bumper as shown in Figure 4. Use a flat-blade screwdriver at the center of the rear bumper, pry the ball stud brackets away from the frame and remove the rear bumper.
2. Remove the rear bezel:
 - a. With a flat-blade screwdriver, pry the two upper edges of the bezel away from the frame to disengage the ball studs.
 - b. Repeat step a for the two lower ball studs.
 - c. Remove the rear bezel.

Figure 4 Removing the Rear Bumper and Bezel



Questions?

Call your Sun service hotline number with any questions.