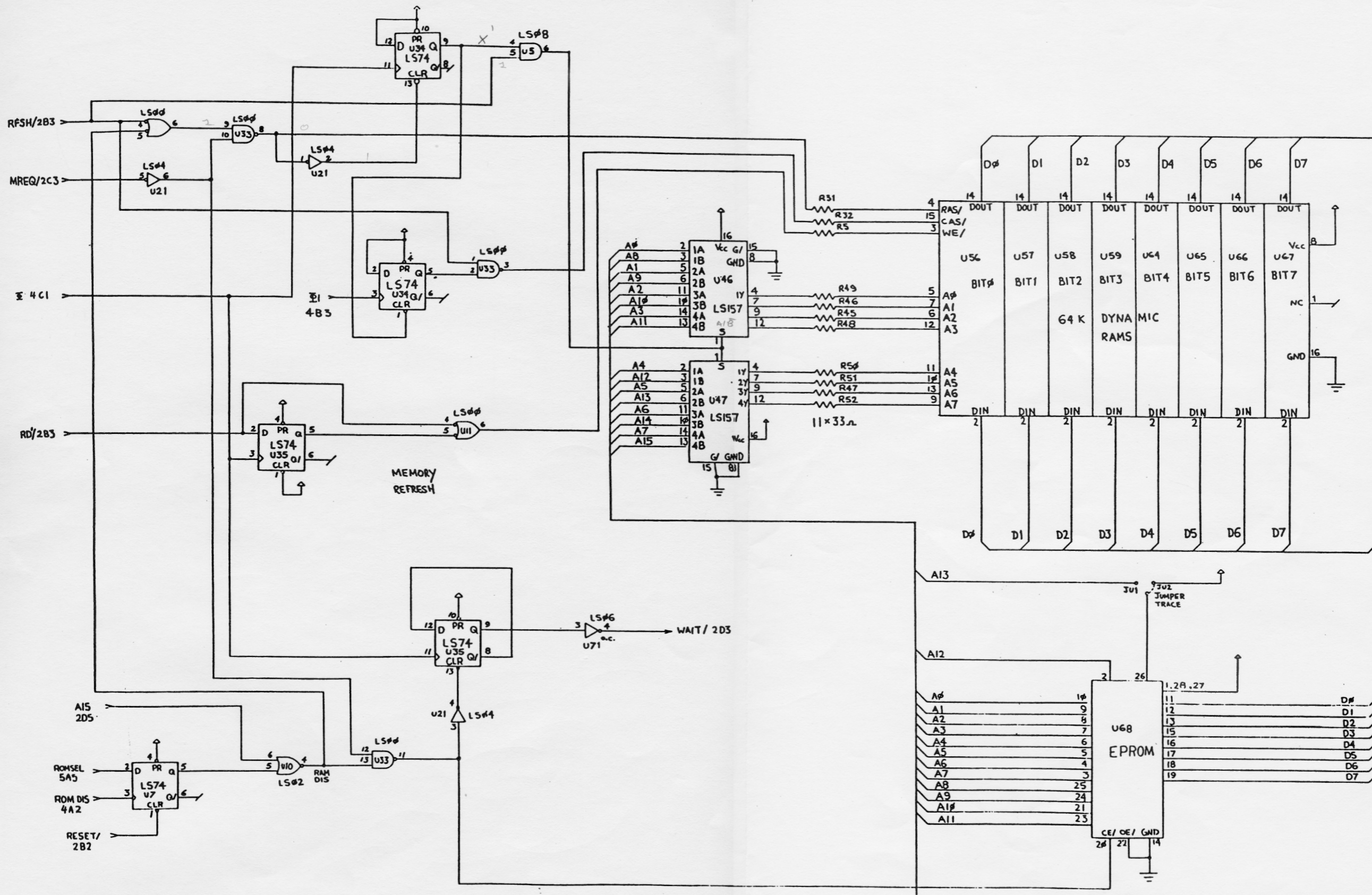


SEMI-TECH
 MICROELECTRONICS CORPORATION, TORONTO, ONTARIO, CANADA
 DATE AUG 13, 82
 SHEET 5 OF 6

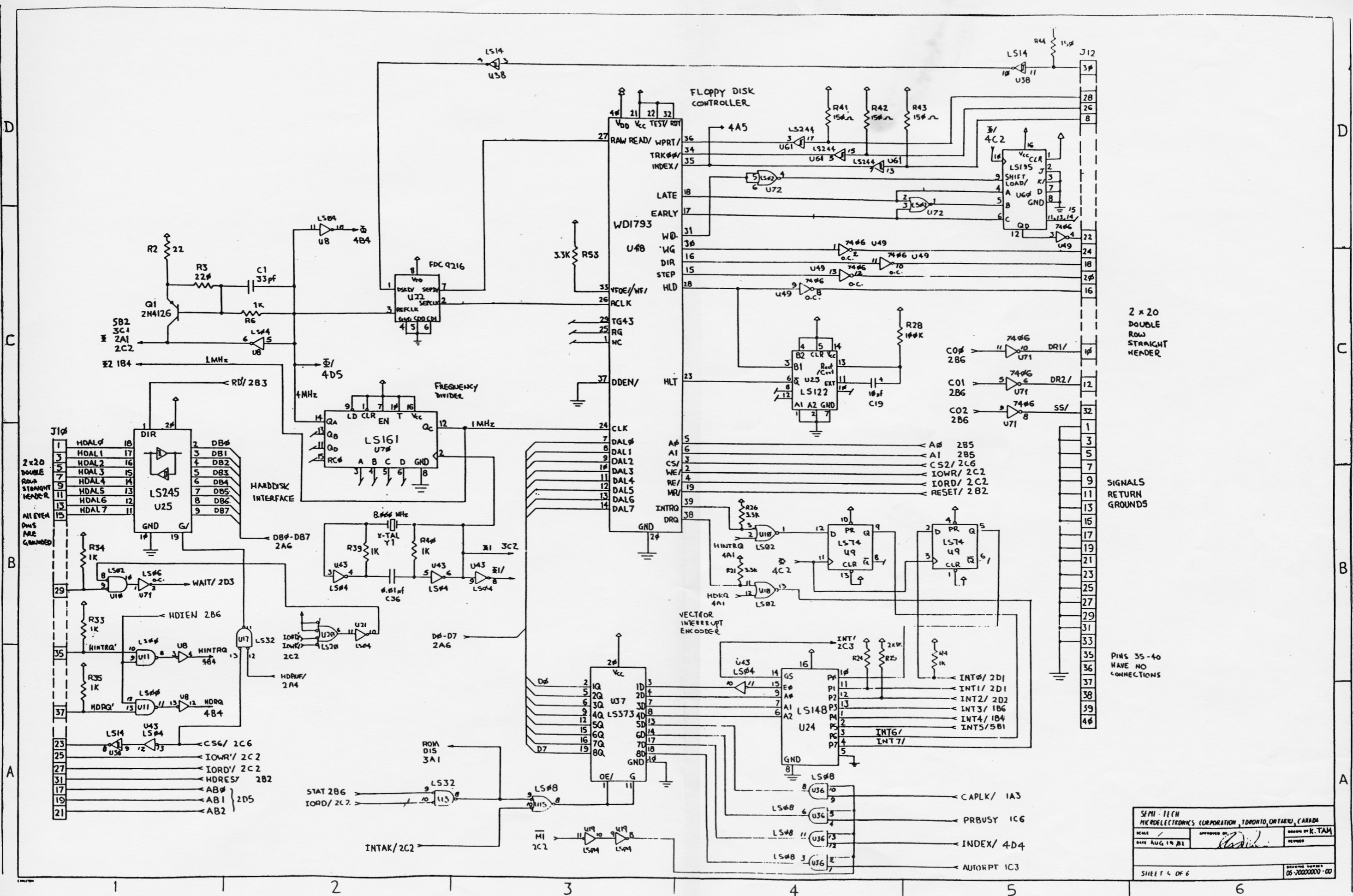


MEMORY REFRESH

64 K DYNAMIC RAMS

U68 EPROM

SEMI-TECH MICROELECTRONICS CORPORATION, TORONTO, ONTARIO, CANADA			
SCALE	APPROVED BY	DESIGNED BY	DESIGNED BY
DATE	AUG 19 82	<i>[Signature]</i>	K. TAM
SHEET 3 OF 6			DESIGN NO. 06-200010-00

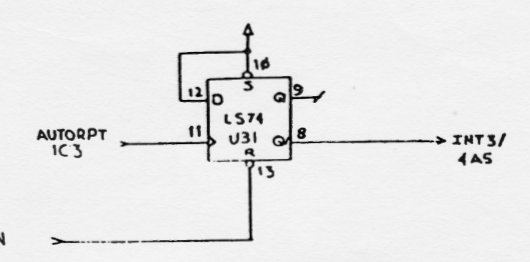
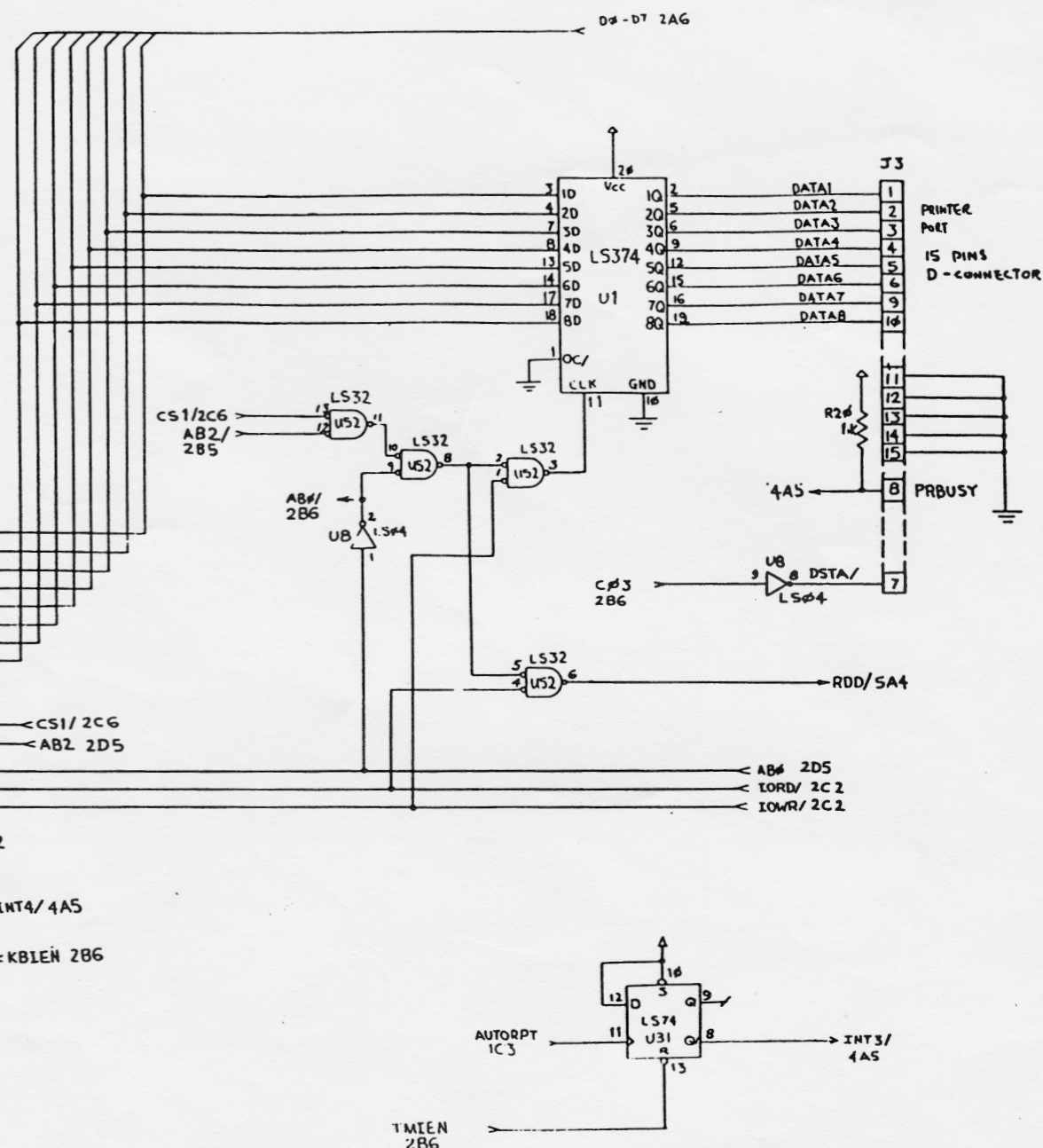
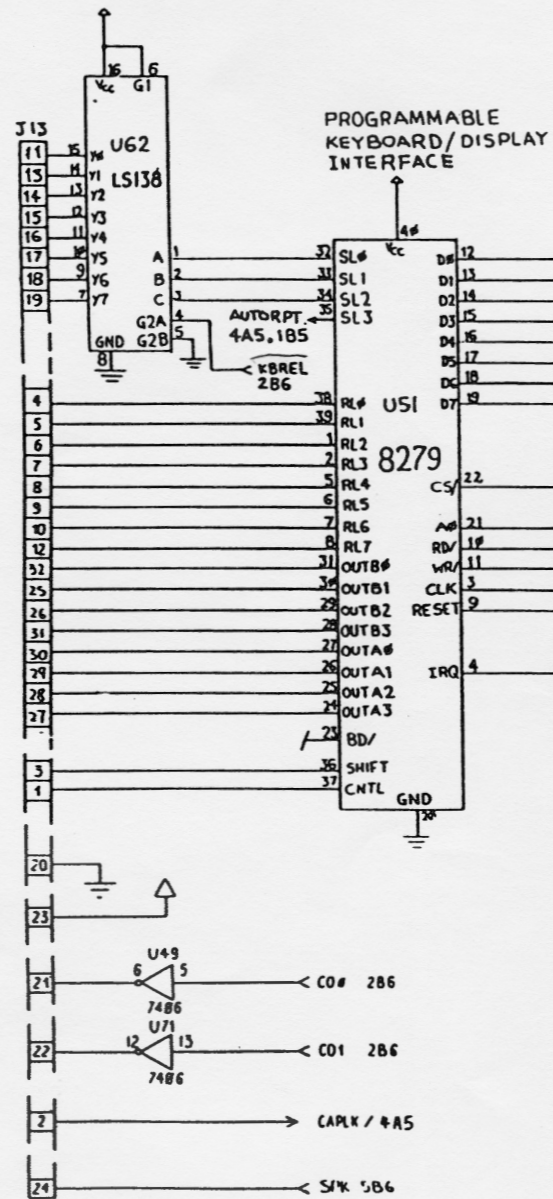
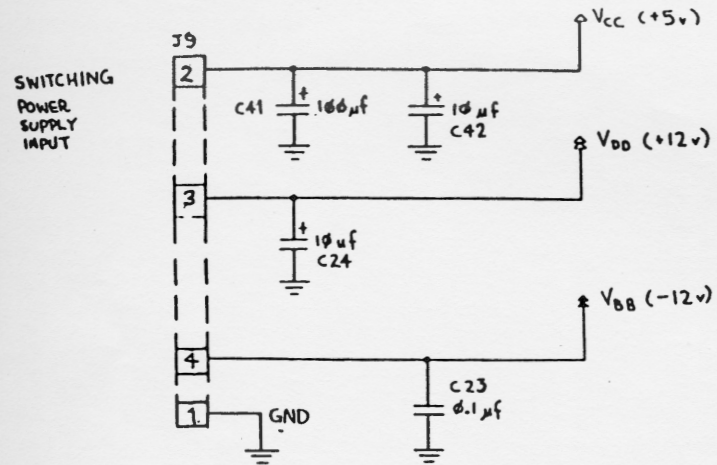


2 x 20
DOUBLE
ROW
STRAIGHT
HEADER

SIGNALS
RETURN
GROUNDS

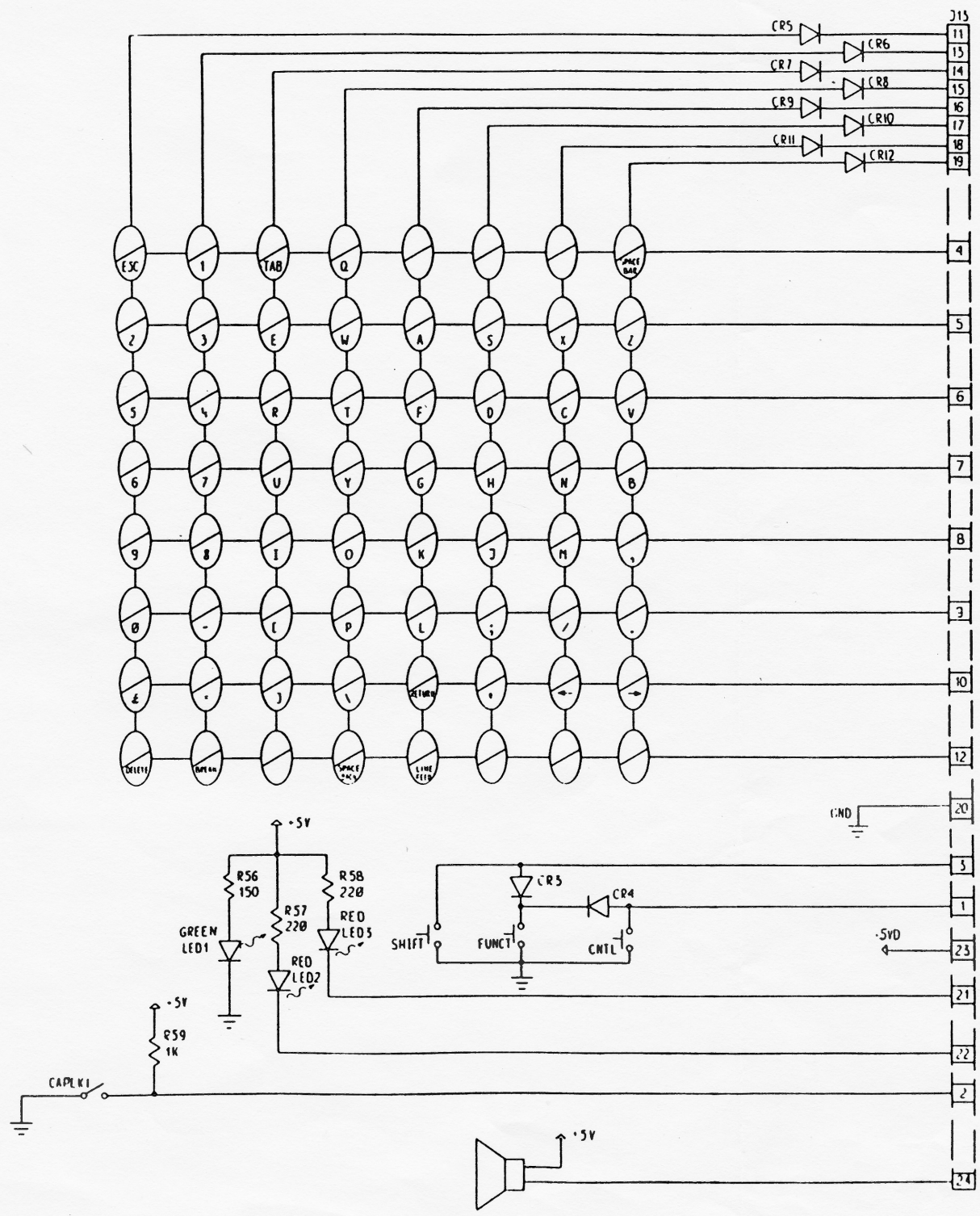
PINS 35-40
HAVE NO
CONNECTIONS

SEMI-TECH MICROELECTRONICS CORPORATION, TORONTO, ONTARIO, CANADA			
SCALE	APPROVED BY	DRAWN BY K.TAM	
DATE AUG 19 81	<i>K.TAM</i>	DESIGNED	
SHEET 4 OF 6			DESIGN NUMBER 06-0000000-00



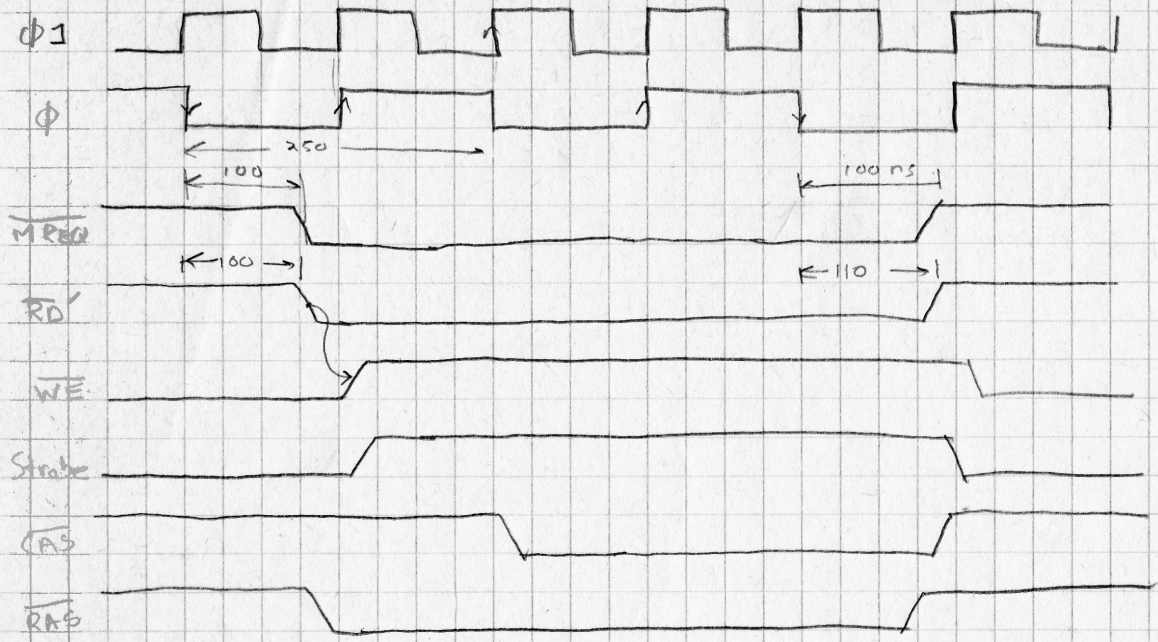
SEPM-TECH PHILAELECTRONICS CORPORATION, TORONTO, ONTARIO, CANADA		
DATE	APPROVED BY	DESIGN BY K. TAM
DATE AUG 19, 82	<i>[Signature]</i>	REVISED BY K. TAM
REVISED ON NOV 8, 1982		
REVISED ON JAN 12, 1983		
SHEET 1 OF 6	DRAWING NUMBER 06-200000-00	

REVISIONS						
ZONE	REV	DESCRIPTION	DATE	DFT	CHK	APPROVED
10	01	ADD CR5, CR6, CR7, CR8, CR9, CR10, CR11, CR12 FOR THE PURPOSE OF ISOLATING	03 04 15	MS		



QUANTITY PER TABULATION	LITER NO.	PART NUMBER	DESCRIPTION
PARTS LIST			
UNLESS OTHERWISE SPECIFIED DIMENSIONS ARE IN INCHES .00-1.01 .000-1.005 ANGLE-10° 30'	SIGNATURE	DATE	SEMI-TECH MICROELECTRONICS CORPORATION TORONTO, ONTARIO, CANADA
MATERIAL	CHK BY	DATE	TITLE
SPEC.	ENGR	DATE	PIED PIPER
FINISH	APVD		KEYBOARD SCHEMATIC
SPEC.	APVD		SIZE TYPE CODE DWG NO. REV
			D 06 20000002 00
			SCALE N/A SHEET 1 OF 1

Pied Piper Memory Timing



D
C
B
A

