



PT-210

Portable Data Terminal

Operation Manual



CUSTOM MANUFACTURED FOR RADIO SHACK, A DIVISION OF TANDY CORPORATION

SERVICE POLICY

Radio Shack's nationwide network of service facilities provides quick, convenient, and reliable repair services for all of its computer products, in most instances. Warranty service will be performed in accordance with Radio Shack's Limited Warranty. Non-warranty service will be provided at reasonable parts and labor costs.

Because of the sensitivity of computer equipment, and the problems which can result from improper servicing, the following limitations also apply to the services offered by Radio Shack:

1. If any of the warranty seals on any Radio Shack computer products are broken, Radio Shack reserves the right to refuse to service the equipment or to void any remaining warranty on the equipment.
2. If any Radio Shack computer equipment has been modified so that it is not within manufacturer's specifications, including, but not limited to, the installation of any non-Radio Shack parts, components, or replacement boards, then Radio Shack reserves the right to refuse to service the equipment, void any remaining warranty, remove and replace any non-Radio Shack part found in the equipment, and perform whatever modifications are necessary to return the equipment to original factory manufacturer's specifications.
3. The cost for the labor and parts required to return the Radio Shack computer equipment to original manufacturer's specifications will be charged to the customer in addition to the normal repair charge.

TERMS AND CONDITIONS OF SALE AND LICENSE OF RADIO SHACK COMPUTER EQUIPMENT AND SOFTWARE
PURCHASED FROM A RADIO SHACK COMPANY-OWNED COMPUTER CENTER, RETAIL STORE OR FROM A
RADIO SHACK FRANCHISEE OR DEALER AT ITS AUTHORIZED LOCATION

LIMITED WARRANTY

I. CUSTOMER OBLIGATIONS

- A. CUSTOMER assumes full responsibility that this Radio Shack computer hardware purchased (the "Equipment"), and any copies of Radio Shack software included with the Equipment or licensed separately (the "Software") meets the specifications, capacity, capabilities, versatility, and other requirements of CUSTOMER.
- B. CUSTOMER assumes full responsibility for the condition and effectiveness of the operating environment in which the Equipment and Software are to function, and for its installation.

II. RADIO SHACK LIMITED WARRANTIES AND CONDITIONS OF SALE

- A. For a period of ninety (90) calendar days from the date of the Radio Shack sales document received upon purchase of the Equipment, RADIO SHACK warrants to the original CUSTOMER that the Equipment and the medium upon which the Software is stored is free from manufacturing defects. THIS WARRANTY IS ONLY APPLICABLE TO PURCHASES OF RADIO SHACK EQUIPMENT BY THE ORIGINAL CUSTOMER FROM RADIO SHACK COMPANY-OWNED COMPUTER CENTERS, RETAIL STORES AND FROM RADIO SHACK FRANCHISEES AND DEALERS AT ITS AUTHORIZED LOCATION. The warranty is void if the Equipment's case or cabinet has been opened, or if the Equipment or Software has been subjected to improper or abnormal use. If a manufacturing defect is discovered during the stated warranty period, the defective Equipment must be returned to a Radio Shack Computer Center, a Radio Shack retail store, participating Radio Shack franchisee or Radio Shack dealer for repair, along with a copy of the sales document or lease agreement. The original CUSTOMER'S sole and exclusive remedy in the event of a defect is limited to the correction of the defect by repair, replacement, or refund of the purchase price, at RADIO SHACK'S election and sole expense. RADIO SHACK has no obligation to replace or repair expendable items.
- B. RADIO SHACK makes no warranty as to the design, capability, capacity, or suitability for use of the Software, except as provided in this paragraph. Software is licensed on an "AS IS" basis, without warranty. The original CUSTOMER'S exclusive remedy, in the event of a Software manufacturing defect, is its repair or replacement within thirty (30) calendar days of the date of the Radio Shack sales document received upon license of the Software. The defective Software shall be returned to a Radio Shack Computer Center, a Radio Shack retail store, participating Radio Shack franchisee or Radio Shack dealer along with the sales document.
- C. Except as provided herein no employee, agent, franchisee, dealer or other person is authorized to give any warranties of any nature on behalf of RADIO SHACK.
- D. Except as provided herein, RADIO SHACK MAKES NO WARRANTIES, INCLUDING WARRANTIES OF MERCHANTABILITY OR FITNESS FOR A PARTICULAR PURPOSE.
- E. Some states do not allow limitations on how long an implied warranty lasts, so the above limitation(s) may not apply to CUSTOMER.

III. LIMITATION OF LIABILITY

- A. EXCEPT AS PROVIDED HEREIN, RADIO SHACK SHALL HAVE NO LIABILITY OR RESPONSIBILITY TO CUSTOMER OR ANY OTHER PERSON OR ENTITY WITH RESPECT TO ANY LIABILITY, LOSS OR DAMAGE CAUSED OR ALLEGED TO BE CAUSED DIRECTLY OR INDIRECTLY BY "EQUIPMENT" OR "SOFTWARE" SOLD, LEASED, LICENSED OR FURNISHED BY RADIO SHACK, INCLUDING, BUT NOT LIMITED TO, ANY INTERRUPTION OF SERVICE, LOSS OF BUSINESS OR ANTICIPATORY PROFITS OR CONSEQUENTIAL DAMAGES RESULTING FROM THE USE OR OPERATION OF THE "EQUIPMENT" OR "SOFTWARE" IN NO EVENT SHALL RADIO SHACK BE LIABLE FOR LOSS OF PROFITS, OR ANY INDIRECT, SPECIAL, OR CONSEQUENTIAL DAMAGES ARISING OUT OF ANY BREACH OF THIS WARRANTY OR IN ANY MANNER ARISING OUT OF OR CONNECTED WITH THE SALE, LEASE, LICENSE, USE OR ANTICIPATED USE OF THE "EQUIPMENT" OR "SOFTWARE".
NOTWITHSTANDING THE ABOVE LIMITATIONS AND WARRANTIES, RADIO SHACK'S LIABILITY HEREUNDER FOR DAMAGES INCURRED BY CUSTOMER OR OTHERS SHALL NOT EXCEED THE AMOUNT PAID BY CUSTOMER FOR THE PARTICULAR "EQUIPMENT" OR "SOFTWARE" INVOLVED.
- B. RADIO SHACK shall not be liable for any damages caused by delay in delivering or furnishing Equipment and/or Software.
- C. No action arising out of any claimed breach of this Warranty or transactions under this Warranty may be brought more than two (2) years after the cause of action has accrued or more than four (4) years after the date of the Radio Shack sales document for the Equipment or Software, whichever first occurs.
- D. Some states do not allow the limitation or exclusion of incidental or consequential damages, so the above limitation(s) or exclusion(s) may not apply to CUSTOMER.

IV. RADIO SHACK SOFTWARE LICENSE

RADIO SHACK grants to CUSTOMER a non-exclusive, paid-up license to use the RADIO SHACK Software on one computer, subject to the following provisions:

- A. Except as otherwise provided in this Software License, applicable copyright laws shall apply to the Software.
- B. Title to the medium on which the Software is recorded (cassette and/or diskette) or stored (ROM) is transferred to CUSTOMER, but not title to the Software.
- C. CUSTOMER may use Software on one host computer and access that Software through one or more terminals if the Software permits this function.
- D. CUSTOMER shall not use, make, manufacture, or reproduce copies of Software except for use on one computer and as is specifically provided in this Software License. Customer is expressly prohibited from disassembling the Software.
- E. CUSTOMER is permitted to make additional copies of the Software only for backup or archival purposes or if additional copies are required in the operation of one computer with the Software, but only to the extent the Software allows a backup copy to be made. However, for TRSDOS Software, CUSTOMER is permitted to make a limited number of additional copies for CUSTOMER'S own use.
- F. CUSTOMER may resell or distribute unmodified copies of the Software provided CUSTOMER has purchased one copy of the Software for each one sold or distributed. The provisions of this Software License shall also be applicable to third parties receiving copies of the Software from CUSTOMER.
- G. All copyright notices shall be retained on all copies of the Software.

V. APPLICABILITY OF WARRANTY

- A. The terms and conditions of this Warranty are applicable as between RADIO SHACK and CUSTOMER to either a sale of the Equipment and/or Software License to CUSTOMER or to a transaction whereby RADIO SHACK sells or conveys such Equipment to a third party for lease to CUSTOMER.
- B. The limitations of liability and Warranty provisions herein shall inure to the benefit of RADIO SHACK, the author, owner and/or licensor of the Software and any manufacturer of the Equipment sold by RADIO SHACK.

VI. STATE LAW RIGHTS

The warranties granted herein give the original CUSTOMER specific legal rights, and the original CUSTOMER may have other rights which vary from state to state.

Contents

Introduction	7
1/ What is a Data Terminal?	9
2/ Description of the PT-210	10
Front View	10
Rear Compartment	11
Rear View	12
Keyboard	13
3/ Setting up the PT-210	15
Connecting the PT-210 to a Power Source	15
Paper Loading	15
4/ Using the PT-210	17
Setting the Communication Protocol Switches	17
Using the PT-210 with a Host Computer	19
5/ Care and Maintenance of the PT-210	20
6/ Specifications	21
Appendix A/ASCII Codes	22
Appendix B/Installing and Using the Optional RS-232C Interface	25
Appendix C/ Glossary	29
Appendix D/Schematic Diagrams	30

Introduction

The PT-210 is a portable data terminal **that links** you to a “host” computer which may be either hundreds of miles away or in the **same room**.

To communicate with a Host that is **some distance** away, connect the PT-210 to a telephone through **the Terminal’s built-in acoustic coupler**. Or you can install the optional/extra PT-210 RS-232C Interface (Radio Shack Catalog Number 76-1002) and connect the Terminal to a direct-connect modem such as the TRS-80 Modem I (26-1172), the **auto-dial/answer Modem II** (26-1173), or the high-speed, direct-connect DC-1200 Modem (76-1005).

With the RS-232C Interface installed, you can **also** connect the PT-210 to a host computer directly.

The PT-210 communicates with the host computer in ASCII code through a standard keyboard. For “hard-copy” output, the PT-210 uses an ultra-silent, thermal printer.

Other special features of the PT-210 include a:

- 53-key keyboard that can be reconfigured to a 13-key numeric pad and which conforms to standard data terminal keyboard format.
- Thermal printer which uses 8 1/2” thermal paper for “hard-copy” output.
- Selectable baud rate and parity.

1/ What is a Data Terminal?

There are three parts to a terminal:

- **The Keyboard**, where you enter data.
- **The Printer**, where the data is displayed **in visible** form.
- **The Input/Output Channel**, where the **Terminal** communicates with the Computer.

When you connect a PT-210 to a power source **and set** the Power Switch to ON, nothing really happens unless the Terminal is connected to a **"Host" computer**. The Host is the controlling computer. Consequently, the operation and capabilities of **your Data** terminals are limited only by the limitations of the Host Computer — your Terminal can **only do** what the Host lets it do and no more! For instance, your PT-210 cannot store programs or **data itself**, but it can access information stored by the Host System.

Note that different Host Systems do not operate **the same**. In fact, they may even recognize keys differently. If you press a key on the Terminal **when it is** connected to one Host, the reaction may be **totally** different than when you press the same **Terminal** key when it is connected to a different Host! **In other** words, the specific operation of your **PT-210** depends upon the Host that is in control. Consequently, good Data Terminals (like the PT-210) **must** be designed to operate with a variety of different Hosts.

Where is the Host Computer?

The Host computer may be located near the PT-210 (**directly** connected through the optional RS-232C Interface), or it may be hundreds of miles away **and connected** to your Terminal via the built-in acoustic coupler (or a modem) and telephone lines.

Can a PT-210 Communicate with Another PT-210?

Yes, two PT-210's can communicate (e.g., you and **another** PT-210 user can "talk" by typing on the **keyboard**), but that's all they can do. They can't **process or store** any information unless they're **connected** to a Host.

2/ Description of the PT-210

Before you begin using the PT-210, it's important that you become familiar with it. This section will describe the PT-210 and its special function keys. However, remember the description of a particular key (e.g., what it does) may differ from Host to Host.

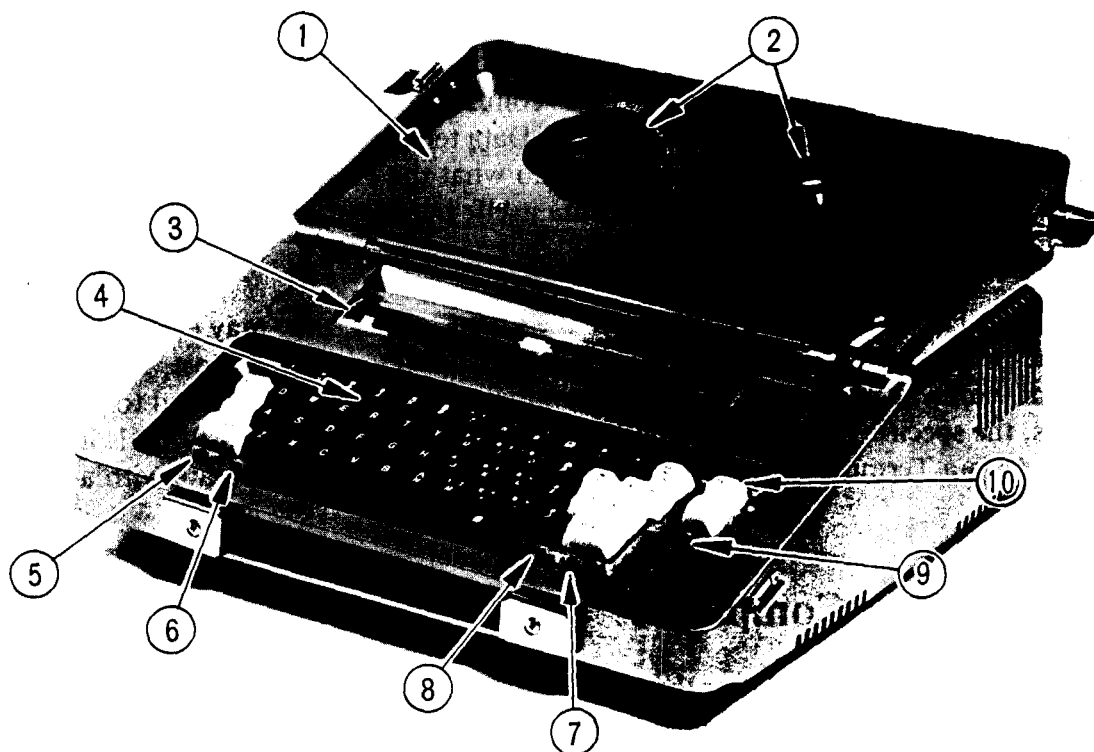


Figure 1. PT-210 (Front View)

- ① **Top Cover.** Be sure this Cover is closed and latched **before** you move the PT-210. You'll have to open the Cover to gain access to the Acoustic Coupler but close it to gain access to the Rear Compartment.
- ② **Acoustic Coupler.** Place the phone headset into this modem (phone cord to the left) once you've dialed the Host by telephone and it has "answered" the call.
- ③ **Print Head.** The Print Head moves to the left and right as printing occurs. Do not print without paper in the PT-210. Use only Radio Shack Thermal Paper (76-1003) which is compatible with your Terminal.
- ④ **Keyboard.** The standard, typewriter-styled Keyboard can be "switched over" for 13-key applications (See Figures 4 and 5.)
- ⑤ **Numeric Switch.** Set this Switch to ON when you want to re-define the keyboard for 13-key use.

- ⑥ **POWER On Indicator.** This red Indicator will light up when the PT-210 is properly connected and the Power Switch is set to ON.
- ⑦ **CARRIER Indicator.** This green Indicator will illuminate when you've established communication with the Host.
- ⑧ **ERROR Indicator.** This red Indicator will light up when a parity (odd or even) error is detected. You will have to reset the Terminal by turning the Power OFF, then back ON.
- ⑨ **Communications Protocol Panel.** Before beginning communications with a Host, set these Switches to select baud rate (SPEED), duplex (HALF or FULL), and mode (ON-LINE or OFF-LINE).
- ⑩ **PAPER ADVANCE Key.** When you need to advance the paper, press this Key.

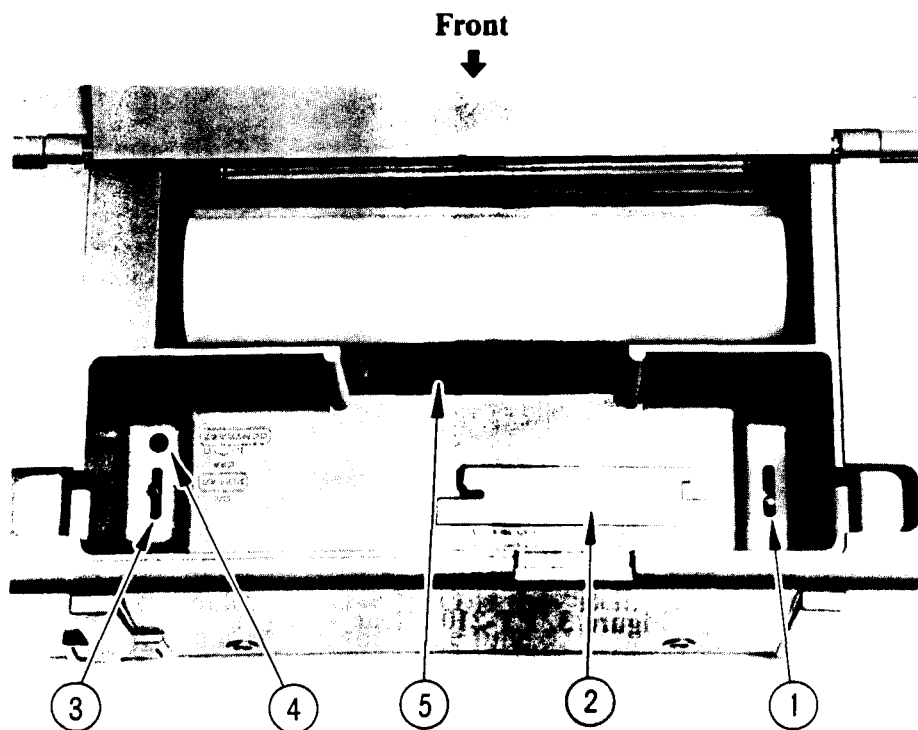


Figure 2. PT-210 (Rear Compartment)

Note that the Top Cover must be closed before you can gain access to the Rear Compartment. This compartment is also used to store the Power Cord.

- ① **PARITY Switch.** Set this Switch to EVEN, ODD, or NONE (no parity).
- ② **RS-232C Connector.** This Connector is an optional/extra item that allows you to connect the Terminal to a direct-connect modem or directly to a Host Computer. See Appendix B for specific details on installing and using the RS-232C option, including setting the COMM/TERM and RS232C/MODEM Switches.

- ③ **POWER ON/OFF Switch.** Set this Switch to ON before using the PT-210. After Switching Power OFF, wait at least 5 seconds before switching power on again.
- ④ **Print Contrast Switch.** If printing is too light, turn this Switch clockwise. If printing is too dark, turn the Switch counterclockwise. (Requires a small, phillips-head screwdriver.)
- ⑤ **Paper Compartment.**

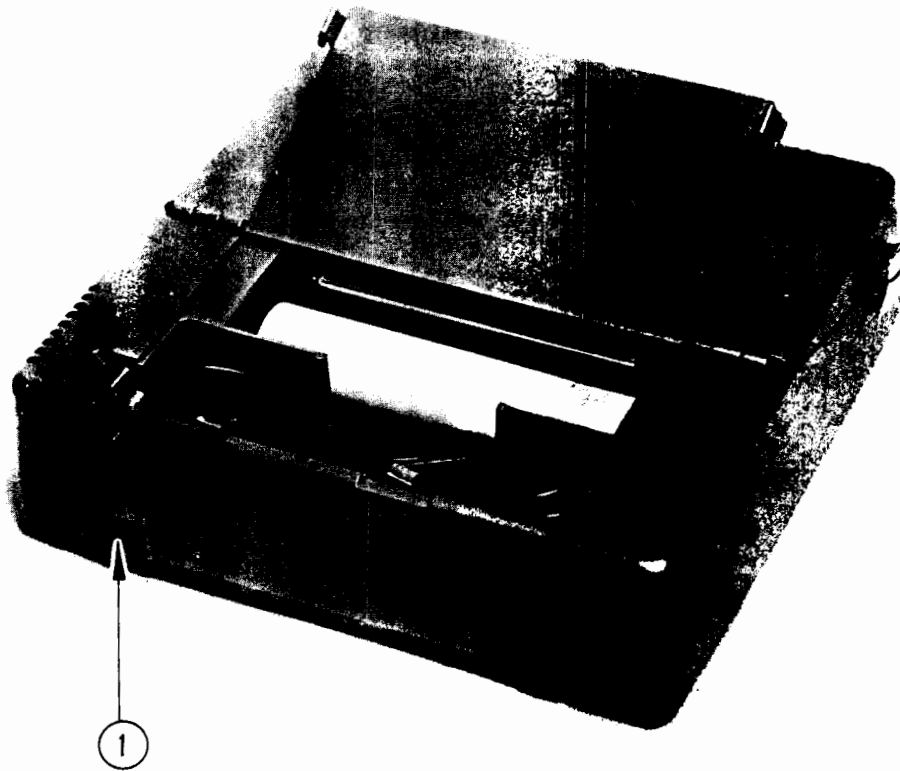


Figure 3. PT-210 (Rear View)

- ① **Power Cord Connector.** Before connecting the supplied Power Cord to the Terminal, gently pull out on the protector to gain access to the Power Cord connector.

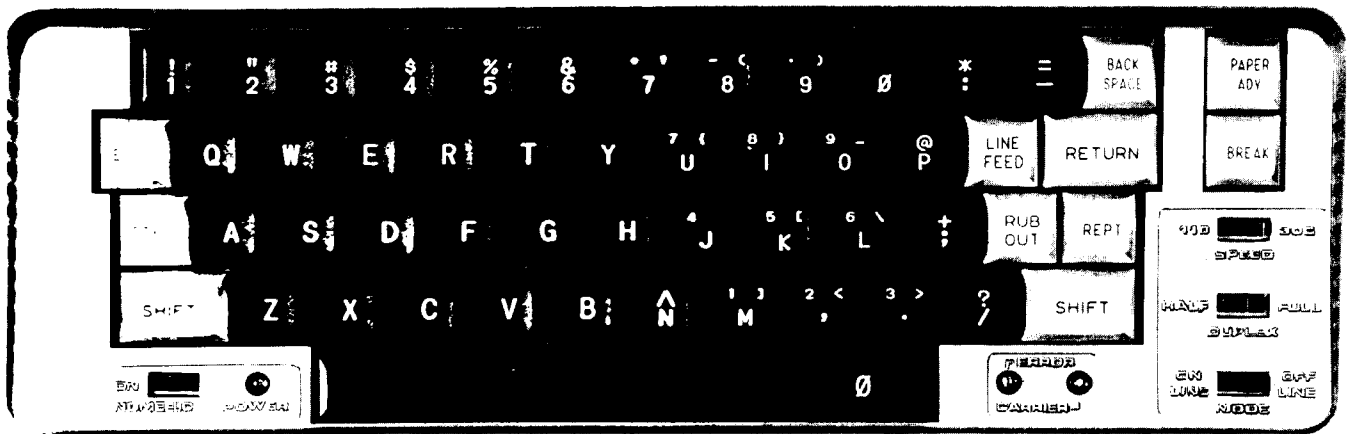


Figure 4. PT-210 Keyboard

The Keyboard (Which is patterned after a standard typewriter keyboard) can also be used as convenient 13-key numeric entry. In the normal operation mode, all keys are used normally. In Numeric Mode, 13 of the keys print numerals on symbols and the other keys are inactive.

The 13-key pad is activated when the NUMERIC Switch is set to ON. When this Switch is set to ON, only the keys with the small numbers in the upper-left corners are recognized. These keys are arranged like a standard 10-key pad. Note that the 5 (e.g., the letter K key) has a small, raised dot on its surface so you can find it easily.

When the NUMERIC Switch is set to ON, SPACEBAR is redefined as the zero (0) key. (That is, instead of pressing 0 to send a zero, press SPACEBAR).

CTRL

This is the "control" key. Holding CTRL down while pressing any other key will send a special message to the Host. For example, CONTROL G is the "Bell." To ring the bell (e.g., sound the PT-210 buzzer), press CTRL and G at the same time.

Note that if you press a key-combination (such as CTRL A), the ASCII code sent to the Host is different from pressing A by itself. For a complete description of the ASCII codes sent by the PT-210, see **Appendix A**.

BACK SPACE

Pressing this key will backspace the Print Head (e.g., it moves the Print Head one space to the left so a character may be re-typed). The second character will overstrike the first.

RUB OUT

This is the delete key which is used to delete the character just sent. It sends ASCII the 127 to the Host and will echo ± to the PT-210.

BREAK

This key generally means "interrupt." Pressing **BREAK** sends "continuous space" to the Host.

RETURN

This key is similar to the typewriter's carriage return and tells the Host to accept the data typed since the last carriage return. This key sends ASCII 13 (CTRL-M) to the Host and is the Carriage Return. Most Host Computers will echo both a Carriage Return and a Line Feed (ASCII 10) when this character is received.

ESC

When you press **ESC**, the next key you press will have a special meaning. This enables the Keyboard to be used as a bank of switches to perform operations such as turning printers off and on. The **ESC** key sends ASCII 27 to the Host.

LINE FEED

Pressing this key usually causes the Host to move down one line without returning it to the left margin. This key sends ASCII 10 to the Host.

Caution: Do not press any printable character keys unless paper is loaded.
Damage to the printhead and platen could result.

3/ Setting-Up the PT-210

Before using the PT-210, place the **Terminal** on a level, solid surface and be sure the paper is properly loaded.

Connecting the PT-210 to a Power Source

The Power Cord is stored in the Rear Compartment. To connect the PT-210 to a power source:

1. Remove the cap which covers the power connector on the rear of the PT-210.
2. Insert the appropriate end of the Power Cord into the connector.
3. Connect the other end of the Cord to a 115VAC, 60Hz wall-outlet or approved power strip (such as the Radio Shack Plug-In Power Strip, 61-2610, or Automatic Power Controller, (26-1429).

Electrical requirements for the PT-210 are listed in the **Specifications** section of this manual and on the Terminal itself.

Paper Loading

Do not use any paper except paper which is included **with** the PT-210. When you need to order more paper, request Catalog Number 76-1003 from **your** Radio Shack Computer Center or Computer Department.

Before loading the paper, remove the wrapper from **the** paper roll. If the end of the paper is not squarely at right angles to the feed direction, cut it **square** with scissors (or cut the corners at an angle to make paper feeding easier. See Figure 6).

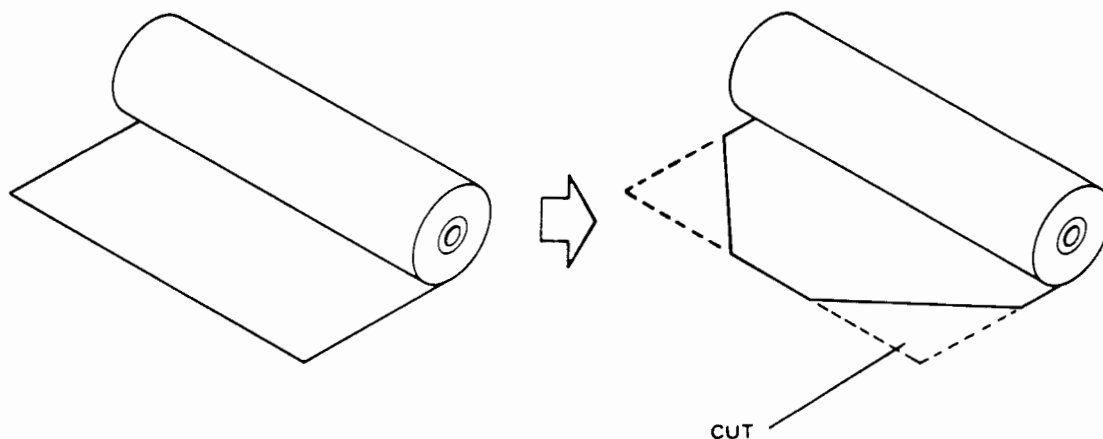


Figure 6. Preparing **Paper** for Loading

To Load Paper into the PT-210:

1. Open the Rear Compartment Cover and set the paper in the Paper Compartment.
2. Set the POWER ON/OFF Switch to ON.
3. Feed the paper over the Tension Roller (1) and down through the Paper Slot (2) and Platen (3) until it appears behind the plastic window.

The paper will not slide behind the Print Head because the Head is pressed against the Platen.

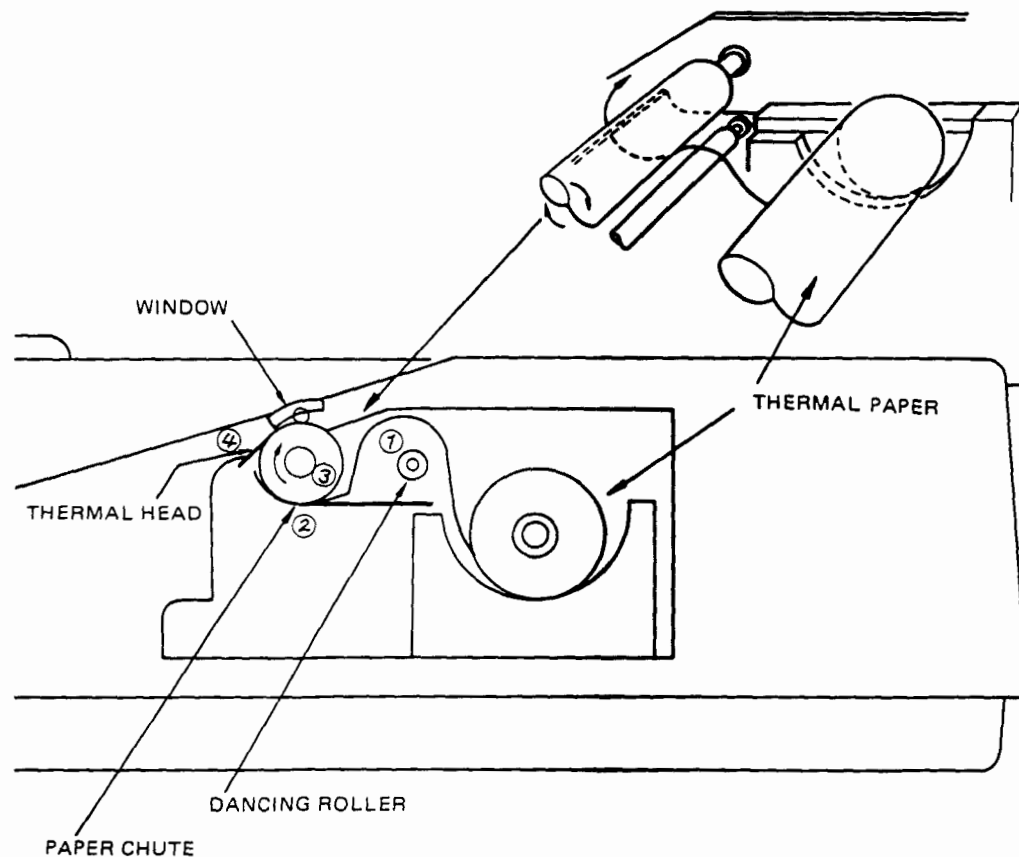


Figure 7. Paper Flow

4. Press **PAPER ADV** until the paper feeds behind the Print Head and out from under the plastic window.

Connecting the PT-210 to a Host Computer

There are several ways to connect the PT-210 to a Host Computer. For details on making the connections, see the section of this manual entitled **Using the PT-210**.

4/ Using the PT-210

Set the POWER Switch to ON. The red **POWER** Indicator will illuminate and the Print Head will move to the left margin.

If the Print Head is already at the left margin, it will not move. If the Host is sending a Cursor (e.g., an indicator that tells you the current position the Host is using), it will be printed although you probably won't be able to see the Cursor until the Print Head moves.

Setting the Communication Protocol Switches

Before beginning communications, the communication protocol (e.g., baud, parity, etc.) between the Host and your PT-210 must match. Find out what protocol the Host is using, then set the PT-210 accordingly (or vice versa).

Three protocol switches on the PT-210 are located on the Communications Protocol Panel on the Keyboard. They are:

- SPEED Switch which selects either 110 or 300 **baud**.
- DUPLEX Switch which selects either **HALF** or **FULL** Duplex.
- MODE Switch which selects the Transmission **Mode** (ON-LINE or OFF-LINE).

The other Protocol Switch (PARITY Select) is located inside the Rear Compartment.

PARITY Select Switch

The PARITY Select Switch is located on the left-side of the Paper Holder in the Rear Compartment. You can set this Switch to:

- EVEN Parity.
- ODD Parity.
- NONE (No Parity).

This Switch determines whether or not the PT-210 **will send a parity bit** with the transmitted word. It also activates parity checking when the **PT-210 is receiving characters**.

If a parity error occurs, the red ERROR Indicator **comes on and** backward question mark (?) will be printed.

If NONE (No Parity) is selected, parity is not sent or **checked** and the ERROR Indicator will not illuminate under any conditions.

BAUD Select Switch

The PT-210 is designed to communicate at either 110 or 300 baud (“bits per second”). Find out the baud rate of the Host System, then set this Switch to:

- 110.
- 300.

When the PT-210 is set to 110 baud, the Printer will operate at 10 characters per second; if set to 300 baud, the Printer will print at 30 characters per second.

DUPLEX Select Switch

The PT-210 can operate in two duplex modes:

- Full.
- Half.

If the Host computer “echos” every character it receives from the PT-210, then set this Switch to FULL. You will see the received character and know that it was correctly received and echoed by the Host Computer.

If the Host Computer does not echo characters, you must select HALF Duplex to see what you are typing. In HALF Duplex Mode, the PT-210 (rather than the Host) prints the characters on the paper.

If you set the PT-210 to Half Duplex and the Host is echoing the character, you will see two of each character on the Paper — one character will be from the PT-210 and the other echoed from the Host.

If this happens and you want to see only one character, simply set the Switch to FULL.

MODE Select (OFF-LINE or ON-LINE)

This Switch must be set to ON-LINE before you can **begin** communication with the Host System.

If this Switch is set to OFF-LINE, two things can **happen**:

- The Self-Test can be performed.
- The PT-210 can be disconnected from the **telephone line** and used like a portable typewriter.

It's a good idea to run the Self-Test before establishing **communications** with a Host Computer. To run the self-test:

1. Set the MODE Switch to HALF.
2. Set the SPEED Switch to 300.

3. While pressing the **REPT** key, **set the Power Switch to ON.**

The PT-210 should begin printing its **entire** character set and will continue until you set the Power Switch to OFF.

To use the PT-210 as a portable **typewriter**, **set** the MODE Switch to OFF-LINE and the NUMERIC Switch to OFF. Then **simply type on** the Keyboard like you would a normal typewriter. However, to perform a **carriage return**, you'll need to press **RETURN** (to return the Print Head to the left margin) and **LINE FEED** (to advance to the next line).

Using the PT-210 with a Host Computer

You can connect the PT-210 to a Host Computer via the built-in acoustic coupler or via the optional RS-232C Interface. For details on using the PT-210 optional RS-232C Interface, see **Appendix B.**

In either instance, you'll have to set the Switches on the Communication Protocol Panel to match the Host. This must be done before you begin **communications** with the Host.

1. Set all the Switches as specified by the Host Computer. The MODE Switch should be set to the ON-LINE position.
2. Dial the telephone number of the Host Computer.
3. The Host will answer the phone and send a **high-pitched** tone. This is the Answer Carrier.
4. When you hear the Answer Carrier, **immediately** place the phone handset into the rubber acoustic cups (with the cord on the left).
5. The **green** CARRIER Indicator should illuminate.
6. Begin the log-on procedure the Host requires. **Each Host** will have its own requirements.
7. If the green light goes out, you have "lost carrier". **This** means that the Host has hung up. You will have to start over at Step #2.

To disconnect from the Host, follow the Host's **procedures** for signing off.

If you have repeated errors on power-up because of **outside noise** interference, set the MODE Switch to OFF-LINE before dialing the telephone **number of the Host Computer.** Set the Switch to ON-LINE after placing the handset into the acoustic **cups.**

5/ Care and Maintenance

Your PT-210 is a reliable device which should provide you with **years of trouble-free service**. However, the first thing to do in case of trouble is to see if the **trouble** is in the PT-210 or in the System.

The red Power on Indicator does not illuminate.

- Is the outlet "live"?
- Are you connected to a suitable source?
- Are the connections firmly made?

Incorrect or missing data through the acoustic coupler.

- Are the MODE, DUPLEX and SPEED Switches **set correctly**?
- Is the Host Computer on-line and sending a **carrier tone**?
- Is the telephone handset seated firmly into the **rubber cups**, with the Transmitter (the part you speak into) to the left?

Extra characters and missing characters.

- This is caused by noise on the phone line, **someone picking up an extension phone**, "Call Waiting" indicators, a PBX operator testing your **line**, etc.

The Printer does not print.

- Has some small object fallen inside the mechanism, **causing** it to jam?
- Do you need to adjust the printing Contrast?

Communication using the RS-232C Interface has problems.

- Is the RS-232C cable to the interface unit installed **correctly**?
- Are the RS232C/MODEM and COMM/TERM **switches** on the Interface Unit set correctly?

Hints and Tips...

- Be sure the parameters are correct for your **System**.
- Be sure to use the correct baud rate for the **Host modem**.
- Be sure the Host Computer has its RS-232C **channel properly** configured.

6/Specifications

Control

Communication Method

Start-Stop Asynchronous

Speed

110 Baud (11 bit character)

300 Baud (10 bit character)

Communication Mode

Full/Half Duplex

Line Buffer

48 characters (receive)

Printer

Method

5 × 7 dot-matrix Thermal

Paper

Radio Shack 76-1003 8 1/2" (100 ft.)

Character Set

71 Printable 2.7mm × 2.0mm Characters.

Carriage Return Time

<0.80 seconds (OFF LINE)

<0.86 seconds (ON LINE)

Line Feed Time

<0.03 seconds (continuous step)

<0.05 seconds (single step)

Acoustic Coupler

Bell System 103A Equivalent

Mode

Originate

RS-232C Interface

Radio Shack 76-1002

Power Requirements

105-135 VAC (75 watts) 60 Hz

Temperature Range

50° to 95°F (10° to 35°C)

Humidity Range

10% to 80% relative non-condensing

Size

15.7" × 14.6" × 4.9" (40.0cm × 37.2cm × 12.5cm)

Weight

15.0 lbs (6.8kg)

Appendix A/ The ASCII Character Set

The PT-210 will output and receive all 128 ASCII codes. The following is a list of these codes and the keys used to produce them.

Dec	Hex	Oct	Key	Dec	Hex	Oct	Key
0	00	000	CTRL 0	64	40	100	@
1	01	001	CTRL A	65	41	101	A
2	02	002	CTRL B	66	42	102	B
3	03	003	CTRL C	67	43	103	C
4	04	004	CTRL D	68	44	104	D
5	05	005	CTRL E	69	45	105	E
6	06	006	CTRL F	70	46	106	F
7	07	007	CTRL G	71	47	107	G
8	08	010	CTRL H	72	48	110	H
9	09	011	CTRL I	73	49	111	I
10	0A	012	LINE FEED	74	4A	112	J
11	0B	013	CTRL K	75	4B	113	K
12	0C	014	CTRL L	76	4C	114	L
13	0D	015	RETURN	77	4D	115	M
14	0E	016	CTRL N	78	4E	116	N
15	0F	017	CTRL O	79	4F	117	O
16	10	020	CTRL P	80	50	120	P
17	11	021	CTRL Q	81	51	121	Q
18	12	022	CTRL R	82	52	122	R
19	13	023	CTRL S	83	53	123	S
20	14	024	CTRL T	84	54	124	T
21	15	025	CTRL U	85	55	125	U
22	16	026	CTRL V	86	56	126	V
23	17	027	CTRL W	87	57	127	W
24	18	030	CTRL X	88	58	130	X

DEC	Hex	Oct	Key	Dec	Hex	Oct	Key
25	19	031	CTRL Y	89	59	131	Y
26	1A	032	CTRL Z	90	5A	132	Z
27	1B	033	ESCAPE	91	5B	133	[
28	1C	034	CTRL ,	92	5C	134	/
29	1D	035	CTRL -	93	5D	135]
30	1E	036	CTRL .	94	5E	136	~
31	1F	037	CTRL /	95	5F	137	—
32	20	040	SPACE	96	60	140	,
33	21	041	!	97	61	141	a
34	22	042	"	98	62	142	b
35	23	043	#	99	63	143	c
36	24	044	\$	100	64	144	d
37	25	045	%	101	65	145	e
38	26	046	&	102	66	146	f
39	27	047	'	103	67	147	g
40	28	050	(104	68	150	h
41	29	051)	105	69	151	i
42	2A	052	*	106	6A	152	j
43	2B	053	+	107	6B	153	k
44	2C	054	,	108	6C	154	l
45	2D	055	-	109	6D	155	m
46	2E	056	.	110	6E	156	n
47	2F	057	/	111	6F	157	o
48	30	060	0	112	70	160	p
49	31	061	1	113	71	161	q
50	32	062	2	114	72	162	r
51	33	063	3	115	73	163	s
52	34	064	4	116	74	164	t
53	35	065	5	117	75	165	u
54	36	066	6	118	76	166	v
55	37	067	7	119	77	167	w
56	38	070	8	120	78	170	x
57	39	071	9	121	79	171	y
58	3A	072	:	122	7A	172	z
59	3B	073	;	123	7B	173	[
60	3C	074	<	124	7C	174	:
61	3D	075	=	125	7D	175]
62	3E	076	>	126	7E	176	~
63	3F	077	?	127	7F	177	RUB OUT

Note: Lower case letters are translated to uppercase equipments when received by the terminal.

Control Codes

The PT-210 will transmit all 128 ASCII characters, and it recognizes four ASCII Control Codes.

Control Code	Explanation
CTRL-G (ASCII 7)	Beeps the "bell" in the PT-210.
CTRL-H (ASCH 8)	Backspace. Moves the Cursor one column to the left.
CTRL-J (ASCII 10)	Line Feed. Advances the paper one line vertically. The Cursor does not return to the left margin.
CTRL-M (ASCII 13)	Carriage Return. The Cursor moves to the left margin. A Line Feed daes not occur.

Printing on the next line requires both a CTRL-M and a CTRL-J to be sent to the PT-210 by the Host.

Appendix B/ RS-232C Interface (Optional/Extra)

Installing the RS-232C Interface Board

Before installing the RS-232C Interface kit, **be sure** the PT-210 power is OFF.

1. Remove the lid which covers the RS-232C Interface slot in the rear of the PT-210.
2. Carefully insert the RS-232C Interface Card into the grooves on the sides of the hole. The Card will only go in one way.
3. Slide the card down the grooves until the **plug seats** firmly into the jack at the bottom. The DB-25 jack will protrude from the top of the hole. See Figure 8.

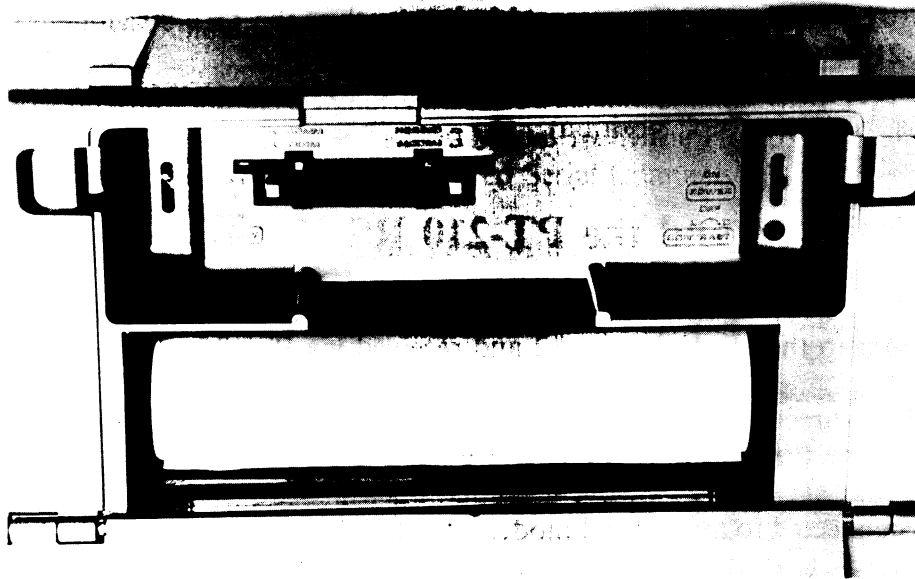


Figure 8. RS-232C Interface Card Installed

Using the RS-232C Interface

The RS-232C Interface connector has two switches:

- RS-232C/MODEM Select.
- COMM/TERM Select.

Before changing the switches, be sure the PT-210 Power is off.

If you are using the PT-210 built-in acoustic coupler to communicate with a Host, the RS-232C/MODEM Select must be set to MODEM (e.g., in the “up” position). In cases such as this, the setting of the COMM/TERM Select doesn’t matter.

However, when you connect the PT-210 to an external device via the RS-232C Interface, set the RS-232C/MODEM Select to RS-232C (e.g., the “down” position). In this case, the setting of the COMM/TERM Select is very important.

- If the Host is a TRS-80 Model II, III, 16, or DT-1, set the PT-210 COMM/TERM Select to COMM (e.g., it must be in the “down” position).
- If the PT-210 is connected to an external Modem (such as the TRS-80 Modem I, II, or DC-1200), set the PT-210’s COMM/TERM Select to TERM.
- If the Host is a non-Radio Shack Computer, set the PT-210 COMM/TERM Select to TERM (e.g., it must be in the “up” position).

Data Transmission and the PT-210 RS-232C

When the PT-210 is direct-connected to a Host Computer and the COMM/TERM Select is set to TERM, data is sent to the Host via Pin #2 and received via Pin #3.

When the PT-210 is direct-connected to a Host and the COMM/TERM Select is set to COMM, data is sent to the Host via Pin #3 and received via Pin #2.

If the PT-210 is connected to an external modem, the PT-210 acts as the terminal and data is sent via Pin #2 and received via Pin #3.

Note: When the PT-210 RS-232C/MODEM Switch is set to RS-232C, the setting of the DUPLEX Switch has no effect on communications.

Using the RS-232C to Connect the PT-210 to a Modem

1. Connect a RS-232C Cable (26-1408) from the RS-232C Jack on the PT-210 to the RS-232C Jack on the modem.
2. Connect the modem to the telephone line, following the instructions in the modem operation manual.
3. Set the MODE Switch on the PT-210 to ON-LINE.
4. Set the MODEM/RS-232C Switch to RS-232C (press down).
5. Set the COMM/TERM Switch to TERM (up position).
See the modem operation manual for more details.

Using the RS-232C Interface for Direct Connection

If you connect the PT-210 to the Host Computer directly, the Terminal and the Host are usually located in the same room or building.

The RS-232C Interface provides standard signals and can be used to connect the PT-210 to any on-site computer terminal facility. This includes the TRS-80 Model 16. If the Host is a TRS-80 Model II or 16, be sure to insert a Terminator Plug into any unused Serial Channels.

For direct connection, connect the PT-210 to the Host with a DB-25 RS-232C cable (26-1408).

1. Connect one end of the cable to the RS-232C Interface Jack on the PT-210.
2. Connect the other end of the cable to the Serial Channel on the Host System.

Follow the instructions from the Host System.

RS-232C Interface Specifications

Method: Asynchronous, serial by bit, serial by character.

Code: ASCII, 11 bits per character including parity, start, and two stop bits at 110 baud, 10 bits per character, one stop bit at 300 baud.

Parity: Odd, even, or none.

=====
Standard RS-232C Interface
=====

Signal	Function	Pin #
PG	Protective Ground	1
TD	Transmit Data	2
RD	Receive data	3
RTS	Request to Send	4
CTS	Clear to Send	5
DSR	Data Set Ready	6
SG	Signal Ground	7
CD	Carrier Detect	8
DTR	Data Terminal Ready	20

=====

Appendix C/ Glossary

ASCII — American Standard Code for **Information** Interchange.

Baud Rate — Rate data is being sent **between a Terminal** and a Host. Approximately equal to “bits per second”.

Bell — The buzzer in the PT-210.

Carriage Return — Returns Cursor to column **one** of the same line.

Column — Horizontal spaces. The PT-210 uses **80** columns.

Default — The value a switch or parameter takes on if you do not specify a value.

Echo — The Host sends the character it just received immediately back to the PT-210. The returned character may or may not be printed.

Enabled — Turned on. Permitted to function.

Even Parity. — The number of bits in a character is counted. If the result is odd, the parity bit is set. Then the number of bits set will be even - hence even parity. On the receive end, the number of bits in the word is counted. The result is compared with the **parity** bit and if the result is odd and the parity bit is not set then the computer knows that an error **has** occurred.

Full-Duplex — Characters typed by the PT-210 are echoed by the Host system.

Half-Duplex — Characters typed on the PT-210 are not echoed by the Host system. The PT-210 will print each character in this mode.

Line Feed — The moves Cursor down one line without returning it to the left margin.

Odd Parity — Each time a character is sent, a parity bit is sent too. If the number of bits set in the character is even, then the parity bit is set, resulting in an odd number - hence odd parity.

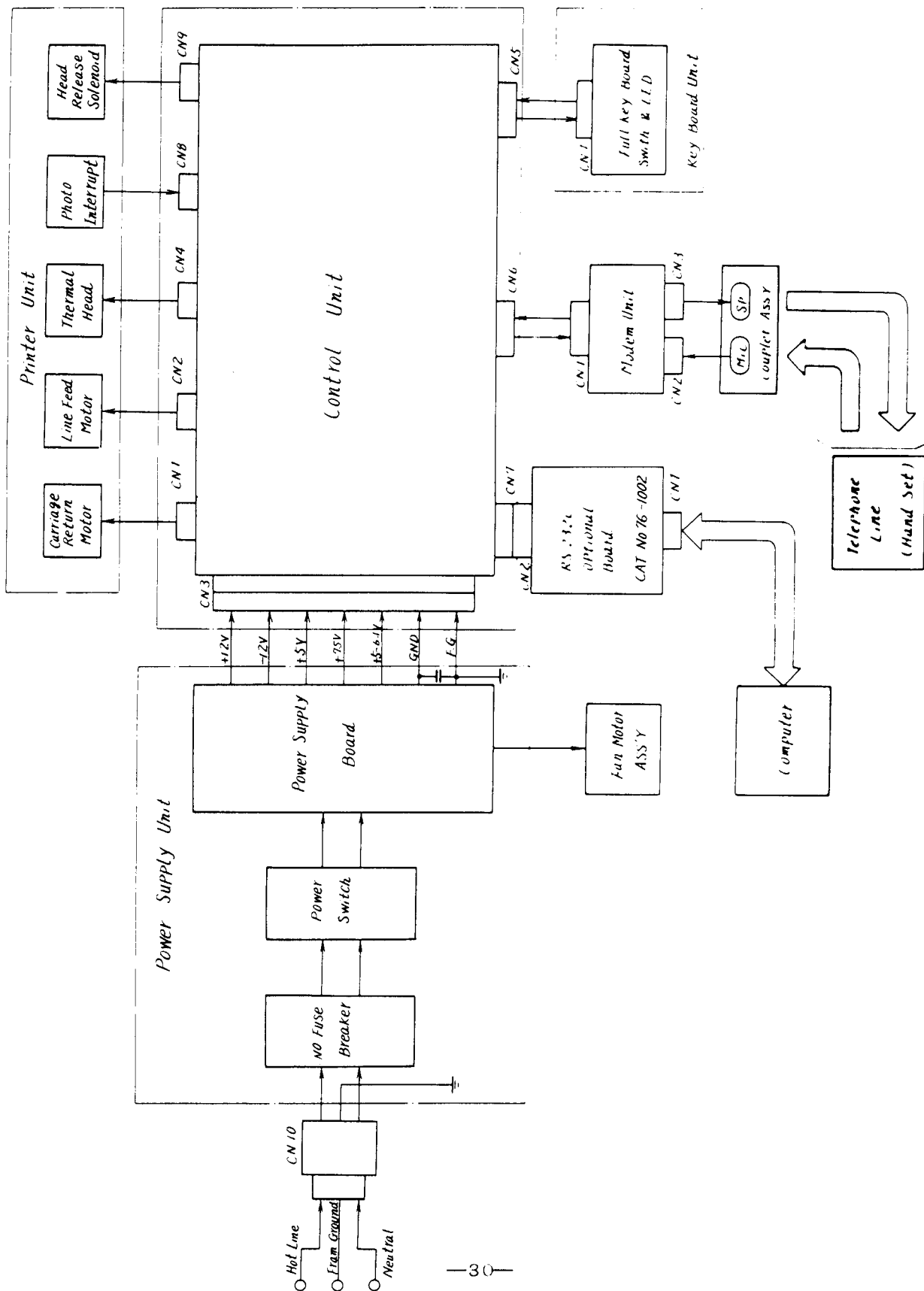
When received, the number of bits set in the character is **again** counted and if an even number results then the parity bit must be set. If the parity bit is not **set** and the number of characters is even, the computer knows that an error in transmission has **occured**.

Parity — An error checking system.

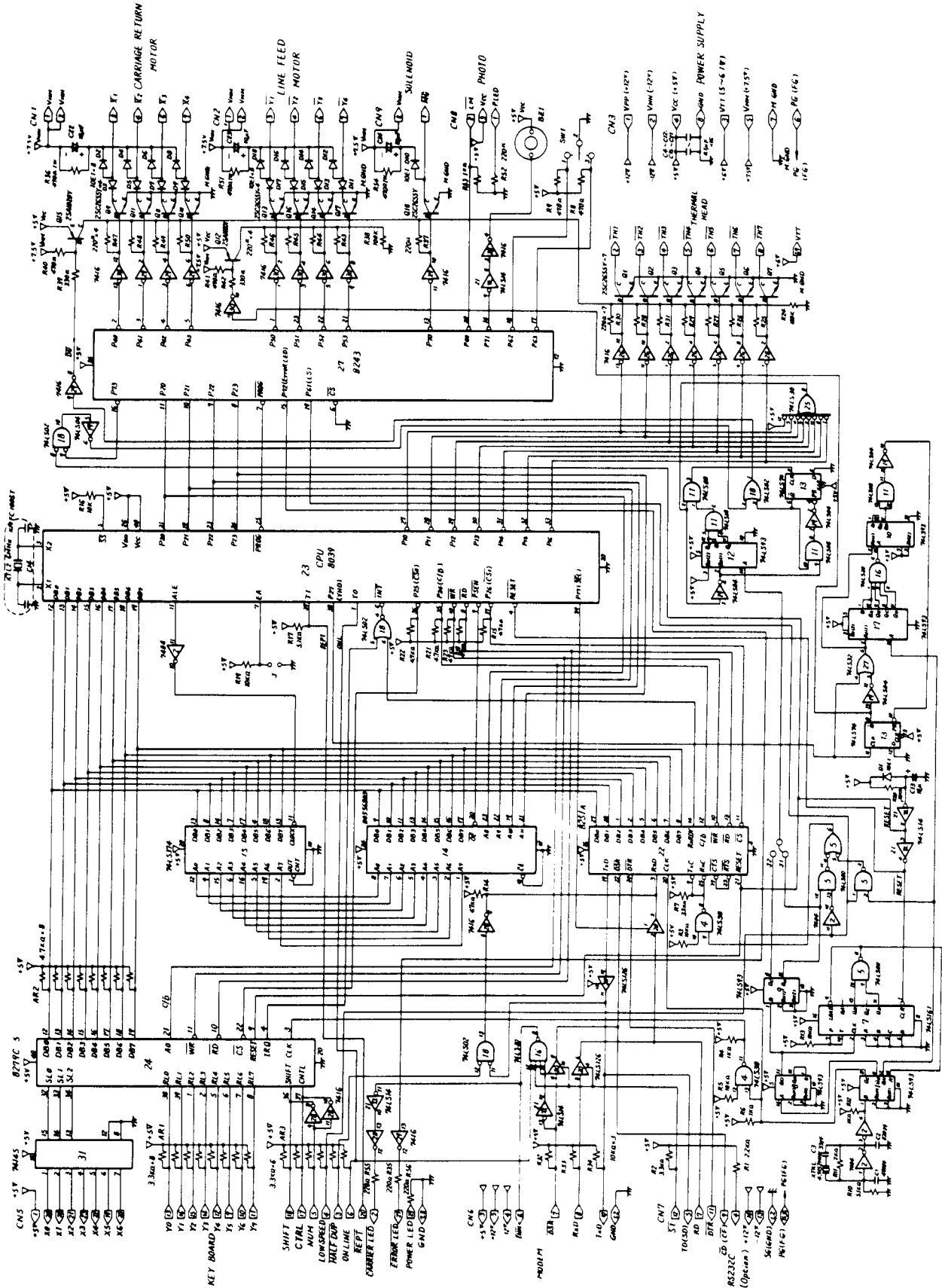
Serial — Data arrives one bit at a time through a single wire and 7 or 8 bits, set in a unique combination of voltage levels, define a character.

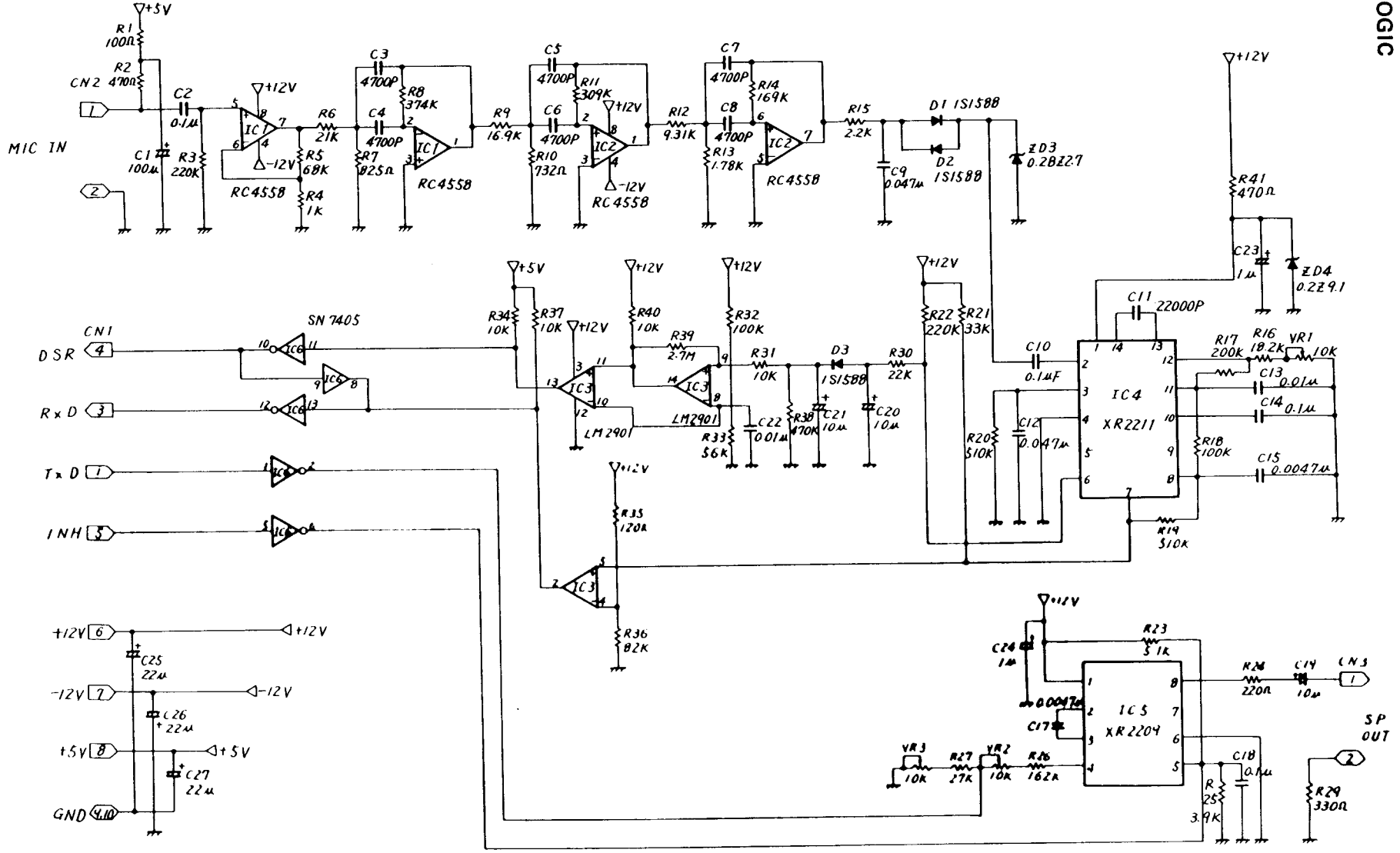
Appendix D/SCHEMATIC DIAGRAMS

BLOCK DIAGRAM



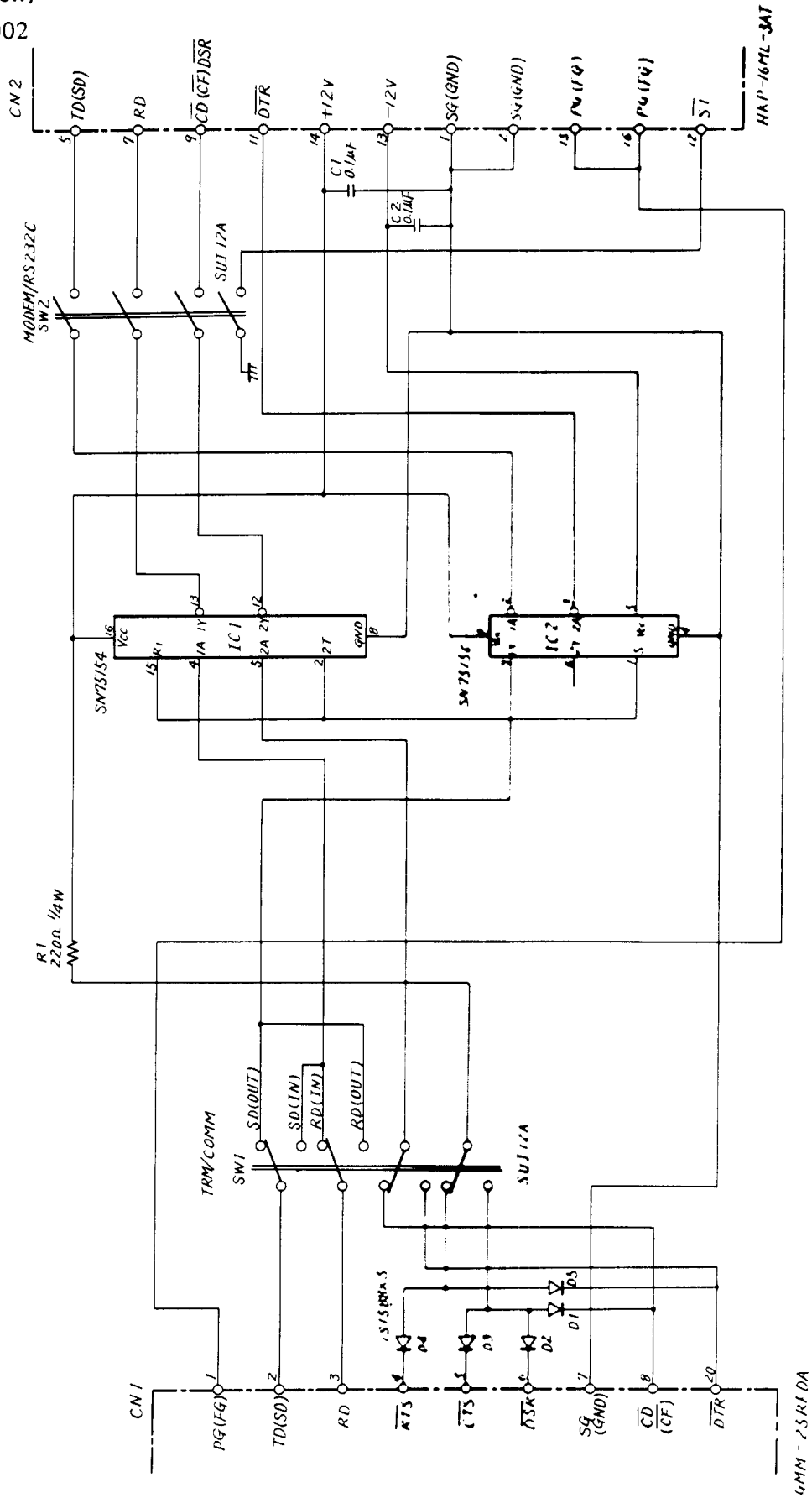
CONTROL LOGIC





RS232C INTERFACE LOGIC 1/2 (Option)

CAT. No. 76-1002



IMPORTANT INFORMATION

“This equipment generates and uses radio frequency energy and if not installed and used properly, that is, in strict accordance with the manufacturer’s instructions, may cause interference to radio and television reception. It has been type tested and found to comply with the limits for a Class B computing device in accordance with the specifications in Subpart J of Part 15 of FCC Rules, which are designed to provide reasonable protection against such interference in a residential installation. However, there is no guarantee that interference will not occur in a particular installation. If this equipment does cause interference to radio or television reception, which can be determined by turning the equipment off and on, the user is encouraged to try to correct the interference by one or more of the following measures:

- Reorient the receiving antenna
- relocate the computer with respect to the receiver
- move the computer away from the receiver
- plug the computer into a different outlet so that computer and receiver are on different branch circuits.

If necessary, the user should consult the dealer or an experienced radio/television technician for additional suggestions. The user may find the following booklet prepared by the Federal Communications Commission helpful:

‘How to Identify and Resolve Radio-TV interference Problems’. This booklet is available from the US Government Printing Office, Washington, D.C., 20402, Stock No. 004-000-00345-4”

RADIO SHACK, A DIVISION OF TANDY CORPORATION

**U.S.A.: FORT WORTH, TEXAS 76102
CANADA: BARRIE, ONTARIO L4M 4W5**

TANDY CORPORATION

AUSTRALIA

**280-316 VICTORIA ROAD
RYDALMERE, N.S.W. 2116**

BELGIUM

**PARC INDUSTRIEL DE NANINNE
5140 NANINNE**

U. K.

**BILSTON ROAD WEDNESBURY
WEST MIDLANDS WS10 7JN**