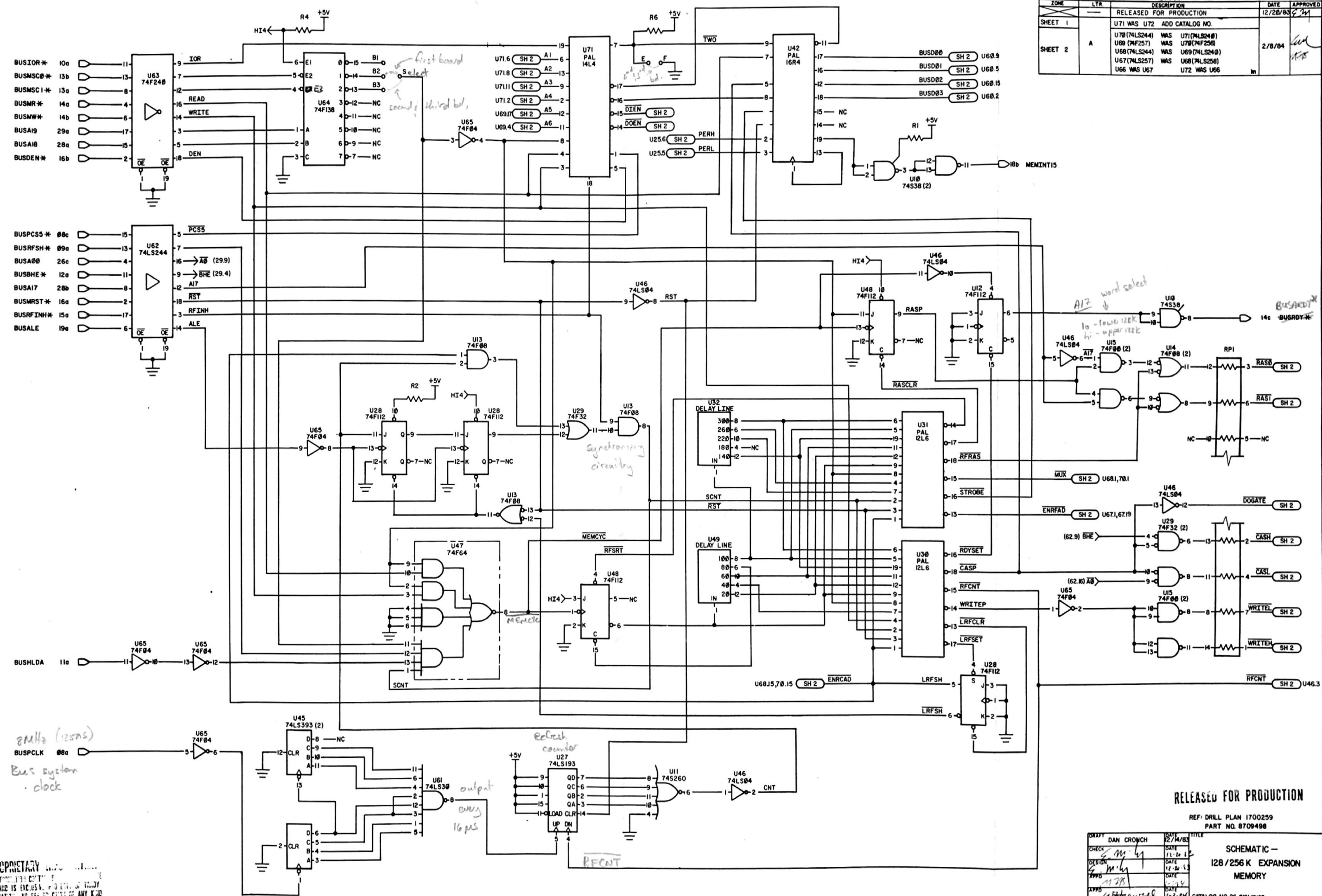


ZONE	LTR	REVISION	DATE	APPROVED
		RELEASED FOR PRODUCTION	12/20/83	
SHEET 1		U71 WAS U72	ADD CATALOG NO.	
SHEET 2	A	U70 (74LS244) WAS U71 (74LS244)		2/8/84
		U69 (74F257) WAS U70 (74F250)		
		U68 (74LS244) WAS U69 (74LS244)		
		U67 (74LS257) WAS U68 (74LS250)		
		U66 WAS U67	U72 WAS U66	



RELEASED FOR PRODUCTION

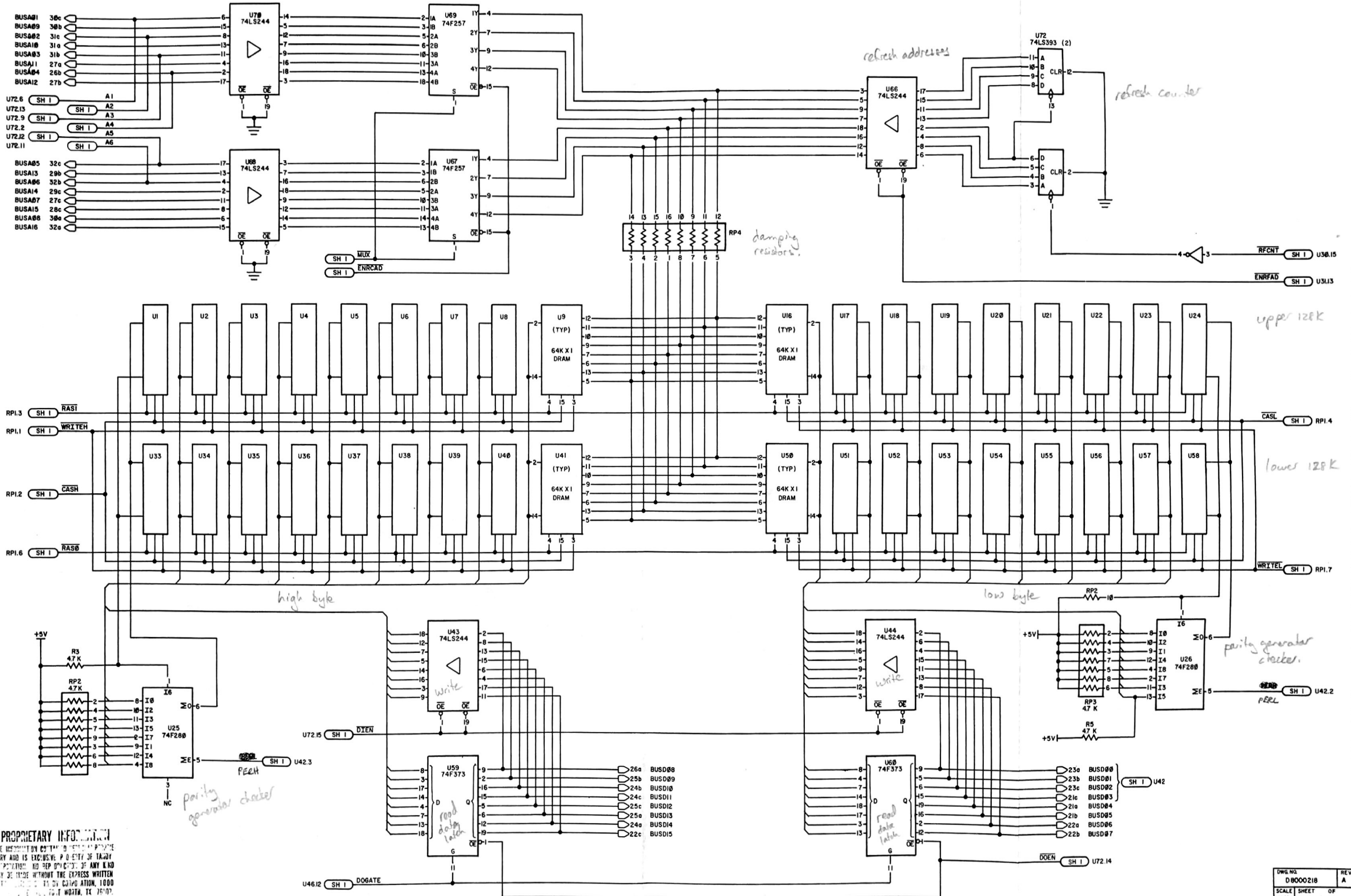
REF: DRILL PLAN 1700259
PART NO. 8709498

DATE	BY	TITLE
12/14/83	DAN CROWCH	SCHEMATIC -
11-20-83		128 / 256 K EXPANSION
11-20-83		MEMORY
1-3-84	W. H. W. W.	CATALOG NO. 26-261/262

tandy

8000218
SCALE SHEET OF
N/A 1 2

PROPRIETARY
THE INFORMATION CONTAINED
HEREIN IS THE PROPERTY OF TANDY
CORPORATION. NO PART OF THIS
DOCUMENT MAY BE REPRODUCED OR
TRANSMITTED IN ANY FORM OR BY
ANY MEANS, ELECTRONIC OR
MECHANICAL, INCLUDING PHOTOCOPYING,
RECORDING, OR BY ANY INFORMATION
SYSTEMS WITHOUT THE EXPRESS WRITTEN
PERMISSION OF TANDY CORPORATION, 1000
E. 15TH AVE., FT. WORTH, TX 76102.



refresh addresses

refresh counter

damping resistor

upper 128K

lower 128K

high byte

low byte

parity generator checker

parity generator checker

PROPRIETARY INFORMATION
 THE INFORMATION CONTAINED HEREIN IS PROPRIETARY AND IS EXCLUSIVE PROPERTY OF TAYLOR CORPORATION. NO REPRODUCTION OF ANY KIND MAY BE MADE WITHOUT THE EXPRESS WRITTEN PERMISSION OF TAYLOR CORPORATION, 1000 EAST WASHINGTON AVENUE, WORTH, TEXAS 76107.