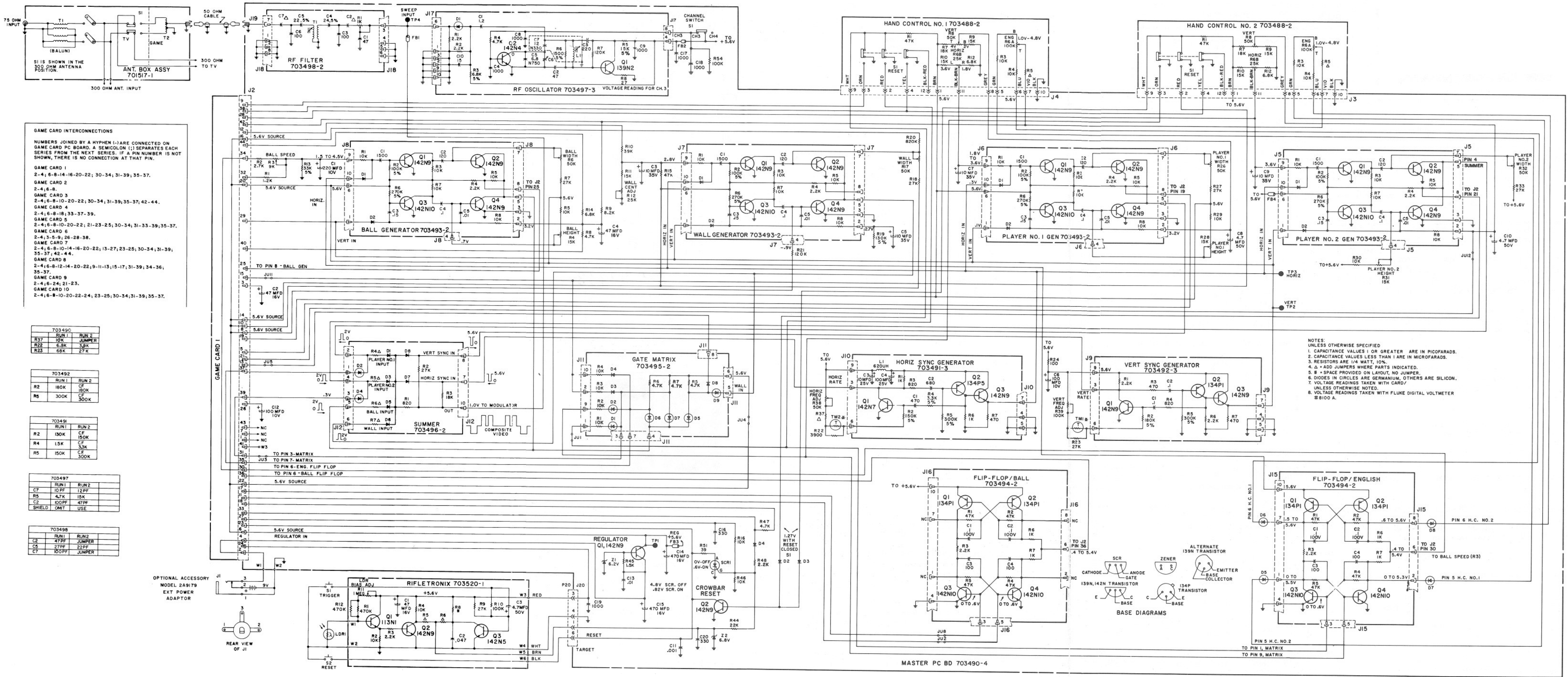


# MAGNAVOX ODYSSEY 1TL200BLAK SCHEMATIC DIAGRAM

Scanned from original service manual by David WINTER

<http://www.pong-story.com>



**GAME CARD INTERCONNECTIONS**  
 NUMBERS JOINED BY A HYPHEN (-) ARE CONNECTED ON GAME CARD PC BOARD. A SEMICOLON (;) SEPARATES EACH SERIES FROM THE NEXT SERIES. IF A PIN NUMBER IS NOT SHOWN, THERE IS NO CONNECTION AT THAT PIN.

**GAME CARD 1**  
 2-4; 6-8-14-16-20-22; 30-34; 31-39; 35-37.

**GAME CARD 2**  
 2-4; 6-8.

**GAME CARD 3**  
 2-4; 6-8-10-20-22; 30-34; 31-39; 35-37; 42-44.

**GAME CARD 4**  
 2-4; 6-8-10; 33-37-39.

**GAME CARD 5**  
 2-4; 6-8-10-20-22; 21-23-25; 30-34; 31-33-39; 35-37.

**GAME CARD 6**  
 2-4; 3-5-9; 26-28-38.

**GAME CARD 7**  
 2-4; 6-8-10-14-16-20-22; 13-27; 23-25; 30-34; 31-39; 35-37; 42-44.

**GAME CARD 8**  
 2-4; 6-8-12-14-20-22; 9-11; 15-17; 31-39; 34-36; 35-37.

**GAME CARD 9**  
 2-4; 6-24; 21-23.

**GAME CARD 10**  
 2-4; 6-8-10-20-22-24; 23-25; 30-34; 31-39; 35-37.

703490		
RUN 1	RUN 2	JUMPER
R37 10K		
R22 6.8K	3.9K	
R23 68K	27K	

703492		
RUN 1	RUN 2	JUMPER
R2 180K	CF 150K	
R5 300K	CF 300K	

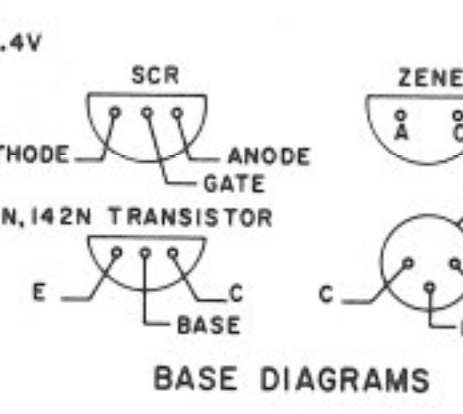
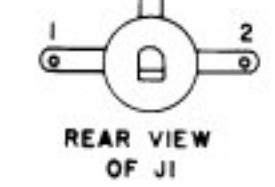
703491		
RUN 1	RUN 2	JUMPER
R2 130K	CF 150K	
R4 1.5K	CF 3.3K	
R5 150K	CF 300K	

703497		
RUN 1	RUN 2	JUMPER
C7 10PF	12PF	
R5 4.7K	15K	
C2 100PF	47PF	
SHIELD	OMIT	USE

703498		
RUN 1	RUN 2	JUMPER
C2 47PF	JUMPER	
C5 27PF	22PF	
C7 100PF	JUMPER	

**NOTES:**  
 1. UNLESS OTHERWISE SPECIFIED CAPACITANCE VALUES 1 OR GREATER ARE IN PICOFARADS.  
 2. CAPACITANCE VALUES LESS THAN 1 ARE IN MICROFARADS.  
 3. RESISTORS ARE 1/4 WATT, 10%.  
 4. Δ = ADD JUMPERS WHERE PARTS INDICATED.  
 5. S = SPACE PROVIDED ON LAYOUT, NO JUMPER.  
 6. DIODES IN CIRCLES ARE GERMANIUM, OTHERS ARE SILICON.  
 7. VOLTAGE READINGS TAKEN WITH CARD/ UNLESS OTHERWISE NOTED.  
 8. VOLTAGE READINGS TAKEN WITH FLUKE DIGITAL VOLTMETER #8100 A.

**OPTIONAL ACCESSORY**  
 MODEL 2A9179  
 EXT POWER  
 ADAPTOR



MASTER PC BD 703490-4