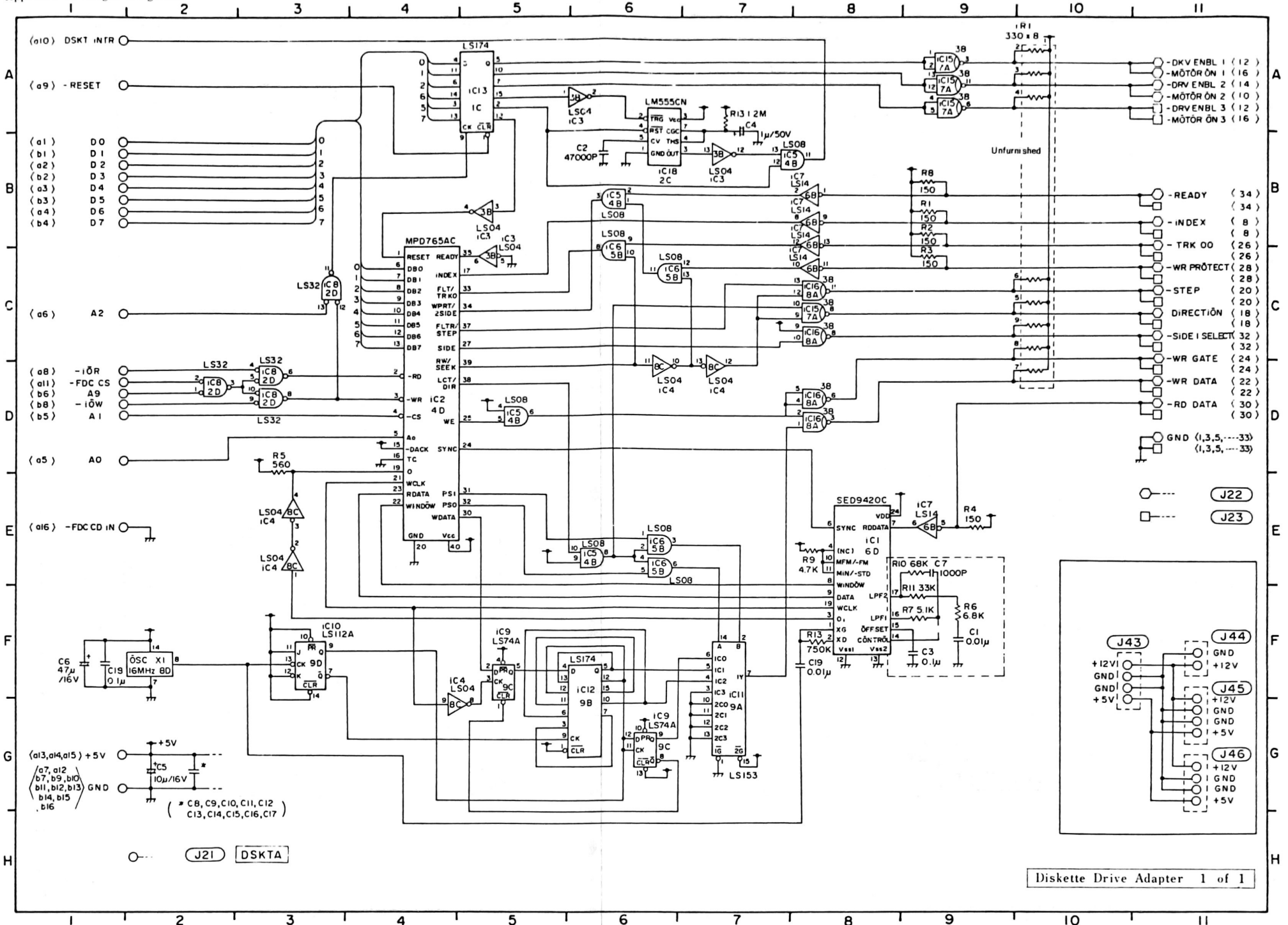
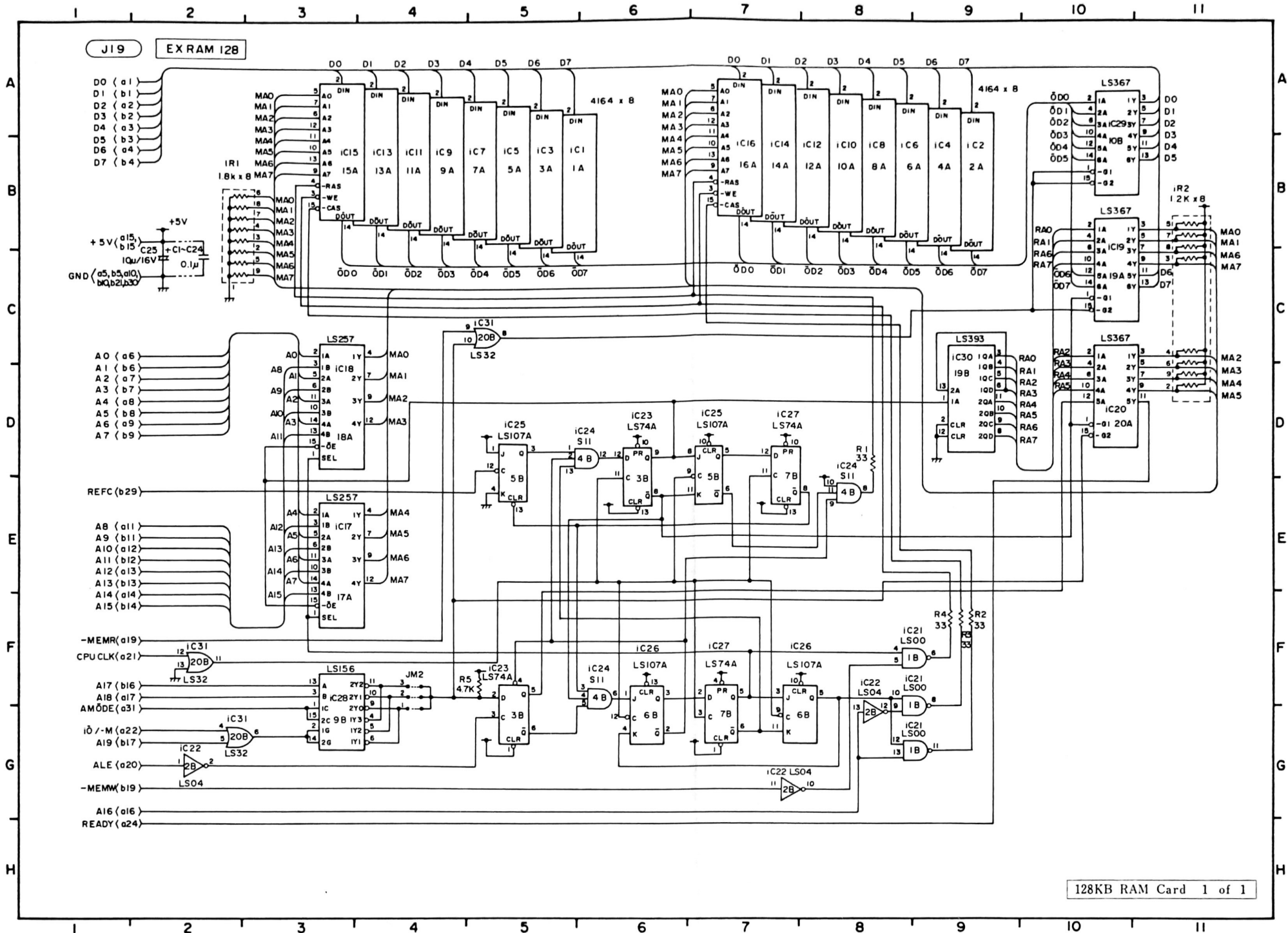
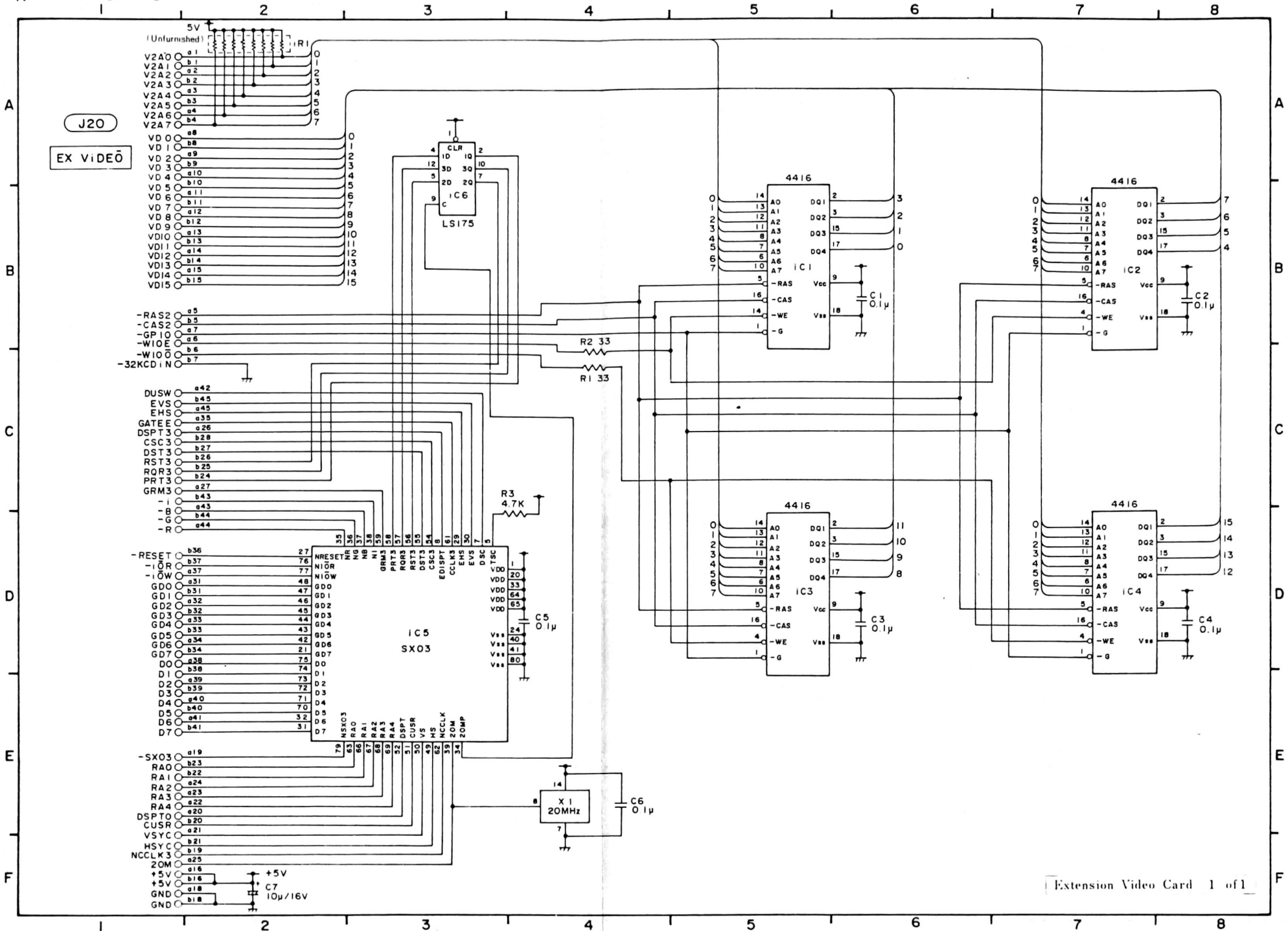


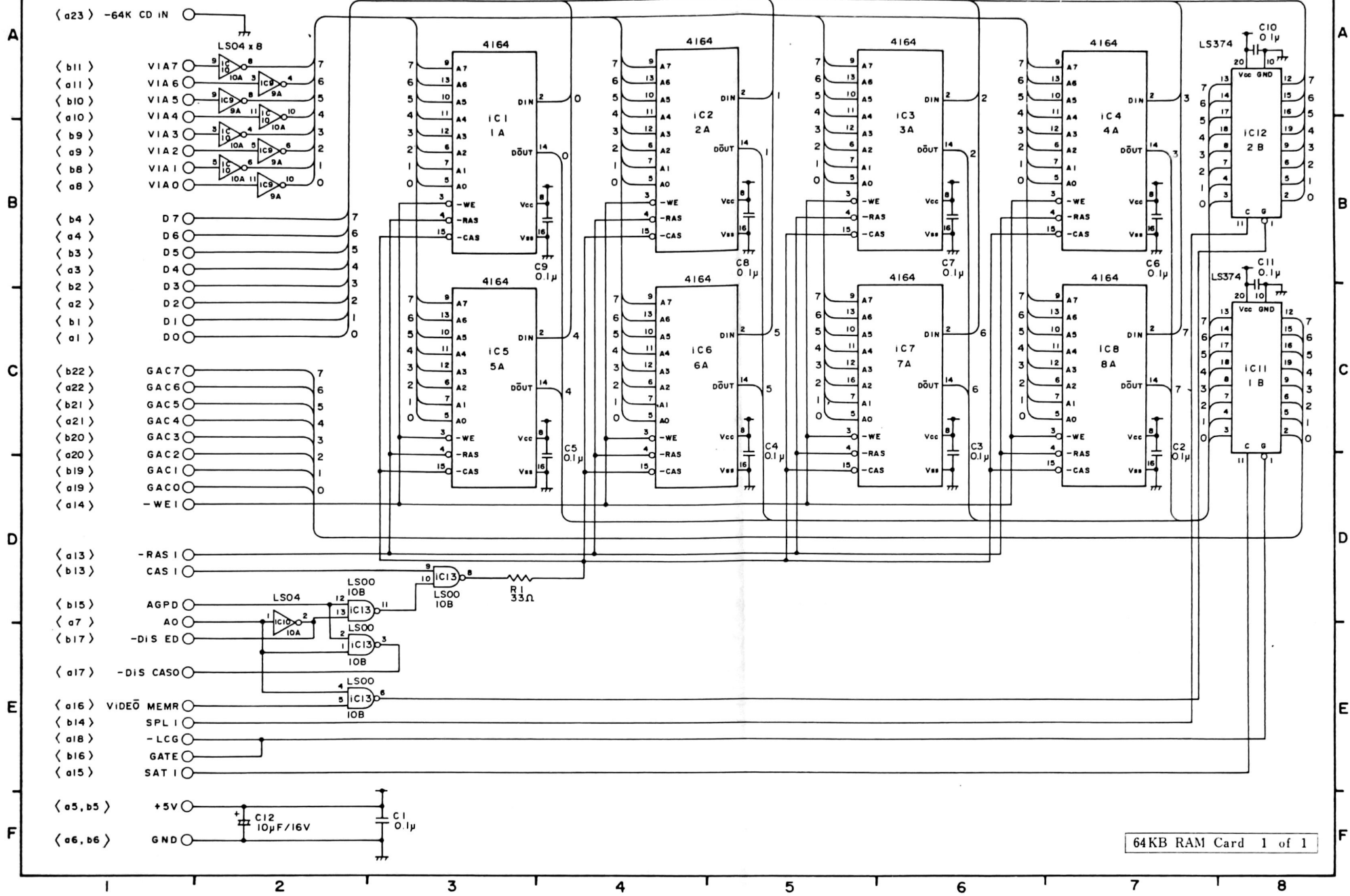
Parts Location 1 of 1

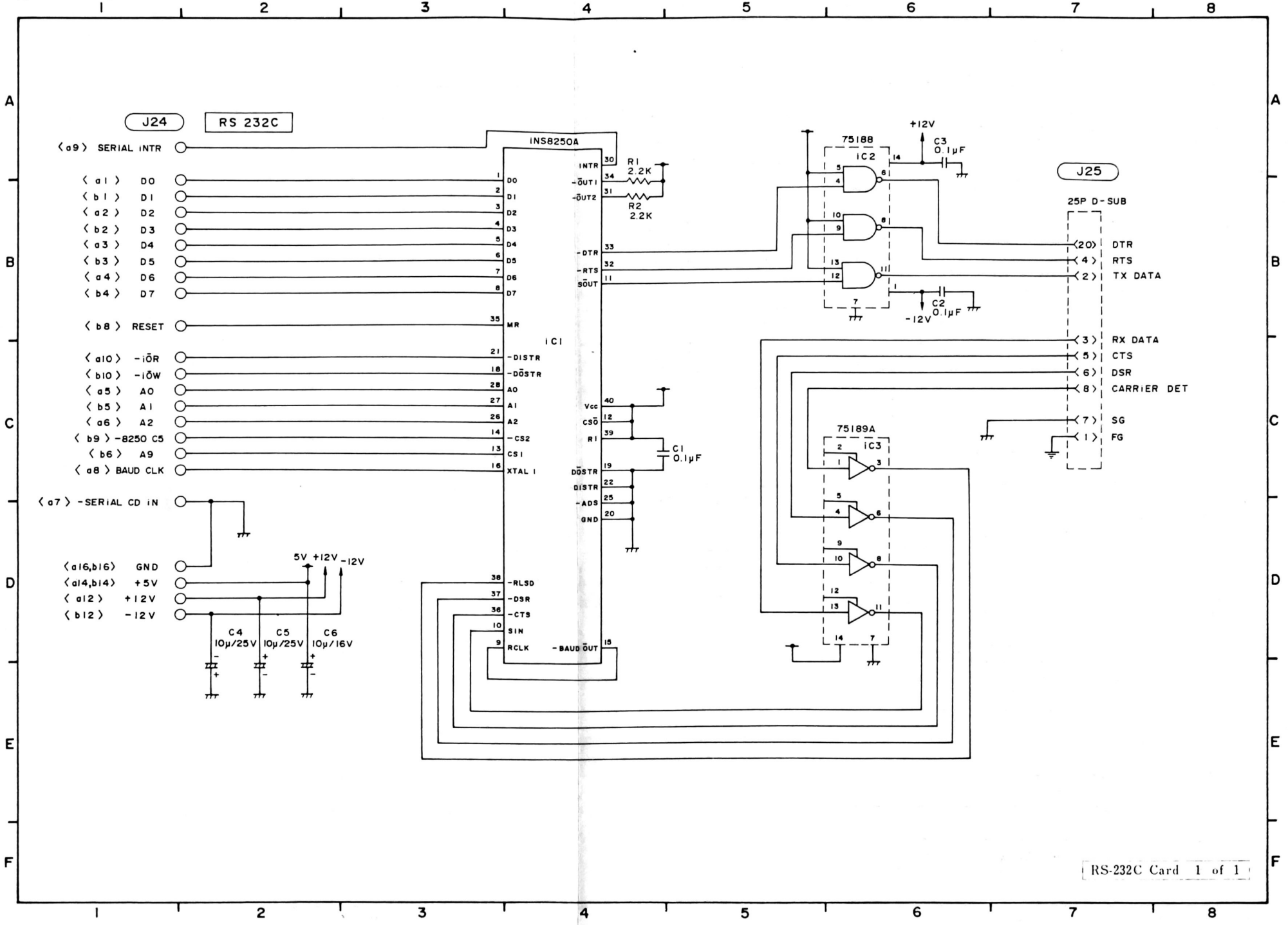


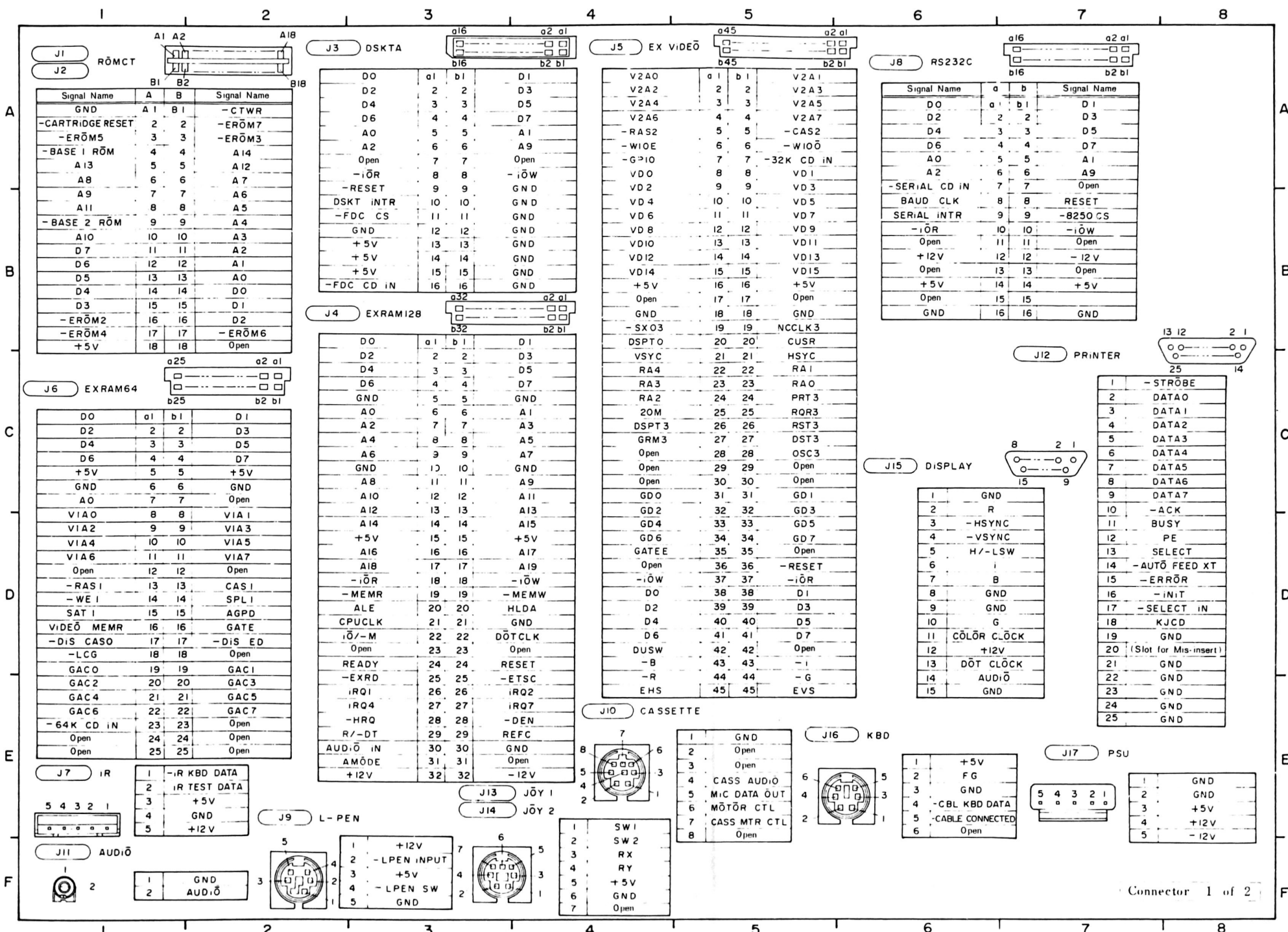




J18 EXTRAM 64







Signal Name	A1	B1	Signal Name	B1B
GND	A 1	B 1	-CTWR	
-CARTRIDGE RESET	2	2	-ERÖM7	
-ERÖM5	3	3	-ERÖM3	
-BASE 1 RÖM	4	4	A14	
A13	5	5	A12	
A8	6	6	A7	
A9	7	7	A6	
A11	8	8	A5	
-BASE 2 RÖM	9	9	A4	
A10	10	10	A3	
D7	11	11	A2	
D6	12	12	A1	
D5	13	13	A0	
D4	14	14	D0	
D3	15	15	D1	
-ERÖM2	16	16	D2	
-ERÖM4	17	17	-ERÖM6	
+5V	18	18	Open	

J3 DSKTA

DO	a1	b1	D1
D2	2	2	D3
D4	3	3	D5
D6	4	4	D7
A0	5	5	A1
A2	6	6	A9
Open	7	7	Open
-iÖR	8	8	-iÖW
-RESET	9	9	GND
DSKT INTR	10	10	GND
-FDC CS	11	11	GND
GND	12	12	GND
+5V	13	13	GND
+5V	14	14	GND
+5V	15	15	GND
-FDC CD IN	16	16	GND

J5 EX VIDEO

V2A0	a1	b1	V2A1
V2A2	2	2	V2A3
V2A4	3	3	V2A5
V2A6	4	4	V2A7
-RAS2	5	5	-CAS2
-WIOE	6	6	-WIOÖ
-G>10	7	7	-32K CD IN
VD0	8	8	VD1
VD2	9	9	VD3
VD4	10	10	VD5
VD6	11	11	VD7
VD8	12	12	VD9
VD10	13	13	VD11
VD12	14	14	VD13
VD14	15	15	VD15
+5V	16	16	+5V
Open	17	17	Open
GND	18	18	GND
-SX03	19	19	NCCLK3
DSPT0	20	20	CUSR
VSYC	21	21	HSYC
RA4	22	22	RA1
RA3	23	23	RA0
RA2	24	24	PRT3
20M	25	25	RQR3
DSPT3	26	26	RST3
GRM3	27	27	DST3
Open	28	28	OSC3
Open	29	29	Open
Open	30	30	Open
GDO	31	31	GDI
GD2	32	32	GD3
GD4	33	33	GD5
GD6	34	34	GD7
GATEE	35	35	Open
Open	36	36	-RESET
-iÖW	37	37	-iÖR
DO	38	38	D1
D2	39	39	D3
D4	40	40	D5
D6	41	41	D7
DUSW	42	42	Open
-B	43	43	-i
-R	44	44	-G
EHS	45	45	EVS

J8 RS232C

Signal Name	a	b	Signal Name
D0	a1	b1	D1
D2	2	2	D3
D4	3	3	D5
D6	4	4	D7
A0	5	5	A1
A2	6	6	A9
-SERIAL CD IN	7	7	Open
BAUD CLK	8	8	RESET
SERIAL INTR	9	9	-8250 CS
-iÖR	10	10	-iÖW
Open	11	11	Open
+12V	12	12	-12V
Open	13	13	Open
+5V	14	14	+5V
Open	15	15	Open
GND	16	16	GND

J4 EXRAM128

DO	a1	b1	D1
D2	2	2	D3
D4	3	3	D5
D6	4	4	D7
GND	5	5	GND
A0	6	6	A1
A2	7	7	A3
A4	8	8	A5
A6	9	9	A7
GND	10	10	GND
A8	11	11	A9
A10	12	12	A11
A12	13	13	A13
A14	14	14	A15
+5V	15	15	+5V
A16	16	16	A17
A18	17	17	A19
-iÖR	18	18	-iÖW
-MEMR	19	19	-MEMW
ALE	20	20	HLDA
CPUCCLK	21	21	GND
iÖ/M	22	22	DÖTCLK
Open	23	23	Open
READY	24	24	RESET
-EXRD	25	25	-ETSC
iRQ1	26	26	iRQ2
iRQ4	27	27	iRQ7
-HRQ	28	28	-DEN
R/-DT	29	29	REFC
AUDiÖ IN	30	30	GND
AMÖDE	31	31	Open
+12V	32	32	-12V

J6 EXRAM64

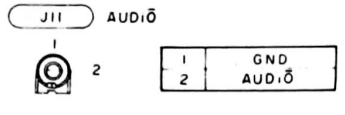
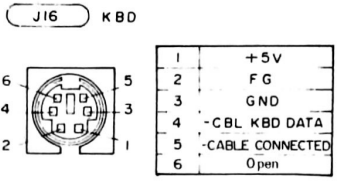
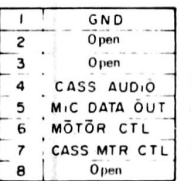
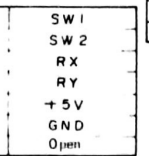
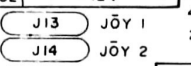
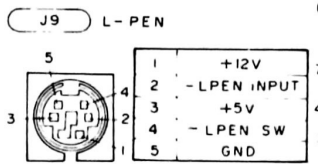
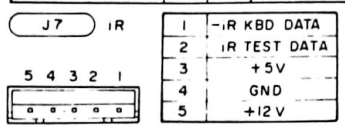
DO	a1	b1	D1
D2	2	2	D3
D4	3	3	D5
D6	4	4	D7
+5V	5	5	+5V
GND	6	6	GND
A0	7	7	Open
VIA0	8	8	VIA1
VIA2	9	9	VIA3
VIA4	10	10	VIA5
VIA6	11	11	VIA7
Open	12	12	Open
-RAS1	13	13	CAS1
-WE1	14	14	SPL1
SAT1	15	15	AGPD
VIDEÖ MEMR	16	16	GATE
-DIS CAS0	17	17	-DIS ED
-LCG	18	18	Open
GAC0	19	19	GAC1
GAC2	20	20	GAC3
GAC4	21	21	GAC5
GAC6	22	22	GAC7
-64K CD IN	23	23	Open
Open	24	24	Open
Open	25	25	Open

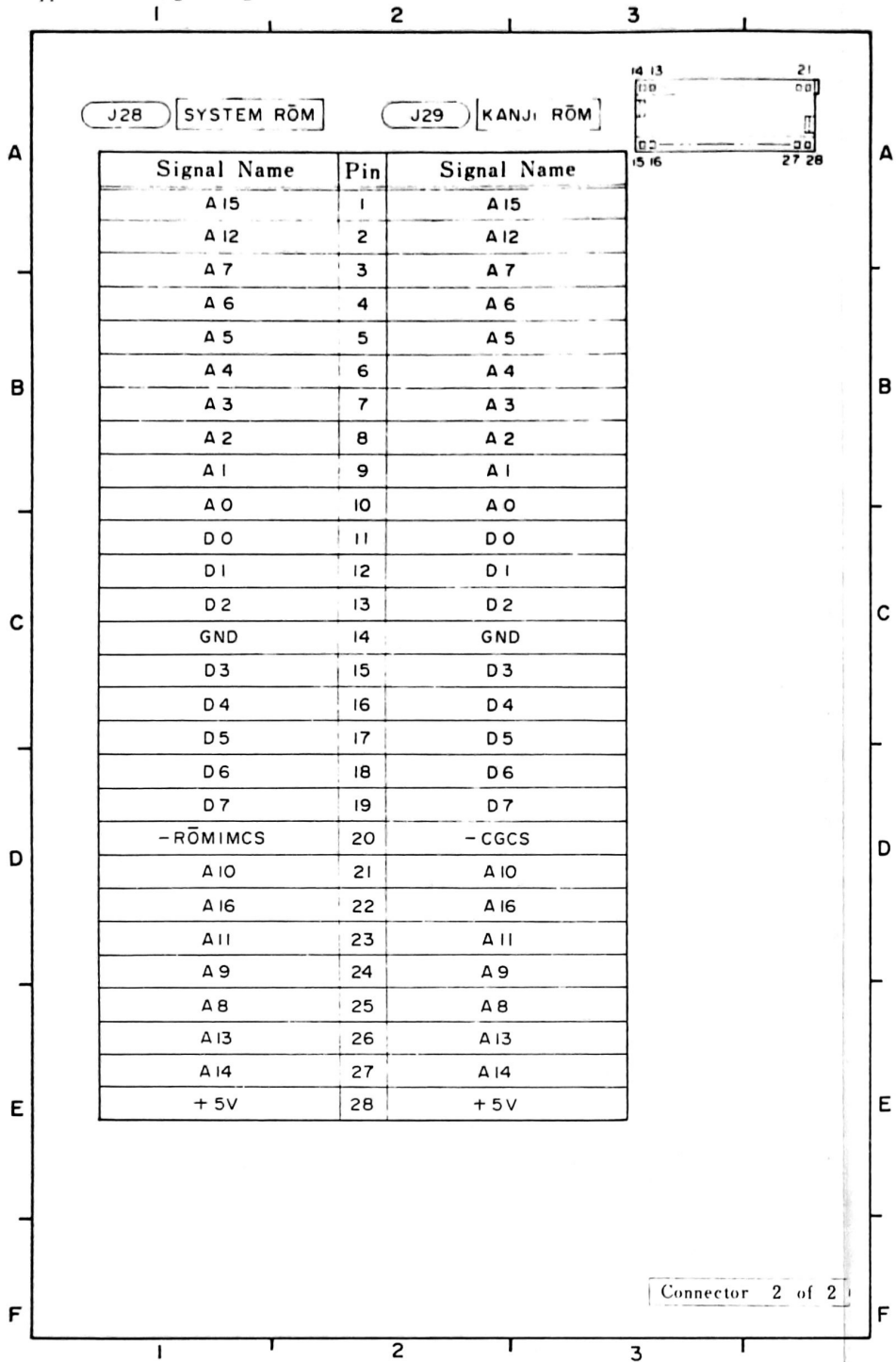
J10 CASSETTE

1	GND
2	Open
3	Open
4	CASS AUDiÖ
5	MiC DATA ÖUT
6	MÖTÖR CTL
7	CASS MTR CTL
8	Open

J12 PRINTER

1	-STROBE
2	DATA0
3	DATA1
4	DATA2
5	DATA3
6	DATA4
7	DATA5
8	DATA6
9	DATA7
10	-ACK
11	BUSY
12	PE
13	SELECT
14	-AUTÖ FEED XT
15	-ERRÖR
16	-iNiT
17	-SELECT IN
18	KJCD
19	GND
20	(Slot for Mis-insert)
21	GND
22	GND
23	GND
24	GND
25	GND





Connector 2 of 2