

ATTACHMENT 2 TO THE TECHNICAL MANUAL

SPARE PARTS CATALOG

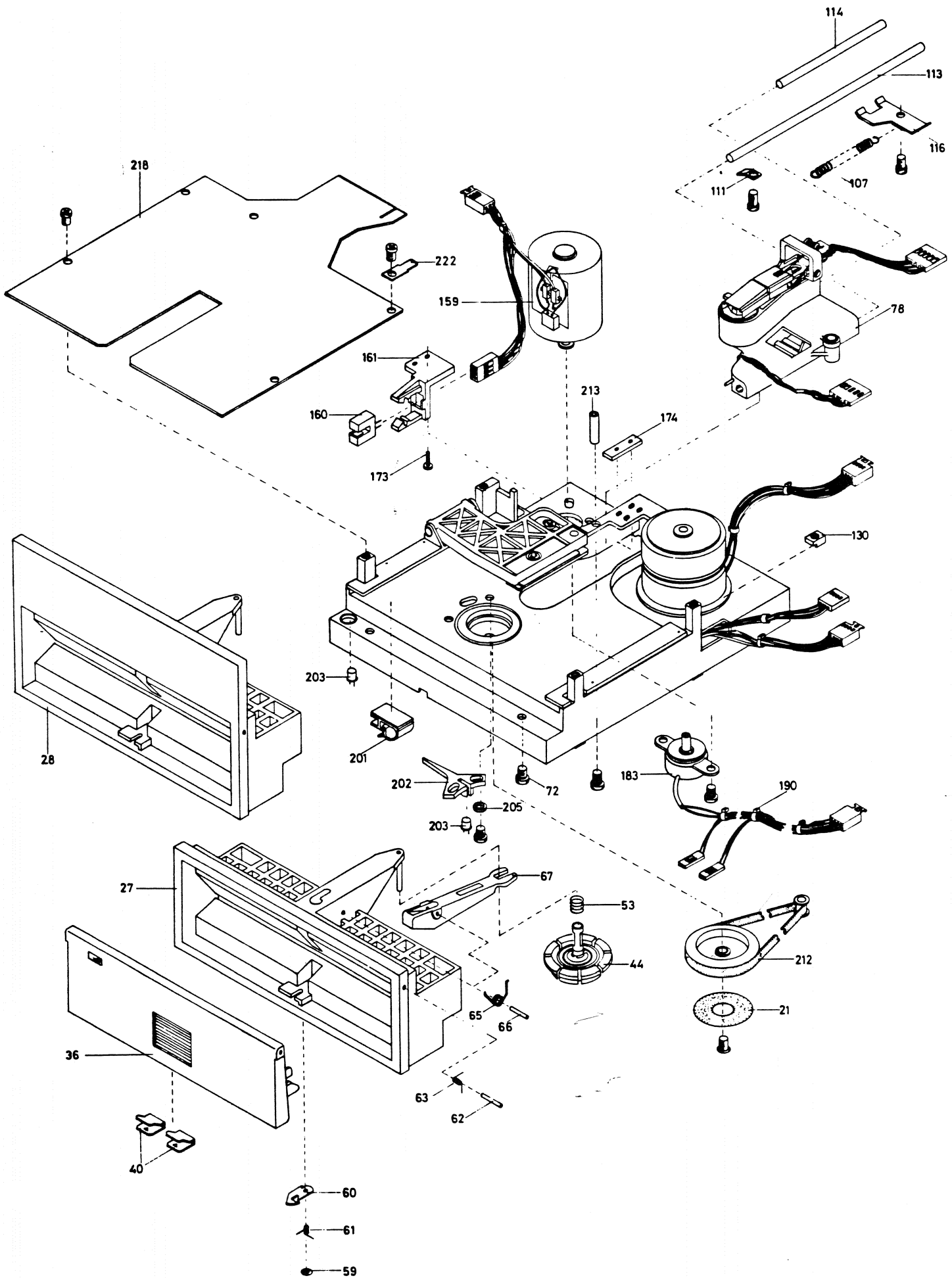
MODEL 6108 MINI DISK DRIVE

IN THE PRESENT SPAREPARTS-CATALOG YOU WILL FIND ONLY PARTS
AND ASSY-NOS. WHICH WILL BE AVAILBLE AS SPARE PARTS FROM
BASF-AG.

Copyright c 1980
by BASF Aktiengesellschaft

Rev.01

Page 1 of 9



PARTS BREAKDOWN
MOD 610R

ITEM	PART No.	DESCRIPTION	QTY PER ASSY NO: 88 107-4XX				
			01	03	07		
21	88 421-001	LABEL,TACHOSCOPE	1	1	1		
27	88 126-001	ASSY,FRONT CABINETT	1	1	-		
28	88 126-002	ASSY,FRONT CABINETT SHUGART	-	-	1		
36	88 131-001	ASSY,FRONT DOOR	1	1	1		
40	88 233-001	SPRING FOR DISK TRACKING	2	2	2		
44	88 129-002	ASSY,CONE THRUST	1	1	1		
53	88 404-002	SPRING,COMPRESSION \varnothing 8	1	1	1		
59	88 316-020	BENZING-QUICKLOCK 2	1	1	1		
60	88 228-003	LATCH	1	1	1		
61	88 412-003	SPRING,TORSION	1	1	1		
62	88 305-014	PIN,PIVOT \varnothing 2x15,8	2	2	2		
63	88 407-001	SPRING,TORSION	2	2	2		
65	88 406-002	SPRING,TORSION	1	1	1		
66	88 305-029	PIN,PIVOT \varnothing 3x13,8	1	1	1		
67	88 177-002	LEVER ARM-CONE THRUST	1	1	1		
72	80 958-014	CROSS,RECESSED,SCREW M3x6 5,8					
78	88 163-002	ASSY,CARRIAGE	1	1	1		
107	88 036-001	SPRING,EXTENSION	1	1	1		
111	88 227-001	SPRING,CLAMPING	1	1	1		
113	88 408-001	BAR,GUIDE \varnothing 5x130	1	1	1		
114	88 409-001	BAR,GUIDE \varnothing 5x71	1	1	1		
116	88 226-001	SPRING,CLAMPING	1	1	1		
130	88 179-001	SHOE,CLAMPING	2	2	2		
157	88 153-Y02	ASSY,SPINDLE MOTOR WITH TRACK O-SWITCH	1	1	1		
158	88 351-001	TRACK O-SWITCH	1	1	1		
159	88 153-Y03	ASSY,SPINDLE MOTOR WITH LIGHT BARRIER	1	1	1		

ITEM	PART No.	DESCRIPTION	QTY PER ASSY NO: 88 107-4XX					
			01	03	07			
160	88 368-XXX	JOINT LIGHT BARRIER	1	1	1			
161	88 214-001	HOLDER FOR LIGHT BARRIER	1	1	1			
173	89 375-156	CROSS, RECESSED SCREW M 2x8 5,8	2	2	2			
174	88 229-001	NUT PLATE	1	1	1			
183	88 154-001	ASSY, HEAD LOAD SOLENOID	1	1	1			
190	355038-002	TY, WRAP						
201	355027-016	CLAMP, CABLE						
203	505000-001	PHOTO TRANSISTOR	2	2	2			
202	88 207-001	HOLDER TRANSISTOR	1	1	1			
205	88 025-032	WASHER, FLAT 3,2 ST	1	1	1			
212	88 416-002	BELT SPINDLE	1	1	1			
213	88 221-001	THREADED BOLT	1	1	1			
218	88 366-001	PCB, CONTROL	1	1	1			
222	90 473-Y13	FLAT CONNECTOR 4,8	1	1	1			
		O P T I O N S						
236	88 159-001	ASSY, SI-LATCHING MAGNET	-	1	-			
241	80 641-102	CONNECTOR KIT						
242	320015-002	FLAT CONNECTOR P1	1	1	1			
243	98 403-002	FLAT PIN BUSHING 4,8	1	1	1			
244	200218-001	CONTACT LINER	1	1	1			
245	88 360-001	LINING CASE 4 POL P5	1	1	1			
246	80 976-001	SHORT-OUT-CONNECTOR	4	4	4			

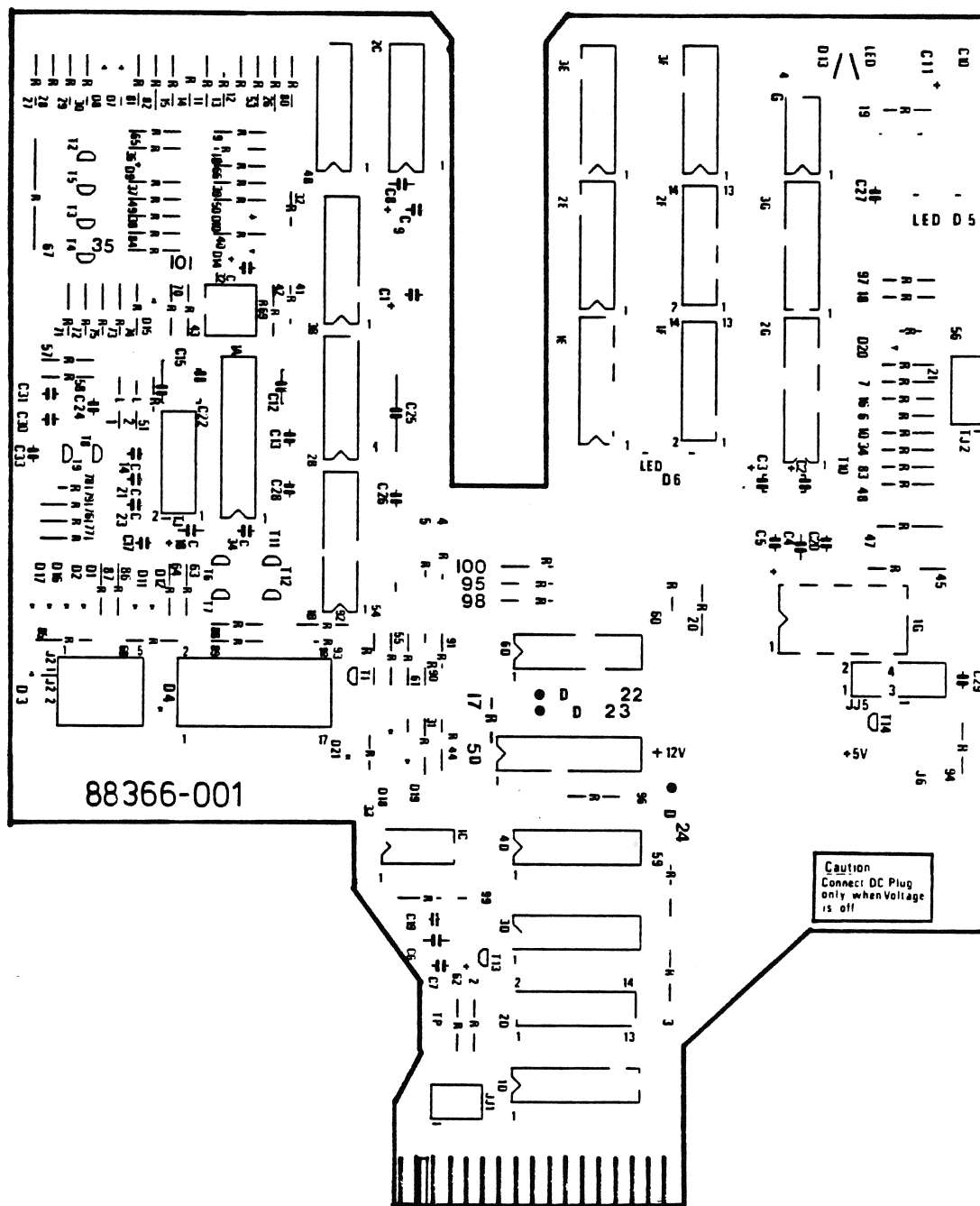
CROSS REFERENCE LIST FOR SPARE-PARTS MDD 6108

PART NUMBER	ITEM	PART NUMBER	ITEM
80 641-102	241	88 409-001	114
80 958-014	72	88 412-003	61
80 976-001	246		
		88 416-002	212
88 025-032	205	88 421-001	21
88 036-001	107		
88 126-001	27	89 375-156	173
88 126-002	28		
88 129-002	44	90 473-Y13	222
88 131-001	36		
88 153-Y02	157	98 403-002	243
88 153-Y03	159		
88 154-001	183	200218-001	244
88 159-002	236		
88 163-002	78	320015-002	242
88 177-002	67		
88 179-001	130	355027-016	201
88 207-001	202	355038-002	191
		505000-001	203
88 214-001	161		
88 221-001	213		
88 226-001	116		
88 227-001	111		
88 228-003	60		
88 229-001	174		
88 233-001	40		
88 305-014	62		
88 305-029	66		
88 316-020	59		
88 351-001	158		
88 360-001	245		
88 366-001	218		
88 368-XXX	160		
88 404-002	53		
88 406-002	65		
88 407-001	63		
88 408-001	113		

REF.DESIGN.	PART NO.	DESCRIPTION	QTY PER ASSY NO: 88 366-XXX				
			001				
C1	81 091-336	CAPACITOR TANT.0,01 μ F,100V,20%	1				
C2	81 093-226	CAPACITOR TANT. 22 μ F, 16V,20%	1				
C3	81 095-225	CAPACITOR TANT. 2,2 μ F, 25V,20%	1				
C4,6,8,10,15,18,29	305028-103	CAPACITOR CER. 0,01 μ F,100V,20%	7				
C5	81 173-476	CAPACITOR AL.ELK.47 μ F,16V,10%	1				
C7,9,11	81 172-476	CAPACITOR AL.ELK.47 μ F,10V,10%	3				
C12,13	81 177-331	CAPACITOR CER. 330pF,400V,10%	2				
C14,34	81 177-470	CAPACITOR CER. 47pF,400V,10%	2				
C16,17	81 095-685	CAPACITOR TANT.6,8 μ F,25V,20%	2				
C19,20,21,23,30, C31,32	81 119-104	CAPACITOR MET.FOIL.0,1 μ F,63V,10%	7				
C22	81 177-681	CAPACITOR CER. 680pF,400V,10%	1				
C24	81 177-561	CAPACITOR CER. 560pF,400V,10%	1				
C25	88 353-153	CAPACITOR POLY.O,015 μ F,200V,5%	1				
C26	88 354-393	CAPACITOR POLY.O,039 μ F,200V,5%	1				
C27	81 120-102	CAPACITOR MET.FOIL.1000pF,100V,10%	1				
C28	81 119-224	CAPACITOR MET.FOIL.O,22 μ F, 63V,10%	1				
D1,2,10,11,12,14, D15,16,17,18,19	10 357-001	DIODE 1N4444	11				
D3,4,21	90 344-001	DIODE 1N4001	3				
D5,6	330705-001	L.-DIODE MEGO	2				
D7	17 202-043	DIODE ZENER ZPD 4,3,2%	1				
D8,20	90 346-082	DIODE ZENER 1N756(8,2V)	2				
D9	90 346-068	DIODE ZENER 1N754(6,8V)	1				
D13	80 975-001	L.-DIODE LD52C	1				
D24	90 346-051	DIODE ZENER 1N751(5,1V)	1				
J2.1,J2.2	80 833-205	PIN-CONNECTOR 2x5pol.square off	1				
J3	80 833-209	PIN-CONNECTOR 2x9pol "	1				
J5	88 359-001	POWER-CONNECTOR 4P	1				
J6	80 833-203	PIN-CONNECTOR 2x3pol.	1				
JJ1	80 836-203	PIN-CONNECTOR 2x3pol.	1				
JJ2,3,4	80 836-207	PIN-CONNECTOR 2x7pol.	3				
TJ1	80 836-206	PIN-CONNECTOR 2x6pol.	1				
TJ2	80 836-204	PIN-CONNECTOR 2x4pol.	1				
TP	355031-Y02	TEST POINT	1				
L1,2	80 964-393	INDUCTOR IM2-390 μ H,10%	2				
R1,22,23,24,25,52, R46	10 412-115	RESISTOR NETWORK 150 Ω ,1/4W,2%	1				
R2,18,19	90 364-151	RESISTOR 150 Ω ,1/4W,5%	3				
R3,38	90 364-471	RESISTOR 470 Ω ,1/4W,5%	2				
R4,31,32,61,63, R64,34	90 364-103	RESISTOR 10K ,1/4W,5%	7				
R5	90 364-153	RESISTOR 15K ,1/4W,5%	1				
R6,7,29,30,36,39, R40,50,57,58,59,60, R62,71,72	90 364-102	RESISTOR 1K ,1/4W,5%	15				

REF.DESIGN.	PART NO.	DESCRIPTION	QTY PER ASSY NO: 88 366-XXX				
			001				
R8,9,53	90 364-332	RESISTOR 3,3K,1/4W,5%	3				
R10,16,26	90 364-473	RESISTOR 47 K,1/4W,5%	3				
R11,13,83,94,95, R100	90 364-223	RESISTOR 22 K,1/4W,5%	6				
R12,80.	90 364-104	RESISTOR 100K,1/4W,5%	2				
R14,15	90 364-823	RESISTOR 82K,1/4W,5%	2				
R17,27,66	90 364-122	RESISTOR 1,2K,1/4W,5%	3				
R20,21	90 364-121	RESISTOR 120Ω,1/4W,5%	2				
R28,41,48,51,65,98	90 364-222	RESISTOR 2,2K,1/4W,5%	6				
R33	89 282-628	RESISTOR 390Ω,1/4W,5%	1				
R35	89 284-216	RESISTOR 1,78K,1/4W,1%	1				
R37,49,75,90,91,92 R93	90 364-271	RESISTOR 270Ω,1/4W,5%	7				
R42,81	90 364-822	RESISTOR 8,2K,1/4W,5%	2				
R43,44,84	90 364-101	RESISTOR 100Ω,1/4W,5%	3				
R45	81 110-001	RESISTOR 0,9Ω,0,35W,5%	1				
R47	80 250-257	RESISTOR POTI 2K	1				
R54	89 284-340	RESISTOR 34,8K,1/4W,1%	1				
R55	89 284-341	RESISTOR 35,7K,1/4W,1%	1				
R56,96	90 364-221	RESISTOR 220Ω,1/4W,5%	2				
R67	90 366-158	RESISTOR 150Ω,2W,5%	1				
R68,85	90 364-472	RESISTOR 4,7K,1/4W,5%	2				
R69	95 413-325	RESISTOR POTI 25K	1				
R70	90 364-123	RESISTOR 12K,1/4W,5%	1				
R73,74	89 284-157	RESISTOR 432Ω,1/4W,1%	2				
R76,77	89 284-345	RESISTOR 39,2K,1/4W,1%	2				
R78,79	89 284-313	RESISTOR 18,2K,1/4W,1%	2				
R82	475000-825	RESISTOR 8,2MΩ,1/4W,5%	1				
R86,87	89 284-325	RESISTOR 24,3K,1/4W,1%	2				
R88,89	90 364-183	RESISTOR 18K,1/4W,5%	2				
R97	90 364-105	RESISTOR 1MΩ,1/4W,5%	1				
R99	89 282-598	RESISTOR 22Ω,1/2W,5%	1				
R45	80 925-001	REPLACEMENT MATER.RESISTOR 0,9Ω,2W,5%	1				
T1,2,13	80 935-001	TRANSISTOR PNP BC 327/40	3				
T3,4,5,8,9,10	90 327-003	TRANSISTOR PNP 2N3906	6				
T6,7	505004-001	TRANSISTOR 2N5460	2				
T11,12	90 326-001	TRANSISTOR NPN 2N3904	2				
T14	80 939-001	TRANSISTOR NPN BC 338-16	1				
1A	80 955-001	IC 3470	1				
1B	14 588-001	IC SN 74221	1				
1C,4G	385014-001	IC SN 74453	2				
1D,6D	13 602-001	IC SN 7438	2				
1E,3D,2C	92 127-001	IC SN 7404	3				
1G	80 938-001	IC ESM 227N	1				
2B,3E,3G	92 136-001	IC SN 7474	3				
2E	18 773-001	IC SB 7432	1				
2G	94 526-001	IC 9602	1				
3B	97 607-001	IC SN 7407	1				

REF. DESIGN.	PART NO.	DESCRIPTION	QTY PER ASSY NO: 88 366-XXX				
			001				
3F	19 296-001	IC SN 7402	1				
4B	12 282-001	IC LM 339	1				
5D	80 937-001	IC SAA 1027	1				
1A	97 273-002	IC-SOCKET, 18 POL.	1				
4D	97 272-001	IC-SOCKET, 16 POL.	1				



READ/WRITE CONTROL PCB COMPONENT LOCATIONS