

MAR 11, 1982

Micro-Minutes

NEWSLETTER OF THE HEWLETT-PACKARD MICRO-COMPUTER INTEREST GROUP

MAILING LIST FOR HP MICROCOMPUTER CLUB BUILDERS

S JOINER	10	D NUNGESTER	2I
B DOUGHERTY	11	A GREEN	35
S HOFFMAN	11L	D VAWTER	3US
M HODAPP	11L	D GORDON	42U
W BECKETT	11L	J YODEN	42U
D POCIUS	11U	T WATANABE	47U
M PIRAMOON	11U	T BOYLE	47U
J KIM	11U	D OLLINS	47U
D VANDERWATER	11U	L STAFFORD	4A
W HINTON	11U	S ERNST	4U
B WARD	11U	T PLASS	4U
J THOMPSON	11U	A DERVAN	51U
V MARIAN	12	D HARDING	52U
C SMITH	12	R BURRELL	53U
B GOODMAN	17	R FROID C/O B. Garcia	5L
T GILDEA	18	K TOBIN	5L
R SHARP	1T	B GARCIA	5L
E LITTAU	1U	P ZANDER	5M
R RANDALL	20BD	J SOCHA C/O C. Frank	5M
J ENGELHARDT	20BR	G THOMAS C/O P. Zander	5M
L CUTLER	25	N LYONS	5M
B SCHUCHARD	25L	J VADEBONCOEUR	5U
H WILSON	25U	R PINGER	5U
R DINKEY	25U	S THOMAS	5U
K HICKOX	25U	P GREY	5U
G HARKINS	25U	K LANE	5U
D WEIGEL	25U	L KIYAMA	5U
B KNAPP	28A	M TALLMON	6L
D LIDDELL	28B	B LEWIS	90L
D MOBERLY	28B	D PUNG	90U
K BATES	28C	R WONG	90U
D MCSORLEY C/O S. Hessel	29A	R WONG	9E
S HESSEL	29A	R MCBRIDE	RB-1
D NELSON	29A	J MEYERS	SSD

640 Page Mill Road, Palo Alto, California 94304 Telephone (415) 857-6261

FROM: Will Beckett

DATE: 3-11-82

TO: Computer Club Distribution

SUBJECT: Purchase of Epson printer

Attached is a full discription of the Epson printer. It is now time to make your mind up. Please send your checks to Barry Lewis Bld 90. The results of the survey are as follows:

Club	Outside	Total		Best Prices
17	15	32	Base MX-80	\$425
18	5	23	ROM	\$15
9	4	13	HPIB IEEE 488	\$52
9	0	9	RS 232	\$69
1	0	1	Friction Feed	\$100

We found out that the Graphics option, which contains three ROM's, will not work with the RS232 interface. If we order just the printer and ROM's now we can get the HPIB later if a board is made for our computer. Please get all checks in by the end of the month. Shipping charges will be no more than \$5, there is no tax.

Make checks payable to H.P.U.C.I.G.

PRINTER PURCHASE ORDER FORM

I would like to order the following:

QTY Price Name: _____ Bld # _____

\$425 Epson MX-80 Printer

\$ 15 3ea 2716 ROM's to be burned in with Epson Graphics

\$ 52 HPIB IEEE 488 Interface (can be ordered later)

\$ 69 RS232 Interface (our best unit price \$69)

\$ 25 Cable (sepcify both ends)

Total \$ for this order. +\$5 Shipping

1.4 General Specifications of MX-80

1.4.1 Printer

- (1) Printing Method Impact dot matrix
- (2) Character Set ASCII 96 + Graphic 64 + 9 special characters/symbols (Selectable by operator)
- (3) Character Font 9×9 dot matrix
- (4) Character Size 2.1 mm (W) × 3.1 mm (H) (0.08" × 0.12")
- (5) Paper Feed Adjustable sprocket feed
- (6) Paper Fanfold paper
- (7) Paper Width 101.6 mm (4") – 254 mm (10")
- (8) Copies One original plus two carbon copies
- (9) Paper Thickness 0.3 mm (0.01") max.
- (10) Line Spacing 4.23 mm (1/6") or programmable
- (11) Columns 80 (Normal size)
40 (Enlarged size)
132 (Condensed size)
66 (Condensed-enlarged size)
- (12) Print Speed 80 CPS (Normal)
- (13) Ribbon Cartridge Ribbon (exclusive use), Black
- (14) Dimensions 374 mm (W) × 305 mm (D) × 107 mm (H)
(14.7" × 12.0" × 4.2")
- (15) MTBF 5×10^6 lines (excluding print head)
- (16) Print Head Life 100×10^6 characters

1.4.2 Parallel Interface (Standard)

- (1) Data transfer rate 1,000 CPS (max.)
- (2) Synchronization By externally supplied STROBE pulses.
- (3) Handshaking By ACKNLG or BUSY signals
- (4) Logic level Input data and all interface control signals are compatible with the TTL level.

1.1 Features of MX-80

The MX-80 is a serial dot matrix printer featuring 80 CPS bi-directional printing with logical seeking capability and 9×9 dot-matrix character formation, and is a fruit of our constant efforts in pursuit of miniaturization, light weight and high performance. The Printer is thus capable of fully displaying its intended performance when used with various computers. The MX-80 also has optional interface boards to permit the connection of the Printer to any of the computers which are provided with various interfaces. By merely adding these optional interface boards to the MX-80, data transfer is possible between the computer and the MX-80.

1.2 Features of Interfaces

The MX-80 has a Centronics-compatible parallel interface as the standard equipment. With this standard interface, the MX-80 can be connected to any of various personal computers for data communication.

In addition to the standard interface, the MX-80 has the following interface options which permit the user to connect his Printer to almost all the computers equipped with various interfaces.

(1) RS-232C/Current Loop Serial Interface

This optional interface is of a 20mA/60mA current loop type which is the same as the level prescribed for serial interfaces by the EIA Standards, TTY, etc., and permits the Printer to receive data at a bit rate ranging from 75 to 9,600 BPS.

(2) IEEE 488 Interface

This optional interface has the bus structure defined by the IEEE Std. 488-1975, and permits the Printer to be connected parallelly to any computer or measuring instrument which is equipped with this bus structure. Thus, information such as measured data, etc. from the computer or measuring instrument can be recorded on the MX-80 printer.

(3) APPLE II Interface

This optional interface permits the MX-80 to transfer data to and from an APPLE II (or II Plus) personal computer manufactured by the Apple Computer Inc. when it is incorporated into the computer.

(4) TRS-80 Interface

This optional interface is connected to the bus system of a TRS-80 computer manufactured by the Tandy Radio Shack, to permit printing of the TRS-80 programs and other data on the MX-80.

As described above, the MX-80 is configured to cope with various interfaces. For further information on the respective interface options, refer to the user manual separately published for each interface.

1.3 Serviceability

The MX-80 has been designed to minimize maintenance and repair in operation under its normal use.

Should maintenance or repair be required, the printer mechanisms and circuit boards of the MX-80 are readily replaceable. Access to the respective mechanical components can be obtained easily. Accordingly, the user is permitted to perform minimum maintenance and repair with ease by referring to this manual.

(3) Power supply circuit

The power supply circuit is partially located on the main circuit board. However, the power transformer and line filter are mounted separately on the lower case. The power supply circuit supplies all the voltages required for the MX-80. The line filter consisting of capacitors blocks noises to and from an external source.

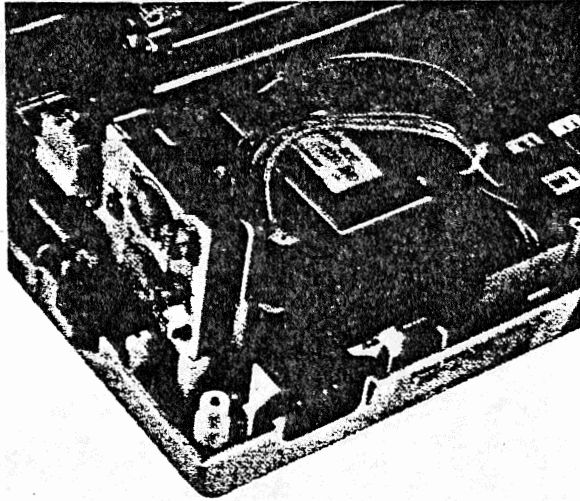


Fig. 1.3 Power Supply Circuit

(4) Housing

The housing of the MX-80 consists of an upper case and a lower case, and accommodates all the components described in paragraphs (1), (2) and (3) above. The lower case has been designed to facilitate mounting of the above-mentioned components.

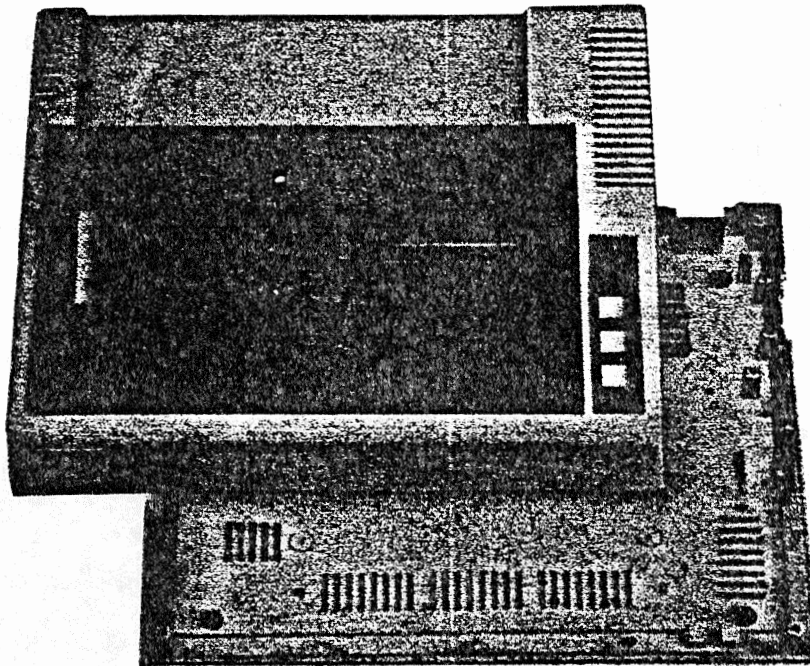


Fig. 1.4 Upper and Lower Cases

1.5 Major Components

The MX-80 consists, in a broad classification, of the following four major components.

(1) Model 3210 printer mechanism

This mechanism is an assembly of all the mechanical functions of the MX-80, and consists mainly of two stepper motors, a print head, a ribbon feeding mechanism, a carriage assembly, sensors and a frame section. One stepper motor functions as the print head carriage motor, while the other works as the paper feeding motor. The M-3210 has been designed extremely simple to permit easy maintenance as described later in this manual.

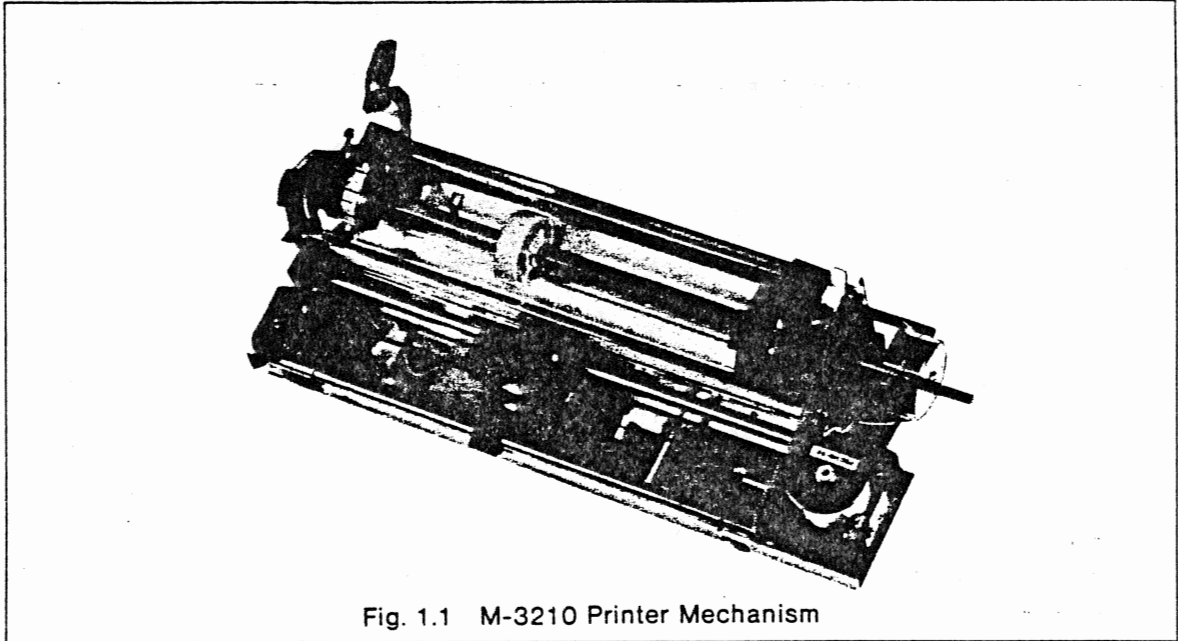


Fig. 1.1 M-3210 Printer Mechanism

(2) Circuit boards

The MX-80 is provided with two printed circuit boards as the standard equipment. One printed circuit board functions as a main circuit board (control circuit board) with an LSI 8049 for printer control. On the main circuit board, the other printed circuit board serving as a driver circuit board is secured with two screws. The M-3210 is controlled through the 28-pin connector attached to the driver circuit board.

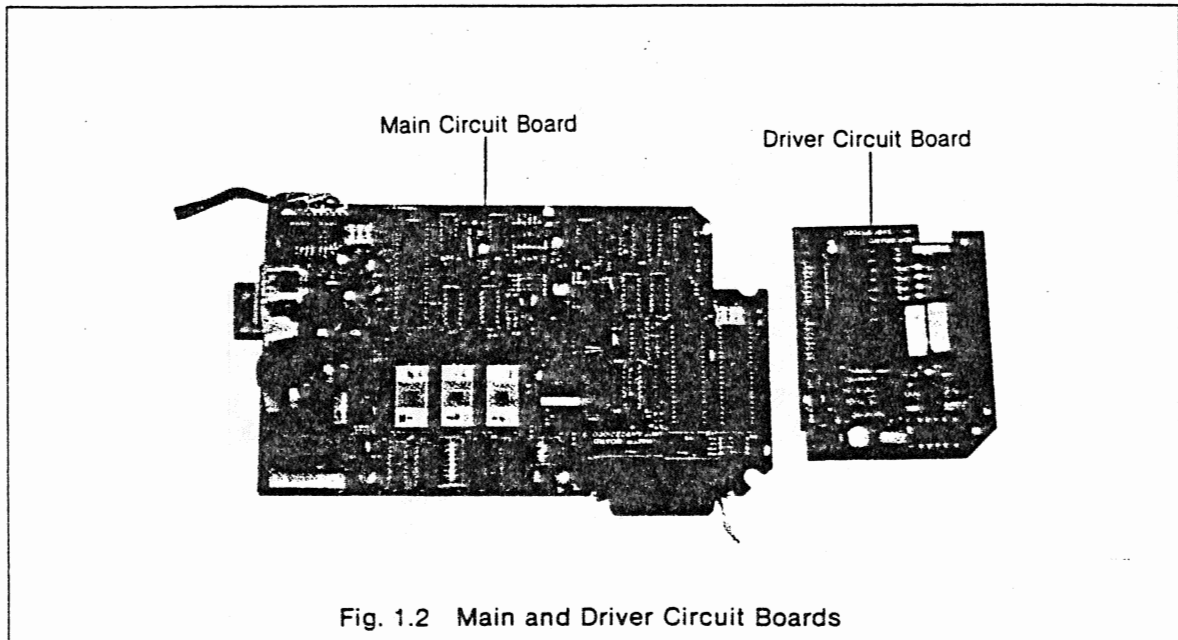


Fig. 1.2 Main and Driver Circuit Boards

Orange Micro inc.

Interface LBL \$70
RS232

PRINT SAMPLES

ANADEx 9501 \$1350

Best price w/o quantity discount

THIS IS MY 220 CHARS. MODE

!"#\$%&'()*+,-./0123456789:;<=>?@ABCDEFGHIJKLMNPOQRSTUVWXYZ[\]^_`abcdefghijklmnopqrstuvwxyz{|}~

THIS IS MY 136 CHARS. MODE

!"#\$%&'()*+,-./0123456789:;<=>?@ABCDEFGHIJKLMNPOQRSTUVWXYZ[\]^_`abcdefghijklmnopqrstu

THIS IS MY 86 CHARS. MODE

CENTRONICS 739 \$595

THIS IS MY 132 CHARS. MODE IN MONOSPACING MODE

!"#\$%&'()*+,-./0123456789:;<=>?@ABCDEFGHIJKLMNPOQRSTUVWXYZ[\]^_`abcdefghijklmnopqrstu

THIS IS MY 80 CHARS. MODE WITH PROPORTIONAL SPACING

!"#\$%&'()*+,-./0123456789:;<=>?@ABCDEFGHIJKLMNPOQRSTUVWXYZ[\]^_`abcdefghijklmnopqrstu
MY 40 CHARS. MODE WITH PROPORTIONAL SPACING

EPSON MX-70 \$375

THIS IS MY 80 CHARS. MODE

!"#\$%&'()*+,-./0123456789:;<=>?@ABCDEFGHIJKLMNPOQRSTUVWXYZ[\]^_`abcdefghijklmnopqrstu
THIS IS MY 40 CHARS. MODE

!"#\$%&'()*+,-./0123456789:;<=>?@ABCDEFGHIJKLMNPOQRSTUVWXYZ[\]^_`abcdefghijklmnopqrstu
THIS IS MY 40 CHARS. MODE

EPSON MX-80 \$450 (w/ROM)

THIS IS MY 132 CHARS. MODE

!"#\$%&'()*+,-./0123456789:;<=>?@ABCDEFGHIJKLMNPOQRSTUVWXYZ[\]^_`abcdefghijklmnopqrstu

THIS IS MY 80 CHARS. MODE WITH DOUBLE STRIKE FEATURE

!"#\$%&'()*+,-./0123456789:;<=>?@ABCDEFGHIJKLMNPOQRSTUVWXYZ[\]^_`abcdefghijklmnopqrstu
THIS IS MY 40 CHARS. MODE

THIS IS MY EMPHASIZED PRINT MODE

!"#\$%&'()*+,-./0123456789:;<=>?@ABCDEFGHIJKLMNPOQRSTUVWXYZ[\]^_`abcdefghijklmnopqrstu

PAPER TIGER IDS 460 \$900

THIS IS MY 132 CHARS. MODE WITH PROPORTIONAL SPACING

!"#\$%&'()*+,-./0123456789:;<=>?@ABCDEFGHIJKLMNPOQRSTUVWXYZ[\]^_`abcdefghijklmnopqrstu

THIS IS MY 80 CHARS. MODE WITH PROPORTIONAL SPACING

!"#\$%&'()*+,-./0123456789:;<=>?@ABCDEFGHIJKLMNPOQRSTUVWXYZ[\]^_`abcdefghijklmnopqrstu

THIS IS MY 40 CHARS. MODE WITH PROPORTIONAL SPACING

MALIBU \$2585

!"#\$%&'()*+,-./0123456789:;<=>?@ABCDEFGHIJKLMNPOQRSTUVWXYZ[\]^_`abcdefghijklmnopqrstu
THIS IS MY 40 CHARS. MODE WITH PROPORTIONAL SPACING

!"#\$%&'()*+,-./0123456789:;<=>?@ABCDEFGHIJKLMNPOQRSTUVWXYZ[\]^_`abcdefghijklmnopqrstu
THIS IS MY 40 CHARS. MODE WITH PROPORTIONAL SPACING

!"#\$%&'()*+,-./0123456789:;<=>?@ABCDEFGHIJKLMNPOQRSTUVWXYZ[\]^_`abcdefghijklmnopqrstu
THIS IS MY 40 CHARS. MODE WITH PROPORTIONAL SPACING