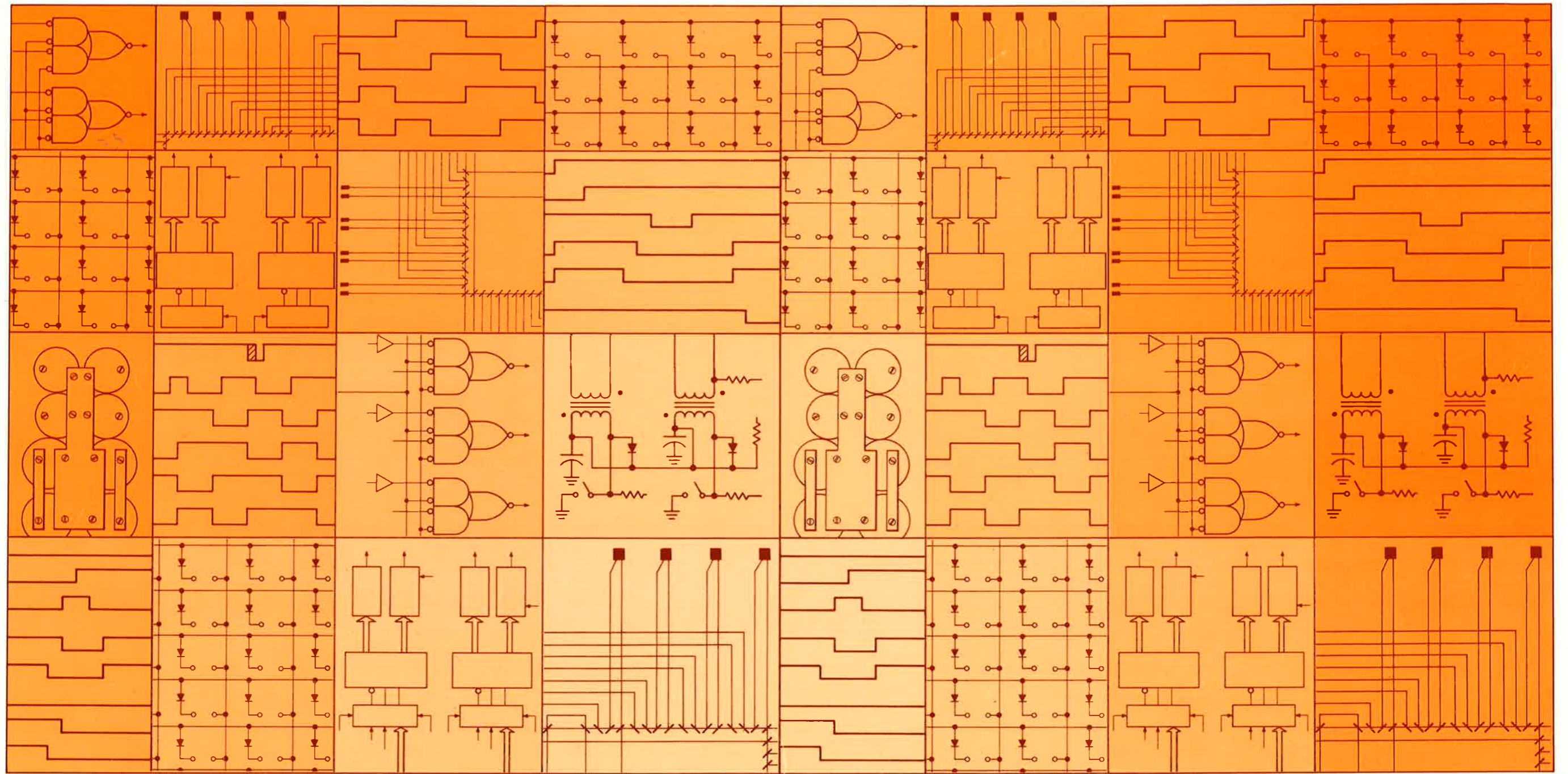


pdp8/e

pdp8/f & pdp8/m



digital

**VC8-E point-plot
display control
engineering drawings**

This drawing and specifications, herein, are the property of Digital Equipment Corporation and shall not be reproduced or copied or used in whole or in part as the basis for the manufacture or sale of items without written permission.

MASTER DRAWING LIST

DWG. NO.	REV. LET.	NO. OF SHEETS	TITLE
C-UA-VC8-E-0	B	1	DISPLAY CONTROL VC8-E
A-PL-VC8-E-0	B	1	DISPLAY CONTROL VC8-E (PL)
E-CS-M869-0-1	#	2	VC8 PT PLOT DSPL CONT (CONT)
E-CS-M885-0-1	#	2	VC8 PT PLOT DSPL CONT (D/A)
A-SP-VC8-E-1	REF	17	ENGINEERING SPECIFICATIONS
A-SP-VC8-E-2	REF	8	ACCEPTANCE PROCEDURES
A-AL-VC8-E-3		2	ACCESSORY LIST (VC8-E)
D-UA-BC01K-0-0 *	REF	1	VR14 SCOPE CABLE
D-UA-BC01L-0-0	REF	1	602 SCOPE CABLE
D-IA-7008491-0-0	REF	1	RM503 SCOPE CABLE
D-IA-7008499-0-0 *	REF	1	USER SPECIFIED SCOPE CABLE
D-IA-7008977-0-0	REF	1	611 STORAGE SCOPE CABLE
			*INCLUDED IN A-ML-LAB8-E

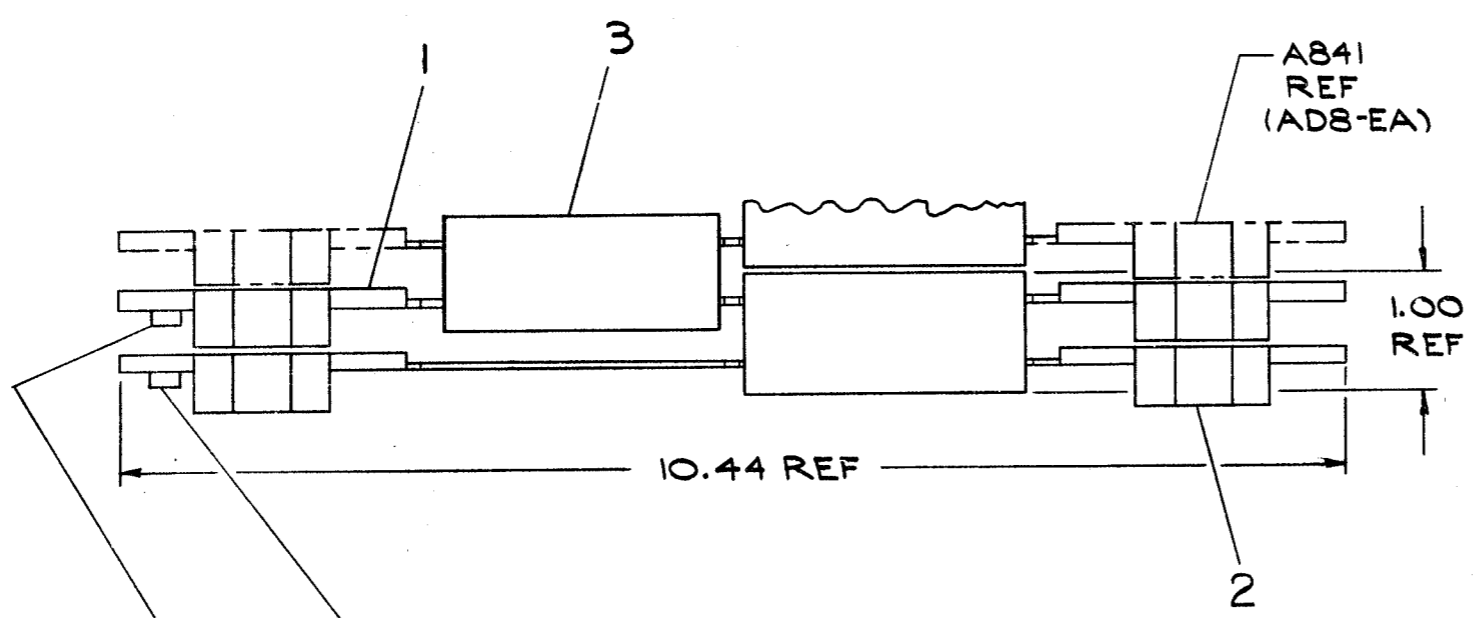
REVISIONS				DRN.	DATE	digital EQUIPMENT CORPORATION <small>MAYNARD, MASSACHUSETTS</small>	TITLE
REV.	DATE	CHG. NO.	APP'D.	D. CRABBE	4-1-71		
A	11/71	00001	A.W.	<i>D. Crabbe</i>	4-28-71	DISPLAY CONTROL VC8-E	
B	1/72	LAB8E-13	G.B.	<i>D. Crabbe</i>	4-28-71		
C	8/72	VC8E-2	A.C.F.	<i>M. Calomby</i>	4-28-71		
				PROD. ENG.	DATE		
				PROD.	DATE		
				FIRST USED ON			
				LAB8-E			
				SCALE			
				SHEET 1 OF 1			
				DIST.			
				SIZE	CODE	NUMBER	REV.
				A	ML	VC8-E	C

This drawing and specifications, herein, are the property of Digital Equipment Corporation and shall not be reproduced or copied or used in whole or in part as the basis for the manufacture or sale of items without written permission.

NOTES:

1. ITEM NO.1 AND ITEM NO.2, MUST ALWAYS BE FACING FRONT OF MACHINE AS SHOWN.
2. NO CONNECTION WHEN AD8-EA IS USED.
3. BC01K - VR14 OR VR20 OPTION
BC01L - USED WITH TEKTRONIX 602 OR EQUIVALENT.
7008499 - USERSPECIFIED SCOPE.
7008491 - RM503 SCOPE.
7008977 - 611 STORAGE SCOPE CABLE

D
C
B
A



USED WITH ANALOG POWER CABLE ASSY. 7008375 REF SEE NOTE #2

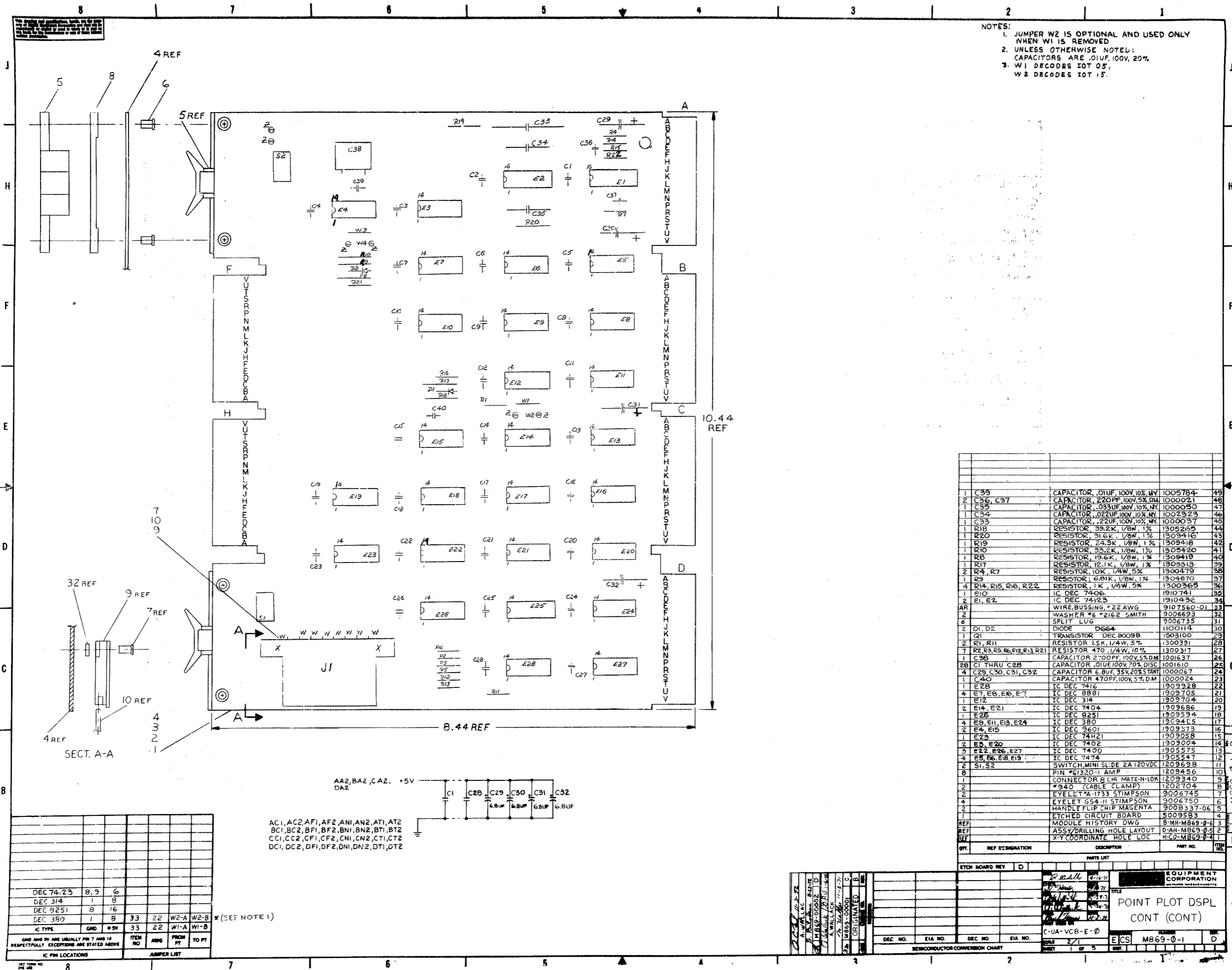
USED WITH BC01K, BC01L, 7008499, 7008491, 7008977 REF (SEE NOTE 3)

REV.	CHANGE NO.	REV.
A	VC8E-00001	11-3-71
B	VC8E-00002	1-25-72

A WALLACK
 BUDIAN SKY
 9-12-72

FIRST USED ON OPTION MODEL	QTY.	DESCRIPTION	PART NO.	ITEM NO.
LAB8-E				
PARTS LIST				
UNLESS OTHERWISE SPECIFIED		DRN. <i>D. Ferguson</i>	DATE 4-8-71	digital EQUIPMENT CORPORATION MAYNARD, MASSACHUSETTS TITLE DISPLAY CONTROL VC8-E
UNLESS OTHERWISE SPECIFIED		CHK'D. <i>D. Cable</i>	DATE 4-28-71	
DIMENSION IN INCHES		ENG. <i>D. Cable</i>	DATE 4-28-71	
TOLERANCES		PRD. ENG. <i>A. DeWinsky</i>	DATE 4-28-71	
DECIMALS ± .005		FRACIONS ± 1/64	ANGLES ± 0°30'	
MATERIAL		PROD. <i>W. H. Hesse</i>	DATE 7-29-71	SIZE CODE C UA
FINISH		SCALE 1/1	SHEET 1 OF 1	NUMBER VC8-E-0
				REV. B

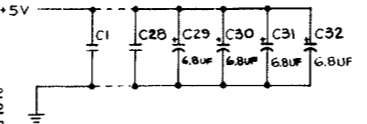
REV. B
NUMBER
VC8-E-0
SIZE CODE
C UA



NOTES:
 1. JUMPER W2 IS OPTIONAL AND USED ONLY WHEN W1 IS REMOVED
 2. UNLESS OTHERWISE NOTED: CAPACITORS ARE .01UF, 100V, 20%
 3. W1 DECODES TOT 05, W2 DECODES TOT 15.

IC PART NO.	QTY	REV	LOC	REF	DESCRIPTION
DEC 74-23	8	3	6		
DEC 314	1	8			
DEC 8251	8	16			
DEC 380	1	8			
IC TYPE	GND	+5V			
	33	22	W2-A	W2-B	
	33	22	W1-A	W1-B	

AA2, BA2, CA2, +5V
 DA2



AC1, AC2, AF1, AF2, AN1, AN2, AT1, AT2
 BC1, BC2, BF1, BF2, BN1, BN2, BT1, BT2
 CC1, CC2, CF1, CF2, CN1, CN2, CT1, CT2
 DC1, DC2, DF1, DF2, DN1, DN2, DT1, DT2

QTY	REF DESIGNATION	DESCRIPTION	PART NO.	ITEM NO.
1	C33	CAPACITOR, .01UF, 100V, 10%, NY	1005784	49
2	C36, C37	CAPACITOR, 220PF, 100V, 5%, DM	1000021	48
1	C35	CAPACITOR, .033UF, 100V, 10%, NY	1000050	47
1	C34	CAPACITOR, .022UF, 100V, 10%, NY	1002323	46
1	C33	CAPACITOR, .22UF, 100V, 10%, NY	1000037	45
1	R18	RESISTOR, 33.2K, 1/8W, 1%	1305255	44
1	R20	RESISTOR, 31.6K, 1/8W, 1%	1309416	43
1	R19	RESISTOR, 24.3K, 1/8W, 1%	1309418	42
1	R10	RESISTOR, 33.2K, 1/8W, 1%	1305420	41
1	R8	RESISTOR, 19.6K, 1/8W, 1%	1309419	40
1	R17	RESISTOR, 12.1K, 1/8W, 1%	1303313	39
2	R4, R7	RESISTOR, 10K, 1/4W, 5%	1300479	38
1	R9	RESISTOR, 6.81K, 1/8W, 1%	1304870	37
4	E14, E15, E16, R22	RESISTOR, 1K, 1/4W, 5%	1300368	36
1	E1	IC DEC 7406	1910741	35
2	E1, E2	IC DEC 74123	1910436	34
AR		WIRE, BUSSING, #22 AWG	9107560-01	33
2		WASHER #6 #2162 SMITH	9006693	32
6		SPLIT LUG	9006735	31
2	D1, D2	DIODE D664	1100114	30
2	R1, R11	TRANSISTOR DEC 3009B	1303100	29
7	R2, R3, R5, R6, R12, R13, R21	RESISTOR 1.5K, 1/4W, 5%	1300391	28
1	C38	RESISTOR 470, 1/4W, 10%	1300317	27
1	C38	CAPACITOR 2700PF, 120V, 5%, DM	1001637	26
28	C1 THRU C28	CAPACITOR .01UF, 100V, 20%, DISC	1001610	25
4	C29, C30, C31, C32	CAPACITOR 6.8UF, 35V, 20% TANT	1000067	24
1	C40	CAPACITOR 470PF, 100V, 5%, DM	1000024	23
1	E28	IC DEC 7416	1909928	22
4	E7, E8, E6, E7	IC DEC 8881	1909705	21
1	E12	IC DEC 314	1909704	20
2	E14, E21	IC DEC 7404	1909686	19
1	E25	IC DEC 8251	1909594	18
4	E9, E11, E13, E24	IC DEC 380	1303465	17
2	E4, E15	IC DEC 9601	1909373	16
1	E23	IC DEC 74H21	1909058	15
2	E5, E20	IC DEC 7402	1909004	14
3	E22, E26, E27	IC DEC 7400	1905575	13
4	E5, E6, E18, E19	IC DEC 7474	1905547	12
2	S1, S2	SWITCH, MINI SLIDE 2A 120VDC	1209698	11
8		PIN #61320-1 AMP	1209456	10
2		CONNECTOR 8 CIR MATE-N-LOK	1209340	9
2		#940 (CABLE CLAMP)	1202704	8
2		EYELET #A-1733 STIMPSON	9006745	7
4		EYELET G54-J1 STIMPSON	9006750	6
2		HANDLE FLIP CHIP MAGENTA	9008337-06	5
REF		ETCHED CIRCUIT BOARD	5009583	4
REF		MODULE HISTORY DWG	8-MH-M869-0-6	3
REF		ASSY/DRILLING HOLE LAYOUT	8-AH-M869-0-5	2
REF		X-Y COORDINATE HOLE LOC	8-CO-M869-0-4	1

ETCH BOARD REV D

EQUIPMENT CORPORATION

POINT PLOT DSPL (CONT) (CONT)

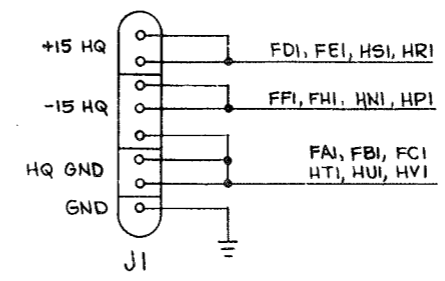
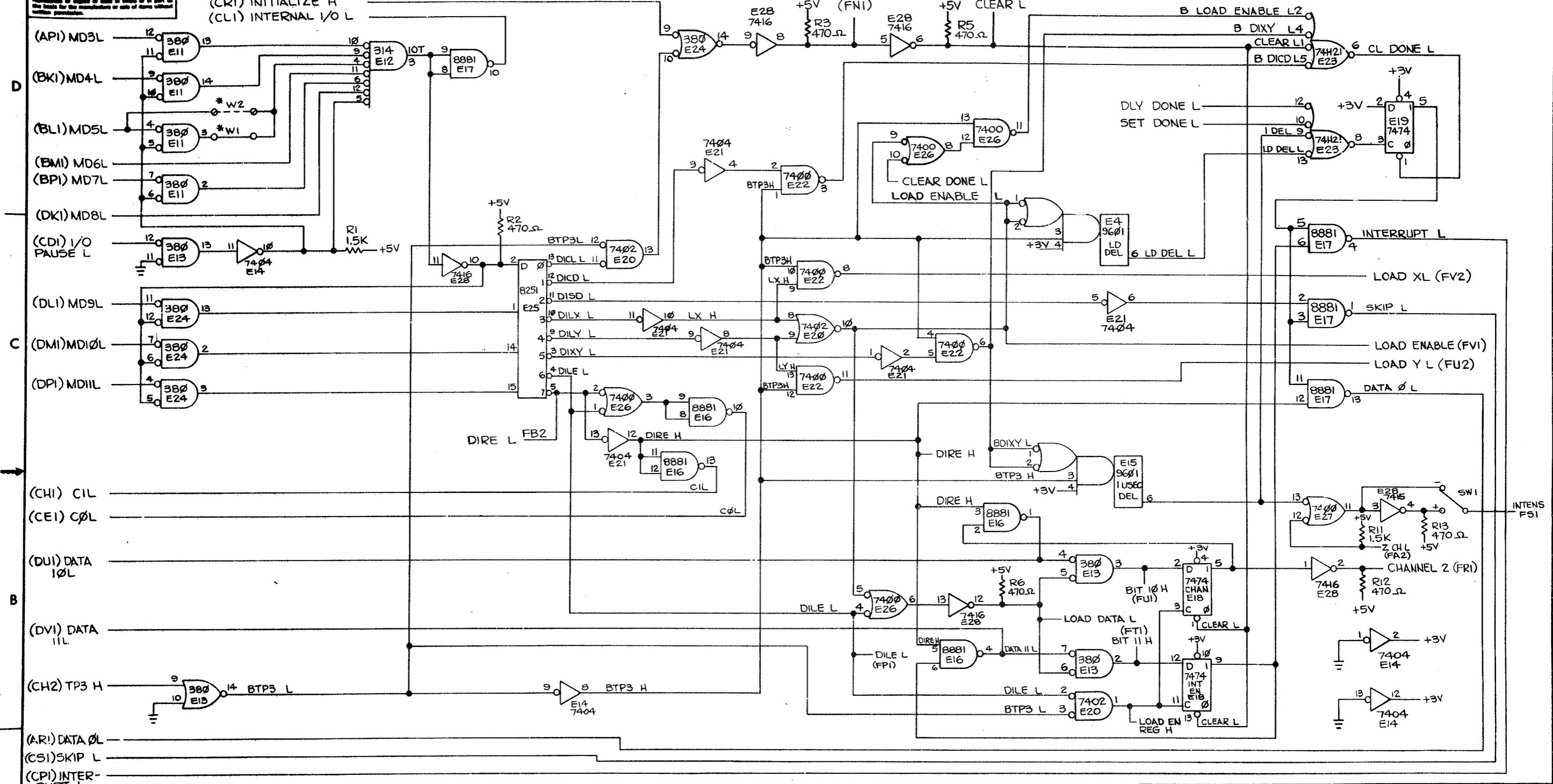
C-UA-VCR-E-0

DEC NO. EIA NO. DEC NO. EIA NO.

SEMICONDUCTOR CONVERSION CHART

SHEET 1 OF 5

This drawing and specifications, herein, are the property of Digital Equipment Corporation and shall not be reproduced or copied in whole or in part in any form for the manufacture or sale of items without written permission.

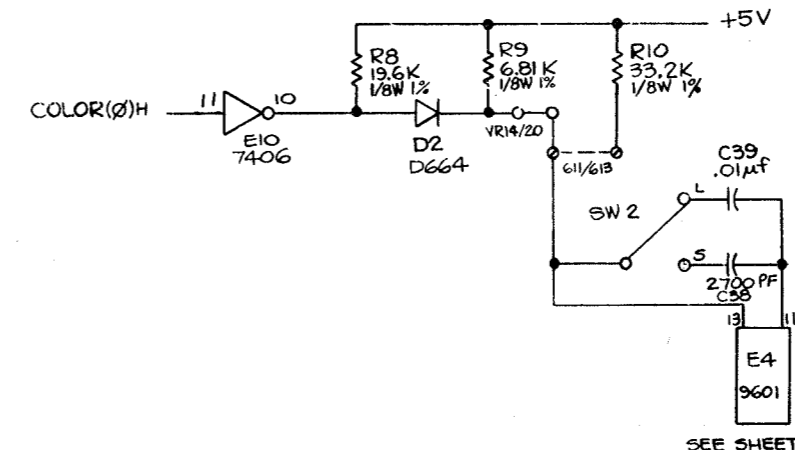
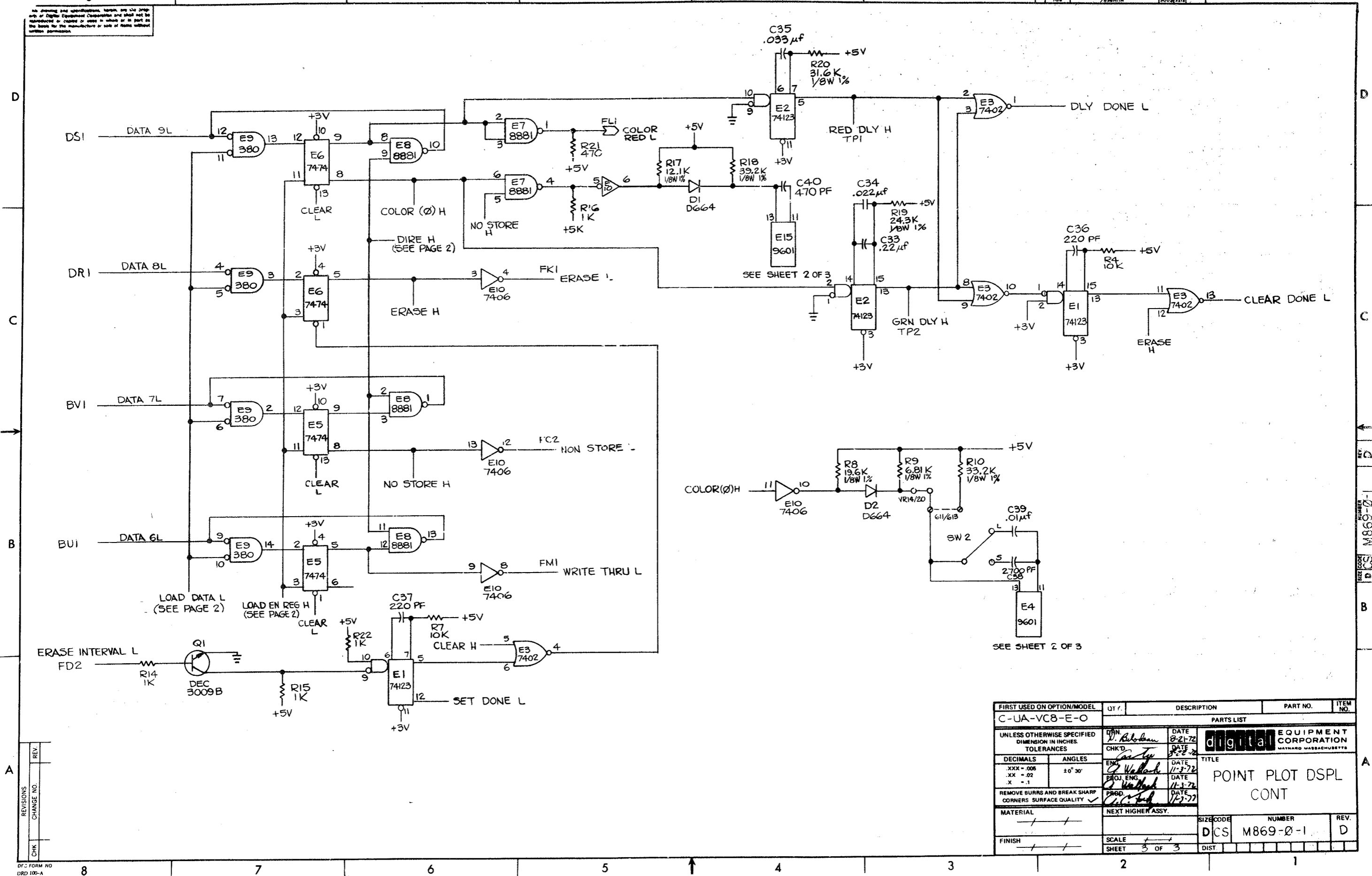


FIHST USED ON OPTION/MODEL	QTY.	DESCRIPTION	PART NO.	ITEM NO.
C-UA-VCB-E-0				
UNLESS OTHERWISE SPECIFIED DIMENSION IN INCHES. TOLERANCES				
DECIMALS	ANGLES	PARTS LIST		
.XXX = .005	10° 30'	digital EQUIPMENT CORPORATION MAYNARD, MASSACHUSETTS		
.XX = .02		TITLE		
.X = .1		POINT PLOT DSPL CONT (CONT)		
REMOVE BURRS AND BREAK SHARP CORNERS SURFACE QUALITY		MATERIAL		
		NEXT HIGHER ASSY.		
FINISH		SCALE	NUMBER	REV.
		SHEET 2 OF 3	D CS M869-0-1	D

REV.	CHANGE NO.	DESCRIPTION

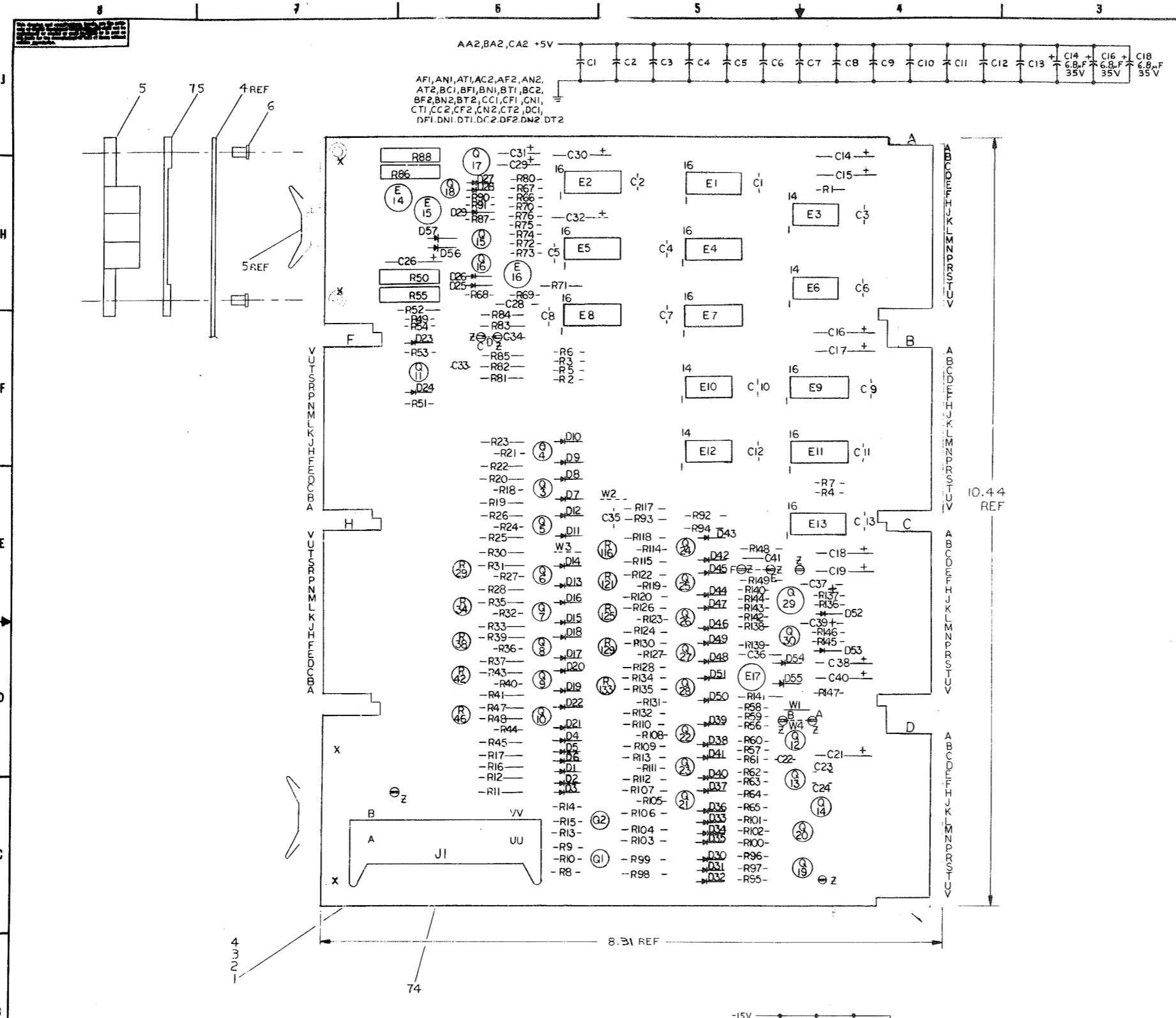
REV. D
NUMBER M869-0-1
CS
D

All drawings and specifications herein are the property of Digital Equipment Corporation and shall not be reproduced or copied in whole or in part or the same for the manufacture or sale of parts without written permission.



FIRST USED ON OPTION/MODEL	QTY	DESCRIPTION	PART NO.	ITEM NO.
C-UA-VC8-E-0		PARTS LIST		
UNLESS OTHERWISE SPECIFIED DIMENSION IN INCHES				
TOLERANCES		DECIMALS ANGLES .XXX - .006 10° 30' .XX - .02 .X - .1		
REMOVE BURRS AND BREAK SHARP CORNERS SURFACE QUALITY		DATE: 8-21-72 DATE: 8-28-72 DATE: 11-3-72 DATE: 11-3-72 DATE: 12-7-72		
MATERIAL		NEXT HIGHER ASSY.		
FINISH		SCALE: 3 OF 3		
		SIZE CODE: DCS NUMBER: M869-0-1 REV: D		

REV.	CHANGE NO.



- NOTES:
- UNLESS OTHERWISE NOTED: CAPACITORS ARE .01, F, 100V, 20%. TRANSISTORS ARE DEC 3009B
 - DIODES ARE DEC 664
 - 10Q GROUND IS INDICATED BY: LOGIC GROUND IS INDICATED BY: DIODES MARKED IN 711 MAY BE HP 5082-2800

QTY.	REF DESIGNATION	DESCRIPTION	PART NO.
2	J1	SPACER (CABLE CLAMP)	1202704
1	J1	CONNECTOR BERG	1202941
9		SPLIT LVG	9006735
AR		WIRE, BUSSING, #22 AWG	9107560-01
2	R29, R116	POT 500K 1/2W 10%	1309150-09
2	R34, R121	POT 100K 1/2W 20% 62PR	1309150-05
2	R46, R133	POT 20K 1/2W 20% 62PR	1309150-02
2	R50, R55	POT 2K 3/4W 10% 76PR	1309143-08
2	R56, R59	POT 500K 3/4W 10% 76PR	1309143-06
2	R39, R42, R125, R129	POT 50K 1/2W 20% 62PR	1309150-11
13	R49, R51, R61, R63, R67, R69, R70, R71, R72, R73, R74, R75, R76, R77, R78, R79, R80, R81, R82, R83, R84, R85, R86, R87, R88, R89, R90, R91, R92, R93, R94, R95, R96, R97, R98, R99	RES 330K 1/4W 5%	1300309
1	R54	RES 470K	1300316
8	R67, R74, R80, R83, R84, R85, R86, R87, R88, R89, R90, R91, R92, R93, R94, R95, R96, R97, R98, R99	RES 18K	1302124
1	R58	RES 1.2K	1301320
2	R72, R142	RES 10K	1300479
4	R66, R75, R136, R145	RES 4.7K	1300447
2	R53, R87	RES 3.9K	1300444
7	R57, R62, R64, R97, R112, R108, R15	RES 2.2K	1300417
3	R73, R143, R65	RES 47K	1300202
4	R2, R3, R5, R6	RES 2.7K	1300426
3	R1, R4, R7	RES 1K	1300365
1	R59	RES 6.8K	1301423
1	R60	RES 100K	1300229
24	R8, R9, R13, R14, R15, R16, R17, R18, R19, R20, R21, R22, R23, R24, R25, R26, R27, R28, R29, R30, R31, R32, R33, R34, R35, R36, R37, R38, R39, R40, R41, R42, R43, R44, R45, R46, R47, R48, R49, R50, R51, R52, R53, R54, R55, R56, R57, R58, R59, R60, R61, R62, R63, R64, R65, R66, R67, R68, R69, R70, R71, R72, R73, R74, R75, R76, R77, R78, R79, R80, R81, R82, R83, R84, R85, R86, R87, R88, R89, R90, R91, R92, R93, R94, R95, R96, R97, R98, R99	RES 3.3K 1/4W 5%	1300439
1	R52	RES 3.16K 1/8W 1% MF	1303045
2	R25, R112	RES 31.6K	1309416
2	R37, R124	RES 3.83K	1309413
2	R84, R149	RES 866K	1309293
2	R17, R104	RES 256K	1305517
2	R20, R107	RES 128K	1305516
2	R23, R110	RES 64K	1305515
2	R26, R113	RES 32K	1305514
2	R47, R134	RES 200K	1305336
4	R11, R12, R98, R99	RES 511K	1305323
2	R19, R106	RES 121K	1305255
2	R22, R109	RES 68.1K	1305252
4	R49, R85, R92, R135	RES 1K	1304865
2	R16, R103	RES 243K	1304843
4	R41, R81, R93, R128	RES 1.96K	1304833
6	R30, R31, R35, R117, R118, R122	RES 7.985K	1303206
4	R45, R132, R141, R71	RES 1K	1303114
2	R83, R148	RES 133K	1303038
2	R28, R115	RES 14.7K	1302941
2	R39, R126	RES 3.987K	1302478
2	R43, R130	RES 1.992K	1302677
4	R33, R82, R94, R120	RES 8.25K 1/8W 1% MF	1309420
32	D9, D22, D25, D26, D38, D54	DIODE D664	1100114
3	D23, D27, D28	DIODE IN825	1101385
8	D24, D29, D54, D57	DIODE IN752A	1102808
8	D2, D3, D5, D6, D31, D32, D34, D35	DIODE FD777	1103041
8	D1, D4, D7, D8, D30, D33, D36, D37	DIODE IN5711	1106003
1	C22	CAP 10PF 100V 5% DM	1000006
2	C34, C41	CAP 47PF 100V 5% DM	1000011
12	C14, C19, C21, C26, C32, C30, C38, C4	CAP 6.8F 35V 20% TANT	1000067
15	C1, C3, C23, C24	CAP .01F 100V 20% DISC	1001610
4	C29, C31, C37, C39	CAP .15F 35V 10% TANT	1002190
2	C28, C36	CAP 3300PF 100V 10%	1005116
2	C33, C35	CAP 100PF 100V 5% DM	1000016
4	Q15, Q17, Q18, Q29	TRANS DEC 2219	1501881
21	Q1, Q10, Q13, Q19, Q28	TRANS DEC 3009B	1503100
4	Q11, Q14, Q16, Q30	TRANS DEC 6534D	1503409
1	Q12	TRANS 2N4313	1505715
2	E14, E15	I.C. LM302	1909343
2	E10, E12	I.C. DEC 7404	1909686
2	E16, E17	I.C. MC1439	1909761
3	E9, E11, E13	I.C. DEC 8235	1909935
2	E3, E6	I.C. DEC 6380	1909971
6	E1, E2, E4, E5, E7, E8	I.C. DEC 74193	1910018
4		EYELET GS-4-11 STIMPSON	9006750
2		HANDLE FLIP CH P MAGENTA	9038317-06
2		ETCHED CIRCUIT BOARD	5009625
REF		MODULE HISTORY DWG	B-MH-M885-0-6
REF		ASSY/DRILLING HOLE LAYOUT	D-AH-M885-0-3
REF		X-Y COORDINATE HOLE LOC	K-CO-M885-0-4

IC TYPE	QTY	REF	LOCATIONS
DEC 6380	1	8	76
DEC 74193	8	16	76
IC TYPE	QTY	REF	LOCATIONS
W4-A	W4-B	W3-A	W3-B
W2-A	W2-B	W1-A	W1-B

ETCH BOARD REV E

2N4313	1	1909343
IN5711	8	1106003
DEC 6534D	4	1503409
DEC 3009B	21	1503100
DEC 2219	4	1501881
FD777	8	1103041
D664	32	1100114
IN3606	12	1000067
IN825	3	1101385
SAME	15	1001610
SAME	4	1002190
SAME	2	1005116
SAME	2	1000016
SAME	4	1501881
SAME	21	1503100
SAME	4	1503409
SAME	1	1505715
SAME	2	1909343
SAME	2	1909686
SAME	2	1909761
SAME	3	1909935
SAME	2	1909971
SAME	6	1910018
SAME	4	9006750
SAME	2	9038317-06
SAME	2	5009625

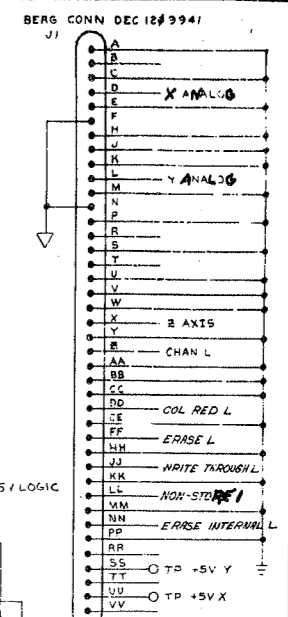
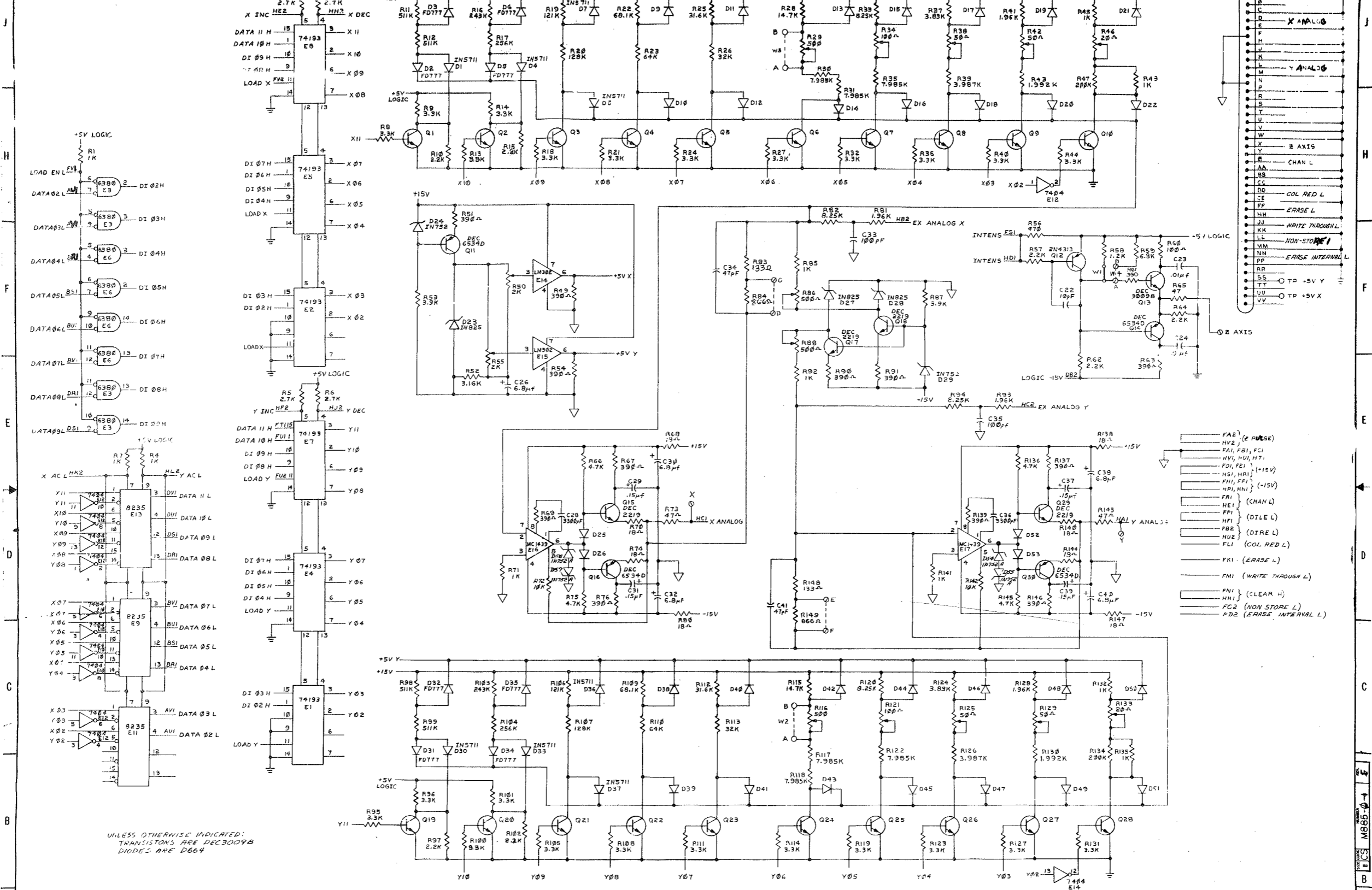
EQUIPMENT CORPORATION

POINT PLOT D/A
SECT. 2 CONT

DATE: 7-1-71

SCALE: 2/1

This drawing and specifications herein are the property of Digital Equipment Corporation and shall not be reproduced or used in any way or for any purpose without the prior written consent of Digital Equipment Corporation.



FIRST USED ON OPTION/REV	QTY	DESCRIPTION	PART NO.	ITEM NO.
LAB 8/E				
UNLESS OTHERWISE SPECIFIED				
DIMENSION IN INCHES				
TOLERANCES				
DECIMAL FRACTIONS ANGLES				
FRACTIONS ANGLES				
REMOVE BURRS AND BREAK SHARP CORNERS				
MATERIAL				
FINISH				
SCALE NONE				
SHEET 2 OF 2				

REV. 100

DATE 7-2-71

ITEM NO. 100

LAB 8/E
EQUIPMENT CORPORATION
POINT PLOT D/A
SPEC. 2 CONN

NUMBER M885-2-1
REV. F

