

DIGITAL'S CABINETS—THERE'S MORE THAN MEETS THE EYE.



ACCESSORIES & SUPPLIES

To meet today's variety of applications and needs, a computer cabinet must combine pleasing design, sound engineering and flexibility. Digital's line of computer cabinetry does this and more.

**Digital Cabinets.
What Meets The Eye.**

There's a special look to Digital cabinets. Clean, smooth lines; simple, understated styling. Design that blends with a wide variety of work environments. But what will really make you appreciate Digital cabinets goes unseen.

**Digital Cabinets.
More Than Meets The Eye.**

What isn't visible are the thousands of hours of research and engineering that have made our cabinets easier to use, safer to operate, faster to service.

And what isn't visible is how Digital controls the quality of cabinets by controlling the manufacturing. Every part we manufacture must meet stringent quality controls and high Digital standards.

And what isn't visible is the testing. We put each cabinet through rigorous testing before it reaches the marketplace: to insure that it will stand up under the most difficult working conditions. We even test our packaging for structural integrity: to ensure your package arrives the same way it leaves: no dents, no scratches.

The Optimum In Flexibility

For a cabinet to be truly effective it must have the capability to fit a variety of needs. Digital's line of cabinetry provides the flexibility to do just that.

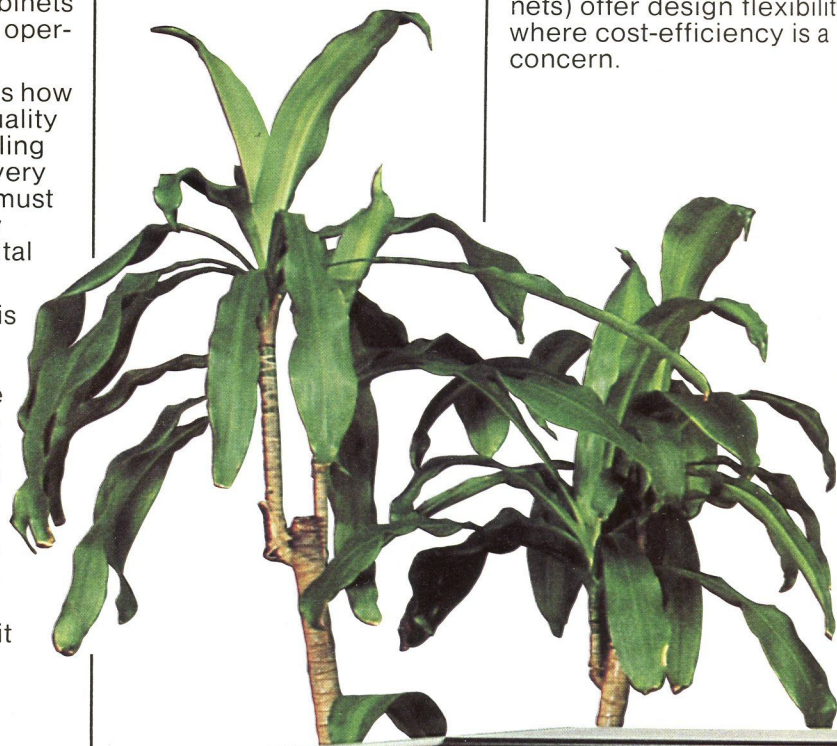
Modular Flexibility. Digital cabinets provide the flexibility inherent to modular design. They can be used alone; in multiples; or with other cabinets in an existing system. whether your business is large or small, your space requirements extensive or limited, this modular flexibility allows you to create a system to fit your present needs; or to adapt to your future ones.

Storage Flexibility. Digital's cabinets offer the flexibility to meet today's varying mass storage requirements. Each

cabinet series is designed to hold a variety of Digital mass storage devices and processors as well as those of other OEM-designed systems using the 19" rack mounted equipment. This mass storage flexibility allows you to tailor each cabinet to best fit your specific requirements.

Design Flexibility. Design flexibility provides you with the option of incorporating various accessories developed to meet specific systems requirements. There are fan assemblies to ensure proper system cooling, stabilizer bars for safe operation and servicing, and power controllers (standard on many models) to regulate and distribute ac voltage to power supplies, fans and other ac operated equipment.

Component kits (available on a number of series cabinets) offer design flexibility where cost-efficiency is a concern.



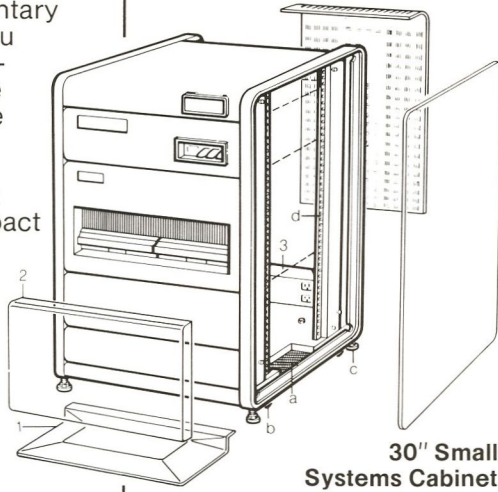


30" Small Systems Series

30" Small Systems Cabinets. The 30" Small Systems Cabinet is the ideal equipment enclosure for growing companies. It can hold a variety of Digital mass storage devices and processors as well as other OEM-designed systems using 19" rack mounted equipment. Its clean styling and durability make for an extremely practical cabinet for any working environment.



Work Stations. Digital work stations give you an attractive and complementary desk area where you need it... near a processor. They can be used as stand-alone units or they can be attached to our 30" cabinets to create a complete and compact systems work environment.



30" Small Systems Cabinet

Diagram References
30" Small Systems Cabinet (H9610)
Work Station (H9614)

- ACCESSORY HARDWARE—Optional**
- (1) H9514 KA Stabilizer Foot
 - (2) H950 NC 3 1/2" Filler Panel
 - H9504 SC 5 1/4" Filler Panel
 - H9504 UC 10 1/2" Filler Panel
 - (3) **POWER CONTROLLERS—Standard on most models**
 - 871 A 120 Volt/12 Amp
 - 871 B 240 Volt/8 Amp
 - 871 C Heavy Duty, high current 120 Volt/16 Amp

STANDARD FEATURES

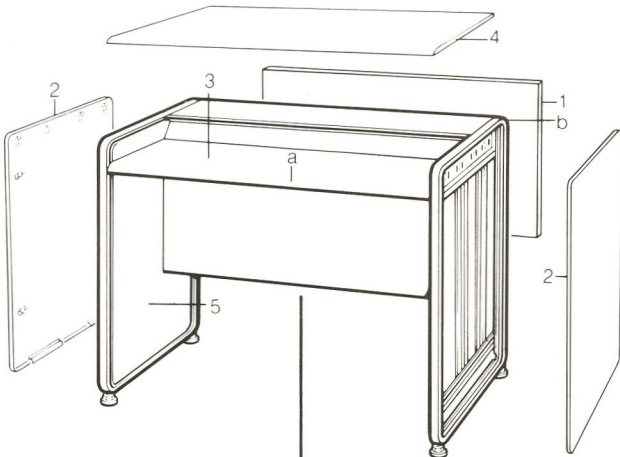
- (a) Drip screen for increased fire protection
- (b) Heavy duty casters for roll-around convenience
- (c) Leveler feet for increased stability
- (d) Rear mounting holes for back panel equipment

Work Station

- (1) Modesty Panel
- (2) End Panel (Charcoal Brown)
- (3) Split Level Top
- (4) Solid Top
- (5) Insert (Light Grey)

STANDARD FEATURES

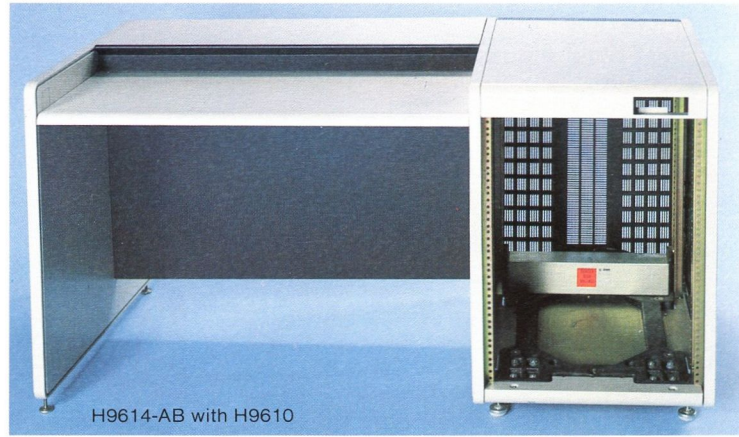
- (a) Beveled edge for operator comfort on both split and solid top models



- (b) Contoured edges for compatibility with modern office environments

30" SMALL SYSTEMS SERIES

The H9610/14 Series—multipurpose, modular cabinets and work stations that provide flexibility for growing companies.



H9614-AB with H9610

Specifications
30" Small Systems Cabinet (H9610)
Work Station (H9614)

30" Small Systems Cabinet

INTERNAL MOUNTING

- DIMENSIONS**
- 24.5" (622 mm)
 - 19" Wide (482 mm)
 - 26.75" Deep (679 mm)
 - 600 lb. load (272.2 kg)

EXTERNAL DIMENSIONS

- 30" High (762 mm)
- 21.25" Wide (539 mm)
- 30" Deep (762 mm)

LOAD

- 600 lb. load (272.2 kg)

COOLING

- Front to rear

MODEL NUMBERS

- H9610 AA 30" Cabinet/120 Volt/12 Amp Power Controller
- H9610 AB 30" Cabinet/240 Volt/8 Amp Power Controller
- H9610 AC 30" Cabinet/No Power Controller

- H9616 BA 30" Right Hand Add-on Unit/No Power Controller/No End Panels

(All H9610 numbered cabinets come with end panels except the H9616 BA expansion cabinet.)

Work Station

SIZE

- 39.5" Wide (1003 mm)
- 30" Deep (762 mm)
- 30" High (762 mm)

MODEL NUMBERS

- H9614 AA Solid Top Add-on, one side panel
- H9614 AB Split Top Add-on, one side panel
- H9614 AC Solid Top Stand-Alone Unit
- H9614 AD Split Top Stand-Alone Unit
- H9614 AE Solid Top Dual Add-on Unit (uses H9610 end panels for support)
- H9614 AF Split Top Dual Add-on Unit (uses H9610 end panels for support)

H9610 Series Component Parts—30" Small Systems Cabinet

| | Cabinet Frame | Cabinet Frame (RH) | End Panel | Power Controller: 120V/12A | Power Controller: 240V/8A | Rear Panel | Stabilizer Foot |
|-----------------|---------------|--------------------|-----------|----------------------------|---------------------------|------------|-----------------|
| H9610-AA | 1 | 2 | 1 | 1 | | | |
| H9610-AB | 1 | 2 | | 1 | 1 | | |
| H9610-AC | 1 | 2 | | | 1 | | |
| H9616-BA | | 1 | | | 1 | 1 | |

40" Small Systems Series

The 40" Small Systems Series is effective in meeting the need for expanding memory, adding peripheral interfaces and supporting line printers or interactive terminals. This series has the same styling and durability as the 30" small cabinets, but the extra height allows for top and front mounting disk drives. The

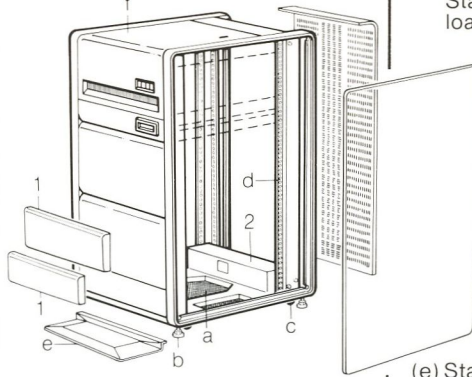
40" small cabinets support small Digital systems as well as most small OEM-designed systems.

Diagram References Top Loader (H9612) Front Loader (H9613)

Top Loader

- (1) ACCESSORY HARDWARE—Optional on most top and front loading models.
H950 NC 3½" Filler Panel
H9504 SC 5¼" Filler Panel
H9504 UC 10½" Filler Panel

Top Loader



- (2) POWER CONTROLLERS—Standard on most top and front loading models.

- 871 A 120 Volt/12 Amp
- 871 B 240 Volt/8 Amp
- 871 C 120 Volt/16 Amp

STANDARD FEATURES

- (a) Drip screen for increased fire protection
- (b) Leveler feet for increased stability
- (c) Heavy duty casters for roll-around convenience
- (d) Rear mounting holes for back panel equipment
- (e) Stabilizer foot for safety in servicing
- (f) Top loader designed for easy disk drive access

Front Loader

- (1) ACCESSORY HARDWARE—Optional on most top and front loading models.
H950 NC 3½" Filler Panel
H9504 SC 5¼" Filler Panel
H9504 UC 10½" Filler Panel
- (2) POWER CONTROLLERS—Standard on most top and front loading models.
871 A 120 Volt/12 Amp
871 B 240 Volt/8 Amp
871 C 120 Volt/16 Amp



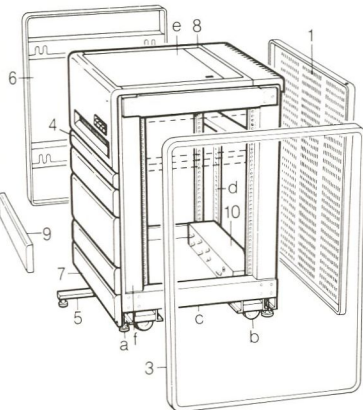


40" Medium Systems Series

The 40" Medium System Series is especially designed to handle small and medium-scale processor systems. Extremely versatile, it can be configured as either a top or front loading cabinet. These 40" cabinets are ideal for the expansion of many Digital Data Systems, as well as most medium-sized OEM systems. They can be purchased as complete assemblies or as component kits.

Diagram References Top Loader (H9642) Front Loader (H9642)

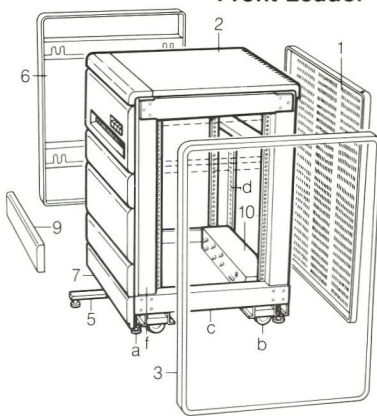
Top Loader



COMPONENT PART NUMBERS— Available Separately

- (1) H9544 BA Rear Door
 - (2) H9544 LA Top Cover*
 - (3) H9544 AA End Panels (AD/CA only)
 - (4) H9544 DA Bezel, Blank 1.75 inch†
 - (5) H9544 HA Stabilizer, Levelers
 - (6) H9544 JA Expansion Adaptor**
 - (7) H9544 DB Bottom Cover 6 inch
 - (8) H9544 CA Trim Kit, RL01/RL02†
 - (9) ACCESSORY HARDWARE
H950 NC 3½" Filler Panel
H9504 SC 5¼" Filler Panel
H9504 UC 10½" Filler Panel
 - (10) POWER CONTROLLERS
872 A 120 Volt/12 Amp
872 B 240 Volt/12 Amp
872 C 120 Volt/16 Amp
872 D 120 Volt/24 Amp
- ‡7016421-00 Top Trim Cover (Top Load Models)
‡7017225-00 Fan Assembly 115 Volts (RX01/02 cabinets)
‡7017225-01 Fan Assembly 240 Volts (RX01/02 cabinets)
‡7017240-00 Air Intake Bezel 5¼" Inch (RX01/02 cabinets)

Front Loader



STANDARD FEATURES

- (a) Leveler feet for increased stability
- (b) Heavy duty casters for roll-around convenience
- (c) Heavy, all-steel frame for extra strength
- (d) Rear mounting holes for back panel equipment
- (e) Top loader designed for easy disk drive access†
- (f) Available as a component kit

*Front Loader Only

†Top Loader Only

‡Not Shown in Diagram

**Expansion Cabinets Only

Specifications Top Loader (H9642) Front Loader (H9642)

INTERNAL MOUNTING DIMENSIONS

35" High (889 mm)
19" Wide (482 mm)
26.75" Deep (679 mm)

EXTERNAL DIMENSIONS

41.38" High (1,051 mm)
21.25" Wide (539 mm)
30" Deep (762 mm)

LOAD

450 lb. load (244.5 kg)

COOLING

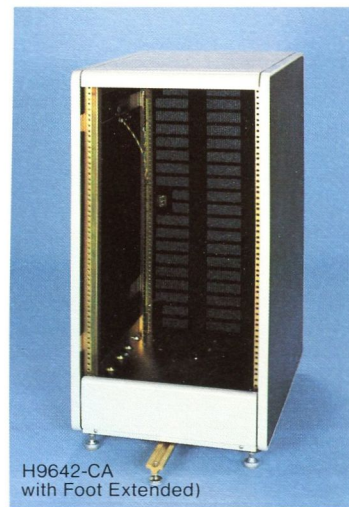
Front to rear

40" MEDIUM SYSTEMS SERIES

The H9642 Series—versatile cross-products cabinets that provide top and front loading capabilities.



H9642-AD
(with Foot Retracted)



H9642-CA
with Foot Extended

Top Loader (H9642)

ASSEMBLED

MODEL NUMBERS

H9642 AD Top Loading 40"
RL01/RL02 Stand-Alone Cabinet
120 Volt/12 Amp
H9642 BD Top Loading 40"
RL01/RL02 Expansion Cabinet
120 Volt/12 Amp/No End Panels
H9642 BE Top Loading 40" RL01/
RL02 Expansion Cabinet/No End
Panels 240 Volt/12 Amp Power
Controller
H9642 BK Top Loading 40" RX01/
RX02 Expansion Cabinet/No End
Panels 120 Volt/12 Amp Power
Controller
H9642 BL Top Loading 40" RX01/
RX02 Expansion Cabinet/No End
Panels 240 Volt/12 Amp Power
Controller

The above models are complete with all appropriate accessory hardware

EQUIVALENT COMPONENT KIT

MODEL NUMBERS

H9542 AD Top Loading 40"
RL01/RL02 Stand-Alone Cabinet Kit
120 Volt/12 Amp
H9542 BD Top Loading 40"
RL01/RL02 Expansion Cabinet Kit
120 Volt/12 Amp/No End Panels
H9542 BE Top Loading 40"
RL01/RL02 Expansion Cabinet Kit/
No End Panels
240 Volt/12 Amp Power Controller
H9542 BK Top Loading 40"
RX01/RX02 Expansion Cabinet Kit/
No End Panels
120 Volt/12 Amp Power Controller
H9542 BL Top Loading 40"
RX01/RX02 Expansion Cabinet Kit/
No End Panels
240 Volt/12 Amp Power Controller

Front Loader (H9642)

ASSEMBLED

MODEL NUMBERS

H9642 CA Front Loading 40"
Stand-Alone Cabinet/No Power
Controller
H9642 DA Front Loading
Expansion Cabinet/No Power
Controller/No End Panels

EQUIVALENT COMPONENT KIT

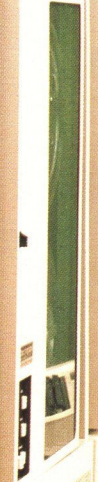
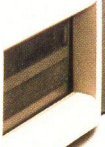
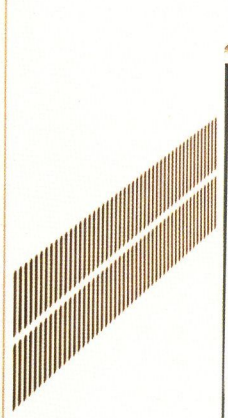
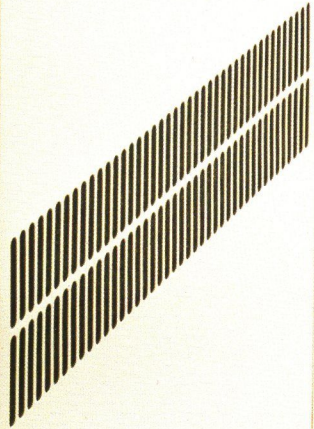
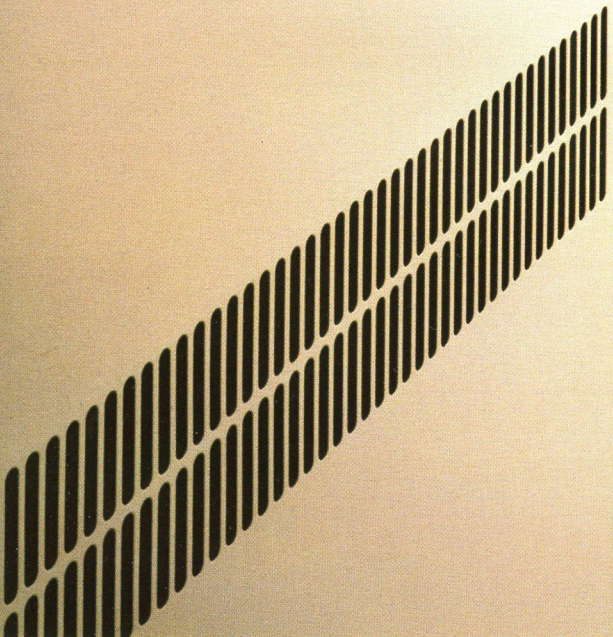
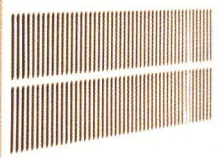
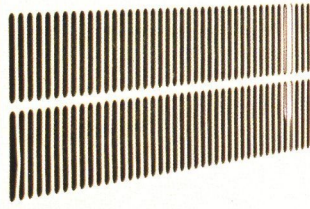
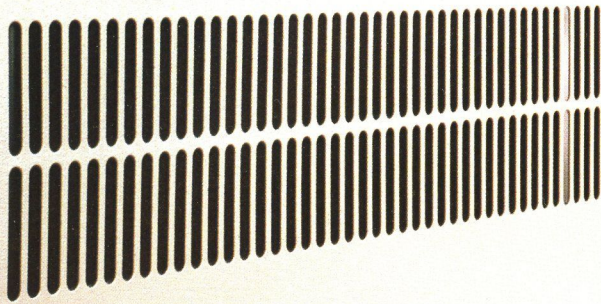
MODEL NUMBERS

H9542 CA Front Loading 40"
Stand-Alone Cabinet Kit/No Power
Controller
H9542 DA Front Loading
Expansion Cabinet Kit/No Power
Controller/No End Panels

H9642 Series Component Parts—40" Medium Systems Cabinet

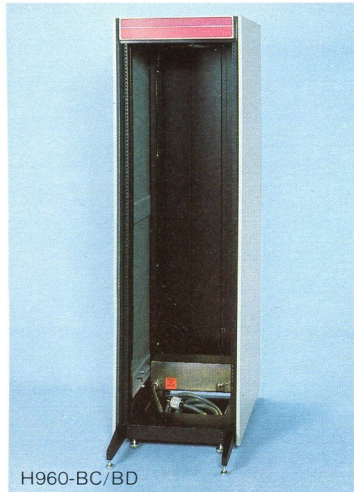
| | Air Intake Bezel Assembly Kit 5¼" | Basic Frame Kit | Bezel Assembly Kit | Blind Bezel 1.75" | Bottom Cover 6" | Bumper Kit | Cable Assembly | End Panel Assembly Kit | Expansion Cabinet Kit | Fan Assembly Kit 115V | Fan Assembly Kit 230V | Filler Panel 5¼" | Filler Panel 10½" | Hardware Kit | Hardware Kit (For Front Assembly) | Power Controller 120V/12A | Power Controller 240V/12A | Rear Door Assembly Kit | Stabilizer/Leveler Kit | Top Cover Assembly Kit | Trim Kit | |
|----------|-----------------------------------|-----------------|--------------------|-------------------|-----------------|------------|----------------|------------------------|-----------------------|-----------------------|-----------------------|------------------|-------------------|--------------|-----------------------------------|---------------------------|---------------------------|------------------------|------------------------|------------------------|----------|---|
| H9642-AD | 1 | 1 | 1 | | 2 | 1 | | | | | | 1 | 1 | 1 | 1 | 1 | 1 | | | | 1 | |
| H9642-BD | 1 | 1 | 1 | | 1 | | | 1 | | | 2 | 1 | 1 | 1 | 1 | | | 1 | 1 | | | 1 |
| H9642-BE | 1 | 1 | 1 | | 1 | | | 1 | | | 2 | 1 | 1 | 1 | 1 | | | 1 | 1 | | | 1 |
| H9642-BK | 1 | 1 | 1 | 1 | 1 | 1 | | 1 | 1 | 1 | 1 | 1 | 1 | 1 | 1 | | | 1 | 1 | 1 | | |
| H9642-BL | 1 | 1 | 1 | 1 | 1 | 1 | | 1 | 1 | 1 | 1 | 1 | 1 | 1 | 1 | | | 1 | 1 | 1 | | |
| H9642-CA | 1 | 1 | | | | | | 2 | | | | | | | 1 | | | | | | 1 | 1 |
| H9642-DA | 1 | 1 | | | | | | | 1 | | | | | | 1 | | | | | | 1 | 1 |

digital VAX 11/780



72" LARGE SYSTEMS SERIES

The H960/67 Series—rugged, reliable cabinets designed for large system applications.



H960-BC/BD



H967-BA/BB

72" Large Systems Series

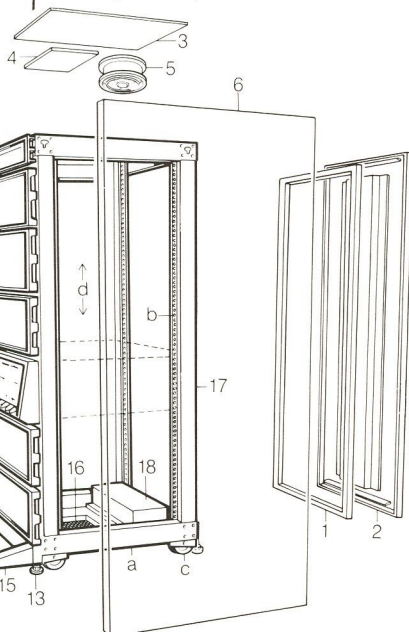
The 72" Heavy Duty Systems Cabinets are designed to house large traditional systems based on Digital processors. They are ideal expansion cabinets for existing systems that require additional mass storage and for new applications that call for additional hardware. All doors and covers of these rugged cabinets have suitable locking devices for compliance with regulatory agencies. If the space of a 72" cabinet is not required, but the rugged durability is, a 50" version of this cabinet is available.

Diagram References Tall Heavy Duty Cabinet (H960)

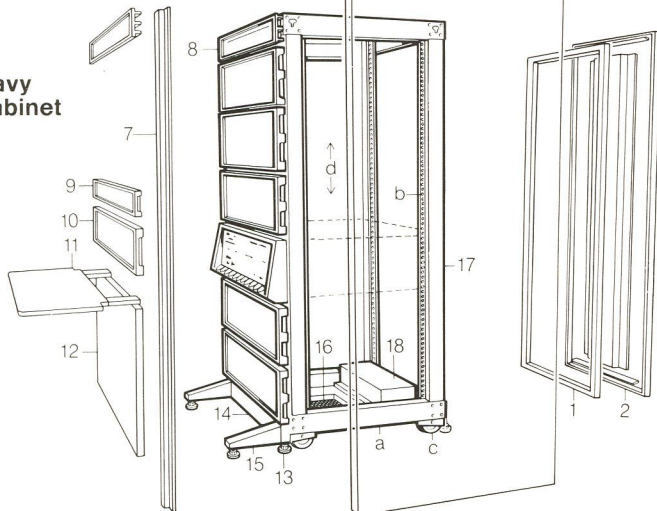
Short Heavy Duty Cabinet (H967)

Tall Heavy Duty Cabinet

- (1) H950-DA Mounting Panel Door Frame (Right Hanging)
- (2) H950-EA Mounting Panel Door Frame (Left Hanging)
- (3) H950-BA Door, Front or Rear Mounting (Right Hanging)
- (4) H950-CA Door, Front or Rear Mounting (Left Hanging)
- (5) H950-SA Air Filter (115 Vac)
- (6) H952-CA Fan Assembly (230 Vac)
- (7) H952-CB Fan Assembly (115 Vac)
- (8) H952-AA End Panel (left or right side)



Tall Heavy Duty Cabinet



- (7) H952-GA Filler Strip Set (front or rear)
- (8) H950-LB Logo Panel (plastic)
- (9) H950-LA Logo Panel (aluminum)
- (10) H950-PA Bezel Cover Panel, 5.25 in. (133.4 mm)
- (11) H950-QA Bezel Cover Panel, 10.50 in. (266.7 mm)
- (12) H950-HA Short Door, covers 21.00 in. (533.4 mm) mounting space
- (13) H950-HB Short Door, covers 22.75 in. (577.9 mm) mounting space
- (14) H950-HC Short Door, covers 26.25 in. (666.8 mm) mounting space
- (15) H950-HD Short Door, covers 31.50 in. (800.1 mm) mounting space
- (16) H950-HE Short Door, covers 36.75 in. (933.5 mm) mounting space
- (17) H950-HF Short Door, covers 42.00 in. (1066.8 mm) mounting space
- (18) H950-HG Short Door, covers 47.25 in. (1020.2 mm) mounting space
- (19) H950-HH Short Door, covers 52.50 in. (1333.5 mm) mounting space
- (20) H950-HJ Short Door, covers 57.75 in. (1466.8 mm) mounting space
- (21) H950-HK Short Door, covers 63.00 in. (1600.2 mm) mounting space
- (22) H952-FA Leveler Set (4)
- (23) 74-06782 Kickplate (used with H952-BA Stabilizer Feet)
- (24) 74-06793 Kickplate
- (25) H952-BA Stabilizer Feet (pair)
- (26) 74-11606 Bottom Screen
- (27) H950-AA 72" Frame
- (28) *H950-X Frame Kit: internal width 19.00 in. (482.6 mm), external width 20.5 in. (520.7 mm); internal height 69.00 in. (1,752.6 mm), external height 71.75 in. (1,822 mm); internal depth 25.00 in. (635.0 mm), external depth 28.88 in. (734.0 mm).

STANDARD FEATURES

- (a) Rugged all-steel frame for stability and endurance
- (b) Mounting holes for back panel equipment
- (c) Heavy duty casters for roll-around convenience
- (d) High 63" internal mounting capacity accommodates extra peripheral devices

*Not Shown in Diagram

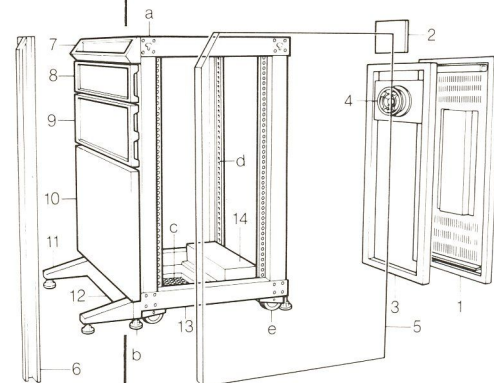
Short Heavy Duty Cabinet

- (1) H957-BA Full Rear Door (Right Hanging)
- (2) H957-CA Full Rear Door (Left Hanging)
- (3) H957-DA Mounting Panel Door Frame (Right Hanging)
- (4) H957-EA Mounting Panel Door Frame (Left Hanging)
- (5) H957-HA Fan Assembly
- (6) H957-FA End Panel (Right Hanging)
- (7) H957-FB End Panel (Left Hanging)
- (8) H957-GA Filler Strip Set (top, front, and rear)
- (9) H957-SA Air Filter
- (10) H950-PA Bezel Cover Panel, 5.25 in. (133.4 mm)
- (11) H950-QA Bezel Cover Panel, 10.50 in. (266.7 mm)
- (12) H950-HA Short Door, covers 21.00 in. (533.4 mm) mounting space
- (13) H950-HB Short Door, covers 22.75 in. (577.9 mm) mounting space
- (14) H950-HC Short Door, covers 26.25 in. (666.8 mm) mounting space
- (15) H950-HD Short Door, covers 31.50 in. (800.1 mm) mounting space
- (16) H952-BA Stabilizer Feet (pair)
- (17) 74-06782 Kickplate (used with H952-BA Stabilizer Feet)
- (18) 74-06793 Kickplate
- (19) *H957-X Frame Kit: internal width 19.00 in. (482.6 mm), external width 20.5 in. (520.7 mm); internal height 47.50 in. (1,206.5 mm), external height 49.63 in. (1,260 mm); internal depth 25.00 in. (635.0 mm), external depth 28.88 in. (734.0 mm)
- (20) POWER CONTROLLERS
- (21) 861 A 120 Volt/16 Amp
- (22) 861 B 240 Volt/12 Amp
- (23) 861 C Heavy Duty High Current 120 Volt/24 Amp
- (24) 861 F 120 Volt/12 Amp

STANDARD FEATURES

- (a) Cosmetic plastic laminated top cover (light grey)
- (b) Leveler feet for increased stability
- (c) Drip screen for increased fire protection
- (d) Rear mounting holes for back panel equipment
- (e) Heavy duty casters for roll-around convenience

*Not Shown in Diagram



Short Heavy Duty Cabinet

Specifications
Tall Heavy Duty Cabinet
(H960)
Short Heavy Duty Cabinet
(H967)

Tall Heavy Duty Cabinet

INTERNAL MOUNTING
DIMENSIONS

63" High (1,600 mm)
21.75" Wide (552 mm)
28.88" Deep (734 mm)

EXTERNAL DIMENSIONS

71.75" High (1,822 mm)
22" Wide (558 mm)
30" Deep (762 mm)

LOAD **COOLING**
600 lb. (272 kg) Top to Bottom



ASSEMBLED MODEL NUMBERS

H950 AA 72" Frame
H960 BC 72" Stand-Alone Cabinet
120 Volt/24 Amp Power Controller
H960 BD 72" Stand-Alone Cabinet
240 Volt/12 Amp Power Controller
H960 CA 72" Stand-Alone Cabinet
120 Volt/24 Amp Power Controller
H960 CB 72" Stand-Alone Cabinet
240 Volt/12 Amp Power Controller
H961 A 72" Expansion Cabinet
without Power Controller
H961 AA 72" Expansion Cabinet
120 Volt/24 Amp Power Controller
H961 AB 72" Expansion Cabinet
240 Volt/12 Amp Power Controller

Short Heavy Duty Cabinet

INTERNAL MOUNTING
DIMENSIONS

42" High (1,067 mm)
21.75" Wide (552 mm)
28.88" Deep (734 mm)

EXTERNAL DIMENSIONS

49.63" High (1,260mm)
22" Wide (558 mm)
30" Deep (762 mm)

COOLING
Front to Rear (Provided by
internal devices, supplemental
fans available)

ASSEMBLED MODEL NUMBERS

H957 AA 50" Frame
H967 BA 50" Stand-Alone Cabinet
120 Volt/24 Amp Power Controller
H967 BB 50" Stand-Alone Cabinet
240 Volt/12 Amp



SEE FOLLOWING PAGE
FOR HEAVY DUTY SERIES
COMPONENT PARTS

72" LARGE SYSTEMS SERIES

The H960/67 Series—rugged, reliable cabinets designed for large system applications.



H960-BC/BD



H967-BA/BB

H960/H961 Series Component Parts—Tall Heavy Duty Cabinet

| | Bezel Cover Panel (0.75") | Cabinet Frame (19" W, 60" H, 23" D) | Caster Set (4/ set, included with H950-AA frame) | End Panel (R/end) | End Panel (L/end) | Fan Assembly (top mounted) (H95V) | Filter Strip Set (front and rear) (joining two cabinets) | Filter (for H952-BA or H952-CA) | Full Door (RH) (front or rear mounting) | Kickplate | Kickplate (use with H952-BA) | Lever Set (4/ set, included with H950-AA frame) | Logo Frame Panel (plastic) | Mounting Panel Door Frame (RH) (rear mounting) | Mounting Panel Door Frame (LH) (rear mounting) | Mounting Panel Door Skin | Power Controller (90-135V, single phase) | Power Controller (180-270V, single phase) | Stabilizer Feet (pair) |
|---------|---------------------------|-------------------------------------|--|-------------------|-------------------|-----------------------------------|--|---------------------------------|---|-----------|------------------------------|---|----------------------------|--|--|--------------------------|--|---|------------------------|
| H960-BC | 5 | 1 | 1 | 2 | 1 | | 1 | | 1 | 1 | 1 | 1 | | 1 | 1 | | | | 1 |
| H960-BD | 5 | 1 | 1 | 2 | 1 | | 1 | | 1 | 1 | 1 | 1 | | 1 | | | 1 | | 1 |
| H960-CA | 5 | 1 | 1 | 2 | 1 | | 1 | 1 | 1 | 1 | 1 | 1 | | | | 1 | | | 1 |
| H960-CB | 6 | 1 | 1 | 2 | 1 | | 1 | 1 | 1 | 1 | 1 | 1 | | | | | 1 | | 1 |
| H961-A | 6 | 1 | 1 | | 1 | 1 | | | 1 | | 1 | 1 | | 1 | 1 | | | | |
| H961-AA | | 1 | 1 | | 1 | 1 | | | 1 | | 1 | 1 | | 1 | 1 | | | | |
| H961-AB | | 1 | 1 | | 1 | 1 | | | 1 | | 1 | 1 | | 1 | | | 1 | | |

H967 Series Component Parts—Short Heavy Duty Cabinet

| | Cabinet Frame (19" W, 47 1/4" H, 20" D) | Caster Set (4/ set, included with H957-AA frame) | End Panel (R/end) | End Panel (L/end) | Fan Assembly (front or rear mounting) | Filter (for H957-HA) | Full Door (RH) (rear mounting) | Full Door (LH) (rear mounting) | Kickplate | Kickplate (use with H952-BA) | Lever Set (4/ set, included with H957-AA frame) | Logo Frame Panel | Mounting Panel Door Frame (RH) | Mounting Panel Door Frame (LH) | Power Controller (90-135V, single phase) | Power Controller (180-270V, single phase) | Stabilizer Feet (pair) |
|---------|---|--|-------------------|-------------------|---------------------------------------|----------------------|--------------------------------|--------------------------------|-----------|------------------------------|---|------------------|--------------------------------|--------------------------------|--|---|------------------------|
| H967-BA | 1 | 1 | 1 | 1 | 1 | 1 | | | | 1 | 1 | 1 | 1 | 1 | | | 1 |
| H967-BB | 1 | 1 | 1 | 1 | 1 | 1 | | | | 1 | 1 | 1 | 1 | | 1 | | 1 |

H984 Series Low Profile Cabinets

Digital's H984 low profile cabinet series provides mounting space for standard OEM-designed 19" panels or expansion boxes at both the front and rear of the unit.

Two vertical angles at the front and rear opening of the enclosure contain pre-drilled holes at EIA spacing. And these two angles can easily be laterally positioned within the cabinet to adjust for mounting units with varying depths.

The low profile cabinets easily complement existing furnishings with their walnut-grained, plastic laminate top surface and beige steel enclosures. Casters mounted on a supporting frame provide unit mobility and the sides are perforated for thorough ventilation.

A 120Vac or 240Vac power control panel is supplied with the cabinet.

There are also a complete line of options available to complement the H984 cabinet series. A fan panel assembly with two enclosed rotary fans provides additional cooling for the electrical components in the cabinet, a black louvered cover panel, 1.75" high, can be used to allow increased air flow through the cabinets, and additional cover and filler panels are also available.



H-984

INTERNAL MOUNTING DIMENSIONS

17.56" High
Standard 19" EIA Width
21.25" Deep

EXTERNAL MOUNTING DIMENSIONS

25.5" High
21.5" Wide
28.06" Deep

MODEL NUMBERS
H984-BA Low Profile Cabinet
120Vac power controller
H984-BB Low Profile Cabinet
240Vac power controller

OPTIONAL COMPONENTS
MODEL NUMBERS

70-12438-00 Blower Fan-120Vac
70-12438-01 Blower Fan-240Vac
12-11474 Louvered cover panel-
front 1.75" high-black
74-17440 Blank connector panel-
black 7.0" high-grey
H950-NC Blank Metal cover-front
3.5" high-grey
H9504-SC Filler panel
5.25" high-grey
H9594-UC Filler panel
10.5" high-grey

H909 Series. Modular Enclosures



H909-C

Logic boxes by Digital are designed to provide compact attractive enclosures for single-height through hex-height modular boards, accommodating both standard and extended length boards. The maximum capacity is the equivalent of nine hex-height boards (51 single height). Room is also available to incorporate a power supply in the H909-A and H909-C enclosures.

All the H909 series can be mounted on OEM standard 19" racks or can be used as stand alone table top enclosures.

The H909-A is primarily designed to accommodate nine-slot system mounting units and the H909-BA is the same with the exception of a H755 power supply. The power supply provides +15V dc 2A and +5V dc at 13A with a line cord and circuit breaker.

The H909-C can accommodate both four and nine slot system mounting units. Or it can house other non-standard mounting arrangements if compatible mounting frames are employed. The front panels can also be drilled for customer installed lights and switches.

EXPANSION PACKAGING & POWER HARDWARE

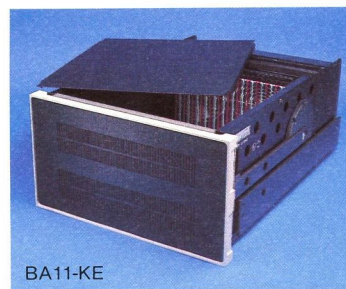
MODEL NUMBERS
H909-A Enclosure
H909-BA Enclosure equipped with
H755 power supply and BC05H
line cord and circuit breaker
H909-C Enclosure

**OPTIONAL COMPONENTS
FOR H909-A AND H909-BA**
H034 Nine-slot mounting frame
H934-CB Nine-slot system
mounting unit
Equipped with six H863 and three
H8030 connector blocks
BB11-B Nine-slot UNIBUS
system unit

**OPTIONAL COMPONENTS
FOR H909-C**
12-09403-02* 5" blower fan-
optional for power bay
H984-CA* Bracket set for H909-C
and PDP-11/04, /34 enclosures
*Required for mounting H909-C or
PDP-11/04 or /34 enclosures in H984
cabinet. Attaches to rear. This part
number formerly 74-16976.

BA11 Series Expansion Mounting Boxes

Digital's BA11-KE is a general purpose expansion mounting chassis and mounts easily in standard cabinets. It includes a power system for 120V operations and it also supplies multiple voltages which deliver 660 watts of dc power. The BA11-KE accommodates any mix of modules including both quad and hex size modules.



BA11-KE

The BA11-LE is also a general purpose expansion mounting chassis but it is equipped with a power supply, front cover panel and two fans for cooling the power supply and logic bays. A surrounding chassis envelope facilitates mounting the BA11-LE in cabinets pre-drilled at standard EIA spacing.

The 120 Vac input power unit supplies 32A of output power at +5 Vdc with interchangeable regulators to

support with MOS or core expansion memory.

INTERNAL MOUNTING DIMENSIONS BA11-KE

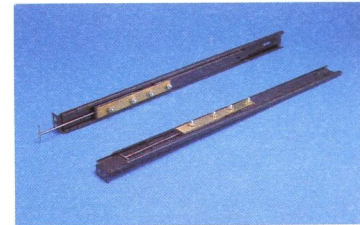
10.5" High
17.0" Wide
25.0" Deep
BA11LE
5.5" High
19.0" Wide
25.0" Deep

MODEL NUMBERS
BA11-KE PDP-11 Expansion
BA11-LE PDP-11 Expansion with
power supply

OPTIONAL COMPONENTS MULTIPLE VOLTAGES FOR BA11-KE

H744 regulators 2- +5V
(a25A each)
H745 regulators 15V (a10A)
H754 regulator 20V (a8A)
H754 regulator 5V (a1.1A)
54-11086 regulator 15V (a4A)

Chassis Slides



Three types of chassis slides are offered by Digital. Each mount in cabinets with front and rear rails drilled or punched to standard EIA spacing.

The 12-09154 extends the chassis 22 inches but it is not tiltable.

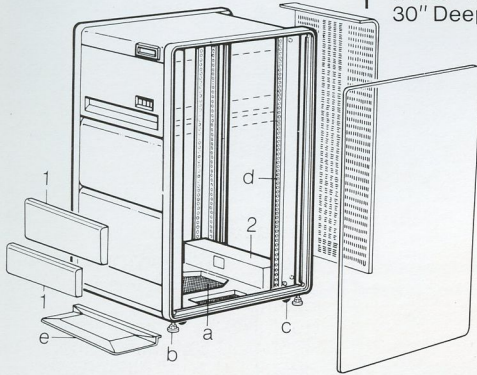
The 12-09703 extends the chassis 22 inches and tilts 90° whether up or down. And the 12-10945, which extends the chassis 19 inches, features a 2 part construction whereby part of the left member can be removed to allow the left side cover plate to be removed to access the enclosed modules.

MODEL NUMBERS
12-09154 22" chassis slide-Nontilt
12-09703 22" chassis slide 90° Tilt
12-10945 19" chassis slide-Nontilt

STANDARD FEATURES

- (a) Drip screen for increased fire protection
- (b) Leveler feet for increased stability
- (c) Heavy duty casters for roll-around convenience
- (d) Rear mounting holes for back panel equipment
- (e) Stabilizer foot for safety in servicing

Front Loader



**Specifications
Top Loader (H9612)
Front Loader (H9613)**

INTERNAL MOUNTING DIMENSIONS

35" High (889 mm)
19" Wide (482 mm)
26.75" Deep (679 mm)

EXTERNAL DIMENSIONS

41.38" High (1,051 mm)
21.25" Wide (539 mm)
30" Deep (762 mm)

LOAD
600 lb. load (272.2 kg)
COOLING
Front to rear

40" SMALL SYSTEMS SERIES

The H9612/13 Series—compact cabinets designed for expanding small systems.



H9612-AA/AB



H9613-AA/AB

Top Loader (H9612)

- MODEL NUMBERS**
H9612 AA Top Loading 40" Cabinet
120 Volt/12 Amp
H9612 AB Top Loading 40" Cabinet
240 Volt/8 Amp
H9612 AC Top Loading 40" Cabinet
No Power Controller

(All H9612 40" Cabinets are free-standing and come with decorative end panels except the H9618 BA expansion cabinet.)

Front Loader (H9613)

- MODEL NUMBERS**
H9613 AA Front Loading 40" Cabinet/120 Volt/12 Amp Power Controller
H9613 AB Front Loading 40" Cabinet/240 Volt/8 Amp Power Controller
H9613 AC Front Loading 40" Cabinet/No Power Controller

H9618 BA Front Loading 40" Expansion Cabinet/No Power Controller/No End Panels

(All H9613 40" Cabinets are free-standing and come with decorative end panels except the H9618 BA expansion cabinet.)

H9612/H9613 Series Component Parts—40" Small Systems Cabinet

| | Cabinet Frame | Cabinet Frame (RH) | End Panel | Power Controller, 120V/12A | Power Controller, 240V/8A | Rear Panel |
|----------|---------------|--------------------|-----------|----------------------------|---------------------------|------------|
| H9612-AA | 1 | 2 | 1 | | 1 | |
| H9612-AB | 1 | 2 | | 1 | 1 | |
| H9612-AC | 1 | 2 | | | 1 | |
| H9613-AA | 1 | 2 | 1 | | 1 | |
| H9613-AB | 1 | 2 | | 1 | 1 | |
| H9613-AC | 1 | 2 | | | 1 | |
| H9618-BA | 1 | 1 | | | | 1 |



digital

**We change the way
the world thinks.**

DIGITAL EQUIPMENT CORPORATION
Accessories & Supplies Group
Nashua, New Hampshire 03063