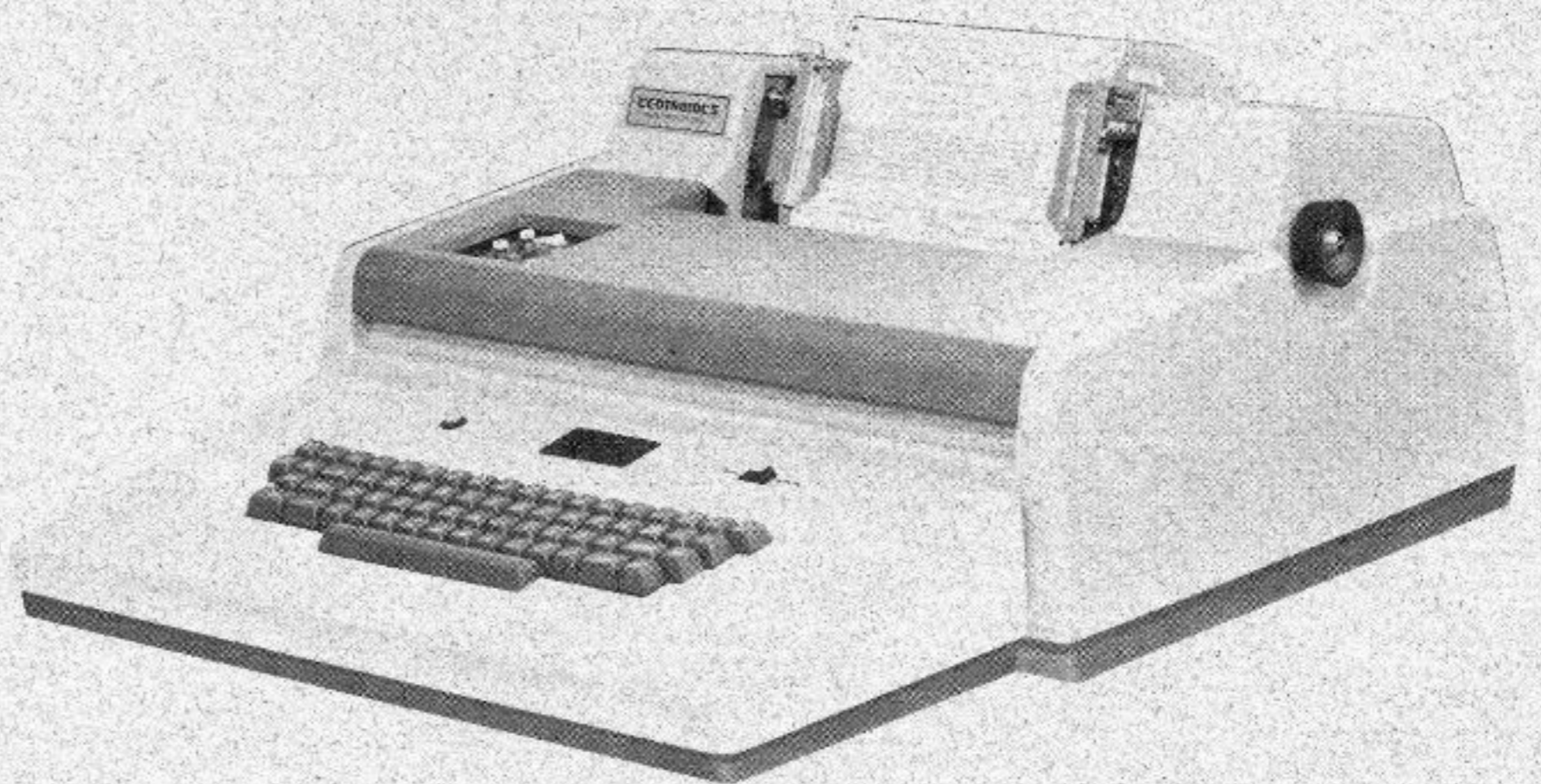


INTRODUCING.....

**THE
CENTRONICS
MODEL 308
TELEPRINTER**



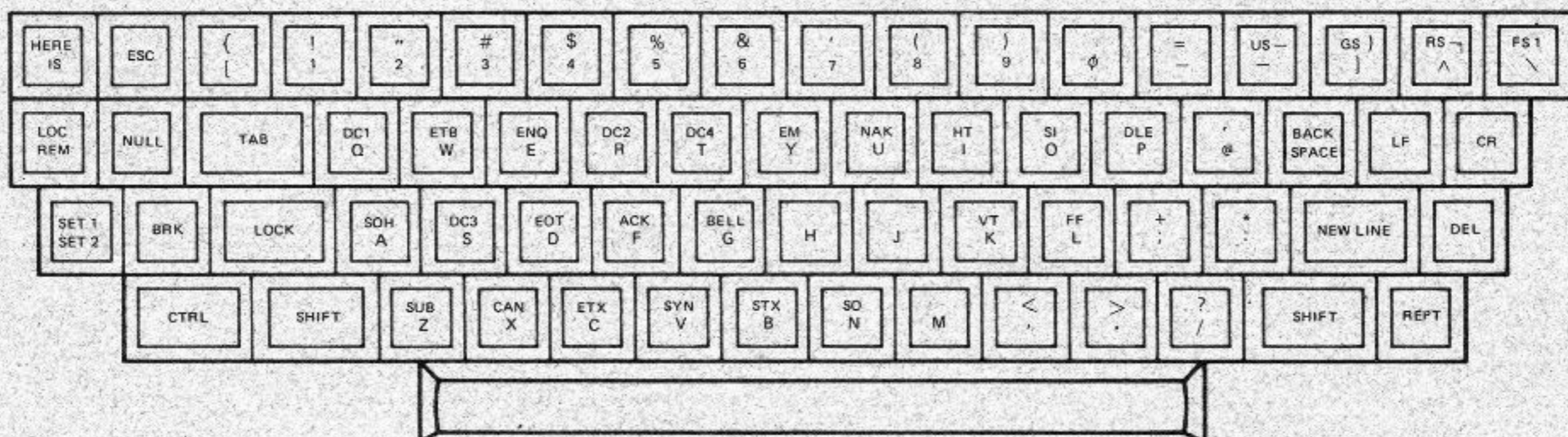
**PRELIMINARY
SPECIFICATIONS**

STANDARD FEATURES

- Immediate viewing of typed/printed data
- Standard full ASCII keyboard for faster and more accurate operator throughput
- Selectable boldface characters
- Column print position indicator
- Repeat function – fast repeat of all coded characters
- Keyboard can be detached and relocated for operator convenience
- Paper runaway inhibit (10 second time out)
- Lower case prints as upper case
- Automatic line feed on carriage return
- Multicopy – prints original plus four copies
- Low noise level
- Parallel interface
- 132 Character recirculating buffer
- Gated strobe pulse (data input)
- Available as receive only terminal without keyboard

OPTIONAL FEATURES

- Popular communications interfaces – Serial: RS-232 (100 to 9600 baud), current loop
- Horizontal tab set/clear
- Backspace key for editing
- Vertical format control
- 9 x 7 dot matrix character sets
- Foreign and other character sets
- Expanded character sets – up to 128 characters



ANOTHER CENTRONICS PHENOMENON!

THE NEW MODEL 308 INCREMENTAL PRINTER WITH KEYBOARD

**120 CHARACTERS PER SECOND
80 CHARACTERS PER LINE**



| | |
|---------------------------------|---|
| TYPE OF PRINTING: | Incremental Impact, Matrix (up to 5 copies) |
| SPEED: | 120 Characters per Second |
| CHARACTER SET: | 64 Character ASCII Set (Expandable to 128 characters) |
| CHARACTER STRUCTURE: | 5 x 7 Dot Matrix, 10-Point Type Equivalent, 9 x 7 (Option) |
| PAPER HANDLING: | 80 Columns Sprocket Feed, Adjustable to 9 1/2" Paper Width |
| SPACING: | 6 Lines per Inch |
| KEYBOARD: | Detachable |
| TRANSMISSION RATE: | Parallel – Up to 75,000 cps Serial – 100 to 9600 baud (Option) |
| DIMENSIONS: | Printer: 13 3/4" H x 18 3/4" D x 23" W Keyboard: 2 1/2" H x 6 1/2" D x 15 1/2" W |
| ELECTRICAL REQUIREMENTS: | 117 VAC ± 10%, 60 Hz 117/234 VAC ± 10%, 50 Hz, (Option) |

**NATIONWIDE SERVICE
PURCHASE OR LEASE**

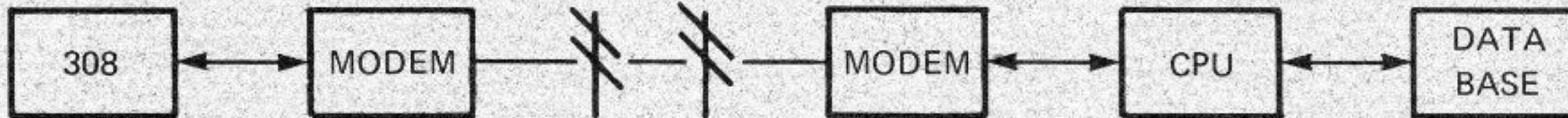
CENTRONICS MODEL 308 TELEPRINTER APPLICATIONS



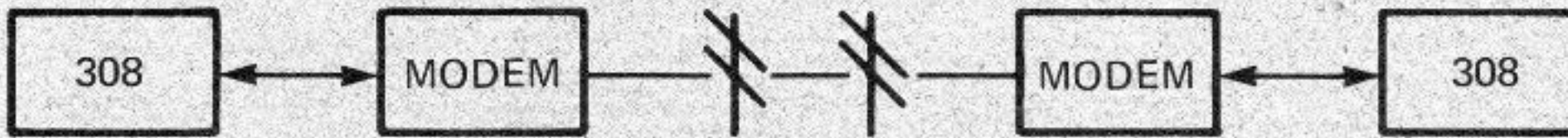
I/O WRITER-CONSOLE



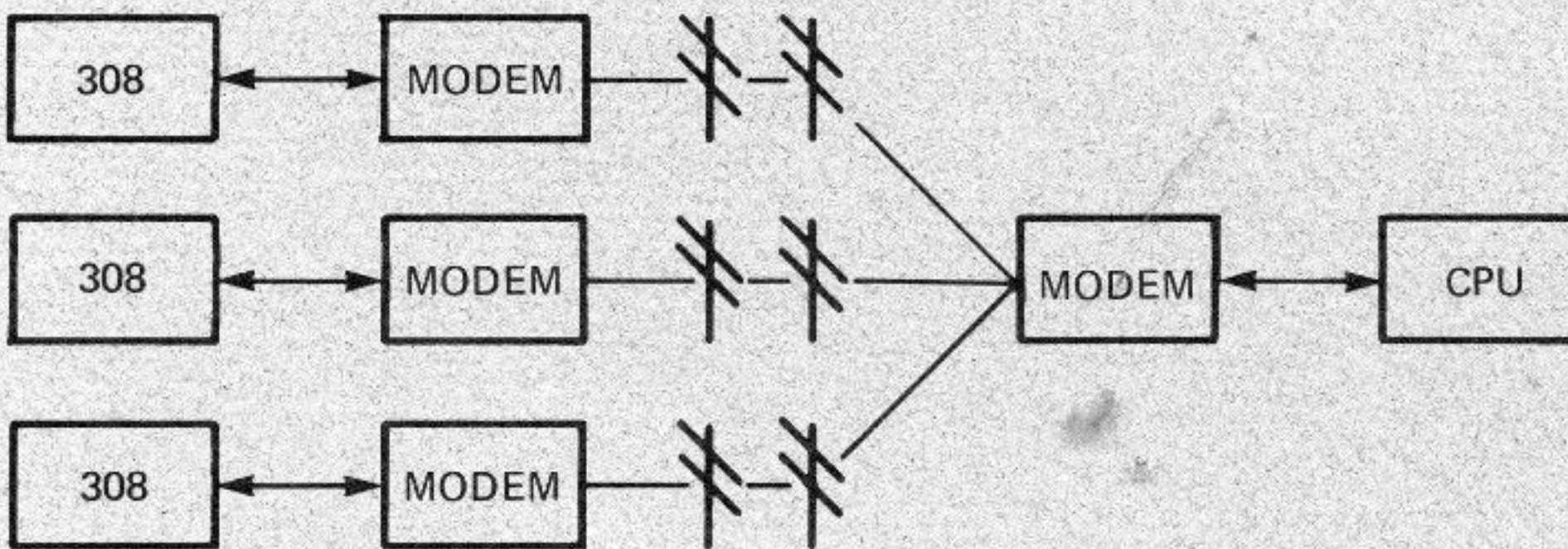
DATA ENTRY/INQUIRY RESPONSE



MESSAGE SWITCHING



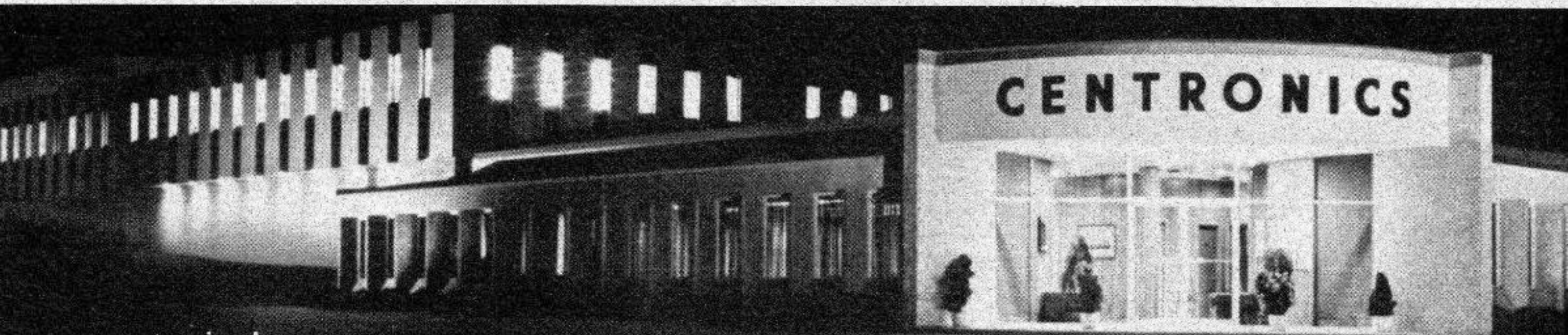
TIMESHARING



Specifications subject to change without notice.

Covered by U.S. patents 3,516,068 and 3,690,431 and other U.S. patents and foreign patents pending.

Printed in U.S.A. 9/73



centronics data computer corporation

Headquarters and
Eastern Regional Office

One Wall Street
Hudson, New Hampshire 03051
Tel: (603) 883-0111
TWX: 710-228-6505

Central Regional Office
Executive East Bldg., Suite 200

1563 East Dorothy Lane
Kettering, Ohio 45429
Tel: (513) 294-0070
TWX: 810-459-1784

Chicago District Office

4902 Tollview Drive
Rolling Meadows, Illinois 60008
Tel: (312) 398-4500

Western Region Office

2800 South Main Street
Santa Ana, California 92707
Tel: (714) 979-6650