

**SONY®**

DIGITAL VIDEOCASSETTE RECORDER

**DVW-A500P**

**DVW-500P**

**DVW-A500P/1**

**DVW-500P/1**

DIGITAL VIDEOCASSETTE PLAYER

**DVW-A510P**

**DVW-510P**

**DVW-CA510P**

ANALOG COMPOSITE DECODER BOARD  
**BKDW-506**

CONTROL PANEL CASE  
**BKDW-511**

AUDIO PROGRAM PLAY BOARD  
**BKDW-507**

CONTROL PANEL  
**BKDW-514**

PARALLEL (50P) INTERFACE KIT  
**BKDW-509**

CONTROL PANEL  
**BKDW-515**

CONTROL PANEL EXTENSION KIT  
**BKDW-510**

**Digital BETACAM™**

MAINTENANCE MANUAL Part 2

Volume 2 1st Edition (Revised 6)

## **⚠ 警告**

このマニュアルは、サービス専用です。  
お客様が、このマニュアルに記載された設置や保守、点検、修理などを行うと感電や火災、人身事故につながる可能性があります。  
危険をさけるため、サービストレーニングを受けた技術者のみご使用ください。

## **⚠ WARNING**

This manual is intended for qualified service personnel only.  
To reduce the risk of electric shock, fire or injury, do not perform any servicing other than that contained in the operating instructions unless you are qualified to do so. Refer all servicing to qualified service personnel.

## **⚠ WARNUNG**

Die Anleitung ist nur für qualifiziertes Fachpersonal bestimmt.  
Alle Wartungsarbeiten dürfen nur von qualifiziertem Fachpersonal ausgeführt werden. Um die Gefahr eines elektrischen Schlages, Feuergefahr und Verletzungen zu vermeiden, sind bei Wartungsarbeiten strikt die Angaben in der Anleitung zu befolgen. Andere als die angegeben Wartungsarbeiten dürfen nur von Personen ausgeführt werden, die eine spezielle Befähigung dazu besitzen.

## **⚠ AVERTISSEMENT**

Ce manuel est destiné uniquement aux personnes compétentes en charge de l'entretien. Afin de réduire les risques de décharge électrique, d'incendie ou de blessure n'effectuer que les réparations indiquées dans le mode d'emploi à moins d'être qualifié pour en effectuer d'autres. Pour toute réparation faire appel à une personne compétente uniquement.

DVW-A500P (EK)	Serial No. 10001 and Higher
DVW-A500P (UC)	Serial No. 10001 and Higher
DVW-500P (EK)	Serial No. 10001 and Higher
DVW-500P (UC)	Serial No. 10001 and Higher
DVW-A500P/1 (EK)	Serial No. 50001 and Higher
DVW-A500P/1 (UC)	Serial No. 50001 and Higher
DVW-500P/1 (EK)	Serial No. 50001 and Higher
DVW-500P/1 (UC)	Serial No. 50001 and Higher
DVW-A510P (EK)	Serial No. 10001 and Higher
DVW-510P (EK)	Serial No. 10001 and Higher
DVW-CA510P (EK)	Serial No. 10001 and Higher
BKDW-506	Serial No. 10001 and Higher
BKDW-507	Serial No. 10001 and Higher
BKDW-509	Serial No. 10001 and Higher
BKDW-510	
BKDW-511	
BKDW-514	Serial No. 10001 and Higher
BKDW-515	Serial No. 10001 and Higher

# Table of Contents

## Manual Structure

Purpose of this manual .....	3
Contents .....	3

## 1. Parts Information

## 2. Exploded Views

2-1. Notes on Spare Parts .....	2-1
2-2. Spare Parts List for VTR .....	2-2
2-3. Spare Parts List for Optional Accessories .....	2-67

## 3. Electrical Parts List for VTR

3-1. Frame List .....	3-1
3-2. Frame Harness, Connector and Contact List .....	3-2
3-3. Each Board Parts List for Recorder .....	3-6
3-4. Each Board Parts List for Player .....	3-300

## 4. Electrical Parts List for Optional Board

BKDW-506 .....	4-1
BKDW-507 .....	4-13
BKDW-509 .....	4-14
BKDW-514 .....	4-14
BKDW-515 .....	4-18

## 5. Packing Materials and Supplied Accessories List

## 6. Optional Fixtures List



# Manual Structure

---

## Purpose of this manual

This manual is maintenance manual of the following products.

Product

VTR: DVW-A500P, DVW-500P, DVW-A500P/1, DVW-500P/1,  
DVW-A510P, DVW-510P, DVW-CA510P

Optional equipments: BKDW-506, BKDW-507, BKDW-509, BKDW-510,  
BKDW-511, BKDW-514, BKDW-515

This manual describes the information items (adjustment, board layouts, schematic diagrams, detailed parts list, etc.) that premise the service based on the component parts.

---

## Contents

The following is a summary of all the sections for understanding the contents of this manual.

### Maintenance Manual Part 2, Volume 2

#### **Section 1 Parts Information**

Explains the notes on spare parts.

#### **Section 2 Exploded Views**

Describes the exploded views for the VTR and optional equipments.

#### **Section 3 Electrical Parts List for VTR**

Describes the electrical parts list for the VTR.

#### **Section 4 Electrical Parts List for Optional Boards**

Describes the electrical parts list for the optional boards.

#### **Section 5 Packing Materials and Supplied Accessories List**

Describes the packing materials and supplied accessories list for the VTR and optional equipments.

#### **Section 6 Optional Fixtures List**

Describes the optional fixtures list for the VTR and optional equipments.

(continue)

---

**Contents (continued)**

<b>Maintenance Manual Part 2, Volume 1</b>	<b>Section 1</b>	<b>Service Overview</b>
	<b>Section 2</b>	<b>Replacement of Mechanical Parts</b>
	<b>Section 3</b>	<b>Tape Path Alignment</b>
	<b>Section 4</b>	<b>Electrical Alignment Overview</b>
	<b>Section 5</b>	<b>Electrical Alignment for VTR</b>
	<b>Section 6</b>	<b>Electrical Alignment for Optional Boards</b>
<b>Maintenance Manual Part 2, Volume 3</b>	<b>Section 1</b>	<b>Board Layouts</b>
	<b>Section 2</b>	<b>Schematic Diagrams – Frame Wiring –</b>
	<b>Section 3</b>	<b>Semiconductor Pin Assignments</b>
<b>Maintenance Manual Part 2, Volume 4</b>	<b>Section 1</b>	<b>Schematic Diagrams for Recorder</b>
	<b>Section 2</b>	<b>Schematic Diagram for Optional Boards</b>
<b>Maintenance Manual Part 2, Volume 5</b>	<b>Section 1</b>	<b>Schematic Diagrams for Player</b>
	<b>Section 2</b>	<b>Schematic Diagram for Optional Boards</b>
<b>Maintenance Manual Part 1<sup>*1</sup></b>	<b>Section 1</b>	<b>Service Overview</b>
	<b>Section 2</b>	<b>Recording Format, Head Configuration, and Signal Processing</b>
	<b>Section 3</b>	<b>Block Diagrams and Circuit Descriptions</b>
	<b>Section 4</b>	<b>Error Messages and Troubleshooting</b>
	<b>Section 5</b>	<b>Maintenance Mode</b>
	<b>Section 6</b>	<b>Replacement of Power Block and Circuit Boards</b>
	<b>Section 7</b>	<b>Periodic Maintenance and Inspection</b>
	<b>Section 8</b>	<b>Replacement of Periodic Maintenance Parts</b>
	<b>Section 9</b>	<b>Spare Parts</b>

\*1: There are two types manual for Maintenance Manual Part 1: Recorder (DVW-A500P/500P) and player (DVW-A510P/510P/CA510P).

# Section 1

## Parts Information

### Notes on Repair Parts

#### 1. Safety Related Components Warning

Components marked  $\triangle$  are critical to safe operation. Therefore, specified parts should be used in the case of replacement.

#### 2. Standardization of Parts

Some repair parts supplied by Sony differ from those used for the unit. These are because of parts commonality and improvement. Parts list has the present standardized repair parts.

#### 3. Stock of Parts

Parts marked with “o” at SP (Supply Code) column of the spare parts list may be not stocked. Therefore, the delivery date will be delayed.

#### 4. Units Representation

The following represented units are changed or omitted in writing.

Units	Representation
Capacitance $\mu$ F	uF
Inductance $\mu$ H	uH
Resistance $\Omega$	Abbreviation
Temperature $^{\circ}$ C	XXX-DEG-C

#### 5. Tension Spring

(xxT) after a tension spring is shown on the parts list in order to indicate the number of spring turns required for the use.

(Example) TENSION, SPRING (20T):

This spring must be cut at its 20th turn for actual use.

#### 6. The DVW-A500P/1 and DVW-500P/1 are common to the DVW-A500P and DVW-500P except the control panel block, packing materials and supplied accessories.

For exploded view of parts exclusive to the DVW-A500P/1 and DVW-500P/1, see page 2-64.

For exploded view of the control panel block, see section 2-3.

For electrical parts list of the control panel block, see section 4.





## Section 2 Exploded Views

### 2-1. Notes on Spare Parts

#### 1. Safety Related Components Warning

Components marked  $\triangle$  are critical to safe operation. Therefore, specified parts should be used in the case of replacement.

#### 2. Standardization of Parts

Some repair parts supplied by Sony differ from those used for the unit. These are because of parts commonality and improvement. Parts list has the present standardized repair parts.

#### 3. Stock of Parts

Parts marked with “o” at SP (Supply Code) column of the spare parts list may be not stocked. Therefore, the delivery date will be delayed.

#### 4. Tension Spring

(xxT) after a tension spring is shown on the parts list in order to indicate the number of spring turns required for the use.

(Example) TENSION, SPRING (20T):

This spring must be cut at its 20th turn for actual use.

#### 5. Refer to the Installation and Maintenance

**Manual for parts exclusive to the DVW-A500/1, 500/1, A500P/1, 500P/1 and the BKDW-515.**

## 2-2. Spare Parts List for VTR

## Index

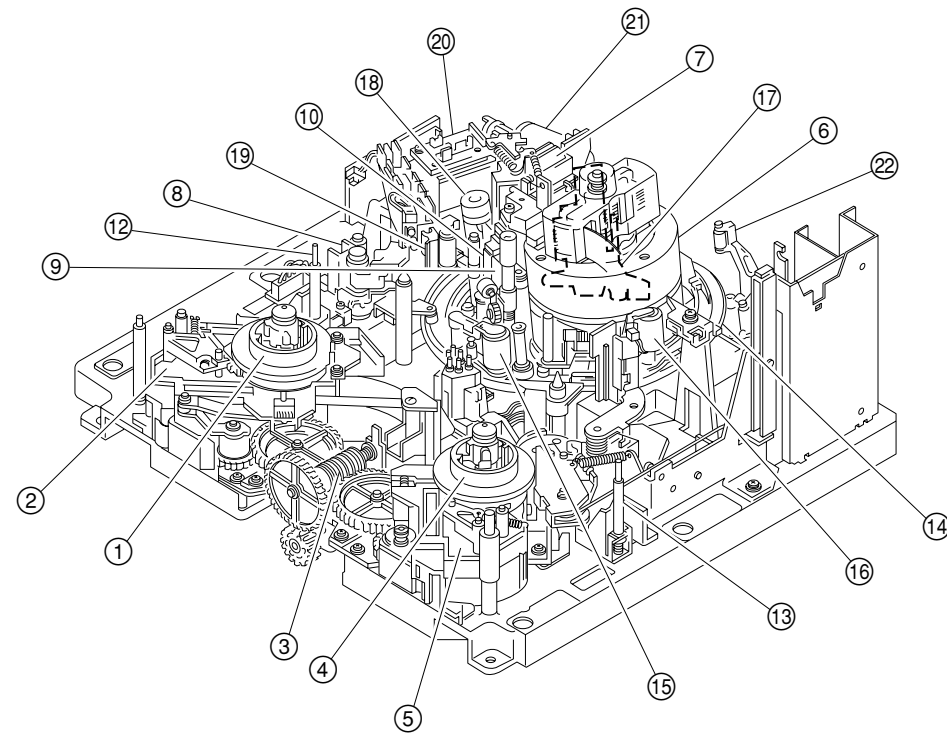
Mark	Item	Title	Page
①	S Reel Table	REEL CHASSIS (S SIDE) BLOCK	2-4
②	RS Table (S)		
③	Reel Shift		
④	T Reel Table	REEL CHASSIS (T SIDE) BLOCK	2-6
⑤	RS Table (T)		
⑥	Head Drum	DRUM AND ROTARY HEAD CLEANER BLOCK	2-8
⑦	Rotary Head Cleaner		
⑧	Tension Regulator	S TENSION REGULATOR BLOCK	2-10
⑨	CTL Head	CTL AND FE HEAD BLOCK	For DVW-A500P/500P 2-12
*⑩	FE Head		
*⑫	MR Sensor (left)	CTL HEAD BLOCK	For DVW-A510P/510P/CA510P 2-14
*⑬	MR Sensor (right)		
⑭	Threading Ring	THREADING RING AND PINCH ROLLER BLOCK	2-16
⑮	Pinch Roller		
⑯	AT Head Cleaner		
⑰	AT Head	AT HEAD AND CAPSTAN MOTOR BLOCK	For DVW-A500P/500P 2-18
⑱	Capstan Motor		For DVW-A510P/510P/CA510P 2-20
⑲	Tape Cleaner		
⑳	Pinch Press	PINCH PRESS AND GEAR BOX BLOCK	2-22
㉑	Gear Box Motor		
㉒	T Tension Regulator	T TENSION REGULATOR BLOCK	2-24
㉓	Cassette Compartment	CASSETTE COMPARTMENT BLOCK	For DVW-A500P/500P/A510P/510P 2-26
			For DVW-CA510P 2-28
㉔	Printed Circuit Board	PRINTED CIRCUIT BOARD (BOTTOM SIDE) BLOCK	For DVW-A500P/500P 2-30
			For DVW-A510P/510P/CA510P 2-32

Note 1: The \*-marked parts are used for the recorder only.

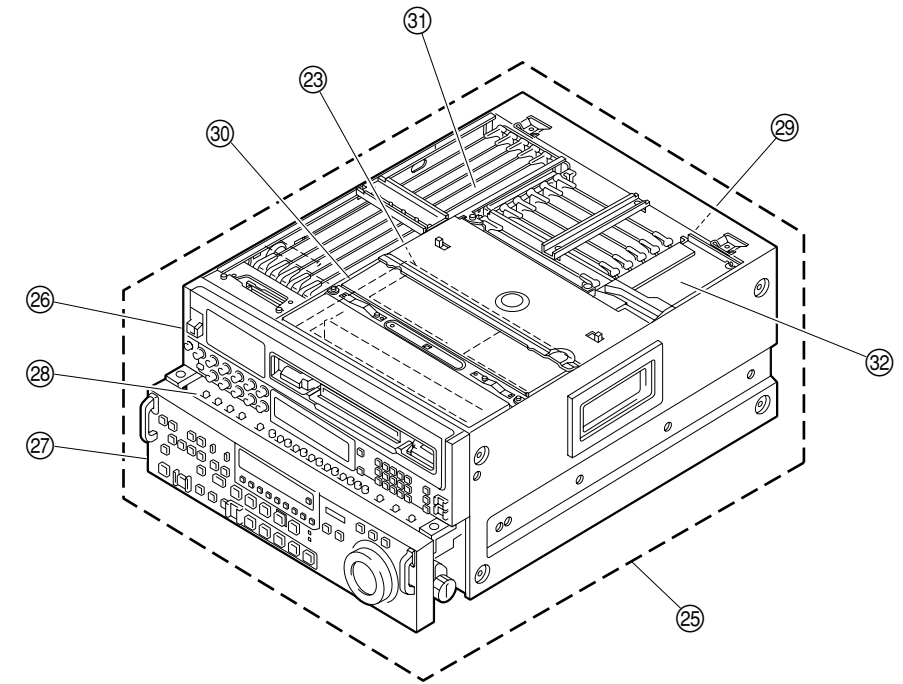
Mark	Item	Title	Page
㉕	Upper Lid	ORNAMENTAL PANEL BLOCK	For DVW-A500P/500P/A510P/510P 2-34
	Bottom Panel		
	Cabinet (right)		For DVW-CA510P 2-36
	Cabinet (left)		
㉖	Upper Control Panel	UPPER CONTROL PANEL BLOCK	For DVW-A500P/500P 2-38
			For DVW-A510P/510P 2-40
			For DVW-CA510P 2-42
㉗	Lower Control Panel	LOWER CONTROL PANEL BLOCK	For DVW-A500/500P 2-44
			For DVW-A510P/510P/CA510P 2-46
㉘	Sub Control Panel	SUB CONTROL PANEL BLOCK	For DVW-A500P/500P 2-48
			For DVW-A510P/510P/CA510P 2-50
㉙	Connector Panel	CONNECTOR PANEL BLOCK	For DVW-A500P/500P 2-52
			For DVW-A510P/510P/CA510P 2-54
㉚	Cassette Compartment Stay	CHASSIS BLOCK	For DVW-A500P/500P/A510P/510P 2-56
			For DVW-CA510P 2-58
㉛	Mounted Circuit Board	MOUNTED CIRCUIT BOARD BLOCK	2-60
㉜	Switching Regulator	SWITCHING REGULATOR BLOCK	2-62
**㉝	Ejector	EJECTOR BLOCK	2-64

Note 2: The \*\*-marked parts is used for DVW-CA510P only.

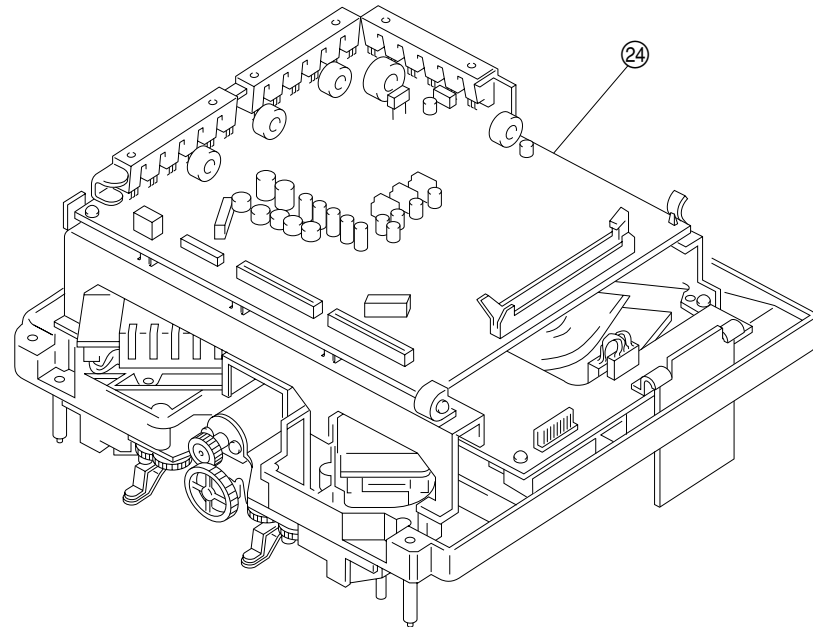
MECHANICAL DECK  
(TOP VIEW)



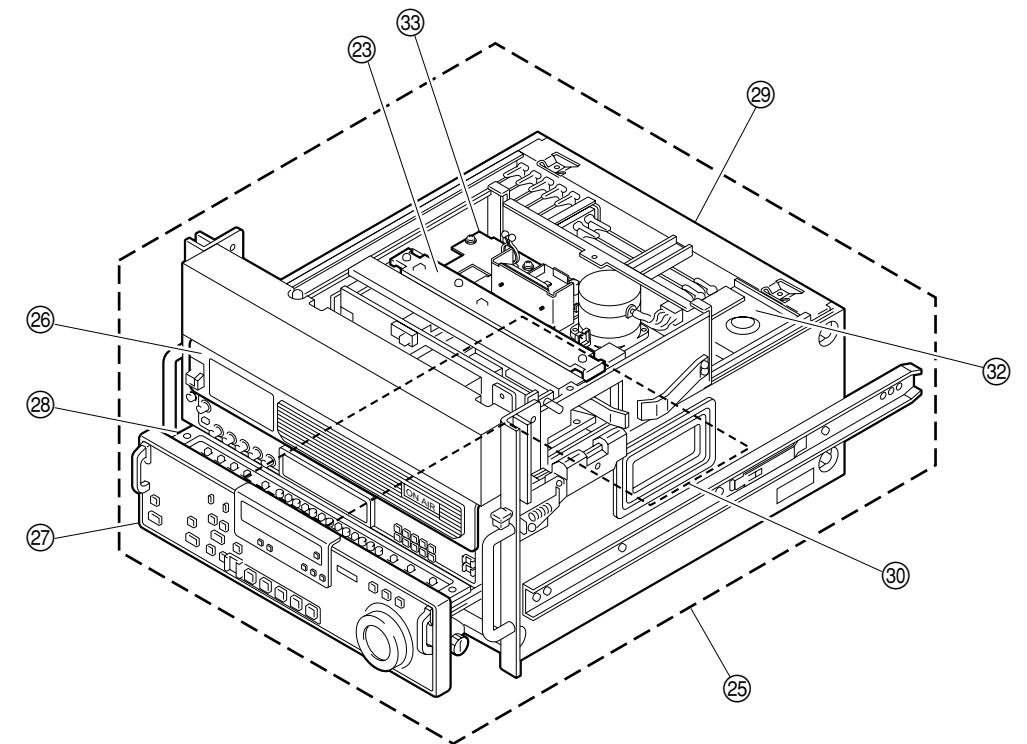
OVERALL BLOCK



MECHANICAL DECK  
(BOTTOM VIEW)



(For DVW-CA510/CA510P)



REEL CHASSIS (S SIDE) BLOCK

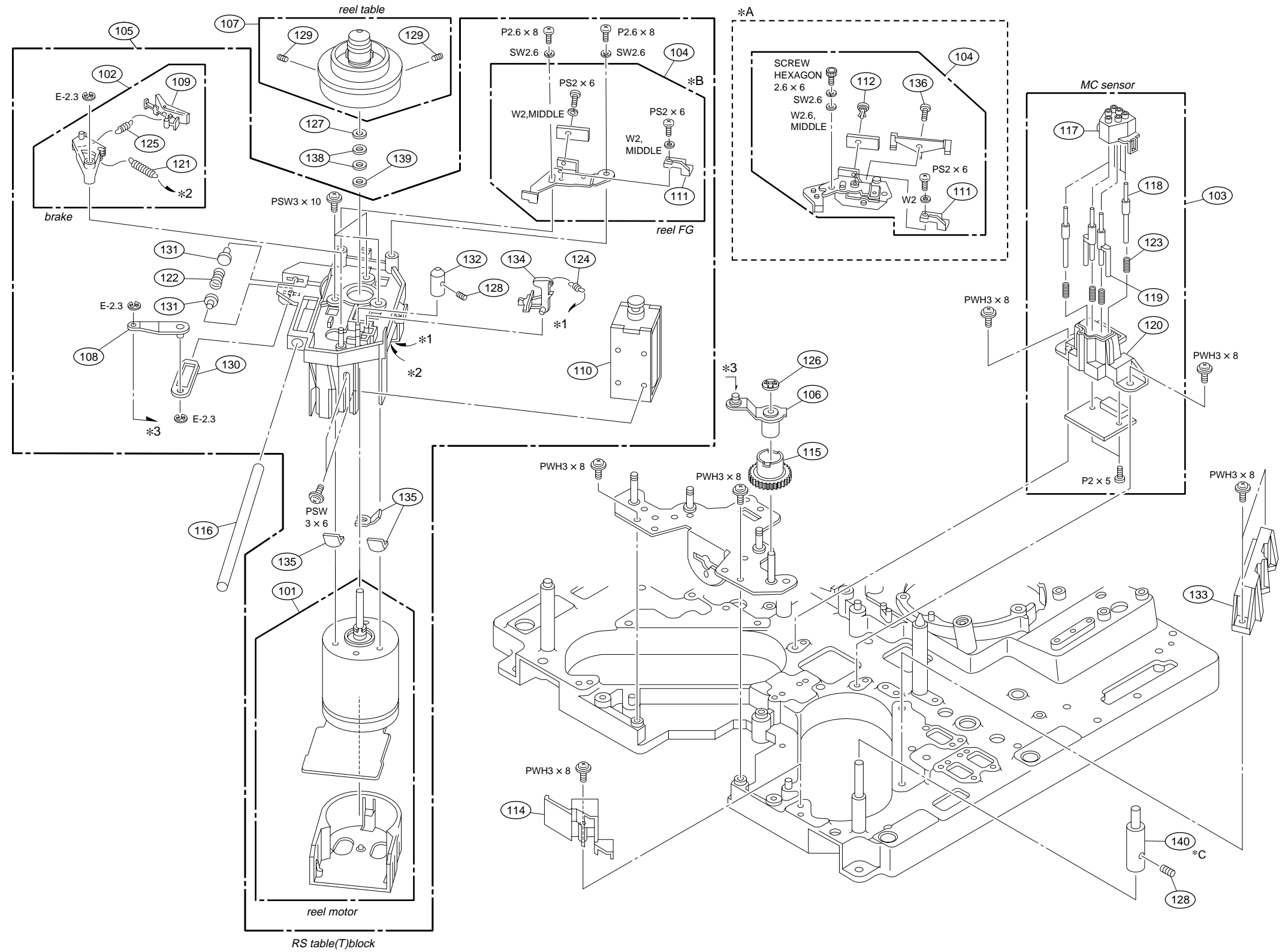
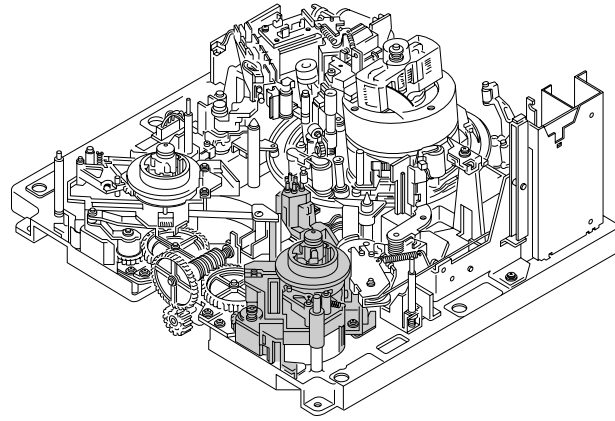
REEL CHASSIS (S SIDE) BLOCK

No.	Part No.	SP Description
1	A-8267-774-E	s RM ASSY
2	A-6741-066-B	o BRAKE ASSY
*A 3	A-8267-701-C	s FG ASSY, REEL
*B	A-8278-310-A	s FG ASSY, REEL
4	A-8267-703-J	s TABLE (S) BLOCK ASSY, RS
5	A-8276-619-A	o MOUNTED CIRCUIT BOARD, PTC-71
6	X-3166-024-1	o ARM (A) ASSY, CRANK
7	X-3678-560-4	s TABLE ASSY, REEL
8	X-3166-060-1	o ARM (B) ASSY, CRANK
*A 9	X-3167-047-1	o BASE ASSY, REEL SHIFT
10	X-3717-205-1	s LINING ASSY
11	1-454-417-31	s SOLENOID, PLUNGER
12	1-648-570-12	s PRINTED CIRCUIT BOARD, CCM-15
13	1-698-152-11	s MOTOR (SVD-1449), DC
14	1-807-683-11	s RESISTOR ELEMENT
*A15	2-279-715-01	s RIVET, NYLON
16	2-280-622-51	o SUPPORT (M3), HEXAGON
17	3-171-430-01	o GEAR, CRANK
18	3-171-316-01	s GEAR, M
*A19	3-171-318-01	o BEARING, WORM
*A20	3-171-319-01	o SHAFT, WORM
*A21	3-171-320-01	o GEAR, DRIVE
*B	3-603-393-01	o GEAR, SHIFT
22	3-171-397-02	o HOLDER (S), SHAFT
23	3-171-429-01	o GEAR, LS
24	3-171-431-01	s SHAFT, SLIDE
25	3-180-687-01	o HOLDER (A), SHAFT
26	3-180-866-01	o BASE, LS SENSOR
27	3-307-381-00	s SPRING, TENSION
28	3-491-247-00	s SPRING, COMPRESSION
29	3-535-532-01	s SPRING, TENSION
30	3-648-217-00	o SPRING, TENSION
31	3-659-324-00	s SPRING, COMPRESSION
32	3-669-596-01	s WASHER (2.3), STOPPER
33	3-701-441-01	s WASHER, POLY 4mm DIA., 0.13T
34	3-701-441-11	s WASHER, POLY 4mm DIA., 0.25T
35	3-701-441-21	s WASHER, POLY 4mm DIA., 0.50T
36	3-701-506-01	s SET SCREW, DOUBLE POINT 3x4
37	3-701-507-00	s SET SCREW, DOUBLE POINT M3x5
*A38	3-717-210-01	s WORM
*A39	3-717-212-01	o WASHER (B), WORM
*A40	3-717-213-01	o WASHER (A), WORM
41	3-717-224-01	s WASHER (B), WORM
42	3-717-230-01	o BRACKET, LIMITER
43	3-717-231-01	o HOLDER, LIMITER
44	3-717-266-01	o CAP (S), CG SHAFT
45	3-717-398-01	o TABLE, SLIDE
46	3-717-399-01	s WHEEL, W
47	3-717-450-02	o ARM, BRAKE RELEASE
48	3-717-625-01	s SPACER
*A49	3-729-013-01	s SCREW (P1.4x1.6), WASHER-HEAD
50	8-719-939-05	s PHOTO INTERRUPTER GPLS54
52	3-188-108-01	s WASHER, POLY 4mm DIA., 0.05T
*A for S/N 10001 thru. 14862: DVW-A500P(EK) for S/N 10001 thru. 13225: DVW-500P(EK) for S/N 10001 thru. 12089: DVW-A510P(EK) for S/N 10001 thru. 10555: DVW-510P(EK)		
*B for S/N 14863 and higher: DVW-A500P(EK) for S/N 13226 and higher: DVW-500P(EK) for S/N 12090 and higher: DVW-A510P(EK) for S/N 10556 and higher: DVW-510P(EK)		



No.	Part No.	SP Description
101	A-8267-774-E	s RM ASSY
102	A-6741-066-B	o BRAKE ASSY
103	A-8267-549-B	o SENSOR ASSY, MC
*A 104	A-8267-701-C	s FG ASSY, REEL
*B	A-8278-310-A	s FG ASSY, REEL
105	A-8267-702-H	s TABLE (T) BLOCK ASSY, RS
106	X-3166-024-1	o ARM (A) ASSY, CRANK
107	X-3678-560-4	s TABLE ASSY, REEL
108	X-3166-060-1	o ARM (B) ASSY, CRANK
109	X-3717-205-1	s LINING ASSY
110	1-454-417-31	s SOLENOID, PLUNGER
*A 111	1-807-683-11	s RESISTOR ELEMENT
*B	1-801-300-11	s RESISTOR ELEMENT, MAGNETIC
*A 112	2-279-715-01	s RIVET, NYLON
114	3-171-428-02	o HOLDER (T), SHAFT
115	3-171-430-01	o GEAR, CRANK
116	3-171-431-01	s SHAFT, SLIDE
117	3-180-756-01	o CAP, MC
118	3-180-757-01	o PIN (1), MC
119	3-180-758-01	o PIN (2), MC
120	3-180-759-01	o HOLDER, MC
121	3-307-381-00	s SPRING, TENSION
122	3-491-247-00	s SPRING, COMPRESSION
123	3-554-202-00	o SPRING, COMPRESSION
124	3-535-532-01	s SPRING, TENSION
125	3-648-217-00	o SPRING, TENSION
126	3-669-596-01	s WASHER (2.3), STOPPER
127	3-701-441-01	s WASHER, POLY 4mm DIA., 0.13T
128	3-701-506-01	s SET SCREW, DOUBLE POINT 3x4
129	3-701-507-00	s SET SCREW, DOUBLE POINT M3x5
130	3-717-230-01	o BRACKET, LIMITER
131	3-717-231-01	o HOLDER, LIMITER
132	3-717-266-01	o CAP (S), CG SHAFT
133	3-717-398-01	o TABLE, SLIDE
134	3-717-450-02	o ARM, BRAKE RELEASE
135	3-717-625-01	s SPACER
*A 136	3-729-013-01	s SCREW (P1.4x1.6), WASHER-HEAD
138	3-701-441-21	s WASHER, POLY 4mm DIA., 0.50T
139	3-188-108-01	s WASHER, POLY 4mm DIA., 0.05T
*C 140	3-717-222-01	s CAP(L), CS SHAFT
*A for S/N 10001 thru. 14862: DVW-A500P(EK) for S/N 10001 thru. 13225: DVW-500P(EK) for S/N 10001 thru. 12089: DVW-A510P(EK) for S/N 10001 thru. 10555: DVW-510P(EK)		
*B for S/N 14863 and higher: DVW-A500P(EK) for S/N 13226 and higher: DVW-500P(EK) for S/N 12090 and higher: DVW-A510P(EK) for S/N 10556 and higher: DVW-510P(EK)		
*C for S/N 17638 and higher: DVW-A500P(CE) for S/N 14881 and higher: DVW-500P(CE) for S/N 13276 and higher: DVW-A510P(CE) for S/N 11065 and higher: DVW-510P(CE) for S/N 10076 and higher: DVW-CA510P(EK)		

Reel Chassis (T Side) Block



For DVW-A500P/500P

\*A (for S/N 10001 thru. 18367: DVW-A500P(EK))  
 (for S/N 10001 thru. 10238: DVW-A500P(UC))  
 (for S/N 10001 thru. 15190: DVW-500P(EK))  
 (for S/N 10001 thru. 10160: DVW-500P(UC))

\*B (for S/N 18368 and higher: DVW-A500P(EK))  
 (for S/N 10239 and higher: DVW-A500P(UC))  
 (for S/N 15191 and higher: DVW-500P(EK))  
 (for S/N 10161 and higher: DVW-500P(UC))

For DVW-A510P/510P/CA510P

\*A (for S/N 10001 thru. 13450: DVW-A510P)  
 (for S/N 10001 thru. 11074: DVW-510P)  
 (for S/N 10001 thru. 10033: DVW-CA510P)

\*B (for S/N 13451 and higher: DVW-A510P)  
 (for S/N 11075 and higher: DVW-510P)  
 (for S/N 10034 and higher: DVW-CA510P)

For DVW-A500P/500P

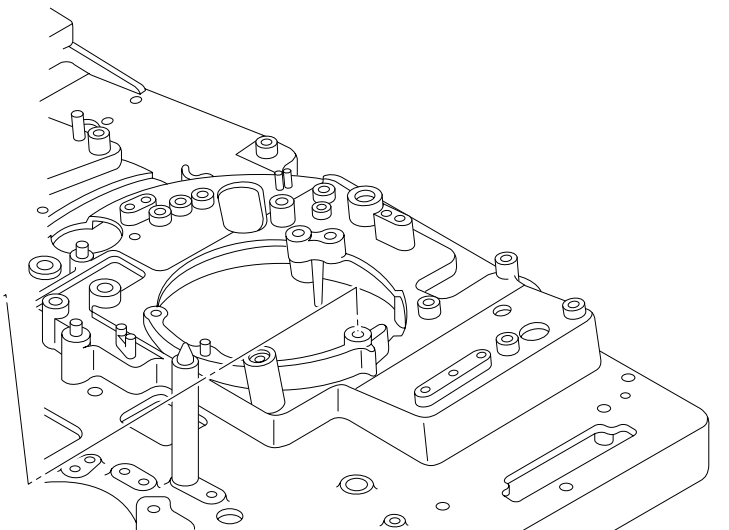
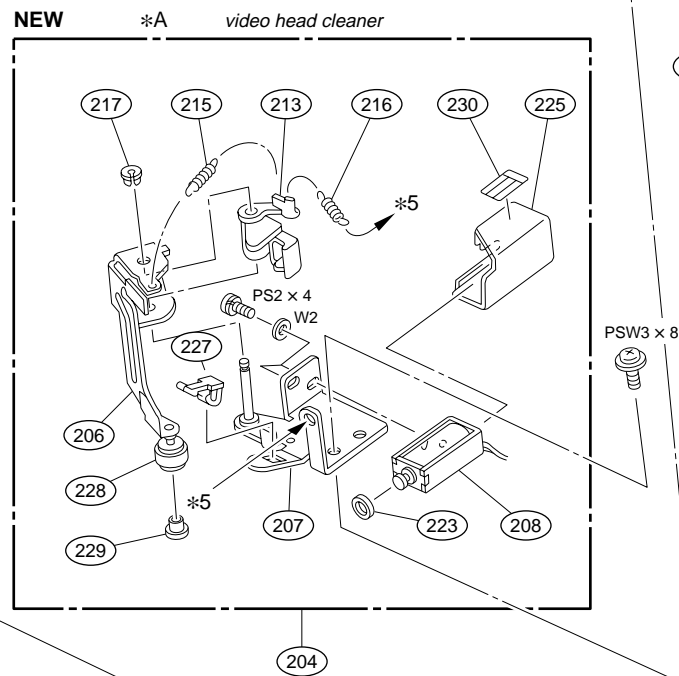
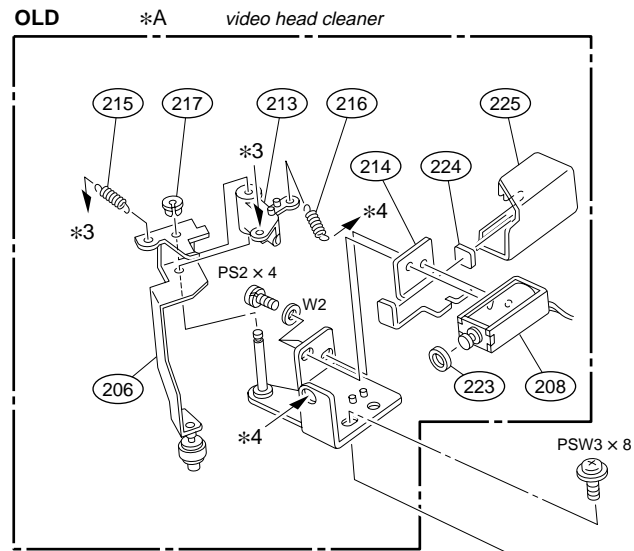
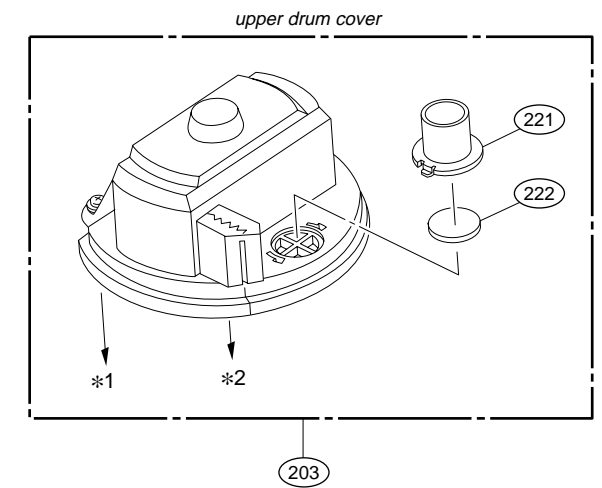
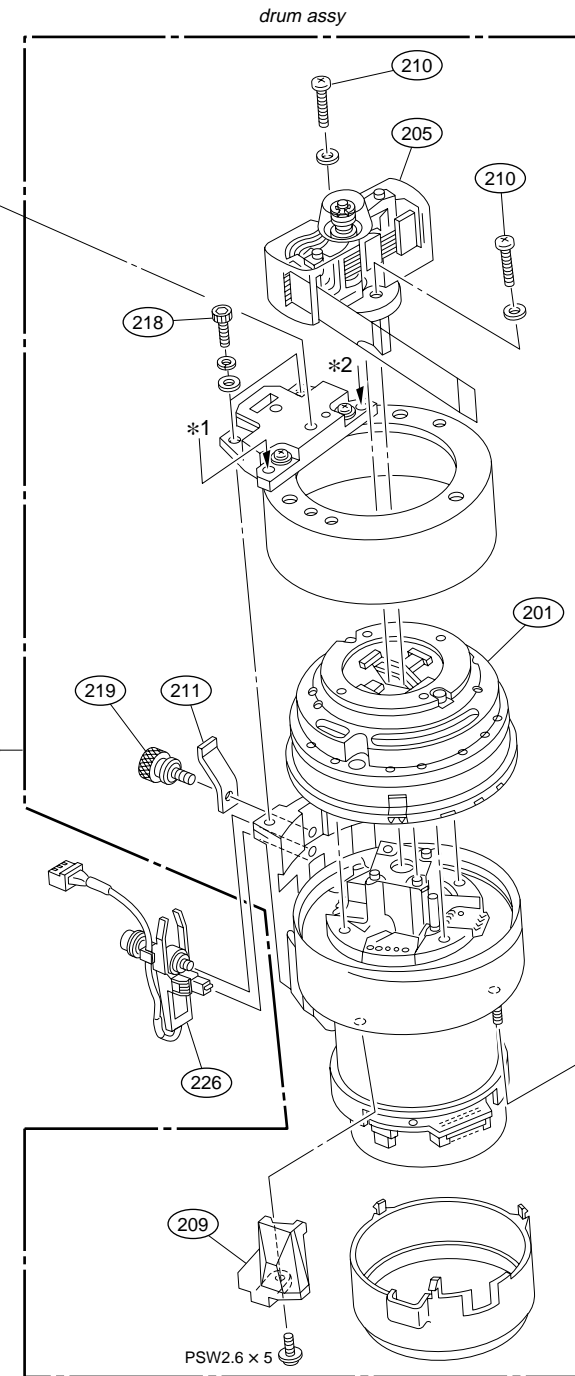
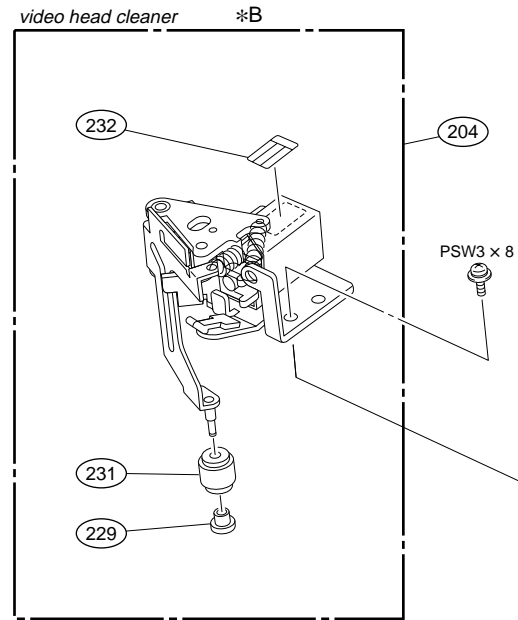
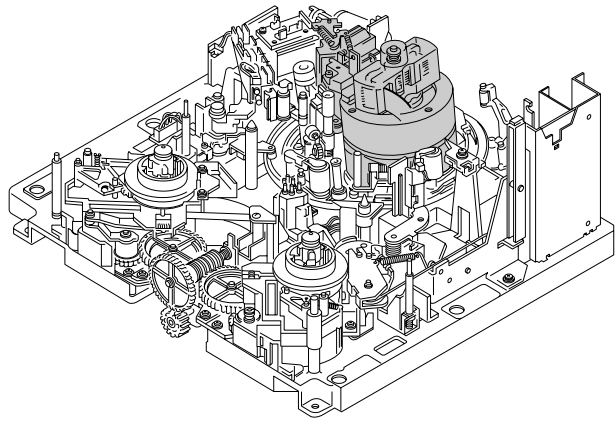
No.	Part No.	SP Description
201	A-8260-687-C s	INNER DRUM ASSY, DJR-02A-R (for DVW-A500P)
	A-8260-689-C s	INNER DRUM ASSY, DJR-04A-R (for DVW-500P)
202	A-8260-691-D s	DRUM ASSY, DJH-02A-R (for DVW-A500P)
	A-8260-693-D s	DRUM ASSY, DJH-04A-R (for DVW-500P)
203	A-8267-391-D s	COVER ASSY, DRUM, UPPER
*A204	A-8267-398-H s	CLEANER ASSY, VIDEO HEAD
*B	A-8320-545-A s	CLEANER (B) ASSY, VIDEO HEAD
205	A-8267-571-A s	SR13 ASSY (RP), BRUSH (for DVW-A500P)
	A-8267-572-A s	SR9 ASSY (RP), BRUSH (for DVW-500P)
206	X-3167-280-3 s	CLEANER SUB ASSY, VIDEO (for S/N 11696 and higher: DVW-A500P(EK)) (for S/N 10031 and higher: DVW-A500P(UC)) (for S/N 10861 and higher: DVW-500P)
	X-3167-280-2 s	CLEANER SUB ASSY, VIDEO (for S/N 10001 thru. 11695: DVW-A500P(EK)) (for S/N 10001 thru. 10030: DVW-A500P(UC)) (for S/N 10001 thru. 10860: DVW-500P)
207	X-3167-045-3 o	BASE ASSY, V CLEANER
208	1-454-607-11 s	SOLENOID, PLUNGER
209	3-180-112-03 s	BRACKET, TAPE
210	3-180-163-01 s	SCREW (2x16)
211	3-180-164-01 s	SPRING, FITTING, UD
213	3-180-729-02 o	LEVER, V CLEANER (for S/N 11696 and higher: DVW-A500P(EK)) (for S/N 10031 and higher: DVW-A500P(UC)) (for S/N 10861 and higher: DVW-500P)
	3-180-729-01 o	LEVER, V CLEANER (for S/N 10001 thru. 11695: DVW-A500P(EK)) (for S/N 10001 thru. 10030: DVW-A500P(UC)) (for S/N 10001 thru. 10860: DVW-500P)
214	3-180-730-01 o	PLATE, STOPPER (for S/N 10001 thru. 11695: DVW-A500P(EK)) (for S/N 10001 thru. 10030: DVW-A500P(UC)) (for S/N 10001 thru. 10860: DVW-500P)
215	3-307-378-00 s	SPRING, TENSION
216	3-642-490-00 s	SPRING, TENSION
217	3-703-074-01 s	CAP 3, SHAFT
218	3-899-249-11 s	BOLT, HEXAGON SOCKET
219	3-182-488-02 s	SCREW, FITTING, UD
221	3-182-648-02 s	CAP
222	3-182-649-01 s	FILTER
223	3-183-901-01 s	WASHER, CL
224	3-183-902-01 o	STOPPER, CL (for S/N 10001 thru. 11695: DVW-A500P(EK)) (for S/N 10001 thru. 10030: DVW-A500P(UC)) (for S/N 10001 thru. 10860: DVW-500P)
225	3-183-903-01 o	CASE, VH SHIELD
226	A-8314-518-A s	HEAD ASSY, DEMAGNETIZATION
227	3-671-150-01 o	CLAMP
228	X-3167-281-3 s	ROLLER ASSY, V CLEANING
229	3-182-765-02 s	SPACER, CR
230	3-190-056-01 s	LABEL, HOURS
*B231	A-8320-546-A s	ROLLER (B) ASSY (RP), V CLEANING
*B232	3-615-958-01 s	LABEL 5, SELF

For DVW-A510P/510P/CA510P

No.	Part No.	SP Description
201	A-8260-747-D s	INNER DRUM ASSY, DJR-06A-R (for DVW-A510P/CA510P)
	A-8260-749-D s	INNER DRUM ASSY, DJR-08A-R (for DVW-510P)
202	A-8260-743-D s	DRUM ASSY, DJH-06A-R (for DVW-A510P/CA510P)
	A-8260-745-D s	DRUM ASSY, DJH-08A-R (for DVW-510P)
203	A-8267-391-D s	COVER ASSY, DRUM, UPPER
*A204	A-8267-398-H s	CLEANER ASSY, VIDEO HEAD
*B	A-8320-545-A s	CLEANER (B) ASSY, VIDEO HEAD
205	A-8267-571-A s	SR13 ASSY (RP), BRUSH (for DVW-A510P/CA510P)
	A-8267-572-A s	SR9 ASSY (RP), BRUSH (for DVW-510P)
206	X-3167-280-3 s	CLEANER SUB ASSY, VIDEO (for S/N 10521 and higher: DVW-A510P) (for S/N 10201 and higher: DVW-510P) (for S/N 10021 and higher: DVW-CA510P)
	X-3167-280-2 s	CLEANER SUB ASSY, VIDEO (for S/N 10001 thru. 10520: DVW-A510P) (for S/N 10001 thru. 10200: DVW-510P) (for S/N 10001 thru. 10020: DVW-CA510P)
207	X-3167-045-3 o	BASE ASSY, V CLEANER
208	1-454-607-11 s	SOLENOID, PLUNGER
209	3-180-112-03 s	BRACKET, TAPE
210	3-180-163-01 s	SCREW (2x16)
211	3-180-164-01 s	SPRING, FITTING, UD
213	3-180-729-02 o	LEVER, V CLEANER (for S/N 10521 and higher: DVW-A510P) (for S/N 10201 and higher: DVW-510P) (for S/N 10021 and higher: DVW-CA510P)
	3-180-729-01 o	LEVER, V CLEANER (for S/N 10001 thru. 10520: DVW-A510P) (for S/N 10001 thru. 10200: DVW-510P) (for S/N 10001 thru. 10020: DVW-CA510P)
214	3-180-730-01 o	PLATE, STOPPER (for S/N 10001 thru. 10520: DVW-A510P) (for S/N 10001 thru. 10200: DVW-510P) (for S/N 10001 thru. 10020: DVW-CA510P)
215	3-307-378-00 s	SPRING, TENSION
216	3-642-490-00 s	SPRING, TENSION
217	3-703-074-01 s	CAP 3, SHAFT
218	3-899-249-11 s	BOLT, HEXAGON SOCKET
219	3-182-488-02 s	SCREW, FITTING, UD
221	3-182-648-02 s	CAP
222	3-182-649-01 s	FILTER
223	3-183-901-01 s	WASHER, CL
224	3-183-902-01 o	STOPPER, CL (for S/N 10001 thru. 10520: DVW-A510P) (for S/N 10001 thru. 10200: DVW-510P) (for S/N 10001 thru. 10020: DVW-CA510P)
225	3-183-903-01 o	CASE, VH SHIELD
226	A-8314-518-A s	HEAD ASSY, DEMAGNETIZATION
227	3-671-150-01 o	CLAMP
228	X-3167-281-3 s	ROLLER ASSY, V CLEANING
229	3-182-765-02 s	SPACER, CR
230	3-190-056-01 s	LABEL, HOURS
*B231	A-8320-546-A s	ROLLER (B) ASSY (RP), V CLEANING
*B232	3-615-958-01 s	LABEL 5, SELF



Drum and Rotary Head Cleaner Block



## S TENSION REGULATOR BLOCK

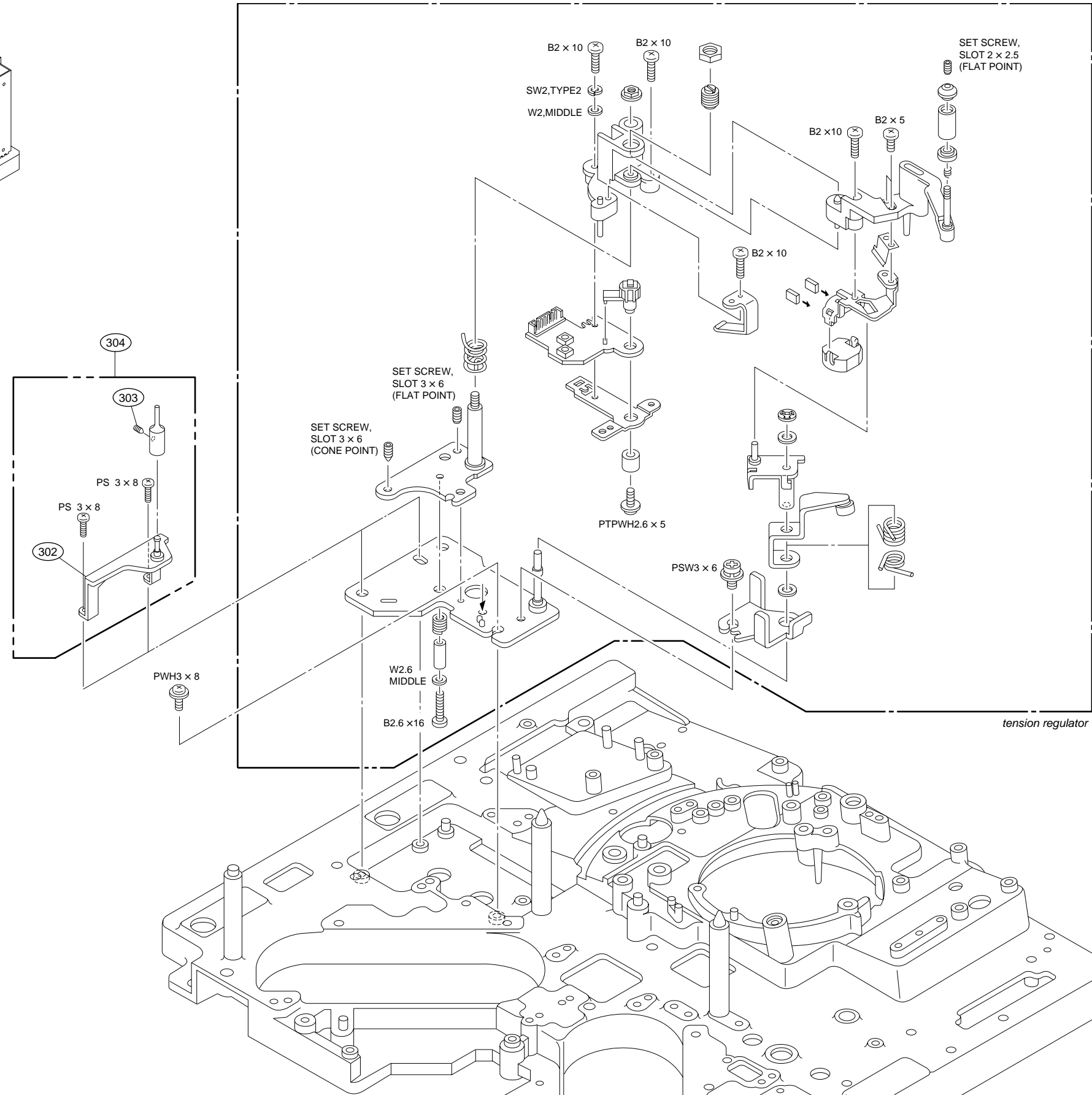
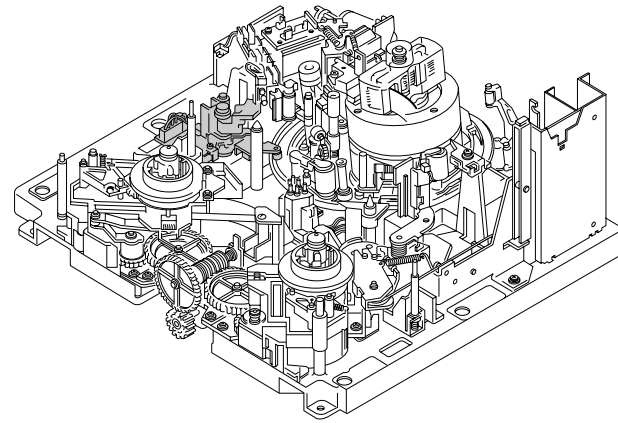
## S TENSION REGULATOR BLOCK

No.	Part No.	SP Description
301	A-8267-795-E	s TENSION REGULATOR ASSY (RP)

If the component parts of the S tension regulator assembly are needed to replace, replace as a whole assembled parts instead of as a component part because of the strict adjustment is required.

302	X-3608-153-1	o PLATE (S) ASSY
303	3-701-506-01	s SET SCREW, DOUBLE POINT 3x4
304	A-8326-006-A	s L CASSETTE HOLDER (RP) KIT

S Tention Regulator Block



301

## For DVW-A500P/500P

No.	Part No.	SP Description
401	A-8267-392-A	o SENSOR ASSY, MR
403	A-8267-554-B	s TG-2 ASSY
404	X-3167-044-3	o BASE ASSY, CTL/FE (for S/N 12036 and higher: DVW-A500P(EK)) (for S/N 11288 and higher: DVW-A500(UC)) (for S/N 10421 and higher: DVW-A500(J)) (for S/N 11046 and higher: DVW-500P(EK)) (for S/N 11667 and higher: DVW-500(UC)) (for S/N 10061 and higher: DVW-500(J))
405	X-3167-056-1	s ROLLER ASSY, GUIDE
408	2-203-519-21	s NUT (A), LOCK, PIVOT
410	3-180-665-02	o FLANGE (L), UPPER
411	3-180-725-01	s SPRING, CTL/FE
412	3-180-726-02	o BRACKET, CTL/FE (for S/N 12036 and higher: DVW-A500P(EK)) (for S/N 11288 and higher: DVW-A500(UC)) (for S/N 10421 and higher: DVW-A500(J)) (for S/N 11046 and higher: DVW-500P(EK)) (for S/N 11667 and higher: DVW-500(UC)) (for S/N 10061 and higher: DVW-500(J))
413	3-180-745-01	o LEVER, MR
414	3-180-746-01	o HOLDER, MR
417	3-181-489-01	s FLANGE, DIA. 8
418	3-181-834-01	o PULLEY, ME
419	3-181-839-01	o WIRE, STAINLESS
420	3-563-104-00	s SPRING, TENSION
421	3-657-842-11	o SPACER (3x7)
422	3-661-588-01	s SPACER (3x5)
423	3-701-788-XX	s SPRING, TENSION (27T)
426	3-738-730-01	s SPRING, COMPRESSION
428	4-869-230-00	s SPRING, COMPRESSION
429	4-880-426-00	o SPRING, COMPRESSION
431	8-825-554-84	s HEAD, CTL PS244-21B
432	8-825-770-74	s HEAD, FE EF291-21
433	X-3167-257-1	o IDLER ASSY, ME
434	1-506-481-11	o PIN, CONNECTOR 2P
435	1-564-013-11	o PIN, CONNECTOR 3P
436	3-669-596-00	s WASHER, 2.3
437	A-8267-411-B	o HEAD ASSY, CTL/FE
438	3-740-546-31	s SCREW (M2x12)

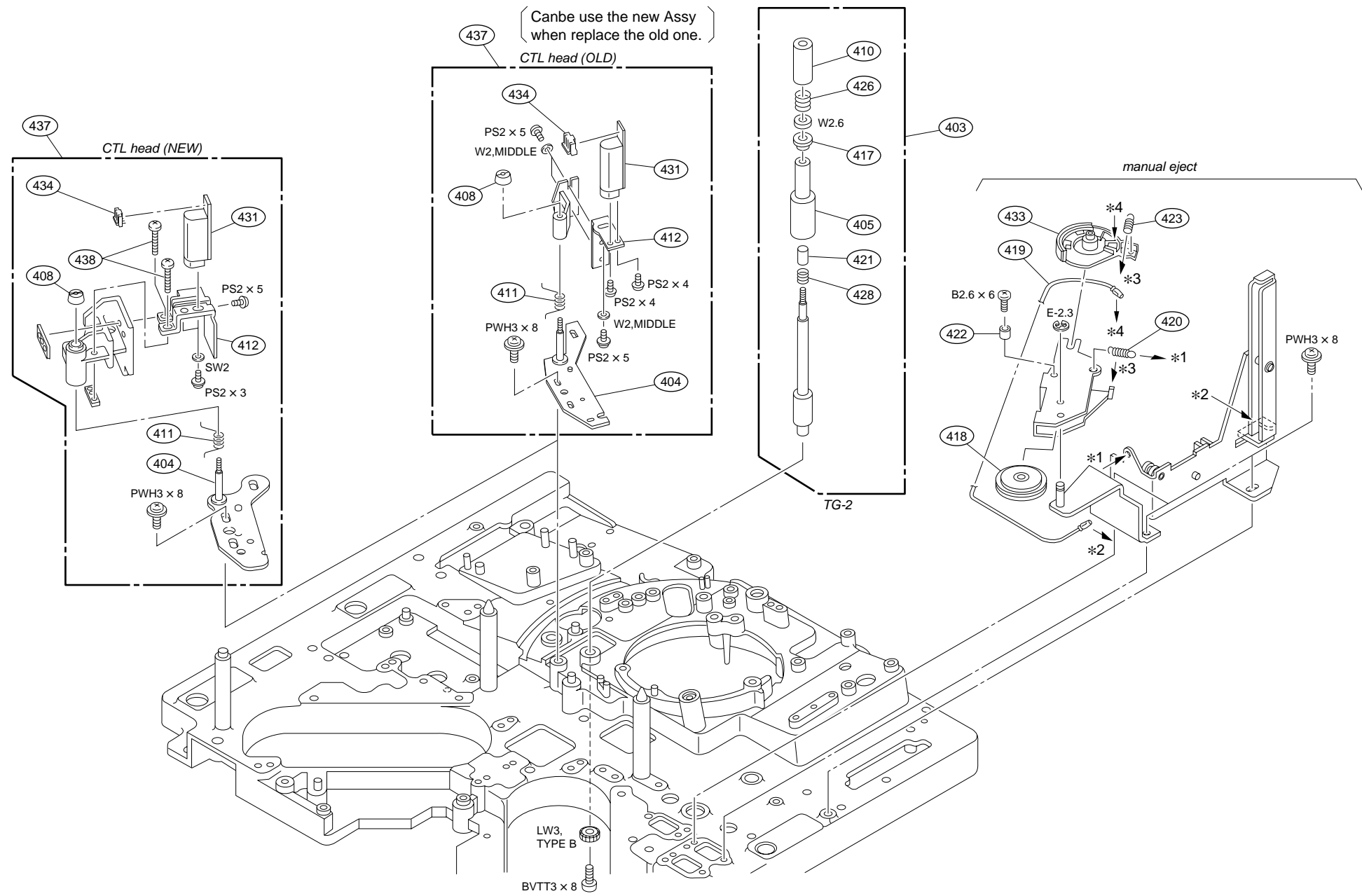
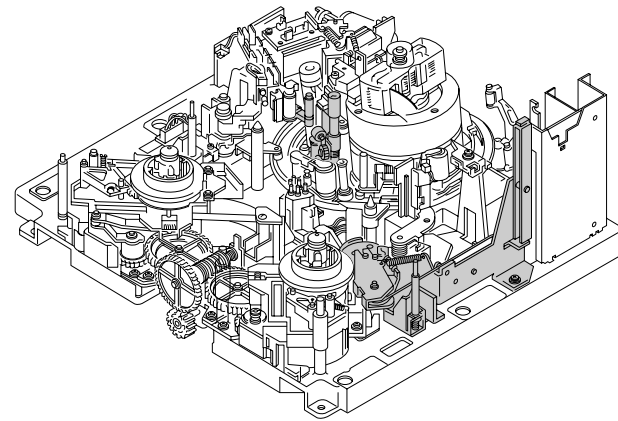


## For DVW-A510P/510P/CA510P

No.	Part No.	SP Description
403	A-8267-554-B	s TG-2 ASSY
404	X-3167-044-3	o BASE ASSY, CTL/FE (for S/N 10721 and higher: DVW-A510P(EK)) (for S/N 10257 and higher: DVW-A510(UC)) (for S/N 10101 and higher: DVW-A510(J)) (for S/N 10251 and higher: DVW-510P(EK)) (for S/N 10098 and higher: DVW-510(UC)) (for S/N 10021 and higher: DVW-510(J)) (for S/N 10051 and higher: DVW-CA510P(EK)) (for S/N 10010 and higher: DVW-CA510(UC)) (for S/N 10001 and higher: DVW-CA510(J))
	X-3167-044-1	o BASE ASSY, CTL/FE (for S/N 10001 thru. 10720: DVW-A510P(EK)) (for S/N 10001 thru. 10256: DVW-A510(UC)) (for S/N 10001 thru. 10100: DVW-A510(J)) (for S/N 10001 thru. 10250: DVW-510P(EK)) (for S/N 10001 thru. 10097: DVW-510(UC)) (for S/N 10001 thru. 10020: DVW-510(J)) (for S/N 10001 thru. 10050: DVW-CA510P(EK)) (for S/N 10001 thru. 10009: DVW-CA510(UC))
405	X-3167-056-1	s ROLLER ASSY, GUIDE
408	2-203-519-21	s NUT (A), LOCK, PIVOT
410	3-180-665-02	o FLANGE (L), UPPER
411	3-180-725-01	s SPRING, CTL/FE
412	3-180-726-02	o BRACKET, CTL/FE (for S/N 10721 and higher: DVW-A510P(EK)) (for S/N 10257 and higher: DVW-A510(UC)) (for S/N 10101 and higher: DVW-A510(J)) (for S/N 10251 and higher: DVW-510P(EK)) (for S/N 10098 and higher: DVW-510(UC)) (for S/N 10021 and higher: DVW-510(J)) (for S/N 10051 and higher: DVW-CA510P(EK)) (for S/N 10010 and higher: DVW-CA510(UC)) (for S/N 10001 and higher: DVW-CA510(J))
	3-180-726-01	o BRACKET, CTL/FE (for S/N 10001 thru. 10720: DVW-A510P(EK)) (for S/N 10001 thru. 10256: DVW-A510(UC)) (for S/N 10001 thru. 10100: DVW-A510(J)) (for S/N 10001 thru. 10250: DVW-510P(EK)) (for S/N 10001 thru. 10097: DVW-510(UC)) (for S/N 10001 thru. 10020: DVW-510(J)) (for S/N 10001 thru. 10050: DVW-CA510P(EK)) (for S/N 10001 thru. 10009: DVW-CA510(UC))
417	3-181-489-01	s FLANGE, DIA. 8
418	3-181-834-01	o PULLEY, ME
419	3-181-839-01	o WIRE, STAINLESS
420	3-563-104-00	s SPRING, TENSION
421	3-657-842-11	o SPACER (3x7)
422	3-661-588-01	s SPACER (3x5)
423	3-701-788-XX	s SPRING, TENSION (27T)
426	3-738-730-01	s SPRING, COMPRESSION
428	4-869-230-00	s SPRING, COMPRESSION
431	8-825-554-84	s HEAD, CTL PS244-21B
433	X-3167-257-1	o IDLER ASSY, ME
434	1-506-481-11	o PIN, CONNECTOR 2P
437	A-8267-860-B	o HEAD ASSY, CTL
438	3-740-546-31	s SCREW (M2x12)

For DVW-A510P/510P/CA510P  
For DVW-A510/510/CA510

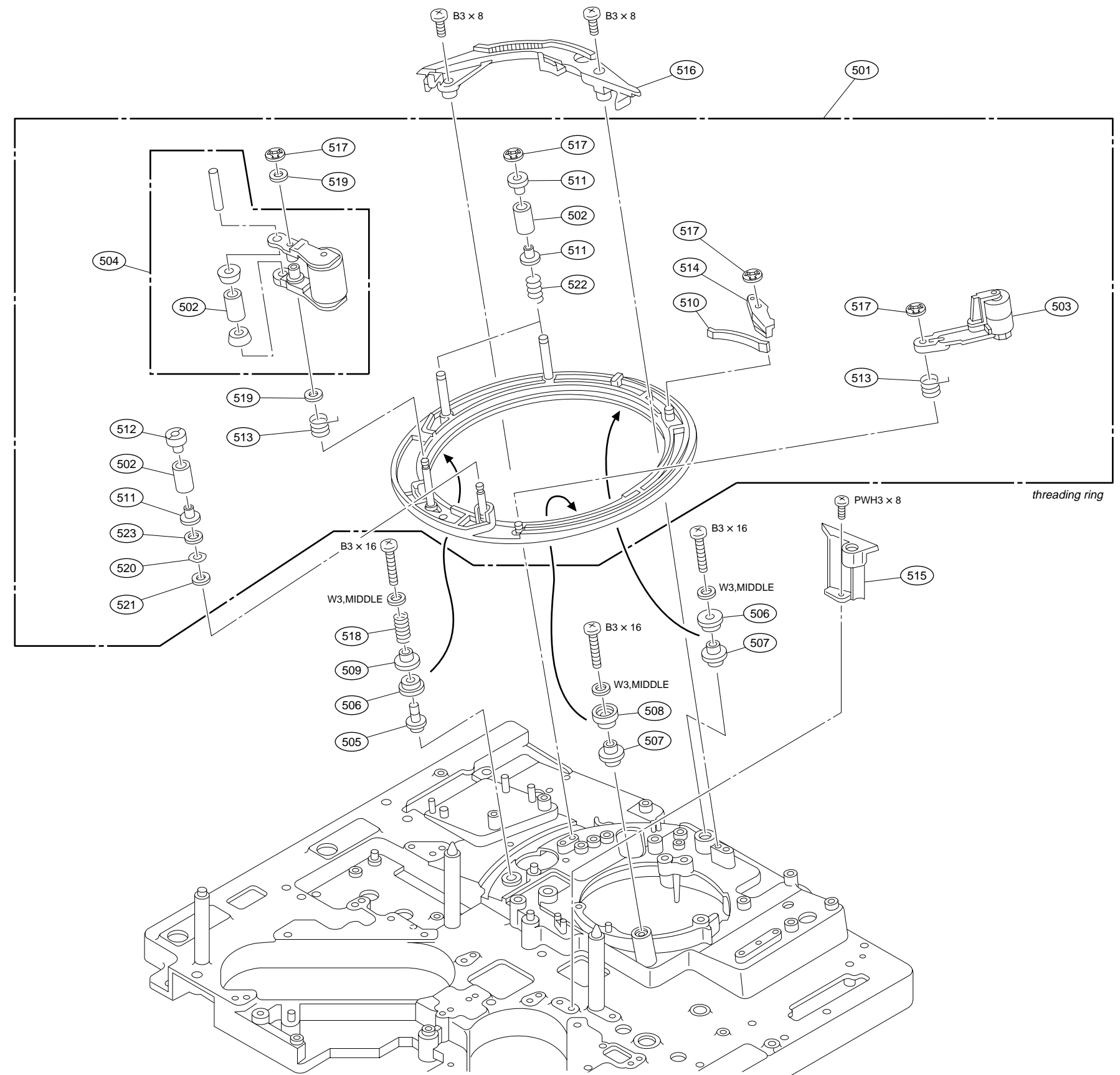
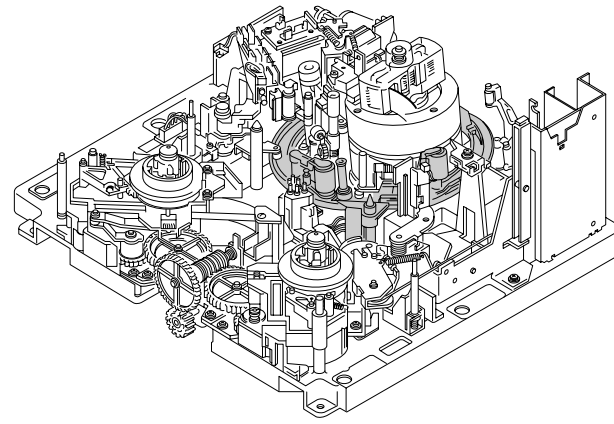
**CTL Head Block**



No.	Part No.	SP Description
501	A-8267-395-J	s RING ASSY, THREADING
502	X-3167-052-2	s ROLLER ASSY, ONEBARE
503	X-3167-053-2	s ARM ASSY, CL
504	X-3167-054-5	s ARM ASSY, PINCH
505	3-180-676-01	s SHAFT, (B) RING ROLLER
506	3-180-677-01	s ROLLER, RING
507	3-180-678-01	s SHAFT, RING ROLLER
508	3-180-679-01	s ROLLER, (B) RING
509	3-180-681-01	s ROLLER (C) RING
510	3-180-772-01	s SPRING (RG), PLATE
511	3-629-781-01	s FLANGE, ONEBARE USE
512	3-180-774-03	s FLANGE, TG5 (UPPER)
513	3-180-849-01	s SPRING (C), TORSION
514	3-180-850-01	s ARM, LOCK
515	3-180-853-01	s GUARD, PINCH ARM
516	3-180-874-02	s RAIL, CL GUIDE
517	3-669-596-01	s WASHER (2.3), STOPPER
518	3-676-327-01	s SPRING, COMPRESSION
519	3-701-439-11	s WASHER, POLY 3mm DIA., 0.25T
	3-701-439-01	s WASHER, POLY 3mm DIA., 0.13T
520	3-714-587-01	o SPRING, LEAF
521	3-739-736-02	o BASE, SPRING
522	4-879-563-00	s SPRING, COMPRESSION
523	3-701-439-21	s WASHER, POLY 3mm DIA., 0.50T



Threading Ring and Pinch Roller Block

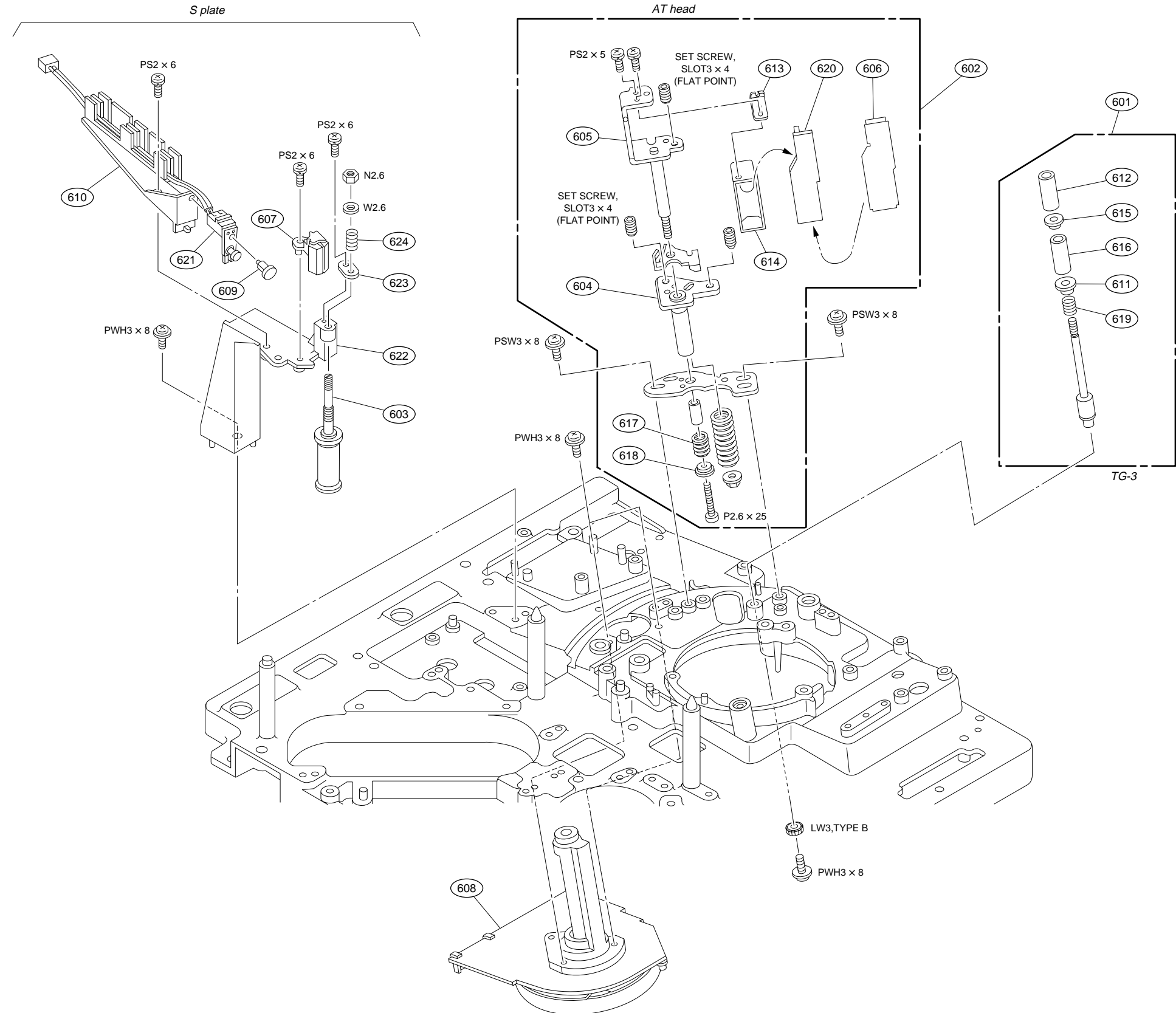
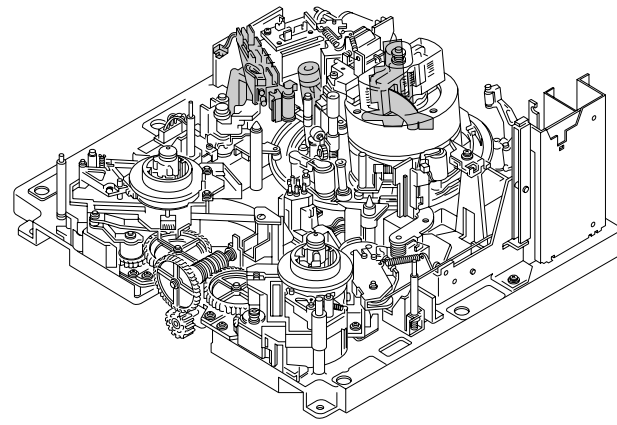


## For DVW-A500P/500P

No.	Part No.	SP Description
601	A-8267-394-C	s TG-3 ASSY
602	A-8267-422-B	o HEAD ASSY, AT
603	X-3167-049-3	s GUIDE ASSY, TG-0
604	X-3167-057-1	o PLATE, ADJUSTMENT ASSY, AT
605	X-3167-061-2	o BRACKET ASSY, AT
606	X-3167-142-2	o PLATE, SHIELD ASSY, AT
607	X-3167-203-4	o CLEANER ASSY, TWIN TAPE
608	A-8325-389-A	s MOTOR ASSY (RP), CAPSTAN
609	2-279-715-01	s RIVET, NYLON
610	3-180-403-01	o HOLDER, SENSOR
611	3-180-669-02	s FLANGE, FIXED GUIDE USE
612	3-180-670-01	o NUT, FIXED GUIDE ADJUSTMENT
613	3-180-826-01	o GOOSENECK PLATE
614	3-180-829-04	o CASE, SHIELD AT
615	3-181-489-01	s FLANGE, DIA. 8
616	3-181-491-01	o SLEEVE, DIA. 6
617	3-181-979-01	o SPRING, COMPRESSION
618	3-181-980-01	o SPACER, AT
619	3-738-730-01	s SPRING, COMPRESSION
620	8-825-778-23	s HEAD, AUDIO EPS244-2103G
621	1-543-316-31	s HEAD, SENSING (SMALL TYPE)
622	3-180-869-04	s PLATE, (S)
623	3-183-823-01	o BRACKET, GUIDE RETAINER
624	3-669-316-01	s SPRING, COMPRESSION

For DVW-A500P/500P  
For DVW-A500/500

AT Head and Capstan Motor Block

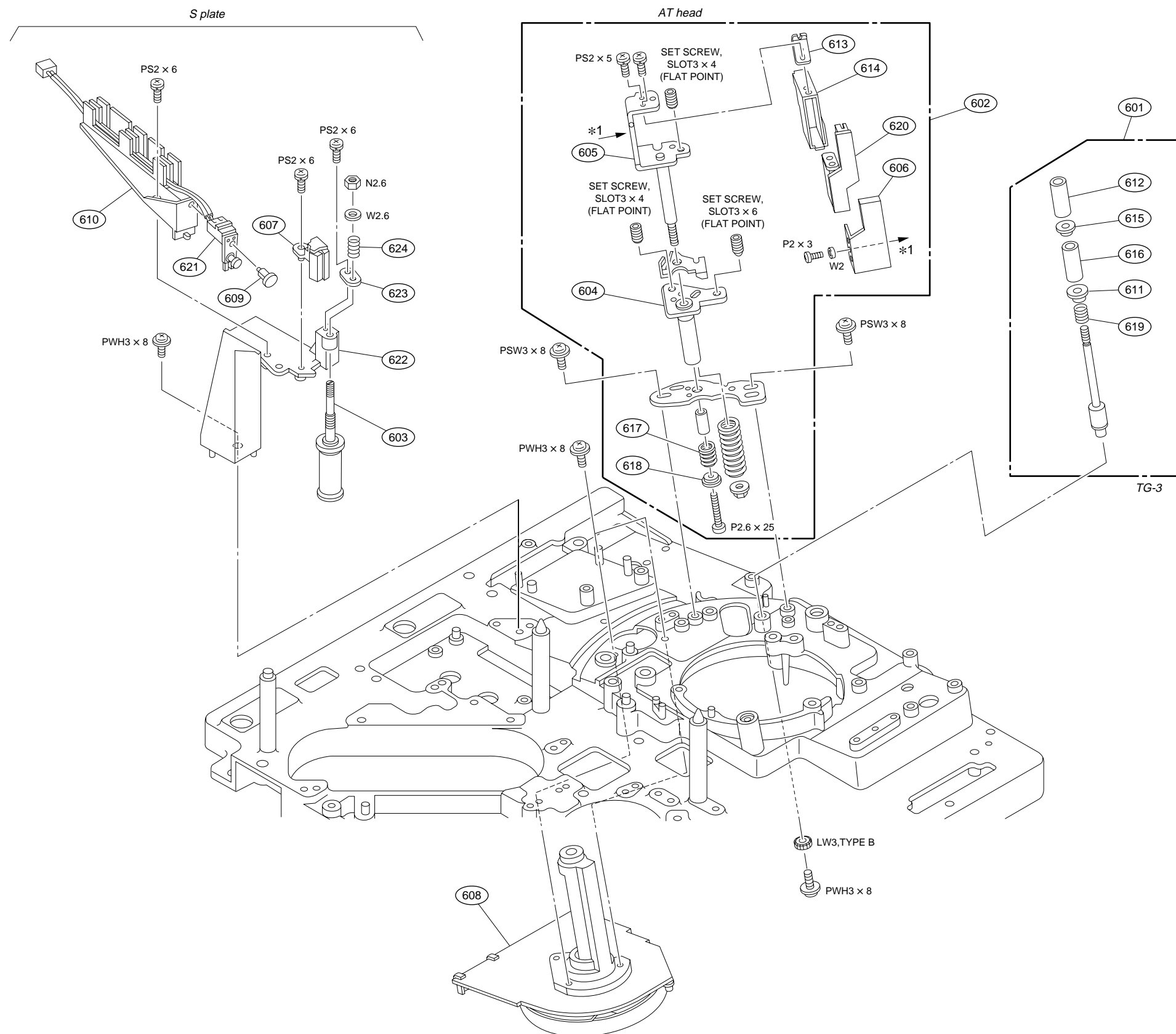
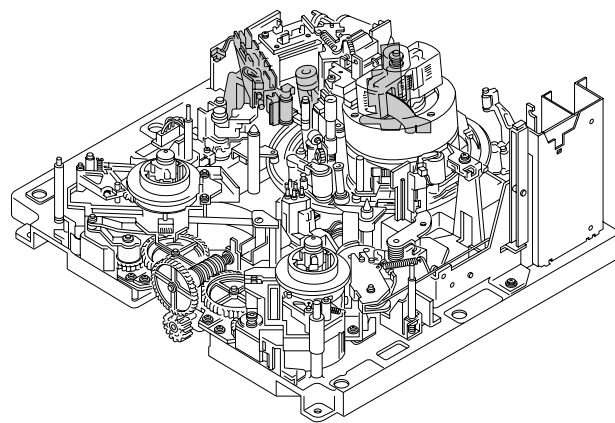


## For DVW-A510P/510P/CA510P

No.	Part No.	SP Description
601	A-8267-394-C	s TG-3 ASSY
602	A-8267-422-B	o HEAD ASSY, AT
603	X-3167-049-3	s GUIDE ASSY, TG-0
604	X-3167-057-1	o PLATE, ADJUSTMENT ASSY, AT
605	X-3167-061-2	o BRACKET ASSY, AT
606	X-3167-142-2	o PLATE, SHIELD ASSY, AT
607	X-3167-203-4	o CLEANER ASSY, TWIN TAPE
608	A-8325-389-A	s MOTOR ASSY (RP), CAPSTAN
609	2-279-715-01	s RIVET, NYLON
610	3-180-403-01	o HOLDER, SENSOR
611	3-180-669-02	s FLANGE, FIXED GUIDE USE
612	3-180-670-01	o NUT, FIXED GUIDE ADJUSTMENT
613	3-180-826-01	o GOOSENECK PLATE
614	3-180-829-04	o CASE, SHIELD AT
615	3-181-489-01	s FLANGE, DIA. 8
616	3-181-491-01	o SLEEVE, DIA. 6
617	3-181-979-01	o SPRING, COMPRESSION
618	3-181-980-01	o SPACER, AT
619	3-738-730-01	s SPRING, COMPRESSION
620	8-825-778-22	s HEAD, AUDIO EPS244-2103G
621	1-543-316-31	s HEAD, SENSING (SMALL TYPE)
622	3-180-869-04	s PLATE, (S)
623	3-183-823-01	o BRACKET, GUIDE RETAINER
624	3-669-316-01	s SPRING, COMPRESSION

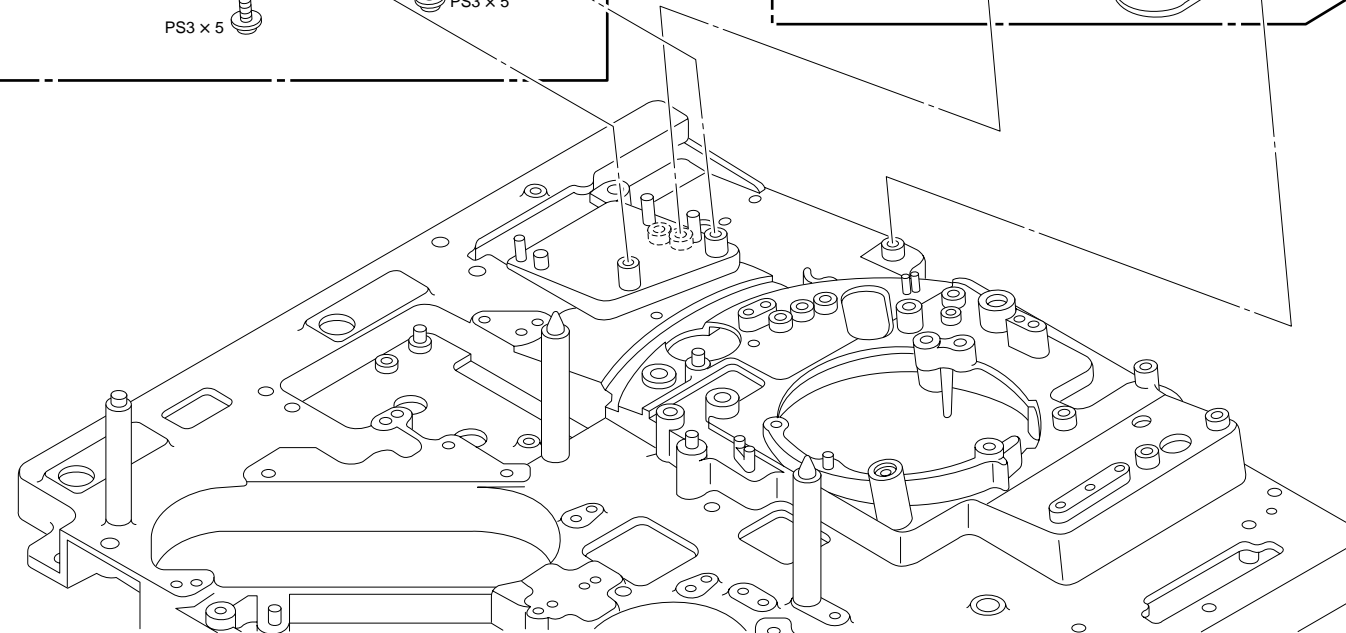
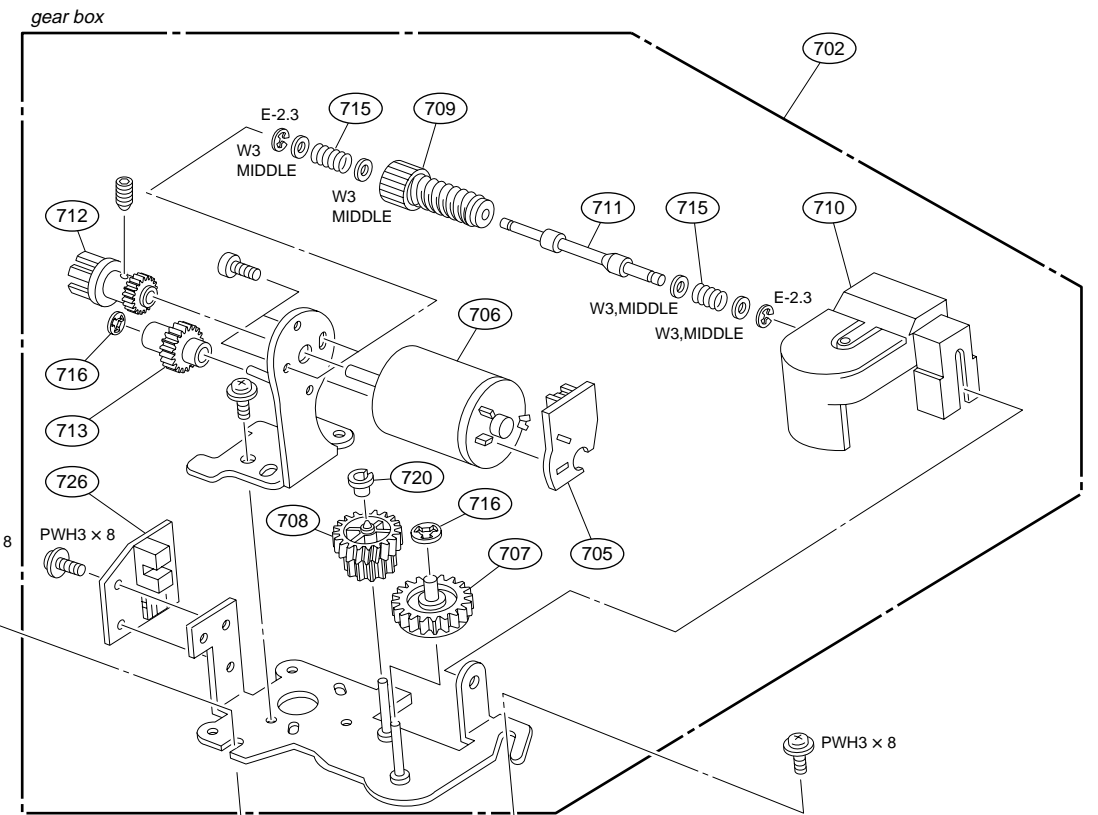
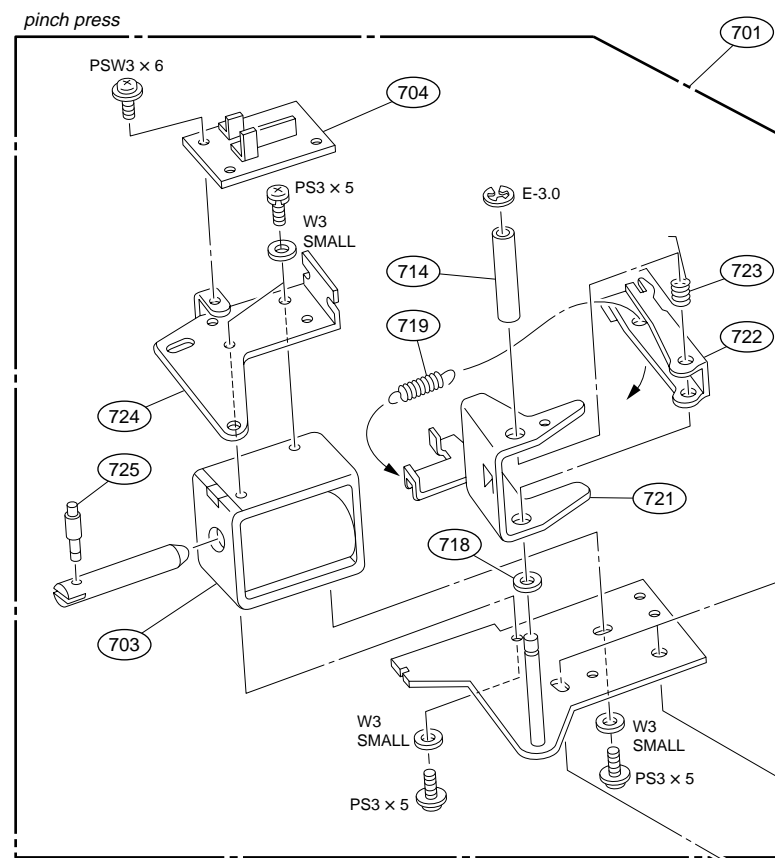
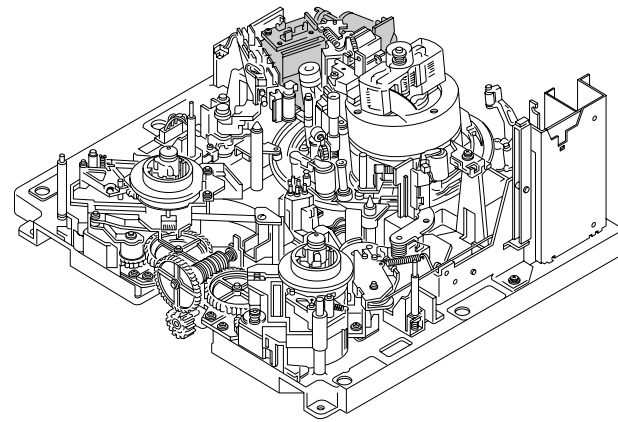
For DVW-A510P/510P/CA510P  
For DVW-A510/510/CA510

AT Head and Capstan Motor Block



No.	Part No.	SP Description
701	A-6749-117-C	o PRESS ASSY, PINCH
702	A-8323-825-A	s BOX ASSY (RP), GEAR
703	1-454-338-11	s SOLENOID, PLUNGER
704	1-622-596-11	o PRINTED CIRCUIT BOARD, PD-35
705	1-648-570-12	s PRINTED CIRCUIT BOARD, CCM-15
706	1-698-152-11	s MOTOR (SVD-1449), DC
707	3-180-717-01	s GEAR, RING
708	3-180-718-01	s GEAR, DRIVE
709	3-180-719-01	s GEAR, WORM
710	3-180-720-01	o GUARD, WORM
711	3-180-843-02	o SHAFT, WORM
712	3-180-844-02	s GEAR, (M)
713	3-180-845-01	s GEAR, (B)
714	3-653-382-01	o SPACER (4x25)
715	3-659-324-00	s SPRING, COMPRESSION
716	3-669-596-01	s WASHER (2.3), STOPPER
718	3-701-441-21	s WASHER, POLY 4mm DIA., 0.50T
719	3-701-788-XX	s SPRING, TENSION (12T)
720	3-703-074-01	s CAP 3, SHAFT
721	3-717-246-01	o LEVER, PRESS, P
722	3-717-247-01	o LIMITER, P
723	3-717-248-01	o SPRING
724	3-717-249-01	o STOPPER, P
725	3-717-250-02	o SHAFT, JOINT, P
726	1-640-163-12	o PRINTED CIRCUIT BOARD, PTC-54

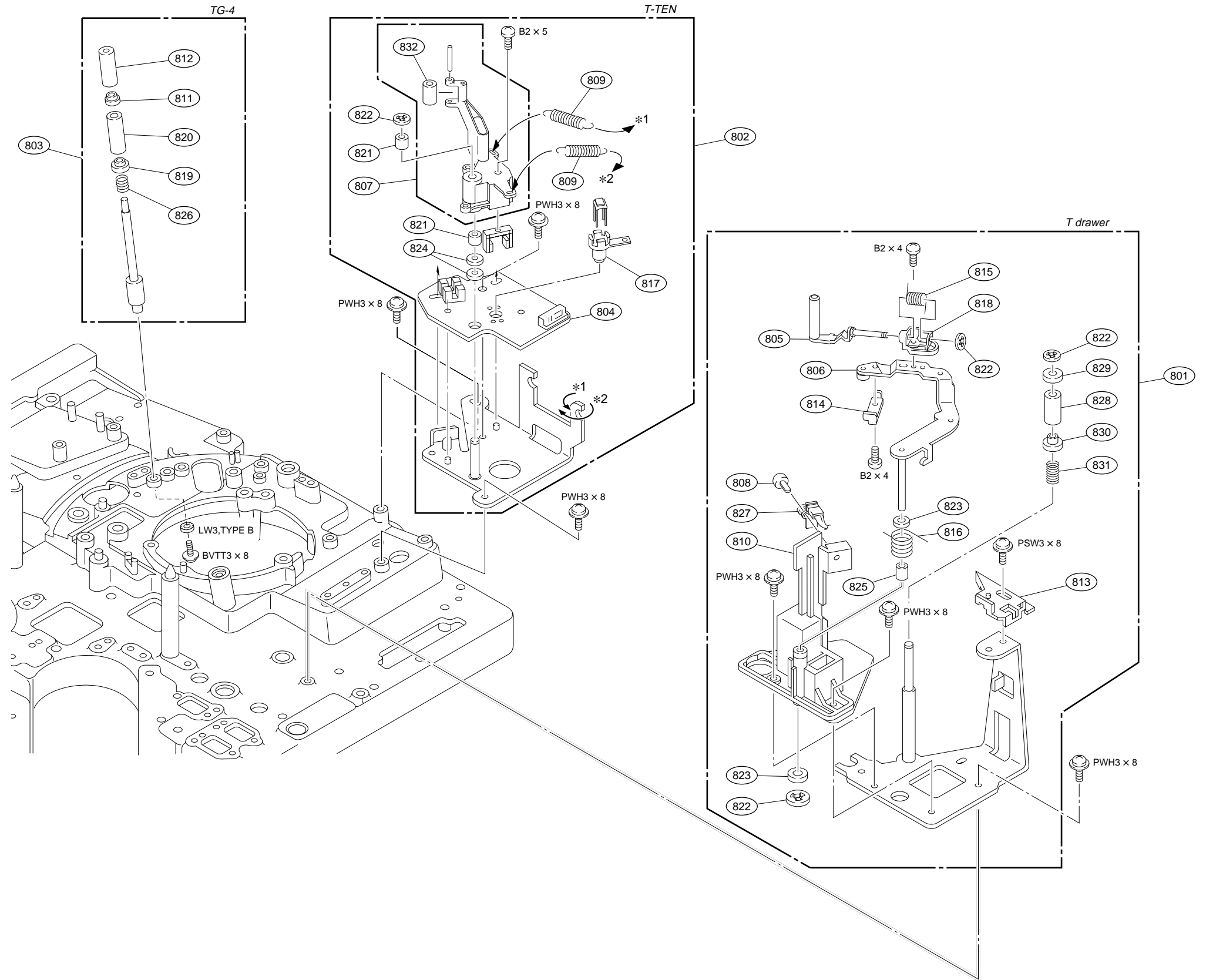
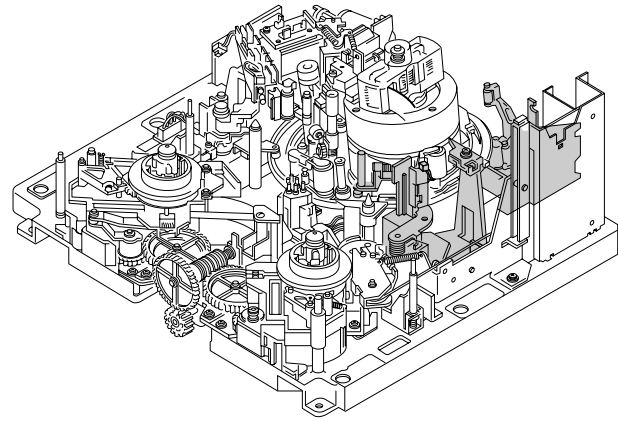
Pinch Press and Gear Box Block



No.	Part No.	SP Description
801	A-8274-876-F	s DRAWER ASSY, T
802	A-8267-423-C	s T-TEN ASSY
803	A-8267-555-D	s TG-4 ASSY
804	A-8276-628-A	o MOUNTED CIRCUIT BOARD, TR-79
805	X-3678-288-2	s GUIDE ASSY, SLANT
806	X-3167-063-4	s ARM ASSY, DRAWING, T
807	X-3167-064-5	s ARM ASSY, T TEN
808	2-279-715-01	s RIVET, NYLON
809	3-180-262-01	s SPRING, TENSION
810	3-180-404-02	o BASE, DRAWING, T
811	3-180-669-02	s FLANGE, FIXED GUIDE USE
812	3-180-670-01	o NUT, FIXED GUIDE ADJUSTMENT
813	3-180-708-01	s PLATE, SLANT GUIDE ADJUSTMENT
814	3-180-710-03	s GUARD, DRAWER
815	3-180-715-01	s SPRING, (A) TORSION COIL
816	3-180-716-02	s SPRING, (B) TORSION COIL
817	3-180-861-01	o HOLDER, DME
818	3-180-863-03	s BASE, SLANT GUIDE
819	3-190-819-01	s FLANGE, DIA. 8
820	3-181-490-01	o SLEEVE, DIA. 7
821	3-645-028-00	s BEARING, BALL
822	3-669-596-01	s WASHER (2.3), STOPPER
823	3-701-439-01	s WASHER, POLY 3mm DIA., 0.13T
	3-701-439-11	s WASHER, POLY 3mm DIA., 0.25T
	3-701-439-21	s WASHER, POLY 3mm DIA., 0.50T
824	3-701-439-21	s WASHER, POLY 3mm DIA., 0.50T
825	3-717-253-01	s ROLLER
826	3-738-730-01	s SPRING, COMPRESSION
827	1-543-316-31	s HEAD, SENSING (SMALL TYPE)
828	X-3167-347-2	s ROLLER ASSY, GUIDE
829	3-183-460-02	s FLANGE (B), UPPER
830	3-183-462-02	s FLANGE, LOWER
831	4-879-563-00	s SPRING, COMPRESSION
832	X-3167-052-2	s ROLLER ASSY, ONEBARE



T Tension Regulator Block



For DVW-A500P/500P/A510P/510P

No.	Part No.	SP Description	No.	Part No.	SP Description
*A (for S/N 10001 thru. 21892: DVW-A500P(EK))	901	A-8267-589-J s CASSETTE COMPARTMENT ASSY	957	3-701-443-21 s WASHER, POLY 5mm DIA., 0.50T	(for S/N 10001 thru. 12891: DVW-A500P(EK))
(for S/N 10001 thru. 10358: DVW-A500P(UC))	902	A-8315-619-B s MOUNTED CIRCUIT BOARD, PC-70			(for S/N 10001 thru. 10054: DVW-A500P(UC))
(for S/N 10001 thru. 16770: DVW-500P(EK))	903	A-8315-621-B s MOUNTED CIRCUIT BOARD, CL-29			(for S/N 10001 thru. 11700: DVW-500P(EK))
(for S/N 10001 thru. 10220: DVW-500P(UC))	904	A-8315-623-C s MOUNTED CIRCUIT BOARD, LP-81			(for S/N 10001 thru. 10030: DVW-500P(UC))
(for S/N 10001 thru. 14330: DVW-A510P(EK))	905	A-8276-957-B s STAGE ASSY			(for S/N 10001 thru. 11950: DVW-A500(UC))
(for S/N 10001 thru. 11394: DVW-510(EK))					(for S/N 10001 thru. 11019: DVW-500(UC))
*B (for S/N 21893 and higher: DVW-A500P(EK))	907	X-3167-849-1 o DECK (L) ASSY, PULLEY			(for S/N 10001 thru. 10620: DVW-A500(J))
(for S/N 10359 and higher: DVW-A500P(UC))	908	X-3167-848-1 o DECK (R) ASSY, PULLEY			(for S/N 10001 thru. 10100: DVW-500(J))
(for S/N 16771 and higher: DVW-500P(EK))	909	X-3167-447-1 o SLIDER (R) ASSY			(for S/N 10001 thru. 11109: DVW-A510P(EK))
(for S/N 10221 and higher: DVW-500P(UC))	910	X-3167-446-1 o SLIDER (L) ASSY			(for S/N 10001 thru. 10340: DVW-510P(EK))
(for S/N 14331 and higher: DVW-A510P(EK))	*A 911	X-3166-217-1 s MIRROR ASSY			(for S/N 10001 thru. 10474: DVW-A510(UC))
(for S/N 11395 and higher: DVW-510P(EK))	*B	X-3166-217-2 s MIRROR ASSY			(for S/N 10001 thru. 10139: DVW-510(UC))
	912	1-665-836-11 s PC BOARD, CL-41 FLEXIBLE			(for S/N 10001 thru. 10185: DVW-A510(J))
	913	3-188-745-01 s BEARING, BALL, (NO FRANGE)			(for S/N 10001 thru. 10030: DVW-510(J))
	914	3-171-367-06 o SWITCH (R), IN			
	915	3-171-398-05 o SWITCH (L), IN	958	3-712-786-01 s DAMPER, OIL	
	916	3-171-399-02 o GUIDE (R), CASSETTE	959	3-717-369-04 o STOPPER, DOOR	
			960	4-858-799-00 s SPRING, TENSION	
			961	1-698-152-11 s MOTOR, DC (SVD-1449)	
			962	3-182-706-01 s SPACER	
	917	3-171-400-04 o GUIDE (L), CASSETTE			
	919	3-171-418-03 s WORM	963	3-171-459-01 s ROLLER, GUIDE	(for S/N 10001 thru. 12891: DVW-A500P(EK))
	920	3-171-419-11 s WHEEL			(for S/N 10001 thru. 10054: DVW-A500P(UC))
	921	3-171-420-04 o SHUTTER			(for S/N 10001 thru. 11700: DVW-500P(EK))
	922	3-171-421-01 o SLIDER, DOOR SWITCHING			(for S/N 10001 thru. 10030: DVW-500P(UC))
					(for S/N 10001 thru. 11950: DVW-A500(UC))
	923	3-171-422-01 o LEVER, DOOR SWITCHING			(for S/N 10001 thru. 11019: DVW-500(UC))
	924	3-171-423-02 o JOINT, MOTOR			(for S/N 10001 thru. 10620: DVW-A500(J))
	925	3-171-424-02 o HOLDER, SENSOR			(for S/N 10001 thru. 10100: DVW-500(J))
	926	3-171-457-03 o SHAFT, JOINT			(for S/N 10001 thru. 11109: DVW-A510P(EK))
	927	3-171-458-01 s BELT, TIMING			(for S/N 10001 thru. 10340: DVW-510P(EK))
					(for S/N 10001 thru. 10474: DVW-A510(UC))
	928	3-171-459-01 s ROLLER, GUIDE			(for S/N 10001 thru. 10139: DVW-510(UC))
	929	3-171-460-01 s ROLLER, SLIDER			(for S/N 10001 thru. 10185: DVW-A510(J))
	930	3-171-461-04 o SHAFT, RETAINER, L CASSETTE			(for S/N 10001 thru. 10030: DVW-510(J))
	934	3-171-465-01 o GEAR, DRIVING			
	935	3-171-466-02 o GEAR, LIMITER			
	936	3-171-479-01 o GEAR, MIDWAY			
	937	3-171-480-01 o SHAFT, WORM WHEEL	3-188-273-01 s ROLLER (B), GUIDE		(for S/N 12892 and higher: DVW-A500P(EK))
	*A 938	3-171-508-04 o HOLDER, LAMP			(for S/N 10055 and higher: DVW-A500P(UC))
	*B	3-171-508-05 o HOLDER, LAMP			(for S/N 11701 and higher: DVW-500P(EK))
	939	3-171-510-02 s DOOR, CASSETTE			(for S/N 10031 and higher: DVW-500P(UC))
	940	3-174-908-01 s STOPPER			(for S/N 11951 and higher: DVW-A500(UC))
					(for S/N 11020 and higher: DVW-500(UC))
	941	3-176-139-01 s SPRING, C GUIDE			(for S/N 10621 and higher: DVW-A500(J))
	942	3-194-680-01 s SPRING, TENSION			(for S/N 10101 and higher: DVW-500(J))
	944	3-176-583-01 o PULLEY (A)			(for S/N 11110 and higher: DVW-A510P(EK))
	945	3-176-584-01 o PULLEY (B)			(for S/N 10341 and higher: DVW-510P(EK))
	946	3-176-598-02 o SPRING, GROUND			(for S/N 10475 and higher: DVW-A510(UC))
					(for S/N 10140 and higher: DVW-510(UC))
	947	3-181-430-01 o WHEEL, WORM			(for S/N 10186 and higher: DVW-A510(J))
	948	3-181-431-01 o RUBBER, LIMITER			(for S/N 10031 and higher: DVW-510(J))
	949	3-548-757-00 s SPRING, TENSION	964	X-3167-848-1 o DECK(R) ASSY, PULLEY	
	950	3-579-759-00 s SPRING, COMPRESSION	965	X-3167-849-1 o DECK(L) ASSY, PULLEY	
	951	3-646-214-00 s SPRING	966	3-190-575-01 s SPRING, TENSION	
			967	X-3168-049-1 s LEAF SPRING(R) ASSY	
	952	3-671-150-01 o CLAMP	968	X-3168-050-1 s LEAF SPRING(L) ASSY	
	953	3-672-461-00 s SPRING, TENSION			
	954	3-677-193-00 o PIN, STOPPER			
	955	3-698-217-11 s BEARING (NO FLANGE), BALL	969	3-531-576-11 s RIVET	
	956	3-701-439-21 s WASHER, POLY 3mm DIA., 0.50T			

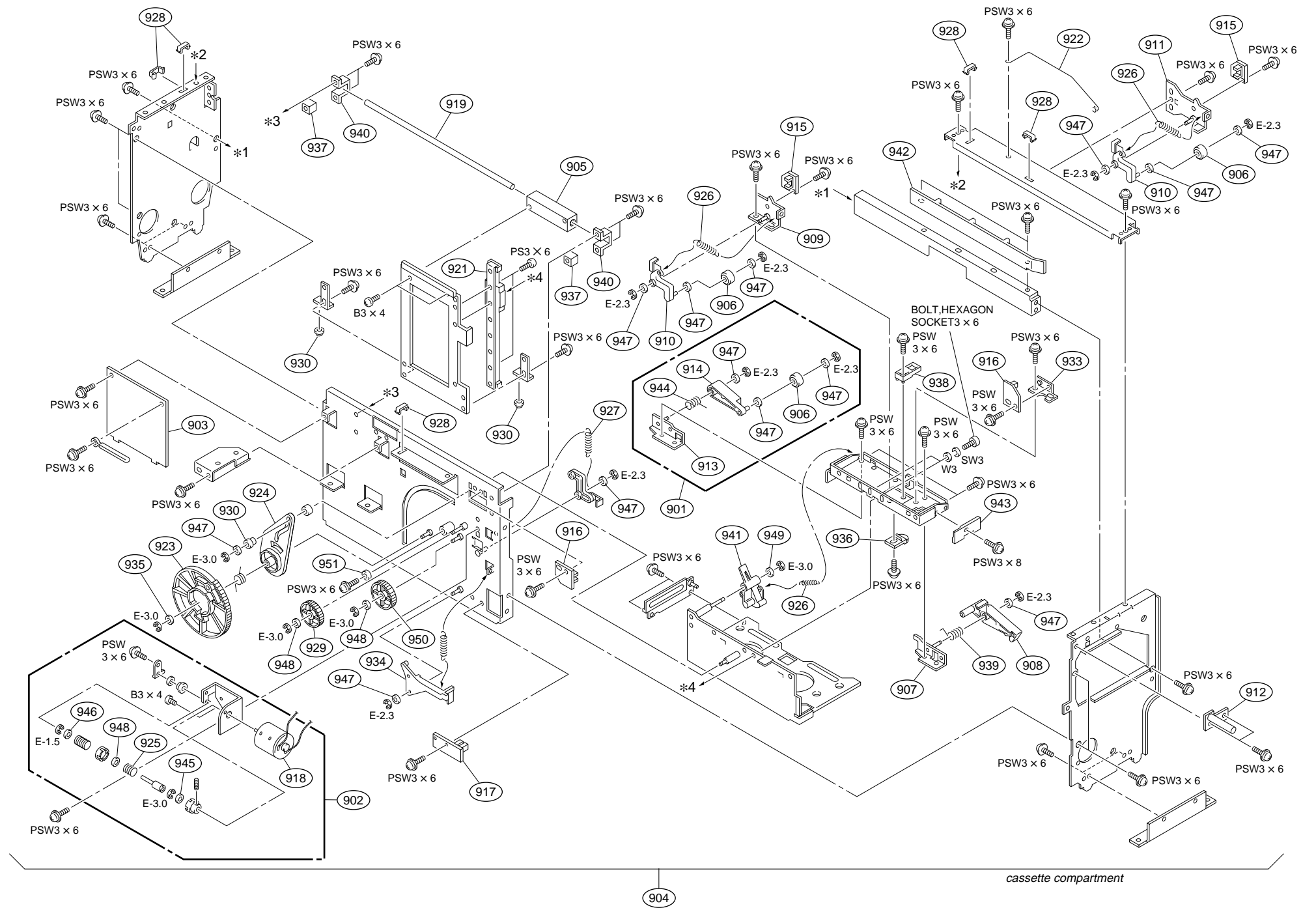
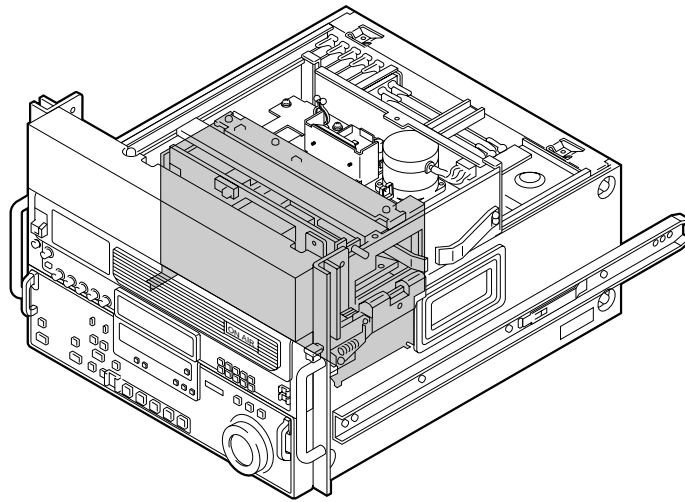


## For DVW-CA510P

No.	Part No.	SP Description
901	A-6751-278-A	o RETAINER (LEFT) ASSY, C
902	A-8267-900-A	s MOTOR ASSY
903	A-8276-813-A	o MOUNTED CIRCUIT BOARD, CL-28
904	A-8310-045-A	s CASSETTE COMPARTMENT ASSY
905	X-3167-319-1	s HOLDER ASSY, LB
906	X-3687-608-1	s ROLLER (A) ASSY
907	X-3688-001-1	o SUPPORT ASSY, C RETAINER
908	X-3688-002-3	s RETAINER (R) ASSY, CASSETTE
909	X-3688-003-1	o SUPPORT (1) ASSY, C SENSOR
910	X-3688-004-1	o ARM ASSY, C SENSOR
911	X-3688-008-1	o SUPPORT (2) ASSY, C SENSOR
912	X-3688-011-2	o HOLDER ASSY, PIN
913	X-3688-040-1	o SUPPORT (LEFT) ASSY, RETAINER
914	X-3688-041-1	o RETAINER (LEFT) ASSY, C
915	1-654-100-11	o PRINTED CIRCUIT BOARD, SE-237
916	1-650-567-11	o PRINTED CIRCUIT BOARD, SE-225
917	1-650-568-11	o PRINTED CIRCUIT BOARD, SE-226
918	1-698-152-11	s MOTOR, DC SVD-1449
919	3-183-295-01	o SHAFT, LINEAR
920	3-183-297-01	s SPRING LC LIMITER
921	3-183-310-01	o SLIDER, LINEAR
922	3-183-312-01	o GUIDE, HARNESS
923	3-183-315-03	o LC, DRIVING GEAR
924	3-183-322-03	s DRIVING ARM C
925	3-480-044-00	o SPRING, COMPRESSION
926	3-530-248-XX	o SPRING, TENSION (58T)
927	3-530-249-XX	s SPRING, TENSION (97T)
928	3-677-153-00	o HOLDER
929	3-677-165-03	s GEAR, MIDWAY
930	3-677-187-00	s ROLLER, GUIDE
933	3-688-007-01	o BRACKET, IN SWITCH
934	3-688-011-02	s ARM, DOWN (2)
935	3-688-024-01	o RETAINER, SPRING
936	3-688-036-01	s RETAINER (M), CASSETTE
937	3-688-043-01	o SUPPORT (H), SHAFT
938	3-688-044-01	o GUIDE, LEVER
939	3-688-045-01	s SPRING (RIGHT), TORSION
940	3-688-047-01	o RETAINER (H), SHAFT
941	3-688-054-01	s LEVER, DISCHARGE
942	3-688-058-01	o GUIDE, CASSETTE
943	3-688-136-01	o PLATE, GUIDE
944	3-688-183-01	s SPRING (LEFT), TORSION
945	3-701-437-11	s WASHER, POLY 2mm DIA., 0.25T
946	3-701-437-21	s WASHER, POLY 2mm DIA., 0.50T
947	3-701-439-21	s WASHER, POLY 3mm DIA., 0.50T
948	3-701-441-11	s WASHER, POLY 4mm DIA., 0.25T
949	3-701-441-21	s WASHER, POLY 4mm DIA., 0.50T
950	3-723-431-01	o GEAR, MIDWAY
951	4-890-173-00	s WASHER

For DVW-CA510P/CA510

Cassette Compartment Block

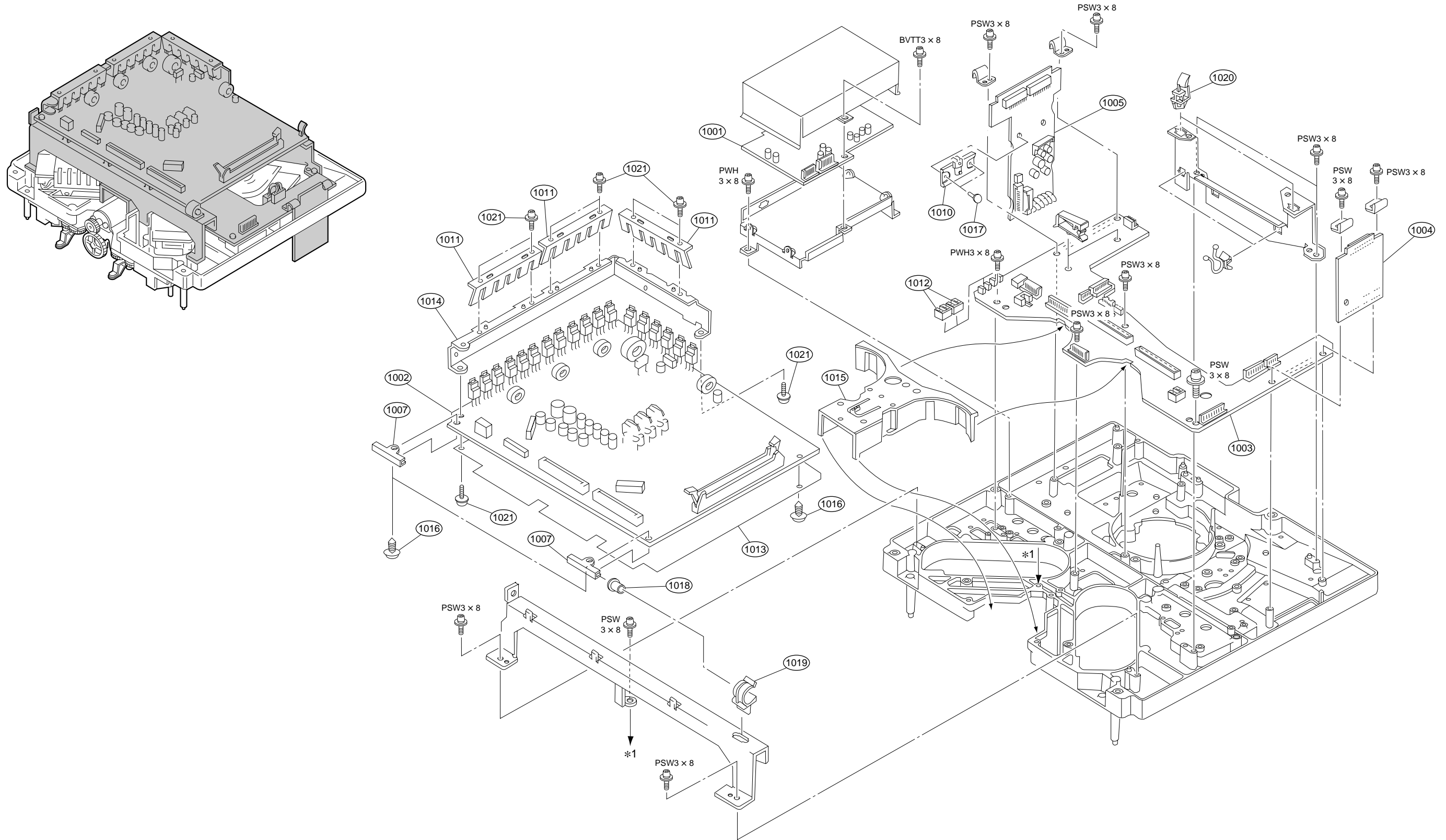


## For DVW-A500P/500P

No.	Part No.	SP Description
1001	A-8275-068-A	o MOUNTED CIRCUIT BOARD, DT-34P (for DVW-A500P/500P(EK))
	A-8275-166-A	o MOUNTED CIRCUIT BOARD, DT-34 (for DVW-A500P(UC))
	A-8275-266-A	o MOUNTED CIRCUIT BOARD, DT-34PG (for DVW-500P(UC))
1002	A-8322-330-B	o MOUNTED CIRCUIT BOARD, DR-307A (for S/N 21138 and higher: DVW-A500P(EK)) (for S/N 10309 and higher: DVW-A500P(UC))
	A-8322-331-B	o MOUNTED CIRCUIT BOARD, DR-307D (for S/N 16516 and higher: DVW-500P(EK)) (for S/N 10211 and higher: DVW-500P(UC))
	A-8275-069-B	o MOUNTED CIRCUIT BOARD, DR-200P (for S/N 10001 thru. 21137: DVW-A500P(EK)) (for S/N 10001 thru. 16515: DVW-500P(EK))
	A-8275-267-B	o MOUNTED CIRCUIT BOARD, DR-200PG (for S/N 10001 thru. 10308: DVW-A500P(UC)) (for S/N 10001 thru. 10210: DVW-500P(UC))
1003	A-8276-620-B	o MOUNTED CIRCUIT BOARD, HN-181
1004	A-8276-621-A	o MOUNTED CIRCUIT BOARD, HN-184
1005	A-8276-623-B	o MOUNTED CIRCUIT BOARD, HN-185
1007	3-180-760-01	o SUPPORT, DR
1010	3-180-819-02	o BRACKET, DEW SENSOR
1011	3-180-852-01	o BRACKET, TRANSISTOR
1012	3-180-854-03	o COVER, MR SENSOR
1013	3-180-873-07	o SHEET, INSULATING (DR) (for S/N 23263 and higher: DVW-A500P(EK)) (for S/N 10399 and higher: DVW-A500P(UC)) (for S/N 17276 and higher: DVW-500P(EK)) (for S/N 10241 and higher: DVW-500P(UC))
	3-180-873-06	o SHEET, INSULATING (DR) (for S/N 10001 thru. 23262: DVW-A500P(EK)) (for S/N 10001 thru. 10398: DVW-500P(EK)) (for S/N 10001 thru. 17275: DVW-A500P(UC)) (for S/N 10001 thru. 10240: DVW-500P(UC))
1014	3-180-886-02	o HEAT SINK (DR)
1015	3-181-651-01	o COVER (RS), HARNESS
1016	3-531-576-11	s RIVET
1017	3-531-576-21	s RIVET
1018	3-646-084-00	o CAP, REINFORCEMENT
1019	3-646-086-00	o HOLDER, ROD
1020	3-703-141-00	o HOLDER, PRINTED CIRCUIT BOARD
1021	3-703-249-01	s SCREWS, PTTWH 3x6

For DVW-A500P/500P  
For DVW-A500/500

Printed Circuit Board (Bottom Side) Block



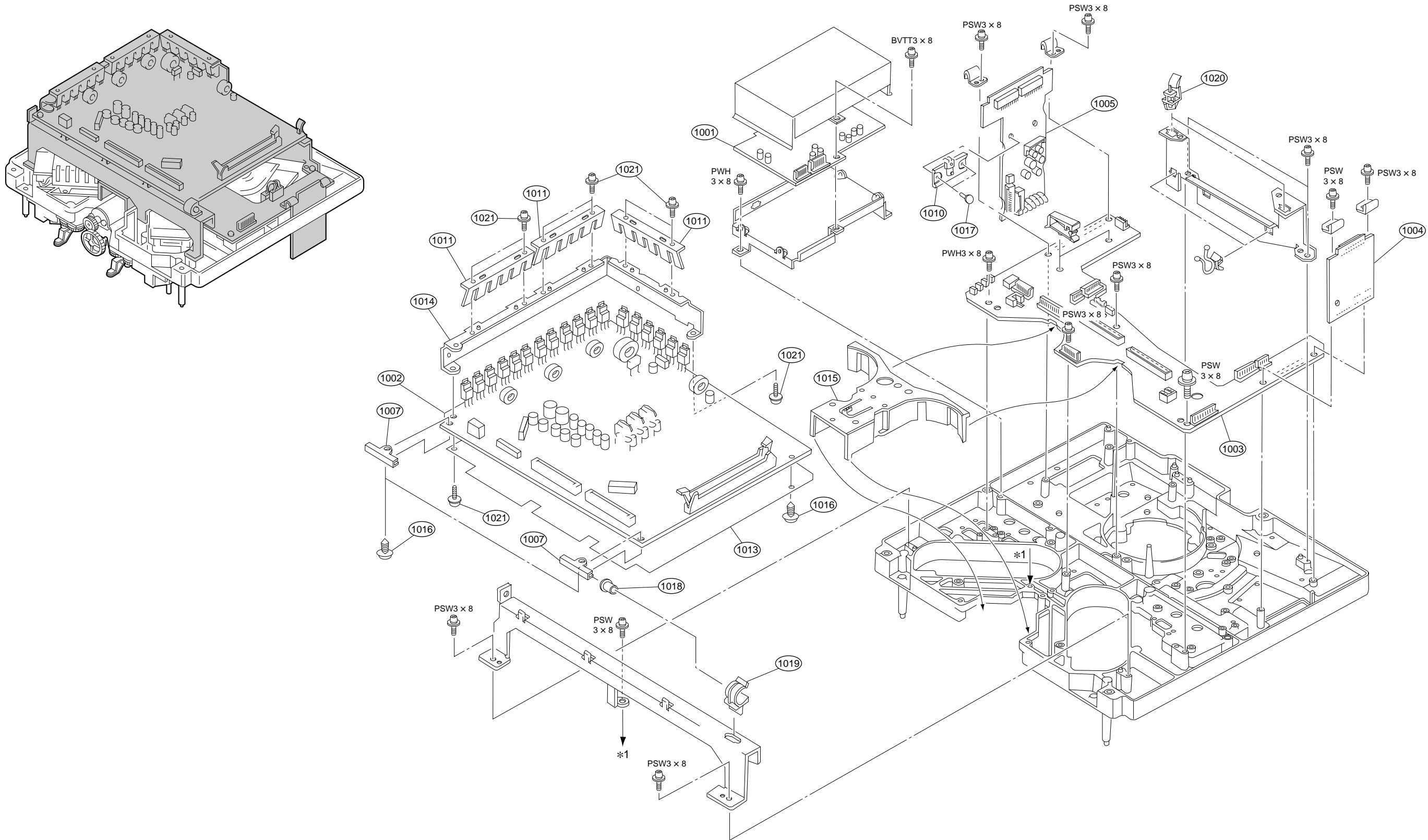
## For DVW-A510P/510P/CA510P

No.	Part No.	SP Description
1001	A-8275-398-A	o MOUNTED CIRCUIT BOARD, DT-34BP
1002	A-8322-330-B	o MOUNTED CIRCUIT BOARD, DR-307A (for S/N 14221 and higher: DVW-A510P(EK))
	A-8322-331-B	o MOUNTED CIRCUIT BOARD, DR-307D (for S/N 11355 and higher: DVW-510P(EK))
	A-8275-069-B	o MOUNTED CIRCUIT BOARD, DR-200P (for S/N 10001 thru. 14220: DVW-A510P(EK)) (for S/N 10001 thru. 11354: DVW-510P(EK)) (for S/N 10001 thru. 10075: DVW-CA510P(EK))
1003	A-8276-781-B	o MOUNTED CIRCUIT BOARD, HN-181B
1004	A-8276-621-A	o MOUNTED CIRCUIT BOARD, HN-184
1005	A-8276-623-B	o MOUNTED CIRCUIT BOARD, HN-185
1007	3-180-760-01	o SUPPORT, DR
1010	3-180-819-02	o BRACKET, DEW SENSOR
1011	3-180-852-01	o BRACKET, TRANSISTOR
1013	3-180-873-07	o SHEET, INSULATING (DR) (for S/N 14761 and higher: DVW-A510P(EK)) (for S/N 11470 and higher: DVW-510P(EK))
	3-180-873-06	o SHEET, INSULATING (DR) (for S/N 10001 thru. 14760: DVW-A510P(EK)) (for S/N 10001 thru. 11469: DVW-510P(EK)) (for S/N 10001 thru. 10075: DVW-CA510P(EK))
1014	3-180-886-02	o HEAT SINK (DR)
1015	3-181-651-01	o COVER (RS), HARNESS
1016	3-531-576-11	s RIVET
1017	3-531-576-21	s RIVET
1018	3-646-084-00	o CAP, REINFORCEMENT
1019	3-646-086-00	o HOLDER, ROD
1020	3-703-141-00	o HOLDER, PRINTED CIRCUIT BOARD
1021	3-703-249-01	s SCREW, PTTWH 3x6



For DVW-A510P/510P/CA510P  
For DVW-A510/510/CA510

Printed Circuit Board (Bottom Side) Block

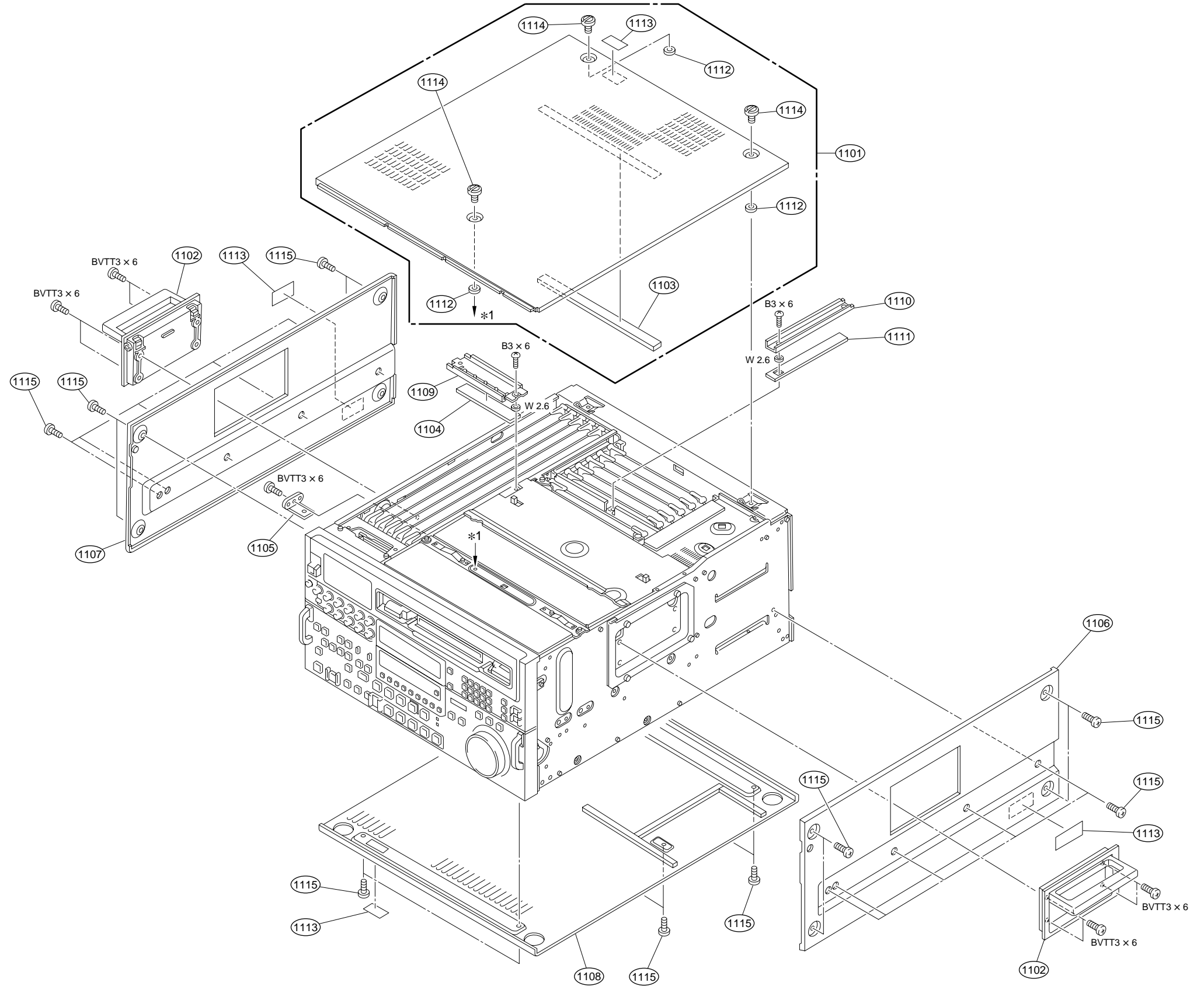
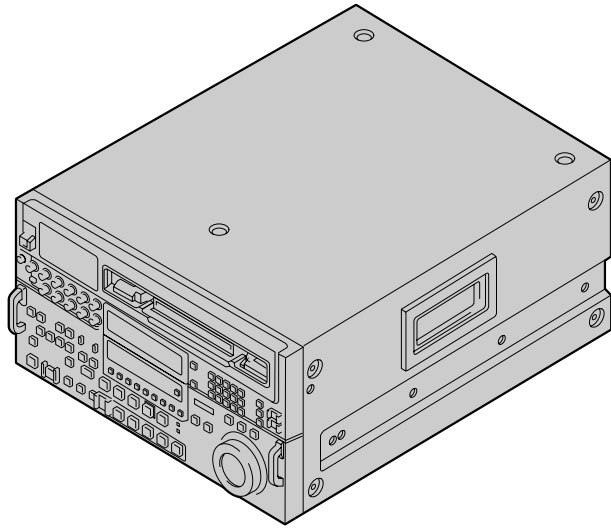


For DVW-A500P/500P/A510P/510P

No.	Part No.	SP Description
1101	A-8267-397-A	o LID ASSY, ASSY
1102	X-3642-018-3	o HANDLE ASSY
1103	3-171-369-01	o LID (A), UPPER, AIR GUARD
1104	3-171-410-01	o RETAINER (S), PC BOARD
1105	3-171-489-01	o BRACKET, PLATE, BOTTOM
1106	3-171-533-04	o CABINET (RIGHT)
1107	3-171-534-04	o CABINET (LEFT)
1108	X-3167-285-1	o PLATE ASSY, BOTTOM
1109	3-180-641-01	o PLATE (L), PC BOARD RETAINER
1110	3-180-642-01	o PLATE (S), PC BOARD RETAINER
1111	3-180-643-01	o CUSHION, PC BOARD RETAINER
1112	3-688-102-01	o SPACER, M4
1113	3-703-848-01	o LABEL (N), SUB CAUTION (for DVW-A500P/500P(UC))
1114	3-717-392-01	o SCREW, LID
1115	3-733-690-01	s +B 4X6 (CU,NI)

For DVW-A500P/500P/A510P/510P  
For DVW-A500/500/A510/510

Ornamental Panel Block

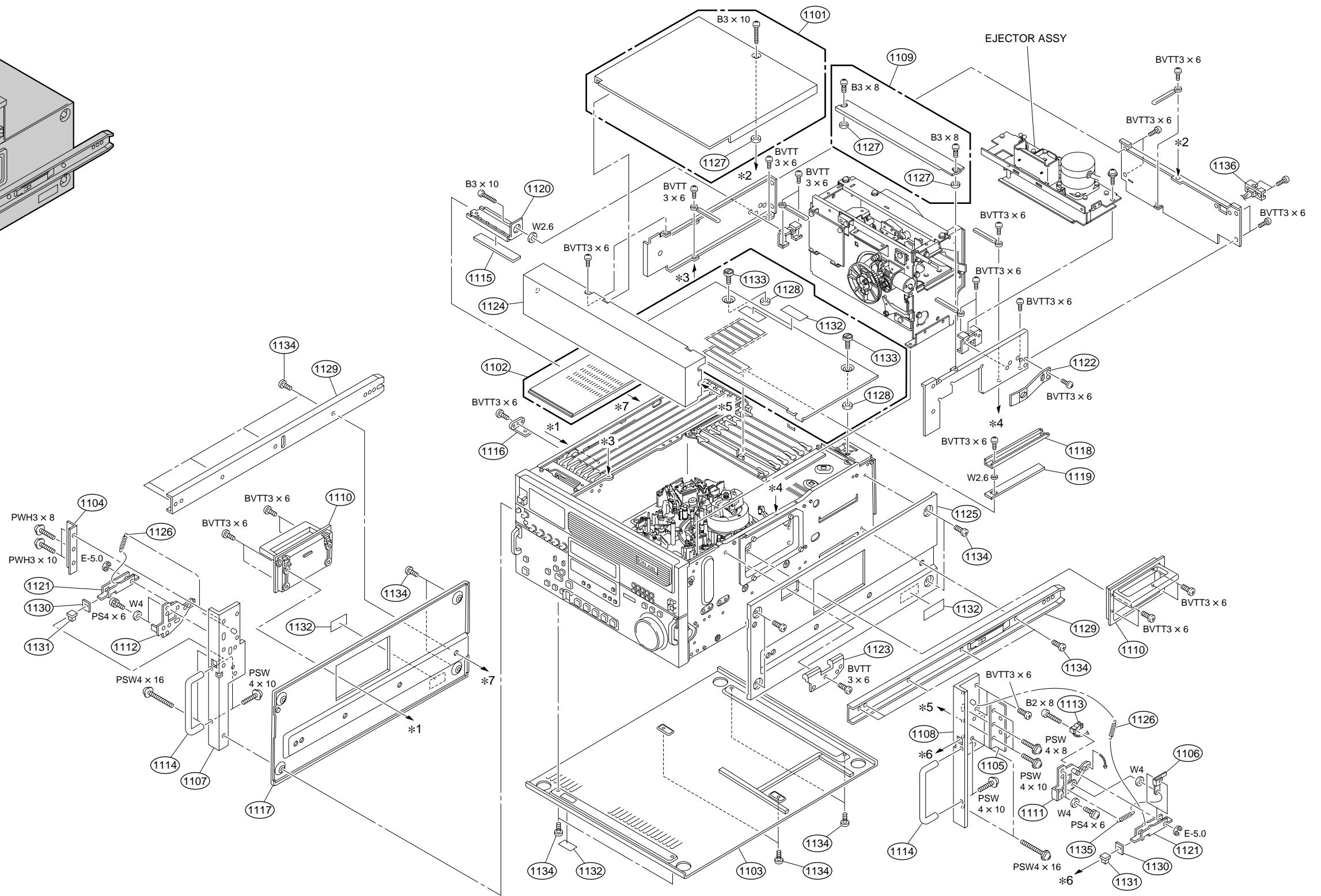
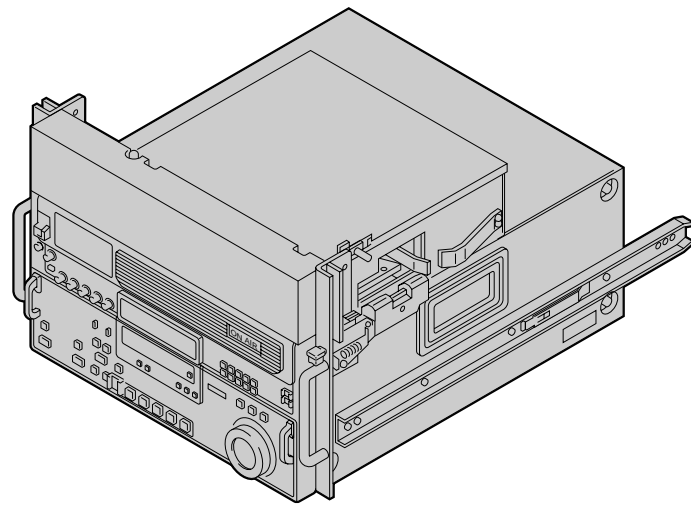


For DVW-CA510P

No.	Part No.	SP Description
1101	A-8267-904-A	o LID, UPPER (SMALL) ASSY
1102	A-8267-905-A	o LID, UPPER ASSY
1103	X-3167-285-1	o PLATE, BOTTOM ASSY
1104	X-3167-324-1	o RETAINER (L) ASSY, GUIDE
1105	X-3167-325-1	o RETAINER (R) ASSY, GUIDE
1106	X-3167-326-1	o LEVER ASSY, SW
1107	X-3167-327-1	o FLANGE (L) ASSY
1108	X-3167-328-1	o FLANGE (R) ASSY
1109	X-3167-331-1	s BRACKET ASSY
1110	X-3642-018-3	o HANDLE ASSY
1111	X-3688-023-1	o CHASSIS (RIGHT) ASSY, LEVER
1112	X-3688-025-1	o CHASSIS (LEFT) ASSY, LEVER
1113	1-553-661-00	s SWITCH, MICRO
1114	2-284-009-00	o HANDLE, (2)
1115	3-171-410-01	o RETAINER (S), PC BOARD
1116	3-171-489-01	o BRACKET, PLATE, BOTTOM
1117	3-171-534-04	o CABINET (LEFT)
1118	3-180-642-01	o PLATE (S), PC BOARD RETAINER
1119	3-180-643-01	o CUSHION, PC BOARD RETAINER
1120	3-183-293-02	o RETAINER (L), PC BOARD
1121	3-183-294-01	o LEVER, LOCK
1122	3-183-303-01	o STOPPER, VTR
1123	3-183-316-02	s COVER, G
1124	3-183-324-01	o PANEL, FRONT SUB
1125	3-183-325-01	o CABINET (RIGHT)
1126	3-558-378-00	s SPRING, TENSION
1127	3-668-413-00	o WASHER (M3), STOP
1128	3-688-102-01	o SPACER, M4
1129	3-688-104-01	o MEMBER, INNER
1130	3-688-122-01	o BLIND
1131	3-688-140-01	o CUSHION
1132	3-703-079-21	o LABEL (BACK), SUB CAUTION (for DVW-CA510P)
	3-703-848-01	o LABEL (N), SUB CAUTION (for DVW-CA510)
1133	3-717-392-01	o SCREW, LID
1134	3-733-690-01	s +B 4X6 (CU,NI)
1135	4-858-760-00	s SPRING, TENSION
1136	1-560-132-21	s HOUSING, 20P
	1-508-958-21	o CONTACT, MALE

For DVW-CA510P/CA510

Ornamental Panel Block

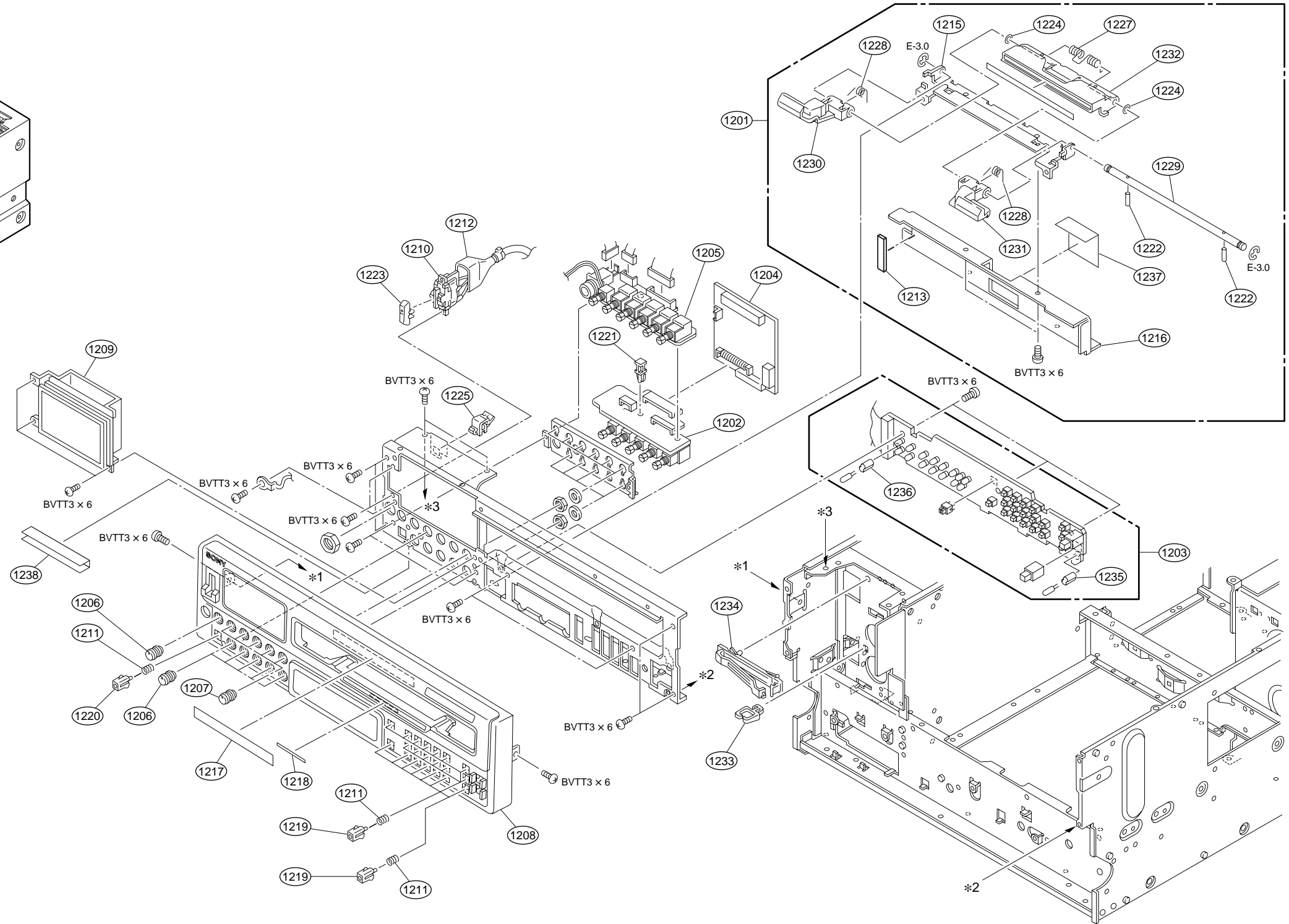
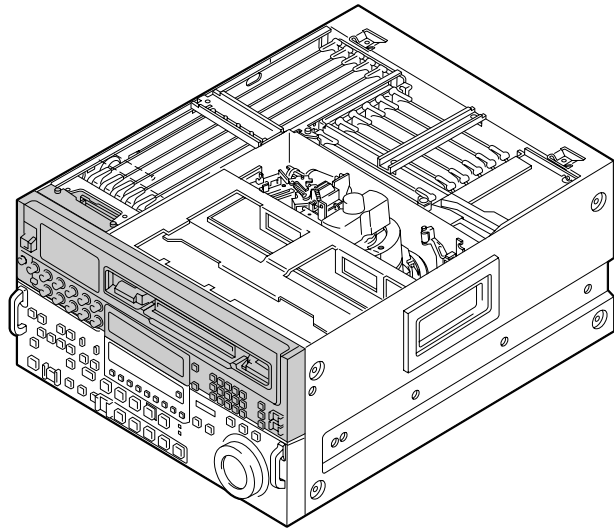


## For DVW-A500P/500P

No.	Part No.	SP Description
1201	A-8278-847-C	o GUIDE ASSY, SC
1202	A-8275-075-A	o MOUNTED CIRCUIT BOARD, VR-153
1203	A-8275-076-A	o MOUNTED CIRCUIT BOARD, SWC-17
1204	A-8275-077-B	o MOUNTED CIRCUIT BOARD, FP-58
1205	A-8275-078-A	o MOUNTED CIRCUIT BOARD, VR-152
1206	X-3167-825-1	o KNOB ASSY (P), VOL
1207	X-3167-824-1	o KNOB ASSY (R), VOL
1208	X-3167-129-9	o SUB ASSY, FRONT PANEL
1209	1-517-185-32	s INDICATOR MODULE, FLUORESCENT
1210	△ 1-762-953-11	s SWITCH, POWER
1211	3-611-769-01	s SPRING, COMPRESSION
1212	2-269-962-00	o COVER, SWITCH
1213	3-180-747-01	o GUARD (S), AIR
1215	3-608-272-02	o SUPPORT (A), SC GUIDE
1216	3-615-768-01	o SUPPORT (B), SC GUIDE
1217	3-180-812-01	o LABEL (for DVW-A500P)
	3-181-174-01	o LABEL (for DVW-500P)
1218	3-180-813-01	o LABEL, A/D (only DVW-A500P)
1219	3-180-822-05	s KEY TOP 6X6
1220	3-181-398-12	s KEY TOP 6X6
1221	3-682-057-21	s SPACER (SMALL)
1222	3-677-193-00	o PIN, STOPPER
1223	3-688-814-01	s CAP, SWITCH
1224	3-701-441-21	s WASHER, POLY 4mm DIA., 0.50T
1225	3-703-141-00	o HOLDER, PRINTED CIRCUIT BOARD
1227	3-717-615-01	o SPRING
1228	3-717-616-01	o SPRING
1229	3-717-617-01	o SHAFT, SC GUIDE
1230	3-717-618-01	o GUIDE (LEFT), SC
1231	3-717-619-02	o GUIDE (RIGHT), SC
1232	3-717-620-01	o PLATE, OUT, C-LOCK
1233	4-314-320-00	o HOLDER, WIRE
1234	4-874-187-01	o CLIP, CABLE
1235	4-937-336-11	s HOLDER, LED
1236	4-937-336-51	o HOLDER, LED
1237	3-615-779-01	o COVER (SC)
1238	3-701-818-00	o EDGING (016)

For DVW-A500P/500P  
For DVW-A500/500

Upper Control Panel Block



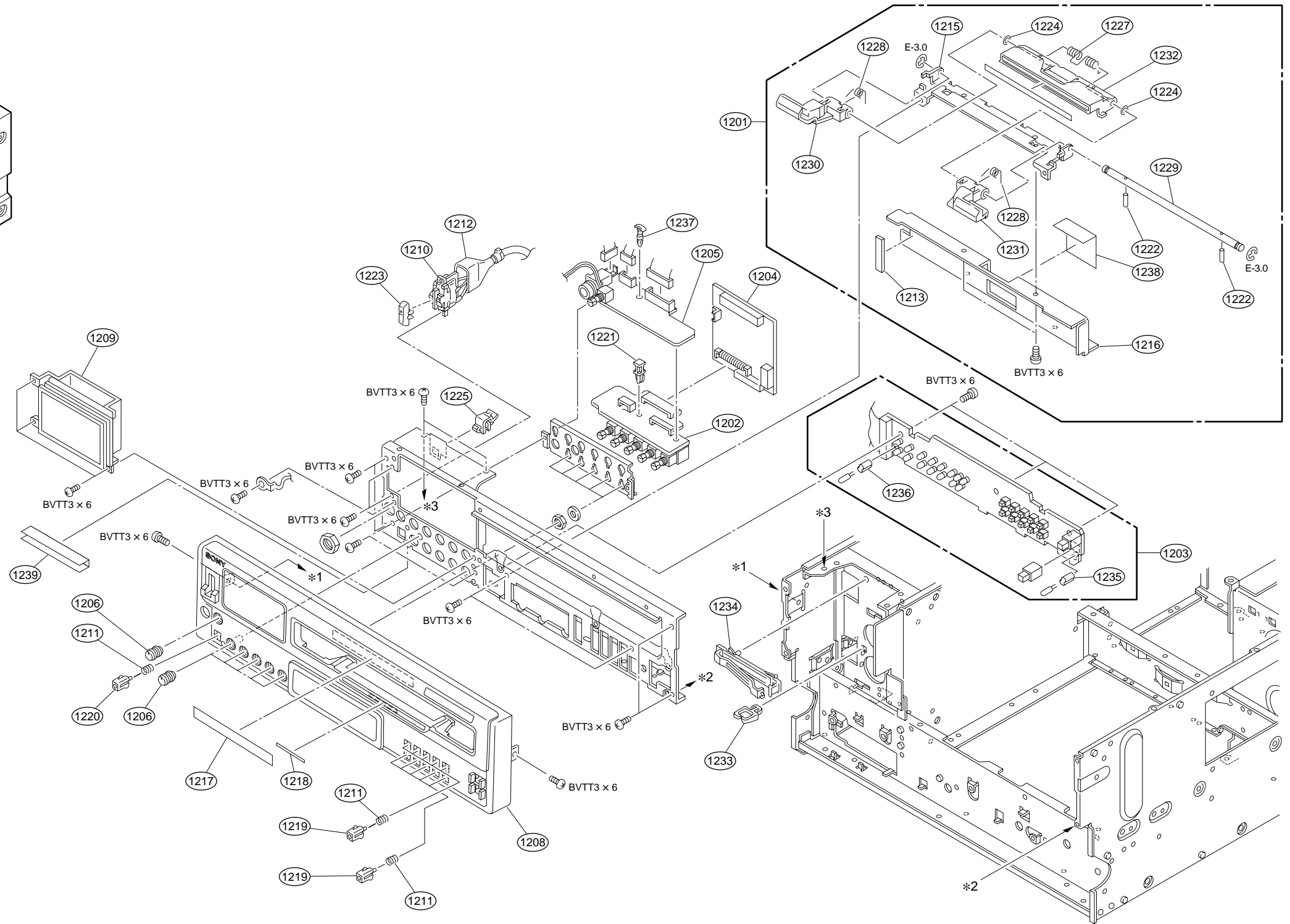
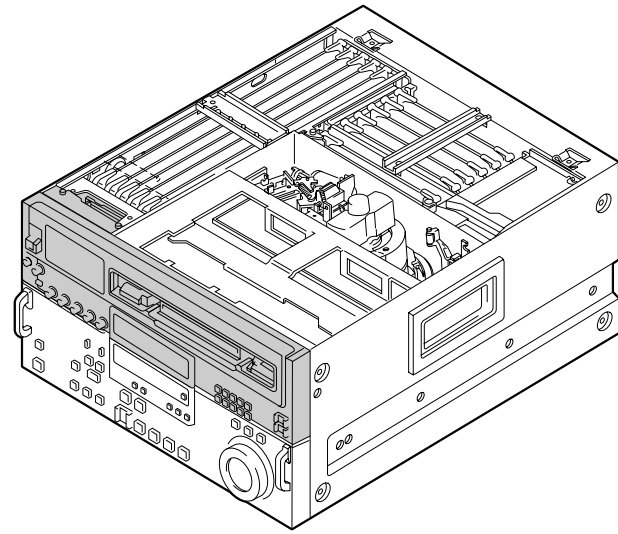
## For DVW-A510P/510P

No.	Part No.	SP Description
1201	A-8278-847-C	o GUIDE ASSY, SC
1202	A-8275-075-A	o MOUNTED CIRCUIT BOARD, VR-153
1203	A-8275-210-A	o MOUNTED CIRCUIT BOARD, SWC-17B
1204	A-8275-077-B	o MOUNTED CIRCUIT BOARD, FP-58
1205	A-8275-213-A	o MOUNTED CIRCUIT BOARD, VR-152B
1206	X-3167-825-1	o KNOB ASSY (P), VOL
1208	X-3167-167-7	o SUB ASSY, FRONT PANEL
1209	1-517-185-32	s INDICATOR MODULE, FLUORESCENT
1210	△ 1-762-953-11	s SWITCH, POWER
1211	3-611-769-01	s SPRING, COMPRESSION
1212	2-269-962-00	o COVER, SWITCH
1213	3-180-747-01	o GUARD (S), AIR
1215	3-608-272-02	o SUPPORT (A), SC GUIDE
1216	3-615-768-01	o SUPPORT (B), SC GUIDE
1217	3-183-111-01	o LABEL (for DVW-A510P)
	3-183-474-01	o LABEL (for DVW-510P)
1218	3-180-813-01	o LABEL, A/D (only DVW-A510P)
1219	3-180-822-05	s KEY TOP 6X6
1220	3-181-398-12	s KEY TOP 6X6
1221	3-682-057-21	s SPACER (SMALL)
1222	3-677-193-00	o PIN, STOPPER
1223	3-688-814-01	s CAP, SWITCH
1224	3-701-441-21	s WASHER, POLY 4mm DIA., 0.50T
1225	3-703-141-00	o HOLDER, PRINTED CIRCUIT BOARD
1227	3-717-615-01	o SPRING
1228	3-717-616-01	o SPRING
1229	3-717-617-01	o SHAFT, SC GUIDE
1230	3-717-618-01	o GUIDE (LEFT), SC
1231	3-717-619-02	o GUIDE (RIGHT), SC
1232	3-717-620-01	o PLATE, OUT, C-LOCK
1233	4-314-320-00	o HOLDER, WIRE
1234	4-874-187-01	o CLIP, CABLE
1235	4-937-336-11	s HOLDER, LED
1236	4-937-336-51	o HOLDER, LED
1237	3-704-198-01	o SUPPORT, PC
1238	3-615-779-01	o COVER (SC)
1239	3-701-818-00	o EDGING (016)



For DVW-A510P/510P  
For DVW-A510/510

Upper Control Panel Block

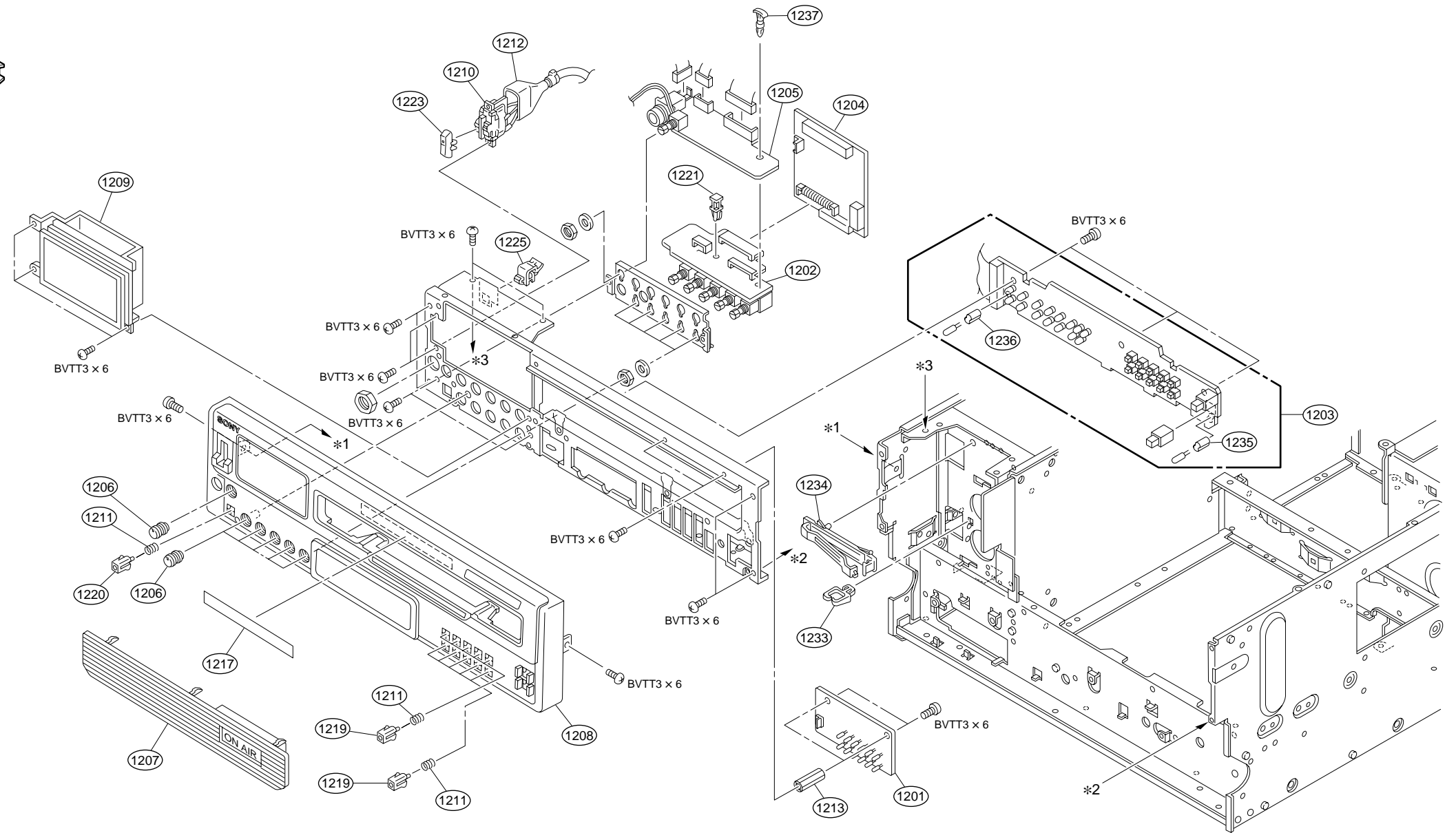
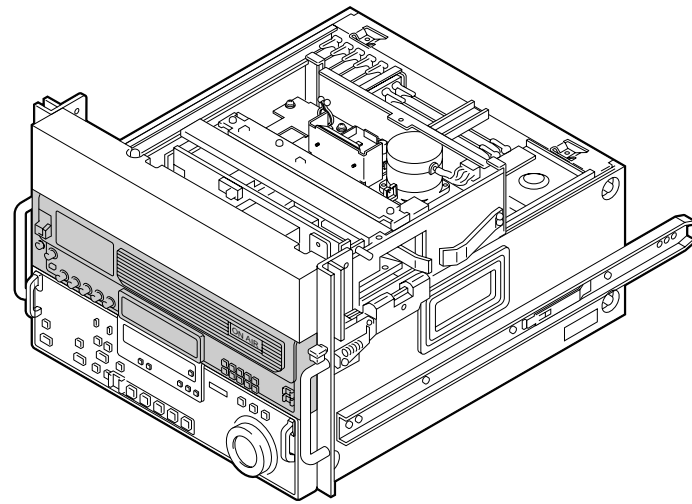


## For DVW-CA510P

No.	Part No.	SP Description
1201	A-8276-814-A	o MOUNTED CIRCUIT BOARD, LED-200
1202	A-8275-075-A	o MOUNTED CIRCUIT BOARD, VR-153
1203	A-8275-210-A	o MOUNTED CIRCUIT BOARD, SWC-17B
1204	A-8275-077-B	o MOUNTED CIRCUIT BOARD, FP-58
1205	A-8275-213-A	o MOUNTED CIRCUIT BOARD, VR-152B
1206	X-3165-983-3	o KNOB ASSY (WHITE), VOL
1207	X-3167-330-1	o PANEL ASSY, ON AIR
1208	X-3167-167-5	o SUB ASSY, FRONT PANEL
1209	1-517-185-32	s INDICATOR MODULE, FLUORESCENT
1210	△ 1-762-953-11	s SWITCH, POWER
1211	3-611-769-01	s SPRING, COMPRESSION
1212	2-269-962-00	o COVER, SWITCH
1213	2-280-622-51	o SUPPORT (M3), HEXAGON
1217	3-183-301-01	o LABEL (for DVW-CA510P)
	3-183-302-01	o LABEL (for DVW-CA510)
1219	3-180-822-05	s KEY TOP 6X6
1220	3-181-398-12	s KEY TOP 6X6
1221	3-682-057-21	s SPACER (SMALL)
1223	3-688-814-01	s CAP, SWITCH
1225	3-703-141-00	o HOLDER, PRINTED CIRCUIT BOARD
1233	4-314-320-00	o HOLDER, WIRE
1234	4-874-187-01	o CLIP, CABLE
1235	4-937-336-11	s HOLDER, LED
1236	4-937-336-51	o HOLDER, LED
1237	3-704-198-01	o SUPPORT, PC

For DVW-CA510P/CA510

Upper Control Panel Block

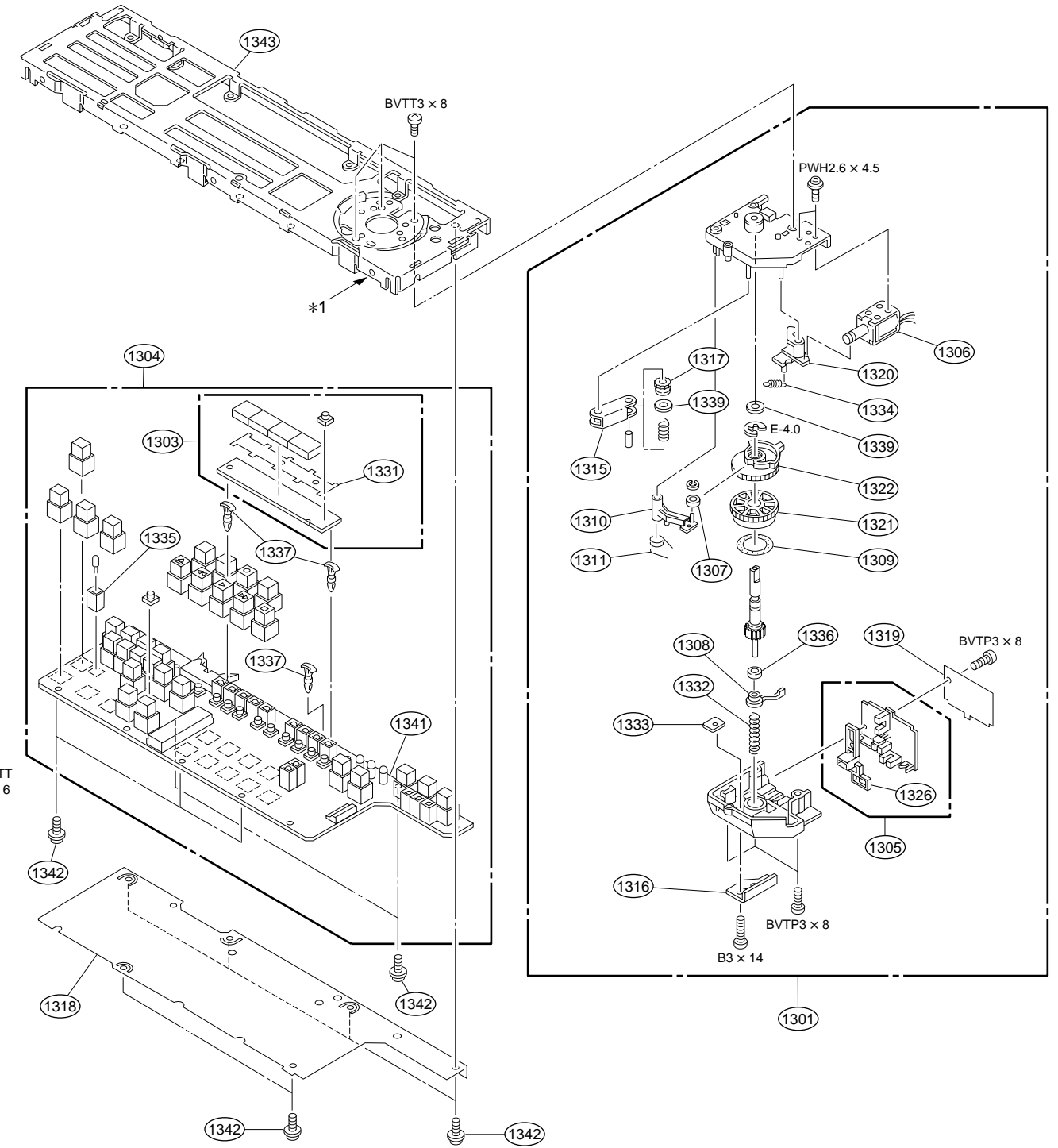
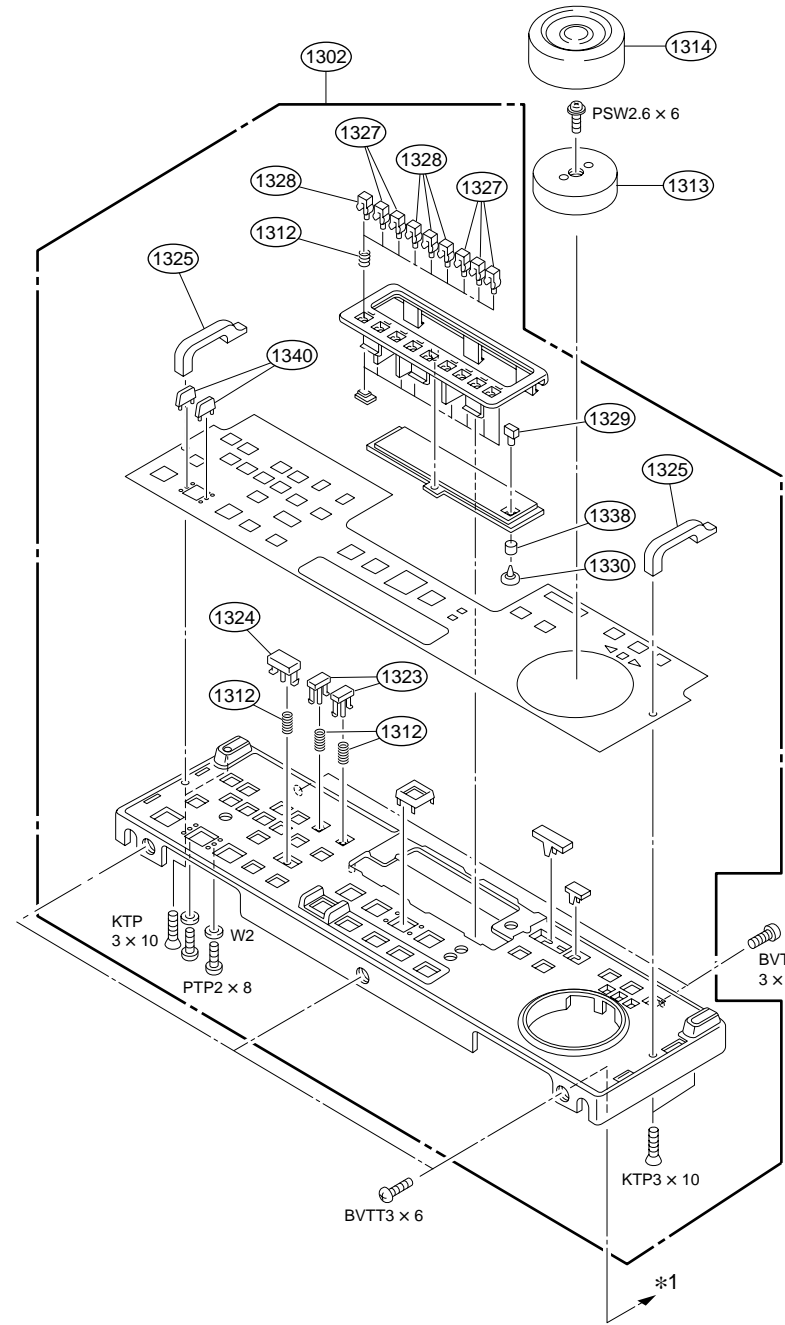
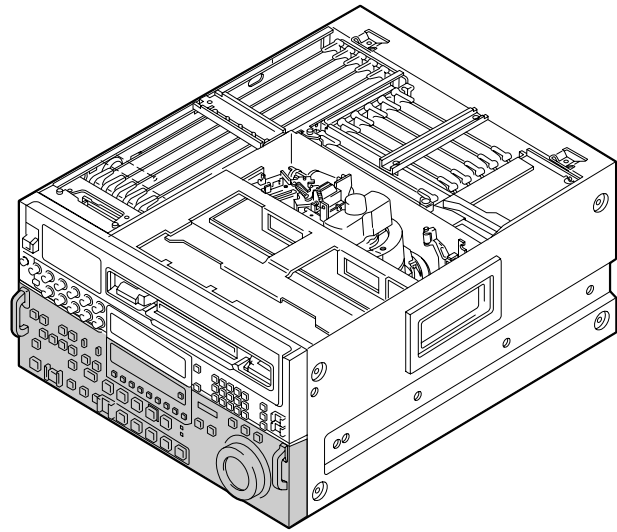


## DVW-A500P/500P

No.	Part No.	SP Description
1301	A-8267-410-G	s DIAL ASSY, SEARCH
1302	A-8267-542-C	o PANEL ASSY, KEY
1303	A-8274-058-A	o MOUNTED CIRCUIT BOARD, DP-176
1304	A-8275-067-A	o MOUNTED CIRCUIT BOARD, KY-231
1305	A-8276-585-B	o MOUNTED CIRCUIT BOARD, PTC-69
1306	1-454-606-11	s SOLENOID, PLUNGER
1307	2-124-691-01	s ROLLER
1308	2-124-693-02	s PLATE
1309	2-124-695-01	o PLATE, CUSHION
1310	2-143-603-01	o ARM, RETURN
1311	2-143-613-01	s SPRING, TORSION
1312	2-217-533-00	s SPRING, COMPRESSION
1313	3-180-632-02	o KNOB, DIAL
1314	3-180-633-03	s RUBBER, DIAL KNOB
1315	3-180-638-02	o ARM, JOINT GEAR
1316	3-180-639-01	o PLATE, MODE SELECTION
1317	3-180-640-02	o GEAR, JOINT
1318	3-180-644-02	o PROTECTOR, KY
1319	3-180-648-03	o PROTECTOR, PTC
1320	3-180-649-02	o LINK, SOLENOID
1321	3-180-650-03	s FG-RING
1322	3-180-651-04	o CAM, SD
1323	3-180-816-03	s KEY TOP, 5x9
1324	3-180-817-03	s KEY TOP, 9x16
1325	3-180-858-01	o HANDLE
1326	3-180-859-02	o HOLDER, SENSOR
1327	3-181-398-02	s KEY TOP 6x6 (WHITE)
1328	3-181-398-12	s KEY TOP 6x6 (GRAY)
1329	3-181-765-01	s KEY TOP 3x5
1330	3-181-766-01	s PIN, KEY TOP
1331	3-181-833-02	o SPACER
1332	3-181-956-01	o SPRING, COMPRESSION
1333	3-618-225-03	s NUT, PLATE
1334	3-645-189-11	s SPRING, TENSION
1335	3-668-124-00	o HOLDER, LED
1336	3-701-441-21	s WASHER, POLY 4mm DIA., 0.50T
1337	3-704-198-11	o SUPPORT, PC
1338	3-686-086-01	s CUSHION, BUTTON
1339	3-701-443-21	s WASHER, POLY 5mm DIA., 0.50T
1340	3-717-380-11	o GUARD, REC
1341	4-937-336-51	o HOLDER, LED
1342	3-703-249-01	s SCREW, PTTWH 3x6
1343	3-180-904-03	o CHASSIS, KEY PANEL

For DVW-A500P/500P  
For DVW-A500/500

Lower Control Panel Block



## For DVW-A510P/510P/CA510P

No.	Part No.	SP Description
1301	A-8267-410-G	s DIAL ASSY, SEARCH
1302	A-8267-577-B	o PANEL ASSY, KEY
1303	A-8274-058-A	o MOUNTED CIRCUIT BOARD, DP-176
1304	A-8275-209-A	o MOUNTED CIRCUIT BOARD, KY-231B
1305	A-8276-585-B	o MOUNTED CIRCUIT BOARD, PTC-69
1306	1-454-606-11	s SOLENOID, PLUNGER
1307	2-124-691-01	s ROLLER
1308	2-124-693-02	s PLATE
1309	2-124-695-01	o PLATE, CUSHION
1310	2-143-603-01	o ARM, RETURN
1311	2-143-613-01	s SPRING, TORSION
1312	2-217-533-00	s SPRING, COMPRESSION
1313	3-180-632-02	o KNOB, DIAL
1314	3-180-633-03	s RUBBER, DIAL KNOB
1315	3-180-638-02	o ARM, JOINT GEAR
1316	3-180-639-01	o PLATE, MODE SELECTION
1317	3-180-640-02	o GEAR, JOINT
1318	3-180-644-02	o PROTECTOR, KY
1319	3-180-648-03	o PROTECTOR, PTC
1320	3-180-649-02	o LINK, SOLENOID
1321	3-180-650-03	s FG-RING
1322	3-180-651-04	o CAM, SD
1323	3-180-816-03	s KEY TOP, 5x9
1324	3-180-817-03	s KEY TOP, 9x16
1325	3-180-858-01	o HANDLE
1326	3-180-859-02	o HOLDER, SENSOR
1327	3-181-398-02	s KEY TOP 6x6 (WHITE)
1328	3-181-398-12	s KEY TOP 6x6 (GRAY)
1329	3-181-765-01	s KEY TOP 3x5
1330	3-181-766-01	s PIN, KEY TOP
1331	3-181-833-02	o SPACER
1332	3-181-956-01	o SPRING, COMPRESSION
1333	3-618-225-03	s NUT, PLATE
1334	3-645-189-11	s SPRING, TENSION
1335	3-668-124-00	o HOLDER, LED
1336	3-701-441-21	s WASHER, POLY 4mm DIA., 0.50T
1337	3-704-198-11	o SUPPORT, PC
1338	3-686-086-01	s CUSHION, BUTTON
1339	3-701-443-21	s WASHER, POLY 5mm DIA., 0.50T
1341	4-937-336-51	o HOLDER, LED
1342	3-703-249-01	s SCREW, PTTWH 3x6
1343	3-180-904-03	o CHASSIS, KEY PANEL



## For DVW-A500P/500P

No.	Part No.	SP Description
1401	A-8275-071-A	o MOUNTED CIRCUIT BOARD, SWC-18A (for DVW-A500P)
	A-8275-157-A	o MOUNTED CIRCUIT BOARD, SWC-18 (for DVW-500P)
1402	A-8275-080-A	o MOUNTED CIRCUIT BOARD, SWC-19AP (for DVW-A500P)
	A-8275-159-A	o MOUNTED CIRCUIT BOARD, SWC-19P (for DVW-500P)
1403	X-3167-022-4	o CHASSIS ASSY, SUB
1404	X-3167-065-3	o SLIDER (R) ASSY
1405	X-3167-066-3	o SLIDER (L) ASSY
1406	X-3167-067-7	o PANEL ASSY (PAL), SUB (for DVW-A500P)
	X-3167-100-6	o PANEL ASSY (PAL), SUB (for DVW-500P)
1407	X-3717-253-1	o RAIL ASSY, SLIDE
1408	3-180-476-01	o PLATE, ORNAMENTAL ARP SWC-19 (for DVW-A500P)
	3-181-175-01	o PLATE, ORNAMENTAL DRP SWC-19 (for DVW-500P)
1409	3-180-814-01	o PLATE, ORNAMEN(SMALL), SLIDE SW
1410	3-717-393-03	o PLATE (LARGE), ORNAMENTAL, SW
1411	3-185-303-02	o SEAL, EJECT
1412	3-188-703-02	s CONNECTOR, PLATE, FIXED
1413	3-191-626-01	s PLATE(A), CONNECTOR FIXED





## For DVW-A510P/510P/CA510P

No.	Part No.	SP Description
1401	A-8275-341-A	o MOUNTED CIRCUIT BOARD, SWC-18BA (for DVW-A510P/CA510P)
	A-8275-211-A	o MOUNTED CIRCUIT BOARD, SWC-18B (for DVW-510P)
1402	A-8275-350-A	o MOUNTED CIRCUIT BOARD, SWC-19BAP (for DVW-A510P/CA510P)
	A-8275-351-A	o MOUNTED CIRCUIT BOARD, SWC-19BP (for DVW-510P)
1403	X-3167-022-4	o CHASSIS ASSY, SUB
1404	X-3167-065-3	o SLIDER (R) ASSY
1405	X-3167-066-3	o SLIDER (L) ASSY
1406	X-3167-298-5	o PANEL ASSY (PAL), SUB (for DVW-A510P/CA510P)
	X-3167-349-5	o PANEL ASSY (PAL), SUB (for DVW-510P)
1407	X-3717-253-1	o RAIL ASSY, SLIDE
1408	3-183-115-01	o PLATE, ORNAMENTAL APP SWC-19 (for DVW-A510P/CA510P)
	3-183-476-01	o PLATE, ORNAMENTAL DPP SWC-19 (for DVW-510P)
1409	3-180-814-01	o PLATE, ORNAMEN(SMALL), SLIDE SW
1410	3-717-393-03	o PLATE (LARGE), ORNAMENTAL, SW
1411	3-185-303-02	o SEAL, EJECT
1412	3-188-703-02	s CONNECTOR, PLATE, FIXED
1413	3-191-626-01	s PLATE(A), CONNECTOR FIXED

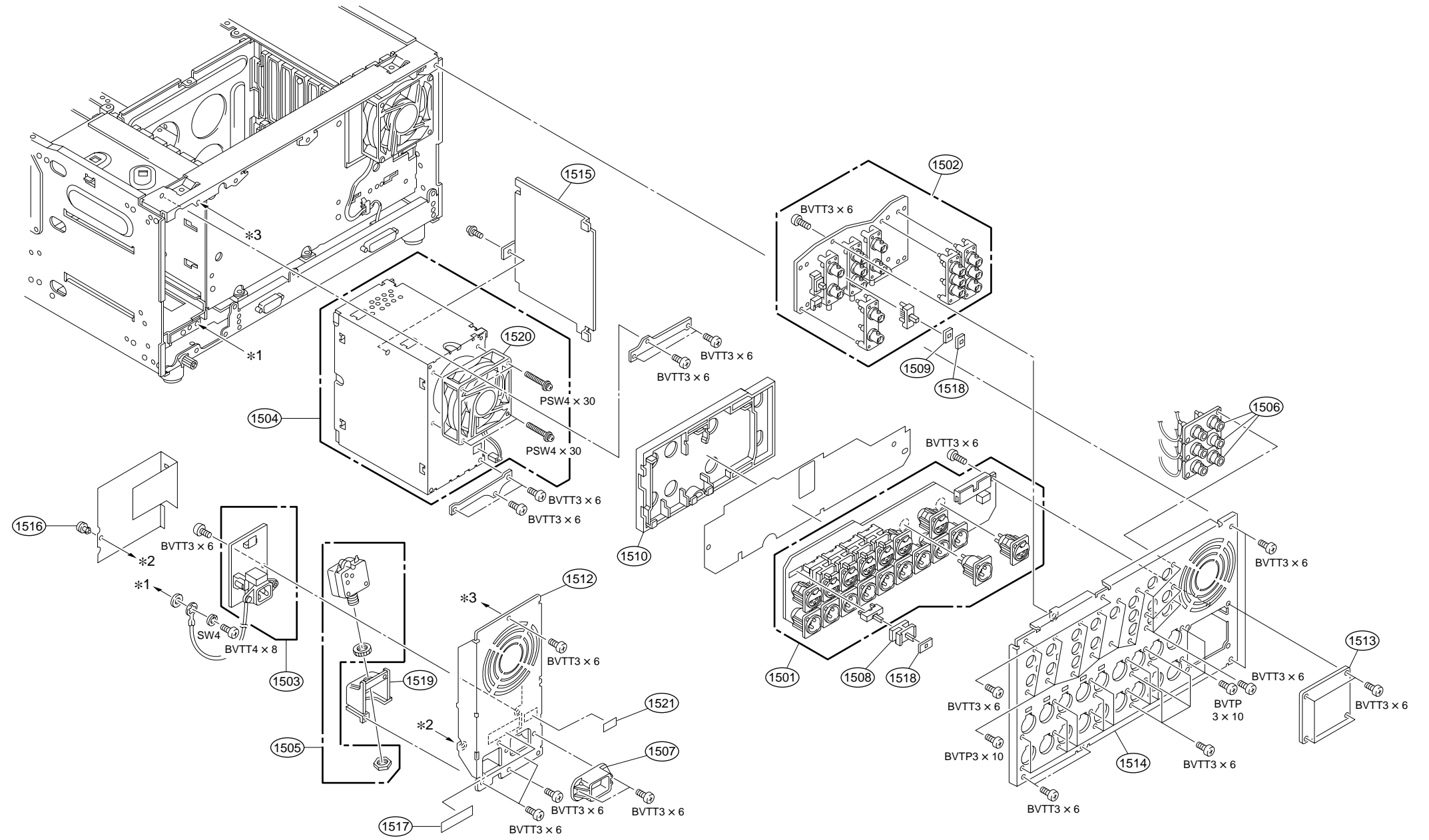
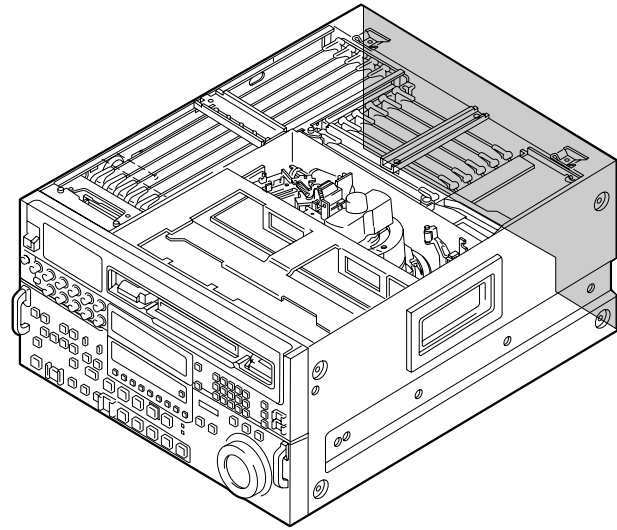


## For DVW-A500P/500P

No.	Part No.	SP Description
1501	A-8275-082-A	o MOUNTED CIRCUIT BOARD, CP-220
1502	A-8275-083-A	o MOUNTED CIRCUIT BOARD, CP-218
1503	A-8276-624-A	o MOUNTED CIRCUIT BOARD, AC-139
1504	△ 1-413-831-26	s SWITCHING REGULATOR
1505	△ 1-576-036-11	s BREAKER, CIRCUIT
1506	1-750-881-11	s CONVERTER, COAXIAL CONNECTOR
1507	2-990-241-02	s HOLDER (A), PLUG
1508	3-171-450-01	o ADAPTOR, SW
1509	3-173-384-01	o SPACER, ORNAMENTAL PLATE
1510	3-180-477-03	o COVER, HARNESS
1512	3-180-662-01	o PANEL, POWER
1513	3-180-675-01	o PANEL, OP
1514	3-180-885-02	o PANEL, (R) CONNECTOR
1515	3-181-886-03	o PLATE, SHIELD, POWER
1516	3-531-576-01	s RIVET
1518	3-717-394-03	o PLATE (SMALL), ORNAMENTAL, SW
1519	3-727-029-01	o BRACKET, BREAKER
1520	1-541-431-41	s FAN, DC
1521	3-703-845-01	o LABEL(N)(U/C), MAIN CAUTION (for DVW-A500P/500P(UC))

For DVW-A500P/500P  
For DVW-A500/500

Connector Panel Block

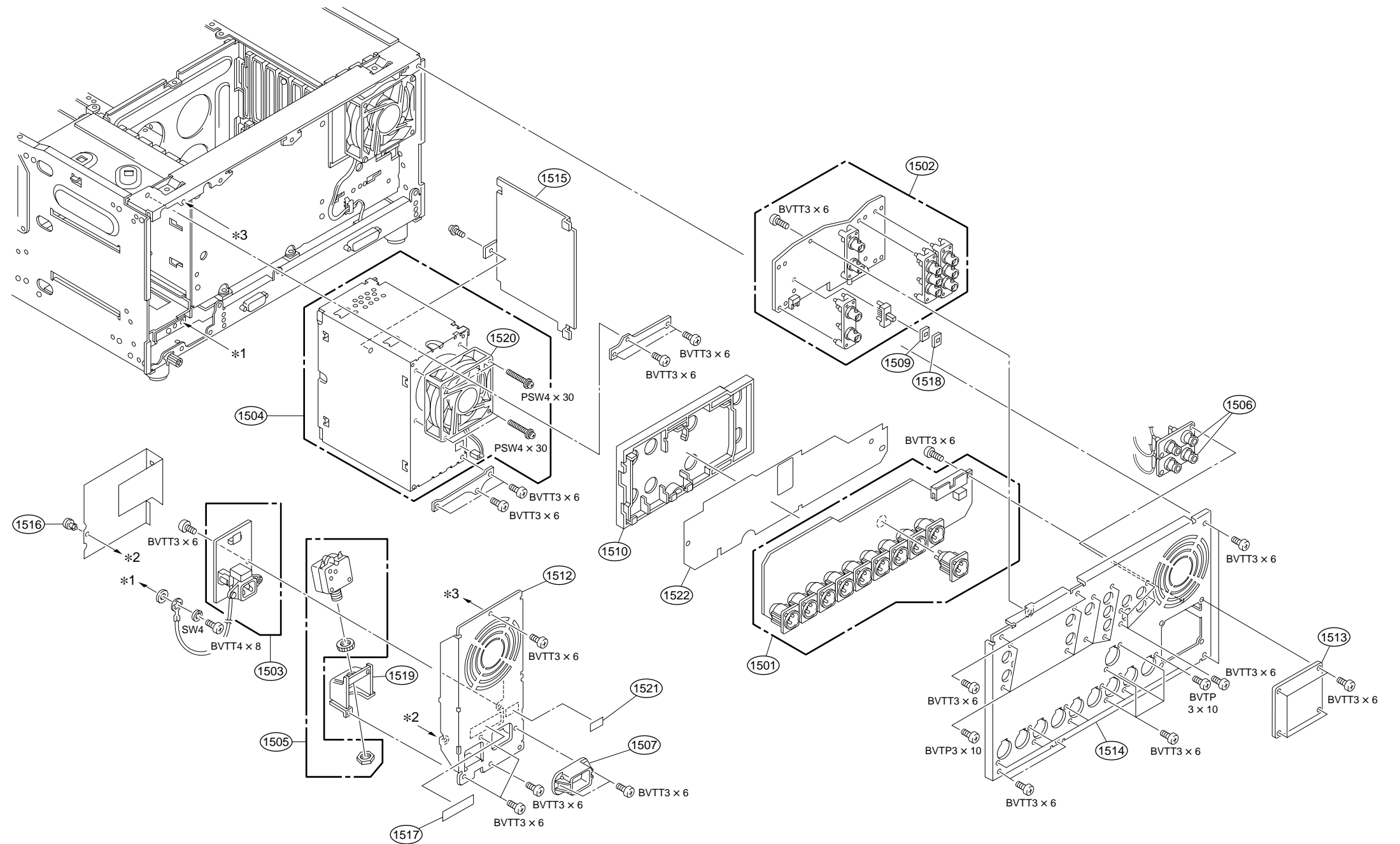
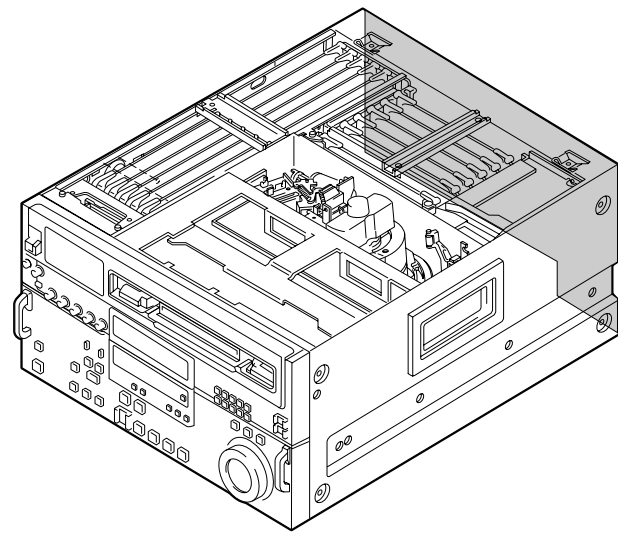


## For DVW-A510P/510P/CA510P

No.	Part No.	SP Description
1501	A-8275-207-A	o MOUNTED CIRCUIT BOARD, CP-220B
1502	A-8275-214-A	o MOUNTED CIRCUIT BOARD, CP-218B
1503	A-8276-624-A	o MOUNTED CIRCUIT BOARD, AC-139
1504	△ 1-413-831-26	s SWITCHING REGULATOR
1505	△ 1-576-036-11	s BREAKER, CIRCUIT
1506	1-750-881-11	s CONVERTER, COAXIAL CONNECTOR
1507	2-990-241-02	s HOLDER (A), PLUG
1509	3-173-384-01	o SPACER, ORNAMENTAL PLATE
1510	3-180-477-03	o COVER, HARNESS
1512	3-180-662-01	o PANEL, POWER
1513	3-180-675-01	o PANEL, OP
1514	3-181-084-02	o PANEL, (P) CONNECTOR
1515	3-181-886-03	o PLATE, SHIELD, POWER
1516	3-531-576-01	s RIVET
1518	3-717-394-03	o PLATE (SMALL), ORNAMENTAL, SW
1519	3-727-029-01	o BRACKET, BREAKER
1520	1-541-431-41	s FAN, DC
1522	3-184-425-02	o INSULATOR, CONNECTOR PANEL

For DVW-A510P/510P/CA510P  
For DVW-A510/510/CA510

Connector Panel Block



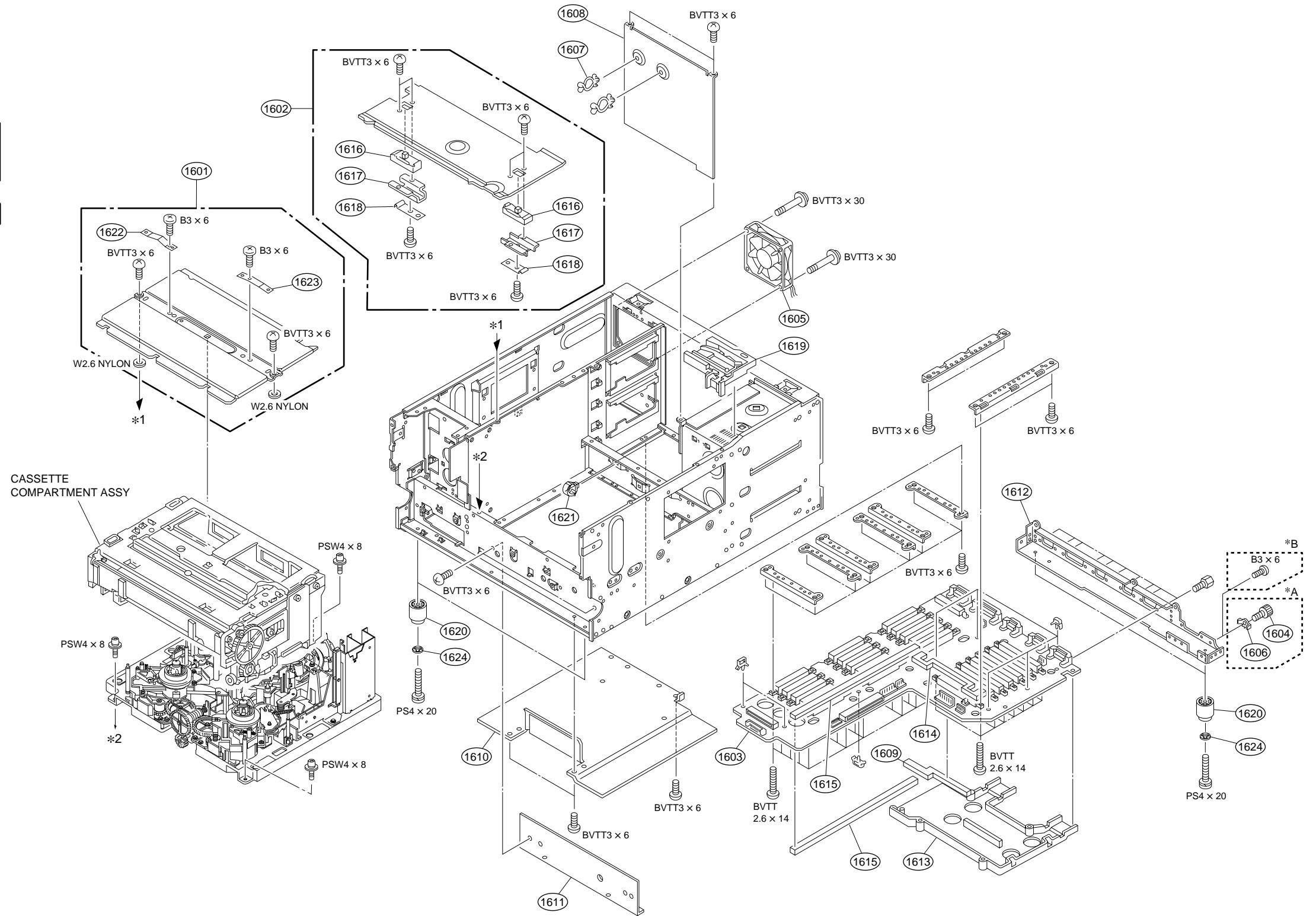
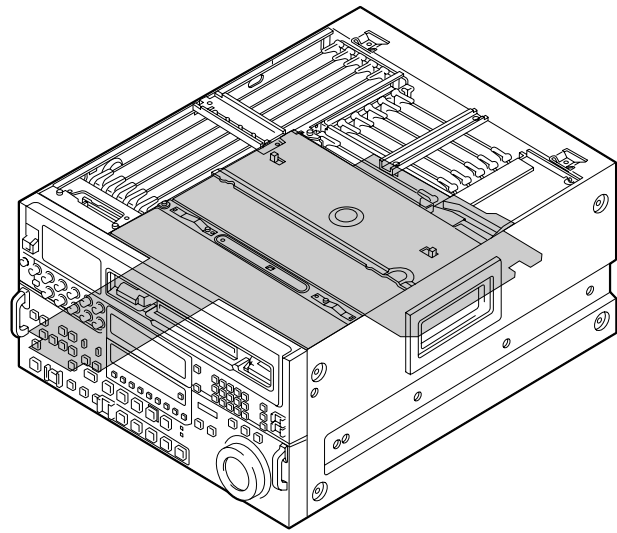
## For DVW-A500P/500P/A510P/510P

No.	Part No.	SP Description	
1601	A-8267-384-D	s BRACKET ASSY, CASSETTE COMPARTMENT	*A (for S/N 10001 thru. 22072: DVW-A500P(EK))
1602	A-8267-385-D	o PLATE (MD) ASSY	(for S/N 10001 thru. 10368: DVW-A500P(UC))
1603	A-8276-622-A	o MOUNTED CIRCUIT BOARD, MB-441A (for DVW-A500P/A510P)	(for S/N 10001 thru. 16795: DVW-500P(EK)) (for S/N 10001 thru. 10220: DVW-500P(UC))
	A-8276-657-A	o MOUNTED CIRCUIT BOARD, MB-441 (for DVW-500P/510P)	(for S/N 10001 thru. 14350: DVW-A510P(EK)) (for S/N 10001 thru. 11394: DVW-510P(EK))
*A 1604	X-2068-004-1	s TERMINAL ASSY	*B (for S/N 22073 and higher: DVW-A500P(EK))
1605	1-698-785-51	s FAN, DC(80 SQUARE)	(for S/N 10369 and higher: DVW-A500P(UC))
*A 1606	2-068-008-00	s WASHER	(for S/N 16796 and higher: DVW-500P(EK))
1607	2-132-434-01	s CLIP, WIRE	(for S/N 10221 and higher: DVW-500P(UC))
1608	3-180-479-03	o PLATE, MR	(for S/N 14351 and higher: DVW-A510P(EK)) (for S/N 11395 and higher: DVW-510P(EK))
1609	3-615-813-01	o SPACER (D)	
1610	3-180-635-04	o PLATE, BT	
1611	3-180-636-02	o PLATE, FT	
1612	3-180-654-02	o PANEL, D-SUB	
1613	3-180-655-01	o HARNESS (A), COVER	
1614	3-180-656-01	o GUARD (MB3), AIR	
1615	3-615-817-01	o SPACER (B)	
1616	3-180-751-01	o MD, SLIDER	
1617	3-180-752-01	o BRACKET, SLIDER	
1618	3-180-753-02	o MD, PLATE SPRING	
1619	3-181-652-03	o HOLDER, HARNESS	
1620	3-642-656-01	s FOOT	
1621	3-697-707-01	o CLAMP (A), HARNESS	
1622	3-717-306-01	o SPRING	
1623	3-182-786-01	o SPRING, CASSETTE COMPARTMENT	
1624	3-650-537-00	o WASHER	



For DVW-A500P/500P/A510P/510P  
For DVW-A500/500/A510/510

Chassis Block

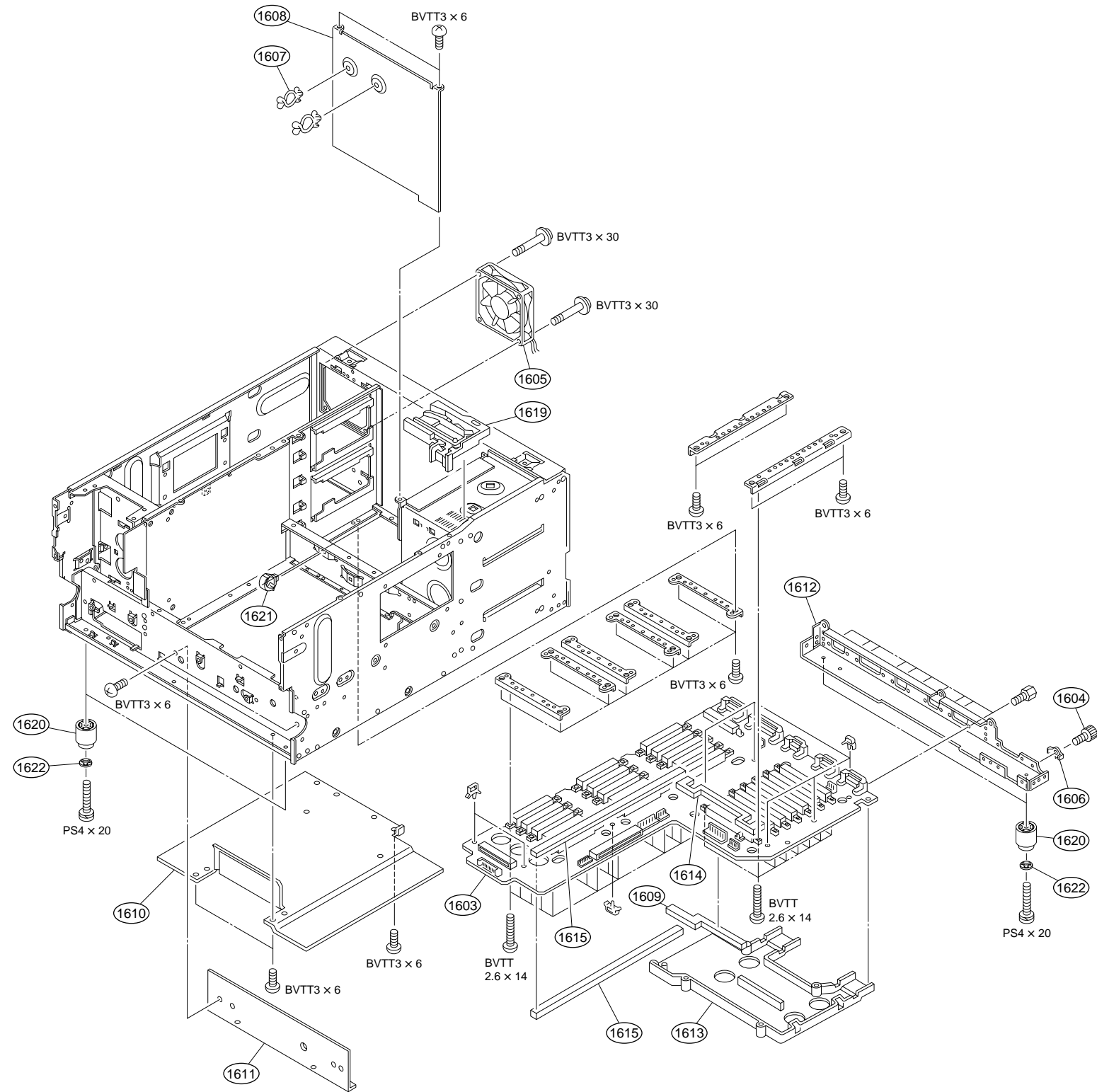
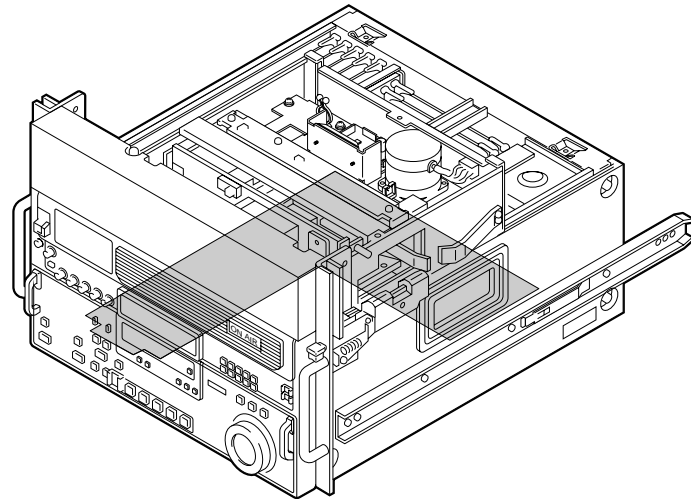


## For DVW-CA510P

No.	Part No.	SP Description
1603	A-8276-622-A	o MOUNTED CIRCUIT BOARD, MB-441A
1604	X-2068-004-1	s TERMINAL ASSY
1605	1-541-431-41	s FAN, DC
1606	2-068-008-00	s WASHER
1607	2-132-434-01	s CLIP, WIRE
1608	3-180-479-03	o PLATE, MR
1609	3-180-634-01	o GUARD (MB1), AIR
1610	3-180-635-04	o PLATE, BT
1611	3-180-636-02	o PLATE, FT
1612	3-180-654-02	o PANEL, D-SUB
1613	3-180-655-01	o HARNESS (A), COVER
1614	3-180-656-01	o GUARD (MB3), AIR
1615	3-180-657-01	o GUARD (MB2), AIR
1619	3-181-652-03	o HOLDER, HARNESS
1620	3-642-656-01	s FOOT
1621	3-697-707-01	o CLAMP (A), HARNESS
1622	3-650-537-00	o WASHER

For DVW-CA510P/CA510

Chassis Block



## For DVW-A500P (EK)

No.	Part No.	SP Description
1701	A-8275-268-C	o MOUNTED CIRCUIT BOARD, VPR-1APG
1702	A-8275-144-B	o MOUNTED CIRCUIT BOARD, APR-1 (for S/N 20808 and higher:DVW-A500P(EK))
	A-8275-072-A	o MOUNTED CIRCUIT BOARD, APR-1P (for S/N 10001 thru. 20807:DVW-A500P(EK))
1703	A-8275-073-A	o MOUNTED CIRCUIT BOARD, SS-52AP
1704	A-8275-139-B	o MOUNTED CIRCUIT BOARD, DIF-16
1705	A-8275-079-B	o MOUNTED CIRCUIT BOARD, TBC-23P
1706	A-8275-081-A	o MOUNTED CIRCUIT BOARD, CUE-1AP
1707	A-8275-148-B	o MOUNTED CIRCUIT BOARD, EQ-45A
1708	A-8275-085-B	o MOUNTED CIRCUIT BOARD, DPR-36P
1709	A-8275-086-A	o MOUNTED CIRCUIT BOARD, AP-28P
1710	A-8275-087-A	o MOUNTED CIRCUIT BOARD, TBC-24P
1711	A-8275-088-B	o MOUNTED CIRCUIT BOARD, DM-89P
1712	3-171-453-03	o PLATE (L), SHIELD, CARD
1713	3-171-454-02	o SHEET (L), CARD
1714	3-171-455-01	o PLATE (S), SHIELD, CARD
1715	3-171-456-02	o SHEET (S), CARD
1716	3-179-084-01	s LEVER (R), PC BOARD
1717	3-179-085-01	s LEVER (L), PC BOARD
1718	3-180-646-02	o GUIDE (L), PRINTED CIRCUIT BOARD
1719	3-180-674-01	o GUIDE (S), PRINTED CIRCUIT BOARD
1720	3-696-787-03	o SHEET (S), CARD

## For DVW-A500P (UC)

No.	Part No.	SP Description
1701	A-8275-268-C	o MOUNTED CIRCUIT BOARD, VPR-1APG
1702	A-8275-144-B	o MOUNTED CIRCUIT BOARD, APR-1 (for S/N 10309 and higher:DVW-A500P(UC))
	A-8275-269-A	o MOUNTED CIRCUIT BOARD, APR-1PG (for S/N 10001 thru. 10308:DVW-A500P(UC))
1703	A-8275-073-A	o MOUNTED CIRCUIT BOARD, SS-52AP
1704	A-8275-139-B	o MOUNTED CIRCUIT BOARD, DIF-16P
1705	A-8275-271-B	o MOUNTED CIRCUIT BOARD, TBC-23PG
1706	A-8275-272-A	o MOUNTED CIRCUIT BOARD, CUE-1APG
1707	A-8275-148-B	o MOUNTED CIRCUIT BOARD, EQ-45A
1708	A-8275-274-B	o MOUNTED CIRCUIT BOARD, DPR-36PG
1709	A-8275-086-A	o MOUNTED CIRCUIT BOARD, AP-28P
1710	A-8275-087-A	o MOUNTED CIRCUIT BOARD, TBC-24P
1711	A-8275-088-B	o MOUNTED CIRCUIT BOARD, DM-89P
1712	3-171-453-03	o PLATE (L), SHIELD, CARD
1713	3-171-454-02	o SHEET (L), CARD
1714	3-171-455-01	o PLATE (S), SHIELD, CARD
1715	3-171-456-02	o SHEET (S), CARD
1716	3-179-084-01	s LEVER (R), PC BOARD
1717	3-179-085-01	s LEVER (L), PC BOARD
1718	3-180-646-02	o GUIDE (L), PRINTED CIRCUIT BOARD
1719	3-180-674-01	o GUIDE (S), PRINTED CIRCUIT BOARD
1720	3-696-787-03	o SHEET (S), CARD

## For DVW-500P (EK)

No.	Part No.	SP Description
1701	A-8275-268-C	o MOUNTED CIRCUIT BOARD, VPR-1APG
1702	A-8275-144-B	o MOUNTED CIRCUIT BOARD, APR-1 (for S/N 16301 and higher:DVW-500P(EK))
	A-8275-072-A	o MOUNTED CIRCUIT BOARD, APR-1P (for S/N 10001 thru. 16300:DVW-500P(EK))
1703	A-8275-146-A	o MOUNTED CIRCUIT BOARD, SS-52P
1704	A-8275-139-B	o MOUNTED CIRCUIT BOARD, DIF-16
1706	A-8275-152-A	o MOUNTED CIRCUIT BOARD, CUE-1P
1707	A-8275-148-B	o MOUNTED CIRCUIT BOARD, EQ-45A
1708	A-8275-085-B	o MOUNTED CIRCUIT BOARD, DPR-36P
1712	3-171-453-03	o PLATE (L), SHIELD, CARD
1713	3-171-454-02	o SHEET (L), CARD
1714	3-171-455-01	o PLATE (S), SHIELD, CARD
1715	3-171-456-02	o SHEET (S), CARD
1716	3-179-084-01	s LEVER (R), PC BOARD
1717	3-179-085-01	s LEVER (L), PC BOARD
1718	3-180-646-02	o GUIDE (L), PRINTED CIRCUIT BOARD
1719	3-180-674-01	o GUIDE (S), PRINTED CIRCUIT BOARD
1720	3-696-787-03	o SHEET (S), CARD

## For DVW-500P (UC)

No.	Part No.	SP Description
1701	A-8310-268-C	o MOUNTED CIRCUIT BOARD, VPR-1APG
1702	A-8275-144-B	o MOUNTED CIRCUIT BOARD, APR-1 (for S/N 10211 and higher:DVW-500P(UC))
	A-8275-269-A	o MOUNTED CIRCUIT BOARD, APR-1PG (for S/N 10001 thru. 10210:DVW-500P(UC))
1703	A-8275-146-A	o MOUNTED CIRCUIT BOARD, SS-52P
1704	A-8275-139-B	o MOUNTED CIRCUIT BOARD, DIF-16P
1706	A-8310-427-A	o MOUNTED CIRCUIT BOARD, CUE-1PG
1707	A-8275-148-B	o MOUNTED CIRCUIT BOARD, EQ-45A
1708	A-8275-274-B	o MOUNTED CIRCUIT BOARD, DPR-36PG
1712	3-171-453-03	o PLATE (L), SHIELD, CARD
1713	3-171-454-02	o SHEET (L), CARD
1714	3-171-455-01	o PLATE (S), SHIELD, CARD
1715	3-171-456-02	o SHEET (S), CARD
1716	3-179-084-01	s LEVER (R), PC BOARD
1717	3-179-085-01	s LEVER (L), PC BOARD
1718	3-180-646-02	o GUIDE (L), PRINTED CIRCUIT BOARD
1719	3-180-674-01	o GUIDE (S), PRINTED CIRCUIT BOARD
1720	3-696-787-03	o SHEET (S), CARD

## For DVW-A510P/CA510P

No.	Part No.	SP Description
1701	A-8275-337-C	o MOUNTED CIRCUIT BOARD, VPR-1BAP
1702	A-8275-393-B	o MOUNTED CIRCUIT BOARD, APR-1BA (for S/N 14076 and higher:DVW-A510P(EK)) (for S/N 10076 and higher:DVW-CA510P(EK))
	A-8275-392-A	o MOUNTED CIRCUIT BOARD, APR-1BAP (for S/N 10001 thru. 14075:DVW-A510P(EK)) (for S/N 10001 thru. 10075:DVW-CA510P(EK))
1703	A-8275-344-A	o MOUNTED CIRCUIT BOARD, SS-52BAP
1704	A-8275-349-B	o MOUNTED CIRCUIT BOARD, DIF-16B
1705	A-8275-079-B	o MOUNTED CIRCUIT BOARD, TBC-23P
1706	A-8275-353-A	o MOUNTED CIRCUIT BOARD, CUE-1BAP
1707	A-8275-359-B	o MOUNTED CIRCUIT BOARD, EQ-45BA
1708	A-8275-361-B	o MOUNTED CIRCUIT BOARD, DPR-36HP
1709	A-8275-086-A	o MOUNTED CIRCUIT BOARD, AP-28P
1710	A-8275-087-A	o MOUNTED CIRCUIT BOARD, TBC-24P
1711	A-8275-088-B	o MOUNTED CIRCUIT BOARD, DM-89P
1712	3-171-453-03	o PLATE (L), SHIELD, CARD
1713	3-171-454-02	o SHEET (L), CARD
1714	3-171-455-01	o PLATE (S), SHIELD, CARD
1715	3-171-456-02	o SHEET (S), CARD
1716	3-179-084-01	s LEVER (R), PC BOARD
1717	3-179-085-01	s LEVER (L), PC BOARD
1718	3-180-646-02	o GUIDE (L), PRINTED CIRCUIT BOARD
1719	3-180-674-01	o GUIDE (S), PRINTED CIRCUIT BOARD
1720	3-696-787-03	o SHEET (S), CARD

## For DVW-510P

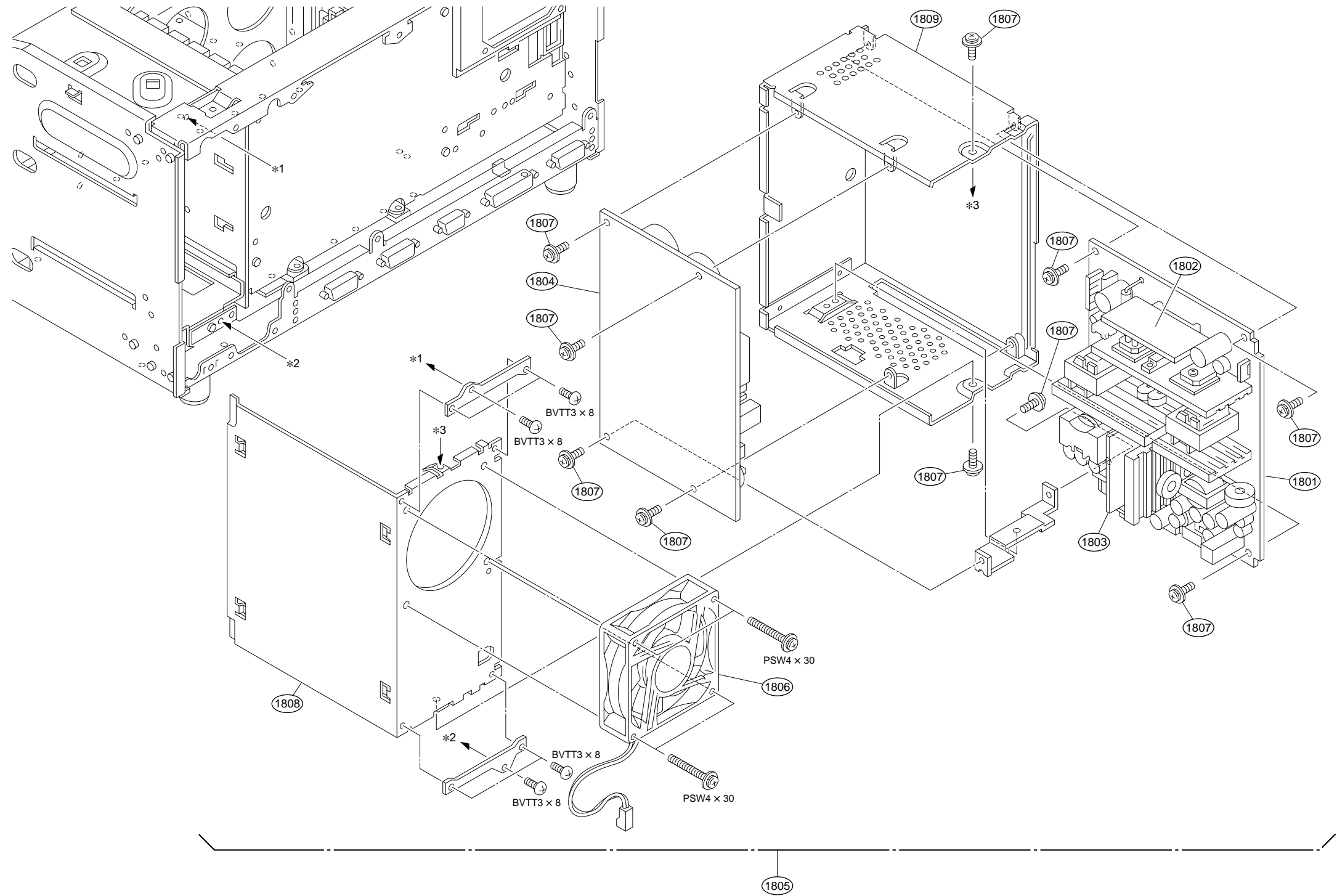
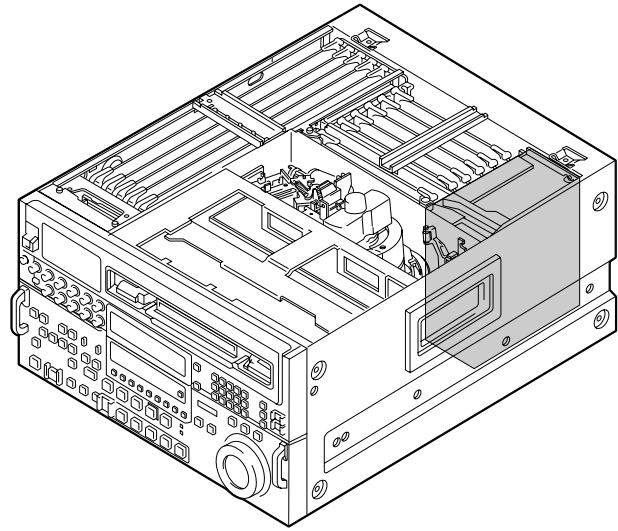
No.	Part No.	SP Description
1701	A-8275-337-C	o MOUNTED CIRCUIT BOARD, VPR-1BAP
1702	A-8275-343-B	o MOUNTED CIRCUIT BOARD, APR-1B (for S/N 11300 and higher:DVW-510P(EK))
	A-8275-342-A	o MOUNTED CIRCUIT BOARD, APR-1BP (for S/N 10001 thru. 11299:DVW-510P(EK))
1703	A-8275-345-A	o MOUNTED CIRCUIT BOARD, SS-52BP
1704	A-8275-349-B	o MOUNTED CIRCUIT BOARD, DIF-16B
1706	A-8275-354-A	o MOUNTED CIRCUIT BOARD, CUE-1BP
1707	A-8275-359-B	o MOUNTED CIRCUIT BOARD, EQ-45BA
1708	A-8275-361-B	o MOUNTED CIRCUIT BOARD, DPR-36HP
1712	3-171-453-03	o PLATE (L), SHIELD, CARD
1713	3-171-454-02	o SHEET (L), CARD
1714	3-171-455-01	o PLATE (S), SHIELD, CARD
1715	3-171-456-02	o SHEET (S), CARD
1716	3-179-084-01	s LEVER (R), PC BOARD
1717	3-179-085-01	s LEVER (L), PC BOARD
1718	3-180-646-02	o GUIDE (L), PRINTED CIRCUIT BOARD
1719	3-180-674-01	o GUIDE (S), PRINTED CIRCUIT BOARD
1720	3-696-787-03	o SHEET (S), CARD



**SWITCHING REGULATOR BLOCK****SWITCHING REGULATOR BLOCK**

No.	Part No.	SP Description
1801	9-936-256-01	o MOUNTED CIRCUIT BOARD SOPS-1042A
1802	9-936-257-01	o MOUNTED CIRCUIT BOARD SOPS-1019C
1803	9-936-258-01	o MOUNTED CIRCUIT BOARD SOPS-1042S
1804	9-936-259-01	o MOUNTED CIRCUIT BOARD SOPS-1042D
1805	△ 1-413-831-21	s SWITCHING REGULATOR
1806	1-541-431-41	s FAN, DC
1807	2-430-773-01	s SCREW, M3x6
1808	2-625-682-01	o CASE, KSM-1019B
1809	2-625-683-11	o CASE, KSM-1042A
1810	2-625-674-02	o PLATE (1019), GROUND

Switching Regulator Block



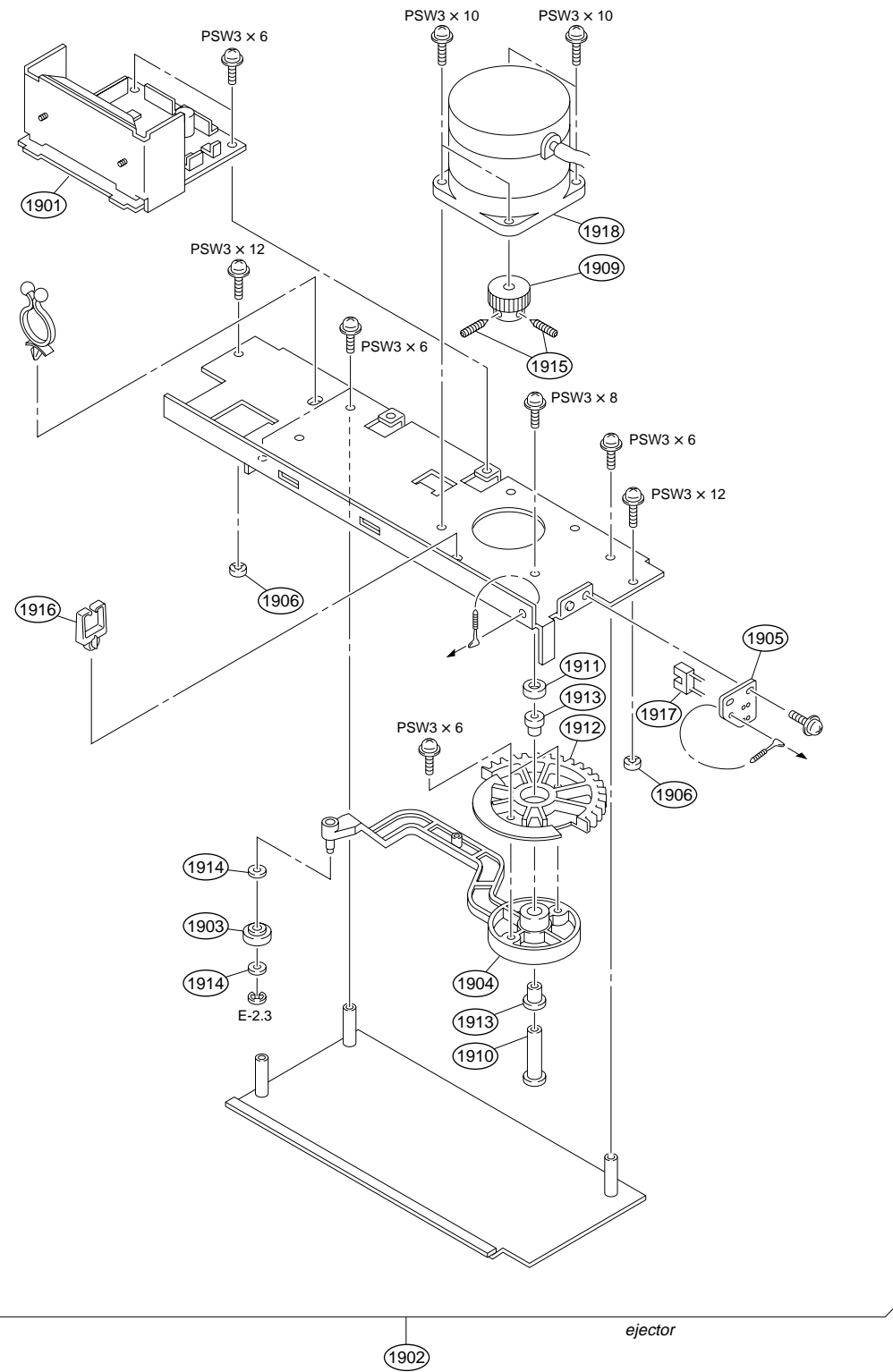
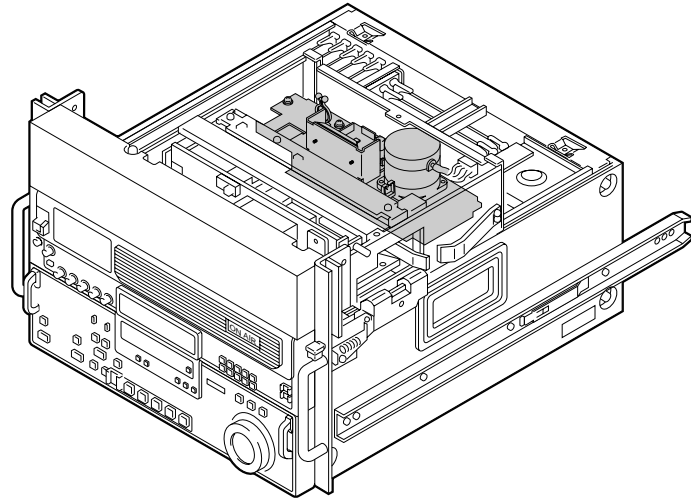
## For DVW-CA510P

No.	Part No.	SP Description
1901	A-6729-088-A	o MOUNTED CIRCUIT BOARD, IF-36
1902	A-8267-901-A	s EJECTOR ASSY
1903	X-3721-001-2	s ROLLER (AU) ASSY
1904	X-3688-013-1	o ARM ASSY, EJ
1905	1-654-100-11	o PRINTED CIRCUIT BOARD, SE-237
1906	3-668-413-00	o WASHER (M3), STOP
1909	3-687-644-01	s GEAR, MOTOR
1910	3-688-018-01	o SHAFT, ARM
1911	3-688-019-02	o SPACER, SHAFT, ARM
1912	3-688-025-01	o GEAR, ARM
1913	3-688-108-01	s BEARING (FLANGE), BALL
1914	3-701-439-21	s WASHER, POLY 3mm DIA., 0.50T
1915	3-701-510-00	s SET SCREW, DOUBLE POINT 4X4
1916	4-314-320-00	o HOLDER, WIRE
1917	8-719-918-74	s PHOTO INTERRUPTER GP-1S04
1918	8-838-087-01	s MOTOR, DC KNS-1600A



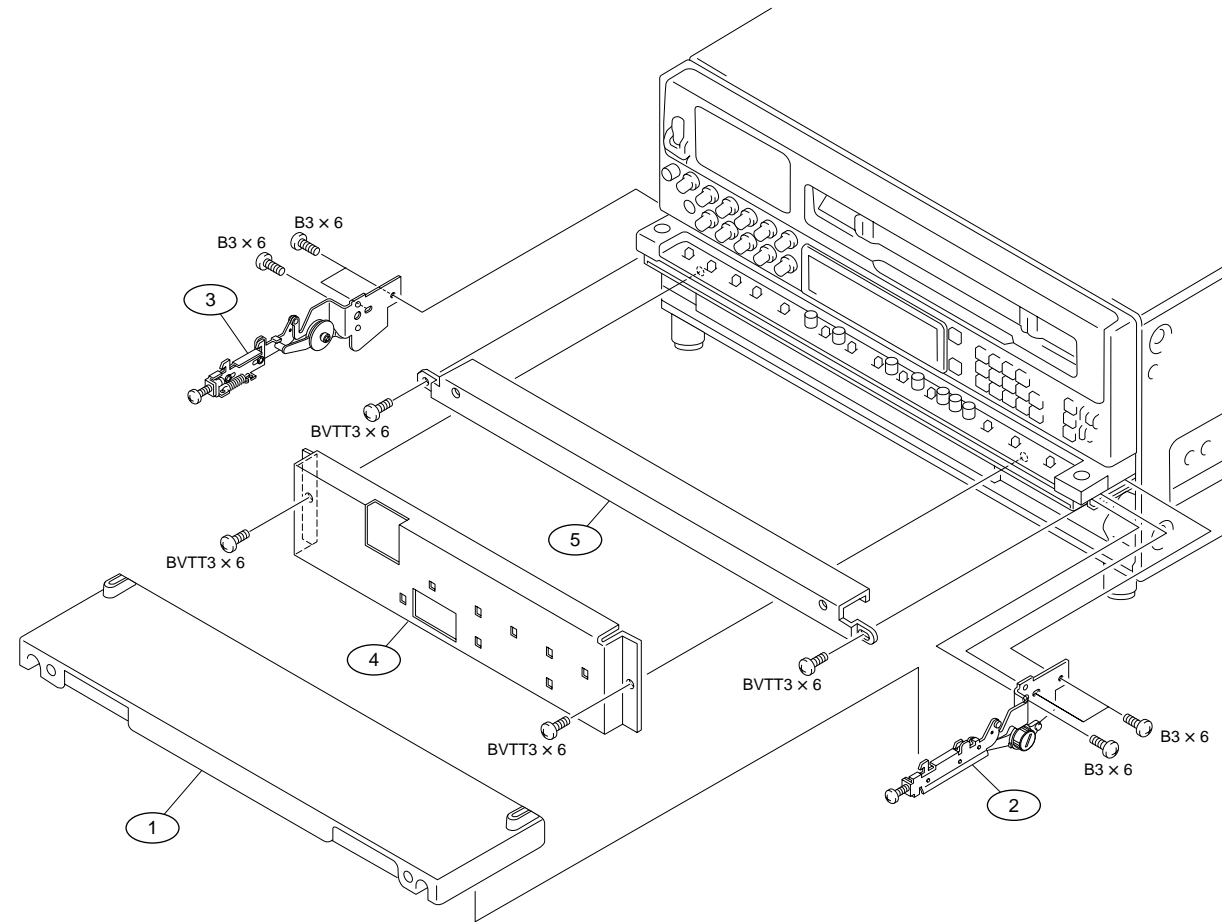
For DVW-CA510P/CA510

Ejector Block



For DVW-A500P/1, 500P/1  
For DVW-A500/1, 500/1

**Exploded View**



Ref. No. or Q'ty	Part No.	SP Description
1	A-8278-252-A	o PANEL ASSY, DUMMY
2	X-3678-375-3	s SLIDER AD(R)ASSY
3	X-3678-376-3	s SLIDER AD(L)ASSY
4	3-689-875-01	o COVER,SWC
5	3-689-879-02	o COVER,SUB PANEL

2-3. SPARE PARTS LIST OPTIONAL ACCESSORIES

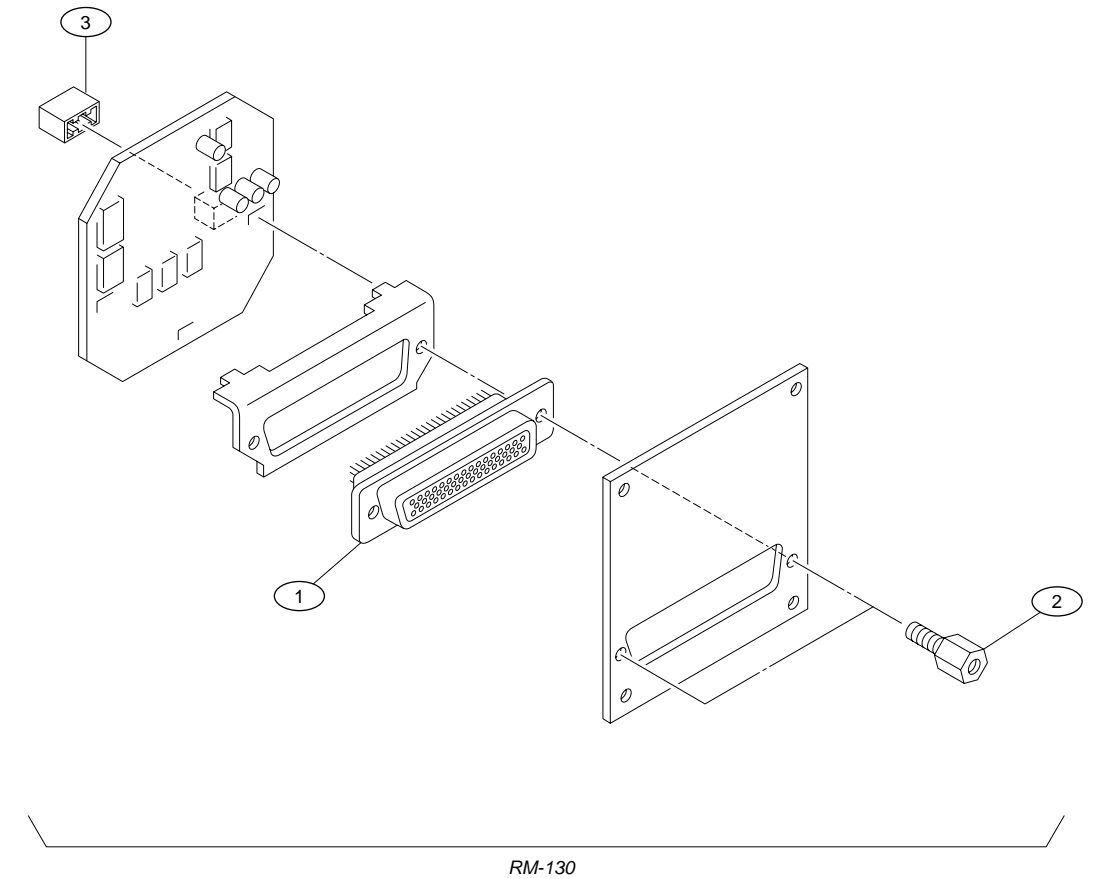
BKDW-509

Index

Model Name		Page
BKDW-505/506 (*1)	Analog Composite Decoder Board	—
BKDW-507 (*1)	Audio Program Play Board	—
BKDW-509	Parallel (50P) Interface Kit	2-67
BKDW-510	Control Panel Extension Kit	2-68
BKDW-511	Control Panel Case	2-68
BKDW-514	Control Panel	2-44
BKDW-515	Control Panel	2-69

(\*1) Please refer to Section 4.

Exploded View



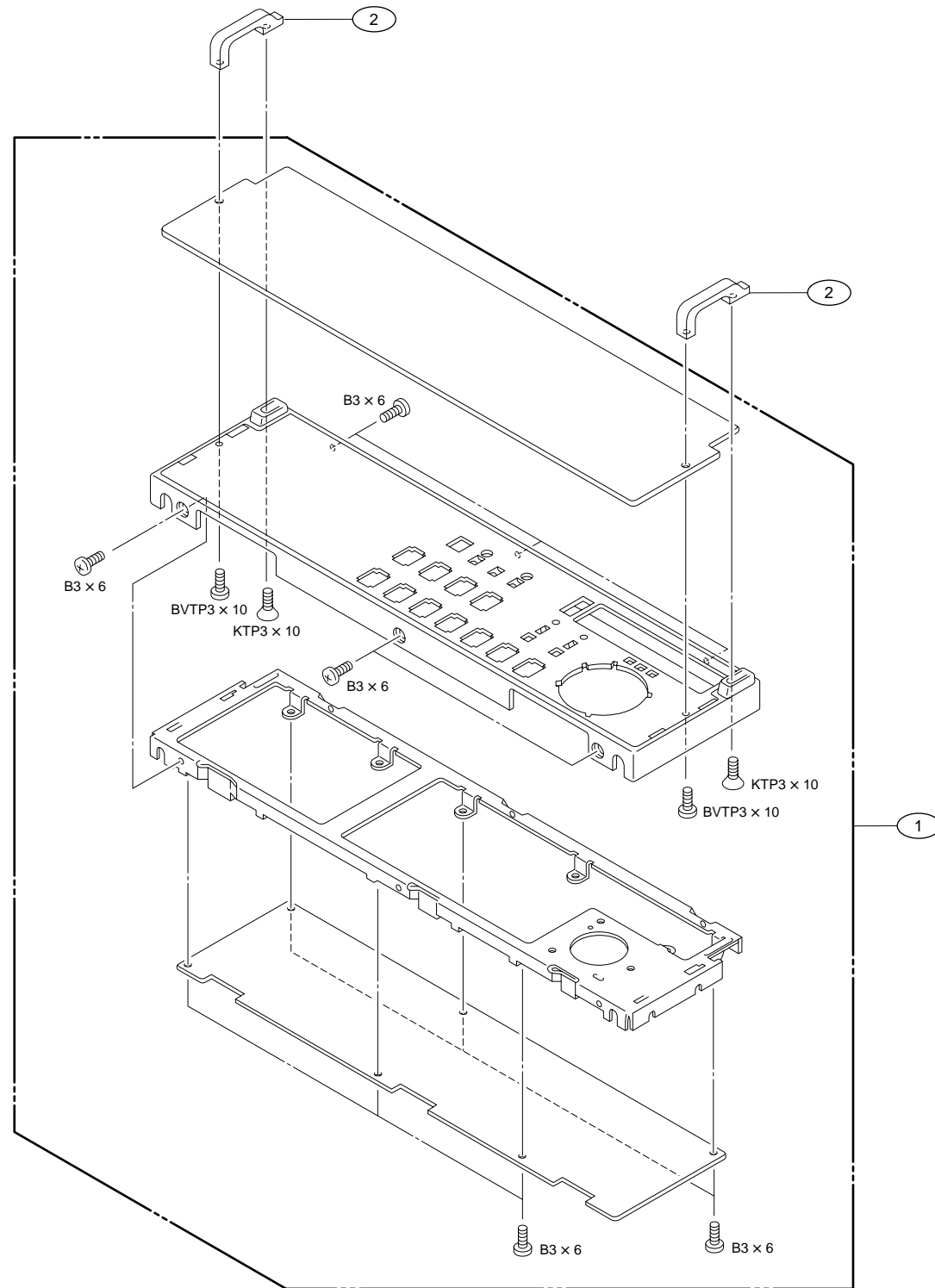
No.	Part No.	SP Description
1	1-563-893-21 s	SOCKET, D-SUB CONNECTOR 50P
2	3-673-910-31 s	SCREW, CONNECTOR
3	3-184-609-01 o	GUIDE, CONNECTOR

BKDW-510

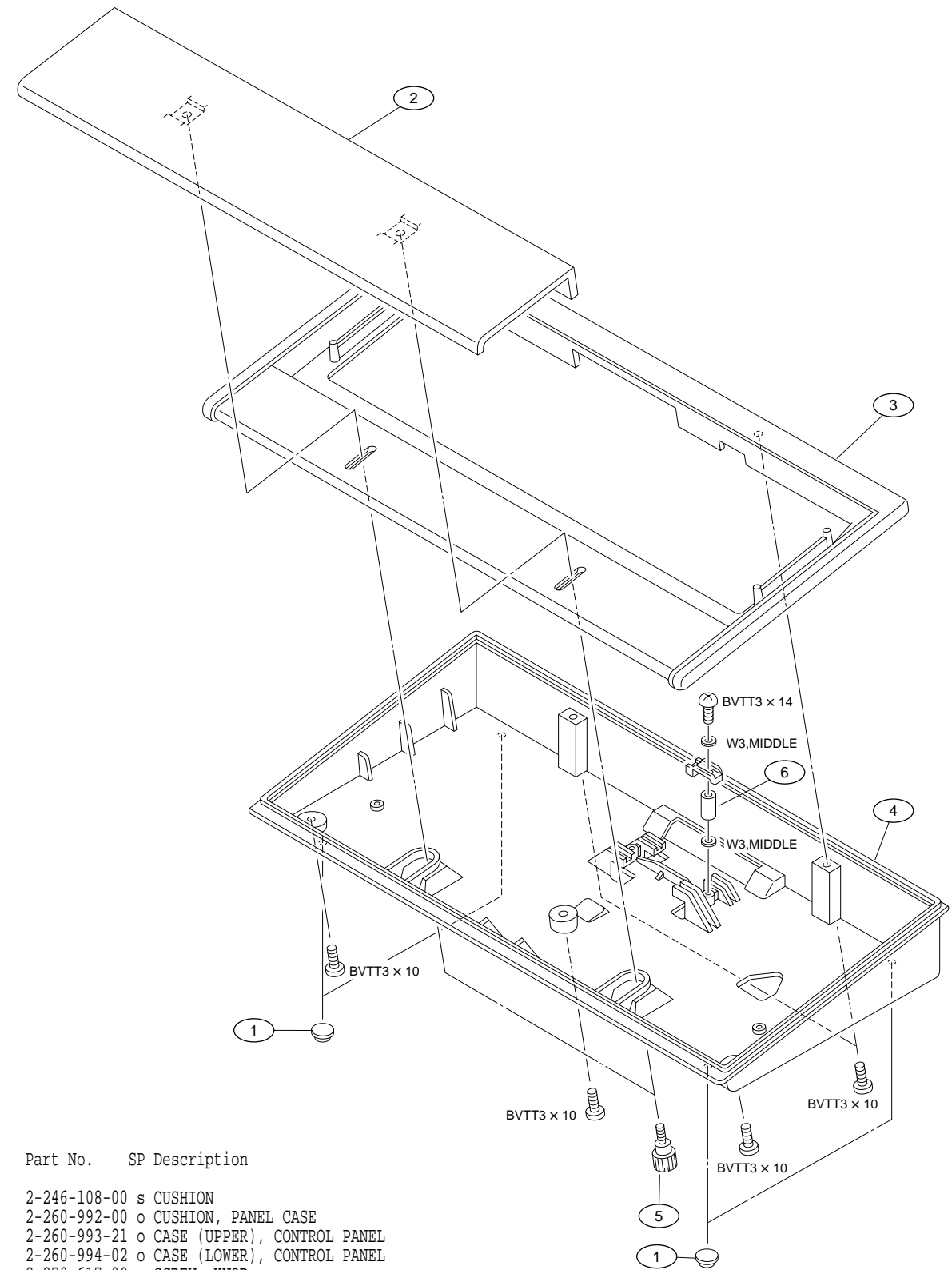
BKDW-511

Exploded View

Exploded View



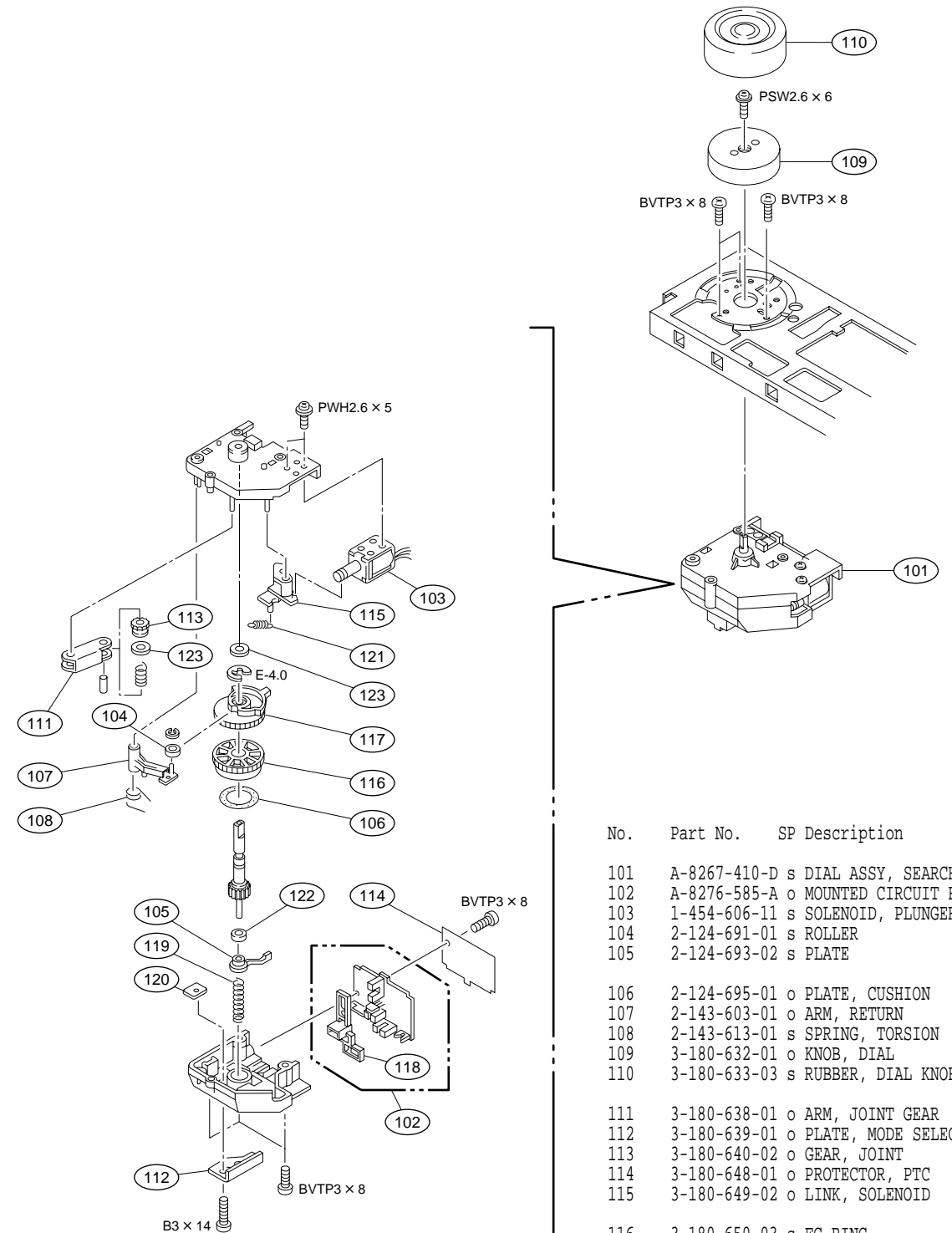
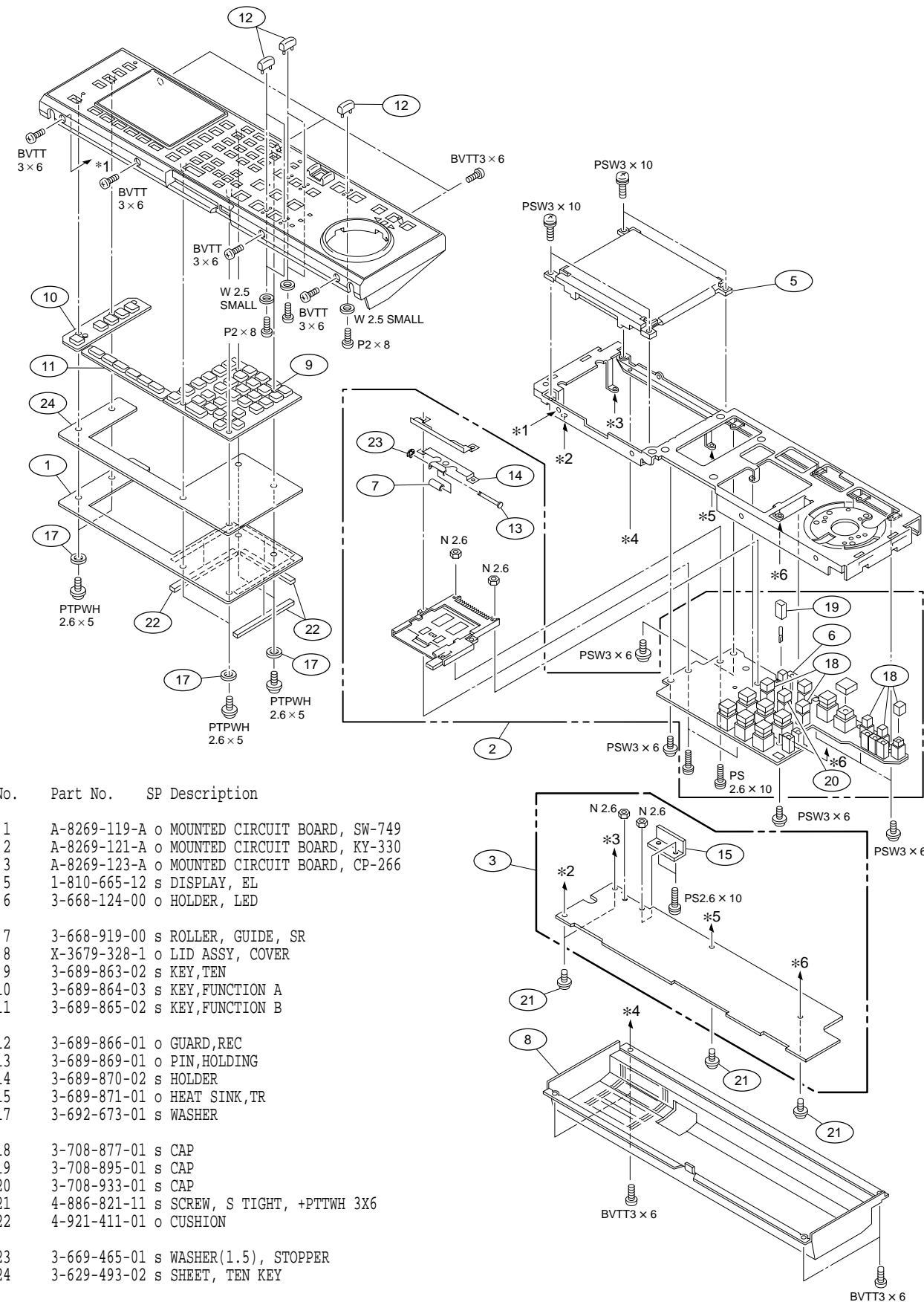
No.	Part No.	SP Description
1	A-6768-668-B	o PANEL ASSY, BLANK
2	3-717-425-01	o HANDLE
1pc	1-751-316-11	o CABLE ASSY, ENCAPSULATED



No.	Part No.	SP Description
1	2-246-108-00	s CUSHION
2	2-260-992-00	o CUSHION, PANEL CASE
3	2-260-993-21	o CASE (UPPER), CONTROL PANEL
4	2-260-994-02	o CASE (LOWER), CONTROL PANEL
5	2-270-617-00	s SCREW, KNOB
6	3-661-588-00	o SPACER, 3X5

BKDW-515

Exploded View



No.	Part No.	SP Description
1	A-8269-119-A	o MOUNTED CIRCUIT BOARD, SW-749
2	A-8269-121-A	o MOUNTED CIRCUIT BOARD, KY-330
3	A-8269-123-A	o MOUNTED CIRCUIT BOARD, CP-266
5	1-810-665-12	s DISPLAY, EL
6	3-668-124-00	o HOLDER, LED
7	3-668-919-00	s ROLLER, GUIDE, SR
8	X-3679-328-1	o LID ASSY, COVER
9	3-689-863-02	s KEY, TEN
10	3-689-864-03	s KEY, FUNCTION A
11	3-689-865-02	s KEY, FUNCTION B
12	3-689-866-01	o GUARD, REC
13	3-689-869-01	o PIN, HOLDING
14	3-689-870-02	s HOLDER
15	3-689-871-01	o HEAT SINK, TR
17	3-692-673-01	s WASHER
18	3-708-877-01	s CAP
19	3-708-895-01	s CAP
20	3-708-933-01	s CAP
21	4-886-821-11	s SCREW, S TIGHT, +PTTWH 3X6
22	4-921-411-01	o CUSHION
23	3-669-465-01	s WASHER(1.5), STOPPER
24	3-629-493-02	s SHEET, TEN KEY

No.	Part No.	SP Description
101	A-8267-410-D	s DIAL ASSY, SEARCH
102	A-8276-585-A	o MOUNTED CIRCUIT BOARD, PTC-69
103	1-454-606-11	s SOLENOID, PLUNGER
104	2-124-691-01	s ROLLER
105	2-124-693-02	s PLATE
106	2-124-695-01	o PLATE, CUSHION
107	2-143-603-01	o ARM, RETURN
108	2-143-613-01	s SPRING, TORSION
109	3-180-632-01	o KNOB, DIAL
110	3-180-633-03	s RUBBER, DIAL KNOB
111	3-180-638-01	o ARM, JOINT GEAR
112	3-180-639-01	o PLATE, MODE SELECTION
113	3-180-640-02	o GEAR, JOINT
114	3-180-648-01	o PROTECTOR, PTC
115	3-180-649-02	o LINK, SOLENOID
116	3-180-650-03	s FG-RING
117	3-180-651-04	o CAM, SD
118	3-180-859-01	o HOLDER, SENSOR
119	3-181-956-01	o SPRING, COMPRESSION
120	3-618-225-03	s NUT, PLATE
121	3-645-189-11	s SPRING, TENSION
122	3-701-441-21	s WASHER, POLY 4mm DIA., 0.50T
123	3-701-443-21	s WASHER, POLY 5mm DIA., 0.50T



## Section 3

### Electrical Parts List for VTR

#### 3-1. Frame List

-----  
 FRAME  
 -----

Ref.No.  
 or Q'ty

Ref.No. or Q'ty	Part No.	SP	Description
1pc	A-8260-687-B	s	INNER DRUM ASSY, DJR-02A-R (for DVW-A500P)
	A-8260-689-B	s	INNER DRUM ASSY, DJR-04A-R (for DVW-500P)
	A-8260-747-C	s	INNER DRUM ASSY, DJR-06A-R (for DVW-A510P/CA510P)
	A-8260-749-C	s	INNER DRUM ASSY, DJR-08A-R (for DVW-510P)
1pc	A-8260-691-C	s	DRUM ASSY, DJH-02A-R (for DVW-A500P)
	A-8260-693-C	s	DRUM ASSY, DJH-04A-R (for DVW-500P)
	A-8260-743-C	s	DRUM ASSY, DJH-06A-R (for DVW-A510P/CA510P)
	A-8260-745-C	s	DRUM ASSY, DJH-08A-R (for DVW-510P)
1pc	A-8267-571-A	s	BRUSH SR13 ASSY (RP) (for DVW-A500P/A510P/CA510P)
	A-8267-572-A	s	BRUSH SR9 ASSY (RP) (for DVW-500P/510P)
1pc	A-8314-518-A	s	HEAD ASSY, DEMAGNETIZATION (for DVW-A500P/A510P/CA510P only) (DEGAUSSING HEAD ASSY)
1pc	△ 1-413-831-21	s	REGULATOR, SWITCHING SOPS-1042(A)
1pc	1-517-185-21	s	INDICATOR MODULE, FLUORESCENT "LEVEL METERS"
1pc	1-543-316-31	s	HEAD, SENSING "TAPE TOP SENSOR"
1pc	1-543-316-31	s	HEAD, SENSING "TAPE END SENSOR"
1pc	1-951-939-13	o	HARNESS, SUB (RF REC) (for RECORDER only)
1pc	1-951-940-13	o	HARNESS, SUB (RF PB) (for RECORDER only)
1pc	1-952-944-11	o	HARNESS, SUB (RF PB 510) (for PLAYER only)
CB1001△	1-576-036-11	s	BREAKER, CIRCUIT 6A 250V
CN003 △	1-580-375-11	s	INLET, AC 3P, MALE
CN1001	1-750-881-11	s	CONVERT CONNECTOR, COAXIAL "SERAIL V/A INPUT" (for RECORDER only)
CN1002	1-750-881-11	s	CONVERT CONNECTOR, COAXIAL "SERAIL V/A OUTPUT 1/2"
CN1003	1-750-881-11	s	CONVERT CONNECTOR, COAXIAL "SERAIL V/A OUTPUT 3/4"
CN1201	1-560-132-21	s	HOUSING, 20P "CART" (for DVW-CA510P only)
20pcs	1-508-958-21	o	CONTACT, MALE
FL1001	1-543-793-11	s	FILTER, CLAMP (INLET GND)
FL1002	1-543-793-11	s	FILTER, CLAMP (AC BOARD side)
FL1003	1-543-793-11	s	FILTER, CLAMP (SW REG side)
FL1004	1-543-793-11	s	FILTER, CLAMP (MONI L/R) (for EK models only)
FL1005	1-543-793-11	s	FILTER, CLAMP (MONI L/R) (for EK models only)
H001	8-825-778-21	s	HEAD, AUDIO EPS244-2103G "AUDIO/TC HEAD" (for RECORDER)
	8-825-779-02	s	HEAD, AUDIO EPS244-2103J "AUDIO/TC HEAD" (for PLAYER)
H002	8-825-554-83	s	HEAD, CTL PS244-21B
H003	8-825-770-72	s	HEAD, FE EF291-21 (for RECORDER only)
M001	1-541-431-41	s	FAN, DC
M002	1-698-152-11	s	MOTOR, DC SVD-1449 "REEL SHIFT"
M003	1-698-152-11	s	MOTOR, DC SVD-1449 "THREADING"
M004	8-835-179-01	s	MOTOR, DC MCB2B15 "CASSETTE UP/DOWN" (for DVW-A500P/500P/A510P/510P)
	1-698-152-11	s	MOTOR, DC SVD-1449 "CASSETTE UP/DOWN" (for DVW-CA510P)
M005	A-8267-964-B	s	RM (PC) ASSY "S-REEL" (for DVW-A500P/A510P)
	A-8267-774-B	s	RM ASSY "S-REEL" (for DVW-500P/510P)
M006	A-8310-086-B	s	RM(TPC) ASSY "T-REEL" (for DVW-A500P/A510P)
	A-6737-207-B	s	RM ASSY "T-REEL" (for DVW-500P/510P)
M007	1-698-179-11	s	MOTOR, DC "CAPSTAN"
M008	1-541-431-41	s	FAN, DC
M1001	8-838-087-01	s	MOTOR, DC KNS-1600A "EJECTOR" (for DVW-CA510P only)
PM001	1-454-607-11	s	SOLENOID "CLEANING"
PM002	1-454-338-00	s	SOLENOID "PINCH"
PM003	1-454-417-41	s	SOLENOID "S-BRAKE"
PM004	1-454-417-41	s	SOLENOID "T-BRAKE"
PM005	1-454-606-11	s	SOLENOID "DIAL"
S001 △	1-570-117-31	s	SWITCH, ROCKER (AC POWER)
S901	1-553-661-00	s	SWITCH, MICRO "VTR LOCK" (for DVW-CA510P only)

### 3-2. Frame, Harness, Connector and Contact List

-----  
 FRAME, HARNESS, CONNECTOR & CONTACT  
 -----

Ref.No.  
 or Q'ty Part No. SP Description

to AC-139/139B board

CN001FA 1-562-285-11 o HOUSING, VH 4P  
 2pcs Δ 1-562-210-11 o CONTACT, FEMALE, AWG18-22

CN002FA 1-562-285-11 o HOUSING, VH 4P  
 2pcs Δ 1-562-210-11 o CONTACT, FEMALE, AWG18-22

to AT HEAD

CN910F 1-580-585-11 o HOUSING, LY 18P (for RECORDER)  
 5pcs 1-573-176-11 o CONTACT, FEMALE, AWG22-26  
 10pcs 1-580-599-11 o CONTACT, LY, FEMALE, AWG22-30

CN910F 1-580-585-11 o HOUSING, LY 18P (for PLAYER)  
 3pcs 1-573-176-11 o CONTACT, FEMALE, AWG22-26  
 6pcs 1-580-599-11 o CONTACT, LY, FEMALE, AWG22-30

to CAPSTAN MOTOR

CN001F 1-951-926-11 o HARNESS, SUB (CAP MOTOR)

to CCM-15 board for THREADING MOTOR

CN920F 1-951-930-12 o HARNESS, SUB (THD MOTOR)

to CCM-15 board for REEL SHIFT MOTOR

CN920F 1-951-929-11 o HARNESS, SUB (SFT MOTOR)

to CIRCUIT BREAKER

1pc Δ 1-951-965-13 o HARNESS, SUB (BREAKER)  
 (for Europa model)  
 1pc Δ 1-951-965-21 o HARNESS, SUB (BREAKER(UC))  
 (for USA and Canada models)

to CL-28 board (for DVW-CA510 only)

CN280F 1-569-205-11 o HOUSING, 12P  
 9pcs 1-569-193-11 o CONTACT, FEMALE, AWG24-30

CN281F 1-569-196-41 o HOUSING, 3P  
 3pcs 1-569-193-11 o CONTACT, FEMALE, AWG24-30

CN282F 1-569-196-11 o HOUSING, 3P  
 3pcs 1-569-193-11 o CONTACT, FEMALE, AWG24-30

CN283F 1-569-196-21 o HOUSING, 3P  
 3pcs 1-569-193-11 o CONTACT, FEMALE, AWG24-30

CN284F 1-569-199-41 o HOUSING, 6P  
 6pcs 1-569-193-11 o CONTACT, FEMALE, AWG24-30

CN285F 1-569-196-31 o HOUSING, 3P  
 3pcs 1-569-193-11 o CONTACT, FEMALE, AWG24-30

CN286F 1-561-519-00 s HOUSING, ILG 8P  
 8pcs 1-560-372-00 o CONTACT, ILG, FEMALE, AWG22-28

CN287F 1-569-197-11 o HOUSING, 4P  
 4pcs 1-569-193-11 o CONTACT, FEMALE, AWG24-30

(FRAME, HARNESS, CONNECTOR & CONTACT)

Ref.No.  
 or Q'ty Part No. SP Description

to CL-29 board (for except DVW-CA510P)

CN930F 1-951-980-15 o HARNESS, SUB (CASS CON)  
 CN933F 1-751-644-11 s WIRE, FLEXIBLE CARD 5P

CN935F 1-569-195-11 s HOUSING, 2P  
 2pcs 1-569-193-11 o CONTACT, FEMALE, AWG24-30

to CP-218/218B board

CN412F 1-951-969-11 o HARNESS, SUB (COMP OUT)  
 CN413F 1-951-970-11 o HARNESS, SUB (COMP IN)  
 CN414F 1-951-968-11 o HARNESS, SUB (IN VIDEO)

CN415F 1-951-938-11 o HARNESS, SUB (10 BIT IN)  
 (for RECORDER only)

to CP-220/220B board

CN400F 1-569-206-41 o HOUSING, 13P (for RECORDER only)  
 4pcs 1-569-191-11 o CONTACT, FEMALE, AWG22-26  
 8pcs 1-569-193-11 o CONTACT, FEMALE, AWG24-30

CN401F 1-951-972-11 o HARNESS, SUB (AU OUT)  
 CN402F 1-951-971-11 o HARNESS, SUB (CUE IN/OUT)  
 CN403F 1-951-973-11 o HARNESS, SUB (MONI OUT)  
 CN404F 1-751-358-11 s CABLE, FLAT 34P (AES/EBU)

to CTL HEAD board

CN001F 1-569-195-11 s HOUSING, 2P  
 2pcs 1-569-193-11 o CONTACT, FEMALE, AWG24-30

to CUE-1/1AP/1B/1BA board

CN900F 1-569-199-21 o HOUSING, 6P  
 2pcs 1-569-191-11 o CONTACT, FEMALE, AWG22-26  
 4pcs 1-569-193-11 o CONTACT, FEMALE, AWG24-30

CN901F 1-569-199-11 o HOUSING, 6P (for RECORDER only)  
 2pcs 1-569-191-11 o CONTACT, FEMALE, AWG22-26  
 4pcs 1-569-193-11 o CONTACT, FEMALE, AWG24-30

CN902F 1-569-196-11 o HOUSING, 3P (for RECORDER only)  
 1pc 1-569-191-11 o CONTACT, FEMALE, AWG22-26  
 2pcs 1-569-193-11 o CONTACT, FEMALE, AWG24-30

CN903F 1-569-196-21 o HOUSING, 3P  
 1pc 1-569-191-11 o CONTACT, FEMALE, AWG22-26  
 2pcs 1-569-193-11 o CONTACT, FEMALE, AWG24-30

to DIF-16/16B board

CN450F 1-751-363-11 o CABLE, COAXIAL 80 cm  
 CN451F 1-751-363-11 o CABLE, COAXIAL 80 cm  
 CN452F 1-751-363-11 o CABLE, COAXIAL 80 cm  
 CN456F 1-751-363-11 o CABLE, COAXIAL 80 cm

CN554F 1-751-363-11 o CABLE, COAXIAL 80 cm  
 (for RECORDER only)

CN555F 1-751-363-11 o CABLE, COAXIAL 80 cm  
 (for RECORDER only)



(FRAME, HARNESS, CONNECTOR & CONTACT)

Ref.No.  
or Q'ty Part No. SP Description

to DP-176/176B board

CN591F 1-537-565-12 o WIRE, JUMPER (HIGH WINDING) 23P

to DR-307/200 board

CN302F 1-751-357-11 s CABLE, FLAT 60P (SV CONT)

CN303F 1-569-208-11 o HOUSING, 15P  
15pcs 1-569-191-11 o CONTACT, FEMALE, AWG22-26

CN304F 1-751-425-11 s WIRE, FLEXIBLE CARD 36P  
CN305F 1-751-425-11 s WIRE, FLEXIBLE CARD 36P

CN306F 1-562-286-11 o HOUSING, VH 5P  
5pcs 1-562-210-11 o CONTACT, FEMALE, AWG18-22

CN321F 1-559-266-11 s WIRE, FLEXIBLE CARD 13P  
CN322F 1-559-266-11 s WIRE, FLEXIBLE CARD 13P

to DRUM ASSY

CN610F 1-580-584-11 o HOUSING, LY 16P (for RECORDER)  
4pcs 1-573-176-11 o CONTACT, FEMALE, AWG22-26  
8pcs 1-580-599-11 o CONTACT, LY, FEMALE, AWG22-30

CN610F 1-580-579-11 o HOUSING, LY 6P (for PLAYER)  
2pcs 1-573-176-11 o CONTACT, FEMALE, AWG22-26  
4pcs 1-580-599-11 o CONTACT, LY, FEMALE, AWG22-30

CN611F 1-580-583-11 o HOUSING, LY 14P (for RECORDER)  
4pcs 1-573-176-11 o CONTACT, FEMALE, AWG22-26  
8pcs 1-580-599-11 o CONTACT, LY, FEMALE, AWG22-30

CN611F 1-580-581-11 o HOUSING, LY 10P (for PLAYER)  
2pcs 1-573-176-11 o CONTACT, FEMALE, AWG22-26  
4pcs 1-580-599-11 o CONTACT, LY, FEMALE, AWG22-30

CN612F 1-580-587-11 o HOUSING, LY 22P  
6pcs 1-573-176-11 o CONTACT, FEMALE, AWG22-26  
16pcs 1-580-599-11 o CONTACT, LY, FEMALE, AWG22-30

to DT-34/34B board

CN390F 1-951-984-11 o HARNESS, SUB (DT CONT)  
CN391F 1-951-983-11 o HARNESS, SUB (DT DRIVE)

to EQ-45/45A/45B/45BA board

CN601F 1-569-199-11 o HOUSING, 6P  
2pcs 1-569-192-11 o CONTACT, FEMALE, AWG22-26  
4pcs 1-569-194-11 o CONTACT, FEMALE, AWG24-30

CN602F 1-569-197-11 o HOUSING, 4P (for RECORDER only)  
1pc 1-569-192-11 o CONTACT, FEMALE, AWG22-26  
2pcs 1-569-194-11 o CONTACT, FEMALE, AWG24-30

CN603F 1-569-197-21 o HOUSING, 4P (for RECORDER only)  
1pc 1-569-192-11 o CONTACT, FEMALE, AWG22-26  
2pcs 1-569-194-11 o CONTACT, FEMALE, AWG24-30

CN606F 1-569-196-11 o HOUSING, 3P  
1pc 1-569-192-11 o CONTACT, FEMALE, AWG22-26  
2pcs 1-569-194-11 o CONTACT, FEMALE, AWG24-30

(FRAME, HARNESS, CONNECTOR & CONTACT)

Ref.No.  
or Q'ty Part No. SP Description

(to EQ-45/45A/45B/45BA board)

CN607F 1-569-196-21 o HOUSING, 3P  
1pc 1-569-192-11 o CONTACT, FEMALE, AWG22-26  
2pcs 1-569-194-11 o CONTACT, FEMALE, AWG24-30

CN608F 1-569-196-31 o HOUSING, 3P (for RECORDER only)  
1pc 1-569-192-11 o CONTACT, FEMALE, AWG22-26  
2pcs 1-569-194-11 o CONTACT, FEMALE, AWG24-30

CN609F 1-569-196-41 o HOUSING, 3P (for RECORDER only)  
1pc 1-569-192-11 o CONTACT, FEMALE, AWG22-26  
2pcs 1-569-194-11 o CONTACT, FEMALE, AWG24-30

to FP-58/58B board

CN500F 1-751-352-11 s CABLE, FLAT 40P (FP CONT)  
CN501F 1-751-360-11 s CABLE, FLAT 26P (FRONT SW2)  
CN502F 1-751-359-11 s CABLE, FLAT 34P (FRONT SW1)  
CN505F 1-951-935-11 o HARNESS, SUB (DISPLAY)

to FULL ERASE HEAD (for RECORDER only)

CN001F 1-569-196-11 o HOUSING, 3P  
1pc 1-569-191-11 o CONTACT, FEMALE, AWG22-26  
2pcs 1-569-193-11 o CONTACT, FEMALE, AWG24-30

to HN-181 board

CN201F 1-951-977-11 o HARNESS, SUB (DT SIG)  
CN202F 1-951-926-11 o HARNESS, SUB (CAP MOTOR)

CN204F 1-562-211-11 o HOUSING, VH 3P  
3pcs 1-562-210-11 o CONTACT, FEMALE, AWG18-22

CN205F 1-569-199-11 o HOUSING, 6P  
6pcs 1-569-191-11 o CONTACT, FEMALE, AWG22-26

CN208F 1-951-984-11 o HARNESS, SUB (DT CONT)  
CN209F 1-951-983-11 o HARNESS, SUB (DT DRIVE)

CN210F 1-580-587-11 o HOUSING, LY 22P  
6pcs 1-573-176-11 o CONTACT, FEMALE, AWG22-26  
16pcs 1-580-599-11 o CONTACT, LY, FEMALE, AWG22-30

CN211F 1-569-196-11 o HOUSING, 3P  
1pc 1-569-191-11 o CONTACT, FEMALE, AWG22-26  
2pcs 1-569-193-11 o CONTACT, FEMALE, AWG24-30

CN212F 1-562-286-11 o HOUSING, VH 5P  
5pcs 1-562-210-11 o CONTACT, FEMALE, AWG18-22

CN213F 1-569-208-11 o HOUSING, 15P  
15pcs 1-569-191-11 o CONTACT, FEMALE, AWG22-26

CN214F 1-751-425-11 s WIRE, FLEXIBLE CARD 36P  
CN215F 1-751-425-11 s WIRE, FLEXIBLE CARD 36P  
CN216F 1-951-933-11 o HARNESS, SUB (CAS SENS)  
CN217F 1-951-929-11 o HARNESS, SUB (SFT MOTOR)  
CN218F 1-951-979-11 o HARNESS, SUB (REEL POS)

CN219F 1-561-515-00 o HOUSING, ILG, 3P  
3pcs 1-560-372-00 o CONTACT, ILG, FEMALE, AWG22-28

(FRAME, HARNESS, CONNECTOR & CONTACT)

Ref.No.  
or Q'ty Part No. SP Description

to HN-184 board

CN231F 1-951-925-12 o HARNESS, SUB (S-TEN REG)

CN232F 1-569-195-11 o HOUSING, 2P  
2pcs 1-569-193-11 o CONTACT, FEMALE, AWG24-30

CN233F 1-951-924-11 o HARNESS, SUB (THD FG)

CN234F 1-569-199-11 o HOUSING, 6P  
5pcs 1-569-191-11 o CONTACT, FEMALE, AWG22-26  
1pc 1-569-193-11 o CONTACT, FEMALE, AWG24-30

CN235F 1-951-930-12 o HARNESS, SUB (THD MOTOR)

to HN-185 board

CN241F A-8267-571-A s BRUSH SR13 ASSY (RP)  
(for DVW-A500P/A510P/CA510P)

CN241F A-8267-572-A s BRUSH SR9 ASSY (RP)  
(for DVW-500P/510P)

CN242F 1-951-980-15 o HARNESS, SUB (CASS CON)  
(for except DVW-CA510P)

CN242F 1-569-205-11 HOUSING, 12P (for DVW-CA510P)  
9pcs 1-569-193-11 o CONTACT, FEMALE, AWG24-30

CN243F 1-951-937-11 o HARNESS, SUB (TOP/END SENS)

CN244F 1-956-187-11 o HARNESS, SUB (T-TEN)

to IF-36 board (for DVW-CA510P only)

CN1101F 8-838-087-01 s MOTOR, DC (KNS-1600A) EJECTOR

CN1102F 1-509-984-00 o HOUSING, IL 3P  
2pcs 1-509-982-00 o CONTACT, IL, FEMALE

CN1103F 1-509-989-00 o HOUSING, IL 10P  
10pcs 1-509-982-00 o CONTACT, IL, FEMALE

CN1104F 1-509-989-00 o HOUSING, IL 10P  
10pcs 1-509-982-00 o CONTACT, IL, FEMALE

CN1105F 1-509-988-00 o HOUSING, IL 8P  
8pcs 1-509-982-00 o CONTACT, IL, FEMALE

to KY-231/231B board

CN590F 1-751-356-11 s CABLE, FLAT 16P (KEY CONT)

CN591F 1-537-565-12 o WIRE, JUMPER (HIGH WINDING) 23P

CN592F 1-951-931-11 o HARNESS, SUB (JOG DIAL)

to LED-200 board (for DVW-CA510P only)

CN1F 1-569-194-41 o HOUSING, 3P  
3pcs 1-569-193-11 o CONTACT, FEMALE, AWG24-30

to LEVEL METER

CN1F 1-951-935-11 o HARNESS, SUB (DISPLAY)

(FRAME, HARNESS, CONNECTOR & CONTACT)

Ref.No.  
or Q'ty Part No. SP Description

to LP-81 board (for except DVW-CA510P)

CN932 Unstocked part

to MAG1 sub harness (for DVW-A500P/A510P/CA510P)

1pc 1-561-515-00 o HOUSING, ILG, 3P  
3pcs 1-560-372-00 o CONTACT, ILG, FEMALE, AWG22-28

to MAG2 sub harness of DEGAUSSING HEAD ASSY  
(for DVW-A500P/A510P/CA510P)

1pc 1-565-892-11 o HOUSING, ILM, 3P  
3pcs 1-564-092-11 o CONTACT, ILM, MALE, AWG22-28

to MB-441 board

CN135F 1-951-969-11 o HARNESS, SUB (COMP OUT)

CN136F 1-951-970-11 o HARNESS, SUB (COMP IN)

CN137F 1-751-358-11 s CABLE, FLAT 34P (AES/EBU)

CN138F 1-951-968-11 o HARNESS, SUB (IN VIDEO)

CN139F 1-951-938-11 o HARNESS, SUB (10 BIT IN)  
(for RECORDER only)

CN140F 1-951-971-11 o HARNESS, SUB (CUE IN/OUT)

CN142F 1-569-206-11 o HOUSING, 13P  
4pcs 1-569-191-11 o CONTACT, FEMALE, AWG22-26  
6pcs 1-569-193-11 o CONTACT, FEMALE, AWG24-30

CN143F 1-951-972-11 o HARNESS, SUB (AU OUT)

CN144F 1-951-973-11 o HARNESS, SUB (MONI OUT)

CN145F 1-951-974-11 o HARNESS, SUB (MONI L/R)

CN146F 1-751-357-11 s CABLE, FLAT 60P (SV CONT)

CN147F 1-751-352-11 s CABLE, FLAT 40P (FP CONT)

CN149F 1-951-977-11 o HARNESS, SUB (DT SIG)

CN150F 1-561-514-00 o HOUSING, ILG 2P  
2pcs 1-506-740-11 o CONTACT, FEMALE, AWG22-28

CN151F 1-563-888-11 s HOUSING, VH 10P  
10pcs 1-562-210-11 o CONTACT, FEMALE, AWG18-22

CN152F 1-562-640-11 o HOUSING, VH 8P  
8pcs 1-562-210-11 o CONTACT, FEMALE, AWG18-22

CN153F 1-562-285-11 o HOUSING, VH 4P  
4pcs 1-562-210-11 o CONTACT, FEMALE, AWG18-22

CN154F 1-569-199-11 o HOUSING, 6P  
6pcs 1-569-191-11 o CONTACT, FEMALE, AWG22-28

CN155F NON CONNECTION

CN156F 1-951-978-11 o HARNESS, SUB (FAN POW)

CN160F 1-951-936-11 o HARNESS, SUB (RF SIG)  
(for DVW-A500P/A510P/CA510P)

CN161F 1-951-936-11 o HARNESS, SUB (RF SIG)  
(for DVW-A500P/A510P/CA510P)

(FRAME, HARNESS, CONNECTOR & CONTACT)

Ref.No.  
or Q'ty Part No. SP Description  
to PC-70 board (for except DVW-CA510P)  
CN934F 1-751-644-11 s WIRE, FLEXIBLE CARD 5P  
to PD-35 board  
CN854F 1-569-199-11 o HOUSING, 6P  
4pcs 1-569-191-11 o CONTACT, FEMALE, AWG22-26

to PTC-54 board  
CN904F 1-951-924-11 o HARNESS, SUB (THD FG)

to PTC-59 board  
CN1F 1-951-933-11 o HARNESS, SUB (CAS SENS)

to PTC-69 board  
CN1F 1-951-931-11 o HARNESS, SUB (JOG DIAL)  
CN2F 1-562-148-11 o HOUSING, 3P  
3pcs 1-564-026-00 o CONTACT, FEMALE, AWG26-30

to PTC-71 board  
CN1F 1-951-979-11 o HARNESS, SUB (REEL POS)

to RM-141/82 board (for S-REEL or T-REEL)  
CN923F 1-559-266-11 s WIRE, FLEXIBLE CARD 13P  
CN926F 1-562-149-11 o HOUSING, 4P  
4pcs 1-564-026-00 s CONTACT, FEMALE, AWG26-30  
CN927F 1-562-148-11 o HOUSING, 3P  
3pcs 1-564-026-00 s CONTACT, FEMALE, AWG26-30

to SWC-17/17B board  
CN560F 1-751-360-11 s CABLE, FLAT 26P (FRONT SW2)

to SWC-18/18B board  
CN570F 1-751-359-11 s CABLE, FLAT 34P (FRONT SW1)

to SWC-19/19B board  
CN580F 1-751-356-11 s CABLE, FLAT 16P (KEY CONT)

(FRAME, HARNESS, CONNECTOR & CONTACT)

Ref.No.  
or Q'ty Part No. SP Description  
to SWITCHING REGULATOR

CN101F Δ 1-562-285-11 o HOUSING, VH 4P  
2pcs Δ 1-562-210-11 o CONTACT, FEMALE, AWG18-22

CN201F 1-563-888-11 s HOUSING, VH 10P  
10pcs 1-562-210-11 o CONTACT, FEMALE, AWG18-22

CN202F 1-562-640-11 o HOUSING, VH 8P  
8pcs 1-562-210-11 o CONTACT, FEMALE, AWG18-22

CN203F 1-951-978-11 o HARNESS, SUB (FAN POW)

CN204F 1-562-211-11 o HOUSING, VH 3P  
3pcs 1-562-210-11 o CONTACT, FEMALE, AWG18-22

CN205F 1-541-431-11 s FAN, DC

CN206F 1-562-285-11 o HOUSING, VH 4P  
4pcs 1-562-210-11 o CONTACT, FEMALE, AWG18-22

to TAPE END SENSOR

CN001F 1-569-195-11 s HOUSING, 2P  
1pc 1-569-191-11 o CONTACT, FEMALE, AWG22-26  
1pc 1-569-193-11 o CONTACT, FEMALE, AWG24-30

to TAPE TOP SENSOR

CN001F 1-951-937-11 o HARNESS, SUB (TOP/END SENS)

to TBC-23 board (for DVW-A500P/A510P/CA510P)

CN1F 1-951-934-11 o HARNESS, SUB (TBC SIG)

to TBC-24 board (for DVW-A500P/A510P/CA510P)

CN1F 1-951-934-11 o HARNESS, SUB (TBC SIG)

to TR-78 board

CN1F 1-951-925-12 o HARNESS, SUB (S-TEN REG)

to TR-79 board

CN1F 1-956-187-11 o HARNESS, SUB (T-TEN)

to VR-152/152B board

CN510F 1-951-927-11 o HARNESS, SUB (VR RP1)  
CN511F 1-951-928-12 o HARNESS, SUB (VR RP2)  
CN512F 1-951-974-11 o HARNESS, SUB (MONI L/R)

to VR-153/153B board

CN522F 1-951-927-11 o HARNESS, SUB (VR RP1)  
CN523F 1-951-928-12 o HARNESS, SUB (VR RP2)

### 3-3. Each Board Parts List for Recorder

Title	Page	Title	Page
A AC-139 .....	3-7	P PC-70 .....	3-172
AP-28 : For DVW-A500P .....	3-7	PD-35 .....	3-172
APR-1 : suffix 16 or higher .....	3-13	PTC-54 .....	3-172
: suffix 11 through 14 .....	3-27	PTC-59 .....	3-172
C CCM-15 : For Reel shift motor .....	3-40	PTC-69 .....	3-172
: For Threading motor .....	3-40	PTC-71 .....	3-172
CL-29 .....	3-41	R RM-82 : For S reel motor .....	3-173
CP-218 .....	3-41	: For T reel motor of DVW-500P .....	3-173
CP-220 .....	3-42	RM-141 : For T reel motor of DVW-A500P .....	3-173
CUE-1 : For DVW-500P .....	3-44	RM-181 .....	3-173
CUE-1AP: For DVW-A500P .....	3-52	S SE-228 .....	3-173
D DIF-16 : suffix 16, 31 or higher .....	3-60	SS-52 : FOR DVW-500P .....	3-173
: suffix 11 through 13 .....	3-66	SS-52A : FOR DVW-A500P .....	3-184
DM-89 : For DVW-A500P, suffix 17 or higher .....	3-71	SW-537 .....	3-194
: For DVW-A500P, suffix 11 through 16 .....	3-83	SWC-17 .....	3-194
DP-176 .....	3-96	SWC-18 .....	3-195
DPR-36 : suffix 14 or higher .....	3-96	SWC-19 .....	3-196
: suffix 11 through 13 .....	3-101	SWITCHING REGULATOR	
DR-307A: For DVW-A500P, LOT No. 912 or higher .....	3-104	SOPS-1019C .....	3-197
DR-307D: For DVW-500P, LOT No. 912 or higher .....	3-113	SOPS-1042A .....	3-197
DR-200 : LOT No. 302 through 911 .....	3-120	SOPS-1042B : For SOPS-1042 .....	3-199
DT-34 .....	3-127	SOPS-1042D : For SOPS-1042(A) .....	3-200
DUS-194 .....	3-128	SOPS-1042S .....	3-201
DUS-679 .....	3-128	T TBC-23 : For DVW-A500P, suffix 16 or higher .....	3-201
DUS-680 .....	3-129	: For DVW-A500P, suffix 11 through 15 .....	3-206
DUS-682 .....	3-129	TBC-24 : For DVW-A500P, suffix 16 or higher .....	3-209
DUS-687 .....	3-129	: For DVW-A500P, suffix 11 through 15 .....	3-218
DUS-690 .....	3-129	TR-78 .....	3-227
DUS-691 .....	3-130	TR-79 .....	3-227
DUS-694 .....	3-130	V VI-2 .....	3-227
DUS-700 .....	3-130	VPR-1 : suffix 18 or higher .....	3-228
DUS-706 .....	3-130	: For DVW-A500P, suffix 11 through 17 .....	3-243
DUS-708 .....	3-130	: For DVW-500P, suffix 11 through 17 .....	3-259
DUS-709 .....	3-131	VR-152 .....	3-275
DUS-710: For DM-89 board .....	3-131	VR-153 .....	3-276
: For VPR-1 board .....	3-131		
DUS-711 .....	3-131		
DUS-712 .....	3-131		
DUS-723 .....	3-132		
DUS-724 .....	3-132		
DUS-727 .....	3-132		
DUS-728 .....	3-132		
DUS-741 .....	3-132		
DUS-769 .....	3-132		
DUS-784 .....	3-133		
DUS-830 .....	3-133		
DUS-840 .....	3-133		
E EQ-45 : For DVW-500P, LOT No. 302 through 001 .....	3-134		
EQ-45A : For DVW-A500P/500P,			
LOT No. 002 or higher .....	3-144		
: For DVW-A500P, LOT No. 302 through 001 .....	3-155		
F FP-58 .....	3-166		
H HN-181 .....	3-167		
HN-184 .....	3-167		
HN-185 .....	3-168		
K KY-231 .....	3-168		
L LP-81 .....	3-171		
M MB-441 .....	3-171		

-----  
 AC-139/139B BOARD  
 -----

Ref. No. or Q'ty	Part No.	SP Description
1pc	A-8276-624-A	o MOUNTED CIRCUIT BOARD, AC-139
1pc	1-543-793-11	s FILTER, CLAMP
C001	Δ 1-136-212-12	s FILM 0.1uF 20% 250V
C002	Δ 1-161-740-00	s CERAMIC 470pF 10% 400V
C003	Δ 1-161-740-00	s CERAMIC 470pF 10% 400V
C004	Δ 1-161-740-00	s CERAMIC 470pF 10% 400V
C006	Δ 1-161-740-00	s CERAMIC 470pF 10% 400V
C007	Δ 1-161-740-00	s CERAMIC 470pF 10% 400V
CN001	Δ 1-564-241-11	o CONNECTOR, VH 4P, MALE
CN002	Δ 1-564-215-11	o CONNECTOR, VH 4P, MALE
CN003	Δ 1-580-375-11	s INLET, AC 3P, MALE
L001	Δ 1-424-582-21	s COIL, CHOKE
L002	Δ 1-424-582-21	s COIL, CHOKE
R001	1-202-884-11	s SOLID 820K 20% 1/2W

-----  
 AP-28 BOARD for DVW-A500P/A510P/CA510P  
 -----

Ref. No. or Q'ty	Part No.	SP Description
1pc	A-8275-086-A	o MOUNTED CIRCUIT BOARD, AP-28P
1pc	3-171-455-01	o PLATE (S), SHIELD, CARD
1pc	3-171-456-02	o SHEET (S), CARD
1pc	3-179-084-01	s LEVER (R), PC BOARD
1pc	3-179-085-01	s LEVER (L), PC BOARD
4pcs	7-682-902-11	s SCREW +PWH 2.6x5
C101-106	1-130-487-00	s MYLAR 0.022uF 5% 50V
C107	1-163-235-11	s CERAMIC, CHIP 22pF 5% 50V (2125)
C108	1-130-473-00	s FILM 0.0015uF 5% 50V
C110	1-126-933-11	s ELECT 100uF 20% 16V
C111	1-126-933-11	s ELECT 100uF 20% 16V
C112	1-126-947-11	s ELECT 47uF 20% 35V
C113	1-130-493-00	s MYLAR 0.068uF 5% 50V
C114	1-126-964-11	s ELECT 10uF 20% 50V
C115	1-126-964-11	s ELECT 10uF 20% 50V
C116	1-163-243-11	s CERAMIC, CHIP 47pF 5% 50V (2125)
C117	1-126-964-11	s ELECT 10uF 20% 50V
C118	1-163-125-00	s CERAMIC, CHIP 220pF 5% 50V (2125)
C119	1-163-263-11	s CERAMIC, CHIP 330pF 5% 50V (2125)
C120	1-163-125-00	s CERAMIC, CHIP 220pF 5% 50V (2125)
C121	1-163-137-00	s CERAMIC, CHIP 680pF 5% 50V (2125)
C122	1-163-139-00	s CERAMIC, CHIP 820pF 5% 50V (2125)
C123	1-104-543-11	s FILM, CHIP 0.0022uF 5% 50V (2125)
*1	1-130-475-00	s MYLAR 0.0022uF 5% 50V
C124	1-163-113-00	s CERAMIC, CHIP 68pF 5% 50V (2125)
C201-206	1-130-487-00	s MYLAR 0.022uF 5% 50V
C207	1-163-235-11	s CERAMIC, CHIP 22pF 5% 50V (2125)
C208	1-130-473-00	s FILM 0.0015uF 5% 50V
C212	1-126-947-11	s ELECT 47uF 20% 35V
C213	1-130-493-00	s MYLAR 0.068uF 5% 50V
C214	1-126-964-11	s ELECT 10uF 20% 50V
C215	1-126-964-11	s ELECT 10uF 20% 50V
C216	1-163-243-11	s CERAMIC, CHIP 47pF 5% 50V (2125)
C217	1-126-964-11	s ELECT 10uF 20% 50V
C218	1-163-125-00	s CERAMIC, CHIP 220pF 5% 50V (2125)
C219	1-163-263-11	s CERAMIC, CHIP 330pF 5% 50V (2125)
C220	1-163-125-00	s CERAMIC, CHIP 220pF 5% 50V (2125)
C221	1-163-137-00	s CERAMIC, CHIP 680pF 5% 50V (2125)
C222	1-163-139-00	s CERAMIC, CHIP 820pF 5% 50V (2125)
C223	1-104-543-11	s FILM, CHIP 0.0022uF 5% 50V (2125)
*1	1-130-475-00	s MYLAR 0.0022uF 5% 50V
C224	1-163-113-00	s CERAMIC, CHIP 68pF 5% 50V (2125)
C301	1-163-037-11	s CERAMIC, CHIP 0.022uF 10% 25V (2125)
C302	1-163-037-11	s CERAMIC, CHIP 0.022uF 10% 25V (2125)
C302	1-163-037-11	s CERAMIC, CHIP 0.022uF 10% 25V (2125)
C312	1-163-251-11	s CERAMIC, CHIP 100pF 5% 50V (2125)
C313	1-163-137-00	s CERAMIC, CHIP 680pF 5% 50V (2125)
C315	1-163-243-11	s CERAMIC, CHIP 47pF 5% 50V (2125)
C316	1-163-263-11	s CERAMIC, CHIP 330pF 5% 50V (2125)
C317	1-163-035-00	s CERAMIC, CHIP 0.047uF 50V (2125)
C318	1-163-035-00	s CERAMIC, CHIP 0.047uF 50V (2125)
C319	1-126-964-11	s ELECT 10uF 20% 50V
C320	1-163-113-00	s CERAMIC, CHIP 68pF 5% 50V (2125)
C321	1-135-216-11	s TANTALUM, CHIP 10uF 20% 10V
C322	1-163-251-11	s CERAMIC, CHIP 100pF 5% 50V (2125)

-----  
 \*1: Board No. suffix 11 only

Ref. No. or Q'ty	Part No.	SP Description
C323	1-126-933-11	s ELECT 100uF 20% 16V
C325	1-135-216-11	s TANTALUM, CHIP 10uF 20% 10V
C326	1-163-037-11	s CERAMIC, CHIP 0.022uF 10% 25V
C327	1-163-263-11	s CERAMIC, CHIP 330pF 5% 50V (2125)
C328	1-163-113-00	s CERAMIC, CHIP 68pF 5% 50V (2125)
C329	1-126-933-11	s ELECT 100uF 20% 16V
C330	1-163-133-00	s CERAMIC, CHIP 470pF 5% 50V (2125)
C331	1-163-037-11	s CERAMIC, CHIP 0.022uF 10% 25V
C332	1-163-237-11	s CERAMIC, CHIP 27pF 5% 50V (2125)
C333	1-126-964-11	s ELECT 10uF 20% 50V
C335	1-163-037-11	s CERAMIC, CHIP 0.022uF 10% 25V
C336	1-163-037-11	s CERAMIC, CHIP 0.022uF 10% 25V
C337	1-163-037-11	s CERAMIC, CHIP 0.022uF 10% 25V
C338	1-163-038-00	s CERAMIC, CHIP 0.1uF 25V (2125)
C339	1-163-038-00	s CERAMIC, CHIP 0.1uF 25V (2125)
C340	1-126-964-11	s ELECT 10uF 20% 50V
C341	1-126-964-11	s ELECT 10uF 20% 50V
C342	1-163-037-11	s CERAMIC, CHIP 0.022uF 10% 25V
C343	1-163-038-00	s CERAMIC, CHIP 0.1uF 25V (2125)
C344	1-163-037-11	s CERAMIC, CHIP 0.022uF 10% 25V
C345	1-163-038-00	s CERAMIC, CHIP 0.1uF 25V (2125)
C346	1-163-037-11	s CERAMIC, CHIP 0.022uF 10% 25V
C347	1-163-037-11	s CERAMIC, CHIP 0.022uF 10% 25V
C348	1-126-964-11	s ELECT 10uF 20% 50V
C349	1-126-964-11	s ELECT 10uF 20% 50V
C350	1-126-933-11	s ELECT 100uF 20% 16V
C351	1-126-933-11	s ELECT 100uF 20% 16V
C352-356	1-163-037-11	s CERAMIC, CHIP 0.022uF 10% 25V
C358	1-163-037-11	s CERAMIC, CHIP 0.022uF 10% 25V
C359	1-163-037-11	s CERAMIC, CHIP 0.022uF 10% 25V
C374	1-163-037-11	s CERAMIC, CHIP 0.022uF 10% 25V
C375	1-163-251-11	s CERAMIC, CHIP 100pF 5% 50V (2125)
C401	1-163-037-11	s CERAMIC, CHIP 0.022uF 10% 25V
C405	1-163-035-00	s CERAMIC, CHIP 0.047uF 50V (2125)
C406	1-163-035-00	s CERAMIC, CHIP 0.047uF 50V (2125)
C409	1-163-137-00	s CERAMIC, CHIP 680pF 5% 50V (2125)
C411	1-164-232-11	s CERAMIC, CHIP 0.01uF 10% 100V
C413	1-163-035-00	s CERAMIC, CHIP 0.047uF 50V (2125)
C421	1-163-035-00	s CERAMIC, CHIP 0.047uF 50V (2125)
C422	1-163-035-00	s CERAMIC, CHIP 0.047uF 50V (2125)
C423	1-135-072-21	s TANTALUM, CHIP 0.22uF 10% 35V
C424	1-163-035-00	s CERAMIC, CHIP 0.047uF 50V (2125)
C431	1-164-161-11	s CERAMIC, CHIP 2200pF 10% 100V
C432	1-135-180-21	s TANTALUM, CHIP 3.3uF 10% 10V
*1*2	1-131-350-00	s TANTALUM 3.3uF 10% 35V
C451	1-163-037-11	s CERAMIC, CHIP 0.022uF 10% 25V
C455	1-163-035-00	s CERAMIC, CHIP 0.047uF 50V (2125)
C456	1-163-035-00	s CERAMIC, CHIP 0.047uF 50V (2125)
C459	1-163-137-00	s CERAMIC, CHIP 680pF 5% 50V (2125)
C461	1-135-072-21	s TANTALUM, CHIP 0.22uF 10% 35V
C463	1-163-035-00	s CERAMIC, CHIP 0.047uF 50V (2125)
C464	1-163-125-00	s CERAMIC, CHIP 220pF 5% 50V (2125)
C473	1-135-072-21	s TANTALUM, CHIP 0.22uF 10% 35V
C474	1-163-035-00	s CERAMIC, CHIP 0.047uF 50V (2125)
C501	1-163-035-00	s CERAMIC, CHIP 0.047uF 50V (2125)
C502	1-163-035-00	s CERAMIC, CHIP 0.047uF 50V (2125)

Ref. No. or Q'ty	Part No.	SP Description
C503	1-126-947-11	s ELECT 47uF 20% 35V
C504	1-104-543-11	s FILM, CHIP 0.0022uF 5% 50V (2125)
C505	1-104-544-11	s FILM, CHIP 0.0027uF 5% 50V (2125)
C506	1-163-121-00	s CERAMIC, CHIP 150pF 5% 50V (2125)
C507	1-164-161-11	s CERAMIC, CHIP 2200pF 10% 100V (2125)
C508	1-124-903-11	s ELECT 1.0uF 20% 50V
C509	1-126-111-11	s ELECT 3.3uF 20% 100V
C510	1-163-035-00	s CERAMIC, CHIP 0.047uF 50V (2125)
C511	1-163-135-00	s CERAMIC, CHIP 560pF 5% 50V (2125)
C512	1-163-133-00	s CERAMIC, CHIP 470pF 5% 50V (2125)
C513	1-163-017-00	s CERAMIC, CHIP 4700pF 10% 50V (2125)
C514	1-164-232-11	s CERAMIC, CHIP 0.01uF 10% 100V (2125)
C515	1-126-947-11	s ELECT 47uF 20% 35V
C516	1-126-947-11	s ELECT 47uF 20% 35V
C517	1-104-543-11	s FILM, CHIP 0.0022uF 5% 50V (2125)
C518	1-104-544-11	s FILM, CHIP 0.0027uF 5% 50V (2125)
C519	1-163-121-00	s CERAMIC, CHIP 150pF 5% 50V (2125)
C520	1-164-161-11	s CERAMIC, CHIP 2200pF 10% 100V (2125)
C521	1-124-903-11	s ELECT 1.0uF 20% 50V
C522	1-126-111-11	s ELECT 3.3uF 20% 100V
C523	1-163-035-00	s CERAMIC, CHIP 0.047uF 50V (2125)
C524	1-163-135-00	s CERAMIC, CHIP 560pF 5% 50V (2125)
C525	1-163-133-00	s CERAMIC, CHIP 470pF 5% 50V (2125)
C526	1-163-017-00	s CERAMIC, CHIP 4700pF 10% 50V (2125)
C527	1-164-232-11	s CERAMIC, CHIP 0.01uF 10% 100V (2125)
C528	1-126-947-11	s ELECT 47uF 20% 35V
C529	1-126-964-11	s ELECT 10uF 20% 50V
C530	1-126-964-11	s ELECT 10uF 20% 50V
C531	1-163-037-11	s CERAMIC, CHIP 0.022uF 10% 25V (2125)
C532	1-163-037-11	s CERAMIC, CHIP 0.022uF 10% 25V (2125)
C533	1-163-227-11	s CERAMIC, CHIP 10pF 5% 50V (2125)
C534	1-126-947-11	s ELECT 47uF 20% 35V
C535	1-126-947-11	s ELECT 47uF 20% 35V
C601	1-163-035-00	s CERAMIC, CHIP 0.047uF 50V (2125)
C602	1-163-035-00	s CERAMIC, CHIP 0.047uF 50V (2125)
C603	1-126-947-11	s ELECT 47uF 20% 35V
C604	1-104-543-11	s FILM, CHIP 0.0022uF 5% 50V (2125)
C605	1-104-544-11	s FILM, CHIP 0.0027uF 5% 50V (2125)
C606	1-163-121-00	s CERAMIC, CHIP 150pF 5% 50V (2125)
C607	1-164-161-11	s CERAMIC, CHIP 2200pF 10% 100V (2125)
C608	1-124-903-11	s ELECT 1.0uF 20% 50V
C609	1-126-111-11	s ELECT 3.3uF 20% 100V
C610	1-163-035-00	s CERAMIC, CHIP 0.047uF 50V (2125)
C611	1-163-135-00	s CERAMIC, CHIP 560pF 5% 50V (2125)
C612	1-163-133-00	s CERAMIC, CHIP 470pF 5% 50V (2125)
C613	1-163-017-00	s CERAMIC, CHIP 4700pF 10% 50V (2125)
C614	1-164-232-11	s CERAMIC, CHIP 0.01uF 10% 100V (2125)
C615	1-126-947-11	s ELECT 47uF 20% 35V
C616	1-126-947-11	s ELECT 47uF 20% 35V
C617	1-104-543-11	s FILM, CHIP 0.0022uF 5% 50V (2125)
C618	1-104-544-11	s FILM, CHIP 0.0027uF 5% 50V (2125)
C619	1-163-121-00	s CERAMIC, CHIP 150pF 5% 50V (2125)
C620	1-164-161-11	s CERAMIC, CHIP 2200pF 10% 100V (2125)
C621	1-124-903-11	s ELECT 1.0uF 20% 50V
C622	1-126-111-11	s ELECT 3.3uF 20% 100V
C623	1-163-035-00	s CERAMIC, CHIP 0.047uF 50V (2125)

\*1: Board No. suffix 11 only

\*2: Board No. suffix 12 only

(AP-28 BOARD for DVW-A500P/A510P/CA510P)

(AP-28 BOARD for DVW-A500P/A510P/CA510P)

Ref. No. or Q'ty	Part No.	SP	Description
C624	1-163-135-00	s	CERAMIC, CHIP 560pF 5% 50V (2125)
C625	1-163-133-00	s	CERAMIC, CHIP 470pF 5% 50V (2125)
C626	1-163-017-00	s	CERAMIC, CHIP 4700pF 10% 50V
C627	1-164-232-11	s	CERAMIC, CHIP 0.01uF 10% 100V
C628	1-126-947-11	s	ELECT 47uF 20% 35V
C629	1-126-964-11	s	ELECT 10uF 20% 50V
C630	1-126-964-11	s	ELECT 10uF 20% 50V
C631	1-163-037-11	s	CERAMIC, CHIP 0.022uF 10% 25V
C632	1-163-037-11	s	CERAMIC, CHIP 0.022uF 10% 25V
C633	1-163-227-11	s	CERAMIC, CHIP 10pF 5% 50V (2125)
C634	1-163-137-00	s	CERAMIC, CHIP 680pF 5% 50V (2125)
C701	1-126-933-11	s	ELECT 100uF 20% 16V
C702	1-126-933-11	s	ELECT 100uF 20% 16V
C703	1-163-037-11	s	CERAMIC, CHIP 0.022uF 10% 25V
C711	1-126-933-11	s	ELECT 100uF 20% 16V
C712	1-126-947-11	s	ELECT 47uF 20% 35V
C713	1-130-490-11	s	MYLAR 0.039uF 5% 50V
C714	1-163-125-00	s	CERAMIC, CHIP 220pF 5% 50V (2125)
C715	1-126-947-11	s	ELECT 47uF 20% 35V
C716	1-163-017-00	s	CERAMIC, CHIP 4700pF 10% 50V
C717	1-163-222-11	s	CERAMIC, CHIP 5pF 50V (2125)
C718	1-135-215-21	s	TANTALUM, CHIP 6.8uF 10% 16V
C719	1-130-482-11	s	MYLAR 0.0082uF 5% 50V
C720	1-163-137-00	s	CERAMIC, CHIP 680pF 5% 50V (2125)
C721	1-135-216-11	s	TANTALUM, CHIP 10uF 20% 10V
C722	1-135-072-21	s	TANTALUM, CHIP 0.22uF 10% 35V
C731	1-126-964-11	s	ELECT 10uF 20% 50V
C732	1-163-227-11	s	CERAMIC, CHIP 10pF 5% 50V (2125)
C733	1-126-964-11	s	ELECT 10uF 20% 50V
C734	1-126-964-11	s	ELECT 10uF 20% 50V
C761	1-126-933-11	s	ELECT 100uF 20% 16V
C762	1-126-947-11	s	ELECT 47uF 20% 35V
C763	1-130-490-11	s	MYLAR 0.039uF 5% 50V
C764	1-163-125-00	s	CERAMIC, CHIP 220pF 5% 50V (2125)
C765	1-126-947-11	s	ELECT 47uF 20% 35V
C766	1-163-017-00	s	CERAMIC, CHIP 4700pF 10% 50V
C767	1-163-222-11	s	CERAMIC, CHIP 5pF 50V (2125)
C768	1-135-215-21	s	TANTALUM, CHIP 6.8uF 10% 16V
C769	1-130-482-11	s	MYLAR 0.0082uF 5% 50V
C770	1-163-137-00	s	CERAMIC, CHIP 680pF 5% 50V (2125)
C771	1-135-216-11	s	TANTALUM, CHIP 10uF 20% 10V
C772	1-135-072-21	s	TANTALUM, CHIP 0.22uF 10% 35V
C781	1-126-964-11	s	ELECT 10uF 20% 50V
C782	1-163-227-11	s	CERAMIC, CHIP 10pF 5% 50V (2125)
C783	1-126-964-11	s	ELECT 10uF 20% 50V
C784	1-126-964-11	s	ELECT 10uF 20% 50V
C801	1-126-964-11	s	ELECT 10uF 20% 50V
C802	1-126-964-11	s	ELECT 10uF 20% 50V
C803	1-163-037-11	s	CERAMIC, CHIP 0.022uF 10% 25V
C804	1-163-037-11	s	CERAMIC, CHIP 0.022uF 10% 25V
C805	1-126-933-11	s	ELECT 100uF 20% 16V
C806	1-126-933-11	s	ELECT 100uF 20% 16V
C811	1-126-964-11	s	ELECT 10uF 20% 50V
C812	1-126-964-11	s	ELECT 10uF 20% 50V
C813	1-163-037-11	s	CERAMIC, CHIP 0.022uF 10% 25V
C814	1-163-037-11	s	CERAMIC, CHIP 0.022uF 10% 25V

Ref. No. or Q'ty	Part No.	SP	Description
C815	1-126-933-11	s	ELECT 100uF 20% 16V
C816	1-126-933-11	s	ELECT 100uF 20% 16V
C821	1-126-964-11	s	ELECT 10uF 20% 50V
C822	1-126-964-11	s	ELECT 10uF 20% 50V
C823	1-163-037-11	s	CERAMIC, CHIP 0.022uF 10% 25V (2125)
C824	1-163-037-11	s	CERAMIC, CHIP 0.022uF 10% 25V (2125)
C825	1-126-933-11	s	ELECT 100uF 20% 16V
C826	1-126-933-11	s	ELECT 100uF 20% 16V
C831	1-126-964-11	s	ELECT 10uF 20% 50V
C832	1-126-933-11	s	ELECT 100uF 20% 16V
C833	1-163-037-11	s	CERAMIC, CHIP 0.022uF 10% 25V (2125)
C851	1-126-964-11	s	ELECT 10uF 20% 50V
C852	1-126-964-11	s	ELECT 10uF 20% 50V
C853	1-163-037-11	s	CERAMIC, CHIP 0.022uF 10% 25V (2125)
C854	1-163-037-11	s	CERAMIC, CHIP 0.022uF 10% 25V (2125)
C855	1-126-933-11	s	ELECT 100uF 20% 16V
C856	1-126-933-11	s	ELECT 100uF 20% 16V
C871	1-163-037-11	s	CERAMIC, CHIP 0.022uF 10% 25V (2125)
C872	1-163-037-11	s	CERAMIC, CHIP 0.022uF 10% 25V (2125)
C873	1-126-933-11	s	ELECT 100uF 20% 16V
C874	1-126-933-11	s	ELECT 100uF 20% 16V
C904	1-163-037-11	s	CERAMIC, CHIP 0.022uF 10% 25V (2125)
C922	1-163-037-11	s	CERAMIC, CHIP 0.022uF 10% 25V (2125)
C923	1-163-037-11	s	CERAMIC, CHIP 0.022uF 10% 25V (2125)
C951	1-164-232-11	s	CERAMIC, CHIP 0.01uF 10% 100V (2125)
C952	1-164-232-11	s	CERAMIC, CHIP 0.01uF 10% 100V (2125)
C953	1-163-037-11	s	CERAMIC, CHIP 0.022uF 10% 25V (2125)
C954	1-163-037-11	s	CERAMIC, CHIP 0.022uF 10% 25V (2125)
CN104	1-750-795-21	s	CONNECTOR, PHEC 120P, MALE
D301	8-719-941-23	s	DIODE DA204U
D302	8-719-821-39	s	DIODE 1SV160
D303	8-719-941-23	s	DIODE DA204U
D304(*2)	8-719-911-19	s	DIODE 1SS119
D401	8-719-404-35	s	DIODE MA141WK
D431	8-719-404-35	s	DIODE MA141WK
D501	8-719-941-23	s	DIODE DA204U
D502	8-719-941-23	s	DIODE DA204U
D551	8-719-024-81	s	DIODE 1SS300
D601	8-719-941-23	s	DIODE DA204U
D602	8-719-941-23	s	DIODE DA204U
D921	8-719-024-81	s	DIODE 1SS300
*2	8-719-941-23	s	DIODE DA204U
*1	8-719-911-19	s	DIODE 1SS119
D951	8-719-404-35	s	DIODE MA141WK
FL301	1-239-062-11	s	FILTER, LOW-PASS
FL401	1-239-062-11	s	FILTER, LOW-PASS
FL402	1-236-015-11	s	FILTER, BANDPASS 540 kHz
FL451	1-239-062-11	s	FILTER, LOW-PASS
FL501	1-236-012-11	s	FILTER, BANDPASS 310 kHz
FL502	1-236-012-11	s	FILTER, BANDPASS 310 kHz
FL503	1-236-003-11	s	FILTER, LOW-PASS
FL601	1-236-013-11	s	FILTER, BANDPASS 540 kHz
FL602	1-236-013-11	s	FILTER, BANDPASS 540 kHz
IC101	8-759-106-02	s	IC UPC4570G2

\*1: Board No. suffix 11 only

\*2: Board No. suffix 12 only

(\*?): Some Mounted circuit boards within specified "\*?"

## (AP-28 BOARD for DVW-A500P/A510P/CA510P)

Ref. No. or Q'ty	Part No.	SP Description
IC102	8-759-106-02	s IC UPC4570G2
IC103	8-759-106-02	s IC UPC4570G2
IC105	8-741-164-50	s IC SBX1645-01
IC106	8-759-908-17	s IC TL082CPS
IC107	8-759-106-02	s IC UPC4570G2
IC108	8-759-106-02	s IC UPC4570G2
IC110	8-759-106-02	s IC UPC4570G2
IC201	8-759-106-02	s IC UPC4570G2
IC202	8-759-106-02	s IC UPC4570G2
IC203	8-759-106-02	s IC UPC4570G2
IC207	8-759-106-02	s IC UPC4570G2
IC208	8-759-106-02	s IC UPC4570G2
IC302	8-759-008-37	s IC MC74HC4050F
IC303	8-759-239-55	s IC TC74HC123AF
IC304	8-759-008-67	s IC MC14066BF
IC305	*6 8-759-142-20	s IC UPC4062G2
	*5 8-759-908-17	s IC TL082CPS
IC307	8-759-908-17	s IC TL082CPS
IC308	8-752-334-55	s IC CXD1175M
IC309	8-759-243-19	s IC TC7SU04F
IC310	8-759-031-84	s IC SC7S04F
IC311	8-759-672-86	s IC MM74HC157SJK
IC312	8-752-356-37	s IC CXD102-128Q
IC313	8-752-340-75	s IC CXK1206AM
IC314	8-752-334-64	s IC CXD1171M
IC315	8-752-334-64	s IC CXD1171M
IC372	8-759-491-32	s IC TC74VHCT04AF(EL)
IC402	8-759-093-04	s IC AN3920S
IC403	8-759-093-04	s IC AN3920S
IC404	8-759-908-17	s IC TL082CPS
IC406	8-759-925-05	s IC LM2903PS
IC431	8-759-038-46	s IC SC7S00F
IC501	8-759-093-06	s IC AN3922S
IC502	8-759-093-06	s IC AN3922S
IC503	8-759-300-71	s IC HD14053BFP
IC504	8-759-106-02	s IC UPC4570G2
IC601	8-759-093-06	s IC AN3922S
IC602	8-759-093-06	s IC AN3922S
IC603	8-759-300-71	s IC HD14053BFP
IC701	8-752-009-90	s IC CX20099
IC702	8-759-106-02	s IC UPC4570G2
IC801	8-759-052-52	s IC L78M05T-FA
IC802	8-759-700-65	s IC NJM79L05A
IC803	8-759-052-52	s IC L78M05T-FA
IC804	8-759-700-65	s IC NJM79L05A
IC805	8-759-239-14	s IC TA78L05S
IC806	8-759-700-65	s IC NJM79L05A
IC811	8-759-170-73	s IC TA78L12S
IC812	8-759-700-69	s IC NJM79L12A
IC813	8-759-239-14	s IC TA78L05S
IC814	8-759-700-65	s IC NJM79L05A
IC901	8-759-038-46	s IC SC7S00F
IC921	8-759-925-05	s IC LM2903PS
IC923	8-759-908-17	s IC TL082CPS
IC951	8-759-239-55	s IC TC74HC123AF
IC952	8-759-673-54	s IC MM74HC74ASJK

## (AP-28 BOARD for DVW-A500P/A510P/CA510P)

Ref. No. or Q'ty	Part No.	SP Description
L301-306	1-408-978-21	s INDUCTOR 47uH
L320	1-410-470-11	s INDUCTOR 10uH
L501	1-410-116-11	s INDUCTOR 560uH
L502	1-410-064-11	s INDUCTOR 2.7mH
L503	1-410-116-11	s INDUCTOR 560uH
L504	1-410-064-11	s INDUCTOR 2.7mH
L601	1-410-116-11	s INDUCTOR 560uH
L602	1-410-064-11	s INDUCTOR 2.7mH
L603	1-410-116-11	s INDUCTOR 560uH
L604	1-410-064-11	s INDUCTOR 2.7mH
L801	1-412-533-21	s INDUCTOR 47uH
LV301	1-406-746-11	s INDUCTOR, VAR 22uH
Q201	8-729-905-18	s TRANSISTOR DTC144EU
Q301	8-729-117-32	s TRANSISTOR 2SC4177-L6
Q302	8-729-143-07	s TRANSISTOR 2SA1610-Y33
Q303	8-729-143-07	s TRANSISTOR 2SA1610-Y33
Q304	8-729-117-32	s TRANSISTOR 2SC4177-L6
Q305	8-729-140-63	s TRANSISTOR 2SA1611-M5M6
Q306	8-729-117-32	s TRANSISTOR 2SC4177-L6
Q372	8-729-140-63	s TRANSISTOR 2SA1611-M5M6
Q401	8-729-117-32	s TRANSISTOR 2SC4177-L6
Q402	8-729-140-63	s TRANSISTOR 2SA1611-M5M6
Q421	8-729-117-32	s TRANSISTOR 2SC4177-L6
Q431	8-729-905-18	s TRANSISTOR DTC144EU
Q432	8-729-117-32	s TRANSISTOR 2SC4177-L6
Q433	8-729-140-63	s TRANSISTOR 2SA1611-M5M6
Q451	8-729-117-32	s TRANSISTOR 2SC4177-L6
Q452	8-729-140-63	s TRANSISTOR 2SA1611-M5M6
Q731	8-729-209-07	s TRANSISTOR 2SC4213-B
Q781	8-729-209-07	s TRANSISTOR 2SC4213-B
Q901	8-729-905-18	s TRANSISTOR DTC144EU
R101	1-216-662-11	s METAL, CHIP 3.0K 0.5% 1/10W (2125)
R102	1-216-662-11	s METAL, CHIP 3.0K 0.5% 1/10W (2125)
R103	1-208-803-11	s METAL, CHIP 7.5K 0.5% 1/10W (2125)
R104	1-208-803-11	s METAL, CHIP 7.5K 0.5% 1/10W (2125)
R105	1-216-691-11	s METAL, CHIP 47K 0.5% 1/10W (2125)
R106	1-216-675-11	s METAL, CHIP 10K 0.5% 1/10W (2125)
R107	1-216-699-11	s METAL, CHIP 100K 0.5% 1/10W (2125)
R108	1-216-687-11	s METAL, CHIP 33K 0.5% 1/10W (2125)
R109	1-218-756-11	s METAL, CHIP 150K 0.5% 1/10W (2125)
R110	1-216-662-11	s METAL, CHIP 3.0K 0.5% 1/10W (2125)
R111	1-218-762-11	s METAL, CHIP 270K 0.5% 1/10W (2125)
R112	1-216-689-11	s METAL, CHIP 39K 0.5% 1/10W (2125)
R113	1-208-814-11	s METAL, CHIP 22K 0.5% 1/10W (2125)
R114	1-216-097-00	s METAL, CHIP 100K 5% 1/10W (2125)
R115	1-218-764-11	s METAL, CHIP 330K 0.5% 1/10W (2125)
R116	1-218-758-11	s METAL, CHIP 180K 0.5% 1/10W (2125)
R117	1-216-675-11	s METAL, CHIP 10K 0.5% 1/10W (2125)
R118	1-208-814-11	s METAL, CHIP 22K 0.5% 1/10W (2125)
R119	1-216-675-11	s METAL, CHIP 10K 0.5% 1/10W (2125)
R120	1-216-659-11	s METAL, CHIP 2.2K 0.5% 1/10W (2125)
R121	1-216-675-11	s METAL, CHIP 10K 0.5% 1/10W (2125)
R122	1-216-081-00	s METAL, CHIP 22K 5% 1/10W (2125)
R123-127	1-216-675-11	s METAL, CHIP 10K 0.5% 1/10W (2125)
R130	1-216-675-11	s METAL, CHIP 10K 0.5% 1/10W (2125)

\*5: LOT No. 302 through 124

\*6: LOT No. 131 or higher



## (AP-28 BOARD for DVW-A500P/A510P/CA510P)

Ref. No. or Q'ty	Part No.	SP	Description
R132	1-216-675-11	s	METAL, CHIP 10K 0.5% 1/10W (2125)
R133	1-216-667-11	s	METAL, CHIP 4.7K 0.5% 1/10W
R135	1-216-675-11	s	METAL, CHIP 10K 0.5% 1/10W (2125)
R136	1-216-659-11	s	METAL, CHIP 2.2K 0.5% 1/10W
R137	1-216-663-11	s	METAL, CHIP 3.3K 0.5% 1/10W
R138	1-216-081-00	s	METAL, CHIP 22K 5% 1/10W (2125)
R201	1-216-662-11	s	METAL, CHIP 3.0K 0.5% 1/10W
R202	1-216-662-11	s	METAL, CHIP 3.0K 0.5% 1/10W
R203	1-208-803-11	s	METAL, CHIP 7.5K 0.5% 1/10W
R204	1-208-803-11	s	METAL, CHIP 7.5K 0.5% 1/10W
R205	1-216-691-11	s	METAL, CHIP 47K 0.5% 1/10W (2125)
R206	1-216-675-11	s	METAL, CHIP 10K 0.5% 1/10W (2125)
R207	1-218-767-11	s	METAL, CHIP 430K 0.5% 1/10W
R208	1-216-691-11	s	METAL, CHIP 47K 0.5% 1/10W (2125)
R209	1-216-049-00	s	METAL, CHIP 1.0K 5% 1/10W (2125)
R210	1-216-662-11	s	METAL, CHIP 3.0K 0.5% 1/10W
R211	1-218-762-11	s	METAL, CHIP 270K 0.5% 1/10W
R212	1-216-684-11	s	METAL, CHIP 24K 0.5% 1/10W (2125)
R213	1-208-814-11	s	METAL, CHIP 22K 0.5% 1/10W (2125)
R214	1-218-762-11	s	METAL, CHIP 270K 0.5% 1/10W
R215	1-218-762-11	s	METAL, CHIP 270K 0.5% 1/10W
R216	1-218-758-11	s	METAL, CHIP 180K 0.5% 1/10W
R217	1-216-675-11	s	METAL, CHIP 10K 0.5% 1/10W (2125)
R218	1-208-814-11	s	METAL, CHIP 22K 0.5% 1/10W (2125)
R219	1-216-675-11	s	METAL, CHIP 10K 0.5% 1/10W (2125)
R221	1-216-675-11	s	METAL, CHIP 10K 0.5% 1/10W (2125)
R222	1-208-814-11	s	METAL, CHIP 22K 0.5% 1/10W (2125)
R223-227	1-216-675-11	s	METAL, CHIP 10K 0.5% 1/10W (2125)
R230	1-216-675-11	s	METAL, CHIP 10K 0.5% 1/10W (2125)
R231	1-216-073-00	s	METAL, CHIP 10K 5% 1/10W (2125)
R232	1-216-073-00	s	METAL, CHIP 10K 5% 1/10W (2125)
R233	1-216-667-11	s	METAL, CHIP 4.7K 0.5% 1/10W
R235	1-216-675-11	s	METAL, CHIP 10K 0.5% 1/10W (2125)
R236	1-216-057-00	s	METAL, CHIP 2.2K 5% 1/10W (2125)
R237	1-216-663-11	s	METAL, CHIP 3.3K 0.5% 1/10W
R238	1-216-081-00	s	METAL, CHIP 22K 5% 1/10W (2125)
R301	1-216-025-00	s	METAL, CHIP 100 5% 1/10W (2125)
R302	1-216-057-00	s	METAL, CHIP 2.2K 5% 1/10W (2125)
R303	1-216-667-11	s	METAL, CHIP 4.7K 0.5% 1/10W
R304	1-216-651-11	s	METAL, CHIP 1.0K 0.5% 1/10W
R305	1-216-651-11	s	METAL, CHIP 1.0K 0.5% 1/10W
R307-312	1-216-089-00	s	METAL, CHIP 47K 5% 1/10W (2125)
R313	1-208-774-11	s	METAL, CHIP 470 0.5% 1/10W (2125)
R314	1-208-800-11	s	METAL, CHIP 5.6K 0.5% 1/10W
R315	1-216-671-11	s	METAL, CHIP 6.8K 0.5% 1/10W
R316	1-208-774-11	s	METAL, CHIP 470 0.5% 1/10W (2125)
R317	1-216-659-11	s	METAL, CHIP 2.2K 0.5% 1/10W
R318	1-216-041-00	s	METAL, CHIP 470 5% 1/10W (2125)
R319	1-216-061-00	s	METAL, CHIP 3.3K 5% 1/10W (2125)
R320	1-216-013-00	s	METAL, CHIP 33 5% 1/10W (2125)
R321	1-216-057-00	s	METAL, CHIP 2.2K 5% 1/10W (2125)
R322	1-216-053-00	s	METAL, CHIP 1.5K 5% 1/10W (2125)
R324	1-216-663-11	s	METAL, CHIP 3.3K 0.5% 1/10W
R325	1-208-774-11	s	METAL, CHIP 470 0.5% 1/10W (2125)
R326	1-216-659-11	s	METAL, CHIP 2.2K 0.5% 1/10W
R327	1-216-634-11	s	METAL, CHIP 200 0.5% 1/10W (2125)

## (AP-28 BOARD for DVW-A500P/A510P/CA510P)

Ref. No. or Q'ty	Part No.	SP	Description
R328	1-208-814-11	s	METAL, CHIP 22K 0.5% 1/10W (2125)
R329	1-216-675-11	s	METAL, CHIP 10K 0.5% 1/10W (2125)
R330	1-216-627-11	s	METAL, CHIP 100 0.5% 1/10W (2125)
R331	1-216-659-11	s	METAL, CHIP 2.2K 0.5% 1/10W (2125)
R332	1-216-073-00	s	METAL, CHIP 10K 5% 1/10W (2125)
R333	1-216-033-00	s	METAL, CHIP 220 5% 1/10W (2125)
R334	1-216-663-11	s	METAL, CHIP 3.3K 0.5% 1/10W (2125)
R335	1-216-663-11	s	METAL, CHIP 3.3K 0.5% 1/10W (2125)
R336	1-216-061-00	s	METAL, CHIP 3.3K 5% 1/10W (2125)
R337	1-216-057-00	s	METAL, CHIP 2.2K 5% 1/10W (2125)
R338	1-216-675-11	s	METAL, CHIP 10K 0.5% 1/10W (2125)
R339	1-216-089-00	s	METAL, CHIP 47K 5% 1/10W (2125)
R361-367	1-216-049-00	s	METAL, CHIP 1.0K 5% 1/10W (2125)
R368	1-216-295-00	s	METAL, CHIP 0 (2125)
R380 *1	1-216-295-00	s	METAL, CHIP 0 (2125)
R381	1-216-073-00	s	METAL, CHIP 10K 5% 1/10W (2125)
R382	1-216-089-00	s	METAL, CHIP 47K 5% 1/10W (2125)
R383	1-216-025-00	s	METAL, CHIP 100 5% 1/10W (2125)
R402	1-216-634-11	s	METAL, CHIP 200 0.5% 1/10W (2125)
R403	1-216-065-00	s	METAL, CHIP 4.7K 5% 1/10W (2125)
R404	1-216-651-11	s	METAL, CHIP 1.0K 0.5% 1/10W (2125)
R405	1-216-651-11	s	METAL, CHIP 1.0K 0.5% 1/10W (2125)
R406	1-216-065-00	s	METAL, CHIP 4.7K 5% 1/10W (2125)
R407	1-216-651-11	s	METAL, CHIP 1.0K 0.5% 1/10W (2125)
R411	1-216-675-11	s	METAL, CHIP 10K 0.5% 1/10W (2125)
R412	1-216-073-00	s	METAL, CHIP 10K 5% 1/10W (2125)
R415	1-216-073-00	s	METAL, CHIP 10K 5% 1/10W (2125)
R417	1-216-049-00	s	METAL, CHIP 1.0K 5% 1/10W (2125)
R421	1-216-097-00	s	METAL, CHIP 100K 5% 1/10W (2125)
R422	1-216-057-00	s	METAL, CHIP 2.2K 5% 1/10W (2125)
R423	1-216-657-11	s	METAL, CHIP 1.8K 0.5% 1/10W (2125)
R424	1-216-659-11	s	METAL, CHIP 2.2K 0.5% 1/10W (2125)
R433	1-216-089-00	s	METAL, CHIP 47K 5% 1/10W (2125)
R434	1-216-101-00	s	METAL, CHIP 150K 5% 1/10W (2125)
R435	1-216-089-00	s	METAL, CHIP 47K 5% 1/10W (2125)
R436	1-216-041-00	s	METAL, CHIP 470 5% 1/10W (2125)
R437	1-216-073-00	s	METAL, CHIP 10K 5% 1/10W (2125)
R438	1-216-089-00	s	METAL, CHIP 47K 5% 1/10W (2125)
R439	1-216-049-00	s	METAL, CHIP 1.0K 5% 1/10W (2125)
R452	1-216-634-11	s	METAL, CHIP 200 0.5% 1/10W (2125)
R453	1-216-065-00	s	METAL, CHIP 4.7K 5% 1/10W (2125)
R454	1-216-651-11	s	METAL, CHIP 1.0K 0.5% 1/10W (2125)
R455	1-216-651-11	s	METAL, CHIP 1.0K 0.5% 1/10W (2125)
R456	1-216-065-00	s	METAL, CHIP 4.7K 5% 1/10W (2125)
R457	1-216-651-11	s	METAL, CHIP 1.0K 0.5% 1/10W (2125)
R461	1-216-675-11	s	METAL, CHIP 10K 0.5% 1/10W (2125)
R462	1-216-073-00	s	METAL, CHIP 10K 5% 1/10W (2125)
R465	1-216-073-00	s	METAL, CHIP 10K 5% 1/10W (2125)
R467	1-216-667-11	s	METAL, CHIP 4.7K 0.5% 1/10W (2125)
R468	1-216-639-11	s	METAL, CHIP 330 0.5% 1/10W (2125)
R471	1-216-025-00	s	METAL, CHIP 100 5% 1/10W (2125)
R472	1-216-025-00	s	METAL, CHIP 100 5% 1/10W (2125)
R473	1-216-675-11	s	METAL, CHIP 10K 0.5% 1/10W (2125)
R474	1-216-645-11	s	METAL, CHIP 560 0.5% 1/10W (2125)
R475	1-216-685-11	s	METAL, CHIP 27K 0.5% 1/10W (2125)
R476	1-216-676-11	s	METAL, CHIP 11K 0.5% 1/10W (2125)

\*1: Board No. suffix 11 only

## (AP-28 BOARD for DVW-A500P/A510P/CA510P)

Ref. No. or Q'ty	Part No.	SP Description
R481	1-208-814-11	s METAL, CHIP 22K 0.5% 1/10W (2125)
R482	1-216-687-11	s METAL, CHIP 33K 0.5% 1/10W (2125)
R483	1-216-685-11	s METAL, CHIP 27K 0.5% 1/10W (2125)
R484	1-216-689-11	s METAL, CHIP 39K 0.5% 1/10W (2125)
R485	1-216-687-11	s METAL, CHIP 33K 0.5% 1/10W (2125)
R486	1-216-073-00	s METAL, CHIP 10K 5% 1/10W (2125)
R487	1-216-107-00	s METAL, CHIP 270K 5% 1/10W (2125)
R488	1-216-057-00	s METAL, CHIP 2.2K 5% 1/10W (2125)
R489	1-216-097-00	s METAL, CHIP 100K 5% 1/10W (2125)
R490	1-216-073-00	s METAL, CHIP 10K 5% 1/10W (2125)
R501	1-216-657-11	s METAL, CHIP 1.8K 0.5% 1/10W
R502	1-216-657-11	s METAL, CHIP 1.8K 0.5% 1/10W
R503	1-216-661-11	s METAL, CHIP 2.7K 0.5% 1/10W
R504	1-216-661-11	s METAL, CHIP 2.7K 0.5% 1/10W
R505	1-216-649-11	s METAL, CHIP 820 0.5% 1/10W (2125)
R506	1-216-641-11	s METAL, CHIP 390 0.5% 1/10W (2125)
R507	1-218-753-11	s METAL, CHIP 110K 0.5% 1/10W
R508	1-216-676-11	s METAL, CHIP 11K 0.5% 1/10W (2125)
R509	1-216-646-11	s METAL, CHIP 620 0.5% 1/10W (2125)
R510	1-216-025-00	s METAL, CHIP 100 5% 1/10W (2125)
R511	1-216-075-00	s METAL, CHIP 12K 5% 1/10W (2125)
R512	1-216-691-11	s METAL, CHIP 47K 0.5% 1/10W (2125)
R513	1-216-057-00	s METAL, CHIP 2.2K 5% 1/10W (2125)
R514	1-216-659-11	s METAL, CHIP 2.2K 0.5% 1/10W
R515	1-216-105-00	s METAL, CHIP 220K 5% 1/10W (2125)
R516	1-216-649-11	s METAL, CHIP 820 0.5% 1/10W (2125)
R517	1-216-641-11	s METAL, CHIP 390 0.5% 1/10W (2125)
R518	1-218-753-11	s METAL, CHIP 110K 0.5% 1/10W
R519	1-216-025-00	s METAL, CHIP 100 5% 1/10W (2125)
R520	1-216-646-11	s METAL, CHIP 620 0.5% 1/10W (2125)
R521	1-216-676-11	s METAL, CHIP 11K 0.5% 1/10W (2125)
R522	1-216-075-00	s METAL, CHIP 12K 5% 1/10W (2125)
R523	1-216-691-11	s METAL, CHIP 47K 0.5% 1/10W (2125)
R524	1-216-057-00	s METAL, CHIP 2.2K 5% 1/10W (2125)
R525	1-216-659-11	s METAL, CHIP 2.2K 0.5% 1/10W
R526	1-216-105-00	s METAL, CHIP 220K 5% 1/10W (2125)
R527	1-216-655-11	s METAL, CHIP 1.5K 0.5% 1/10W
R528	1-216-655-11	s METAL, CHIP 1.5K 0.5% 1/10W
R529	1-216-679-11	s METAL, CHIP 15K 0.5% 1/10W (2125)
R530	1-216-679-11	s METAL, CHIP 15K 0.5% 1/10W (2125)
R531	1-216-073-00	s METAL, CHIP 10K 5% 1/10W (2125)
R532	1-216-682-11	s METAL, CHIP 20K 0.5% 1/10W (2125)
R533	1-216-085-00	s METAL, CHIP 33K 5% 1/10W (2125)
R534	1-216-667-11	s METAL, CHIP 4.7K 0.5% 1/10W
R551	1-216-089-00	s METAL, CHIP 47K 5% 1/10W (2125)
R601	1-216-657-11	s METAL, CHIP 1.8K 0.5% 1/10W
R602	1-216-657-11	s METAL, CHIP 1.8K 0.5% 1/10W
R603	1-216-661-11	s METAL, CHIP 2.7K 0.5% 1/10W
R604	1-216-661-11	s METAL, CHIP 2.7K 0.5% 1/10W
R605	1-216-649-11	s METAL, CHIP 820 0.5% 1/10W (2125)
R606	1-216-641-11	s METAL, CHIP 390 0.5% 1/10W (2125)
R607	1-216-699-11	s METAL, CHIP 100K 0.5% 1/10W
R608	1-216-671-11	s METAL, CHIP 6.8K 0.5% 1/10W
R609	1-216-634-11	s METAL, CHIP 200 0.5% 1/10W
R610	1-216-097-00	s METAL, CHIP 100K 5% 1/10W (2125)
R611	1-216-075-00	s METAL, CHIP 12K 5% 1/10W (2125)

## (AP-28 BOARD for DVW-A500P/A510P/CA510P)

Ref. No. or Q'ty	Part No.	SP Description
R612	1-216-691-11	s METAL, CHIP 47K 0.5% 1/10W (2125)
R613	1-216-057-00	s METAL, CHIP 2.2K 5% 1/10W (2125)
R614	1-216-659-11	s METAL, CHIP 2.2K 0.5% 1/10W (2125)
R615	1-216-105-00	s METAL, CHIP 220K 5% 1/10W (2125)
R616	1-216-649-11	s METAL, CHIP 820 0.5% 1/10W (2125)
R617	1-216-641-11	s METAL, CHIP 390 0.5% 1/10W (2125)
R618	1-216-699-11	s METAL, CHIP 100K 0.5% 1/10W (2125)
R619	1-216-025-00	s METAL, CHIP 100 5% 1/10W (2125)
R620	1-216-634-11	s METAL, CHIP 200 0.5% 1/10W (2125)
R621	1-216-671-11	s METAL, CHIP 6.8K 0.5% 1/10W (2125)
R622	1-216-075-00	s METAL, CHIP 12K 5% 1/10W (2125)
R623	1-216-691-11	s METAL, CHIP 47K 0.5% 1/10W (2125)
R624	1-216-057-00	s METAL, CHIP 2.2K 5% 1/10W (2125)
R625	1-216-659-11	s METAL, CHIP 2.2K 0.5% 1/10W (2125)
R626	1-216-105-00	s METAL, CHIP 220K 5% 1/10W (2125)
R627	1-216-655-11	s METAL, CHIP 1.5K 0.5% 1/10W (2125)
R628	1-216-655-11	s METAL, CHIP 1.5K 0.5% 1/10W (2125)
R629	1-216-679-11	s METAL, CHIP 15K 0.5% 1/10W (2125)
R630	1-216-679-11	s METAL, CHIP 15K 0.5% 1/10W (2125)
R631	1-216-073-00	s METAL, CHIP 10K 5% 1/10W (2125)
R632	1-216-682-11	s METAL, CHIP 20K 0.5% 1/10W (2125)
R633	1-216-085-00	s METAL, CHIP 33K 5% 1/10W (2125)
R634	1-216-667-11	s METAL, CHIP 4.7K 0.5% 1/10W (2125)
R701	1-208-800-11	s METAL, CHIP 5.6K 0.5% 1/10W (2125)
R702	1-216-676-11	s METAL, CHIP 11K 0.5% 1/10W (2125)
R711	1-216-675-11	s METAL, CHIP 10K 0.5% 1/10W (2125)
R712	1-216-663-11	s METAL, CHIP 3.3K 0.5% 1/10W (2125)
R713	1-216-619-11	s METAL, CHIP 47 0.5% 1/10W (2125)
R714	1-216-675-11	s METAL, CHIP 10K 0.5% 1/10W (2125)
R715	1-216-661-11	s METAL, CHIP 2.7K 0.5% 1/10W (2125)
R716	1-216-659-11	s METAL, CHIP 2.2K 0.5% 1/10W (2125)
R717	1-216-647-11	s METAL, CHIP 680 0.5% 1/10W (2125)
R718	1-216-665-11	s METAL, CHIP 3.9K 0.5% 1/10W (2125)
R719	1-216-677-11	s METAL, CHIP 12K 0.5% 1/10W (2125)
R720	1-216-663-11	s METAL, CHIP 3.3K 0.5% 1/10W (2125)
R721	1-216-663-11	s METAL, CHIP 3.3K 0.5% 1/10W (2125)
R722	1-216-661-11	s METAL, CHIP 2.7K 0.5% 1/10W (2125)
R731	1-216-659-11	s METAL, CHIP 2.2K 0.5% 1/10W (2125)
R732	1-216-065-00	s METAL, CHIP 4.7K 5% 1/10W (2125)
R733	1-208-814-11	s METAL, CHIP 22K 0.5% 1/10W (2125)
*1	1-216-679-11	s METAL, CHIP 15K 0.5% 1/10W (2125)
R734	*1 1-216-667-11	s METAL, CHIP 4.7K 0.5% 1/10W (2125)
R735	1-216-663-11	s METAL, CHIP 3.3K 0.5% 1/10W (2125)
R736	1-216-685-11	s METAL, CHIP 27K 0.5% 1/10W (2125)
*1	1-216-687-11	s METAL, CHIP 33K 0.5% 1/10W (2125)
R737	1-208-814-11	s METAL, CHIP 22K 0.5% 1/10W (2125)
R738	1-216-097-00	s METAL, CHIP 100K 5% 1/10W (2125)
*1	1-249-441-00	s CARBON 100K 5% 1/4W
R739	*1 1-216-295-00	s METAL, CHIP 0 (2125)
R761	1-216-675-11	s METAL, CHIP 10K 0.5% 1/10W (2125)
R762	1-216-663-11	s METAL, CHIP 3.3K 0.5% 1/10W (2125)
R763	1-216-619-11	s METAL, CHIP 47 0.5% 1/10W (2125)
R764	1-216-675-11	s METAL, CHIP 10K 0.5% 1/10W (2125)
R765	1-216-661-11	s METAL, CHIP 2.7K 0.5% 1/10W (2125)
R766	1-216-659-11	s METAL, CHIP 2.2K 0.5% 1/10W (2125)
R767	1-216-647-11	s METAL, CHIP 680 0.5% 1/10W (2125)
R768	1-216-665-11	s METAL, CHIP 3.9K 0.5% 1/10W (2125)

\*1: Board No. suffix 11 only

(AP-28 BOARD for DVW-A500P/A510P/CA510P)

Ref. No. or Q'ty	Part No.	SP	Description
R769	1-216-677-11	s	METAL, CHIP 12K 0.5% 1/10W (2125)
R770	1-216-663-11	s	METAL, CHIP 3.3K 0.5% 1/10W
R771	1-216-663-11	s	METAL, CHIP 3.3K 0.5% 1/10W (2125)
R772	1-216-661-11	s	METAL, CHIP 2.7K 0.5% 1/10W
R781	1-216-659-11	s	METAL, CHIP 2.2K 0.5% 1/10W
R782	1-216-065-00	s	METAL, CHIP 4.7K 5% 1/10W (2125)
R783	1-208-814-11	s	METAL, CHIP 22K 0.5% 1/10W (2125)
*1	1-216-679-11	s	METAL, CHIP 15K 0.5% 1/10W (2125)
R784 *1	1-216-667-11	s	METAL, CHIP 4.7K 0.5% 1/10W
R785	1-216-663-11	s	METAL, CHIP 3.3K 0.5% 1/10W
R786	1-216-685-11	s	METAL, CHIP 27K 0.5% 1/10W (2125)
*1	1-216-687-11	s	METAL, CHIP 33K 0.5% 1/10W (2125)
R787	1-208-814-11	s	METAL, CHIP 22K 0.5% 1/10W (2125)
R788	1-216-097-00	s	METAL, CHIP 100K 5% 1/10W (2125)
*1	1-249-441-00	s	CARBON 100K 5% 1/4W
R871	1-208-767-11	s	METAL, CHIP 240 0.5% 1/10W (2125)
R872	1-208-767-11	s	METAL, CHIP 240 0.5% 1/10W (2125)
R873	1-216-049-00	s	METAL, CHIP 1.0K 5% 1/10W (2125)
R874	1-216-049-00	s	METAL, CHIP 1.0K 5% 1/10W (2125)
R904	1-216-049-00	s	METAL, CHIP 1.0K 5% 1/10W (2125)
R906	1-216-295-00	s	METAL, CHIP 0 (2125)
R907	1-216-089-00	s	METAL, CHIP 47K 5% 1/10W (2125)
R920	1-216-073-00	s	METAL, CHIP 10K 5% 1/10W (2125)
R921	1-216-687-11	s	METAL, CHIP 33K 0.5% 1/10W
*1	1-216-663-11	s	METAL, CHIP 3.3K 0.5% 1/10W
R922	1-216-677-11	s	METAL, CHIP 12K 0.5% 1/10W (2125)
*1	1-216-659-11	s	METAL, CHIP 2.2K 0.5% 1/10W
R923	1-208-814-11	s	METAL, CHIP 22K 0.5% 1/10W
*1	1-216-659-11	s	METAL, CHIP 2.2K 0.5% 1/10W
R924	1-216-049-00	s	METAL, CHIP 1.0K 5% 1/10W (2125)
R925	1-216-049-00	s	METAL, CHIP 1.0K 5% 1/10W (2125)
R926 *4	1-216-295-00	s	METAL, CHIP 0 (2125)
R927	1-216-065-00	s	METAL, CHIP 4.7K 5% 1/10W (2125)
R930	1-216-049-00	s	METAL, CHIP 1.0K 5% 1/10W (2125)
R931	1-216-049-00	s	METAL, CHIP 1.0K 5% 1/10W (2125)
R932	1-216-049-00	s	METAL, CHIP 1.0K 5% 1/10W (2125)
R951	1-216-691-11	s	METAL, CHIP 47K 0.5% 1/10W (2125)
R952	1-216-695-11	s	METAL, CHIP 68K 0.5% 1/10W
R953	1-216-089-00	s	METAL, CHIP 47K 5% 1/10W (2125)
R965 *3	1-216-295-00	s	METAL, CHIP 0 (2125)
RV102	1-241-763-11	s	RES, ADJ, CERMET 4.7K
RV103	1-241-785-11	s	RES, ADJ, CERMET 10K
RV201	1-241-763-11	s	RES, ADJ, CERMET 4.7K
RV202	1-241-763-11	s	RES, ADJ, CERMET 4.7K
RV203	1-241-785-11	s	RES, ADJ, CERMET 10K
RV301	1-241-763-11	s	RES, ADJ, CERMET 4.7K
RV501	1-241-765-11	s	RES, ADJ, CERMET 22K
RV502	1-241-786-11	s	RES, ADJ, CERMET 22K
RV601	1-241-765-11	s	RES, ADJ, CERMET 22K
RV602	1-241-786-11	s	RES, ADJ, CERMET 22K

-----  
\*1: Board No. suffix 11 only  
\*3: Board No. suffix 12 or higher  
\*4: Board No. suffix 13 or higher

APR-1 BOARD suffix 16 or higher

Ref. No. or Q'ty	Part No.	SP	Description
1pc	A-8275-144-B	o	MOUNTED CIRCUIT BOARD, APR-1
1pc	3-171-453-03	o	PLATE (L), SHIELD, CARD
1pc	3-171-454-02	o	SHEET (L), CARD (PLA)
1pc	3-179-084-01	s	LEVER(R),PRINTED C,BOARD
1pc	3-179-085-01	s	LEVER(L),PRINTED C.BOARD
6pcs	7-682-902-11	s	SCREW +PWH 2.6X5(EP-FE/ZN/CM2)
C52	1-164-156-11	s	CAPACITOR,CERAMIC 0.1MF/25V F
C53	1-164-156-11	s	CAPACITOR,CERAMIC 0.1MF/25V F
C54	1-164-156-11	s	CAPACITOR,CERAMIC 0.1MF/25V F
C55	1-164-156-11	s	CAPACITOR,CERAMIC 0.1MF/25V F
C58	1-164-156-11	s	CAPACITOR,CERAMIC 0.1MF/25V F
C59	1-164-156-11	s	CAPACITOR,CERAMIC 0.1MF/25V F
C60	1-126-400-11	s	CAPACITOR ELECT 22MF/35V(CHIP)
C61	1-115-670-11	s	CAPACITOR ELECT 220MF/35V(CHIP)
C62	1-128-416-11	s	CAPACITOR ELECT 100MF/16V(105C)
C100	1-128-936-21	s	CAPACITOR,ELECT (NONPOLAR)22MF
C101	1-128-936-21	s	CAPACITOR,ELECT (NONPOLAR)22MF
C102	1-162-927-11	s	CAPACITOR,CERAMIC 100PF/50V CH
C103	1-162-927-11	s	CAPACITOR,CERAMIC 100PF/50V CH
C104	1-126-399-11	s	CAPACITOR ELECT 10MF/35V(CHIP)
C105	1-164-156-11	s	CAPACITOR,CERAMIC 0.1MF/25V F
C106	1-162-927-11	s	CAPACITOR,CERAMIC 100PF/50V CH
C107	1-162-927-11	s	CAPACITOR,CERAMIC 100PF/50V CH
C108	1-115-672-11	s	CAPACITOR ELECT 10MF/35V(BP)
C109	1-107-420-11	s	CAPACITOR,ELECT 47MF/35V(105C)
C110	1-164-156-11	s	CAPACITOR,CERAMIC 0.1MF/25V F
C111	1-107-420-11	s	CAPACITOR,ELECT 47MF/35V(105C)
C112	1-115-672-11	s	CAPACITOR ELECT 10MF/35V(BP)
C113	1-164-156-11	s	CAPACITOR,CERAMIC 0.1MF/25V F
C114	1-162-923-11	s	CAPACITOR,CERAMIC 47PF/50V CH
C115	1-128-936-21	s	CAPACITOR,ELECT (NONPOLAR)22MF
C116	1-164-156-11	s	CAPACITOR,CERAMIC 0.1MF/25V F
C117	1-127-969-21	s	CAPACITOR,FILM 0.0047MF/50V
C118	1-162-915-11	s	CAPACITOR,CERAMIC 10PF/50V CH
C119	1-127-967-11	s	CAPACITOR,FILM 0.0022MF (2012)
C120	1-127-969-21	s	CAPACITOR,FILM 0.0047MF/50V
C121	1-128-936-21	s	CAPACITOR,ELECT (NONPOLAR)22MF
C122	1-162-927-11	s	CAPACITOR,CERAMIC 100PF/50V CH
C125	1-126-399-11	s	CAPACITOR ELECT 10MF/35V(CHIP)
C126	1-162-966-11	s	CAPACITOR,CERAMIC 2200PF/50V B
C127	1-115-467-11	s	CAPACITOR CERAMIC 0.22MF/10V B
C128	1-115-467-11	s	CAPACITOR CERAMIC 0.22MF/10V B
C129	1-162-919-11	s	CAPACITOR,CERAMIC 22PF/50V CH
C130	1-126-399-11	s	CAPACITOR ELECT 10MF/35V(CHIP)
C131	1-164-156-11	s	CAPACITOR,CERAMIC 0.1MF/25V F
C132	1-164-156-11	s	CAPACITOR,CERAMIC 0.1MF/25V F
C133	1-164-156-11	s	CAPACITOR,CERAMIC 0.1MF/25V F
C134	1-164-156-11	s	CAPACITOR,CERAMIC 0.1MF/25V F
C135	1-162-927-11	s	CAPACITOR,CERAMIC 100PF/50V CH
C136	1-126-399-11	s	CAPACITOR ELECT 10MF/35V(CHIP)
C137	1-126-399-11	s	CAPACITOR ELECT 10MF/35V(CHIP)
C138	1-126-399-11	s	CAPACITOR ELECT 10MF/35V(CHIP)
C139	1-164-156-11	s	CAPACITOR,CERAMIC 0.1MF/25V F
C140	1-164-156-11	s	CAPACITOR,CERAMIC 0.1MF/25V F
C141	1-126-399-11	s	CAPACITOR ELECT 10MF/35V(CHIP)
C142	1-162-927-11	s	CAPACITOR,CERAMIC 100PF/50V CH
C143	1-162-927-11	s	CAPACITOR,CERAMIC 100PF/50V CH
C146	1-162-927-11	s	CAPACITOR,CERAMIC 100PF/50V CH

(APR-1 BOARD suffix 16 or higher)

Ref. No. or Q'ty	Part No.	SP Description
C147	1-162-927-11	s CAPACITOR,CERAMIC 100PF/50V CH
C200	1-128-936-21	s CAPACITOR,ELECT (NONPOLAR)22MF
C201	1-128-936-21	s CAPACITOR,ELECT (NONPOLAR)22MF
C202	1-162-927-11	s CAPACITOR,CERAMIC 100PF/50V CH
C203	1-162-927-11	s CAPACITOR,CERAMIC 100PF/50V CH
C204	1-126-399-11	s CAPACITOR ELECT 10MF/35V(CHIP)
C205	1-164-156-11	s CAPACITOR,CERAMIC 0.1MF/25V F
C206	1-162-927-11	s CAPACITOR,CERAMIC 100PF/50V CH
C207	1-162-927-11	s CAPACITOR,CERAMIC 100PF/50V CH
C208	1-115-672-11	s CAPACITOR ELECT 10MF/35V(BP)
C209	1-107-420-11	s CAPACITOR,ELECT 47MF/35V(105C)
C210	1-164-156-11	s CAPACITOR,CERAMIC 0.1MF/25V F
C211	1-107-420-11	s CAPACITOR,ELECT 47MF/35V(105C)
C212	1-115-672-11	s CAPACITOR ELECT 10MF/35V(BP)
C213	1-164-156-11	s CAPACITOR,CERAMIC 0.1MF/25V F
C214	1-162-923-11	s CAPACITOR,CERAMIC 47PF/50V CH
C215	1-128-936-21	s CAPACITOR,ELECT (NONPOLAR)22MF
C216	1-164-156-11	s CAPACITOR,CERAMIC 0.1MF/25V F
C217	1-127-969-21	s CAPACITOR,FILM 0.0047MF/50V
C218	1-162-915-11	s CAPACITOR,CERAMIC 10PF/50V CH
C219	1-127-967-11	s CAPACITOR,FILM 0.0022MF (2012)
C220	1-127-969-21	s CAPACITOR,FILM 0.0047MF/50V
C221	1-128-936-21	s CAPACITOR,ELECT (NONPOLAR)22MF
C222	1-162-927-11	s CAPACITOR,CERAMIC 100PF/50V CH
C226	1-162-966-11	s CAPACITOR,CERAMIC 2200PF/50V B
C227	1-162-919-11	s CAPACITOR,CERAMIC 22PF/50V CH
C228	1-162-919-11	s CAPACITOR,CERAMIC 22PF/50V CH
C229	1-162-919-11	s CAPACITOR,CERAMIC 22PF/50V CH
C242	1-162-927-11	s CAPACITOR,CERAMIC 100PF/50V CH
C243	1-162-927-11	s CAPACITOR,CERAMIC 100PF/50V CH
C246	1-162-927-11	s CAPACITOR,CERAMIC 100PF/50V CH
C247	1-162-927-11	s CAPACITOR,CERAMIC 100PF/50V CH
C300	1-128-936-21	s CAPACITOR,ELECT (NONPOLAR)22MF
C301	1-128-936-21	s CAPACITOR,ELECT (NONPOLAR)22MF
C302	1-162-927-11	s CAPACITOR,CERAMIC 100PF/50V CH
C303	1-162-927-11	s CAPACITOR,CERAMIC 100PF/50V CH
C304	1-126-399-11	s CAPACITOR ELECT 10MF/35V(CHIP)
C305	1-164-156-11	s CAPACITOR,CERAMIC 0.1MF/25V F
C306	1-162-927-11	s CAPACITOR,CERAMIC 100PF/50V CH
C307	1-162-927-11	s CAPACITOR,CERAMIC 100PF/50V CH
C308	1-115-672-11	s CAPACITOR ELECT 10MF/35V(BP)
C309	1-107-420-11	s CAPACITOR,ELECT 47MF/35V(105C)
C310	1-164-156-11	s CAPACITOR,CERAMIC 0.1MF/25V F
C311	1-107-420-11	s CAPACITOR,ELECT 47MF/35V(105C)
C312	1-115-672-11	s CAPACITOR ELECT 10MF/35V(BP)
C313	1-164-156-11	s CAPACITOR,CERAMIC 0.1MF/25V F
C314	1-162-923-11	s CAPACITOR,CERAMIC 47PF/50V CH
C315	1-128-936-21	s CAPACITOR,ELECT (NONPOLAR)22MF
C316	1-164-156-11	s CAPACITOR,CERAMIC 0.1MF/25V F
C317	1-127-969-21	s CAPACITOR,FILM 0.0047MF/50V
C318	1-162-915-11	s CAPACITOR,CERAMIC 10PF/50V CH
C319	1-127-967-11	s CAPACITOR,FILM 0.0022MF (2012)
C320	1-127-969-21	s CAPACITOR,FILM 0.0047MF/50V
C321	1-128-936-21	s CAPACITOR,ELECT (NONPOLAR)22MF
C322	1-162-927-11	s CAPACITOR,CERAMIC 100PF/50V CH
C325	1-126-399-11	s CAPACITOR ELECT 10MF/35V(CHIP)
C326	1-162-966-11	s CAPACITOR,CERAMIC 2200PF/50V B
C327	1-115-467-11	s CAPACITOR CERAMIC 0.22MF/10V B
C328	1-115-467-11	s CAPACITOR CERAMIC 0.22MF/10V B

(APR-1 BOARD suffix 16 or higher)

Ref. No. or Q'ty	Part No.	SP Description
C329	1-162-919-11	s CAPACITOR,CERAMIC 22PF/50V CH
C330	1-126-399-11	s CAPACITOR ELECT 10MF/35V(CHIP)
C331	1-164-156-11	s CAPACITOR,CERAMIC 0.1MF/25V F
C332	1-164-156-11	s CAPACITOR,CERAMIC 0.1MF/25V F
C333	1-164-156-11	s CAPACITOR,CERAMIC 0.1MF/25V F
C334	1-164-156-11	s CAPACITOR,CERAMIC 0.1MF/25V F
C335	1-162-927-11	s CAPACITOR,CERAMIC 100PF/50V CH
C336	1-126-399-11	s CAPACITOR ELECT 10MF/35V(CHIP)
C337	1-126-399-11	s CAPACITOR ELECT 10MF/35V(CHIP)
C338	1-126-399-11	s CAPACITOR ELECT 10MF/35V(CHIP)
C339	1-164-156-11	s CAPACITOR,CERAMIC 0.1MF/25V F
C340	1-164-156-11	s CAPACITOR,CERAMIC 0.1MF/25V F
C341	1-126-399-11	s CAPACITOR ELECT 10MF/35V(CHIP)
C342	1-162-927-11	s CAPACITOR,CERAMIC 100PF/50V CH
C343	1-162-927-11	s CAPACITOR,CERAMIC 100PF/50V CH
C346	1-162-927-11	s CAPACITOR,CERAMIC 100PF/50V CH
C347	1-162-927-11	s CAPACITOR,CERAMIC 100PF/50V CH
C400	1-128-936-21	s CAPACITOR,ELECT (NONPOLAR)22MF
C401	1-128-936-21	s CAPACITOR,ELECT (NONPOLAR)22MF
C402	1-162-927-11	s CAPACITOR,CERAMIC 100PF/50V CH
C403	1-162-927-11	s CAPACITOR,CERAMIC 100PF/50V CH
C404	1-126-399-11	s CAPACITOR ELECT 10MF/35V(CHIP)
C405	1-164-156-11	s CAPACITOR,CERAMIC 0.1MF/25V F
C406	1-162-927-11	s CAPACITOR,CERAMIC 100PF/50V CH
C407	1-162-927-11	s CAPACITOR,CERAMIC 100PF/50V CH
C408	1-115-672-11	s CAPACITOR ELECT 10MF/35V(BP)
C409	1-107-420-11	s CAPACITOR,ELECT 47MF/35V(105C)
C410	1-164-156-11	s CAPACITOR,CERAMIC 0.1MF/25V F
C411	1-107-420-11	s CAPACITOR,ELECT 47MF/35V(105C)
C412	1-115-672-11	s CAPACITOR ELECT 10MF/35V(BP)
C413	1-164-156-11	s CAPACITOR,CERAMIC 0.1MF/25V F
C414	1-162-923-11	s CAPACITOR,CERAMIC 47PF/50V CH
C415	1-128-936-21	s CAPACITOR,ELECT (NONPOLAR)22MF
C416	1-164-156-11	s CAPACITOR,CERAMIC 0.1MF/25V F
C417	1-127-969-21	s CAPACITOR,FILM 0.0047MF/50V
C418	1-162-915-11	s CAPACITOR,CERAMIC 10PF/50V CH
C419	1-127-967-11	s CAPACITOR,FILM 0.0022MF (2012)
C420	1-127-969-21	s CAPACITOR,FILM 0.0047MF/50V
C421	1-128-936-21	s CAPACITOR,ELECT (NONPOLAR)22MF
C422	1-162-927-11	s CAPACITOR,CERAMIC 100PF/50V CH
C426	1-162-966-11	s CAPACITOR,CERAMIC 2200PF/50V B
C427	1-162-919-11	s CAPACITOR,CERAMIC 22PF/50V CH
C428	1-162-919-11	s CAPACITOR,CERAMIC 22PF/50V CH
C429	1-162-919-11	s CAPACITOR,CERAMIC 22PF/50V CH
C442	1-162-927-11	s CAPACITOR,CERAMIC 100PF/50V CH
C443	1-162-927-11	s CAPACITOR,CERAMIC 100PF/50V CH
C446	1-162-927-11	s CAPACITOR,CERAMIC 100PF/50V CH
C447	1-162-927-11	s CAPACITOR,CERAMIC 100PF/50V CH
C500	1-164-156-11	s CAPACITOR,CERAMIC 0.1MF/25V F
C501	1-107-420-11	s CAPACITOR,ELECT 47MF/35V(105C)
C502	1-126-400-11	s CAPACITOR ELECT 22MF/35V(CHIP)
C503	1-128-416-11	s CAPACITOR ELECT 100MF/16V(105C)
C504	1-128-936-21	s CAPACITOR,ELECT (NONPOLAR)22MF
C505	1-128-416-11	s CAPACITOR ELECT 100MF/16V(105C)
C506	1-128-936-21	s CAPACITOR,ELECT (NONPOLAR)22MF
C507	1-128-416-11	s CAPACITOR ELECT 100MF/16V(105C)
C508	1-164-156-11	s CAPACITOR,CERAMIC 0.1MF/25V F
C509	1-162-927-11	s CAPACITOR,CERAMIC 100PF/50V CH
C510	1-162-927-11	s CAPACITOR,CERAMIC 100PF/50V CH

(APR-1 BOARD suffix 16 or higher)

Ref. No. or Q'ty	Part No.	SP	Description
C511	1-164-156-11	s	CAPACITOR,CERAMIC 0.1MF/25V F
C512	1-126-399-11	s	CAPACITOR ELECT 10MF/35V(CHIP)
C513	1-127-967-11	s	CAPACITOR,FILM 0.0022MF (2012)
C514	1-127-967-11	s	CAPACITOR,FILM 0.0022MF (2012)
C515	1-127-965-11	s	CAPACITOR,CHIP FILM 0.001MF
C516	1-127-965-11	s	CAPACITOR,CHIP FILM 0.001MF
C517	1-115-672-11	s	CAPACITOR ELECT 10MF/35V(BP)
C518	1-115-672-11	s	CAPACITOR ELECT 10MF/35V(BP)
C519	1-127-969-21	s	CAPACITOR,FILM 0.0047MF/50V
C520	1-127-969-21	s	CAPACITOR,FILM 0.0047MF/50V
C521	1-164-156-11	s	CAPACITOR,CERAMIC 0.1MF/25V F
C522	1-164-156-11	s	CAPACITOR,CERAMIC 0.1MF/25V F
C523	1-128-416-11	s	CAPACITOR ELECT 100MF/16V(105C)
C524	1-164-156-11	s	CAPACITOR,CERAMIC 0.1MF/25V F
C525	1-164-156-11	s	CAPACITOR,CERAMIC 0.1MF/25V F
C526	1-164-156-11	s	CAPACITOR,CERAMIC 0.1MF/25V F
C527	1-164-156-11	s	CAPACITOR,CERAMIC 0.1MF/25V F
C528	1-164-156-11	s	CAPACITOR,CERAMIC 0.1MF/25V F
C529	1-164-156-11	s	CAPACITOR,CERAMIC 0.1MF/25V F
C530	1-126-399-11	s	CAPACITOR ELECT 10MF/35V(CHIP)
C531	1-128-936-21	s	CAPACITOR,ELECT (NONPOLAR)22MF
C532	1-128-936-21	s	CAPACITOR,ELECT (NONPOLAR)22MF
C533	1-128-936-21	s	CAPACITOR,ELECT (NONPOLAR)22MF
C534	1-128-936-21	s	CAPACITOR,ELECT (NONPOLAR)22MF
C535	1-162-919-11	s	CAPACITOR,CERAMIC 22PF/50V CH
C536	1-162-919-11	s	CAPACITOR,CERAMIC 22PF/50V CH
C537	1-162-919-11	s	CAPACITOR,CERAMIC 22PF/50V CH
C538	1-162-919-11	s	CAPACITOR,CERAMIC 22PF/50V CH
C539	1-128-936-21	s	CAPACITOR,ELECT (NONPOLAR)22MF
C540	1-128-936-21	s	CAPACITOR,ELECT (NONPOLAR)22MF
C541	1-128-936-21	s	CAPACITOR,ELECT (NONPOLAR)22MF
C542	1-128-936-21	s	CAPACITOR,ELECT (NONPOLAR)22MF
C543	1-162-927-11	s	CAPACITOR,CERAMIC 100PF/50V CH
C544	1-162-927-11	s	CAPACITOR,CERAMIC 100PF/50V CH
C545	1-162-927-11	s	CAPACITOR,CERAMIC 100PF/50V CH
C546	1-162-927-11	s	CAPACITOR,CERAMIC 100PF/50V CH
C547	1-128-936-21	s	CAPACITOR,ELECT (NONPOLAR)22MF
C548	1-128-936-21	s	CAPACITOR,ELECT (NONPOLAR)22MF
C549	1-128-936-21	s	CAPACITOR,ELECT (NONPOLAR)22MF
C550	1-128-936-21	s	CAPACITOR,ELECT (NONPOLAR)22MF
C551	1-127-965-11	s	CAPACITOR,CHIP FILM 0.001MF
C552	1-127-965-11	s	CAPACITOR,CHIP FILM 0.001MF
C553	1-128-416-11	s	CAPACITOR ELECT 100MF/16V(105C)
C554	1-128-416-11	s	CAPACITOR ELECT 100MF/16V(105C)
C555	1-107-420-11	s	CAPACITOR,ELECT 47MF/35V(105C)
C556	1-107-420-11	s	CAPACITOR,ELECT 47MF/35V(105C)
C557	1-164-156-11	s	CAPACITOR,CERAMIC 0.1MF/25V F
C558	1-164-156-11	s	CAPACITOR,CERAMIC 0.1MF/25V F
C559	1-107-420-11	s	CAPACITOR,ELECT 47MF/35V(105C)
C560	1-107-420-11	s	CAPACITOR,ELECT 47MF/35V(105C)
C561	1-164-156-11	s	CAPACITOR,CERAMIC 0.1MF/25V F
C562	1-164-156-11	s	CAPACITOR,CERAMIC 0.1MF/25V F
C563	1-162-915-11	s	CAPACITOR,CERAMIC 10PF/50V CH
C564	1-162-915-11	s	CAPACITOR,CERAMIC 10PF/50V CH
C565	1-107-420-11	s	CAPACITOR,ELECT 47MF/35V(105C)
C566	1-128-416-11	s	CAPACITOR ELECT 100MF/16V(105C)
C567	1-164-156-11	s	CAPACITOR,CERAMIC 0.1MF/25V F
C568	1-126-400-11	s	CAPACITOR ELECT 22MF/35V(CHIP)
C569	1-128-416-11	s	CAPACITOR ELECT 100MF/16V(105C)

(APR-1 BOARD suffix 16 or higher)

Ref. No. or Q'ty	Part No.	SP	Description
C570	1-164-156-11	s	CAPACITOR,CERAMIC 0.1MF/25V F
C571	1-164-156-11	s	CAPACITOR,CERAMIC 0.1MF/25V F
C572	1-126-399-11	s	CAPACITOR ELECT 10MF/35V(CHIP)
C573	1-164-156-11	s	CAPACITOR,CERAMIC 0.1MF/25V F
C574	1-126-399-11	s	CAPACITOR ELECT 10MF/35V(CHIP)
C700	1-164-156-11	s	CAPACITOR,CERAMIC 0.1MF/25V F
C701	1-107-420-11	s	CAPACITOR,ELECT 47MF/35V(105C)
C702	1-126-400-11	s	CAPACITOR ELECT 22MF/35V(CHIP)
C703	1-128-416-11	s	CAPACITOR ELECT 100MF/16V(105C)
C704	1-128-936-21	s	CAPACITOR,ELECT (NONPOLAR)22MF
C705	1-128-416-11	s	CAPACITOR ELECT 100MF/16V(105C)
C706	1-128-936-21	s	CAPACITOR,ELECT (NONPOLAR)22MF
C707	1-128-416-11	s	CAPACITOR ELECT 100MF/16V(105C)
C708	1-164-156-11	s	CAPACITOR,CERAMIC 0.1MF/25V F
C709	1-162-927-11	s	CAPACITOR,CERAMIC 100PF/50V CH
C710	1-162-927-11	s	CAPACITOR,CERAMIC 100PF/50V CH
C711	1-164-156-11	s	CAPACITOR,CERAMIC 0.1MF/25V F
C712	1-126-399-11	s	CAPACITOR ELECT 10MF/35V(CHIP)
C713	1-127-967-11	s	CAPACITOR,FILM 0.0022MF (2012)
C714	1-127-967-11	s	CAPACITOR,FILM 0.0022MF (2012)
C715	1-127-965-11	s	CAPACITOR,CHIP FILM 0.001MF
C716	1-127-965-11	s	CAPACITOR,CHIP FILM 0.001MF
C717	1-115-672-11	s	CAPACITOR ELECT 10MF/35V(BP)
C718	1-115-672-11	s	CAPACITOR ELECT 10MF/35V(BP)
C719	1-127-969-21	s	CAPACITOR,FILM 0.0047MF/50V
C720	1-127-969-21	s	CAPACITOR,FILM 0.0047MF/50V
C721	1-164-156-11	s	CAPACITOR,CERAMIC 0.1MF/25V F
C722	1-164-156-11	s	CAPACITOR,CERAMIC 0.1MF/25V F
C723	1-128-416-11	s	CAPACITOR ELECT 100MF/16V(105C)
C724	1-164-156-11	s	CAPACITOR,CERAMIC 0.1MF/25V F
C725	1-164-156-11	s	CAPACITOR,CERAMIC 0.1MF/25V F
C726	1-164-156-11	s	CAPACITOR,CERAMIC 0.1MF/25V F
C727	1-164-156-11	s	CAPACITOR,CERAMIC 0.1MF/25V F
C728	1-164-156-11	s	CAPACITOR,CERAMIC 0.1MF/25V F
C729	1-164-156-11	s	CAPACITOR,CERAMIC 0.1MF/25V F
C730	1-126-399-11	s	CAPACITOR ELECT 10MF/35V(CHIP)
C731	1-128-936-21	s	CAPACITOR,ELECT (NONPOLAR)22MF
C732	1-128-936-21	s	CAPACITOR,ELECT (NONPOLAR)22MF
C733	1-128-936-21	s	CAPACITOR,ELECT (NONPOLAR)22MF
C734	1-128-936-21	s	CAPACITOR,ELECT (NONPOLAR)22MF
C735	1-162-919-11	s	CAPACITOR,CERAMIC 22PF/50V CH
C736	1-162-919-11	s	CAPACITOR,CERAMIC 22PF/50V CH
C737	1-162-919-11	s	CAPACITOR,CERAMIC 22PF/50V CH
C738	1-162-919-11	s	CAPACITOR,CERAMIC 22PF/50V CH
C739	1-128-936-21	s	CAPACITOR,ELECT (NONPOLAR)22MF
C740	1-128-936-21	s	CAPACITOR,ELECT (NONPOLAR)22MF
C741	1-128-936-21	s	CAPACITOR,ELECT (NONPOLAR)22MF
C742	1-128-936-21	s	CAPACITOR,ELECT (NONPOLAR)22MF
C743	1-162-927-11	s	CAPACITOR,CERAMIC 100PF/50V CH
C744	1-162-927-11	s	CAPACITOR,CERAMIC 100PF/50V CH
C745	1-162-927-11	s	CAPACITOR,CERAMIC 100PF/50V CH
C746	1-162-927-11	s	CAPACITOR,CERAMIC 100PF/50V CH
C747	1-128-936-21	s	CAPACITOR,ELECT (NONPOLAR)22MF
C748	1-128-936-21	s	CAPACITOR,ELECT (NONPOLAR)22MF
C749	1-128-936-21	s	CAPACITOR,ELECT (NONPOLAR)22MF
C750	1-128-936-21	s	CAPACITOR,ELECT (NONPOLAR)22MF
C751	1-127-965-11	s	CAPACITOR,CHIP FILM 0.001MF
C752	1-127-965-11	s	CAPACITOR,CHIP FILM 0.001MF
C753	1-128-416-11	s	CAPACITOR ELECT 100MF/16V(105C)

(APR-1 BOARD suffix 16 or higher)

Ref. No. or Q'ty	Part No.	SP	Description
C754	1-128-416-11	s	CAPACITOR ELECT 100MF/16V(105C
C755	1-107-420-11	s	CAPACITOR,ELECT 47MF/35V(105C)
C756	1-107-420-11	s	CAPACITOR,ELECT 47MF/35V(105C)
C757	1-164-156-11	s	CAPACITOR,CERAMIC 0.1MF/25V F
C758	1-164-156-11	s	CAPACITOR,CERAMIC 0.1MF/25V F
C759	1-107-420-11	s	CAPACITOR,ELECT 47MF/35V(105C)
C760	1-107-420-11	s	CAPACITOR,ELECT 47MF/35V(105C)
C761	1-164-156-11	s	CAPACITOR,CERAMIC 0.1MF/25V F
C762	1-164-156-11	s	CAPACITOR,CERAMIC 0.1MF/25V F
C763	1-162-915-11	s	CAPACITOR,CERAMIC 10PF/50V CH
C764	1-162-915-11	s	CAPACITOR,CERAMIC 10PF/50V CH
C765	1-107-420-11	s	CAPACITOR,ELECT 47MF/35V(105C)
C766	1-128-416-11	s	CAPACITOR,ELECT 100MF/16V(105C
C767	1-164-156-11	s	CAPACITOR,CERAMIC 0.1MF/25V F
C768	1-126-400-11	s	CAPACITOR ELECT 22MF/35V(CHIP)
C769	1-128-416-11	s	CAPACITOR ELECT 100MF/16V(105C
C770	1-164-156-11	s	CAPACITOR,CERAMIC 0.1MF/25V F
C771	1-164-156-11	s	CAPACITOR,CERAMIC 0.1MF/25V F
C772	1-126-399-11	s	CAPACITOR ELECT 10MF/35V(CHIP)
C773	1-164-156-11	s	CAPACITOR,CERAMIC 0.1MF/25V F
C774	1-126-399-11	s	CAPACITOR ELECT 10MF/35V(CHIP)
C900	1-164-156-11	s	CAPACITOR,CERAMIC 0.1MF/25V F
C901	1-162-966-11	s	CAPACITOR,CERAMIC 2200PF/50V B
C902	1-126-399-11	s	CAPACITOR ELECT 10MF/35V(CHIP)
C903	1-128-416-11	s	CAPACITOR ELECT 100MF/16V(105C
C904	1-128-416-11	s	CAPACITOR ELECT 100MF/16V(105C
C905	1-128-416-11	s	CAPACITOR ELECT 100MF/16V(105C
C906	1-128-416-11	s	CAPACITOR ELECT 100MF/16V(105C
C907	1-128-416-11	s	CAPACITOR ELECT 100MF/16V(105C
C908	1-128-416-11	s	CAPACITOR ELECT 100MF/16V(105C
C909	1-164-156-11	s	CAPACITOR,CERAMIC 0.1MF/25V F
C910	1-162-927-11	s	CAPACITOR,CERAMIC 100PF/50V CH
C911	1-162-927-11	s	CAPACITOR,CERAMIC 100PF/50V CH
C912	1-164-156-11	s	CAPACITOR,CERAMIC 0.1MF/25V F
C913	1-126-399-11	s	CAPACITOR ELECT 10MF/35V(CHIP)
C914	1-127-967-11	s	CAPACITOR,FILM 0.0022MF (2012)
C915	1-127-967-11	s	CAPACITOR,FILM 0.0022MF (2012)
C916	1-162-915-11	s	CAPACITOR,CERAMIC 10PF/50V CH
C917	1-127-965-11	s	CAPACITOR,CHIP FILM 0.001MF
C918	1-127-965-11	s	CAPACITOR,CHIP FILM 0.001MF
C919	1-115-672-11	s	CAPACITOR ELECT 10MF/35V(BP)
C920	1-115-672-11	s	CAPACITOR ELECT 10MF/35V(BP)
C921	1-127-969-21	s	CAPACITOR,FILM 0.0047MF/50V
C922	1-127-969-21	s	CAPACITOR,FILM 0.0047MF/50V
C923	1-164-156-11	s	CAPACITOR,CERAMIC 0.1MF/25V F
C924	1-164-156-11	s	CAPACITOR,CERAMIC 0.1MF/25V F
C927	1-126-399-11	s	CAPACITOR ELECT 10MF/35V(CHIP)
C928	1-126-399-11	s	CAPACITOR ELECT 10MF/35V(CHIP)
C929	1-164-156-11	s	CAPACITOR,CERAMIC 0.1MF/25V F
C930	1-164-156-11	s	CAPACITOR,CERAMIC 0.1MF/25V F
C931	1-164-156-11	s	CAPACITOR,CERAMIC 0.1MF/25V F
C932	1-164-156-11	s	CAPACITOR,CERAMIC 0.1MF/25V F
C933	1-164-156-11	s	CAPACITOR,CERAMIC 0.1MF/25V F
C934	1-164-156-11	s	CAPACITOR,CERAMIC 0.1MF/25V F
C935	1-164-156-11	s	CAPACITOR,CERAMIC 0.1MF/25V F
C936	1-164-156-11	s	CAPACITOR,CERAMIC 0.1MF/25V F
C937	1-126-399-11	s	CAPACITOR ELECT 10MF/35V(CHIP)
C938	1-126-399-11	s	CAPACITOR ELECT 10MF/35V(CHIP)
C941	1-128-936-21	s	CAPACITOR,ELECT (NONPOLAR)22MF

(APR-1 BOARD suffix 16 or higher)

Ref. No. or Q'ty	Part No.	SP	Description
C942	1-128-936-21	s	CAPACITOR,ELECT (NONPOLAR)22MF
C943	1-128-936-21	s	CAPACITOR,ELECT (NONPOLAR)22MF
C944	1-128-936-21	s	CAPACITOR,ELECT (NONPOLAR)22MF
C945	1-162-919-11	s	CAPACITOR,CERAMIC 22PF/50V CH
C946	1-162-919-11	s	CAPACITOR,CERAMIC 22PF/50V CH
C947	1-162-919-11	s	CAPACITOR,CERAMIC 22PF/50V CH
C948	1-162-919-11	s	CAPACITOR,CERAMIC 22PF/50V CH
C949	1-128-936-21	s	CAPACITOR,ELECT (NONPOLAR)22MF
C950	1-128-936-21	s	CAPACITOR,ELECT (NONPOLAR)22MF
C951	1-128-936-21	s	CAPACITOR,ELECT (NONPOLAR)22MF
C952	1-128-936-21	s	CAPACITOR,ELECT (NONPOLAR)22MF
C953	1-162-927-11	s	CAPACITOR,CERAMIC 100PF/50V CH
C954	1-162-927-11	s	CAPACITOR,CERAMIC 100PF/50V CH
C955	1-162-927-11	s	CAPACITOR,CERAMIC 100PF/50V CH
C956	1-162-927-11	s	CAPACITOR,CERAMIC 100PF/50V CH
C957	1-128-936-21	s	CAPACITOR,ELECT (NONPOLAR)22MF
C958	1-128-936-21	s	CAPACITOR,ELECT (NONPOLAR)22MF
C959	1-128-936-21	s	CAPACITOR,ELECT (NONPOLAR)22MF
C960	1-128-936-21	s	CAPACITOR,ELECT (NONPOLAR)22MF
C961	1-127-965-11	s	CAPACITOR,CHIP FILM 0.001MF
C962	1-127-965-11	s	CAPACITOR,CHIP FILM 0.001MF
C963	1-128-416-11	s	CAPACITOR ELECT 100MF/16V(105C
C964	1-128-416-11	s	CAPACITOR ELECT 100MF/16V(105C
C965	1-107-420-11	s	CAPACITOR,ELECT 47MF/35V(105C)
C966	1-107-420-11	s	CAPACITOR,ELECT 47MF/35V(105C)
C967	1-164-156-11	s	CAPACITOR,CERAMIC 0.1MF/25V F
C968	1-164-156-11	s	CAPACITOR,CERAMIC 0.1MF/25V F
C969	1-107-420-11	s	CAPACITOR,ELECT 47MF/35V(105C)
C970	1-107-420-11	s	CAPACITOR,ELECT 47MF/35V(105C)
C971	1-164-156-11	s	CAPACITOR,CERAMIC 0.1MF/25V F
C972	1-164-156-11	s	CAPACITOR,CERAMIC 0.1MF/25V F
C973	1-162-915-11	s	CAPACITOR,CERAMIC 10PF/50V CH
C974	1-162-919-11	s	CAPACITOR,CERAMIC 22PF/50V CH
C975	1-162-919-11	s	CAPACITOR,CERAMIC 22PF/50V CH
C1001	1-115-672-11	s	CAPACITOR ELECT 10MF/35V(BP)
C1002	1-115-672-11	s	CAPACITOR ELECT 10MF/35V(BP)
C1003	1-164-156-11	s	CAPACITOR,CERAMIC 0.1MF/25V F
C1004	1-164-156-11	s	CAPACITOR,CERAMIC 0.1MF/25V F
C1100	1-107-420-11	s	CAPACITOR,ELECT 47MF/35V(105C)
C1101	1-107-420-11	s	CAPACITOR,ELECT 47MF/35V(105C)
C1102	1-164-156-11	s	CAPACITOR,CERAMIC 0.1MF/25V F
C1103	1-107-420-11	s	CAPACITOR,ELECT 47MF/35V(105C)
C1104	1-107-420-11	s	CAPACITOR,ELECT 47MF/35V(105C)
C1105	1-107-420-11	s	CAPACITOR,ELECT 47MF/35V(105C)
C1106	1-107-420-11	s	CAPACITOR,ELECT 47MF/35V(105C)
C1107	1-107-420-11	s	CAPACITOR,ELECT 47MF/35V(105C)
C1108	1-107-420-11	s	CAPACITOR,ELECT 47MF/35V(105C)
C1109	1-107-420-11	s	CAPACITOR,ELECT 47MF/35V(105C)
C1110	1-107-420-11	s	CAPACITOR,ELECT 47MF/35V(105C)
C1111	1-164-156-11	s	CAPACITOR,CERAMIC 0.1MF/25V F
C1112	1-164-156-11	s	CAPACITOR,CERAMIC 0.1MF/25V F
C1113	1-164-156-11	s	CAPACITOR,CERAMIC 0.1MF/25V F
C1114	1-164-156-11	s	CAPACITOR,CERAMIC 0.1MF/25V F
C1120	1-107-420-11	s	CAPACITOR,ELECT 47MF/35V(105C)
C1121	1-164-156-11	s	CAPACITOR,CERAMIC 0.1MF/25V F
C1300	1-164-156-11	s	CAPACITOR,CERAMIC 0.1MF/25V F
C1301	1-126-399-11	s	CAPACITOR ELECT 10MF/35V(CHIP)
C1314	1-164-156-11	s	CAPACITOR,CERAMIC 0.1MF/25V F
C1315	1-164-156-11	s	CAPACITOR,CERAMIC 0.1MF/25V F

(APR-1 BOARD suffix 16 or higher)

Ref. No. or Q'ty	Part No.	SP	Description
C1560	1-164-156-11	s	CAPACITOR,CERAMIC 0.1MF/25V F
C1561	1-164-156-11	s	CAPACITOR,CERAMIC 0.1MF/25V F
C1562	1-164-156-11	s	CAPACITOR,CERAMIC 0.1MF/25V F
C1563	1-164-156-11	s	CAPACITOR,CERAMIC 0.1MF/25V F
C1564	1-164-156-11	s	CAPACITOR,CERAMIC 0.1MF/25V F
C1565	1-164-156-11	s	CAPACITOR,CERAMIC 0.1MF/25V F
C1570	1-164-156-11	s	CAPACITOR,CERAMIC 0.1MF/25V F
C1571	1-162-915-11	s	CAPACITOR,CERAMIC 10PF/50V CH
C1572	1-162-915-11	s	CAPACITOR,CERAMIC 10PF/50V CH
C1573	1-107-686-11	s	CAPACITOR,CHIP TANTAL4.7MF/16V
C1590	1-164-156-11	s	CAPACITOR,CERAMIC 0.1MF/25V F
C1591	1-126-399-11	s	CAPACITOR ELECT 10MF/35V(CHIP)
C1592	1-164-156-11	s	CAPACITOR,CERAMIC 0.1MF/25V F
CN119	1-573-600-21	s	CONNECTOR, PC BOARD (PLUG)100P
CN120	1-573-600-21	s	CONNECTOR, PC BOARD (PLUG)100P
CN121	1-573-600-21	s	CONNECTOR, PC BOARD (PLUG)100P
D1	8-719-024-81	s	DIODE 1SS300-TE85L
D2	8-719-404-35	s	DIODE MA141WK
D3	8-719-024-81	s	DIODE 1SS300-TE85L
D4	8-719-024-81	s	DIODE 1SS300-TE85L
D5	8-719-024-81	s	DIODE 1SS300-TE85L
D6	8-719-404-35	s	DIODE MA141WK
D7	8-719-404-35	s	DIODE MA141WK
D8	8-719-404-35	s	DIODE MA141WK
D50	8-719-801-48	s	DIODE 1SS193
D51	8-719-064-52	s	DIODE CL-191YG-CD-T
D52	8-719-941-23	s	DIODE DA204U
D53	8-719-941-23	s	DIODE DA204U
D100	8-719-801-48	s	DIODE 1SS193
D101	8-719-068-64	s	DIODE MA143A-(TX).SO
D102	8-719-068-64	s	DIODE MA143A-(TX).SO
D103	8-719-801-48	s	DIODE 1SS193
D104	8-719-941-23	s	DIODE DA204U
D105	8-719-941-23	s	DIODE DA204U
D200	8-719-801-48	s	DIODE 1SS193
D201	8-719-068-64	s	DIODE MA143A-(TX).SO
D202	8-719-068-64	s	DIODE MA143A-(TX).SO
D203	8-719-801-48	s	DIODE 1SS193
D204	8-719-941-23	s	DIODE DA204U
D205	8-719-941-23	s	DIODE DA204U
D300	8-719-801-48	s	DIODE 1SS193
D301	8-719-068-64	s	DIODE MA143A-(TX).SO
D302	8-719-068-64	s	DIODE MA143A-(TX).SO
D303	8-719-801-48	s	DIODE 1SS193
D304	8-719-941-23	s	DIODE DA204U
D305	8-719-941-23	s	DIODE DA204U
D400	8-719-801-48	s	DIODE 1SS193
D401	8-719-068-64	s	DIODE MA143A-(TX).SO
D402	8-719-068-64	s	DIODE MA143A-(TX).SO
D403	8-719-801-48	s	DIODE 1SS193
D404	8-719-941-23	s	DIODE DA204U
D405	8-719-941-23	s	DIODE DA204U
D500	8-719-941-04	s	DIODE SB007-03CP
D501	8-719-941-04	s	DIODE SB007-03CP
D502	8-719-801-48	s	DIODE 1SS193
D503	8-719-801-48	s	DIODE 1SS193
D504	8-719-068-64	s	DIODE MA143A-(TX).SO
D505	8-719-068-64	s	DIODE MA143A-(TX).SO

(APR-1 BOARD suffix 16 or higher)

Ref. No. or Q'ty	Part No.	SP	Description
D506	8-719-068-64	s	DIODE MA143A-(TX).SO
D507	8-719-068-64	s	DIODE MA143A-(TX).SO
D700	8-719-941-04	s	DIODE SB007-03CP
D701	8-719-941-04	s	DIODE SB007-03CP
D702	8-719-801-48	s	DIODE 1SS193
D703	8-719-801-48	s	DIODE 1SS193
D704	8-719-068-64	s	DIODE MA143A-(TX).SO
D705	8-719-068-64	s	DIODE MA143A-(TX).SO
D706	8-719-068-64	s	DIODE MA143A-(TX).SO
D707	8-719-068-64	s	DIODE MA143A-(TX).SO
D900	8-719-941-23	s	DIODE DA204U
D905	8-719-801-48	s	DIODE 1SS193
D906	8-719-801-48	s	DIODE 1SS193
D907	8-719-068-64	s	DIODE MA143A-(TX).SO
D908	8-719-068-64	s	DIODE MA143A-(TX).SO
D909	8-719-068-64	s	DIODE MA143A-(TX).SO
D910	8-719-068-64	s	DIODE MA143A-(TX).SO
D1530	8-719-017-09	s	DIODE 02DZ6.2-TPH3
D1531	8-719-017-09	s	DIODE 02DZ6.2-TPH3
D1540	8-719-017-09	s	DIODE 02DZ6.2-TPH3
D1541	8-719-017-09	s	DIODE 02DZ6.2-TPH3
D1550	8-719-017-09	s	DIODE 02DZ6.2-TPH3
D1551	8-719-017-09	s	DIODE 02DZ6.2-TPH3
FB1300	1-469-094-11	s	FERRITE, EMI (SMD)
FB1590	1-469-094-11	s	FERRITE, EMI (SMD)
IC2	8-759-491-46	s	IC TC74VHCT04AFT (EL)
IC4	8-759-479-32	s	IC SN75C1168NS (E05)
IC5	8-759-523-95	s	IC TC74VHC74FT(EL)
IC51	8-759-663-91	s	IC UPD78014FGC-684-AB8
IC52	8-759-524-07	s	IC TC74VHC138FT(EL)
IC53	8-759-524-40	s	IC TC74VHC373FT(EL)
IC54	8-752-381-84	s	IC CXD1095BQ
IC56	8-759-523-94	s	IC TC74VHC32FT(EL)
IC57	6-704-161-01	s	IC S-80840CNUA-B8ZT2G
IC58	8-759-523-78	s	IC TC74VHC00FT(EL)
IC59	6-704-161-01	s	IC S-80840CNUA-B8ZT2G
IC60	6-704-161-01	s	IC S-80840CNUA-B8ZT2G
IC100	8-759-064-92	s	IC NJM5532M-D
IC101	8-759-112-66	s	IC UPC812G2
IC102	8-759-745-64	s	IC NJM4560M
IC103	8-759-596-41	s	IC THAT2181SB-TE2
IC105	8-759-745-64	s	IC NJM4560M
IC106	8-759-745-64	s	IC NJM4560M
IC107	8-759-336-17	s	IC AK5390-VS
IC108	8-759-446-74	s	IC TA79L05F(TE12L)
IC109	8-759-234-08	s	IC TA78L05F
IC110	8-759-745-64	s	IC NJM4560M
IC112	8-759-523-95	s	IC TC74VHC74FT(EL)
IC117	8-759-745-64	s	IC NJM4560M
IC200	8-759-064-92	s	IC NJM5532M-D
IC201	8-759-112-66	s	IC UPC812G2
IC202	8-759-745-64	s	IC NJM4560M
IC203	8-759-596-41	s	IC THAT2181SB-TE2
IC205	8-759-745-64	s	IC NJM4560M
IC206	8-759-745-64	s	IC NJM4560M
IC210	8-759-745-64	s	IC NJM4560M
IC217	8-759-745-64	s	IC NJM4560M
IC300	8-759-064-92	s	IC NJM5532M-D
IC301	8-759-112-66	s	IC UPC812G2

(APR-1 BOARD suffix 16 or higher)

Ref. No. or Q'ty	Part No.	SP	Description
IC302	8-759-745-64	s	IC NJM4560M
IC303	8-759-596-41	s	IC THAT2181SB-TE2
IC305	8-759-745-64	s	IC NJM4560M
IC306	8-759-745-64	s	IC NJM4560M
IC307	8-759-336-17	s	IC AK5390-VS
IC308	8-759-446-74	s	IC TA79L05F (TE12L)
IC309	8-759-234-08	s	IC TA78L05F
IC310	8-759-745-64	s	IC NJM4560M
IC317	8-759-745-64	s	IC NJM4560M
IC400	8-759-064-92	s	IC NJM5532M-D
IC401	8-759-112-66	s	IC UPC812G2
IC402	8-759-745-64	s	IC NJM4560M
IC403	8-759-596-41	s	IC THAT2181SB-TE2
IC405	8-759-745-64	s	IC NJM4560M
IC406	8-759-745-64	s	IC NJM4560M
IC410	8-759-745-64	s	IC NJM4560M
IC417	8-759-745-64	s	IC NJM4560M
IC500	8-759-348-81	s	IC SM5843AS1 (E2)
IC501	8-759-593-52	s	IC PCM1702U-J/2K
IC502	8-759-064-92	s	IC NJM5532M-D
IC503	8-759-064-92	s	IC NJM5532M-D
IC504	8-759-234-08	s	IC TA78L05F
IC505	8-759-745-64	s	IC NJM4560M
IC506	8-759-745-64	s	IC NJM4560M
IC507	8-759-745-64	s	IC NJM4560M
IC508	8-759-745-64	s	IC NJM4560M
IC509	8-759-745-64	s	IC NJM4560M
IC510	8-759-745-64	s	IC NJM4560M
IC511	8-759-064-92	s	IC NJM5532M-D
IC512	8-759-064-92	s	IC NJM5532M-D
IC513	8-759-745-64	s	IC NJM4560M
IC514	8-759-064-92	s	IC NJM5532M-D
IC515	8-759-064-92	s	IC NJM5532M-D
IC516	8-759-745-64	s	IC NJM4560M
IC519	8-759-446-74	s	IC TA79L05F (TE12L)
IC520	8-759-593-52	s	IC PCM1702U-J/2K
IC521	8-759-234-08	s	IC TA78L05F
IC522	8-759-446-74	s	IC TA79L05F (TE12L)
IC700	8-759-348-81	s	IC SM5843AS1 (E2)
IC701	8-759-593-52	s	IC PCM1702U-J/2K
IC702	8-759-064-92	s	IC NJM5532M-D
IC703	8-759-064-92	s	IC NJM5532M-D
IC704	8-759-234-08	s	IC TA78L05F
IC705	8-759-745-64	s	IC NJM4560M
IC706	8-759-745-64	s	IC NJM4560M
IC707	8-759-745-64	s	IC NJM4560M
IC708	8-759-745-64	s	IC NJM4560M
IC709	8-759-745-64	s	IC NJM4560M
IC710	8-759-745-64	s	IC NJM4560M
IC711	8-759-064-92	s	IC NJM5532M-D
IC712	8-759-064-92	s	IC NJM5532M-D
IC713	8-759-745-64	s	IC NJM4560M
IC714	8-759-064-92	s	IC NJM5532M-D
IC715	8-759-064-92	s	IC NJM5532M-D
IC716	8-759-745-64	s	IC NJM4560M
IC719	8-759-446-74	s	IC TA79L05F (TE12L)
IC720	8-759-593-52	s	IC PCM1702U-J/2K
IC721	8-759-234-08	s	IC TA78L05F
IC722	8-759-446-74	s	IC TA79L05F (TE12L)

(APR-1 BOARD suffix 16 or higher)

Ref. No. or Q'ty	Part No.	SP	Description
IC900	8-759-348-81	s	IC SM5843AS1 (E2)
IC901	8-759-745-64	s	IC NJM4560M
IC902	8-759-593-54	s	IC PCM69AU-K/2K
IC903	8-759-530-05	s	IC TC4053BFT (EL.N)
IC904	8-759-064-92	s	IC NJM5532M-D
IC905	8-759-064-92	s	IC NJM5532M-D
IC906	8-759-234-08	s	IC TA78L05F
IC907	8-759-745-64	s	IC NJM4560M
IC908	8-759-745-64	s	IC NJM4560M
IC909	8-759-745-64	s	IC NJM4560M
IC910	8-759-234-08	s	IC TA78L05F
IC911	8-759-446-74	s	IC TA79L05F (TE12L)
IC912	8-759-745-64	s	IC NJM4560M
IC913	8-759-745-64	s	IC NJM4560M
IC914	8-759-745-64	s	IC NJM4560M
IC915	8-759-745-64	s	IC NJM4560M
IC916	8-759-745-64	s	IC NJM4560M
IC917	8-759-745-64	s	IC NJM4560M
IC918	8-759-064-92	s	IC NJM5532M-D
IC919	8-759-064-92	s	IC NJM5532M-D
IC920	8-759-745-64	s	IC NJM4560M
IC921	8-759-064-92	s	IC NJM5532M-D
IC922	8-759-064-92	s	IC NJM5532M-D
IC923	8-759-745-64	s	IC NJM4560M
IC1300	8-759-524-50	s	IC TC74VHC541FT (EL)
IC1301	8-759-491-46	s	IC TC74VHCT04AFT (EL)
IC1304	8-759-391-30	s	IC 74LVX3245QSCX
IC1306	8-759-524-28	s	IC TC74VHC245FT (EL)
IC1307	8-759-524-50	s	IC TC74VHC541FT (EL)
IC1530	8-759-064-92	s	IC NJM5532M-D
IC1531	8-759-064-92	s	IC NJM5532M-D
IC1540	8-759-064-92	s	IC NJM5532M-D
IC1541	8-759-064-92	s	IC NJM5532M-D
IC1550	8-759-064-92	s	IC NJM5532M-D
IC1551	8-759-064-92	s	IC NJM5532M-D
IC1560	8-759-391-30	s	IC 74LVX3245QSCX
IC1561	8-759-391-30	s	IC 74LVX3245QSCX
IC1562	8-759-590-19	s	IC CXD9068BR
IC1563	8-759-391-30	s	IC 74LVX3245QSCX
IC1564	8-759-391-30	s	IC 74LVX3245QSCX
IC1565	8-759-391-30	s	IC 74LVX3245QSCX
IC1570	8-759-391-30	s	IC 74LVX3245QSCX
PS1100	Δ 1-533-271-21	s	FUSE, CHIP
Q1	8-729-029-14	s	TRANSISTOR DTC144EUA-T106
Q2	8-729-028-91	s	TRANSISTOR DTA144EUA-T106
Q3	8-729-029-14	s	TRANSISTOR DTC144EUA-T106
Q4	8-729-028-91	s	TRANSISTOR DTA144EUA-T106
Q54	8-729-028-91	s	TRANSISTOR DTA144EUA-T106
Q55	8-729-029-14	s	TRANSISTOR DTC144EUA-T106
Q56	8-729-029-14	s	TRANSISTOR DTC144EUA-T106
Q57	8-729-029-14	s	TRANSISTOR DTC144EUA-T106
Q58	8-729-029-14	s	TRANSISTOR DTC144EUA-T106
Q59	8-729-029-14	s	TRANSISTOR DTC144EUA-T106
Q60	8-729-029-14	s	TRANSISTOR DTC144EUA-T106
Q61	8-729-029-14	s	TRANSISTOR DTC144EUA-T106
Q100	8-729-101-07	s	TRANSISTOR 2SB798
Q101	8-729-140-63	s	TRANSISTOR 2SA1611-M5M6
Q102	8-729-012-35	s	FET 2SK711-BL



(APR-1 BOARD suffix 16 or higher)

Ref. No. or Q'ty	Part No.	SP	Description
Q103	8-729-101-07	s	TRANSISTOR 2SB798
Q200	8-729-101-07	s	TRANSISTOR 2SB798
Q201	8-729-140-63	s	TRANSISTOR 2SA1611-M5M6
Q202	8-729-012-35	s	FET 2SK711-BL
Q203	8-729-101-07	s	TRANSISTOR 2SB798
Q300	8-729-101-07	s	TRANSISTOR 2SB798
Q301	8-729-140-63	s	TRANSISTOR 2SA1611-M5M6
Q302	8-729-012-35	s	FET 2SK711-BL
Q303	8-729-101-07	s	TRANSISTOR 2SB798
Q400	8-729-101-07	s	TRANSISTOR 2SB798
Q401	8-729-140-63	s	TRANSISTOR 2SA1611-M5M6
Q402	8-729-012-35	s	FET 2SK711-BL
Q403	8-729-101-07	s	TRANSISTOR 2SB798
Q500	8-729-012-35	s	FET 2SK711-BL
Q501	8-729-012-35	s	FET 2SK711-BL
Q504	8-729-140-63	s	TRANSISTOR 2SA1611-M5M6
Q505	8-729-140-63	s	TRANSISTOR 2SA1611-M5M6
Q506	8-729-807-51	s	TRANSISTOR 2SD1623-S
Q507	8-729-807-51	s	TRANSISTOR 2SD1623-S
Q700	8-729-012-35	s	FET 2SK711-BL
Q701	8-729-012-35	s	FET 2SK711-BL
Q704	8-729-140-63	s	TRANSISTOR 2SA1611-M5M6
Q705	8-729-140-63	s	TRANSISTOR 2SA1611-M5M6
Q706	8-729-807-51	s	TRANSISTOR 2SD1623-S
Q707	8-729-807-51	s	TRANSISTOR 2SD1623-S
Q900	8-729-012-35	s	FET 2SK711-BL
Q901	8-729-012-35	s	FET 2SK711-BL
Q904	8-729-140-63	s	TRANSISTOR 2SA1611-M5M6
Q905	8-729-140-63	s	TRANSISTOR 2SA1611-M5M6
Q906	8-729-807-51	s	TRANSISTOR 2SD1623-S
Q907	8-729-807-51	s	TRANSISTOR 2SD1623-S
Q1000	8-729-012-35	s	FET 2SK711-BL
Q1001	8-729-012-35	s	FET 2SK711-BL
R1	1-218-716-11	s	RESISTOR,CHIP 10K 1/16W(1608)
R2	1-218-716-11	s	RESISTOR,CHIP 10K 1/16W(1608)
R7	1-218-704-11	s	RESISTOR,CHIP 3.3K 1/16W(1608)
R8	1-218-704-11	s	RESISTOR,CHIP 3.3K 1/16W(1608)
R9	1-218-704-11	s	RESISTOR,CHIP 3.3K 1/16W(1608)
R10	1-218-704-11	s	RESISTOR,CHIP 3.3K 1/16W(1608)
R11	1-218-660-91	s	RESISTOR,CHIP 47 1/16W (1608)
R12	1-218-660-91	s	RESISTOR,CHIP 47 1/16W (1608)
R13	1-218-660-91	s	RESISTOR,CHIP 47 1/16W (1608)
R14	1-218-660-91	s	RESISTOR,CHIP 47 1/16W (1608)
R27	1-218-716-11	s	RESISTOR,CHIP 10K 1/16W(1608)
R28	1-218-684-11	s	RESISTOR,CHIP 470 1/16W (1608)
R29	1-218-692-11	s	RESISTOR,CHIP 1.0K 1/16W(1608)
R32	1-218-689-11	s	RESISTOR CHIP 750 1/16W (1608)
R34	1-218-700-11	s	RESISTOR,CHIP 2.2K 1/16W(1608)
R35	1-218-716-11	s	RESISTOR,CHIP 10K 1/16W(1608)
R41	1-218-668-11	s	RESISTOR,CHIP 100 1/16W (1608)
R42	1-218-734-11	s	RESISTOR,CHIP 56K 1/16W(1608)
R43	1-218-734-11	s	RESISTOR,CHIP 56K 1/16W(1608)
R44	1-218-716-11	s	RESISTOR,CHIP 10K 1/16W(1608)
R47	1-218-708-11	s	RESISTOR,CHIP 4.7K 1/16W(1608)
R48	1-218-699-11	s	RESISTOR,CHIP 2.0K 1/16W(1608)
R49	1-218-716-11	s	RESISTOR,CHIP 10K 1/16W(1608)
R51	1-218-684-11	s	RESISTOR,CHIP 470 1/16W (1608)
R52	1-218-716-11	s	RESISTOR,CHIP 10K 1/16W(1608)

(APR-1 BOARD suffix 16 or higher)

Ref. No. or Q'ty	Part No.	SP	Description
R53	1-218-684-11	s	RESISTOR,CHIP 470 1/16W (1608)
R62	1-218-716-11	s	RESISTOR,CHIP 10K 1/16W(1608)
R71	1-218-716-11	s	RESISTOR,CHIP 10K 1/16W(1608)
R73	1-218-716-11	s	RESISTOR,CHIP 10K 1/16W(1608)
R74	1-218-716-11	s	RESISTOR,CHIP 10K 1/16W(1608)
R83	1-218-707-11	s	RESISTOR,CHIP 4.3K 1/16W(1608)
R84	1-218-679-91	s	RESISTOR, METAL FILM 300 1/16W
R85	1-218-699-11	s	RESISTOR,CHIP 2.0K 1/16W(1608)
R86	1-218-708-11	s	RESISTOR,CHIP 4.7K 1/16W(1608)
R93	1-218-716-11	s	RESISTOR,CHIP 10K 1/16W(1608)
R94	1-218-692-11	s	RESISTOR,CHIP 1.0K 1/16W(1608)
R95	1-218-716-11	s	RESISTOR,CHIP 10K 1/16W(1608)
R96	1-218-716-11	s	RESISTOR,CHIP 10K 1/16W(1608)
R97	1-218-700-11	s	RESISTOR,CHIP 2.2K 1/16W(1608)
R98	1-218-716-11	s	RESISTOR,CHIP 10K 1/16W(1608)
R100	1-218-724-11	s	RESISTOR,CHIP 22K 1/16W(1608)
R101	1-218-724-11	s	RESISTOR,CHIP 22K 1/16W(1608)
R102	1-218-716-11	s	RESISTOR,CHIP 10K 1/16W(1608)
R103	1-218-367-11	s	RESISTOR,METAL FILM CHIP 10K
R104	1-218-367-11	s	RESISTOR,METAL FILM CHIP 10K
R105	1-218-699-11	s	RESISTOR,CHIP 2.0K 1/16W(1608)
R106	1-218-698-11	s	RESISTOR,CHIP 1.8K 1/16W(1608)
R107	1-218-708-11	s	RESISTOR,CHIP 4.7K 1/16W(1608)
R108	1-218-699-11	s	RESISTOR,CHIP 2.0K 1/16W(1608)
R109	1-218-716-11	s	RESISTOR,CHIP 10K 1/16W(1608)
R110	1-218-692-11	s	RESISTOR,CHIP 1.0K 1/16W(1608)
R111	1-218-650-11	s	RESISTOR,CHIP 18 1/16W (1608)
R112	1-218-668-11	s	RESISTOR,CHIP 100 1/16W (1608)
R113	1-218-702-11	s	RESISTOR CHIP 2.7K 1/16W(1608)
R114	1-218-682-11	s	RESISTOR,CHIP 390 1/16W (1608)
R115	1-218-709-11	s	RESISTOR,METAL 5.1K 1/16W
R116	1-216-857-11	s	RESISTOR, CHIP 1.0M 1/16W 1608
R117	1-216-857-11	s	RESISTOR, CHIP 1.0M 1/16W 1608
R118	1-211-998-11	s	RESISTOR, METAL FILM CHIP 4.7K
R119	1-211-998-11	s	RESISTOR, METAL FILM CHIP 4.7K
R120	1-211-998-11	s	RESISTOR, METAL FILM CHIP 4.7K
R121	1-211-998-11	s	RESISTOR, METAL FILM CHIP 4.7K
R123	1-218-704-11	s	RESISTOR,CHIP 3.3K 1/16W(1608)
R124	1-220-636-11	s	RESISTOR,METAL FILM CHIP 2.7K
R125	1-218-711-11	s	RESISTOR,METAL 6.2K 1/16W
R126	1-218-682-11	s	RESISTOR,CHIP 390 1/16W (1608)
R127	1-218-692-11	s	RESISTOR,CHIP 1.0K 1/16W(1608)
R128	1-220-636-11	s	RESISTOR,METAL FILM CHIP 2.7K
R129	1-218-708-11	s	RESISTOR,CHIP 4.7K 1/16W(1608)
R130	1-218-692-11	s	RESISTOR,CHIP 1.0K 1/16W(1608)
R131	1-218-723-11	s	RESISTOR,CHIP 20K 1/16W(1608)
R132	1-218-668-11	s	RESISTOR,CHIP 100 1/16W (1608)
R133	1-218-709-11	s	RESISTOR,METAL 5.1K 1/16W
R135	1-218-738-11	s	RESISTOR,CHIP 82K 1/16W(1608)
R136	1-218-716-11	s	RESISTOR,CHIP 10K 1/16W(1608)
R137	1-218-725-11	s	RESISTOR,CHIP 24K 1/16W(1608)
R138	1-218-725-11	s	RESISTOR,CHIP 24K 1/16W(1608)
R139	1-218-716-11	s	RESISTOR,CHIP 10K 1/16W(1608)
R141	1-218-692-11	s	RESISTOR,CHIP 1.0K 1/16W(1608)
R142	1-218-706-11	s	RESISTOR,CHIP 3.9K 1/16W(1608)
R143	1-218-724-11	s	RESISTOR,CHIP 22K 1/16W(1608)
R144	1-218-723-11	s	RESISTOR,CHIP 20K 1/16W(1608)
R145	1-218-738-11	s	RESISTOR,CHIP 82K 1/16W(1608)
R146	1-218-696-11	s	RESISTOR,CHIP 1.5K 1/16W(1608)

(APR-1 BOARD suffix 16 or higher)

Ref. No. or Q'ty	Part No.	SP Description
R149	1-218-708-11	s RESISTOR,CHIP 4.7K 1/16W(1608)
R150	1-218-702-11	s RESISTOR CHIP 2.7K 1/16W(1608)
R151	1-218-692-11	s RESISTOR,CHIP 1.0K 1/16W(1608)
R152	1-218-700-11	s RESISTOR,CHIP 2.2K 1/16W(1608)
R153	1-216-857-11	s RESISTOR, CHIP 1.0M 1/16W 1608
R154	1-218-720-11	s RESISTOR,CHIP 15K 1/16W(1608)
R155	1-218-720-11	s RESISTOR,CHIP 15K 1/16W(1608)
R156	1-218-716-11	s RESISTOR,CHIP 10K 1/16W(1608)
R157	1-218-691-11	s RESISTOR,CHIP 910 1/16W (1608)
R158	1-218-691-11	s RESISTOR,CHIP 910 1/16W (1608)
R159	1-218-715-11	s RESISTOR,METAL 9.1K 1/16W
R160	1-218-716-11	s RESISTOR,CHIP 10K 1/16W(1608)
R161	1-218-716-11	s RESISTOR,CHIP 10K 1/16W(1608)
R162	1-218-711-11	s RESISTOR,METAL 6.2K 1/16W
R163	1-218-658-11	s RESISTOR,CHIP 39 1/16W (1608)
R164	1-218-716-11	s RESISTOR,CHIP 10K 1/16W(1608)
R165	1-218-658-11	s RESISTOR,CHIP 39 1/16W (1608)
R166	1-218-719-11	s RESISTOR,METAL 13K 1/16
R167	1-218-684-11	s RESISTOR,CHIP 470 1/16W (1608)
R169	1-218-708-11	s RESISTOR,CHIP 4.7K 1/16W(1608)
R172	1-218-711-11	s RESISTOR,METAL 6.2K 1/16W
R173	1-218-668-11	s RESISTOR,CHIP 100 1/16W (1608)
R174	1-218-708-11	s RESISTOR,CHIP 4.7K 1/16W(1608)
R175	1-218-708-11	s RESISTOR,CHIP 4.7K 1/16W(1608)
R176	1-218-708-11	s RESISTOR,CHIP 4.7K 1/16W(1608)
R177	1-218-708-11	s RESISTOR,CHIP 4.7K 1/16W(1608)
R178	1-218-704-11	s RESISTOR,CHIP 3.3K 1/16W(1608)
R179	1-218-716-11	s RESISTOR,CHIP 10K 1/16W(1608)
R180	1-218-740-11	s RESISTOR,CHIP 100K 1/16W(1608)
R181	1-218-740-11	s RESISTOR,CHIP 100K 1/16W(1608)
R184	1-218-660-91	s RESISTOR,CHIP 47 1/16W (1608)
R185	1-218-698-11	s RESISTOR,CHIP 1.8K 1/16W(1608)
R200	1-218-724-11	s RESISTOR,CHIP 22K 1/16W(1608)
R201	1-218-724-11	s RESISTOR,CHIP 22K 1/16W(1608)
R202	1-218-716-11	s RESISTOR,CHIP 10K 1/16W(1608)
R203	1-218-367-11	s RESISTOR,METAL FILM CHIP 10K
R204	1-218-367-11	s RESISTOR,METAL FILM CHIP 10K
R205	1-218-699-11	s RESISTOR,CHIP 2.0K 1/16W(1608)
R206	1-218-698-11	s RESISTOR,CHIP 1.8K 1/16W(1608)
R207	1-218-708-11	s RESISTOR,CHIP 4.7K 1/16W(1608)
R208	1-218-699-11	s RESISTOR,CHIP 2.0K 1/16W(1608)
R209	1-218-716-11	s RESISTOR,CHIP 10K 1/16W(1608)
R210	1-218-692-11	s RESISTOR,CHIP 1.0K 1/16W(1608)
R211	1-218-650-11	s RESISTOR,CHIP 18 1/16W (1608)
R212	1-218-668-11	s RESISTOR,CHIP 100 1/16W (1608)
R213	1-218-702-11	s RESISTOR CHIP 2.7K 1/16W(1608)
R214	1-218-682-11	s RESISTOR,CHIP 390 1/16W (1608)
R215	1-218-709-11	s RESISTOR,METAL 5.1K 1/16W
R216	1-216-857-11	s RESISTOR, CHIP 1.0M 1/16W 1608
R217	1-216-857-11	s RESISTOR, CHIP 1.0M 1/16W 1608
R218	1-211-998-11	s RESISTOR, METAL FILM CHIP 4.7K
R219	1-211-998-11	s RESISTOR, METAL FILM CHIP 4.7K
R220	1-211-998-11	s RESISTOR, METAL FILM CHIP 4.7K
R221	1-211-998-11	s RESISTOR, METAL FILM CHIP 4.7K
R223	1-218-704-11	s RESISTOR,CHIP 3.3K 1/16W(1608)
R224	1-220-636-11	s RESISTOR,METAL FILM CHIP 2.7K
R225	1-218-711-11	s RESISTOR,METAL 6.2K 1/16W
R226	1-218-682-11	s RESISTOR,CHIP 390 1/16W (1608)
R227	1-218-692-11	s RESISTOR,CHIP 1.0K 1/16W(1608)

(APR-1 BOARD suffix 16 or higher)

Ref. No. or Q'ty	Part No.	SP Description
R228	1-220-636-11	s RESISTOR,METAL FILM CHIP 2.7K
R229	1-218-708-11	s RESISTOR,CHIP 4.7K 1/16W(1608)
R230	1-218-692-11	s RESISTOR,CHIP 1.0K 1/16W(1608)
R231	1-218-723-11	s RESISTOR,CHIP 20K 1/16W(1608)
R232	1-218-668-11	s RESISTOR,CHIP 100 1/16W (1608)
R233	1-218-709-11	s RESISTOR,METAL 5.1K 1/16W
R235	1-218-738-11	s RESISTOR,CHIP 82K 1/16W(1608)
R236	1-218-716-11	s RESISTOR,CHIP 10K 1/16W(1608)
R237	1-218-725-11	s RESISTOR,CHIP 24K 1/16W(1608)
R238	1-218-725-11	s RESISTOR,CHIP 24K 1/16W(1608)
R239	1-218-716-11	s RESISTOR,CHIP 10K 1/16W(1608)
R241	1-218-692-11	s RESISTOR,CHIP 1.0K 1/16W(1608)
R242	1-218-706-11	s RESISTOR,CHIP 3.9K 1/16W(1608)
R243	1-218-724-11	s RESISTOR,CHIP 22K 1/16W(1608)
R244	1-218-723-11	s RESISTOR,CHIP 20K 1/16W(1608)
R245	1-218-738-11	s RESISTOR,CHIP 82K 1/16W(1608)
R246	1-218-696-11	s RESISTOR,CHIP 1.5K 1/16W(1608)
R249	1-218-708-11	s RESISTOR,CHIP 4.7K 1/16W(1608)
R250	1-218-702-11	s RESISTOR CHIP 2.7K 1/16W(1608)
R251	1-218-692-11	s RESISTOR,CHIP 1.0K 1/16W(1608)
R252	1-218-700-11	s RESISTOR,CHIP 2.2K 1/16W(1608)
R253	1-216-857-11	s RESISTOR, CHIP 1.0M 1/16W 1608
R254	1-218-720-11	s RESISTOR,CHIP 15K 1/16W(1608)
R255	1-218-720-11	s RESISTOR,CHIP 15K 1/16W(1608)
R256	1-218-716-11	s RESISTOR,CHIP 10K 1/16W(1608)
R257	1-218-691-11	s RESISTOR,CHIP 910 1/16W (1608)
R258	1-218-691-11	s RESISTOR,CHIP 910 1/16W (1608)
R259	1-218-715-11	s RESISTOR,METAL 9.1K 1/16W
R260	1-218-716-11	s RESISTOR,CHIP 10K 1/16W(1608)
R261	1-218-716-11	s RESISTOR,CHIP 10K 1/16W(1608)
R262	1-218-711-11	s RESISTOR,METAL 6.2K 1/16W
R263	1-218-658-11	s RESISTOR,CHIP 39 1/16W (1608)
R264	1-218-716-11	s RESISTOR,CHIP 10K 1/16W(1608)
R265	1-218-658-11	s RESISTOR,CHIP 39 1/16W (1608)
R266	1-218-719-11	s RESISTOR,METAL 13K 1/16
R267	1-218-684-11	s RESISTOR,CHIP 470 1/16W (1608)
R269	1-218-708-11	s RESISTOR,CHIP 4.7K 1/16W(1608)
R272	1-218-711-11	s RESISTOR,METAL 6.2K 1/16W
R273	1-218-668-11	s RESISTOR,CHIP 100 1/16W (1608)
R274	1-218-708-11	s RESISTOR,CHIP 4.7K 1/16W(1608)
R275	1-218-708-11	s RESISTOR,CHIP 4.7K 1/16W(1608)
R276	1-218-708-11	s RESISTOR,CHIP 4.7K 1/16W(1608)
R277	1-218-708-11	s RESISTOR,CHIP 4.7K 1/16W(1608)
R278	1-218-704-11	s RESISTOR,CHIP 3.3K 1/16W(1608)
R279	1-218-716-11	s RESISTOR,CHIP 10K 1/16W(1608)
R280	1-218-740-11	s RESISTOR,CHIP 100K 1/16W(1608)
R281	1-218-740-11	s RESISTOR,CHIP 100K 1/16W(1608)
R285	1-218-698-11	s RESISTOR,CHIP 1.8K 1/16W(1608)
R300	1-218-724-11	s RESISTOR,CHIP 22K 1/16W(1608)
R301	1-218-724-11	s RESISTOR,CHIP 22K 1/16W(1608)
R302	1-218-716-11	s RESISTOR,CHIP 10K 1/16W(1608)
R303	1-218-367-11	s RESISTOR,METAL FILM CHIP 10K
R304	1-218-367-11	s RESISTOR,METAL FILM CHIP 10K
R305	1-218-699-11	s RESISTOR,CHIP 2.0K 1/16W(1608)
R306	1-218-698-11	s RESISTOR,CHIP 1.8K 1/16W(1608)
R307	1-218-708-11	s RESISTOR,CHIP 4.7K 1/16W(1608)
R308	1-218-699-11	s RESISTOR,CHIP 2.0K 1/16W(1608)
R309	1-218-716-11	s RESISTOR,CHIP 10K 1/16W(1608)
R310	1-218-692-11	s RESISTOR,CHIP 1.0K 1/16W(1608)

(APR-1 BOARD suffix 16 or higher)

Ref. No. or Q'ty	Part No.	SP	Description
R311	1-218-650-11	s	RESISTOR,CHIP 18 1/16W (1608)
R312	1-218-668-11	s	RESISTOR,CHIP 100 1/16W (1608)
R313	1-218-702-11	s	RESISTOR,CHIP 2.7K 1/16W(1608)
R314	1-218-682-11	s	RESISTOR,CHIP 390 1/16W (1608)
R315	1-218-709-11	s	RESISTOR,METAL 5.1K 1/16W
R316	1-216-857-11	s	RESISTOR, CHIP 1.0M 1/16W 1608
R317	1-216-857-11	s	RESISTOR, CHIP 1.0M 1/16W 1608
R318	1-211-998-11	s	RESISTOR, METAL FILM CHIP 4.7K
R319	1-211-998-11	s	RESISTOR, METAL FILM CHIP 4.7K
R320	1-211-998-11	s	RESISTOR, METAL FILM CHIP 4.7K
R321	1-211-998-11	s	RESISTOR, METAL FILM CHIP 4.7K
R323	1-218-704-11	s	RESISTOR,CHIP 3.3K 1/16W(1608)
R324	1-220-636-11	s	RESISTOR,METAL FILM CHIP 2.7K
R325	1-218-711-11	s	RESISTOR,METAL 6.2K 1/16W
R326	1-218-682-11	s	RESISTOR,CHIP 390 1/16W (1608)
R327	1-218-692-11	s	RESISTOR,CHIP 1.0K 1/16W(1608)
R328	1-220-636-11	s	RESISTOR,METAL FILM CHIP 2.7K
R329	1-218-708-11	s	RESISTOR,CHIP 4.7K 1/16W(1608)
R330	1-218-692-11	s	RESISTOR,CHIP 1.0K 1/16W(1608)
R331	1-218-723-11	s	RESISTOR,CHIP 20K 1/16W(1608)
R332	1-218-668-11	s	RESISTOR,CHIP 100 1/16W (1608)
R333	1-218-709-11	s	RESISTOR,METAL 5.1K 1/16W
R335	1-218-738-11	s	RESISTOR,CHIP 82K 1/16W(1608)
R336	1-218-716-11	s	RESISTOR,CHIP 10K 1/16W(1608)
R337	1-218-725-11	s	RESISTOR,CHIP 24K 1/16W(1608)
R338	1-218-725-11	s	RESISTOR,CHIP 24K 1/16W(1608)
R339	1-218-716-11	s	RESISTOR,CHIP 10K 1/16W(1608)
R341	1-218-692-11	s	RESISTOR,CHIP 1.0K 1/16W(1608)
R342	1-218-706-11	s	RESISTOR,CHIP 3.9K 1/16W(1608)
R343	1-218-724-11	s	RESISTOR,CHIP 22K 1/16W(1608)
R344	1-218-723-11	s	RESISTOR,CHIP 20K 1/16W(1608)
R345	1-218-738-11	s	RESISTOR,CHIP 82K 1/16W(1608)
R346	1-218-696-11	s	RESISTOR,CHIP 1.5K 1/16W(1608)
R349	1-218-708-11	s	RESISTOR,CHIP 4.7K 1/16W(1608)
R350	1-218-702-11	s	RESISTOR CHIP 2.7K 1/16W(1608)
R351	1-218-692-11	s	RESISTOR,CHIP 1.0K 1/16W(1608)
R352	1-218-700-11	s	RESISTOR,CHIP 2.2K 1/16W(1608)
R353	1-216-857-11	s	RESISTOR, CHIP 1.0M 1/16W 1608
R354	1-218-720-11	s	RESISTOR,CHIP 15K 1/16W(1608)
R355	1-218-720-11	s	RESISTOR,CHIP 15K 1/16W(1608)
R356	1-218-716-11	s	RESISTOR,CHIP 10K 1/16W(1608)
R357	1-218-691-11	s	RESISTOR,CHIP 910 1/16W (1608)
R358	1-218-691-11	s	RESISTOR,CHIP 910 1/16W (1608)
R359	1-218-715-11	s	RESISTOR,METAL 9.1K 1/16W
R360	1-218-716-11	s	RESISTOR,CHIP 10K 1/16W(1608)
R361	1-218-716-11	s	RESISTOR,CHIP 10K 1/16W(1608)
R362	1-218-711-11	s	RESISTOR,METAL 6.2K 1/16W
R363	1-218-658-11	s	RESISTOR,CHIP 39 1/16W (1608)
R364	1-218-716-11	s	RESISTOR,CHIP 10K 1/16W(1608)
R365	1-218-658-11	s	RESISTOR,CHIP 39 1/16W (1608)
R366	1-218-719-11	s	RESISTOR,METAL 13K 1/16
R367	1-218-684-11	s	RESISTOR,CHIP 470 1/16W (1608)
R369	1-218-708-11	s	RESISTOR,CHIP 4.7K 1/16W(1608)
R372	1-218-711-11	s	RESISTOR,METAL 6.2K 1/16W
R373	1-218-668-11	s	RESISTOR,CHIP 100 1/16W (1608)
R374	1-218-708-11	s	RESISTOR,CHIP 4.7K 1/16W(1608)
R375	1-218-708-11	s	RESISTOR,CHIP 4.7K 1/16W(1608)
R376	1-218-708-11	s	RESISTOR,CHIP 4.7K 1/16W(1608)
R377	1-218-708-11	s	RESISTOR,CHIP 4.7K 1/16W(1608)

(APR-1 BOARD suffix 16 or higher)

Ref. No. or Q'ty	Part No.	SP	Description
R378	1-218-704-11	s	RESISTOR,CHIP 3.3K 1/16W(1608)
R379	1-218-716-11	s	RESISTOR,CHIP 10K 1/16W(1608)
R380	1-218-740-11	s	RESISTOR,CHIP 100K 1/16W(1608)
R381	1-218-740-11	s	RESISTOR,CHIP 100K 1/16W(1608)
R384	1-218-660-91	s	RESISTOR,CHIP 47 1/16W (1608)
R385	1-218-698-11	s	RESISTOR,CHIP 1.8K 1/16W(1608)
R400	1-218-724-11	s	RESISTOR,CHIP 22K 1/16W(1608)
R401	1-218-724-11	s	RESISTOR,CHIP 22K 1/16W(1608)
R402	1-218-716-11	s	RESISTOR,CHIP 10K 1/16W(1608)
R403	1-218-367-11	s	RESISTOR,METAL FILM CHIP 10K
R404	1-218-367-11	s	RESISTOR,METAL FILM CHIP 10K
R405	1-218-699-11	s	RESISTOR,CHIP 2.0K 1/16W(1608)
R406	1-218-698-11	s	RESISTOR,CHIP 1.8K 1/16W(1608)
R407	1-218-708-11	s	RESISTOR,CHIP 4.7K 1/16W(1608)
R408	1-218-699-11	s	RESISTOR,CHIP 2.0K 1/16W(1608)
R409	1-218-716-11	s	RESISTOR,CHIP 10K 1/16W(1608)
R410	1-218-692-11	s	RESISTOR,CHIP 1.0K 1/16W(1608)
R411	1-218-650-11	s	RESISTOR,CHIP 18 1/16W (1608)
R412	1-218-668-11	s	RESISTOR,CHIP 100 1/16W (1608)
R413	1-218-702-11	s	RESISTOR CHIP 2.7K 1/16W(1608)
R414	1-218-682-11	s	RESISTOR,CHIP 390 1/16W (1608)
R415	1-218-709-11	s	RESISTOR,METAL 5.1K 1/16W
R416	1-216-857-11	s	RESISTOR, CHIP 1.0M 1/16W 1608
R417	1-216-857-11	s	RESISTOR, CHIP 1.0M 1/16W 1608
R418	1-211-998-11	s	RESISTOR, METAL FILM CHIP 4.7K
R419	1-211-998-11	s	RESISTOR, METAL FILM CHIP 4.7K
R420	1-211-998-11	s	RESISTOR, METAL FILM CHIP 4.7K
R421	1-211-998-11	s	RESISTOR, METAL FILM CHIP 4.7K
R423	1-218-704-11	s	RESISTOR,CHIP 3.3K 1/16W(1608)
R424	1-220-636-11	s	RESISTOR,METAL FILM CHIP 2.7K
R425	1-218-711-11	s	RESISTOR,METAL 6.2K 1/16W
R426	1-218-682-11	s	RESISTOR,CHIP 390 1/16W (1608)
R427	1-218-692-11	s	RESISTOR,CHIP 1.0K 1/16W(1608)
R428	1-220-636-11	s	RESISTOR,METAL FILM CHIP 2.7K
R429	1-218-708-11	s	RESISTOR,CHIP 4.7K 1/16W(1608)
R430	1-218-692-11	s	RESISTOR,CHIP 1.0K 1/16W(1608)
R431	1-218-723-11	s	RESISTOR,CHIP 20K 1/16W(1608)
R432	1-218-668-11	s	RESISTOR,CHIP 100 1/16W (1608)
R433	1-218-709-11	s	RESISTOR,METAL 5.1K 1/16W
R435	1-218-738-11	s	RESISTOR,CHIP 82K 1/16W(1608)
R436	1-218-716-11	s	RESISTOR,CHIP 10K 1/16W(1608)
R437	1-218-725-11	s	RESISTOR,CHIP 24K 1/16W(1608)
R438	1-218-725-11	s	RESISTOR,CHIP 24K 1/16W(1608)
R439	1-218-716-11	s	RESISTOR,CHIP 10K 1/16W(1608)
R441	1-218-692-11	s	RESISTOR,CHIP 1.0K 1/16W(1608)
R442	1-218-706-11	s	RESISTOR,CHIP 3.9K 1/16W(1608)
R443	1-218-724-11	s	RESISTOR,CHIP 22K 1/16W(1608)
R444	1-218-723-11	s	RESISTOR,CHIP 20K 1/16W(1608)
R445	1-218-738-11	s	RESISTOR,CHIP 82K 1/16W(1608)
R446	1-218-696-11	s	RESISTOR,CHIP 1.5K 1/16W(1608)
R449	1-218-708-11	s	RESISTOR,CHIP 4.7K 1/16W(1608)
R450	1-218-702-11	s	RESISTOR CHIP 2.7K 1/16W(1608)
R451	1-218-692-11	s	RESISTOR,CHIP 1.0K 1/16W(1608)
R452	1-218-700-11	s	RESISTOR,CHIP 2.2K 1/16W(1608)
R453	1-216-857-11	s	RESISTOR, CHIP 1.0M 1/16W 1608
R454	1-218-720-11	s	RESISTOR,CHIP 15K 1/16W(1608)
R455	1-218-720-11	s	RESISTOR,CHIP 15K 1/16W(1608)
R456	1-218-716-11	s	RESISTOR,CHIP 10K 1/16W(1608)
R457	1-218-691-11	s	RESISTOR,CHIP 910 1/16W (1608)

(APR-1 BOARD suffix 16 or higher)

Ref. No. or Q'ty	Part No.	SP Description
R458	1-218-691-11	s RESISTOR,CHIP 910 1/16W (1608)
R459	1-218-715-11	s RESISTOR,METAL 9.1K 1/16W
R460	1-218-716-11	s RESISTOR,CHIP 10K 1/16W(1608)
R461	1-218-716-11	s RESISTOR,CHIP 10K 1/16W(1608)
R462	1-218-711-11	s RESISTOR,METAL 6.2K 1/16W
R463	1-218-658-11	s RESISTOR,CHIP 39 1/16W (1608)
R464	1-218-716-11	s RESISTOR,CHIP 10K 1/16W(1608)
R465	1-218-658-11	s RESISTOR,CHIP 39 1/16W (1608)
R466	1-218-719-11	s RESISTOR,METAL 13K 1/16
R467	1-218-684-11	s RESISTOR,CHIP 470 1/16W (1608)
R469	1-218-708-11	s RESISTOR,CHIP 4.7K 1/16W(1608)
R472	1-218-711-11	s RESISTOR,METAL 6.2K 1/16W
R473	1-218-668-11	s RESISTOR,CHIP 100 1/16W (1608)
R474	1-218-708-11	s RESISTOR,CHIP 4.7K 1/16W(1608)
R475	1-218-708-11	s RESISTOR,CHIP 4.7K 1/16W(1608)
R476	1-218-708-11	s RESISTOR,CHIP 4.7K 1/16W(1608)
R477	1-218-708-11	s RESISTOR,CHIP 4.7K 1/16W(1608)
R478	1-218-704-11	s RESISTOR,CHIP 3.3K 1/16W(1608)
R479	1-218-716-11	s RESISTOR,CHIP 10K 1/16W(1608)
R480	1-218-740-11	s RESISTOR,CHIP 100K 1/16W(1608)
R481	1-218-740-11	s RESISTOR,CHIP 100K 1/16W(1608)
R485	1-218-698-11	s RESISTOR,CHIP 1.8K 1/16W(1608)
R501	1-218-716-11	s RESISTOR,CHIP 10K 1/16W(1608)
R503	1-218-716-11	s RESISTOR,CHIP 10K 1/16W(1608)
R504	1-218-716-11	s RESISTOR,CHIP 10K 1/16W(1608)
R505	1-216-857-11	s RESISTOR, CHIP 1.0M 1/16W 1608
R506	1-216-857-11	s RESISTOR, CHIP 1.0M 1/16W 1608
R507	1-218-700-11	s RESISTOR,CHIP 2.2K 1/16W(1608)
R508	1-218-700-11	s RESISTOR,CHIP 2.2K 1/16W(1608)
R509	1-218-679-91	s RESISTOR, METAL FILM 300 1/16W
R510	1-218-679-91	s RESISTOR, METAL FILM 300 1/16W
R511	1-218-717-11	s RESISTOR,CHIP 11K 1/16W (1608)
R512	1-218-717-11	s RESISTOR,CHIP 11K 1/16W (1608)
R513	1-218-724-11	s RESISTOR,CHIP 22K 1/16W(1608)
R514	1-218-724-11	s RESISTOR,CHIP 22K 1/16W(1608)
R515	1-218-696-11	s RESISTOR,CHIP 1.5K 1/16W(1608)
R516	1-218-696-11	s RESISTOR,CHIP 1.5K 1/16W(1608)
R517	1-218-696-11	s RESISTOR,CHIP 1.5K 1/16W(1608)
R518	1-218-696-11	s RESISTOR,CHIP 1.5K 1/16W(1608)
R519	1-218-720-11	s RESISTOR,CHIP 15K 1/16W(1608)
R520	1-218-720-11	s RESISTOR,CHIP 15K 1/16W(1608)
R521	1-218-720-11	s RESISTOR,CHIP 15K 1/16W(1608)
R522	1-218-720-11	s RESISTOR,CHIP 15K 1/16W(1608)
R523	1-218-692-11	s RESISTOR,CHIP 1.0K 1/16W(1608)
R524	1-218-692-11	s RESISTOR,CHIP 1.0K 1/16W(1608)
R525	1-218-738-11	s RESISTOR,CHIP 82K 1/16W(1608)
R526	1-218-738-11	s RESISTOR,CHIP 82K 1/16W(1608)
R527	1-218-700-11	s RESISTOR,CHIP 2.2K 1/16W(1608)
R528	1-218-700-11	s RESISTOR,CHIP 2.2K 1/16W(1608)
R533	1-218-724-11	s RESISTOR,CHIP 22K 1/16W(1608)
R534	1-218-724-11	s RESISTOR,CHIP 22K 1/16W(1608)
R535	1-218-692-11	s RESISTOR,CHIP 1.0K 1/16W(1608)
R536	1-218-706-11	s RESISTOR,CHIP 3.9K 1/16W(1608)
R537	1-218-692-11	s RESISTOR,CHIP 1.0K 1/16W(1608)
R538	1-218-706-11	s RESISTOR,CHIP 3.9K 1/16W(1608)
R539	1-218-716-11	s RESISTOR,CHIP 10K 1/16W(1608)
R540	1-218-716-11	s RESISTOR,CHIP 10K 1/16W(1608)
R541	1-218-716-11	s RESISTOR,CHIP 10K 1/16W(1608)
R542	1-218-716-11	s RESISTOR,CHIP 10K 1/16W(1608)

(APR-1 BOARD suffix 16 or higher)

Ref. No. or Q'ty	Part No.	SP Description
R543	1-218-716-11	s RESISTOR,CHIP 10K 1/16W(1608)
R544	1-218-716-11	s RESISTOR,CHIP 10K 1/16W(1608)
R545	1-218-720-11	s RESISTOR,CHIP 15K 1/16W(1608)
R546	1-218-720-11	s RESISTOR,CHIP 15K 1/16W(1608)
R547	1-218-723-11	s RESISTOR,CHIP 20K 1/16W(1608)
R548	1-218-718-11	s RESISTOR CHIP 12K 1/16W (1608)
R549	1-218-714-11	s RESISTOR,CHIP 8.2K 1/16W(1608)
R550	1-218-723-11	s RESISTOR,CHIP 20K 1/16W(1608)
R551	1-218-718-11	s RESISTOR CHIP 12K 1/16W (1608)
R552	1-218-714-11	s RESISTOR,CHIP 8.2K 1/16W(1608)
R553	1-218-693-11	s RESISTOR,CHIP 1.1K 1/16W(1608)
R554	1-218-693-11	s RESISTOR,CHIP 1.1K 1/16W(1608)
R555	1-218-682-11	s RESISTOR,CHIP 390 1/16W (1608)
R556	1-218-687-11	s RESISTOR CHIP 620 1/16W (1608)
R557	1-218-689-11	s RESISTOR CHIP 750 1/16W (1608)
R558	1-218-672-11	s RESISTOR,CHIP 150 1/16W(1608)
R559	1-218-682-11	s RESISTOR,CHIP 390 1/16W (1608)
R560	1-218-687-11	s RESISTOR CHIP 620 1/16W (1608)
R561	1-218-689-11	s RESISTOR CHIP 750 1/16W (1608)
R562	1-218-672-11	s RESISTOR,CHIP 150 1/16W(1608)
R563	1-218-367-11	s RESISTOR,METAL FILM CHIP 10K
R564	1-218-367-11	s RESISTOR,METAL FILM CHIP 10K
R565	1-218-367-11	s RESISTOR,METAL FILM CHIP 10K
R566	1-218-367-11	s RESISTOR,METAL FILM CHIP 10K
R567	1-211-998-11	s RESISTOR, METAL FILM CHIP 4.7K
R568	1-211-998-11	s RESISTOR, METAL FILM CHIP 4.7K
R569	1-211-998-11	s RESISTOR, METAL FILM CHIP 4.7K
R570	1-211-998-11	s RESISTOR, METAL FILM CHIP 4.7K
R571	1-211-998-11	s RESISTOR, METAL FILM CHIP 4.7K
R572	1-211-998-11	s RESISTOR, METAL FILM CHIP 4.7K
R573	1-211-998-11	s RESISTOR, METAL FILM CHIP 4.7K
R574	1-211-998-11	s RESISTOR, METAL FILM CHIP 4.7K
R575	1-218-367-11	s RESISTOR,METAL FILM CHIP 10K
R576	1-218-367-11	s RESISTOR,METAL FILM CHIP 10K
R577	1-218-367-11	s RESISTOR,METAL FILM CHIP 10K
R578	1-218-367-11	s RESISTOR,METAL FILM CHIP 10K
R579	1-218-692-11	s RESISTOR,CHIP 1.0K 1/16W(1608)
R580	1-218-367-11	s RESISTOR,METAL FILM CHIP 10K
R581	1-218-740-11	s RESISTOR,CHIP 100K 1/16W(1608)
R582	1-218-367-11	s RESISTOR,METAL FILM CHIP 10K
R583	1-218-692-11	s RESISTOR,CHIP 1.0K 1/16W(1608)
R584	1-218-740-11	s RESISTOR,CHIP 100K 1/16W(1608)
R585	1-218-692-11	s RESISTOR,CHIP 1.0K 1/16W(1608)
R586	1-218-367-11	s RESISTOR,METAL FILM CHIP 10K
R587	1-218-740-11	s RESISTOR,CHIP 100K 1/16W(1608)
R588	1-218-367-11	s RESISTOR,METAL FILM CHIP 10K
R589	1-218-692-11	s RESISTOR,CHIP 1.0K 1/16W(1608)
R590	1-218-740-11	s RESISTOR,CHIP 100K 1/16W(1608)
R591	1-218-660-91	s RESISTOR,CHIP 47 1/16W (1608)
R592	1-218-660-91	s RESISTOR,CHIP 47 1/16W (1608)
R593	1-218-660-91	s RESISTOR,CHIP 47 1/16W (1608)
R594	1-218-660-91	s RESISTOR,CHIP 47 1/16W (1608)
R595	1-218-740-11	s RESISTOR,CHIP 100K 1/16W(1608)
R596	1-218-740-11	s RESISTOR,CHIP 100K 1/16W(1608)
R597	1-218-740-11	s RESISTOR,CHIP 100K 1/16W(1608)
R598	1-218-740-11	s RESISTOR,CHIP 100K 1/16W(1608)
R599	1-242-834-11	s RESISTOR, METAL FILM CHIP 33
R600	1-242-834-11	s RESISTOR, METAL FILM CHIP 33
R601	1-218-716-11	s RESISTOR,CHIP 10K 1/16W(1608)

(APR-1 BOARD suffix 16 or higher)

Ref. No. or Q'ty	Part No.	SP	Description
R602	1-218-716-11	s	RESISTOR,CHIP 10K 1/16W(1608)
R603	1-242-834-11	s	RESISTOR, METAL FILM CHIP 33
R604	1-242-834-11	s	RESISTOR, METAL FILM CHIP 33
R605	1-218-716-11	s	RESISTOR,CHIP 10K 1/16W(1608)
R606	1-218-716-11	s	RESISTOR,CHIP 10K 1/16W(1608)
R607	1-242-834-11	s	RESISTOR, METAL FILM CHIP 33
R608	1-242-834-11	s	RESISTOR, METAL FILM CHIP 33
R609	1-218-716-11	s	RESISTOR,CHIP 10K 1/16W(1608)
R610	1-218-716-11	s	RESISTOR,CHIP 10K 1/16W(1608)
R611	1-242-834-11	s	RESISTOR, METAL FILM CHIP 33
R612	1-242-834-11	s	RESISTOR, METAL FILM CHIP 33
R613	1-218-716-11	s	RESISTOR,CHIP 10K 1/16W(1608)
R614	1-218-716-11	s	RESISTOR,CHIP 10K 1/16W(1608)
R615	1-218-680-11	s	RESISTOR,CHIP 330 1/16W(1608)
R616	1-218-680-11	s	RESISTOR,CHIP 330 1/16W(1608)
R617	1-218-692-11	s	RESISTOR,CHIP 1.0K 1/16W(1608)
R618	1-218-692-11	s	RESISTOR,CHIP 1.0K 1/16W(1608)
R620	1-218-660-91	s	RESISTOR,CHIP 47 1/16W (1608)
R621	1-218-660-91	s	RESISTOR,CHIP 47 1/16W (1608)
R622	1-218-660-91	s	RESISTOR,CHIP 47 1/16W (1608)
R623	1-218-660-91	s	RESISTOR,CHIP 47 1/16W (1608)
R626	1-218-731-11	s	RESISTOR,METAL 43K 1/16
R627	1-218-721-11	s	RESISTOR,CHIP 16K 1/16W(1608)
R628	1-218-711-11	s	RESISTOR,METAL 6.2K 1/16W
R630	1-218-731-11	s	RESISTOR,METAL 43K 1/16
R631	1-218-721-11	s	RESISTOR,CHIP 16K 1/16W(1608)
R632	1-218-695-11	s	RESISTOR,CHIP 1.3K 1/16W(1608)
R633	1-218-711-11	s	RESISTOR,METAL 6.2K 1/16W
R634	1-218-695-11	s	RESISTOR,CHIP 1.3K 1/16W(1608)
R640	1-216-857-11	s	RESISTOR, CHIP 1.0M 1/16W 1608
R641	1-216-857-11	s	RESISTOR, CHIP 1.0M 1/16W 1608
R701	1-218-716-11	s	RESISTOR,CHIP 10K 1/16W(1608)
R703	1-218-716-11	s	RESISTOR,CHIP 10K 1/16W(1608)
R704	1-218-716-11	s	RESISTOR,CHIP 10K 1/16W(1608)
R705	1-216-857-11	s	RESISTOR, CHIP 1.0M 1/16W 1608
R706	1-216-857-11	s	RESISTOR, CHIP 1.0M 1/16W 1608
R707	1-218-700-11	s	RESISTOR,CHIP 2.2K 1/16W(1608)
R708	1-218-700-11	s	RESISTOR,CHIP 2.2K 1/16W(1608)
R709	1-218-679-91	s	RESISTOR, METAL FILM 300 1/16W
R710	1-218-679-91	s	RESISTOR, METAL FILM 300 1/16W
R711	1-218-717-11	s	RESISTOR,CHIP 11K 1/16W (1608)
R712	1-218-717-11	s	RESISTOR,CHIP 11K 1/16W (1608)
R713	1-218-724-11	s	RESISTOR,CHIP 22K 1/16W(1608)
R714	1-218-724-11	s	RESISTOR,CHIP 22K 1/16W(1608)
R715	1-218-696-11	s	RESISTOR,CHIP 1.5K 1/16W(1608)
R716	1-218-696-11	s	RESISTOR,CHIP 1.5K 1/16W(1608)
R717	1-218-696-11	s	RESISTOR,CHIP 1.5K 1/16W(1608)
R718	1-218-696-11	s	RESISTOR,CHIP 1.5K 1/16W(1608)
R719	1-218-720-11	s	RESISTOR,CHIP 15K 1/16W(1608)
R720	1-218-720-11	s	RESISTOR,CHIP 15K 1/16W(1608)
R721	1-218-720-11	s	RESISTOR,CHIP 15K 1/16W(1608)
R722	1-218-720-11	s	RESISTOR,CHIP 15K 1/16W(1608)
R723	1-218-692-11	s	RESISTOR,CHIP 1.0K 1/16W(1608)
R724	1-218-692-11	s	RESISTOR,CHIP 1.0K 1/16W(1608)
R725	1-218-738-11	s	RESISTOR,CHIP 82K 1/16W(1608)
R726	1-218-738-11	s	RESISTOR,CHIP 82K 1/16W(1608)
R727	1-218-700-11	s	RESISTOR,CHIP 2.2K 1/16W(1608)
R728	1-218-700-11	s	RESISTOR,CHIP 2.2K 1/16W(1608)
R733	1-218-724-11	s	RESISTOR,CHIP 22K 1/16W(1608)

(APR-1 BOARD suffix 16 or higher)

Ref. No. or Q'ty	Part No.	SP	Description
R734	1-218-724-11	s	RESISTOR,CHIP 22K 1/16W(1608)
R735	1-218-692-11	s	RESISTOR,CHIP 1.0K 1/16W(1608)
R736	1-218-706-11	s	RESISTOR,CHIP 3.9K 1/16W(1608)
R737	1-218-692-11	s	RESISTOR,CHIP 1.0K 1/16W(1608)
R738	1-218-706-11	s	RESISTOR,CHIP 3.9K 1/16W(1608)
R739	1-218-716-11	s	RESISTOR,CHIP 10K 1/16W(1608)
R740	1-218-716-11	s	RESISTOR,CHIP 10K 1/16W(1608)
R741	1-218-716-11	s	RESISTOR,CHIP 10K 1/16W(1608)
R742	1-218-716-11	s	RESISTOR,CHIP 10K 1/16W(1608)
R743	1-218-716-11	s	RESISTOR,CHIP 10K 1/16W(1608)
R744	1-218-716-11	s	RESISTOR,CHIP 10K 1/16W(1608)
R745	1-218-720-11	s	RESISTOR,CHIP 15K 1/16W(1608)
R746	1-218-720-11	s	RESISTOR,CHIP 15K 1/16W(1608)
R747	1-218-723-11	s	RESISTOR,CHIP 20K 1/16W(1608)
R748	1-218-718-11	s	RESISTOR CHIP 12K 1/16W (1608)
R749	1-218-714-11	s	RESISTOR,CHIP 8.2K 1/16W(1608)
R750	1-218-723-11	s	RESISTOR,CHIP 20K 1/16W(1608)
R751	1-218-718-11	s	RESISTOR CHIP 12K 1/16W (1608)
R752	1-218-714-11	s	RESISTOR,CHIP 8.2K 1/16W(1608)
R753	1-218-693-11	s	RESISTOR,CHIP 1.1K 1/16W(1608)
R754	1-218-693-11	s	RESISTOR,CHIP 1.1K 1/16W(1608)
R755	1-218-682-11	s	RESISTOR,CHIP 390 1/16W (1608)
R756	1-218-687-11	s	RESISTOR CHIP 620 1/16W (1608)
R757	1-218-689-11	s	RESISTOR CHIP 750 1/16W (1608)
R758	1-218-672-11	s	RESISTOR,CHIP 150 1/16W(1608)
R759	1-218-682-11	s	RESISTOR,CHIP 390 1/16W (1608)
R760	1-218-687-11	s	RESISTOR CHIP 620 1/16W (1608)
R761	1-218-689-11	s	RESISTOR CHIP 750 1/16W (1608)
R762	1-218-672-11	s	RESISTOR,CHIP 150 1/16W(1608)
R763	1-218-367-11	s	RESISTOR,METAL FILM CHIP 10K
R764	1-218-367-11	s	RESISTOR,METAL FILM CHIP 10K
R765	1-218-367-11	s	RESISTOR,METAL FILM CHIP 10K
R766	1-218-367-11	s	RESISTOR,METAL FILM CHIP 10K
R767	1-211-998-11	s	RESISTOR, METAL FILM CHIP 4.7K
R768	1-211-998-11	s	RESISTOR, METAL FILM CHIP 4.7K
R769	1-211-998-11	s	RESISTOR, METAL FILM CHIP 4.7K
R770	1-211-998-11	s	RESISTOR, METAL FILM CHIP 4.7K
R771	1-211-998-11	s	RESISTOR, METAL FILM CHIP 4.7K
R772	1-211-998-11	s	RESISTOR, METAL FILM CHIP 4.7K
R773	1-211-998-11	s	RESISTOR, METAL FILM CHIP 4.7K
R774	1-211-998-11	s	RESISTOR, METAL FILM CHIP 4.7K
R775	1-218-367-11	s	RESISTOR,METAL FILM CHIP 10K
R776	1-218-367-11	s	RESISTOR,METAL FILM CHIP 10K
R777	1-218-367-11	s	RESISTOR,METAL FILM CHIP 10K
R778	1-218-367-11	s	RESISTOR,METAL FILM CHIP 10K
R779	1-218-692-11	s	RESISTOR,CHIP 1.0K 1/16W(1608)
R780	1-218-367-11	s	RESISTOR,METAL FILM CHIP 10K
R781	1-218-740-11	s	RESISTOR,CHIP 100K 1/16W(1608)
R782	1-218-367-11	s	RESISTOR,METAL FILM CHIP 10K
R783	1-218-692-11	s	RESISTOR,CHIP 1.0K 1/16W(1608)
R784	1-218-740-11	s	RESISTOR,CHIP 100K 1/16W(1608)
R785	1-218-692-11	s	RESISTOR,CHIP 1.0K 1/16W(1608)
R786	1-218-367-11	s	RESISTOR,METAL FILM CHIP 10K
R787	1-218-740-11	s	RESISTOR,CHIP 100K 1/16W(1608)
R788	1-218-367-11	s	RESISTOR,METAL FILM CHIP 10K
R789	1-218-692-11	s	RESISTOR,CHIP 1.0K 1/16W(1608)
R790	1-218-740-11	s	RESISTOR,CHIP 100K 1/16W(1608)
R791	1-218-660-91	s	RESISTOR,CHIP 47 1/16W (1608)
R792	1-218-660-91	s	RESISTOR,CHIP 47 1/16W (1608)

(APR-1 BOARD suffix 16 or higher)

Ref. No. or Q'ty	Part No.	SP Description
R793	1-218-660-91	s RESISTOR,CHIP 47 1/16W (1608)
R794	1-218-660-91	s RESISTOR,CHIP 47 1/16W (1608)
R795	1-218-740-11	s RESISTOR,CHIP 100K 1/16W(1608)
R796	1-218-740-11	s RESISTOR,CHIP 100K 1/16W(1608)
R797	1-218-740-11	s RESISTOR,CHIP 100K 1/16W(1608)
R798	1-218-740-11	s RESISTOR,CHIP 100K 1/16W(1608)
R799	1-242-834-11	s RESISTOR, METAL FILM CHIP 33
R800	1-242-834-11	s RESISTOR, METAL FILM CHIP 33
R801	1-218-716-11	s RESISTOR,CHIP 10K 1/16W(1608)
R802	1-218-716-11	s RESISTOR,CHIP 10K 1/16W(1608)
R803	1-242-834-11	s RESISTOR, METAL FILM CHIP 33
R804	1-242-834-11	s RESISTOR, METAL FILM CHIP 33
R805	1-218-716-11	s RESISTOR,CHIP 10K 1/16W(1608)
R806	1-218-716-11	s RESISTOR,CHIP 10K 1/16W(1608)
R807	1-242-834-11	s RESISTOR, METAL FILM CHIP 33
R808	1-242-834-11	s RESISTOR, METAL FILM CHIP 33
R809	1-218-716-11	s RESISTOR,CHIP 10K 1/16W(1608)
R810	1-218-716-11	s RESISTOR,CHIP 10K 1/16W(1608)
R811	1-242-834-11	s RESISTOR, METAL FILM CHIP 33
R812	1-242-834-11	s RESISTOR, METAL FILM CHIP 33
R813	1-218-716-11	s RESISTOR,CHIP 10K 1/16W(1608)
R814	1-218-716-11	s RESISTOR,CHIP 10K 1/16W(1608)
R815	1-218-680-11	s RESISTOR,CHIP 330 1/16W(1608)
R816	1-218-680-11	s RESISTOR,CHIP 330 1/16W(1608)
R817	1-218-692-11	s RESISTOR,CHIP 1.0K 1/16W(1608)
R818	1-218-692-11	s RESISTOR,CHIP 1.0K 1/16W(1608)
R820	1-218-660-91	s RESISTOR,CHIP 47 1/16W (1608)
R821	1-218-660-91	s RESISTOR,CHIP 47 1/16W (1608)
R822	1-218-660-91	s RESISTOR,CHIP 47 1/16W (1608)
R823	1-218-660-91	s RESISTOR,CHIP 47 1/16W (1608)
R826	1-218-731-11	s RESISTOR,METAL 43K 1/16
R827	1-218-721-11	s RESISTOR,CHIP 16K 1/16W(1608)
R828	1-218-711-11	s RESISTOR,METAL 6.2K 1/16W
R830	1-218-731-11	s RESISTOR,METAL 43K 1/16
R831	1-218-721-11	s RESISTOR,CHIP 16K 1/16W(1608)
R832	1-218-695-11	s RESISTOR,CHIP 1.3K 1/16W(1608)
R833	1-218-711-11	s RESISTOR,METAL 6.2K 1/16W
R834	1-218-695-11	s RESISTOR,CHIP 1.3K 1/16W(1608)
R840	1-216-857-11	s RESISTOR, CHIP 1.0M 1/16W 1608
R841	1-216-857-11	s RESISTOR, CHIP 1.0M 1/16W 1608
R903	1-218-696-11	s RESISTOR,CHIP 1.5K 1/16W(1608)
R904	1-218-716-11	s RESISTOR,CHIP 10K 1/16W(1608)
R905	1-218-685-11	s RESISTOR, METAL FILM 510 1/16W
R907	1-218-716-11	s RESISTOR,CHIP 10K 1/16W(1608)
R908	1-218-716-11	s RESISTOR,CHIP 10K 1/16W(1608)
R909	1-216-857-11	s RESISTOR, CHIP 1.0M 1/16W 1608
R910	1-216-857-11	s RESISTOR, CHIP 1.0M 1/16W 1608
R911	1-218-708-11	s RESISTOR,CHIP 4.7K 1/16W(1608)
R912	1-218-708-11	s RESISTOR,CHIP 4.7K 1/16W(1608)
R913	1-218-679-91	s RESISTOR, METAL FILM 300 1/16W
R914	1-218-679-91	s RESISTOR, METAL FILM 300 1/16W
R915	1-218-660-91	s RESISTOR,CHIP 47 1/16W (1608)
R916	1-218-660-91	s RESISTOR,CHIP 47 1/16W (1608)
R917	1-218-717-11	s RESISTOR,CHIP 11K 1/16W (1608)
R918	1-218-717-11	s RESISTOR,CHIP 11K 1/16W (1608)
R919	1-218-724-11	s RESISTOR,CHIP 22K 1/16W(1608)
R920	1-218-724-11	s RESISTOR,CHIP 22K 1/16W(1608)
R921	1-218-696-11	s RESISTOR,CHIP 1.5K 1/16W(1608)
R922	1-218-696-11	s RESISTOR,CHIP 1.5K 1/16W(1608)

(APR-1 BOARD suffix 16 or higher)

Ref. No. or Q'ty	Part No.	SP Description
R923	1-218-660-91	s RESISTOR,CHIP 47 1/16W (1608)
R924	1-218-696-11	s RESISTOR,CHIP 1.5K 1/16W(1608)
R925	1-218-696-11	s RESISTOR,CHIP 1.5K 1/16W(1608)
R926	1-218-660-91	s RESISTOR,CHIP 47 1/16W (1608)
R927	1-218-720-11	s RESISTOR,CHIP 15K 1/16W(1608)
R928	1-218-720-11	s RESISTOR,CHIP 15K 1/16W(1608)
R929	1-218-720-11	s RESISTOR,CHIP 15K 1/16W(1608)
R930	1-218-720-11	s RESISTOR,CHIP 15K 1/16W(1608)
R931	1-218-692-11	s RESISTOR,CHIP 1.0K 1/16W(1608)
R932	1-218-692-11	s RESISTOR,CHIP 1.0K 1/16W(1608)
R933	1-218-738-11	s RESISTOR,CHIP 82K 1/16W(1608)
R934	1-218-738-11	s RESISTOR,CHIP 82K 1/16W(1608)
R935	1-218-700-11	s RESISTOR,CHIP 2.2K 1/16W(1608)
R936	1-218-700-11	s RESISTOR,CHIP 2.2K 1/16W(1608)
R941	1-218-724-11	s RESISTOR,CHIP 22K 1/16W(1608)
R942	1-218-724-11	s RESISTOR,CHIP 22K 1/16W(1608)
R943	1-218-692-11	s RESISTOR,CHIP 1.0K 1/16W(1608)
R944	1-218-706-11	s RESISTOR,CHIP 3.9K 1/16W(1608)
R945	1-218-692-11	s RESISTOR,CHIP 1.0K 1/16W(1608)
R946	1-218-706-11	s RESISTOR,CHIP 3.9K 1/16W(1608)
R947	1-218-716-11	s RESISTOR,CHIP 10K 1/16W(1608)
R948	1-218-716-11	s RESISTOR,CHIP 10K 1/16W(1608)
R949	1-218-716-11	s RESISTOR,CHIP 10K 1/16W(1608)
R950	1-218-716-11	s RESISTOR,CHIP 10K 1/16W(1608)
R951	1-218-716-11	s RESISTOR,CHIP 10K 1/16W(1608)
R952	1-218-716-11	s RESISTOR,CHIP 10K 1/16W(1608)
R953	1-218-716-11	s RESISTOR,CHIP 10K 1/16W(1608)
R954	1-218-716-11	s RESISTOR,CHIP 10K 1/16W(1608)
R955	1-218-716-11	s RESISTOR,CHIP 10K 1/16W(1608)
R956	1-218-716-11	s RESISTOR,CHIP 10K 1/16W(1608)
R957	1-216-857-11	s RESISTOR, CHIP 1.0M 1/16W 1608
R958	1-216-857-11	s RESISTOR, CHIP 1.0M 1/16W 1608
R959	1-218-716-11	s RESISTOR,CHIP 10K 1/16W(1608)
R960	1-218-716-11	s RESISTOR,CHIP 10K 1/16W(1608)
R961	1-218-716-11	s RESISTOR,CHIP 10K 1/16W(1608)
R962	1-218-716-11	s RESISTOR,CHIP 10K 1/16W(1608)
R963	1-218-720-11	s RESISTOR,CHIP 15K 1/16W(1608)
R964	1-218-720-11	s RESISTOR,CHIP 15K 1/16W(1608)
R965	1-218-723-11	s RESISTOR,CHIP 20K 1/16W(1608)
R966	1-218-718-11	s RESISTOR CHIP 12K 1/16W (1608)
R967	1-218-714-11	s RESISTOR,CHIP 8.2K 1/16W(1608)
R968	1-218-723-11	s RESISTOR,CHIP 20K 1/16W(1608)
R969	1-218-718-11	s RESISTOR,CHIP 12K 1/16W (1608)
R970	1-218-714-11	s RESISTOR,CHIP 8.2K 1/16W(1608)
R971	1-218-693-11	s RESISTOR,CHIP 1.1K 1/16W(1608)
R972	1-218-693-11	s RESISTOR,CHIP 1.1K 1/16W(1608)
R973	1-218-682-11	s RESISTOR,CHIP 390 1/16W (1608)
R974	1-218-687-11	s RESISTOR CHIP 620 1/16W (1608)
R975	1-218-689-11	s RESISTOR CHIP 750 1/16W (1608)
R976	1-218-672-11	s RESISTOR,CHIP 150 1/16W(1608)
R977	1-218-682-11	s RESISTOR,CHIP 390 1/16W (1608)
R978	1-218-687-11	s RESISTOR CHIP 620 1/16W (1608)
R979	1-218-689-11	s RESISTOR CHIP 750 1/16W (1608)
R980	1-218-672-11	s RESISTOR,CHIP 150 1/16W(1608)
R981	1-218-367-11	s RESISTOR,METAL FILM CHIP 10K
R982	1-218-367-11	s RESISTOR,METAL FILM CHIP 10K
R983	1-218-367-11	s RESISTOR,METAL FILM CHIP 10K
R984	1-218-367-11	s RESISTOR,METAL FILM CHIP 10K
R985	1-211-998-11	s RESISTOR, METAL FILM CHIP 4.7K



(APR-1 BOARD suffix 16 or higher)

(APR-1 BOARD suffix 16 or higher)

Ref. No. or Q'ty	Part No.	SP Description
R1540	1-242-834-11	s RESISTOR, METAL FILM CHIP 33
R1541	1-242-834-11	s RESISTOR, METAL FILM CHIP 33
R1542	1-242-834-11	s RESISTOR, METAL FILM CHIP 33
R1543	1-242-834-11	s RESISTOR, METAL FILM CHIP 33
R1550	1-242-834-11	s RESISTOR, METAL FILM CHIP 33
R1551	1-242-834-11	s RESISTOR, METAL FILM CHIP 33
R1552	1-242-834-11	s RESISTOR, METAL FILM CHIP 33
R1553	1-242-834-11	s RESISTOR, METAL FILM CHIP 33
RB51	1-239-308-11	s RESISTOR ARRAY,CHIP 47K
RB53	1-239-306-11	s RESISTOR ARRAY,CHIP 10K
RB54	1-239-306-11	s RESISTOR ARRAY,CHIP 10K
RB55	1-239-306-11	s RESISTOR ARRAY,CHIP 10K
RB1590	1-239-306-11	s RESISTOR ARRAY,CHIP 10K
RB1591	1-239-306-11	s RESISTOR ARRAY,CHIP 10K
RV100	1-237-036-11	s RESISTOR, ADJ,CERMET 10K
RV101	1-241-261-41	s RESISTOR, ADJ, CERMET
RV102	1-237-037-11	s RESISTOR,ADJ,CERMET 20K
RV103	1-237-037-11	s RESISTOR,ADJ,CERMET 20K
RV200	1-237-036-11	s RESISTOR, ADJ,CERMET 10K
RV201	1-241-261-41	s RESISTOR, ADJ, CERMET
RV202	1-237-037-11	s RESISTOR,ADJ,CERMET 20K
RV203	1-237-037-11	s RESISTOR,ADJ,CERMET 20K
RV300	1-237-036-11	s RESISTOR, ADJ,CERMET 10K
RV301	1-241-261-41	s RESISTOR, ADJ, CERMET
RV302	1-237-037-11	s RESISTOR,ADJ,CERMET 20K
RV303	1-237-037-11	s RESISTOR,ADJ,CERMET 20K
RV400	1-237-036-11	s RESISTOR, ADJ,CERMET 10K
RV401	1-241-261-41	s RESISTOR, ADJ, CERMET
RV402	1-237-037-11	s RESISTOR,ADJ,CERMET 20K
RV403	1-237-037-11	s RESISTOR,ADJ,CERMET 20K
RV500	1-237-036-11	s RESISTOR, ADJ,CERMET 10K
RV501	1-237-036-11	s RESISTOR, ADJ,CERMET 10K
RV700	1-237-036-11	s RESISTOR, ADJ,CERMET 10K
RV701	1-237-036-11	s RESISTOR, ADJ,CERMET 10K
RV900	1-237-036-11	s RESISTOR, ADJ,CERMET 10K
RV901	1-237-036-11	s RESISTOR, ADJ,CERMET 10K
RV902	1-237-036-11	s RESISTOR, ADJ,CERMET 10K
RV903	1-237-036-11	s RESISTOR, ADJ,CERMET 10K
RY100	1-755-380-21	s RELAY
RY101	1-755-380-21	s RELAY
RY200	1-755-380-21	s RELAY
RY201	1-755-380-21	s RELAY
RY300	1-755-380-21	s RELAY
RY301	1-755-380-21	s RELAY
RY400	1-755-380-21	s RELAY
RY401	1-755-380-21	s RELAY
RY502	1-755-380-21	s RELAY
RY503	1-755-380-21	s RELAY
RY702	1-755-380-21	s RELAY
RY703	1-755-380-21	s RELAY
RY902	1-755-380-21	s RELAY
RY903	1-755-380-21	s RELAY
S1510	1-692-270-41	s SWITCH, SLIDE
S1511	1-692-881-41	s SWITCH, SLIDE
S1512	1-692-270-41	s SWITCH, SLIDE
S1513	1-692-881-41	s SWITCH, SLIDE
S1520	1-692-270-41	s SWITCH, SLIDE

Ref. No. or Q'ty	Part No.	SP Description
S1521	1-692-881-41	s SWITCH, SLIDE
S1522	1-692-270-41	s SWITCH, SLIDE
S1523	1-692-881-41	s SWITCH, SLIDE
S1530	1-692-881-41	s SWITCH, SLIDE
S1531	1-692-270-41	s SWITCH, SLIDE
S1532	1-692-881-41	s SWITCH, SLIDE
S1533	1-692-270-41	s SWITCH, SLIDE
S1540	1-692-881-41	s SWITCH, SLIDE
S1541	1-692-270-41	s SWITCH, SLIDE
S1542	1-692-881-41	s SWITCH, SLIDE
S1543	1-692-270-41	s SWITCH, SLIDE
S1550	1-692-881-41	s SWITCH, SLIDE
S1551	1-692-881-41	s SWITCH, SLIDE
S1552	1-692-270-41	s SWITCH, SLIDE
S1553	1-692-881-41	s SWITCH, SLIDE
S1554	1-692-881-41	s SWITCH, SLIDE
S1555	1-692-270-41	s SWITCH, SLIDE
THP100	1-810-106-11	s THERMISTOR, POSITIVE LINEAR
THP200	1-810-106-11	s THERMISTOR, POSITIVE LINEAR
THP300	1-810-106-11	s THERMISTOR, POSITIVE LINEAR
THP400	1-810-106-11	s THERMISTOR, POSITIVE LINEAR
X50	1-767-717-11	s VIBRATOR, CRYSTAL



-----  
 APR-1 BOARD suffix 11 through 14  
 -----

Ref. No. or Q'ty	Part No.	SP	Description
1pc	A-8275-072-A	o	MOUNTED CIRCUIT BOARD, APR-1P (For Europa model)
	A-8275-269-A	o	MOUNTED CIRCUIT BOARD, APR-1PG (For USA and Canada models)
1pc	3-171-453-03	o	PLATE (L), SHIELD, CARD
1pc	3-171-454-02	o	SHEET (L), CARD
1pc	3-179-084-01	s	LEVER (R), PC BOARD
1pc	3-179-085-01	s	LEVER (L), PC BOARD
1pc	7-682-902-11	s	SCREW +PWH 2.6x5
C52-55	1-163-033-00	s	CERAMIC, CHIP 0.022uF 50V (2125)
C58	1-163-037-11	s	CERAMIC, CHIP 0.022uF 10% 25V (2125)
C59	1-163-033-00	s	CERAMIC, CHIP 0.022uF 50V (2125)
C60	1-126-233-11	s	ELECT 22uF 20% 50V
C61	1-126-934-11	s	ELECT 220uF 20% 16V
C62	1-126-933-11	s	ELECT 100uF 20% 16V
C100	1-124-282-00	s	ELECT, NONPOLAR 22uF 20% 25V
C101	1-124-282-00	s	ELECT, NONPOLAR 22uF 20% 25V
C102	1-163-251-11	s	CERAMIC, CHIP 100pF 5% 50V (2125)
C103	1-163-251-11	s	CERAMIC, CHIP 100pF 5% 50V (2125)
C104	1-126-964-11	s	ELECT 10uF 20% 50V
C105	1-163-038-00	s	CERAMIC, CHIP 0.1uF 25V (2125)
C106	1-163-251-11	s	CERAMIC, CHIP 100pF 5% 50V (2125)
C107	1-163-251-11	s	CERAMIC, CHIP 100pF 5% 50V (2125)
C108	1-124-278-00	s	ELECT, NONPOLAR 10uF 20% 35V
C109	1-126-947-11	s	ELECT 47uF 20% 35V
C110	1-163-038-00	s	CERAMIC, CHIP 0.1uF 25V (2125)
C111	1-126-947-11	s	ELECT 47uF 20% 35V
C112	1-124-278-00	s	ELECT, NONPOLAR 10uF 20% 35V
C113	1-163-038-00	s	CERAMIC, CHIP 0.1uF 25V (2125)
C114	1-163-243-11	s	CERAMIC, CHIP 47pF 5% 50V (2125)
C115	1-124-282-00	s	ELECT, NONPOLAR 22uF 20% 25V
C116	1-163-038-00	s	CERAMIC, CHIP 0.1uF 25V (2125)
C117	1-137-368-11	s	FILM 0.0047uF 5% 50V
C118	1-163-227-11	s	CERAMIC, CHIP 10pF 5% 50V (2125)
C119	1-137-366-11	s	FILM 0.0022uF 5% 50V
C120	1-137-368-11	s	FILM 0.0047uF 5% 50V
C121	1-124-282-00	s	ELECT, NONPOLAR 22uF 20% 25V
C122	1-163-251-11	s	CERAMIC, CHIP 100pF 5% 50V (2125)
C125	1-126-964-11	s	ELECT 10uF 20% 50V
C126	1-164-161-11	s	CERAMIC, CHIP 2200pF 10% 100V (2125)
C127	1-164-222-11	s	CERAMIC, CHIP 0.22uF 25V (2125)
C128	1-164-222-11	s	CERAMIC, CHIP 0.22uF 25V (2125)
C129	1-163-235-11	s	CERAMIC, CHIP 22pF 5% 50V (2125)
C130	1-126-964-11	s	ELECT 10uF 20% 50V
C131-134	1-163-038-00	s	CERAMIC, CHIP 0.1uF 25V (2125)
C135	1-163-251-11	s	CERAMIC, CHIP 100pF 5% 50V (2125)
C136-138	1-126-964-11	s	ELECT 10uF 20% 50V
C139	1-163-038-00	s	CERAMIC, CHIP 0.1uF 25V (2125)
C140	1-163-038-00	s	CERAMIC, CHIP 0.1uF 25V (2125)
C141	1-126-964-11	s	ELECT 10uF 20% 50V
C142	1-163-251-11	s	CERAMIC, CHIP 100pF 5% 50V (2125)
C143	1-163-251-11	s	CERAMIC, CHIP 100pF 5% 50V (2125)
C146	1-163-251-11	s	CERAMIC, CHIP 100pF 5% 50V (2125)
C147	1-163-251-11	s	CERAMIC, CHIP 100pF 5% 50V (2125)
C200	1-124-282-00	s	ELECT, NONPOLAR 22uF 20% 25V
C201	1-124-282-00	s	ELECT, NONPOLAR 22uF 20% 25V

(APR-1 BOARD suffix 11 through 14)

Ref. No. or Q'ty	Part No.	SP Description
C202	1-163-251-11	s CERAMIC, CHIP 100pF 5% 50V (2125)
C203	1-163-251-11	s CERAMIC, CHIP 100pF 5% 50V (2125)
C204	1-126-964-11	s ELECT 10uF 20% 50V
C205	1-163-038-00	s CERAMIC, CHIP 0.1uF 25V (2125)
C206	1-163-251-11	s CERAMIC, CHIP 100pF 5% 50V (2125)
C207	1-163-251-11	s CERAMIC, CHIP 100pF 5% 50V (2125)
C208	1-124-278-00	s ELECT, NONPOLAR 10uF 20% 35V
C209	1-126-947-11	s ELECT 47uF 20% 35V
C210	1-163-038-00	s CERAMIC, CHIP 0.1uF 25V (2125)
C211	1-126-947-11	s ELECT 47uF 20% 35V
C212	1-124-278-00	s ELECT, NONPOLAR 10uF 20% 35V
C213	1-163-038-00	s CERAMIC, CHIP 0.1uF 25V (2125)
C214	1-163-243-11	s CERAMIC, CHIP 47pF 5% 50V (2125)
C215	1-124-282-00	s ELECT, NONPOLAR 22uF 20% 25V
C216	1-163-038-00	s CERAMIC, CHIP 0.1uF 25V (2125)
C217	1-137-368-11	s FILM 0.0047uF 5% 50V
C218	1-163-227-11	s CERAMIC, CHIP 10pF 5% 50V (2125)
C219	1-137-366-11	s FILM 0.0022uF 5% 50V
C220	1-137-368-11	s FILM 0.0047uF 5% 50V
C221	1-124-282-00	s ELECT, NONPOLAR 22uF 20% 25V
C222	1-163-251-11	s CERAMIC, CHIP 100pF 5% 50V (2125)
C226	1-164-161-11	s CERAMIC, CHIP 2200pF 10% 100V
C227-229	1-163-235-11	s CERAMIC, CHIP 22pF 5% 50V (2125)
C242	1-163-251-11	s CERAMIC, CHIP 100pF 5% 50V (2125)
C243	1-163-251-11	s CERAMIC, CHIP 100pF 5% 50V (2125)
C246	1-163-251-11	s CERAMIC, CHIP 100pF 5% 50V (2125)
C247	1-163-251-11	s CERAMIC, CHIP 100pF 5% 50V (2125)
C300	1-124-282-00	s ELECT, NONPOLAR 22uF 20% 25V
C301	1-124-282-00	s ELECT, NONPOLAR 22uF 20% 25V
C302	1-163-251-11	s CERAMIC, CHIP 100pF 5% 50V (2125)
C303	1-163-251-11	s CERAMIC, CHIP 100pF 5% 50V (2125)
C304	1-126-964-11	s ELECT 10uF 20% 50V
C305	1-163-038-00	s CERAMIC, CHIP 0.1uF 25V (2125)
C306	1-163-251-11	s CERAMIC, CHIP 100pF 5% 50V (2125)
C307	1-163-251-11	s CERAMIC, CHIP 100pF 5% 50V (2125)
C308	1-124-278-00	s ELECT, NONPOLAR 10uF 20% 35V
C309	1-126-947-11	s ELECT 47uF 20% 35V
C310	1-163-038-00	s CERAMIC, CHIP 0.1uF 25V (2125)
C311	1-126-947-11	s ELECT 47uF 20% 35V
C312	1-124-278-00	s ELECT, NONPOLAR 10uF 20% 35V
C313	1-163-038-00	s CERAMIC, CHIP 0.1uF 25V (2125)
C314	1-163-243-11	s CERAMIC, CHIP 47pF 5% 50V (2125)
C315	1-124-282-00	s ELECT, NONPOLAR 22uF 20% 25V
C316	1-163-038-00	s CERAMIC, CHIP 0.1uF 25V (2125)
C317	1-137-368-11	s FILM 0.0047uF 5% 50V
C318	1-163-227-11	s CERAMIC, CHIP 10pF 5% 50V (2125)
C319	1-137-366-11	s FILM 0.0022uF 5% 50V
C320	1-137-368-11	s FILM 0.0047uF 5% 50V
C321	1-124-282-00	s ELECT, NONPOLAR 22uF 20% 25V
C322	1-163-251-11	s CERAMIC, CHIP 100pF 5% 50V (2125)
C325	1-126-964-11	s ELECT 10uF 20% 50V
C326	1-164-161-11	s CERAMIC, CHIP 2200pF 10% 100V
C327	1-164-222-11	s CERAMIC, CHIP 0.22uF 25V (2125)
C328	1-164-222-11	s CERAMIC, CHIP 0.22uF 25V (2125)
C329	1-163-235-11	s CERAMIC, CHIP 22pF 5% 50V (2125)
C330	1-126-964-11	s ELECT 10uF 20% 50V

(APR-1 BOARD suffix 11 through 14)

Ref. No. or Q'ty	Part No.	SP Description
C331-334	1-163-038-00	s CERAMIC, CHIP 0.1uF 25V (2125)
C335	1-163-251-11	s CERAMIC, CHIP 100pF 5% 50V (2125)
C336-338	1-126-964-11	s ELECT 10uF 20% 50V
C339	1-163-038-00	s CERAMIC, CHIP 0.1uF 25V (2125)
C340	1-163-038-00	s CERAMIC, CHIP 0.1uF 25V (2125)
C341	1-126-964-11	s ELECT 10uF 20% 50V
C342	1-163-251-11	s CERAMIC, CHIP 100pF 5% 50V (2125)
C343	1-163-251-11	s CERAMIC, CHIP 100pF 5% 50V (2125)
C346	1-163-251-11	s CERAMIC, CHIP 100pF 5% 50V (2125)
C347	1-163-251-11	s CERAMIC, CHIP 100pF 5% 50V (2125)
C400	1-124-282-00	s ELECT, NONPOLAR 22uF 20% 25V
C401	1-124-282-00	s ELECT, NONPOLAR 22uF 20% 25V
C402	1-163-251-11	s CERAMIC, CHIP 100pF 5% 50V (2125)
C403	1-163-251-11	s CERAMIC, CHIP 100pF 5% 50V (2125)
C404	1-126-964-11	s ELECT 10uF 20% 50V
C405	1-163-038-00	s CERAMIC, CHIP 0.1uF 25V (2125)
C406	1-163-251-11	s CERAMIC, CHIP 100pF 5% 50V (2125)
C407	1-163-251-11	s CERAMIC, CHIP 100pF 5% 50V (2125)
C408	1-124-278-00	s ELECT, NONPOLAR 10uF 20% 35V
C409	1-126-947-11	s ELECT 47uF 20% 35V
C410	1-163-038-00	s CERAMIC, CHIP 0.1uF 25V (2125)
C411	1-126-947-11	s ELECT 47uF 20% 35V
C412	1-124-278-00	s ELECT, NONPOLAR 10uF 20% 35V
C413	1-163-038-00	s CERAMIC, CHIP 0.1uF 25V (2125)
C414	1-163-243-11	s CERAMIC, CHIP 47pF 5% 50V (2125)
C415	1-124-282-00	s ELECT, NONPOLAR 22uF 20% 25V
C416	1-163-038-00	s CERAMIC, CHIP 0.1uF 25V (2125)
C417	1-137-368-11	s FILM 0.0047uF 5% 50V
C418	1-163-227-11	s CERAMIC, CHIP 10pF 5% 50V (2125)
C419	1-137-366-11	s FILM 0.0022uF 5% 50V
C420	1-137-368-11	s FILM 0.0047uF 5% 50V
C421	1-124-282-00	s ELECT, NONPOLAR 22uF 20% 25V
C422	1-163-251-11	s CERAMIC, CHIP 100pF 5% 50V (2125)
C426	1-164-161-11	s CERAMIC, CHIP 2200pF 10% 100V (2125)
C427-429	1-163-235-11	s CERAMIC, CHIP 22pF 5% 50V (2125)
C442	1-163-251-11	s CERAMIC, CHIP 100pF 5% 50V (2125)
C443	1-163-251-11	s CERAMIC, CHIP 100pF 5% 50V (2125)
C446	1-163-251-11	s CERAMIC, CHIP 100pF 5% 50V (2125)
C447	1-163-251-11	s CERAMIC, CHIP 100pF 5% 50V (2125)
C500	1-163-038-00	s CERAMIC, CHIP 0.1uF 25V (2125)
C501	*5 1-126-947-11	s ELECT 47uF 20% 35V
	*4 1-126-964-11	s ELECT 10uF 20% 50V
C502	*5 1-126-233-11	s ELECT 22uF 20% 50V
	*4 1-126-933-11	s ELECT 100uF 20% 16V
C503	1-126-933-11	s ELECT 100uF 20% 16V
C504	*5 1-124-282-00	s ELECT, NONPOLAR 22uF 20% 25V
	*4 1-126-933-11	s ELECT 100uF 20% 16V
C505	1-126-933-11	s ELECT 100uF 20% 16V
C506	*5 1-124-282-00	s ELECT, NONPOLAR 22uF 20% 25V
	*4 1-126-933-11	s ELECT 100uF 20% 16V
C507	1-126-933-11	s ELECT 100uF 20% 16V
C508	1-163-038-00	s CERAMIC, CHIP 0.1uF 25V (2125)
C509	1-163-251-11	s CERAMIC, CHIP 100pF 5% 50V (2125)
C510	1-163-251-11	s CERAMIC, CHIP 100pF 5% 50V (2125)
C511	1-163-038-00	s CERAMIC, CHIP 0.1uF 25V (2125)

-----  
 \*4: Board No. suffix 11 or 12  
 \*5: Board No. suffix 13 or higher

(APR-1 BOARD suffix 11 through 14)

Ref. No. or Q'ty	Part No.	SP	Description
C512	1-126-964-11	s	ELECT 10uF 20% 50V
C513	1-137-366-11	s	FILM 0.0022uF 5% 50V
C514	1-137-366-11	s	FILM 0.0022uF 5% 50V
C515	1-137-364-11	s	FILM 0.001uF 5% 50V
C516	1-137-364-11	s	FILM 0.001uF 5% 50V
C517	1-124-278-00	s	ELECT, NONPOLAR 10uF 20% 35V
C518	1-124-278-00	s	ELECT, NONPOLAR 10uF 20% 35V
C519	1-137-368-11	s	FILM 0.0047uF 5% 50V
C520	1-137-368-11	s	FILM 0.0047uF 5% 50V
C521	1-163-038-00	s	CERAMIC, CHIP 0.1uF 25V (2125)
C522	1-163-038-00	s	CERAMIC, CHIP 0.1uF 25V (2125)
C523	*5 1-126-933-11	s	ELECT 100uF 20% 16V
C524	*5 1-163-038-00	s	CERAMIC, CHIP 0.1uF 25V (2125)
C525-528	1-163-038-00	s	CERAMIC, CHIP 0.1uF 25V (2125)
C529	*5 1-163-038-00	s	CERAMIC, CHIP 0.1uF 25V (2125)
C530	*5 1-126-964-11	s	ELECT 10uF 20% 50V
C531-534	1-124-282-00	s	ELECT, NONPOLAR 22uF 20% 25V
C535-538	1-163-235-11	s	CERAMIC, CHIP 22pF 5% 50V (2125)
C539-542	1-124-282-00	s	ELECT, NONPOLAR 22uF 20% 25V
C543-546	1-163-251-11	s	CERAMIC, CHIP 100pF 5% 50V (2125)
C547-550	1-124-282-00	s	ELECT, NONPOLAR 22uF 20% 25V
C551	1-137-364-11	s	FILM 0.001uF 5% 50V
C552	1-137-364-11	s	FILM 0.001uF 5% 50V
C553	1-126-933-11	s	ELECT 100uF 20% 16V
C554	1-126-933-11	s	ELECT 100uF 20% 16V
C555	1-126-947-11	s	ELECT 47uF 20% 35V
C556	1-126-947-11	s	ELECT 47uF 20% 35V
C557	1-163-033-00	s	CERAMIC, CHIP 0.022uF 50V (2125)
C558	1-163-033-00	s	CERAMIC, CHIP 0.022uF 50V (2125)
C559	1-126-947-11	s	ELECT 47uF 20% 35V
C560	1-126-947-11	s	ELECT 47uF 20% 35V
C561	1-163-033-00	s	CERAMIC, CHIP 0.022uF 50V (2125)
C562	1-163-033-00	s	CERAMIC, CHIP 0.022uF 50V (2125)
C563	1-163-227-11	s	CERAMIC, CHIP 10pF 5% 50V (2125)
C564	1-163-227-11	s	CERAMIC, CHIP 10pF 5% 50V (2125)
C565	*5 1-126-947-11	s	ELECT 47uF 20% 35V
C566	*5 1-126-933-11	s	ELECT 100uF 20% 16V
C567	*5 1-163-038-00	s	CERAMIC, CHIP 0.1uF 25V (2125)
C568	*5 1-126-233-11	s	ELECT 22uF 20% 50V
C569	*5 1-126-933-11	s	ELECT 100uF 20% 16V
C570	*5 1-163-038-00	s	CERAMIC, CHIP 0.1uF 25V (2125)
C571	*5 1-163-038-00	s	CERAMIC, CHIP 0.1uF 25V (2125)
C572	*5 1-126-964-11	s	ELECT 10uF 20% 50V
C573	*5 1-163-038-00	s	CERAMIC, CHIP 0.1uF 25V (2125)
C574	*5 1-126-964-11	s	ELECT 10uF 20% 50V
C700	1-163-038-00	s	CERAMIC, CHIP 0.1uF 25V (2125)
C701	*5 1-126-947-11	s	ELECT 47uF 20% 35V
	*4 1-126-964-11	s	ELECT 10uF 20% 50V
C702	*5 1-126-233-11	s	ELECT 22uF 20% 50V
	*4 1-126-933-11	s	ELECT 100uF 20% 16V
C703	1-126-933-11	s	ELECT 100uF 20% 16V
C704	*5 1-124-282-00	s	ELECT, NONPOLAR 22uF 20% 25V
	*4 1-126-933-11	s	ELECT 100uF 20% 16V
C705	1-126-933-11	s	ELECT 100uF 20% 16V
C706	*5 1-124-282-00	s	ELECT, NONPOLAR 22uF 20% 25V
	*4 1-126-933-11	s	ELECT 100uF 20% 16V

\*4: Board No. suffix 11 or 12

(APR-1 BOARD suffix 11 through 14)

Ref. No. or Q'ty	Part No.	SP	Description
C707	1-126-933-11	s	ELECT 100uF 20% 16V
C708	1-163-038-00	s	CERAMIC, CHIP 0.1uF 25V (2125)
C709	1-163-251-11	s	CERAMIC, CHIP 100pF 5% 50V (2125)
C710	1-163-251-11	s	CERAMIC, CHIP 100pF 5% 50V (2125)
C711	1-163-038-00	s	CERAMIC, CHIP 0.1uF 25V (2125)
C712	1-126-964-11	s	ELECT 10uF 20% 50V
C713	1-137-366-11	s	FILM 0.0022uF 5% 50V
C714	1-137-366-11	s	FILM 0.0022uF 5% 50V
C715	1-137-364-11	s	FILM 0.001uF 5% 50V
C716	1-137-364-11	s	FILM 0.001uF 5% 50V
C717	1-124-278-00	s	ELECT, NONPOLAR 10uF 20% 35V
C718	1-124-278-00	s	ELECT, NONPOLAR 10uF 20% 35V
C719	1-137-368-11	s	FILM 0.0047uF 5% 50V
C720	1-137-368-11	s	FILM 0.0047uF 5% 50V
C721	1-163-038-00	s	CERAMIC, CHIP 0.1uF 25V (2125)
C722	1-163-038-00	s	CERAMIC, CHIP 0.1uF 25V (2125)
C723	*5 1-126-933-11	s	ELECT 100uF 20% 16V
C724	*5 1-163-038-00	s	CERAMIC, CHIP 0.1uF 25V (2125)
C725-728	1-163-038-00	s	CERAMIC, CHIP 0.1uF 25V (2125)
C729	*5 1-163-038-00	s	CERAMIC, CHIP 0.1uF 25V (2125)
C730	*5 1-126-964-11	s	ELECT 10uF 20% 50V
C731-734	1-124-282-00	s	ELECT, NONPOLAR 22uF 20% 25V
C735-737	1-163-235-11	s	CERAMIC, CHIP 22pF 5% 50V (2125)
C739-742	1-124-282-00	s	ELECT, NONPOLAR 22uF 20% 25V
C743-746	1-163-251-11	s	CERAMIC, CHIP 100pF 5% 50V (2125)
C747-750	1-124-282-00	s	ELECT, NONPOLAR 22uF 20% 25V
C751	1-137-364-11	s	FILM 0.001uF 5% 50V
C752	1-137-364-11	s	FILM 0.001uF 5% 50V
C753	1-126-933-11	s	ELECT 100uF 20% 16V
C754	1-126-933-11	s	ELECT 100uF 20% 16V
C755	1-126-947-11	s	ELECT 47uF 20% 35V
C756	1-126-947-11	s	ELECT 47uF 20% 35V
C757	1-163-033-00	s	CERAMIC, CHIP 0.022uF 50V (2125)
C758	1-163-033-00	s	CERAMIC, CHIP 0.022uF 50V (2125)
C759	1-126-947-11	s	ELECT 47uF 20% 35V
C760	1-126-947-11	s	ELECT 47uF 20% 35V
C761	1-163-033-00	s	CERAMIC, CHIP 0.022uF 50V (2125)
C762	1-163-033-00	s	CERAMIC, CHIP 0.022uF 50V (2125)
C763	1-163-227-11	s	CERAMIC, CHIP 10pF 5% 50V (2125)
C764	1-163-227-11	s	CERAMIC, CHIP 10pF 5% 50V (2125)
C765	*5 1-126-947-11	s	ELECT 47uF 20% 35V
C766	*5 1-126-933-11	s	ELECT 100uF 20% 16V
C767	*5 1-163-038-00	s	CERAMIC, CHIP 0.1uF 25V (2125)
C768	*5 1-126-233-11	s	ELECT 22uF 20% 50V
C769	*5 1-126-933-11	s	ELECT 100uF 20% 16V
C770	*5 1-163-038-00	s	CERAMIC, CHIP 0.1uF 25V (2125)
C771	*5 1-163-038-00	s	CERAMIC, CHIP 0.1uF 25V (2125)
C772	*5 1-126-964-11	s	ELECT 10uF 20% 50V
C773	*5 1-163-038-00	s	CERAMIC, CHIP 0.1uF 25V (2125)
C774	*5 1-126-964-11	s	ELECT 10uF 20% 50V
C900	1-163-038-00	s	CERAMIC, CHIP 0.1uF 25V (2125)
C901	1-164-161-11	s	CERAMIC, CHIP 2200pF 10% 100V (2125)
C902	1-126-964-11	s	ELECT 10uF 20% 50V
C903-908	1-126-933-11	s	ELECT 100uF 20% 16V
C909	1-163-038-00	s	CERAMIC, CHIP 0.1uF 25V (2125)
C910	1-163-251-11	s	CERAMIC, CHIP 100pF 5% 50V (2125)

\*5: Board No. suffix 13 or higher

(APR-1 BOARD suffix 11 through 14)

Ref. No. or Q'ty	Part No.	SP Description
C911	1-163-251-11	s CERAMIC, CHIP 100pF 5% 50V (2125)
C912	1-163-038-00	s CERAMIC, CHIP 0.1uF 25V (2125)
C913	1-126-964-11	s ELECT 10uF 20% 50V
C914	1-137-366-11	s FILM 0.0022uF 5% 50V
C915	1-137-366-11	s FILM 0.0022uF 5% 50V
C916	1-163-227-11	s CERAMIC, CHIP 10pF 5% 50V (2125)
C917	1-137-364-11	s FILM 0.001uF 5% 50V
C918	1-137-364-11	s FILM 0.001uF 5% 50V
C919	1-124-278-00	s ELECT, NONPOLAR 10uF 20% 35V
C920	1-124-278-00	s ELECT, NONPOLAR 10uF 20% 35V
C921	1-137-368-11	s FILM 0.0047uF 5% 50V
C922	1-137-368-11	s FILM 0.0047uF 5% 50V
C923-926	1-163-038-00	s CERAMIC, CHIP 0.1uF 25V (2125)
C927	1-126-964-11	s ELECT 10uF 20% 50V
C928	1-126-964-11	s ELECT 10uF 20% 50V
C929-936	1-163-038-00	s CERAMIC, CHIP 0.1uF 25V (2125)
C937	1-126-964-11	s ELECT 10uF 20% 50V
C938	1-126-964-11	s ELECT 10uF 20% 50V
C941-944	1-124-282-00	s ELECT, NONPOLAR 22uF 20% 25V
C945-948	1-163-235-11	s CERAMIC, CHIP 22pF 5% 50V (2125)
C949-952	1-124-282-00	s ELECT, NONPOLAR 22uF 20% 25V
C953-956	1-163-251-11	s CERAMIC, CHIP 100pF 5% 50V
C957-960	1-124-282-00	s ELECT, NONPOLAR 22uF 20% 25V
C961	1-137-364-11	s FILM 0.001uF 5% 50V
C962	1-137-364-11	s FILM 0.001uF 5% 50V
C963	1-126-933-11	s ELECT 100uF 20% 16V
C964	1-126-933-11	s ELECT 100uF 20% 16V
C965	1-126-947-11	s ELECT 47uF 20% 35V
C966	1-126-947-11	s ELECT 47uF 20% 35V
C967	1-163-033-00	s CERAMIC, CHIP 0.022uF 50V (2125)
C968	1-163-033-00	s CERAMIC, CHIP 0.022uF 50V (2125)
C969	1-126-947-11	s ELECT 47uF 20% 35V
C970	1-126-947-11	s ELECT 47uF 20% 35V
C971	1-163-033-00	s CERAMIC, CHIP 0.022uF 50V (2125)
C972	1-163-033-00	s CERAMIC, CHIP 0.022uF 50V (2125)
C973	1-163-227-11	s CERAMIC, CHIP 10pF 5% 50V (2125)
C974	1-163-235-11	s CERAMIC, CHIP 22pF 5% 50V (2125)
C975	1-163-235-11	s CERAMIC, CHIP 22pF 5% 50V (2125)
C1000 *8	1-163-038-00	s CERAMIC, CHIP 0.1uF 25V (2125)
C1001 *3	1-124-278-00	s ELECT, NONPOLAR 10uF 20% 35V
C1002 *3	1-124-278-00	s ELECT, NONPOLAR 10uF 20% 35V
C1003 *3	1-163-038-00	s CERAMIC, CHIP 0.1uF 25V (2125)
C1004 *3	1-163-038-00	s CERAMIC, CHIP 0.1uF 25V (2125)
C1100	1-126-947-11	s ELECT 47uF 20% 35V
C1101	1-126-947-11	s ELECT 47uF 20% 35V
C1102	1-163-033-00	s CERAMIC, CHIP 0.022uF 50V (2125)
C1103-1110	1-126-947-11	s ELECT 47uF 20% 35V
C1111	1-163-033-00	s CERAMIC, CHIP 0.022uF 50V (2125)
C1112	1-163-033-00	s CERAMIC, CHIP 0.022uF 50V (2125)
C1113	1-163-033-00	s CERAMIC, CHIP 0.022uF 50V (2125)
C1114	1-163-033-00	s CERAMIC, CHIP 0.022uF 50V (2125)
C1115 *8	1-163-038-00	s CERAMIC, CHIP 0.1uF 25V (2125)
C1116 *8	1-163-038-00	s CERAMIC, CHIP 0.1uF 25V (2125)
C1117 *8	1-163-038-00	s CERAMIC, CHIP 0.1uF 25V (2125)
C1118 *8	1-124-278-00	s ELECT, NONPOLAR 10uF 20% 35V

\*3: Board No. suffix 12 or higher

(APR-1 BOARD suffix 11 through 14)

Ref. No. or Q'ty	Part No.	SP Description
C1119 *8	1-163-038-00	s CERAMIC, CHIP 0.1uF 25V (2125)
C1120	1-126-947-11	s ELECT 47uF 20% 35V
C1121	1-163-033-00	s CERAMIC, CHIP 0.022uF 50V (2125)
C1300	1-163-038-00	s CERAMIC, CHIP 0.1uF 25V (2125)
C1301	1-126-964-11	s ELECT 10uF 20% 50V
C1303	1-163-038-00	s CERAMIC, CHIP 0.1uF 25V (2125)
C1314	1-163-033-00	s CERAMIC, CHIP 0.022uF 50V (2125)
C1315	1-163-033-00	s CERAMIC, CHIP 0.022uF 50V (2125)
CN119	1-573-600-21	s CONNECTOR, PHEC 100P, MALE
CN120	1-573-600-21	s CONNECTOR, PHEC 100P, MALE
CN121	1-573-600-21	s CONNECTOR, PHEC 100P, MALE
D1	8-719-024-81	s DIODE 1SS300
D2	8-719-404-35	s DIODE MA141WK
D3-5	8-719-024-81	s DIODE 1SS300
D6-8	8-719-404-35	s DIODE MA141WK
D50	8-719-801-48	s DIODE 1SS193
D51	8-719-026-16	s LED CL-150D-CD, ORG
D52	8-719-941-23	s DIODE DA204U
D53	8-719-941-23	s DIODE DA204U
D100	8-719-801-48	s DIODE 1SS193
D101	8-719-068-64	s DIODE MA143A
D102	8-719-068-64	s DIODE MA143A
D103	8-719-801-48	s DIODE 1SS193
D104	8-719-941-23	s DIODE DA204U
D105	8-719-941-23	s DIODE DA204U
D200	8-719-801-48	s DIODE 1SS193
D201	8-719-068-64	s DIODE MA143A
D202	8-719-068-64	s DIODE MA143A
D203	8-719-801-48	s DIODE 1SS193
D204	8-719-941-23	s DIODE DA204U
D205	8-719-941-23	s DIODE DA204U
D300	8-719-801-48	s DIODE 1SS193
D301	8-719-068-64	s DIODE MA143A
D302	8-719-068-64	s DIODE MA143A
D303	8-719-801-48	s DIODE 1SS193
D304	8-719-941-23	s DIODE DA204U
D305	8-719-941-23	s DIODE DA204U
D400	8-719-801-48	s DIODE 1SS193
D401	8-719-068-64	s DIODE MA143A
D402	8-719-068-64	s DIODE MA143A
D403	8-719-801-48	s DIODE 1SS193
D404	8-719-941-23	s DIODE DA204U
D405	8-719-941-23	s DIODE DA204U
D500 *5	8-719-941-04	s DIODE SB007-03CP
D501 *5	8-719-941-04	s DIODE SB007-03CP
D502	8-719-801-48	s DIODE 1SS193
D503	8-719-801-48	s DIODE 1SS193
D504-507	8-719-068-64	s DIODE MA143A
D700 *5	8-719-941-04	s DIODE SB007-03CP
D701 *5	8-719-941-04	s DIODE SB007-03CP
D702	8-719-801-48	s DIODE 1SS193
D703	8-719-801-48	s DIODE 1SS193
D704-707	8-719-068-64	s DIODE MA143A
D900	8-719-941-23	s DIODE DA204U
D903-906	8-719-801-48	s DIODE 1SS193
D907-910	8-719-068-64	s DIODE MA143A

\*5: Board No. suffix 13 or higher

\*8: LOT No. 302 through 409

(APR-1 BOARD suffix 11 through 14)

Ref. No. or Q'ty	Part No.	SP	Description
D1100-1109			
	*8 8-719-941-23	s	DIODE DA204U
FB1300	1-543-309-21	s	BEAD, FERRITE
IC1	8-759-062-88	s	IC CXD8277Q
IC2	8-759-925-74	s	IC SN74HC04ANS
IC3	8-759-062-88	s	IC CXD8277Q
IC4	8-759-479-32	s	IC SN75C1168NS (E05)
IC5	8-759-925-90	s	IC SN74HC74ANS
IC6	8-759-926-05	s	IC SN74HC125ANS
IC7	8-759-069-38	s	IC CXD8278AQ
IC8	8-759-069-38	s	IC CXD8278AQ
IC51	8-759-582-55	s	IC UPD78014FGC-638-AB8
IC52	8-759-926-11	s	IC SN74HC138ANS
IC53	8-759-926-66	s	IC SN74HC373ANS
IC54	8-752-381-84	s	IC CXD1095BQ
IC56	8-759-925-85	s	IC SN74HC32ANS
IC57	8-759-542-91	s	IC S-80840ANUP-ED4-T2
IC58	8-759-081-42	s	IC TC74VHC00F
IC59	8-759-542-91	s	IC S-80840ANUP-ED4-T2
IC60	8-759-542-91	s	IC S-80840ANUP-ED4-T2
IC100	8-759-064-92	s	IC NJM5532M-D
IC101	8-759-112-66	s	IC UPC812G2
IC102	8-759-745-64	s	IC NJM4560M
IC103	8-759-518-74	s	IC DBX2151
IC104	*8 8-759-745-64	s	IC NJM4560M
IC105	8-759-745-64	s	IC NJM4560M
IC106	8-759-745-64	s	IC NJM4560M
IC107	8-759-175-31	s	IC AK5389-VP
IC108	8-759-700-65	s	IC NJM79L05A
IC109	8-759-239-14	s	IC TA78L05S
IC110	*3 8-759-745-64	s	IC NJM4560M
IC112	8-759-925-90	s	IC SN74HC74ANS
IC117	8-759-745-64	s	IC NJM4560M
IC200	8-759-064-92	s	IC NJM5532M-D
IC201	8-759-112-66	s	IC UPC812G2
IC202	8-759-745-64	s	IC NJM4560M
IC203	8-759-518-74	s	IC DBX2151
IC204	*8 8-759-745-64	s	IC NJM4560M
IC205	8-759-745-64	s	IC NJM4560M
IC206	8-759-745-64	s	IC NJM4560M
IC210	*3 8-759-745-64	s	IC NJM4560M
IC217	8-759-745-64	s	IC NJM4560M
IC300	8-759-064-92	s	IC NJM5532M-D
IC301	8-759-112-66	s	IC UPC812G2
IC302	8-759-745-64	s	IC NJM4560M
IC303	8-759-518-74	s	IC DBX2151
IC304	*8 8-759-745-64	s	IC NJM4560M
IC305	8-759-745-64	s	IC NJM4560M
IC306	8-759-745-64	s	IC NJM4560M
IC307	8-759-175-31	s	IC AK5389-VP
IC308	8-759-700-65	s	IC NJM79L05A
IC309	8-759-239-14	s	IC TA78L05S
IC310	*3 8-759-745-64	s	IC NJM4560M
IC317	8-759-745-64	s	IC NJM4560M
IC400	8-759-064-92	s	IC NJM5532M-D

-----  
 \*3: Board No. suffix 12 or higher  
 \*4: Board No. suffix 11 or 12

(APR-1 BOARD suffix 11 through 14)

Ref. No. or Q'ty	Part No.	SP	Description
IC401	8-759-112-66	s	IC UPC812G2
IC402	8-759-745-64	s	IC NJM4560M
IC403	8-759-518-74	s	IC DBX2151
IC404	*8 8-759-745-64	s	IC NJM4560M
IC405	8-759-745-64	s	IC NJM4560M
IC406	8-759-745-64	s	IC NJM4560M
IC410	*3 8-759-745-64	s	IC NJM4560M
IC417	8-759-745-64	s	IC NJM4560M
IC500	8-759-062-40	s	IC SM5842APT
IC501	*5 8-759-253-90	s	IC PCM1702U-J
	*4 8-759-158-89	s	IC PCM69AP-K
IC502	8-759-700-94	s	IC NJM5532M
IC503	8-759-700-94	s	IC NJM5532M
IC504	*5 8-759-234-08	s	IC TA78L05F
	*4 8-759-708-05	s	IC NJM78L05A
IC505-510	8-759-745-64	s	IC NJM4560M
IC511	8-759-588-96	s	IC NJM5532L-D
IC512	8-759-588-96	s	IC NJM5532L-D
IC513	8-759-745-64	s	IC NJM4560M
IC514	8-759-588-96	s	IC NJM5532L-D
IC515	8-759-588-96	s	IC NJM5532L-D
IC516	8-759-745-64	s	IC NJM4560M
IC517	*8 8-759-100-96	s	IC UPC4558G2
IC518	*8 8-759-100-96	s	IC UPC4558G2
IC519	*5 8-759-045-17	s	IC NJM79L05UA
IC520	*5 8-759-253-90	s	IC PCM1702U-J
IC521	*5 8-759-234-08	s	IC TA78L05F
IC522	*5 8-759-045-17	s	IC NJM79L05UA
IC700	8-759-062-40	s	IC SM5842APT
IC701	*5 8-759-253-90	s	IC PCM1702U-J
	*4 8-759-158-89	s	IC PCM69AP-K
IC702	8-759-700-94	s	IC NJM5532M
IC703	8-759-700-94	s	IC NJM5532M
IC704	*5 8-759-234-08	s	IC TA78L05F
	*4 8-759-708-05	s	IC NJM78L05A
IC705-710	8-759-745-64	s	IC NJM4560M
IC711	8-759-588-96	s	IC NJM5532L-D
IC712	8-759-588-96	s	IC NJM5532L-D
IC713	8-759-745-64	s	IC NJM4560M
IC714	8-759-588-96	s	IC NJM5532L-D
IC715	8-759-588-96	s	IC NJM5532L-D
IC716	8-759-745-64	s	IC NJM4560M
IC717	*8 8-759-100-96	s	IC UPC4558G2
IC718	*8 8-759-100-96	s	IC UPC4558G2
IC719	*5 8-759-045-17	s	IC NJM79L05UA
IC720	*5 8-759-253-90	s	IC PCM1702U-J
IC721	*5 8-759-234-08	s	IC TA78L05F
IC722	*5 8-759-045-17	s	IC NJM79L05UA
IC900	8-759-062-40	s	IC SM5842APT
IC901	8-759-745-64	s	IC NJM4560M
IC902	8-759-158-89	s	IC PCM69AP-K
IC903	8-759-300-71	s	IC HD14053BFP
IC904	8-759-700-94	s	IC NJM5532M

-----  
 \*5: Board No. suffix 13 or higher  
 \*8: LOT No. 302 through 409

(APR-1 BOARD suffix 11 through 14)

Ref. No. or Q'ty	Part No.	SP	Description
IC905	8-759-700-94	s	IC NJM5532M
IC906	8-759-239-14	s	IC TA78L05S
IC907	8-759-745-64	s	IC NJM4560M
IC908	8-759-745-64	s	IC NJM4560M
IC909	8-759-745-64	s	IC NJM4560M
IC910	8-759-239-14	s	IC TA78L05S
IC911	8-759-700-65	s	IC NJM79L05A
IC912-917	8-759-745-64	s	IC NJM4560M
IC918	8-759-588-96	s	IC NJM5532L-D
IC919	8-759-588-96	s	IC NJM5532L-D
IC920	8-759-745-64	s	IC NJM4560M
IC921	8-759-588-96	s	IC NJM5532L-D
IC922	8-759-588-96	s	IC NJM5532L-D
IC923	8-759-745-64	s	IC NJM4560M
IC1100*8	8-759-009-05	s	IC MC14051BF
IC1101*8	8-759-009-05	s	IC MC14051BF
IC1102-1108	*8 8-759-745-64	s	IC NJM4560M
IC1109*8	8-759-100-93	s	IC UPC393G2
IC1110*8	8-759-673-36	s	IC MM74HC00SJK
IC1111*8	8-759-239-55	s	IC TC74HC123AF
IC1112*8	8-759-745-64	s	IC NJM4560M
IC1113*8	8-759-745-64	s	IC NJM4560M
IC1300	8-759-174-16	s	IC TC74VHC244F
IC1301	8-759-233-66	s	IC TC74HCT04AF
IC1304	8-759-927-15	s	IC SN74HCT245ANS
IC1306	8-759-926-49	s	IC SN74HC245ANS
IC1307	8-759-927-12	s	IC SN74HCT244ANS
IC1308	8-759-548-77	s	IC SN74LV245ANSR
IC1309	8-759-548-77	s	IC SN74LV245ANSR
PS1100	△ 1-533-347-21	s	LINK, IC, CHIP 0.5A (For Europa model)
	△ 1-533-271-21	s	FUSE, CHIP 0.5A 125V (For USA and Canada models)
Q1	*3 8-729-907-00	s	TRANSISTOR DTC114EU
Q2	*3 8-729-920-99	s	TRANSISTOR DTA114EU
Q3	*3 8-729-907-00	s	TRANSISTOR DTC114EU
Q4	*3 8-729-920-99	s	TRANSISTOR DTA114EU
Q54	8-729-920-99	s	TRANSISTOR DTA114EU
Q55-61	8-729-907-00	s	TRANSISTOR DTC114EU
Q100	8-729-101-07	s	TRANSISTOR 2SB798-DL
Q101	8-729-140-63	s	TRANSISTOR 2SA1611-M5M6
Q102	8-729-012-35	s	TRANSISTOR 2SK711-BL
Q103	8-729-101-07	s	TRANSISTOR 2SB798-DL
Q200	8-729-101-07	s	TRANSISTOR 2SB798-DL
Q201	8-729-140-63	s	TRANSISTOR 2SA1611-M5M6
Q202	8-729-012-35	s	TRANSISTOR 2SK711-BL
Q203	8-729-101-07	s	TRANSISTOR 2SB798-DL
Q300	8-729-101-07	s	TRANSISTOR 2SB798-DL
Q301	8-729-140-63	s	TRANSISTOR 2SA1611-M5M6
Q302	8-729-012-35	s	TRANSISTOR 2SK711-BL
Q303	8-729-101-07	s	TRANSISTOR 2SB798-DL
Q400	8-729-101-07	s	TRANSISTOR 2SB798-DL
Q401	8-729-140-63	s	TRANSISTOR 2SA1611-M5M6

\*1: Board No. suffix 11 only  
 \*2: Some Mounted circuit boards within board No. suffix 12  
 \*3: Board No. suffix 12 or higher

(APR-1 BOARD suffix 11 through 14)

Ref. No. or Q'ty	Part No.	SP	Description
Q402	8-729-012-35	s	TRANSISTOR 2SK711-BL
Q403	8-729-101-07	s	TRANSISTOR 2SB798-DL
Q500	8-729-012-35	s	TRANSISTOR 2SK711-BL
Q501	8-729-012-35	s	TRANSISTOR 2SK711-BL
Q504	8-729-140-63	s	TRANSISTOR 2SA1611-M5M6
Q505	8-729-140-63	s	TRANSISTOR 2SA1611-M5M6
Q506	8-729-119-78	s	TRANSISTOR 2SC2785-HFE
Q507	8-729-119-78	s	TRANSISTOR 2SC2785-HFE
Q700	8-729-012-35	s	TRANSISTOR 2SK711-BL
Q701	8-729-012-35	s	TRANSISTOR 2SK711-BL
Q704	8-729-140-63	s	TRANSISTOR 2SA1611-M5M6
Q705	8-729-140-63	s	TRANSISTOR 2SA1611-M5M6
Q706	8-729-119-78	s	TRANSISTOR 2SC2785-HFE
Q707	8-729-119-78	s	TRANSISTOR 2SC2785-HFE
Q900	8-729-012-35	s	TRANSISTOR 2SK711-BL
Q901	8-729-012-35	s	TRANSISTOR 2SK711-BL
Q902	8-729-119-78	s	TRANSISTOR 2SC2785-HFE
Q903	8-729-119-78	s	TRANSISTOR 2SC2785-HFE
Q904	8-729-140-63	s	TRANSISTOR 2SA1611-M5M6
Q905	8-729-140-63	s	TRANSISTOR 2SA1611-M5M6
Q906	8-729-119-78	s	TRANSISTOR 2SC2785-HFE
Q907	8-729-119-78	s	TRANSISTOR 2SC2785-HFE
Q1000	*3 8-729-012-35	s	TRANSISTOR 2SK711-BL
Q1001	*3 8-729-012-35	s	TRANSISTOR 2SK711-BL
Q1100	*8 8-729-110-94	s	TRANSISTOR 2SK425-X15
Q1101	*8 8-729-110-94	s	TRANSISTOR 2SK425-X15
Q1103	*8 8-729-140-63	s	TRANSISTOR 2SA1611-M5M6
R1-6	1-216-073-00	s	METAL, CHIP 10K 5% 1/10W (2125)
R7-10	*b 1-216-663-11	s	METAL, CHIP 3.3K 0.5% 1/10W (2125)
	*a 1-216-001-00	s	METAL, CHIP 10 5% 1/10W (2125)
R11-14	1-216-619-11	s	METAL, CHIP 47 0.5% 1/10W (2125)
R15	1-216-073-00	s	METAL, CHIP 10K 5% 1/10W (2125)
R16	1-216-073-00	s	METAL, CHIP 10K 5% 1/10W (2125)
R17-26	1-216-295-00	s	METAL, CHIP 0 (2125)
R27	1-216-073-00	s	METAL, CHIP 10K 5% 1/10W (2125)
R28	1-208-774-11	s	METAL, CHIP 470 0.5% 1/10W (2125)
R29	1-216-651-11	s	METAL, CHIP 1.0K 0.5% 1/10W (2125)
R30	1-216-073-00	s	METAL, CHIP 10K 5% 1/10W (2125)
R31	1-216-073-00	s	METAL, CHIP 10K 5% 1/10W (2125)
R32	1-216-045-00	s	METAL, CHIP 680 5% 1/10W (2125)
R33	*1 1-216-049-00	s	METAL, CHIP 1.0K 5% 1/10W (2125)
R34	1-216-057-00	s	METAL, CHIP 2.2K 5% 1/10W (2125)
R35	1-216-073-00	s	METAL, CHIP 10K 5% 1/10W (2125)
R41	1-216-025-00	s	METAL, CHIP 100 5% 1/10W (2125)
R42	1-208-824-11	s	METAL, CHIP 56K 0.5% 1/10W (2125)
R43	1-208-824-11	s	METAL, CHIP 56K 0.5% 1/10W (2125)
R44	1-216-073-00	s	METAL, CHIP 10K 5% 1/10W (2125)
R45	*1*2 1-216-073-00	s	METAL, CHIP 10K 5% 1/10W (2125)
R47	1-216-065-00	s	METAL, CHIP 4.7K 5% 1/10W (2125)
R48	1-216-065-00	s	METAL, CHIP 4.7K 5% 1/10W (2125)
R49	1-216-073-00	s	METAL, CHIP 10K 5% 1/10W (2125)
R50	1-216-295-00	s	METAL, CHIP 0 (2125)
R51	1-216-041-00	s	METAL, CHIP 470 5% 1/10W (2125)
R52	1-216-675-11	s	METAL, CHIP 10K 0.5% 1/10W (2125)
R53	1-216-041-00	s	METAL, CHIP 470 5% 1/10W (2125)
R62	1-216-073-00	s	METAL, CHIP 10K 5% 1/10W (2125)
R71	1-216-073-00	s	METAL, CHIP 10K 5% 1/10W (2125)

\*8: LOT No. 302 through 409  
 \*a: LOT No. 302 through 803  
 \*b: LOT No. 804 or higher

(APR-1 BOARD suffix 11 through 14)

Ref. No. or Q'ty	Part No.	SP	Description
R73	1-216-073-00	s	METAL, CHIP 10K 5% 1/10W (2125)
R74	1-216-073-00	s	METAL, CHIP 10K 5% 1/10W (2125)
R82	1-216-295-00	s	METAL, CHIP 0 (2125)
R83	1-216-666-11	s	METAL, CHIP 4.3K 0.5% 1/10W
R84	1-216-638-11	s	METAL, CHIP 300 0.5% 1/10W (2125)
R85	1-216-065-00	s	METAL, CHIP 4.7K 5% 1/10W (2125)
R86	1-216-065-00	s	METAL, CHIP 4.7K 5% 1/10W (2125)
R93	1-216-089-00	s	METAL, CHIP 47K 5% 1/10W (2125)
R94	1-216-049-00	s	METAL, CHIP 1.0K 5% 1/10W (2125)
R95	1-216-073-00	s	METAL, CHIP 10K 5% 1/10W (2125)
R96	1-216-073-00	s	METAL, CHIP 10K 5% 1/10W (2125)
R97	1-216-057-00	s	METAL, CHIP 2.2K 5% 1/10W (2125)
R98	1-216-073-00	s	METAL, CHIP 10K 5% 1/10W (2125)
R100	1-216-699-11	s	METAL, CHIP 100K 0.5% 1/10W
R101	1-216-699-11	s	METAL, CHIP 100K 0.5% 1/10W
R102	1-216-081-00	s	METAL, CHIP 22K 5% 1/10W (2125)
R103	1-216-675-11	s	METAL, CHIP 10K 0.5% 1/10W (2125)
R104	1-216-675-11	s	METAL, CHIP 10K 0.5% 1/10W
R105	1-208-789-11	s	METAL, CHIP 2.0K 0.5% 1/10W
R106	1-216-657-11	s	METAL, CHIP 1.8K 0.5% 1/10W
R107	1-216-667-11	s	METAL, CHIP 4.7K 0.5% 1/10W
R108	1-208-789-11	s	METAL, CHIP 2.0K 0.5% 1/10W
R109	1-216-675-11	s	METAL, CHIP 10K 0.5% 1/10W
R110	1-216-651-11	s	METAL, CHIP 1.0K 0.5% 1/10W
R111	1-216-609-11	s	METAL, CHIP 18 0.5% 1/10W (2125)
R112	1-216-025-00	s	METAL, CHIP 100 5% 1/10W (2125)
R113	1-216-661-11	s	METAL, CHIP 2.7K 0.5% 1/10W
R114	1-216-641-11	s	METAL, CHIP 390 0.5% 1/10W
R115	1-208-799-11	s	METAL, CHIP 5.1K 0.5% 1/10W
R116	1-216-121-00	s	METAL, CHIP 1.0M 5% 1/10W (2125)
R117	1-216-121-00	s	METAL, CHIP 1.0M 5% 1/10W (2125)
R118-121	1-216-667-11	s	METAL, CHIP 4.7K 0.5% 1/10W
R122	1-216-295-00	s	METAL, CHIP 0 (2125)
R123	1-216-663-11	s	METAL, CHIP 3.3K 0.5% 1/10W
R124	*5 1-216-661-11	s	METAL, CHIP 2.7K 0.5% 1/10W
	*4 1-216-667-11	s	METAL, CHIP 4.7K 0.5% 1/10W
R125	1-208-801-11	s	METAL, CHIP 6.2K 0.5% 1/10W
R126	1-216-641-11	s	METAL, CHIP 390 0.5% 1/10W
R127	1-216-651-11	s	METAL, CHIP 1.0K 0.5% 1/10W
R128	*5 1-216-661-11	s	METAL, CHIP 2.7K 0.5% 1/10W
	*4 1-216-667-11	s	METAL, CHIP 4.7K 0.5% 1/10W
R129	1-216-065-00	s	METAL, CHIP 4.7K 5% 1/10W (2125)
R130	1-216-651-11	s	METAL, CHIP 1.0K 0.5% 1/10W
R131	1-216-682-11	s	METAL, CHIP 20K 0.5% 1/10W (2125)
R132	1-216-627-11	s	METAL, CHIP 100 0.5% 1/10W (2125)
R133	1-208-799-11	s	METAL, CHIP 5.1K 0.5% 1/10W
R134	1-216-615-11	s	METAL, CHIP 33 0.5% 1/10W (2125)
R135	1-216-101-00	s	METAL, CHIP 150K 5% 1/10W (2125)
R136	1-216-073-00	s	METAL, CHIP 10K 5% 1/10W (2125)
R137	1-216-667-11	s	METAL, CHIP 4.7K 0.5% 1/10W
R138	1-216-667-11	s	METAL, CHIP 4.7K 0.5% 1/10W
R139	1-216-073-00	s	METAL, CHIP 10K 5% 1/10W (2125)
R140	*8 1-216-073-00	s	METAL, CHIP 10K 5% 1/10W (2125)
R141	1-216-049-00	s	METAL, CHIP 1.0K 5% 1/10W (2125)
R142	1-216-063-00	s	METAL, CHIP 3.9K 5% 1/10W (2125)
R143	1-216-081-00	s	METAL, CHIP 22K 5% 1/10W (2125)

-----  
 \*3: Board No. suffix 12 or higher  
 \*4: Board No. suffix 11 or 12

(APR-1 BOARD suffix 11 through 14)

Ref. No. or Q'ty	Part No.	SP	Description
R144	1-216-682-11	s	METAL, CHIP 20K 0.5% 1/10W (2125)
R145	1-216-095-00	s	METAL, CHIP 82K 5% 1/10W (2125)
R146	1-216-655-11	s	METAL, CHIP 1.5K 0.5% 1/10W (2125)
R147	1-216-121-00	s	METAL, CHIP 1.0M 5% 1/10W (2125)
R148	1-216-295-00	s	METAL, CHIP 0 (2125)
R149	*5 1-216-667-11	s	METAL, CHIP 4.7K 0.5% 1/10W (2125)
	*4 1-216-676-11	s	METAL, CHIP 11K 0.5% 1/10W (2125)
R150	1-216-059-00	s	METAL, CHIP 2.7K 5% 1/10W (2125)
R151	1-216-651-11	s	METAL, CHIP 1.0K 0.5% 1/10W (2125)
R152	1-216-659-11	s	METAL, CHIP 2.2K 0.5% 1/10W (2125)
R153	1-216-121-00	s	METAL, CHIP 1.0M 5% 1/10W (2125)
R154	1-216-679-11	s	METAL, CHIP 15K 0.5% 1/10W (2125)
R155	1-216-679-11	s	METAL, CHIP 15K 0.5% 1/10W (2125)
R156	1-216-073-00	s	METAL, CHIP 10K 5% 1/10W (2125)
R157	1-216-650-11	s	METAL, CHIP 910 0.5% 1/10W (2125)
R158	1-216-650-11	s	METAL, CHIP 910 0.5% 1/10W (2125)
R159	1-216-674-11	s	METAL, CHIP 9.1K 0.5% 1/10W (2125)
R160	*3 1-216-675-11	s	METAL, CHIP 10K 0.5% 1/10W (2125)
R161	*3 1-216-675-11	s	METAL, CHIP 10K 0.5% 1/10W (2125)
R162	1-208-801-11	s	METAL, CHIP 6.2K 0.5% 1/10W (2125)
R163	1-216-015-00	s	METAL, CHIP 39 5% 1/10W (2125)
R164	*3 1-216-675-11	s	METAL, CHIP 10K 0.5% 1/10W (2125)
R165	1-216-015-00	s	METAL, CHIP 39 5% 1/10W (2125)
R166	1-216-678-11	s	METAL, CHIP 13K 0.5% 1/10W (2125)
R167	1-208-774-11	s	METAL, CHIP 470 0.5% 1/10W (2125)
R168	1-216-295-00	s	METAL, CHIP 0 (2125)
R169	1-216-065-00	s	METAL, CHIP 4.7K 5% 1/10W (2125)
R172	*5 1-208-801-11	s	METAL, CHIP 6.2K 0.5% 1/10W (2125)
	*4 1-208-789-11	s	METAL, CHIP 2.0K 0.5% 1/10W (2125)
R173	*5 1-216-627-11	s	METAL, CHIP 100 0.5% 1/10W (2125)
	*4 1-216-645-11	s	METAL, CHIP 560 0.5% 1/10W (2125)
R174-177	1-216-065-00	s	METAL, CHIP 4.7K 5% 1/10W (2125)
R178	1-216-663-11	s	METAL, CHIP 3.3K 0.5% 1/10W (2125)
R179	*3 1-216-675-11	s	METAL, CHIP 10K 0.5% 1/10W (2125)
R180	1-216-699-11	s	METAL, CHIP 100K 0.5% 1/10W (2125)
R181	1-216-699-11	s	METAL, CHIP 100K 0.5% 1/10W (2125)
R182	1-216-295-00	s	METAL, CHIP 0 (2125)
R183	1-216-295-00	s	METAL, CHIP 0 (2125)
R184	1-216-017-00	s	METAL, CHIP 47 5% 1/10W (2125)
R185	1-216-657-11	s	METAL, CHIP 1.8K 0.5% 1/10W (2125)
R200	1-216-699-11	s	METAL, CHIP 100K 0.5% 1/10W (2125)
R201	1-216-699-11	s	METAL, CHIP 100K 0.5% 1/10W (2125)
R202	1-216-081-00	s	METAL, CHIP 22K 5% 1/10W (2125)
R203	1-216-675-11	s	METAL, CHIP 10K 0.5% 1/10W (2125)
R204	1-216-675-11	s	METAL, CHIP 10K 0.5% 1/10W (2125)
R205	1-208-789-11	s	METAL, CHIP 2.0K 0.5% 1/10W (2125)
R206	1-216-657-11	s	METAL, CHIP 1.8K 0.5% 1/10W (2125)
R207	1-216-667-11	s	METAL, CHIP 4.7K 0.5% 1/10W (2125)
R208	1-208-789-11	s	METAL, CHIP 2.0K 0.5% 1/10W (2125)
R209	1-216-675-11	s	METAL, CHIP 10K 0.5% 1/10W (2125)
R210	1-216-651-11	s	METAL, CHIP 1.0K 0.5% 1/10W (2125)
R211	1-216-609-11	s	METAL, CHIP 18 0.5% 1/10W (2125)
R212	1-216-025-00	s	METAL, CHIP 100 5% 1/10W (2125)
R213	1-216-661-11	s	METAL, CHIP 2.7K 0.5% 1/10W (2125)
R214	1-216-641-11	s	METAL, CHIP 390 0.5% 1/10W (2125)

-----  
 \*5: Board No. suffix 13 or higher  
 \*8: LOT No. 302 through 409

(APR-1 BOARD suffix 11 through 14)

Ref. No. or Q'ty	Part No.	SP Description
R215	1-208-799-11	s METAL, CHIP 5.1K 0.5% 1/10W
R216	1-216-121-00	s METAL, CHIP 1.0M 5% 1/10W (2125)
R217	1-216-121-00	s METAL, CHIP 1.0M 5% 1/10W (2125)
R218-221	1-216-667-11	s METAL, CHIP 4.7K 0.5% 1/10W
R222	1-216-295-00	s METAL, CHIP 0 (2125)
R223	1-216-663-11	s METAL, CHIP 3.3K 0.5% 1/10W
R224	*5 1-216-661-11	s METAL, CHIP 2.7K 0.5% 1/10W
	*4 1-216-667-11	s METAL, CHIP 4.7K 0.5% 1/10W
R225	1-208-801-11	s METAL, CHIP 6.2K 0.5% 1/10W
R226	1-216-641-11	s METAL, CHIP 390 0.5% 1/10W
R227	1-216-651-11	s METAL, CHIP 1.0K 0.5% 1/10W
R228	*5 1-216-661-11	s METAL, CHIP 2.7K 0.5% 1/10W
	*4 1-216-667-11	s METAL, CHIP 4.7K 0.5% 1/10W
R229	1-216-065-00	s METAL, CHIP 4.7K 5% 1/10W (2125)
R230	1-216-651-11	s METAL, CHIP 1.0K 0.5% 1/10W
R231	1-216-682-11	s METAL, CHIP 20K 0.5% 1/10W (2125)
R232	1-216-627-11	s METAL, CHIP 100 0.5% 1/10W (2125)
R233	1-208-799-11	s METAL, CHIP 5.1K 0.5% 1/10W
R234	1-216-101-00	s METAL, CHIP 150K 5% 1/10W (2125)
R235	1-216-615-11	s METAL, CHIP 33 0.5% 1/10W (2125)
R236	1-216-073-00	s METAL, CHIP 10K 5% 1/10W (2125)
R237	1-216-667-11	s METAL, CHIP 4.7K 0.5% 1/10W
R238	1-216-667-11	s METAL, CHIP 4.7K 0.5% 1/10W
R239	1-216-073-00	s METAL, CHIP 10K 5% 1/10W (2125)
R240	*8 1-216-073-00	s METAL, CHIP 10K 5% 1/10W (2125)
R241	1-216-049-00	s METAL, CHIP 1.0K 5% 1/10W (2125)
R242	1-216-063-00	s METAL, CHIP 3.9K 5% 1/10W (2125)
R243	1-216-081-00	s METAL, CHIP 22K 5% 1/10W (2125)
R244	1-216-682-11	s METAL, CHIP 20K 0.5% 1/10W (2125)
R245	1-216-095-00	s METAL, CHIP 82K 5% 1/10W (2125)
R246	1-216-655-11	s METAL, CHIP 1.5K 0.5% 1/10W
R247	1-216-121-00	s METAL, CHIP 1.0M 5% 1/10W (2125)
R248	1-216-295-00	s METAL, CHIP 0 (2125)
R249	*5 1-216-667-11	s METAL, CHIP 4.7K 0.5% 1/10W
	*4 1-216-676-11	s METAL, CHIP 11K 0.5% 1/10W (2125)
R250	1-216-059-00	s METAL, CHIP 2.7K 5% 1/10W (2125)
R251	1-216-651-11	s METAL, CHIP 1.0K 0.5% 1/10W
R252	1-216-659-11	s METAL, CHIP 2.2K 0.5% 1/10W
R253	1-216-121-00	s METAL, CHIP 1.0M 5% 1/10W (2125)
R254	1-216-679-11	s METAL, CHIP 15K 0.5% 1/10W (2125)
R255	1-216-679-11	s METAL, CHIP 15K 0.5% 1/10W (2125)
R256	1-216-073-00	s METAL, CHIP 10K 5% 1/10W (2125)
R257	1-216-650-11	s METAL, CHIP 910 0.5% 1/10W (2125)
R258	1-216-650-11	s METAL, CHIP 910 0.5% 1/10W (2125)
R259	1-216-674-11	s METAL, CHIP 9.1K 0.5% 1/10W
R260	*3 1-216-675-11	s METAL, CHIP 10K 0.5% 1/10W (2125)
R261	*3 1-216-675-11	s METAL, CHIP 10K 0.5% 1/10W (2125)
R262	1-208-801-11	s METAL, CHIP 6.2K 0.5% 1/10W
R263	1-216-015-00	s METAL, CHIP 39 5% 1/10W (2125)
R264	*3 1-216-675-11	s METAL, CHIP 10K 0.5% 1/10W (2125)
R265	1-216-015-00	s METAL, CHIP 39 5% 1/10W (2125)
R267	1-208-774-11	s METAL, CHIP 470 0.5% 1/10W (2125)
R268	1-216-295-00	s METAL, CHIP 0 (2125)
R269	1-216-065-00	s METAL, CHIP 4.7K 5% 1/10W (2125)
R270	1-216-678-11	s METAL, CHIP 13K 0.5% 1/10W (2125)

-----  
 \*3: Board No. suffix 12 or higher  
 \*4: Board No. suffix 11 or 12

(APR-1 BOARD suffix 11 through 14)

Ref. No. or Q'ty	Part No.	SP Description
R272	*5 1-208-801-11	s METAL, CHIP 6.2K 0.5% 1/10W (2125)
	*4 1-208-789-11	s METAL, CHIP 2.0K 0.5% 1/10W (2125)
R273	*5 1-216-627-11	s METAL, CHIP 100 0.5% 1/10W (2125)
	*4 1-216-645-11	s METAL, CHIP 560 0.5% 1/10W (2125)
R274-277	1-216-065-00	s METAL, CHIP 4.7K 5% 1/10W (2125)
R278	1-216-663-11	s METAL, CHIP 3.3K 0.5% 1/10W (2125)
R279	*3 1-216-675-11	s METAL, CHIP 10K 0.5% 1/10W (2125)
R280	1-216-699-11	s METAL, CHIP 100K 0.5% 1/10W (2125)
R281	1-216-699-11	s METAL, CHIP 100K 0.5% 1/10W (2125)
R282	1-216-295-00	s METAL, CHIP 0 (2125)
R283	1-216-295-00	s METAL, CHIP 0 (2125)
R284	1-216-657-11	s METAL, CHIP 1.8K 0.5% 1/10W (2125)
R300	1-216-699-11	s METAL, CHIP 100K 0.5% 1/10W (2125)
R301	1-216-699-11	s METAL, CHIP 100K 0.5% 1/10W (2125)
R302	1-216-081-00	s METAL, CHIP 22K 5% 1/10W (2125)
R303	1-216-675-11	s METAL, CHIP 10K 0.5% 1/10W (2125)
R304	1-216-675-11	s METAL, CHIP 10K 0.5% 1/10W (2125)
R305	1-208-789-11	s METAL, CHIP 2.0K 0.5% 1/10W (2125)
R306	1-216-657-11	s METAL, CHIP 1.8K 0.5% 1/10W (2125)
R307	1-216-667-11	s METAL, CHIP 4.7K 0.5% 1/10W (2125)
R308	1-208-789-11	s METAL, CHIP 2.0K 0.5% 1/10W (2125)
R309	1-216-675-11	s METAL, CHIP 10K 0.5% 1/10W (2125)
R310	1-216-651-11	s METAL, CHIP 1.0K 0.5% 1/10W (2125)
R311	1-216-609-11	s METAL, CHIP 18 0.5% 1/10W (2125)
R312	1-216-025-00	s METAL, CHIP 100 5% 1/10W (2125)
R313	1-216-661-11	s METAL, CHIP 2.7K 0.5% 1/10W (2125)
R314	1-216-641-11	s METAL, CHIP 390 0.5% 1/10W (2125)
R315	1-208-799-11	s METAL, CHIP 5.1K 0.5% 1/10W (2125)
R316	1-216-121-00	s METAL, CHIP 1.0M 5% 1/10W (2125)
R317	1-216-121-00	s METAL, CHIP 1.0M 5% 1/10W (2125)
R318-321	1-216-667-11	s METAL, CHIP 4.7K 0.5% 1/10W (2125)
R322	1-216-295-00	s METAL, CHIP 0 (2125)
R323	1-216-663-11	s METAL, CHIP 3.3K 0.5% 1/10W (2125)
R324	*5 1-216-661-11	s METAL, CHIP 2.7K 0.5% 1/10W (2125)
	*4 1-216-667-11	s METAL, CHIP 4.7K 0.5% 1/10W (2125)
R325	1-208-801-11	s METAL, CHIP 6.2K 0.5% 1/10W (2125)
R326	1-216-641-11	s METAL, CHIP 390 0.5% 1/10W (2125)
R327	1-216-651-11	s METAL, CHIP 1.0K 0.5% 1/10W (2125)
R328	*5 1-216-661-11	s METAL, CHIP 2.7K 0.5% 1/10W (2125)
	*4 1-216-667-11	s METAL, CHIP 4.7K 0.5% 1/10W (2125)
R329	1-216-065-00	s METAL, CHIP 4.7K 5% 1/10W (2125)
R330	1-216-651-11	s METAL, CHIP 1.0K 0.5% 1/10W (2125)
R331	1-216-682-11	s METAL, CHIP 20K 0.5% 1/10W (2125)
R332	1-216-627-11	s METAL, CHIP 100 0.5% 1/10W (2125)
R333	1-208-799-11	s METAL, CHIP 5.1K 0.5% 1/10W (2125)
R334	1-216-615-11	s METAL, CHIP 33 0.5% 1/10W (2125)
R335	1-216-101-00	s METAL, CHIP 150K 5% 1/10W (2125)
R336	1-216-073-00	s METAL, CHIP 10K 5% 1/10W (2125)
R337	1-216-667-11	s METAL, CHIP 4.7K 0.5% 1/10W (2125)
R338	1-216-667-11	s METAL, CHIP 4.7K 0.5% 1/10W (2125)
R339	1-216-073-00	s METAL, CHIP 10K 5% 1/10W (2125)
R340	*8 1-216-073-00	s METAL, CHIP 10K 5% 1/10W (2125)
R341	1-216-049-00	s METAL, CHIP 1.0K 5% 1/10W (2125)
R342	1-216-063-00	s METAL, CHIP 3.9K 5% 1/10W (2125)
R343	1-216-081-00	s METAL, CHIP 22K 5% 1/10W (2125)

-----  
 \*5: Board No. suffix 13 or higher  
 \*8: LOT No. 302 through 409



(APR-1 BOARD suffix 11 through 14)

Ref. No. or Q'ty	Part No.	SP	Description
R344	1-216-682-11	s	METAL, CHIP 20K 0.5% 1/10W (2125)
R345	1-216-095-00	s	METAL, CHIP 82K 5% 1/10W (2125)
R346	1-216-655-11	s	METAL, CHIP 1.5K 0.5% 1/10W
R347	1-216-121-00	s	METAL, CHIP 1.0M 5% 1/10W (2125)
R348	1-216-295-00	s	METAL, CHIP 0 (2125)
R349	*5 1-216-667-11	s	METAL, CHIP 4.7K 0.5% 1/10W
	*4 1-216-676-11	s	METAL, CHIP 11K 0.5% 1/10W (2125)
R350	1-216-059-00	s	METAL, CHIP 2.7K 5% 1/10W (2125)
R351	1-216-651-11	s	METAL, CHIP 1.0K 0.5% 1/10W
R352	1-216-659-11	s	METAL, CHIP 2.2K 0.5% 1/10W
R353	1-216-121-00	s	METAL, CHIP 1.0M 5% 1/10W (2125)
R354	1-216-679-11	s	METAL, CHIP 15K 0.5% 1/10W (2125)
R355	1-216-679-11	s	METAL, CHIP 15K 0.5% 1/10W
R356	1-216-073-00	s	METAL, CHIP 10K 5% 1/10W (2125)
R357	1-216-650-11	s	METAL, CHIP 910 0.5% 1/10W (2125)
R358	1-216-650-11	s	METAL, CHIP 910 0.5% 1/10W (2125)
R359	1-216-674-11	s	METAL, CHIP 9.1K 0.5% 1/10W
R360	*3 1-216-675-11	s	METAL, CHIP 10K 0.5% 1/10W
R361	*3 1-216-675-11	s	METAL, CHIP 10K 0.5% 1/10W (2125)
R362	1-208-801-11	s	METAL, CHIP 6.2K 0.5% 1/10W
R363	1-216-015-00	s	METAL, CHIP 39 5% 1/10W (2125)
R364	*3 1-216-675-11	s	METAL, CHIP 10K 0.5% 1/10W (2125)
R365	1-216-015-00	s	METAL, CHIP 39 5% 1/10W (2125)
R366	1-216-678-11	s	METAL, CHIP 13K 0.5% 1/10W (2125)
R367	1-208-774-11	s	METAL, CHIP 470 0.5% 1/10W (2125)
R368	1-216-295-00	s	METAL, CHIP 0 (2125)
R369	1-216-065-00	s	METAL, CHIP 4.7K 5% 1/10W (2125)
R372	*5 1-208-801-11	s	METAL, CHIP 6.2K 0.5% 1/10W
	*4 1-208-789-11	s	METAL, CHIP 2.0K 0.5% 1/10W
R373	*5 1-216-627-11	s	METAL, CHIP 100 0.5% 1/10W (2125)
	*4 1-216-645-11	s	METAL, CHIP 560 0.5% 1/10W (2125)
R374-377	1-216-065-00	s	METAL, CHIP 4.7K 5% 1/10W (2125)
R378	1-216-663-11	s	METAL, CHIP 3.3K 0.5% 1/10W
R379	*3 1-216-675-11	s	METAL, CHIP 10K 0.5% 1/10W (2125)
R380	1-216-699-11	s	METAL, CHIP 100K 0.5% 1/10W
R381	1-216-699-11	s	METAL, CHIP 100K 0.5% 1/10W
R382	1-216-295-00	s	METAL, CHIP 0 (2125)
R383	1-216-295-00	s	METAL, CHIP 0 (2125)
R384	1-216-017-00	s	METAL, CHIP 47 5% 1/10W (2125)
R385	1-216-657-11	s	METAL, CHIP 1.8K 0.5% 1/10W
R400	1-216-699-11	s	METAL, CHIP 100K 0.5% 1/10W
R401	1-216-699-11	s	METAL, CHIP 100K 0.5% 1/10W
R402	1-216-081-00	s	METAL, CHIP 22K 5% 1/10W (2125)
R403	1-216-675-11	s	METAL, CHIP 10K 0.5% 1/10W (2125)
R404	1-216-675-11	s	METAL, CHIP 10K 0.5% 1/10W
R405	1-208-789-11	s	METAL, CHIP 2.0K 0.5% 1/10W
R406	1-216-657-11	s	METAL, CHIP 1.8K 0.5% 1/10W
R407	1-216-667-11	s	METAL, CHIP 4.7K 0.5% 1/10W
R408	1-208-789-11	s	METAL, CHIP 2.0K 0.5% 1/10W
R409	1-216-675-11	s	METAL, CHIP 10K 0.5% 1/10W
R410	1-216-651-11	s	METAL, CHIP 1.0K 0.5% 1/10W
R411	1-216-609-11	s	METAL, CHIP 18 0.5% 1/10W (2125)
R412	1-216-025-00	s	METAL, CHIP 100 5% 1/10W (2125)
R413	1-216-661-11	s	METAL, CHIP 2.7K 0.5% 1/10W
R414	1-216-641-11	s	METAL, CHIP 390 0.5% 1/10W

-----  
 \*3: Board No. suffix 12 or higher  
 \*4: Board No. suffix 11 or 12

(APR-1 BOARD suffix 11 through 14)

Ref. No. or Q'ty	Part No.	SP	Description
R415	1-208-799-11	s	METAL, CHIP 5.1K 0.5% 1/10W (2125)
R416	1-216-121-00	s	METAL, CHIP 1.0M 5% 1/10W (2125)
R417	1-216-121-00	s	METAL, CHIP 1.0M 5% 1/10W (2125)
R418-421	1-216-667-11	s	METAL, CHIP 4.7K 0.5% 1/10W (2125)
R422	1-216-295-00	s	METAL, CHIP 0 (2125)
R423	1-216-663-11	s	METAL, CHIP 3.3K 0.5% 1/10W (2125)
R424	*5 1-216-661-11	s	METAL, CHIP 2.7K 0.5% 1/10W (2125)
	*4 1-216-667-11	s	METAL, CHIP 4.7K 0.5% 1/10W (2125)
R425	1-208-801-11	s	METAL, CHIP 6.2K 0.5% 1/10W (2125)
R426	1-216-641-11	s	METAL, CHIP 390 0.5% 1/10W (2125)
R427	1-216-651-11	s	METAL, CHIP 1.0K 0.5% 1/10W (2125)
R428	*5 1-216-661-11	s	METAL, CHIP 2.7K 0.5% 1/10W (2125)
	*4 1-216-667-11	s	METAL, CHIP 4.7K 0.5% 1/10W (2125)
R429	1-216-065-00	s	METAL, CHIP 4.7K 5% 1/10W (2125)
R430	1-216-651-11	s	METAL, CHIP 1.0K 0.5% 1/10W (2125)
R431	1-216-682-11	s	METAL, CHIP 20K 0.5% 1/10W (2125)
R432	1-216-627-11	s	METAL, CHIP 100 0.5% 1/10W (2125)
R433	1-208-799-11	s	METAL, CHIP 5.1K 0.5% 1/10W (2125)
R434	1-216-101-00	s	METAL, CHIP 150K 5% 1/10W (2125)
R435	1-216-615-11	s	METAL, CHIP 33 0.5% 1/10W (2125)
R436	1-216-073-00	s	METAL, CHIP 10K 5% 1/10W (2125)
R437	1-216-667-11	s	METAL, CHIP 4.7K 0.5% 1/10W (2125)
R438	1-216-667-11	s	METAL, CHIP 4.7K 0.5% 1/10W (2125)
R439	1-216-073-00	s	METAL, CHIP 10K 5% 1/10W (2125)
R440	*8 1-216-073-00	s	METAL, CHIP 10K 5% 1/10W (2125)
R441	1-216-049-00	s	METAL, CHIP 1.0K 5% 1/10W (2125)
R442	1-216-063-00	s	METAL, CHIP 3.9K 5% 1/10W (2125)
R443	1-216-081-00	s	METAL, CHIP 22K 5% 1/10W (2125)
R444	1-216-682-11	s	METAL, CHIP 20K 0.5% 1/10W (2125)
R445	1-216-095-00	s	METAL, CHIP 82K 5% 1/10W (2125)
R446	1-216-655-11	s	METAL, CHIP 1.5K 0.5% 1/10W (2125)
R447	1-216-121-00	s	METAL, CHIP 1.0M 5% 1/10W (2125)
R448	1-216-295-00	s	METAL, CHIP 0 (2125)
R449	*5 1-216-667-11	s	METAL, CHIP 4.7K 0.5% 1/10W (2125)
	*4 1-216-676-11	s	METAL, CHIP 11K 0.5% 1/10W (2125)
R450	1-216-059-00	s	METAL, CHIP 2.7K 5% 1/10W (2125)
R451	1-216-651-11	s	METAL, CHIP 1.0K 0.5% 1/10W (2125)
R452	1-216-659-11	s	METAL, CHIP 2.2K 0.5% 1/10W (2125)
R453	1-216-121-00	s	METAL, CHIP 1.0M 5% 1/10W (2125)
R454	1-216-679-11	s	METAL, CHIP 15K 0.5% 1/10W (2125)
R455	1-216-679-11	s	METAL, CHIP 15K 0.5% 1/10W (2125)
R456	1-216-073-00	s	METAL, CHIP 10K 5% 1/10W (2125)
R457	1-216-650-11	s	METAL, CHIP 910 0.5% 1/10W (2125)
R458	1-216-650-11	s	METAL, CHIP 910 0.5% 1/10W (2125)
R459	1-216-674-11	s	METAL, CHIP 9.1K 0.5% 1/10W (2125)
R460	*3 1-216-675-11	s	METAL, CHIP 10K 0.5% 1/10W (2125)
R461	*3 1-216-675-11	s	METAL, CHIP 10K 0.5% 1/10W (2125)
R462	1-208-801-11	s	METAL, CHIP 6.2K 0.5% 1/10W (2125)
R463	1-216-015-00	s	METAL, CHIP 39 5% 1/10W (2125)
R464	*3 1-216-675-11	s	METAL, CHIP 10K 0.5% 1/10W (2125)
R465	1-216-015-00	s	METAL, CHIP 39 5% 1/10W (2125)
R467	1-208-774-11	s	METAL, CHIP 470 0.5% 1/10W (2125)
R468	1-216-295-00	s	METAL, CHIP 0 (2125)
R469	1-216-065-00	s	METAL, CHIP 4.7K 5% 1/10W (2125)
R470	1-216-678-11	s	METAL, CHIP 13K 0.5% 1/10W (2125)

-----  
 \*5: Board No. suffix 13 or higher  
 \*8: LOT No. 302 through 409

(APR-1 BOARD suffix 11 through 14)

Ref. No. or Q'ty	Part No.	SP	Description
R472	*5 1-208-801-11	s	METAL, CHIP 6.2K 0.5% 1/10W
	*4 1-208-789-11	s	METAL, CHIP 2.0K 0.5% 1/10W
R473	*5 1-216-627-11	s	METAL, CHIP 100 0.5% 1/10W (2125)
	*4 1-216-645-11	s	METAL, CHIP 560 0.5% 1/10W (2125)
R474-477	1-216-065-00	s	METAL, CHIP 4.7K 5% 1/10W (2125)
R478	1-216-663-11	s	METAL, CHIP 3.3K 0.5% 1/10W
R479	*3 1-216-675-11	s	METAL, CHIP 10K 0.5% 1/10W (2125)
R480	1-216-699-11	s	METAL, CHIP 100K 0.5% 1/10W
R481	1-216-699-11	s	METAL, CHIP 100K 0.5% 1/10W
R482	1-216-295-00	s	METAL, CHIP 0 (2125)
R483	1-216-295-00	s	METAL, CHIP 0 (2125)
R484	1-216-657-11	s	METAL, CHIP 1.8K 0.5% 1/10W
R500-504	1-216-073-00	s	METAL, CHIP 10K 5% 1/10W (2125)
R505	1-216-121-00	s	METAL, CHIP 1.0M 5% 1/10W (2125)
R506	1-216-121-00	s	METAL, CHIP 1.0M 5% 1/10W (2125)
R507	*5 1-216-659-11	s	METAL, CHIP 2.2K 0.5% 1/10W
	*4 1-216-065-00	s	METAL, CHIP 4.7K 5% 1/10W (2125)
R508	*5 1-216-659-11	s	METAL, CHIP 2.2K 0.5% 1/10W
	*4 1-216-065-00	s	METAL, CHIP 4.7K 5% 1/10W (2125)
R509	1-216-638-11	s	METAL, CHIP 300 0.5% 1/10W (2125)
R510	1-216-638-11	s	METAL, CHIP 300 0.5% 1/10W (2125)
R511	1-216-676-11	s	METAL, CHIP 11K 0.5% 1/10W (2125)
R512	1-216-676-11	s	METAL, CHIP 11K 0.5% 1/10W (2125)
R513	1-208-814-11	s	METAL, CHIP 22K 0.5% 1/10W
R514	1-208-814-11	s	METAL, CHIP 22K 0.5% 1/10W (2125)
R515-518	1-216-655-11	s	METAL, CHIP 1.5K 0.5% 1/10W
R519-522	1-216-679-11	s	METAL, CHIP 15K 0.5% 1/10W (2125)
R523	1-216-651-11	s	METAL, CHIP 1.0K 0.5% 1/10W
R524	1-216-651-11	s	METAL, CHIP 1.0K 0.5% 1/10W
R525	1-216-095-00	s	METAL, CHIP 82K 5% 1/10W (2125)
R526	1-216-095-00	s	METAL, CHIP 82K 5% 1/10W (2125)
R527	1-216-659-11	s	METAL, CHIP 2.2K 0.5% 1/10W
R528	1-216-659-11	s	METAL, CHIP 2.2K 0.5% 1/10W
R531	1-216-295-00	s	METAL, CHIP 0 (2125)
R532	1-216-295-00	s	METAL, CHIP 0 (2125)
R533	1-216-081-00	s	METAL, CHIP 22K 5% 1/10W (2125)
R534	1-216-081-00	s	METAL, CHIP 22K 5% 1/10W (2125)
R535	1-216-049-00	s	METAL, CHIP 1.0K 5% 1/10W (2125)
R536	1-216-063-00	s	METAL, CHIP 3.9K 5% 1/10W (2125)
R537	1-216-049-00	s	METAL, CHIP 1.0K 5% 1/10W (2125)
R538	1-216-063-00	s	METAL, CHIP 3.9K 5% 1/10W (2125)
R539-544	1-216-073-00	s	METAL, CHIP 10K 5% 1/10W (2125)
R545	1-216-679-11	s	METAL, CHIP 15K 0.5% 1/10W (2125)
R546	1-216-679-11	s	METAL, CHIP 15K 0.5% 1/10W
R547	1-216-682-11	s	METAL, CHIP 20K 0.5% 1/10W (2125)
R548	1-216-677-11	s	METAL, CHIP 12K 0.5% 1/10W
R549	1-216-673-11	s	METAL, CHIP 8.2K 0.5% 1/10W
R550	1-216-682-11	s	METAL, CHIP 20K 0.5% 1/10W (2125)
R551	1-216-677-11	s	METAL, CHIP 12K 0.5% 1/10W (2125)
R552	1-216-673-11	s	METAL, CHIP 8.2K 0.5% 1/10W
R553	1-216-652-11	s	METAL, CHIP 1.1K 0.5% 1/10W
R554	1-216-652-11	s	METAL, CHIP 1.1K 0.5% 1/10W
R555	1-216-641-11	s	METAL, CHIP 390 0.5% 1/10W (2125)
R556	1-216-646-11	s	METAL, CHIP 620 0.5% 1/10W (2125)

-----  
 \*3: Board No. suffix 12 or higher  
 \*4: Board No. suffix 11 or 12

(APR-1 BOARD suffix 11 through 14)

Ref. No. or Q'ty	Part No.	SP	Description
R557	1-216-648-11	s	METAL, CHIP 750 0.5% 1/10W (2125)
R558	1-216-631-11	s	METAL, CHIP 150 0.5% 1/10W (2125)
R559	1-216-641-11	s	METAL, CHIP 390 0.5% 1/10W (2125)
R560	1-216-646-11	s	METAL, CHIP 620 0.5% 1/10W (2125)
R561	1-216-648-11	s	METAL, CHIP 750 0.5% 1/10W (2125)
R562	1-216-631-11	s	METAL, CHIP 150 0.5% 1/10W (2125)
R563-566	1-218-367-11	s	METAL, CHIP 10K 0.1% 1/16W (2125)
R567-574	1-211-998-11	s	METAL, CHIP 4.7K 0.1% 1/16W (2125)
R575-578	1-218-367-11	s	METAL, CHIP 10K 0.1% 1/16W (2125)
R579	1-216-651-11	s	METAL, CHIP 1.0K 0.5% 1/10W (2125)
R580	1-218-367-11	s	METAL, CHIP 10K 0.1% 1/16W (2125)
R581	1-216-097-00	s	METAL, CHIP 100K 5% 1/10W (2125)
R582	1-218-367-11	s	METAL, CHIP 10K 0.1% 1/16W (2125)
R583	1-216-651-11	s	METAL, CHIP 1.0K 0.5% 1/10W (2125)
R584	1-216-097-00	s	METAL, CHIP 100K 5% 1/10W (2125)
R585	1-216-651-11	s	METAL, CHIP 1.0K 0.5% 1/10W (2125)
R586	1-218-367-11	s	METAL, CHIP 10K 0.1% 1/16W (2125)
R587	1-216-097-00	s	METAL, CHIP 100K 5% 1/10W (2125)
R588	1-218-367-11	s	METAL, CHIP 10K 0.1% 1/16W (2125)
R589	1-216-651-11	s	METAL, CHIP 1.0K 0.5% 1/10W (2125)
R590	1-216-097-00	s	METAL, CHIP 100K 5% 1/10W (2125)
R591-594	1-216-619-11	s	METAL, CHIP 47 0.5% 1/10W (2125)
R595-598	1-216-699-11	s	METAL, CHIP 100K 0.5% 1/10W (2125)
R599	1-219-493-11	s	METAL, CHIP 22 0.5% 1/4W (3225)
R600	1-219-493-11	s	METAL, CHIP 22 0.5% 1/4W (3225)
R601	1-216-073-00	s	METAL, CHIP 10K 5% 1/10W (2125)
R602	1-216-073-00	s	METAL, CHIP 10K 5% 1/10W (2125)
R603	1-219-493-11	s	METAL, CHIP 22 0.5% 1/4W (3225)
R604	1-219-493-11	s	METAL, CHIP 22 0.5% 1/4W (3225)
R605	1-216-073-00	s	METAL, CHIP 10K 5% 1/10W (2125)
R606	1-216-073-00	s	METAL, CHIP 10K 5% 1/10W (2125)
R607	1-219-493-11	s	METAL, CHIP 22 0.5% 1/4W (3225)
R608	1-219-493-11	s	METAL, CHIP 22 0.5% 1/4W (3225)
R609	1-216-073-00	s	METAL, CHIP 10K 5% 1/10W (2125)
R610	1-216-073-00	s	METAL, CHIP 10K 5% 1/10W (2125)
R611	1-219-493-11	s	METAL, CHIP 22 0.5% 1/4W (3225)
R612	1-219-493-11	s	METAL, CHIP 22 0.5% 1/4W (3225)
R613	1-216-073-00	s	METAL, CHIP 10K 5% 1/10W (2125)
R614	1-216-073-00	s	METAL, CHIP 10K 5% 1/10W (2125)
R615	1-216-037-00	s	METAL, CHIP 330 5% 1/10W (2125)
R616	1-216-037-00	s	METAL, CHIP 330 5% 1/10W (2125)
R617	1-216-073-00	s	METAL, CHIP 10K 5% 1/10W (2125)
R618	1-216-073-00	s	METAL, CHIP 10K 5% 1/10W (2125)
R619	1-216-295-00	s	METAL, CHIP 0 (2125)
R620-623	1-216-017-00	s	METAL, CHIP 47 5% 1/10W (2125)
R624	*5 1-216-295-00	s	METAL, CHIP 0 (2125)
	*4 1-216-017-00	s	METAL, CHIP 47 5% 1/10W (2125)
R625	1-216-295-00	s	METAL, CHIP 0 (2125)
R626	1-216-690-11	s	METAL, CHIP 43K 0.5% 1/10W (2125)
R627	*5 1-208-811-11	s	METAL, CHIP 16K 0.5% 1/10W (2125)
	*4 1-216-659-11	s	METAL, CHIP 2.2K 0.5% 1/10W (2125)
R628	1-208-801-11	s	METAL, CHIP 6.2K 0.5% 1/10W (2125)
R629	1-216-295-00	s	METAL, CHIP 0 (2125)
R630	1-216-690-11	s	METAL, CHIP 43K 0.5% 1/10W (2125)
R631	*5 1-208-811-11	s	METAL, CHIP 16K 0.5% 1/10W (2125)
	*4 1-216-659-11	s	METAL, CHIP 2.2K 0.5% 1/10W (2125)

-----  
 \*5: Board No. suffix 13 or higher

(APR-1 BOARD suffix 11 through 14)

Ref. No. or Q'ty	Part No.	SP	Description
R632	*5 1-208-785-11	s	METAL, CHIP 1.3K 0.5% 1/10W
	*4 1-216-631-11	s	METAL, CHIP 150 0.5% 1/10W (2125)
R633	1-208-801-11	s	METAL, CHIP 6.2K 0.5% 1/10W
R634	*5 1-208-785-11	s	METAL, CHIP 1.3K 0.5% 1/10W
	*4 1-216-631-11	s	METAL, CHIP 150 0.5% 1/10W
R640	1-216-121-00	s	METAL, CHIP 1.0M 5% 1/10W (2125)
R641	1-216-121-00	s	METAL, CHIP 1.0M 5% 1/10W (2125)
R700-704	1-216-073-00	s	METAL, CHIP 10K 5% 1/10W (2125)
R705	1-216-121-00	s	METAL, CHIP 1.0M 5% 1/10W (2125)
R706	1-216-121-00	s	METAL, CHIP 1.0M 5% 1/10W (2125)
R707	*5 1-216-659-11	s	METAL, CHIP 2.2K 0.5% 1/10W
	*4 1-216-065-00	s	METAL, CHIP 4.7K 5% 1/10W (2125)
R708	*5 1-216-659-11	s	METAL, CHIP 2.2K 0.5% 1/10W
	*4 1-216-065-00	s	METAL, CHIP 4.7K 5% 1/10W (2125)
R709	1-216-638-11	s	METAL, CHIP 300 0.5% 1/10W (2125)
R710	1-216-638-11	s	METAL, CHIP 300 0.5% 1/10W (2125)
R711	1-216-676-11	s	METAL, CHIP 11K 0.5% 1/10W (2125)
R712	1-216-676-11	s	METAL, CHIP 11K 0.5% 1/10W (2125)
R713	1-208-814-11	s	METAL, CHIP 22K 0.5% 1/10W
R714	1-208-814-11	s	METAL, CHIP 22K 0.5% 1/10W (2125)
R715-718	1-216-655-11	s	METAL, CHIP 1.5K 0.5% 1/10W
R719-722	1-216-679-11	s	METAL, CHIP 15K 0.5% 1/10W (2125)
R723	1-216-651-11	s	METAL, CHIP 1.0K 0.5% 1/10W
R724	1-216-651-11	s	METAL, CHIP 1.0K 0.5% 1/10W
R725	1-216-095-00	s	METAL, CHIP 82K 5% 1/10W (2125)
R726	1-216-095-00	s	METAL, CHIP 82K 5% 1/10W (2125)
R727	1-216-659-11	s	METAL, CHIP 2.2K 0.5% 1/10W
R728	1-216-659-11	s	METAL, CHIP 2.2K 0.5% 1/10W
R731	1-216-295-00	s	METAL, CHIP 0 (2125)
R732	1-216-295-00	s	METAL, CHIP 0 (2125)
R733	1-216-081-00	s	METAL, CHIP 22K 5% 1/10W (2125)
R734	1-216-081-00	s	METAL, CHIP 22K 5% 1/10W (2125)
R735	1-216-049-00	s	METAL, CHIP 1.0K 5% 1/10W (2125)
R736	1-216-063-00	s	METAL, CHIP 3.9K 5% 1/10W (2125)
R737	1-216-049-00	s	METAL, CHIP 1.0K 5% 1/10W (2125)
R738	1-216-063-00	s	METAL, CHIP 3.9K 5% 1/10W (2125)
R739-744	1-216-073-00	s	METAL, CHIP 10K 5% 1/10W (2125)
R745	1-216-679-11	s	METAL, CHIP 15K 0.5% 1/10W (2125)
R746	1-216-679-11	s	METAL, CHIP 15K 0.5% 1/10W
R747	1-216-682-11	s	METAL, CHIP 20K 0.5% 1/10W (2125)
R748	1-216-677-11	s	METAL, CHIP 12K 0.5% 1/10W
R749	1-216-673-11	s	METAL, CHIP 8.2K 0.5% 1/10W
R750	1-216-682-11	s	METAL, CHIP 20K 0.5% 1/10W (2125)
R751	1-216-677-11	s	METAL, CHIP 12K 0.5% 1/10W (2125)
R752	1-216-673-11	s	METAL, CHIP 8.2K 0.5% 1/10W
R753	1-216-652-11	s	METAL, CHIP 1.1K 0.5% 1/10W
R754	1-216-652-11	s	METAL, CHIP 1.1K 0.5% 1/10W
R755	1-216-641-11	s	METAL, CHIP 390 0.5% 1/10W (2125)
R756	1-216-646-11	s	METAL, CHIP 620 0.5% 1/10W (2125)
R757	1-216-648-11	s	METAL, CHIP 750 0.5% 1/10W
R758	1-216-631-11	s	METAL, CHIP 150 0.5% 1/10W (2125)
R759	1-216-641-11	s	METAL, CHIP 390 0.5% 1/10W (2125)
R760	1-216-646-11	s	METAL, CHIP 620 0.5% 1/10W
R761	1-216-648-11	s	METAL, CHIP 750 0.5% 1/10W (2125)

\*4: Board No. suffix 11 or 12

(APR-1 BOARD suffix 11 through 14)

Ref. No. or Q'ty	Part No.	SP	Description
R762	1-216-631-11	s	METAL, CHIP 150 0.5% 1/10W (2125)
R763-766	1-218-367-11	s	METAL, CHIP 10K 0.1% 1/16W (2125)
R767-774	1-211-998-11	s	METAL, CHIP 4.7K 0.1% 1/16W (2125)
R775-778	1-218-367-11	s	METAL, CHIP 10K 0.1% 1/16W (2125)
R779	1-216-651-11	s	METAL, CHIP 1.0K 0.5% 1/10W (2125)
R780	1-218-367-11	s	METAL, CHIP 10K 0.1% 1/16W (2125)
R781	1-216-097-00	s	METAL, CHIP 100K 5% 1/10W (2125)
R782	1-218-367-11	s	METAL, CHIP 10K 0.1% 1/16W (2125)
R783	1-216-651-11	s	METAL, CHIP 1.0K 0.5% 1/10W (2125)
R784	1-216-097-00	s	METAL, CHIP 100K 5% 1/10W (2125)
R785	1-216-651-11	s	METAL, CHIP 1.0K 0.5% 1/10W (2125)
R786	1-218-367-11	s	METAL, CHIP 10K 0.1% 1/16W (2125)
R787	1-216-097-00	s	METAL, CHIP 100K 5% 1/10W (2125)
R788	1-218-367-11	s	METAL, CHIP 10K 0.1% 1/16W (2125)
R789	1-216-651-11	s	METAL, CHIP 1.0K 0.5% 1/10W (2125)
R790	1-216-097-00	s	METAL, CHIP 100K 5% 1/10W (2125)
R791-794	1-216-619-11	s	METAL, CHIP 47 0.5% 1/10W (2125)
R795-798	1-216-699-11	s	METAL, CHIP 100K 0.5% 1/10W (2125)
R799	1-219-493-11	s	METAL, CHIP 22 0.5% 1/4W (3225)
R800	1-219-493-11	s	METAL, CHIP 22 0.5% 1/4W (3225)
R801	1-216-073-00	s	METAL, CHIP 10K 5% 1/10W (2125)
R802	1-216-073-00	s	METAL, CHIP 10K 5% 1/10W (2125)
R803	1-219-493-11	s	METAL, CHIP 22 0.5% 1/4W (3225)
R804	1-219-493-11	s	METAL, CHIP 22 0.5% 1/4W (3225)
R805	1-216-073-00	s	METAL, CHIP 10K 5% 1/10W (2125)
R806	1-216-073-00	s	METAL, CHIP 10K 5% 1/10W (2125)
R807	1-219-493-11	s	METAL, CHIP 22 0.5% 1/4W (3225)
R808	1-219-493-11	s	METAL, CHIP 22 0.5% 1/4W (3225)
R809	1-216-073-00	s	METAL, CHIP 10K 5% 1/10W (2125)
R810	1-216-073-00	s	METAL, CHIP 10K 5% 1/10W (2125)
R811	1-219-493-11	s	METAL, CHIP 22 0.5% 1/4W (3225)
R812	1-219-493-11	s	METAL, CHIP 22 0.5% 1/4W (3225)
R813	1-216-073-00	s	METAL, CHIP 10K 5% 1/10W (2125)
R814	1-216-073-00	s	METAL, CHIP 10K 5% 1/10W (2125)
R815	1-216-037-00	s	METAL, CHIP 330 5% 1/10W (2125)
R816	1-216-037-00	s	METAL, CHIP 330 5% 1/10W (2125)
R817	1-216-073-00	s	METAL, CHIP 10K 5% 1/10W (2125)
R818	1-216-073-00	s	METAL, CHIP 10K 5% 1/10W (2125)
R819	1-216-295-00	s	METAL, CHIP 0 (2125)
R820-823	1-216-017-00	s	METAL, CHIP 47 5% 1/10W (2125)
R824	*5 1-216-295-00	s	METAL, CHIP 0 (2125)
	*4 1-216-017-00	s	METAL, CHIP 47 5% 1/10W (2125)
R825	1-216-295-00	s	METAL, CHIP 0 (2125)
R826	1-216-690-11	s	METAL, CHIP 43K 0.5% 1/10W (2125)
R827	*5 1-208-811-11	s	METAL, CHIP 16K 0.5% 1/10W (2125)
	*4 1-216-659-11	s	METAL, CHIP 2.2K 0.5% 1/10W (2125)
R828	1-208-801-11	s	METAL, CHIP 6.2K 0.5% 1/10W (2125)
R829	1-216-295-00	s	METAL, CHIP 0 (2125)
R830	1-216-690-11	s	METAL, CHIP 43K 0.5% 1/10W (2125)
R831	*5 1-208-811-11	s	METAL, CHIP 16K 0.5% 1/10W (2125)
	*4 1-216-659-11	s	METAL, CHIP 2.2K 0.5% 1/10W (2125)
R832	*5 1-208-785-11	s	METAL, CHIP 1.3K 0.5% 1/10W (2125)
	*4 1-216-631-11	s	METAL, CHIP 150 0.5% 1/10W (2125)
R833	1-208-801-11	s	METAL, CHIP 6.2K 0.5% 1/10W (2125)
R834	*5 1-208-785-11	s	METAL, CHIP 1.3K 0.5% 1/10W (2125)
	*4 1-216-631-11	s	METAL, CHIP 150 0.5% 1/10W (2125)

\*5: Board No. suffix 13 or higher

(APR-1 BOARD suffix 11 through 14)

Ref. No. or Q'ty	Part No.	SP	Description
R840	1-216-121-00	s	METAL, CHIP 1.0M 5% 1/10W (2125)
R841	1-216-121-00	s	METAL, CHIP 1.0M 5% 1/10W (2125)
R900	1-216-073-00	s	METAL, CHIP 10K 5% 1/10W (2125)
R901	*3 1-216-295-00	s	METAL, CHIP 0 (2125)
	*1 1-216-025-00	s	METAL, CHIP 100 5% 1/10W (2125)
R902	*3 1-216-295-00	s	METAL, CHIP 0 (2125)
	*1 1-216-025-00	s	METAL, CHIP 100 5% 1/10W (2125)
R903	1-216-655-11	s	METAL, CHIP 1.5K 0.5% 1/10W
R904	1-216-073-00	s	METAL, CHIP 10K 5% 1/10W (2125)
R905	1-208-775-11	s	METAL, CHIP 510 0.5% 1/10W
R906	1-216-073-00	s	METAL, CHIP 10K 5% 1/10W (2125)
R907	1-216-073-00	s	METAL, CHIP 10K 5% 1/10W (2125)
R908	1-216-073-00	s	METAL, CHIP 10K 5% 1/10W (2125)
R909	1-216-121-00	s	METAL, CHIP 1.0M 5% 1/10W (2125)
R910	1-216-121-00	s	METAL, CHIP 1.0M 5% 1/10W (2125)
R911	1-216-065-00	s	METAL, CHIP 4.7K 5% 1/10W (2125)
R912	1-216-065-00	s	METAL, CHIP 4.7K 5% 1/10W (2125)
R913	1-216-638-11	s	METAL, CHIP 300 0.5% 1/10W (2125)
R914	1-216-638-11	s	METAL, CHIP 300 0.5% 1/10W (2125)
R915	1-216-017-00	s	METAL, CHIP 47 5% 1/10W (2125)
R916	1-216-017-00	s	METAL, CHIP 47 5% 1/10W (2125)
R917	1-216-676-11	s	METAL, CHIP 11K 0.5% 1/10W (2125)
R918	1-216-676-11	s	METAL, CHIP 11K 0.5% 1/10W (2125)
R919	1-208-814-11	s	METAL, CHIP 22K 0.5% 1/10W (2125)
R920	1-208-814-11	s	METAL, CHIP 22K 0.5% 1/10W
R921	1-216-655-11	s	METAL, CHIP 1.5K 0.5% 1/10W
R922	1-216-655-11	s	METAL, CHIP 1.5K 0.5% 1/10W
R923	1-216-017-00	s	METAL, CHIP 47 5% 1/10W (2125)
R924	1-216-655-11	s	METAL, CHIP 1.5K 0.5% 1/10W
R925	1-216-655-11	s	METAL, CHIP 1.5K 0.5% 1/10W
R926	1-216-017-00	s	METAL, CHIP 47 5% 1/10W (2125)
R927-930	1-216-679-11	s	METAL, CHIP 15K 0.5% 1/10W (2125)
R931	1-216-651-11	s	METAL, CHIP 1.0K 0.5% 1/10W
R932	1-216-651-11	s	METAL, CHIP 1.0K 0.5% 1/10W
R933	1-216-095-00	s	METAL, CHIP 82K 5% 1/10W (2125)
R934	1-216-095-00	s	METAL, CHIP 82K 5% 1/10W (2125)
R935	1-216-659-11	s	METAL, CHIP 2.2K 0.5% 1/10W
R936	1-216-659-11	s	METAL, CHIP 2.2K 0.5% 1/10W
R937	1-216-081-00	s	METAL, CHIP 22K 5% 1/10W (2125)
R938	1-216-081-00	s	METAL, CHIP 22K 5% 1/10W (2125)
R939	1-216-295-00	s	METAL, CHIP 0 (2125)
R940	1-216-295-00	s	METAL, CHIP 0 (2125)
R941	1-216-081-00	s	METAL, CHIP 22K 5% 1/10W (2125)
R942	1-216-081-00	s	METAL, CHIP 22K 5% 1/10W (2125)
R943	1-216-049-00	s	METAL, CHIP 1.0K 5% 1/10W (2125)
R944	1-216-063-00	s	METAL, CHIP 3.9K 5% 1/10W (2125)
R945	1-216-049-00	s	METAL, CHIP 1.0K 5% 1/10W (2125)
R946	1-216-063-00	s	METAL, CHIP 3.9K 5% 1/10W (2125)
R947-956	1-216-073-00	s	METAL, CHIP 10K 5% 1/10W (2125)
R957	1-216-121-00	s	METAL, CHIP 1.0M 5% 1/10W (2125)
R958	1-216-121-00	s	METAL, CHIP 1.0M 5% 1/10W (2125)
R959-962	1-216-073-00	s	METAL, CHIP 10K 5% 1/10W (2125)
R963	1-216-679-11	s	METAL, CHIP 15K 0.5% 1/10W (2125)
R964	1-216-679-11	s	METAL, CHIP 15K 0.5% 1/10W (2125)
R965	1-216-682-11	s	METAL, CHIP 20K 0.5% 1/10W
R966	1-216-677-11	s	METAL, CHIP 12K 0.5% 1/10W (2125)

(APR-1 BOARD suffix 11 through 14)

Ref. No. or Q'ty	Part No.	SP	Description
R967	1-216-673-11	s	METAL, CHIP 8.2K 0.5% 1/10W (2125)
R968	1-216-682-11	s	METAL, CHIP 20K 0.5% 1/10W (2125)
R969	1-216-677-11	s	METAL, CHIP 12K 0.5% 1/10W (2125)
R970	1-216-673-11	s	METAL, CHIP 8.2K 0.5% 1/10W (2125)
R971	1-216-652-11	s	METAL, CHIP 1.1K 0.5% 1/10W (2125)
R972	1-216-652-11	s	METAL, CHIP 1.1K 0.5% 1/10W (2125)
R973	1-216-641-11	s	METAL, CHIP 390 0.5% 1/10W (2125)
R974	1-216-646-11	s	METAL, CHIP 620 0.5% 1/10W (2125)
R975	1-216-648-11	s	METAL, CHIP 750 0.5% 1/10W (2125)
R976	1-216-631-11	s	METAL, CHIP 150 0.5% 1/10W (2125)
R977	1-216-641-11	s	METAL, CHIP 390 0.5% 1/10W (2125)
R978	1-216-646-11	s	METAL, CHIP 620 0.5% 1/10W (2125)
R979	1-216-648-11	s	METAL, CHIP 750 0.5% 1/10W (2125)
R980	1-216-631-11	s	METAL, CHIP 150 0.5% 1/10W (2125)
R981-984	1-218-367-11	s	METAL, CHIP 10K 0.1% 1/16W (2125)
R985-992	1-211-998-11	s	METAL, CHIP 4.7K 0.1% 1/16W (2125)
R993-996	1-218-367-11	s	METAL, CHIP 10K 0.1% 1/16W (2125)
R997	1-216-651-11	s	METAL, CHIP 1.0K 0.5% 1/10W (2125)
R998	1-218-367-11	s	METAL, CHIP 10K 0.1% 1/16W (2125)
R999	1-216-097-00	s	METAL, CHIP 100K 5% 1/10W (2125)
R1000	1-218-367-11	s	METAL, CHIP 10K 0.1% 1/16W (2125)
R1001	1-216-651-11	s	METAL, CHIP 1.0K 0.5% 1/10W (2125)
R1002	1-216-097-00	s	METAL, CHIP 100K 5% 1/10W (2125)
R1003	1-216-651-11	s	METAL, CHIP 1.0K 0.5% 1/10W (2125)
R1004	1-218-367-11	s	METAL, CHIP 10K 0.1% 1/16W (2125)
R1005	1-216-097-00	s	METAL, CHIP 100K 5% 1/10W (2125)
R1006	1-218-367-11	s	METAL, CHIP 10K 0.1% 1/16W (2125)
R1007	1-216-651-11	s	METAL, CHIP 1.0K 0.5% 1/10W (2125)
R1008	1-216-097-00	s	METAL, CHIP 100K 5% 1/10W (2125)
R1009	1-216-619-11	s	METAL, CHIP 47 0.5% 1/10W (2125)
R1010	1-216-619-11	s	METAL, CHIP 47 0.5% 1/10W (2125)
R1011	1-216-619-11	s	METAL, CHIP 47 0.5% 1/10W (2125)
R1012	1-216-619-11	s	METAL, CHIP 47 0.5% 1/10W (2125)
R1013	1-216-699-11	s	METAL, CHIP 100K 0.5% 1/10W (2125)
R1014	1-216-699-11	s	METAL, CHIP 100K 0.5% 1/10W (2125)
R1015	1-216-699-11	s	METAL, CHIP 100K 0.5% 1/10W (2125)
R1016	1-216-699-11	s	METAL, CHIP 100K 0.5% 1/10W (2125)
R1017	1-219-493-11	s	METAL, CHIP 22 0.5% 1/4W (3225)
R1018	1-219-493-11	s	METAL, CHIP 22 0.5% 1/4W (3225)
R1019	1-216-073-00	s	METAL, CHIP 10K 5% 1/10W (2125)
R1020	1-216-073-00	s	METAL, CHIP 10K 5% 1/10W (2125)
R1021	1-219-493-11	s	METAL, CHIP 22 0.5% 1/4W (3225)
R1022	1-219-493-11	s	METAL, CHIP 22 0.5% 1/4W (3225)
R1023	1-216-073-00	s	METAL, CHIP 10K 5% 1/10W (2125)
R1024	1-219-493-11	s	METAL, CHIP 22 0.5% 1/4W (3225)
R1025	1-219-493-11	s	METAL, CHIP 22 0.5% 1/4W (3225)
R1026	1-216-073-00	s	METAL, CHIP 10K 5% 1/10W (2125)
R1027	1-216-073-00	s	METAL, CHIP 10K 5% 1/10W (2125)
R1028	1-219-493-11	s	METAL, CHIP 22 0.5% 1/4W (3225)
R1029	1-219-493-11	s	METAL, CHIP 22 0.5% 1/4W (3225)
R1030	1-216-073-00	s	METAL, CHIP 10K 5% 1/10W (2125)
R1031	1-216-073-00	s	METAL, CHIP 10K 5% 1/10W (2125)
R1032	1-216-073-00	s	METAL, CHIP 10K 5% 1/10W (2125)
R1033	1-216-037-00	s	METAL, CHIP 330 5% 1/10W (2125)
R1034	1-216-037-00	s	METAL, CHIP 330 5% 1/10W (2125)
R1035	1-216-073-00	s	METAL, CHIP 10K 5% 1/10W (2125)

-----  
 \*1: Board No. suffix 11 only  
 \*3: Board No. suffix 12 or higher

(APR-1 BOARD suffix 11 through 14)

Ref. No. or Q'ty	Part No.	SP	Description
R1036	1-216-073-00	s	METAL, CHIP 10K 5% 1/10W (2125)
R1037 *8	1-208-799-11	s	METAL, CHIP 5.1K 0.5% 1/10W
R1038	1-216-295-00	s	METAL, CHIP 0 (2125)
R1039	1-216-295-00	s	METAL, CHIP 0 (2125)
R1040	1-216-121-00	s	METAL, CHIP 1.0M 5% 1/10W (2125)
R1041	1-216-121-00	s	METAL, CHIP 1.0M 5% 1/10W (2125)
R1042	1-216-295-00	s	METAL, CHIP 0 (2125)
R1043 *8	1-216-079-00	s	METAL, CHIP 18K 5% 1/10W (2125)
R1044 *8	1-216-079-00	s	METAL, CHIP 18K 5% 1/10W (2125)
R1045 *8	1-216-105-00	s	METAL, CHIP 220K 5% 1/10W (2125)
R1046 *8	1-208-799-11	s	METAL, CHIP 5.1K 0.5% 1/10W
R1047	1-216-017-00	s	METAL, CHIP 47 5% 1/10W (2125)
R1048	1-216-690-11	s	METAL, CHIP 43K 0.5% 1/10W (2125)
R1049 *5	1-208-811-11	s	METAL, CHIP 16K 0.5% 1/10W (2125)
	*4 1-216-659-11	s	METAL, CHIP 2.2K 0.5% 1/10W
R1050	1-208-801-11	s	METAL, CHIP 6.2K 0.5% 1/10W
R1051	1-216-690-11	s	METAL, CHIP 43K 0.5% 1/10W (2125)
R1052 *5	1-208-811-11	s	METAL, CHIP 16K 0.5% 1/10W (2125)
	*4 1-216-659-11	s	METAL, CHIP 2.2K 0.5% 1/10W
R1053 *5	1-208-785-11	s	METAL, CHIP 1.3K 0.5% 1/10W
	*4 1-216-631-11	s	METAL, CHIP 150 0.5% 1/10W (2125)
R1054 *3	1-216-073-00	s	METAL, CHIP 10K 5% 1/10W (2125)
	*1 1-216-295-00	s	METAL, CHIP 0 (2125)
R1055 *3	1-216-073-00	s	METAL, CHIP 10K 5% 1/10W (2125)
	*1 1-216-057-00	s	METAL, CHIP 2.2K 5% 1/10W (2125)
R1056 *3	1-216-676-11	s	METAL, CHIP 11K 0.5% 1/10W (2125)
	*1 1-216-073-00	s	METAL, CHIP 10K 5% 1/10W (2125)
R1057 *3	1-216-053-00	s	METAL, CHIP 1.5K 5% 1/10W (2125)
	*1 1-216-057-00	s	METAL, CHIP 2.2K 5% 1/10W (2125)
R1058 *3	1-216-073-00	s	METAL, CHIP 10K 5% 1/10W (2125)
	*1 1-216-295-00	s	METAL, CHIP 0 (2125)
R1059 *3	1-216-073-00	s	METAL, CHIP 10K 5% 1/10W (2125)
	*1 1-216-057-00	s	METAL, CHIP 2.2K 5% 1/10W (2125)
R1060 *3	1-216-053-00	s	METAL, CHIP 1.5K 5% 1/10W (2125)
	*1 1-216-057-00	s	METAL, CHIP 2.2K 5% 1/10W (2125)
R1061 *3	1-216-676-11	s	METAL, CHIP 11K 0.5% 1/10W
	*1 1-216-073-00	s	METAL, CHIP 10K 5% 1/10W (2125)
R1062	1-216-295-00	s	METAL, CHIP 0 (2125)
R1063	1-216-295-00	s	METAL, CHIP 0 (2125)
R1064	1-208-801-11	s	METAL, CHIP 6.2K 0.5% 1/10W
R1065 *5	1-208-785-11	s	METAL, CHIP 1.3K 0.5% 1/10W
	*4 1-216-631-11	s	METAL, CHIP 150 0.5% 1/10W (2125)
R1072 *3	1-216-687-11	s	METAL, CHIP 33K 0.5% 1/10W (2125)
R1073 *3	1-216-687-11	s	METAL, CHIP 33K 0.5% 1/10W (2125)
R1074 *3	1-216-073-00	s	METAL, CHIP 10K 5% 1/10W (2125)
R1075 *3	1-216-073-00	s	METAL, CHIP 10K 5% 1/10W (2125)
R1076 *3	1-216-651-11	s	METAL, CHIP 1.0K 0.5% 1/10W
R1077 *3	1-216-651-11	s	METAL, CHIP 1.0K 0.5% 1/10W
R1078 *3	1-216-675-11	s	METAL, CHIP 10K 0.5% 1/10W (2125)
R1079 *3	1-216-675-11	s	METAL, CHIP 10K 0.5% 1/10W (2125)
R1100 *8	1-216-676-11	s	METAL, CHIP 11K 0.5% 1/10W
R1101 *8	1-208-811-11	s	METAL, CHIP 16K 0.5% 1/10W (2125)

-----  
 \*1: Board No. suffix 11 only  
 \*3: Board No. suffix 12 or higher  
 \*4: Board No. suffix 11 or 12

(APR-1 BOARD suffix 11 through 14)

Ref. No. or Q'ty	Part No.	SP	Description
R1102 *8	1-216-661-11	s	METAL, CHIP 2.7K 0.5% 1/10W (2125)
R1103 *8	1-208-814-11	s	METAL, CHIP 22K 0.5% 1/10W (2125)
R1104 *8	1-216-025-00	s	METAL, CHIP 100 5% 1/10W (2125)
R1105 *8	1-216-073-00	s	METAL, CHIP 10K 5% 1/10W (2125)
R1106 *8	1-216-063-00	s	METAL, CHIP 3.9K 5% 1/10W (2125)
R1107 *8	1-216-071-00	s	METAL, CHIP 8.2K 5% 1/10W (2125)
R1108 *8	1-216-081-00	s	METAL, CHIP 22K 5% 1/10W (2125)
R1109 *8	1-216-073-00	s	METAL, CHIP 10K 5% 1/10W (2125)
R1110 *8	1-216-095-00	s	METAL, CHIP 82K 5% 1/10W (2125)
R1111 *8	1-216-049-00	s	METAL, CHIP 1.0K 5% 1/10W (2125)
R1112 *8	1-216-065-00	s	METAL, CHIP 4.7K 5% 1/10W (2125)
R1113 *8	1-216-081-00	s	METAL, CHIP 22K 5% 1/10W (2125)
R1114 *8	1-216-073-00	s	METAL, CHIP 10K 5% 1/10W (2125)
R1115 *8	1-216-095-00	s	METAL, CHIP 82K 5% 1/10W (2125)
R1116 *8	1-216-073-00	s	METAL, CHIP 10K 5% 1/10W (2125)
R1117 *8	1-216-073-00	s	METAL, CHIP 10K 5% 1/10W (2125)
R1118 *8	1-216-684-11	s	METAL, CHIP 24K 0.5% 1/10W (2125)
R1119 *8	1-216-097-00	s	METAL, CHIP 100K 5% 1/10W (2125)
R1120 *8	1-216-105-00	s	METAL, CHIP 220K 5% 1/10W (2125)
R1121 *8	1-216-061-00	s	METAL, CHIP 3.3K 5% 1/10W (2125)
R1122 *8	1-216-073-00	s	METAL, CHIP 10K 5% 1/10W (2125)
R1123 *8	1-216-077-00	s	METAL, CHIP 15K 5% 1/10W (2125)
R1124 *8	1-216-105-00	s	METAL, CHIP 220K 5% 1/10W (2125)
R1125 *8	1-216-065-00	s	METAL, CHIP 4.7K 5% 1/10W (2125)
R1126 *8	1-216-105-00	s	METAL, CHIP 220K 5% 1/10W (2125)
R1127 *8	1-216-051-00	s	METAL, CHIP 1.2K 5% 1/10W (2125)
R1128 *8	1-216-051-00	s	METAL, CHIP 1.2K 5% 1/10W (2125)
R1129 *8	1-216-051-00	s	METAL, CHIP 1.2K 5% 1/10W (2125)
R1130 *8	1-216-051-00	s	METAL, CHIP 1.2K 5% 1/10W (2125)
R1131 *8	1-208-799-11	s	METAL, CHIP 5.1K 0.5% 1/10W (2125)
R1132 *8	1-208-799-11	s	METAL, CHIP 5.1K 0.5% 1/10W (2125)
R1133 *8	1-208-799-11	s	METAL, CHIP 5.1K 0.5% 1/10W (2125)
R1134 *8	1-208-799-11	s	METAL, CHIP 5.1K 0.5% 1/10W (2125)
R1200-1215			
	1-216-009-00	s	METAL, CHIP 22 5% 1/10W (2125)
R1300	1-216-033-00	s	METAL, CHIP 220 5% 1/10W (2125)
R1301	1-216-033-00	s	METAL, CHIP 220 5% 1/10W (2125)
R1302	1-216-073-00	s	METAL, CHIP 10K 5% 1/10W (2125)
R1303	1-216-073-00	s	METAL, CHIP 10K 5% 1/10W (2125)
R1304	1-216-073-00	s	METAL, CHIP 10K 5% 1/10W (2125)
R1305	1-216-073-00	s	METAL, CHIP 10K 5% 1/10W (2125)
R1306	1-216-033-00	s	METAL, CHIP 220 5% 1/10W (2125)
R1307	1-216-295-00	s	METAL, CHIP 0 (2125)
R1308	1-216-033-00	s	METAL, CHIP 220 5% 1/10W (2125)
R1309	1-216-295-00	s	METAL, CHIP 0 (2125)
R1310	1-216-033-00	s	METAL, CHIP 220 5% 1/10W (2125)
R1311	1-216-033-00	s	METAL, CHIP 220 5% 1/10W (2125)
R1312	1-216-033-00	s	METAL, CHIP 220 5% 1/10W (2125)
R1313	1-216-033-00	s	METAL, CHIP 220 5% 1/10W (2125)
R1314	1-216-033-00	s	METAL, CHIP 220 5% 1/10W (2125)
R1315	1-216-073-00	s	METAL, CHIP 10K 5% 1/10W (2125)
R1316	1-216-073-00	s	METAL, CHIP 10K 5% 1/10W (2125)
R1317	1-216-033-00	s	METAL, CHIP 220 5% 1/10W (2125)
R1318	1-216-295-00	s	METAL, CHIP 0 (2125)
R1319	1-216-033-00	s	METAL, CHIP 220 5% 1/10W (2125)
R1320	1-216-033-00	s	METAL, CHIP 220 5% 1/10W (2125)

-----  
 \*5: Board No. suffix 13 only  
 \*8: LOT No. 302 through 409

(APR-1 BOARD suffix 11 through 14)

Ref. No. or Q'ty	Part No.	SP Description
R1321	1-216-017-00	s METAL, CHIP 47 5% 1/10W (212)
R1322	1-216-017-00	s METAL, CHIP 47 5% 1/10W (2125)
R1323	1-216-017-00	s METAL, CHIP 47 5% 1/10W (2125)
R1324	1-216-073-00	s METAL, CHIP 10K 5% 1/10W (2125)
R1325	1-216-073-00	s METAL, CHIP 10K 5% 1/10W (2125)
R1327	1-216-295-00	s METAL, CHIP 0 (2125)
R1329	1-216-073-00	s METAL, CHIP 10K 5% 1/10W (2125)
R1333 *1	1-216-073-00	s METAL, CHIP 10K 5% 1/10W (2125)
R1338	1-216-295-00	s METAL, CHIP 0 (2125)
R1345	1-216-295-00	s METAL, CHIP 0 (2125)
R1352	1-216-295-00	s METAL, CHIP 0 (2125)
R1402	1-216-295-00	s METAL, CHIP 0 (2125)
R1404-1411	1-216-073-00	s METAL, CHIP 10K 5% 1/10W (2125)
R1412	1-216-295-00	s METAL, CHIP 0 (2125)
R1414	1-216-295-00	s METAL, CHIP 0 (2125)
R1416	1-216-073-00	s METAL, CHIP 10K 5% 1/10W (2125)
R1417	1-216-073-00	s METAL, CHIP 10K 5% 1/10W (2125)
R1418	1-216-073-00	s METAL, CHIP 10K 5% 1/10W (2125)
R1419	1-216-295-00	s METAL, CHIP 0 (2125)
R2001 *9	1-249-429-11	s CARBON 10K 5% 1/4W
RB51	1-239-308-11	s RESISTOR BLOCK, CHIP 47Kx8
RB53	1-239-306-11	s RESISTOR BLOCK, CHIP 10Kx8
RB54	1-239-306-11	s RESISTOR BLOCK, CHIP 10Kx8
RB55	1-239-306-11	s RESISTOR BLOCK, CHIP 10Kx8
RV100	1-241-764-11	s RES, ADJ, CERMET 10K
RV101	1-241-782-21	s RES, ADJ, CERMET 1K
RV102	1-241-765-11	s RES, ADJ, CERMET 22K
RV103	1-241-765-11	s RES, ADJ, CERMET 22K
RV200	1-241-764-11	s RES, ADJ, CERMET 10K
RV201	1-241-782-21	s RES, ADJ, CERMET 1K
RV202	1-241-765-11	s RES, ADJ, CERMET 22K
RV203	1-241-765-11	s RES, ADJ, CERMET 22K
RV300	1-241-764-11	s RES, ADJ, CERMET 10K
RV301	1-241-782-21	s RES, ADJ, CERMET 1K
RV302	1-241-765-11	s RES, ADJ, CERMET 22K
RV303	1-241-765-11	s RES, ADJ, CERMET 22K
RV400	1-241-764-11	s RES, ADJ, CERMET 10K
RV401	1-241-782-21	s RES, ADJ, CERMET 1K
RV402	1-241-765-11	s RES, ADJ, CERMET 22K
RV403	1-241-765-11	s RES, ADJ, CERMET 22K
RV500	1-241-764-11	s RES, ADJ, CERMET 10K
RV501	1-241-764-11	s RES, ADJ, CERMET 10K
RV700	1-241-764-11	s RES, ADJ, CERMET 10K
RV701	1-241-764-11	s RES, ADJ, CERMET 10K
RV900 *3	1-241-764-11	s RES, ADJ, CERMET 10K
*1	1-241-762-11	s RES, ADJ, CERMET 2.2K
RV901	1-241-764-11	s RES, ADJ, CERMET 10K
RV902	1-241-764-11	s RES, ADJ, CERMET 10K
RV903 *3	1-241-764-11	s RES, ADJ, CERMET 10K
*1	1-241-762-11	s RES, ADJ, CERMET 2.2K
RY100	1-515-716-11	s RELAY TQ2-5V
RY101	1-515-928-11	s RELAY AHY109
RY200	1-515-716-11	s RELAY TQ2-5V

(APR-1 BOARD suffix 11 through 14)

Ref. No. or Q'ty	Part No.	SP Description
RY201	1-515-928-11	s RELAY AHY109
RY300	1-515-716-11	s RELAY TQ2-5V
RY301	1-515-928-11	s RELAY AHY109
RY400	1-515-716-11	s RELAY TQ2-5V
RY401	1-515-928-11	s RELAY AHY109
RY502	1-515-716-11	s RELAY TQ2-5V
RY503	1-515-716-11	s RELAY TQ2-5V
RY702	1-515-716-11	s RELAY TQ2-5V
RY703	1-515-716-11	s RELAY TQ2-5V
RY900	1-515-928-11	s RELAY AHY109
RY901	1-515-928-11	s RELAY AHY109
RY902	1-515-716-11	s RELAY TQ2-5V
RY903	1-515-716-11	s RELAY TQ2-5V
TH100	1-810-106-11	s THERMISTOR, POSIITIVE, CHIP
TH200	1-810-106-11	s THERMISTOR, POSIITIVE, CHIP
TH300	1-810-106-11	s THERMISTOR, POSIITIVE, CHIP
TH400	1-810-106-11	s THERMISTOR, POSIITIVE, CHIP
X50	1-579-599-21	s RESONATOR, CERAMIC 8.38 MHz
-----		
CCM-15 BOARD for Reel Shift Motor		
-----		
Ref. No. or Q'ty	Part No.	SP Description
1pc	1-648-570-12	s PRINTED CIRCUIT BOARD, CCM-15
CN920	1-506-468-11	s CONNECTOR, 3P, MALE
M002	1-698-152-11	s MOTOR, DC (SVD-1449)
-----		
CCM-15 BOARD for Threading Motor		
-----		
Ref. No. or Q'ty	Part No.	SP Description
1pc	1-648-570-12	s PRINTED CIRCUIT BOARD, CCM-15
CN920	1-506-468-11	s CONNECTOR, 3P, MALE
M002	1-698-152-11	s MOTOR, DC (SVD-1449)

-----

\*1: Board No. suffix 11 only  
 \*3: Board No. suffix 12 or higher  
 \*9: LOT No. 410 through 412

-----  
 CL-29 BOARD  
 -----

Ref. No. or Q'ty	Part No.	SP	Description
1pc	A-8315-621-B	s	MOUNTED CIRCUIT BOARD, CL-29
1pc	3-171-424-01	o	HOLDER, SENSOR
C1	1-137-150-11	s	FILM 0.01uF 5% 100V
CN930	1-564-011-11	o	CONNECTOR, 12P, MALE
CN931	1-564-001-11	o	CONNECTOR, 2P, MALE
CN933	1-573-599-11	s	CONNECTOR, FPC 5P
CN935	1-564-001-11	o	CONNECTOR, 2P, MALE
D1	8-719-938-07	s	LED GL480, INFRARED
D2	8-719-938-07	s	LED GL480, INFRARED
Q1	8-729-903-81	s	PHOTO-TRANSISTOR PT480
Q2	8-729-903-81	s	PHOTO-TRANSISTOR PT480
R1	1-247-825-31	s	CARBON 560 5% 1/4W
R2	1-247-825-31	s	CARBON 560 5% 1/4W

-----  
 CP-218 BOARD  
 -----

Ref. No. or Q'ty	Part No.	SP	Description
1pc	A-8275-083-A	o	MOUNTED CIRCUIT BOARD, CP-218
C1-5	1-126-933-11	s	ELECT 100uF 20% 16V
C6	1-163-037-11	s	CERAMIC, CHIP 0.022uF 10% 25V (2125)
C7	1-163-037-11	s	CERAMIC, CHIP 0.022uF 10% 25V (2125)
C8-10	1-126-933-11	s	ELECT 100uF 20% 16V
C11	1-163-037-11	s	CERAMIC, CHIP 0.022uF 10% 25V (2125)
C12	1-163-037-11	s	CERAMIC, CHIP 0.022uF 10% 25V (2125)
C13	1-126-933-11	s	ELECT 100uF 20% 16V
C14	1-163-037-11	s	CERAMIC, CHIP 0.022uF 10% 25V (2125)
C15	1-163-037-11	s	CERAMIC, CHIP 0.022uF 10% 25V (2125)
C16	1-126-933-11	s	ELECT 100uF 20% 16V
C17	1-163-037-11	s	CERAMIC, CHIP 0.022uF 10% 25V (2125)
C18	1-126-933-11	s	ELECT 100uF 20% 16V
C19	1-163-037-11	s	CERAMIC, CHIP 0.022uF 10% 25V (2125)
C20	*2 1-163-035-00	s	CERAMIC, CHIP 0.047uF 50V (2125)
	*1 1-161-021-11	s	CERAMIC 0.047uF 10% 25V
C21-30	1-163-037-11	s	CERAMIC, CHIP 0.022uF 10% 25V (2125)
C31-35	1-126-933-11	s	ELECT 100uF 20% 16V
C36	*2 1-163-037-11	s	CERAMIC, CHIP 0.022uF 10% 25V (2125)
	*1 1-161-055-00	s	CERAMIC 0.022uF 10% 50V
C37	*2 1-163-037-11	s	CERAMIC, CHIP 0.022uF 10% 25V (2125)
	*1 1-161-055-00	s	CERAMIC 0.022uF 10% 50V
C38	*2 1-126-933-11	s	ELECT 100uF 20% 16V
C39	*2 1-163-037-11	s	CERAMIC, CHIP 0.022uF 10% 25V (2125)
	*1 1-161-021-11	s	CERAMIC 0.047uF 10% 25V
C41	1-163-037-11	s	CERAMIC, CHIP 0.022uF 10% 25V (2125)
C42	1-163-037-11	s	CERAMIC, CHIP 0.022uF 10% 25V (2125)
C43	1-126-933-11	s	ELECT 100uF 20% 16V
C44	1-163-037-11	s	CERAMIC, CHIP 0.022uF 10% 25V (2125)
C45	1-126-933-11	s	ELECT 100uF 20% 16V
C46	1-163-037-11	s	CERAMIC, CHIP 0.022uF 10% 25V (2125)
C47	1-163-037-11	s	CERAMIC, CHIP 0.022uF 10% 25V (2125)
C48	1-126-933-11	s	ELECT 100uF 20% 16V
C49	1-163-037-11	s	CERAMIC, CHIP 0.022uF 10% 25V (2125)
C50	1-163-037-11	s	CERAMIC, CHIP 0.022uF 10% 25V (2125)
C51	1-126-933-11	s	ELECT 100uF 20% 16V
C52	1-163-037-11	s	CERAMIC, CHIP 0.022uF 10% 25V (2125)
C53	1-126-933-11	s	ELECT 100uF 20% 16V
C54	1-163-037-11	s	CERAMIC, CHIP 0.022uF 10% 25V (2125)
C55	1-126-933-11	s	ELECT 100uF 20% 16V
C56	1-163-037-11	s	CERAMIC, CHIP 0.022uF 10% 25V (2125)
C57	1-126-933-11	s	ELECT 100uF 20% 16V
C58	1-163-037-11	s	CERAMIC, CHIP 0.022uF 10% 25V (2125)
C59	1-126-933-11	s	ELECT 100uF 20% 16V
C60	1-163-037-11	s	CERAMIC, CHIP 0.022uF 10% 25V (2125)
C61	1-126-933-11	s	ELECT 100uF 20% 16V
C62	1-163-037-11	s	CERAMIC, CHIP 0.022uF 10% 25V (2125)
C63	1-126-933-11	s	ELECT 100uF 20% 16V
C64	1-163-037-11	s	CERAMIC, CHIP 0.022uF 10% 25V (2125)
C65	1-126-933-11	s	ELECT 100uF 20% 16V
C66	1-163-037-11	s	CERAMIC, CHIP 0.022uF 10% 25V (2125)
C74	*1 1-161-055-00	s	CERAMIC 0.022uF 10% 50V
CN1	1-573-580-11	s	CONNECTOR, BNC, FEMALE
CN2	1-573-580-11	s	CONNECTOR, BNC, FEMALE

-----  
 \*1: Board No. suffix 11 only  
 \*2: Board No. suffix 12 or higher

## (CP-218 BOARD)

Ref. No. or Q'ty	Part No.	SP	Description
CN3	1-573-584-11	s	CONNECTOR, BNC, FEMALE
CN4	1-573-580-11	s	CONNECTOR, BNC, FEMALE
CN5	1-750-668-11	s	CONNECTOR, 2-BNC, FEMALE
CN6	1-573-584-11	s	CONNECTOR, BNC, FEMALE
CN412	1-506-493-11	s	CONNECTOR, 14P, MALE
CN413	1-506-487-11	s	CONNECTOR, 8P, MALE
CN414	1-506-484-11	s	CONNECTOR, 5P, MALE
CN415	1-506-487-11	s	CONNECTOR, 8P, MALE
IC1	8-759-708-05	s	IC NJM78L05A
IC2	8-759-700-65	s	IC NJM79L05A
IC3	8-759-009-06	s	IC MC14052BF
IC4	8-759-708-05	s	IC NJM78L05A
IC5	8-759-700-65	s	IC NJM79L05A
IC6-15	8-759-052-73	s	IC CXA1451M
IC16	8-759-708-05	s	IC NJM78L05A
L1-4	1-410-482-31	s	INDUCTOR 100uH
L11-17	1-410-482-31	s	INDUCTOR 100uH
Q1	8-729-140-63	s	TRANSISTOR 2SA1611-M5M6
Q6	8-729-117-32	s	TRANSISTOR 2SC4177-L6
R1	1-216-624-11	s	METAL, CHIP 75 0.5% 1/10W (2125)
R2-5 *2	1-211-750-11	s	METAL, CHIP 150 0.1% 1/16W (2125)
*1	1-216-624-11	s	METAL, CHIP 75 0.5% 1/10W (2125)
R6-10	1-216-679-11	s	METAL, CHIP 15K 0.5% 1/10W (2125)
R11-15	1-216-009-00	s	METAL, CHIP 22 5% 1/10W (2125)
R16	1-216-089-00	s	METAL, CHIP 47K 5% 1/10W (2125)
R17	1-216-089-00	s	METAL, CHIP 47K 5% 1/10W (2125)
R18	1-216-017-00	s	METAL, CHIP 47 5% 1/10W (2125)
R19	1-216-017-00	s	METAL, CHIP 47 5% 1/10W (2125)
R20	1-216-045-00	s	METAL, CHIP 680 5% 1/10W (2125)
R21	1-216-017-00	s	METAL, CHIP 47 5% 1/10W (2125)
R28	1-216-045-00	s	METAL, CHIP 680 5% 1/10W (2125)
R29	1-216-009-00	s	METAL, CHIP 22 5% 1/10W (2125)
R30-33	1-216-624-11	s	METAL, CHIP 75 0.5% 1/10W (2125)
R35-39	1-216-639-11	s	METAL, CHIP 330 0.5% 1/10W
R40-45*2	1-211-750-11	s	METAL, CHIP 150 0.1% 1/16W (2125)
*1	1-216-624-11	s	METAL, CHIP 75 0.5% 1/10W (2125)
R46	1-216-077-00	s	METAL, CHIP 15K 5% 1/10W (2125)
R47	1-216-049-00	s	METAL, CHIP 1.0K 5% 1/10W (2125)
R48	1-216-049-00	s	METAL, CHIP 1.0K 5% 1/10W (2125)
R49	1-216-077-00	s	METAL, CHIP 15K 5% 1/10W (2125)
R50-51	1-216-624-11	s	METAL, CHIP 75 0.5% 1/10W (2125)
R53	1-216-017-00	s	METAL, CHIP 47 5% 1/10W (2125)
R54-57	1-216-041-00	s	METAL, CHIP 470 5% 1/10W (2125)
R61-70*2	1-211-750-11	s	METAL, CHIP 150 0.1% 1/16W
S1	1-570-157-51	s	SWITCH, SLIDE
S2	1-570-157-51	s	SWITCH, SLIDE

\*1: Board No. suffix 11 only  
\*2: Board No. suffix 12 or higher

## CP-220 BOARD

Ref. No. or Q'ty	Part No.	SP	Description
1pc	A-8275-082-A	o	MOUNTED CIRCUIT BOARD, CP-220
1pc	3-182-841-02	o	CASE, CP SHIELD
C100,101	1-163-251-11	s	CERAMIC, CHIP 100pF 5% 50V (2125)
C200,201	1-163-251-11	s	CERAMIC, CHIP 100pF 5% 50V (2125)
C300,301	1-163-251-11	s	CERAMIC, CHIP 100pF 5% 50V (2125)
C400,401	1-163-251-11	s	CERAMIC, CHIP 100pF 5% 50V (2125)
C500,501	1-163-251-11	s	CERAMIC, CHIP 100pF 5% 50V (2125)
C600,601	1-163-251-11	s	CERAMIC, CHIP 100pF 5% 50V (2125)
C700,730	1-163-038-00	s	CERAMIC, CHIP 0.1uF 25V (2125)
C800,830	1-163-038-00	s	CERAMIC, CHIP 0.1uF 25V (2125)
CN10	1-816-670-11	s	CONNECTOR, DUAL XLR 3P, FEMALE
CN11	1-816-669-11	s	CONNECTOR, DUAL XLR 3P, MALE
CN30	1-816-670-11	s	CONNECTOR, DUAL XLR 3P, FEMALE
CN31	1-816-669-11	s	CONNECTOR, DUAL XLR 3P, MALE
CN50	1-816-670-11	s	CONNECTOR, DUAL XLR 3P, FEMALE
CN51	1-816-669-11	s	CONNECTOR, DUAL XLR 3P, MALE
CN52,61	1-750-787-11	s	CONNECTOR, XLR 3P, MALE
CN70	1-816-670-11	s	CONNECTOR, DUAL XLR 3P, FEMALE
CN71	1-816-669-11	s	CONNECTOR, DUAL XLR 3P, MALE
CN400	1-506-492-11	o	CONNECTOR, 13P, MALE
CN401	1-506-491-11	s	CONNECTOR, 12P, MALE
CN402	1-506-485-11	s	CONNECTOR, 6P, MALE
CN403	1-506-486-11	s	CONNECTOR, 7P, MALE
CN404	1-564-941-11	o	CONNECTOR, FLAT CABLE 34P, MALE
CN405	1-562-480-11	o	CONNECTOR, 10P, MALE
FB100 *2	1-543-622-11	s	BEAD, FERRITE, CHIP
FB103 *2	1-543-622-11	s	BEAD, FERRITE, CHIP
FB104 *2	1-543-622-11	s	BEAD, FERRITE, CHIP
FB131 *2	1-543-622-11	s	BEAD, FERRITE, CHIP
FB133 *2	1-543-622-11	s	BEAD, FERRITE, CHIP
FB134 *2	1-543-622-11	s	BEAD, FERRITE, CHIP
FB200 *2	1-543-622-11	s	BEAD, FERRITE, CHIP
FB203 *2	1-543-622-11	s	BEAD, FERRITE, CHIP
FB231 *2	1-543-622-11	s	BEAD, FERRITE, CHIP
FB233 *2	1-543-622-11	s	BEAD, FERRITE, CHIP
FB300 *2	1-543-622-11	s	BEAD, FERRITE, CHIP
FB303 *2	1-543-622-11	s	BEAD, FERRITE, CHIP
FB304 *2	1-543-622-11	s	BEAD, FERRITE, CHIP
FB331 *2	1-543-622-11	s	BEAD, FERRITE, CHIP
FB333 *2	1-543-622-11	s	BEAD, FERRITE, CHIP
FB334 *2	1-543-622-11	s	BEAD, FERRITE, CHIP
FB400 *2	1-543-622-11	s	BEAD, FERRITE, CHIP
FB403 *2	1-543-622-11	s	BEAD, FERRITE, CHIP
FB431 *2	1-543-622-11	s	BEAD, FERRITE, CHIP
FB433 *2	1-543-622-11	s	BEAD, FERRITE, CHIP
FB500 *2	1-543-622-11	s	BEAD, FERRITE, CHIP
FB503 *2	1-543-622-11	s	BEAD, FERRITE, CHIP
FB504 *2	1-543-622-11	s	BEAD, FERRITE, CHIP
FB531 *2	1-543-622-11	s	BEAD, FERRITE, CHIP
FB533 *2	1-543-622-11	s	BEAD, FERRITE, CHIP
FB535 *2	1-543-622-11	s	BEAD, FERRITE, CHIP
FB537 *2	1-543-622-11	s	BEAD, FERRITE, CHIP
FB539 *2	1-543-622-11	s	BEAD, FERRITE, CHIP
FB541 *2	1-543-622-11	s	BEAD, FERRITE, CHIP
FB542 *2	1-543-622-11	s	BEAD, FERRITE, CHIP

\*2: Board No. suffix 12 or higher



(CP-220 BOARD)

Ref. No. or Q'ty	Part No.	SP	Description
FB543 *2	1-543-622-11	s	BEAD, FERRITE, CHIP
FB600 *2	1-543-622-11	s	BEAD, FERRITE, CHIP
FB603 *2	1-543-622-11	s	BEAD, FERRITE, CHIP
FB631 *2	1-543-622-11	s	BEAD, FERRITE, CHIP
FB633 *2	1-543-622-11	s	BEAD, FERRITE, CHIP
FB634 *2	1-543-622-11	s	BEAD, FERRITE, CHIP
FB635 *2	1-543-622-11	s	BEAD, FERRITE, CHIP
FB700 *2	1-543-622-11	s	BEAD, FERRITE, CHIP
L100,101	1-410-469-11	s	INDUCTOR 1.0uH
L200,201	1-410-469-11	s	INDUCTOR 1.0uH
L300,301	1-410-469-11	s	INDUCTOR 1.0uH
L400,401	1-410-469-11	s	INDUCTOR 1.0uH
L500,501	1-410-469-11	s	INDUCTOR 1.0uH
L600,601	1-410-469-11	s	INDUCTOR 1.0uH
R100 *1	1-216-295-00	s	METAL, CHIP 0 (2125)
R103 *1	1-216-295-00	s	METAL, CHIP 0 (2125)
R104,105	1-215-423-00	s	METAL 1.2K 1% 1/6W
R106-109	1-216-295-00	s	METAL, CHIP 0 (2125)
R131 *1	1-216-295-00	s	METAL, CHIP 0 (2125)
R133 *1	1-216-295-00	s	METAL, CHIP 0 (2125)
R200 *1	1-216-295-00	s	METAL, CHIP 0 (2125)
R203 *1	1-216-295-00	s	METAL, CHIP 0 (2125)
R204,205	1-215-423-00	s	METAL 1.2K 1% 1/6W
R206-209	1-216-295-00	s	METAL, CHIP 0 (2125)
R231 *1	1-216-295-00	s	METAL, CHIP 0 (2125)
R233 *1	1-216-295-00	s	METAL, CHIP 0 (2125)
R300 *1	1-216-295-00	s	METAL, CHIP 0 (2125)
R303 *1	1-216-295-00	s	METAL, CHIP 0 (2125)
R304,305	1-215-423-00	s	METAL 1.2K 1% 1/6W
R306-309	1-216-295-00	s	METAL, CHIP 0 (2125)
R331 *1	1-216-295-00	s	METAL, CHIP 0 (2125)
R333 *1	1-216-295-00	s	METAL, CHIP 0 (2125)
R400 *1	1-216-295-00	s	METAL, CHIP 0 (2125)
R403 *1	1-216-295-00	s	METAL, CHIP 0 (2125)
R404,405	1-215-423-00	s	METAL 1.2K 1% 1/6W
R406-409	1-216-295-00	s	METAL, CHIP 0 (2125)
R431 *1	1-216-295-00	s	METAL, CHIP 0 (2125)
R433 *1	1-216-295-00	s	METAL, CHIP 0 (2125)
R500 *1	1-216-295-00	s	METAL, CHIP 0 (2125)
R503 *1	1-216-295-00	s	METAL, CHIP 0 (2125)
R504,505	1-215-423-00	s	METAL 1.2K 1% 1/6W
R506-509	1-216-295-00	s	METAL, CHIP 0 (2125)
R531 *1	1-216-295-00	s	METAL, CHIP 0 (2125)
R533 *1	1-216-295-00	s	METAL, CHIP 0 (2125)
R535 *1	1-216-295-00	s	METAL, CHIP 0 (2125)
R537 *1	1-216-295-00	s	METAL, CHIP 0 (2125)
R539 *1	1-216-295-00	s	METAL, CHIP 0 (2125)
R541 *1	1-216-295-00	s	METAL, CHIP 0 (2125)
R600 *1	1-216-295-00	s	METAL, CHIP 0 (2125)
R603 *1	1-216-295-00	s	METAL, CHIP 0 (2125)
R604,605	1-216-295-00	s	METAL, CHIP 0 (2125)
R631 *1	1-216-295-00	s	METAL, CHIP 0 (2125)
R633 *1	1-216-295-00	s	METAL, CHIP 0 (2125)
R704,705	1-218-477-11	s	METAL, CHIP 220 5% 1/4W (3225)
R804,805	1-218-477-11	s	METAL, CHIP 220 5% 1/4W (3225)

-----  
\*1: Board No. suffix 11 only  
\*2: Board No. suffix 12 or higher

(CP-220 BOARD)

Ref. No. or Q'ty	Part No.	SP	Description
S100,200	1-572-042-11	s	SWITCH, SLIDE
S300,400	1-572-042-11	s	SWITCH, SLIDE
S500	1-572-042-11	s	SWITCH, SLIDE
T700,730	1-437-194-21	s	TRANSFORMER, PULSE
T800,830	1-437-194-21	s	TRANSFORMER, PULSE

-----  
 CUE-1 BOARD for DVW-500P  
 -----

(CUE-1 BOARD for DVW-500P)

Ref. No. or Q'ty	Part No.	SP Description
1pc	A-8275-152-A	o MOUNTED CIRCUIT BOARD, CUE-1P (For Europa model)
	A-8310-427-A	o MOUNTED CIRCUIT BOARD, CUE-1PG (For USA and Canada models)
1pc	3-171-455-01	o PLATE (S), SHIELD, CARD
1pc	3-171-456-02	o SHEET (S), CARD
1pc	3-179-084-01	s LEVER (R), PC BOARD
1pc	3-179-085-01	s LEVER (L), PC BOARD
1pc	7-682-902-11	s SCREW +PWH 2.6x5
2pcs	3-182-014-02	o MAIN, CUE SHIELD CASE
C100	*j 1-126-394-11	s ELECT, CHIP 10uF 20% 16V
	*3 1-126-401-11	s ELECT, CHIP 1.0uF 20% 50V
C101	1-126-394-11	s ELECT, CHIP 10uF 20% 16V
C102	*h 1-163-125-00	s CERAMIC, CHIP 220pF 5% 50V
	*3 1-163-235-11	s CERAMIC, CHIP 22pF 5% 50V (2125)
C103	1-135-212-21	s TANTALUM, CHIP 2.2uF 10% 35V
C104	1-163-033-00	s CERAMIC, CHIP 0.022uF 50V (2125)
C105	1-135-159-21	s TANTALUM, CHIP 10uF 20% 20V
C106	1-104-545-11	s FILM, CHIP 0.0033uF 5% 16V
C107	1-104-545-11	s FILM, CHIP 0.0033uF 5% 16V (2125)
C108	*j 1-107-553-11	s FILM, CHIP 0.0056uF 2% 16V (2125)
	*5 1-104-546-11	s FILM, CHIP 0.0039uF 5% 16V (2125)
C109	1-163-235-11	s CERAMIC, CHIP 22pF 5% 50V (2125)
C110	1-104-557-11	s FILM, CHIP 0.033uF 5% 16V (3216)
C111	*h 1-126-394-11	s ELECT, CHIP 10uF 20% 16V
C112	1-163-235-11	s CERAMIC, CHIP 22pF 5% 50V (2125)
C113-115	1-126-394-11	s ELECT, CHIP 10uF 20% 16V
C116	1-163-243-11	s CERAMIC, CHIP 47pF 5% 50V (2125)
C117	1-163-263-11	s CERAMIC, CHIP 330pF 5% 50V (2125)
C118	1-163-239-11	s CERAMIC, CHIP 33pF 5% 50V (2125)
C119	1-136-439-11	s FILM 330pF 5% 630V
C120	1-126-394-11	s ELECT, CHIP 10uF 20% 16V
C122	*h 1-104-957-11	s ELECT 47uF 20% 25V
C123	1-104-957-11	s ELECT 47uF 20% 25V
C124	*h 1-104-957-11	s ELECT 47uF 20% 25V
C125	*h 1-163-033-00	s CERAMIC, CHIP 0.022uF 50V (2125)
C127	1-163-135-00	s CERAMIC, CHIP 560pF 5% 50V (2125)
C128	1-163-033-00	s CERAMIC, CHIP 0.022uF 50V (2125)
C129	1-104-957-11	s ELECT 47uF 20% 25V
C131	1-163-243-11	s CERAMIC, CHIP 47pF 5% 50V (2125)
C133	1-163-243-11	s CERAMIC, CHIP 47pF 5% 50V (2125)
C134	1-126-394-11	s ELECT, CHIP 10uF 20% 16V
C136	1-135-166-21	s TANTALUM, CHIP 47uF 10% 10V
C138	1-104-553-11	s FILM, CHIP 0.015uF 5% 16V (3216)
C140	1-163-125-00	s CERAMIC, CHIP 220pF 5% 50V (2125)
C142	1-126-394-11	s ELECT, CHIP 10uF 20% 16V
C150	1-126-394-11	s ELECT, CHIP 10uF 20% 16V
C152	1-126-394-11	s ELECT, CHIP 10uF 20% 16V
C154	1-126-394-11	s ELECT, CHIP 10uF 20% 16V
C156	1-104-561-11	s FILM, CHIP 0.068uF 5% 16V (3225)
C158	1-163-243-11	s CERAMIC, CHIP 47pF 5% 50V (2125)
C161	1-104-555-11	s FILM, CHIP 0.022uF 5% 16V (3216)
C162	1-104-555-11	s FILM, CHIP 0.022uF 5% 16V (3216)
C163	1-104-556-11	s FILM, CHIP 0.027uF 5% 16V (3216)

Ref. No. or Q'ty	Part No.	SP Description
C164	1-104-556-11	s FILM, CHIP 0.027uF 5% 16V (3216)
C165	1-104-555-11	s FILM, CHIP 0.022uF 5% 16V (3216)
C166	1-104-555-11	s FILM, CHIP 0.022uF 5% 16V (3216)
C167	1-163-235-11	s CERAMIC, CHIP 22pF 5% 50V (2125)
C168	1-124-667-11	s ELECT 10uF 20% 100V
C169	1-124-667-11	s ELECT 10uF 20% 100V
C170	1-163-033-00	s CERAMIC, CHIP 0.022uF 50V (2125)
C171	1-163-033-00	s CERAMIC, CHIP 0.022uF 50V (2125)
C172	*h 1-163-033-00	s CERAMIC, CHIP 0.022uF 50V (2125)
C173	1-104-957-11	s ELECT 47uF 20% 25V
C174	1-104-957-11	s ELECT 47uF 20% 25V
C175-177	1-163-033-00	s CERAMIC, CHIP 0.022uF 50V (2125)
C179	1-136-275-11	s FILM 390pF 5% 630V
C180	1-135-161-21	s TANTALUM, CHIP 22uF 10% 10V
C181	1-126-394-11	s ELECT, CHIP 10uF 20% 16V
C182	1-126-392-11	s ELECT, CHIP 100uF 20% 6.3V
C183	1-163-235-11	s CERAMIC, CHIP 22pF 5% 50V (2125)
C184	1-163-033-00	s CERAMIC, CHIP 0.022uF 50V (2125)
C187	1-104-957-11	s ELECT 47uF 20% 25V
C188	*h 1-163-235-11	s CERAMIC, CHIP 22pF 5% 50V (2125)
C189	1-163-243-11	s CERAMIC, CHIP 47pF 5% 50V (2125)
C190	1-163-033-00	s CERAMIC, CHIP 0.022uF 50V (2125)
C191	1-104-957-11	s ELECT 47uF 20% 25V
C192	1-163-033-00	s CERAMIC, CHIP 0.022uF 50V (2125)
C193	1-104-539-11	s FILM, CHIP 0.001uF 5% 50V (2125)
C194	1-104-543-11	s FILM, CHIP 0.0022uF 5% 50V (2125)
C195-198	1-163-251-11	s CERAMIC, CHIP 100pF 5% 50V (2125)
C200	1-163-251-11	s CERAMIC, CHIP 100pF 5% 50V (2125)
C201	*h 1-126-394-11	s ELECT, CHIP 10uF 20% 16V
C202	*3 1-126-394-11	s ELECT, CHIP 10uF 20% 16V
C203	1-163-251-11	s CERAMIC, CHIP 100pF 5% 50V (2125)
C204	1-163-251-11	s CERAMIC, CHIP 100pF 5% 50V (2125)
C205	1-126-394-11	s ELECT, CHIP 10uF 20% 16V
C340	*6 1-126-395-11	s ELECT, CHIP 22uF 20% 16V
C342	*6 1-163-033-00	s CERAMIC, CHIP 0.022uF 50V (2125)
C343	*6 1-126-395-11	s ELECT, CHIP 22uF 20% 16V
C400	1-124-667-11	s ELECT 10uF 20% 100V
C401	1-124-667-11	s ELECT 10uF 20% 100V
C403	1-163-033-00	s CERAMIC, CHIP 0.022uF 50V (2125)
C404	1-163-033-00	s CERAMIC, CHIP 0.022uF 50V (2125)
C405	1-163-227-11	s CERAMIC, CHIP 10pF 5% 50V (2125)
C406	1-104-957-11	s ELECT 47uF 20% 25V
C407	1-104-957-11	s ELECT 47uF 20% 25V
C408	1-163-033-00	s CERAMIC, CHIP 0.022uF 50V (2125)
C409	1-163-033-00	s CERAMIC, CHIP 0.022uF 50V (2125)
C410	1-126-394-11	s ELECT, CHIP 10uF 20% 16V
C411	1-126-394-11	s ELECT, CHIP 10uF 20% 16V
C412	1-126-392-11	s ELECT, CHIP 100uF 20% 6.3V
C413	1-104-551-11	s FILM, CHIP 0.01uF 5% 16V (2125)
C414	1-163-251-11	s CERAMIC, CHIP 100pF 5% 50V (2125)
C415	1-126-394-11	s ELECT, CHIP 10uF 20% 16V
C416	1-163-137-00	s CERAMIC, CHIP 680pF 5% 50V (2125)
C417	1-164-232-11	s CERAMIC, CHIP 0.01uF 10% 100V (2125)
C418	*m 1-204-760-11	s CERAMIC, CHIP 0.047uF 10% 50V (2125)
	*7 1-164-182-11	s CERAMIC, CHIP 0.033uF 10% 50V (2125)
C419	1-164-232-11	s CERAMIC, CHIP 0.01uF 10% 100V (2125)

-----  
 \*3: Board No. suffix 31 only  
 \*5: Board No. suffix 31 or 32  
 \*6: LOT No. 303 through 410  
 \*7: LOT No. 303 through 502

-----  
 \*h: Board No. suffix 32 or higher  
 \*j: Board No. suffix 33 or higher  
 \*m: LOT No. 503 or higher

## (CUE-1 BOARD for DVW-500P)

Ref. No. or Q'ty	Part No.	SP	Description
C420	1-126-394-11	s	ELECT, CHIP 10uF 20% 16V
C421	1-163-809-11	s	CERAMIC, CHIP 0.047uF 10% 25V
C422	1-163-034-00	s	CERAMIC, CHIP 0.033uF 50V (2125)
C423	1-163-113-00	s	CERAMIC, CHIP 68pF 5% 50V (2125)
C424	1-126-394-11	s	ELECT, CHIP 10uF 20% 16V
C433	1-163-033-00	s	CERAMIC, CHIP 0.022uF 50V (2125)
C501	1-164-489-11	s	CERAMIC, CHIP 0.22uF 10% 16V
C502	1-163-033-00	s	CERAMIC, CHIP 0.022uF 50V (2125)
C506	1-163-033-00	s	CERAMIC, CHIP 0.022uF 50V (2125)
C507	1-164-695-11	s	CERAMIC, CHIP 2200pF 5% 50V
C508	1-164-695-11	s	CERAMIC, CHIP 2200pF 5% 50V
C510	*6 1-126-401-11	s	ELECT, CHIP 1.0uF 20% 50V
C511	1-104-797-11	s	ELECT 0.47uF 20% 100V
C512	1-136-804-11	s	FILM 680pF 5% 630V
C513	1-164-489-11	s	CERAMIC, CHIP 0.22uF 10% 16V
C514	1-164-489-11	s	CERAMIC, CHIP 0.22uF 10% 16V
C516	1-135-092-21	s	TANTALUM, CHIP 3.3uF 10% 16V
C517	1-124-122-11	s	ELECT 100uF 20% 50V
C518	1-124-122-11	s	ELECT 100uF 20% 50V
C519-524	1-163-017-00	s	CERAMIC, CHIP 4700pF 10% 50V
C525	1-164-232-11	s	CERAMIC, CHIP 0.01uF 10% 100V
C526	1-164-182-11	s	CERAMIC, CHIP 0.033uF 10% 50V
C527	1-164-005-11	s	CERAMIC, CHIP 0.47uF 25V (2125)
C530	1-104-797-11	s	ELECT 0.47uF 20% 100V
C531	1-104-797-11	s	ELECT 0.47uF 20% 100V
C532-534	1-136-562-11	s	FILM 0.0082uF 5% 630V
C535	*6 1-163-222-11	s	CERAMIC, CHIP 5pF 50V (2125)
C536	*6 1-163-222-11	s	CERAMIC, CHIP 5pF 50V (2125)
C537	*6 1-163-227-11	s	CERAMIC, CHIP 10pF 5% 50V (2125)
C538	1-163-235-11	s	CERAMIC, CHIP 22pF 5% 50V (2125)
C539	1-163-033-00	s	CERAMIC, CHIP 0.022uF 50V (2125)
C540	1-163-243-11	s	CERAMIC, CHIP 47pF 5% 50V (2125)
C541	*6 1-126-401-11	s	ELECT, CHIP 1.0uF 20% 50V
C542	*6 1-163-227-11	s	CERAMIC, CHIP 10pF 5% 50V (2125)
C543	*6 1-126-401-11	s	ELECT, CHIP 1.0uF 20% 50V
C544	*6 1-163-227-11	s	CERAMIC, CHIP 10pF 5% 50V (2125)
C545	*6 1-126-401-11	s	ELECT, CHIP 1.0uF 20% 50V
C547	1-163-033-00	s	CERAMIC, CHIP 0.022uF 50V (2125)
C552	1-163-033-00	s	CERAMIC, CHIP 0.022uF 50V (2125)
C553	1-164-232-11	s	CERAMIC, CHIP 0.01uF 10% 100V
C554	1-164-232-11	s	CERAMIC, CHIP 0.01uF 10% 100V
C555	1-163-033-00	s	CERAMIC, CHIP 0.022uF 50V (2125)
C556	1-163-033-00	s	CERAMIC, CHIP 0.022uF 50V (2125)
C557	1-164-232-11	s	CERAMIC, CHIP 0.01uF 10% 100V
C558	1-164-232-11	s	CERAMIC, CHIP 0.01uF 10% 100V
C700	1-126-396-11	s	ELECT, CHIP 47uF 20% 16V
C701	1-163-037-11	s	CERAMIC, CHIP 0.022uF 10% 25V
C702	1-163-251-11	s	CERAMIC, CHIP 100pF 5% 50V (2125)
C703	1-126-395-11	s	ELECT, CHIP 22uF 20% 16V
C704	1-126-395-11	s	ELECT, CHIP 22uF 20% 16V
C705	1-163-243-11	s	CERAMIC, CHIP 47pF 5% 50V (2125)
C706	1-163-235-11	s	CERAMIC, CHIP 22pF 5% 50V (2125)
C707	1-163-235-11	s	CERAMIC, CHIP 22pF 5% 50V (2125)
C708	1-126-395-11	s	ELECT, CHIP 22uF 20% 16V
C709	1-126-395-11	s	ELECT, CHIP 22uF 20% 16V
C711	1-163-251-11	s	CERAMIC, CHIP 100pF 5% 50V

\*3: Board No. suffix 31 only  
\*6: LOT No. 303 through 410

## (CUE-1 BOARD for DVW-500P)

Ref. No. or Q'ty	Part No.	SP	Description
C712	1-163-251-11	s	CERAMIC, CHIP 100pF 5% 50V (2125)
C713	1-126-395-11	s	ELECT, CHIP 22uF 20% 16V
C714	1-126-395-11	s	ELECT, CHIP 22uF 20% 16V
C715	1-163-222-11	s	CERAMIC, CHIP 5pF 50V (2125)
C716	1-124-122-11	s	ELECT 100uF 20% 50V
C717	1-124-122-11	s	ELECT 100uF 20% 50V
C718	1-104-539-11	s	FILM, CHIP 0.001uF 5% 50V (2125)
C719	1-124-667-11	s	ELECT 10uF 20% 100V
C720	1-163-033-00	s	CERAMIC, CHIP 0.022uF 50V (2125)
C721	1-124-667-11	s	ELECT 10uF 20% 100V
C722	1-124-667-11	s	ELECT 10uF 20% 100V
C800	1-163-251-11	s	CERAMIC, CHIP 100pF 5% 50V (2125)
C801	1-126-098-11	s	ELECT 22uF 20% 35V
C802	1-126-098-11	s	ELECT 22uF 20% 35V
C803	1-163-251-11	s	CERAMIC, CHIP 100pF 5% 50V (2125)
C804	1-163-251-11	s	CERAMIC, CHIP 100pF 5% 50V (2125)
C805	1-104-792-51	s	ELECT 33uF 20% 50V
C806	1-104-792-51	s	ELECT 33uF 20% 50V
C807	1-163-251-11	s	CERAMIC, CHIP 100pF 5% 50V (2125)
C809	1-126-395-11	s	ELECT, CHIP 22uF 20% 16V
C810	1-163-251-11	s	CERAMIC, CHIP 100pF 5% 50V (2125)
C811	1-163-251-11	s	CERAMIC, CHIP 100pF 5% 50V (2125)
C812	1-126-395-11	s	ELECT, CHIP 22uF 20% 16V
C901	1-104-539-11	s	FILM, CHIP 0.001uF 5% 50V (2125)
C902	1-104-539-11	s	FILM, CHIP 0.001uF 5% 50V (2125)
C903	1-104-555-11	s	FILM, CHIP 0.022uF 5% 16V (3216)
C910	1-126-336-11	s	ELECT 220uF 20% 25V
C911	1-126-336-11	s	ELECT 220uF 20% 25V
C920	1-163-033-00	s	CERAMIC, CHIP 0.022uF 50V (2125)
C921	1-163-033-00	s	CERAMIC, CHIP 0.022uF 50V (2125)
C922	1-124-667-11	s	ELECT 10uF 20% 100V
C923	1-124-667-11	s	ELECT 10uF 20% 100V
C930	*j 1-126-395-11	s	ELECT, CHIP 22uF 20% 16V
*c	1-126-394-11	s	ELECT, CHIP 10uF 20% 16V
*3	1-126-163-11	s	ELECT 4.7uF 20% 50V
CN105	1-750-795-21	s	CONNECTOR, PHEC 120P, MALE
CN900	1-506-471-11	s	CONNECTOR, 6P, MALE
CN901	1-564-005-11	o	CONNECTOR, 6P, MALE
CN902	1-564-002-11	s	CONNECTOR, 3P, MALE
CN903	1-506-468-11	s	CONNECTOR, 3P, MALE
D100	*6 8-719-941-23	s	DIODE DA204U
D101	8-719-941-23	s	DIODE DA204U
D102	8-719-941-23	s	DIODE DA204U
D103	*6 8-719-941-23	s	DIODE DA204U
D105	8-719-941-23	s	DIODE DA204U
D106	8-719-941-23	s	DIODE DA204U
D107	*6 8-719-941-23	s	DIODE DA204U
D108	8-719-941-23	s	DIODE DA204U
D310	*6 8-719-123-82	s	DIODE 1SS303
D311	*6 8-719-123-82	s	DIODE 1SS303
D400	8-719-404-35	s	DIODE MA141WK
D401	8-719-024-81	s	DIODE 1SS300
D402	*6 8-719-123-82	s	DIODE 1SS303
D403-405	8-719-024-81	s	DIODE 1SS300
D406	*j 8-719-941-23	s	DIODE DA204U

\*c: Board No. suffix 32 only  
\*j: Board No. suffix 33 or higher

(CUE-1 BOARD for DVW-500P)

Ref. No. or Q'ty	Part No.	SP	Description
D411	8-719-941-04	s	DIODE SB007-03CP
D412	(*5)8-719-911-19	s	DIODE 1SS119
D413	(*5)8-719-911-19	s	DIODE 1SS119
D501	8-719-024-81	s	DIODE 1SS300
D502	*6 8-719-941-23	s	DIODE DA204U
D504	8-719-024-81	s	DIODE 1SS300
D505	8-719-024-81	s	DIODE 1SS300
D507	*6 8-719-941-23	s	DIODE DA204U
D508	*6 8-719-941-23	s	DIODE DA204U
D509	*6 8-719-941-23	s	DIODE DA204U
D700	8-719-941-23	s	DIODE DA204U
D701	8-719-024-81	s	DIODE 1SS300
D710	8-719-068-42	s	DIODE MA143A
D720	8-719-068-42	s	DIODE MA143A
D801	8-719-024-81	s	DIODE 1SS300
D802-805	8-719-068-42	s	DIODE MA143A
D806	8-719-941-23	s	DIODE DA204U
D900	*n 8-719-941-04	s	DIODE SB007-03CP
IC101	8-759-112-66	s	IC UPC812G2
IC102	8-759-112-66	s	IC UPC812G2
IC103	*h 8-759-988-97	s	IC DBX2155
	*3 8-759-603-82	s	IC M5241L
IC104	8-759-988-97	s	IC DBX2155
IC105	8-759-106-02	s	IC UPC4570G2
IC106	8-759-106-02	s	IC UPC4570G2
IC107	8-759-194-97	s	IC NJM4560MD-TE2
IC108	8-759-106-02	s	IC UPC4570G2
IC109	8-759-106-02	s	IC UPC4570G2
IC111	8-759-512-08	s	IC NJM2068M-D
IC112	8-759-106-02	s	IC UPC4570G2
IC113	8-759-106-02	s	IC UPC4570G2
IC116	8-759-106-02	s	IC UPC4570G2
IC117	*j 8-759-112-66	s	IC UPC812G2
	*a 8-759-908-16	s	IC TL072CPS
	*2 8-759-908-17	s	IC TL082CPS
IC118	8-759-446-74	s	IC TA79L05F
IC119	8-759-106-02	s	IC UPC4570G2
IC320	8-759-106-02	s	IC UPC4570G2
IC321	*6 8-759-700-07	s	IC NJM2903M
IC322	*6 8-759-673-39	s	IC MM74HC02SJX
IC324	*6 8-759-700-07	s	IC NJM2903M
IC400	8-759-194-97	s	IC NJM4560MD-TE2
IC401	8-759-234-08	s	IC TA78L05F
IC402	8-759-446-74	s	IC TA79L05F
IC403	8-759-673-39	s	IC MM74HC02SJX
IC404	8-759-637-09	s	IC M5238FP-722
IC405	8-759-106-02	s	IC UPC4570G2
IC406	8-759-908-17	s	IC TL082CPS
IC407	8-759-700-07	s	IC NJM2903M
IC500	8-759-927-29	s	IC SN74HCU04ANS
IC501	8-759-673-39	s	IC MM74HC02SJX
IC502	8-759-453-43	s	IC TC74HC4024AF (EL)
IC503	8-759-673-45	s	IC MM74HC08SJX
IC504	*6 8-759-710-28	s	IC NJM4565M-A
IC505	8-759-239-34	s	IC TC74HC4538AF

(CUE-1 BOARD for DVW-500P)

Ref. No. or Q'ty	Part No.	SP	Description
IC506	8-759-673-45	s	IC MM74HC08SJX
IC508	8-759-236-43	s	IC TC74HC163AF(EL)
IC509	*6 8-759-700-07	s	IC NJM2903M
IC510	8-759-927-29	s	IC SN74HCU04ANS
IC511	*6 8-759-106-02	s	IC UPC4570G2
IC512	*6 8-759-106-02	s	IC UPC4570G2
IC513	*6 8-759-700-07	s	IC NJM2903M
IC515	8-759-239-55	s	IC TC74HC123AF
IC516	8-759-925-99	s	IC SN74HC109ANS
IC517	8-759-239-55	s	IC TC74HC123AF
IC700	8-759-106-02	s	IC UPC4570G2
IC701	8-759-908-17	s	IC TL082CPS
IC702	8-759-106-02	s	IC UPC4570G2
IC703	8-759-700-45	s	IC NJM4556M-A
IC704	8-759-588-96	s	IC NJM5532L-D
IC705	8-759-588-96	s	IC NJM5532L-D
IC706	8-759-710-28	s	IC NJM4565M-A
IC801	8-759-700-07	s	IC NJM2903M
IC802	8-759-700-84	s	IC NJM2041M-D
IC803	8-759-106-02	s	IC UPC4570G2
L500-503	1-412-533-21	s	INDUCTOR 47uH
LV100	1-410-934-21	s	COIL, VAR 7.1uH
LV101	1-410-934-21	s	COIL, VAR 7.1uH
LV102	1-459-411-00	s	COIL, VAR 18mH
LV500	1-414-007-11	s	COIL, VAR 1.5uH
LV501	1-414-007-11	s	COIL, VAR 1.5uH
PS101	Δ 1-532-679-00	s	LINK, IC 0.6A
PS102	Δ 1-532-679-00	s	LINK, IC 0.6A
PS501	Δ 1-532-727-11	s	LINK, IC 0.25A
PS502	Δ 1-532-605-00	s	LINK, IC 0.4A
PS503	Δ 1-532-605-00	s	LINK, IC 0.4A
PS504	Δ 1-532-605-00	s	LINK, IC 0.4A
Q100	*6 8-729-203-30	s	TRANSISTOR 2SJ106-Y
Q101	*6 8-729-205-38	s	TRANSISTOR 2SK208-Y
Q102	8-729-209-07	s	TRANSISTOR 2SC4213-B
Q103	8-729-205-38	s	TRANSISTOR 2SK208-Y
Q104	8-729-203-30	s	TRANSISTOR 2SJ106-Y
Q105	8-729-209-07	s	TRANSISTOR 2SC4213-B
Q106-110	8-729-109-44	s	TRANSISTOR 2SK94
Q111	*j 8-729-109-44	s	TRANSISTOR 2SK94
Q121	8-729-209-07	s	TRANSISTOR 2SC4213-B
Q123	8-729-209-07	s	TRANSISTOR 2SC4213-B
Q125	8-729-209-07	s	TRANSISTOR 2SC4213-B
Q134	*h 8-729-209-07	s	TRANSISTOR 2SC4213-B
Q135	8-729-109-44	s	TRANSISTOR 2SK94
Q136	8-729-109-44	s	TRANSISTOR 2SK94
Q402	8-729-209-07	s	TRANSISTOR 2SC4213-B
Q403	8-729-209-07	s	TRANSISTOR 2SC4213-B
Q404	8-729-109-44	s	TRANSISTOR 2SK94
Q405	8-729-209-07	s	TRANSISTOR 2SC4213-B
Q406	8-729-209-07	s	TRANSISTOR 2SC4213-B
Q407	8-729-209-07	s	TRANSISTOR 2SC4213-B
Q408	8-729-905-12	s	TRANSISTOR DTA144EU
Q410	8-729-905-18	s	TRANSISTOR DTC144EU
Q411	8-729-140-63	s	TRANSISTOR 2SA1611-M5M6

-----  
 \*2: LOT No. 303 through 305  
 \*3: Board No. suffix 31 only  
 \*5: Board No. suffix 31 or 32  
 \*6: LOT No. 303 through 410  
 \*a: LOT No. 306 through 402

-----  
 \*h: Board No. suffix 32 or higher  
 \*j: Board No. suffix 33 or higher  
 \*n: LOT No. 309 or higher  
 (\*?): Some Mounted circuit boards within specified “\*?”

(CUE-1 BOARD for DVW-500P)

Ref. No. or Q'ty	Part No.	SP	Description
Q412	*6 8-729-905-18	s	TRANSISTOR DTC144EU
Q413	*6 8-729-140-63	s	TRANSISTOR 2SA1611-M5M6
Q415	8-729-905-18	s	TRANSISTOR DTC144EU
Q416	8-729-140-63	s	TRANSISTOR 2SA1611-M5M6
Q417	8-729-905-18	s	TRANSISTOR DTC144EU
Q418	8-729-140-63	s	TRANSISTOR 2SA1611-M5M6
Q419	8-729-905-18	s	TRANSISTOR DTC144EU
Q420	8-729-140-63	s	TRANSISTOR 2SA1611-M5M6
Q425	8-729-905-12	s	TRANSISTOR DTA144EU
Q429	8-729-905-18	s	TRANSISTOR DTC144EU
Q500	8-729-905-18	s	TRANSISTOR DTC144EU
Q501	8-729-140-63	s	TRANSISTOR 2SA1611-M5M6
Q502	8-729-117-11	s	TRANSISTOR 2SB1151-L
Q503	8-729-117-32	s	TRANSISTOR 2SC4177-L6
Q507	8-729-212-02	s	TRANSISTOR 2SC2120-Y
Q508	8-729-212-02	s	TRANSISTOR 2SC2120-Y
Q509	8-729-905-18	s	TRANSISTOR DTC144EU
Q510	8-729-905-18	s	TRANSISTOR DTC144EU
Q511	8-729-905-18	s	TRANSISTOR DTC144EU
Q512	8-729-140-63	s	TRANSISTOR 2SA1611-M5M6
Q513	8-729-140-63	s	TRANSISTOR 2SA1611-M5M6
Q514	8-729-140-63	s	TRANSISTOR 2SA1611-M5M6
Q515	8-729-117-11	s	TRANSISTOR 2SB1151-L
Q516	8-729-117-11	s	TRANSISTOR 2SB1151-L
Q517	8-729-117-11	s	TRANSISTOR 2SB1151-L
Q518	8-729-117-32	s	TRANSISTOR 2SC4177-L6
Q519	8-729-117-32	s	TRANSISTOR 2SC4177-L6
Q520	8-729-117-32	s	TRANSISTOR 2SC4177-L6
Q521	8-729-140-63	s	TRANSISTOR 2SA1611-M5M6
Q522	8-729-209-07	s	TRANSISTOR 2SC4213-B
Q523	8-729-159-65	s	TRANSISTOR 2SD596-DV5
Q524	8-729-159-65	s	TRANSISTOR 2SD596-DV5
Q525	8-729-140-98	s	TRANSISTOR 2SD773-34
Q526	8-729-140-98	s	TRANSISTOR 2SD773-34
Q527	8-729-209-07	s	TRANSISTOR 2SC4213-B
Q528	8-729-140-98	s	TRANSISTOR 2SD773-34
Q529	8-729-140-98	s	TRANSISTOR 2SD773-34
Q531	8-729-905-18	s	TRANSISTOR DTC144EU
Q540	*j 8-729-905-18	s	TRANSISTOR DTC144EU
Q700	8-729-109-44	s	TRANSISTOR 2SK94
Q701	8-729-905-12	s	TRANSISTOR DTA144EU
Q702	8-729-117-32	s	TRANSISTOR 2SC4177-L6
Q801	8-729-140-63	s	TRANSISTOR 2SA1611-M5M6
Q901	8-729-143-30	s	TRANSISTOR 2SD1691K
Q902	8-729-117-11	s	TRANSISTOR 2SB1151-L
Q903	8-759-245-45	s	IC TA78L09F
Q904	8-759-068-03	s	IC NJM79L09UA
Q905	*j 8-729-140-63	s	TRANSISTOR 2SA1611-M5M6
Q906	*j 8-729-109-44	s	TRANSISTOR 2SK94
R100	1-216-025-00	s	METAL, CHIP 100 5% 1/10W (2125)
R101	*j 1-216-089-00	s	METAL, CHIP 47K 5% 1/10W (2125)
R102	1-216-025-00	s	METAL, CHIP 100 5% 1/10W (2125)
R103	1-208-801-11	s	METAL, CHIP 6.2K 0.5% 1/10W
R104	1-216-121-00	s	METAL, CHIP 1.0M 5% 1/10W (2125)
R105	1-216-121-00	s	METAL, CHIP 1.0M 5% 1/10W (2125)
R106	*h 1-208-801-11	s	METAL, CHIP 6.2K 0.5% 1/10W
	*3 1-216-651-11	s	METAL, CHIP 1.0K 0.5% 1/10W

-----  
 \*3: Board No. suffix 31 only  
 \*5: Board No. suffix 31 or 32  
 \*6: LOT No. 303 through 410

(CUE-1 BOARD for DVW-500P)

Ref. No. or Q'ty	Part No.	SP	Description
R107	1-216-651-11	s	METAL, CHIP 1.0K 0.5% 1/10W (2125)
R108	*j 1-216-097-00	s	METAL, CHIP 100K 5% 1/10W (2125)
R109	*h 1-216-068-00	s	METAL, CHIP 6.2K 5% 1/10W (2125)
	*3 1-216-067-00	s	METAL, CHIP 5.6K 5% 1/10W (2125)
R110	1-216-049-00	s	METAL, CHIP 1.0K 5% 1/10W (2125)
R111	*h 1-216-101-00	s	METAL, CHIP 150K 5% 1/10W (2125)
R112	*h 1-208-774-11	s	METAL, CHIP 470 0.5% 1/10W (2125)
	*3 1-216-661-11	s	METAL, CHIP 2.7K 0.5% 1/10W (2125)
R113	1-216-025-00	s	METAL, CHIP 100 5% 1/10W (2125)
R114	*h 1-216-049-00	s	METAL, CHIP 1.0K 5% 1/10W (2125)
	*3 1-208-812-11	s	METAL, CHIP 18K 0.5% 1/10W (2125)
R115	*h 1-208-785-11	s	METAL, CHIP 1.3K 0.5% 1/10W (2125)
	*3 1-216-645-11	s	METAL, CHIP 560 0.5% 1/10W (2125)
R116	1-216-101-00	s	METAL, CHIP 150K 5% 1/10W (2125)
R117	1-208-774-11	s	METAL, CHIP 470 0.5% 1/10W (2125)
R118	*h 1-216-025-00	s	METAL, CHIP 100 5% 1/10W (2125)
	*3 1-216-650-11	s	METAL, CHIP 910 0.5% 1/10W (2125)
R119	1-216-682-11	s	METAL, CHIP 20K 0.5% 1/10W (2125)
R120	*h 1-216-019-00	s	METAL, CHIP 56 5% 1/10W (2125)
	*3 1-216-657-11	s	METAL, CHIP 1.8K 0.5% 1/10W (2125)
R121	*6 1-216-121-00	s	METAL, CHIP 1.0M 5% 1/10W (2125)
R122	*6 1-216-121-00	s	METAL, CHIP 1.0M 5% 1/10W (2125)
R123	*6 1-216-121-00	s	METAL, CHIP 1.0M 5% 1/10W (2125)
R124	*6 1-216-121-00	s	METAL, CHIP 1.0M 5% 1/10W (2125)
R125	*j 1-216-659-11	s	METAL, CHIP 2.2K 0.5% 1/10W (2125)
	*5 1-218-760-11	s	METAL, CHIP 220K 0.5% 1/10W (2125)
R126	1-216-073-00	s	METAL, CHIP 10K 5% 1/10W (2125)
R127	1-216-697-11	s	METAL, CHIP 82K 0.5% 1/10W (2125)
R128	1-216-073-00	s	METAL, CHIP 10K 5% 1/10W (2125)
R129	1-216-067-00	s	METAL, CHIP 5.6K 5% 1/10W (2125)
R130	1-216-675-11	s	METAL, CHIP 10K 0.5% 1/10W (2125)
R131	1-216-019-00	s	METAL, CHIP 56 5% 1/10W (2125)
R132	1-216-677-11	s	METAL, CHIP 12K 0.5% 1/10W (2125)
R133	1-208-800-11	s	METAL, CHIP 5.6K 0.5% 1/10W (2125)
R136	1-216-679-11	s	METAL, CHIP 15K 0.5% 1/10W (2125)
R137	1-216-699-11	s	METAL, CHIP 100K 0.5% 1/10W (2125)
R138-141	1-216-121-00	s	METAL, CHIP 1.0M 5% 1/10W (2125)
R142	*h 1-216-687-11	s	METAL, CHIP 33K 0.5% 1/10W (2125)
R143	1-216-073-00	s	METAL, CHIP 10K 5% 1/10W (2125)
R144	1-216-089-00	s	METAL, CHIP 47K 5% 1/10W (2125)
R145	1-216-682-11	s	METAL, CHIP 20K 0.5% 1/10W (2125)
R146	1-216-682-11	s	METAL, CHIP 20K 0.5% 1/10W (2125)
R147	1-216-682-11	s	METAL, CHIP 20K 0.5% 1/10W (2125)
R148	1-216-675-11	s	METAL, CHIP 10K 0.5% 1/10W (2125)
R149	1-216-675-11	s	METAL, CHIP 10K 0.5% 1/10W (2125)
R150	1-216-097-00	s	METAL, CHIP 100K 5% 1/10W (2125)
R151	*j 1-216-679-11	s	METAL, CHIP 15K 0.5% 1/10W (2125)
	*5 1-216-077-00	s	METAL, CHIP 15K 5% 1/10W (2125)
R152	*h 1-216-068-00	s	METAL, CHIP 6.2K 5% 1/10W (2125)
	*3 1-208-801-11	s	METAL, CHIP 6.2K 0.5% 1/10W (2125)
R153	1-216-071-00	s	METAL, CHIP 8.2K 5% 1/10W (2125)
R154	1-216-675-11	s	METAL, CHIP 10K 0.5% 1/10W (2125)
R155	1-216-121-00	s	METAL, CHIP 1.0M 5% 1/10W (2125)
R156	1-216-081-00	s	METAL, CHIP 22K 5% 1/10W (2125)

-----  
 \*h: Board No. suffix 32 or higher  
 \*j: Board No. suffix 33 or higher

## (CUE-1 BOARD for DVW-500P)

Ref. No. or Q'ty	Part No.	SP	Description
R157	1-216-121-00	s	METAL, CHIP 1.0M 5% 1/10W (2125)
R158	1-216-121-00	s	METAL, CHIP 1.0M 5% 1/10W (2125)
R159	1-216-121-00	s	METAL, CHIP 1.0M 5% 1/10W (2125)
R160	1-220-238-11	s	METAL, CHIP 10 5% 1/4W (3225)
R161	1-216-121-00	s	METAL, CHIP 1.0M 5% 1/10W (2125)
R162	*h 1-216-687-11	s	METAL, CHIP 33K 0.5% 1/10W (2125)
R163	*h 1-216-682-11	s	METAL, CHIP 20K 0.5% 1/10W (2125)
R168	1-216-697-11	s	METAL, CHIP 82K 0.5% 1/10W (2125)
R169	1-216-625-11	s	METAL, CHIP 82 0.5% 1/10W (2125)
R171	1-216-699-11	s	METAL, CHIP 100K 0.5% 1/10W
R173	1-216-691-11	s	METAL, CHIP 47K 0.5% 1/10W (2125)
R174	1-216-691-11	s	METAL, CHIP 47K 0.5% 1/10W (2125)
R184	1-216-659-11	s	METAL, CHIP 2.2K 0.5% 1/10W
R190	1-216-073-00	s	METAL, CHIP 10K 5% 1/10W (2125)
R192	1-216-073-00	s	METAL, CHIP 10K 5% 1/10W (2125)
R194	1-216-073-00	s	METAL, CHIP 10K 5% 1/10W (2125)
R196	1-216-073-00	s	METAL, CHIP 10K 5% 1/10W (2125)
R198	1-216-675-11	s	METAL, CHIP 10K 0.5% 1/10W
R200	1-216-073-00	s	METAL, CHIP 10K 5% 1/10W (2125)
R202	1-216-073-00	s	METAL, CHIP 10K 5% 1/10W (2125)
R204	1-216-675-11	s	METAL, CHIP 10K 0.5% 1/10W (2125)
R206	1-216-053-00	s	METAL, CHIP 1.5K 5% 1/10W (2125)
R208	*j 1-216-645-11	s	METAL, CHIP 560 0.5% 1/10W (2125)
	*5 1-216-037-00	s	METAL, CHIP 330 5% 1/10W (2125)
R210	1-216-073-00	s	METAL, CHIP 10K 5% 1/10W (2125)
R211	1-216-691-11	s	METAL, CHIP 47K 0.5% 1/10W (2125)
R212	1-216-675-11	s	METAL, CHIP 10K 0.5% 1/10W (2125)
R213	*j 1-218-772-11	s	METAL, CHIP 680K 0.5% 1/10W
	*5 1-218-756-11	s	METAL, CHIP 150K 0.5% 1/10W
R214	*j 1-216-687-11	s	METAL, CHIP 33K 0.5% 1/10W
	*5 1-208-814-11	s	METAL, CHIP 22K 0.5% 1/10W (2125)
R215	1-218-754-11	s	METAL, CHIP 120K 0.5% 1/10W
R216	1-216-675-11	s	METAL, CHIP 10K 0.5% 1/10W (2125)
R217	*j 1-218-762-11	s	METAL, CHIP 270K 0.5% 1/10W
	*5 1-218-754-11	s	METAL, CHIP 120K 0.5% 1/10W
R218	*j 1-216-687-11	s	METAL, CHIP 33K 0.5% 1/10W (2125)
	*5 1-208-824-11	s	METAL, CHIP 56K 0.5% 1/10W (2125)
R219	1-208-814-11	s	METAL, CHIP 22K 0.5% 1/10W (2125)
R220	*j 1-218-764-11	s	METAL, CHIP 330K 0.5% 1/10W
	*5 1-218-760-11	s	METAL, CHIP 220K 0.5% 1/10W
R221	1-218-774-11	s	METAL, CHIP 820K 0.5% 1/10W
R222	*j 1-218-756-11	s	METAL, CHIP 150K 0.5% 1/10W
	*5 1-216-687-11	s	METAL, CHIP 33K 0.5% 1/10W (2125)
R223	1-216-675-11	s	METAL, CHIP 10K 0.5% 1/10W (2125)
R224	1-208-814-11	s	METAL, CHIP 22K 0.5% 1/10W (2125)
R226	1-216-073-00	s	METAL, CHIP 10K 5% 1/10W (2125)
R236	*h 1-208-799-11	s	METAL, CHIP 5.1K 0.5% 1/10W
	*3 1-216-057-00	s	METAL, CHIP 2.2K 5% 1/10W (2125)
R238	*h 1-216-655-11	s	METAL, CHIP 1.5K 0.5% 1/10W
	*3 1-216-673-11	s	METAL, CHIP 8.2K 0.5% 1/10W
R239	*h 1-208-784-11	s	METAL, CHIP 1.2K 0.5% 1/10W
	*3 1-216-687-11	s	METAL, CHIP 33K 0.5% 1/10W (2125)
R240	*h 1-216-295-00	s	METAL, CHIP 0 (2125)
	*3 1-216-675-11	s	METAL, CHIP 10K 0.5% 1/10W

\*2: LOT No. 303 through 305  
 \*3: Board No. suffix 31 only  
 \*5: Board No. suffix 31 or 32  
 \*6: LOT No. 303 through 410

## (CUE-1 BOARD for DVW-500P)

Ref. No. or Q'ty	Part No.	SP	Description
R242	*3 1-216-682-11	s	METAL, CHIP 20K 0.5% 1/10W (2125)
R243	1-208-799-11	s	METAL, CHIP 5.1K 0.5% 1/10W (2125)
R244	1-216-657-11	s	METAL, CHIP 1.8K 0.5% 1/10W (2125)
R245	1-208-801-11	s	METAL, CHIP 6.2K 0.5% 1/10W (2125)
R246	1-216-025-00	s	METAL, CHIP 100 5% 1/10W (2125)
R253	1-216-073-00	s	METAL, CHIP 10K 5% 1/10W (2125)
R254	*h 1-216-682-11	s	METAL, CHIP 20K 0.5% 1/10W (2125)
	*3 1-216-627-11	s	METAL, CHIP 100 0.5% 1/10W (2125)
R255	*6 1-216-065-00	s	METAL, CHIP 4.7K 5% 1/10W (2125)
R256	*6 1-216-065-00	s	METAL, CHIP 4.7K 5% 1/10W (2125)
R257	*6 1-216-065-00	s	METAL, CHIP 4.7K 5% 1/10W (2125)
R258	*6 1-216-065-00	s	METAL, CHIP 4.7K 5% 1/10W (2125)
R259	1-216-071-00	s	METAL, CHIP 8.2K 5% 1/10W (2125)
R261	1-216-664-11	s	METAL, CHIP 3.6K 0.5% 1/10W (2125)
R262	*j 1-216-659-11	s	METAL, CHIP 2.2K 0.5% 1/10W (2125)
R263	*g 1-216-295-00	s	METAL, CHIP 0 (2125)
	*2 1-218-756-11	s	METAL, CHIP 150K 0.5% 1/10W (2125)
R264	*g 1-216-682-11	s	METAL, CHIP 20K 0.5% 1/10W (2125)
	*2 1-216-073-00	s	METAL, CHIP 10K 5% 1/10W (2125)
R265	1-216-689-11	s	METAL, CHIP 39K 0.5% 1/10W (2125)
R266	1-216-095-00	s	METAL, CHIP 82K 5% 1/10W (2125)
R267	1-216-295-00	s	METAL, CHIP 0 (2125)
R268	*j 1-216-666-11	s	METAL, CHIP 4.3K 0.5% 1/10W (2125)
R274-277	1-216-121-00	s	METAL, CHIP 1.0M 5% 1/10W (2125)
R279	1-216-121-00	s	METAL, CHIP 1.0M 5% 1/10W (2125)
R280	1-216-655-11	s	METAL, CHIP 1.5K 0.5% 1/10W (2125)
R281	1-216-655-11	s	METAL, CHIP 1.5K 0.5% 1/10W (2125)
R282	*h 1-216-065-00	s	METAL, CHIP 4.7K 5% 1/10W (2125)
R283	*h 1-216-073-00	s	METAL, CHIP 10K 5% 1/10W (2125)
R284-287	1-216-121-00	s	METAL, CHIP 1.0M 5% 1/10W (2125)
R288	1-216-295-00	s	METAL, CHIP 0 (2125)
R289	1-216-295-00	s	METAL, CHIP 0 (2125)
R290	1-216-295-00	s	METAL, CHIP 0 (2125)
R304	1-216-689-11	s	METAL, CHIP 39K 0.5% 1/10W (2125)
R321	*6 1-216-071-00	s	METAL, CHIP 8.2K 5% 1/10W (2125)
R322	*6 1-216-684-11	s	METAL, CHIP 24K 0.5% 1/10W (2125)
R323	*6 1-216-664-11	s	METAL, CHIP 3.6K 0.5% 1/10W (2125)
R324	*6 1-216-655-11	s	METAL, CHIP 1.5K 0.5% 1/10W (2125)
R325	*6 1-216-049-00	s	METAL, CHIP 1.0K 5% 1/10W (2125)
R326	*6 1-216-049-00	s	METAL, CHIP 1.0K 5% 1/10W (2125)
R327	*6 1-216-121-00	s	METAL, CHIP 1.0M 5% 1/10W (2125)
R328	*6 1-216-121-00	s	METAL, CHIP 1.0M 5% 1/10W (2125)
R352	*6 1-216-071-00	s	METAL, CHIP 8.2K 5% 1/10W (2125)
R353	*6 1-216-684-11	s	METAL, CHIP 24K 0.5% 1/10W (2125)
R354	*6 1-216-664-11	s	METAL, CHIP 3.6K 0.5% 1/10W (2125)
R355	*6 1-216-655-11	s	METAL, CHIP 1.5K 0.5% 1/10W (2125)
R356	*6 1-216-049-00	s	METAL, CHIP 1.0K 5% 1/10W (2125)
R357	*6 1-216-049-00	s	METAL, CHIP 1.0K 5% 1/10W (2125)
R358	*6 1-216-121-00	s	METAL, CHIP 1.0M 5% 1/10W (2125)
R369	*6 1-216-121-00	s	METAL, CHIP 1.0M 5% 1/10W (2125)
R400	1-216-073-00	s	METAL, CHIP 10K 5% 1/10W (2125)
R401	1-216-025-00	s	METAL, CHIP 100 5% 1/10W (2125)
R402	1-216-025-00	s	METAL, CHIP 100 5% 1/10W (2125)
R403	1-216-089-00	s	METAL, CHIP 47K 5% 1/10W (2125)
R404	1-216-073-00	s	METAL, CHIP 10K 5% 1/10W (2125)

\*g: LOT No. 306 or higher  
 \*h: Board No. suffix 32 or higher  
 \*j: Board No. suffix 33 or higher

## (CUE-1 BOARD for DVW-500P)

Ref. No. or Q'ty	Part No.	SP	Description
R405	1-216-675-11	s	METAL, CHIP 10K 0.5% 1/10W (2125)
R406	1-216-077-00	s	METAL, CHIP 15K 5% 1/10W (2125)
R407	1-216-603-11	s	METAL, CHIP 10 0.5% 1/10W (2125)
R408	1-216-065-00	s	METAL, CHIP 4.7K 5% 1/10W (2125)
R409	1-216-649-11	s	METAL, CHIP 820 0.5% 1/10W (2125)
R410	1-216-635-11	s	METAL, CHIP 220 0.5% 1/10W (2125)
R411	1-216-097-00	s	METAL, CHIP 100K 5% 1/10W (2125)
R412	1-218-760-11	s	METAL, CHIP 220K 0.5% 1/10W
R413	1-216-033-00	s	METAL, CHIP 220 5% 1/10W (2125)
R414	1-216-065-00	s	METAL, CHIP 4.7K 5% 1/10W (2125)
R415	1-218-760-11	s	METAL, CHIP 220K 0.5% 1/10W
R416	1-216-121-00	s	METAL, CHIP 1.0M 5% 1/10W (2125)
R417	1-216-121-00	s	METAL, CHIP 1.0M 5% 1/10W (2125)
R418	1-216-049-00	s	METAL, CHIP 1.0K 5% 1/10W (2125)
R419	1-216-073-00	s	METAL, CHIP 10K 5% 1/10W (2125)
R420	1-216-053-00	s	METAL, CHIP 1.5K 5% 1/10W (2125)
R421	1-216-073-00	s	METAL, CHIP 10K 5% 1/10W (2125)
R422	1-216-097-00	s	METAL, CHIP 100K 5% 1/10W (2125)
R423	1-216-053-00	s	METAL, CHIP 1.5K 5% 1/10W (2125)
R424	*m 1-216-603-11	s	METAL, CHIP 10 0.5% 1/10W
	*7 1-216-025-00	s	METAL, CHIP 100 5% 1/10W (2125)
R425	*m 1-216-077-00	s	METAL, CHIP 15K 5% 1/10W (2125)
	*7 1-216-105-11	s	METAL, CHIP 220K 5% 1/10W (2125)
R426	1-216-081-00	s	METAL, CHIP 22K 5% 1/10W (2125)
R427	1-216-073-00	s	METAL, CHIP 10K 5% 1/10W (2125)
R428	1-216-073-00	s	METAL, CHIP 10K 5% 1/10W (2125)
R429	1-216-097-00	s	METAL, CHIP 100K 5% 1/10W (2125)
R430	1-216-049-00	s	METAL, CHIP 1.0K 5% 1/10W (2125)
R431	1-216-121-00	s	METAL, CHIP 1.0M 5% 1/10W (2125)
R432	1-216-061-00	s	METAL, CHIP 3.3K 5% 1/10W (2125)
R433	1-216-073-00	s	METAL, CHIP 10K 5% 1/10W (2125)
R434	1-216-075-00	s	METAL, CHIP 12K 5% 1/10W (2125)
R435	1-216-073-00	s	METAL, CHIP 10K 5% 1/10W (2125)
R436	1-216-121-00	s	METAL, CHIP 1.0M 5% 1/10W (2125)
R437	1-216-089-00	s	METAL, CHIP 47K 5% 1/10W (2125)
R438	1-216-065-00	s	METAL, CHIP 4.7K 5% 1/10W (2125)
R439	1-216-061-00	s	METAL, CHIP 3.3K 5% 1/10W (2125)
R440	1-216-061-00	s	METAL, CHIP 3.3K 5% 1/10W (2125)
R441	1-216-689-11	s	METAL, CHIP 39K 0.5% 1/10W (2125)
R442	1-216-065-00	s	METAL, CHIP 4.7K 5% 1/10W (2125)
R443	1-216-089-00	s	METAL, CHIP 47K 5% 1/10W (2125)
R444	*6 1-216-689-11	s	METAL, CHIP 39K 0.5% 1/10W (2125)
R445	*6 1-216-065-00	s	METAL, CHIP 4.7K 5% 1/10W (2125)
R446	*6 1-216-089-00	s	METAL, CHIP 47K 5% 1/10W (2125)
R447	1-216-073-00	s	METAL, CHIP 10K 5% 1/10W (2125)
R448	1-216-067-00	s	METAL, CHIP 5.6K 5% 1/10W (2125)
R449	1-216-692-11	s	METAL, CHIP 51K 0.5% 1/10W (2125)
R450	1-216-073-00	s	METAL, CHIP 10K 5% 1/10W (2125)
R451	1-216-067-00	s	METAL, CHIP 5.6K 5% 1/10W (2125)
R452	1-216-692-11	s	METAL, CHIP 51K 0.5% 1/10W
R453	1-216-689-11	s	METAL, CHIP 39K 0.5% 1/10W (2125)
R454	1-216-065-00	s	METAL, CHIP 4.7K 5% 1/10W (2125)
R455	1-216-089-00	s	METAL, CHIP 47K 5% 1/10W (2125)
R461	1-216-692-11	s	METAL, CHIP 51K 0.5% 1/10W (2125)
R462	1-216-077-00	s	METAL, CHIP 15K 5% 1/10W (2125)
R463	1-216-049-00	s	METAL, CHIP 1.0K 5% 1/10W (2125)

\*6: LOT No. 303 through 410  
\*7: LOT No. 303 through 502

## (CUE-1 BOARD for DVW-500P)

Ref. No. or Q'ty	Part No.	SP	Description
R464	1-216-049-00	s	METAL, CHIP 1.0K 5% 1/10W (2125)
R466	1-216-295-00	s	METAL, CHIP 0 (2125)
R468	1-216-073-00	s	METAL, CHIP 10K 5% 1/10W (2125)
R469	1-216-001-00	s	METAL, CHIP 10 5% 1/10W (2125)
R470	1-216-001-00	s	METAL, CHIP 10 5% 1/10W (2125)
R471	*6 1-216-065-00	s	METAL, CHIP 4.7K 5% 1/10W (2125)
R472	1-216-073-00	s	METAL, CHIP 10K 5% 1/10W (2125)
R480	1-216-073-00	s	METAL, CHIP 10K 5% 1/10W (2125)
R481	1-216-684-11	s	METAL, CHIP 24K 0.5% 1/10W (2125)
R482	1-216-097-00	s	METAL, CHIP 100K 5% 1/10W (2125)
R483	1-216-055-00	s	METAL, CHIP 1.8K 5% 1/10W (2125)
R484	1-216-067-00	s	METAL, CHIP 5.6K 5% 1/10W (2125)
R500	1-216-089-00	s	METAL, CHIP 47K 5% 1/10W (2125)
R501	1-216-063-00	s	METAL, CHIP 3.9K 5% 1/10W (2125)
R502	1-216-121-00	s	METAL, CHIP 1.0M 5% 1/10W (2125)
R503	1-216-057-00	s	METAL, CHIP 2.2K 5% 1/10W (2125)
R504	*6 1-216-089-00	s	METAL, CHIP 47K 5% 1/10W (2125)
R505	1-216-081-00	s	METAL, CHIP 22K 5% 1/10W (2125)
R509	1-216-045-00	s	METAL, CHIP 680 5% 1/10W (2125)
R510	1-216-045-00	s	METAL, CHIP 680 5% 1/10W (2125)
R511	*6 1-216-049-00	s	METAL, CHIP 1.0K 5% 1/10W (2125)
R512	*6 1-216-121-00	s	METAL, CHIP 1.0M 5% 1/10W (2125)
R513	*6 1-216-675-11	s	METAL, CHIP 10K 0.5% 1/10W (2125)
R514	*6 1-216-699-11	s	METAL, CHIP 100K 0.5% 1/10W (2125)
R515	1-220-240-11	s	METAL, CHIP 15 5% 1/4W (3225)
R516	1-220-240-11	s	METAL, CHIP 15 5% 1/4W (3225)
R517	*6 1-216-660-11	s	METAL, CHIP 2.4K 0.5% 1/10W (2125)
R518	*6 1-216-049-00	s	METAL, CHIP 1.0K 5% 1/10W (2125)
R519	*6 1-216-121-00	s	METAL, CHIP 1.0M 5% 1/10W (2125)
R520	1-218-236-11	s	METAL, CHIP 1.0 10% 1/4W (3225)
R521	1-216-085-00	s	METAL, CHIP 33K 5% 1/10W (2125)
R522	1-216-091-00	s	METAL, CHIP 56K 5% 1/10W (2125)
R523	1-216-091-00	s	METAL, CHIP 56K 5% 1/10W (2125)
R525	1-216-065-00	s	METAL, CHIP 4.7K 5% 1/10W (2125)
R526	1-216-065-00	s	METAL, CHIP 4.7K 5% 1/10W (2125)
R527	1-216-069-00	s	METAL, CHIP 6.8K 5% 1/10W (2125)
R528	1-208-784-11	s	METAL, CHIP 1.2K 0.5% 1/10W (2125)
R530	1-216-081-00	s	METAL, CHIP 22K 5% 1/10W (2125)
R531	1-216-645-11	s	METAL, CHIP 560 0.5% 1/10W (2125)
R532	1-216-073-00	s	METAL, CHIP 10K 5% 1/10W (2125)
R533	1-216-645-11	s	METAL, CHIP 560 0.5% 1/10W (2125)
R534	1-208-784-11	s	METAL, CHIP 1.2K 0.5% 1/10W (2125)
R535	1-216-081-00	s	METAL, CHIP 22K 5% 1/10W (2125)
R536	1-216-081-00	s	METAL, CHIP 22K 5% 1/10W (2125)
R537	1-216-073-00	s	METAL, CHIP 10K 5% 1/10W (2125)
R538	1-216-077-00	s	METAL, CHIP 15K 5% 1/10W (2125)
R539-542	1-216-035-00	s	METAL, CHIP 270 5% 1/10W (2125)
R543	1-216-093-00	s	METAL, CHIP 68K 5% 1/10W (2125)
R544	1-216-093-00	s	METAL, CHIP 68K 5% 1/10W (2125)
R545	1-216-057-00	s	METAL, CHIP 2.2K 5% 1/10W (2125)
R546	1-216-057-00	s	METAL, CHIP 2.2K 5% 1/10W (2125)
R547-550	1-220-248-11	s	METAL, CHIP 6.8 10% 1/2W (4532)
R551-553	1-218-236-11	s	METAL, CHIP 1.0 10% 1/4W (3225)
R555	*6 1-216-065-00	s	METAL, CHIP 4.7K 5% 1/10W (2125)
R556	1-218-326-11	s	METAL, CHIP 470 5% 1/2W (4532)
R558	1-216-025-00	s	METAL, CHIP 100 5% 1/10W (2125)

\*m: LOT No. 502 or higher

## (CUE-1 BOARD for DVW-500P)

Ref. No. or Q'ty	Part No.	SP	Description
R559	1-216-049-00	s	METAL, CHIP 1.0K 5% 1/10W (2125)
R560	*6 1-216-675-11	s	METAL, CHIP 10K 0.5% 1/10W (2125)
R561	*6 1-216-675-11	s	METAL, CHIP 10K 0.5% 1/10W (2125)
R562	*d 1-216-635-11	s	METAL, CHIP 220 0.5% 1/10W (2125)
	*3 1-208-774-11	s	METAL, CHIP 470 0.5% 1/10W (2125)
R563	*6 1-216-699-11	s	METAL, CHIP 100K 0.5% 1/10W
R564	*6 1-216-651-11	s	METAL, CHIP 1.0K 0.5% 1/10W
R565	*6 1-216-675-11	s	METAL, CHIP 10K 0.5% 1/10W (2125)
R566	1-216-661-11	s	METAL, CHIP 2.7K 0.5% 1/10W
R568	1-216-295-00	s	METAL, CHIP 0 (2125)
R569	1-216-635-11	s	METAL, CHIP 220 0.5% 1/10W (2125)
R570	*6 1-216-675-11	s	METAL, CHIP 10K 0.5% 1/10W (2125)
R571	*6 1-216-675-11	s	METAL, CHIP 10K 0.5% 1/10W (2125)
R572	*6 1-216-699-11	s	METAL, CHIP 100K 0.5% 1/10W
R573	*6 1-216-699-11	s	METAL, CHIP 100K 0.5% 1/10W
R574	*6 1-216-675-11	s	METAL, CHIP 10K 0.5% 1/10W (2125)
R575	*6 1-208-784-11	s	METAL, CHIP 1.2K 0.5% 1/10W
R576	*6 1-216-089-00	s	METAL, CHIP 47K 5% 1/10W (2125)
R577	1-216-697-11	s	METAL, CHIP 82K 0.5% 1/10W (2125)
R578	1-216-695-11	s	METAL, CHIP 68K 0.5% 1/10W (2125)
R579	*6 1-216-049-00	s	METAL, CHIP 1.0K 5% 1/10W (2125)
R580	*6 1-216-121-00	s	METAL, CHIP 1.0M 5% 1/10W (2125)
R581	*6 1-216-065-00	s	METAL, CHIP 4.7K 5% 1/10W (2125)
R582	*6 1-216-675-11	s	METAL, CHIP 10K 0.5% 1/10W (2125)
R583	*6 1-216-675-11	s	METAL, CHIP 10K 0.5% 1/10W (2125)
R584	*6 1-216-699-11	s	METAL, CHIP 100K 0.5% 1/10W
R585	*6 1-216-699-11	s	METAL, CHIP 100K 0.5% 1/10W
R586	*6 1-216-675-11	s	METAL, CHIP 10K 0.5% 1/10W (2125)
R587	*6 1-216-657-11	s	METAL, CHIP 1.8K 0.5% 1/10W
R588	*6 1-216-089-00	s	METAL, CHIP 47K 5% 1/10W (2125)
R589	*6 1-216-049-00	s	METAL, CHIP 1.0K 5% 1/10W (2125)
R590	*6 1-216-121-00	s	METAL, CHIP 1.0M 5% 1/10W (2125)
R591	*6 1-216-089-00	s	METAL, CHIP 47K 5% 1/10W (2125)
R592	*6 1-216-675-11	s	METAL, CHIP 10K 0.5% 1/10W (2125)
R593	*6 1-216-675-11	s	METAL, CHIP 10K 0.5% 1/10W (2125)
R594	*6 1-216-699-11	s	METAL, CHIP 100K 0.5% 1/10W
R595	*6 1-216-699-11	s	METAL, CHIP 100K 0.5% 1/10W
R596	*6 1-216-675-11	s	METAL, CHIP 10K 0.5% 1/10W (2125)
R597	*6 1-208-784-11	s	METAL, CHIP 1.2K 0.5% 1/10W
R598	1-216-073-00	s	METAL, CHIP 10K 5% 1/10W (2125)
R599	1-216-045-00	s	METAL, CHIP 680 5% 1/10W (2125)
R601	1-216-073-00	s	METAL, CHIP 10K 5% 1/10W (2125)
R602	1-216-699-11	s	METAL, CHIP 100K 0.5% 1/10W
R603	1-216-699-11	s	METAL, CHIP 100K 0.5% 1/10W
R604	1-216-073-00	s	METAL, CHIP 10K 5% 1/10W (2125)
R605	1-216-699-11	s	METAL, CHIP 100K 0.5% 1/10W
R606	1-216-699-11	s	METAL, CHIP 100K 0.5% 1/10W
R607	1-216-089-00	s	METAL, CHIP 47K 5% 1/10W (2125)
R608	1-216-073-00	s	METAL, CHIP 10K 5% 1/10W (2125)
R617	1-208-771-11	s	METAL, CHIP 360 0.5% 1/10W (2125)
R618	1-208-771-11	s	METAL, CHIP 360 0.5% 1/10W (2125)
R619	1-220-248-11	s	METAL, CHIP 6.8 10% 1/2W (4532)
R620	1-220-248-11	s	METAL, CHIP 6.8 10% 1/2W (4532)
R621	1-216-638-11	s	METAL, CHIP 300 0.5% 1/10W (2125)
R622	1-216-638-11	s	METAL, CHIP 300 0.5% 1/10W (2125)
R623	1-220-248-11	s	METAL, CHIP 6.8 10% 1/2W (4532)

\*3: Board No. suffix 31 only  
 \*6: LOT No. 303 through 410

## (CUE-1 BOARD for DVW-500P)

Ref. No. or Q'ty	Part No.	SP	Description
R624	1-220-248-11	s	METAL, CHIP 6.8 10% 1/2W (4532)
R700	1-216-661-11	s	METAL, CHIP 2.7K 0.5% 1/10W (2125)
R701	1-208-799-11	s	METAL, CHIP 5.1K 0.5% 1/10W (2125)
R703	1-216-659-11	s	METAL, CHIP 2.2K 0.5% 1/10W (2125)
R704	1-216-651-11	s	METAL, CHIP 1.0K 0.5% 1/10W (2125)
R705	1-216-647-11	s	METAL, CHIP 680 0.5% 1/10W (2125)
R706	1-216-631-11	s	METAL, CHIP 150 0.5% 1/10W (2125)
R707	1-218-776-11	s	METAL, CHIP 1.0M 0.5% 1/10W (2125)
R708	1-216-650-11	s	METAL, CHIP 910 0.5% 1/10W (2125)
R709	1-208-774-11	s	METAL, CHIP 470 0.5% 1/10W (2125)
R710	1-216-647-11	s	METAL, CHIP 680 0.5% 1/10W (2125)
R711	1-208-775-11	s	METAL, CHIP 510 0.5% 1/10W (2125)
R712	1-216-609-11	s	METAL, CHIP 18 0.5% 1/10W (2125)
R713	1-216-121-00	s	METAL, CHIP 1.0M 5% 1/10W (2125)
R714	1-216-121-00	s	METAL, CHIP 1.0M 5% 1/10W (2125)
R715	1-216-677-11	s	METAL, CHIP 12K 0.5% 1/10W (2125)
R716	1-216-675-11	s	METAL, CHIP 10K 0.5% 1/10W (2125)
R717	1-216-081-00	s	METAL, CHIP 22K 5% 1/10W (2125)
R718	1-208-800-11	s	METAL, CHIP 5.6K 0.5% 1/10W (2125)
R719	1-216-675-11	s	METAL, CHIP 10K 0.5% 1/10W (2125)
R721-724	1-216-667-11	s	METAL, CHIP 4.7K 0.5% 1/10W (2125)
R727	1-216-675-11	s	METAL, CHIP 10K 0.5% 1/10W (2125)
R728	1-216-675-11	s	METAL, CHIP 10K 0.5% 1/10W (2125)
R729	1-216-651-11	s	METAL, CHIP 1.0K 0.5% 1/10W (2125)
R730	1-216-675-11	s	METAL, CHIP 10K 0.5% 1/10W (2125)
R731	1-216-699-11	s	METAL, CHIP 100K 0.5% 1/10W (2125)
R732	1-216-675-11	s	METAL, CHIP 10K 0.5% 1/10W (2125)
R733	1-216-651-11	s	METAL, CHIP 1.0K 0.5% 1/10W (2125)
R734	1-216-699-11	s	METAL, CHIP 100K 0.5% 1/10W (2125)
R736	1-216-651-11	s	METAL, CHIP 1.0K 0.5% 1/10W (2125)
R739	1-216-619-11	s	METAL, CHIP 47 0.5% 1/10W (2125)
R740	1-216-619-11	s	METAL, CHIP 47 0.5% 1/10W (2125)
R741	1-216-699-11	s	METAL, CHIP 100K 0.5% 1/10W (2125)
R742	1-216-699-11	s	METAL, CHIP 100K 0.5% 1/10W (2125)
R743	1-216-675-11	s	METAL, CHIP 10K 0.5% 1/10W (2125)
R744	1-216-682-11	s	METAL, CHIP 20K 0.5% 1/10W (2125)
R745	1-208-817-11	s	METAL, CHIP 30K 0.5% 1/10W (2125)
R746	1-220-242-11	s	METAL, CHIP 22 5% 1/4W (3225)
R747	1-220-242-11	s	METAL, CHIP 22 5% 1/4W (3225)
R748	1-216-675-11	s	METAL, CHIP 10K 0.5% 1/10W (2125)
R749	1-216-675-11	s	METAL, CHIP 10K 0.5% 1/10W (2125)
R750	1-220-242-11	s	METAL, CHIP 22 5% 1/4W (3225)
R751	1-220-242-11	s	METAL, CHIP 22 5% 1/4W (3225)
R752	1-216-675-11	s	METAL, CHIP 10K 0.5% 1/10W (2125)
R753	1-216-675-11	s	METAL, CHIP 10K 0.5% 1/10W (2125)
R754-757	1-216-624-11	s	METAL, CHIP 75 0.5% 1/10W (2125)
R758	1-216-061-00	s	METAL, CHIP 3.3K 5% 1/10W (2125)
R759	1-216-639-11	s	METAL, CHIP 330 0.5% 1/10W (2125)
R760	1-216-073-00	s	METAL, CHIP 10K 5% 1/10W (2125)
R761	1-216-073-00	s	METAL, CHIP 10K 5% 1/10W (2125)
R762	1-216-295-00	s	METAL, CHIP 0 (2125)
R763	*e 1-215-445-00	s	METAL 10K 1% 1/4W
R801	1-216-699-11	s	METAL, CHIP 100K 0.5% 1/10W (2125)
R802	1-216-699-11	s	METAL, CHIP 100K 0.5% 1/10W (2125)
R803	1-208-814-11	s	METAL, CHIP 22K 0.5% 1/10W (2125)
R804-806	1-216-073-00	s	METAL, CHIP 10K 5% 1/10W (2125)

\*d: LOT No. 307 through 410  
 \*e: LOT No. 311 through 402



## (CUE-1 BOARD for DVW-500P)

Ref. No. or Q'ty	Part No.	SP	Description
R807	1-208-785-11	s	METAL, CHIP 1.3K 0.5% 1/10W
R808	1-216-635-11	s	METAL, CHIP 220 0.5% 1/10W (2125)
R809	1-216-295-00	s	METAL, CHIP 0 (2125)
R810	1-216-663-11	s	METAL, CHIP 3.3K 0.5% 1/10W
R811	1-216-663-11	s	METAL, CHIP 3.3K 0.5% 1/10W
R812	1-216-651-11	s	METAL, CHIP 1.0K 0.5% 1/10W
R813	1-216-655-11	s	METAL, CHIP 1.5K 0.5% 1/10W
R814	1-216-675-11	s	METAL, CHIP 10K 0.5% 1/10W (2125)
R815	1-216-657-11	s	METAL, CHIP 1.8K 0.5% 1/10W
R816	1-208-789-11	s	METAL, CHIP 2.0K 0.5% 1/10W
R817	1-216-675-11	s	METAL, CHIP 10K 0.5% 1/10W
R818	1-216-675-11	s	METAL, CHIP 10K 0.5% 1/10W (2125)
R819	1-216-617-11	s	METAL, CHIP 39 0.5% 1/10W (2125)
R820	1-208-817-11	s	METAL, CHIP 30K 0.5% 1/10W (2125)
R821	1-216-665-11	s	METAL, CHIP 3.9K 0.5% 1/10W
R822	1-208-774-11	s	METAL, CHIP 470 0.5% 1/10W (2125)
R823	1-208-799-11	s	METAL, CHIP 5.1K 0.5% 1/10W
R824	1-218-760-11	s	METAL, CHIP 220K 0.5% 1/10W
R825	1-216-121-00	s	METAL, CHIP 1.0M 5% 1/10W (2125)
R826	1-216-665-11	s	METAL, CHIP 3.9K 0.5% 1/10W
R827	1-216-665-11	s	METAL, CHIP 3.9K 0.5% 1/10W
R828	1-216-675-11	s	METAL, CHIP 10K 0.5% 1/10W (2125)
R829	1-216-675-11	s	METAL, CHIP 10K 0.5% 1/10W
R830-833	1-216-667-11	s	METAL, CHIP 4.7K 0.5% 1/10W
R870	*h 1-216-073-00	s	METAL, CHIP 10K 5% 1/10W (2125)
R872	*h 1-216-073-00	s	METAL, CHIP 10K 5% 1/10W (2125)
R876	*h 1-216-073-00	s	METAL, CHIP 10K 5% 1/10W (2125)
R878	*h 1-216-073-00	s	METAL, CHIP 10K 5% 1/10W (2125)
R880	*h 1-216-073-00	s	METAL, CHIP 10K 5% 1/10W (2125)
R882	*h 1-216-073-00	s	METAL, CHIP 10K 5% 1/10W (2125)
R884	*h 1-216-073-00	s	METAL, CHIP 10K 5% 1/10W (2125)
R886	*h 1-216-073-00	s	METAL, CHIP 10K 5% 1/10W (2125)
R888	*h 1-216-073-00	s	METAL, CHIP 10K 5% 1/10W (2125)
R892	*h 1-216-073-00	s	METAL, CHIP 10K 5% 1/10W (2125)
R896	*h 1-208-789-11	s	METAL, CHIP 2.0K 0.5% 1/10W
R901	*i 1-216-081-00	s	METAL, CHIP 22K 5% 1/10W (2125)
	*b 1-216-089-00	s	METAL, CHIP 47K 5% 1/10W (2125)
	*3 1-216-085-00	s	METAL, CHIP 33K 5% 1/10W (2125)
R903	*h 1-216-645-11	s	METAL, CHIP 560 0.5% 1/10W
	*3 1-208-775-11	s	METAL, CHIP 510 0.5% 1/10W
R904	*h 1-216-675-11	s	METAL, CHIP 10K 0.5% 1/10W
	*3 1-216-677-11	s	METAL, CHIP 12K 0.5% 1/10W
R910	1-220-273-11	s	METAL, CHIP 1.0K 5% 1/2W (4532)
R912	1-220-273-11	s	METAL, CHIP 1.0K 5% 1/2W (4532)
R920	*j 1-216-049-00	s	METAL, CHIP 1.0K 5% 1/10W (2125)
R921	*j 1-216-069-00	s	METAL, CHIP 6.8K 5% 1/10W (2125)
R922	*j 1-216-073-00	s	METAL, CHIP 10K 5% 1/10W (2125)
R923	*j 1-216-089-00	s	METAL, CHIP 47K 5% 1/10W (2125)
R924	*j 1-216-073-00	s	METAL, CHIP 10K 5% 1/10W (2125)
R990	*k 1-216-295-00	s	METAL, CHIP 0 (2125)
R992	*k 1-216-295-00	s	METAL, CHIP 0 (2125)
R994	*k 1-216-295-00	s	METAL, CHIP 0 (2125)
R996	*k 1-216-295-00	s	METAL, CHIP 0 (2125)
R997	*k 1-216-295-00	s	METAL, CHIP 0 (2125)

-----  
 \*3: Board No. suffix 31 only  
 \*7: LOT No. 303 through 502  
 \*b: LOT No. 307 through 312  
 \*h: Board No. suffix 32 or higher

## (CUE-1 BOARD for DVW-500P)

Ref. No. or Q'ty	Part No.	SP	Description
RV100	1-237-038-11	s	RES, ADJ, CERMET 50K
RV102	1-237-036-11	s	RES, ADJ, CERMET 10K
RV103	1-237-037-11	s	RES, ADJ, CERMET 20K
RV104	1-237-037-11	s	RES, ADJ, CERMET 20K
RV114	1-237-037-11	s	RES, ADJ, CERMET 20K
RV120	1-237-033-11	s	RES, ADJ, CERMET 1K
RV121	1-237-033-11	s	RES, ADJ, CERMET 1K
RV122	1-237-037-11	s	RES, ADJ, CERMET 20K
RV400	1-237-033-11	s	RES, ADJ, CERMET 1K
RV401	*m 1-237-033-11	s	RES, ADJ, CERMET 1K
	*7 1-237-036-11	s	RES, ADJ, CERMET 10K
RV500	1-237-038-11	s	RES, ADJ, CERMET 50K
RV502	1-237-035-11	s	RES, ADJ, CERMET 5K
RV700	1-237-033-11	s	RES, ADJ, CERMET 1K
RV801	1-237-036-11	s	RES, ADJ, CERMET 10K
RV901	*i 1-237-038-11	s	RES, ADJ, CERMET 50K
	*b 1-237-037-11	s	RES, ADJ, CERMET 20K
	*3 1-237-037-11	s	RES, ADJ, CERMET 20K
RY700	1-515-716-11	s	RELAY TQ2-5V
RY801	1-515-716-11	s	RELAY TQ2-5V
S102	1-570-602-11	s	SWITCH, DIP 2-CKT
T500	1-433-326-11	s	TRANSFORMER, BIAS OSC 134 kHz
T501	1-424-511-11	s	TRANSFORMER, FE
T502	1-424-511-11	s	TRANSFORMER, FE
T503	1-424-511-11	s	TRANSFORMER, FE
TH100	1-810-106-11	s	THERMISTOR, POSITIVE, CHIP
TH101	1-810-106-11	s	THERMISTOR, POSITIVE, CHIP
X500	1-577-101-11	s	RESONATOR, CERAMIC 4.19 MHz

-----  
 \*i: LOT No. 401 or higher  
 \*j: Board No. suffix 33 or higher  
 \*k: LOT No. 411 or higher  
 \*m: LOT No. 502 or higher

-----  
 CUE-IAP BOARD for DVW-A500P  
 -----

Ref. No. or Q'ty	Part No.	SP Description
1pc	A-8275-081-A	o MOUNTED CIRCUIT BOARD, CUE-IAP (For Europa model)
	A-8275-272-A	o MOUNTED CIRCUIT BOARD, CUE-IAPG (For USA and Canada models)
1pc	3-171-455-01	o PLATE (S), SHIELD, CARD
1pc	3-171-456-02	o SHEET (S), CARD
1pc	3-179-084-01	s LEVER (R), PC BOARD
1pc	3-179-085-01	s LEVER (L), PC BOARD
1pc	7-682-902-11	s SCREW +PWH 2.6x5
2pcs	3-182-014-02	o MAIN, CUE SHIELD CASE
C100	*j 1-126-394-11	s ELECT, CHIP 10uF 20% 16V
	*3 1-126-401-11	s ELECT, CHIP 1.0uF 20% 50V
C101	1-126-394-11	s ELECT, CHIP 10uF 20% 16V
C102	*h 1-163-125-00	s CERAMIC, CHIP 220pF 5% 50V (2125)
	*3 1-163-235-11	s CERAMIC, CHIP 22pF 5% 50V (2125)
C103	1-135-212-21	s TANTALUM, CHIP 2.2uF 10% 35V
C104	1-163-033-00	s CERAMIC, CHIP 0.022uF 50V (2125)
C105	1-135-159-21	s TANTALUM, CHIP 10uF 20% 20V
C106	1-104-545-11	s FILM, CHIP 0.0033uF 5% 16V (2125)
C107	1-104-545-11	s FILM, CHIP 0.0033uF 5% 16V (2125)
C108	*j 1-107-553-11	s FILM, CHIP 0.0056uF 2% 16V
	*5 1-104-546-11	s FILM, CHIP 0.0039uF 5% 16V (2125)
C109	1-163-235-11	s CERAMIC, CHIP 22pF 5% 50V (2125)
C110	1-104-557-11	s FILM, CHIP 0.033uF 5% 16V (3216)
C111	*h 1-126-394-11	s ELECT, CHIP 10uF 20% 16V
C112	1-163-235-11	s CERAMIC, CHIP 22pF 5% 50V (2125)
C113-115	1-126-394-11	s ELECT, CHIP 10uF 20% 16V
C116	1-163-243-11	s CERAMIC, CHIP 47pF 5% 50V (2125)
C117	1-163-263-11	s CERAMIC, CHIP 330pF 5% 50V (2125)
C118	1-163-239-11	s CERAMIC, CHIP 33pF 5% 50V (2125)
C119	1-136-439-11	s FILM 330pF 5% 630V
C120	1-126-394-11	s ELECT, CHIP 10uF 20% 16V
C121	1-135-161-21	s TANTALUM, CHIP 22uF 10% 10V
C122	*h 1-104-957-11	s ELECT 47uF 20% 25V
C123	1-104-957-11	s ELECT 47uF 20% 25V
C124	*h 1-104-957-11	s ELECT 47uF 20% 25V
C125	*h 1-163-033-00	s CERAMIC, CHIP 0.022uF 50V (2125)
C126	1-163-133-00	s CERAMIC, CHIP 470pF 5% 50V (2125)
C127	1-163-135-00	s CERAMIC, CHIP 560pF 5% 50V (2125)
C128	1-163-033-00	s CERAMIC, CHIP 0.022uF 50V (2125)
C129	1-104-957-11	s ELECT 47uF 20% 25V
C130	1-163-113-00	s CERAMIC, CHIP 68pF 5% 50V (2125)
C131	1-163-243-11	s CERAMIC, CHIP 47pF 5% 50V (2125)
C132	1-163-113-00	s CERAMIC, CHIP 68pF 5% 50V (2125)
C133	1-163-243-11	s CERAMIC, CHIP 47pF 5% 50V (2125)
C134	1-126-394-11	s ELECT, CHIP 10uF 20% 16V
C135	1-135-166-21	s TANTALUM, CHIP 47uF 10% 10V
C136	1-135-166-21	s TANTALUM, CHIP 47uF 10% 10V
C137	1-104-553-11	s FILM, CHIP 0.015uF 5% 16V (3216)
C138	1-104-553-11	s FILM, CHIP 0.015uF 5% 16V (3216)
C139	1-163-125-00	s CERAMIC, CHIP 220pF 5% 50V
C140	1-163-125-00	s CERAMIC, CHIP 220pF 5% 50V (2125)
C141-144	1-126-394-11	s ELECT, CHIP 10uF 20% 16V
C145	1-163-275-11	s CERAMIC, CHIP 1000pF 5% 50V
	(*3)1-163-137-00	s CERAMIC, CHIP 680pF 5% 50V

-----  
 \*3: Board No. suffix 11 only  
 \*5: Board No. suffix 11 or 12  
 \*6: LOT No. 302 through 410

(CUE-IAP BOARD for DVW-A500P)

Ref. No. or Q'ty	Part No.	SP Description
C146	1-163-275-11	s CERAMIC, CHIP 1000pF 5% 50V (2125)
	(*3)1-163-137-00	s CERAMIC, CHIP 680pF 5% 50V (2125)
C147	1-104-549-11	s FILM, CHIP 0.0068uF 5% 16V (2125)
C148	1-104-549-11	s FILM, CHIP 0.0068uF 5% 16V (2125)
C149-154	1-126-394-11	s ELECT, CHIP 10uF 20% 16V
C155	1-104-561-11	s FILM, CIHP 0.068uF 5% 16V (3225)
C156	1-104-561-11	s FILM, CIHP 0.068uF 5% 16V (3225)
C157	1-163-251-11	s CERAMIC, CHIP 100pF 5% 50V (2125)
C158	1-163-243-11	s CERAMIC, CHIP 47pF 5% 50V (2125)
C159	1-126-394-11	s ELECT, CHIP 10uF 20% 16V
C161	1-104-555-11	s FILM, CHIP 0.022uF 5% 16V (3216)
C162	1-104-555-11	s FILM, CHIP 0.022uF 5% 16V (3216)
C163	1-104-556-11	s FILM, CHIP 0.027uF 5% 16V (3216)
C164	1-104-556-11	s FILM, CHIP 0.027uF 5% 16V (3216)
C165	1-104-555-11	s FILM, CHIP 0.022uF 5% 16V (3216)
C166	1-104-555-11	s FILM, CHIP 0.022uF 5% 16V (3216)
C167	1-163-235-11	s CERAMIC, CHIP 22pF 5% 50V (2125)
C168	1-124-667-11	s ELECT 10uF 20% 100V
C169	1-124-667-11	s ELECT 10uF 20% 100V
C170	1-163-033-00	s CERAMIC, CHIP 0.022uF 50V (2125)
C171	1-163-033-00	s CERAMIC, CHIP 0.022uF 50V (2125)
C172	*h 1-163-033-00	s CERAMIC, CHIP 0.022uF 50V (2125)
C173	1-104-957-11	s ELECT 47uF 20% 25V
C174	1-104-957-11	s ELECT 47uF 20% 25V
C175-177	1-163-033-00	s CERAMIC, CHIP 0.022uF 50V (2125)
C178	1-126-394-11	s ELECT, CHIP 10uF 20% 16V
C179	1-136-275-11	s FILM 390pF 5% 630V
C180	1-135-161-21	s TANTALUM, CHIP 22uF 10% 10V
C181	1-126-394-11	s ELECT, CHIP 10uF 20% 16V
C182	1-126-392-11	s ELECT, CHIP 100uF 20% 6.3V
C183	1-163-235-11	s CERAMIC, CHIP 22pF 5% 50V (2125)
C184	1-163-033-00	s CERAMIC, CHIP 0.022uF 50V (2125)
C185	1-126-394-11	s ELECT, CHIP 10uF 20% 16V
C186	1-163-251-11	s CERAMIC, CHIP 100pF 5% 50V (2125)
C187	1-104-957-11	s ELECT 47uF 20% 25V
C188	*h 1-163-235-11	s CERAMIC, CHIP 22pF 5% 50V (2125)
C189	1-163-243-11	s CERAMIC, CHIP 47pF 5% 50V (2125)
C190	1-163-033-00	s CERAMIC, CHIP 0.022uF 50V (2125)
C191	1-104-957-11	s ELECT 47uF 20% 25V
C192	1-163-033-00	s CERAMIC, CHIP 0.022uF 50V (2125)
C193	1-104-539-11	s FILM, CHIP 0.001uF 5% 50V (2125)
C194	1-104-543-11	s FILM, CHIP 0.0022uF 5% 50V (2125)
C195-198	1-163-251-11	s CERAMIC, CHIP 100pF 5% 50V (2125)
C200	1-163-251-11	s CERAMIC, CHIP 100pF 5% 50V (2125)
C201	1-126-394-11	s ELECT, CHIP 10uF 20% 16V
C202	*3 1-126-394-11	s ELECT, CHIP 10uF 20% 16V
C203	1-163-251-11	s CERAMIC, CHIP 100pF 5% 50V (2125)
C204	1-163-251-11	s CERAMIC, CHIP 100pF 5% 50V (2125)
C205	1-126-394-11	s ELECT, CHIP 10uF 20% 16V
C340	*6 1-126-395-11	s ELECT, CHIP 22uF 20% 16V
C342	*6 1-163-033-00	s CERAMIC, CHIP 0.022uF 50V (2125)
C343	*6 1-126-395-11	s ELECT, CHIP 22uF 20% 16V
C400	1-124-667-11	s ELECT 10uF 20% 100V
C401	1-124-667-11	s ELECT 10uF 20% 100V
C403	1-163-033-00	s CERAMIC, CHIP 0.022uF 50V (2125)
C404	1-163-033-00	s CERAMIC, CHIP 0.022uF 50V (2125)

-----  
 \*h: Board No. suffix 12 or higher  
 \*j: Board No. suffix 13 or higher  
 (\*?): Some Mounted circuit boards within specified “\*?”

## (CUE-1AP BOARD for DVW-A500P)

Ref. No. or Q'ty	Part No.	SP	Description
C405	1-163-227-11	s	CERAMIC, CHIP 10pF 5% 50V (2125)
C406	1-104-957-11	s	ELECT 47uF 20% 25V
C407	1-104-957-11	s	ELECT 47uF 20% 25V
C408	1-163-033-00	s	CERAMIC, CHIP 0.022uF 50V (2125)
C409	1-163-033-00	s	CERAMIC, CHIP 0.022uF 50V (2125)
C410	1-126-394-11	s	ELECT, CHIP 10uF 20% 16V
C411	1-126-394-11	s	ELECT, CHIP 10uF 20% 16V
C412	1-126-392-11	s	ELECT, CHIP 100uF 20% 6.3V
C413	1-104-551-11	s	FILM, CHIP 0.01uF 5% 16V (2125)
C414	1-163-251-11	s	CERAMIC, CHIP 100pF 5% 50V (2125)
C415	1-126-394-11	s	ELECT, CHIP 10uF 20% 16V
C416	1-163-137-00	s	CERAMIC, CHIP 680pF 5% 50V (2125)
C417	1-164-232-11	s	CERAMIC, CHIP 0.01uF 10% 100V
C418	*m 1-204-760-11	s	CERAMIC, CHIP 0.047uF 10% 50V
	*7 1-164-182-11	s	CERAMIC, CHIP 0.033uF 10% 50V
C419	1-164-232-11	s	CERAMIC, CHIP 0.01uF 10% 100V
C420	1-126-394-11	s	ELECT, CHIP 10uF 20% 16V
C421	1-163-809-11	s	CERAMIC, CHIP 0.047uF 10% 25V
C422	1-163-034-00	s	CERAMIC, CHIP 0.033uF 50V (2125)
C423	1-163-113-00	s	CERAMIC, CHIP 68pF 5% 50V (2125)
C424	1-126-394-11	s	ELECT, CHIP 10uF 20% 16V
C433	1-163-033-00	s	CERAMIC, CHIP 0.022uF 50V (2125)
C501	1-164-489-11	s	CERAMIC, CHIP 0.22uF 10% 16V
C502	1-163-033-00	s	CERAMIC, CHIP 0.022uF 50V (2125)
C506	1-163-033-00	s	CERAMIC, CHIP 0.022uF 50V (2125)
C507	1-164-695-11	s	CERAMIC, CHIP 2200pF 5% 50V
C508	1-164-695-11	s	CERAMIC, CHIP 2200pF 5% 50V
C510	*6 1-126-401-11	s	ELECT, CHIP 1.0uF 20% 50V
C511	1-104-797-11	s	ELECT 0.47uF 20% 100V
C512	1-136-804-11	s	FILM 680pF 5% 630V
C513	1-164-489-11	s	CERAMIC, CHIP 0.22uF 10% 16V
C514	1-164-489-11	s	CERAMIC, CHIP 0.22uF 10% 16V
C516	1-135-092-21	s	TANTALUM, CHIP 3.3uF 10% 16V
C517	1-124-122-11	s	ELECT 100uF 20% 50V
C518	1-124-122-11	s	ELECT 100uF 20% 50V
C519-524	1-163-017-00	s	CERAMIC, CHIP 4700pF 10% 50V
C525	1-164-232-11	s	CERAMIC, CHIP 0.01uF 10% 100V
C526	1-164-182-11	s	CERAMIC, CHIP 0.033uF 10% 50V
C527	1-164-005-11	s	CERAMIC, CHIP 0.47uF 25V (2125)
C530	1-104-797-11	s	ELECT 0.47uF 20% 100V
C531	1-104-797-11	s	ELECT 0.47uF 20% 100V
C532-534	1-136-562-11	s	FILM 0.0082uF 5% 630V
C535	*6 1-163-222-11	s	CERAMIC, CHIP 5pF 50V (2125)
C536	*6 1-163-222-11	s	CERAMIC, CHIP 5pF 50V (2125)
C537	*6 1-163-227-11	s	CERAMIC, CHIP 10pF 5% 50V (2125)
C538	1-163-235-11	s	CERAMIC, CHIP 22pF 5% 50V (2125)
C539	1-163-033-00	s	CERAMIC, CHIP 0.022uF 50V (2125)
C540	1-163-243-11	s	CERAMIC, CHIP 47pF 5% 50V (2125)
C541	*6 1-126-401-11	s	ELECT, CHIP 1.0uF 20% 50V
C542	*6 1-163-227-11	s	CERAMIC, CHIP 10pF 5% 50V (2125)
C543	*6 1-126-401-11	s	ELECT, CHIP 1.0uF 20% 50V
C544	*6 1-163-227-11	s	CERAMIC, CHIP 10pF 5% 50V (2125)
C545	*6 1-126-401-11	s	ELECT, CHIP 1.0uF 20% 50V
C547	1-163-033-00	s	CERAMIC, CHIP 0.022uF 50V (2125)
C552	1-163-033-00	s	CERAMIC, CHIP 0.022uF 50V (2125)
C553	1-164-232-11	s	CERAMIC, CHIP 0.01uF 10% 100V

-----  
 \*6: LOT No. 302 through 410  
 \*8: LOT No. 303 through 306  
 \*7: LOT No. 302 through 410 of CUE-1AP mounted circuit board  
 LOT No. 305 through 502 of CUE-1APG mounted circuit board

## (CUE-1AP BOARD for DVW-A500P)

Ref. No. or Q'ty	Part No.	SP	Description
C554	1-164-232-11	s	CERAMIC, CHIP 0.01uF 10% 100V (2125)
C555	1-163-033-00	s	CERAMIC, CHIP 0.022uF 50V (2125)
C556	1-163-033-00	s	CERAMIC, CHIP 0.022uF 50V (2125)
C557	1-164-232-11	s	CERAMIC, CHIP 0.01uF 10% 100V (2125)
C558	1-164-232-11	s	CERAMIC, CHIP 0.01uF 10% 100V (2125)
C700	1-126-396-11	s	ELECT, CHIP 47uF 20% 16V
C701	1-163-037-11	s	CERAMIC, CHIP 0.022uF 10% 25V (2125)
C702	1-163-251-11	s	CERAMIC, CHIP 100pF 5% 50V (2125)
C703	1-126-395-11	s	ELECT, CHIP 22uF 20% 16V
C704	1-126-395-11	s	ELECT, CHIP 22uF 20% 16V
C705	1-163-243-11	s	CERAMIC, CHIP 47pF 5% 50V (2125)
C706	1-163-235-11	s	CERAMIC, CHIP 22pF 5% 50V (2125)
C707	1-163-235-11	s	CERAMIC, CHIP 22pF 5% 50V (2125)
C708	1-126-395-11	s	ELECT, CHIP 22uF 20% 16V
C709	1-126-395-11	s	ELECT, CHIP 22uF 20% 16V
C711	1-163-251-11	s	CERAMIC, CHIP 100pF 5% 50V (2125)
C712	1-163-251-11	s	CERAMIC, CHIP 100pF 5% 50V (2125)
C713	1-126-395-11	s	ELECT, CHIP 22uF 20% 16V
C714	1-126-395-11	s	ELECT, CHIP 22uF 20% 16V
C715	1-163-222-11	s	CERAMIC, CHIP 5pF 50V (2125)
C716	1-124-122-11	s	ELECT 100uF 20% 50V
C717	1-124-122-11	s	ELECT 100uF 20% 50V
C718	1-104-539-11	s	FILM, CHIP 0.001uF 5% 50V (2125)
C719	1-124-667-11	s	ELECT 10uF 20% 100V
C720	1-163-033-00	s	CERAMIC, CHIP 0.022uF 50V (2125)
C721	1-124-667-11	s	ELECT 10uF 20% 100V
C722	1-124-667-11	s	ELECT 10uF 20% 100V
C800	1-163-251-11	s	CERAMIC, CHIP 100pF 5% 50V (2125)
C801	1-126-098-11	s	ELECT 22uF 20% 35V
C802	1-126-098-11	s	ELECT 22uF 20% 35V
C803	1-163-251-11	s	CERAMIC, CHIP 100pF 5% 50V (2125)
C804	1-163-251-11	s	CERAMIC, CHIP 100pF 5% 50V (2125)
C805	1-104-792-51	s	ELECT 33uF 20% 50V
C806	1-104-792-51	s	ELECT 33uF 20% 50V
C807	1-163-251-11	s	CERAMIC, CHIP 100pF 5% 50V (2125)
C809	1-126-395-11	s	ELECT, CHIP 22uF 20% 16V
C810	1-163-251-11	s	CERAMIC, CHIP 100pF 5% 50V (2125)
C811	1-163-251-11	s	CERAMIC, CHIP 100pF 5% 50V (2125)
C812	1-126-395-11	s	ELECT, CHIP 22uF 20% 16V
C901	1-104-539-11	s	FILM, CHIP 0.001uF 5% 50V (2125)
C902	1-104-539-11	s	FILM, CHIP 0.001uF 5% 50V (2125)
C903	1-104-555-11	s	FILM, CHIP 0.022uF 5% 16V (3216)
C910	1-126-336-11	s	ELECT 220uF 20% 25V
C911	1-126-336-11	s	ELECT 220uF 20% 25V
C920	1-163-033-00	s	CERAMIC, CHIP 0.022uF 50V (2125)
C921	1-163-033-00	s	CERAMIC, CHIP 0.022uF 50V (2125)
C922	1-124-667-11	s	ELECT 10uF 20% 100V
C923	1-124-667-11	s	ELECT 10uF 20% 100V
C930	*j 1-126-395-11	s	ELECT, CHIP 22uF 20% 16V
	*c 1-126-394-11	s	ELECT, CHIP 10uF 20% 16V
	*8 1-126-163-11	s	ELECT 4.7uF 20% 50V
CN105	1-750-795-21	s	CONNECTOR, PHEC 120P, MALE
CN900	1-506-471-11	s	CONNECTOR, 6P, MALE
CN901	1-564-005-11	o	CONNECTOR, 6P, MALE
CN902	1-564-002-11	s	CONNECTOR, 3P, MALE
CN903	1-506-468-11	s	CONNECTOR, 3P, MALE

-----  
 \*c: LOT No. 307 through 402  
 \*j: Board No. suffix 13 or higher  
 \*m: LOT No. 411 or higher of CUE-1AP mounted circuit board  
 LOT No. 503 or higher of CUE-1APG mounted circuit board

## (CUE-1AP BOARD for DVW-A500P)

Ref. No. or Q'ty	Part No.	SP Description
D100	*6 8-719-941-23	s DIODE DA204U
D101	8-719-941-23	s DIODE DA204U
D102	8-719-941-23	s DIODE DA204U
D103	*6 8-719-941-23	s DIODE DA204U
D105	8-719-941-23	s DIODE DA204U
D106	8-719-941-23	s DIODE DA204U
D107	*6 8-719-941-23	s DIODE DA204U
D108	8-719-941-23	s DIODE DA204U
D310	*6 8-719-123-82	s DIODE 1SS303
D311	*6 8-719-123-82	s DIODE 1SS303
D400	8-719-404-35	s DIODE MA141WK
D401	8-719-024-81	s DIODE 1SS300
D402	*6 8-719-123-82	s DIODE 1SS303
D403-405	8-719-024-81	s DIODE 1SS300
D406	*j 8-719-941-23	s DIODE DA204U
D407	8-719-024-81	s DIODE 1SS300
D411	8-719-941-04	s DIODE SB007-03CP
D412	(*5)8-719-911-19	s DIODE 1SS119
D413	(*5)8-719-911-19	s DIODE 1SS119
D501	8-719-024-81	s DIODE 1SS300
D502	*6 8-719-941-23	s DIODE DA204U
D504	8-719-024-81	s DIODE 1SS300
D505	8-719-024-81	s DIODE 1SS300
D507	*6 8-719-941-23	s DIODE DA204U
D508	*6 8-719-941-23	s DIODE DA204U
D509	*6 8-719-941-23	s DIODE DA204U
D700	8-719-941-23	s DIODE DA204U
D701	8-719-024-81	s DIODE 1SS300
D710	8-719-068-64	s DIODE MA143A
D720	8-719-068-64	s DIODE MA143A
D801	8-719-024-81	s DIODE 1SS300
D802-805	8-719-068-64	s DIODE MA143A
D806	8-719-941-23	s DIODE DA204U
D900	*n 8-719-941-04	s DIODE SB007-03CP
IC101	8-759-112-66	s IC UPC812G2
IC102	8-759-112-66	s IC UPC812G2
IC103	*h 8-759-988-97	s IC DBX2155
	*2 8-759-603-82	s IC M5241L
IC104	8-759-988-97	s IC DBX2155
IC105	8-759-106-02	s IC UPC4570G2
IC106	8-759-106-02	s IC UPC4570G2
IC107	8-759-194-97	s IC NJM4560MD-TE2
IC108	8-759-106-02	s IC UPC4570G2
IC109	8-759-106-02	s IC UPC4570G2
IC110	8-759-512-08	s IC NJM2068M-D
IC111	8-759-512-08	s IC NJM2068M-D
IC112	8-759-106-02	s IC UPC4570G2
IC113	8-759-106-02	s IC UPC4570G2
IC116	8-759-106-02	s IC UPC4570G2
IC117	*j 8-759-112-66	s IC UPC812G2
	*a 8-759-908-16	s IC TL072CPS
	*2 8-759-908-17	s IC TL082CPS
IC118	8-759-446-74	s IC TA79L05F
IC119	8-759-106-02	s IC UPC4570G2
IC320	8-759-106-02	s IC UPC4570G2

## (CUE-1AP BOARD for DVW-A500P)

Ref. No. or Q'ty	Part No.	SP Description
IC321	*6 8-759-700-07	s IC NJM2903M
IC322	*6 8-759-673-39	s IC MM74HC02SJX
IC324	*6 8-759-700-07	s IC NJM2903M
IC400	8-759-194-97	s IC NJM4560MD-TE2
IC401	8-759-234-08	s IC TA78L05F
IC402	8-759-446-74	s IC TA79L05F
IC403	8-759-673-39	s IC MM74HC02SJX
IC404	8-759-637-09	s IC M5238FP-722
IC405	8-759-106-02	s IC UPC4570G2
IC406	8-759-908-17	s IC TL082CPS
IC407	8-759-700-07	s IC NJM2903M
IC500	8-759-927-29	s IC SN74HCU04ANS
IC501	8-759-673-39	s IC MM74HC02SJX
IC502	8-759-453-43	s IC TC74HC4024AF (EL)
IC503	8-759-673-45	s IC MM74HC08SJX
IC504	*6 8-759-710-28	s IC NJM4565M-A
IC505	8-759-239-34	s IC TC74HC4538AF
IC506	8-759-673-45	s IC MM74HC08SJX
IC508	8-759-236-43	s IC TC74HC163AF(EL)
IC509	*6 8-759-700-07	s IC NJM2903M
IC510	8-759-927-29	s IC SN74HCU04ANS
IC511	*6 8-759-106-02	s IC UPC4570G2
IC512	*6 8-759-106-02	s IC UPC4570G2
IC513	*6 8-759-700-07	s IC NJM2903M
IC515	8-759-239-55	s IC TC74HC123AF
IC516	8-759-925-99	s IC SN74HC109ANS
IC517	8-759-239-55	s IC TC74HC123AF
IC700	8-759-106-02	s IC UPC4570G2
IC701	8-759-908-17	s IC TL082CPS
IC702	8-759-106-02	s IC UPC4570G2
IC703	8-759-700-45	s IC NJM4556M-A
IC704	8-759-521-14	s IC NJM5532S-D
IC705	8-759-521-14	s IC NJM5532S-D
IC706	8-759-710-28	s IC NJM4565M-A
IC801	8-759-700-07	s IC NJM2903M
IC802	8-759-700-84	s IC NJM2041M-D
IC803	8-759-106-02	s IC UPC4570G2
L500-503	1-412-533-21	s INDUCTOR 47uH
LV100	1-410-934-21	s COIL, VAR 7.1uH
LV101	1-410-934-21	s COIL, VAR 7.1uH
LV102	1-459-411-00	s COIL, VAR 18mH
LV500	1-414-007-11	s COIL, VAR 1.5uH
LV501	1-414-007-11	s COIL, VAR 1.5uH
PS101	Δ 1-532-679-00	s LINK, IC 0.6A
PS102	Δ 1-532-679-00	s LINK, IC 0.6A
PS501	Δ 1-532-727-11	s LINK, IC 0.25A
PS502	Δ 1-532-605-00	s LINK, IC 0.4A
PS503	Δ 1-532-605-00	s LINK, IC 0.4A
PS504	Δ 1-532-605-00	s LINK, IC 0.4A
Q100	*6 8-729-203-30	s TRANSISTOR 2SJ106-Y
Q101	*6 8-729-205-38	s TRANSISTOR 2SK208-Y
Q102	8-729-209-07	s TRANSISTOR 2SC4213-B
Q103	8-729-205-38	s TRANSISTOR 2SK208-Y
Q104	8-729-203-30	s TRANSISTOR 2SJ106-Y

-----  
 \*2: LOT No. 302 through 305  
 \*5: Board No. suffix 11 or 12  
 \*6: LOT No. 302 through 410  
 \*a: LOT No. 306 through 402

-----  
 \*h: Board No. suffix 12 or higher  
 \*j: Board No. suffix 13 or higher  
 \*n: LOT No. 309 or higher  
 (\*?): Some Mounted circuit boards within specified “\*?”

## (CUE-1AP BOARD for DVW-A500P)

Ref. No. or Q'ty	Part No.	SP	Description
Q105	8-729-209-07	s	TRANSISTOR 2SC4213-B
Q106-110	8-729-109-44	s	TRANSISTOR 2SK94
Q111	*j 8-729-109-44	s	TRANSISTOR 2SK94
Q113	*j 8-729-109-44	s	TRANSISTOR 2SK94
Q115	8-729-109-44	s	TRANSISTOR 2SK94
Q116	8-729-109-44	s	TRANSISTOR 2SK94
Q118-125	8-729-209-07	s	TRANSISTOR 2SC4213-B
Q133	8-729-209-07	s	TRANSISTOR 2SC4213-B
Q134	8-729-209-07	s	TRANSISTOR 2SC4213-B
Q135	8-729-109-44	s	TRANSISTOR 2SK94
Q136	8-729-109-44	s	TRANSISTOR 2SK94
Q402	8-729-209-07	s	TRANSISTOR 2SC4213-B
Q403	8-729-209-07	s	TRANSISTOR 2SC4213-B
Q404	8-729-109-44	s	TRANSISTOR 2SK94
Q405-407	8-729-209-07	s	TRANSISTOR 2SC4213-B
Q408	8-729-905-12	s	TRANSISTOR DTA144EU
Q409	8-729-905-12	s	TRANSISTOR DTA144EU
Q410	8-729-905-18	s	TRANSISTOR DTC144EU
Q411	8-729-140-63	s	TRANSISTOR 2SA1611-M5M6
Q412	*6 8-729-905-18	s	TRANSISTOR DTC144EU
Q413	*6 8-729-140-63	s	TRANSISTOR 2SA1611-M5M6
Q415	8-729-905-18	s	TRANSISTOR DTC144EU
Q416	8-729-140-63	s	TRANSISTOR 2SA1611-M5M6
Q417	8-729-905-18	s	TRANSISTOR DTC144EU
Q418	8-729-140-63	s	TRANSISTOR 2SA1611-M5M6
Q419	8-729-905-18	s	TRANSISTOR DTC144EU
Q420	8-729-140-63	s	TRANSISTOR 2SA1611-M5M6
Q423	8-729-905-18	s	TRANSISTOR DTC144EU
Q424	8-729-140-63	s	TRANSISTOR 2SA1611-M5M6
Q425	8-729-905-12	s	TRANSISTOR DTA144EU
Q429	8-729-905-18	s	TRANSISTOR DTC144EU
Q500	8-729-905-18	s	TRANSISTOR DTC144EU
Q501	8-729-140-63	s	TRANSISTOR 2SA1611-M5M6
Q502	8-729-117-11	s	TRANSISTOR 2SB1151-L
Q503	8-729-117-32	s	TRANSISTOR 2SC4177-L6
Q507	8-729-212-02	s	TRANSISTOR 2SC2120-Y
Q508	8-729-212-02	s	TRANSISTOR 2SC2120-Y
Q509-511	8-729-905-18	s	TRANSISTOR DTC144EU
Q512-514	8-729-140-63	s	TRANSISTOR 2SA1611-M5M6
Q515-517	8-729-117-11	s	TRANSISTOR 2SB1151-L
Q518-520	8-729-117-32	s	TRANSISTOR 2SC4177-L6
Q521	8-729-140-63	s	TRANSISTOR 2SA1611-M5M6
Q522	8-729-209-07	s	TRANSISTOR 2SC4213-B
Q523	8-729-159-65	s	TRANSISTOR 2SD596-DV5
Q524	8-729-159-65	s	TRANSISTOR 2SD596-DV5
Q525	8-729-140-98	s	TRANSISTOR 2SD773-34
Q526	8-729-140-98	s	TRANSISTOR 2SD773-34
Q527	8-729-209-07	s	TRANSISTOR 2SC4213-B
Q528	8-729-140-98	s	TRANSISTOR 2SD773-34
Q529	8-729-140-98	s	TRANSISTOR 2SD773-34
Q531	8-729-905-18	s	TRANSISTOR DTC144EU
Q540	*j 8-729-905-18	s	TRANSISTOR DTC144EU
Q700	8-729-109-44	s	TRANSISTOR 2SK94
Q701	8-729-905-12	s	TRANSISTOR DTA144EU
Q702	8-729-117-32	s	TRANSISTOR 2SC4177-L6
Q801	8-729-140-63	s	TRANSISTOR 2SA1611-M5M6

\*2: LOT No. 302 through 305  
 \*3: Board No. suffix 11 only  
 \*5: Board No. suffix 11 or 12  
 \*6: LOT No. 302 through 410

## (CUE-1AP BOARD for DVW-A500P)

Ref. No. or Q'ty	Part No.	SP	Description
Q901	8-729-143-30	s	TRANSISTOR 2SD1691K
Q902	8-729-117-11	s	TRANSISTOR 2SB1151-L
Q903	8-759-245-45	s	IC TA78L09F
Q904	8-759-068-03	s	IC NJM79L09UA
Q905	*j 8-729-140-63	s	TRANSISTOR 2SA1611-M5M6
Q906	*j 8-729-109-44	s	TRANSISTOR 2SK94
R100	1-216-025-00	s	METAL, CHIP 100 5% 1/10W (2125)
R101	*j 1-216-089-00	s	METAL, CHIP 47K 5% 1/10W (2125)
R102	1-216-025-00	s	METAL, CHIP 100 5% 1/10W (2125)
R103	1-208-801-11	s	METAL, CHIP 6.2K 0.5% 1/10W (2125)
R104	1-216-121-00	s	METAL, CHIP 1.0M 5% 1/10W (2125)
R105	1-216-121-00	s	METAL, CHIP 1.0M 5% 1/10W (2125)
R106	*h 1-208-801-11	s	METAL, CHIP 6.2K 0.5% 1/10W (2125)
	*3 1-216-651-11	s	METAL, CHIP 1.0K 0.5% 1/10W (2125)
R107	1-216-651-11	s	METAL, CHIP 1.0K 0.5% 1/10W (2125)
R108	*j 1-216-097-00	s	METAL, CHIP 100K 5% 1/10W (2125)
R109	*h 1-216-068-00	s	METAL, CHIP 6.2K 5% 1/10W (2125)
	*3 1-216-067-00	s	METAL, CHIP 5.6K 5% 1/10W (2125)
R110	1-216-049-00	s	METAL, CHIP 1.0K 5% 1/10W (2125)
R111	*h 1-216-101-00	s	METAL, CHIP 150K 5% 1/10W (2125)
R112	*h 1-208-774-11	s	METAL, CHIP 470 0.5% 1/10W (2125)
	*3 1-216-661-11	s	METAL, CHIP 2.7K 0.5% 1/10W (2125)
R113	1-216-025-00	s	METAL, CHIP 100 5% 1/10W (2125)
R114	*h 1-216-049-00	s	METAL, CHIP 1.0K 5% 1/10W (2125)
	*2 1-208-812-11	s	METAL, CHIP 18K 0.5% 1/10W (2125)
R115	*h 1-208-785-11	s	METAL, CHIP 1.3K 0.5% 1/10W (2125)
	*3 1-216-645-11	s	METAL, CHIP 560 0.5% 1/10W (2125)
R116	1-216-101-00	s	METAL, CHIP 150K 5% 1/10W (2125)
R117	1-208-774-11	s	METAL, CHIP 470 0.5% 1/10W (2125)
R118	*h 1-216-025-00	s	METAL, CHIP 100 5% 1/10W (2125)
	*9 1-216-295-00	s	METAL, CHIP 0 (2125)
	*2 1-216-650-11	s	METAL, CHIP 910 0.5% 1/10W (2125)
R119	1-216-682-11	s	METAL, CHIP 20K 0.5% 1/10W (2125)
R120	*h 1-216-019-00	s	METAL, CHIP 56 5% 1/10W (2125)
	*3 1-216-657-11	s	METAL, CHIP 1.8K 0.5% 1/10W (2125)
R121	*6 1-216-121-00	s	METAL, CHIP 1.0M 5% 1/10W (2125)
R122	*6 1-216-121-00	s	METAL, CHIP 1.0M 5% 1/10W (2125)
R123	*6 1-216-121-00	s	METAL, CHIP 1.0M 5% 1/10W (2125)
R124	*6 1-216-121-00	s	METAL, CHIP 1.0M 5% 1/10W (2125)
R125	*j 1-216-659-11	s	METAL, CHIP 2.2K 0.5% 1/10W (2125)
	*5 1-218-760-11	s	METAL, CHIP 220K 0.5% 1/10W (2125)
R126	1-216-073-00	s	METAL, CHIP 10K 5% 1/10W (2125)
R127	1-216-697-11	s	METAL, CHIP 82K 0.5% 1/10W (2125)
R128	1-216-073-00	s	METAL, CHIP 10K 5% 1/10W (2125)
R129	1-216-067-00	s	METAL, CHIP 5.6K 5% 1/10W (2125)
R130	1-216-675-11	s	METAL, CHIP 10K 0.5% 1/10W (2125)
R131	1-216-019-00	s	METAL, CHIP 56 5% 1/10W (2125)
R132	1-216-677-11	s	METAL, CHIP 12K 0.5% 1/10W (2125)
R133	1-208-800-11	s	METAL, CHIP 5.6K 0.5% 1/10W (2125)
R136	1-216-679-11	s	METAL, CHIP 15K 0.5% 1/10W (2125)
R137	1-216-699-11	s	METAL, CHIP 100K 0.5% 1/10W (2125)
R138-141	1-216-121-00	s	METAL, CHIP 1.0M 5% 1/10W (2125)
R142	*h 1-216-687-11	s	METAL, CHIP 33K 0.5% 1/10W (2125)
R143	1-216-073-00	s	METAL, CHIP 10K 5% 1/10W (2125)

\*9: LOT No. 306 of CUE-1AP mounted circuit board  
 \*h: Board No. suffix 12 or higher  
 \*j: Board No. suffix 13 or higher

## (CUE-1AP BOARD for DVW-A500P)

Ref. No. or Q'ty	Part No.	SP Description
R144	1-216-089-00	s METAL, CHIP 47K 5% 1/10W (2125)
R145	1-216-682-11	s METAL, CHIP 20K 0.5% 1/10W (2125)
R146	1-216-682-11	s METAL, CHIP 20K 0.5% 1/10W
R147	1-216-682-11	s METAL, CHIP 20K 0.5% 1/10W (2125)
R148	1-216-675-11	s METAL, CHIP 10K 0.5% 1/10W (2125)
R149	1-216-675-11	s METAL, CHIP 10K 0.5% 1/10W (2125)
R150	1-216-097-00	s METAL, CHIP 100K 5% 1/10W (2125)
R151	*j 1-216-679-11	s METAL, CHIP 15K 0.5% 1/10W (2125)
	*5 1-216-077-00	s METAL, CHIP 15K 5% 1/10W (2125)
R152	*h 1-216-068-00	s METAL, CHIP 6.2K 5% 1/10W (2125)
	*3 1-208-801-11	s METAL, CHIP 6.2K 0.5% 1/10W
R153	1-216-071-00	s METAL, CHIP 8.2K 5% 1/10W (2125)
R154	1-216-675-11	s METAL, CHIP 10K 0.5% 1/10W (2125)
R155	1-216-121-00	s METAL, CHIP 1.0M 5% 1/10W (2125)
R156	1-216-081-00	s METAL, CHIP 22K 5% 1/10W (2125)
R157	1-216-121-00	s METAL, CHIP 1.0M 5% 1/10W (2125)
R158	1-216-121-00	s METAL, CHIP 1.0M 5% 1/10W (2125)
R159	1-216-121-00	s METAL, CHIP 1.0M 5% 1/10W (2125)
R160	1-220-238-11	s METAL, CHIP 10 5% 1/4W (3225)
R161	1-216-121-00	s METAL, CHIP 1.0M 5% 1/10W (2125)
R162	*h 1-216-687-11	s METAL, CHIP 33K 0.5% 1/10W (2125)
R163	*h 1-216-682-11	s METAL, CHIP 20K 0.5% 1/10W (2125)
R166	1-216-697-11	s METAL, CHIP 82K 0.5% 1/10W (2125)
R167	1-216-625-11	s METAL, CHIP 82 0.5% 1/10W (2125)
R168	1-216-697-11	s METAL, CHIP 82K 0.5% 1/10W
R169	1-216-625-11	s METAL, CHIP 82 0.5% 1/10W (2125)
R170	1-216-699-11	s METAL, CHIP 100K 0.5% 1/10W
R171	1-216-699-11	s METAL, CHIP 100K 0.5% 1/10W
R173	1-216-691-11	s METAL, CHIP 47K 0.5% 1/10W (2125)
R174	1-216-691-11	s METAL, CHIP 47K 0.5% 1/10W (2125)
R175-178	1-216-121-00	s METAL, CHIP 1.0M 5% 1/10W (2125)
R180	*j 1-216-089-00	s METAL, CHIP 47K 5% 1/10W (2125)
R181	1-216-073-00	s METAL, CHIP 10K 5% 1/10W (2125)
R182	1-216-073-00	s METAL, CHIP 10K 5% 1/10W (2125)
R183	1-216-659-11	s METAL, CHIP 2.2K 0.5% 1/10W
R184	1-216-659-11	s METAL, CHIP 2.2K 0.5% 1/10W
R185	*f 1-216-673-11	s METAL, CHIP 8.2K 0.5% 1/10W
	*1 1-216-675-11	s METAL, CHIP 10K 0.5% 1/10W (2125)
R186	1-216-073-00	s METAL, CHIP 10K 5% 1/10W (2125)
R187	*f 1-216-673-11	s METAL, CHIP 8.2K 0.5% 1/10W
	*1 1-216-675-11	s METAL, CHIP 10K 0.5% 1/10W (2125)
R188-196	1-216-073-00	s METAL, CHIP 10K 5% 1/10W (2125)
R197	1-216-675-11	s METAL, CHIP 10K 0.5% 1/10W (2125)
R198	1-216-675-11	s METAL, CHIP 10K 0.5% 1/10W
R199-202	1-216-073-00	s METAL, CHIP 10K 5% 1/10W (2125)
R203	1-216-675-11	s METAL, CHIP 10K 0.5% 1/10W (2125)
R204	1-216-675-11	s METAL, CHIP 10K 0.5% 1/10W (2125)
R205	1-216-631-11	s METAL, CHIP 150 0.5% 1/10W (2125)
R206	1-216-053-00	s METAL, CHIP 1.5K 5% 1/10W (2125)
R208	*j 1-216-645-11	s METAL, CHIP 560 0.5% 1/10W (2125)
	*5 1-216-037-00	s METAL, CHIP 330 5% 1/10W (2125)
R209	1-216-081-00	s METAL, CHIP 22K 5% 1/10W (2125)
R210	1-216-073-00	s METAL, CHIP 10K 5% 1/10W (2125)
R211	1-216-691-11	s METAL, CHIP 47K 0.5% 1/10W
R212	1-216-675-11	s METAL, CHIP 10K 0.5% 1/10W (2125)

\*1: LOT No. 302 or 303  
 \*2: LOT No. 302 through 305  
 \*5: Board No. suffix 11 or 12  
 \*6: LOT No. 302 through 410

## (CUE-1AP BOARD for DVW-A500P)

Ref. No. or Q'ty	Part No.	SP Description
R213	*j 1-218-772-11	s METAL, CHIP 680K 0.5% 1/10W (2125)
	*5 1-218-756-11	s METAL, CHIP 150K 0.5% 1/10W (2125)
R214	*j 1-216-687-11	s METAL, CHIP 33K 0.5% 1/10W (2125)
	*5 1-208-814-11	s METAL, CHIP 22K 0.5% 1/10W (2125)
R215	1-218-754-11	s METAL, CHIP 120K 0.5% 1/10W (2125)
R216	1-216-675-11	s METAL, CHIP 10K 0.5% 1/10W (2125)
R217	*j 1-218-762-11	s METAL, CHIP 270K 0.5% 1/10W (2125)
	*5 1-218-754-11	s METAL, CHIP 120K 0.5% 1/10W (2125)
R218	*j 1-216-687-11	s METAL, CHIP 33K 0.5% 1/10W (2125)
	*5 1-208-824-11	s METAL, CHIP 56K 0.5% 1/10W (2125)
R219	1-208-814-11	s METAL, CHIP 22K 0.5% 1/10W (2125)
R220	*j 1-218-764-11	s METAL, CHIP 330K 0.5% 1/10W (2125)
	*5 1-218-760-11	s METAL, CHIP 220K 0.5% 1/10W (2125)
R221	1-218-774-11	s METAL, CHIP 820K 0.5% 1/10W (2125)
R222	*j 1-218-756-11	s METAL, CHIP 150K 0.5% 1/10W (2125)
	*5 1-216-687-11	s METAL, CHIP 33K 0.5% 1/10W (2125)
R223	1-216-675-11	s METAL, CHIP 10K 0.5% 1/10W (2125)
R224	1-208-814-11	s METAL, CHIP 22K 0.5% 1/10W (2125)
R226	1-216-073-00	s METAL, CHIP 10K 5% 1/10W (2125)
R235	1-216-081-00	s METAL, CHIP 22K 5% 1/10W (2125)
R236	*h 1-208-799-11	s METAL, CHIP 5.1K 0.5% 1/10W (2125)
	*9 1-208-801-11	s METAL, CHIP 6.2K 0.5% 1/10W (2125)
	*2 1-216-057-00	s METAL, CHIP 2.2K 5% 1/10W (2125)
R238	*h 1-216-655-11	s METAL, CHIP 1.5K 0.5% 1/10W (2125)
	*9 1-216-655-11	s METAL, CHIP 1.5K 0.5% 1/10W (2125)
	*2 1-216-673-11	s METAL, CHIP 8.2K 0.5% 1/10W (2125)
R239	*h 1-208-784-11	s METAL, CHIP 1.2K 0.5% 1/10W (2125)
	*9 1-208-784-11	s METAL, CHIP 1.2K 0.5% 1/10W (2125)
	*2 1-216-687-11	s METAL, CHIP 33K 0.5% 1/10W (2125)
R240	*h 1-216-295-00	s METAL, CHIP 0 (2125)
	*9 1-216-295-00	s METAL, CHIP 0 (2125)
	*2 1-216-675-11	s METAL, CHIP 10K 0.5% 1/10W (2125)
R242	*2 1-216-682-11	s METAL, CHIP 20K 0.5% 1/10W (2125)
R243	1-208-799-11	s METAL, CHIP 5.1K 0.5% 1/10W (2125)
R244	1-216-657-11	s METAL, CHIP 1.8K 0.5% 1/10W (2125)
R245	1-208-801-11	s METAL, CHIP 6.2K 0.5% 1/10W (2125)
R246	1-216-025-00	s METAL, CHIP 100 5% 1/10W (2125)
R247	1-216-660-11	s METAL, CHIP 2.4K 0.5% 1/10W (2125)
R248	1-216-025-00	s METAL, CHIP 100 5% 1/10W (2125)
R253	1-216-073-00	s METAL, CHIP 10K 5% 1/10W (2125)
R254	*h 1-216-682-11	s METAL, CHIP 20K 0.5% 1/10W (2125)
	*2 1-216-627-11	s METAL, CHIP 100 0.5% 1/10W (2125)
R255	*6 1-216-065-00	s METAL, CHIP 4.7K 5% 1/10W (2125)
R256	*6 1-216-065-00	s METAL, CHIP 4.7K 5% 1/10W (2125)
R257	*6 1-216-065-00	s METAL, CHIP 4.7K 5% 1/10W (2125)
R258	*6 1-216-065-00	s METAL, CHIP 4.7K 5% 1/10W (2125)
R259	1-216-071-00	s METAL, CHIP 8.2K 5% 1/10W (2125)
R260	1-216-025-00	s METAL, CHIP 100 5% 1/10W (2125)
R262	*j 1-216-659-11	s METAL, CHIP 2.2K 0.5% 1/10W (2125)
R263	*h 1-216-295-00	s METAL, CHIP 0 (2125)
	*9 1-216-295-00	s METAL, CHIP 0 (2125)
	*2 1-218-756-11	s METAL, CHIP 150K 0.5% 1/10W (2125)
R264	*h 1-216-682-11	s METAL, CHIP 20K 0.5% 1/10W (2125)
	*9 1-216-682-11	s METAL, CHIP 20K 0.5% 1/10W (2125)
	*2 1-216-073-00	s METAL, CHIP 10K 5% 1/10W (2125)

\*9: LOT No. 306 of CUE-1AP mounted circuit board  
 \*f: LOT No. 304 or higher  
 \*h: Board No. suffix 12 or higher  
 \*j: Board No. suffix 13 or higher

## (CUE-1AP BOARD for DVW-A500P)

Ref. No. or Q'ty	Part No.	SP	Description
R265	1-216-689-11	s	METAL, CHIP 39K 0.5% 1/10W (2125)
R266	1-216-095-00	s	METAL, CHIP 82K 5% 1/10W (2125)
R267	1-216-295-00	s	METAL, CHIP 0 (2125)
R268	*j 1-216-666-11	s	METAL, CHIP 4.3K 0.5% 1/10W
R269	1-216-073-00	s	METAL, CHIP 10K 5% 1/10W (2125)
R270	1-216-073-00	s	METAL, CHIP 10K 5% 1/10W (2125)
R271	1-216-073-00	s	METAL, CHIP 10K 5% 1/10W (2125)
R272	1-216-631-11	s	METAL, CHIP 150 0.5% 1/10W (2125)
R273	1-216-660-11	s	METAL, CHIP 2.4K 0.5% 1/10W
R274-277	1-216-121-00	s	METAL, CHIP 1.0M 5% 1/10W (2125)
R279	1-216-121-00	s	METAL, CHIP 1.0M 5% 1/10W (2125)
R280	1-216-655-11	s	METAL, CHIP 1.5K 0.5% 1/10W
R281	1-216-655-11	s	METAL, CHIP 1.5K 0.5% 1/10W
R282	1-216-065-00	s	METAL, CHIP 4.7K 5% 1/10W (2125)
R283	1-216-073-00	s	METAL, CHIP 10K 5% 1/10W (2125)
R284-287	1-216-121-00	s	METAL, CHIP 1.0M 5% 1/10W (2125)
R288-291	1-216-295-00	s	METAL, CHIP 0 (2125)
R292	*i 1-216-053-00	s	METAL, CHIP 1.5K 5% 1/10W (2125)
	*4 1-216-057-00	s	METAL, CHIP 2.2K 5% 1/10W (2125)
R293	1-216-295-00	s	METAL, CHIP 0 (2125)
R294	*i 1-216-053-00	s	METAL, CHIP 1.5K 5% 1/10W (2125)
	*4 1-216-057-00	s	METAL, CHIP 2.2K 5% 1/10W (2125)
R296	1-216-073-00	s	METAL, CHIP 10K 5% 1/10W (2125)
R302	1-216-073-00	s	METAL, CHIP 10K 5% 1/10W (2125)
R321	*6 1-216-071-00	s	METAL, CHIP 8.2K 5% 1/10W (2125)
R322	*6 1-216-684-11	s	METAL, CHIP 24K 0.5% 1/10W (2125)
R323	*6 1-216-664-11	s	METAL, CHIP 3.6K 0.5% 1/10W
R324	*6 1-216-655-11	s	METAL, CHIP 1.5K 0.5% 1/10W
R325	*6 1-216-049-00	s	METAL, CHIP 1.0K 5% 1/10W (2125)
R326	*6 1-216-049-00	s	METAL, CHIP 1.0K 5% 1/10W (2125)
R327	*6 1-216-121-00	s	METAL, CHIP 1.0M 5% 1/10W (2125)
R328	*6 1-216-121-00	s	METAL, CHIP 1.0M 5% 1/10W (2125)
R352	*6 1-216-071-00	s	METAL, CHIP 8.2K 5% 1/10W (2125)
R353	*6 1-216-684-11	s	METAL, CHIP 24K 0.5% 1/10W (2125)
R354	*6 1-216-664-11	s	METAL, CHIP 3.6K 0.5% 1/10W
R355	*6 1-216-655-11	s	METAL, CHIP 1.5K 0.5% 1/10W
R356	*6 1-216-049-00	s	METAL, CHIP 1.0K 5% 1/10W (2125)
R357	*6 1-216-049-00	s	METAL, CHIP 1.0K 5% 1/10W (2125)
R358	*6 1-216-121-00	s	METAL, CHIP 1.0M 5% 1/10W (2125)
R369	*6 1-216-121-00	s	METAL, CHIP 1.0M 5% 1/10W (2125)
R400	1-216-073-00	s	METAL, CHIP 10K 5% 1/10W (2125)
R401	1-216-025-00	s	METAL, CHIP 100 5% 1/10W (2125)
R402	1-216-025-00	s	METAL, CHIP 100 5% 1/10W (2125)
R403	1-216-089-00	s	METAL, CHIP 47K 5% 1/10W (2125)
R404	1-216-073-00	s	METAL, CHIP 10K 5% 1/10W (2125)
R405	1-216-675-11	s	METAL, CHIP 10K 0.5% 1/10W (2125)
R406	1-216-077-00	s	METAL, CHIP 15K 5% 1/10W (2125)
R407	1-216-603-11	s	METAL, CHIP 10 0.5% 1/10W (2125)
R408	1-216-065-00	s	METAL, CHIP 4.7K 5% 1/10W (2125)
R409	1-216-649-11	s	METAL, CHIP 820 0.5% 1/10W (2125)
R410	1-216-635-11	s	METAL, CHIP 220 0.5% 1/10W (2125)
R411	1-216-097-00	s	METAL, CHIP 100K 5% 1/10W (2125)
R412	1-218-760-11	s	METAL, CHIP 220K 0.5% 1/10W
R413	1-216-033-00	s	METAL, CHIP 220 5% 1/10W (2125)
R414	1-216-065-00	s	METAL, CHIP 4.7K 5% 1/10W (2125)
R415	1-218-760-11	s	METAL, CHIP 220K 0.5% 1/10W

-----  
 \*4: LOT No. 302 through 312  
 \*6: LOT No. 302 through 410  
 \*7: LOT No. 302 through 410 of CUE-1AP mounted circuit board  
 LOT No. 305 through 502 of CUE-1APG mounted circuit board

## (CUE-1AP BOARD for DVW-A500P)

Ref. No. or Q'ty	Part No.	SP	Description
R416	1-216-121-00	s	METAL, CHIP 1.0M 5% 1/10W (2125)
R417	1-216-121-00	s	METAL, CHIP 1.0M 5% 1/10W
R418	1-216-049-00	s	METAL, CHIP 1.0K 5% 1/10W
R419	1-216-073-00	s	METAL, CHIP 10K 5% 1/10W
R420	1-216-053-00	s	METAL, CHIP 1.5K 5% 1/10W (2125)
R421	1-216-073-00	s	METAL, CHIP 10K 5% 1/10W (2125)
R422	1-216-097-00	s	METAL, CHIP 100K 5% 1/10W (2125)
R423	1-216-053-00	s	METAL, CHIP 1.5K 5% 1/10W (2125)
R424	*m 1-216-603-11	s	METAL, CHIP 10 0.5% 1/10W
	*7 1-216-025-00	s	METAL, CHIP 100 5% 1/10W (2125)
R425	*m 1-216-077-00	s	METAL, CHIP 15K 5% 1/10W (2125)
	*7 1-216-105-11	s	METAL, CHIP 220K 5% 1/10W (2125)
R426	1-216-081-00	s	METAL, CHIP 22K 5% 1/10W (2125)
R427	1-216-073-00	s	METAL, CHIP 10K 5% 1/10W (2125)
R428	1-216-073-00	s	METAL, CHIP 10K 5% 1/10W (2125)
R429	1-216-097-00	s	METAL, CHIP 100K 5% 1/10W (2125)
R430	1-216-049-00	s	METAL, CHIP 1.0K 5% 1/10W (2125)
R431	1-216-121-00	s	METAL, CHIP 1.0M 5% 1/10W (2125)
R432	1-216-061-00	s	METAL, CHIP 3.3K 5% 1/10W (2125)
R433	1-216-073-00	s	METAL, CHIP 10K 5% 1/10W (2125)
R434	1-216-075-00	s	METAL, CHIP 12K 5% 1/10W (2125)
R435	1-216-073-00	s	METAL, CHIP 10K 5% 1/10W (2125)
R436	1-216-121-00	s	METAL, CHIP 1.0M 5% 1/10W (2125)
R437	1-216-089-00	s	METAL, CHIP 47K 5% 1/10W (2125)
R438	1-216-065-00	s	METAL, CHIP 4.7K 5% 1/10W (2125)
R439	1-216-061-00	s	METAL, CHIP 3.3K 5% 1/10W (2125)
R440	1-216-061-00	s	METAL, CHIP 3.3K 5% 1/10W (2125)
R441	1-216-689-11	s	METAL, CHIP 39K 0.5% 1/10W (2125)
R442	1-216-065-00	s	METAL, CHIP 4.7K 5% 1/10W (2125)
R443	1-216-089-00	s	METAL, CHIP 47K 5% 1/10W (2125)
R444	*6 1-216-689-11	s	METAL, CHIP 39K 0.5% 1/10W (2125)
R445	*6 1-216-065-00	s	METAL, CHIP 4.7K 5% 1/10W (2125)
R446	*6 1-216-089-00	s	METAL, CHIP 47K 5% 1/10W (2125)
R447	1-216-073-00	s	METAL, CHIP 10K 5% 1/10W (2125)
R448	1-216-067-00	s	METAL, CHIP 5.6K 5% 1/10W (2125)
R449	1-216-692-11	s	METAL, CHIP 51K 0.5% 1/10W (2125)
R450	1-216-073-00	s	METAL, CHIP 10K 5% 1/10W (2125)
R451	1-216-067-00	s	METAL, CHIP 5.6K 5% 1/10W (2125)
R452	1-216-692-11	s	METAL, CHIP 51K 0.5% 1/10W (2125)
R453	1-216-689-11	s	METAL, CHIP 39K 0.5% 1/10W (2125)
R454	1-216-065-00	s	METAL, CHIP 4.7K 5% 1/10W (2125)
R455	1-216-089-00	s	METAL, CHIP 47K 5% 1/10W (2125)
R459	1-216-073-00	s	METAL, CHIP 10K 5% 1/10W (2125)
R460	1-216-067-00	s	METAL, CHIP 5.6K 5% 1/10W (2125)
R461	1-216-692-11	s	METAL, CHIP 51K 0.5% 1/10W (2125)
R462	1-216-077-00	s	METAL, CHIP 15K 5% 1/10W (2125)
R463	1-216-049-00	s	METAL, CHIP 1.0K 5% 1/10W (2125)
R464	1-216-049-00	s	METAL, CHIP 1.0K 5% 1/10W (2125)
R466	1-216-295-00	s	METAL, CHIP 0 (2125)
R467	1-216-061-00	s	METAL, CHIP 3.3K 5% 1/10W (2125)
R468	1-216-073-00	s	METAL, CHIP 10K 5% 1/10W (2125)
R469	1-216-001-00	s	METAL, CHIP 10 5% 1/10W (2125)
R470	1-216-001-00	s	METAL, CHIP 10 5% 1/10W (2125)
R471	*6 1-216-065-00	s	METAL, CHIP 4.7K 5% 1/10W (2125)
R472	1-216-073-00	s	METAL, CHIP 10K 5% 1/10W (2125)

-----  
 \*i: LOT No. 401 or higher  
 \*j: Board No. suffix 13 or higher  
 \*m: LOT No. 411 or higher of CUE-1AP mounted circuit board  
 LOT No. 503 or higher of CUE-1APG mounted circuit board

## (CUE-1AP BOARD for DVW-A500P)

Ref. No. or Q'ty	Part No.	SP Description
R480	1-216-073-00	s METAL, CHIP 10K 5% 1/10W (2125)
R481	1-216-684-11	s METAL, CHIP 24K 0.5% 1/10W (2125)
R482	1-216-097-00	s METAL, CHIP 100K 5% 1/10W (2125)
R483	1-216-055-00	s METAL, CHIP 1.8K 5% 1/10W (2125)
R484	1-216-067-00	s METAL, CHIP 5.6K 5% 1/10W (2125)
R500	1-216-089-00	s METAL, CHIP 47K 5% 1/10W (2125)
R501	1-216-063-00	s METAL, CHIP 3.9K 5% 1/10W (2125)
R502	1-216-121-00	s METAL, CHIP 1.0M 5% 1/10W (2125)
R503	1-216-057-00	s METAL, CHIP 2.2K 5% 1/10W (2125)
R504	*6 1-216-089-00	s METAL, CHIP 47K 5% 1/10W (2125)
R505	1-216-081-00	s METAL, CHIP 22K 5% 1/10W (2125)
R509	1-216-045-00	s METAL, CHIP 680 5% 1/10W (2125)
R510	1-216-045-00	s METAL, CHIP 680 5% 1/10W (2125)
R511	*6 1-216-049-00	s METAL, CHIP 1.0K 5% 1/10W (2125)
R512	*6 1-216-121-00	s METAL, CHIP 1.0M 5% 1/10W (2125)
R513	*6 1-216-675-11	s METAL, CHIP 10K 0.5% 1/10W (2125)
R514	*6 1-216-699-11	s METAL, CHIP 100K 0.5% 1/10W (2125)
R515	1-220-240-11	s METAL, CHIP 15 5% 1/4W (3225)
R516	1-220-240-11	s METAL, CHIP 15 5% 1/4W (3225)
R517	*6 1-216-660-11	s METAL, CHIP 2.4K 0.5% 1/10W (2125)
R518	*6 1-216-049-00	s METAL, CHIP 1.0K 5% 1/10W (2125)
R519	*6 1-216-121-00	s METAL, CHIP 1.0M 5% 1/10W (2125)
R520	1-218-236-11	s METAL, CHIP 1.0 10% 1/4W (3225)
R521	1-216-085-00	s METAL, CHIP 33K 5% 1/10W (2125)
R522	1-216-091-00	s METAL, CHIP 56K 5% 1/10W (2125)
R523	1-216-091-00	s METAL, CHIP 56K 5% 1/10W (2125)
R525	1-216-065-00	s METAL, CHIP 4.7K 5% 1/10W (2125)
R526	1-216-065-00	s METAL, CHIP 4.7K 5% 1/10W (2125)
R527	1-216-069-00	s METAL, CHIP 6.8K 5% 1/10W (2125)
R528	1-208-784-11	s METAL, CHIP 1.2K 0.5% 1/10W (2125)
R530	1-216-081-00	s METAL, CHIP 22K 5% 1/10W (2125)
R531	1-216-645-11	s METAL, CHIP 560 0.5% 1/10W (2125)
R532	1-216-073-00	s METAL, CHIP 10K 5% 1/10W (2125)
R533	1-216-645-11	s METAL, CHIP 560 0.5% 1/10W (2125)
R534	1-208-784-11	s METAL, CHIP 1.2K 0.5% 1/10W (2125)
R535	1-216-081-00	s METAL, CHIP 22K 5% 1/10W (2125)
R536	1-216-081-00	s METAL, CHIP 22K 5% 1/10W (2125)
R537	1-216-073-00	s METAL, CHIP 10K 5% 1/10W (2125)
R538	1-216-077-00	s METAL, CHIP 15K 5% 1/10W (2125)
R539	1-216-035-00	s METAL, CHIP 270 5% 1/10W (2125)
R540	1-216-035-00	s METAL, CHIP 270 5% 1/10W (2125)
R541	1-216-035-00	s METAL, CHIP 270 5% 1/10W (2125)
R542	1-216-035-00	s METAL, CHIP 270 5% 1/10W (2125)
R543	1-216-093-00	s METAL, CHIP 68K 5% 1/10W (2125)
R544	1-216-093-00	s METAL, CHIP 68K 5% 1/10W (2125)
R545	1-216-057-00	s METAL, CHIP 2.2K 5% 1/10W (2125)
R546	1-216-057-00	s METAL, CHIP 2.2K 5% 1/10W (2125)
R547	1-220-248-11	s METAL, CHIP 6.8 10% 1/2W (4532)
R548	1-220-248-11	s METAL, CHIP 6.8 10% 1/2W (4532)
R549	1-220-248-11	s METAL, CHIP 6.8 10% 1/2W (4532)
R550	1-220-248-11	s METAL, CHIP 6.8 10% 1/2W (4532)
R551	1-218-236-11	s METAL, CHIP 1.0 10% 1/4W (3225)
R552	1-218-236-11	s METAL, CHIP 1.0 10% 1/4W (3225)
R553	1-218-236-11	s METAL, CHIP 1.0 10% 1/4W (3225)
R555	*6 1-216-065-00	s METAL, CHIP 4.7K 5% 1/10W (2125)
R556	1-218-326-11	s METAL, CHIP 470 5% 1/2W (4532)
R558	1-216-025-00	s METAL, CHIP 100 5% 1/10W (2125)

\*3: Board No. suffix 11 only  
 \*6: LOT No. 302 through 410

## (CUE-1AP BOARD for DVW-A500P)

Ref. No. or Q'ty	Part No.	SP Description
R559	1-216-049-00	s METAL, CHIP 1.0K 5% 1/10W (2125)
R560	*6 1-216-675-11	s METAL, CHIP 10K 0.5% 1/10W (2125)
R561	*6 1-216-675-11	s METAL, CHIP 10K 0.5% 1/10W (2125)
R562	*d 1-216-635-11	s METAL, CHIP 220 0.5% 1/10W (2125)
	*3 1-208-774-11	s METAL, CHIP 470 0.5% 1/10W (2125)
R563	*6 1-216-699-11	s METAL, CHIP 100K 0.5% 1/10W (2125)
R564	*6 1-216-651-11	s METAL, CHIP 1.0K 0.5% 1/10W (2125)
R565	*6 1-216-675-11	s METAL, CHIP 10K 0.5% 1/10W (2125)
R566	1-216-661-11	s METAL, CHIP 2.7K 0.5% 1/10W (2125)
R568	1-216-295-00	s METAL, CHIP 0 (2125)
R569	1-216-635-11	s METAL, CHIP 220 0.5% 1/10W (2125)
R570	*6 1-216-675-11	s METAL, CHIP 10K 0.5% 1/10W (2125)
R571	*6 1-216-675-11	s METAL, CHIP 10K 0.5% 1/10W (2125)
R572	*6 1-216-699-11	s METAL, CHIP 100K 0.5% 1/10W (2125)
R573	*6 1-216-699-11	s METAL, CHIP 100K 0.5% 1/10W (2125)
R574	*6 1-216-675-11	s METAL, CHIP 10K 0.5% 1/10W (2125)
R575	*6 1-208-784-11	s METAL, CHIP 1.2K 0.5% 1/10W (2125)
R576	*6 1-216-089-00	s METAL, CHIP 47K 5% 1/10W (2125)
R577	1-216-697-11	s METAL, CHIP 82K 0.5% 1/10W (2125)
R578	1-216-695-11	s METAL, CHIP 68K 0.5% 1/10W (2125)
R579	*6 1-216-049-00	s METAL, CHIP 1.0K 5% 1/10W (2125)
R580	*6 1-216-121-00	s METAL, CHIP 1.0M 5% 1/10W (2125)
R581	*6 1-216-065-00	s METAL, CHIP 4.7K 5% 1/10W (2125)
R582	*6 1-216-675-11	s METAL, CHIP 10K 0.5% 1/10W (2125)
R583	*6 1-216-675-11	s METAL, CHIP 10K 0.5% 1/10W (2125)
R584	*6 1-216-699-11	s METAL, CHIP 100K 0.5% 1/10W (2125)
R585	*6 1-216-699-11	s METAL, CHIP 100K 0.5% 1/10W (2125)
R586	*6 1-216-675-11	s METAL, CHIP 10K 0.5% 1/10W (2125)
R587	*6 1-216-657-11	s METAL, CHIP 1.8K 0.5% 1/10W (2125)
R588	*6 1-216-089-00	s METAL, CHIP 47K 5% 1/10W (2125)
R589	*6 1-216-049-00	s METAL, CHIP 1.0K 5% 1/10W (2125)
R590	*6 1-216-121-00	s METAL, CHIP 1.0M 5% 1/10W (2125)
R591	*6 1-216-089-00	s METAL, CHIP 47K 5% 1/10W (2125)
R592	*6 1-216-675-11	s METAL, CHIP 10K 0.5% 1/10W (2125)
R593	*6 1-216-675-11	s METAL, CHIP 10K 0.5% 1/10W (2125)
R594	*6 1-216-699-11	s METAL, CHIP 100K 0.5% 1/10W (2125)
R595	*6 1-216-699-11	s METAL, CHIP 100K 0.5% 1/10W (2125)
R596	*6 1-216-675-11	s METAL, CHIP 10K 0.5% 1/10W (2125)
R597	*6 1-208-784-11	s METAL, CHIP 1.2K 0.5% 1/10W (2125)
R598	1-216-073-00	s METAL, CHIP 10K 5% 1/10W (2125)
R599	1-216-045-00	s METAL, CHIP 680 5% 1/10W (2125)
R601	1-216-073-00	s METAL, CHIP 10K 5% 1/10W (2125)
R602	1-216-699-11	s METAL, CHIP 100K 0.5% 1/10W (2125)
R603	1-216-699-11	s METAL, CHIP 100K 0.5% 1/10W (2125)
R604	1-216-073-00	s METAL, CHIP 10K 5% 1/10W (2125)
R605	1-216-699-11	s METAL, CHIP 100K 0.5% 1/10W (2125)
R606	1-216-699-11	s METAL, CHIP 100K 0.5% 1/10W (2125)
R607	1-216-089-00	s METAL, CHIP 47K 5% 1/10W (2125)
R608	1-216-073-00	s METAL, CHIP 10K 5% 1/10W (2125)
R617	1-208-771-11	s METAL, CHIP 360 0.5% 1/10W (2125)
R618	1-208-771-11	s METAL, CHIP 360 0.5% 1/10W (2125)
R619	1-220-248-11	s METAL, CHIP 6.8 10% 1/2W (4532)
R620	1-220-248-11	s METAL, CHIP 6.8 10% 1/2W (4532)
R621	1-216-638-11	s METAL, CHIP 300 0.5% 1/10W (2125)
R622	1-216-638-11	s METAL, CHIP 300 0.5% 1/10W (2125)
R623	1-220-248-11	s METAL, CHIP 6.8 10% 1/2W (4532)
R624	1-220-248-11	s METAL, CHIP 6.8 10% 1/2W (4532)

\*d: LOT No. 307 through 410



(CUE-1AP BOARD for DVW-A500P)

Ref. No. or Q'ty	Part No.	SP	Description
R700	1-216-661-11	s	METAL, CHIP 2.7K 0.5% 1/10W
R701	1-208-799-11	s	METAL, CHIP 5.1K 0.5% 1/10W
R703	1-216-659-11	s	METAL, CHIP 2.2K 0.5% 1/10W
R704	1-216-651-11	s	METAL, CHIP 1.0K 0.5% 1/10W (2125)
R705	1-216-647-11	s	METAL, CHIP 680 0.5% 1/10W (2125)
R706	1-216-631-11	s	METAL, CHIP 150 0.5% 1/10W (2125)
R707	1-218-776-11	s	METAL, CHIP 1.0M 0.5% 1/10W
R708	1-216-650-11	s	METAL, CHIP 910 0.5% 1/10W (2125)
R709	1-208-774-11	s	METAL, CHIP 470 0.5% 1/10W (2125)
R710	1-216-647-11	s	METAL, CHIP 680 0.5% 1/10W (2125)
R711	1-208-775-11	s	METAL, CHIP 510 0.5% 1/10W (2125)
R712	1-216-609-11	s	METAL, CHIP 18 0.5% 1/10W (2125)
R713	1-216-121-00	s	METAL, CHIP 1.0M 5% 1/10W (2125)
R714	1-216-121-00	s	METAL, CHIP 1.0M 5% 1/10W (2125)
R715	1-216-677-11	s	METAL, CHIP 12K 0.5% 1/10W (2125)
R716	1-216-675-11	s	METAL, CHIP 10K 0.5% 1/10W (2125)
R717	1-216-081-00	s	METAL, CHIP 22K 5% 1/10W (2125)
R718	1-208-800-11	s	METAL, CHIP 5.6K 0.5% 1/10W
R719	1-216-675-11	s	METAL, CHIP 10K 0.5% 1/10W (2125)
R721	1-216-667-11	s	METAL, CHIP 4.7K 0.5% 1/10W
R722	1-216-667-11	s	METAL, CHIP 4.7K 0.5% 1/10W
R723	1-216-667-11	s	METAL, CHIP 4.7K 0.5% 1/10W
R724	1-216-667-11	s	METAL, CHIP 4.7K 0.5% 1/10W
R727	1-216-675-11	s	METAL, CHIP 10K 0.5% 1/10W (2125)
R728	1-216-675-11	s	METAL, CHIP 10K 0.5% 1/10W (2125)
R729	1-216-651-11	s	METAL, CHIP 1.0K 0.5% 1/10W
R730	1-216-675-11	s	METAL, CHIP 10K 0.5% 1/10W (2125)
R731	1-216-699-11	s	METAL, CHIP 100K 0.5% 1/10W
R732	1-216-675-11	s	METAL, CHIP 10K 0.5% 1/10W (2125)
R733	1-216-651-11	s	METAL, CHIP 1.0K 0.5% 1/10W
R734	1-216-699-11	s	METAL, CHIP 100K 0.5% 1/10W
R736	1-216-651-11	s	METAL, CHIP 1.0K 0.5% 1/10W
R739	1-216-619-11	s	METAL, CHIP 47 0.5% 1/10W (2125)
R740	1-216-619-11	s	METAL, CHIP 47 0.5% 1/10W (2125)
R741	1-216-699-11	s	METAL, CHIP 100K 0.5% 1/10W
R742	1-216-699-11	s	METAL, CHIP 100K 0.5% 1/10W
R743	1-216-675-11	s	METAL, CHIP 10K 0.5% 1/10W (2125)
R744	1-216-682-11	s	METAL, CHIP 20K 0.5% 1/10W (2125)
R745	1-208-817-11	s	METAL, CHIP 30K 0.5% 1/10W (2125)
R746	1-220-242-11	s	METAL, CHIP 22 5% 1/4W (3225)
R747	1-220-242-11	s	METAL, CHIP 22 5% 1/4W (3225)
R748	1-216-675-11	s	METAL, CHIP 10K 0.5% 1/10W (2125)
R749	1-216-675-11	s	METAL, CHIP 10K 0.5% 1/10W (2125)
R750	1-220-242-11	s	METAL, CHIP 22 5% 1/4W (3225)
R751	1-220-242-11	s	METAL, CHIP 22 5% 1/4W (3225)
R752	1-216-675-11	s	METAL, CHIP 10K 0.5% 1/10W (2125)
R753	1-216-675-11	s	METAL, CHIP 10K 0.5% 1/10W (2125)
R754	1-216-624-11	s	METAL, CHIP 75 0.5% 1/10W (2125)
R755	1-216-624-11	s	METAL, CHIP 75 0.5% 1/10W (2125)
R756	1-216-624-11	s	METAL, CHIP 75 0.5% 1/10W (2125)
R757	1-216-624-11	s	METAL, CHIP 75 0.5% 1/10W (2125)
R758	1-216-061-00	s	METAL, CHIP 3.3K 5% 1/10W (2125)
R759	1-216-639-11	s	METAL, CHIP 330 0.5% 1/10W (2125)
R760	1-216-073-00	s	METAL, CHIP 10K 5% 1/10W (2125)
R761	1-216-073-00	s	METAL, CHIP 10K 5% 1/10W (2125)
R762	1-216-295-00	s	METAL, CHIP 0 (2125)

-----  
 \*3: Board No. suffix 11 only  
 \*b: LOT No. 307 through 312  
 \*e: LOT No. 311 through 402

(CUE-1AP BOARD for DVW-A500P)

Ref. No. or Q'ty	Part No.	SP	Description
R763	*e 1-215-445-00	s	METAL 10K 1% 1/4W
R801	1-216-699-11	s	METAL, CHIP 100K 0.5% 1/10W (2125)
R802	1-216-699-11	s	METAL, CHIP 100K 0.5% 1/10W (2125)
R803	1-208-814-11	s	METAL, CHIP 22K 0.5% 1/10W (2125)
R804	1-216-073-00	s	METAL, CHIP 10K 5% 1/10W (2125)
R805	1-216-675-11	s	METAL, CHIP 10K 0.5% 1/10W (2125)
R806	1-216-675-11	s	METAL, CHIP 10K 0.5% 1/10W (2125)
R807	1-208-785-11	s	METAL, CHIP 1.3K 0.5% 1/10W (2125)
R808	1-216-635-11	s	METAL, CHIP 220 0.5% 1/10W (2125)
R809	1-216-295-00	s	METAL, CHIP 0 (2125)
R810	1-216-663-11	s	METAL, CHIP 3.3K 0.5% 1/10W (2125)
R811	1-216-663-11	s	METAL, CHIP 3.3K 0.5% 1/10W (2125)
R812	1-216-651-11	s	METAL, CHIP 1.0K 0.5% 1/10W (2125)
R813	1-216-655-11	s	METAL, CHIP 1.5K 0.5% 1/10W (2125)
R814	1-216-675-11	s	METAL, CHIP 10K 0.5% 1/10W (2125)
R815	1-216-657-11	s	METAL, CHIP 1.8K 0.5% 1/10W (2125)
R816	1-208-789-11	s	METAL, CHIP 2.0K 0.5% 1/10W (2125)
R817	1-216-675-11	s	METAL, CHIP 10K 0.5% 1/10W (2125)
R818	1-216-675-11	s	METAL, CHIP 10K 0.5% 1/10W (2125)
R819	1-216-617-11	s	METAL, CHIP 39 0.5% 1/10W (2125)
R820	1-208-817-11	s	METAL, CHIP 30K 0.5% 1/10W (2125)
R821	1-216-665-11	s	METAL, CHIP 3.9K 0.5% 1/10W (2125)
R822	1-208-774-11	s	METAL, CHIP 470 0.5% 1/10W (2125)
R823	1-208-799-11	s	METAL, CHIP 5.1K 0.5% 1/10W (2125)
R824	1-218-760-11	s	METAL, CHIP 220K 0.5% 1/10W (2125)
R825	1-216-121-00	s	METAL, CHIP 1.0M 5% 1/10W (2125)
R826	1-216-665-11	s	METAL, CHIP 3.9K 0.5% 1/10W (2125)
R827	1-216-665-11	s	METAL, CHIP 3.9K 0.5% 1/10W (2125)
R828	1-216-675-11	s	METAL, CHIP 10K 0.5% 1/10W (2125)
R829	1-216-675-11	s	METAL, CHIP 10K 0.5% 1/10W (2125)
R830	1-216-667-11	s	METAL, CHIP 4.7K 0.5% 1/10W (2125)
R831	1-216-667-11	s	METAL, CHIP 4.7K 0.5% 1/10W (2125)
R832	1-216-667-11	s	METAL, CHIP 4.7K 0.5% 1/10W (2125)
R833	1-216-667-11	s	METAL, CHIP 4.7K 0.5% 1/10W (2125)
R870	*h 1-216-073-00	s	METAL, CHIP 10K 5% 1/10W (2125)
R872	*h 1-216-073-00	s	METAL, CHIP 10K 5% 1/10W (2125)
R876	*h 1-216-073-00	s	METAL, CHIP 10K 5% 1/10W (2125)
R878	*h 1-216-073-00	s	METAL, CHIP 10K 5% 1/10W (2125)
R880	*h 1-216-073-00	s	METAL, CHIP 10K 5% 1/10W (2125)
R882	*h 1-216-073-00	s	METAL, CHIP 10K 5% 1/10W (2125)
R884	*h 1-216-073-00	s	METAL, CHIP 10K 5% 1/10W (2125)
R886	*h 1-216-073-00	s	METAL, CHIP 10K 5% 1/10W (2125)
R888	*h 1-216-073-00	s	METAL, CHIP 10K 5% 1/10W (2125)
R892	*h 1-216-073-00	s	METAL, CHIP 10K 5% 1/10W (2125)
R896	*h 1-208-789-11	s	METAL, CHIP 2.0K 0.5% 1/10W (2125)
R901	*i 1-216-081-00	s	METAL, CHIP 22K 5% 1/10W (2125)
	*b 1-216-089-00	s	METAL, CHIP 47K 5% 1/10W (2125)
	*3 1-216-085-00	s	METAL, CHIP 33K 5% 1/10W (2125)
R903	*h 1-216-645-11	s	METAL, CHIP 560 0.5% 1/10W (2125)
	*3 1-208-775-11	s	METAL, CHIP 510 0.5% 1/10W (2125)
R904	*h 1-216-675-11	s	METAL, CHIP 10K 0.5% 1/10W (2125)
	*3 1-216-677-11	s	METAL, CHIP 12K 0.5% 1/10W (2125)
R910	1-220-273-11	s	METAL, CHIP 1.0K 5% 1/2W (4532)
R912	1-220-273-11	s	METAL, CHIP 1.0K 5% 1/2W (4532)
R920	*j 1-216-049-00	s	METAL, CHIP 1.0K 5% 1/10W (2125)

-----  
 \*h: Board No. suffix 12 or higher  
 \*i: LOT No. 401 or higher  
 \*j: Board No. suffix 13 or higher

(CUE-1AP BOARD for DVW-A500P)

-----  
DIF-16 BOARD suffix 16, 31 or higher  
-----

Ref. No. or Q'ty	Part No.	SP Description
R921	*j 1-216-069-00	s METAL, CHIP 6.8K 5% 1/10W (2125)
R922	*j 1-216-073-00	s METAL, CHIP 10K 5% 1/10W (2125)
R923	*j 1-216-089-00	s METAL, CHIP 47K 5% 1/10W (2125)
R924	*j 1-216-073-00	s METAL, CHIP 10K 5% 1/10W (2125)
R990	*k 1-216-295-00	s METAL, CHIP 0 (2125)
R992	*k 1-216-295-00	s METAL, CHIP 0 (2125)
R994	*k 1-216-295-00	s METAL, CHIP 0 (2125)
R996	*k 1-216-295-00	s METAL, CHIP 0 (2125)
R997	*k 1-216-295-00	s METAL, CHIP 0 (2125)
RV100	1-237-038-11	s RES, ADJ, CERMET 50K
RV102	1-237-036-11	s RES, ADJ, CERMET 10K
RV103	1-237-037-11	s RES, ADJ, CERMET 20K
RV104	1-237-037-11	s RES, ADJ, CERMET 20K
RV106	1-237-039-11	s RES, ADJ, CERMET 100K
RV107	1-237-039-11	s RES, ADJ, CERMET 100K
RV108	1-237-035-11	s RES, ADJ, CERMET 5K
RV109	*i 1-237-034-11	s RES, ADJ, CERMET 2K
	*4 1-237-033-11	s RES, ADJ, CERMET 1K
RV110	1-237-035-11	s RES, ADJ, CERMET 5K
RV111	*i 1-237-034-11	s RES, ADJ, CERMET 2K
	*4 1-237-033-11	s RES, ADJ, CERMET 1K
RV114	1-237-037-11	s RES, ADJ, CERMET 20K
RV120	1-237-033-11	s RES, ADJ, CERMET 1K
RV121	1-237-033-11	s RES, ADJ, CERMET 1K
RV122	1-237-037-11	s RES, ADJ, CERMET 20K
RV400	1-237-033-11	s RES, ADJ, CERMET 1K
RV401	*m 1-237-033-11	s RES, ADJ, CERMET 1K
	*7 1-237-036-11	s RES, ADJ, CERMET 10K
RV500	1-237-038-11	s RES, ADJ, CERMET 50K
RV502	1-237-035-11	s RES, ADJ, CERMET 5K
RV700	1-237-033-11	s RES, ADJ, CERMET 1K
RV801	1-237-036-11	s RES, ADJ, CERMET 10K
RV901	*i 1-237-038-11	s RES, ADJ, CERMET 50K
	*4 1-237-037-11	s RES, ADJ, CERMET 20K
RY700	1-515-716-11	s RELAY TQ2-5V
RY801	1-515-716-11	s RELAY TQ2-5V
S101	1-570-602-11	s SWITCH, DIP 2-CKT
S102	1-570-602-11	s SWITCH, DIP 2-CKT
T500	1-433-326-11	s TRANSFORMER, BIAS OSC 134 kHz
T501	1-424-511-11	s TRANSFORMER, FE
T502	1-424-511-11	s TRANSFORMER, FE
T503	1-424-511-11	s TRANSFORMER, FE
TH100	1-810-106-11	s THERMISTOR, POSIITIVE, CHIP
TH101	1-810-106-11	s THERMISTOR, POSIITIVE, CHIP
X500	1-577-101-11	s RESONATOR, CERAMIC 4.19 MHz

Ref. No. or Q'ty	Part No.	SP Description
		*a: Lot No. 907-910
		*b: Lot No. 911-
		*c: Lot No. 907-912
		*d: Lot No. 001-
1pc	A-8275-139-B	o MOUNTED CIRCUIT BOARD, DIF-16
1pc	3-171-453-03	o PLATE (L), SHIELD, CARD
1pc	3-171-454-02	o SHEET (L), CARD (PLA)
6pcs	7-682-902-11	s SCREW +PWH 2.6X5(EP-FE/ZN/CM2)
1pc	3-179-084-01	s LEVER(R),PRINTED C,BOARD
1pc	3-179-085-01	s LEVER(L),PRINTED C.BOARD
C1	1-117-229-11	s CAPACITOR, (SMD) 10MF/10V
C2	1-115-169-11	s CAPACITOR,TANTAL (SMD) 10MF
C3	1-115-169-11	s CAPACITOR,TANTAL (SMD) 10MF
C4	1-117-373-11	s CAPACITOR, (SMD) 150MF/6.3V
C5	1-117-373-11	s CAPACITOR, (SMD) 150MF/6.3V
C6	1-107-826-11	s CAPACITOR,CHIP CERAMIC 0.1MF
C7	1-107-826-11	s CAPACITOR,CHIP CERAMIC 0.1MF
C8	1-107-826-11	s CAPACITOR,CHIP CERAMIC 0.1MF
C9	1-107-826-11	s CAPACITOR,CHIP CERAMIC 0.1MF
C10	1-107-826-11	s CAPACITOR,CHIP CERAMIC 0.1MF
C11	1-107-826-11	s CAPACITOR,CHIP CERAMIC 0.1MF
C12	1-107-826-11	s CAPACITOR,CHIP CERAMIC 0.1MF
C13	1-107-826-11	s CAPACITOR,CHIP CERAMIC 0.1MF
C14	1-115-169-11	s CAPACITOR,TANTAL (SMD) 10MF
C15	1-107-826-11	s CAPACITOR,CHIP CERAMIC 0.1MF
C16	1-107-826-11	s CAPACITOR,CHIP CERAMIC 0.1MF
C17	1-107-826-11	s CAPACITOR,CHIP CERAMIC 0.1MF
C18	1-107-826-11	s CAPACITOR,CHIP CERAMIC 0.1MF
C19	1-107-826-11	s CAPACITOR,CHIP CERAMIC 0.1MF
C20	1-107-826-11	s CAPACITOR,CHIP CERAMIC 0.1MF
C21	1-115-416-11	s CAPACITOR,CERAMIC 1000PF/25V
C22	1-107-826-11	s CAPACITOR,CHIP CERAMIC 0.1MF
C23	1-107-826-11	s CAPACITOR,CHIP CERAMIC 0.1MF
C24	1-107-826-11	s CAPACITOR,CHIP CERAMIC 0.1MF
C25	1-115-169-11	s CAPACITOR,TANTAL (SMD) 10MF
C26	1-107-826-11	s CAPACITOR,CHIP CERAMIC 0.1MF
C27	1-107-826-11	s CAPACITOR,CHIP CERAMIC 0.1MF
C28	1-115-169-11	s CAPACITOR,TANTAL (SMD) 10MF
C101	1-115-169-11	s CAPACITOR,TANTAL (SMD) 10MF
C102	1-107-826-11	s CAPACITOR,CHIP CERAMIC 0.1MF
C103	1-117-373-11	s CAPACITOR, (SMD) 150MF/6.3V
C104	1-107-826-11	s CAPACITOR,CHIP CERAMIC 0.1MF
C105	1-107-826-11	s CAPACITOR,CHIP CERAMIC 0.1MF
C107	1-107-826-11	s CAPACITOR,CHIP CERAMIC 0.1MF
C109	1-117-373-11	s CAPACITOR, (SMD) 150MF/6.3V
C110	1-107-826-11	s CAPACITOR,CHIP CERAMIC 0.1MF
C111	1-107-826-11	s CAPACITOR,CHIP CERAMIC 0.1MF
C112	1-107-826-11	s CAPACITOR,CHIP CERAMIC 0.1MF
C113	1-107-826-11	s CAPACITOR,CHIP CERAMIC 0.1MF
C114	1-107-826-11	s CAPACITOR,CHIP CERAMIC 0.1MF
C115	1-117-232-11	s CAPACITOR, (SMD) 22MF/4V
C116	1-107-826-11	s CAPACITOR,CHIP CERAMIC 0.1MF
C117	1-117-232-11	s CAPACITOR, (SMD) 22MF/4V
C118	1-107-826-11	s CAPACITOR,CHIP CERAMIC 0.1MF
C119	1-107-826-11	s CAPACITOR,CHIP CERAMIC 0.1MF
C120	1-107-826-11	s CAPACITOR,CHIP CERAMIC 0.1MF
C121	1-107-826-11	s CAPACITOR,CHIP CERAMIC 0.1MF
C122	1-107-826-11	s CAPACITOR,CHIP CERAMIC 0.1MF
C123	1-107-682-11	s CAPACITOR,CHIP 1MF/16V (3216)
C124	1-107-826-11	s CAPACITOR,CHIP CERAMIC 0.1MF
C125	1-107-682-11	s CAPACITOR,CHIP 1MF/16V (3216)
C126	1-107-826-11	s CAPACITOR,CHIP CERAMIC 0.1MF

-----  
 \*4: LOT No. 302 through 312  
 \*7: LOT No. 302 through 410 of CUE-1AP mounted circuit board  
 LOT No. 305 through 502 of CUE-1APG mounted circuit board  
 \*i: LOT No. 401 or higher  
 \*j: Board No. suffix 13 or higher  
 \*k: LOT No. 411 or higher  
 \*m: LOT No. 411 or higher of CUE-1AP mounted circuit board  
 LOT No. 503 or higher of CUE-1APG mounted circuit board  
 -----



(DIF-16 BOARD suffix 16, 31 or higher)

(DIF-16 BOARD suffix 16, 31 or higher)

Ref. No. or Q'ty	Part No.	SP	Description
C824	1-107-826-11	s	CAPACITOR,CHIP CERAMIC 0.1MF
C825	1-107-826-11	s	CAPACITOR,CHIP CERAMIC 0.1MF
C826	1-107-826-11	s	CAPACITOR,CHIP CERAMIC 0.1MF
C827	1-107-826-11	s	CAPACITOR,CHIP CERAMIC 0.1MF
C828	1-107-826-11	s	CAPACITOR,CHIP CERAMIC 0.1MF
C829	1-107-826-11	s	CAPACITOR,CHIP CERAMIC 0.1MF
C830	1-107-826-11	s	CAPACITOR,CHIP CERAMIC 0.1MF
C831	1-162-915-11	s	CAPACITOR,CERAMIC 10PF/50V CH
C832	1-107-826-11	s	CAPACITOR,CHIP CERAMIC 0.1MF
C833	1-107-826-11	s	CAPACITOR,CHIP CERAMIC 0.1MF
C834	1-107-826-11	s	CAPACITOR,CHIP CERAMIC 0.1MF
C835	1-107-826-11	s	CAPACITOR,CHIP CERAMIC 0.1MF
C836	1-162-911-11	s	CAPACITOR,CERAMIC 6PF/50V 1608
C837	1-107-826-11	s	CAPACITOR,CHIP CERAMIC 0.1MF
C838	1-107-826-11	s	CAPACITOR,CHIP CERAMIC 0.1MF
C839	1-107-826-11	s	CAPACITOR,CHIP CERAMIC 0.1MF
C840	1-107-826-11	s	CAPACITOR,CHIP CERAMIC 0.1MF
C841	1-107-826-11	s	CAPACITOR,CHIP CERAMIC 0.1MF
C842	1-107-826-11	s	CAPACITOR,CHIP CERAMIC 0.1MF
C843	1-107-826-11	s	CAPACITOR,CHIP CERAMIC 0.1MF
C844	1-107-826-11	s	CAPACITOR,CHIP CERAMIC 0.1MF
C845	1-107-826-11	s	CAPACITOR,CHIP CERAMIC 0.1MF
C846	1-107-826-11	s	CAPACITOR,CHIP CERAMIC 0.1MF
C847	1-107-826-11	s	CAPACITOR,CHIP CERAMIC 0.1MF
C848	1-107-826-11	s	CAPACITOR,CHIP CERAMIC 0.1MF
C849	1-107-826-11	s	CAPACITOR,CHIP CERAMIC 0.1MF
C850	1-107-826-11	s	CAPACITOR,CHIP CERAMIC 0.1MF
C851	1-115-169-11	s	CAPACITOR,TANTAL (SMD) 10MF
C852	1-107-826-11	s	CAPACITOR,CHIP CERAMIC 0.1MF
C853	1-162-907-11	s	CAPACITOR,CERAMIC 2PF/50V(CK)
C854	1-162-907-11	s	CAPACITOR,CERAMIC 2PF/50V(CK)
C855	1-162-907-11	s	CAPACITOR,CERAMIC 2PF/50V(CK)
C901	1-107-826-11	s	CAPACITOR,CHIP CERAMIC 0.1MF
C902	1-107-826-11	s	CAPACITOR,CHIP CERAMIC 0.1MF
C903	1-115-169-11	s	CAPACITOR,TANTAL (SMD) 10MF
C904	1-107-826-11	s	CAPACITOR,CHIP CERAMIC 0.1MF
C905	1-117-373-11	s	CAPACITOR, (SMD) 150MF/6.3V
C906	1-107-826-11	s	CAPACITOR,CHIP CERAMIC 0.1MF
C907	1-107-826-11	s	CAPACITOR,CHIP CERAMIC 0.1MF
C909	1-107-826-11	s	CAPACITOR,CHIP CERAMIC 0.1MF
C911	1-117-373-11	s	CAPACITOR, (SMD) 150MF/6.3V
C912	1-117-232-11	s	CAPACITOR, (SMD) 22MF/4V
C913	1-107-826-11	s	CAPACITOR,CHIP CERAMIC 0.1MF
C914	1-107-826-11	s	CAPACITOR,CHIP CERAMIC 0.1MF
C915	1-107-826-11	s	CAPACITOR,CHIP CERAMIC 0.1MF
C916	1-107-826-11	s	CAPACITOR,CHIP CERAMIC 0.1MF
C917	1-107-826-11	s	CAPACITOR,CHIP CERAMIC 0.1MF
C918	1-107-826-11	s	CAPACITOR,CHIP CERAMIC 0.1MF
C919	1-115-169-11	s	CAPACITOR,TANTAL (SMD) 10MF
C920	1-107-826-11	s	CAPACITOR,CHIP CERAMIC 0.1MF
C921	1-107-826-11	s	CAPACITOR,CHIP CERAMIC 0.1MF
C922	1-107-826-11	s	CAPACITOR,CHIP CERAMIC 0.1MF
C923	1-107-826-11	s	CAPACITOR,CHIP CERAMIC 0.1MF
C924	1-107-826-11	s	CAPACITOR,CHIP CERAMIC 0.1MF
C925	1-107-826-11	s	CAPACITOR,CHIP CERAMIC 0.1MF
C926	1-107-826-11	s	CAPACITOR,CHIP CERAMIC 0.1MF
C927	1-107-826-11	s	CAPACITOR,CHIP CERAMIC 0.1MF
C928	1-107-826-11	s	CAPACITOR,CHIP CERAMIC 0.1MF
C929	1-107-826-11	s	CAPACITOR,CHIP CERAMIC 0.1MF

Ref. No. or Q'ty	Part No.	SP	Description
C930	1-107-826-11	s	CAPACITOR,CHIP CERAMIC 0.1MF
C931	1-162-915-11	s	CAPACITOR,CERAMIC 10PF/50V CH
C932	1-107-826-11	s	CAPACITOR,CHIP CERAMIC 0.1MF
C933	1-107-826-11	s	CAPACITOR,CHIP CERAMIC 0.1MF
C934	1-107-826-11	s	CAPACITOR,CHIP CERAMIC 0.1MF
C935	1-162-911-11	s	CAPACITOR,CERAMIC 6PF/50V 1608
C936	1-107-826-11	s	CAPACITOR,CHIP CERAMIC 0.1MF
C937	1-107-826-11	s	CAPACITOR,CHIP CERAMIC 0.1MF
C938	1-107-826-11	s	CAPACITOR,CHIP CERAMIC 0.1MF
C939	1-107-826-11	s	CAPACITOR,CHIP CERAMIC 0.1MF
C940	1-107-826-11	s	CAPACITOR,CHIP CERAMIC 0.1MF
C941	1-107-826-11	s	CAPACITOR,CHIP CERAMIC 0.1MF
C942	1-107-826-11	s	CAPACITOR,CHIP CERAMIC 0.1MF
C943	1-107-826-11	s	CAPACITOR,CHIP CERAMIC 0.1MF
C944	1-115-169-11	s	CAPACITOR,TANTAL (SMD) 10MF
C945	1-162-907-11	s	CAPACITOR,CERAMIC 2PF/50V(CK)
CN110	1-573-600-21	s	CONNECTOR, PC BOARD (PLUG)100P
CN112	1-573-600-21	s	CONNECTOR, PC BOARD (PLUG)100P
CN450	1-750-880-11	s	RECEPTACLE, COAXIAL CONNECTOR
CN451	1-750-880-11	s	RECEPTACLE, COAXIAL CONNECTOR
CN452	1-750-880-11	s	RECEPTACLE, COAXIAL CONNECTOR
CN456	1-750-880-11	s	RECEPTACLE, COAXIAL CONNECTOR
CN554	1-750-880-11	s	RECEPTACLE, COAXIAL CONNECTOR
CN555	1-750-880-11	s	RECEPTACLE, COAXIAL CONNECTOR
D1	8-719-056-65	s	DIODE ISS372-TE85L
D2	8-719-056-65	s	DIODE ISS372-TE85L
D3	8-719-056-65	s	DIODE ISS372-TE85L
D5	8-719-404-35	s	DIODE MA141WK
D6	8-719-404-35	s	DIODE MA141WK
D100	8-719-071-10	s	DIODE CL-191HR-CD-T
D101	8-719-071-10	s	DIODE CL-191HR-CD-T
D102	8-719-064-52	s	DIODE CL-191YG-CD-T
D401	8-719-071-10	s	DIODE CL-191HR-CD-T
D402	8-719-071-10	s	DIODE CL-191HR-CD-T
D403	8-719-064-52	s	DIODE CL-191YG-CD-T
D404	8-719-064-52	s	DIODE CL-191YG-CD-T
D406	8-719-071-10	s	DIODE CL-191HR-CD-T
D417	8-719-064-52	s	DIODE CL-191YG-CD-T
D418	8-719-064-52	s	DIODE CL-191YG-CD-T
D419	8-719-064-52	s	DIODE CL-191YG-CD-T
D420	8-719-064-52	s	DIODE CL-191YG-CD-T
D421	8-719-071-10	s	DIODE CL-191HR-CD-T
D422	8-719-071-10	s	DIODE CL-191HR-CD-T
D423	8-719-071-10	s	DIODE CL-191HR-CD-T
D424	8-719-071-10	s	DIODE CL-191HR-CD-T
D501	8-719-056-65	s	DIODE ISS372-TE85L
D502	8-719-056-65	s	DIODE ISS372-TE85L
D503	8-719-056-65	s	DIODE ISS372-TE85L
D504	8-719-056-65	s	DIODE ISS372-TE85L
D505	8-719-056-65	s	DIODE ISS372-TE85L
D506	8-719-056-65	s	DIODE ISS372-TE85L
D507	8-719-064-52	s	DIODE CL-191YG-CD-T
D508	8-719-064-52	s	DIODE CL-191YG-CD-T
D509	8-719-064-52	s	DIODE CL-191YG-CD-T
F400	△ 1-533-272-11	s	FUSE, CHIP 4A (6125)
FB101	1-414-864-11	s	INDUCTOR, MICRO (CHIP TYPE)
FB102	1-414-864-11	s	INDUCTOR, MICRO (CHIP TYPE)

(DIF-16 BOARD suffix 16, 31 or higher)

Ref. No. or Q'ty	Part No.	SP	Description
FB103	1-414-864-11	s	INDUCTOR, MICRO (CHIP TYPE)
FB104	1-414-864-11	s	INDUCTOR, MICRO (CHIP TYPE)
FB105	1-414-864-11	s	INDUCTOR, MICRO (CHIP TYPE)
FB106	1-414-864-11	s	INDUCTOR, MICRO (CHIP TYPE)
FB107	1-414-864-11	s	INDUCTOR, MICRO (CHIP TYPE)
FB801	1-414-864-11	s	INDUCTOR, MICRO (CHIP TYPE)
FB802	1-414-864-11	s	INDUCTOR, MICRO (CHIP TYPE)
FB803	1-414-864-11	s	INDUCTOR, MICRO (CHIP TYPE)
FB804	1-414-864-11	s	INDUCTOR, MICRO (CHIP TYPE)
FB805	1-414-864-11	s	INDUCTOR, MICRO (CHIP TYPE)
FB806	1-414-864-11	s	INDUCTOR, MICRO (CHIP TYPE)
FB807	1-414-864-11	s	INDUCTOR, MICRO (CHIP TYPE)
FB901	1-414-864-11	s	INDUCTOR, MICRO (CHIP TYPE)
FB902	1-414-864-11	s	INDUCTOR, MICRO (CHIP TYPE)
FB903	1-414-864-11	s	INDUCTOR, MICRO (CHIP TYPE)
FB904	1-414-864-11	s	INDUCTOR, MICRO (CHIP TYPE)
FB905	1-414-864-11	s	INDUCTOR, MICRO (CHIP TYPE)
FB906	1-414-864-11	s	INDUCTOR, MICRO (CHIP TYPE)
FL201	1-239-898-22	s	FILTER, EMI (SMD)
FL202	1-239-898-22	s	FILTER, EMI (SMD)
FL203	1-239-898-22	s	FILTER, EMI (SMD)
FL204	1-239-898-22	s	FILTER, EMI (SMD)
FL205	1-239-898-22	s	FILTER, EMI (SMD)
FL206	1-239-898-22	s	FILTER, EMI (SMD)
FL207	1-239-898-22	s	FILTER, EMI (SMD)
FL208	1-239-898-22	s	FILTER, EMI (SMD)
FL209	1-239-898-22	s	FILTER, EMI (SMD)
FL210	1-239-898-22	s	FILTER, EMI (SMD)
FL211	1-239-898-22	s	FILTER, EMI (SMD)
FL212	1-239-898-22	s	FILTER, EMI (SMD)
FL213	1-239-898-22	s	FILTER, EMI (SMD)
FL214	1-239-898-22	s	FILTER, EMI (SMD)
FL215	1-239-898-22	s	FILTER, EMI (SMD)
FL216	1-239-898-22	s	FILTER, EMI (SMD)
FL217	1-239-898-22	s	FILTER, EMI (SMD)
FL218	1-239-898-22	s	FILTER, EMI (SMD)
FL219	1-239-898-22	s	FILTER, EMI (SMD)
IC1	8-759-491-46	s	IC TC74VHCT04AFT (EL)
IC2	8-759-524-50	s	IC TC74VHC541FT(EL)
IC3	8-759-392-77	s	IC SN74LVC245APW (E20)
IC4	8-759-524-50	s	IC TC74VHC541FT(EL)
IC5	8-759-082-58	s	IC TC7W08FU
IC6	8-759-524-51	s	IC TC74VHC573FT (EL)
IC7	8-759-524-07	s	IC TC74VHC138FT(EL)
IC8	8-759-524-07	s	IC TC74VHC138FT(EL)
IC10	8-759-524-52	s	IC TC74VHC574FT(EL)
IC11	8-759-524-52	s	IC TC74VHC574FT(EL)
IC12	8-759-523-96	s	IC TC74VHC86FT (EL)
IC13	8-759-271-86	s	IC TC7SH04FU
IC14	8-759-523-94	s	IC TC74VHC32FT(EL)
IC15	8-759-082-58	s	IC TC7W08FU
IC16	8-759-082-58	s	IC TC7W08FU
IC101	8-759-052-52	s	IC L78M05T-FA
IC102	8-759-337-40	s	IC NJM2904V(TE2)
IC103	8-759-460-72	s	IC BA033FP
IC105	8-759-490-41	s	IC TC74VHCT541AFT(EL)
IC106	8-759-490-41	s	IC TC74VHCT541AFT(EL)
IC119	8-759-519-12	s	IC CXD8281Q

(DIF-16 BOARD suffix 16, 31 or higher)

Ref. No. or Q'ty	Part No.	SP	Description
IC123	8-759-172-73	s	IC CXD8385Q
IC126	8-752-078-32	s	IC CXB1341R
IC201	8-759-082-57	s	IC TC7W04FU
IC202	8-759-497-44	s	IC TC7WH125FU(TE12R)
IC203	8-759-196-97	s	IC TC7SH32FU (TE85R)
IC205	8-759-277-63	s	IC TC7W14FU (TE12R)
IC206	8-759-447-77	s	IC TC7WH74FU (TR12R)
IC207	8-759-082-59	s	IC TC7W32FU
IC208	8-759-392-77	s	IC SN74LVC245APW (E20)
IC209	8-759-392-77	s	IC SN74LVC245APW (E20)
IC210	8-759-392-77	s	IC SN74LVC245APW (E20)
IC302	8-759-524-10	s	IC TC74VHC157FT (EL)
IC303	8-759-491-46	s	IC TC74VHCT04AFT (EL)
IC304	8-759-523-97	s	IC TC74VHC123AFT(EL)
IC305	8-759-523-81	s	IC TC74VHC08FT(EL)
IC306	8-759-392-77	s	IC SN74LVC245APW (E20)
IC307	8-759-523-97	s	IC TC74VHC123AFT(EL)
IC308	8-759-524-50	s	IC TC74VHC541FT(EL)
IC309	8-759-524-50	s	IC TC74VHC541FT(EL)
IC408	8-752-078-34	s	IC CXB1342R
IC413	8-759-172-72	s	IC CXD8386AQ
IC433	8-759-289-69	s	IC CXD8280AQ
IC501	8-759-392-77	s	IC SN74LVC245APW (E20)
IC502	8-759-392-77	s	IC SN74LVC245APW (E20)
IC503	8-759-392-77	s	IC SN74LVC245APW (E20)
IC504	8-759-277-19	s	IC UPD485505G-35
IC505	8-759-277-19	s	IC UPD485505G-35
IC506	8-759-490-41	s	IC TC74VHCT541AFT(EL)
IC507	8-759-524-50	s	IC TC74VHC541FT(EL)
IC508	8-759-523-95	s	IC TC74VHC74FT(EL)
IC509	8-759-523-95	s	IC TC74VHC74FT(EL)
IC510	8-759-523-96	s	IC TC74VHC86FT (EL)
IC511	8-759-531-92	s	IC TC7WH04FU(TE12R)
IC512	8-759-491-46	s	IC TC74VHCT04AFT (EL)
IC513	8-759-271-86	s	IC TC7SH04FU
IC602	8-759-430-21	s	IC MSM6524GS-KR1
IC700	8-759-179-75	s	IC CXD8845Q
IC701	8-752-078-32	s	IC CXB1341R
IC704	8-759-271-86	s	IC TC7SH04FU
IC705	8-759-271-86	s	IC TC7SH04FU
IC801	8-759-524-50	s	IC TC74VHC541FT(EL)
IC802	8-759-524-50	s	IC TC74VHC541FT(EL)
IC803	8-759-052-52	s	IC L78M05T-FA
IC804	8-759-337-40	s	IC NJM2904V(TE2)
IC805	8-759-460-72	s	IC BA033FP
IC901	8-759-524-50	s	IC TC74VHC541FT(EL)
IC902	8-759-524-50	s	IC TC74VHC541FT(EL)
IC903	8-759-052-52	s	IC L78M05T-FA
IC905	8-759-460-72	s	IC BA033FP
L1	1-409-579-11	s	COIL, CHOKE 8.2UH
L2	1-409-579-11	s	COIL, CHOKE 8.2UH
L3	1-410-381-11	s	CHIP INDUCTOR 10UH (3225)
L101	1-410-797-11	s	CHIP INDUCTOR 0.015UH (3225)
L201	1-410-803-11	s	CHIP INDUCTOR 0.047UH (3225)
L202	1-410-803-11	s	CHIP INDUCTOR 0.047UH (3225)
L203	1-410-803-11	s	CHIP INDUCTOR 0.047UH (3225)
L501	1-410-803-11	s	CHIP INDUCTOR 0.047UH (3225)
L502	1-410-803-11	s	CHIP INDUCTOR 0.047UH (3225)
L503	1-410-803-11	s	CHIP INDUCTOR 0.047UH (3225)

(DIF-16 BOARD suffix 16, 31 or higher)

(DIF-16 BOARD suffix 16, 31 or higher)

Ref. No. or Q'ty	Part No.	SP	Description
Q1	8-729-907-00	s	TRANSISTOR DTC114EU
Q102	8-729-140-63	s	TRANSISTOR 2SA1611-M5M6
Q103	8-729-043-92	s	TRANSISTOR 2SC5084-0(TE85L)
Q104	8-729-043-92	s	TRANSISTOR 2SC5084-0(TE85L)
Q105	8-729-043-92	s	TRANSISTOR 2SC5084-0(TE85L)
Q106	8-729-043-92	s	TRANSISTOR 2SC5084-0(TE85L)
Q802	8-729-140-63	s	TRANSISTOR 2SA1611-M5M6
Q803	8-729-043-92	s	TRANSISTOR 2SC5084-0(TE85L)
Q804	8-729-043-92	s	TRANSISTOR 2SC5084-0(TE85L)
Q805	8-729-043-92	s	TRANSISTOR 2SC5084-0(TE85L)
Q806	8-729-043-92	s	TRANSISTOR 2SC5084-0(TE85L)
Q807	8-729-043-92	s	TRANSISTOR 2SC5084-0(TE85L)
Q808	8-729-043-92	s	TRANSISTOR 2SC5084-0(TE85L)
Q809	8-729-043-92	s	TRANSISTOR 2SC5084-0(TE85L)
Q810	8-729-043-92	s	TRANSISTOR 2SC5084-0(TE85L)
Q811	8-729-043-92	s	TRANSISTOR 2SC5084-0(TE85L)
Q812	8-729-043-92	s	TRANSISTOR 2SC5084-0(TE85L)
Q813	8-729-043-92	s	TRANSISTOR 2SC5084-0(TE85L)
Q814	8-729-117-32	s	TRANSISTOR 2SC4177
Q815	8-729-117-32	s	TRANSISTOR 2SC4177
Q902	8-729-140-63	s	TRANSISTOR 2SA1611-M5M6
Q903	8-729-043-92	s	TRANSISTOR 2SC5084-0(TE85L)
Q904	8-729-043-92	s	TRANSISTOR 2SC5084-0(TE85L)
Q905	8-729-043-92	s	TRANSISTOR 2SC5084-0(TE85L)
Q906	8-729-043-92	s	TRANSISTOR 2SC5084-0(TE85L)
Q907	8-729-043-92	s	TRANSISTOR 2SC5084-0(TE85L)
Q908	8-729-043-92	s	TRANSISTOR 2SC5084-0(TE85L)
R1	1-218-716-11	s	RESISTOR,CHIP 10K 1/16W(1608)
R2	1-216-864-11	s	RESISTOR,CHIP 0 1/16W (1608)
R3	1-216-864-11	s	RESISTOR,CHIP 0 1/16W (1608)
R4	1-216-864-11	s	RESISTOR,CHIP 0 1/16W (1608)
R5	1-218-692-11	s	RESISTOR,CHIP 1.0K 1/16W(1608)
R6	1-218-740-11	s	RESISTOR,CHIP 100K 1/16W(1608)
R7	1-218-692-11	s	RESISTOR,CHIP 1.0K 1/16W(1608)
R8	1-218-672-11	s	RESISTOR,CHIP 150 1/16W(1608)
R9	*d 1-218-692-11	s	RESISTOR,CHIP 1.0K 1/16W(1608)
	*c 1-218-672-11	s	RESISTOR,CHIP 150 1/16W(1608)
R10	1-218-736-11	s	RESISTOR,CHIP 68K 1/16W(1608)
R11	1-218-716-11	s	RESISTOR,CHIP 10K 1/16W(1608)
R12	1-218-742-11	s	RESISTOR,METAL 120K 1/16
R13	1-218-668-11	s	RESISTOR,CHIP 100 1/16W (1608)
R15	1-218-700-11	s	RESISTOR,CHIP 2.2K 1/16W(1608)
R16	1-218-700-11	s	RESISTOR,CHIP 2.2K 1/16W(1608)
R17	1-218-660-91	s	RESISTOR CHIP 47 1/16W (1608)
R18	1-218-660-91	s	RESISTOR CHIP 47 1/16W (1608)
R19	1-218-692-11	s	RESISTOR,CHIP 1.0K 1/16W(1608)
R20	1-218-700-11	s	RESISTOR,CHIP 2.2K 1/16W(1608)
R101	*b 1-218-708-11	s	RESISTOR,CHIP 4.7K 1/16W(1608)
	*a 1-218-711-11	s	RESISTOR,METAL 6.2K 1/16W
R102	1-218-701-11	s	RESISTOR,CHIP 2.4K 1/16W(1608)
R103	1-218-710-11	s	RESISTOR,CHIP 5.6K 1/16W(1608)
R104	*b 1-218-697-11	s	RESISTOR,CHIP 1.6K 1/16W(1608)
	*a 1-216-678-11	s	RESISTOR,CHIP 270 1/16W (1608)
R107	1-218-660-91	s	RESISTOR CHIP 47 1/16W (1608)
R110	1-218-712-11	s	RESISTOR,METAL 6.8K 1/16W
R111	1-216-864-11	s	RESISTOR,CHIP 0 1/16W (1608)
R112	1-218-718-11	s	RESISTOR CHIP 12K 1/16W (1608)
R113	1-218-684-11	s	RESISTOR CHIP 470 1/16W (1608)
R114	1-218-700-11	s	RESISTOR,CHIP 2.2K 1/16W(1608)
R115	1-218-684-11	s	RESISTOR CHIP 470 1/16W (1608)

Ref. No. or Q'ty	Part No.	SP	Description
R116	1-218-700-11	s	RESISTOR,CHIP 2.2K 1/16W(1608)
R117	1-218-694-11	s	RESISTOR CHIP 1.2K1/16W(1608)
R118	1-218-665-11	s	RESISTOR CHIP 75 1/16W (1608)
R120	1-218-676-11	s	RESISTOR,CHIP 220 1/16W(1608)
R121	1-218-700-11	s	RESISTOR,CHIP 2.2K 1/16W(1608)
R122	1-218-665-11	s	RESISTOR CHIP 75 1/16W (1608)
R123	1-218-665-11	s	RESISTOR CHIP 75 1/16W (1608)
R124	1-218-665-11	s	RESISTOR CHIP 75 1/16W (1608)
R125	1-218-665-11	s	RESISTOR CHIP 75 1/16W (1608)
R127	1-218-678-11	s	RESISTOR CHIP 270 1/16W (1608)
R128	1-218-678-11	s	RESISTOR CHIP 270 1/16W (1608)
R129	1-218-660-91	s	RESISTOR CHIP 47 1/16W (1608)
R130	1-216-623-11	s	RESISTOR,CHIP 68 1/10W(2012)
R131	1-216-612-11	s	RESISTOR,CHIP 24 1/10W(2012)
R132	1-216-618-11	s	RESISTOR,CHIP 43 1/10W(2012)
R133	1-218-674-11	s	RESISTOR CHIP 180 1/16W (1608)
R134	1-216-623-11	s	RESISTOR,CHIP 68 1/10W(2012)
R135	1-216-612-11	s	RESISTOR,CHIP 24 1/10W(2012)
R136	1-216-649-11	s	RESISTOR,CHIP 820 1/10W (2012)
R137	1-218-660-91	s	RESISTOR CHIP 47 1/16W (1608)
R138	1-218-660-91	s	RESISTOR CHIP 47 1/16W (1608)
R139	1-218-660-91	s	RESISTOR CHIP 47 1/16W (1608)
R140	1-218-680-11	s	RESISTOR,CHIP 330 1/16W(1608)
R141	1-218-680-11	s	RESISTOR,CHIP 330 1/16W(1608)
R142	1-216-631-11	s	RESISTOR,CHIP 150 1/10W (2012)
R143	1-216-631-11	s	RESISTOR,CHIP 150 1/10W (2012)
R144	1-218-664-11	s	RESISTOR,CHIP 68 1/16W (1608)
R145	1-218-692-11	s	RESISTOR,CHIP 1.0K 1/16W(1608)
R146	1-218-660-91	s	RESISTOR CHIP 47 1/16W (1608)
R147	1-218-660-91	s	RESISTOR CHIP 47 1/16W (1608)
R150	1-218-660-91	s	RESISTOR CHIP 47 1/16W (1608)
R201	1-218-692-11	s	RESISTOR,CHIP 1.0K 1/16W(1608)
R202	1-218-740-11	s	RESISTOR,CHIP 100K 1/16W(1608)
R203	1-218-660-91	s	RESISTOR CHIP 47 1/16W (1608)
R205	1-218-700-11	s	RESISTOR,CHIP 2.2K 1/16W(1608)
R206	1-218-718-11	s	RESISTOR CHIP 12K 1/16W (1608)
R207	1-216-854-11	s	RESISTOR, CHIP 560K 1/16W 1608
R208	1-218-716-11	s	RESISTOR,CHIP 10K 1/16W(1608)
R211	1-218-660-91	s	RESISTOR CHIP 47 1/16W (1608)
R212	1-218-660-91	s	RESISTOR CHIP 47 1/16W (1608)
R213	1-218-660-91	s	RESISTOR CHIP 47 1/16W (1608)
R301	1-218-660-91	s	RESISTOR CHIP 47 1/16W (1608)
R302	1-218-660-91	s	RESISTOR CHIP 47 1/16W (1608)
R303	1-218-660-91	s	RESISTOR CHIP 47 1/16W (1608)
R306	1-216-854-11	s	RESISTOR, CHIP 560K 1/16W 1608
R307	1-216-854-11	s	RESISTOR, CHIP 560K 1/16W 1608
R308	1-216-854-11	s	RESISTOR, CHIP 560K 1/16W 1608
R309	1-216-854-11	s	RESISTOR, CHIP 560K 1/16W 1608
R310	1-218-668-11	s	RESISTOR,CHIP 100 1/16W (1608)
R311	1-218-668-11	s	RESISTOR,CHIP 100 1/16W (1608)
R312	1-218-660-91	s	RESISTOR CHIP 47 1/16W (1608)
R313	1-218-660-91	s	RESISTOR CHIP 47 1/16W (1608)
R314	1-218-660-91	s	RESISTOR CHIP 47 1/16W (1608)
R402	1-216-864-11	s	RESISTOR,CHIP 0 1/16W (1608)
R501	1-218-660-91	s	RESISTOR CHIP 47 1/16W (1608)
R502	1-218-660-91	s	RESISTOR CHIP 47 1/16W (1608)
R503	1-218-660-91	s	RESISTOR CHIP 47 1/16W (1608)
R504	1-218-660-91	s	RESISTOR CHIP 47 1/16W (1608)
R505	1-218-660-91	s	RESISTOR CHIP 47 1/16W (1608)
R506	1-218-660-91	s	RESISTOR CHIP 47 1/16W (1608)

(DIF-16 BOARD suffix 16, 31 or higher)

Ref. No. or Q'ty	Part No.	SP	Description
R508	1-218-722-11	s	RESISTOR, CHIP 18K 1/16W 1608
R509	1-218-722-11	s	RESISTOR, CHIP 18K 1/16W 1608
R510	1-218-722-11	s	RESISTOR, CHIP 18K 1/16W 1608
R511	1-218-740-11	s	RESISTOR,CHIP 100K 1/16W(1608)
R512	1-218-740-11	s	RESISTOR,CHIP 100K 1/16W(1608)
R513	1-218-740-11	s	RESISTOR,CHIP 100K 1/16W(1608)
R514	1-218-668-11	s	RESISTOR,CHIP 100 1/16W (1608)
R515	1-218-668-11	s	RESISTOR,CHIP 100 1/16W (1608)
R516	*d 1-218-700-11	s	RESISTOR,CHIP 2.2K 1/16W(1608)
	*c 1-218-676-11	s	RESISTOR,CHIP 220 1/16W(1608)
R517	*d 1-218-700-11	s	RESISTOR,CHIP 2.2K 1/16W(1608)
	*c 1-218-676-11	s	RESISTOR,CHIP 220 1/16W(1608)
R518	*d 1-218-700-11	s	RESISTOR,CHIP 2.2K 1/16W(1608)
	*c 1-218-676-11	s	RESISTOR,CHIP 220 1/16W(1608)
R520	1-216-864-11	s	RESISTOR,CHIP 0 1/16W (1608)
R601	1-218-660-91	s	RESISTOR CHIP 47 1/16W (1608)
R602	1-216-864-11	s	RESISTOR,CHIP 0 1/16W (1608)
R603	1-216-864-11	s	RESISTOR,CHIP 0 1/16W (1608)
R604	1-216-864-11	s	RESISTOR,CHIP 0 1/16W (1608)
R605	1-216-864-11	s	RESISTOR,CHIP 0 1/16W (1608)
R607	1-216-864-11	s	RESISTOR,CHIP 0 1/16W (1608)
R608	1-218-660-91	s	RESISTOR CHIP 47 1/16W (1608)
R611	1-218-660-91	s	RESISTOR CHIP 47 1/16W (1608)
R612	1-216-864-11	s	RESISTOR,CHIP 0 1/16W (1608)
R701	1-218-728-11	s	RESISTOR,METAL 33K 1/16W
R702	1-218-728-11	s	RESISTOR,METAL 33K 1/16W
R703	1-218-676-11	s	RESISTOR,CHIP 220 1/16W(1608)
R704	1-218-676-11	s	RESISTOR,CHIP 220 1/16W(1608)
R705	1-218-660-91	s	RESISTOR CHIP 47 1/16W (1608)
R706	1-218-660-91	s	RESISTOR CHIP 47 1/16W (1608)
R707	1-218-660-91	s	RESISTOR CHIP 47 1/16W (1608)
R804	1-216-864-11	s	RESISTOR,CHIP 0 1/16W (1608)
R807	*b 1-218-708-11	s	RESISTOR,CHIP 4.7K 1/16W(1608)
	*a 1-218-711-11	s	RESISTOR,METAL 6.2K 1/16W
R808	1-218-701-11	s	RESISTOR,CHIP 2.4K 1/16W(1608)
R809	1-218-710-11	s	RESISTOR,CHIP 5.6K 1/16W(1608)
R810	*b 1-218-697-11	s	RESISTOR,CHIP 1.6K 1/16W(1608)
	*a 1-218-678-11	s	RESISTOR,CHIP 270 1/16W (1608)
R812	1-218-660-91	s	RESISTOR CHIP 47 1/16W (1608)
R814	1-218-712-11	s	RESISTOR,METAL 6.8K 1/16W
R817	1-216-864-11	s	RESISTOR,CHIP 0 1/16W (1608)
R818	1-218-718-11	s	RESISTOR CHIP 12K 1/16W (1608)
R819	1-218-684-11	s	RESISTOR CHIP 470 1/16W (1608)
R820	1-218-720-11	s	RESISTOR,CHIP 15K 1/16W(1608)
R821	1-218-720-11	s	RESISTOR,CHIP 15K 1/16W(1608)
R822	1-218-700-11	s	RESISTOR,CHIP 2.2K 1/16W(1608)
R823	1-218-700-11	s	RESISTOR,CHIP 2.2K 1/16W(1608)
R824	1-218-696-11	s	RESISTOR CHIP 1.5K 1/16W(1608)
R825	1-218-700-11	s	RESISTOR,CHIP 2.2K 1/16W(1608)
R827	1-218-678-11	s	RESISTOR CHIP 270 1/16W (1608)
R828	1-218-660-91	s	RESISTOR CHIP 47 1/16W (1608)
R829	1-218-660-91	s	RESISTOR CHIP 47 1/16W (1608)
R830	1-218-692-11	s	RESISTOR,CHIP 1.0K 1/16W(1608)
R831	1-218-660-91	s	RESISTOR CHIP 47 1/16W (1608)
R832	1-218-678-11	s	RESISTOR CHIP 270 1/16W (1608)
R833	1-218-660-91	s	RESISTOR CHIP 47 1/16W (1608)
R834	1-218-660-91	s	RESISTOR CHIP 47 1/16W (1608)
R835	1-216-610-11	s	RESISTOR,CHIP 20 1/10W(2012)
R836	1-216-618-11	s	RESISTOR,CHIP 43 1/10W(2012)
R837	1-216-623-11	s	RESISTOR,CHIP 68 1/10W(2012)

(DIF-16 BOARD suffix 16, 31 or higher)

Ref. No. or Q'ty	Part No.	SP	Description
R838	1-218-674-11	s	RESISTOR CHIP 180 1/16W (1608)
R839	1-216-612-11	s	RESISTOR,CHIP 24 1/10W(2012)
R840	1-216-618-11	s	RESISTOR,CHIP 43 1/10W(2012)
R841	1-216-624-11	s	RESISTOR,CHIP 75 1/10W(2012)
R842	1-216-613-11	s	RESISTOR,CHIP 27 1/10W(2012)
R843	1-218-678-11	s	RESISTOR CHIP 270 1/16W (1608)
R844	1-216-627-11	s	RESISTOR,CHIP 100 1/10W (2012)
R845	1-216-623-11	s	RESISTOR,CHIP 68 1/10W(2012)
R846	1-216-612-11	s	RESISTOR,CHIP 24 1/10W(2012)
R847	1-216-649-11	s	RESISTOR,CHIP 820 1/10W (2012)
R848	1-216-624-11	s	RESISTOR,CHIP 75 1/10W(2012)
R849	1-216-613-11	s	RESISTOR,CHIP 27 1/10W(2012)
R850	1-218-711-11	s	RESISTOR,METAL 6.2K 1/16W
R851	1-218-716-11	s	RESISTOR,CHIP 10K 1/16W(1608)
R852	1-218-644-11	s	RESISTOR,METAL 10 1/16W
R853	1-218-644-11	s	RESISTOR,METAL 10 1/16W
R854	1-218-644-11	s	RESISTOR,METAL 10 1/16W
R855	1-218-660-91	s	RESISTOR CHIP 47 1/16W (1608)
R856	1-218-660-91	s	RESISTOR CHIP 47 1/16W (1608)
R857	1-216-631-11	s	RESISTOR,CHIP 150 1/10W (2012)
R858	1-216-627-11	s	RESISTOR,CHIP 100 1/10W (2012)
R859	1-216-631-11	s	RESISTOR,CHIP 150 1/10W (2012)
R860	1-216-627-11	s	RESISTOR,CHIP 100 1/10W (2012)
R861	1-218-684-11	s	RESISTOR CHIP 470 1/16W (1608)
R862	1-216-631-11	s	RESISTOR,CHIP 150 1/10W (2012)
R863	1-218-692-11	s	RESISTOR,CHIP 1.0K 1/16W(1608)
R864	1-218-692-11	s	RESISTOR,CHIP 1.0K 1/16W(1608)
R865	1-218-692-11	s	RESISTOR,CHIP 1.0K 1/16W(1608)
R866	1-218-664-11	s	RESISTOR,CHIP 68 1/16W (1608)
R867	1-218-664-11	s	RESISTOR,CHIP 68 1/16W (1608)
R868	1-218-664-11	s	RESISTOR,CHIP 68 1/16W (1608)
R904	1-216-864-11	s	RESISTOR,CHIP 0 1/16W (1608)
R907	*b 1-218-708-11	s	RESISTOR,CHIP 4.7K 1/16W(1608)
	*a 1-218-711-11	s	RESISTOR,METAL 6.2K 1/16W
R908	1-218-701-11	s	RESISTOR,CHIP 2.4K 1/16W(1608)
R909	1-218-710-11	s	RESISTOR,CHIP 5.6K 1/16W(1608)
R910	*b 1-218-697-11	s	RESISTOR,CHIP 1.6K 1/16W(1608)
	*a 1-218-678-11	s	RESISTOR,CHIP 270 1/16W (1608)
R912	1-218-660-91	s	RESISTOR CHIP 47 1/16W (1608)
R914	1-218-712-11	s	RESISTOR,METAL 6.8K 1/16W
R917	1-216-864-11	s	RESISTOR,CHIP 0 1/16W (1608)
R918	1-218-718-11	s	RESISTOR CHIP 12K 1/16W (1608)
R919	1-218-684-11	s	RESISTOR CHIP 470 1/16W (1608)
R920	1-218-720-11	s	RESISTOR,CHIP 15K 1/16W(1608)
R921	1-218-720-11	s	RESISTOR,CHIP 15K 1/16W(1608)
R922	1-218-700-11	s	RESISTOR,CHIP 2.2K 1/16W(1608)
R923	1-218-700-11	s	RESISTOR,CHIP 2.2K 1/16W(1608)
R924	1-218-696-11	s	RESISTOR CHIP 1.5K 1/16W(1608)
R925	1-218-700-11	s	RESISTOR,CHIP 2.2K 1/16W(1608)
R927	1-218-678-11	s	RESISTOR CHIP 270 1/16W (1608)
R928	1-218-660-91	s	RESISTOR CHIP 47 1/16W (1608)
R929	1-218-660-91	s	RESISTOR CHIP 47 1/16W (1608)
R930	1-218-692-11	s	RESISTOR,CHIP 1.0K 1/16W(1608)
R931	1-218-660-91	s	RESISTOR CHIP 47 1/16W (1608)
R932	1-218-678-11	s	RESISTOR CHIP 270 1/16W (1608)
R933	1-218-660-91	s	RESISTOR CHIP 47 1/16W (1608)
R934	1-216-610-11	s	RESISTOR,CHIP 20 1/10W(2012)
R935	1-216-618-11	s	RESISTOR,CHIP 43 1/10W(2012)
R936	1-216-623-11	s	RESISTOR,CHIP 68 1/10W(2012)
R937	1-218-674-11	s	RESISTOR CHIP 180 1/16W (1608)

(DIF-16 BOARD suffix 16, 31 or higher)

Ref. No. or Q'ty	Part No.	SP	Description
R938	1-216-612-11	s	RESISTOR,CHIP 24 1/10W(2012)
R939	1-216-618-11	s	RESISTOR,CHIP 43 1/10W(2012)
R940	1-218-678-11	s	RESISTOR CHIP 270 1/16W (1608)
R941	1-216-623-11	s	RESISTOR,CHIP 68 1/10W(2012)
R942	1-216-612-11	s	RESISTOR,CHIP 24 1/10W(2012)
R943	1-216-649-11	s	RESISTOR,CHIP 820 1/10W (2012)
R944	1-218-660-91	s	RESISTOR CHIP 47 1/16W (1608)
R945	1-218-660-91	s	RESISTOR CHIP 47 1/16W (1608)
R946	1-218-660-91	s	RESISTOR CHIP 47 1/16W (1608)
R947	1-218-711-11	s	RESISTOR,METAL 6.2K 1/16W
R948	1-218-716-11	s	RESISTOR,CHIP 10K 1/16W(1608)
R949	1-216-631-11	s	RESISTOR,CHIP 150 1/10W (2012)
R950	1-216-631-11	s	RESISTOR,CHIP 150 1/10W (2012)
R951	1-218-692-11	s	RESISTOR,CHIP 1.0K 1/16W(1608)
R952	1-218-664-11	s	RESISTOR,CHIP 68 1/16W (1608)
RB1	1-239-389-11	s	NETWORK,RESISTOR 47K (1608)
RB2	1-239-389-11	s	NETWORK,RESISTOR 47K (1608)
RB4	1-239-308-11	s	RESISTOR ARRAY,CHIP 47K
RB5	1-239-389-11	s	NETWORK,RESISTOR 47K (1608)
RB6	1-236-904-11	s	RESISTOR NETWORK 1K (1608)
RB7	*d 1-239-631-11	s	RESISTOR NETWORK (CHIP TYPE)
	*c 1-239-628-11	s	RESISTOR NETWORK (CHIP TYPE)
RB101	1-239-407-11	s	NETWORK, RESISTOR(CHIP TYPE)
RB102	1-239-407-11	s	NETWORK, RESISTOR(CHIP TYPE)
RB103	1-239-407-11	s	NETWORK, RESISTOR(CHIP TYPE)
RB301	1-239-412-11	s	NETWORK, RESISTOR 100 (1608)
RB302	*d 1-239-631-11	s	RESISTOR NETWORK (CHIP TYPE)
	*c 1-239-628-11	s	RESISTOR NETWORK (CHIP TYPE)
RB501	1-239-628-11	s	RESISTOR NETWORK (CHIP TYPE)
RB502	1-239-628-11	s	RESISTOR NETWORK (CHIP TYPE)
RB503	1-239-628-11	s	RESISTOR NETWORK (CHIP TYPE)
RB504	1-239-409-11	s	RESISTOR NETWORK 47 (1608)
RB505	1-239-409-11	s	RESISTOR NETWORK 47 (1608)
RB703	1-239-409-11	s	RESISTOR NETWORK 47 (1608)
RB704	1-239-409-11	s	RESISTOR NETWORK 47 (1608)
RB705	1-239-409-11	s	RESISTOR NETWORK 47 (1608)
RB710	1-239-409-11	s	RESISTOR NETWORK 47 (1608)
RB711	1-239-409-11	s	RESISTOR NETWORK 47 (1608)
RB712	1-239-409-11	s	RESISTOR NETWORK 47 (1608)
RB801	1-239-407-11	s	NETWORK, RESISTOR(CHIP TYPE)
RB802	1-239-407-11	s	NETWORK, RESISTOR(CHIP TYPE)
RB803	1-239-407-11	s	NETWORK, RESISTOR(CHIP TYPE)
RB901	1-239-407-11	s	NETWORK, RESISTOR(CHIP TYPE)
RB902	1-239-407-11	s	NETWORK, RESISTOR(CHIP TYPE)
RB903	1-239-407-11	s	NETWORK, RESISTOR(CHIP TYPE)

-----  
DIF-16 BOARD suffix 11 through 13  
-----

Ref. No. or Q'ty	Part No.	SP	Description
lpc	A-8275-074-A	o	MOUNTED CIRCUIT BOARD, DIF-16P (For Europa model)
	A-8275-270-A	o	MOUNTED CIRCUIT BOARD, DIF-16PG (For USA and Canada models)
lpc	3-171-453-03	o	PLATE (L), SHIELD, CARD
lpc	3-171-454-02	o	SHEET (L), CARD
lpc	7-682-902-11	s	SCREW +PWH 2.6x5
lpc	3-179-084-01	s	LEVER (R), PC BOARD
lpc	3-179-085-01	s	LEVER (L), PC BOARD
C1	1-164-489-11	s	CERAMIC, CHIP 0.22uF 10% 16V (2125)
C2	1-164-489-11	s	CERAMIC, CHIP 0.22uF 10% 16V (2125)
C5	1-164-489-11	s	CERAMIC, CHIP 0.22uF 10% 16V (2125)
C100	1-126-964-11	s	ELECT 10uF 20% 50V
C101	1-126-964-11	s	ELECT 10uF 20% 50V
C102	1-164-232-11	s	CERAMIC, CHIP 0.01uF 10% 100V (2125)
C103	1-164-232-11	s	CERAMIC, CHIP 0.01uF 10% 100V (2125)
C104	1-126-964-11	s	ELECT 10uF 20% 50V
C105	1-164-232-11	s	CERAMIC, CHIP 0.01uF 10% 100V (2125)
C106-110	1-163-099-00	s	CERAMIC, CHIP 18pF 5% 50V (2125)
C118	1-126-964-11	s	ELECT 10uF 20% 50V
C119	1-164-232-11	s	CERAMIC, CHIP 0.01uF 10% 100V (2125)
C122	1-163-038-00	s	CERAMIC, CHIP 0.1uF 25V (2125)
C123	1-163-038-00	s	CERAMIC, CHIP 0.1uF 25V (2125)
C124	1-126-964-11	s	ELECT 10uF 20% 50V
C125-129	1-163-038-00	s	CERAMIC, CHIP 0.1uF 25V (2125)
C130	1-163-121-00	s	CERAMIC, CHIP 150pF 5% 50V (2125)
C132	1-126-964-11	s	ELECT 10uF 20% 50V
C133	1-163-038-00	s	CERAMIC, CHIP 0.1uF 25V (2125)
C134	1-163-038-00	s	CERAMIC, CHIP 0.1uF 25V (2125)
C136-142	1-163-038-00	s	CERAMIC, CHIP 0.1uF 25V (2125)
C143	*2 1-163-038-00	s	CERAMIC, CHIP 0.1uF 25V (2125)
C144	1-163-038-00	s	CERAMIC, CHIP 0.1uF 25V (2125)
C145	1-126-964-11	s	ELECT 10uF 20% 50V
C148	1-163-038-00	s	CERAMIC, CHIP 0.1uF 25V (2125)
C150	1-163-038-00	s	CERAMIC, CHIP 0.1uF 25V (2125)
C152	1-163-038-00	s	CERAMIC, CHIP 0.1uF 25V (2125)
C154	1-163-038-00	s	CERAMIC, CHIP 0.1uF 25V (2125)
C156	1-163-038-00	s	CERAMIC, CHIP 0.1uF 25V (2125)
C158	1-163-038-00	s	CERAMIC, CHIP 0.1uF 25V (2125)
C160	1-163-038-00	s	CERAMIC, CHIP 0.1uF 25V (2125)
C162-165	1-163-038-00	s	CERAMIC, CHIP 0.1uF 25V (2125)
C167	1-163-038-00	s	CERAMIC, CHIP 0.1uF 25V (2125)
C169	1-163-038-00	s	CERAMIC, CHIP 0.1uF 25V (2125)
C171-173	1-163-038-00	s	CERAMIC, CHIP 0.1uF 25V (2125)
C175	1-163-038-00	s	CERAMIC, CHIP 0.1uF 25V (2125)
C176	1-163-038-00	s	CERAMIC, CHIP 0.1uF 25V (2125)
C178-180	1-163-038-00	s	CERAMIC, CHIP 0.1uF 25V (2125)
C182	1-163-038-00	s	CERAMIC, CHIP 0.1uF 25V (2125)
C184-193	1-163-038-00	s	CERAMIC, CHIP 0.1uF 25V (2125)
C195-202	1-163-038-00	s	CERAMIC, CHIP 0.1uF 25V (2125)
C204	*5 1-163-227-11	s	CERAMIC, CHIP 10pF 5% 50V (2125)
	*3 1-162-199-31	s	CERAMIC 10pF 5% 50V
C300	*4 1-163-038-00	s	CERAMIC, CHIP 0.1uF 25V (2125)
	*1 1-161-772-11	s	CERAMIC 0.1uF 10% 25V
C400	1-163-038-00	s	CERAMIC, CHIP 0.1uF 25V (2125)

-----  
\*1: Board No. suffix 11 only  
\*2: Board No. suffix 11 or 12  
\*3: Board No. suffix 12 only  
\*4: Board No. suffix 12 or higher  
\*5: Board No. suffix 13 or higher  
-----



(DIF-16 BOARD suffix 11 through 13)

Ref. No. or Q'ty	Part No.	SP	Description
C401	*4 1-164-232-11	s	CERAMIC, CHIP 0.01uF 10% 100V
	*1 1-161-051-00	s	CERAMIC 0.01uF 10% 50V
C402	1-126-933-11	s	ELECT 100uF 20% 16V
C403	1-126-933-11	s	ELECT 100uF 20% 16V
C404	*4 1-164-232-11	s	CERAMIC, CHIP 0.01uF 10% 100V
	*1 1-161-051-00	s	CERAMIC 0.01uF 10% 50V
C405	1-126-233-11	s	ELECT 22uF 20% 50V
C406	1-126-233-11	s	ELECT 22uF 20% 50V
C407	1-163-038-00	s	CERAMIC, CHIP 0.1uF 25V (2125)
C408	1-164-232-11	s	CERAMIC, CHIP 0.01uF 10% 100V
C409-411	1-163-038-00	s	CERAMIC, CHIP 0.1uF 25V (2125)
C413	1-163-243-11	s	CERAMIC, CHIP 47pF 5% 50V (2125)
C414	1-126-933-11	s	ELECT 100uF 20% 16V
C415	1-126-933-11	s	ELECT 100uF 20% 16V
C416-420	1-163-038-00	s	CERAMIC, CHIP 0.1uF 25V (2125)
C421	1-163-233-11	s	CERAMIC, CHIP 18pF 5% 50V (2125)
C422	1-126-933-11	s	ELECT 100uF 20% 16V
C423	1-163-038-00	s	CERAMIC, CHIP 0.1uF 25V (2125)
C424	*5 1-164-222-11	s	CERAMIC, CHIP 0.22uF 25V (2125)
C425	*5 1-164-222-11	s	CERAMIC, CHIP 0.22uF 25V (2125)
C427	1-126-933-11	s	ELECT 100uF 20% 16V
C428	1-126-933-11	s	ELECT 100uF 20% 16V
C429	1-163-038-00	s	CERAMIC, CHIP 0.1uF 25V (2125)
C430	1-163-038-00	s	CERAMIC, CHIP 0.1uF 25V (2125)
C432	1-126-964-11	s	ELECT 10uF 20% 50V
C433-438	1-163-038-00	s	CERAMIC, CHIP 0.1uF 25V (2125)
C439	1-126-964-11	s	ELECT 10uF 20% 50V
C440	1-126-964-11	s	ELECT 10uF 20% 50V
C441-443	1-163-038-00	s	CERAMIC, CHIP 0.1uF 25V (2125)
C444	1-164-232-11	s	CERAMIC, CHIP 0.01uF 10% 100V
C445-456	1-163-038-00	s	CERAMIC, CHIP 0.1uF 25V (2125)
C457	1-126-964-11	s	ELECT 10uF 20% 50V
C458	1-126-964-11	s	ELECT 10uF 20% 50V
C459	1-163-038-00	s	CERAMIC, CHIP 0.1uF 25V (2125)
C462	1-163-038-00	s	CERAMIC, CHIP 0.1uF 25V (2125)
C463-465	1-126-964-11	s	ELECT 10uF 20% 50V
C466-468	1-164-232-11	s	CERAMIC, CHIP 0.01uF 10% 100V
C476	1-126-964-11	s	ELECT 10uF 20% 50V
C479-482	1-163-038-00	s	CERAMIC, CHIP 0.1uF 25V (2125)
C483	1-126-964-11	s	ELECT 10uF 20% 50V
C484	1-164-232-11	s	CERAMIC, CHIP 0.01uF 10% 100V
C485	1-126-233-11	s	ELECT 22uF 20% 50V
C486	1-126-964-11	s	ELECT 10uF 20% 50V
C487	1-126-964-11	s	ELECT 10uF 20% 50V
C600	*5 1-163-275-11	s	CERAMIC, CHIP 0.001uF 5% 50V
	*2 1-163-038-00	s	CERAMIC, CHIP 0.1uF 25V (2125)
C601	1-164-232-11	s	CERAMIC, CHIP 0.01uF 10% 100V
C602	1-126-964-11	s	ELECT 10uF 20% 50V
C700	1-163-038-00	s	CERAMIC, CHIP 0.1uF 25V (2125)
C701	1-163-038-00	s	CERAMIC, CHIP 0.1uF 25V (2125)
C702	1-126-964-11	s	ELECT 10uF 20% 50V
C703-705	1-163-038-00	s	CERAMIC, CHIP 0.1uF 25V (2125)
C706	1-163-121-00	s	CERAMIC, CHIP 150pF 5% 50V (2125)
C708	1-163-038-00	s	CERAMIC, CHIP 0.1uF 25V (2125)
C709	1-126-964-11	s	ELECT 10uF 20% 50V
C710	1-163-038-00	s	CERAMIC, CHIP 0.1uF 25V (2125)

-----  
\*1: Board No. suffix 11 only  
\*2: Board No. suffix 11 or 12

(DIF-16 BOARD suffix 11 through 13)

Ref. No. or Q'ty	Part No.	SP	Description
C712	1-126-964-11	s	ELECT 10uF 20% 50V
C713-715	1-163-038-00	s	CERAMIC, CHIP 0.1uF 25V (2125)
C716	*5 1-163-038-00	s	CERAMIC, CHIP 0.1uF 25V (2125)
C809	*2 1-163-038-00	s	CERAMIC, CHIP 0.1uF 25V (2125)
CN1	1-564-947-11	s	CONNECTOR, 2P, MALE
CN110	1-573-600-21	s	CONNECTOR, PHEC 100P, MALE
CN112	1-573-600-21	s	CONNECTOR, PHEC 100P, MALE
CN450	1-750-880-11	s	CONNECTOR, COAXIAL, MALE
CN451	1-750-880-11	s	CONNECTOR, COAXIAL, MALE
CN452	1-750-880-11	s	CONNECTOR, COAXIAL, MALE
CN456	1-750-880-11	s	CONNECTOR, COAXIAL, MALE
CN554	1-750-880-11	s	CONNECTOR, COAXIAL, MALE
CN555	1-750-880-11	s	CONNECTOR, COAXIAL, MALE
D100	8-719-989-22	s	LED CL-150R-CD, RED
D101	8-719-989-22	s	LED CL-150R-CD, RED
D102	8-719-987-43	s	LED CL-150PG-CD, GRN
D103	8-719-404-35	s	DIODE MA141WK
D400	8-719-404-35	s	DIODE MA141WK
D401	8-719-989-22	s	LED CL-150R-CD, RED
D402	8-719-989-22	s	LED CL-150R-CD, RED
D403	8-719-987-43	s	LED CL-150PG-CD, GRN
D404	8-719-987-43	s	LED CL-150PG-CD, GRN
D405	8-719-404-35	s	DIODE MA141WK
D406	8-719-989-22	s	LED CL-150R-CD, RED
D417-420	8-719-987-43	s	LED CL-150PG-CD, GRN
D421-424	8-719-989-22	s	LED CL-150R-CD, RED
D600-602	8-719-023-69	s	DIODE SB007T03Q
D700	8-719-404-35	s	DIODE MA141WK
FB102	1-543-309-21	s	BEAD, FERRITE
FB103	1-543-309-21	s	BEAD, FERRITE
FB104	1-543-309-21	s	BEAD, FERRITE
FB105	1-543-309-21	s	BEAD, FERRITE
FB106	1-543-309-21	s	BEAD, FERRITE
FB400	1-543-309-21	s	BEAD, FERRITE
FB401	*1 -----	-	WIRE, JUMPER
FB402	1-543-309-21	s	BEAD, FERRITE
FB403	1-543-309-21	s	BEAD, FERRITE
FB404	1-543-309-21	s	BEAD, FERRITE
FB405	1-543-309-21	s	BEAD, FERRITE
FB406	1-543-309-21	s	BEAD, FERRITE
FB700	1-543-309-21	s	BEAD, FERRITE
FB701	1-543-309-21	s	BEAD, FERRITE
FB702	1-543-309-21	s	BEAD, FERRITE
FB703	1-543-309-21	s	BEAD, FERRITE
FB704	1-543-309-21	s	BEAD, FERRITE
FL400-418	1-239-719-31	s	FILTER, NOISE, CHIP
IC1	8-759-925-90	s	IC SN74HC74ANS
IC2	8-759-032-32	s	IC MC74HC132AF
IC3	8-759-925-85	s	IC SN74HC32ANS
IC100	8-759-986-62	s	IC 74ACT574SJ
IC101	8-759-986-62	s	IC 74ACT574SJ
IC110	8-759-277-19	s	IC UPD485505G-35
IC113	8-759-277-19	s	IC UPD485505G-35

-----  
\*4: Board No. suffix 12 or higher  
\*5: Board No. suffix 13 or higher

(DIF-16 BOARD suffix 11 through 13)

Ref. No. or Q'ty	Part No.	SP	Description
IC114	8-759-991-85	s	IC 74F00SJ
IC115	8-759-548-77	s	IC SN74LV245ANSR
IC116	8-759-925-74	s	IC SN74HC04ANS
IC117	8-759-986-33	s	IC 74ACT245SJ
IC118	8-759-548-77	s	IC SN74LV245ANSR
IC119	8-759-519-12	s	IC CXD8281Q
IC120 *2	8-759-989-05	s	IC 74F158ASJ
IC121 *2	8-759-925-82	s	IC SN74HC21ANS
IC123	8-759-172-73	s	IC CXD8385Q
IC124	8-741-601-11	s	IC SBX1601A
IC125	8-759-992-69	s	IC 74F245SJ
IC130	8-759-548-77	s	IC SN74LV245ANSR
IC131	8-759-548-77	s	IC SN74LV245ANSR
IC135	8-759-908-17	s	IC TL082CPS
IC215	8-759-548-77	s	IC SN74LV245ANSR
IC400	8-759-925-85	s	IC SN74HC32ANS
IC401	8-759-822-95	s	IC L79M05T-FA
IC402	8-759-822-95	s	IC L79M05T-FA
IC403	8-759-822-95	s	IC L79M05T-FA
IC404	8-759-822-95	s	IC L79M05T-FA
IC405 *5	8-759-032-32	s	IC MC74HC132AF
IC406	8-759-209-57	s	IC TC4S69F
IC407 *5	8-759-925-90	s	IC SN74HC74ANS
IC408	8-741-602-13	s	IC SBX1602A
IC409	8-759-209-57	s	IC TC4S69F
IC410	8-759-001-25	s	IC MC10125L
IC411	8-759-001-25	s	IC MC10125L
IC412	8-759-001-25	s	IC MC10125L
IC413	8-759-172-72	s	IC CXD8386AQ
IC421	8-759-673-45	s	IC MM74HC08SJX
IC429	8-759-925-74	s	IC SN74HC04ANS
IC432 *2	8-759-673-45	s	IC MM74HC08SJX
IC433	8-759-289-69	s	IC CXD8280AQ
IC435	8-759-908-17	s	IC TL082CPS
IC436 *2	8-759-008-40	s	IC MC74HC4078F
IC437 *2	8-759-007-80	s	IC MC74HC175F
IC438	8-759-239-55	s	IC TC74HC123AF
IC439	8-759-926-49	s	IC SN74HC245ANS
IC440	8-759-239-55	s	IC TC74HC123AF
IC441	8-759-926-49	s	IC SN74HC245ANS
IC442	8-759-986-22	s	IC 74ACT157SJ
IC444	8-759-925-74	s	IC SN74HC04ANS
IC445	8-759-052-52	s	IC L78M05T-FA
IC446	8-759-543-66	s	IC SN74LVTH245ANS
IC447	8-759-543-66	s	IC SN74LVTH245ANS
IC448	8-759-543-66	s	IC SN74LVTH245ANS
IC449	8-759-543-66	s	IC SN74LVTH245ANS
IC461	8-759-982-91	s	IC 74F157ASJ
IC600	8-759-926-49	s	IC SN74HC245ANS
IC601	8-759-926-80	s	IC SN74HC573BNS
IC602 *5	8-759-430-21	s	IC MSM6524GS-KR1
IC603	8-759-926-11	s	IC SN74HC138ANS
IC604	8-759-926-11	s	IC SN74HC138ANS
IC605	8-759-926-49	s	IC SN74HC245ANS
IC606	8-759-926-82	s	IC SN74HC574ANS
IC609 *2	8-759-239-55	s	IC TC74HC123AF

\*2: Board No. suffix 11 or 12

(DIF-16 BOARD suffix 11 through 13)

Ref. No. or Q'ty	Part No.	SP	Description
IC610	8-759-673-45	s	IC MM74HC08SJX
IC625	8-759-926-82	s	IC SN74HC574ANS
IC700	8-759-179-75	s	IC CXD8845Q
IC701	8-741-601-11	s	IC SBX1601A
IC705 *2	8-759-926-49	s	IC SN74HC245ANS
L100-103	1-410-803-31	s	INDUCTOR, CHIP 0.047uH
L104	1-410-785-31	s	INDUCTOR 0.22uH
L400	1-412-533-21	s	INDUCTOR 47uH
L401	1-412-533-21	s	INDUCTOR 47uH
L403-405	1-410-803-31	s	INDUCTOR, CHIP 0.047uH
L408	1-410-803-31	s	INDUCTOR, CHIP 0.047uH
L600	1-410-381-11	s	INDUCTOR, CHIP 10uH
L700	1-410-785-31	s	INDUCTOR 0.22uH
PS400	▲ 1-533-347-21	s	LINK, IC, CHIP 0.5A (For Europa model)
	▲ 1-533-271-21	s	FUSE, CHIP 0.5A 125V (For USA and Canada models)
Q103	8-729-140-63	s	TRANSISTOR 2SA1611-M5M6
Q104	8-729-117-32	s	TRANSISTOR 2SC4177-L6
Q105	8-729-905-12	s	TRANSISTOR DTA144EU
Q106	8-729-140-63	s	TRANSISTOR 2SA1611-M5M6
Q107-112	8-729-043-92	s	TRANSISTOR 2SC5084-0(TE85L)
Q114	8-729-043-92	s	TRANSISTOR 2SC5084-0(TE85L)
Q115	8-729-143-14	s	TRANSISTOR 2SC4176-B35
Q116	8-729-143-14	s	TRANSISTOR 2SC4176-B35
Q118	8-729-043-92	s	TRANSISTOR 2SC5084-0(TE85L)
Q119	8-729-043-92	s	TRANSISTOR 2SC5084-0(TE85L)
Q300	8-729-143-14	s	TRANSISTOR 2SC4176-B35
Q400	8-729-140-63	s	TRANSISTOR 2SA1611-M5M6
Q401	8-729-140-63	s	TRANSISTOR 2SA1611-M5M6
Q402	8-729-905-12	s	TRANSISTOR DTA144EU
Q403	8-729-043-92	s	TRANSISTOR 2SC5084-0(TE85L)
Q405	8-729-117-32	s	TRANSISTOR 2SC4177-L6
Q406	8-729-140-63	s	TRANSISTOR 2SA1611-M5M6
Q407-409	8-729-043-92	s	TRANSISTOR 2SC5084-0(TE85L)
Q413	8-729-900-52	s	TRANSISTOR DTC114YK
Q702	8-729-140-63	s	TRANSISTOR 2SA1611-M5M6
Q703	8-729-117-32	s	TRANSISTOR 2SC4177-L6
Q704	8-729-043-92	s	TRANSISTOR 2SC5084-0(TE85L)
Q705	8-729-905-12	s	TRANSISTOR DTA144EU
Q706	8-729-043-92	s	TRANSISTOR 2SC5084-0(TE85L)
Q707	8-729-043-92	s	TRANSISTOR 2SC5084-0(TE85L)
Q708	8-729-143-14	s	TRANSISTOR 2SC4176-B35
R1	1-218-770-11	s	METAL, CHIP 560K 0.5% 1/10W (2125)
R2	1-216-295-00	s	METAL, CHIP 0 (2125)
R100	1-216-029-00	s	METAL, CHIP 150 5% 1/10W (2125)
R101-108	1-216-037-00	s	METAL, CHIP 330 5% 1/10W (2125)
R109-116	1-216-033-00	s	METAL, CHIP 220 5% 1/10W (2125)
R117-124	1-216-037-00	s	METAL, CHIP 330 5% 1/10W (2125)
R125-132	1-216-033-00	s	METAL, CHIP 220 5% 1/10W (2125)
R133	1-216-295-00	s	METAL, CHIP 0 (2125)
R134-138	1-216-025-00	s	METAL, CHIP 100 5% 1/10W (2125)
R141-146	1-216-033-00	s	METAL, CHIP 220 5% 1/10W (2125)
R147 *2	1-216-033-00	s	METAL, CHIP 220 5% 1/10W (2125)
R148 *2	1-216-033-00	s	METAL, CHIP 220 5% 1/10W (2125)

\*5: Board No. suffix 13 or higher

(DIF-16 BOARD suffix 11 through 13)

(DIF-16 BOARD suffix 11 through 13)

Ref. No. or Q'ty	Part No.	SP	Description
R149	1-216-295-00	s	METAL, CHIP 0 (2125)
R150	1-216-295-00	s	METAL, CHIP 0 (2125)
R151	*5 1-216-295-00	s	METAL, CHIP 0 (2125)
R154	*2 1-216-295-00	s	METAL, CHIP 0 (2125)
R155	*2 1-216-295-00	s	METAL, CHIP 0 (2125)
R156	*2 1-216-033-00	s	METAL, CHIP 220 5% 1/10W (2125)
R157	1-216-033-00	s	METAL, CHIP 220 5% 1/10W (2125)
R160	*2 1-216-295-00	s	METAL, CHIP 0 (2125)
R161	1-216-295-00	s	METAL, CHIP 0 (2125)
R178	*2 1-216-295-00	s	METAL, CHIP 0 (2125)
R200	1-216-029-00	s	METAL, CHIP 150 5% 1/10W (2125)
R201	1-216-029-00	s	METAL, CHIP 150 5% 1/10W (2125)
R202-205	1-216-295-00	s	METAL, CHIP 0 (2125)
R206	*5 1-216-637-11	s	METAL, CHIP 270 0.5% 1/10W (2125)
	*3 1-216-295-00	s	METAL, CHIP 0 (2125)
R206A	*3 1-215-407-00	s	METAL 270 1% 1/4W
R220	1-216-295-00	s	METAL, CHIP 0 (2125)
R227	1-216-295-00	s	METAL, CHIP 0 (2125)
R228	1-216-295-00	s	METAL, CHIP 0 (2125)
R230	1-216-295-00	s	METAL, CHIP 0 (2125)
R235	1-216-295-00	s	METAL, CHIP 0 (2125)
R246-248	1-216-295-00	s	METAL, CHIP 0 (2125)
R250	1-216-295-00	s	METAL, CHIP 0 (2125)
R252	1-216-295-00	s	METAL, CHIP 0 (2125)
R255	1-216-295-00	s	METAL, CHIP 0 (2125)
R257	1-216-295-00	s	METAL, CHIP 0 (2125)
R259	1-216-295-00	s	METAL, CHIP 0 (2125)
R261	1-216-295-00	s	METAL, CHIP 0 (2125)
R263	1-216-295-00	s	METAL, CHIP 0 (2125)
R265	1-216-295-00	s	METAL, CHIP 0 (2125)
R267	1-216-295-00	s	METAL, CHIP 0 (2125)
R269-271	1-216-295-00	s	METAL, CHIP 0 (2125)
R273-283	1-216-033-00	s	METAL, CHIP 220 5% 1/10W (2125)
R284	1-216-295-00	s	METAL, CHIP 0 (2125)
R285	1-216-085-00	s	METAL, CHIP 33K 5% 1/10W (2125)
R286	1-216-079-00	s	METAL, CHIP 18K 5% 1/10W (2125)
R287	1-216-623-11	s	METAL, CHIP 68 0.5% 1/10W (2125)
R288	1-216-295-00	s	METAL, CHIP 0 (2125)
R292	*1 1-216-295-00	s	METAL, CHIP 0 (2125)
R294	*4 1-216-624-11	s	METAL, CHIP 75 0.5% 1/10W (2125)
R295	1-216-623-11	s	METAL, CHIP 68 0.5% 1/10W (2125)
R296	1-216-613-11	s	METAL, CHIP 27 0.5% 1/10W (2125)
R297	1-216-613-11	s	METAL, CHIP 27 0.5% 1/10W (2125)
R298	1-216-623-11	s	METAL, CHIP 68 0.5% 1/10W (2125)
R299	*1 1-216-295-00	s	METAL, CHIP 0 (2125)
R301	1-216-623-11	s	METAL, CHIP 68 0.5% 1/10W (2125)
R302	1-216-033-00	s	METAL, CHIP 220 5% 1/10W (2125)
R303	1-216-033-00	s	METAL, CHIP 220 5% 1/10W (2125)
R304	1-216-625-11	s	METAL, CHIP 82 0.5% 1/10W (2125)
R308	*2 1-216-623-11	s	METAL, CHIP 68 0.5% 1/10W (2125)
R309-311	1-216-049-00	s	METAL, CHIP 1.0K 5% 1/10W (2125)
R312	*2 1-216-049-00	s	METAL, CHIP 1.0K 5% 1/10W (2125)
R313-315	1-216-029-00	s	METAL, CHIP 150 5% 1/10W (2125)
R316	*2 1-216-029-00	s	METAL, CHIP 150 5% 1/10W (2125)
R317	1-216-623-11	s	METAL, CHIP 68 0.5% 1/10W (2125)
R318	1-216-073-00	s	METAL, CHIP 10K 5% 1/10W (2125)

Ref. No. or Q'ty	Part No.	SP	Description
R319	1-216-073-00	s	METAL, CHIP 10K 5% 1/10W (2125)
R320	1-216-675-11	s	METAL, CHIP 10K 0.5% 1/10W (2125)
R321	1-216-679-11	s	METAL, CHIP 15K 0.5% 1/10W (2125)
R322	1-216-657-11	s	METAL, CHIP 1.8K 0.5% 1/10W (2125)
R323	1-216-025-00	s	METAL, CHIP 100 5% 1/10W (2125)
R324	1-208-774-11	s	METAL, CHIP 470 0.5% 1/10W (2125)
R325	1-216-049-00	s	METAL, CHIP 1.0K 5% 1/10W (2125)
R326	1-216-659-11	s	METAL, CHIP 2.2K 0.5% 1/10W (2125)
R327	1-216-655-11	s	METAL, CHIP 1.5K 0.5% 1/10W (2125)
R328	1-216-075-00	s	METAL, CHIP 12K 5% 1/10W (2125)
R329	1-216-029-00	s	METAL, CHIP 150 5% 1/10W (2125)
R330	1-216-029-00	s	METAL, CHIP 150 5% 1/10W (2125)
R331	1-216-651-11	s	METAL, CHIP 1.0K 0.5% 1/10W (2125)
R332	1-216-295-00	s	METAL, CHIP 0 (2125)
R334	1-216-295-00	s	METAL, CHIP 0 (2125)
R335	1-216-085-00	s	METAL, CHIP 33K 5% 1/10W (2125)
R336	1-216-079-00	s	METAL, CHIP 18K 5% 1/10W (2125)
R340	1-216-615-11	s	METAL, CHIP 33 0.5% 1/10W (2125)
R341	1-216-615-11	s	METAL, CHIP 33 0.5% 1/10W (2125)
R342	1-216-623-11	s	METAL, CHIP 68 0.5% 1/10W (2125)
R343	1-216-612-11	s	METAL, CHIP 24 0.5% 1/10W (2125)
R344	1-216-612-11	s	METAL, CHIP 24 0.5% 1/10W (2125)
R345	1-216-295-00	s	METAL, CHIP 0 (2125)
R346	1-216-295-00	s	METAL, CHIP 0 (2125)
R347	*2 1-216-295-00	s	METAL, CHIP 0 (2125)
R348	*2 1-216-295-00	s	METAL, CHIP 0 (2125)
R349-353	1-216-017-00	s	METAL, CHIP 47 5% 1/10W (2125)
R354	*2 1-216-017-00	s	METAL, CHIP 47 5% 1/10W (2125)
R355	1-216-085-00	s	METAL, CHIP 33K 5% 1/10W (2125)
R400	1-216-073-00	s	METAL, CHIP 10K 5% 1/10W (2125)
R401	1-216-075-00	s	METAL, CHIP 12K 5% 1/10W (2125)
R402	1-216-049-00	s	METAL, CHIP 1.0K 5% 1/10W (2125)
R403	1-216-631-11	s	METAL, CHIP 150 0.5% 1/10W (2125)
R404	1-216-623-11	s	METAL, CHIP 68 0.5% 1/10W (2125)
R405	1-216-073-00	s	METAL, CHIP 10K 5% 1/10W (2125)
R406	1-216-075-00	s	METAL, CHIP 12K 5% 1/10W (2125)
R407	1-216-635-11	s	METAL, CHIP 220 0.5% 1/10W (2125)
R408	1-216-049-00	s	METAL, CHIP 1.0K 5% 1/10W (2125)
R409	1-216-679-11	s	METAL, CHIP 15K 0.5% 1/10W (2125)
R410	1-216-611-11	s	METAL, CHIP 22 0.5% 1/10W (2125)
R411	1-216-679-11	s	METAL, CHIP 15K 0.5% 1/10W (2125)
R412	1-216-624-11	s	METAL, CHIP 75 0.5% 1/10W (2125)
R413	*4 1-216-633-11	s	METAL, CHIP 180 0.5% 1/10W (2125)
R414	1-216-661-11	s	METAL, CHIP 2.7K 0.5% 1/10W (2125)
R417	1-216-295-00	s	METAL, CHIP 0 (2125)
R418	1-216-655-11	s	METAL, CHIP 1.5K 0.5% 1/10W (2125)
R419	*5 1-216-057-00	s	METAL, CHIP 2.2K 5% 1/10W (2125)
R421	1-216-651-11	s	METAL, CHIP 1.0K 0.5% 1/10W (2125)
R422-425	1-216-295-00	s	METAL, CHIP 0 (2125)
R426	1-216-659-11	s	METAL, CHIP 2.2K 0.5% 1/10W (2125)
R427	1-216-295-00	s	METAL, CHIP 0 (2125)
R428	1-216-647-11	s	METAL, CHIP 680 0.5% 1/10W (2125)
R429	*5 1-216-075-00	s	METAL, CHIP 12K 5% 1/10W (2125)
R430	*5 1-216-115-00	s	METAL, CHIP 560K 5% 1/10W (2125)
R431	1-216-295-00	s	METAL, CHIP 0 (2125)
R432	1-216-619-11	s	METAL, CHIP 47 0.5% 1/10W (2125)

-----  
 \*1: Board No. suffix 11 only  
 \*2: Board No. suffix 11 or 12  
 \*3: Board No. suffix 12 only

-----  
 \*4: Board No. suffix 12 or higher  
 \*5: Board No. suffix 13 or higher

(DIF-16 BOARD suffix 11 through 13)

Ref. No. or Q'ty	Part No.	SP	Description
R433	1-216-079-00	s	METAL, CHIP 18K 5% 1/10W (2125)
R434	1-216-623-11	s	METAL, CHIP 68 0.5% 1/10W (2125)
R435	1-216-651-11	s	METAL, CHIP 1.0K 0.5% 1/10W
R436	1-216-029-00	s	METAL, CHIP 150 5% 1/10W (2125)
R437	*4 1-216-624-11	s	METAL, CHIP 75 0.5% 1/10W (2125)
	*1 1-216-623-11	s	METAL, CHIP 68 0.5% 1/10W (2125)
R438	1-216-624-11	s	METAL, CHIP 75 0.5% 1/10W (2125)
R439	1-216-073-00	s	METAL, CHIP 10K 5% 1/10W (2125)
R440	1-216-025-00	s	METAL, CHIP 100 5% 1/10W (2125)
R441	1-216-049-00	s	METAL, CHIP 1.0K 5% 1/10W (2125)
R442	1-216-613-11	s	METAL, CHIP 27 0.5% 1/10W (2125)
R443	1-216-613-11	s	METAL, CHIP 27 0.5% 1/10W (2125)
R444	1-216-049-00	s	METAL, CHIP 1.0K 5% 1/10W (2125)
R445-448	1-216-001-00	s	METAL, CHIP 10 5% 1/10W (2125)
R449	1-216-049-00	s	METAL, CHIP 1.0K 5% 1/10W (2125)
R450	1-216-049-00	s	METAL, CHIP 1.0K 5% 1/10W (2125)
R451	*4 1-216-633-11	s	METAL, CHIP 180 0.5% 1/10W (2125)
	*1 1-216-625-11	s	METAL, CHIP 82 0.5% 1/10W (2125)
R452-457	1-216-049-00	s	METAL, CHIP 1.0K 5% 1/10W (2125)
R458	1-216-057-00	s	METAL, CHIP 2.2K 5% 1/10W (2125)
R459	1-216-049-00	s	METAL, CHIP 1.0K 5% 1/10W (2125)
R460	1-216-033-00	s	METAL, CHIP 220 5% 1/10W (2125)
R461	1-216-033-00	s	METAL, CHIP 220 5% 1/10W (2125)
R462	1-216-059-00	s	METAL, CHIP 2.7K 5% 1/10W (2125)
R463	1-216-049-00	s	METAL, CHIP 1.0K 5% 1/10W (2125)
R464	1-216-071-00	s	METAL, CHIP 8.2K 5% 1/10W (2125)
R465-476	1-216-033-00	s	METAL, CHIP 220 5% 1/10W (2125)
R477	1-216-295-00	s	METAL, CHIP 0 (2125)
R479-481	1-216-295-00	s	METAL, CHIP 0 (2125)
R484	1-216-295-00	s	METAL, CHIP 0 (2125)
R486	1-216-295-00	s	METAL, CHIP 0 (2125)
R487	1-216-295-00	s	METAL, CHIP 0 (2125)
R492	1-216-295-00	s	METAL, CHIP 0 (2125)
R493	1-216-295-00	s	METAL, CHIP 0 (2125)
R498	1-216-085-00	s	METAL, CHIP 33K 5% 1/10W (2125)
R506	*4 1-216-049-00	s	METAL, CHIP 1.0K 5% 1/10W (2125)
	*1 1-249-417-00	s	CARBON 1.0K 5% 1/4W
R507	1-216-033-00	s	METAL, CHIP 220 5% 1/10W (2125)
R510	*2 1-216-075-00	s	METAL, CHIP 12K 5% 1/10W (2125)
R517	1-216-029-00	s	METAL, CHIP 150 5% 1/10W (2125)
R519	1-216-033-00	s	METAL, CHIP 220 5% 1/10W (2125)
R520	1-216-295-00	s	METAL, CHIP 0 (2125)
R523	*2 1-216-295-00	s	METAL, CHIP 0 (2125)
R524-526	1-216-029-00	s	METAL, CHIP 150 5% 1/10W (2125)
R531	1-216-295-00	s	METAL, CHIP 0 (2125)
R532	*2 1-216-295-00	s	METAL, CHIP 0 (2125)
R533	1-216-029-00	s	METAL, CHIP 150 5% 1/10W (2125)
R534	1-216-093-00	s	METAL, CHIP 68K 5% 1/10W (2125)
R535	1-216-073-00	s	METAL, CHIP 10K 5% 1/10W (2125)
R536	1-216-099-00	s	METAL, CHIP 120K 5% 1/10W (2125)
R537	*4 1-216-295-00	s	METAL, CHIP 0 (2125)
R538	1-216-295-00	s	METAL, CHIP 0 (2125)
R539	1-216-295-00	s	METAL, CHIP 0 (2125)
R550	1-216-029-00	s	METAL, CHIP 150 5% 1/10W (2125)
R551-554	1-216-115-00	s	METAL, CHIP 560K 5% 1/10W (2125)
R555-562	1-216-029-00	s	METAL, CHIP 150 5% 1/10W (2125)

-----  
 \*1: Board No. suffix 11 only  
 \*2: Board No. suffix 11 or 12

(DIF-16 BOARD suffix 11 through 13)

Ref. No. or Q'ty	Part No.	SP	Description
R563-566	1-216-295-00	s	METAL, CHIP 0 (2125)
R575	1-216-049-00	s	METAL, CHIP 1.0K 5% 1/10W (2125)
R576	1-216-049-00	s	METAL, CHIP 1.0K 5% 1/10W (2125)
R577	1-216-033-00	s	METAL, CHIP 220 5% 1/10W (2125)
R578	1-216-022-00	s	METAL, CHIP 75 5% 1/10W (2125)
R579	1-216-022-00	s	METAL, CHIP 75 5% 1/10W (2125)
R580	1-216-295-00	s	METAL, CHIP 0 (2125)
R582	1-216-295-00	s	METAL, CHIP 0 (2125)
R586	1-216-017-00	s	METAL, CHIP 47 5% 1/10W (2125)
R600	1-216-295-00	s	METAL, CHIP 0 (2125)
R601	*2 1-216-081-00	s	METAL, CHIP 22K 5% 1/10W (2125)
R602	1-216-295-00	s	METAL, CHIP 0 (2125)
R603	*2 1-216-081-00	s	METAL, CHIP 22K 5% 1/10W (2125)
R604	1-216-295-00	s	METAL, CHIP 0 (2125)
R605	*2 1-216-081-00	s	METAL, CHIP 22K 5% 1/10W (2125)
R606-610	1-216-049-00	s	METAL, CHIP 1.0K 5% 1/10W (2125)
R611	1-216-089-00	s	METAL, CHIP 47K 5% 1/10W (2125)
R612	*5 1-216-049-00	s	METAL, CHIP 1.0K 5% 1/10W (2125)
	*2 1-216-109-00	s	METAL, CHIP 330K 5% 1/10W (2125)
R616	1-216-097-00	s	METAL, CHIP 100K 5% 1/10W (2125)
R617	1-216-073-00	s	METAL, CHIP 10K 5% 1/10W (2125)
R619-622	1-216-089-00	s	METAL, CHIP 47K 5% 1/10W (2125)
R630-640	1-216-089-00	s	METAL, CHIP 47K 5% 1/10W (2125)
R700	1-216-619-11	s	METAL, CHIP 47 0.5% 1/10W (2125)
R701	1-216-001-00	s	METAL, CHIP 10 5% 1/10W (2125)
R703	*2 1-216-033-00	s	METAL, CHIP 220 5% 1/10W (2125)
R704	*2 1-216-033-00	s	METAL, CHIP 220 5% 1/10W (2125)
R705	*2 1-216-033-00	s	METAL, CHIP 220 5% 1/10W (2125)
R706	1-216-033-00	s	METAL, CHIP 220 5% 1/10W (2125)
R707	1-216-033-00	s	METAL, CHIP 220 5% 1/10W (2125)
R708	*2 1-216-085-00	s	METAL, CHIP 33K 5% 1/10W (2125)
R709	*2 1-216-085-00	s	METAL, CHIP 33K 5% 1/10W (2125)
R710	*2 1-216-085-00	s	METAL, CHIP 33K 5% 1/10W (2125)
R711	1-216-085-00	s	METAL, CHIP 33K 5% 1/10W (2125)
R712	1-216-085-00	s	METAL, CHIP 33K 5% 1/10W (2125)
R730-740	1-216-033-00	s	METAL, CHIP 220 5% 1/10W (2125)
R741	1-216-085-00	s	METAL, CHIP 33K 5% 1/10W (2125)
R742	1-216-079-00	s	METAL, CHIP 18K 5% 1/10W (2125)
R743	1-216-085-00	s	METAL, CHIP 33K 5% 1/10W (2125)
R744	1-216-079-00	s	METAL, CHIP 18K 5% 1/10W (2125)
R745	1-216-295-00	s	METAL, CHIP 0 (2125)
R746	1-216-295-00	s	METAL, CHIP 0 (2125)
R747	1-216-001-00	s	METAL, CHIP 10 5% 1/10W (2125)
R748	1-216-001-00	s	METAL, CHIP 10 5% 1/10W (2125)
R750	*2 1-216-295-00	s	METAL, CHIP 0 (2125)
R752	*2 1-216-295-00	s	METAL, CHIP 0 (2125)
R753	1-216-025-00	s	METAL, CHIP 100 5% 1/10W (2125)
R754	1-216-049-00	s	METAL, CHIP 1.0K 5% 1/10W (2125)
R755	1-208-774-11	s	METAL, CHIP 470 0.5% 1/10W (2125)
R756	1-216-659-11	s	METAL, CHIP 2.2K 0.5% 1/10W (2125)
R757	1-216-651-11	s	METAL, CHIP 1.0K 0.5% 1/10W (2125)
R758	1-216-295-00	s	METAL, CHIP 0 (2125)
R759	1-216-073-00	s	METAL, CHIP 10K 5% 1/10W (2125)
R760	*4 1-216-624-11	s	METAL, CHIP 75 0.5% 1/10W (2125)
	*1 1-216-623-11	s	METAL, CHIP 68 0.5% 1/10W (2125)
R761	1-216-033-00	s	METAL, CHIP 220 5% 1/10W (2125)

-----  
 \*4: Board No. suffix 12 or higher  
 \*5: Board No. suffix 13 or higher

(DIF-16 BOARD suffix 11 through 13)

Ref. No. or Q'ty	Part No.	SP	Description
R762	1-216-655-11	s	METAL, CHIP 1.5K 0.5% 1/10W
R763	1-216-657-11	s	METAL, CHIP 1.8K 0.5% 1/10W
R764	1-216-033-00	s	METAL, CHIP 220 5% 1/10W (2125)
R765	*4 1-216-613-11	s	METAL, CHIP 27 0.5% 1/10W (2125)
	*1 1-216-615-11	s	METAL, CHIP 33 0.5% 1/10W (2125)
R766	1-216-675-11	s	METAL, CHIP 10K 0.5% 1/10W (2125)
R767	*4 1-216-633-11	s	METAL, CHIP 180 0.5% 1/10W
	*1 1-216-625-11	s	METAL, CHIP 82 0.5% 1/10W (2125)
R769	*4 1-216-613-11	s	METAL, CHIP 27 0.5% 1/10W (2125)
	*1 1-216-615-11	s	METAL, CHIP 33 0.5% 1/10W (2125)
R770	*4 1-216-633-11	s	METAL, CHIP 180 0.5% 1/10W (2125)
R771	1-216-679-11	s	METAL, CHIP 15K 0.5% 1/10W
R772	1-216-001-00	s	METAL, CHIP 10 5% 1/10W (2125)
R775	*4 1-216-624-11	s	METAL, CHIP 75 0.5% 1/10W (2125)
	*1 1-216-625-11	s	METAL, CHIP 82 0.5% 1/10W (2125)
R776	1-216-029-00	s	METAL, CHIP 150 5% 1/10W (2125)
R777	1-216-049-00	s	METAL, CHIP 1.0K 5% 1/10W (2125)
R778	1-216-623-11	s	METAL, CHIP 68 0.5% 1/10W (2125)
R790	1-216-085-00	s	METAL, CHIP 33K 5% 1/10W (2125)
R902	1-216-073-00	s	METAL, CHIP 10K 5% 1/10W (2125)
R2001	*1 1-215-394-00	s	METAL 75 1% 1/4W

-----  
 \*1: Board No. suffix 11 only  
 \*4: Board No. suffix 12 or higher

-----  
DM-89 BOARD for DVW-A500P/A510P/CA510P, suffix 17 or higher  
-----

Ref. No. or Q'ty	Part No.	SP	Description
			*a: Lot No. 803-0A5
			*b: Lot No. 803-334
			*c: Lot No. 341-
1pc	A-8275-088-B	o	MOUNTED CIRCUIT BOARD, DM-89P
1pc	3-696-787-03	o	SHEET(S),CARD
1pc	3-696-891-03	o	PLATE, CARD-S
4pcs	7-682-902-11	s	SCREW +PWH 2.6X5(EP-FE/ZN/CM2)
1pc	3-179-084-01	s	LEVER(R),PRINTED C,BOARD
1pc	3-179-085-01	s	LEVER(L),PRINTED C.BOARD
C101	1-163-133-00	s	CAPACITOR,CHIP CERAMIC 470PF
C104	1-163-037-11	s	CAPACITOR,CHIP CERAMIC 0.022MF
C105	1-163-009-11	s	CAPACITOR,CERAMIC 1000PF/50V
C106	1-163-037-11	s	CAPACITOR,CHIP CERAMIC 0.022MF
C107	1-163-037-11	s	CAPACITOR,CHIP CERAMIC 0.022MF
C108	1-163-037-11	s	CAPACITOR,CHIP CERAMIC 0.022MF
C109	1-163-133-00	s	CAPACITOR,CHIP CERAMIC 470PF
C110	1-163-037-11	s	CAPACITOR,CHIP CERAMIC 0.022MF
C111	1-163-037-11	s	CAPACITOR,CHIP CERAMIC 0.022MF
C112	1-163-106-00	s	CAPACITOR,CHIP CERAMIC 36PF/50
C113	1-163-113-00	s	CAPACITOR,CHIP CERAMIC 68PF/50
C114	1-163-106-00	s	CAPACITOR,CHIP CERAMIC 36PF/50
C115	1-163-037-11	s	CAPACITOR,CHIP CERAMIC 0.022MF
C116	1-163-037-11	s	CAPACITOR,CHIP CERAMIC 0.022MF
C117	1-163-110-00	s	CAPACITOR,CHIP CERAMIC 51PF/50
C118	1-163-037-11	s	CAPACITOR,CHIP CERAMIC 0.022MF
C119	1-163-037-11	s	CAPACITOR,CHIP CERAMIC 0.022MF
C120	1-163-104-00	s	CAPACITOR,CHIP CERAMIC 30PF/50
C121	1-163-037-11	s	CAPACITOR,CHIP CERAMIC 0.022MF
C122	1-163-037-11	s	CAPACITOR,CHIP CERAMIC 0.022MF
C123	1-163-037-11	s	CAPACITOR,CHIP CERAMIC 0.022MF
C124	1-163-237-11	s	CAPACITOR CERAMIC 27PF/50V
C125	1-163-249-11	s	CAPACITOR CERAMIC 82PF/50V
C126	1-163-237-11	s	CAPACITOR CERAMIC 27PF/50V
C127	1-163-037-11	s	CAPACITOR,CHIP CERAMIC 0.022MF
C128	1-163-037-11	s	CAPACITOR,CHIP CERAMIC 0.022MF
C129	1-163-253-11	s	CAPACITOR CERAMIC 120PF/50V
C130	1-163-037-11	s	CAPACITOR,CHIP CERAMIC 0.022MF
C131	1-163-037-11	s	CAPACITOR,CHIP CERAMIC 0.022MF
C132	1-163-108-00	s	CAPACITOR,CHIP CERAMIC 43PF/50
C133	1-163-037-11	s	CAPACITOR,CHIP CERAMIC 0.022MF
C134	1-163-037-11	s	CAPACITOR,CHIP CERAMIC 0.022MF
C135	1-163-037-11	s	CAPACITOR,CHIP CERAMIC 0.022MF
C136	1-163-235-11	s	CAPACITOR,CHIP CERAMIC22PF/50V
C137	1-163-037-11	s	CAPACITOR,CHIP CERAMIC 0.022MF
C138	1-163-037-11	s	CAPACITOR,CHIP CERAMIC 0.022MF
C140	1-163-037-11	s	CAPACITOR,CHIP CERAMIC 0.022MF
C141	1-163-120-00	s	CAPACITOR,CHIP CERAMIC 130PF
C142	1-163-110-00	s	CAPACITOR,CHIP CERAMIC 51PF/50
C143	1-163-251-11	s	CAPACITOR CERAMIC 100PF/50V
C144	1-163-245-11	s	CAPACITOR CERAMIC 56PF/50V
C145	1-163-037-11	s	CAPACITOR,CHIP CERAMIC 0.022MF
C146	1-163-037-11	s	CAPACITOR,CHIP CERAMIC 0.022MF
C147	1-163-037-11	s	CAPACITOR,CHIP CERAMIC 0.022MF
C148	1-163-037-11	s	CAPACITOR,CHIP CERAMIC 0.022MF
C149	1-163-037-11	s	CAPACITOR,CHIP CERAMIC 0.022MF
C150	1-163-243-11	s	CAPACITOR CHIP CERAMIC 47PF/50
C151	1-163-231-11	s	CAPACITOR,CHIP CERAMIC15PF/50V
C152	1-163-037-11	s	CAPACITOR,CHIP CERAMIC 0.022MF
C153	1-163-037-11	s	CAPACITOR,CHIP CERAMIC 0.022MF

(DM-89 BOARD for DVW-A500P/A510P/CA510P, suffix 17 or higher)

(DM-89 BOARD for DVW-A500P/A510P/CA510P, suffix 17 or higher)

Ref. No. or Q'ty	Part No.	SP Description	Ref. No. or Q'ty	Part No.	SP Description
C154	1-163-037-11	s CAPACITOR,CHIP CERAMIC 0.022MF	C301	1-163-037-11	s CAPACITOR,CHIP CERAMIC 0.022MF
C157	1-163-037-11	s CAPACITOR,CHIP CERAMIC 0.022MF	C302	1-163-037-11	s CAPACITOR,CHIP CERAMIC 0.022MF
C158	1-163-037-11	s CAPACITOR,CHIP CERAMIC 0.022MF	C304	1-163-133-00	s CAPACITOR,CHIP CERAMIC 470PF
C159	1-163-133-00	s CAPACITOR,CHIP CERAMIC 470PF	C305	1-163-009-11	s CAPACITOR,CERAMIC 1000PF/50V
C160	1-163-133-00	s CAPACITOR,CHIP CERAMIC 470PF	C306	1-163-037-11	s CAPACITOR,CHIP CERAMIC 0.022MF
C161	1-163-037-11	s CAPACITOR,CHIP CERAMIC 0.022MF	C307	1-163-037-11	s CAPACITOR,CHIP CERAMIC 0.022MF
C162	1-163-037-11	s CAPACITOR,CHIP CERAMIC 0.022MF	C308	1-163-037-11	s CAPACITOR,CHIP CERAMIC 0.022MF
C163	1-163-037-11	s CAPACITOR,CHIP CERAMIC 0.022MF	C309	1-163-133-00	s CAPACITOR,CHIP CERAMIC 470PF
C164	1-163-037-11	s CAPACITOR,CHIP CERAMIC 0.022MF	C310	1-163-037-11	s CAPACITOR,CHIP CERAMIC 0.022MF
C165	1-163-037-11	s CAPACITOR,CHIP CERAMIC 0.022MF	C311	1-163-037-11	s CAPACITOR,CHIP CERAMIC 0.022MF
C166	1-163-037-11	s CAPACITOR,CHIP CERAMIC 0.022MF	C312	1-163-241-11	s CAPACITOR CERAMIC 39PF/50(2012
C167	1-163-222-11	s CAPACITOR. CHIP CERAMIC 5.0PF	C313	1-163-249-11	s CAPACITOR CERAMIC 82PF/50V
C168	1-163-222-11	s CAPACITOR. CHIP CERAMIC 5.0PF	C314	1-163-241-11	s CAPACITOR CERAMIC 39PF/50(2012
C169	1-128-526-11	s CAPACITOR,ELECT 100MF/25V	C315	1-163-255-91	s CAPACITOR,CHIP CERAMIC 150PF
C170	1-164-004-11	s CAPACITOR,CERAMIC 0.1MF/25V	C316	1-163-133-00	s CAPACITOR,CHIP CERAMIC 470PF
C171	1-163-037-11	s CAPACITOR,CHIP CERAMIC 0.022MF	C317	1-163-037-11	s CAPACITOR,CHIP CERAMIC 0.022MF
C172	1-164-004-11	s CAPACITOR,CERAMIC 0.1MF/25V	C318	1-163-037-11	s CAPACITOR,CHIP CERAMIC 0.022MF
C173	1-164-004-11	s CAPACITOR,CERAMIC 0.1MF/25V	C319	1-163-110-00	s CAPACITOR,CHIP CERAMIC 51PF/50
C174	1-163-037-11	s CAPACITOR,CHIP CERAMIC 0.022MF	C320	1-163-037-11	s CAPACITOR,CHIP CERAMIC 0.022MF
C175	1-163-237-11	s CAPACITOR CERAMIC 27PF/50V	C321	1-163-037-11	s CAPACITOR,CHIP CERAMIC 0.022MF
C176	1-163-127-00	s CAPACITOR,CHIP CERAMIC 270PF	C322	1-163-102-00	s CAPACITOR,CHIP CERAMIC 24PF/50
C177	1-163-127-00	s CAPACITOR,CHIP CERAMIC 270PF	C323	1-163-037-11	s CAPACITOR,CHIP CERAMIC 0.022MF
C180	1-163-037-11	s CAPACITOR,CHIP CERAMIC 0.022MF	C324	1-163-037-11	s CAPACITOR,CHIP CERAMIC 0.022MF
C183	1-163-263-11	s CAPACITOR CERAMIC 330PF/50V	C325	1-163-037-11	s CAPACITOR,CHIP CERAMIC 0.022MF
C201	1-163-037-11	s CAPACITOR,CHIP CERAMIC 0.022MF	C326	1-163-110-00	s CAPACITOR,CHIP CERAMIC 51PF/50
C202	1-163-037-11	s CAPACITOR,CHIP CERAMIC 0.022MF	C327	1-163-251-11	s CAPACITOR CERAMIC 100PF/50V
C203	1-163-255-91	s CAPACITOR,CHIP CERAMIC 150PF	C328	1-163-110-00	s CAPACITOR,CHIP CERAMIC 51PF/50
C204	1-163-249-11	s CAPACITOR CERAMIC 82PF/50V	C329	1-163-037-11	s CAPACITOR,CHIP CERAMIC 0.022MF
C205	1-163-037-11	s CAPACITOR,CHIP CERAMIC 0.022MF	C330	1-163-037-11	s CAPACITOR,CHIP CERAMIC 0.022MF
C206	1-163-037-11	s CAPACITOR,CHIP CERAMIC 0.022MF	C331	1-163-251-11	s CAPACITOR CERAMIC 100PF/50V
C207	1-163-037-11	s CAPACITOR,CHIP CERAMIC 0.022MF	C332	1-163-037-11	s CAPACITOR,CHIP CERAMIC 0.022MF
C210	1-107-909-11	s CAPACITOR,ELECT 47MF/50V	C333	1-163-037-11	s CAPACITOR,CHIP CERAMIC 0.022MF
C212	1-163-037-11	s CAPACITOR,CHIP CERAMIC 0.022MF	C334	1-163-110-00	s CAPACITOR,CHIP CERAMIC 51PF/50
C213	1-107-909-11	s CAPACITOR,ELECT 47MF/50V	C335	1-163-037-11	s CAPACITOR,CHIP CERAMIC 0.022MF
C214	1-107-902-11	s CAPACITOR,ELECT 1MF/50V	C336	1-163-233-11	s CAPACITOR,CHIP CERAMIC 18PF/50
C215	1-163-091-00	s CAPACITOR,CHIP CERAMIC 8PF/50V	C337	1-163-037-11	s CAPACITOR,CHIP CERAMIC 0.022MF
C216	1-163-037-11	s CAPACITOR,CHIP CERAMIC 0.022MF	C338	1-163-037-11	s CAPACITOR,CHIP CERAMIC 0.022MF
C217	1-163-235-11	s CAPACITOR,CHIP CERAMIC22PF/50V	C339	1-163-037-11	s CAPACITOR,CHIP CERAMIC 0.022MF
C218	1-163-037-11	s CAPACITOR,CHIP CERAMIC 0.022MF	C340	1-163-037-11	s CAPACITOR,CHIP CERAMIC 0.022MF
C219	1-163-037-11	s CAPACITOR,CHIP CERAMIC 0.022MF	C341	1-163-037-11	s CAPACITOR,CHIP CERAMIC 0.022MF
C222	1-107-902-11	s CAPACITOR,ELECT 1MF/50V	C342	1-163-133-00	s CAPACITOR,CHIP CERAMIC 470PF
C223	1-163-037-11	s CAPACITOR,CHIP CERAMIC 0.022MF	C343	1-163-133-00	s CAPACITOR,CHIP CERAMIC 470PF
C224	1-163-037-11	s CAPACITOR,CHIP CERAMIC 0.022MF	C344	1-163-037-11	s CAPACITOR,CHIP CERAMIC 0.022MF
C225	1-128-526-11	s CAPACITOR,ELECT 100MF/25V	C345	1-163-037-11	s CAPACITOR,CHIP CERAMIC 0.022MF
C226	1-163-037-11	s CAPACITOR,CHIP CERAMIC 0.022MF	C346	1-163-037-11	s CAPACITOR,CHIP CERAMIC 0.022MF
C227	1-163-037-11	s CAPACITOR,CHIP CERAMIC 0.022MF	C347	1-163-037-11	s CAPACITOR,CHIP CERAMIC 0.022MF
C228	1-128-526-11	s CAPACITOR,ELECT 100MF/25V	C348	1-163-091-00	s CAPACITOR,CHIP CERAMIC 8PF/50V
C229	1-128-526-11	s CAPACITOR,ELECT 100MF/25V	C349	1-163-091-00	s CAPACITOR,CHIP CERAMIC 8PF/50V
C230	1-128-526-11	s CAPACITOR,ELECT 100MF/25V	C350	1-128-526-11	s CAPACITOR,ELECT 100MF/25V
C231	1-163-037-11	s CAPACITOR,CHIP CERAMIC 0.022MF	C352	1-163-037-11	s CAPACITOR,CHIP CERAMIC 0.022MF
C232	1-163-037-11	s CAPACITOR,CHIP CERAMIC 0.022MF	C353	1-164-004-11	s CAPACITOR,CERAMIC 0.1MF/25V
C233	1-163-037-11	s CAPACITOR,CHIP CERAMIC 0.022MF	C354	1-163-037-11	s CAPACITOR,CHIP CERAMIC 0.022MF
C234	1-163-037-11	s CAPACITOR,CHIP CERAMIC 0.022MF	C356	1-163-222-11	s CAPACITOR. CHIP CERAMIC 5.0PF
C235	1-128-526-11	s CAPACITOR,ELECT 100MF/25V	C361	1-163-037-11	s CAPACITOR,CHIP CERAMIC 0.022MF
C236	1-107-902-11	s CAPACITOR,ELECT 1MF/50V	C362	1-163-263-11	s CAPACITOR CERAMIC 330PF/50V
C237	1-163-009-11	s CAPACITOR,CERAMIC 1000PF/50V	C401	1-163-037-11	s CAPACITOR,CHIP CERAMIC 0.022MF
C238	1-163-037-11	s CAPACITOR,CHIP CERAMIC 0.022MF	C402	1-163-037-11	s CAPACITOR,CHIP CERAMIC 0.022MF
C239	1-163-235-11	s CAPACITOR,CHIP CERAMIC22PF/50V	C403	1-163-251-11	s CAPACITOR CERAMIC 100PF/50V
C281	1-163-037-11	s CAPACITOR,CHIP CERAMIC 0.022MF	C404	1-163-122-00	s CAPACITOR,CHIP CERAMIC 160PF

(DM-89 BOARD for DVW-A500P/A510P/CA510P, suffix 17 or higher) (DM-89 BOARD for DVW-A500P/A510P/CA510P, suffix 17 or higher)

Ref. No. or Q'ty	Part No.	SP	Description	Ref. No. or Q'ty	Part No.	SP	Description
C405	1-163-037-11	s	CAPACITOR,CHIP CERAMIC 0.022MF	C525	1-163-108-00	s	CAPACITOR,CHIP CERAMIC 43PF/50
C406	1-163-037-11	s	CAPACITOR,CHIP CERAMIC 0.022MF	C526	1-128-526-11	s	CAPACITOR,ELECT 100MF/25V
C407	1-163-037-11	s	CAPACITOR,CHIP CERAMIC 0.022MF	C527	1-163-037-11	s	CAPACITOR,CHIP CERAMIC 0.022MF
C410	1-107-902-11	s	CAPACITOR,ELECT 1MF/50V	C528	1-107-907-11	s	CAPACITOR,ELECT 22MF/50V
C411	1-107-909-11	s	CAPACITOR,ELECT 47MF/50V	C529	1-163-037-11	s	CAPACITOR,CHIP CERAMIC 0.022MF
C412	1-107-902-11	s	CAPACITOR,ELECT 1MF/50V	C530	1-104-652-11	s	CAPACITOR,ELECT 470MF/16V(105)
C413	1-163-009-11	s	CAPACITOR,CERAMIC 1000PF/50V	C531	1-127-861-11	s	CAP,CERAMIC 2.2MF B(3216)
C414	1-163-037-11	s	CAPACITOR,CHIP CERAMIC 0.022MF	C532	1-163-037-11	s	CAPACITOR,CHIP CERAMIC 0.022MF
C415	1-163-091-00	s	CAPACITOR,CHIP CERAMIC 8PF/50V	C533	1-128-526-11	s	CAPACITOR,ELECT 100MF/25V
C416	1-163-235-11	s	CAPACITOR,CHIP CERAMIC22PF/50V	C534	1-163-037-11	s	CAPACITOR,CHIP CERAMIC 0.022MF
C417	1-163-037-11	s	CAPACITOR,CHIP CERAMIC 0.022MF	C535	1-128-526-11	s	CAPACITOR,ELECT 100MF/25V
C418	1-163-235-11	s	CAPACITOR,CHIP CERAMIC22PF/50V	C536	1-163-037-11	s	CAPACITOR,CHIP CERAMIC 0.022MF
C419	1-163-239-11	s	CAPACITOR,CHIP CERAMIC33PF/50V	C537	1-163-037-11	s	CAPACITOR,CHIP CERAMIC 0.022MF
C422	1-163-235-11	s	CAPACITOR,CHIP CERAMIC22PF/50V	C538	1-163-037-11	s	CAPACITOR,CHIP CERAMIC 0.022MF
C423	1-163-239-11	s	CAPACITOR,CHIP CERAMIC33PF/50V	C539	1-128-526-11	s	CAPACITOR,ELECT 100MF/25V
C426	1-128-526-11	s	CAPACITOR,ELECT 100MF/25V	C540	1-163-037-11	s	CAPACITOR,CHIP CERAMIC 0.022MF
C427	1-163-037-11	s	CAPACITOR,CHIP CERAMIC 0.022MF	C541	1-163-234-11	s	CAPACITOR CHIP CERAMIC 20PF/50
C428	1-163-037-11	s	CAPACITOR,CHIP CERAMIC 0.022MF	C542	1-128-526-11	s	CAPACITOR,ELECT 100MF/25V
C429	1-163-037-11	s	CAPACITOR,CHIP CERAMIC 0.022MF	C543	1-163-037-11	s	CAPACITOR,CHIP CERAMIC 0.022MF
C430	1-128-526-11	s	CAPACITOR,ELECT 100MF/25V	C544	1-163-037-11	s	CAPACITOR,CHIP CERAMIC 0.022MF
C431	1-163-037-11	s	CAPACITOR,CHIP CERAMIC 0.022MF	C545	1-163-037-11	s	CAPACITOR,CHIP CERAMIC 0.022MF
C432	1-128-526-11	s	CAPACITOR,ELECT 100MF/25V	C546	1-163-037-11	s	CAPACITOR,CHIP CERAMIC 0.022MF
C433	1-163-037-11	s	CAPACITOR,CHIP CERAMIC 0.022MF	C547	1-163-037-11	s	CAPACITOR,CHIP CERAMIC 0.022MF
C434	1-163-037-11	s	CAPACITOR,CHIP CERAMIC 0.022MF	C548	1-127-516-11	s	CAPACITOR,ELECT (SOLID)220MF
C435	1-163-037-11	s	CAPACITOR,CHIP CERAMIC 0.022MF	C549	1-128-526-11	s	CAPACITOR,ELECT 100MF/25V
C436	1-128-526-11	s	CAPACITOR,ELECT 100MF/25V	C550	1-128-526-11	s	CAPACITOR,ELECT 100MF/25V
C437	1-128-526-11	s	CAPACITOR,ELECT 100MF/25V	C551	1-163-037-11	s	CAPACITOR,CHIP CERAMIC 0.022MF
C438	1-163-037-11	s	CAPACITOR,CHIP CERAMIC 0.022MF	C552	1-163-037-11	s	CAPACITOR,CHIP CERAMIC 0.022MF
C439	1-128-526-11	s	CAPACITOR,ELECT 100MF/25V	C553	1-163-237-11	s	CAPACITOR CERAMIC 27PF/50V
C440	1-163-037-11	s	CAPACITOR,CHIP CERAMIC 0.022MF	C554	1-163-037-11	s	CAPACITOR,CHIP CERAMIC 0.022MF
C441	1-107-902-11	s	CAPACITOR,ELECT 1MF/50V	C555	1-163-237-11	s	CAPACITOR CERAMIC 27PF/50V
C442	1-163-235-11	s	CAPACITOR,CHIP CERAMIC22PF/50V	C556	1-163-037-11	s	CAPACITOR,CHIP CERAMIC 0.022MF
C443	1-107-909-11	s	CAPACITOR,ELECT 47MF/50V	C557	1-163-037-11	s	CAPACITOR,CHIP CERAMIC 0.022MF
C444	1-163-037-11	s	CAPACITOR,CHIP CERAMIC 0.022MF	C560	1-163-037-11	s	CAPACITOR,CHIP CERAMIC 0.022MF
C445	1-163-037-11	s	CAPACITOR,CHIP CERAMIC 0.022MF	C561	1-163-037-11	s	CAPACITOR,CHIP CERAMIC 0.022MF
C501	1-163-037-11	s	CAPACITOR,CHIP CERAMIC 0.022MF	C562	1-163-037-11	s	CAPACITOR,CHIP CERAMIC 0.022MF
C502	1-163-037-11	s	CAPACITOR,CHIP CERAMIC 0.022MF	C563	1-163-037-11	s	CAPACITOR,CHIP CERAMIC 0.022MF
C503	1-163-037-11	s	CAPACITOR,CHIP CERAMIC 0.022MF	C564	1-163-037-11	s	CAPACITOR,CHIP CERAMIC 0.022MF
C504	1-163-037-11	s	CAPACITOR,CHIP CERAMIC 0.022MF	C565	1-107-906-11	s	CAPACITOR,ELECT 10MF/50V(105)
C505	1-163-037-11	s	CAPACITOR,CHIP CERAMIC 0.022MF	C566	1-163-037-11	s	CAPACITOR,CHIP CERAMIC 0.022MF
C506	1-163-037-11	s	CAPACITOR,CHIP CERAMIC 0.022MF	C567	1-163-037-11	s	CAPACITOR,CHIP CERAMIC 0.022MF
C507	1-163-037-11	s	CAPACITOR,CHIP CERAMIC 0.022MF	C568	1-128-526-11	s	CAPACITOR,ELECT 100MF/25V
C508	1-163-037-11	s	CAPACITOR,CHIP CERAMIC 0.022MF	C569	1-135-180-21	s	CAPACITOR TANTALUM 3.3MF/10V
C509	1-163-037-11	s	CAPACITOR,CHIP CERAMIC 0.022MF	C570	1-163-037-11	s	CAPACITOR,CHIP CERAMIC 0.022MF
C510	1-163-037-11	s	CAPACITOR,CHIP CERAMIC 0.022MF	C571	1-163-037-11	s	CAPACITOR,CHIP CERAMIC 0.022MF
C511	1-128-526-11	s	CAPACITOR,ELECT 100MF/25V	C572	1-128-526-11	s	CAPACITOR,ELECT 100MF/25V
C512	1-163-037-11	s	CAPACITOR,CHIP CERAMIC 0.022MF	C574	1-135-070-00	s	CAPACITOR TANTALUM 0.1MF/35V
C513	1-163-037-11	s	CAPACITOR,CHIP CERAMIC 0.022MF	C575	1-135-177-21	s	CAPACITOR TANTALUM 1MF/25V
C514	1-107-909-11	s	CAPACITOR,ELECT 47MF/50V	C576	1-163-227-11	s	CAPACITOR CERAMIC 10PF/50V(CH)
C515	1-128-526-11	s	CAPACITOR,ELECT 100MF/25V	C701	1-163-037-11	s	CAPACITOR,CHIP CERAMIC 0.022MF
C516	1-104-922-21	s	CAPACITOR,MINITURE MOLDMICA	C702	1-163-037-11	s	CAPACITOR,CHIP CERAMIC 0.022MF
C517	1-163-037-11	s	CAPACITOR,CHIP CERAMIC 0.022MF	C703	1-128-526-11	s	CAPACITOR,ELECT 100MF/25V
C518	1-128-526-11	s	CAPACITOR,ELECT 100MF/25V	C704	1-163-037-11	s	CAPACITOR,CHIP CERAMIC 0.022MF
C519	1-107-909-11	s	CAPACITOR,ELECT 47MF/50V	C705	1-163-037-11	s	CAPACITOR,CHIP CERAMIC 0.022MF
C520	1-107-905-11	s	CAPACITOR,ELECT 4.7MF/50V	C706	1-163-037-11	s	CAPACITOR,CHIP CERAMIC 0.022MF
C521	1-163-220-11	s	CAPACITOR,CHIP CERAMIC 3.0PF	C707	1-107-909-11	s	CAPACITOR,ELECT 47MF/50V
C522	1-163-224-11	s	CAPACITOR,CHIP CERAMIC 7PF(M-)	C708	1-128-526-11	s	CAPACITOR,ELECT 100MF/25V
C523	1-163-087-00	s	CAPACITOR,CHIP CERAMIC 4.0PF	C709	1-104-922-21	s	CAPACITOR,MINITURE MOLDMICA
C524	1-163-106-00	s	CAPACITOR,CHIP CERAMIC 36PF/50	C710	1-163-037-11	s	CAPACITOR,CHIP CERAMIC 0.022MF

(DM-89 BOARD for DVW-A500P/A510P/CA510P, suffix 17 or higher)

(DM-89 BOARD for DVW-A500P/A510P/CA510P, suffix 17 or higher)

Ref. No. or Q'ty	Part No.	SP Description
C711	1-107-905-11	s CAPACITOR,ELECT 4.7MF/50V
C712	1-128-526-11	s CAPACITOR,ELECT 100MF/25V
C713	1-107-909-11	s CAPACITOR,ELECT 47MF/50V
C714	1-163-037-11	s CAPACITOR,CHIP CERAMIC 0.022MF
C715	1-128-526-11	s CAPACITOR,ELECT 100MF/25V
C716	1-128-526-11	s CAPACITOR,ELECT 100MF/25V
C717	1-163-037-11	s CAPACITOR,CHIP CERAMIC 0.022MF
C718	1-107-907-11	s CAPACITOR,ELECT 22MF/50V
C719	1-163-037-11	s CAPACITOR,CHIP CERAMIC 0.022MF
C720	1-128-526-11	s CAPACITOR,ELECT 100MF/25V
C721	1-163-037-11	s CAPACITOR,CHIP CERAMIC 0.022MF
C722	1-128-526-11	s CAPACITOR,ELECT 100MF/25V
C723	1-127-861-11	s CAP,CERAMIC 2.2MF B(3216)
C724	1-163-037-11	s CAPACITOR,CHIP CERAMIC 0.022MF
C725	1-128-526-11	s CAPACITOR,ELECT 100MF/25V
C726	1-163-037-11	s CAPACITOR,CHIP CERAMIC 0.022MF
C727	1-163-037-11	s CAPACITOR,CHIP CERAMIC 0.022MF
C728	1-163-037-11	s CAPACITOR,CHIP CERAMIC 0.022MF
C729	1-128-526-11	s CAPACITOR,ELECT 100MF/25V
C730	1-163-037-11	s CAPACITOR,CHIP CERAMIC 0.022MF
C731	1-163-234-11	s CAPACITOR CHIP CERAMIC 20PF/50
C732	1-163-037-11	s CAPACITOR,CHIP CERAMIC 0.022MF
C733	1-163-037-11	s CAPACITOR,CHIP CERAMIC 0.022MF
C734	1-163-037-11	s CAPACITOR,CHIP CERAMIC 0.022MF
C735	1-163-037-11	s CAPACITOR,CHIP CERAMIC 0.022MF
C736	1-127-516-11	s CAPACITOR,ELECT (SOLID)220MF
C737	1-128-526-11	s CAPACITOR,ELECT 100MF/25V
C738	1-163-037-11	s CAPACITOR,CHIP CERAMIC 0.022MF
C739	1-163-237-11	s CAPACITOR CERAMIC 27PF/50V
C740	1-163-037-11	s CAPACITOR,CHIP CERAMIC 0.022MF
C741	1-163-237-11	s CAPACITOR CERAMIC 27PF/50V
C742	1-163-037-11	s CAPACITOR,CHIP CERAMIC 0.022MF
C743	1-163-037-11	s CAPACITOR,CHIP CERAMIC 0.022MF
C744	1-163-251-11	s CAPACITOR CERAMIC 100PF/50V
C746	1-163-037-11	s CAPACITOR,CHIP CERAMIC 0.022MF
C747	1-163-037-11	s CAPACITOR,CHIP CERAMIC 0.022MF
C748	1-163-037-11	s CAPACITOR,CHIP CERAMIC 0.022MF
C749	1-163-037-11	s CAPACITOR,CHIP CERAMIC 0.022MF
C750	1-135-180-21	s CAPACITOR TANTALUM 3.3MF/10V
C751	1-135-070-00	s CAPACITOR TANTALUM 0.1MF/35V
C900	1-163-037-11	s CAPACITOR,CHIP CERAMIC 0.022MF
C901	1-163-235-11	s CAPACITOR,CHIP CERAMIC22PF/50V
C902	1-163-235-11	s CAPACITOR,CHIP CERAMIC22PF/50V
C903	1-163-037-11	s CAPACITOR,CHIP CERAMIC 0.022MF
C904	1-128-526-11	s CAPACITOR,ELECT 100MF/25V
C905	1-163-037-11	s CAPACITOR,CHIP CERAMIC 0.022MF
C906	1-163-037-11	s CAPACITOR,CHIP CERAMIC 0.022MF
C907	1-128-526-11	s CAPACITOR,ELECT 100MF/25V
C908	1-163-037-11	s CAPACITOR,CHIP CERAMIC 0.022MF
C909	1-163-037-11	s CAPACITOR,CHIP CERAMIC 0.022MF
C910	1-163-251-11	s CAPACITOR CERAMIC 100PF/50V
C911	1-128-526-11	s CAPACITOR,ELECT 100MF/25V
C912	1-128-526-11	s CAPACITOR,ELECT 100MF/25V
C913	1-163-037-11	s CAPACITOR,CHIP CERAMIC 0.022MF
C914	1-163-037-11	s CAPACITOR,CHIP CERAMIC 0.022MF
C915	1-163-037-11	s CAPACITOR,CHIP CERAMIC 0.022MF
C916	1-107-906-11	s CAPACITOR,ELECT 10MF/50V(105)
C917	1-128-526-11	s CAPACITOR,ELECT 100MF/25V
C918	1-163-037-11	s CAPACITOR,CHIP CERAMIC 0.022MF

Ref. No. or Q'ty	Part No.	SP Description
C919	1-163-037-11	s CAPACITOR,CHIP CERAMIC 0.022MF
C920	1-163-037-11	s CAPACITOR,CHIP CERAMIC 0.022MF
C921	1-163-037-11	s CAPACITOR,CHIP CERAMIC 0.022MF
C922	1-128-526-11	s CAPACITOR,ELECT 100MF/25V
C923	1-128-526-11	s CAPACITOR,ELECT 100MF/25V
C924	1-163-037-11	s CAPACITOR,CHIP CERAMIC 0.022MF
C925	1-163-037-11	s CAPACITOR,CHIP CERAMIC 0.022MF
C926	1-163-037-11	s CAPACITOR,CHIP CERAMIC 0.022MF
C927	1-128-526-11	s CAPACITOR,ELECT 100MF/25V
C928	1-163-037-11	s CAPACITOR,CHIP CERAMIC 0.022MF
C929	1-163-251-11	s CAPACITOR CERAMIC 100PF/50V
C930	1-128-526-11	s CAPACITOR,ELECT 100MF/25V
C931	1-128-526-11	s CAPACITOR,ELECT 100MF/25V
C5069	1-163-037-11	s CAPACITOR,CHIP CERAMIC 0.022MF
C5070	1-163-037-11	s CAPACITOR,CHIP CERAMIC 0.022MF
CN103	1-750-795-21	s CONNECTOR, PRINT PC BOARD
D110	8-719-941-23	s DIODE DA204U
D301	8-719-404-35	s DIODE MA141WK
D302	8-719-404-35	s DIODE MA141WK
D410	8-719-941-23	s DIODE DA204U
D501	8-719-024-81	s DIODE 1SS300-TE85L
D502	8-719-159-85	s DIODE RD2.OMB
D503	8-719-404-35	s DIODE MA141WK
D504	8-719-024-81	s DIODE 1SS300-TE85L
D510	8-719-941-23	s DIODE DA204U
D701	8-719-024-81	s DIODE 1SS300-TE85L
D702	8-719-159-85	s DIODE RD2.OMB
D703	8-719-404-35	s DIODE MA141WK
D710	8-719-941-23	s DIODE DA204U
D901	8-719-024-81	s DIODE 1SS300-TE85L
D902	8-719-026-16	s LED CL-150D-CD
D903	8-719-404-35	s DIODE MA141WK
D904	8-719-404-35	s DIODE MA141WK
E101	1-535-881-21	o TERMINAL, TP (AUTO INSERTION)
E102	1-535-881-21	o TERMINAL, TP (AUTO INSERTION)
E103	1-535-881-21	o TERMINAL, TP (AUTO INSERTION)
E104	1-535-881-21	o TERMINAL, TP (AUTO INSERTION)
E105	1-535-881-21	o TERMINAL, TP (AUTO INSERTION)
E301	1-535-881-21	o TERMINAL, TP (AUTO INSERTION)
E302	1-535-881-21	o TERMINAL, TP (AUTO INSERTION)
E303	*a 1-535-881-21	o TERMINAL, TP (AUTO INSERTION)
E501	1-535-881-21	o TERMINAL, TP (AUTO INSERTION)
E701	1-535-881-21	o TERMINAL, TP (AUTO INSERTION)
E702	1-535-881-21	o TERMINAL, TP (AUTO INSERTION)
E901	1-535-881-21	o TERMINAL, TP (AUTO INSERTION)
E902	*a 1-535-881-21	o TERMINAL, TP (AUTO INSERTION)
FL101	1-415-854-11	s DELAY LINE
FL103	1-415-674-11	s DELAY LINE
FL301	1-415-852-11	s DELAY LINE
FL302	1-415-853-11	s DELAY LINE
FL501	1-239-158-11	s FILTER, LOW PASS
FL502	1-239-164-11	s FILTER, LOW PASS
FL503	1-239-713-11	s FILTER, LOW PASS
FL504	1-239-714-11	s FILTER, LOW PASS
FL701	1-239-159-11	s FILTER, LOW PASS
FL702	1-239-160-11	s FILTER, LOW PASS
FL703	1-239-714-11	s FILTER, LOW PASS



(DM-89 BOARD for DVW-A500P/A510P/CA510P, suffix 17 or higher)

(DM-89 BOARD for DVW-A500P/A510P/CA510P, suffix 17 or higher)

Ref. No. or Q'ty	Part No.	SP	Description
FL704	1-239-063-31	s	FILTER, LOW PASS
IC1	8-752-036-77	s	IC CXA1179N
IC101	8-752-052-75	s	IC CXA1479Q
IC102	8-752-052-73	s	IC CXA1451M
IC103	8-759-112-53	s	IC UPC1663G
IC104	8-759-009-07	s	IC MC14053BF
IC106	8-759-009-06	s	IC MC14052BF
IC107	8-759-708-05	s	IC NJM78L05A
IC108	8-759-708-05	s	IC NJM78L05A
IC109	8-759-700-65	s	IC NJM79L05A
IC112	8-759-673-36	s	IC MM74HC00SJX
IC114	8-759-234-20	s	IC TC7S08F
IC115	8-759-234-20	s	IC TC7S08F
IC210	6-700-135-01	s	IC TL084CDR
IC222	6-703-695-01	s	IC S-80727CNMC-B8MT2
IC301	8-752-052-75	s	IC CXA1479Q
IC302	8-752-052-73	s	IC CXA1451M
IC304	8-759-234-20	s	IC TC7S08F
IC305	8-759-673-36	s	IC MM74HC00SJX
IC306	8-759-708-05	s	IC NJM78L05A
IC307	8-759-708-05	s	IC NJM78L05A
IC308	8-759-700-65	s	IC NJM79L05A
IC309	8-759-234-20	s	IC TC7S08F
IC310	8-759-035-90	s	IC SC7S02F
IC311	8-759-035-90	s	IC SC7S02F
IC312	8-759-234-77	s	IC TC4S66F
IC313	8-759-035-90	s	IC SC7S02F
IC314	8-759-234-20	s	IC TC7S08F
IC315	8-759-234-77	s	IC TC4S66F
IC401	6-700-135-01	s	IC TL084CDR
IC402	8-759-009-07	s	IC MC14053BF
IC501	8-752-052-48	s	IC CXA1370Q
IC503	1-810-128-11	s	IC BP-015
IC504	8-759-708-05	s	IC NJM78L05A
IC505	8-759-700-78	s	IC NJM082M
IC506	8-752-061-02	s	IC CXA1450M
IC507	8-759-035-93	s	IC SC7S32F
IC508	8-759-708-05	s	IC NJM78L05A
IC509	8-759-012-00	s	IC MC10H116M
IC510	8-759-700-65	s	IC NJM79L05A
IC511	8-759-035-93	s	IC SC7S32F
IC512	8-759-700-07	s	IC NJM2903M
IC513	8-759-031-84	s	IC SC7S04F
IC514	8-752-052-73	s	IC CXA1451M
IC515	8-759-708-05	s	IC NJM78L05A
IC516	8-759-700-65	s	IC NJM79L05A
IC517	8-759-708-05	s	IC NJM78L05A
IC518	8-759-035-93	s	IC SC7S32F
IC700	8-759-058-62	s	IC TC7S08FU-TE85R
IC701	8-752-052-48	s	IC CXA1370Q
IC703	1-810-128-11	s	IC BP-015
IC704	8-759-708-05	s	IC NJM78L05A
IC705	8-759-035-93	s	IC SC7S32F
IC706	8-759-708-05	s	IC NJM78L05A
IC707	8-759-012-00	s	IC MC10H116M
IC708	8-759-700-65	s	IC NJM79L05A
IC710	8-759-700-07	s	IC NJM2903M
IC711	8-752-052-73	s	IC CXA1451M

Ref. No. or Q'ty	Part No.	SP	Description
IC900	8-759-031-84	s	IC SC7S04F
IC901	8-759-009-07	s	IC MC14053BF
IC902	8-759-009-07	s	IC MC14053BF
IC903	8-759-009-07	s	IC MC14053BF
IC904	8-759-635-27	s	IC M62352GP
IC905	8-759-635-27	s	IC M62352GP
IC906	8-759-263-32	s	IC UPD78011BGC-608-AB8
IC908	8-759-488-17	s	IC BR93LC46F-E2
IC909	8-759-009-04	s	IC MC14050BF
IC910	8-759-009-03	s	IC MC14049UBF
IC911	8-759-673-39	s	IC MM74HC02SJX
IC912	8-759-708-05	s	IC NJM78L05A
IC913	8-759-035-93	s	IC SC7S32F
IC914	8-759-058-62	s	IC TC7S08FU-TE85R
IC915	8-759-058-62	s	IC TC7S08FU-TE85R
L101	1-410-378-11	s	INDUCTOR,CHIP 5.6UH (3225)
L102	1-410-378-11	s	INDUCTOR,CHIP 5.6UH (3225)
L103	1-410-380-31	s	INDUCTOR,CHIP 8.2UH (3225)
L104	1-410-378-11	s	INDUCTOR,CHIP 5.6UH (3225)
L105	1-410-381-11	s	CHIP INDUCTOR 10UH (3225)
L106	1-410-381-11	s	CHIP INDUCTOR 10UH (3225)
L107	1-410-380-31	s	INDUCTOR,CHIP 8.2UH (3225)
L108	1-410-380-31	s	INDUCTOR,CHIP 8.2UH (3225)
L109	1-410-381-11	s	CHIP INDUCTOR 10UH (3225)
L110	1-410-371-41	s	CHIP INDUCTOR 1.5UH
L111	1-410-369-11	s	CHIP INDUCTOR 1.0UH (3225)
L112	1-410-383-31	s	INDUCTOR,CHIP 15UH (3225)
L113	1-410-376-21	s	INDUCTOR,CHIP 3.9UH (3225)
L114	1-410-372-21	s	CHIP INDUCTOR 1.8UH (3225)
L115	1-410-380-31	s	INDUCTOR,CHIP 8.2UH (3225)
L116	1-410-381-11	s	CHIP INDUCTOR 10UH (3225)
L117	1-410-375-11	s	CHIP INDUCTOR 3.3UH (3225)
L118	1-410-381-11	s	CHIP INDUCTOR 10UH (3225)
L119	1-410-382-31	s	INDUCTOR,CHIP 12UH (3225)
L120	1-410-389-31	s	INDUCTOR,CHIP 47UH (3225)
L121	1-410-373-31	s	CHIP INDUCTOR 2.2UH (3225)
L122	1-410-377-31	s	INDUCTOR,CHIP 4.7UH (3225)
L201	1-410-371-41	s	CHIP INDUCTOR 1.5UH
L202	1-410-371-41	s	CHIP INDUCTOR 1.5UH
L203	1-412-203-11	s	MICRO INDUCTOR 560UH
L301	1-410-379-31	s	CHIP INDUCTOR 6.8UH (3225)
L302	1-410-379-31	s	CHIP INDUCTOR 6.8UH (3225)
L303	1-412-282-41	s	INDUCTOR INDUCTOR 470UH (3225)
L304	1-412-282-41	s	INDUCTOR INDUCTOR 470UH (3225)
L305	1-410-380-31	s	INDUCTOR,CHIP 8.2UH (3225)
L306	1-410-380-31	s	INDUCTOR,CHIP 8.2UH (3225)
L307	1-410-380-31	s	INDUCTOR,CHIP 8.2UH (3225)
L308	1-410-380-31	s	INDUCTOR,CHIP 8.2UH (3225)
L309	1-410-380-31	s	INDUCTOR,CHIP 8.2UH (3225)
L310	1-410-380-31	s	INDUCTOR,CHIP 8.2UH (3225)
L311	1-410-381-11	s	CHIP INDUCTOR 10UH (3225)
L312	1-410-383-31	s	INDUCTOR,CHIP 15UH (3225)
L401	1-410-371-41	s	CHIP INDUCTOR 1.5UH
L402	1-410-371-41	s	CHIP INDUCTOR 1.5UH
L403	1-412-203-11	s	MICRO INDUCTOR 560UH
L404	1-410-393-11	s	CHIP INDUCTOR 100UH (3225)
L405	1-410-381-11	s	CHIP INDUCTOR 10UH (3225)
L406	1-410-381-11	s	CHIP INDUCTOR 10UH (3225)
L501	1-412-282-41	s	INDUCTOR INDUCTOR 470UH (3225)

(DM-89 BOARD for DVW-A500P/A510P/CA510P, suffix 17 or higher)

(DM-89 BOARD for DVW-A500P/A510P/CA510P, suffix 17 or higher)

Ref. No. or Q'ty	Part No.	SP Description
L502	1-412-206-11	s MICRO INDUCTOR 1MMH
L503	1-410-393-11	s CHIP INDUCTOR 100UH (3225)
L504	1-410-393-11	s CHIP INDUCTOR 100UH (3225)
L505	1-410-393-11	s CHIP INDUCTOR 100UH (3225)
L506	1-410-393-11	s CHIP INDUCTOR 100UH (3225)
L507	1-410-393-11	s CHIP INDUCTOR 100UH (3225)
L701	1-410-393-11	s CHIP INDUCTOR 100UH (3225)
L702	1-410-393-11	s CHIP INDUCTOR 100UH (3225)
L703	1-410-393-11	s CHIP INDUCTOR 100UH (3225)
L704	1-410-393-11	s CHIP INDUCTOR 100UH (3225)
L705	1-410-393-11	s CHIP INDUCTOR 100UH (3225)
L5000	1-410-381-11	s CHIP INDUCTOR 10UH (3225)
L5001	1-410-381-11	s CHIP INDUCTOR 10UH (3225)
Q101	8-729-117-72	s TRANSISTOR 2SC4178
Q102	8-729-117-72	s TRANSISTOR 2SC4178
Q103	8-729-117-72	s TRANSISTOR 2SC4178
Q104	8-729-117-72	s TRANSISTOR 2SC4178
Q105	8-729-117-72	s TRANSISTOR 2SC4178
Q106	8-729-117-72	s TRANSISTOR 2SC4178
Q107	8-729-143-07	s TRANSISTOR 2SA1610-Y33
Q108	8-729-117-72	s TRANSISTOR 2SC4178
Q109	8-729-143-07	s TRANSISTOR 2SA1610-Y33
Q110	8-729-117-72	s TRANSISTOR 2SC4178
Q111	8-729-117-72	s TRANSISTOR 2SC4178
Q112	8-729-117-72	s TRANSISTOR 2SC4178
Q113	8-729-143-07	s TRANSISTOR 2SA1610-Y33
Q114	8-729-117-72	s TRANSISTOR 2SC4178
Q115	8-729-143-07	s TRANSISTOR 2SA1610-Y33
Q117	8-729-209-07	s TRANSISTOR 2SC4213-B
Q118	8-729-209-07	s TRANSISTOR 2SC4213-B
Q119	8-729-209-07	s TRANSISTOR 2SC4213-B
Q120	8-729-209-07	s TRANSISTOR 2SC4213-B
Q121	8-729-117-72	s TRANSISTOR 2SC4178
Q122	8-729-117-72	s TRANSISTOR 2SC4178
Q123	8-729-028-91	s TRANSISTOR DTA144EUA-T106
Q124	8-729-143-07	s TRANSISTOR 2SA1610-Y33
Q125	8-729-117-72	s TRANSISTOR 2SC4178
Q126	8-729-028-91	s TRANSISTOR DTA144EUA-T106
Q127	8-729-143-07	s TRANSISTOR 2SA1610-Y33
Q128	8-729-117-72	s TRANSISTOR 2SC4178
Q129	8-729-028-91	s TRANSISTOR DTA144EUA-T106
Q130	8-729-143-07	s TRANSISTOR 2SA1610-Y33
Q131	8-729-117-72	s TRANSISTOR 2SC4178
Q132	8-729-117-72	s TRANSISTOR 2SC4178
Q133	8-729-117-72	s TRANSISTOR 2SC4178
Q138	8-729-117-72	s TRANSISTOR 2SC4178
Q139	8-729-117-72	s TRANSISTOR 2SC4178
Q140	8-729-117-72	s TRANSISTOR 2SC4178
Q141	8-729-117-72	s TRANSISTOR 2SC4178
Q142	8-729-117-72	s TRANSISTOR 2SC4178
Q143	8-729-143-07	s TRANSISTOR 2SA1610-Y33
Q144	8-729-140-63	s TRANSISTOR 2SA1611-M5M6
Q145	8-729-117-72	s TRANSISTOR 2SC4178
Q146	8-729-143-07	s TRANSISTOR 2SA1610-Y33
Q147	8-729-140-63	s TRANSISTOR 2SA1611-M5M6
Q148	8-729-209-07	s TRANSISTOR 2SC4213-B
Q149	8-729-209-07	s TRANSISTOR 2SC4213-B
Q150	8-729-117-32	s TRANSISTOR 2SC4177

Ref. No. or Q'ty	Part No.	SP Description
Q178	8-729-117-72	s TRANSISTOR 2SC4178
Q201	8-729-117-72	s TRANSISTOR 2SC4178
Q202	8-729-117-72	s TRANSISTOR 2SC4178
Q210	8-729-029-14	s TRANSISTOR DTC144EUA-T106
Q213	8-729-140-63	s TRANSISTOR 2SA1611-M5M6
Q214	8-729-117-32	s TRANSISTOR 2SC4177
Q215	8-729-029-14	s TRANSISTOR DTC144EUA-T106
Q301	8-729-117-72	s TRANSISTOR 2SC4178
Q302	8-729-117-72	s TRANSISTOR 2SC4178
Q303	8-729-117-72	s TRANSISTOR 2SC4178
Q304	8-729-117-72	s TRANSISTOR 2SC4178
Q305	8-729-117-72	s TRANSISTOR 2SC4178
Q306	8-729-117-72	s TRANSISTOR 2SC4178
Q307	8-729-143-07	s TRANSISTOR 2SA1610-Y33
Q308	8-729-117-72	s TRANSISTOR 2SC4178
Q309	8-729-143-07	s TRANSISTOR 2SA1610-Y33
Q310	8-729-117-72	s TRANSISTOR 2SC4178
Q311	8-729-117-72	s TRANSISTOR 2SC4178
Q312	8-729-117-72	s TRANSISTOR 2SC4178
Q313	8-729-143-07	s TRANSISTOR 2SA1610-Y33
Q314	8-729-117-72	s TRANSISTOR 2SC4178
Q315	8-729-143-07	s TRANSISTOR 2SA1610-Y33
Q319	8-729-117-72	s TRANSISTOR 2SC4178
Q320	8-729-117-72	s TRANSISTOR 2SC4178
Q321	8-729-117-72	s TRANSISTOR 2SC4178
Q322	8-729-117-72	s TRANSISTOR 2SC4178
Q323	8-729-117-72	s TRANSISTOR 2SC4178
Q401	8-729-117-72	s TRANSISTOR 2SC4178
Q402	8-729-117-72	s TRANSISTOR 2SC4178
Q403	8-729-117-32	s TRANSISTOR 2SC4177
Q410	8-729-140-63	s TRANSISTOR 2SA1611-M5M6
Q501	8-729-029-14	s TRANSISTOR DTC144EUA-T106
Q502	8-729-904-41	s TRANSISTOR FMY3
Q503	8-729-904-41	s TRANSISTOR FMY3
Q504	8-729-904-41	s TRANSISTOR FMY3
Q505	8-729-904-41	s TRANSISTOR FMY3
Q506	8-729-117-72	s TRANSISTOR 2SC4178
Q507	8-729-028-91	s TRANSISTOR DTA144EUA-T106
Q508	8-729-117-32	s TRANSISTOR 2SC4177
Q509	8-729-117-32	s TRANSISTOR 2SC4177
Q510	8-729-117-32	s TRANSISTOR 2SC4177
Q511	8-729-117-32	s TRANSISTOR 2SC4177
Q512	8-729-117-32	s TRANSISTOR 2SC4177
Q513	8-729-117-32	s TRANSISTOR 2SC4177
Q514	8-729-029-14	s TRANSISTOR DTC144EUA-T106
Q515	8-729-117-32	s TRANSISTOR 2SC4177
Q516	8-729-117-32	s TRANSISTOR 2SC4177
Q517	8-729-028-91	s TRANSISTOR DTA144EUA-T106
Q518	8-729-028-91	s TRANSISTOR DTA144EUA-T106
Q520	8-729-029-14	s TRANSISTOR DTC144EUA-T106
Q521	8-729-117-32	s TRANSISTOR 2SC4177
Q522	8-729-117-32	s TRANSISTOR 2SC4177
Q523	8-729-117-32	s TRANSISTOR 2SC4177
Q524	8-729-029-14	s TRANSISTOR DTC144EUA-T106
Q525	8-729-140-63	s TRANSISTOR 2SA1611-M5M6
Q526	8-729-117-32	s TRANSISTOR 2SC4177
Q528	8-729-904-41	s TRANSISTOR FMY3
Q701	8-729-140-63	s TRANSISTOR 2SA1611-M5M6
Q702	8-729-117-32	s TRANSISTOR 2SC4177

(DM-89 BOARD for DVW-A500P/A510P/CA510P, suffix 17 or higher)

(DM-89 BOARD for DVW-A500P/A510P/CA510P, suffix 17 or higher)

Ref. No. or Q'ty	Part No.	SP	Description
Q703	8-729-140-63	s	TRANSISTOR 2SA1611-M5M6
Q704	8-729-117-32	s	TRANSISTOR 2SC4177
Q705	8-729-117-32	s	TRANSISTOR 2SC4177
Q706	8-729-140-63	s	TRANSISTOR 2SA1611-M5M6
Q707	8-729-140-63	s	TRANSISTOR 2SA1611-M5M6
Q708	8-729-117-32	s	TRANSISTOR 2SC4177
Q709	8-729-117-32	s	TRANSISTOR 2SC4177
Q710	8-729-117-72	s	TRANSISTOR 2SC4178
Q711	8-729-028-91	s	TRANSISTOR DTA144EUA-T106
Q712	8-729-117-32	s	TRANSISTOR 2SC4177
Q713	8-729-117-32	s	TRANSISTOR 2SC4177
Q714	8-729-117-32	s	TRANSISTOR 2SC4177
Q715	8-729-117-32	s	TRANSISTOR 2SC4177
Q716	8-729-117-32	s	TRANSISTOR 2SC4177
Q717	8-729-117-32	s	TRANSISTOR 2SC4177
Q718	8-729-029-14	s	TRANSISTOR DTC144EUA-T106
Q719	8-729-117-32	s	TRANSISTOR 2SC4177
Q720	8-729-117-32	s	TRANSISTOR 2SC4177
Q722	8-729-117-32	s	TRANSISTOR 2SC4177
Q723	8-729-117-32	s	TRANSISTOR 2SC4177
Q724	8-729-117-32	s	TRANSISTOR 2SC4177
Q725	8-729-029-14	s	TRANSISTOR DTC144EUA-T106
Q901	8-729-029-14	s	TRANSISTOR DTC144EUA-T106
Q902	8-729-029-14	s	TRANSISTOR DTC144EUA-T106
R100	1-216-049-91	s	RESISTOR,CHIP 1K 1/10W(2125)
R102	1-216-630-11	s	RESISTOR,CHIP 130 1/10W(2012)
R104	1-216-629-11	s	RESISTOR,CHIP 120 1/10W (2012)
R107	1-216-025-91	s	RESISTOR,CHIP 100 1/10W(2125)
R108	1-216-683-11	s	RESISTOR CHIP 22K 1/10W (2012)
R110	1-216-651-11	s	RESISTOR,CHIP 1K 1/10W(2012)
R111	1-216-025-91	s	RESISTOR,CHIP 100 1/10W(2125)
R113	1-216-651-11	s	RESISTOR,CHIP 1K 1/10W(2012)
R114	1-216-651-11	s	RESISTOR,CHIP 1K 1/10W(2012)
R115	1-216-049-91	s	RESISTOR,CHIP 1K 1/10W(2125)
R116	1-216-033-00	s	RESISTOR,CHIP 220 1/10W(2012)
R117	1-216-667-11	s	RESISTOR,CHIP 4.7K 1/10W(2012)
R118	1-216-635-11	s	RESISTOR CHIP 220 1/10W (2012)
R119	1-216-037-00	s	RESISTOR,CHIP 330 1/10W(2012)
R120	1-216-037-00	s	RESISTOR,CHIP 330 1/10W(2012)
R121	1-216-065-91	s	RESISTOR,CHIP 4.7K (2012)
R122	1-216-065-91	s	RESISTOR,CHIP 4.7K (2012)
R123	1-216-057-00	s	RESISTOR CHIP 2.2K 1/10W(2012)
R124	1-216-624-11	s	RESISTOR,CHIP 75 1/10W(2012)
R125	1-216-025-91	s	RESISTOR,CHIP 100 1/10W(2125)
R126	1-216-061-00	s	RESISTOR CHIP 3.3K 1/10W(2012)
R127	1-216-033-00	s	RESISTOR,CHIP 220 1/10W(2012)
R128	1-216-638-11	s	RESISTOR,CHIP 300 1/10W (2012)
R129	1-216-638-11	s	RESISTOR,CHIP 300 1/10W (2012)
R130	1-216-025-91	s	RESISTOR,CHIP 100 1/10W(2125)
R131	1-216-065-91	s	RESISTOR,CHIP 4.7K (2012)
R132	1-216-025-91	s	RESISTOR,CHIP 100 1/10W(2125)
R133	1-216-041-00	s	RESISTOR, CHIP 470 1/10W(2012)
R134	1-216-642-11	s	RESISTOR,CHIP 430 1/10W (2012)
R135	1-216-644-11	s	RESISTOR CHIP 510 1/10W (2012)
R136	1-216-033-00	s	RESISTOR,CHIP 220 1/10W(2012)
R137	1-216-025-91	s	RESISTOR,CHIP 100 1/10W(2125)
R138	1-216-025-91	s	RESISTOR,CHIP 100 1/10W(2125)
R139	1-216-065-91	s	RESISTOR,CHIP 4.7K (2012)
R140	1-216-041-00	s	RESISTOR, CHIP 470 1/10W(2012)

Ref. No. or Q'ty	Part No.	SP	Description
R141	1-216-641-11	s	RESISTOR,CHIP 390 1/10W(2012)
R142	1-216-644-11	s	RESISTOR CHIP 510 1/10W (2012)
R143	1-216-033-00	s	RESISTOR,CHIP 220 1/10W(2012)
R144	1-216-025-91	s	RESISTOR,CHIP 100 1/10W(2125)
R145	1-216-065-91	s	RESISTOR,CHIP 4.7K (2012)
R146	1-216-041-00	s	RESISTOR, CHIP 470 1/10W(2012)
R147	1-216-061-00	s	RESISTOR CHIP 3.3K 1/10W(2012)
R148	1-216-033-00	s	RESISTOR,CHIP 220 1/10W(2012)
R149	1-216-639-11	s	RESISTOR,CHIP 330 1/10W (2012)
R150	1-216-639-11	s	RESISTOR,CHIP 330 1/10W (2012)
R151	1-216-025-91	s	RESISTOR,CHIP 100 1/10W(2125)
R152	1-216-065-91	s	RESISTOR,CHIP 4.7K (2012)
R153	1-216-025-91	s	RESISTOR,CHIP 100 1/10W(2125)
R154	1-216-041-00	s	RESISTOR, CHIP 470 1/10W(2012)
R155	1-216-642-11	s	RESISTOR,CHIP 430 1/10W (2012)
R156	1-216-644-11	s	RESISTOR CHIP 510 1/10W (2012)
R157	1-216-033-00	s	RESISTOR,CHIP 220 1/10W(2012)
R158	1-216-025-91	s	RESISTOR,CHIP 100 1/10W(2125)
R159	1-216-025-91	s	RESISTOR,CHIP 100 1/10W(2125)
R160	1-216-065-91	s	RESISTOR,CHIP 4.7K (2012)
R161	1-216-041-00	s	RESISTOR, CHIP 470 1/10W(2012)
R162	1-216-640-11	s	RESISTOR METAL CHIP 360 1/10W
R163	1-216-644-11	s	RESISTOR CHIP 510 1/10W (2012)
R164	1-216-033-00	s	RESISTOR,CHIP 220 1/10W(2012)
R165	1-216-025-91	s	RESISTOR,CHIP 100 1/10W(2125)
R166	1-216-065-91	s	RESISTOR,CHIP 4.7K (2012)
R167	1-216-049-91	s	RESISTOR,CHIP 1K 1/10W(2125)
R168	1-216-009-00	s	RESISTOR,CHIP 22 1/10W(2125)
R169	1-216-049-91	s	RESISTOR,CHIP 1K 1/10W(2125)
R170	1-216-657-11	s	RESISTOR,CHIP 1.8K 1/10W(2012)
R171	1-216-051-00	s	RESISTOR,CHIP 1.2K 1/10W(2012)
R172	1-216-057-00	s	RESISTOR CHIP 2.2K 1/10W(2012)
R173	1-216-638-11	s	RESISTOR,CHIP 300 1/10W (2012)
R174	1-216-073-00	s	RESISTOR,CHIP 10K 1/10W(2012)
R175	1-216-073-00	s	RESISTOR,CHIP 10K 1/10W(2012)
R176	1-216-073-00	s	RESISTOR,CHIP 10K 1/10W(2012)
R177	1-216-073-00	s	RESISTOR,CHIP 10K 1/10W(2012)
R178	1-216-638-11	s	RESISTOR,CHIP 300 1/10W (2012)
R179	1-216-025-91	s	RESISTOR,CHIP 100 1/10W(2125)
R180	1-216-065-91	s	RESISTOR,CHIP 4.7K (2012)
R181	1-216-073-00	s	RESISTOR,CHIP 10K 1/10W(2012)
R182	1-216-025-91	s	RESISTOR,CHIP 100 1/10W(2125)
R183	1-216-073-00	s	RESISTOR,CHIP 10K 1/10W(2012)
R184	1-216-025-91	s	RESISTOR,CHIP 100 1/10W(2125)
R185	1-216-065-91	s	RESISTOR,CHIP 4.7K (2012)
R186	1-216-073-00	s	RESISTOR,CHIP 10K 1/10W(2012)
R187	1-216-025-91	s	RESISTOR,CHIP 100 1/10W(2125)
R188	1-216-073-00	s	RESISTOR,CHIP 10K 1/10W(2012)
R189	1-216-065-91	s	RESISTOR,CHIP 4.7K (2012)
R190	1-216-025-91	s	RESISTOR,CHIP 100 1/10W(2125)
R191	1-216-073-00	s	RESISTOR,CHIP 10K 1/10W(2012)
R192	1-216-025-91	s	RESISTOR,CHIP 100 1/10W(2125)
R193	1-216-073-00	s	RESISTOR,CHIP 10K 1/10W(2012)
R194	1-216-025-91	s	RESISTOR,CHIP 100 1/10W(2125)
R195	1-216-065-91	s	RESISTOR,CHIP 4.7K (2012)
R196	1-216-049-91	s	RESISTOR,CHIP 1K 1/10W(2125)
R197	1-216-073-00	s	RESISTOR,CHIP 10K 1/10W(2012)
R198	1-216-073-00	s	RESISTOR,CHIP 10K 1/10W(2012)
R199	1-216-638-11	s	RESISTOR,CHIP 300 1/10W (2012)

(DM-89 BOARD for DVW-A500P/A510P/CA510P, suffix 17 or higher)

(DM-89 BOARD for DVW-A500P/A510P/CA510P, suffix 17 or higher)

Ref. No. or Q'ty	Part No.	SP Description
R200	1-216-025-91	s RESISTOR,CHIP 100 1/10W(2125)
R201	1-216-057-00	s RESISTOR CHIP 2.2K 1/10W(2012)
R202	1-216-073-00	s RESISTOR,CHIP 10K 1/10W(2012)
R203	1-216-073-00	s RESISTOR,CHIP 10K 1/10W(2012)
R204	1-216-073-00	s RESISTOR,CHIP 10K 1/10W(2012)
R206	1-216-033-00	s RESISTOR,CHIP 220 1/10W(2012)
R207	1-216-033-00	s RESISTOR,CHIP 220 1/10W(2012)
R208	1-216-049-91	s RESISTOR,CHIP 1K 1/10W(2125)
R209	1-216-033-00	s RESISTOR,CHIP 220 1/10W(2012)
R214	1-216-635-11	s RESISTOR CHIP 220 1/10W (2012)
R215	1-216-065-91	s RESISTOR,CHIP 4.7K (2012)
R216	1-216-037-00	s RESISTOR,CHIP 330 1/10W(2012)
R217	1-216-037-00	s RESISTOR,CHIP 330 1/10W(2012)
R218	1-216-065-91	s RESISTOR,CHIP 4.7K (2012)
R219	1-216-065-91	s RESISTOR,CHIP 4.7K (2012)
R220	1-216-049-91	s RESISTOR,CHIP 1K 1/10W(2125)
R221	1-216-049-91	s RESISTOR,CHIP 1K 1/10W(2125)
R222	1-216-009-00	s RESISTOR,CHIP 22 1/10W(2125)
R223	1-216-009-00	s RESISTOR,CHIP 22 1/10W(2125)
R224	1-216-057-00	s RESISTOR CHIP 2.2K 1/10W(2012)
R225	1-216-057-00	s RESISTOR CHIP 2.2K 1/10W(2012)
R226	1-216-009-00	s RESISTOR,CHIP 22 1/10W(2125)
R227	1-216-009-00	s RESISTOR,CHIP 22 1/10W(2125)
R228	1-216-113-00	s RESISTOR CHIP 470K 1/10W(2012)
R230	1-216-049-91	s RESISTOR,CHIP 1K 1/10W(2125)
R231	1-216-651-11	s RESISTOR,CHIP 1K 1/10W(2012)
R232	1-216-295-91	s RESISTOR, CHIP 0 (1/10W)
R233	1-216-049-91	s RESISTOR,CHIP 1K 1/10W(2125)
R234	1-216-653-11	s RESISTOR CHIP 1.2K 1/10W(2012)
R235	1-216-073-00	s RESISTOR,CHIP 10K 1/10W(2012)
R236	1-216-073-00	s RESISTOR,CHIP 10K 1/10W(2012)
R237	1-216-049-91	s RESISTOR,CHIP 1K 1/10W(2125)
R238	1-216-063-91	s RESISTOR,CHIP 3.9K 1/10W(2125)
R239	1-216-049-91	s RESISTOR,CHIP 1K 1/10W(2125)
R240	1-216-073-00	s RESISTOR,CHIP 10K 1/10W(2012)
R241	1-216-073-00	s RESISTOR,CHIP 10K 1/10W(2012)
R242	1-216-049-91	s RESISTOR,CHIP 1K 1/10W(2125)
R243	1-216-063-91	s RESISTOR,CHIP 3.9K 1/10W(2125)
R244	1-216-049-91	s RESISTOR,CHIP 1K 1/10W(2125)
R245	1-216-025-91	s RESISTOR,CHIP 100 1/10W(2125)
R246	1-216-033-00	s RESISTOR,CHIP 220 1/10W(2012)
R247	1-216-033-00	s RESISTOR,CHIP 220 1/10W(2012)
R248	1-216-033-00	s RESISTOR,CHIP 220 1/10W(2012)
R249	1-216-033-00	s RESISTOR,CHIP 220 1/10W(2012)
R250	1-216-037-00	s RESISTOR,CHIP 330 1/10W(2012)
R251	1-216-644-11	s RESISTOR CHIP 510 1/10W (2012)
R252	1-216-644-11	s RESISTOR CHIP 510 1/10W (2012)
R253	1-216-037-00	s RESISTOR,CHIP 330 1/10W(2012)
R254	1-216-037-00	s RESISTOR,CHIP 330 1/10W(2012)
R255	1-216-065-91	s RESISTOR,CHIP 4.7K (2012)
R256	1-216-065-91	s RESISTOR,CHIP 4.7K (2012)
R257	1-216-073-00	s RESISTOR,CHIP 10K 1/10W(2012)
R258	1-216-089-91	s RESISTOR, CHIP 47K
R259	1-216-081-00	s RESISTOR,CHIP 22K 1/10W(2012)
R260	1-216-081-00	s RESISTOR,CHIP 22K 1/10W(2012)
R261	1-216-073-00	s RESISTOR,CHIP 10K 1/10W(2012)
R262	1-216-679-11	s RESISTOR CHIP 15K 1/10W (2012)
R263	1-216-687-11	s RESISTOR CHIP 33K 1/10W (2012)
R264	1-216-073-00	s RESISTOR,CHIP 10K 1/10W(2012)

Ref. No. or Q'ty	Part No.	SP Description
R265	1-216-073-00	s RESISTOR,CHIP 10K 1/10W(2012)
R266	1-216-033-00	s RESISTOR,CHIP 220 1/10W(2012)
R267	1-216-033-00	s RESISTOR,CHIP 220 1/10W(2012)
R268	1-216-081-00	s RESISTOR,CHIP 22K 1/10W(2012)
R269	1-216-065-91	s RESISTOR,CHIP 4.7K (2012)
R271	1-216-049-91	s RESISTOR,CHIP 1K 1/10W(2125)
R274	1-216-097-91	s RESISTOR,CHIP 100K 1/10W(2012)
R275	1-216-025-91	s RESISTOR,CHIP 100 1/10W(2125)
R277	1-216-049-91	s RESISTOR,CHIP 1K 1/10W(2125)
R286	1-216-624-11	s RESISTOR,CHIP 75 1/10W(2012)
R287	1-216-081-00	s RESISTOR,CHIP 22K 1/10W(2012)
R288	1-216-073-00	s RESISTOR,CHIP 10K 1/10W(2012)
R289	1-216-049-91	s RESISTOR,CHIP 1K 1/10W(2125)
R290	1-216-073-00	s RESISTOR,CHIP 10K 1/10W(2012)
R291	1-216-049-91	s RESISTOR,CHIP 1K 1/10W(2125)
R292	1-216-049-91	s RESISTOR,CHIP 1K 1/10W(2125)
R293	1-216-049-91	s RESISTOR,CHIP 1K 1/10W(2125)
R294	1-216-073-00	s RESISTOR,CHIP 10K 1/10W(2012)
R295	1-216-073-00	s RESISTOR,CHIP 10K 1/10W(2012)
R296	1-216-049-91	s RESISTOR,CHIP 1K 1/10W(2125)
R297	1-216-659-11	s RESISTOR,CHIP 2.2K 1/10W(2012)
R298	1-216-643-11	s RESISTOR CHIP 470 1/10W (2012)
R299	1-216-073-00	s RESISTOR,CHIP 10K 1/10W(2012)
R300	1-216-057-00	s RESISTOR CHIP 2.2K 1/10W(2012)
R301	1-216-630-11	s RESISTOR,CHIP 130 1/10W(2012)
R303	1-216-629-11	s RESISTOR,CHIP 120 1/10W (2012)
R305	1-216-049-91	s RESISTOR,CHIP 1K 1/10W(2125)
R307	1-216-025-91	s RESISTOR,CHIP 100 1/10W(2125)
R308	1-216-683-11	s RESISTOR CHIP 22K 1/10W (2012)
R311	1-216-025-91	s RESISTOR,CHIP 100 1/10W(2125)
R313	1-216-651-11	s RESISTOR,CHIP 1K 1/10W(2012)
R314	1-216-651-11	s RESISTOR,CHIP 1K 1/10W(2012)
R315	1-216-033-00	s RESISTOR,CHIP 220 1/10W(2012)
R316	1-216-049-91	s RESISTOR,CHIP 1K 1/10W(2125)
R317	1-216-635-11	s RESISTOR CHIP 220 1/10W (2012)
R318	1-216-063-91	s RESISTOR,CHIP 3.9K 1/10W(2125)
R319	1-216-037-00	s RESISTOR,CHIP 330 1/10W(2012)
R320	1-216-037-00	s RESISTOR,CHIP 330 1/10W(2012)
R321	1-216-065-91	s RESISTOR,CHIP 4.7K (2012)
R322	1-216-065-91	s RESISTOR,CHIP 4.7K (2012)
R323	1-216-057-00	s RESISTOR CHIP 2.2K 1/10W(2012)
R324	1-216-624-11	s RESISTOR,CHIP 75 1/10W(2012)
R325	1-216-025-91	s RESISTOR,CHIP 100 1/10W(2125)
R326	1-216-033-00	s RESISTOR,CHIP 220 1/10W(2012)
R327	1-216-061-00	s RESISTOR CHIP 3.3K 1/10W(2012)
R328	1-216-638-11	s RESISTOR,CHIP 300 1/10W (2012)
R329	1-216-638-11	s RESISTOR,CHIP 300 1/10W (2012)
R330	1-216-025-91	s RESISTOR,CHIP 100 1/10W(2125)
R331	1-216-065-91	s RESISTOR,CHIP 4.7K (2012)
R332	1-216-041-00	s RESISTOR, CHIP 470 1/10W(2012)
R333	1-216-033-00	s RESISTOR,CHIP 220 1/10W(2012)
R334	1-216-643-11	s RESISTOR CHIP 470 1/10W (2012)
R335	1-216-641-11	s RESISTOR,CHIP 390 1/10W(2012)
R336	1-216-041-00	s RESISTOR, CHIP 470 1/10W(2012)
R337	1-216-025-91	s RESISTOR,CHIP 100 1/10W(2125)
R338	1-216-065-91	s RESISTOR,CHIP 4.7K (2012)
R339	1-216-025-91	s RESISTOR,CHIP 100 1/10W(2125)
R340	1-216-033-00	s RESISTOR,CHIP 220 1/10W(2012)
R341	1-216-644-11	s RESISTOR CHIP 510 1/10W (2012)

Ref. No. or Q'ty	Part No.	SP	Description	Ref. No. or Q'ty	Part No.	SP	Description
R342	1-216-641-11	s	RESISTOR,CHIP 390 1/10W(2012)	R406	1-216-089-91	s	RESISTOR, CHIP 47K
R343	1-216-041-00	s	RESISTOR, CHIP 470 1/10W(2012)	R407	1-216-081-00	s	RESISTOR,CHIP 22K 1/10W(2012)
R344	1-216-025-91	s	RESISTOR,CHIP 100 1/10W(2125)	R408	1-216-081-00	s	RESISTOR,CHIP 22K 1/10W(2012)
R345	1-216-065-91	s	RESISTOR,CHIP 4.7K (2012)	R411	1-216-025-91	s	RESISTOR,CHIP 100 1/10W(2125)
R346	1-216-041-00	s	RESISTOR, CHIP 470 1/10W(2012)	R412	1-216-295-91	s	RESISTOR, CHIP 0 (1/10W)
R347	1-216-033-00	s	RESISTOR,CHIP 220 1/10W(2012)	R413	1-216-049-91	s	RESISTOR,CHIP 1K 1/10W(2125)
R348	1-216-061-00	s	RESISTOR CHIP 3.3K 1/10W(2012)	R414	1-216-081-00	s	RESISTOR,CHIP 22K 1/10W(2012)
R349	1-216-638-11	s	RESISTOR,CHIP 300 1/10W (2012)	R415	1-216-081-00	s	RESISTOR,CHIP 22K 1/10W(2012)
R350	1-216-638-11	s	RESISTOR,CHIP 300 1/10W (2012)	R416	1-216-025-91	s	RESISTOR,CHIP 100 1/10W(2125)
R351	1-216-025-91	s	RESISTOR,CHIP 100 1/10W(2125)	R417	1-216-679-11	s	RESISTOR CHIP 15K 1/10W (2012)
R352	1-216-065-91	s	RESISTOR,CHIP 4.7K (2012)	R418	1-216-687-11	s	RESISTOR CHIP 33K 1/10W (2012)
R353	1-216-025-91	s	RESISTOR,CHIP 100 1/10W(2125)	R419	1-216-073-00	s	RESISTOR,CHIP 10K 1/10W(2012)
R354	1-216-033-00	s	RESISTOR,CHIP 220 1/10W(2012)	R420	1-216-073-00	s	RESISTOR,CHIP 10K 1/10W(2012)
R355	1-216-644-11	s	RESISTOR CHIP 510 1/10W (2012)	R421	1-216-073-00	s	RESISTOR,CHIP 10K 1/10W(2012)
R356	1-216-642-11	s	RESISTOR,CHIP 430 1/10W (2012)	R451	1-216-037-00	s	RESISTOR,CHIP 330 1/10W(2012)
R357	1-216-041-00	s	RESISTOR, CHIP 470 1/10W(2012)	R452	1-216-644-11	s	RESISTOR CHIP 510 1/10W (2012)
R358	1-216-025-91	s	RESISTOR,CHIP 100 1/10W(2125)	R453	1-216-644-11	s	RESISTOR CHIP 510 1/10W (2012)
R359	1-216-065-91	s	RESISTOR,CHIP 4.7K (2012)	R454	1-216-037-00	s	RESISTOR,CHIP 330 1/10W(2012)
R360	1-216-025-91	s	RESISTOR,CHIP 100 1/10W(2125)	R455	1-216-037-00	s	RESISTOR,CHIP 330 1/10W(2012)
R361	1-216-033-00	s	RESISTOR,CHIP 220 1/10W(2012)	R456	1-216-065-91	s	RESISTOR,CHIP 4.7K (2012)
R362	1-216-644-11	s	RESISTOR CHIP 510 1/10W (2012)	R457	1-216-065-91	s	RESISTOR,CHIP 4.7K (2012)
R363	1-216-640-11	s	RESISTOR METAL CHIP 360 1/10W	R469	1-216-065-91	s	RESISTOR,CHIP 4.7K (2012)
R364	1-216-041-00	s	RESISTOR, CHIP 470 1/10W(2012)	R472	1-216-021-00	s	RESISTOR,CHIP 68 1/10W(2012)
R365	1-216-025-91	s	RESISTOR,CHIP 100 1/10W(2125)	R474	1-216-057-00	s	RESISTOR CHIP 2.2K 1/10W(2012)
R366	1-216-065-91	s	RESISTOR,CHIP 4.7K (2012)	R476	1-216-121-91	s	RESISTOR CHIP 1M 1/10W(2125)
R367	1-216-073-00	s	RESISTOR,CHIP 10K 1/10W(2012)	R477	1-216-073-00	s	RESISTOR,CHIP 10K 1/10W(2012)
R369	1-216-049-91	s	RESISTOR,CHIP 1K 1/10W(2125)	R480	1-216-121-91	s	RESISTOR CHIP 1M 1/10W(2125)
R370	1-216-033-00	s	RESISTOR,CHIP 220 1/10W(2012)	R481	1-216-073-00	s	RESISTOR,CHIP 10K 1/10W(2012)
R371	1-216-635-11	s	RESISTOR CHIP 220 1/10W (2012)	R484	1-216-057-00	s	RESISTOR CHIP 2.2K 1/10W(2012)
R372	1-216-033-00	s	RESISTOR,CHIP 220 1/10W(2012)	R487	1-216-021-00	s	RESISTOR,CHIP 68 1/10W(2012)
R373	1-216-033-00	s	RESISTOR,CHIP 220 1/10W(2012)	R488	1-216-089-91	s	RESISTOR, CHIP 47K
R374	1-216-033-00	s	RESISTOR,CHIP 220 1/10W(2012)	R490	1-216-089-91	s	RESISTOR, CHIP 47K
R375	1-216-033-00	s	RESISTOR,CHIP 220 1/10W(2012)	R492	1-216-049-91	s	RESISTOR,CHIP 1K 1/10W(2125)
R376	1-216-033-00	s	RESISTOR,CHIP 220 1/10W(2012)	R493	1-216-097-91	s	RESISTOR,CHIP 100K 1/10W(2012)
R377	1-216-033-00	s	RESISTOR,CHIP 220 1/10W(2012)	R501	1-216-675-11	s	RESISTOR CHIP 10K 1/10W(2012)
R378	1-216-037-00	s	RESISTOR,CHIP 330 1/10W(2012)	R502	1-216-675-11	s	RESISTOR CHIP 10K 1/10W(2012)
R379	1-216-037-00	s	RESISTOR,CHIP 330 1/10W(2012)	R503	1-216-073-00	s	RESISTOR,CHIP 10K 1/10W(2012)
R380	1-216-065-91	s	RESISTOR,CHIP 4.7K (2012)	R505	1-216-675-11	s	RESISTOR CHIP 10K 1/10W(2012)
R381	1-216-065-91	s	RESISTOR,CHIP 4.7K (2012)	R506	1-216-675-11	s	RESISTOR CHIP 10K 1/10W(2012)
R382	1-216-049-91	s	RESISTOR,CHIP 1K 1/10W(2125)	R507	1-216-675-11	s	RESISTOR CHIP 10K 1/10W(2012)
R383	1-216-049-91	s	RESISTOR,CHIP 1K 1/10W(2125)	R508	1-216-675-11	s	RESISTOR CHIP 10K 1/10W(2012)
R384	1-216-009-00	s	RESISTOR,CHIP 22 1/10W(2125)	R510	1-216-073-00	s	RESISTOR,CHIP 10K 1/10W(2012)
R385	1-216-009-00	s	RESISTOR,CHIP 22 1/10W(2125)	R511	1-216-650-11	s	RESISTOR,CHIP 910 1/10W(2012)
R386	1-216-057-00	s	RESISTOR CHIP 2.2K 1/10W(2012)	R512	1-216-651-11	s	RESISTOR,CHIP 1K 1/10W(2012)
R387	1-216-057-00	s	RESISTOR CHIP 2.2K 1/10W(2012)	R513	1-216-049-91	s	RESISTOR,CHIP 1K 1/10W(2125)
R388	1-216-009-00	s	RESISTOR,CHIP 22 1/10W(2125)	R514	1-216-691-11	s	RESISTOR CHIP 47K 1/10W(2012)
R389	1-216-009-00	s	RESISTOR,CHIP 22 1/10W(2125)	R515	1-216-685-11	s	RESISTOR,CHIP 27K 1/10W(2012)
R390	1-216-113-00	s	RESISTOR CHIP 470K 1/10W(2012)	R516	1-216-113-00	s	RESISTOR CHIP 470K 1/10W(2012)
R392	1-216-057-00	s	RESISTOR CHIP 2.2K 1/10W(2012)	R517	1-216-089-91	s	RESISTOR, CHIP 47K
R393	1-216-651-11	s	RESISTOR,CHIP 1K 1/10W(2012)	R518	1-216-073-00	s	RESISTOR,CHIP 10K 1/10W(2012)
R394	1-216-041-00	s	RESISTOR, CHIP 470 1/10W(2012)	R519	1-216-089-91	s	RESISTOR, CHIP 47K
R396	1-216-653-11	s	RESISTOR CHIP 1.2K 1/10W(2012)	R520	1-216-667-11	s	RESISTOR,CHIP 4.7K 1/10W(2012)
R397	1-216-049-91	s	RESISTOR,CHIP 1K 1/10W(2125)	R521	1-216-685-11	s	RESISTOR,CHIP 27K 1/10W(2012)
R398	1-216-025-91	s	RESISTOR,CHIP 100 1/10W(2125)	R522	1-216-670-11	s	RESISTOR,CHIP 6.2K 1/10W(2012)
R401	1-216-065-91	s	RESISTOR,CHIP 4.7K (2012)	R523	1-216-033-00	s	RESISTOR,CHIP 220 1/10W(2012)
R402	1-216-049-91	s	RESISTOR,CHIP 1K 1/10W(2125)	R524	1-216-634-11	s	RESISTOR,CHIP 200 1/10W(2012)
R403	1-216-073-00	s	RESISTOR,CHIP 10K 1/10W(2012)	R525	1-216-665-11	s	RESISTOR,CHIP 3.9K 1/10W(2012)
R404	1-216-049-91	s	RESISTOR,CHIP 1K 1/10W(2125)	R527	1-216-680-11	s	RESISTOR CHIP 16K 1/10W (2012)
R405	1-216-073-00	s	RESISTOR,CHIP 10K 1/10W(2012)	R528	1-216-653-11	s	RESISTOR CHIP 1.2K 1/10W(2012)

Ref. No. or Q'ty	Part No.	SP Description	Ref. No. or Q'ty	Part No.	SP Description
R529	1-216-009-00	s RESISTOR,CHIP 22 1/10W(2125)	R585	1-216-643-11	s RESISTOR CHIP 470 1/10W (2012)
R530	1-216-049-91	s RESISTOR,CHIP 1K 1/10W(2125)	R586	1-216-671-11	s RESISTOR,CHIP 6.8K 1/10W(2012)
R531	1-216-643-11	s RESISTOR CHIP 470 1/10W (2012)	R587	1-216-643-11	s RESISTOR CHIP 470 1/10W (2012)
R532	1-216-073-00	s RESISTOR,CHIP 10K 1/10W(2012)	R588	1-216-646-11	s RESISTOR,CHIP 620 1/10W (2012)
R533	1-216-667-11	s RESISTOR,CHIP 4.7K 1/10W(2012)	R589	1-216-025-91	s RESISTOR,CHIP 100 1/10W(2125)
R534	1-216-639-11	s RESISTOR,CHIP 330 1/10W (2012)	R590	1-216-049-91	s RESISTOR,CHIP 1K 1/10W(2125)
R535	*b 1-216-666-11	s RESISTOR,CHIP 4.3K 1/10W(2012)	R591	1-216-041-00	s RESISTOR, CHIP 470 1/10W(2012)
	*a 1-216-658-11	s RESISTOR,CHIP 2.0K 1/10W(2012)	R592	1-216-049-91	s RESISTOR,CHIP 1K 1/10W(2125)
R536	*b 1-216-666-11	s RESISTOR,CHIP 4.3K 1/10W(2012)	R593	1-216-049-91	s RESISTOR,CHIP 1K 1/10W(2125)
	*a 1-216-658-11	s RESISTOR,CHIP 2.0K 1/10W(2012)	R594	1-216-025-91	s RESISTOR,CHIP 100 1/10W(2125)
R537	1-216-049-91	s RESISTOR,CHIP 1K 1/10W(2125)	R595	1-216-049-91	s RESISTOR,CHIP 1K 1/10W(2125)
R538	1-216-683-11	s RESISTOR CHIP 22K 1/10W (2012)	R596	1-216-620-11	s RESISTOR CHIP 51 1/10W (2012)
R539	1-216-682-11	s RESISTOR,CHIP 20K 1/10W (2012)	R597	1-216-033-00	s RESISTOR,CHIP 220 1/10W(2012)
R540	1-216-041-00	s RESISTOR, CHIP 470 1/10W(2012)	R598	1-216-025-91	s RESISTOR,CHIP 100 1/10W(2125)
R541	1-216-639-11	s RESISTOR,CHIP 330 1/10W (2012)	R600	1-216-113-00	s RESISTOR CHIP 470K 1/10W(2012)
R542	*b 1-216-666-11	s RESISTOR,CHIP 4.3K 1/10W(2012)	R601	1-216-680-11	s RESISTOR CHIP 16K 1/10W (2012)
	*a 1-216-658-11	s RESISTOR,CHIP 2.0K 1/10W(2012)	R602	1-216-680-11	s RESISTOR CHIP 16K 1/10W (2012)
R543	*b 1-216-666-11	s RESISTOR,CHIP 4.3K 1/10W(2012)	R603	1-216-025-91	s RESISTOR,CHIP 100 1/10W(2125)
	*a 1-216-658-11	s RESISTOR,CHIP 2.0K 1/10W(2012)	R605	1-216-097-91	s RESISTOR,CHIP 100K 1/10W(2012)
R544	1-216-049-91	s RESISTOR,CHIP 1K 1/10W(2125)	R606	1-216-073-00	s RESISTOR,CHIP 10K 1/10W(2012)
R545	1-216-049-91	s RESISTOR,CHIP 1K 1/10W(2125)	R607	1-216-073-00	s RESISTOR,CHIP 10K 1/10W(2012)
R546	1-216-065-91	s RESISTOR,CHIP 4.7K (2012)	R608	1-216-675-11	s RESISTOR CHIP 10K 1/10W(2012)
R547	1-216-049-91	s RESISTOR,CHIP 1K 1/10W(2125)	R609	1-216-025-91	s RESISTOR,CHIP 100 1/10W(2125)
R548	1-216-079-00	s RESISTOR CHIP 18K 1/10W(2012)	R610	1-216-656-11	s RESISTOR,CHIP 1.6K 1/10W(2012)
R549	1-216-666-11	s RESISTOR,CHIP 4.3K 1/10W(2012)	R611	1-216-651-11	s RESISTOR,CHIP 1K 1/10W(2012)
R550	1-216-065-91	s RESISTOR,CHIP 4.7K (2012)	R612	1-216-025-91	s RESISTOR,CHIP 100 1/10W(2125)
R551	1-216-073-00	s RESISTOR,CHIP 10K 1/10W(2012)	R613	1-216-675-11	s RESISTOR CHIP 10K 1/10W(2012)
R552	1-216-089-91	s RESISTOR, CHIP 47K	R614	1-216-073-00	s RESISTOR,CHIP 10K 1/10W(2012)
R553	1-216-073-00	s RESISTOR,CHIP 10K 1/10W(2012)	R615	1-216-073-00	s RESISTOR,CHIP 10K 1/10W(2012)
R554	1-216-025-91	s RESISTOR,CHIP 100 1/10W(2125)	R618	1-216-065-91	s RESISTOR,CHIP 4.7K (2012)
R555	1-216-620-11	s RESISTOR CHIP 51 1/10W (2012)	R619	1-216-039-00	s RESISTOR, CHIP 390 1/10W(2012)
R556	1-216-009-00	s RESISTOR,CHIP 22 1/10W(2125)	R620	1-216-065-91	s RESISTOR,CHIP 4.7K (2012)
R557	1-216-638-11	s RESISTOR,CHIP 300 1/10W (2012)	R621	1-216-073-00	s RESISTOR,CHIP 10K 1/10W(2012)
R558	1-216-049-91	s RESISTOR,CHIP 1K 1/10W(2125)	R623	1-216-025-91	s RESISTOR,CHIP 100 1/10W(2125)
R559	1-216-643-11	s RESISTOR CHIP 470 1/10W (2012)	R624	1-216-049-91	s RESISTOR,CHIP 1K 1/10W(2125)
R560	1-216-049-91	s RESISTOR,CHIP 1K 1/10W(2125)	R625	1-216-041-00	s RESISTOR, CHIP 470 1/10W(2012)
R561	1-216-638-11	s RESISTOR,CHIP 300 1/10W (2012)	R626	1-216-295-91	s RESISTOR, CHIP 0 (1/10W)
R562	1-216-057-00	s RESISTOR CHIP 2.2K 1/10W(2012)	R627	1-216-073-00	s RESISTOR,CHIP 10K 1/10W(2012)
R563	1-216-643-11	s RESISTOR CHIP 470 1/10W (2012)	R628	1-216-041-00	s RESISTOR, CHIP 470 1/10W(2012)
R564	1-216-057-00	s RESISTOR CHIP 2.2K 1/10W(2012)	R630	1-216-049-91	s RESISTOR,CHIP 1K 1/10W(2125)
R565	1-216-049-91	s RESISTOR,CHIP 1K 1/10W(2125)	R633	1-216-049-91	s RESISTOR,CHIP 1K 1/10W(2125)
R566	1-216-049-91	s RESISTOR,CHIP 1K 1/10W(2125)	R634	1-216-049-91	s RESISTOR,CHIP 1K 1/10W(2125)
R567	1-216-041-00	s RESISTOR, CHIP 470 1/10W(2012)	R635	1-216-643-11	s RESISTOR CHIP 470 1/10W (2012)
R569	1-216-025-91	s RESISTOR,CHIP 100 1/10W(2125)	R636	1-216-049-91	s RESISTOR,CHIP 1K 1/10W(2125)
R570	1-216-049-91	s RESISTOR,CHIP 1K 1/10W(2125)	R640	1-216-049-91	s RESISTOR,CHIP 1K 1/10W(2125)
R571	1-216-651-11	s RESISTOR,CHIP 1K 1/10W(2012)	R641	1-216-009-00	s RESISTOR,CHIP 22 1/10W(2125)
R572	1-216-651-11	s RESISTOR,CHIP 1K 1/10W(2012)	R700	1-216-025-91	s RESISTOR,CHIP 100 1/10W(2125)
R573	1-216-049-91	s RESISTOR,CHIP 1K 1/10W(2125)	R701	1-216-691-11	s RESISTOR CHIP 47K 1/10W(2012)
R574	1-216-649-11	s RESISTOR,CHIP 820 1/10W (2012)	R702	1-216-685-11	s RESISTOR,CHIP 27K 1/10W(2012)
R575	1-216-649-11	s RESISTOR,CHIP 820 1/10W (2012)	R703	1-216-089-91	s RESISTOR, CHIP 47K
R576	1-216-049-91	s RESISTOR,CHIP 1K 1/10W(2125)	R704	1-216-049-91	s RESISTOR,CHIP 1K 1/10W(2125)
R577	1-216-643-11	s RESISTOR CHIP 470 1/10W (2012)	R705	1-216-113-00	s RESISTOR CHIP 470K 1/10W(2012)
R578	1-216-643-11	s RESISTOR CHIP 470 1/10W (2012)	R706	1-216-089-91	s RESISTOR, CHIP 47K
R579	1-216-649-11	s RESISTOR,CHIP 820 1/10W (2012)	R707	1-216-670-11	s RESISTOR,CHIP 6.2K 1/10W(2012)
R580	1-216-025-91	s RESISTOR,CHIP 100 1/10W(2125)	R708	1-216-685-11	s RESISTOR,CHIP 27K 1/10W(2012)
R581	1-216-049-91	s RESISTOR,CHIP 1K 1/10W(2125)	R709	1-216-670-11	s RESISTOR,CHIP 6.2K 1/10W(2012)
R582	1-216-049-91	s RESISTOR,CHIP 1K 1/10W(2125)	R710	1-216-033-00	s RESISTOR,CHIP 220 1/10W(2012)
R583	1-216-049-91	s RESISTOR,CHIP 1K 1/10W(2125)	R711	1-216-640-11	s RESISTOR METAL CHIP 360 1/10W
R584	1-216-049-91	s RESISTOR,CHIP 1K 1/10W(2125)	R712	1-216-665-11	s RESISTOR,CHIP 3.9K 1/10W(2012)

(DM-89 BOARD for DVW-A500P/A510P/CA510P, suffix 17 or higher) (DM-89 BOARD for DVW-A500P/A510P/CA510P, suffix 17 or higher)

Ref. No. or Q'ty	Part No.	SP	Description	Ref. No. or Q'ty	Part No.	SP	Description
R714	1-216-677-11	s	RESISTOR,CHIP 12K 1/10W(2012)	R774	1-216-643-11	s	RESISTOR CHIP 470 1/10W (2012)
R715	1-216-652-11	s	RESISTOR,CHIP 1.1K 1/10W(2012)	R775	1-216-649-11	s	RESISTOR,CHIP 820 1/10W (2012)
R716	1-216-073-00	s	RESISTOR,CHIP 10K 1/10W(2012)	R777	1-216-049-91	s	RESISTOR,CHIP 1K 1/10W(2125)
R717	1-216-009-00	s	RESISTOR,CHIP 22 1/10W(2125)	R778	1-216-049-91	s	RESISTOR,CHIP 1K 1/10W(2125)
R718	1-216-049-91	s	RESISTOR,CHIP 1K 1/10W(2125)	R779	1-216-049-91	s	RESISTOR,CHIP 1K 1/10W(2125)
R719	1-216-041-00	s	RESISTOR, CHIP 470 1/10W(2012)	R780	1-216-049-91	s	RESISTOR,CHIP 1K 1/10W(2125)
R720	1-216-639-11	s	RESISTOR,CHIP 330 1/10W (2012)	R781	1-216-643-11	s	RESISTOR CHIP 470 1/10W (2012)
R721	1-216-656-11	s	RESISTOR,CHIP 1.6K 1/10W(2012)	R782	1-216-671-11	s	RESISTOR,CHIP 6.8K 1/10W(2012)
R722	1-216-661-11	s	RESISTOR,CHIP 2.7K 1/10W(2012)	R783	1-216-643-11	s	RESISTOR CHIP 470 1/10W (2012)
R723	1-216-049-91	s	RESISTOR,CHIP 1K 1/10W(2125)	R784	1-216-646-11	s	RESISTOR,CHIP 620 1/10W (2012)
R724	1-216-041-00	s	RESISTOR, CHIP 470 1/10W(2012)	R785	1-216-025-91	s	RESISTOR,CHIP 100 1/10W(2125)
R725	1-216-639-11	s	RESISTOR,CHIP 330 1/10W (2012)	R786	1-216-049-91	s	RESISTOR,CHIP 1K 1/10W(2125)
R726	1-216-655-11	s	RESISTOR,CHIP 1.5K 1/10W(2012)	R787	1-216-025-91	s	RESISTOR,CHIP 100 1/10W(2125)
R727	1-216-660-11	s	RESISTOR,CHIP 2.4K 1/10W(2012)	R789	1-216-049-91	s	RESISTOR,CHIP 1K 1/10W(2125)
R728	1-216-049-91	s	RESISTOR,CHIP 1K 1/10W(2125)	R790	1-216-049-91	s	RESISTOR,CHIP 1K 1/10W(2125)
R729	1-216-025-91	s	RESISTOR,CHIP 100 1/10W(2125)	R791	1-216-041-00	s	RESISTOR, CHIP 470 1/10W(2012)
R730	1-216-049-91	s	RESISTOR,CHIP 1K 1/10W(2125)	R792	1-216-620-11	s	RESISTOR CHIP 51 1/10W (2012)
R732	1-216-049-91	s	RESISTOR,CHIP 1K 1/10W(2125)	R793	1-216-033-00	s	RESISTOR,CHIP 220 1/10W(2012)
R733	1-216-657-11	s	RESISTOR,CHIP 1.8K 1/10W(2012)	R794	1-216-049-91	s	RESISTOR,CHIP 1K 1/10W(2125)
R734	1-216-657-11	s	RESISTOR,CHIP 1.8K 1/10W(2012)	R795	1-216-025-91	s	RESISTOR,CHIP 100 1/10W(2125)
R735	1-216-631-11	s	RESISTOR,CHIP 150 1/10W (2012)	R796	1-216-025-91	s	RESISTOR,CHIP 100 1/10W(2125)
R736	1-216-643-11	s	RESISTOR CHIP 470 1/10W (2012)	R797	1-216-097-91	s	RESISTOR,CHIP 100K 1/10W(2012)
R737	1-216-631-11	s	RESISTOR,CHIP 150 1/10W (2012)	R798	1-216-073-00	s	RESISTOR,CHIP 10K 1/10W(2012)
R738	1-216-061-00	s	RESISTOR CHIP 3.3K 1/10W(2012)	R799	1-216-073-00	s	RESISTOR,CHIP 10K 1/10W(2012)
R739	1-216-073-00	s	RESISTOR,CHIP 10K 1/10W(2012)	R800	1-216-675-11	s	RESISTOR CHIP 10K 1/10W(2012)
R740	1-216-073-00	s	RESISTOR,CHIP 10K 1/10W(2012)	R801	1-216-025-91	s	RESISTOR,CHIP 100 1/10W(2125)
R741	1-216-049-91	s	RESISTOR,CHIP 1K 1/10W(2125)	R802	1-216-656-11	s	RESISTOR,CHIP 1.6K 1/10W(2012)
R742	1-216-065-91	s	RESISTOR,CHIP 4.7K (2012)	R803	1-216-651-11	s	RESISTOR,CHIP 1K 1/10W(2012)
R743	1-216-049-91	s	RESISTOR,CHIP 1K 1/10W(2125)	R804	1-216-025-91	s	RESISTOR,CHIP 100 1/10W(2125)
R744	1-216-065-91	s	RESISTOR,CHIP 4.7K (2012)	R805	1-216-675-11	s	RESISTOR CHIP 10K 1/10W(2012)
R745	1-216-073-00	s	RESISTOR,CHIP 10K 1/10W(2012)	R806	1-216-073-00	s	RESISTOR,CHIP 10K 1/10W(2012)
R746	1-216-089-91	s	RESISTOR, CHIP 47K	R807	1-216-073-00	s	RESISTOR,CHIP 10K 1/10W(2012)
R747	1-216-073-00	s	RESISTOR,CHIP 10K 1/10W(2012)	R808	1-216-295-91	s	RESISTOR, CHIP 0 (1/10W)
R748	1-216-073-00	s	RESISTOR,CHIP 10K 1/10W(2012)	R900	1-216-097-91	s	RESISTOR,CHIP 100K 1/10W(2012)
R749	1-216-620-11	s	RESISTOR CHIP 51 1/10W (2012)	R901	1-216-675-11	s	RESISTOR CHIP 10K 1/10W(2012)
R750	1-216-079-00	s	RESISTOR CHIP 18K 1/10W(2012)	R902	1-216-675-11	s	RESISTOR CHIP 10K 1/10W(2012)
R751	1-216-666-11	s	RESISTOR,CHIP 4.3K 1/10W(2012)	R903	1-216-295-91	s	RESISTOR, CHIP 0 (1/10W)
R752	1-216-009-00	s	RESISTOR,CHIP 22 1/10W(2125)	R904	1-216-295-91	s	RESISTOR, CHIP 0 (1/10W)
R753	1-216-643-11	s	RESISTOR CHIP 470 1/10W (2012)	R905	1-216-073-00	s	RESISTOR,CHIP 10K 1/10W(2012)
R754	1-216-049-91	s	RESISTOR,CHIP 1K 1/10W(2125)	R906	1-216-073-00	s	RESISTOR,CHIP 10K 1/10W(2012)
R755	1-216-049-91	s	RESISTOR,CHIP 1K 1/10W(2125)	R907	1-216-097-91	s	RESISTOR,CHIP 100K 1/10W(2012)
R756	1-216-639-11	s	RESISTOR,CHIP 330 1/10W (2012)	R908	1-216-097-91	s	RESISTOR,CHIP 100K 1/10W(2012)
R757	1-216-643-11	s	RESISTOR CHIP 470 1/10W (2012)	R909	1-216-097-91	s	RESISTOR,CHIP 100K 1/10W(2012)
R758	1-216-057-00	s	RESISTOR CHIP 2.2K 1/10W(2012)	R910	1-216-097-91	s	RESISTOR,CHIP 100K 1/10W(2012)
R759	1-216-639-11	s	RESISTOR,CHIP 330 1/10W (2012)	R911	1-216-097-91	s	RESISTOR,CHIP 100K 1/10W(2012)
R760	1-216-057-00	s	RESISTOR CHIP 2.2K 1/10W(2012)	R913	1-216-097-91	s	RESISTOR,CHIP 100K 1/10W(2012)
R761	1-216-049-91	s	RESISTOR,CHIP 1K 1/10W(2125)	R914	1-216-073-00	s	RESISTOR,CHIP 10K 1/10W(2012)
R762	1-216-049-91	s	RESISTOR,CHIP 1K 1/10W(2125)	R915	1-216-097-91	s	RESISTOR,CHIP 100K 1/10W(2012)
R763	1-216-025-91	s	RESISTOR,CHIP 100 1/10W(2125)	R916	1-216-073-00	s	RESISTOR,CHIP 10K 1/10W(2012)
R764	1-216-097-91	s	RESISTOR,CHIP 100K 1/10W(2012)	R917	1-216-097-91	s	RESISTOR,CHIP 100K 1/10W(2012)
R765	1-216-025-91	s	RESISTOR,CHIP 100 1/10W(2125)	R918	1-216-025-91	s	RESISTOR,CHIP 100 1/10W(2125)
R766	1-216-049-91	s	RESISTOR,CHIP 1K 1/10W(2125)	R920	1-216-097-91	s	RESISTOR,CHIP 100K 1/10W(2012)
R767	1-216-651-11	s	RESISTOR,CHIP 1K 1/10W(2012)	R921	1-216-097-91	s	RESISTOR,CHIP 100K 1/10W(2012)
R768	1-216-651-11	s	RESISTOR,CHIP 1K 1/10W(2012)	R922	1-216-121-91	s	RESISTOR CHIP 1M 1/10W(2125)
R769	1-216-049-91	s	RESISTOR,CHIP 1K 1/10W(2125)	R923	1-216-097-91	s	RESISTOR,CHIP 100K 1/10W(2012)
R770	1-216-649-11	s	RESISTOR,CHIP 820 1/10W (2012)	R924	1-216-097-91	s	RESISTOR,CHIP 100K 1/10W(2012)
R771	1-216-649-11	s	RESISTOR,CHIP 820 1/10W (2012)	R925	1-216-097-91	s	RESISTOR,CHIP 100K 1/10W(2012)
R772	1-216-049-91	s	RESISTOR,CHIP 1K 1/10W(2125)	R926	1-216-089-91	s	RESISTOR, CHIP 47K
R773	1-216-643-11	s	RESISTOR CHIP 470 1/10W (2012)	R927	1-216-097-91	s	RESISTOR,CHIP 100K 1/10W(2012)

(DM-89 BOARD for DVW-A500P/A510P/CA510P, suffix 17 or higher)

(DM-89 BOARD for DVW-A500P/A510P/CA510P, suffix 17 or higher)

Ref. No. or Q'ty	Part No.	SP Description
R929	1-216-097-91	s RESISTOR,CHIP 100K 1/10W(2012)
R930	1-216-025-91	s RESISTOR,CHIP 100 1/10W(2125)
R931	1-216-079-00	s RESISTOR CHIP 18K 1/10W(2012)
R932	1-216-677-11	s RESISTOR,CHIP 12K 1/10W(2012)
R933	1-216-097-91	s RESISTOR,CHIP 100K 1/10W(2012)
R934	1-216-097-91	s RESISTOR,CHIP 100K 1/10W(2012)
R935	1-216-097-91	s RESISTOR,CHIP 100K 1/10W(2012)
R936	1-216-097-91	s RESISTOR,CHIP 100K 1/10W(2012)
R937	1-216-097-91	s RESISTOR,CHIP 100K 1/10W(2012)
R938	1-216-097-91	s RESISTOR,CHIP 100K 1/10W(2012)
R939	1-216-089-91	s RESISTOR, CHIP 47K
R940	1-216-097-91	s RESISTOR,CHIP 100K 1/10W(2012)
R941	1-216-089-91	s RESISTOR, CHIP 47K
R942	1-216-025-91	s RESISTOR,CHIP 100 1/10W(2125)
R943	1-216-073-00	s RESISTOR,CHIP 10K 1/10W(2012)
R944	1-216-073-00	s RESISTOR,CHIP 10K 1/10W(2012)
R945	1-216-073-00	s RESISTOR,CHIP 10K 1/10W(2012)
R946	1-216-073-00	s RESISTOR,CHIP 10K 1/10W(2012)
R947	1-216-073-00	s RESISTOR,CHIP 10K 1/10W(2012)
R948	1-216-073-00	s RESISTOR,CHIP 10K 1/10W(2012)
R949	1-216-073-00	s RESISTOR,CHIP 10K 1/10W(2012)
R950	1-216-097-91	s RESISTOR,CHIP 100K 1/10W(2012)
R951	1-216-073-00	s RESISTOR,CHIP 10K 1/10W(2012)
R952	1-216-049-91	s RESISTOR,CHIP 1K 1/10W(2125)
R953	1-216-025-91	s RESISTOR,CHIP 100 1/10W(2125)
R954	1-216-049-91	s RESISTOR,CHIP 1K 1/10W(2125)
R955	1-216-049-91	s RESISTOR,CHIP 1K 1/10W(2125)
R956	1-216-025-91	s RESISTOR,CHIP 100 1/10W(2125)
R957	1-216-049-91	s RESISTOR,CHIP 1K 1/10W(2125)
R958	1-216-041-00	s RESISTOR, CHIP 470 1/10W(2012)
R959	1-216-097-91	s RESISTOR,CHIP 100K 1/10W(2012)
R960	1-216-097-91	s RESISTOR,CHIP 100K 1/10W(2012)
R961	1-216-097-91	s RESISTOR,CHIP 100K 1/10W(2012)
R962	1-216-097-91	s RESISTOR,CHIP 100K 1/10W(2012)
R963	1-216-097-91	s RESISTOR,CHIP 100K 1/10W(2012)
R964	1-216-097-91	s RESISTOR,CHIP 100K 1/10W(2012)
R965	1-216-295-91	s RESISTOR, CHIP 0 (1/10W)
R966	1-216-295-91	s RESISTOR, CHIP 0 (1/10W)
R967	1-216-295-91	s RESISTOR, CHIP 0 (1/10W)
R968	1-216-295-91	s RESISTOR, CHIP 0 (1/10W)
R971	1-216-025-91	s RESISTOR,CHIP 100 1/10W(2125)
R972	1-216-643-11	s RESISTOR CHIP 470 1/10W (2012)
R973	1-216-097-91	s RESISTOR,CHIP 100K 1/10W(2012)
R974	1-216-641-11	s RESISTOR,CHIP 390 1/10W(2012)
R976	1-216-025-91	s RESISTOR,CHIP 100 1/10W(2125)
R977	1-216-025-91	s RESISTOR,CHIP 100 1/10W(2125)
R1201	1-216-073-00	s RESISTOR,CHIP 10K 1/10W(2012)
R1202	1-216-043-91	s RESISTOR, CHIP 560 1/10W(2125)
R1203	1-216-049-91	s RESISTOR,CHIP 1K 1/10W(2125)
R1204	1-216-049-91	s RESISTOR,CHIP 1K 1/10W(2125)
RV101	1-237-033-11	s RESISTOR,ADJ,CERMET 1K
RV102	1-237-033-11	s RESISTOR,ADJ,CERMET 1K
RV104	1-237-033-11	s RESISTOR,ADJ,CERMET 1K
RV105	1-237-037-11	s RESISTOR,ADJ,CERMET 20K
RV106	1-237-037-11	s RESISTOR,ADJ,CERMET 20K
RV107	1-237-037-11	s RESISTOR,ADJ,CERMET 20K
RV108	1-237-037-11	s RESISTOR,ADJ,CERMET 20K
RV201	1-237-031-11	s RESISTOR,ADJ,CERMET 200
RV202	1-237-031-11	s RESISTOR,ADJ,CERMET 200

Ref. No. or Q'ty	Part No.	SP Description
RV205	1-237-037-11	s RESISTOR,ADJ,CERMET 20K
RV211	1-237-034-11	s RESISTOR,ADJ,CERMET 2K
RV212	1-237-034-11	s RESISTOR,ADJ,CERMET 2K
RV301	1-237-033-11	s RESISTOR,ADJ,CERMET 1K
RV302	1-237-033-11	s RESISTOR,ADJ,CERMET 1K
RV303	1-237-033-11	s RESISTOR,ADJ,CERMET 1K
RV304	1-237-033-11	s RESISTOR,ADJ,CERMET 1K
RV305	1-237-037-11	s RESISTOR,ADJ,CERMET 20K
RV306	1-237-037-11	s RESISTOR,ADJ,CERMET 20K
RV307	1-237-037-11	s RESISTOR,ADJ,CERMET 20K
RV308	1-237-037-11	s RESISTOR,ADJ,CERMET 20K
RV401	1-237-031-11	s RESISTOR,ADJ,CERMET 200
RV402	1-237-031-11	s RESISTOR,ADJ,CERMET 200
RV405	1-237-037-11	s RESISTOR,ADJ,CERMET 20K
RV406	1-237-034-11	s RESISTOR,ADJ,CERMET 2K
RV407	1-237-034-11	s RESISTOR,ADJ,CERMET 2K
RV501	1-237-036-11	s RESISTOR, ADJ,CERMET 10K
RV502	1-237-036-11	s RESISTOR, ADJ,CERMET 10K
RV503	1-241-761-11	s RESISTOR ADJ 1K (CERMET)
RV504	1-241-761-11	s RESISTOR ADJ 1K (CERMET)
RV506	1-237-034-11	s RESISTOR,ADJ,CERMET 2K
RV507	1-237-036-11	s RESISTOR, ADJ,CERMET 10K
RV701	1-237-036-11	s RESISTOR, ADJ,CERMET 10K
RV702	1-237-036-11	s RESISTOR, ADJ,CERMET 10K
RV703	1-241-761-11	s RESISTOR ADJ 1K (CERMET)
RV704	1-241-761-11	s RESISTOR ADJ 1K (CERMET)
S101	1-571-275-31	s SWITCH,SLIDE (1-1-2)
S102	1-571-275-31	s SWITCH,SLIDE (1-1-2)
S301	1-571-275-31	s SWITCH,SLIDE (1-1-2)
S302	1-571-275-31	s SWITCH,SLIDE (1-1-2)
S501	1-571-275-31	s SWITCH,SLIDE (1-1-2)
S901	1-692-535-11	s SWITCH DIP (4P)
TP1	1-535-881-21	o TERMINAL, TP (AUTO INSERTION)
TP2	1-535-881-21	o TERMINAL, TP (AUTO INSERTION)
TP3	1-535-881-21	o TERMINAL, TP (AUTO INSERTION)
TP4	1-535-881-21	o TERMINAL, TP (AUTO INSERTION)
TP5	1-535-881-21	o TERMINAL, TP (AUTO INSERTION)
TP6	1-535-881-21	o TERMINAL, TP (AUTO INSERTION)
TP7	1-535-881-21	o TERMINAL, TP (AUTO INSERTION)
TP8	1-535-881-21	o TERMINAL, TP (AUTO INSERTION)
TP100	1-535-881-21	o TERMINAL, TP (AUTO INSERTION)
TP102	1-535-881-21	o TERMINAL, TP (AUTO INSERTION)
TP103	1-535-881-21	o TERMINAL, TP (AUTO INSERTION)
TP104	1-535-881-21	o TERMINAL, TP (AUTO INSERTION)
TP105	1-535-881-21	o TERMINAL, TP (AUTO INSERTION)
TP106	1-535-881-21	o TERMINAL, TP (AUTO INSERTION)
TP202	1-535-881-21	o TERMINAL, TP (AUTO INSERTION)
TP203	1-535-881-21	o TERMINAL, TP (AUTO INSERTION)
TP204	1-535-881-21	o TERMINAL, TP (AUTO INSERTION)
TP300	1-535-881-21	o TERMINAL, TP (AUTO INSERTION)
TP302	1-535-881-21	o TERMINAL, TP (AUTO INSERTION)
TP303	1-535-881-21	o TERMINAL, TP (AUTO INSERTION)
TP304	1-535-881-21	o TERMINAL, TP (AUTO INSERTION)
TP305	1-535-881-21	o TERMINAL, TP (AUTO INSERTION)
TP306	1-535-881-21	o TERMINAL, TP (AUTO INSERTION)
TP403	1-535-881-21	o TERMINAL, TP (AUTO INSERTION)
TP404	1-535-881-21	o TERMINAL, TP (AUTO INSERTION)



(DM-89 BOARD for DVW-A500P/A510P/CA510P, suffix 17 or higher)

DM-89 BOARD for DVW-A500P/A510P/CA510P, suffix 11 through 16

Ref. No. or Q'ty	Part No.	SP	Description
TP500	1-535-881-21	o	TERMINAL, TP (AUTO INSERTION)
TP501	1-535-881-21	o	TERMINAL, TP (AUTO INSERTION)
TP502	1-535-881-21	o	TERMINAL, TP (AUTO INSERTION)
TP503	1-535-881-21	o	TERMINAL, TP (AUTO INSERTION)
TP504	1-535-881-21	o	TERMINAL, TP (AUTO INSERTION)
TP505	1-535-881-21	o	TERMINAL, TP (AUTO INSERTION)
TP506	1-535-881-21	o	TERMINAL, TP (AUTO INSERTION)
TP700	1-535-881-21	o	TERMINAL, TP (AUTO INSERTION)
TP701	1-535-881-21	o	TERMINAL, TP (AUTO INSERTION)
TP702	1-535-881-21	o	TERMINAL, TP (AUTO INSERTION)
TP703	1-535-881-21	o	TERMINAL, TP (AUTO INSERTION)
TP704	1-535-881-21	o	TERMINAL, TP (AUTO INSERTION)
TP705	1-535-881-21	o	TERMINAL, TP (AUTO INSERTION)
X401	1-579-990-11	s	VIBRATOR, CERAMIC
X404	1-579-988-11	s	VIBRATOR, CERAMIC
X901	1-579-599-11	s	VIBRATOR, CERAMIC (8.83MHZ)

Ref. No. or Q'ty	Part No.	SP	Description
1pc	A-8275-088-B	o	MOUNTED CIRCUIT BOARD, DM-89P
1pc	3-171-455-01	o	PLATE (S), SHIELD, CARD
1pc	3-696-787-03	o	SHEET (S), CARD
1pc	7-682-902-11	s	SCREW +PWH 2.6x5
1pc	3-179-084-01	s	LEVER (R), PC BOARD
1pc	3-179-085-01	s	LEVER (L), PC BOARD
C101	1-163-133-00	s	CERAMIC, CHIP 470pF 5% 50V (2125)
C102	*4 1-163-133-00	s	CERAMIC, CHIP 470pF 5% 50V (2125)
C103	*7 1-163-037-11	s	CERAMIC, CHIP 0.022uF 10% 25V (2125)
C104	1-163-037-11	s	CERAMIC, CHIP 0.022uF 10% 25V (2125)
C105	*h 1-163-009-11	s	CERAMIC, CHIP 1000pF 10% 50V (2125)
	*3 1-163-133-00	s	CERAMIC, CHIP 470pF 5% 50V (2125)
C106-108	1-163-037-11	s	CERAMIC, CHIP 0.022uF 10% 25V (2125)
C109	1-163-133-00	s	CERAMIC, CHIP 470pF 5% 50V (2125)
C110	1-163-037-11	s	CERAMIC, CHIP 0.022uF 10% 25V (2125)
C111	1-163-037-11	s	CERAMIC, CHIP 0.022uF 10% 25V (2125)
C112	1-163-106-00	s	CERAMIC, CHIP 36pF 5% 50V (2125)
C113	1-163-113-00	s	CERAMIC, CHIP 68pF 5% 50V (2125)
C114	1-163-106-00	s	CERAMIC, CHIP 36pF 5% 50V (2125)
C115	1-163-037-11	s	CERAMIC, CHIP 0.022uF 10% 25V (2125)
C116	1-163-037-11	s	CERAMIC, CHIP 0.022uF 10% 25V (2125)
C117	1-163-110-00	s	CERAMIC, CHIP 51pF 5% 50V (2125)
C118	1-163-037-11	s	CERAMIC, CHIP 0.022uF 10% 25V (2125)
C119	1-163-037-11	s	CERAMIC, CHIP 0.022uF 10% 25V (2125)
C120	1-163-104-00	s	CERAMIC, CHIP 30pF 5% 50V (2125)
C121-123	1-163-037-11	s	CERAMIC, CHIP 0.022uF 10% 25V (2125)
C124	1-163-237-11	s	CERAMIC, CHIP 27pF 5% 50V (2125)
C125	1-163-249-11	s	CERAMIC, CHIP 82pF 5% 50V (2125)
C126	1-163-237-11	s	CERAMIC, CHIP 27pF 5% 50V (2125)
C127	1-163-037-11	s	CERAMIC, CHIP 0.022uF 10% 25V (2125)
C128	1-163-037-11	s	CERAMIC, CHIP 0.022uF 10% 25V (2125)
C129	*j 1-163-253-11	s	CERAMIC, CHIP 120pF 5% 50V (2125)
C130	1-163-037-11	s	CERAMIC, CHIP 0.022uF 10% 25V (2125)
C131	1-163-037-11	s	CERAMIC, CHIP 0.022uF 10% 25V (2125)
C132	*j 1-163-108-00	s	CERAMIC, CHIP 43pF 5% 50V (2125)
	*5 1-163-239-11	s	CERAMIC, CHIP 33pF 5% 50V (2125)
C133-135	1-163-037-11	s	CERAMIC, CHIP 0.022uF 10% 25V (2125)
C136	1-163-235-11	s	CERAMIC, CHIP 22pF 5% 50V (2125)
C137	1-163-037-11	s	CERAMIC, CHIP 0.022uF 10% 25V (2125)
C138	1-163-037-11	s	CERAMIC, CHIP 0.022uF 10% 25V (2125)
C139	*x 1-163-224-11	s	CERAMIC, CHIP 7pF 50V (2125)
C140	1-163-037-11	s	CERAMIC, CHIP 0.022uF 10% 25V (2125)
C141	1-163-120-00	s	CERAMIC, CHIP 130pF 5% 50V (2125)
C142	1-163-110-00	s	CERAMIC, CHIP 51pF 5% 50V (2125)
C143	1-163-251-11	s	CERAMIC, CHIP 100pF 5% 50V (2125)
C144	1-163-245-11	s	CERAMIC, CHIP 56pF 5% 50V (2125)
C145-149	1-163-037-11	s	CERAMIC, CHIP 0.022uF 10% 25V (2125)
C150	1-163-243-11	s	CERAMIC, CHIP 47pF 5% 50V (2125)
C151	1-163-097-00	s	CERAMIC, CHIP 15pF 5% 50V (2125)
C152-154	1-163-037-11	s	CERAMIC, CHIP 0.022uF 10% 25V (2125)
C157	1-163-037-11	s	CERAMIC, CHIP 0.022uF 10% 25V (2125)
C158	1-163-037-11	s	CERAMIC, CHIP 0.022uF 10% 25V (2125)
C159	1-163-133-00	s	CERAMIC, CHIP 470pF 5% 50V (2125)
C160	1-163-133-00	s	CERAMIC, CHIP 470pF 5% 50V (2125)
C161-166	1-163-037-11	s	CERAMIC, CHIP 0.022uF 10% 25V (2125)
C167	1-163-222-11	s	CERAMIC, CHIP 5pF 50V (2125)

\*3: LOT No. 302 through 402  
 \*4: LOT No. 302 through 406  
 \*5: LOT No. 302 through 408  
 \*7: LOT No. 302 through 502  
 \*h: LOT No. 403 or higher  
 \*j: LOT No. 409 or higher  
 \*x: DRUM SEAL 210000 or lower

Ref. No. or Q'ty	Part No.	SP Description
C168	1-163-222-11	s CERAMIC, CHIP 5pF 50V (2125)
C169	*m 1-128-526-11	s CAP, ELECT 100uF 20% 25V
	*10 1-126-933-11	s ELECT 100uF 20% 16V
C170	1-164-004-11	s CERAMIC, CHIP 0.1uF 10% 25V
C171	1-163-037-11	s CERAMIC, CHIP 0.022uF 10% 25V
C172	1-164-004-11	s CERAMIC, CHIP 0.1uF 10% 25V
C173	1-164-004-11	s CERAMIC, CHIP 0.1uF 10% 25V
C174	1-163-037-11	s CERAMIC, CHIP 0.022uF 10% 25V
C175	1-163-237-11	s CERAMIC, CHIP 27pF 5% 50V (2125)
C176	1-163-127-00	s CERAMIC, CHIP 270pF 5% 50V (2125)
C177	1-163-127-00	s CERAMIC, CHIP 270pF 5% 50V (2125)
C178	*3 1-126-233-11	s ELECT 22uF 20% 50V
C179	*3 1-126-233-11	s ELECT 22uF 20% 50V
C180	1-163-037-11	s CERAMIC, CHIP 0.022uF 10% 25V
C182	*3 1-163-037-11	s CERAMIC, CHIP 0.022uF 10% 25V
C183	*h 1-163-263-11	s CERAMIC, CHIP 330pF 5% 50V (2125)
	*8 1-162-722-11	s CERAMIC 330pF 1% 50V
C201	1-163-037-11	s CERAMIC, CHIP 0.022uF 10% 25V
C202	1-163-037-11	s CERAMIC, CHIP 0.022uF 10% 25V
C203	1-163-121-00	s CERAMIC, CHIP 150pF 5% 50V (2125)
C204	1-163-249-11	s CERAMIC, CHIP 82pF 5% 50V (2125)
C205	1-163-037-11	s CERAMIC, CHIP 0.022uF 10% 25V
C206	1-163-037-11	s CERAMIC, CHIP 0.022uF 10% 25V
C207	1-163-037-11	s CERAMIC, CHIP 0.022uF 10% 25V
C208	*3 1-163-037-11	s CERAMIC, CHIP 0.022uF 10% 25V
C209	*3 1-163-037-11	s CERAMIC, CHIP 0.022uF 10% 25V
C210	1-107-909-11	s ELECT 47uF 20% 50V
C211	*4 1-163-037-11	s CERAMIC, CHIP 0.022uF 10% 25V
C212	1-163-037-11	s CERAMIC, CHIP 0.022uF 10% 25V
C213	*h 1-107-909-11	s ELECT 47uF 20% 50V
	*3 1-135-177-21	s TANTALUM, CHIP 1.0uF 10% 25V
C214	*m 1-107-902-11	s ELECT 1.0uF 20% 50V
	*n 1-124-903-11	s ELECT 1.0uF 20% 50V
	*3 1-163-037-11	s CERAMIC, CHIP 0.022uF 10% 25V
C215	1-163-091-00	s CERAMIC, CHIP 8pF 50V (2125)
C216	1-163-037-11	s CERAMIC, CHIP 0.022uF 10% 25V
C217	1-163-235-11	s CERAMIC, CHIP 22pF 5% 50V (2125)
C218	1-163-037-11	s CERAMIC, CHIP 0.022uF 10% 25V
C219	1-163-037-11	s CERAMIC, CHIP 0.022uF 10% 25V
C220	*3 1-163-235-11	s CERAMIC, CHIP 22pF 5% 50V (2125)
C221	*4 1-163-037-11	s CERAMIC, CHIP 0.022uF 10% 25V
C222	*m 1-107-902-11	s ELECT 1.0uF 20% 50V
	*n 1-124-903-11	s ELECT 1.0uF 20% 50V
C223	1-163-037-11	s CERAMIC, CHIP 0.022uF 10% 25V
C224	1-163-037-11	s CERAMIC, CHIP 0.022uF 10% 25V
C225	*m 1-128-526-11	s CAP, ELECT 100uF 20% 25V
	*10 1-126-933-11	s ELECT 100uF 20% 16V
C226	1-163-037-11	s CERAMIC, CHIP 0.022uF 10% 25V
C227	1-163-037-11	s CERAMIC, CHIP 0.022uF 10% 25V
C228-230		
	*m 1-128-526-11	s CAP, ELECT 100uF 20% 25V
	*10 1-126-933-11	s ELECT 100uF 20% 16V
C231-234	1-163-037-11	s CERAMIC, CHIP 0.022uF 10% 25V
C235	*m 1-128-526-11	s CAP, ELECT 100uF 20% 25V
	*10 1-126-933-11	s ELECT 100uF 20% 16V

-----  
 \*3: LOT No. 302 through 402  
 \*4: LOT No. 302 through 406  
 \*6: LOT No. 302 through 412  
 \*8: LOT No. 305 through 402  
 \*10: LOT No. 302 through 604

Ref. No. or Q'ty	Part No.	SP Description
C236	*m 1-107-902-11	s ELECT 1.0uF 20% 50V
	*n 1-124-903-11	s ELECT 1.0uF 20% 50V
C237	*h 1-163-009-11	s CERAMIC, CHIP 1000pF 10% 50V (2125)
C238	*h 1-163-037-11	s CERAMIC, CHIP 0.022uF 10% 25V (2125)
C239	*h 1-163-235-11	s CERAMIC, CHIP 22pF 5% 50V (2125)
C278	*4 1-163-037-11	s CERAMIC, CHIP 0.022uF 10% 25V (2125)
C280	*4 1-163-037-11	s CERAMIC, CHIP 0.022uF 10% 25V (2125)
C281	1-163-037-11	s CERAMIC, CHIP 0.022uF 10% 25V (2125)
C282	*6 1-163-037-11	s CERAMIC, CHIP 0.022uF 10% 25V (2125)
C283	*6 1-126-963-11	s ELECT 4.7uF 20% 50V
C301	1-163-037-11	s CERAMIC, CHIP 0.022uF 10% 25V (2125)
C302	*h 1-163-037-11	s CERAMIC, CHIP 0.022uF 10% 25V (2125)
C303	*4 1-163-133-00	s CERAMIC, CHIP 470pF 5% 50V (2125)
C304	1-163-133-00	s CERAMIC, CHIP 470pF 5% 50V (2125)
C305	*h 1-163-009-11	s CERAMIC, CHIP 1000pF 10% 50V (2125)
C306-308	1-163-037-11	s CERAMIC, CHIP 0.022uF 10% 25V (2125)
C309	1-163-133-00	s CERAMIC, CHIP 470pF 5% 50V (2125)
C310	1-163-037-11	s CERAMIC, CHIP 0.022uF 10% 25V (2125)
C311	1-163-037-11	s CERAMIC, CHIP 0.022uF 10% 25V (2125)
C312	1-163-241-11	s CERAMIC, CHIP 39pF 5% 50V (2125)
C313	1-163-249-11	s CERAMIC, CHIP 82pF 5% 50V (2125)
C314	1-163-241-11	s CERAMIC, CHIP 39pF 5% 50V (2125)
C315	1-163-121-00	s CERAMIC, CHIP 150pF 5% 50V (2125)
C316	1-163-133-00	s CERAMIC, CHIP 470pF 5% 50V (2125)
C317	1-163-037-11	s CERAMIC, CHIP 0.022uF 10% 25V (2125)
C318	1-163-037-11	s CERAMIC, CHIP 0.022uF 10% 25V (2125)
C319	1-163-110-00	s CERAMIC, CHIP 51pF 5% 50V (2125)
C320	1-163-037-11	s CERAMIC, CHIP 0.022uF 10% 25V (2125)
C321	1-163-037-11	s CERAMIC, CHIP 0.022uF 10% 25V (2125)
C322	1-163-102-00	s CERAMIC, CHIP 24pF 5% 50V (2125)
C323-325	1-163-037-11	s CERAMIC, CHIP 0.022uF 10% 25V (2125)
C326	1-163-110-00	s CERAMIC, CHIP 51pF 5% 50V (2125)
C327	1-163-251-11	s CERAMIC, CHIP 100pF 5% 50V (2125)
C328	1-163-110-00	s CERAMIC, CHIP 51pF 5% 50V (2125)
C329	1-163-037-11	s CERAMIC, CHIP 0.022uF 10% 25V (2125)
C330	1-163-037-11	s CERAMIC, CHIP 0.022uF 10% 25V (2125)
C331	1-163-251-11	s CERAMIC, CHIP 100pF 5% 50V (2125)
C332	1-163-037-11	s CERAMIC, CHIP 0.022uF 10% 25V (2125)
C333	1-163-037-11	s CERAMIC, CHIP 0.022uF 10% 25V (2125)
C334	1-163-110-00	s CERAMIC, CHIP 51pF 5% 50V (2125)
C335	1-163-037-11	s CERAMIC, CHIP 0.022uF 10% 25V (2125)
C336	1-163-099-00	s CERAMIC, CHIP 18pF 5% 50V (2125)
	*x 1-163-227-11	s CERAMIC, CHIP 10pF 5% 50V (2125)
C337	1-163-037-11	s CERAMIC, CHIP 0.022uF 10% 25V (2125)
C338	*h 1-163-037-11	s CERAMIC, CHIP 0.022uF 10% 25V (2125)
C339-341	1-163-037-11	s CERAMIC, CHIP 0.022uF 10% 25V (2125)
C342	*h 1-163-133-00	s CERAMIC, CHIP 470pF 5% 50V (2125)
C343	1-163-133-00	s CERAMIC, CHIP 470pF 5% 50V (2125)
C344-347	1-163-037-11	s CERAMIC, CHIP 0.022uF 10% 25V (2125)
C348	1-163-091-00	s CERAMIC, CHIP 8pF 50V (2125)
C349	1-163-091-00	s CERAMIC, CHIP 8pF 50V (2125)
C350	*m 1-128-526-11	s CAP, ELECT 100uF 20% 25V
	*10 1-126-933-11	s ELECT 100uF 20% 16V
C352	1-163-037-11	s CERAMIC, CHIP 0.022uF 10% 25V (2125)
C353	1-164-004-11	s CERAMIC, CHIP 0.1uF 10% 25V (2125)
C354	1-163-037-11	s CERAMIC, CHIP 0.022uF 10% 25V (2125)

-----  
 \*h: LOT No. 403 or higher  
 \*m: LOT No. 605 or higher  
 \*n: LOT No. 403 through 604  
 \*x: DRUM SEAL 210000 or lower

Ref. No. or Q'ty	Part No.	SP	Description	Ref. No. or Q'ty	Part No.	SP	Description
C355	*7 1-163-037-11	s	CERAMIC, CHIP 0.022uF 10% 25V	C442	*h 1-163-235-11	s	CERAMIC, CHIP 22pF 5% 50V (2125)
C356	1-163-222-11	s	CERAMIC, CHIP 5pF 50V (2125)	C443	*h 1-107-909-11	s	ELECT 47uF 20% 50V
C357	*3 1-163-037-11	s	CERAMIC, CHIP 0.022uF 10% 25V	C444	*h 1-163-037-11	s	CERAMIC, CHIP 0.022uF 10% 25V (2125)
C358	*3 1-163-037-11	s	CERAMIC, CHIP 0.022uF 10% 25V	C445	*h 1-163-037-11	s	CERAMIC, CHIP 0.022uF 10% 25V (2125)
C360	*3 1-126-233-11	s	ELECT 22uF 20% 50V	C501-510	1-163-037-11	s	CERAMIC, CHIP 0.022uF 10% 25V (2125)
C361	1-163-037-11	s	CERAMIC, CHIP 0.022uF 10% 25V	C511	*m 1-128-526-11	s	CAP, ELECT 100uF 20% 25V
C362	*h 1-163-263-11	s	CERAMIC, CHIP 330pF 5% 50V (2125)	*10 1-126-933-11	s	ELECT 100uF 20% 16V	
C401	1-163-037-11	s	CERAMIC, CHIP 0.022uF 10% 25V (2125)	C512	1-163-037-11	s	CERAMIC, CHIP 0.022uF 10% 25V (2125)
C402	1-163-037-11	s	CERAMIC, CHIP 0.022uF 10% 25V	C513	1-163-037-11	s	CERAMIC, CHIP 0.022uF 10% 25V (2125)
C403	1-163-251-11	s	CERAMIC, CHIP 100pF 5% 50V (2125)	C514	1-107-909-11	s	ELECT 47uF 20% 50V
C404	1-163-122-00	s	CERAMIC, CHIP 160pF 5% 50V (2125)	C515	*m 1-128-526-11	s	CAP, ELECT 100uF 20% 25V
C405-407	1-163-037-11	s	CERAMIC, CHIP 0.022uF 10% 25V	*10 1-126-933-11	s	ELECT 100uF 20% 16V	
C408	*3 1-163-037-11	s	CERAMIC, CHIP 0.022uF 10% 25V	C516	1-104-922-21	s	MICA 135pF 0.25% 50V
C409	*3 1-163-037-11	s	CERAMIC, CHIP 0.022uF 10% 25V	C517	1-163-037-11	s	CERAMIC, CHIP 0.022uF 10% 25V (2125)
C410	*m 1-107-902-11	s	ELECT 1.0uF 20% 50V	C518	*m 1-128-526-11	s	CAP, ELECT 100uF 20% 25V
	*n 1-124-903-11	s	ELECT 1.0uF 20% 50V	*10 1-126-933-11	s	ELECT 100uF 20% 16V	
C411	1-107-909-11	s	ELECT 47uF 20% 50V	C519	1-107-909-11	s	ELECT 47uF 20% 50V
C412	*m 1-107-902-11	s	ELECT 1.0uF 20% 50V	C520	*m 1-126-163-11	s	CAP, ELECT 10uF 20% 50V
	*n 1-124-903-11	s	ELECT 1.0uF 20% 50V	*10 1-126-963-11	s	ELECT 4.7uF 20% 50V	
C413	*h 1-163-009-11	s	CERAMIC, CHIP 1000pF 10% 50V (2125)	C521	1-163-220-11	s	CERAMIC, CHIP 3pF 50V (2125)
	*3 1-135-177-21	s	TANTALUM, CHIP 1.0uF 10% 25V	C522	1-163-224-11	s	CERAMIC, CHIP 7pF 50V (2125)
C414	1-163-037-11	s	CERAMIC, CHIP 0.022uF 10% 25V	C523	1-163-087-00	s	CERAMIC, CHIP 4pF 50V (2125)
C415	1-163-091-00	s	CERAMIC, CHIP 8pF 50V (2125)	C524	1-163-106-00	s	CERAMIC, CHIP 36pF 5% 50V (2125)
C416	1-163-235-11	s	CERAMIC, CHIP 22pF 5% 50V (2125)	C525	1-163-108-00	s	CERAMIC, CHIP 43pF 5% 50V
C417	1-163-037-11	s	CERAMIC, CHIP 0.022uF 10% 25V (2125)	C526	*m 1-128-526-11	s	CAP, ELECT 100uF 20% 25V
C418	1-163-235-11	s	CERAMIC, CHIP 22pF 5% 50V (2125)	*10 1-126-933-11	s	ELECT 100uF 20% 16V	
C419	1-163-239-11	s	CERAMIC, CHIP 33pF 5% 50V (2125)	C527	1-163-037-11	s	CERAMIC, CHIP 0.022uF 10% 25V (2125)
C420	*d 1-216-295-00	s	RES, METAL, CHIP 0 (2125)	C528	*m 1-104-799-11	s	CAP, ELECT 22uF 20% 100V
	*4 1-163-235-11	s	CERAMIC, CHIP 22pF 5% 50V (2125)	*10 1-126-233-11	s	ELECT 22uF 20% 50V	
C421	*4 1-163-239-11	s	CERAMIC, CHIP 33pF 5% 50V (2125)	C529	1-163-037-11	s	CERAMIC, CHIP 0.022uF 10% 25V (2125)
C422	1-163-235-11	s	CERAMIC, CHIP 22pF 5% 50V (2125)	C530	*m 1-104-652-11	s	ELECT 470uF 20% 10V
C423	1-163-239-11	s	CERAMIC, CHIP 33pF 5% 50V (2125)	*10 1-126-925-11	s	ELECT 470uF 20% 10V	
C424	*d 1-216-295-00	s	RES, METAL, CHIP 0 (2125)	C531	1-135-177-21	s	TANTALUM, CHIP 1.0uF 10% 25V
	*4 1-163-235-11	s	CERAMIC, CHIP 22pF 5% 50V (2125)	C532	1-163-037-11	s	CERAMIC, CHIP 0.022uF 10% 25V (2125)
C425	*4 1-163-239-11	s	CERAMIC, CHIP 33pF 5% 50V (2125)	C533	*m 1-128-526-11	s	CAP, ELECT 100uF 20% 25V
C426	*m 1-128-526-11	s	CAP, ELECT 100uF 20% 25V	*10 1-126-933-11	s	ELECT 100uF 20% 16V	
	*10 1-126-933-11	s	ELECT 100uF 20% 16V	C534	1-163-037-11	s	CERAMIC, CHIP 0.022uF 10% 25V (2125)
C427-429	1-163-037-11	s	CERAMIC, CHIP 0.022uF 10% 25V	C535	*m 1-128-526-11	s	CAP, ELECT 100uF 20% 25V
C430	*m 1-128-526-11	s	CAP, ELECT 100uF 20% 25V	*10 1-126-933-11	s	ELECT 100uF 20% 16V	
	*10 1-126-933-11	s	ELECT 100uF 20% 16V	C536-538	1-163-037-11	s	CERAMIC, CHIP 0.022uF 10% 25V (2125)
C431	1-163-037-11	s	CERAMIC, CHIP 0.022uF 10% 25V	C539	*m 1-128-526-11	s	CAP, ELECT 100uF 20% 25V
C432	*m 1-128-526-11	s	CAP, ELECT 100uF 20% 25V	*10 1-126-933-11	s	ELECT 100uF 20% 16V	
	*10 1-126-933-11	s	ELECT 100uF 20% 16V	C540	1-163-037-11	s	CERAMIC, CHIP 0.022uF 10% 25V (2125)
C433-435	1-163-037-11	s	CERAMIC, CHIP 0.022uF 10% 25V	C541	1-163-234-11	s	CERAMIC, CHIP 20pF 5% 50V (2125)
C436	*m 1-128-526-11	s	CAP, ELECT 100uF 20% 25V	C542	*m 1-128-526-11	s	CAP, ELECT 100uF 20% 25V
	*10 1-126-933-11	s	ELECT 100uF 20% 16V	*10 1-126-933-11	s	ELECT 100uF 20% 16V	
C437	*m 1-128-526-11	s	CAP, ELECT 100uF 20% 25V	C543-547	1-163-037-11	s	CERAMIC, CHIP 0.022uF 10% 25V (2125)
	*10 1-126-933-11	s	ELECT 100uF 20% 16V	C548	1-127-516-11	s	ELECT 220uF 20% 10V
C438	1-163-037-11	s	CERAMIC, CHIP 0.022uF 10% 25V	C549	*m 1-128-526-11	s	CAP, ELECT 100uF 20% 25V
C439	*m 1-128-526-11	s	CAP, ELECT 100uF 20% 25V	*10 1-126-933-11	s	ELECT 100uF 20% 16V	
	*10 1-126-933-11	s	ELECT 100uF 20% 16V	C550	*m 1-128-526-11	s	CAP, ELECT 100uF 20% 25V
C440	1-163-037-11	s	CERAMIC, CHIP 0.022uF 10% 25V	*10 1-126-933-11	s	ELECT 100uF 20% 16V	
C441	*m 1-107-902-11	s	ELECT 1.0uF 20% 25V				
	*n 1-124-903-11	s	ELECT 1.0uF 20% 50V				
	*3 1-163-235-11	s	CERAMIC, CHIP 22pF 5% 50V (2125)				

\*3: LOT No. 302 through 402  
 \*4: LOT No. 302 through 406  
 \*7: LOT No. 302 through 502  
 \*10: LOT No. 302 through 604

\*d: LOT No. 407 through 502  
 \*h: LOT No. 403 or higher  
 \*m: LOT No. 605 or higher  
 \*n: LOT No. 403 through 604

(DM-89 BOARD for DVW-A500P/A510P/CA510P, suffix 11 through 16) (DM-89 BOARD for DVW-A500P/A510P/CA510P, suffix 11 through 16)

Ref. No. or Q'ty	Part No.	SP Description
C551	1-163-037-11	s CERAMIC, CHIP 0.022uF 10% 25V
C552	1-163-037-11	s CERAMIC, CHIP 0.022uF 10% 25V
C553	1-163-237-11	s CERAMIC, CHIP 27pF 5% 50V (2125)
C554	1-163-037-11	s CERAMIC, CHIP 0.022uF 10% 25V
C555	1-163-237-11	s CERAMIC, CHIP 27pF 5% 50V (2125)
C556	1-163-037-11	s CERAMIC, CHIP 0.022uF 10% 25V
C557	1-163-037-11	s CERAMIC, CHIP 0.022uF 10% 25V
C560-564	1-163-037-11	s CERAMIC, CHIP 0.022uF 10% 25V
C565	*m 1-107-929-11	s CAP, ELECT 10uF 20% 100V
	*10 1-126-964-11	s ELECT 10uF 20% 50V
C566	1-163-037-11	s CERAMIC, CHIP 0.022uF 10% 25V
C567	1-163-037-11	s CERAMIC, CHIP 0.022uF 10% 25V
C568	*m 1-128-526-11	s CAP, ELECT 100uF 20% 25V
	*10 1-126-933-11	s ELECT 100uF 20% 16V
C569	1-135-180-21	s TANTALUM, CHIP 3.3uF 10% 10V
C570	1-163-037-11	s CERAMIC, CHIP 0.022uF 10% 25V
C571	1-163-037-11	s CERAMIC, CHIP 0.022uF 10% 25V
C572	*m 1-128-526-11	s CAP, ELECT 100uF 20% 25V
	*10 1-126-933-11	s ELECT 100uF 20% 16V
C574	1-135-070-00	s TANTALUM, CHIP 0.1uF 10% 35V
C575	1-135-177-21	s TANTALUM, CHIP 1.0uF 10% 25V
C576	1-163-227-11	s CERAMIC, CHIP 10pF 5% 50V (2125)
C701	1-163-037-11	s CERAMIC, CHIP 0.022uF 10% 25V
C702	1-163-037-11	s CERAMIC, CHIP 0.022uF 10% 25V
C703	*m 1-128-526-11	s CAP, ELECT 100uF 20% 25V
	*10 1-126-933-11	s ELECT 100uF 20% 16V
C704	1-163-037-11	s CERAMIC, CHIP 0.022uF 10% 25V
C705	1-163-037-11	s CERAMIC, CHIP 0.022uF 10% 25V
C706	1-163-037-11	s CERAMIC, CHIP 0.022uF 10% 25V
C707	1-107-909-11	s ELECT 47uF 20% 50V
C708	*m 1-128-526-11	s CAP, ELECT 100uF 20% 25V
	*10 1-126-933-11	s ELECT 100uF 20% 16V
C709	1-104-922-21	s MICA 135pF 0.25% 50V
C710	1-163-037-11	s CERAMIC, CHIP 0.022uF 10% 25V
C711	1-126-963-11	s ELECT 4.7uF 20% 50V
C712	*m 1-128-526-11	s CAP, ELECT 100uF 20% 25V
	*10 1-126-933-11	s ELECT 100uF 20% 16V
C713	1-107-909-11	s ELECT 47uF 20% 50V
C714	1-163-037-11	s CERAMIC, CHIP 0.022uF 10% 25V (2125)
C715	*m 1-128-526-11	s CAP, ELECT 100uF 20% 25V
	*10 1-126-933-11	s ELECT 100uF 20% 16V
C716	*m 1-128-526-11	s CAP, ELECT 100uF 20% 25V
	*10 1-126-933-11	s ELECT 100uF 20% 16V
C717	1-163-037-11	s CERAMIC, CHIP 0.022uF 10% 25V (2125)
C718	*m 1-104-799-11	s CAP, ELECT 22uF 20% 100V
	*10 1-126-233-11	s ELECT 22uF 20% 50V
C719	1-163-037-11	s CERAMIC, CHIP 0.022uF 10% 25V
C720	*m 1-128-526-11	s CAP, ELECT 100uF 20% 25V
	*10 1-126-933-11	s ELECT 100uF 20% 16V
C721	1-163-037-11	s CERAMIC, CHIP 0.022uF 10% 25V
C722	*m 1-128-526-11	s CAP, ELECT 100uF 20% 25V
	*10 1-126-933-11	s ELECT 100uF 20% 16V
C723	1-135-177-21	s TANTALUM, CHIP 1.0uF 10% 25V
C724	1-163-037-11	s CERAMIC, CHIP 0.022uF 10% 25V

\*10: LOT No. 302 through 604

Ref. No. or Q'ty	Part No.	SP Description
C725	*m 1-128-526-11	s CAP, ELECT 100uF 20% 25V
	*10 1-126-933-11	s ELECT 100uF 20% 16V
C726-728	1-163-037-11	s CERAMIC, CHIP 0.022uF 10% 25V (2125)
C729	*m 1-128-526-11	s CAP, ELECT 100uF 20% 25V
	*10 1-126-933-11	s ELECT 100uF 20% 16V
C730	1-163-037-11	s CERAMIC, CHIP 0.022uF 10% 25V (2125)
C731	1-163-234-11	s CERAMIC, CHIP 20pF 5% 50V
C732-735	1-163-037-11	s CERAMIC, CHIP 0.022uF 10% 25V (2125)
C736	1-127-516-11	s ELECT 220uF 20% 10V
C737	*m 1-128-526-11	s CAP, ELECT 100uF 20% 25V
	*10 1-126-933-11	s ELECT 100uF 20% 16V
C738	1-163-037-11	s CERAMIC, CHIP 0.022uF 10% 25V (2125)
C739	1-163-237-11	s CERAMIC, CHIP 27pF 5% 50V (2125)
C740	1-163-037-11	s CERAMIC, CHIP 0.022uF 10% 25V (2125)
C741	1-163-237-11	s CERAMIC, CHIP 27pF 5% 50V (2125)
C742	1-163-037-11	s CERAMIC, CHIP 0.022uF 10% 25V (2125)
C743	1-163-037-11	s CERAMIC, CHIP 0.022uF 10% 25V (2125)
C744	*f 1-163-251-11	s CERAMIC, CHIP 100pF 5% 50V (2125)
C746-749	1-163-037-11	s CERAMIC, CHIP 0.022uF 10% 25V (2125)
C750	1-135-180-21	s TANTALUM, CHIP 3.3uF 10% 10V
C751	1-135-070-00	s TANTALUM, CHIP 0.1uF 10% 35V
C901	1-163-235-11	s CERAMIC, CHIP 22pF 5% 50V
C902	1-163-235-11	s CERAMIC, CHIP 22pF 5% 50V
C903	1-163-037-11	s CERAMIC, CHIP 0.022uF 10% 25V (2125)
C904	*m 1-128-526-11	s CAP, ELECT 100uF 20% 25V
	*10 1-126-933-11	s ELECT 100uF 20% 16V
C905	1-163-037-11	s CERAMIC, CHIP 0.022uF 10% 25V (2125)
C906	1-163-037-11	s CERAMIC, CHIP 0.022uF 10% 25V (2125)
C907	*m 1-128-526-11	s CAP, ELECT 100uF 20% 25V
	*10 1-126-933-11	s ELECT 100uF 20% 16V
C908	1-163-037-11	s CERAMIC, CHIP 0.022uF 10% 25V (2125)
C911	*m 1-128-526-11	s CAP, ELECT 100uF 20% 25V
	*10 1-126-933-11	s ELECT 100uF 20% 16V
C912	*m 1-128-526-11	s CAP, ELECT 100uF 20% 25V
	*10 1-126-933-11	s ELECT 100uF 20% 16V
C913-915	1-163-037-11	s CERAMIC, CHIP 0.022uF 10% 25V (2125)
C916	*m 1-126-163-11	s CAP, ELECT 10uF 20% 50V
	*10 1-126-963-11	s ELECT 4.7uF 20% 50V
C917	*m 1-128-526-11	s CAP, ELECT 100uF 20% 25V
	*10 1-126-933-11	s ELECT 100uF 20% 16V
C918-921	1-163-037-11	s CERAMIC, CHIP 0.022uF 10% 25V (2125)
C922	*m 1-128-526-11	s CAP, ELECT 100uF 20% 25V
	*10 1-126-933-11	s ELECT 100uF 20% 16V
C923	*m 1-128-526-11	s CAP, ELECT 100uF 20% 25V
	*10 1-126-933-11	s ELECT 100uF 20% 16V
C924-926	1-163-037-11	s CERAMIC, CHIP 0.022uF 10% 25V (2125)
C927	*m 1-128-526-11	s CAP, ELECT 100uF 20% 25V
	*10 1-126-933-11	s ELECT 100uF 20% 16V
C928	1-163-037-11	s CERAMIC, CHIP 0.022uF 10% 25V (2125)
C930	*m 1-128-526-11	s CAP, ELECT 100uF 20% 25V
	*10 1-126-933-11	s ELECT 100uF 20% 16V

\*f: LOT No. 305 or higher

\*m: LOT No. 605 or higher

(DM-89 BOARD for DVW-A500P/A510P/CA510P, suffix 11 through 16) (DM-89 BOARD for DVW-A500P/A510P/CA510P, suffix 11 through 16)

Ref. No. or Q'ty	Part No.	SP	Description
C931	*m 1-128-526-11	s	CAP, ELECT 100uF 20% 25V
	*10 1-126-933-11	s	ELECT 100uF 20% 16V
C5069	1-163-037-11	s	CERAMIC, CHIP 0.022uF 10% 25V (2125)
C5070	1-163-037-11	s	CERAMIC, CHIP 0.022uF 10% 25V
CN103	1-750-795-21	s	CONNECTOR, PHEC 120P, MALE
D101	*3 8-719-941-23	s	DIODE DA204U
D110	*h 8-719-941-23	s	DIODE DA204U
D301	*m 8-719-404-35	s	DIODE MA141WK
	*11 8-719-123-85	s	DIODE 1SS304
D302	*m 8-719-404-35	s	DIODE MA141WK
	*11 8-719-123-85	s	DIODE 1SS304
D401	*3 8-719-941-23	s	DIODE DA204U
D410	*h 8-719-941-23	s	DIODE DA204U
D501	*m 8-719-024-81	s	DIODE 1SS300
	*10 8-719-123-82	s	DIODE 1SS303
D502	8-719-159-85	s	DIODE RD2.0M-B
D503	*m 8-719-404-35	s	DIODE MA141WK
	*10 8-719-123-85	s	DIODE 1SS304
D504	*m 8-719-024-81	s	DIODE 1SS300
	*10 8-719-123-82	s	DIODE 1SS303
D510	8-719-941-23	s	DIODE DA204U
D701	*m 8-719-024-81	s	DIODE 1SS300
	*10 8-719-123-82	s	DIODE 1SS303
D702	8-719-159-85	s	DIODE RD2.0M-B
D703	*m 8-719-404-35	s	DIODE MA141WK
	*10 8-719-123-85	s	DIODE 1SS304
D710	8-719-941-23	s	DIODE DA204U
D901	8-719-941-23	s	DIODE DA204U
D902	8-719-026-16	s	LED CL-150D-CD, ORG
D903	*m 8-719-404-35	s	DIODE MA141WK
	*11 8-719-123-85	s	DIODE 1SS304
D904	*m 8-719-404-35	s	DIODE MA141WK
	*11 8-719-123-85	s	DIODE 1SS304
FL101	1-415-854-11	s	DELAY LINE
FL103	1-415-674-11	s	DELAY LINE
FL301	1-415-852-11	s	DELAY LINE
FL302	1-415-853-11	s	DELAY LINE
FL501	1-239-158-11	s	FILTER, LOW PASS
FL502	1-239-164-11	s	FILTER, LOW PASS
FL503	1-239-713-11	s	FILTER, LOW PASS
FL504	1-239-714-11	s	FILTER, LOW PASS
FL701	1-239-159-11	s	FILTER, LOW PASS
FL702	1-239-160-11	s	FILTER, LOW PASS
FL703	1-239-714-11	s	FILTER, LOW PASS
FL704	1-239-063-31	s	FILTER, LOW PASS
IC1	8-752-036-77	s	IC CXA1179N
IC101	8-752-052-75	s	IC CXA1479Q
IC102	8-752-052-73	s	IC CXA1451M
IC103	8-759-112-53	s	IC UPC1663G
IC104	8-759-300-71	s	IC HD14053BFP
IC105	*3 8-759-908-17	s	IC TL082CPS
IC106	8-759-009-06	s	IC MC14052BF
IC107	8-759-708-05	s	IC NJM78L05A

-----  
 \*3: LOT No. 302 through 402  
 \*6: LOT No. 302 through 412  
 \*10: LOT No. 302 through 604  
 \*11: LOT No. 305 through 604

Ref. No. or Q'ty	Part No.	SP	Description
IC108	8-759-708-05	s	IC NJM78L05A
IC109	8-759-700-65	s	IC NJM79L05A
IC110	*c 8-759-030-74	s	IC SC14S66F
IC111	*6 8-759-702-08	s	IC NJM360M
IC112	8-759-673-36	s	IC MM74HC00SJX
IC113	*c 8-759-234-20	s	IC TC7S08F
	*3 8-759-031-84	s	IC SC7S04F
IC114	*h 8-759-234-20	s	IC TC7S08F
IC115	*h 8-759-234-20	s	IC TC7S08F
IC210	*h 8-759-014-29	s	IC MC34184M
IC301	8-752-052-75	s	IC CXA1479Q
IC302	8-752-052-73	s	IC CXA1451M
IC304	*h 8-759-234-20	s	IC TC7S08F
IC303	*3 8-759-908-17	s	IC TL082CPS
IC305	8-759-673-36	s	IC MM74HC00SJX
IC306	8-759-708-05	s	IC NJM78L05A
IC307	8-759-708-05	s	IC NJM78L05A
IC308	8-759-700-65	s	IC NJM79L05A
IC309	*h 8-759-234-20	s	IC TC7S08F
IC310	*f 8-759-035-90	s	IC SC7S02F
IC311	*f 8-759-035-90	s	IC SC7S02F
IC312	*h 8-759-030-74	s	IC SC14S66F
IC313	*h 8-759-035-90	s	IC SC7S02F
IC314	*h 8-759-234-20	s	IC TC7S08F
IC315	*k 8-759-030-74	s	IC SC14S66F
IC401	*h 8-759-014-29	s	IC MC34184M
IC402	*h 8-759-300-71	s	IC HD14053BFP
IC501	8-752-052-48	s	IC CXA1370Q
IC503	1-810-128-11	s	HIC BP-015
IC504	8-759-708-05	s	IC NJM78L05A
IC505	8-759-908-17	s	IC TL082CPS
IC506	8-752-052-77	s	IC CXA1450M
IC507	8-759-035-93	s	IC SC7S32F
IC508	8-759-708-05	s	IC NJM78L05A
IC509	8-759-012-00	s	IC MC10H116M
IC510	8-759-700-65	s	IC NJM79L05A
IC511	*f 8-759-035-93	s	IC SC7S32F
IC512	8-759-700-07	s	IC NJM2903M
IC513	8-759-031-84	s	IC SC7S04F
IC514	8-752-052-73	s	IC CXA1451M
IC515	8-759-708-05	s	IC NJM78L05A
IC516	8-759-700-65	s	IC NJM79L05A
IC517	8-759-708-05	s	IC NJM78L05A
IC518	*f 8-759-035-93	s	IC SC7S32F
IC701	8-752-052-48	s	IC CXA1370Q
IC703	1-810-128-11	s	HIC BP-015
IC704	8-759-708-05	s	IC NJM78L05A
IC705	8-759-035-93	s	IC SC7S32F
IC706	8-759-708-05	s	IC NJM78L05A
IC707	8-759-012-00	s	IC MC10H116M
IC708	8-759-700-65	s	IC NJM79L05A
IC710	8-759-700-07	s	IC NJM2903M
IC711	8-752-052-73	s	IC CXA1451M
IC901	8-759-300-71	s	IC HD14053BFP
IC902	8-759-300-71	s	IC HD14053BFP

-----  
 \*c: LOT No. 403 through 502  
 \*f: LOT No. 305 or higher  
 \*h: LOT No. 403 or higher  
 \*k: LOT No. 503 or higher  
 \*m: LOT No. 605 or higher

(DM-89 BOARD for DVW-A500P/A510P/CA510P, suffix 11 through 16) (DM-89 BOARD for DVW-A500P/A510P/CA510P, suffix 11 through 16)

Ref. No. or Q'ty	Part No.	SP Description
IC903	8-759-300-71	s IC HD14053BFP
IC904	8-759-635-27	s IC M62352GP
IC905	8-759-635-27	s IC M62352GP
IC906	8-759-263-32	s IC UPD78011BGC-608-AB8
IC907	8-759-940-45	s IC S-8054HN-CB-S
IC908	8-759-488-17	s IC BR93LC46F
IC909	8-759-009-04	s IC MC14050BF
IC910	8-759-009-03	s IC MC14049UBF
IC911	8-759-673-39	s IC MM74HC02SJX
IC912	8-759-708-05	s IC NJM78L05A
IC913 *f	8-759-035-93	s IC SC7S32F
L101	1-410-378-11	s INDUCTOR, CHIP 5.6uH
L102	1-410-378-11	s INDUCTOR, CHIP 5.6uH
L103	1-410-380-31	s INDUCTOR, CHIP 8.2uH
L104	1-410-378-11	s INDUCTOR, CHIP 5.6uH
L105	1-410-381-11	s INDUCTOR, CHIP 10uH
L106	1-410-381-11	s INDUCTOR, CHIP 10uH
L107 *j	1-410-380-31	s INDUCTOR, CHIP 8.2uH
L108	1-410-380-31	s INDUCTOR, CHIP 8.2uH
L109	1-410-381-11	s INDUCTOR, CHIP 10uH
L110	1-410-371-41	s INDUCTOR, CHIP 1.5uH
L111	1-410-369-11	s INDUCTOR, CHIP 1.0uH
L112	1-410-383-31	s INDUCTOR, CHIP 15uH
L113	1-410-376-21	s INDUCTOR, CHIP 3.9uH
L114	1-410-372-21	s INDUCTOR, CHIP 1.8uH
L115	1-410-380-31	s INDUCTOR, CHIP 8.2uH
L116	1-410-381-11	s INDUCTOR, CHIP 10uH
L117	1-410-375-11	s INDUCTOR, CHIP 3.3uH
L118	1-410-381-11	s INDUCTOR, CHIP 10uH
L119	1-410-382-31	s INDUCTOR, CHIP 12uH
L120	1-410-389-31	s INDUCTOR, CHIP 47uH
L121	1-410-373-31	s INDUCTOR, CHIP 2.2uH
L122	1-410-377-31	s INDUCTOR, CHIP 4.7uH
L123 *x	1-410-382-31	s INDUCTOR, CHIP 12uH
L201	1-410-371-41	s INDUCTOR, CHIP 1.5uH
L202	1-410-371-41	s INDUCTOR, CHIP 1.5uH
L203	1-412-203-11	s INDUCTOR, CHIP 560uH
L301	1-410-379-31	s INDUCTOR, CHIP 6.8uH
L302	1-410-379-31	s INDUCTOR, CHIP 6.8uH
L303	1-412-282-41	s INDUCTOR, CHIP 470uH
L304	1-412-282-41	s INDUCTOR, CHIP 470uH
L305-310	1-410-380-31	s INDUCTOR, CHIP 8.2uH
L311	1-410-381-11	s INDUCTOR, CHIP 10uH
L312	1-410-383-31	s INDUCTOR, CHIP 15uH
L401	1-410-371-41	s INDUCTOR, CHIP 1.5uH
L402	1-410-371-41	s INDUCTOR, CHIP 1.5uH
L403	1-412-203-11	s INDUCTOR, CHIP 560uH
L404	1-410-393-11	s INDUCTOR, CHIP 100uH
L405	1-410-381-11	s INDUCTOR, CHIP 10uH
L406	1-410-381-11	s INDUCTOR, CHIP 10uH
L501	1-412-282-41	s INDUCTOR, CHIP 470uH
L502	1-412-206-11	s INDUCTOR, CHIP 1.0mH
L503-507	1-410-393-11	s INDUCTOR, CHIP 100uH
L701-705	1-410-393-11	s INDUCTOR, CHIP 100uH
L5000	1-410-381-11	s INDUCTOR, CHIP 10uH
L5001	1-410-381-11	s INDUCTOR, CHIP 10uH

\*1: LOT No. 302 through 304  
\*9: LOT No. 305 through 406

Ref. No. or Q'ty	Part No.	SP Description
Q101-106	8-729-117-72	s TRANSISTOR 2SC4178-F13
Q107	8-729-143-07	s TRANSISTOR 2SA1610-Y33
Q108	8-729-117-72	s TRANSISTOR 2SC4178-F13
Q109	8-729-143-07	s TRANSISTOR 2SA1610-Y33
Q110-112	8-729-117-72	s TRANSISTOR 2SC4178-F13
Q113	8-729-143-07	s TRANSISTOR 2SA1610-Y33
Q114	8-729-117-72	s TRANSISTOR 2SC4178-F13
Q115	8-729-143-07	s TRANSISTOR 2SA1610-Y33
Q117-120	8-729-209-07	s TRANSISTOR 2SC4213-B
Q121	8-729-117-72	s TRANSISTOR 2SC4178-F13
Q122	8-729-117-72	s TRANSISTOR 2SC4178-F13
Q123	8-729-905-12	s TRANSISTOR DTA144EU
Q124	8-729-143-07	s TRANSISTOR 2SA1610-Y33
Q125	8-729-117-72	s TRANSISTOR 2SC4178-F13
Q126	8-729-905-12	s TRANSISTOR DTA144EU
Q127	8-729-143-07	s TRANSISTOR 2SA1610-Y33
Q128	8-729-117-72	s TRANSISTOR 2SC4178-F13
Q129	8-729-905-12	s TRANSISTOR DTA144EU
Q130	8-729-143-07	s TRANSISTOR 2SA1610-Y33
Q131-133	8-729-117-72	s TRANSISTOR 2SC4178-F13
Q138-142	8-729-117-72	s TRANSISTOR 2SC4178-F13
Q143	8-729-143-07	s TRANSISTOR 2SA1610-Y33
Q144	8-729-140-63	s TRANSISTOR 2SA1611-M5M6
Q145	8-729-117-72	s TRANSISTOR 2SC4178-F13
Q146	8-729-143-07	s TRANSISTOR 2SA1610-Y33
Q147	8-729-140-63	s TRANSISTOR 2SA1611-M5M6
Q148	8-729-209-07	s TRANSISTOR 2SC4213-B
Q149	8-729-209-07	s TRANSISTOR 2SC4213-B
Q150 *h	8-729-117-32	s TRANSISTOR 2SC4177-L6
Q178	8-729-117-72	s TRANSISTOR 2SC4178-F13
Q201	8-729-117-72	s TRANSISTOR 2SC4178-F13
Q202	8-729-117-72	s TRANSISTOR 2SC4178-F13
Q210	8-729-905-18	s TRANSISTOR DTC144EU
Q210 *b	8-729-209-07	s TRANSISTOR 2SC4213-B
Q211 *9	8-729-209-07	s TRANSISTOR 2SC4213-B
*1	8-729-907-00	s TRANSISTOR DTC114EU
Q212 *9	8-729-209-07	s TRANSISTOR 2SC4213-B
*1	8-729-907-00	s TRANSISTOR DTC114EU
Q213 *h	8-729-140-63	s TRANSISTOR 2SA1611-M5M6
Q214 *h	8-729-117-32	s TRANSISTOR 2SC4177-L6
Q215 *k	8-729-905-18	s TRANSISTOR DTC144EU
Q301-306	8-729-117-72	s TRANSISTOR 2SC4178-F13
Q307	8-729-143-07	s TRANSISTOR 2SA1610-Y33
Q308	8-729-117-72	s TRANSISTOR 2SC4178-F13
Q309	8-729-143-07	s TRANSISTOR 2SA1610-Y33
Q310-312	8-729-117-72	s TRANSISTOR 2SC4178-F13
Q313	8-729-143-07	s TRANSISTOR 2SA1610-Y33
Q314	8-729-117-72	s TRANSISTOR 2SC4178-F13
Q315	8-729-143-07	s TRANSISTOR 2SA1610-Y33
Q319-322	8-729-117-72	s TRANSISTOR 2SC4178-F13
Q323 *h	8-729-117-72	s TRANSISTOR 2SC4178-F13
Q401	8-729-117-72	s TRANSISTOR 2SC4178-F13
Q402	8-729-117-72	s TRANSISTOR 2SC4178-F13
Q403 *h	8-729-117-32	s TRANSISTOR 2SC4177-L6
Q410 *h	8-729-140-63	s TRANSISTOR 2SA1611-M5M6

\*b: LOT No. 403 through 406  
\*f: LOT No. 305 or higher  
\*h: LOT No. 403 or higher  
\*j: LOT No. 409 or higher  
\*k: LOT No. 503 or higher  
\*x: DRUM SEAL 210000 or lower

(DM-89 BOARD for DVW-A500P/A510P/CA510P, suffix 11 through 16) (DM-89 BOARD for DVW-A500P/A510P/CA510P, suffix 11 through 16)

Ref. No. or Q'ty	Part No.	SP	Description	Ref. No. or Q'ty	Part No.	SP	Description
Q501	8-729-905-18	s	TRANSISTOR DTC144EU	R109	*7 1-216-025-00	s	METAL, CHIP 100 5% 1/10W
Q502	*h 8-729-904-41	s	TRANSISTOR FMY3	R110	*i 1-216-651-11	s	METAL, CHIP 1.0K 0.5% 1/10W
	*3 8-729-140-63	s	TRANSISTOR 2SA1611-M5M6	R111	1-216-025-00	s	METAL, CHIP 100 5% 1/10W
Q503	*h 8-729-904-41	s	TRANSISTOR FMY3	R113	1-216-651-11	s	METAL, CHIP 1.0K 0.5% 1/10W
	*3 8-729-117-32	s	TRANSISTOR 2SC4177-L6	R114	1-216-651-11	s	METAL, CHIP 1.0K 0.5% 1/10W
Q504	*h 8-729-904-41	s	TRANSISTOR FMY3	R115	1-216-049-00	s	METAL, CHIP 1.0K 5% 1/10W (2125)
	*3 8-729-140-63	s	TRANSISTOR 2SA1611-M5M6	R116	1-216-033-00	s	METAL, CHIP 220 5% 1/10W (2125)
Q505	*h 8-729-904-41	s	TRANSISTOR FMY3	R117	1-216-667-11	s	METAL, CHIP 4.7K 0.5% 1/10W (2125)
	*3 8-729-117-32	s	TRANSISTOR 2SC4177-L6	R118	1-216-635-11	s	METAL, CHIP 220 0.5% 1/10W (2125)
				R119	1-216-037-00	s	METAL, CHIP 330 5% 1/10W (2125)
Q506	8-729-117-72	s	TRANSISTOR 2SC4178-F13	R120	1-216-037-00	s	METAL, CHIP 330 5% 1/10W (2125)
Q507	8-729-905-12	s	TRANSISTOR DTA144EU	R121	1-216-065-00	s	METAL, CHIP 4.7K 5% 1/10W (2125)
Q508-513	8-729-117-32	s	TRANSISTOR 2SC4177-L6	R122	1-216-065-00	s	METAL, CHIP 4.7K 5% 1/10W (2125)
Q514	8-729-905-18	s	TRANSISTOR DTC144EU	R123	1-216-057-00	s	METAL, CHIP 2.2K 5% 1/10W (2125)
Q515	8-729-117-32	s	TRANSISTOR 2SC4177-L6	R124	1-216-624-11	s	METAL, CHIP 75 0.5% 1/10W (2125)
Q516	8-729-117-32	s	TRANSISTOR 2SC4177-L6	R125	1-216-025-00	s	METAL, CHIP 100 5% 1/10W (2125)
Q517	8-729-905-12	s	TRANSISTOR DTA144EU	R126	1-216-061-00	s	METAL, CHIP 3.3K 5% 1/10W (2125)
Q518	8-729-905-12	s	TRANSISTOR DTA144EU	R127	1-216-033-00	s	METAL, CHIP 220 5% 1/10W (2125)
Q519	*a 8-729-905-18	s	TRANSISTOR DTC144EU	R128	1-216-638-11	s	METAL, CHIP 300 0.5% 1/10W (2125)
Q520	*h 8-729-905-12	s	TRANSISTOR DTA144EU	R129	1-216-638-11	s	METAL, CHIP 300 0.5% 1/10W (2125)
Q521-523	8-729-117-32	s	TRANSISTOR 2SC4177-L6	R130	1-216-025-00	s	METAL, CHIP 100 5% 1/10W
Q524	8-729-905-18	s	TRANSISTOR DTC144EU	R131	1-216-065-00	s	METAL, CHIP 4.7K 5% 1/10W (2125)
Q525	8-729-140-63	s	TRANSISTOR 2SA1611-M5M6	R132	1-216-025-00	s	METAL, CHIP 100 5% 1/10W (2125)
Q526	8-729-117-32	s	TRANSISTOR 2SC4177-L6	R133	1-216-041-00	s	METAL, CHIP 470 5% 1/10W (2125)
Q528	*h 8-729-904-41	s	TRANSISTOR FMY3	R134	1-216-642-11	s	METAL, CHIP 430 0.5% 1/10W (2125)
Q701	8-729-140-63	s	TRANSISTOR 2SA1611-M5M6	R135	1-208-775-11	s	METAL, CHIP 510 0.5% 1/10W (2125)
Q702	8-729-117-32	s	TRANSISTOR 2SC4177-L6	R136	1-216-033-00	s	METAL, CHIP 220 5% 1/10W
Q703	8-729-140-63	s	TRANSISTOR 2SA1611-M5M6	R137	1-216-025-00	s	METAL, CHIP 100 5% 1/10W
Q704	8-729-117-32	s	TRANSISTOR 2SC4177-L6	R138	1-216-025-00	s	METAL, CHIP 100 5% 1/10W (2125)
Q705	8-729-117-32	s	TRANSISTOR 2SC4177-L6	R139	1-216-065-00	s	METAL, CHIP 4.7K 5% 1/10W (2125)
Q706	8-729-140-63	s	TRANSISTOR 2SA1611-M5M6	R140	1-216-041-00	s	METAL, CHIP 470 5% 1/10W (2125)
Q707	8-729-140-63	s	TRANSISTOR 2SA1611-M5M6	R141	1-216-641-11	s	METAL, CHIP 390 0.5% 1/10W (2125)
Q708	8-729-117-32	s	TRANSISTOR 2SC4177-L6	R142	1-208-775-11	s	METAL, CHIP 510 0.5% 1/10W (2125)
Q709	8-729-117-32	s	TRANSISTOR 2SC4177-L6	R143	1-216-033-00	s	METAL, CHIP 220 5% 1/10W (2125)
Q710	8-729-117-72	s	TRANSISTOR 2SC4178-F13	R144	1-216-025-00	s	METAL, CHIP 100 5% 1/10W (2125)
Q711	8-729-905-12	s	TRANSISTOR DTA144EU	R145	1-216-065-00	s	METAL, CHIP 4.7K 5% 1/10W (2125)
Q712-717	8-729-117-32	s	TRANSISTOR 2SC4177-L6	R146	*h 1-216-041-00	s	METAL, CHIP 470 5% 1/10W
Q718	8-729-905-18	s	TRANSISTOR DTC144EU		*3 1-216-025-00	s	METAL, CHIP 100 5% 1/10W (2125)
Q719	8-729-117-32	s	TRANSISTOR 2SC4177-L6	R147	1-216-061-00	s	METAL, CHIP 3.3K 5% 1/10W (2125)
Q720	8-729-117-32	s	TRANSISTOR 2SC4177-L6	R148	1-216-033-00	s	METAL, CHIP 220 5% 1/10W (2125)
Q721	*h 8-729-905-12	s	TRANSISTOR DTA144EU	R149	1-216-639-11	s	METAL, CHIP 330 0.5% 1/10W (2125)
Q722-724	8-729-117-32	s	TRANSISTOR 2SC4177-L6	R150	1-216-639-11	s	METAL, CHIP 330 0.5% 1/10W (2125)
Q725	8-729-905-18	s	TRANSISTOR DTC144EU	R151	1-216-025-00	s	METAL, CHIP 100 5% 1/10W
Q901	8-729-905-18	s	TRANSISTOR DTC144EU	R152	1-216-065-00	s	METAL, CHIP 4.7K 5% 1/10W (2125)
Q902	8-729-905-18	s	TRANSISTOR DTC144EU	R153	1-216-025-00	s	METAL, CHIP 100 5% 1/10W (2125)
R100	*h 1-216-049-00	s	METAL, CHIP 1.0K 5% 1/10W (2125)	R154	1-216-041-00	s	METAL, CHIP 470 5% 1/10W (2125)
	*3 1-216-655-11	s	METAL, CHIP 1.5K 0.5% 1/10W	R155	1-216-642-11	s	METAL, CHIP 430 0.5% 1/10W (2125)
R102	*h 1-216-630-11	s	METAL, CHIP 130 0.5% 1/10W	R156	1-208-775-11	s	METAL, CHIP 510 0.5% 1/10W (2125)
	*3 1-216-631-11	s	METAL, CHIP 150 0.5% 1/10W (2125)	R157	1-216-033-00	s	METAL, CHIP 220 5% 1/10W
R104	*h 1-216-629-11	s	METAL, CHIP 120 0.5% 1/10W (2125)	R158	1-216-025-00	s	METAL, CHIP 100 5% 1/10W
	*3 1-216-025-00	s	METAL, CHIP 100 5% 1/10W (2125)	R159	1-216-025-00	s	METAL, CHIP 100 5% 1/10W (2125)
R105	*3 1-216-295-00	s	METAL, CHIP 0 (2125)	R160	1-216-065-00	s	METAL, CHIP 4.7K 5% 1/10W (2125)
R107	*f 1-216-025-00	s	METAL, CHIP 100 5% 1/10W (2125)	R161	1-216-041-00	s	METAL, CHIP 470 5% 1/10W (2125)
R108	*h 1-208-814-11	s	METAL, CHIP 22K 0.5% 1/10W (2125)	R162	1-208-771-11	s	METAL, CHIP 360 0.5% 1/10W (2125)
	*8 1-215-453-00	s	METAL 22K 1% 1/4W	R163	1-208-775-11	s	METAL, CHIP 510 0.5% 1/10W (2125)
				R164	1-216-033-00	s	METAL, CHIP 220 5% 1/10W (2125)

-----  
 \*3: LOT No. 302 through 402  
 \*7: LOT No. 302 through 502  
 \*8: LOT No. 305 through 402

-----  
 \*a: LOT No. 305 through 502  
 \*f: LOT No. 305 or higher  
 \*h: LOT No. 403 or higher  
 \*i: LOT No. 407 or higher

Ref. No. or Q'ty	Part No.	SP Description	Ref. No. or Q'ty	Part No.	SP Description
R165	1-216-025-00	s METAL, CHIP 100 5% 1/10W (2125)	R218	1-216-065-00	s METAL, CHIP 4.7K 5% 1/10W (2125)
R166	1-216-065-00	s METAL, CHIP 4.7K 5% 1/10W (2125)	R219	1-216-065-00	s METAL, CHIP 4.7K 5% 1/10W (2125)
R167	1-216-049-00	s METAL, CHIP 1.0K 5% 1/10W (2125)	R220	1-216-049-00	s METAL, CHIP 1.0K 5% 1/10W (2125)
R168	1-216-009-00	s METAL, CHIP 22 5% 1/10W (2125)	R221	1-216-049-00	s METAL, CHIP 1.0K 5% 1/10W (2125)
R169	1-216-049-00	s METAL, CHIP 1.0K 5% 1/10W (2125)	R222	1-216-009-00	s METAL, CHIP 22 5% 1/10W (2125)
R170	*h 1-216-657-11	s METAL, CHIP 1.8K 0.5% 1/10W	R223	1-216-009-00	s METAL, CHIP 22 5% 1/10W
	*3 1-216-651-11	s METAL, CHIP 1.0K 0.5% 1/10W	R224	1-216-057-00	s METAL, CHIP 2.2K 5% 1/10W (2125)
R171	*h 1-216-051-00	s METAL, CHIP 1.2K 5% 1/10W (2125)	R225	1-216-057-00	s METAL, CHIP 2.2K 5% 1/10W
	*3 1-216-045-00	s METAL, CHIP 680 5% 1/10W (2125)	R226	1-216-009-00	s METAL, CHIP 22 5% 1/10W (2125)
R172	1-216-057-00	s METAL, CHIP 2.2K 5% 1/10W (2125)	R227	1-216-009-00	s METAL, CHIP 22 5% 1/10W
R173	1-216-638-11	s METAL, CHIP 300 0.5% 1/10W (2125)	R228	1-216-113-00	s METAL, CHIP 470K 5% 1/10W
R174-177	1-216-073-00	s METAL, CHIP 10K 5% 1/10W (2125)	R230	*h 1-216-049-00	s METAL, CHIP 1.0K 5% 1/10W (2125)
R178	1-216-638-11	s METAL, CHIP 300 0.5% 1/10W (2125)	R231	1-216-651-11	s METAL, CHIP 1.0K 0.5% 1/10W (2125)
R179	1-216-025-00	s METAL, CHIP 100 5% 1/10W (2125)	R232	1-216-295-00	s METAL, CHIP 0 (2125)
R180	1-216-065-00	s METAL, CHIP 4.7K 5% 1/10W (2125)	R233	*h 1-216-049-00	s METAL, CHIP 1.0K 5% 1/10W (2125)
R181	1-216-073-00	s METAL, CHIP 10K 5% 1/10W (2125)	R234	1-208-784-11	s METAL, CHIP 1.2K 0.5% 1/10W (2125)
R182	1-216-025-00	s METAL, CHIP 100 5% 1/10W (2125)	R235	1-216-073-00	s METAL, CHIP 10K 5% 1/10W (2125)
R183	1-216-073-00	s METAL, CHIP 10K 5% 1/10W (2125)	R236	1-216-073-00	s METAL, CHIP 10K 5% 1/10W (2125)
R184	1-216-025-00	s METAL, CHIP 100 5% 1/10W (2125)	R237	1-216-049-00	s METAL, CHIP 1.0K 5% 1/10W (2125)
R185	1-216-065-00	s METAL, CHIP 4.7K 5% 1/10W (2125)	R238	1-216-063-00	s METAL, CHIP 3.9K 5% 1/10W (2125)
R186	1-216-073-00	s METAL, CHIP 10K 5% 1/10W (2125)	R239	1-216-049-00	s METAL, CHIP 1.0K 5% 1/10W (2125)
R187	*h 1-216-025-00	s METAL, CHIP 100 5% 1/10W (2125)	R240	1-216-073-00	s METAL, CHIP 10K 5% 1/10W (2125)
	*8 1-216-061-00	s METAL, CHIP 3.3K 5% 1/10W (2125)	R240A(*3)	1-216-101-00	s METAL, CHIP 150K 5% 1/10W (2125)
	*1 1-216-025-00	s METAL, CHIP 100 5% 1/10W (2125)	R241	1-216-073-00	s METAL, CHIP 10K 5% 1/10W (2125)
R188	1-216-073-00	s METAL, CHIP 10K 5% 1/10W (2125)	R241A(*3)	1-216-101-00	s METAL, CHIP 150K 5% 1/10W (2125)
R189	1-216-065-00	s METAL, CHIP 4.7K 5% 1/10W (2125)	R242	1-216-049-00	s METAL, CHIP 1.0K 5% 1/10W (2125)
R190	1-216-025-00	s METAL, CHIP 100 5% 1/10W (2125)	R243	1-216-063-00	s METAL, CHIP 3.9K 5% 1/10W (2125)
R191	1-216-073-00	s METAL, CHIP 10K 5% 1/10W (2125)	R244	1-216-049-00	s METAL, CHIP 1.0K 5% 1/10W (2125)
R192	1-216-025-00	s METAL, CHIP 100 5% 1/10W (2125)	R245	1-216-025-00	s METAL, CHIP 100 5% 1/10W (2125)
R193	1-216-073-00	s METAL, CHIP 10K 5% 1/10W (2125)	R246-249	1-216-033-00	s METAL, CHIP 220 5% 1/10W (2125)
R194	1-216-025-00	s METAL, CHIP 100 5% 1/10W (2125)	R250	1-216-037-00	s METAL, CHIP 330 5% 1/10W (2125)
R195	1-216-065-00	s METAL, CHIP 4.7K 5% 1/10W (2125)	R251	1-208-775-11	s METAL, CHIP 510 0.5% 1/10W (2125)
R196	1-216-049-00	s METAL, CHIP 1.0K 5% 1/10W (2125)	R252	1-208-775-11	s METAL, CHIP 510 0.5% 1/10W (2125)
R197	1-216-073-00	s METAL, CHIP 10K 5% 1/10W (2125)	R253	1-216-037-00	s METAL, CHIP 330 5% 1/10W (2125)
R198	1-216-073-00	s METAL, CHIP 10K 5% 1/10W (2125)	R254	1-216-037-00	s METAL, CHIP 330 5% 1/10W (2125)
R199	1-216-638-11	s METAL, CHIP 300 0.5% 1/10W (2125)	R255	1-216-065-00	s METAL, CHIP 4.7K 5% 1/10W (2125)
R200	1-216-025-00	s METAL, CHIP 100 5% 1/10W (2125)	R256	1-216-065-00	s METAL, CHIP 4.7K 5% 1/10W (2125)
R201	1-216-057-00	s METAL, CHIP 2.2K 5% 1/10W (2125)	R257	*h 1-216-073-00	s METAL, CHIP 10K 5% 1/10W (2125)
R202-204	1-216-073-00	s METAL, CHIP 10K 5% 1/10W (2125)		*3 1-216-049-00	s METAL, CHIP 1.0K 5% 1/10W (2125)
R205	*1 1-216-061-00	s METAL, CHIP 3.3K 5% 1/10W (2125)	R258	*h 1-216-089-00	s METAL, CHIP 47K 5% 1/10W (2125)
R206	1-216-033-00	s METAL, CHIP 220 5% 1/10W (2125)		*3 1-216-045-00	s METAL, CHIP 680 5% 1/10W (2125)
R207	1-216-033-00	s METAL, CHIP 220 5% 1/10W (2125)	R259	*h 1-216-081-00	s METAL, CHIP 22K 5% 1/10W (2125)
R208	*h 1-216-049-00	s METAL, CHIP 1.0K 5% 1/10W (2125)		*3 1-216-049-00	s METAL, CHIP 1.0K 5% 1/10W (2125)
R209	1-216-033-00	s METAL, CHIP 220 5% 1/10W (2125)	R260	*h 1-216-081-00	s METAL, CHIP 22K 5% 1/10W (2125)
R210	*9 1-216-065-00	s METAL, CHIP 4.7K 5% 1/10W (2125)		*3 1-216-045-00	s METAL, CHIP 680 5% 1/10W
R211	*9 1-216-073-00	s METAL, CHIP 10K 5% 1/10W (2125)	R261	1-216-073-00	s METAL, CHIP 10K 5% 1/10W (2125)
	*1 1-216-833-11	s METAL, CHIP 10K 5% 1/16W (1608)	R262	*h 1-216-679-11	s METAL, CHIP 15K 0.5% 1/10W (2125)
R212	*9 1-216-073-00	s METAL, CHIP 10K 5% 1/10W (2125)		*3 1-216-083-00	s EETAL, CHIP 27K 5% 1/10W (2125)
	*1 1-216-833-11	s METAL, CHIP 10K 5% 1/16W (1608)	R263	*h 1-216-687-11	s METAL, CHIP 33K 0.5% 1/10W (2125)
R213	*9 1-216-065-00	s METAL, CHIP 4.7K 5% 1/10W (2125)		*3 1-216-069-00	s METAL, CHIP 6.8K 5% 1/10W (2125)
R214	1-216-635-11	s METAL, CHIP 220 0.5% 1/10W (2125)	R264	*h 1-216-073-00	s METAL, CHIP 10K 5% 1/10W (2125)
R215	*h 1-216-065-00	s METAL, CHIP 4.7K 5% 1/10W (2125)		*3 1-216-077-00	s METAL, CHIP 15K 5% 1/10W (2125)
R216	1-216-037-00	s METAL, CHIP 330 5% 1/10W (2125)	R265	*h 1-216-073-00	s METAL, CHIP 10K 5% 1/10W (2125)
R217	1-216-037-00	s METAL, CHIP 330 5% 1/10W (2125)			

\*1: LOT No. 302 through 304  
\*3: LOT No. 302 through 402  
\*8: LOT No. 305 through 402  
\*9: LOT No. 305 through 406

\*h: LOT No. 403 or higher  
(\*?): Some mounted circuit boards within specified “\*?”



Ref. No. or Q'ty	Part No.	SP	Description	Ref. No. or Q'ty	Part No.	SP	Description
R266	1-216-033-00	s	METAL, CHIP 220 5% 1/10W (2125)	R318	1-216-063-00	s	METAL, CHIP 3.9K 5% 1/10W (2125)
R267	1-216-033-00	s	METAL, CHIP 220 5% 1/10W (2125)	R319	1-216-037-00	s	METAL, CHIP 330 5% 1/10W (2125)
R268	*h 1-216-081-00	s	METAL, CHIP 22K 5% 1/10W (2125)	R320	1-216-037-00	s	METAL, CHIP 330 5% 1/10W (2125)
	*3 1-216-065-00	s	METAL, CHIP 4.7K 5% 1/10W (2125)	R321	1-216-065-00	s	METAL, CHIP 4.7K 5% 1/10W (2125)
R269	1-216-065-00	s	METAL, CHIP 4.7K 5% 1/10W (2125)	R322	1-216-065-00	s	METAL, CHIP 4.7K 5% 1/10W (2125)
R271	1-216-049-00	s	METAL, CHIP 1.0K 5% 1/10W (2125)	R323	1-216-057-00	s	METAL, CHIP 2.2K 5% 1/10W (2125)
R272	*e 1-216-295-00	s	METAL, CHIP 0 (2125)	R324	1-216-624-11	s	METAL, CHIP 75 0.5% 1/10W (2125)
	*3 1-216-057-00	s	METAL, CHIP 2.2K 5% 1/10W (2125)	R325	1-216-025-00	s	METAL, CHIP 100 5% 1/10W (2125)
R274	1-216-097-00	s	METAL, CHIP 100K 5% 1/10W (2125)	R326	1-216-033-00	s	METAL, CHIP 220 5% 1/10W (2125)
R275	1-216-025-00	s	METAL, CHIP 100 5% 1/10W (2125)	R327	1-216-061-00	s	METAL, CHIP 3.3K 5% 1/10W (2125)
R276	*4 1-216-049-00	s	METAL, CHIP 1.0K 5% 1/10W (2125)	R328	1-216-638-11	s	METAL, CHIP 300 0.5% 1/10W (2125)
R277	1-216-049-00	s	METAL, CHIP 1.0K 5% 1/10W (2125)	R329	1-216-638-11	s	METAL, CHIP 300 0.5% 1/10W (2125)
R278	*9 1-216-621-11	s	METAL, CHIP 56 0.5% 1/10W (2125)	R330	1-216-025-00	s	METAL, CHIP 100 5% 1/10W (2125)
	*1 1-216-622-11	s	METAL, CHIP 62 0.5% 1/10W (2125)	R331	1-216-065-00	s	METAL, CHIP 4.7K 5% 1/10W (2125)
R279	*x 1-216-651-11	s	METAL, CHIP 1.0K 0.5% 1/10W (2125)	R332	1-216-041-00	s	METAL, CHIP 470 5% 1/10W
R280	*9 1-216-624-11	s	METAL, CHIP 75 0.5% 1/10W (2125)	R333	*g 1-216-033-00	s	METAL, CHIP 220 5% 1/10W (2125)
	*1 1-216-023-00	s	METAL, CHIP 82 5% 1/10W (2125)		*2 1-216-025-00	s	METAL, CHIP 100 5% 1/10W (2125)
R282	*6 1-216-675-11	s	METAL, CHIP 10K 0.5% 1/10W (2125)	R334	1-208-774-11	s	METAL, CHIP 470 0.5% 1/10W (2125)
R283	*6 1-216-675-11	s	METAL, CHIP 10K 0.5% 1/10W (2125)	R335	1-216-641-11	s	METAL, CHIP 390 0.5% 1/10W (2125)
R284	*6 1-216-295-00	s	METAL, CHIP 0 (2125)	R336	1-216-041-00	s	METAL, CHIP 470 5% 1/10W (2125)
R285	*3 1-216-679-11	s	METAL, CHIP 15K 0.5% 1/10W (2125)	R337	1-216-025-00	s	METAL, CHIP 100 5% 1/10W (2125)
R286	*k 1-216-624-11	s	METAL, CHIP 75 0.5% 1/10W (2125)	R338	1-216-065-00	s	METAL, CHIP 4.7K 5% 1/10W (2125)
	*4 1-216-624-11	s	METAL, CHIP 75 0.5% 1/10W (2125)	R339	1-216-025-00	s	METAL, CHIP 100 5% 1/10W (2125)
R287	*h 1-216-081-00	s	METAL, CHIP 22K 5% 1/10W (2125)	R340	*g 1-216-033-00	s	METAL, CHIP 220 5% 1/10W (2125)
R288	1-216-073-00	s	METAL, CHIP 10K 5% 1/10W (2125)		*2 1-216-025-00	s	METAL, CHIP 100 5% 1/10W (2125)
R289	1-216-049-00	s	METAL, CHIP 1.0K 5% 1/10W (2125)	R341	1-208-775-11	s	METAL, CHIP 510 0.5% 1/10W (2125)
R290	1-216-073-00	s	METAL, CHIP 10K 5% 1/10W (2125)	R342	1-216-641-11	s	METAL, CHIP 390 0.5% 1/10W (2125)
R291-293	1-216-049-00	s	METAL, CHIP 1.0K 5% 1/10W (2125)	R343	1-216-041-00	s	METAL, CHIP 470 5% 1/10W (2125)
R294	1-216-073-00	s	METAL, CHIP 10K 5% 1/10W (2125)	R344	1-216-025-00	s	METAL, CHIP 100 5% 1/10W (2125)
R295	1-216-073-00	s	METAL, CHIP 10K 5% 1/10W (2125)	R345	1-216-065-00	s	METAL, CHIP 4.7K 5% 1/10W (2125)
R296	*h 1-216-049-00	s	METAL, CHIP 1.0K 5% 1/10W (2125)	R346	*h 1-216-041-00	s	METAL, CHIP 470 5% 1/10W
	*3 1-216-295-00	s	METAL, CHIP 0 (2125)		*3 1-216-025-00	s	METAL, CHIP 100 5% 1/10W (2125)
R297	*h 1-216-659-11	s	METAL, CHIP 2.2K 0.5% 1/10W	R347	1-216-033-00	s	METAL, CHIP 220 5% 1/10W (2125)
	*3 1-216-679-11	s	METAL, CHIP 15K 0.5% 1/10W (2125)	R348	1-216-061-00	s	METAL, CHIP 3.3K 5% 1/10W (2125)
R298	*h 1-208-774-11	s	METAL, CHIP 470 0.5% 1/10W (2125)	R349	1-216-638-11	s	METAL, CHIP 300 0.5% 1/10W (2125)
	*3 1-216-295-00	s	METAL, CHIP 0 (2125)	R350	1-216-638-11	s	METAL, CHIP 300 0.5% 1/10W (2125)
R299	*h 1-216-073-00	s	METAL, CHIP 10K 5% 1/10W (2125)	R351	1-216-025-00	s	METAL, CHIP 100 5% 1/10W (2125)
	*3 1-216-065-00	s	METAL, CHIP 4.7K 5% 1/10W (2125)	R352	1-216-065-00	s	METAL, CHIP 4.7K 5% 1/10W (2125)
R300	1-216-057-00	s	METAL, CHIP 2.2K 5% 1/10W (2125)	R353	1-216-025-00	s	METAL, CHIP 100 5% 1/10W (2125)
R301	*h 1-216-630-11	s	METAL, CHIP 130 0.5% 1/10W (2125)	R354	*g 1-216-033-00	s	METAL, CHIP 220 5% 1/10W (2125)
	*3 1-216-631-11	s	METAL, CHIP 150 0.5% 1/10W		*2 1-216-025-00	s	METAL, CHIP 100 5% 1/10W (2125)
R302	*3 1-216-679-11	s	METAL, CHIP 15K 0.5% 1/10W (2125)	R355	1-208-775-11	s	METAL, CHIP 510 0.5% 1/10W (2125)
R303	*h 1-216-629-11	s	METAL, CHIP 120 0.5% 1/10W (2125)	R356	1-216-642-11	s	METAL, CHIP 430 0.5% 1/10W (2125)
	*3 1-216-025-00	s	METAL, CHIP 100 5% 1/10W (2125)	R357	1-216-041-00	s	METAL, CHIP 470 5% 1/10W (2125)
R305	*h 1-216-049-00	s	METAL, CHIP 1.0K 5% 1/10W (2125)	R358	1-216-025-00	s	METAL, CHIP 100 5% 1/10W (2125)
R307	1-216-025-00	s	METAL, CHIP 100 5% 1/10W (2125)	R359	1-216-065-00	s	METAL, CHIP 4.7K 5% 1/10W (2125)
R308	*h 1-208-814-11	s	METAL, CHIP 22K 0.5% 1/10W (2125)	R360	1-216-025-00	s	METAL, CHIP 100 5% 1/10W (2125)
R309	*7 1-216-025-00	s	METAL, CHIP 100 5% 1/10W (2125)	R361	*g 1-216-033-00	s	METAL, CHIP 220 5% 1/10W (2125)
R311	1-216-025-00	s	METAL, CHIP 100 5% 1/10W (2125)		*2 1-216-025-00	s	METAL, CHIP 100 5% 1/10W (2125)
R313	1-216-651-11	s	METAL, CHIP 1.0K 0.5% 1/10W	R362	1-208-775-11	s	METAL, CHIP 510 0.5% 1/10W (2125)
R314	1-216-651-11	s	METAL, CHIP 1.0K 0.5% 1/10W	R363	1-208-771-11	s	METAL, CHIP 360 0.5% 1/10W (2125)
R315	1-216-033-00	s	METAL, CHIP 220 5% 1/10W (2125)	R364	1-216-041-00	s	METAL, CHIP 470 5% 1/10W (2125)
R316	1-216-049-00	s	METAL, CHIP 1.0K 5% 1/10W (2125)	R365	1-216-025-00	s	METAL, CHIP 100 5% 1/10W
R317	1-216-635-11	s	METAL, CHIP 220 0.5% 1/10W	R366	1-216-065-00	s	METAL, CHIP 4.7K 5% 1/10W (2125)

\*1: LOT No. 302 through 304  
 \*2: LOT No. 302 through 305  
 \*3: LOT No. 302 through 402  
 \*4: LOT No. 302 through 406  
 \*6: LOT No. 302 through 412  
 \*7: LOT No. 302 through 502

\*9: LOT No. 305 through 406  
 \*e: LOT No. 501 or 502  
 \*g: LOT No. 306 or higher  
 \*h: LOT No. 403 or higher  
 \*k: LOT No. 503 or higher  
 \*x: DRUM SEAL 210000 or lower

Ref. No. or Q'ty	Part No.	SP Description
R367	1-216-073-00	s METAL, CHIP 10K 5% 1/10W (2125)
R369 *h	1-216-049-00	s METAL, CHIP 1.0K 5% 1/10W (2125)
R370	1-216-033-00	s METAL, CHIP 220 5% 1/10W (2125)
R371	1-216-635-11	s METAL, CHIP 220 0.5% 1/10W (2125)
R372-377	1-216-033-00	s METAL, CHIP 220 5% 1/10W (2125)
R378	1-216-037-00	s METAL, CHIP 330 5% 1/10W (2125)
R379	1-216-037-00	s METAL, CHIP 330 5% 1/10W (2125)
R380	1-216-065-00	s METAL, CHIP 4.7K 5% 1/10W (2125)
R381	1-216-065-00	s METAL, CHIP 4.7K 5% 1/10W (2125)
R382	1-216-049-00	s METAL, CHIP 1.0K 5% 1/10W (2125)
R383	1-216-049-00	s METAL, CHIP 1.0K 5% 1/10W (2125)
R384	1-216-009-00	s METAL, CHIP 22 5% 1/10W (2125)
R385	1-216-009-00	s METAL, CHIP 22 5% 1/10W (2125)
R386	1-216-057-00	s METAL, CHIP 2.2K 5% 1/10W (2125)
R387	1-216-057-00	s METAL, CHIP 2.2K 5% 1/10W (2125)
R388	1-216-009-00	s METAL, CHIP 22 5% 1/10W (2125)
R389	1-216-009-00	s METAL, CHIP 22 5% 1/10W (2125)
R390	1-216-113-00	s METAL, CHIP 470K 5% 1/10W (2125)
R392 *h	1-216-057-00	s METAL, CHIP 2.2K 5% 1/10W (2125)
R393	1-216-651-11	s METAL, CHIP 1.0K 0.5% 1/10W
R394 *h	1-216-041-00	s METAL, CHIP 470 5% 1/10W (2125)
R396	1-208-784-11	s METAL, CHIP 1.2K 0.5% 1/10W
R397 *h	1-216-049-00	s METAL, CHIP 1.0K 5% 1/10W (2125)
R398 *k	1-216-025-00	s METAL, CHIP 100 5% 1/10W (2125)
R401 *h	1-216-065-00	s METAL, CHIP 4.7K 5% 1/10W (2125)
R402 *h	1-216-049-00	s METAL, CHIP 1.0K 5% 1/10W (2125)
R403	1-216-073-00	s METAL, CHIP 10K 5% 1/10W (2125)
R404 *h	1-216-049-00	s METAL, CHIP 1.0K 5% 1/10W (2125)
R405	1-216-073-00	s METAL, CHIP 10K 5% 1/10W (2125)
R406 *h	1-216-089-00	s METAL, CHIP 47K 5% 1/10W (2125)
R407 *h	1-216-081-00	s METAL, CHIP 22K 5% 1/10W (2125)
R408 *h	1-216-081-00	s METAL, CHIP 22K 5% 1/10W (2125)
R410 *3	1-216-057-00	s METAL, CHIP 2.2K 5% 1/10W (2125)
R411	1-216-025-00	s METAL, CHIP 100 5% 1/10W (2125)
R412	1-216-295-00	s METAL, CHIP 0 (2125)
R413 *h	1-216-049-00	s METAL, CHIP 1.0K 5% 1/10W (2125)
*3	1-216-295-00	s METAL, CHIP 0 (2125)
R414 *h	1-216-081-00	s METAL, CHIP 22K 5% 1/10W (2125)
R415 *h	1-216-081-00	s METAL, CHIP 22K 5% 1/10W (2125)
*3	1-216-295-00	s METAL, CHIP 0 (2125)
R416 *h	1-216-025-00	s METAL, CHIP 100 5% 1/10W (2125)
R417 *h	1-216-679-11	s METAL, CHIP 15K 0.5% 1/10W (2125)
*3	1-216-295-00	s METAL, CHIP 0 (2125)
R418 *h	1-216-687-11	s METAL, CHIP 33K 0.5% 1/10W (2125)
*3	1-216-065-00	s METAL, CHIP 4.7K 5% 1/10W
R419 *h	1-216-073-00	s METAL, CHIP 10K 5% 1/10W (2125)
*3	1-216-679-11	s METAL, CHIP 15K 0.5% 1/10W (2125)
R420 *h	1-216-073-00	s METAL, CHIP 10K 5% 1/10W (2125)
R421 *h	1-216-073-00	s METAL, CHIP 10K 5% 1/10W (2125)
R451	1-216-037-00	s METAL, CHIP 330 5% 1/10W (2125)
R452	1-208-775-11	s METAL, CHIP 510 0.5% 1/10W (2125)
R453	1-208-775-11	s METAL, CHIP 510 0.5% 1/10W (2125)
R454	1-216-037-00	s METAL, CHIP 330 5% 1/10W (2125)
R455	1-216-037-00	s METAL, CHIP 330 5% 1/10W (2125)

Ref. No. or Q'ty	Part No.	SP Description
R456	1-216-065-00	s METAL, CHIP 4.7K 5% 1/10W (2125)
R457	1-216-065-00	s METAL, CHIP 4.7K 5% 1/10W (2125)
R458 *3	1-216-045-00	s METAL, CHIP 680 5% 1/10W (2125)
R459 *3	1-216-049-00	s METAL, CHIP 1.0K 5% 1/10W (2125)
R460 *3	1-216-045-00	s METAL, CHIP 680 5% 1/10W (2125)
R461 *3	1-216-049-00	s METAL, CHIP 1.0K 5% 1/10W (2125)
R462 *3	1-216-083-00	s EETAL, CHIP 27K 5% 1/10W (2125)
R463 *3	1-216-077-00	s METAL, CHIP 15K 5% 1/10W (2125)
R464 *3	1-216-069-00	s METAL, CHIP 6.8K 5% 1/10W (2125)
R468 *3	1-216-065-00	s METAL, CHIP 4.7K 5% 1/10W (2125)
R469	1-216-065-00	s METAL, CHIP 4.7K 5% 1/10W (2125)
R471 *1	1-216-049-00	s METAL, CHIP 1.0K 5% 1/10W (2125)
R472 *f	1-216-021-00	s METAL, CHIP 68 5% 1/10W
*1	1-216-033-00	s METAL, CHIP 220 5% 1/10W (2125)
R473 *9	1-216-021-00	s METAL, CHIP 68 5% 1/10W
*1	1-216-033-00	s METAL, CHIP 220 5% 1/10W (2125)
R474 *f	1-216-057-00	s METAL, CHIP 2.2K 5% 1/10W (2125)
*1	1-216-063-00	s METAL, CHIP 3.9K 5% 1/10W (2125)
R475 *9	1-216-057-00	s METAL, CHIP 2.2K 5% 1/10W (2125)
R476	1-216-121-00	s METAL, CHIP 1.0M 5% 1/10W (2125)
R477	1-216-073-00	s METAL, CHIP 10K 5% 1/10W (2125)
R478 *4	1-216-121-00	s METAL, CHIP 1.0M 5% 1/10W (2125)
R479 *4	1-216-073-00	s METAL, CHIP 10K 5% 1/10W (2125)
R480	1-216-121-00	s METAL, CHIP 1.0M 5% 1/10W (2125)
R481	1-216-073-00	s METAL, CHIP 10K 5% 1/10W (2125)
R482 *4	1-216-121-00	s METAL, CHIP 1.0M 5% 1/10W (2125)
R483 *4	1-216-073-00	s METAL, CHIP 10K 5% 1/10W (2125)
R484	1-216-057-00	s METAL, CHIP 2.2K 5% 1/10W (2125)
R485 *4	1-216-057-00	s METAL, CHIP 2.2K 5% 1/10W (2125)
R486 *9	1-216-021-00	s METAL, CHIP 68 5% 1/10W (2125)
*1	1-216-033-00	s METAL, CHIP 220 5% 1/10W (2125)
R487 *f	1-216-021-00	s METAL, CHIP 68 5% 1/10W
*1	1-216-033-00	s METAL, CHIP 220 5% 1/10W
R488 *f	1-216-089-00	s METAL, CHIP 47K 5% 1/10W
R490	1-216-089-00	s METAL, CHIP 47K 5% 1/10W (2125)
R492	1-216-049-00	s METAL, CHIP 1.0K 5% 1/10W (2125)
R493	1-216-097-00	s METAL, CHIP 100K 5% 1/10W (2125)
R501	1-216-675-11	s METAL, CHIP 10K 0.5% 1/10W (2125)
R502	1-216-675-11	s METAL, CHIP 10K 0.5% 1/10W (2125)
R503	1-216-073-00	s METAL, CHIP 10K 5% 1/10W (2125)
R505-508	1-216-675-11	s METAL, CHIP 10K 0.5% 1/10W (2125)
R510	1-216-073-00	s METAL, CHIP 10K 5% 1/10W
R511	1-216-650-11	s METAL, CHIP 910 0.5% 1/10W (2125)
R512	1-216-651-11	s METAL, CHIP 1.0K 0.5% 1/10W (2125)
R513	1-216-049-00	s METAL, CHIP 1.0K 5% 1/10W (2125)
R514	1-216-691-11	s METAL, CHIP 47K 0.5% 1/10W (2125)
R515	1-216-685-11	s METAL, CHIP 27K 0.5% 1/10W (2125)
R516	1-216-113-00	s METAL, CHIP 470K 5% 1/10W (2125)
R517	1-216-089-00	s METAL, CHIP 47K 5% 1/10W
R518 *f	1-216-073-00	s METAL, CHIP 10K 5% 1/10W (2125)
*1	1-216-049-00	s METAL, CHIP 1.0K 5% 1/10W (2125)
R519	1-216-089-00	s METAL, CHIP 47K 5% 1/10W (2125)

\*1: LOT No. 302 through 304  
\*3: LOT No. 302 through 402  
\*4: LOT No. 302 through 406  
\*9: LOT No. 305 through 406

\*f: LOT No. 305 or higher  
\*h: LOT No. 403 or higher  
\*k: LOT No. 503 or higher

Ref. No. or Q'ty	Part No.	SP	Description	Ref. No. or Q'ty	Part No.	SP	Description
R520	*h 1-216-667-11	s	METAL, CHIP 4.7K 0.5% 1/10W	R570	1-216-049-00	s	METAL, CHIP 1.0K 5% 1/10W
	*3 1-208-799-11	s	METAL, CHIP 5.1K 0.5% 1/10W	R571	1-216-651-11	s	METAL, CHIP 1.0K 0.5% 1/10W (2125)
R521	1-216-685-11	s	METAL, CHIP 27K 0.5% 1/10W (2125)	R572	1-216-651-11	s	METAL, CHIP 1.0K 0.5% 1/10W (2125)
R522	1-208-801-11	s	METAL, CHIP 6.2K 0.5% 1/10W	R573	1-216-049-00	s	METAL, CHIP 1.0K 5% 1/10W
R523	1-216-033-00	s	METAL, CHIP 220 5% 1/10W (2125)	R574	1-216-649-11	s	METAL, CHIP 820 0.5% 1/10W (2125)
R524	1-216-634-11	s	METAL, CHIP 200 0.5% 1/10W (2125)	R575	1-216-649-11	s	METAL, CHIP 820 0.5% 1/10W (2125)
R525	1-216-665-11	s	METAL, CHIP 3.9K 0.5% 1/10W	R576	1-216-049-00	s	METAL, CHIP 1.0K 5% 1/10W (2125)
R527	1-208-811-11	s	METAL, CHIP 16K 0.5% 1/10W (2125)	R577	1-208-774-11	s	METAL, CHIP 470 0.5% 1/10W (2125)
R528	1-208-784-11	s	METAL, CHIP 1.2K 0.5% 1/10W	R578	1-208-774-11	s	METAL, CHIP 470 0.5% 1/10W (2125)
R529	1-216-009-00	s	METAL, CHIP 22 5% 1/10W (2125)	R579	1-216-649-11	s	METAL, CHIP 820 0.5% 1/10W (2125)
R530	1-216-049-00	s	METAL, CHIP 1.0K 5% 1/10W (2125)	R580	1-216-025-00	s	METAL, CHIP 100 5% 1/10W
R531	*h 1-208-774-11	s	METAL, CHIP 470 0.5% 1/10W (2125)	R581-584	1-216-049-00	s	METAL, CHIP 1.0K 5% 1/10W (2125)
	*3 1-216-041-00	s	METAL, CHIP 470 5% 1/10W (2125)	R585	1-208-774-11	s	METAL, CHIP 470 0.5% 1/10W (2125)
R532	1-216-073-00	s	METAL, CHIP 10K 5% 1/10W (2125)	R586	1-216-671-11	s	METAL, CHIP 6.8K 0.5% 1/10W (2125)
R533	1-216-667-11	s	METAL, CHIP 4.7K 0.5% 1/10W	R587	1-208-774-11	s	METAL, CHIP 470 0.5% 1/10W (2125)
R534	1-216-639-11	s	METAL, CHIP 330 0.5% 1/10W (2125)	R588	1-216-646-11	s	METAL, CHIP 620 0.5% 1/10W (2125)
R535	*h 1-208-789-11	s	METAL, CHIP 2.0K 0.5% 1/10W	R589	1-216-025-00	s	METAL, CHIP 100 5% 1/10W (2125)
	*3 1-216-656-11	s	METAL, CHIP 1.6K 0.5% 1/10W	R590	1-216-049-00	s	METAL, CHIP 1.0K 5% 1/10W (2125)
R536	*h 1-208-789-11	s	METAL, CHIP 2.0K 0.5% 1/10W	R591	1-216-041-00	s	METAL, CHIP 470 5% 1/10W (2125)
	*3 1-216-660-11	s	METAL, CHIP 2.4K 0.5% 1/10W	R592	1-216-049-00	s	METAL, CHIP 1.0K 5% 1/10W (2125)
R537	1-216-049-00	s	METAL, CHIP 1.0K 5% 1/10W (2125)	R593	1-216-049-00	s	METAL, CHIP 1.0K 5% 1/10W (2125)
R538	1-208-814-11	s	METAL, CHIP 22K 0.5% 1/10W (2125)	R594	1-216-025-00	s	METAL, CHIP 100 5% 1/10W (2125)
R539	*h 1-216-682-11	s	METAL, CHIP 20K 0.5% 1/10W (2125)	R595	1-216-049-00	s	METAL, CHIP 1.0K 5% 1/10W (2125)
	*3 1-208-814-11	s	METAL, CHIP 22K 0.5% 1/10W (2125)	R596	1-208-751-11	s	METAL, CHIP 51 0.5% 1/10W (2125)
R540	1-216-041-00	s	METAL, CHIP 470 5% 1/10W (2125)	R597	1-216-033-00	s	METAL, CHIP 220 5% 1/10W (2125)
R541	1-216-639-11	s	METAL, CHIP 330 0.5% 1/10W (2125)	R598	1-216-025-00	s	METAL, CHIP 100 5% 1/10W (2125)
R542	*h 1-208-789-11	s	METAL, CHIP 2.0K 0.5% 1/10W	R600	1-216-113-00	s	METAL, CHIP 470K 5% 1/10W (2125)
	*3 1-216-655-11	s	METAL, CHIP 1.5K 0.5% 1/10W	R601	1-208-811-11	s	METAL, CHIP 16K 0.5% 1/10W (2125)
R543	*h 1-208-789-11	s	METAL, CHIP 2.0K 0.5% 1/10W	R602	1-208-811-11	s	METAL, CHIP 16K 0.5% 1/10W (2125)
	*3 1-216-660-11	s	METAL, CHIP 2.4K 0.5% 1/10W	R603	1-216-025-00	s	METAL, CHIP 100 5% 1/10W (2125)
R544	1-216-049-00	s	METAL, CHIP 1.0K 5% 1/10W (2125)	R605	1-216-097-00	s	METAL, CHIP 100K 5% 1/10W
R545	1-216-049-00	s	METAL, CHIP 1.0K 5% 1/10W (2125)	R606	1-216-073-00	s	METAL, CHIP 10K 5% 1/10W
R546	1-216-065-00	s	METAL, CHIP 4.7K 5% 1/10W (2125)	R607	1-216-073-00	s	METAL, CHIP 10K 5% 1/10W (2125)
R547	1-216-049-00	s	METAL, CHIP 1.0K 5% 1/10W (2125)	R608	1-216-675-11	s	METAL, CHIP 10K 0.5% 1/10W (2125)
R548	1-216-079-00	s	METAL, CHIP 18K 5% 1/10W (2125)	R609	1-216-025-00	s	METAL, CHIP 100 5% 1/10W (2125)
R549	1-216-666-11	s	METAL, CHIP 4.3K 0.5% 1/10W	R610	1-216-656-11	s	METAL, CHIP 1.6K 0.5% 1/10W (2125)
R550	1-216-065-00	s	METAL, CHIP 4.7K 5% 1/10W (2125)	R611	1-216-651-11	s	METAL, CHIP 1.0K 0.5% 1/10W (2125)
R551	1-216-073-00	s	METAL, CHIP 10K 5% 1/10W (2125)	R612	1-216-025-00	s	METAL, CHIP 100 5% 1/10W (2125)
R552	1-216-089-00	s	METAL, CHIP 47K 5% 1/10W (2125)	R613	1-216-675-11	s	METAL, CHIP 10K 0.5% 1/10W (2125)
R553	1-216-073-00	s	METAL, CHIP 10K 5% 1/10W (2125)	R614	1-216-073-00	s	METAL, CHIP 10K 5% 1/10W (2125)
R554	1-216-025-00	s	METAL, CHIP 100 5% 1/10W (2125)	R615	1-216-073-00	s	METAL, CHIP 10K 5% 1/10W (2125)
R555	1-208-751-11	s	METAL, CHIP 51 0.5% 1/10W (2125)	R616	*a 1-216-089-00	s	METAL, CHIP 47K 5% 1/10W (2125)
R556	1-216-009-00	s	METAL, CHIP 22 5% 1/10W (2125)	R617	(*3) 1-216-113-00	s	METAL, CHIP 470K 5% 1/10W (2125)
R557	1-216-638-11	s	METAL, CHIP 300 0.5% 1/10W (2125)	R618	1-216-065-00	s	METAL, CHIP 4.7K 5% 1/10W (2125)
R558	1-216-049-00	s	METAL, CHIP 1.0K 5% 1/10W (2125)	R619	1-216-039-00	s	METAL, CHIP 390 5% 1/10W (2125)
R559	1-208-774-11	s	METAL, CHIP 470 0.5% 1/10W (2125)	R620	1-216-065-00	s	METAL, CHIP 4.7K 5% 1/10W (2125)
R560	1-216-049-00	s	METAL, CHIP 1.0K 5% 1/10W (2125)	R621	1-216-073-00	s	METAL, CHIP 10K 5% 1/10W (2125)
R561	1-216-638-11	s	METAL, CHIP 300 0.5% 1/10W (2125)	R622	1-216-025-00	s	METAL, CHIP 100 5% 1/10W (2125)
R562	1-216-057-00	s	METAL, CHIP 2.2K 5% 1/10W (2125)	R623	1-216-049-00	s	METAL, CHIP 1.0K 5% 1/10W (2125)
R563	1-208-774-11	s	METAL, CHIP 470 0.5% 1/10W	R624	1-216-041-00	s	METAL, CHIP 470 5% 1/10W (2125)
R564	1-216-057-00	s	METAL, CHIP 2.2K 5% 1/10W (2125)	R625	1-216-041-00	s	METAL, CHIP 470 5% 1/10W (2125)
R565	1-216-049-00	s	METAL, CHIP 1.0K 5% 1/10W (2125)	R626	*h 1-216-295-00	s	METAL, CHIP 0 (2125)
R566	1-216-049-00	s	METAL, CHIP 1.0K 5% 1/10W (2125)	R627	*h 1-216-295-00	s	METAL, CHIP 0 (2125)
R567	1-216-041-00	s	METAL, CHIP 470 5% 1/10W (2125)	R628	*h 1-216-041-00	s	METAL, CHIP 470 5% 1/10W (2125)
R569	1-216-025-00	s	METAL, CHIP 100 5% 1/10W (2125)	R630	*h 1-216-049-00	s	METAL, CHIP 1.0K 5% 1/10W (2125)
				R633	*h 1-216-049-00	s	METAL, CHIP 1.0K 5% 1/10W (2125)
				R634	*h 1-216-049-00	s	METAL, CHIP 1.0K 5% 1/10W (2125)

\*3: LOT No. 302 through 402

\*a: LOT No. 305 through 502

\*h: LOT No. 403 or higher

(\*?): Some mounted circuit boards within specified "\*?"

Ref. No. or Q'ty	Part No.	SP Description
R635	*h 1-208-774-11	s METAL, CHIP 470 0.5% 1/10W (2125)
R636	*h 1-216-049-00	s METAL, CHIP 1.0K 5% 1/10W (2125)
R637	*c 1-216-009-00	s METAL, CHIP 22 5% 1/10W (2125)
R640	*h 1-216-049-00	s METAL, CHIP 1.0K 5% 1/10W (2125)
R641	*h 1-216-009-00	s METAL, CHIP 22 5% 1/10W (2125)
R701	1-216-691-11	s METAL, CHIP 47K 0.5% 1/10W (2125)
R702	1-216-685-11	s METAL, CHIP 27K 0.5% 1/10W (2125)
R703	1-216-089-00	s METAL, CHIP 47K 5% 1/10W (2125)
R704	1-216-049-00	s METAL, CHIP 1.0K 5% 1/10W (2125)
R705	1-216-113-00	s METAL, CHIP 470K 5% 1/10W (2125)
R706	1-216-089-00	s METAL, CHIP 47K 5% 1/10W (2125)
R707	1-208-801-11	s METAL, CHIP 6.2K 0.5% 1/10W
R708	1-216-685-11	s METAL, CHIP 27K 0.5% 1/10W (2125)
R709	1-208-801-11	s METAL, CHIP 6.2K 0.5% 1/10W
R710	1-216-033-00	s METAL, CHIP 220 5% 1/10W (2125)
R711	1-208-771-11	s METAL, CHIP 360 0.5% 1/10W (2125)
R712	1-216-665-11	s METAL, CHIP 3.9K 0.5% 1/10W
R714	1-216-677-11	s METAL, CHIP 12K 0.5% 1/10W (2125)
R715	1-216-652-11	s METAL, CHIP 1.1K 0.5% 1/10W
R716	1-216-073-00	s METAL, CHIP 10K 5% 1/10W (2125)
R717	1-216-009-00	s METAL, CHIP 22 5% 1/10W (2125)
R718	1-216-049-00	s METAL, CHIP 1.0K 5% 1/10W (2125)
R719	1-216-041-00	s METAL, CHIP 470 5% 1/10W (2125)
R720	1-216-639-11	s METAL, CHIP 330 0.5% 1/10W (2125)
R721	1-216-656-11	s METAL, CHIP 1.6K 0.5% 1/10W
R722	1-216-661-11	s METAL, CHIP 2.7K 0.5% 1/10W
R723	1-216-049-00	s METAL, CHIP 1.0K 5% 1/10W (2125)
R724	1-216-041-00	s METAL, CHIP 470 5% 1/10W (2125)
R725	1-216-639-11	s METAL, CHIP 330 0.5% 1/10W (2125)
R726	1-216-655-11	s METAL, CHIP 1.5K 0.5% 1/10W
R727	1-216-660-11	s METAL, CHIP 2.4K 0.5% 1/10W
R728	1-216-049-00	s METAL, CHIP 1.0K 5% 1/10W (2125)
R729	1-216-025-00	s METAL, CHIP 100 5% 1/10W (2125)
R730	1-216-049-00	s METAL, CHIP 1.0K 5% 1/10W (2125)
R732	1-216-049-00	s METAL, CHIP 1.0K 5% 1/10W (2125)
R733	1-216-657-11	s METAL, CHIP 1.8K 0.5% 1/10W
R734	1-216-657-11	s METAL, CHIP 1.8K 0.5% 1/10W
R735	1-216-631-11	s METAL, CHIP 150 0.5% 1/10W (2125)
R736	1-208-774-11	s METAL, CHIP 470 0.5% 1/10W (2125)
R737	1-216-631-11	s METAL, CHIP 150 0.5% 1/10W (2125)
R738	1-216-061-00	s METAL, CHIP 3.3K 5% 1/10W (2125)
R739	1-216-073-00	s METAL, CHIP 10K 5% 1/10W (2125)
R740	1-216-073-00	s METAL, CHIP 10K 5% 1/10W (2125)
R741	1-216-049-00	s METAL, CHIP 1.0K 5% 1/10W (2125)
R742	1-216-065-00	s METAL, CHIP 4.7K 5% 1/10W (2125)
R743	1-216-049-00	s METAL, CHIP 1.0K 5% 1/10W (2125)
R744	1-216-065-00	s METAL, CHIP 4.7K 5% 1/10W (2125)
R745	1-216-073-00	s METAL, CHIP 10K 5% 1/10W (2125)
R746	1-216-089-00	s METAL, CHIP 47K 5% 1/10W (2125)
R747	1-216-073-00	s METAL, CHIP 10K 5% 1/10W (2125)
R748	*f 1-216-073-00	s METAL, CHIP 10K 5% 1/10W (2125)
R749	1-208-751-11	s METAL, CHIP 51 0.5% 1/10W (2125)
R750	1-216-079-00	s METAL, CHIP 18K 5% 1/10W (2125)
R751	1-216-666-11	s METAL, CHIP 4.3K 0.5% 1/10W
R752	1-216-009-00	s METAL, CHIP 22 5% 1/10W (2125)
R753	1-208-774-11	s METAL, CHIP 470 0.5% 1/10W (2125)

Ref. No. or Q'ty	Part No.	SP Description
R754	1-216-049-00	s METAL, CHIP 1.0K 5% 1/10W (2125)
R755	1-216-049-00	s METAL, CHIP 1.0K 5% 1/10W (2125)
R756	1-216-639-11	s METAL, CHIP 330 0.5% 1/10W (2125)
R757	1-208-774-11	s METAL, CHIP 470 0.5% 1/10W (2125)
R758	1-216-057-00	s METAL, CHIP 2.2K 5% 1/10W (2125)
R759	1-216-639-11	s METAL, CHIP 330 0.5% 1/10W (2125)
R760	1-216-057-00	s METAL, CHIP 2.2K 5% 1/10W (2125)
R761	1-216-049-00	s METAL, CHIP 1.0K 5% 1/10W
R762	1-216-049-00	s METAL, CHIP 1.0K 5% 1/10W
R763	1-216-025-00	s METAL, CHIP 100 5% 1/10W (2125)
R765	1-216-025-00	s METAL, CHIP 100 5% 1/10W
R766	1-216-049-00	s METAL, CHIP 1.0K 5% 1/10W (2125)
R767	1-216-651-11	s METAL, CHIP 1.0K 0.5% 1/10W (2125)
R768	1-216-651-11	s METAL, CHIP 1.0K 0.5% 1/10W (2125)
R769	1-216-049-00	s METAL, CHIP 1.0K 5% 1/10W (2125)
R770	1-216-649-11	s METAL, CHIP 820 0.5% 1/10W (2125)
R771	1-216-649-11	s METAL, CHIP 820 0.5% 1/10W (2125)
R772	1-216-049-00	s METAL, CHIP 1.0K 5% 1/10W (2125)
R773	1-208-774-11	s METAL, CHIP 470 0.5% 1/10W (2125)
R774	1-208-774-11	s METAL, CHIP 470 0.5% 1/10W (2125)
R775	1-216-649-11	s METAL, CHIP 820 0.5% 1/10W (2125)
R777-780	1-216-049-00	s METAL, CHIP 1.0K 5% 1/10W (2125)
R781	1-208-774-11	s METAL, CHIP 470 0.5% 1/10W (2125)
R782	1-216-671-11	s METAL, CHIP 6.8K 0.5% 1/10W (2125)
R783	1-208-774-11	s METAL, CHIP 470 0.5% 1/10W (2125)
R784	1-216-646-11	s METAL, CHIP 620 0.5% 1/10W (2125)
R785	1-216-025-00	s METAL, CHIP 100 5% 1/10W (2125)
R786	1-216-049-00	s METAL, CHIP 1.0K 5% 1/10W (2125)
R787	1-216-025-00	s METAL, CHIP 100 5% 1/10W (2125)
R789	1-216-049-00	s METAL, CHIP 1.0K 5% 1/10W (2125)
R790	1-216-049-00	s METAL, CHIP 1.0K 5% 1/10W (2125)
R791	1-216-041-00	s METAL, CHIP 470 5% 1/10W (2125)
R792	1-208-751-11	s METAL, CHIP 51 0.5% 1/10W (2125)
R793	1-216-033-00	s METAL, CHIP 220 5% 1/10W (2125)
R794	1-216-049-00	s METAL, CHIP 1.0K 5% 1/10W (2125)
R795	1-216-025-00	s METAL, CHIP 100 5% 1/10W
R796	1-216-025-00	s METAL, CHIP 100 5% 1/10W (2125)
R797	1-216-097-00	s METAL, CHIP 100K 5% 1/10W
R798	1-216-073-00	s METAL, CHIP 10K 5% 1/10W
R799	1-216-073-00	s METAL, CHIP 10K 5% 1/10W (2125)
R800	1-216-675-11	s METAL, CHIP 10K 0.5% 1/10W (2125)
R801	1-216-025-00	s METAL, CHIP 100 5% 1/10W (2125)
R802	1-216-656-11	s METAL, CHIP 1.6K 0.5% 1/10W (2125)
R803	1-216-651-11	s METAL, CHIP 1.0K 0.5% 1/10W (2125)
R804	1-216-025-00	s METAL, CHIP 100 5% 1/10W (2125)
R805	1-216-675-11	s METAL, CHIP 10K 0.5% 1/10W (2125)
R806	1-216-073-00	s METAL, CHIP 10K 5% 1/10W
R807	1-216-073-00	s METAL, CHIP 10K 5% 1/10W (2125)
R808	1-216-295-00	s METAL, CHIP 0 (2125)
R900	1-216-097-00	s METAL, CHIP 100K 5% 1/10W (2125)
R901	1-216-675-11	s METAL, CHIP 10K 0.5% 1/10W (2125)
R902	1-216-675-11	s METAL, CHIP 10K 0.5% 1/10W (2125)
R903	1-216-295-00	s METAL, CHIP 0 (2125)
R904	1-216-295-00	s METAL, CHIP 0 (2125)
R905	1-216-073-00	s METAL, CHIP 10K 5% 1/10W (2125)
R906	1-216-073-00	s METAL, CHIP 10K 5% 1/10W (2125)
R907-911	1-216-097-00	s METAL, CHIP 100K 5% 1/10W (2125)

\*c: LOT No. 403 through 502  
\*f: LOT No. 305 or higher  
\*h: LOT No. 403 or higher

Ref. No. or Q'ty	Part No.	SP	Description
R913	1-216-097-00	s	METAL, CHIP 100K 5% 1/10W (2125)
R914	*f 1-216-073-00	s	METAL, CHIP 10K 5% 1/10W (2125)
R915	*h 1-216-097-00	s	METAL, CHIP 100K 5% 1/10W (2125)
R916	*h 1-216-073-00	s	METAL, CHIP 10K 5% 1/10W (2125)
R917	*h 1-216-097-00	s	METAL, CHIP 100K 5% 1/10W (2125)
R920	1-216-097-00	s	METAL, CHIP 100K 5% 1/10W (2125)
R921	1-216-097-00	s	METAL, CHIP 100K 5% 1/10W (2125)
R922	1-216-121-00	s	METAL, CHIP 1.0M 5% 1/10W (2125)
R923-925	1-216-097-00	s	METAL, CHIP 100K 5% 1/10W (2125)
R926	1-216-089-00	s	METAL, CHIP 47K 5% 1/10W (2125)
R927-929	1-216-097-00	s	METAL, CHIP 100K 5% 1/10W (2125)
R930	1-216-049-00	s	METAL, CHIP 1.0K 5% 1/10W (2125)
R931	1-216-079-00	s	METAL, CHIP 18K 5% 1/10W (2125)
R932	1-216-677-11	s	METAL, CHIP 12K 0.5% 1/10W (2125)
R933	1-216-097-00	s	METAL, CHIP 100K 5% 1/10W (2125)
R934	*f 1-216-097-00	s	METAL, CHIP 100K 5% 1/10W (2125)
R935-937	1-216-097-00	s	METAL, CHIP 100K 5% 1/10W (2125)
R938	*7 1-216-073-00	s	METAL, CHIP 10K 5% 1/10W (2125)
R939	*f 1-216-089-00	s	METAL, CHIP 47K 5% 1/10W (2125)
R940	*c 1-216-049-00	s	METAL, CHIP 1.0K 5% 1/10W (2125)
	*3 1-216-634-11	s	METAL, CHIP 200 0.5% 1/10W (2125)
R941	*f 1-216-089-00	s	METAL, CHIP 47K 5% 1/10W (2125)
	*1 1-216-073-00	s	METAL, CHIP 10K 5% 1/10W (2125)
R942	*7 1-216-073-00	s	METAL, CHIP 10K 5% 1/10W (2125)
R943-949	1-216-073-00	s	METAL, CHIP 10K 5% 1/10W (2125)
R950	1-216-097-00	s	METAL, CHIP 100K 5% 1/10W (2125)
R951	1-216-073-00	s	METAL, CHIP 10K 5% 1/10W (2125)
R952	*h 1-216-049-00	s	METAL, CHIP 1.0K 5% 1/10W (2125)
	*3 1-216-025-00	s	METAL, CHIP 100 5% 1/10W (2125)
R953	1-216-025-00	s	METAL, CHIP 100 5% 1/10W (2125)
R954	*h 1-216-049-00	s	METAL, CHIP 1.0K 5% 1/10W (2125)
	*3 1-216-025-00	s	METAL, CHIP 100 5% 1/10W (2125)
R955	*h 1-216-049-00	s	METAL, CHIP 1.0K 5% 1/10W (2125)
	*3 1-216-025-00	s	METAL, CHIP 100 5% 1/10W (2125)
R956	1-216-025-00	s	METAL, CHIP 100 5% 1/10W (2125)
R957	*f 1-216-049-00	s	METAL, CHIP 1.0K 5% 1/10W (2125)
	*1 1-216-057-00	s	METAL, CHIP 2.2K 5% 1/10W (2125)
R958	1-216-041-00	s	METAL, CHIP 470 5% 1/10W (2125)
R959-964	1-216-097-00	s	METAL, CHIP 100K 5% 1/10W (2125)
R965-968	1-216-295-00	s	METAL, CHIP 0 (2125)
R971	1-216-025-00	s	METAL, CHIP 100 5% 1/10W (2125)
R972	*k 1-208-774-11	s	METAL, CHIP 470 0.5% 1/10W (2125)
	*c 1-216-633-11	s	METAL, CHIP 180 0.5% 1/10W (2125)
R974	*k 1-216-641-11	s	METAL, CHIP 390 0.5% 1/10W (2125)
R976	*k 1-216-025-00	s	METAL, CHIP 100 5% 1/10W (2125)
R977	*k 1-216-025-00	s	METAL, CHIP 100 5% 1/10W (2125)
R1201	*h 1-216-073-00	s	METAL, CHIP 10K 5% 1/10W (2125)
R1202	*h 1-216-043-00	s	METAL, CHIP 560 5% 1/10W (2125)
R1203	*h 1-216-049-00	s	METAL, CHIP 1.0K 5% 1/10W (2125)
R1204	*h 1-216-049-00	s	METAL, CHIP 1.0K 5% 1/10W (2125)
RV101	1-237-033-11	s	RES, ADJ, CERMET 1K
RV102	1-237-033-11	s	RES, ADJ, CERMET 1K
RV103	*4 1-237-033-11	s	RES, ADJ, CERMET 1K
RV104	1-237-033-11	s	RES, ADJ, CERMET 1K

Ref. No. or Q'ty	Part No.	SP	Description
RV105	1-237-037-11	s	RES, ADJ, CERMET 20K
RV106	1-237-037-11	s	RES, ADJ, CERMET 20K
RV107	1-237-037-11	s	RES, ADJ, CERMET 20K
RV108	1-237-037-11	s	RES, ADJ, CERMET 20K
RV201	1-237-031-11	s	RES, ADJ, CERMET 200
RV202	1-237-031-11	s	RES, ADJ, CERMET 200
RV203	*3 1-237-037-11	s	RES, ADJ, CERMET 20K
RV204	*3 1-237-037-11	s	RES, ADJ, CERMET 20K
RV205	*h 1-237-037-11	s	RES, ADJ, CERMET 20K
	*3 1-237-036-11	s	RES, ADJ, CERMET 10K
RV211	*h 1-237-034-11	s	RES, ADJ, CERMET 2K
RV212	*h 1-237-034-11	s	RES, ADJ, CERMET 2K
RV301	1-237-033-11	s	RES, ADJ, CERMET 1K
RV302	1-237-033-11	s	RES, ADJ, CERMET 1K
RV303	1-237-033-11	s	RES, ADJ, CERMET 1K
RV304	1-237-033-11	s	RES, ADJ, CERMET 1K
RV305	1-237-037-11	s	RES, ADJ, CERMET 20K
RV306	1-237-037-11	s	RES, ADJ, CERMET 20K
RV307	1-237-037-11	s	RES, ADJ, CERMET 20K
RV308	1-237-037-11	s	RES, ADJ, CERMET 20K
RV401	1-237-031-11	s	RES, ADJ, CERMET 200
RV402	1-237-031-11	s	RES, ADJ, CERMET 200
RV403	*3 1-237-037-11	s	RES, ADJ, CERMET 20K
RV404	*3 1-237-037-11	s	RES, ADJ, CERMET 20K
RV405	*h 1-237-037-11	s	RES, ADJ, CERMET 20K
	*3 1-237-036-11	s	RES, ADJ, CERMET 10K
RV406	*h 1-237-034-11	s	RES, ADJ, CERMET 2K
RV407	*h 1-237-034-11	s	RES, ADJ, CERMET 2K
RV501	1-237-036-11	s	RES, ADJ, CERMET 10K
RV502	1-237-036-11	s	RES, ADJ, CERMET 10K
RV503	1-241-782-21	s	RES, ADJ, CERMET 1K
RV504	1-241-782-21	s	RES, ADJ, CERMET 1K
RV506	1-237-034-11	s	RES, ADJ, CERMET 2K
RV507	1-237-036-11	s	RES, ADJ, CERMET 10K
RV701	1-237-036-11	s	RES, ADJ, CERMET 10K
RV702	1-237-036-11	s	RES, ADJ, CERMET 10K
RV703	1-241-782-21	s	RES, ADJ, CERMET 1K
RV704	1-241-782-21	s	RES, ADJ, CERMET 1K
S101	1-571-275-31	s	SWITCH, SLIDE
S102	1-571-275-31	s	SWITCH, SLIDE
S301	1-571-275-31	s	SWITCH, SLIDE
S302	1-571-275-31	s	SWITCH, SLIDE
S303	*3 1-571-275-31	s	SWITCH, SLIDE
S501	1-571-275-31	s	SWITCH, SLIDE
S901	1-692-535-11	s	SWITCH, DIP 4-CKT
X401	1-579-990-11	s	CRYSTAL 8.0989 MHz
X402	*4 1-579-992-11	s	CRYSTAL 9.6312 MHz
X403	*4 1-579-987-11	s	CRYSTAL 5.9465 MHz
X404	1-579-988-11	s	CRYSTAL 6.6762 MHz
X901	1-579-599-21	s	RESONATOR, CERAMIC 8.38 MHz

-----  
\*1: LOT No. 302 through 304  
\*3: LOT No. 302 through 402  
\*4: LOT No. 302 through 406  
\*7: LOT No. 302 through 502

-----  
\*c: LOT No. 403 through 502  
\*f: LOT No. 305 or higher  
\*h: LOT No. 403 or higher  
\*k: LOT No. 503 or higher

-----  
 DP-176/176B BOARD  
 -----

Ref. No. or Q'ty	Part No.	SP Description
1pc	A-8274-058-A	o MOUNTED CIRCUIT BOARD, DP-176
1pc	3-181-833-02	o SPACER
CN591	1-537-565-12	o WIRE, JUMPER (HIGH WINDING) 23P
D1060	8-719-942-19	s LED LB402VK, RED
D1061	8-719-942-19	s LED LB402VK, RED
D1062	8-719-942-19	s LED LB402VK, RED
D1063	8-719-942-19	s LED LB402VK, RED
S1	1-692-538-11	s SWITCH, PUSH

-----  
 DPR-36 BOARD suffix 14 or higher  
 -----

Ref. No. or Q'ty	Part No.	SP Description
*1:	Board No. suffix 14 only	
*2:	Board No. suffix 15 or higher	
1pc	A-8275-143-B	o MOUNTED CIRCUIT BOARD, DPR-36
1pc	3-171-453-03	o PLATE (L), SHIELD, CARD
1pc	3-171-454-02	o SHEET (L), CARD (PLA)
6pcs	7-682-902-11	s SCREW +PWH 2.6X5 (EP-FE/ZN/CM2)
1pc	3-179-084-01	s LEVER(R), PRINTED C. BOARD
1pc	3-179-085-01	s LEVER(L), PRINTED C. BOARD
C1	1-163-033-91	s CAPACITOR, CERAMIC 0.022MF/50V
C2	1-163-033-91	s CAPACITOR, CERAMIC 0.022MF/50V
C3	1-135-216-11	s CAPACITOR TANTATUM 10MF/10V
C4	1-135-216-11	s CAPACITOR TANTATUM 10MF/10V
C5	1-163-033-91	s CAPACITOR, CERAMIC 0.022MF/50V
C6	1-126-392-11	s CAPACITOR, CHIP ELECT 100MF/6.3V
C7	1-163-033-91	s CAPACITOR, CERAMIC 0.022MF/50V
C8	1-126-392-11	s CAPACITOR, CHIP ELECT 100MF/6.3V
C9	1-163-033-91	s CAPACITOR, CERAMIC 0.022MF/50V
C10	1-163-033-91	s CAPACITOR, CERAMIC 0.022MF/50V
C11	1-163-033-91	s CAPACITOR, CERAMIC 0.022MF/50V
C12	1-163-033-91	s CAPACITOR, CERAMIC 0.022MF/50V
C14	1-163-033-91	s CAPACITOR, CERAMIC 0.022MF/50V
C17	1-163-033-91	s CAPACITOR, CERAMIC 0.022MF/50V
C18	1-163-033-91	s CAPACITOR, CERAMIC 0.022MF/50V
C19	1-163-033-91	s CAPACITOR, CERAMIC 0.022MF/50V
C20	1-163-033-91	s CAPACITOR, CERAMIC 0.022MF/50V
C21	1-163-033-91	s CAPACITOR, CERAMIC 0.022MF/50V
C22	1-163-033-91	s CAPACITOR, CERAMIC 0.022MF/50V
C23	1-163-033-91	s CAPACITOR, CERAMIC 0.022MF/50V
C24	1-163-033-91	s CAPACITOR, CERAMIC 0.022MF/50V
C25	1-163-033-91	s CAPACITOR, CERAMIC 0.022MF/50V
C26	1-163-033-91	s CAPACITOR, CERAMIC 0.022MF/50V
C27	1-163-033-91	s CAPACITOR, CERAMIC 0.022MF/50V
C28	1-163-033-91	s CAPACITOR, CERAMIC 0.022MF/50V
C31	1-163-033-91	s CAPACITOR, CERAMIC 0.022MF/50V
C32	1-163-033-91	s CAPACITOR, CERAMIC 0.022MF/50V
C33	1-135-216-11	s CAPACITOR TANTATUM 10MF/10V
C34	1-135-216-11	s CAPACITOR TANTATUM 10MF/10V
C36	1-163-033-91	s CAPACITOR, CERAMIC 0.022MF/50V
C38	1-163-033-91	s CAPACITOR, CERAMIC 0.022MF/50V
C48	*1 1-163-033-91	s CAPACITOR, CERAMIC 0.022MF/50V
C50	*1 1-163-033-91	s CAPACITOR, CERAMIC 0.022MF/50V
C52	*1 1-163-033-91	s CAPACITOR, CERAMIC 0.022MF/50V
C54	*1 1-163-033-91	s CAPACITOR, CERAMIC 0.022MF/50V
C56	*1 1-163-033-91	s CAPACITOR, CERAMIC 0.022MF/50V
C58	*1 1-163-033-91	s CAPACITOR, CERAMIC 0.022MF/50V
C59	1-163-033-91	s CAPACITOR, CERAMIC 0.022MF/50V
C60	1-163-033-91	s CAPACITOR, CERAMIC 0.022MF/50V
C61	1-163-033-91	s CAPACITOR, CERAMIC 0.022MF/50V
C62	1-163-033-91	s CAPACITOR, CERAMIC 0.022MF/50V
C63	1-163-033-91	s CAPACITOR, CERAMIC 0.022MF/50V
C64	1-163-033-91	s CAPACITOR, CERAMIC 0.022MF/50V
C65	1-163-033-91	s CAPACITOR, CERAMIC 0.022MF/50V
C66	1-163-033-91	s CAPACITOR, CERAMIC 0.022MF/50V
C67	1-163-033-91	s CAPACITOR, CERAMIC 0.022MF/50V
C68	1-163-033-91	s CAPACITOR, CERAMIC 0.022MF/50V
C69	1-163-033-91	s CAPACITOR, CERAMIC 0.022MF/50V
C70	1-163-033-91	s CAPACITOR, CERAMIC 0.022MF/50V
C71	1-135-216-11	s CAPACITOR TANTATUM 10MF/10V



(DPR-36 BOARD suffix 14 or higher)

(DPR-36 BOARD suffix 14 or higher)

Ref. No. or Q'ty	Part No.	SP	Description
C211	1-163-227-11	s	CAPACITOR CERAMIC 10PF/50V(CH)
C212	1-163-227-11	s	CAPACITOR CERAMIC 10PF/50V(CH)
C213	1-163-227-11	s	CAPACITOR CERAMIC 10PF/50V(CH)
C214	1-163-227-11	s	CAPACITOR CERAMIC 10PF/50V(CH)
C215	1-163-227-11	s	CAPACITOR CERAMIC 10PF/50V(CH)
C216	1-163-227-11	s	CAPACITOR CERAMIC 10PF/50V(CH)
C217	1-163-033-91	s	CAPACITOR, CERAMIC 0.022MF/50V
C218	1-135-216-11	s	CAPACITOR TANTATUM 10MF/10V
C219	1-163-033-91	s	CAPACITOR, CERAMIC 0.022MF/50V
C220	1-163-033-91	s	CAPACITOR, CERAMIC 0.022MF/50V
C221	1-163-033-91	s	CAPACITOR, CERAMIC 0.022MF/50V
C222	1-163-033-91	s	CAPACITOR, CERAMIC 0.022MF/50V
C223	1-163-033-91	s	CAPACITOR, CERAMIC 0.022MF/50V
C224	1-163-033-91	s	CAPACITOR, CERAMIC 0.022MF/50V
C225	1-163-033-91	s	CAPACITOR, CERAMIC 0.022MF/50V
C226	1-163-033-91	s	CAPACITOR, CERAMIC 0.022MF/50V
C227	1-163-033-91	s	CAPACITOR, CERAMIC 0.022MF/50V
C228	1-135-216-11	s	CAPACITOR TANTATUM 10MF/10V
C233	1-163-033-91	s	CAPACITOR, CERAMIC 0.022MF/50V
C234	1-163-033-91	s	CAPACITOR, CERAMIC 0.022MF/50V
C235	1-163-033-91	s	CAPACITOR, CERAMIC 0.022MF/50V
C236	1-163-033-91	s	CAPACITOR, CERAMIC 0.022MF/50V
C237	1-163-033-91	s	CAPACITOR, CERAMIC 0.022MF/50V
C238	1-163-033-91	s	CAPACITOR, CERAMIC 0.022MF/50V
C239	1-163-033-91	s	CAPACITOR, CERAMIC 0.022MF/50V
C240	1-163-033-91	s	CAPACITOR, CERAMIC 0.022MF/50V
C241	1-163-033-91	s	CAPACITOR, CERAMIC 0.022MF/50V
C242	1-163-033-91	s	CAPACITOR, CERAMIC 0.022MF/50V
C243	1-163-033-91	s	CAPACITOR, CERAMIC 0.022MF/50V
C244	1-135-216-11	s	CAPACITOR TANTATUM 10MF/10V
C256	1-163-033-91	s	CAPACITOR, CERAMIC 0.022MF/50V
C257	1-163-033-91	s	CAPACITOR, CERAMIC 0.022MF/50V
C258	1-163-033-91	s	CAPACITOR, CERAMIC 0.022MF/50V
C259	1-163-033-91	s	CAPACITOR, CERAMIC 0.022MF/50V
C260	1-126-412-11	s	CAPACITOR,ELECT 220MF/4V(CHIP)
C261	1-126-412-11	s	CAPACITOR,ELECT 220MF/4V(CHIP)
C262	1-126-412-11	s	CAPACITOR,ELECT 220MF/4V(CHIP)
C263	1-126-412-11	s	CAPACITOR,ELECT 220MF/4V(CHIP)
C270	1-163-033-91	s	CAPACITOR, CERAMIC 0.022MF/50V
C271	1-163-033-91	s	CAPACITOR, CERAMIC 0.022MF/50V
C272	1-163-033-91	s	CAPACITOR, CERAMIC 0.022MF/50V
C273	1-163-033-91	s	CAPACITOR, CERAMIC 0.022MF/50V
C274	1-163-033-91	s	CAPACITOR, CERAMIC 0.022MF/50V
C275	1-163-033-91	s	CAPACITOR, CERAMIC 0.022MF/50V
C276	1-163-033-91	s	CAPACITOR, CERAMIC 0.022MF/50V
C604	1-126-392-11	s	CAPACITOR,CHIP ELECT100MF/6.3V
C701	1-163-033-91	s	CAPACITOR, CERAMIC 0.022MF/50V
C705	1-163-033-91	s	CAPACITOR, CERAMIC 0.022MF/50V
C706	1-163-033-91	s	CAPACITOR, CERAMIC 0.022MF/50V
C707	1-163-033-91	s	CAPACITOR, CERAMIC 0.022MF/50V
C708	1-163-033-91	s	CAPACITOR, CERAMIC 0.022MF/50V
C709	1-163-033-91	s	CAPACITOR, CERAMIC 0.022MF/50V
C710	1-163-033-91	s	CAPACITOR, CERAMIC 0.022MF/50V
C711	1-163-033-91	s	CAPACITOR, CERAMIC 0.022MF/50V
C712	1-163-033-91	s	CAPACITOR, CERAMIC 0.022MF/50V
C713	1-163-033-91	s	CAPACITOR, CERAMIC 0.022MF/50V
C714	1-163-033-91	s	CAPACITOR, CERAMIC 0.022MF/50V
C718	1-163-241-11	s	CAPACITOR CERAMIC 39PF/50(2012)
C719	1-163-009-11	s	CAPACITOR,CERAMIC 1000PF/50V

Ref. No. or Q'ty	Part No.	SP	Description
C900	1-163-033-91	s	CAPACITOR, CERAMIC 0.022MF/50V
C901	1-163-033-91	s	CAPACITOR, CERAMIC 0.022MF/50V
C902	1-163-033-91	s	CAPACITOR, CERAMIC 0.022MF/50V
C903	1-163-033-91	s	CAPACITOR, CERAMIC 0.022MF/50V
C905	1-163-033-91	s	CAPACITOR, CERAMIC 0.022MF/50V
C906	1-126-392-11	s	CAPACITOR,CHIP ELECT100MF/6.3V
C917	1-163-033-91	s	CAPACITOR, CERAMIC 0.022MF/50V
C918	1-163-033-91	s	CAPACITOR, CERAMIC 0.022MF/50V
C921	1-135-216-11	s	CAPACITOR TANTATUM 10MF/10V
C922	1-163-033-91	s	CAPACITOR, CERAMIC 0.022MF/50V
C923	1-163-033-91	s	CAPACITOR, CERAMIC 0.022MF/50V
C924	1-163-033-91	s	CAPACITOR, CERAMIC 0.022MF/50V
C938	1-163-033-91	s	CAPACITOR, CERAMIC 0.022MF/50V
C941	1-163-033-91	s	CAPACITOR, CERAMIC 0.022MF/50V
C942	1-163-033-91	s	CAPACITOR, CERAMIC 0.022MF/50V
C945	1-163-033-91	s	CAPACITOR, CERAMIC 0.022MF/50V
C950	1-135-216-11	s	CAPACITOR TANTATUM 10MF/10V
C951	1-163-033-91	s	CAPACITOR, CERAMIC 0.022MF/50V
C1000	*1 1-163-241-11	s	CAPACITOR CERAMIC 39PF/50(2012)
C1001	*1 1-163-241-11	s	CAPACITOR CERAMIC 39PF/50(2012)
C1002	*1 1-163-241-11	s	CAPACITOR CERAMIC 39PF/50(2012)
C1003	*1 1-163-241-11	s	CAPACITOR CERAMIC 39PF/50(2012)
C1004	*1 1-163-241-11	s	CAPACITOR CERAMIC 39PF/50(2012)
C1005	*1 1-163-241-11	s	CAPACITOR CERAMIC 39PF/50(2012)
C1006	*1 1-163-241-11	s	CAPACITOR CERAMIC 39PF/50(2012)
C1007	*1 1-163-241-11	s	CAPACITOR CERAMIC 39PF/50(2012)
C1100	*2 1-163-241-11	s	CAPACITOR CERAMIC 39PF/50(2012)
C1101	*2 1-163-033-91	s	CAPACITOR, CERAMIC 0.022MF/50V
C1102	*2 1-163-033-91	s	CAPACITOR, CERAMIC 0.022MF/50V
C1103	*2 1-163-033-91	s	CAPACITOR, CERAMIC 0.022MF/50V
C1104	*2 1-163-033-91	s	CAPACITOR, CERAMIC 0.022MF/50V
C1105	*2 1-163-033-91	s	CAPACITOR, CERAMIC 0.022MF/50V
C1106	*2 1-163-033-91	s	CAPACITOR, CERAMIC 0.022MF/50V
C1107	*2 1-163-241-11	s	CAPACITOR CERAMIC 39PF/50(2012)
C1108	*2 1-163-033-91	s	CAPACITOR, CERAMIC 0.022MF/50V
C1109	*2 1-163-033-91	s	CAPACITOR, CERAMIC 0.022MF/50V
C1110	*2 1-163-033-91	s	CAPACITOR, CERAMIC 0.022MF/50V
C1111	*2 1-163-033-91	s	CAPACITOR, CERAMIC 0.022MF/50V
C1112	*2 1-163-033-91	s	CAPACITOR, CERAMIC 0.022MF/50V
C1113	*2 1-163-033-91	s	CAPACITOR, CERAMIC 0.022MF/50V
CN116	1-573-600-21	s	CONNECTOR, PC BOARD (PLUG)100P
CN117	1-573-600-21	s	CONNECTOR, PC BOARD (PLUG)100P
CN118	1-573-600-21	s	CONNECTOR, PC BOARD (PLUG)100P
CN1001	1-750-667-11	s	CONNECTOR, BOARD TO BOARD 100P
FL1	1-239-898-22	s	FILTER, EMI (SMD)
FL3	1-239-898-22	s	FILTER, EMI (SMD)
FL4	1-239-898-22	s	FILTER, EMI (SMD)
FL5	1-239-898-22	s	FILTER, EMI (SMD)
FL6	1-239-898-22	s	FILTER, EMI (SMD)
FL7	1-239-898-22	s	FILTER, EMI (SMD)
FL8	1-239-898-22	s	FILTER, EMI (SMD)
FL9	1-239-898-22	s	FILTER, EMI (SMD)
FL10	1-239-898-22	s	FILTER, EMI (SMD)
FL11	1-239-898-22	s	FILTER, EMI (SMD)
FL12	1-239-898-22	s	FILTER, EMI (SMD)
FL13	1-239-898-22	s	FILTER, EMI (SMD)
FL14	1-239-898-22	s	FILTER, EMI (SMD)
FL15	1-239-898-22	s	FILTER, EMI (SMD)
FL16	1-239-898-22	s	FILTER, EMI (SMD)



(DPR-36 BOARD suffix 14 or higher)

Ref. No. or Q'ty	Part No.	SP	Description
FL17	1-239-898-22	s	FILTER, EMI (SMD)
FL18	1-239-898-22	s	FILTER, EMI (SMD)
FL21	1-239-898-22	s	FILTER, EMI (SMD)
FL22	1-239-898-22	s	FILTER, EMI (SMD)
FL23	1-239-898-22	s	FILTER, EMI (SMD)
FL24	1-239-898-22	s	FILTER, EMI (SMD)
FL25	1-239-898-22	s	FILTER, EMI (SMD)
FL26	1-239-898-22	s	FILTER, EMI (SMD)
FL27	1-239-898-22	s	FILTER, EMI (SMD)
FL28	1-239-898-22	s	FILTER, EMI (SMD)
FL29	1-239-898-22	s	FILTER, EMI (SMD)
FL30	1-239-898-22	s	FILTER, EMI (SMD)
FL31	1-239-898-22	s	FILTER, EMI (SMD)
FL32	1-239-898-22	s	FILTER, EMI (SMD)
FL33	1-239-898-22	s	FILTER, EMI (SMD)
FL34	1-239-898-22	s	FILTER, EMI (SMD)
FL35	1-239-898-22	s	FILTER, EMI (SMD)
FL36	1-239-898-22	s	FILTER, EMI (SMD)
IC1	8-759-548-77	s	IC SN74LV245ANSR
IC2	8-759-926-49	s	IC SN74HC245ANS
IC4	8-759-175-27	s	IC TC74VHC574F
IC5	8-759-175-27	s	IC TC74VHC574F
IC6	8-759-177-72	s	IC CXD8806R
IC7	8-759-475-22	s	IC TC74LCX245F(EL)
IC8	8-759-475-22	s	IC TC74LCX245F(EL)
IC21	6-700-420-01	s	IC CY7C1019BV33-15VCT
IC22	6-700-420-01	s	IC CY7C1019BV33-15VCT
IC23	6-700-420-01	s	IC CY7C1019BV33-15VCT
IC24	6-700-420-01	s	IC CY7C1019BV33-15VCT
IC25	8-759-548-77	s	IC SN74LV245ANSR
IC26	8-759-548-77	s	IC SN74LV245ANSR
IC27	8-759-548-77	s	IC SN74LV245ANSR
IC28	8-759-548-77	s	IC SN74LV245ANSR
IC29	8-759-325-89	s	IC CXD8928R
IC30	6-700-420-01	s	IC CY7C1019BV33-15VCT
IC31	6-700-420-01	s	IC CY7C1019BV33-15VCT
IC33	6-700-420-01	s	IC CY7C1019BV33-15VCT
IC34	6-700-420-01	s	IC CY7C1019BV33-15VCT
IC35	8-759-325-88	s	IC CXD8929R
IC38	8-759-325-89	s	IC CXD8928R
IC39	6-700-420-01	s	IC CY7C1019BV33-15VCT
IC40	6-700-420-01	s	IC CY7C1019BV33-15VCT
IC42	6-700-420-01	s	IC CY7C1019BV33-15VCT
IC43	6-700-420-01	s	IC CY7C1019BV33-15VCT
IC44	8-759-325-88	s	IC CXD8929R
IC45	8-759-199-86	s	IC CXD8807BR
IC46	8-759-475-29	s	IC TC74LCX574F(EL)
IC47	8-759-475-29	s	IC TC74LCX574F(EL)
IC63	8-752-359-55	s	IC CXK48324R
IC64	8-752-359-55	s	IC CXK48324R
IC65	8-752-359-55	s	IC CXK48324R
IC66	8-752-359-55	s	IC CXK48324R
IC67	8-752-359-55	s	IC CXK48324R
IC68	8-759-548-77	s	IC SN74LV245ANSR
IC69	8-759-177-76	s	IC CXD8811AQ
IC72	8-759-475-22	s	IC TC74LCX245F(EL)
IC73	8-759-177-77	s	IC CXD8824AQ
IC74	6-700-420-01	s	IC CY7C1019BV33-15VCT

(DPR-36 BOARD suffix 14 or higher)

Ref. No. or Q'ty	Part No.	SP	Description
IC75	8-759-475-22	s	IC TC74LCX245F(EL)
IC76	6-700-420-01	s	IC CY7C1019BV33-15VCT
IC77	6-700-420-01	s	IC CY7C1019BV33-15VCT
IC78	6-700-420-01	s	IC CY7C1019BV33-15VCT
IC79	6-700-420-01	s	IC CY7C1019BV33-15VCT
IC500	8-759-081-42	s	IC TC74VHC00F
IC501	8-759-673-54	s	IC MM74HC74ASJX
IC502	8-759-672-86	s	IC MM74HC157SJX
IC701	8-759-673-54	s	IC MM74HC74ASJX
IC705	8-759-196-73	s	IC UPD485505G-25
IC706	8-759-673-54	s	IC MM74HC74ASJX
IC707	8-759-673-36	s	IC MM74HC00SJX
IC708	8-759-673-54	s	IC MM74HC74ASJX
IC709	8-759-926-74	s	IC SN74HC393ANS
IC710	8-759-673-45	s	IC MM74HC08SJX
IC711	8-759-673-36	s	IC MM74HC00SJX
IC712	8-759-673-36	s	IC MM74HC00SJX
IC713	8-759-926-98	s	IC SN74HC404OANS
IC714	8-759-232-52	s	IC TC74HC133AF
IC900	8-759-475-19	s	IC TC74LCX157F(EL)
IC901	8-759-186-30	s	IC TC74VHC14F
IC902	6-700-594-01	s	IC CY7C1021BV33-15VCT
IC905	8-759-188-02	s	IC CXD8854Q
IC906	8-759-186-15	s	IC TC74VHC540F(EL)
IC907	8-759-548-77	s	IC SN74LV245ANSR
IC910	8-759-548-77	s	IC SN74LV245ANSR
IC911	8-759-253-97	s	IC CXD8859AQ
IC914	8-759-186-30	s	IC TC74VHC14F
IC915	8-759-186-63	s	IC TC74VHC245F
IC920	8-759-674-09	s	IC MM74HCT04SJX
IC1100*2	6-703-666-01	s	IC CY7C1049BV33-15VCT
IC1101*2	6-703-666-01	s	IC CY7C1049BV33-15VCT
IC1102*2	6-703-666-01	s	IC CY7C1049BV33-15VCT
IC1103*2	6-703-666-01	s	IC CY7C1049BV33-15VCT
IC1104*2	6-703-666-01	s	IC CY7C1049BV33-15VCT
IC1105*2	6-703-666-01	s	IC CY7C1049BV33-15VCT
L1	1-410-803-11	s	CHIP INDUCTOR 0.047UH (3225)
L2	1-410-803-11	s	CHIP INDUCTOR 0.047UH (3225)
L3	1-424-643-11	s	COIL, CHOKE 10UH
L4	1-424-643-11	s	COIL, CHOKE 10UH
L5	1-424-643-11	s	COIL, CHOKE 10UH
L6	1-424-643-11	s	COIL, CHOKE 10UH
L8	1-424-643-11	s	COIL, CHOKE 10UH
L10	1-410-803-11	s	CHIP INDUCTOR 0.047UH (3225)
L11	1-410-803-11	s	CHIP INDUCTOR 0.047UH (3225)
L12	1-410-803-11	s	CHIP INDUCTOR 0.047UH (3225)
L13	1-410-803-11	s	CHIP INDUCTOR 0.047UH (3225)
L14	1-410-803-11	s	CHIP INDUCTOR 0.047UH (3225)
L15	1-410-803-11	s	CHIP INDUCTOR 0.047UH (3225)
L16	1-410-803-11	s	CHIP INDUCTOR 0.047UH (3225)
L19	1-410-803-11	s	CHIP INDUCTOR 0.047UH (3225)
L20	1-410-803-11	s	CHIP INDUCTOR 0.047UH (3225)
L900	1-424-643-11	s	COIL, CHOKE 10UH
L901	1-410-803-11	s	CHIP INDUCTOR 0.047UH (3225)
L915	1-410-803-11	s	CHIP INDUCTOR 0.047UH (3225)
PS1	△ 1-533-272-11	s	FUSE, CHIP 4A (6125)
PS2	△ 1-533-272-11	s	FUSE, CHIP 4A (6125)
PS3	△ 1-533-272-11	s	FUSE, CHIP 4A (6125)

(DPR-36 BOARD suffix 14 or higher)

Ref. No. or Q'ty	Part No.	SP	Description
PS4	△ 1-533-272-11	s	FUSE, CHIP 4A (6125)
PS5	△ 1-533-272-11	s	FUSE, CHIP 4A (6125)
PS6	△ 1-533-272-11	s	FUSE, CHIP 4A (6125)
R1	1-216-033-00	s	RESISTOR,CHIP 220 1/10W(2012)
R2	1-216-295-91	s	RESISTOR, CHIP 0 (1/10W)
R3	1-216-033-00	s	RESISTOR,CHIP 220 1/10W(2012)
R4	1-216-295-91	s	RESISTOR, CHIP 0 (1/10W)
R5	1-216-033-00	s	RESISTOR,CHIP 220 1/10W(2012)
R6	1-216-033-00	s	RESISTOR,CHIP 220 1/10W(2012)
R7	1-216-295-91	s	RESISTOR, CHIP 0 (1/10W)
R8	1-216-033-00	s	RESISTOR,CHIP 220 1/10W(2012)
R9	1-216-295-91	s	RESISTOR, CHIP 0 (1/10W)
R10	1-216-033-00	s	RESISTOR,CHIP 220 1/10W(2012)
R11	1-216-295-91	s	RESISTOR, CHIP 0 (1/10W)
R12	1-216-033-00	s	RESISTOR,CHIP 220 1/10W(2012)
R13	1-216-033-00	s	RESISTOR,CHIP 220 1/10W(2012)
R14	1-216-295-91	s	RESISTOR, CHIP 0 (1/10W)
R15	1-216-033-00	s	RESISTOR,CHIP 220 1/10W(2012)
R16	1-216-295-91	s	RESISTOR, CHIP 0 (1/10W)
R17	1-216-033-00	s	RESISTOR,CHIP 220 1/10W(2012)
R18	1-216-033-00	s	RESISTOR,CHIP 220 1/10W(2012)
R19	1-216-033-00	s	RESISTOR,CHIP 220 1/10W(2012)
R21	1-216-295-91	s	RESISTOR, CHIP 0 (1/10W)
R23	1-216-295-91	s	RESISTOR, CHIP 0 (1/10W)
R81	1-216-049-91	s	RESISTOR,CHIP 1K 1/10W(2125)
R83	1-216-049-91	s	RESISTOR,CHIP 1K 1/10W(2125)
R84	1-216-049-91	s	RESISTOR,CHIP 1K 1/10W(2125)
R90	1-216-295-91	s	RESISTOR, CHIP 0 (1/10W)
R201	1-216-049-91	s	RESISTOR,CHIP 1K 1/10W(2125)
R315	1-216-049-91	s	RESISTOR,CHIP 1K 1/10W(2125)
R334	1-216-049-91	s	RESISTOR,CHIP 1K 1/10W(2125)
R389	1-216-033-00	s	RESISTOR,CHIP 220 1/10W(2012)
R390	1-216-049-91	s	RESISTOR,CHIP 1K 1/10W(2125)
R391	1-216-049-91	s	RESISTOR,CHIP 1K 1/10W(2125)
R906	1-216-049-91	s	RESISTOR,CHIP 1K 1/10W(2125)
R911	1-216-295-91	s	RESISTOR, CHIP 0 (1/10W)
R912	1-216-295-91	s	RESISTOR, CHIP 0 (1/10W)
R954	1-216-033-00	s	RESISTOR,CHIP 220 1/10W(2012)
R964	1-216-033-00	s	RESISTOR,CHIP 220 1/10W(2012)
R966	1-216-033-00	s	RESISTOR,CHIP 220 1/10W(2012)
R971	1-216-295-91	s	RESISTOR, CHIP 0 (1/10W)
R973	1-216-295-91	s	RESISTOR, CHIP 0 (1/10W)
R974	1-216-033-00	s	RESISTOR,CHIP 220 1/10W(2012)
R975	1-216-295-91	s	RESISTOR, CHIP 0 (1/10W)
R977	1-216-295-91	s	RESISTOR, CHIP 0 (1/10W)
R979	1-216-295-91	s	RESISTOR, CHIP 0 (1/10W)
R980	1-216-033-00	s	RESISTOR,CHIP 220 1/10W(2012)
R990	1-216-073-00	s	RESISTOR,CHIP 10K 1/10W(2012)
R991	1-216-295-91	s	RESISTOR, CHIP 0 (1/10W)
R992	1-216-295-91	s	RESISTOR, CHIP 0 (1/10W)
R994	1-216-295-91	s	RESISTOR, CHIP 0 (1/10W)
R995	1-216-295-91	s	RESISTOR, CHIP 0 (1/10W)
R998	1-216-295-91	s	RESISTOR, CHIP 0 (1/10W)
RB1	1-239-628-11	s	RESISTOR NETWORK (CHIP TYPE)
RB2	1-239-628-11	s	RESISTOR NETWORK (CHIP TYPE)
RB3	*1 1-236-904-11	s	RESISTOR NETWORK 1K (1608)
RB4	1-239-628-11	s	RESISTOR NETWORK (CHIP TYPE)
RB5	1-239-628-11	s	RESISTOR NETWORK (CHIP TYPE)

(DPR-36 BOARD suffix 14 or higher)

Ref. No. or Q'ty	Part No.	SP	Description
RB6	1-239-628-11	s	RESISTOR NETWORK (CHIP TYPE)
RB7	1-239-628-11	s	RESISTOR NETWORK (CHIP TYPE)
RB8	*1 1-236-904-11	s	RESISTOR NETWORK 1K (1608)
RB9	1-236-904-11	s	RESISTOR NETWORK 1K (1608)
RB10	1-236-904-11	s	RESISTOR NETWORK 1K (1608)
RB11	1-236-904-11	s	RESISTOR NETWORK 1K (1608)
RB12	1-236-904-11	s	RESISTOR NETWORK 1K (1608)
RB13	1-236-904-11	s	RESISTOR NETWORK 1K (1608)
RB14	1-236-904-11	s	RESISTOR NETWORK 1K (1608)
RB15	1-236-904-11	s	RESISTOR NETWORK 1K (1608)
RB16	1-236-904-11	s	RESISTOR NETWORK 1K (1608)
RB17	1-236-904-11	s	RESISTOR NETWORK 1K (1608)
RB18	1-236-904-11	s	RESISTOR NETWORK 1K (1608)
RB19	1-236-904-11	s	RESISTOR NETWORK 1K (1608)
RB20	1-236-904-11	s	RESISTOR NETWORK 1K (1608)
RB21	1-236-904-11	s	RESISTOR NETWORK 1K (1608)
RB22	1-236-904-11	s	RESISTOR NETWORK 1K (1608)
RB23	1-236-904-11	s	RESISTOR NETWORK 1K (1608)
RB24	1-236-904-11	s	RESISTOR NETWORK 1K (1608)
RB25	1-236-904-11	s	RESISTOR NETWORK 1K (1608)
RB101	1-236-904-11	s	RESISTOR NETWORK 1K (1608)
RB102	1-236-904-11	s	RESISTOR NETWORK 1K (1608)
RB103	1-236-904-11	s	RESISTOR NETWORK 1K (1608)
RB104	1-236-904-11	s	RESISTOR NETWORK 1K (1608)
RB903	1-239-711-11	s	NETWORK, RESISTOR 0 (1608)
RB904	1-236-904-11	s	RESISTOR NETWORK 1K (1608)
RB905	1-236-904-11	s	RESISTOR NETWORK 1K (1608)
RB906	1-239-711-11	s	NETWORK, RESISTOR 0 (1608)
RB907	1-239-412-11	s	NETWORK, RESISTOR 100 (1608)
RB910	1-236-904-11	s	RESISTOR NETWORK 1K (1608)
RB1100*2	1-236-904-11	s	RESISTOR NETWORK 1K (1608)
RB1101*2	1-236-904-11	s	RESISTOR NETWORK 1K (1608)

-----  
DPR-36 BOARD suffix 11 through 13  
-----

Ref. No. or Q'ty	Part No.	SP	Description
1pc	A-8275-085-B	o	MOUNTED CURCUIT BOARD, DPR-36P (For Europa model)
	A-8275-274-B	o	MOUNTED CIRCUIT BOARD, DPR-36PG (For USA and Canada models)
1pc	3-171-453-03	o	PLATE (L), SHIELD, CARD
1pc	3-171-454-02	o	SHEET (L), CARD
1pc	7-682-902-11	s	SCREW +PWH 2.6x5
1pc	3-179-084-01	s	LEVER (R), PC BOARD
1pc	3-179-085-01	s	LEVER (L), PC BOARD
C1	1-163-033-00	s	CERAMIC, CHIP 0.022uF 50V (2125)
C2	1-163-033-00	s	CERAMIC, CHIP 0.022uF 50V (2125)
C3	1-135-216-11	s	TANTALUM, CHIP 10uF 20% 10V
C4	1-135-216-11	s	TANTALUM, CHIP 10uF 20% 10V
C5	1-163-033-00	s	CERAMIC, CHIP 0.022uF 50V (2125)
C6	*5 1-126-392-11	s	ELECT, CHIP 100uF 20% 6.3V
	*3 1-126-412-11	s	ELECT 220uF 20% 4V
C7	1-163-033-00	s	CERAMIC, CHIP 0.022uF 50V (2125)
C8	*5 1-126-392-11	s	ELECT, CHIP 100uF 20% 6.3V
	*3 1-126-412-11	s	ELECT 220uF 20% 4V
C9-12	1-163-033-00	s	CERAMIC, CHIP 0.022uF 50V (2125)
C14	1-163-033-00	s	CERAMIC, CHIP 0.022uF 50V (2125)
C15	*3 1-163-033-00	s	CERAMIC, CHIP 0.022uF 50V (2125)
C17-28	1-163-033-00	s	CERAMIC, CHIP 0.022uF 50V (2125)
C29	*1 1-163-227-11	s	CERAMIC, CHIP 10pF 5% 50V (2125)
C30	*1 1-163-227-11	s	CERAMIC, CHIP 10pF 5% 50V (2125)
C31	1-163-033-00	s	CERAMIC, CHIP 0.022uF 50V (2125)
C32	1-163-033-00	s	CERAMIC, CHIP 0.022uF 50V (2125)
C33	1-135-216-11	s	TANTALUM, CHIP 10uF 20% 10V
C34	1-135-216-11	s	TANTALUM, CHIP 10uF 20% 10V
C35	*3 1-163-033-00	s	CERAMIC, CHIP 0.022uF 50V (2125)
C36	1-163-033-00	s	CERAMIC, CHIP 0.022uF 50V (2125)
C37	*3 1-163-033-00	s	CERAMIC, CHIP 0.022uF 50V (2125)
C38	1-163-033-00	s	CERAMIC, CHIP 0.022uF 50V (2125)
C39	*3 1-163-033-00	s	CERAMIC, CHIP 0.022uF 50V (2125)
C42	*3 1-163-033-00	s	CERAMIC, CHIP 0.022uF 50V (2125)
C44	*3 1-163-033-00	s	CERAMIC, CHIP 0.022uF 50V (2125)
C46	*3 1-163-033-00	s	CERAMIC, CHIP 0.022uF 50V (2125)
C48	1-163-033-00	s	CERAMIC, CHIP 0.022uF 50V (2125)
C50	1-163-033-00	s	CERAMIC, CHIP 0.022uF 50V (2125)
C52	1-163-033-00	s	CERAMIC, CHIP 0.022uF 50V (2125)
C54	1-163-033-00	s	CERAMIC, CHIP 0.022uF 50V (2125)
C56	1-163-033-00	s	CERAMIC, CHIP 0.022uF 50V (2125)
C58-70	1-163-033-00	s	CERAMIC, CHIP 0.022uF 50V (2125)
C71-74	1-135-216-11	s	TANTALUM, CHIP 10uF 20% 10V
C75-115	1-163-033-00	s	CERAMIC, CHIP 0.022uF 50V (2125)
C117-160	1-163-033-00	s	CERAMIC, CHIP 0.022uF 50V (2125)
C165	*1 1-163-033-00	s	CERAMIC, CHIP 0.022uF 50V (2125)
C166	*1 1-163-033-00	s	CERAMIC, CHIP 0.022uF 50V (2125)
C167	*3 1-163-033-00	s	CERAMIC, CHIP 0.022uF 50V (2125)
C169	*3 1-163-033-00	s	CERAMIC, CHIP 0.022uF 50V (2125)
C171	*3 1-163-033-00	s	CERAMIC, CHIP 0.022uF 50V (2125)
C173	*3 1-163-033-00	s	CERAMIC, CHIP 0.022uF 50V (2125)
C175	*3 1-163-033-00	s	CERAMIC, CHIP 0.022uF 50V (2125)
C177	*3 1-163-033-00	s	CERAMIC, CHIP 0.022uF 50V (2125)
C180	1-163-033-00	s	CERAMIC, CHIP 0.022uF 50V (2125)

-----  
\*1: Board No. suffix 11 only  
\*3: Board No. suffix 11 or 12  
\*5: Board No. suffix 13 or higher  
-----

(DPR-36 BOARD suffix 11 through 13)

Ref. No. or Q'ty	Part No.	SP	Description
C182	1-163-033-00	s	CERAMIC, CHIP 0.022uF 50V (2125)
C184	1-163-033-00	s	CERAMIC, CHIP 0.022uF 50V (2125)
C186	1-163-033-00	s	CERAMIC, CHIP 0.022uF 50V (2125)
C188	1-163-033-00	s	CERAMIC, CHIP 0.022uF 50V (2125)
C190-210	1-163-033-00	s	CERAMIC, CHIP 0.022uF 50V (2125)
C211-216	1-163-227-11	s	CERAMIC, CHIP 10pF 5% 50V (2125)
C217	1-163-033-00	s	CERAMIC, CHIP 0.022uF 50V (2125)
C218	1-135-216-11	s	TANTALUM, CHIP 10uF 20% 10V
C219-227	1-163-033-00	s	CERAMIC, CHIP 0.022uF 50V (2125)
C228	1-135-216-11	s	TANTALUM, CHIP 10uF 20% 10V
C229	*7 1-163-033-00	s	CERAMIC, CHIP 0.022uF 50V (2125)
C230	*7 1-163-033-00	s	CERAMIC, CHIP 0.022uF 50V (2125)
C231	*7 1-163-033-00	s	CERAMIC, CHIP 0.022uF 50V (2125)
C232	*7 1-163-033-00	s	CERAMIC, CHIP 0.022uF 50V (2125)
C233-243	1-163-033-00	s	CERAMIC, CHIP 0.022uF 50V (2125)
C244	1-135-216-11	s	TANTALUM, CHIP 10uF 20% 10V
C256-259	1-163-033-00	s	CERAMIC, CHIP 0.022uF 50V (2125)
C260-263	1-126-412-11	s	ELECT 220uF 20% 4V
C270-276	1-163-033-00	s	CERAMIC, CHIP 0.022uF 50V (2125)
C604	*5 1-126-392-11	s	ELECT, CHIP 100uF 20% 6.3V
	*3 1-126-412-11	s	ELECT 220uF 20% 4V
C701	*4 1-163-033-00	s	CERAMIC, CHIP 0.022uF 50V (2125)
C703	*2 1-163-033-00	s	CERAMIC, CHIP 0.022uF 50V (2125)
C704	*2 1-163-033-00	s	CERAMIC, CHIP 0.022uF 50V (2125)
C705-714	*4 1-163-033-00	s	CERAMIC, CHIP 0.022uF 50V (2125)
C716	*2 1-163-033-00	s	CERAMIC, CHIP 0.022uF 50V (2125)
C717	*2 1-135-157-21	s	TANTALUM, CHIP 10uF 10% 6.3V
C718	*5 1-163-241-11	s	CERAMIC, CHIP 39pF 5% 50V (2125)
	*3 1-162-213-31	s	CERAMIC 39pF 5% 50V
C719	*5 1-163-009-11	s	CERAMIC, CHIP 0.001uF 10% 50V
	*3 1-102-074-00	s	CERAMIC 1000pF 10% 50V
C900	1-163-033-00	s	CERAMIC, CHIP 0.022uF 50V (2125)
C901	*9 1-163-033-00	s	CERAMIC, CHIP 0.022uF 50V (2125)
C902	*9 1-163-033-00	s	CERAMIC, CHIP 0.022uF 50V (2125)
C903	1-163-033-00	s	CERAMIC, CHIP 0.022uF 50V (2125)
C904	*3 1-163-033-00	s	CERAMIC, CHIP 0.022uF 50V (2125)
C905	1-163-033-00	s	CERAMIC, CHIP 0.022uF 50V (2125)
C906	1-126-392-11	s	ELECT, CHIP 100uF 20% 6.3V
C907-916	*3 1-163-033-00	s	CERAMIC, CHIP 0.022uF 50V (2125)
C917	1-163-033-00	s	CERAMIC, CHIP 0.022uF 50V (2125)
C918	1-163-033-00	s	CERAMIC, CHIP 0.022uF 50V (2125)
C919	*3 1-126-412-11	s	ELECT 220uF 20% 4V
C920	*3 1-126-412-11	s	ELECT 220uF 20% 4V
C921	1-135-216-11	s	TANTALUM, CHIP 10uF 20% 10V
C922	1-163-033-00	s	CERAMIC, CHIP 0.022uF 50V (2125)
C923	1-163-033-00	s	CERAMIC, CHIP 0.022uF 50V (2125)
C924	*5 1-163-033-00	s	CERAMIC, CHIP 0.022uF 50V (2125)
C926	*3 1-163-033-00	s	CERAMIC, CHIP 0.022uF 50V (2125)
C927	*3 1-163-033-00	s	CERAMIC, CHIP 0.022uF 50V (2125)
C928	*3 1-163-033-00	s	CERAMIC, CHIP 0.022uF 50V (2125)
C929	*3 1-163-033-00	s	CERAMIC, CHIP 0.022uF 50V (2125)
C932	*3 1-163-033-00	s	CERAMIC, CHIP 0.022uF 50V (2125)
C933	*3 1-163-033-00	s	CERAMIC, CHIP 0.022uF 50V (2125)
C936	1-163-033-00	s	CERAMIC, CHIP 0.022uF 50V (2125)

-----  
 \*2: Board No. suffix 12 only  
 \*3: Board No. suffix 11 or 12  
 \*4: Board No. suffix 12 or higher  
 \*5: Board No. suffix 13 or higher

(DPR-36 BOARD suffix 11 through 13)

Ref. No. or Q'ty	Part No.	SP	Description
C937	1-163-033-00	s	CERAMIC, CHIP 0.022uF 50V (2125)
C938	1-163-033-00	s	CERAMIC, CHIP 0.022uF 50V (2125)
C939	*8 1-163-033-00	s	CERAMIC, CHIP 0.022uF 50V (2125)
C940	*8 1-163-033-00	s	CERAMIC, CHIP 0.022uF 50V (2125)
C941	1-163-033-00	s	CERAMIC, CHIP 0.022uF 50V (2125)
C942	1-163-033-00	s	CERAMIC, CHIP 0.022uF 50V (2125)
C943	*8 1-163-033-00	s	CERAMIC, CHIP 0.022uF 50V (2125)
C944	*8 1-163-033-00	s	CERAMIC, CHIP 0.022uF 50V (2125)
C945	1-163-033-00	s	CERAMIC, CHIP 0.022uF 50V (2125)
C950	*5 1-135-216-11	s	TANTALUM, CHIP 10uF 20% 10V
C951	*5 1-163-033-00	s	CERAMIC, CHIP 0.022uF 50V (2125)
C1000-1007			
	*5 1-163-241-11	s	CERAMIC, CHIP 39pF 5% 50V (2125)
	*3 1-162-213-31	s	CERAMIC 39pF 5% 50V
CN116	1-573-600-21	s	CONNECTOR, PHEC 100P, MALE
CN117	1-573-600-21	s	CONNECTOR, PHEC 100P, MALE
CN118	1-573-600-21	s	CONNECTOR, PHEC 100P, MALE
CN1001	1-750-667-11	s	CONNECTOR, B-B 100P
D701	*2 8-719-800-76	s	DIODE 1SS226
FL1	1-239-719-11	s	FILTER, NOISE, CHIP
FL2	*3 1-239-719-11	s	FILTER, NOISE, CHIP
FL3-18	1-239-719-11	s	FILTER, NOISE, CHIP
FL19	*3 1-239-719-11	s	FILTER, NOISE, CHIP
FL20	*3 1-239-719-11	s	FILTER, NOISE, CHIP
FL21-36	1-239-719-11	s	FILTER, NOISE, CHIP
IC1	8-759-548-77	s	IC SN74LV245ANSR
IC2	8-759-926-49	s	IC SN74HC245ANS
IC4	8-759-985-84	s	IC 74AC574SJ
IC5	8-759-985-84	s	IC 74AC574SJ
IC6	8-759-177-72	s	IC CXD8806R
IC7	8-759-548-77	s	IC SN74LV245ANSR
IC8	8-759-548-77	s	IC SN74LV245ANSR
IC21-24	8-759-482-20	s	IC IDT71V124S15Y-TL
IC25-28	8-759-548-77	s	IC SN74LV245ANSR
IC29	*5 8-759-325-89	s	IC CXD8928R
	*3 8-759-177-74	s	IC CXD8808R
IC30-34	8-759-482-20	s	IC IDT71V124S15Y-TL
IC35	*5 8-759-325-88	s	IC CXD8929R
	*3 8-759-177-75	s	IC CXD8809R
IC36	8-759-177-49	s	IC HM62W9127HJP-35
IC37	8-759-177-49	s	IC HM62W9127HJP-35
IC38	*5 8-759-325-89	s	IC CXD8928R
	*3 8-759-177-74	s	IC CXD8808R
IC39-43	8-759-482-20	s	IC IDT71V124S15Y-TL
IC44	*5 8-759-325-88	s	IC CXD8929R
	*3 8-759-177-75	s	IC CXD8809R
IC45	8-759-199-86	s	IC CXD8807BR
IC46	8-759-985-84	s	IC 74AC574SJ
IC47	8-759-985-84	s	IC 74AC574SJ
IC51-62	8-759-482-20	s	IC IDT71V124S15Y-TL
IC63-67	8-752-365-06	s	IC CXK48324R-1

-----  
 \*7: LOT No.302 through 312  
 \*8: LOT No.307 through 409 with Board No. suffix 12  
 \*9: LOT No.401 or higher

(DPR-36 BOARD suffix 11 through 13)

Ref. No. or Q'ty	Part No.	SP	Description
IC68	8-759-548-77	s	IC SN74LV245ANSR
IC69	8-759-177-76	s	IC CXD8811AQ
IC70	*7 8-759-177-53	s	IC HM62W8127HJP-35
IC71	*7 8-759-177-53	s	IC HM62W8127HJP-35
IC72	8-759-548-77	s	IC SN74LV245ANSR
IC73	8-759-177-77	s	IC CXD8824AQ
IC74	8-759-482-20	s	IC IDT71V124S15Y-TL
IC75	8-759-548-77	s	IC SN74LV245ANSR
IC401	*3 8-759-985-25	s	IC 74AC32SJ
IC500	8-759-987-82	s	IC 74AC00SJ
IC501	8-759-925-90	s	IC SN74HC74ANS
IC502	8-759-926-18	s	IC SN74HC157ANS
IC701	*4 8-759-925-90	s	IC SN74HC74ANS
IC703	*2 8-759-925-90	s	IC SN74HC74ANS
IC704	*2 8-759-987-82	s	IC 74AC00SJ
IC705	*4 8-759-196-73	s	IC UPD485505G-25
IC706	*4 8-759-925-90	s	IC SN74HC74ANS
IC707	8-759-673-36	s	IC MM74HC00SJX
IC708	*4 8-759-925-90	s	IC SN74HC74ANS
IC709	*4 8-759-926-74	s	IC SN74HC393ANS
IC710	*4 8-759-673-45	s	IC MM74HC08SJX
IC711	*4 8-759-673-36	s	IC MM74HC00SJX
IC712	*4 8-759-673-36	s	IC MM74HC00SJX
IC713	*4 8-759-926-98	s	IC SN74HC4040ANS
IC714	*4 8-759-232-52	s	IC TC74HC133AF
IC716	*2 8-759-239-55	s	IC TC74HC123AF
IC900	8-759-985-36	s	IC 74AC157SJ
IC901	8-759-985-23	s	IC 74AC14SJ
IC902	*5 8-759-482-24	s	IC IDT71V016S20Y-TL
IC903	*3 8-759-147-05	s	IC UPD42101G-3
IC904	*3 8-759-188-01	s	IC CXD8855R
IC905	8-759-188-02	s	IC CXD8854Q
IC906	8-759-985-77	s	IC 74AC540SJ
IC907	8-759-548-77	s	IC SN74LV245ANSR
IC908	8-759-293-90	s	IC MSM514221B-30JS
IC909	8-759-927-15	s	IC SN74HCT245ANS
IC910	8-759-440-94	s	IC SN74LVT245ANS
IC911	8-759-253-97	s	IC CXD8859AQ
IC912	*8 8-759-188-00	s	IC CXD8863Q
IC913	*8 8-759-188-00	s	IC CXD8863Q
IC914	*4 8-759-985-23	s	IC 74AC14SJ
IC915	*5 8-759-926-49	s	IC SN74HC245ANS
IC920	8-759-269-09	s	IC SN74HCT04ANS
L1	1-410-803-11	s	INDUCTOR, CHIP 0.047uH
L2	1-410-803-11	s	INDUCTOR, CHIP 0.047uH
L3-8	1-424-643-11	s	COIL, CHOKE 10uH
L10-16	1-410-803-11	s	INDUCTOR, CHIP 0.047uH
L19	1-410-803-11	s	INDUCTOR, CHIP 0.047uH
L20	1-410-803-11	s	INDUCTOR, CHIP 0.047uH
L900	*4 1-424-643-11	s	COIL, CHOKE 10uH
	*1 1-412-526-11	s	INDUCTOR 12uH
L901	1-410-803-11	s	INDUCTOR, CHIP 0.047uH
L915	*5 1-410-803-11	s	INDUCTOR, CHIP 0.047uH
PS1-6	△ 1-533-348-11	s	LINK, IC, CHIP 4A (For Europa model)
	△ 1-533-272-11	s	FUSE, CHIP 4A 125V (For USA and Canada models)

-----  
 \*1: Board No. suffix 11 only  
 \*2: Board No. suffix 12 only  
 \*3: Board No. suffix 11 or 12  
 \*4: Board No. suffix 12 or higher

(DPR-36 BOARD suffix 11 through 13)

Ref. No. or Q'ty	Part No.	SP	Description
R1	1-216-033-00	s	METAL, CHIP 220 5% 1/10W (2125)
R2	1-216-295-00	s	METAL, CHIP 0 (2125)
R3	1-216-033-00	s	METAL, CHIP 220 5% 1/10W (2125)
R4	1-216-295-00	s	METAL, CHIP 0 (2125)
R5	1-216-033-00	s	METAL, CHIP 220 5% 1/10W (2125)
R6	1-216-033-00	s	METAL, CHIP 220 5% 1/10W (2125)
R7	1-216-295-00	s	METAL, CHIP 0 (2125)
R8	1-216-033-00	s	METAL, CHIP 220 5% 1/10W (2125)
R9	1-216-295-00	s	METAL, CHIP 0 (2125)
R10	1-216-033-00	s	METAL, CHIP 220 5% 1/10W (2125)
R11	1-216-295-00	s	METAL, CHIP 0 (2125)
R12	1-216-033-00	s	METAL, CHIP 220 5% 1/10W (2125)
R13	1-216-033-00	s	METAL, CHIP 220 5% 1/10W (2125)
R14	1-216-295-00	s	METAL, CHIP 0 (2125)
R15	1-216-033-00	s	METAL, CHIP 220 5% 1/10W (2125)
R16	1-216-295-00	s	METAL, CHIP 0 (2125)
R17	1-216-033-00	s	METAL, CHIP 220 5% 1/10W (2125)
R18	1-216-033-00	s	METAL, CHIP 220 5% 1/10W (2125)
R19	1-216-033-00	s	METAL, CHIP 220 5% 1/10W (2125)
R51-64*1	1-216-295-00	s	METAL, CHIP 0 (2125)
R80	*3 1-216-049-00	s	METAL, CHIP 1.0K 5% 1/10W (2125)
R81	1-216-049-00	s	METAL, CHIP 1.0K 5% 1/10W (2125)
R82	*3 1-216-049-00	s	METAL, CHIP 1.0K 5% 1/10W (2125)
R83	1-216-049-00	s	METAL, CHIP 1.0K 5% 1/10W (2125)
R84	1-216-049-00	s	METAL, CHIP 1.0K 5% 1/10W (2125)
R157	*3 1-216-295-00	s	METAL, CHIP 0 (2125)
R159	*3 1-216-295-00	s	METAL, CHIP 0 (2125)
R161	*3 1-216-295-00	s	METAL, CHIP 0 (2125)
R163	*3 1-216-295-00	s	METAL, CHIP 0 (2125)
R200	*1 1-216-049-00	s	METAL, CHIP 1.0K 5% 1/10W (2125)
R201	1-216-049-00	s	METAL, CHIP 1.0K 5% 1/10W (2125)
R309-314			
	*1 1-216-295-00	s	METAL, CHIP 0 (2125)
R315	1-216-049-00	s	METAL, CHIP 1.0K 5% 1/10W (2125)
R316-321			
	*1 1-216-295-00	s	METAL, CHIP 0 (2125)
R334	1-216-049-00	s	METAL, CHIP 1.0K 5% 1/10W (2125)
R344	*1 1-216-295-00	s	METAL, CHIP 0 (2125)
R346	*1 1-216-295-00	s	METAL, CHIP 0 (2125)
R347	*1 1-216-295-00	s	METAL, CHIP 0 (2125)
R348	*1 1-216-295-00	s	METAL, CHIP 0 (2125)
R349	*1 1-216-295-00	s	METAL, CHIP 0 (2125)
R351	*1 1-216-295-00	s	METAL, CHIP 0 (2125)
R353	*1 1-216-295-00	s	METAL, CHIP 0 (2125)
R389	1-216-033-00	s	METAL, CHIP 220 5% 1/10W (2125)
R390	1-216-049-00	s	METAL, CHIP 1.0K 5% 1/10W (2125)
R391	1-216-049-00	s	METAL, CHIP 1.0K 5% 1/10W (2125)
R394	*3 1-216-049-00	s	METAL, CHIP 1.0K 5% 1/10W (2125)
R395	*3 1-216-049-00	s	METAL, CHIP 1.0K 5% 1/10W (2125)
R398	*3 1-216-049-00	s	METAL, CHIP 1.0K 5% 1/10W (2125)
R399	*3 1-216-049-00	s	METAL, CHIP 1.0K 5% 1/10W (2125)
R701	*2 1-216-049-00	s	METAL, CHIP 1.0K 5% 1/10W (2125)
R702	*2 1-216-105-00	s	METAL, CHIP 220K 5% 1/10W (2125)
R703	*3 1-249-417-11	s	CARBON 1.0K 5% 1/4W
R704	*3 1-249-417-11	s	CARBON 1.0K 5% 1/4W

-----  
 \*5: Board No. suffix 13 or higher  
 \*7: LOT No.302 through 312  
 \*8: LOT No.307 through 409 with Board No. suffix 12

(DPR-36 BOARD suffix 11 through 13)

Ref. No. or Q'ty	Part No.	SP Description
R705	*3 1-249-417-11	s CARBON 1.0K 5% 1/4W
R706	*3 1-249-417-11	s CARBON 1.0K 5% 1/4W
R906	*5 1-216-049-00	s METAL, CHIP 1.0K 5% 1/10W (2125)
R907	*3 1-216-295-00	s METAL, CHIP 0 (2125)
R908-951		
	*6 1-216-295-00	s METAL, CHIP 0 (2125)
R952	*3 1-216-295-00	s METAL, CHIP 0 (2125)
R953	*2 1-216-073-00	s METAL, CHIP 10K 5% 1/10W (2125)
	*1 1-249-429-11	s CARBON 10K 5% 1/4W
R954	*4 1-216-033-00	s METAL, CHIP 220 5% 1/10W (2125)
	*1 1-249-437-11	s CARBON 47K 5% 1/4W
R964	*4 1-216-033-00	s METAL, CHIP 220 5% 1/10W (2125)
R965	*2 1-216-049-00	s METAL, CHIP 1.0K 5% 1/10W (2125)
R966	*4 1-216-033-00	s METAL, CHIP 220 5% 1/10W (2125)
R967	*2 1-216-049-00	s METAL, CHIP 1.0K 5% 1/10W (2125)
R968	*2 1-216-049-00	s METAL, CHIP 1.0K 5% 1/10W (2125)
R969	*2 1-216-049-00	s METAL, CHIP 1.0K 5% 1/10W (2125)
R971	*4 1-216-295-00	s METAL, CHIP 0 (2125)
R973	*4 1-216-295-00	s METAL, CHIP 0 (2125)
R974	*4 1-216-033-00	s METAL, CHIP 220 5% 1/10W (2125)
R975	*4 1-216-295-00	s METAL, CHIP 0 (2125)
R977	*4 1-216-295-00	s METAL, CHIP 0 (2125)
R979	*4 1-216-295-00	s METAL, CHIP 0 (2125)
R980	*4 1-216-033-00	s METAL, CHIP 220 5% 1/10W (2125)
R990	*5 1-216-073-00	s METAL, CHIP 10K 5% 1/10W (2125)
R991	*5 1-216-295-00	s METAL, CHIP 0 (2125)
R992	*5 1-216-295-00	s METAL, CHIP 0 (2125)
R994	*5 1-216-295-00	s METAL, CHIP 0 (2125)
R995	*5 1-216-295-00	s METAL, CHIP 0 (2125)
R998	*5 1-216-295-00	s METAL, CHIP 0 (2125)
RB1	1-239-628-11	s RES, NETWORK, CHIP 220x8
RB2	1-239-628-11	s RES, NETWORK, CHIP 220x8
RB3	1-236-904-11	s RES, NETWORK, CHIP 1Kx4
RB4-7	1-239-628-11	s RES, NETWORK, CHIP 220x8
RB8-25	1-236-904-11	s RES, NETWORK, CHIP 1Kx4
RB903	*5 1-239-711-11	s RES, NETWORK, CHIP 0x4
RB904	*5 1-236-904-11	s RES, NETWORK, CHIP 1Kx4
RB905	*5 1-236-904-11	s RES, NETWORK, CHIP 1Kx4
RB906	*5 1-239-711-11	s RES, NETWORK, CHIP 0x4
RB907	*5 1-239-412-11	s RES, NETWORK, CHIP 100x4
RB910	*5 1-236-904-11	s RES, NETWORK, CHIP 1Kx4

\*1: Board No. suffix 11 only  
 \*2: Board No. suffix 12 only  
 \*3: Board No. suffix 11 or 12  
 \*4: Board No. suffix 12 or higher  
 \*5: Board No. suffix 13 or higher  
 \*6: LOT No.302 through 306

DR-307A BOARD for DVW-A500P/A510P, LOT No. 912 or higher

\*a:Lot No. 912-114                   \*d:Lot No. 141-  
 \*b:Lot No. 121-                    \*e:Lot No. 121-311  
 \*c:Lot No. 121-135               \*f:Lot No. 312-

Ref. No. or Q'ty	Part No.	SP Description
1pc	A-8322-330-B	o MOUNTED CIRCUIT BOARD, DR-307A
2pcs	3-180-760-01	o SUPPORT, DR
1pc	*b 3-180-873-07	o SHEET, INSULATING (DR)
	*a 3-180-873-06	o SHEET, INSULATING (DR)
1pc	*a 3-182-546-01	o HEAT SINK, DR SUB
4pcs	3-531-576-11	s RIVET,NYLON
2pcs	*b 3-531-576-21	s RIVET,NYLON
5pcs	*b 3-531-576-31	s RIVET, NYLON
1pc	3-646-084-00	o CAP, REINFORCEMENT
1pc	7-623-510-01	s EARTH LUG 4
3pcs	*a 7-682-902-11	s SCREW +PWH 2.6x5
C101	1-126-941-11	s CAPACITOR,ELECT 470MF/25V
C102	1-126-941-11	s CAPACITOR,ELECT 470MF/25V
C103	1-126-933-11	s CAPACITOR,ELECT 100MF/16V
C104	1-126-933-11	s CAPACITOR,ELECT 100MF/16V
C105	1-126-941-11	s CAPACITOR,ELECT 470MF/25V
C106	1-126-933-11	s CAPACITOR,ELECT 100MF/16V
C107	1-126-964-11	s CAPACITOR, ELECT 10MF/50V
C109	1-126-964-11	s CAPACITOR, ELECT 10MF/50V
C110	1-126-964-11	s CAPACITOR, ELECT 10MF/50V
C111	1-115-185-11	s CAP CERAMIC 0.033MF/50V(2012)
C112	1-163-263-11	s CAPACITOR CERAMIC 330PF/50V
C113	*b 1-163-021-91	s CAPACITOR, CERAMIC 0.01MF/50V
	*a 1-163-022-00	s CERAMIC, CHIP 0.012MF 10% 50V
C114	1-135-210-11	s CAPACITOR,TANTALUM 4.7MF/10V
C115	1-135-210-11	s CAPACITOR,TANTALUM 4.7MF/10V
C116	1-135-210-11	s CAPACITOR,TANTALUM 4.7MF/10V
C117	1-126-934-11	s CAPACITOR,ELECT 220MF/16V
C118	1-126-940-11	s CAPACITOR,ELECT 330MF/25V
C119	*b 1-119-751-11	s CAPACITOR,TANTALUM 22MF/16V
	*a 1-135-164-21	s TANTALUM, CHIP 22MF 10% 16V
C120	1-163-017-00	s CAPACITOR,CHIP CERAMIC 4700PF
C121	1-126-940-11	s CAPACITOR,ELECT 330MF/25V
C122	1-164-161-11	s CAPACITOR, CERAMIC 2200PF/100V
C123	1-163-021-91	s CAPACITOR, CERAMIC 0.01MF/50V
C124	1-163-021-91	s CAPACITOR, CERAMIC 0.01MF/50V
C125	1-163-037-11	s CAPACITOR,CHIP CERAMIC 0.022MF
C126	1-164-004-11	s CAPACITOR,CERAMIC 0.1MF/25V
C127	1-164-004-11	s CAPACITOR,CERAMIC 0.1MF/25V
C128	1-163-133-00	s CAPACITOR,CHIP CERAMIC 470PF
C129	1-164-004-11	s CAPACITOR,CERAMIC 0.1MF/25V
C130	1-163-037-11	s CAPACITOR,CHIP CERAMIC 0.022MF
C131	1-163-037-11	s CAPACITOR,CHIP CERAMIC 0.022MF
C132	1-163-009-11	s CAPACITOR,CERAMIC 1000PF/50V
C133	1-163-037-11	s CAPACITOR,CHIP CERAMIC 0.022MF
C134	1-163-037-11	s CAPACITOR,CHIP CERAMIC 0.022MF
C135	1-164-161-11	s CAPACITOR, CERAMIC 2200PF/100V
C136	1-164-161-11	s CAPACITOR, CERAMIC 2200PF/100V
C137	1-104-760-11	s CAPACITOR CERAMIC 0.047MF/50V
C138	1-130-497-00	s CAPACITOR FILM 0.15MF/50V PETP
C139	1-130-497-00	s CAPACITOR FILM 0.15MF/50V PETP
C140	1-163-275-11	s CAPACITOR CERAMIC 1000PF/50V
C141	1-115-781-11	s CAPACITOR,ELECT 220MF/25V(105C)
C142	1-115-781-11	s CAPACITOR,ELECT 220MF/25V(105C)

(DR-307A BOARD for DDVW-A500P/A510P, LOT No. 912 or higher)

(DR-307A BOARD for DVW-A500P/A510P, LOT No. 912 or higher)

Ref. No. or Q'ty	Part No.	SP	Description
C143	1-163-275-11	s	CAPACITOR CERAMIC 1000PF/50V
C144	1-126-964-11	s	CAPACITOR, ELECT 10MF/50V
C145	1-126-964-11	s	CAPACITOR, ELECT 10MF/50V
C146	1-163-239-11	s	CAPACITOR,CHIP CERAMIC33PF/50V
C147	1-163-239-11	s	CAPACITOR,CHIP CERAMIC33PF/50V
C148	1-163-037-11	s	CAPACITOR,CHIP CERAMIC 0.022MF
C149	1-163-251-11	s	CAPACITOR CERAMIC 100PF/50V
C150	1-163-037-11	s	CAPACITOR,CHIP CERAMIC 0.022MF
C151	1-115-827-11	s	CAPACITOR,ELECT 56MF/50V(105C)
C152	1-115-827-11	s	CAPACITOR,ELECT 56MF/50V(105C)
C153	1-115-827-11	s	CAPACITOR,ELECT 56MF/50V(105C)
C154	1-163-021-91	s	CAPACITOR, CERAMIC 0.01MF/50V
C155	1-163-037-11	s	CAPACITOR,CHIP CERAMIC 0.022MF
C156	1-163-021-91	s	CAPACITOR, CERAMIC 0.01MF/50V
C157	1-163-037-11	s	CAPACITOR,CHIP CERAMIC 0.022MF
C158	1-163-037-11	s	CAPACITOR,CHIP CERAMIC 0.022MF
C159	1-163-037-11	s	CAPACITOR,CHIP CERAMIC 0.022MF
C160	*b 1-164-161-11	s	CAPACITOR, CERAMIC 2200PF/100V
C200	1-137-378-11	s	CAPACITOR 0.22MF/50V (PETP)
C201	1-126-964-11	s	CAPACITOR, ELECT 10MF/50V
C202	1-163-037-11	s	CAPACITOR,CHIP CERAMIC 0.022MF
C203	1-115-781-11	s	CAPACITOR,ELECT 220MF/25V(105C)
C204	1-126-160-11	s	CAPACITOR,ELECT 1MF/50V(105)
C205	1-163-243-11	s	CAPACITOR CHIP CERAMIC 47PF/50
C206	1-126-948-11	s	CAPACITOR,ELECT 100MF/35V
C207	1-163-243-11	s	CAPACITOR CHIP CERAMIC 47PF/50
C208	1-126-940-11	s	CAPACITOR,ELECT 330MF/25V
C209	1-137-378-11	s	CAPACITOR 0.22MF/50V (PETP)
C210	*b 1-111-107-11	s	CAPACITOR ELECT 10MF/50V 105C
	*a 1-126-613-11	s	CAPACITOR ELECT 10MF 20% 50V
C211	1-126-964-11	s	CAPACITOR, ELECT 10MF/50V
C212	1-126-964-11	s	CAPACITOR, ELECT 10MF/50V
C213	1-126-964-11	s	CAPACITOR, ELECT 10MF/50V
C214	1-163-021-91	s	CAPACITOR, CERAMIC 0.01MF/50V
C215	1-126-948-11	s	CAPACITOR,ELECT 100MF/35V
C216	1-137-378-11	s	CAPACITOR 0.22MF/50V (PETP)
C217	1-163-251-11	s	CAPACITOR CERAMIC 100PF/50V
C218	1-163-251-11	s	CAPACITOR CERAMIC 100PF/50V
C219	*b 1-111-107-11	s	CAPACITOR ELECT 10MF/50V 105C
	*a 1-126-613-11	s	CAPACITOR ELECT 10MF 20% 50V
C220	1-137-378-11	s	CAPACITOR 0.22MF/50V (PETP)
C221	1-137-378-11	s	CAPACITOR 0.22MF/50V (PETP)
C222	1-163-251-11	s	CAPACITOR CERAMIC 100PF/50V
C223	1-163-251-11	s	CAPACITOR CERAMIC 100PF/50V
C224	*b 1-111-107-11	s	CAPACITOR ELECT 10MF/50V 105C
	*a 1-126-613-11	s	CAPACITOR ELECT 10MF 20% 50V
C225	1-137-378-11	s	CAPACITOR 0.22MF/50V (PETP)
C226	1-137-378-11	s	CAPACITOR 0.22MF/50V (PETP)
C227	1-137-378-11	s	CAPACITOR 0.22MF/50V (PETP)
C228	1-163-037-11	s	CAPACITOR,CHIP CERAMIC 0.022MF
C229	1-163-037-11	s	CAPACITOR,CHIP CERAMIC 0.022MF
C230	1-163-037-11	s	CAPACITOR,CHIP CERAMIC 0.022MF
C231	1-163-037-11	s	CAPACITOR,CHIP CERAMIC 0.022MF
C232	1-163-037-11	s	CAPACITOR,CHIP CERAMIC 0.022MF
C233	1-163-037-11	s	CAPACITOR,CHIP CERAMIC 0.022MF
C234	1-163-037-11	s	CAPACITOR,CHIP CERAMIC 0.022MF
C235	1-163-037-11	s	CAPACITOR,CHIP CERAMIC 0.022MF
C237	1-163-037-11	s	CAPACITOR,CHIP CERAMIC 0.022MF
C239	1-137-378-11	s	CAPACITOR 0.22MF/50V (PETP)

Ref. No. or Q'ty	Part No.	SP	Description
C240	1-137-378-11	s	CAPACITOR 0.22MF/50V (PETP)
C241	*b 1-111-107-11	s	CAPACITOR ELECT 10MF/50V 105C
	*a 1-126-613-11	s	CAPACITOR ELECT 10MF 20% 50V
C242	*b 1-111-107-11	s	CAPACITOR ELECT 10MF/50V 105C
	*a 1-126-613-11	s	CAPACITOR ELECT 10MF 20% 50V
C243	1-115-781-11	s	CAPACITOR,ELECT 220MF/25V(105C)
C244	*b 1-111-107-11	s	CAPACITOR ELECT 10MF/50V 105C
	*a 1-126-613-11	s	CAPACITOR ELECT 10MF 20% 50V
C245	1-126-947-11	s	CAPACITOR, ELECT 47MF/35V
C246	*b 1-111-107-11	s	CAPACITOR ELECT 10MF/50V 105C
	*a 1-126-613-11	s	CAPACITOR ELECT 10MF 20% 50V
C247	*b 1-111-107-11	s	CAPACITOR ELECT 10MF/50V 105C
	*a 1-126-613-11	s	CAPACITOR ELECT 10MF 20% 50V
C248	*b 1-111-107-11	s	CAPACITOR ELECT 10MF/50V 105C
	*a 1-126-613-11	s	CAPACITOR ELECT 10MF 20% 50V
C249	*b 1-111-107-11	s	CAPACITOR ELECT 10MF/50V 105C
	*a 1-126-613-11	s	CAPACITOR ELECT 10MF 20% 50V
C272	1-126-947-11	s	CAPACITOR, ELECT 47MF/35V
C300	1-126-933-11	s	CAPACITOR,ELECT 100MF/16V
C301	1-163-021-91	s	CAPACITOR, CERAMIC 0.01MF/50V
C302	1-126-965-11	s	CAPACITOR,ELECT 22MF/50V
C303	1-104-760-11	s	CAPACITOR CERAMIC 0.047MF/50V
C304	1-163-037-11	s	CAPACITOR,CHIP CERAMIC 0.022MF
C305	1-164-004-11	s	CAPACITOR,CERAMIC 0.1MF/25V
C306	1-163-037-11	s	CAPACITOR,CHIP CERAMIC 0.022MF
C307	1-164-004-11	s	CAPACITOR,CERAMIC 0.1MF/25V
C308	1-104-760-11	s	CAPACITOR CERAMIC 0.047MF/50V
C309	1-164-004-11	s	CAPACITOR,CERAMIC 0.1MF/25V
C310	1-130-477-00	s	CAPACITOR,FILM 0.0033MF/50V
C311	1-163-275-11	s	CAPACITOR CERAMIC 1000PF/50V
C312	1-163-251-11	s	CAPACITOR CERAMIC 100PF/50V
C313	1-126-964-11	s	CAPACITOR, ELECT 10MF/50V
C314	1-163-037-11	s	CAPACITOR,CHIP CERAMIC 0.022MF
C315	1-104-760-11	s	CAPACITOR CERAMIC 0.047MF/50V
C316	1-104-760-11	s	CAPACITOR CERAMIC 0.047MF/50V
C317	1-164-004-11	s	CAPACITOR,CERAMIC 0.1MF/25V
C318	1-130-477-00	s	CAPACITOR,FILM 0.0033MF/50V
C319	1-163-275-11	s	CAPACITOR CERAMIC 1000PF/50V
C320	1-126-964-11	s	CAPACITOR, ELECT 10MF/50V
C321	1-163-251-11	s	CAPACITOR CERAMIC 100PF/50V
C322	1-163-037-11	s	CAPACITOR,CHIP CERAMIC 0.022MF
C323	1-163-037-11	s	CAPACITOR,CHIP CERAMIC 0.022MF
C324	1-163-037-11	s	CAPACITOR,CHIP CERAMIC 0.022MF
C325	1-104-760-11	s	CAPACITOR CERAMIC 0.047MF/50V
C326	1-104-760-11	s	CAPACITOR CERAMIC 0.047MF/50V
C327	1-163-275-11	s	CAPACITOR CERAMIC 1000PF/50V
C328	1-163-275-11	s	CAPACITOR CERAMIC 1000PF/50V
C329	1-163-275-11	s	CAPACITOR CERAMIC 1000PF/50V
C330	1-163-037-11	s	CAPACITOR,CHIP CERAMIC 0.022MF
C331	1-164-004-11	s	CAPACITOR,CERAMIC 0.1MF/25V
C332	1-104-760-11	s	CAPACITOR CERAMIC 0.047MF/50V
C333	1-163-275-11	s	CAPACITOR CERAMIC 1000PF/50V
C334	1-163-275-11	s	CAPACITOR CERAMIC 1000PF/50V
C335	1-163-037-11	s	CAPACITOR,CHIP CERAMIC 0.022MF
C336	1-164-004-11	s	CAPACITOR,CERAMIC 0.1MF/25V
C337	1-163-037-11	s	CAPACITOR,CHIP CERAMIC 0.022MF
C338	1-164-004-11	s	CAPACITOR,CERAMIC 0.1MF/25V
C339	1-163-037-11	s	CAPACITOR,CHIP CERAMIC 0.022MF
C340	1-163-037-11	s	CAPACITOR,CHIP CERAMIC 0.022MF
C341	1-163-037-11	s	CAPACITOR,CHIP CERAMIC 0.022MF

(DR-307A BOARD for DVW-A500P/A510P, LOT No. 912 or higher)

(DR-307A BOARD for DVW-A500P/A510P, LOT No. 912 or higher)

Ref. No. or Q'ty	Part No.	SP Description
C343	1-126-965-11	s CAPACITOR,ELECT 22MF/50V
C344	1-163-021-91	s CAPACITOR, CERAMIC 0.01MF/50V
C345	1-107-682-11	s CAPACITOR,CHIP 1MF/16V (3216)
C346	1-163-021-91	s CAPACITOR, CERAMIC 0.01MF/50V
C347	1-107-682-11	s CAPACITOR,CHIP 1MF/16V (3216)
C348	1-163-021-91	s CAPACITOR, CERAMIC 0.01MF/50V
C349	1-107-682-11	s CAPACITOR,CHIP 1MF/16V (3216)
C350	1-163-021-91	s CAPACITOR, CERAMIC 0.01MF/50V
C351	1-107-682-11	s CAPACITOR,CHIP 1MF/16V (3216)
C401	1-136-684-51	s CAPACITOR FILM 0.0022MF/100V
C402	1-136-684-51	s CAPACITOR FILM 0.0022MF/100V
C403	1-163-037-11	s CAPACITOR,CHIP CERAMIC 0.022MF
C404	1-126-964-11	s CAPACITOR, ELECT 10MF/50V
C405	1-164-004-11	s CAPACITOR,CERAMIC 0.1MF/25V
C406	1-164-004-11	s CAPACITOR,CERAMIC 0.1MF/25V
C407	1-104-760-11	s CAPACITOR CERAMIC 0.047MF/50V
C408	1-104-760-11	s CAPACITOR CERAMIC 0.047MF/50V
C409	1-163-263-11	s CAPACITOR CERAMIC 330PF/50V
C410	1-163-263-11	s CAPACITOR CERAMIC 330PF/50V
C411	*b 1-107-854-11	s CAPACITOR TANTALUM 68MF/6.3V
	*a 1-135-167-21	s CAPACITOR TANTALUM,CHIP 68MF 10% 16
C412	*b 1-107-854-11	s CAPACITOR TANTALUM 68MF/6.3V
	*a 1-135-167-21	s CAPACITOR TANTALUM,CHIP 68MF 10% 16
C413	1-126-947-11	s CAPACITOR, ELECT 47MF/35V
C414	1-126-947-11	s CAPACITOR, ELECT 47MF/35V
C415	1-126-966-11	s CAPACITOR,ELECT 33MF/50V
C416	1-115-185-11	s CAP CERAMIC 0.033MF/50V(2012)
C417	1-126-947-11	s CAPACITOR, ELECT 47MF/35V
C419	1-126-964-11	s CAPACITOR, ELECT 10MF/50V
C420	1-126-964-11	s CAPACITOR, ELECT 10MF/50V
C421	1-126-964-11	s CAPACITOR, ELECT 10MF/50V
C422	1-126-964-11	s CAPACITOR, ELECT 10MF/50V
C423	1-126-964-11	s CAPACITOR, ELECT 10MF/50V
C424	1-163-037-11	s CAPACITOR,CHIP CERAMIC 0.022MF
C425	1-163-037-11	s CAPACITOR,CHIP CERAMIC 0.022MF
C426	1-163-037-11	s CAPACITOR,CHIP CERAMIC 0.022MF
C427	1-126-964-11	s CAPACITOR, ELECT 10MF/50V
C428	1-126-964-11	s CAPACITOR, ELECT 10MF/50V
C429	1-135-145-11	s CAPACITOR TANTALUM 0.47MF/35V
C430	1-135-145-11	s CAPACITOR TANTALUM 0.47MF/35V
C431	1-163-021-91	s CAPACITOR, CERAMIC 0.01MF/50V
C432	1-163-037-11	s CAPACITOR,CHIP CERAMIC 0.022MF
C500	1-164-004-11	s CAPACITOR,CERAMIC 0.1MF/25V
C502	1-163-037-11	s CAPACITOR,CHIP CERAMIC 0.022MF
C503	1-163-037-11	s CAPACITOR,CHIP CERAMIC 0.022MF
C504	1-104-760-11	s CAPACITOR CERAMIC 0.047MF/50V
C505	1-163-037-11	s CAPACITOR,CHIP CERAMIC 0.022MF
C506	1-164-004-11	s CAPACITOR,CERAMIC 0.1MF/25V
C507	1-164-161-11	s CAPACITOR, CERAMIC 2200PF/100V
C508	1-163-259-91	s CAPACITOR,CHIP CERAMIC 220PF
C509	1-163-259-91	s CAPACITOR,CHIP CERAMIC 220PF
C510	1-164-004-11	s CAPACITOR,CERAMIC 0.1MF/25V
C511	1-164-004-11	s CAPACITOR,CERAMIC 0.1MF/25V
C512	1-164-004-11	s CAPACITOR,CERAMIC 0.1MF/25V
C514	1-163-037-11	s CAPACITOR,CHIP CERAMIC 0.022MF
C515	1-163-037-11	s CAPACITOR,CHIP CERAMIC 0.022MF
C516	1-104-760-11	s CAPACITOR CERAMIC 0.047MF/50V
C517	1-163-037-11	s CAPACITOR,CHIP CERAMIC 0.022MF
C518	1-164-004-11	s CAPACITOR,CERAMIC 0.1MF/25V

Ref. No. or Q'ty	Part No.	SP Description
C519	1-164-161-11	s CAPACITOR, CERAMIC 2200PF/100V
C520	1-163-259-91	s CAPACITOR,CHIP CERAMIC 220PF
C521	1-163-259-91	s CAPACITOR,CHIP CERAMIC 220PF
C522	1-164-004-11	s CAPACITOR,CERAMIC 0.1MF/25V
C523	1-164-004-11	s CAPACITOR,CERAMIC 0.1MF/25V
C524	1-164-004-11	s CAPACITOR,CERAMIC 0.1MF/25V
C525	1-104-760-11	s CAPACITOR CERAMIC 0.047MF/50V
C526	1-104-760-11	s CAPACITOR CERAMIC 0.047MF/50V
C527	1-163-037-11	s CAPACITOR,CHIP CERAMIC 0.022MF
C528	1-104-760-11	s CAPACITOR CERAMIC 0.047MF/50V
C529	1-163-037-11	s CAPACITOR,CHIP CERAMIC 0.022MF
C530	1-164-004-11	s CAPACITOR,CERAMIC 0.1MF/25V
C531	1-164-161-11	s CAPACITOR, CERAMIC 2200PF/100V
C532	1-163-259-91	s CAPACITOR,CHIP CERAMIC 220PF
C533	1-163-259-91	s CAPACITOR,CHIP CERAMIC 220PF
C534	1-164-004-11	s CAPACITOR,CERAMIC 0.1MF/25V
C535	1-164-004-11	s CAPACITOR,CERAMIC 0.1MF/25V
C541	1-126-157-11	s CAPACITOR,ELECT 10MF/16V (105)
C542	1-126-157-11	s CAPACITOR,ELECT 10MF/16V (105)
C543	1-163-037-11	s CAPACITOR,CHIP CERAMIC 0.022MF
C800	1-164-161-11	s CAPACITOR, CERAMIC 2200PF/100V
C801	1-164-161-11	s CAPACITOR, CERAMIC 2200PF/100V
C802	1-164-161-11	s CAPACITOR, CERAMIC 2200PF/100V
C803	1-164-161-11	s CAPACITOR, CERAMIC 2200PF/100V
C804	1-164-161-11	s CAPACITOR, CERAMIC 2200PF/100V
C805	1-164-161-11	s CAPACITOR, CERAMIC 2200PF/100V
C806	1-164-161-11	s CAPACITOR, CERAMIC 2200PF/100V
C807	1-164-161-11	s CAPACITOR, CERAMIC 2200PF/100V
C901	1-126-964-11	s CAPACITOR, ELECT 10MF/50V
C902	1-126-964-11	s CAPACITOR, ELECT 10MF/50V
C903	1-126-933-11	s CAPACITOR,ELECT 100MF/16V
C904	1-126-933-11	s CAPACITOR,ELECT 100MF/16V
C905	1-163-037-11	s CAPACITOR,CHIP CERAMIC 0.022MF
C906	1-163-037-11	s CAPACITOR,CHIP CERAMIC 0.022MF
C911	1-126-964-11	s CAPACITOR, ELECT 10MF/50V
C912	1-163-037-11	s CAPACITOR,CHIP CERAMIC 0.022MF
C913	1-163-037-11	s CAPACITOR,CHIP CERAMIC 0.022MF
C914	1-104-915-11	s CAPACITOR,CHIP 2.2MF/20V
C915	1-163-037-11	s CAPACITOR,CHIP CERAMIC 0.022MF
C916	1-163-037-11	s CAPACITOR,CHIP CERAMIC 0.022MF
C917	1-163-243-11	s CAPACITOR CHIP CERAMIC 47PF/50
C918	1-163-243-11	s CAPACITOR CHIP CERAMIC 47PF/50
C919	1-163-021-91	s CAPACITOR, CHIP CERAMIC 0.01MF/50V
C931	1-164-004-11	s CAPACITOR,CERAMIC 0.1MF/25V
C932	1-113-985-11	s CAPACITOR,TANTALUM 10MF/20V
C935	1-163-037-11	s CAPACITOR,CHIP CERAMIC 0.022MF
C936	1-163-037-11	s CAPACITOR,CHIP CERAMIC 0.022MF
C937	1-163-037-11	s CAPACITOR,CHIP CERAMIC 0.022MF
C938	1-163-037-11	s CAPACITOR,CHIP CERAMIC 0.022MF
C939	1-163-037-11	s CAPACITOR,CHIP CERAMIC 0.022MF
C940	1-163-037-11	s CAPACITOR,CHIP CERAMIC 0.022MF
C941	1-163-037-11	s CAPACITOR,CHIP CERAMIC 0.022MF
C942	1-163-037-11	s CAPACITOR,CHIP CERAMIC 0.022MF
C950	1-163-037-11	s CAPACITOR,CHIP CERAMIC 0.022MF
C961	1-113-985-11	s CAPACITOR,TANTALUM 10MF/20V
CN302	1-750-879-11	s HEADER, PIN (PC BOARD) 60P
CN303	1-506-480-11	s PIN,CONNECTOR 15P
CN304	1-565-189-11	s CONNECTOR,SOCKET FFC/FPC (36P)
CN305	1-565-189-11	s CONNECTOR,SOCKET FFC/FPC (36P)



(DR-307A BOARD for DVW-A500P/A510P, LOT No. 912 or higher)

(DR-307A BOARD for DVW-A500P/A510P, LOT No. 912 or higher)

Ref. No. or Q'ty	Part No.	SP	Description
CN306	1-766-175-11	o	PIN, CONNECTOR (PC BOARD) 5P
CN321	1-562-708-11	o	SOCKET,CONNECTOR FFC/FPC (13P)
CN322	1-562-708-11	o	SOCKET,CONNECTOR FFC/FPC (13P)
CN901	*a 1-564-002-11	s	PIN, CONNECTOR 3P
D102	8-719-404-35	s	DIODE MA141WK
D103	8-719-903-06	s	DIODE ERC84-009
D104	8-719-974-51	s	DIODE SB20-03P
D105	8-719-404-35	s	DIODE MA141WK
D106	8-719-404-35	s	DIODE MA141WK
D200	8-719-801-48	s	DIODE 1SS193
D201	8-719-157-33	s	DIODE RD6.2M-B
D202	8-719-974-51	s	DIODE SB20-03P
D203	8-719-801-48	s	DIODE 1SS193
D204	8-719-974-51	s	DIODE SB20-03P
D205	8-719-210-33	s	DIODE EC10DS2 (RECTI)
D206	8-719-210-33	s	DIODE EC10DS2 (RECTI)
D207	8-719-210-33	s	DIODE EC10DS2 (RECTI)
D208	8-719-210-33	s	DIODE EC10DS2 (RECTI)
D209	8-719-210-33	s	DIODE EC10DS2 (RECTI)
D210	8-719-210-33	s	DIODE EC10DS2 (RECTI)
D211	8-719-801-48	s	DIODE 1SS193
D212	8-719-801-48	s	DIODE 1SS193
D213	8-719-801-48	s	DIODE 1SS193
D214	8-719-801-48	s	DIODE 1SS193
D215	8-719-801-48	s	DIODE 1SS193
D216	8-719-801-48	s	DIODE 1SS193
D217	8-719-801-48	s	DIODE 1SS193
D218	8-719-801-48	s	DIODE 1SS193
D300	8-719-404-35	s	DIODE MA141WK
D301	8-719-404-35	s	DIODE MA141WK
D400	8-719-404-35	s	DIODE MA141WK
D401	8-719-404-35	s	DIODE MA141WK
D402	8-719-404-35	s	DIODE MA141WK
D500	8-719-104-34	s	DIODE 1S2836
D501	8-719-104-34	s	DIODE 1S2836
D502	8-719-104-34	s	DIODE 1S2836
D800	8-719-821-05	s	DIODE 1SS154-TE85L
D801	8-719-821-05	s	DIODE 1SS154-TE85L
D901	8-719-024-81	s	DIODE 1SS300-TE85L
D902	8-719-024-81	s	DIODE 1SS300-TE85L
D903	8-719-404-35	s	DIODE MA141WK
IC13	8-759-175-68	s	IC HD29029FP
IC15	8-759-175-68	s	IC HD29029FP
IC16	*b 8-759-075-97	s	IC LM358PW
	*a 8-759-983-69	s	IC LM358PS
IC17	8-759-700-78	s	IC NJM082M
IC18	8-759-175-68	s	IC HD29029FP
IC19	8-759-205-56	s	IC TA7267P
IC20	8-759-205-56	s	IC TA7267P
IC21	8-759-205-56	s	IC TA7267P
IC22	8-759-175-68	s	IC HD29029FP
IC23	8-759-700-78	s	IC NJM082M
IC24	8-759-175-68	s	IC HD29029FP
IC26	8-759-700-78	s	IC NJM082M
IC27	8-759-908-92	s	IC TL084CNS
IC28	8-759-925-05	s	IC LM2903PS
IC29	8-759-925-05	s	IC LM2903PS
IC30	8-759-635-27	s	IC M62352GP

Ref. No. or Q'ty	Part No.	SP	Description
IC32	8-759-700-78	s	IC NJM082M
IC33	8-759-700-78	s	IC NJM082M
IC34	8-759-925-05	s	IC LM2903PS
IC35	8-759-106-02	s	IC UPC4570G2
IC36	8-759-925-05	s	IC LM2903PS
IC37	8-759-106-02	s	IC UPC4570G2
IC38	8-759-925-05	s	IC LM2903PS
IC40	8-759-700-78	s	IC NJM082M
IC44	*b 8-759-441-31	s	IC MC14053BDTR2
	*a 8-759-009-07	s	IC MC14053BF
IC45	8-759-805-32	s	IC LA7205M
IC46	8-759-805-32	s	IC LA7205M
IC47	8-743-914-00	s	IC BX-3914 (HYBRID)
IC48	8-759-106-02	s	IC UPC4570G2
IC49	*b 8-759-673-37	s	IC MM74HC00MTCX
	*a 8-759-673-36	s	IC MM74HC00SJK
IC50	*b 8-759-441-31	s	IC MC14053BDTR2
	*a 8-759-009-07	s	IC MC14053BF
IC52	8-759-231-53	s	IC TA7805S
IC53	8-759-245-79	s	IC TA79005S
IC54	*b 8-759-835-32	s	IC UPC337HF
	*a 8-759-903-37	s	IC LM337T
IC100	*b 8-759-441-31	s	IC MC14053BDTR2
	*a 8-759-009-07	s	IC MC14053BF
IC101	*b 8-759-468-72	s	IC AK6420AM (E2)
	*a 8-759-464-95	s	IC AK6420AF-E2
IC103	8-759-929-26	s	IC TL431CPS
IC104	8-759-925-05	s	IC LM2903PS
IC105	*b 8-759-075-97	s	IC LM358PW
	*a 8-759-983-69	s	IC LM358PS
IC106	8-759-662-70	s	IC UPD75106GF-J33-3BE
IC107	8-759-600-34	s	IC M54532P
IC108	8-759-645-23	s	IC M54523P
IC109	*b 8-759-394-05	s	IC TC7SH08F-TE85R
	*a 8-759-673-45	s	IC MM74HC08SJK
IC110	8-759-009-04	s	IC MC14050BF
IC111	8-759-906-22	s	IC MB3759PF
IC112	*b 8-759-075-97	s	IC LM358PW
	*a 8-759-983-69	s	IC LM358PS
IC113	8-759-700-07	s	IC NJM2903M
IC114	8-759-112-58	s	IC UPC1246G
IC115	8-759-925-05	s	IC LM2903PS
IC116	*b 8-759-673-49	s	IC MM74HC14MTCX
	*a 8-759-673-48	s	IC MM74HC14SJK
IC117	*b 8-759-441-31	s	IC MC14053BDTR2
	*a 8-759-009-07	s	IC MC14053BF
IC500	8-759-906-22	s	IC MB3759PF
IC501	8-759-009-03	s	IC MC14049UBF
IC502	8-759-700-78	s	IC NJM082M
IC503	8-759-906-22	s	IC MB3759PF
IC504	8-759-009-03	s	IC MC14049UBF
IC505	8-759-700-78	s	IC NJM082M
IC506	8-759-906-22	s	IC MB3759PF
IC507	8-759-009-03	s	IC MC14049UBF
IC508	8-759-700-78	s	IC NJM082M
IC903	8-759-231-53	s	IC TA7805S
IC904	8-759-245-79	s	IC TA79005S
IC913	8-759-700-78	s	IC NJM082M
IC931	*b 8-759-673-37	s	IC MM74HC00MTCX
	*a 8-759-673-36	s	IC MM74HC00SJK

Ref. No. or Q'ty	Part No.	SP Description
IC932	*b 8-759-524-18	s IC TC74VHC163FT(EL)
	*a 8-759-672-91	s IC MM74HC163SJX
IC933	*b 8-759-673-52	s IC MM74HC32MTCX
	*a 8-759-673-51	s IC MM74HC32SJX
IC934	8-759-700-78	s IC NJM082M
IC935	*b 8-759-673-01	s IC MM74HC175MTCX
	*a 8-759-673-00	s IC MM74HC175SJX
IC936	*b 8-759-441-31	s IC MC14053BDTR2
	*a 8-759-009-07	s IC MC14053BF
IC937	*b 8-759-524-18	s IC TC74VHC163FT(EL)
	*a 8-759-672-91	s IC MM74HC163SJX
IC938	*b 8-759-523-97	s IC TC74VHC123AFT(EL)
	*a 8-759-239-55	s IC TC74HC123AF
IC950	8-759-231-30	s IC TC4S30F
L101	1-412-533-21	s MICRO INDUCTOR 47UH
L102	1-412-533-21	s MICRO INDUCTOR 47UH
L103	1-412-533-21	s MICRO INDUCTOR 47UH
L104	1-412-533-21	s MICRO INDUCTOR 47UH
L105	1-412-533-21	s MICRO INDUCTOR 47UH
L106	1-412-533-21	s MICRO INDUCTOR 47UH
L107	1-408-519-00	s COIL,CHOKE
L108	1-406-749-11	s COIL, CHOKE 100UH
L200	1-406-977-21	s COIL, CHOKE 100UH
L201	1-406-977-21	s COIL, CHOKE 100UH
L202	1-406-977-21	s COIL, CHOKE 100UH
L203	1-406-977-21	s COIL, CHOKE 100UH
L204	1-406-977-21	s COIL, CHOKE 100UH
L205	1-406-977-21	s COIL, CHOKE 100UH
PS101	△ 1-533-275-21	s FUSE, CHIP
Q101	8-729-117-32	s TRANSISTOR 2SC4177
Q102	8-729-140-63	s TRANSISTOR 2SA1611-M5M6
Q103	8-729-029-14	s TRANSISTOR DTC144EUA-T106
Q104	*b 8-729-055-72	s TRANSISTOR 2SJ418-TL
	*a 8-729-035-62	s TRANSISTOR 2SJ418
Q105	8-729-117-32	s TRANSISTOR 2SC4177
Q106	8-729-029-14	s TRANSISTOR DTC144EUA-T106
Q107	8-729-117-32	s TRANSISTOR 2SC4177
Q108	8-729-117-32	s TRANSISTOR 2SC4177
Q109	8-729-140-63	s TRANSISTOR 2SA1611-M5M6
Q110	*b 8-729-142-68	s TRANSISTOR 2SJ143
	*a 8-729-035-62	s TRANSISTOR 2SJ418
Q111	8-729-140-63	s TRANSISTOR 2SA1611-M5M6
Q112	8-729-117-32	s TRANSISTOR 2SC4177
Q113	*b 8-729-055-72	s TRANSISTOR 2SJ418-TL
	*a 8-729-035-62	s TRANSISTOR 2SJ418
Q114	*b 8-729-016-18	s TRANSISTOR 2SK2046S-TL
	*a 8-729-036-04	s TRANSISTOR 2SK2046
Q115	8-729-140-63	s TRANSISTOR 2SA1611-M5M6
Q116	8-729-117-32	s TRANSISTOR 2SC4177
Q117	*b 8-729-055-72	s TRANSISTOR 2SJ418-TL
	*a 8-729-035-62	s TRANSISTOR 2SJ418
Q118	*b 8-729-016-18	s TRANSISTOR 2SK2046S-TL
	*a 8-729-036-04	s TRANSISTOR 2SK2046
Q119	8-729-140-63	s TRANSISTOR 2SA1611-M5M6
Q120	8-729-117-32	s TRANSISTOR 2SC4177
Q121	*b 8-729-055-72	s TRANSISTOR 2SJ418-TL
	*a 8-729-035-62	s TRANSISTOR 2SJ418
Q122	*b 8-729-016-18	s TRANSISTOR 2SK2046S-TL
	*a 8-729-036-04	s TRANSISTOR 2SK2046
Q202	8-729-159-65	s TRANSISTOR 2SD596-DV5

Ref. No. or Q'ty	Part No.	SP Description
Q203	*b 8-729-055-72	s TRANSISTOR 2SJ418-TL
	*a 8-729-035-62	s TRANSISTOR 2SJ418
Q204	*b 8-729-055-72	s TRANSISTOR 2SJ418-TL
	*a 8-729-035-62	s TRANSISTOR 2SJ418
Q206	8-729-101-07	s TRANSISTOR 2SB798
Q210	*b 8-729-055-72	s TRANSISTOR 2SJ418-TL
	*a 8-729-035-62	s TRANSISTOR 2SJ418
Q212	8-729-807-51	s TRANSISTOR 2SD1623-S
Q213	*b 8-729-055-72	s TRANSISTOR 2SJ418-TL
	*a 8-729-035-62	s TRANSISTOR 2SJ418
Q214	*b 8-729-055-72	s TRANSISTOR 2SJ418-TL
	*a 8-729-035-62	s TRANSISTOR 2SJ418
Q218	*b 8-729-016-18	s TRANSISTOR 2SK2046S-TL
	*a 8-729-036-04	s TRANSISTOR 2SK2046
Q219	*b 8-729-055-72	s TRANSISTOR 2SJ418-TL
	*a 8-729-035-62	s TRANSISTOR 2SJ418
Q222	*b 8-729-016-18	s TRANSISTOR 2SK2046S-TL
	*a 8-729-036-04	s TRANSISTOR 2SK2046
Q224	*b 8-729-055-72	s TRANSISTOR 2SJ418-TL
	*a 8-729-035-62	s TRANSISTOR 2SJ418
Q228	*b 8-729-016-18	s TRANSISTOR 2SK2046S-TL
	*a 8-729-036-04	s TRANSISTOR 2SK2046
Q229	*b 8-729-055-72	s TRANSISTOR 2SJ418-TL
	*a 8-729-035-62	s TRANSISTOR 2SJ418
Q232	*b 8-729-016-18	s TRANSISTOR 2SK2046S-TL
	*a 8-729-036-04	s TRANSISTOR 2SK2046
Q300	8-729-209-07	s TRANSISTOR 2SC4213-B
Q400	8-729-029-14	s TRANSISTOR DTC144EUA-T106
Q401	8-729-029-14	s TRANSISTOR DTC144EUA-T106
Q402	8-729-140-63	s TRANSISTOR 2SA1611-M5M6
Q403	8-729-028-73	s TRANSISTOR DTA114EUA-T106
Q404	8-729-907-00	s TRANSISTOR DTC114EU
Q405	8-729-029-14	s TRANSISTOR DTC144EUA-T106
Q406	8-729-028-74	s TRANSISTOR DTA114TUA-T106
Q407	8-729-028-97	s TRANSISTOR DTC114TUA-T106
Q500	8-729-029-14	s TRANSISTOR DTC144EUA-T106
Q501	8-729-029-14	s TRANSISTOR DTC144EUA-T106
Q504	8-729-101-07	s TRANSISTOR 2SB798
Q505	8-729-029-06	s TRANSISTOR DTC124EUA-T106
Q506	8-729-029-06	s TRANSISTOR DTC124EUA-T106
Q911	8-729-140-63	s TRANSISTOR 2SA1611-M5M6
Q912	8-729-117-32	s TRANSISTOR 2SC4177
Q913	8-729-141-89	s TRANSISTOR 2SD1585-LK
Q914	8-729-141-83	s TRANSISTOR 2SB1094-LK
Q915	8-729-117-32	s TRANSISTOR 2SC4177
Q916	8-729-140-63	s TRANSISTOR 2SA1611-M5M6
Q932	8-729-029-14	s TRANSISTOR DTC144EUA-T106
Q951	8-729-028-91	s TRANSISTOR DTA144EUA-T106
R100	1-216-295-91	s CONDUCTOR, CHIP (2012)
R101	△ 1-212-873-11	s RESISTOR,FUSE 47 1/4W
R102	1-216-097-00	s RESISTOR CHIP 100K 1/10W(2012)
R103	1-216-097-00	s RESISTOR CHIP 100K 1/10W(2012)
R104	1-216-073-00	s RESISTOR,CHIP 10K 1/10W(2012)
R105	1-216-073-00	s RESISTOR,CHIP 10K 1/10W(2012)
R106	1-216-049-11	s RESISTOR, CHIP 1K 1/10W(2012)
R107	1-216-073-00	s RESISTOR,CHIP 10K 1/10W(2012)
R108	1-216-073-00	s RESISTOR,CHIP 10K 1/10W(2012)
R111	1-216-049-11	s RESISTOR, CHIP 1K 1/10W(2012)
R112	1-216-049-11	s RESISTOR, CHIP 1K 1/10W(2012)
R113	1-216-049-11	s RESISTOR, CHIP 1K 1/10W(2012)

(DR-307A BOARD for DVW-A500P/A510P, LOT No. 912 or higher)

(DR-307A BOARD for DVW-A500P/A510P, LOT No. 912 or higher)

Ref. No. or Q'ty	Part No.	SP	Description
R114	1-216-073-00	s	RESISTOR,CHIP 10K 1/10W(2012)
R115	1-216-057-00	s	RESISTOR CHIP 2.2K 1/10W(2012)
R116	1-216-089-91	s	RESISTOR, CHIP 47K 1/10W(2012)
R117	1-216-659-11	s	RESISTOR,CHIP 2.2K 1/10W(2012)
R118	1-216-659-11	s	RESISTOR,CHIP 2.2K 1/10W(2012)
R119	1-216-089-91	s	RESISTOR, CHIP 47K 1/10W(2012)
R121	1-216-089-91	s	RESISTOR, CHIP 47K 1/10W(2012)
R122	1-216-089-91	s	RESISTOR, CHIP 47K 1/10W(2012)
R123	1-216-113-00	s	RESISTOR CHIP 470K 1/10W(2012)
R124	1-216-113-00	s	RESISTOR CHIP 470K 1/10W(2012)
R125	1-216-105-91	s	RESISTOR,CHIP 220K 1/10W(2125)
R126	1-216-115-00	s	RESISTOR,CHIP 560K 1/10W(2012)
R127	1-216-105-91	s	RESISTOR,CHIP 220K 1/10W(2125)
R128	1-216-093-00	s	RESISTOR, CHIP 68K 1/10W(2012)
R129	1-216-099-00	s	RESISTOR,CHIP 120K 1/10W(2012)
R130	1-216-091-00	s	RESISTOR CHIP 56K 1/10W(2012)
R131	1-216-065-91	s	RESISTOR,CHIP 4.7K 1/10W(2012)
R132	1-216-089-91	s	RESISTOR, CHIP 47K 1/10W(2012)
R133	1-216-089-91	s	RESISTOR, CHIP 47K 1/10W(2012)
R134	1-216-073-00	s	RESISTOR,CHIP 10K 1/10W(2012)
R135	*a 1-216-073-00	s	RESISTOR,CHIP 10K 1/10W(2012)
R136	*a 1-216-073-00	s	RESISTOR,CHIP 10K 1/10W(2012)
R137	*a 1-216-073-00	s	RESISTOR,CHIP 10K 1/10W(2012)
R138	*a 1-216-073-00	s	RESISTOR,CHIP 10K 1/10W(2012)
R139	*a 1-216-073-00	s	RESISTOR,CHIP 10K 1/10W(2012)
R140	*a 1-216-073-00	s	RESISTOR,CHIP 10K 1/10W(2012)
R141	*a 1-216-073-00	s	RESISTOR,CHIP 10K 1/10W(2012)
R142	*a 1-216-073-00	s	RESISTOR,CHIP 10K 1/10W(2012)
R143	*a 1-216-073-00	s	RESISTOR,CHIP 10K 1/10W(2012)
R144	*a 1-216-073-00	s	RESISTOR,CHIP 10K 1/10W(2012)
R145	1-216-073-00	s	RESISTOR,CHIP 10K 1/10W(2012)
R146	*a 1-216-049-11	s	RESISTOR, CHIP 1K 1/10W(2012)
R147	*a 1-216-049-11	s	RESISTOR, CHIP 1K 1/10W(2012)
R148	*a 1-216-049-11	s	RESISTOR, CHIP 1K 1/10W(2012)
R149	1-216-073-00	s	RESISTOR,CHIP 10K 1/10W(2012)
R150	1-216-049-11	s	RESISTOR, CHIP 1K 1/10W(2012)
R151	1-216-049-11	s	RESISTOR, CHIP 1K 1/10W(2012)
R152	1-216-073-00	s	RESISTOR,CHIP 10K 1/10W(2012)
R153	1-216-049-11	s	RESISTOR, CHIP 1K 1/10W(2012)
R154	*a 1-216-089-91	s	RESISTOR, CHIP 47K 1/10W(2012)
R155	*a 1-216-089-91	s	RESISTOR, CHIP 47K 1/10W(2012)
R156	1-216-057-00	s	RESISTOR CHIP 2.2K 1/10W(2012)
R157	*a 1-216-089-91	s	RESISTOR, CHIP 47K 1/10W(2012)
R158	*a 1-216-089-91	s	RESISTOR, CHIP 47K 1/10W(2012)
R159	1-216-689-11	s	RESISTOR,CHIP 39K 1/10W(2012)
R160	1-216-073-00	s	RESISTOR,CHIP 10K 1/10W(2012)
R161	*a 1-216-089-91	s	RESISTOR, CHIP 47K 1/10W(2012)
R162	*a 1-216-089-91	s	RESISTOR, CHIP 47K 1/10W(2012)
R163	*a 1-216-073-00	s	RESISTOR,CHIP 10K 1/10W(2012)
R164	*a 1-216-089-91	s	RESISTOR, CHIP 47K 1/10W(2012)
R165	*a 1-216-073-00	s	RESISTOR,CHIP 10K 1/10W(2012)
R166	1-216-047-91	s	RESISTOR, CHIP 820 1/10W(2125)
R167	*a 1-216-089-91	s	RESISTOR, CHIP 47K 1/10W(2012)
R168	*a 1-216-089-91	s	RESISTOR, CHIP 47K 1/10W(2012)
R169	*a 1-216-073-00	s	RESISTOR,CHIP 10K 1/10W(2012)
R170	*a 1-216-089-91	s	RESISTOR, CHIP 47K 1/10W(2012)
R171	*a 1-216-089-91	s	RESISTOR, CHIP 47K 1/10W(2012)
R172	*a 1-216-073-00	s	RESISTOR,CHIP 10K 1/10W(2012)
R173	1-216-689-11	s	RESISTOR,CHIP 39K 1/10W(2012)

Ref. No. or Q'ty	Part No.	SP	Description
R174	*a 1-216-089-91	s	RESISTOR, CHIP 47K 1/10W(2012)
R175	*a 1-216-073-00	s	RESISTOR,CHIP 10K 1/10W(2012)
R176	1-216-675-11	s	RESISTOR,CHIP 10K 1/10W(2012)
R177	1-216-675-11	s	RESISTOR,CHIP 10K 1/10W(2012)
R178	*a 1-216-089-91	s	RESISTOR, CHIP 47K 1/10W(2012)
R179	1-217-611-00	s	RESISTOR,METAL 0.1 2W
R180	1-216-049-11	s	RESISTOR, CHIP 1K 1/10W(2012)
R181	1-216-049-11	s	RESISTOR, CHIP 1K 1/10W(2012)
R182	*a 1-216-089-91	s	RESISTOR, CHIP 47K 1/10W(2012)
R183	1-216-073-00	s	RESISTOR,CHIP 10K 1/10W(2012)
R184	1-216-049-11	s	RESISTOR, CHIP 1K 1/10W(2012)
R185	1-216-049-11	s	RESISTOR, CHIP 1K 1/10W(2012)
R186	1-216-073-00	s	RESISTOR,CHIP 10K 1/10W(2012)
R187	*a 1-216-073-00	s	RESISTOR,CHIP 10K 1/10W(2012)
R188	*a 1-216-073-00	s	RESISTOR,CHIP 10K 1/10W(2012)
R189	1-216-049-11	s	RESISTOR, CHIP 1K 1/10W(2012)
R190	1-216-089-91	s	RESISTOR, CHIP 47K 1/10W(2012)
R200	1-216-073-00	s	RESISTOR,CHIP 10K 1/10W(2012)
R201	1-216-073-00	s	RESISTOR,CHIP 10K 1/10W(2012)
R202	1-216-073-00	s	RESISTOR,CHIP 10K 1/10W(2012)
R203	1-215-889-00	s	RESISTOR,METAL FILM 330 2W
R204	1-216-057-00	s	RESISTOR CHIP 2.2K 1/10W(2012)
R205	1-216-089-91	s	RESISTOR, CHIP 47K 1/10W(2012)
R206	1-216-073-00	s	RESISTOR,CHIP 10K 1/10W(2012)
R207	1-216-097-00	s	RESISTOR CHIP 100K 1/10W(2012)
R208	1-216-097-00	s	RESISTOR CHIP 100K 1/10W(2012)
R209	1-216-073-00	s	RESISTOR,CHIP 10K 1/10W(2012)
R210	1-216-049-11	s	RESISTOR, CHIP 1K 1/10W(2012)
R212	1-216-385-11	s	RESISTOR,METAL FILM 0.47 3W
R213	1-216-675-11	s	RESISTOR,CHIP 10K 1/10W(2012)
R214	1-216-675-11	s	RESISTOR,CHIP 10K 1/10W(2012)
R215	1-216-691-11	s	RESISTOR,CHIP 47K 1/10W(2012)
R216	1-216-675-11	s	RESISTOR,CHIP 10K 1/10W(2012)
R217	1-216-669-11	s	RESISTOR,CHIP 5.6K 1/10W(2012)
R218	1-216-691-11	s	RESISTOR,CHIP 47K 1/10W(2012)
R220	1-216-089-91	s	RESISTOR, CHIP 47K 1/10W(2012)
R221	1-216-073-00	s	RESISTOR,CHIP 10K 1/10W(2012)
R222	1-216-073-00	s	RESISTOR,CHIP 10K 1/10W(2012)
R223	1-216-073-00	s	RESISTOR,CHIP 10K 1/10W(2012)
R224	1-216-073-00	s	RESISTOR,CHIP 10K 1/10W(2012)
R225	1-216-073-00	s	RESISTOR,CHIP 10K 1/10W(2012)
R226	1-216-073-00	s	RESISTOR,CHIP 10K 1/10W(2012)
R227	1-216-383-11	s	RESISTOR,METAL FILM 0.33 3W
R228	1-216-383-11	s	RESISTOR,METAL FILM 0.33 3W
R229	1-216-383-11	s	RESISTOR,METAL FILM 0.33 3W
R230	1-216-073-00	s	RESISTOR,CHIP 10K 1/10W(2012)
R231	1-217-611-00	s	RESISTOR,METAL 0.1 2W
R232	1-216-073-00	s	RESISTOR,CHIP 10K 1/10W(2012)
R235	1-215-889-00	s	RESISTOR,METAL FILM 330 2W
R237	1-216-073-00	s	RESISTOR,CHIP 10K 1/10W(2012)
R238	1-216-071-00	s	RESISTOR,CHIP 8.2K 1/10W(2012)
R239	1-216-693-11	s	RESISTOR CHIP 56K 1/10W (2012)
R240	1-216-071-00	s	RESISTOR,CHIP 8.2K 1/10W(2012)
R241	1-216-693-11	s	RESISTOR CHIP 56K 1/10W (2012)
R242	1-216-693-11	s	RESISTOR CHIP 56K 1/10W (2012)
R243	1-216-693-11	s	RESISTOR CHIP 56K 1/10W (2012)
R244	1-216-675-11	s	RESISTOR,CHIP 10K 1/10W(2012)
R245	1-216-675-11	s	RESISTOR,CHIP 10K 1/10W(2012)
R246	1-216-675-11	s	RESISTOR,CHIP 10K 1/10W(2012)

(DR-307A BOARD for DVW-A500P/A510P, LOT No. 912 or higher)

(DR-307A BOARD for DVW-A500P/A510P, LOT No. 912 or higher)

Ref. No. or Q'ty	Part No.	SP Description
R247	1-216-675-11	s RESISTOR,CHIP 10K 1/10W(2012)
R248	1-216-385-11	s RESISTOR,METAL FILM 0.47 3W
R249	1-216-385-11	s RESISTOR,METAL FILM 0.47 3W
R250	1-216-071-00	s RESISTOR,CHIP 8.2K 1/10W(2012)
R251	1-216-071-00	s RESISTOR,CHIP 8.2K 1/10W(2012)
R252	1-216-071-00	s RESISTOR,CHIP 8.2K 1/10W(2012)
R253	1-216-071-00	s RESISTOR,CHIP 8.2K 1/10W(2012)
R254	1-216-071-00	s RESISTOR,CHIP 8.2K 1/10W(2012)
R255	1-216-071-00	s RESISTOR,CHIP 8.2K 1/10W(2012)
R256	1-216-073-00	s RESISTOR,CHIP 10K 1/10W(2012)
R257	1-216-073-00	s RESISTOR,CHIP 10K 1/10W(2012)
R258	1-216-073-00	s RESISTOR,CHIP 10K 1/10W(2012)
R259	1-216-073-00	s RESISTOR,CHIP 10K 1/10W(2012)
R260	1-216-073-00	s RESISTOR,CHIP 10K 1/10W(2012)
R261	1-216-073-00	s RESISTOR,CHIP 10K 1/10W(2012)
R262	1-216-073-00	s RESISTOR,CHIP 10K 1/10W(2012)
R263	1-216-073-00	s RESISTOR,CHIP 10K 1/10W(2012)
R264	1-216-073-00	s RESISTOR,CHIP 10K 1/10W(2012)
R265	1-216-073-00	s RESISTOR,CHIP 10K 1/10W(2012)
R266	1-216-073-00	s RESISTOR,CHIP 10K 1/10W(2012)
R267	1-216-073-00	s RESISTOR,CHIP 10K 1/10W(2012)
R268	1-217-611-00	s RESISTOR,METAL 0.1 2W
R272	1-216-073-00	s RESISTOR,CHIP 10K 1/10W(2012)
R300	1-216-065-91	s RESISTOR,CHIP 4.7K 1/10W(2012)
R301	1-216-089-91	s RESISTOR, CHIP 47K 1/10W(2012)
R302	1-216-073-00	s RESISTOR,CHIP 10K 1/10W(2012)
R303	1-216-067-00	s RESISTOR,CHIP 5.6K 1/10W(2012)
R304	1-216-073-00	s RESISTOR,CHIP 10K 1/10W(2012)
R305	1-216-683-11	s RESISTOR,CHIP 22K 1/10W (2012)
R306	1-216-683-11	s RESISTOR,CHIP 22K 1/10W (2012)
R307	1-216-695-11	s RESISTOR,CHIP 68K 1/10W(2012)
R308	1-216-073-00	s RESISTOR,CHIP 10K 1/10W(2012)
R309	1-216-097-00	s RESISTOR CHIP 100K 1/10W(2012)
R310	1-216-085-00	s RESISTOR CHIP 33K 1/10W(2012)
R311	1-216-073-00	s RESISTOR,CHIP 10K 1/10W(2012)
R312	1-216-097-00	s RESISTOR CHIP 100K 1/10W(2012)
R313	1-216-695-11	s RESISTOR,CHIP 68K 1/10W(2012)
R314	1-216-695-11	s RESISTOR,CHIP 68K 1/10W(2012)
R315	1-216-121-00	s RESISTOR CHIP 1M 1/10W(2012)
R316	1-216-695-11	s RESISTOR,CHIP 68K 1/10W(2012)
R317	1-216-097-00	s RESISTOR CHIP 100K 1/10W(2012)
R318	1-216-073-00	s RESISTOR,CHIP 10K 1/10W(2012)
R319	1-216-057-00	s RESISTOR CHIP 2.2K 1/10W(2012)
R320	1-216-089-91	s RESISTOR, CHIP 47K 1/10W(2012)
R321	1-216-073-00	s RESISTOR,CHIP 10K 1/10W(2012)
R322	1-216-073-00	s RESISTOR,CHIP 10K 1/10W(2012)
R323	1-216-067-00	s RESISTOR,CHIP 5.6K 1/10W(2012)
R324	1-216-683-11	s RESISTOR,CHIP 22K 1/10W (2012)
R325	1-216-683-11	s RESISTOR,CHIP 22K 1/10W (2012)
R326	1-216-695-11	s RESISTOR,CHIP 68K 1/10W(2012)
R327	1-216-073-00	s RESISTOR,CHIP 10K 1/10W(2012)
R328	1-216-695-11	s RESISTOR,CHIP 68K 1/10W(2012)
R329	1-216-695-11	s RESISTOR,CHIP 68K 1/10W(2012)
R330	1-216-097-00	s RESISTOR CHIP 100K 1/10W(2012)
R331	1-216-085-00	s RESISTOR CHIP 33K 1/10W(2012)
R332	1-216-097-00	s RESISTOR CHIP 100K 1/10W(2012)
R333	1-216-073-00	s RESISTOR,CHIP 10K 1/10W(2012)
R334	1-216-121-00	s RESISTOR CHIP 1M 1/10W(2012)
R335	1-216-695-11	s RESISTOR,CHIP 68K 1/10W(2012)

Ref. No. or Q'ty	Part No.	SP Description
R336	1-216-683-11	s RESISTOR,CHIP 22K 1/10W (2012)
R337	1-216-073-00	s RESISTOR,CHIP 10K 1/10W(2012)
R338	1-216-057-00	s RESISTOR CHIP 2.2K 1/10W(2012)
R339	1-216-089-91	s RESISTOR, CHIP 47K 1/10W(2012)
R340	1-216-089-91	s RESISTOR, CHIP 47K 1/10W(2012)
R341	1-216-081-00	s RESISTOR,CHIP 22K 1/10W(2012)
R342	1-216-081-00	s RESISTOR,CHIP 22K 1/10W(2012)
R343	1-216-081-00	s RESISTOR,CHIP 22K 1/10W(2012)
R344	1-216-081-00	s RESISTOR,CHIP 22K 1/10W(2012)
R345	1-216-666-11	s RESISTOR,CHIP 4.3K 1/10W(2012)
R346	1-216-666-11	s RESISTOR,CHIP 4.3K 1/10W(2012)
R347	1-216-121-00	s RESISTOR CHIP 1M 1/10W(2012)
R348	1-216-121-00	s RESISTOR CHIP 1M 1/10W(2012)
R349	1-216-025-00	s RESISTOR,CHIP 100 1/10W(2012)
R350	1-216-025-00	s RESISTOR,CHIP 100 1/10W(2012)
R351	1-216-057-00	s RESISTOR CHIP 2.2K 1/10W(2012)
R352	1-216-057-00	s RESISTOR CHIP 2.2K 1/10W(2012)
R353	1-216-089-91	s RESISTOR, CHIP 47K 1/10W(2012)
R354	1-216-089-91	s RESISTOR, CHIP 47K 1/10W(2012)
R355	1-216-081-00	s RESISTOR,CHIP 22K 1/10W(2012)
R356	1-216-081-00	s RESISTOR,CHIP 22K 1/10W(2012)
R357	1-216-081-00	s RESISTOR,CHIP 22K 1/10W(2012)
R358	1-216-081-00	s RESISTOR,CHIP 22K 1/10W(2012)
R359	1-216-666-11	s RESISTOR,CHIP 4.3K 1/10W(2012)
R360	1-216-666-11	s RESISTOR,CHIP 4.3K 1/10W(2012)
R361	1-216-121-00	s RESISTOR CHIP 1M 1/10W(2012)
R362	1-216-121-00	s RESISTOR CHIP 1M 1/10W(2012)
R363	1-216-057-00	s RESISTOR CHIP 2.2K 1/10W(2012)
R364	1-216-057-00	s RESISTOR CHIP 2.2K 1/10W(2012)
R365	1-216-089-91	s RESISTOR, CHIP 47K 1/10W(2012)
R366	1-216-041-00	s RESISTOR, CHIP 470 1/10W(2012)
R367	1-216-081-00	s RESISTOR,CHIP 22K 1/10W(2012)
R368	1-216-081-00	s RESISTOR,CHIP 22K 1/10W(2012)
R369	1-216-089-91	s RESISTOR, CHIP 47K 1/10W(2012)
R370	1-216-683-11	s RESISTOR,CHIP 22K 1/10W (2012)
R371	1-216-049-11	s RESISTOR, CHIP 1K 1/10W(2012)
R372	1-216-073-00	s RESISTOR,CHIP 10K 1/10W(2012)
R373	1-216-683-11	s RESISTOR,CHIP 22K 1/10W (2012)
R374	1-216-109-00	s RESISTOR CHIP 330K 1/10W(2012)
R375	1-216-109-00	s RESISTOR CHIP 330K 1/10W(2012)
R376	1-216-097-00	s RESISTOR CHIP 100K 1/10W(2012)
R377	1-216-073-00	s RESISTOR,CHIP 10K 1/10W(2012)
R378	1-216-081-00	s RESISTOR,CHIP 22K 1/10W(2012)
R379	1-216-081-00	s RESISTOR,CHIP 22K 1/10W(2012)
R380	1-216-089-91	s RESISTOR, CHIP 47K 1/10W(2012)
R381	1-216-025-00	s RESISTOR,CHIP 100 1/10W(2012)
R382	1-216-025-00	s RESISTOR,CHIP 100 1/10W(2012)
R383	1-216-089-91	s RESISTOR, CHIP 47K 1/10W(2012)
R384	1-216-081-00	s RESISTOR,CHIP 22K 1/10W(2012)
R385	1-216-683-11	s RESISTOR,CHIP 22K 1/10W (2012)
R386	1-216-097-00	s RESISTOR CHIP 100K 1/10W(2012)
R387	1-216-063-91	s RESISTOR,CHIP 3.9K 1/10W(2125)
R388	1-216-063-91	s RESISTOR,CHIP 3.9K 1/10W(2125)
R389	1-216-063-91	s RESISTOR,CHIP 3.9K 1/10W(2125)
R390	1-216-063-91	s RESISTOR,CHIP 3.9K 1/10W(2125)
R391	1-216-025-00	s RESISTOR,CHIP 100 1/10W(2012)
R392	1-216-025-00	s RESISTOR,CHIP 100 1/10W(2012)
R393	1-216-025-00	s RESISTOR,CHIP 100 1/10W(2012)
R394	1-216-025-00	s RESISTOR,CHIP 100 1/10W(2012)

(DR-307A BOARD for DVW-A500P/A510P, LOT No. 912 or higher)

(DR-307A BOARD for DVW-A500P/A510P, LOT No. 912 or higher)

Ref. No. or Q'ty	Part No.	SP	Description
R395	1-216-025-00	s	RESISTOR,CHIP 100 1/10W(2012)
R396	1-216-025-00	s	RESISTOR,CHIP 100 1/10W(2012)
R397	1-216-025-00	s	RESISTOR,CHIP 100 1/10W(2012)
R398	1-216-025-00	s	RESISTOR,CHIP 100 1/10W(2012)
R399	1-216-025-00	s	RESISTOR,CHIP 100 1/10W(2012)
R400	1-216-025-00	s	RESISTOR,CHIP 100 1/10W(2012)
R401	1-216-025-00	s	RESISTOR,CHIP 100 1/10W(2012)
R402	1-216-089-91	s	RESISTOR, CHIP 47K 1/10W(2012)
R403	1-216-065-91	s	RESISTOR,CHIP 4.7K 1/10W(2012)
R404	1-216-646-11	s	RESISTOR,CHIP 620 1/10W (2012)
R405	1-216-065-91	s	RESISTOR,CHIP 4.7K 1/10W(2012)
R406	1-216-089-91	s	RESISTOR, CHIP 47K 1/10W(2012)
R407	1-216-690-11	s	RESISTOR,CHIP 43K 1/10W(2012)
R408	*f 1-216-690-11	s	RESISTOR,CHIP 43K 1/10W(2012)
	*e 1-216-691-11	s	RESISTOR,CHIP 47K 1/10W(2012)
R409	1-216-055-00	s	RESISTOR CHIP 1.8K 1/10W(2012)
R410	1-216-089-91	s	RESISTOR, CHIP 47K 1/10W(2012)
R411	1-216-089-91	s	RESISTOR, CHIP 47K 1/10W(2012)
R412	1-216-073-00	s	RESISTOR,CHIP 10K 1/10W(2012)
R413	1-216-075-00	s	RESISTOR CHIP 12K 1/10W(2012)
R414	1-216-133-00	s	RESISTOR,CHIP 3.3M 1/10W(2012)
R415	1-216-073-00	s	RESISTOR,CHIP 10K 1/10W(2012)
R416	1-216-073-00	s	RESISTOR,CHIP 10K 1/10W(2012)
R417	1-216-073-00	s	RESISTOR,CHIP 10K 1/10W(2012)
R418	1-216-097-00	s	RESISTOR CHIP 100K 1/10W(2012)
R419	1-216-069-00	s	RESISTOR,CHIP 6.8K 1/10W(2012)
R420	1-216-065-91	s	RESISTOR,CHIP 4.7K 1/10W(2012)
R421	1-216-025-00	s	RESISTOR,CHIP 100 1/10W(2012)
R422	1-216-097-00	s	RESISTOR CHIP 100K 1/10W(2012)
R423	1-216-663-11	s	RESISTOR,CHIP 3.3K 1/10W(2012)
R424	1-216-073-00	s	RESISTOR,CHIP 10K 1/10W(2012)
R425	1-216-629-11	s	RESISTOR,CHIP 120 1/10W (2012)
R426	1-216-651-11	s	RESISTOR,CHIP 1K 1/10W(2012)
R427	1-216-025-00	s	RESISTOR,CHIP 100 1/10W(2012)
R428	1-216-049-11	s	RESISTOR, CHIP 1K 1/10W(2012)
R429	1-216-089-91	s	RESISTOR, CHIP 47K 1/10W(2012)
R430	1-216-053-00	s	RESISTOR CHIP 1.5K 1/10W(2012)
R431	1-216-073-00	s	RESISTOR,CHIP 10K 1/10W(2012)
R432	1-216-121-00	s	RESISTOR CHIP 1M 1/10W(2012)
R433	1-216-097-00	s	RESISTOR CHIP 100K 1/10W(2012)
R500	1-216-059-00	s	RESISTOR,CHIP 2.7K 1/10W(2012)
R501	1-216-089-91	s	RESISTOR, CHIP 47K 1/10W(2012)
R502	1-216-666-11	s	RESISTOR,CHIP 4.3K 1/10W(2012)
R503	1-216-666-11	s	RESISTOR,CHIP 4.3K 1/10W(2012)
R504	1-216-666-11	s	RESISTOR,CHIP 4.3K 1/10W(2012)
R505	1-216-107-00	s	RESISTOR,CHIP 270K 1/10W(2012)
R506	1-216-089-91	s	RESISTOR, CHIP 47K 1/10W(2012)
R507	1-216-089-91	s	RESISTOR, CHIP 47K 1/10W(2012)
R508	1-216-065-91	s	RESISTOR,CHIP 4.7K 1/10W(2012)
R509	1-216-065-91	s	RESISTOR,CHIP 4.7K 1/10W(2012)
R510	1-216-666-11	s	RESISTOR,CHIP 4.3K 1/10W(2012)
R511	1-216-089-91	s	RESISTOR, CHIP 47K 1/10W(2012)
R512	1-216-081-00	s	RESISTOR,CHIP 22K 1/10W(2012)
R513	1-216-045-00	s	RESISTOR,CHIP 680 1/10W(2012)
R514	1-216-065-91	s	RESISTOR,CHIP 4.7K 1/10W(2012)
R515	1-216-059-00	s	RESISTOR,CHIP 2.7K 1/10W(2012)
R516	1-216-089-91	s	RESISTOR, CHIP 47K 1/10W(2012)
R517	1-216-666-11	s	RESISTOR,CHIP 4.3K 1/10W(2012)
R518	1-216-666-11	s	RESISTOR,CHIP 4.3K 1/10W(2012)
R519	1-216-666-11	s	RESISTOR,CHIP 4.3K 1/10W(2012)

Ref. No. or Q'ty	Part No.	SP	Description
R520	1-216-107-00	s	RESISTOR,CHIP 270K 1/10W(2012)
R521	1-216-089-91	s	RESISTOR, CHIP 47K 1/10W(2012)
R522	1-216-089-91	s	RESISTOR, CHIP 47K 1/10W(2012)
R523	1-216-065-91	s	RESISTOR,CHIP 4.7K 1/10W(2012)
R524	1-216-065-91	s	RESISTOR,CHIP 4.7K 1/10W(2012)
R525	1-216-666-11	s	RESISTOR,CHIP 4.3K 1/10W(2012)
R526	1-216-089-91	s	RESISTOR, CHIP 47K 1/10W(2012)
R527	1-216-081-00	s	RESISTOR,CHIP 22K 1/10W(2012)
R528	1-216-045-00	s	RESISTOR,CHIP 680 1/10W(2012)
R529	1-216-065-91	s	RESISTOR,CHIP 4.7K 1/10W(2012)
R530	1-216-089-91	s	RESISTOR, CHIP 47K 1/10W(2012)
R531	1-216-089-91	s	RESISTOR, CHIP 47K 1/10W(2012)
R532	1-216-666-11	s	RESISTOR,CHIP 4.3K 1/10W(2012)
R533	1-216-077-00	s	RESISTOR,CHIP 15K 1/10W(2012)
R534	1-216-666-11	s	RESISTOR,CHIP 4.3K 1/10W(2012)
R535	1-216-113-00	s	RESISTOR CHIP 470K 1/10W(2012)
R536	1-216-089-91	s	RESISTOR, CHIP 47K 1/10W(2012)
R537	1-216-089-91	s	RESISTOR, CHIP 47K 1/10W(2012)
R538	1-216-065-91	s	RESISTOR,CHIP 4.7K 1/10W(2012)
R539	1-216-065-91	s	RESISTOR,CHIP 4.7K 1/10W(2012)
R540	1-216-666-11	s	RESISTOR,CHIP 4.3K 1/10W(2012)
R541	1-216-089-91	s	RESISTOR, CHIP 47K 1/10W(2012)
R542	1-216-081-00	s	RESISTOR,CHIP 22K 1/10W(2012)
R543	1-216-045-00	s	RESISTOR,CHIP 680 1/10W(2012)
R544	1-216-065-91	s	RESISTOR,CHIP 4.7K 1/10W(2012)
R545	1-217-611-00	s	RESISTOR,METAL 0.1 2W
R546	1-216-073-00	s	RESISTOR,CHIP 10K 1/10W(2012)
R547	1-216-073-00	s	RESISTOR,CHIP 10K 1/10W(2012)
R548	1-216-073-00	s	RESISTOR,CHIP 10K 1/10W(2012)
R549	1-216-001-00	s	RESISTOR, CHIP 10 1/10W(2012)
R550	1-216-295-91	s	CONDUCTOR, CHIP (2012)
R551	1-216-073-00	s	RESISTOR,CHIP 10K 1/10W(2012)
R552	1-216-001-00	s	RESISTOR, CHIP 10 1/10W(2012)
R553	1-216-666-11	s	RESISTOR,CHIP 4.3K 1/10W(2012)
R554	1-216-073-00	s	RESISTOR,CHIP 10K 1/10W(2012)
R555	1-216-666-11	s	RESISTOR,CHIP 4.3K 1/10W(2012)
R556	1-216-117-00	s	RESISTOR,CHIP 680K 1/10W(2012)
R701	1-216-049-11	s	RESISTOR, CHIP 1K 1/10W(2012)
R702	1-216-049-11	s	RESISTOR, CHIP 1K 1/10W(2012)
R703	1-216-073-00	s	RESISTOR,CHIP 10K 1/10W(2012)
R704	1-216-073-00	s	RESISTOR,CHIP 10K 1/10W(2012)
R705	1-216-065-91	s	RESISTOR,CHIP 4.7K 1/10W(2012)
R706	1-216-065-91	s	RESISTOR,CHIP 4.7K 1/10W(2012)
R707	1-216-065-91	s	RESISTOR,CHIP 4.7K 1/10W(2012)
R708	1-216-109-00	s	RESISTOR CHIP 330K 1/10W(2012)
R709	1-216-075-00	s	RESISTOR CHIP 12K 1/10W(2012)
R710	1-216-121-00	s	RESISTOR CHIP 1M 1/10W(2012)
R711	1-216-089-91	s	RESISTOR, CHIP 47K 1/10W(2012)
R712	1-216-091-00	s	RESISTOR CHIP 56K 1/10W(2012)
R713	1-216-089-91	s	RESISTOR, CHIP 47K 1/10W(2012)
R714	1-216-089-91	s	RESISTOR, CHIP 47K 1/10W(2012)
R715	1-216-083-00	s	RESISTOR CHIP 27K 1/10W(2012)
R716	1-216-073-00	s	RESISTOR,CHIP 10K 1/10W(2012)
R717	1-216-085-00	s	RESISTOR CHIP 33K 1/10W(2012)
R718	1-216-097-00	s	RESISTOR CHIP 100K 1/10W(2012)
R719	1-216-065-91	s	RESISTOR,CHIP 4.7K 1/10W(2012)
R720	1-216-065-91	s	RESISTOR,CHIP 4.7K 1/10W(2012)
R721	1-216-069-00	s	RESISTOR,CHIP 6.8K 1/10W(2012)
R722	1-216-069-00	s	RESISTOR,CHIP 6.8K 1/10W(2012)

(DR-307A BOARD for DVW-A500P/A510P, LOT No. 912 or higher)

(DR-307A BOARD for DVW-A500P/A510P, LOT No. 912 or higher)

Ref. No. or Q'ty	Part No.	SP Description
R723	1-216-097-00	s RESISTOR,CHIP 100K 1/10W(2012)
R724	1-216-073-00	s RESISTOR,CHIP 10K 1/10W(2012)
R725	1-216-099-00	s RESISTOR,CHIP 120K 1/10W(2012)
R726	1-216-073-00	s RESISTOR,CHIP 10K 1/10W(2012)
R727	1-216-067-00	s RESISTOR,CHIP 5.6K 1/10W(2012)
R728	1-216-067-00	s RESISTOR,CHIP 5.6K 1/10W(2012)
R729	1-216-033-00	s RESISTOR,CHIP 220 1/10W(2012)
R730	1-216-097-00	s RESISTOR,CHIP 100K 1/10W(2012)
R731	1-216-097-00	s RESISTOR,CHIP 100K 1/10W(2012)
R732	1-216-071-00	s RESISTOR,CHIP 8.2K 1/10W(2012)
R733	1-216-073-00	s RESISTOR,CHIP 10K 1/10W(2012)
R734	1-216-097-00	s RESISTOR,CHIP 100K 1/10W(2012)
R735	1-216-097-00	s RESISTOR,CHIP 100K 1/10W(2012)
R736	1-216-085-00	s RESISTOR,CHIP 33K 1/10W(2012)
R737	1-216-073-00	s RESISTOR,CHIP 10K 1/10W(2012)
R738	1-216-099-00	s RESISTOR,CHIP 120K 1/10W(2012)
R739	1-216-071-00	s RESISTOR,CHIP 8.2K 1/10W(2012)
R740	1-216-071-00	s RESISTOR,CHIP 8.2K 1/10W(2012)
R741	1-216-121-00	s RESISTOR,CHIP 1M 1/10W(2012)
R742	1-216-109-00	s RESISTOR,CHIP 330K 1/10W(2012)
R743	1-216-073-00	s RESISTOR,CHIP 10K 1/10W(2012)
R744	1-216-073-00	s RESISTOR,CHIP 10K 1/10W(2012)
R745	1-216-081-00	s RESISTOR,CHIP 22K 1/10W(2012)
R746	1-216-089-91	s RESISTOR,CHIP 47K 1/10W(2012)
R747	1-216-057-00	s RESISTOR,CHIP 2.2K 1/10W(2012)
R748	1-216-057-00	s RESISTOR,CHIP 2.2K 1/10W(2012)
R749	1-216-057-00	s RESISTOR,CHIP 2.2K 1/10W(2012)
R750	1-219-684-11	s RESISTOR,CHIP 0.01 1W
R751	1-216-025-00	s RESISTOR,CHIP 100 1/10W(2012)
R752	1-216-025-00	s RESISTOR,CHIP 100 1/10W(2012)
R753	1-216-081-00	s RESISTOR,CHIP 22K 1/10W(2012)
R754	1-216-089-91	s RESISTOR,CHIP 47K 1/10W(2012)
R755	1-216-057-00	s RESISTOR,CHIP 2.2K 1/10W(2012)
R756	1-216-057-00	s RESISTOR,CHIP 2.2K 1/10W(2012)
R757	1-216-057-00	s RESISTOR,CHIP 2.2K 1/10W(2012)
R758	1-216-081-00	s RESISTOR,CHIP 22K 1/10W(2012)
R759	1-216-089-91	s RESISTOR,CHIP 47K 1/10W(2012)
R760	1-216-057-00	s RESISTOR,CHIP 2.2K 1/10W(2012)
R761	1-216-057-00	s RESISTOR,CHIP 2.2K 1/10W(2012)
R762	1-216-057-00	s RESISTOR,CHIP 2.2K 1/10W(2012)
R800	1-216-017-91	s RESISTOR,CHIP 47 1/10W(2012)
R801	1-216-017-91	s RESISTOR,CHIP 47 1/10W(2012)
R802	1-216-017-91	s RESISTOR,CHIP 47 1/10W(2012)
R803	1-216-017-91	s RESISTOR,CHIP 47 1/10W(2012)
R804	1-216-017-91	s RESISTOR,CHIP 47 1/10W(2012)
R805	1-216-017-91	s RESISTOR,CHIP 47 1/10W(2012)
R806	1-216-017-91	s RESISTOR,CHIP 47 1/10W(2012)
R807	1-216-017-91	s RESISTOR,CHIP 47 1/10W(2012)
R902	1-218-236-91	s RESISTOR,CHIP 1 1/4W
R912	1-216-295-91	s CONDUCTOR,CHIP (2012)
R913	1-216-049-11	s RESISTOR,CHIP 1K 1/10W(2012)
R914	1-216-113-00	s RESISTOR,CHIP 470K 1/10W(2012)
R915	1-216-073-00	s RESISTOR,CHIP 10K 1/10W(2012)
R916	1-216-073-00	s RESISTOR,CHIP 10K 1/10W(2012)
R918	1-216-073-00	s RESISTOR,CHIP 10K 1/10W(2012)
R921	1-216-049-11	s RESISTOR,CHIP 1K 1/10W(2012)
R922	1-216-049-11	s RESISTOR,CHIP 1K 1/10W(2012)
R923	1-216-025-00	s RESISTOR,CHIP 100 1/10W(2012)
R924	1-216-037-00	s RESISTOR,CHIP 330 1/10W(2012)

Ref. No. or Q'ty	Part No.	SP Description
R925	1-216-037-00	s RESISTOR,CHIP 330 1/10W(2012)
R928	△ 1-216-355-11	s RESISTOR,METAL FILM 3.3/1W
R929	△ 1-216-355-11	s RESISTOR,METAL FILM 3.3/1W
R930	△ 1-215-905-11	s RESISTOR,METAL FILM 10/3W
R931	1-216-033-00	s RESISTOR,CHIP 220 1/10W(2012)
R932	1-216-033-00	s RESISTOR,CHIP 220 1/10W(2012)
R933	1-216-097-00	s RESISTOR,CHIP 100K 1/10W(2012)
R934	1-216-097-00	s RESISTOR,CHIP 100K 1/10W(2012)
R935	1-216-025-00	s RESISTOR,CHIP 100 1/10W(2012)
R936	1-216-049-11	s RESISTOR,CHIP 1K 1/10W(2012)
R937	1-216-097-00	s RESISTOR,CHIP 100K 1/10W(2012)
R938	1-216-025-00	s RESISTOR,CHIP 100 1/10W(2012)
R939	1-216-049-11	s RESISTOR,CHIP 1K 1/10W(2012)
R940	1-216-049-11	s RESISTOR,CHIP 1K 1/10W(2012)
R941	1-216-049-11	s RESISTOR,CHIP 1K 1/10W(2012)
R942	1-216-049-11	s RESISTOR,CHIP 1K 1/10W(2012)
R948	1-216-113-00	s RESISTOR,CHIP 470K 1/10W(2012)
R952	1-216-097-00	s RESISTOR,CHIP 100K 1/10W(2012)
R953	1-216-097-00	s RESISTOR,CHIP 100K 1/10W(2012)
R954	1-216-097-00	s RESISTOR,CHIP 100K 1/10W(2012)
R955	1-216-097-00	s RESISTOR,CHIP 100K 1/10W(2012)
R956	1-216-097-00	s RESISTOR,CHIP 100K 1/10W(2012)
R957	1-216-097-00	s RESISTOR,CHIP 100K 1/10W(2012)
R962	1-216-105-91	s RESISTOR,CHIP 220K 1/10W(2125)
RB100	*b 1-236-908-11	s RESISTOR,NETWORK 10K (3216)
RB101	*b 1-236-908-11	s RESISTOR,NETWORK 10K (3216)
RB102	*b 1-236-908-11	s RESISTOR,NETWORK 10K (3216)
RB103	*b 1-236-904-11	s RESISTOR,NETWORK 1K (1608)
RB104	*b 1-233-665-11	s NETWORK,RES (8 GANG) 47K
RB105	*d 1-233-270-11	o RESISTOR,NETWORK (8 GANG) 10K
	*c 1-233-665-11	s NETWORK,RES (8 GANG) 47K
RB106	*b 1-233-270-11	o RESISTOR,NETWORK (8 GANG) 10K
RV911	1-237-039-11	s RESISTOR,ADJ,CERMET 100K
X101	1-579-928-11	s VIBRATOR CERAMIC (2.27MHZ)

-----  
 DR-307D BOARD for DVW-500P/510P, LOT No. 912 or higher  
 -----

\*a:Lot No. 912-114            \*d:Lot No. 141-  
 \*b:Lot No. 121-            \*e:Lot No. 121-311  
 \*c:Lot No. 121-135        \*f:Lot No. 312-

Ref. No. or Q'ty	Part No.	SP	Description
1pc	A-8322-331-B	o	MOUNTED CIRCUIT BOARD, DR-307D
2pcs	3-180-760-01	o	SUPPORT, DR
1pc	*b 3-180-873-07	o	SHEET, INSULATING (DR)
	*a 3-180-873-06	o	SHEET, INSULATING (DR)
1pc	*a 3-182-546-01	o	HEAT SINK, DR SUB
4pcs	3-531-576-11	s	RIVET,NYLON
2pcs	3-531-576-21	s	RIVET,NYLON
5pcs	3-531-576-31	s	RIVET, NYLON
1pc	3-646-084-00	o	CAP, REINFORCEMENT
1pc	7-623-510-01	s	EARTH LUG 4
3pcs	*a 7-682-902-11	s	SCREW +PWH 2.6x5
C101	1-126-941-11	s	CAPACITOR,ELECT 470MF/25V
C102	1-126-941-11	s	CAPACITOR,ELECT 470MF/25V
C103	1-126-933-11	s	CAPACITOR,ELECT 100MF/16V
C104	1-126-933-11	s	CAPACITOR,ELECT 100MF/16V
C105	1-126-941-11	s	CAPACITOR,ELECT 470MF/25V
C106	1-126-933-11	s	CAPACITOR,ELECT 100MF/16V
C107	1-126-964-11	s	CAPACITOR, ELECT 10MF/50V
C109	1-126-964-11	s	CAPACITOR, ELECT 10MF/50V
C110	1-126-964-11	s	CAPACITOR, ELECT 10MF/50V
C111	1-115-185-11	s	CAP CERAMIC 0.033MF/50V(2012)
C112	1-163-263-11	s	CAPACITOR CERAMIC 330PF/50V
C113	*b 1-163-021-91	s	CAPACITOR, CERAMIC 0.01MF/50V
	*a 1-163-022-00	s	CERAMIC, CHIP 0.012MF 10% 50V
C114	1-135-210-11	s	CAPACITOR,TANTALUM 4.7MF/10V
C115	1-135-210-11	s	CAPACITOR,TANTALUM 4.7MF/10V
C116	1-135-210-11	s	CAPACITOR,TANTALUM 4.7MF/10V
C117	1-126-934-11	s	CAPACITOR,ELECT 220MF/16V
C118	1-126-940-11	s	CAPACITOR,ELECT 330MF/25V
C119	*b 1-119-751-11	s	CAPACITOR,TANTALUM 22MF/16V
	*a 1-135-164-21	s	TANTALUM, CHIP 22MF 10% 16V
C120	1-163-017-00	s	CAPACITOR,CHIP CERAMIC 4700PF
C121	1-126-940-11	s	CAPACITOR,ELECT 330MF/25V
C122	1-164-161-11	s	CAPACITOR, CERAMIC 2200PF/100V
C123	1-163-021-91	s	CAPACITOR, CERAMIC 0.01MF/50V
C124	1-163-021-91	s	CAPACITOR, CERAMIC 0.01MF/50V
C125	1-163-037-11	s	CAPACITOR,CHIP CERAMIC 0.022MF
C126	1-164-004-11	s	CAPACITOR,CERAMIC 0.1MF/25V
C127	1-164-004-11	s	CAPACITOR,CERAMIC 0.1MF/25V
C128	1-163-133-00	s	CAPACITOR,CHIP CERAMIC 470PF
C129	1-164-004-11	s	CAPACITOR,CERAMIC 0.1MF/25V
C130	1-163-037-11	s	CAPACITOR,CHIP CERAMIC 0.022MF
C131	1-163-037-11	s	CAPACITOR,CHIP CERAMIC 0.022MF
C132	1-163-009-11	s	CAPACITOR,CERAMIC 1000PF/50V
C133	1-163-037-11	s	CAPACITOR,CHIP CERAMIC 0.022MF
C134	1-163-037-11	s	CAPACITOR,CHIP CERAMIC 0.022MF
C135	1-164-161-11	s	CAPACITOR, CERAMIC 2200PF/100V
C136	1-164-161-11	s	CAPACITOR, CERAMIC 2200PF/100V
C137	1-104-760-11	s	CAPACITOR CERAMIC 0.047MF/50V
C138	1-130-497-00	s	CAPACITOR FILM 0.15MF/50V PETP
C139	1-130-497-00	s	CAPACITOR FILM 0.15MF/50V PETP
C140	1-163-275-11	s	CAPACITOR CERAMIC 1000PF/50V
C141	1-115-781-11	s	CAPACITOR,ELECT 220MF/25V(105C)
C142	1-115-781-11	s	CAPACITOR,ELECT 220MF/25V(105C)

(DR-307D BOARD for DVW-500P/510P, LOT No. 912 or higher)

Ref. No. or Q'ty	Part No.	SP	Description
C143	1-163-275-11	s	CAPACITOR CERAMIC 1000PF/50V
C144	1-126-964-11	s	CAPACITOR, ELECT 10MF/50V
C145	1-126-964-11	s	CAPACITOR, ELECT 10MF/50V
C146	1-163-239-11	s	CAPACITOR,CHIP CERAMIC33PF/50V
C147	1-163-239-11	s	CAPACITOR,CHIP CERAMIC33PF/50V
C148	1-163-037-11	s	CAPACITOR,CHIP CERAMIC 0.022MF
C149	1-163-251-11	s	CAPACITOR CERAMIC 100PF/50V
C150	1-163-037-11	s	CAPACITOR,CHIP CERAMIC 0.022MF
C151	1-115-827-11	s	CAPACITOR,ELECT 56MF/50V(105C)
C152	1-115-827-11	s	CAPACITOR,ELECT 56MF/50V(105C)
C153	1-115-827-11	s	CAPACITOR,ELECT 56MF/50V(105C)
C154	1-163-021-91	s	CAPACITOR, CERAMIC 0.01MF/50V
C155	1-163-037-11	s	CAPACITOR,CHIP CERAMIC 0.022MF
C156	1-163-021-91	s	CAPACITOR, CERAMIC 0.01MF/50V
C157	1-163-037-11	s	CAPACITOR,CHIP CERAMIC 0.022MF
C158	1-163-037-11	s	CAPACITOR,CHIP CERAMIC 0.022MF
C159	1-163-037-11	s	CAPACITOR,CHIP CERAMIC 0.022MF
C160	*b 1-164-161-11	s	CAPACITOR, CERAMIC 2200PF/100V
C200	1-137-378-11	s	CAPACITOR 0.22MF/50V (PETP)
C201	1-126-964-11	s	CAPACITOR, ELECT 10MF/50V
C202	1-163-037-11	s	CAPACITOR,CHIP CERAMIC 0.022MF
C203	1-115-781-11	s	CAPACITOR,ELECT 220MF/25V(105C)
C204	1-126-160-11	s	CAPACITOR, ELECT 1MF/50V(105)
C205	1-163-243-11	s	CAPACITOR CHIP CERAMIC 47PF/50
C206	1-126-948-11	s	CAPACITOR,ELECT 100MF/35V
C207	1-163-243-11	s	CAPACITOR CHIP CERAMIC 47PF/50
C208	1-126-940-11	s	CAPACITOR,ELECT 330MF/25V
C209	1-137-378-11	s	CAPACITOR 0.22MF/50V (PETP)
C210	*b 1-111-107-11	s	CAPACITOR ELECT 10MF/50V 105C
	*a 1-126-613-11	s	CAPACITOR ELECT 10MF 20% 50V
C211	1-126-964-11	s	CAPACITOR, ELECT 10MF/50V
C212	1-126-964-11	s	CAPACITOR, ELECT 10MF/50V
C213	1-126-964-11	s	CAPACITOR, ELECT 10MF/50V
C214	1-163-021-91	s	CAPACITOR, CERAMIC 0.01MF/50V
C215	1-126-948-11	s	CAPACITOR,ELECT 100MF/35V
C216	1-137-378-11	s	CAPACITOR 0.22MF/50V (PETP)
C217	1-163-251-11	s	CAPACITOR CERAMIC 100PF/50V
C218	1-163-251-11	s	CAPACITOR CERAMIC 100PF/50V
C219	*b 1-111-107-11	s	CAPACITOR ELECT 10MF/50V 105C
	*a 1-126-613-11	s	CAPACITOR ELECT 10MF 20% 50V
C220	1-137-378-11	s	CAPACITOR 0.22MF/50V (PETP)
C221	1-137-378-11	s	CAPACITOR 0.22MF/50V (PETP)
C222	1-163-251-11	s	CAPACITOR CERAMIC 100PF/50V
C223	1-163-251-11	s	CAPACITOR CERAMIC 100PF/50V
C224	*b 1-111-107-11	s	CAPACITOR ELECT 10MF/50V 105C
	*a 1-126-613-11	s	CAPACITOR ELECT 10MF 20% 50V
C225	1-137-378-11	s	CAPACITOR 0.22MF/50V (PETP)
C226	1-137-378-11	s	CAPACITOR 0.22MF/50V (PETP)
C227	1-137-378-11	s	CAPACITOR 0.22MF/50V (PETP)
C228	1-163-037-11	s	CAPACITOR,CHIP CERAMIC 0.022MF
C229	1-163-037-11	s	CAPACITOR,CHIP CERAMIC 0.022MF
C230	1-163-037-11	s	CAPACITOR,CHIP CERAMIC 0.022MF
C231	1-163-037-11	s	CAPACITOR,CHIP CERAMIC 0.022MF
C232	1-163-037-11	s	CAPACITOR,CHIP CERAMIC 0.022MF
C233	1-163-037-11	s	CAPACITOR,CHIP CERAMIC 0.022MF
C234	1-163-037-11	s	CAPACITOR,CHIP CERAMIC 0.022MF
C235	1-163-037-11	s	CAPACITOR,CHIP CERAMIC 0.022MF
C237	1-163-037-11	s	CAPACITOR,CHIP CERAMIC 0.022MF
C239	1-137-378-11	s	CAPACITOR 0.22MF/50V (PETP)

(DR-307D BOARD for DVW-500P/510P, LOT No. 912 or higher)

(DR-307D BOARD for DVW-500P/510P, LOT No. 912 or higher)

Ref. No. or Q'ty	Part No.	SP Description
C240	1-137-378-11	s CAPACITOR 0.22MF/50V (PETP)
C241	*b 1-111-107-11	s CAPACITOR ELECT 10MF/50V 105C
	*a 1-126-613-11	s CAPACITOR ELECT 10MF 20% 50V
C242	*b 1-111-107-11	s CAPACITOR ELECT 10MF/50V 105C
	*a 1-126-613-11	s CAPACITOR ELECT 10MF 20% 50V
C243	1-115-781-11	s CAPACITOR,ELECT 220MF/25V(105C
C244	*b 1-111-107-11	s CAPACITOR ELECT 10MF/50V 105C
	*a 1-126-613-11	s CAPACITOR ELECT 10MF 20% 50V
C245	1-126-947-11	s CAPACITOR, ELECT 47MF/35V
C246	*b 1-111-107-11	s CAPACITOR ELECT 10MF/50V 105C
	*a 1-126-613-11	s CAPACITOR ELECT 10MF 20% 50V
C247	*b 1-111-107-11	s CAPACITOR ELECT 10MF/50V 105C
	*a 1-126-613-11	s CAPACITOR ELECT 10MF 20% 50V
C248	*b 1-111-107-11	s CAPACITOR ELECT 10MF/50V 105C
	*a 1-126-613-11	s CAPACITOR ELECT 10MF 20% 50V
C249	*b 1-111-107-11	s CAPACITOR ELECT 10MF/50V 105C
	*a 1-126-613-11	s CAPACITOR ELECT 10MF 20% 50V
C272	1-126-947-11	s CAPACITOR, ELECT 47MF/35V
C300	1-126-933-11	s CAPACITOR,ELECT 100MF/16V
C301	1-163-021-91	s CAPACITOR, CERAMIC 0.01MF/50V
C302	1-126-965-11	s CAPACITOR,ELECT 22MF/50V
C303	1-104-760-11	s CAPACITOR CERAMIC 0.047MF/50V
C304	1-163-037-11	s CAPACITOR,CHIP CERAMIC 0.022MF
C305	1-164-004-11	s CAPACITOR,CERAMIC 0.1MF/25V
C306	1-163-037-11	s CAPACITOR,CHIP CERAMIC 0.022MF
C307	1-164-004-11	s CAPACITOR,CERAMIC 0.1MF/25V
C308	1-104-760-11	s CAPACITOR CERAMIC 0.047MF/50V
C309	1-164-004-11	s CAPACITOR,CERAMIC 0.1MF/25V
C310	1-130-477-00	s CAPACITOR,FILM 0.0033MF/50V
C311	1-163-275-11	s CAPACITOR CERAMIC 1000PF/50V
C312	1-163-251-11	s CAPACITOR CERAMIC 100PF/50V
C313	1-126-964-11	s CAPACITOR, ELECT 10MF/50V
C314	1-163-037-11	s CAPACITOR,CHIP CERAMIC 0.022MF
C315	1-104-760-11	s CAPACITOR CERAMIC 0.047MF/50V
C316	1-104-760-11	s CAPACITOR CERAMIC 0.047MF/50V
C317	1-164-004-11	s CAPACITOR,CERAMIC 0.1MF/25V
C318	1-130-477-00	s CAPACITOR,FILM 0.0033MF/50V
C319	1-163-275-11	s CAPACITOR CERAMIC 1000PF/50V
C320	1-126-964-11	s CAPACITOR, ELECT 10MF/50V
C321	1-163-251-11	s CAPACITOR CERAMIC 100PF/50V
C322	1-163-037-11	s CAPACITOR,CHIP CERAMIC 0.022MF
C323	1-163-037-11	s CAPACITOR,CHIP CERAMIC 0.022MF
C324	1-163-037-11	s CAPACITOR,CHIP CERAMIC 0.022MF
C325	1-104-760-11	s CAPACITOR CERAMIC 0.047MF/50V
C326	1-104-760-11	s CAPACITOR CERAMIC 0.047MF/50V
C327	1-163-275-11	s CAPACITOR CERAMIC 1000PF/50V
C328	1-163-275-11	s CAPACITOR CERAMIC 1000PF/50V
C329	1-163-275-11	s CAPACITOR CERAMIC 1000PF/50V
C330	1-163-037-11	s CAPACITOR,CHIP CERAMIC 0.022MF
C331	1-164-004-11	s CAPACITOR,CERAMIC 0.1MF/25V
C332	1-104-760-11	s CAPACITOR CERAMIC 0.047MF/50V
C333	1-163-275-11	s CAPACITOR CERAMIC 1000PF/50V
C334	1-163-275-11	s CAPACITOR CERAMIC 1000PF/50V
C335	1-163-037-11	s CAPACITOR,CHIP CERAMIC 0.022MF
C336	1-164-004-11	s CAPACITOR,CERAMIC 0.1MF/25V
C337	1-163-037-11	s CAPACITOR,CHIP CERAMIC 0.022MF
C338	1-164-004-11	s CAPACITOR,CERAMIC 0.1MF/25V
C339	1-163-037-11	s CAPACITOR,CHIP CERAMIC 0.022MF
C340	1-163-037-11	s CAPACITOR,CHIP CERAMIC 0.022MF
C341	1-163-037-11	s CAPACITOR,CHIP CERAMIC 0.022MF

Ref. No. or Q'ty	Part No.	SP Description
C343	1-126-965-11	s CAPACITOR,ELECT 22MF/50V
C344	1-163-021-91	s CAPACITOR, CERAMIC 0.01MF/50V
C345	1-107-682-11	s CAPACITOR,CHIP 1MF/16V (3216)
C346	1-163-021-91	s CAPACITOR, CERAMIC 0.01MF/50V
C347	1-107-682-11	s CAPACITOR,CHIP 1MF/16V (3216)
C348	1-163-021-91	s CAPACITOR, CERAMIC 0.01MF/50V
C349	1-107-682-11	s CAPACITOR,CHIP 1MF/16V (3216)
C350	1-163-021-91	s CAPACITOR, CERAMIC 0.01MF/50V
C351	1-107-682-11	s CAPACITOR,CHIP 1MF/16V (3216)
C401	1-136-684-51	s CAPACITOR FILM 0.0022MF/100V
C402	1-136-684-51	s CAPACITOR FILM 0.0022MF/100V
C403	1-163-037-11	s CAPACITOR,CHIP CERAMIC 0.022MF
C404	1-126-964-11	s CAPACITOR, ELECT 10MF/50V
C405	1-164-004-11	s CAPACITOR,CERAMIC 0.1MF/25V
C406	1-164-004-11	s CAPACITOR,CERAMIC 0.1MF/25V
C407	1-104-760-11	s CAPACITOR CERAMIC 0.047MF/50V
C408	1-104-760-11	s CAPACITOR CERAMIC 0.047MF/50V
C409	1-163-263-11	s CAPACITOR CERAMIC 330PF/50V
C410	1-163-263-11	s CAPACITOR CERAMIC 330PF/50V
C411	*b 1-107-854-11	s CAPACITOR TANTALUM 68MF/6.3V
	*a 1-135-167-21	s CAPACITOR TANTALUM,CHIP 68MF 10% 16
C412	*b 1-107-854-11	s CAPACITOR TANTALUM 68MF/6.3V
	*a 1-135-167-21	s CAPACITOR TANTALUM,CHIP 68MF 10% 16
C413	1-126-947-11	s CAPACITOR, ELECT 47MF/35V
C414	1-126-947-11	s CAPACITOR, ELECT 47MF/35V
C415	1-126-966-11	s CAPACITOR,ELECT 33MF/50V
C416	1-115-185-11	s CAP CERAMIC 0.033MF/50V(2012)
C417	1-126-947-11	s CAPACITOR, ELECT 47MF/35V
C419	1-126-964-11	s CAPACITOR, ELECT 10MF/50V
C420	1-126-964-11	s CAPACITOR, ELECT 10MF/50V
C421	1-126-964-11	s CAPACITOR, ELECT 10MF/50V
C422	1-126-964-11	s CAPACITOR, ELECT 10MF/50V
C423	1-126-964-11	s CAPACITOR, ELECT 10MF/50V
C424	1-163-037-11	s CAPACITOR,CHIP CERAMIC 0.022MF
C425	1-163-037-11	s CAPACITOR,CHIP CERAMIC 0.022MF
C426	1-163-037-11	s CAPACITOR,CHIP CERAMIC 0.022MF
C427	1-126-964-11	s CAPACITOR, ELECT 10MF/50V
C428	1-126-964-11	s CAPACITOR, ELECT 10MF/50V
C429	1-135-145-11	s CAPACITOR TANTALUM 0.47MF/35V
C430	1-135-145-11	s CAPACITOR TANTALUM 0.47MF/35V
C431	1-163-021-91	s CAPACITOR, CERAMIC 0.01MF/50V
C432	1-163-037-11	s CAPACITOR,CHIP CERAMIC 0.022MF
C500	1-164-004-11	s CAPACITOR,CERAMIC 0.1MF/25V
C502	1-163-037-11	s CAPACITOR,CHIP CERAMIC 0.022MF
C503	1-163-037-11	s CAPACITOR,CHIP CERAMIC 0.022MF
C504	1-104-760-11	s CAPACITOR CERAMIC 0.047MF/50V
C505	1-163-037-11	s CAPACITOR,CHIP CERAMIC 0.022MF
C506	1-164-004-11	s CAPACITOR,CERAMIC 0.1MF/25V
C507	1-164-161-11	s CAPACITOR, CERAMIC 2200PF/100V
C508	1-163-259-91	s CAPACITOR,CHIP CERAMIC 220PF
C509	1-163-259-91	s CAPACITOR,CHIP CERAMIC 220PF
C510	1-164-004-11	s CAPACITOR,CERAMIC 0.1MF/25V
C511	1-164-004-11	s CAPACITOR,CERAMIC 0.1MF/25V
C512	1-164-004-11	s CAPACITOR,CERAMIC 0.1MF/25V
C514	1-163-037-11	s CAPACITOR,CHIP CERAMIC 0.022MF
C515	1-163-037-11	s CAPACITOR,CHIP CERAMIC 0.022MF
C516	1-104-760-11	s CAPACITOR CERAMIC 0.047MF/50V
C517	1-163-037-11	s CAPACITOR,CHIP CERAMIC 0.022MF
C518	1-164-004-11	s CAPACITOR,CERAMIC 0.1MF/25V



(DR-307D BOARD for DVW-500P/510P, LOT No. 912 or higher)

(DR-307D BOARD for DVW-500P/510P, LOT No. 912 or higher)

Ref. No. or Q'ty	Part No.	SP	Description
C519	1-164-161-11	s	CAPACITOR, CERAMIC 2200PF/100V
C520	1-163-259-91	s	CAPACITOR,CHIP CERAMIC 220PF
C521	1-163-259-91	s	CAPACITOR,CHIP CERAMIC 220PF
C522	1-164-004-11	s	CAPACITOR,CERAMIC 0.1MF/25V
C523	1-164-004-11	s	CAPACITOR,CERAMIC 0.1MF/25V
C524	1-164-004-11	s	CAPACITOR,CERAMIC 0.1MF/25V
C525	1-104-760-11	s	CAPACITOR CERAMIC 0.047MF/50V
C526	1-104-760-11	s	CAPACITOR CERAMIC 0.047MF/50V
C527	1-163-037-11	s	CAPACITOR,CHIP CERAMIC 0.022MF
C528	1-104-760-11	s	CAPACITOR CERAMIC 0.047MF/50V
C529	1-163-037-11	s	CAPACITOR,CHIP CERAMIC 0.022MF
C530	1-164-004-11	s	CAPACITOR,CERAMIC 0.1MF/25V
C531	1-164-161-11	s	CAPACITOR, CERAMIC 2200PF/100V
C532	1-163-259-91	s	CAPACITOR,CHIP CERAMIC 220PF
C533	1-163-259-91	s	CAPACITOR,CHIP CERAMIC 220PF
C534	1-164-004-11	s	CAPACITOR,CERAMIC 0.1MF/25V
C535	1-164-004-11	s	CAPACITOR,CERAMIC 0.1MF/25V
C541	1-126-157-11	s	CAPACITOR,ELECT 10MF/16V (105)
C542	1-126-157-11	s	CAPACITOR,ELECT 10MF/16V (105)
C543	1-163-037-11	s	CAPACITOR,CHIP CERAMIC 0.022MF
C800	1-164-161-11	s	CAPACITOR, CERAMIC 2200PF/100V
C801	1-164-161-11	s	CAPACITOR, CERAMIC 2200PF/100V
C802	1-164-161-11	s	CAPACITOR, CERAMIC 2200PF/100V
C803	1-164-161-11	s	CAPACITOR, CERAMIC 2200PF/100V
C804	1-164-161-11	s	CAPACITOR, CERAMIC 2200PF/100V
C805	1-164-161-11	s	CAPACITOR, CERAMIC 2200PF/100V
C806	1-164-161-11	s	CAPACITOR, CERAMIC 2200PF/100V
C807	1-164-161-11	s	CAPACITOR, CERAMIC 2200PF/100V
CN302	1-750-879-11	s	HEADER, PIN (PC BOARD) 60P
CN303	1-506-480-11	s	PIN,CONNECTOR 15P
CN304	1-565-189-11	s	CONNECTOR,SOCKET FFC/FPC (36P)
CN305	1-565-189-11	s	CONNECTOR,SOCKET FFC/FPC (36P)
CN306	1-766-175-11	o	PIN, CONNECTOR (PC BOARD) 5P
CN321	1-562-708-11	o	SOCKET,CONNECTOR FFC/FPC (13P)
CN322	1-562-708-11	o	SOCKET,CONNECTOR FFC/FPC (13P)
CN901	*a 1-564-002-11	s	PIN, CONNECTOR 3P
D102	8-719-404-35	s	DIODE MA141WK
D103	8-719-903-06	s	DIODE ERC84-009
D104	8-719-974-51	s	DIODE SB20-03P
D105	8-719-404-35	s	DIODE MA141WK
D106	8-719-404-35	s	DIODE MA141WK
D200	8-719-801-48	s	DIODE 1SS193
D201	8-719-157-33	s	DIODE RD6.2M-B
D202	8-719-974-51	s	DIODE SB20-03P
D203	8-719-801-48	s	DIODE 1SS193
D204	8-719-974-51	s	DIODE SB20-03P
D205	8-719-210-33	s	DIODE EC10DS2 (RECTI)
D206	8-719-210-33	s	DIODE EC10DS2 (RECTI)
D207	8-719-210-33	s	DIODE EC10DS2 (RECTI)
D208	8-719-210-33	s	DIODE EC10DS2 (RECTI)
D209	8-719-210-33	s	DIODE EC10DS2 (RECTI)
D210	8-719-210-33	s	DIODE EC10DS2 (RECTI)
D211	8-719-801-48	s	DIODE 1SS193
D212	8-719-801-48	s	DIODE 1SS193
D213	8-719-801-48	s	DIODE 1SS193
D214	8-719-801-48	s	DIODE 1SS193
D215	8-719-801-48	s	DIODE 1SS193
D216	8-719-801-48	s	DIODE 1SS193

Ref. No. or Q'ty	Part No.	SP	Description
D217	8-719-801-48	s	DIODE 1SS193
D218	8-719-801-48	s	DIODE 1SS193
D300	8-719-404-35	s	DIODE MA141WK
D301	8-719-404-35	s	DIODE MA141WK
D400	8-719-404-35	s	DIODE MA141WK
D401	8-719-404-35	s	DIODE MA141WK
D402	8-719-404-35	s	DIODE MA141WK
D500	8-719-104-34	s	DIODE 1S2836
D501	8-719-104-34	s	DIODE 1S2836
D502	8-719-104-34	s	DIODE 1S2836
D800	8-719-821-05	s	DIODE 1SS154-TE85L
D801	8-719-821-05	s	DIODE 1SS154-TE85L
IC13	8-759-175-68	s	IC HD29029FP
IC15	8-759-175-68	s	IC HD29029FP
IC16	*b 8-759-075-97	s	IC LM358PW
	*a 8-759-983-69	s	IC LM358PS
IC17	8-759-700-78	s	IC NJM082M
IC18	8-759-175-68	s	IC HD29029FP
IC19	8-759-205-56	s	IC TA7267P
IC20	8-759-205-56	s	IC TA7267P
IC21	8-759-205-56	s	IC TA7267P
IC22	8-759-175-68	s	IC HD29029FP
IC23	8-759-700-78	s	IC NJM082M
IC24	8-759-175-68	s	IC HD29029FP
IC26	8-759-700-78	s	IC NJM082M
IC27	8-759-908-92	s	IC TL084CNS
IC28	8-759-925-05	s	IC LM2903PS
IC29	8-759-925-05	s	IC LM2903PS
IC30	8-759-635-27	s	IC M62352GP
IC32	8-759-700-78	s	IC NJM082M
IC33	8-759-700-78	s	IC NJM082M
IC34	8-759-925-05	s	IC LM2903PS
IC35	8-759-106-02	s	IC UPC4570G2
IC36	8-759-925-05	s	IC LM2903PS
IC37	8-759-106-02	s	IC UPC4570G2
IC38	8-759-925-05	s	IC LM2903PS
IC40	8-759-700-78	s	IC NJM082M
IC44	*b 8-759-441-31	s	IC MC14053BDTR2
	*a 8-759-009-07	s	IC MC14053BF
IC45	8-759-805-32	s	IC LA7205M
IC46	8-759-805-32	s	IC LA7205M
IC47	8-743-914-00	s	IC BX-3914 (HYBRID)
IC48	8-759-106-02	s	IC UPC4570G2
IC49	*b 8-759-673-37	s	IC MM74HC00MTCX
	*a 8-759-673-36	s	IC MM74HC00SJX
IC50	*b 8-759-441-31	s	IC MC14053BDTR2
	*a 8-759-009-07	s	IC MC14053BF
IC52	8-759-231-53	s	IC TA7805S
IC53	8-759-245-79	s	IC TA79005S
IC54	*b 8-759-835-32	s	IC UPC337HF
	*a 8-759-903-37	s	IC LM337T
IC100	*b 8-759-441-31	s	IC MC14053BDTR2
	*a 8-759-009-07	s	IC MC14053BF
IC101	*b 8-759-468-72	s	IC AK6420AM (E2)
	*a 8-759-464-95	s	IC AK6420AF-E2
IC103	8-759-929-26	s	IC TL431CPS
IC104	8-759-925-05	s	IC LM2903PS
IC105	*b 8-759-075-97	s	IC LM358PW
	*a 8-759-983-69	s	IC LM358PS
IC106	8-759-662-70	s	IC UPD75106GF-J33-3BE

(DR-307D BOARD for DVW-500P/510P, LOT No. 912 or higher)

(DR-307D BOARD for DVW-500P/510P, LOT No. 912 or higher)

Ref. No. or Q'ty	Part No.	SP	Description
IC107	8-759-600-34	s	IC M54532P
IC108	8-759-645-23	s	IC M54523P
IC109	*b 8-759-394-05	s	IC TC7SH08F-TE85R
	*a 8-759-673-45	s	IC MM74HC08SJX
IC110	8-759-009-04	s	IC MC14050BF
IC111	8-759-906-22	s	IC MB3759PF
IC112	*b 8-759-075-97	s	IC LM358PW
	*a 8-759-983-69	s	IC LM358PS
IC113	8-759-700-07	s	IC NJM2903M
IC114	8-759-112-58	s	IC UPC1246G
IC115	8-759-925-05	s	IC LM2903PS
IC116	*b 8-759-673-49	s	IC MM74HC14MTCX
	*a 8-759-673-48	s	IC MM74HC14SJX
IC117	*b 8-759-441-31	s	IC MC14053BDTR2
	*a 8-759-009-07	s	IC MC14053BF
IC500	8-759-906-22	s	IC MB3759PF
IC501	8-759-009-03	s	IC MC14049UBF
IC502	8-759-700-78	s	IC NJM082M
IC503	8-759-906-22	s	IC MB3759PF
IC504	8-759-009-03	s	IC MC14049UBF
IC505	8-759-700-78	s	IC NJM082M
IC506	8-759-906-22	s	IC MB3759PF
IC507	8-759-009-03	s	IC MC14049UBF
IC508	8-759-700-78	s	IC NJM082M
L101	1-412-533-21	s	MICRO INDUCTOR 47UH
L102	1-412-533-21	s	MICRO INDUCTOR 47UH
L103	1-412-533-21	s	MICRO INDUCTOR 47UH
L104	1-412-533-21	s	MICRO INDUCTOR 47UH
L105	1-412-533-21	s	MICRO INDUCTOR 47UH
L106	1-412-533-21	s	MICRO INDUCTOR 47UH
L107	1-408-519-00	s	COIL,CHOKE
L108	1-406-749-11	s	COIL, CHOKE 100UH
L200	1-406-977-21	s	COIL, CHOKE 100UH
L201	1-406-977-21	s	COIL, CHOKE 100UH
L202	1-406-977-21	s	COIL, CHOKE 100UH
L203	1-406-977-21	s	COIL, CHOKE 100UH
L204	1-406-977-21	s	COIL, CHOKE 100UH
L205	1-406-977-21	s	COIL, CHOKE 100UH
PS101	△ 1-533-275-21	s	FUSE, CHIP
Q101	8-729-117-32	s	TRANSISTOR 2SC4177
Q102	8-729-140-63	s	TRANSISTOR 2SA1611-M5M6
Q103	8-729-029-14	s	TRANSISTOR DTC144EUA-T106
Q104	*b 8-729-055-72	s	TRANSISTOR 2SJ418-TL
	*a 8-729-035-62	s	TRANSISTOR 2SJ418
Q105	8-729-117-32	s	TRANSISTOR 2SC4177
Q106	8-729-029-14	s	TRANSISTOR DTC144EUA-T106
Q107	8-729-117-32	s	TRANSISTOR 2SC4177
Q108	8-729-117-32	s	TRANSISTOR 2SC4177
Q109	8-729-140-63	s	TRANSISTOR 2SA1611-M5M6
Q110	*b 8-729-142-68	s	TRANSISTOR 2SJ143
	*a 8-729-035-62	s	TRANSISTOR 2SJ418
Q111	8-729-140-63	s	TRANSISTOR 2SA1611-M5M6
Q112	8-729-117-32	s	TRANSISTOR 2SC4177
Q113	*b 8-729-055-72	s	TRANSISTOR 2SJ418-TL
	*a 8-729-035-62	s	TRANSISTOR 2SJ418
Q114	*b 8-729-016-18	s	TRANSISTOR 2SK2046S-TL
	*a 8-729-036-04	s	TRANSISTOR 2SK2046
Q115	8-729-140-63	s	TRANSISTOR 2SA1611-M5M6
Q116	8-729-117-32	s	TRANSISTOR 2SC4177

Ref. No. or Q'ty	Part No.	SP	Description
Q117	*b 8-729-055-72	s	TRANSISTOR 2SJ418-TL
	*a 8-729-035-62	s	TRANSISTOR 2SJ418
Q118	*b 8-729-016-18	s	TRANSISTOR 2SK2046S-TL
	*a 8-729-036-04	s	TRANSISTOR 2SK2046
Q119	8-729-140-63	s	TRANSISTOR 2SA1611-M5M6
Q120	8-729-117-32	s	TRANSISTOR 2SC4177
Q121	*b 8-729-055-72	s	TRANSISTOR 2SJ418-TL
	*a 8-729-035-62	s	TRANSISTOR 2SJ418
Q122	*b 8-729-016-18	s	TRANSISTOR 2SK2046S-TL
	*a 8-729-036-04	s	TRANSISTOR 2SK2046
Q202	8-729-159-65	s	TRANSISTOR 2SD596-DV5
Q203	*b 8-729-055-72	s	TRANSISTOR 2SJ418-TL
	*a 8-729-035-62	s	TRANSISTOR 2SJ418
Q204	*b 8-729-055-72	s	TRANSISTOR 2SJ418-TL
	*a 8-729-035-62	s	TRANSISTOR 2SJ418
Q206	8-729-101-07	s	TRANSISTOR 2SB798
Q210	*b 8-729-055-72	s	TRANSISTOR 2SJ418-TL
	*a 8-729-035-62	s	TRANSISTOR 2SJ418
Q212	8-729-807-51	s	TRANSISTOR 2SD1623-S
Q213	*b 8-729-055-72	s	TRANSISTOR 2SJ418-TL
	*a 8-729-035-62	s	TRANSISTOR 2SJ418
Q214	*b 8-729-055-72	s	TRANSISTOR 2SJ418-TL
	*a 8-729-035-62	s	TRANSISTOR 2SJ418
Q218	*b 8-729-016-18	s	TRANSISTOR 2SK2046S-TL
	*a 8-729-036-04	s	TRANSISTOR 2SK2046
Q219	*b 8-729-055-72	s	TRANSISTOR 2SJ418-TL
	*a 8-729-035-62	s	TRANSISTOR 2SJ418
Q222	*b 8-729-016-18	s	TRANSISTOR 2SK2046S-TL
	*a 8-729-036-04	s	TRANSISTOR 2SK2046
Q224	*b 8-729-055-72	s	TRANSISTOR 2SJ418-TL
	*a 8-729-035-62	s	TRANSISTOR 2SJ418
Q228	*b 8-729-016-18	s	TRANSISTOR 2SK2046S-TL
	*a 8-729-036-04	s	TRANSISTOR 2SK2046
Q229	*b 8-729-055-72	s	TRANSISTOR 2SJ418-TL
	*a 8-729-035-62	s	TRANSISTOR 2SJ418
Q232	*b 8-729-016-18	s	TRANSISTOR 2SK2046S-TL
	*a 8-729-036-04	s	TRANSISTOR 2SK2046
Q300	8-729-209-07	s	TRANSISTOR 2SC4213-B
Q400	8-729-029-14	s	TRANSISTOR DTC144EUA-T106
Q401	8-729-029-14	s	TRANSISTOR DTC144EUA-T106
Q402	8-729-140-63	s	TRANSISTOR 2SA1611-M5M6
Q403	8-729-028-73	s	TRANSISTOR DTA114EUA-T106
Q404	8-729-907-00	s	TRANSISTOR DTC114EU
Q405	8-729-029-14	s	TRANSISTOR DTC144EUA-T106
Q406	8-729-028-74	s	TRANSISTOR DTA114TUA-T106
Q407	8-729-028-97	s	TRANSISTOR DTC114TUA-T106
Q500	8-729-029-14	s	TRANSISTOR DTC144EUA-T106
Q501	8-729-029-14	s	TRANSISTOR DTC144EUA-T106
Q504	8-729-101-07	s	TRANSISTOR 2SB798
Q505	8-729-029-06	s	TRANSISTOR DTC124EUA-T106
Q506	8-729-029-06	s	TRANSISTOR DTC124EUA-T106
R100	1-216-295-91	s	CONDUCTOR, CHIP (2012)
R101	△ 1-212-873-11	s	RESISTOR,FUSE 47 1/4W
R102	1-216-097-00	s	RESISTOR CHIP 100K 1/10W(2012)
R103	1-216-097-00	s	RESISTOR CHIP 100K 1/10W(2012)
R104	1-216-073-00	s	RESISTOR,CHIP 10K 1/10W(2012)
R105	1-216-073-00	s	RESISTOR,CHIP 10K 1/10W(2012)
R106	1-216-049-11	s	RESISTOR, CHIP 1K 1/10W(2012)
R107	1-216-073-00	s	RESISTOR,CHIP 10K 1/10W(2012)
R108	1-216-073-00	s	RESISTOR,CHIP 10K 1/10W(2012)
R111	1-216-049-11	s	RESISTOR, CHIP 1K 1/10W(2012)

(DR-307D BOARD for DVW-500P/510P, LOT No. 912 or higher)

(DR-307D BOARD for DVW-500P/510P, LOT No. 912 or higher)

Ref. No. or Q'ty	Part No.	SP	Description
R112	1-216-049-11	s	RESISTOR, CHIP 1K 1/10W(2012)
R113	1-216-049-11	s	RESISTOR, CHIP 1K 1/10W(2012)
R114	1-216-073-00	s	RESISTOR,CHIP 10K 1/10W(2012)
R115	1-216-057-00	s	RESISTOR CHIP 2.2K 1/10W(2012)
R116	1-216-089-91	s	RESISTOR, CHIP 47K 1/10W(2012)
R117	1-216-659-11	s	RESISTOR,CHIP 2.2K 1/10W(2012)
R118	1-216-659-11	s	RESISTOR,CHIP 2.2K 1/10W(2012)
R119	1-216-089-91	s	RESISTOR, CHIP 47K 1/10W(2012)
R121	1-216-089-91	s	RESISTOR, CHIP 47K 1/10W(2012)
R122	1-216-089-91	s	RESISTOR, CHIP 47K 1/10W(2012)
R123	1-216-113-00	s	RESISTOR CHIP 470K 1/10W(2012)
R124	1-216-113-00	s	RESISTOR CHIP 470K 1/10W(2012)
R125	1-216-105-91	s	RESISTOR,CHIP 220K 1/10W(2125)
R126	1-216-115-00	s	RESISTOR,CHIP 560K 1/10W(2012)
R127	1-216-105-91	s	RESISTOR,CHIP 220K 1/10W(2125)
R128	1-216-093-00	s	RESISTOR, CHIP 68K 1/10W(2012)
R129	1-216-099-00	s	RESISTOR,CHIP 120K 1/10W(2012)
R130	1-216-091-00	s	RESISTOR CHIP 56K 1/10W(2012)
R131	1-216-065-91	s	RESISTOR,CHIP 4.7K 1/10W(2012)
R132	1-216-089-91	s	RESISTOR, CHIP 47K 1/10W(2012)
R133	1-216-089-91	s	RESISTOR, CHIP 47K 1/10W(2012)
R134	1-216-073-00	s	RESISTOR,CHIP 10K 1/10W(2012)
R135	*a 1-216-073-00	s	RESISTOR,CHIP 10K 1/10W(2012)
R136	*a 1-216-073-00	s	RESISTOR,CHIP 10K 1/10W(2012)
R137	*a 1-216-073-00	s	RESISTOR,CHIP 10K 1/10W(2012)
R138	*a 1-216-073-00	s	RESISTOR,CHIP 10K 1/10W(2012)
R139	*a 1-216-073-00	s	RESISTOR,CHIP 10K 1/10W(2012)
R140	*a 1-216-073-00	s	RESISTOR,CHIP 10K 1/10W(2012)
R141	*a 1-216-073-00	s	RESISTOR,CHIP 10K 1/10W(2012)
R142	*a 1-216-073-00	s	RESISTOR,CHIP 10K 1/10W(2012)
R143	*a 1-216-073-00	s	RESISTOR,CHIP 10K 1/10W(2012)
R144	*a 1-216-073-00	s	RESISTOR,CHIP 10K 1/10W(2012)
R145	1-216-073-00	s	RESISTOR,CHIP 10K 1/10W(2012)
R146	*a 1-216-049-11	s	RESISTOR, CHIP 1K 1/10W(2012)
R147	*a 1-216-049-11	s	RESISTOR, CHIP 1K 1/10W(2012)
R148	*a 1-216-049-11	s	RESISTOR, CHIP 1K 1/10W(2012)
R149	1-216-073-00	s	RESISTOR,CHIP 10K 1/10W(2012)
R150	1-216-049-11	s	RESISTOR, CHIP 1K 1/10W(2012)
R151	1-216-049-11	s	RESISTOR, CHIP 1K 1/10W(2012)
R152	1-216-073-00	s	RESISTOR,CHIP 10K 1/10W(2012)
R153	1-216-049-11	s	RESISTOR, CHIP 1K 1/10W(2012)
R154	*a 1-216-089-91	s	RESISTOR, CHIP 47K 1/10W(2012)
R155	*a 1-216-089-91	s	RESISTOR, CHIP 47K 1/10W(2012)
R156	1-216-057-00	s	RESISTOR CHIP 2.2K 1/10W(2012)
R157	*a 1-216-089-91	s	RESISTOR, CHIP 47K 1/10W(2012)
R158	*a 1-216-089-91	s	RESISTOR, CHIP 47K 1/10W(2012)
R159	1-216-689-11	s	RESISTOR,CHIP 39K 1/10W(2012)
R160	1-216-073-00	s	RESISTOR,CHIP 10K 1/10W(2012)
R161	*a 1-216-089-91	s	RESISTOR, CHIP 47K 1/10W(2012)
R162	*a 1-216-089-91	s	RESISTOR, CHIP 47K 1/10W(2012)
R163	*a 1-216-073-00	s	RESISTOR,CHIP 10K 1/10W(2012)
R164	*a 1-216-089-91	s	RESISTOR, CHIP 47K 1/10W(2012)
R165	*a 1-216-073-00	s	RESISTOR,CHIP 10K 1/10W(2012)
R166	1-216-047-91	s	RESISTOR, CHIP 820 1/10W(2125)
R167	*a 1-216-089-91	s	RESISTOR, CHIP 47K 1/10W(2012)
R168	*a 1-216-089-91	s	RESISTOR, CHIP 47K 1/10W(2012)
R169	*a 1-216-073-00	s	RESISTOR,CHIP 10K 1/10W(2012)
R170	*a 1-216-089-91	s	RESISTOR, CHIP 47K 1/10W(2012)
R171	*a 1-216-089-91	s	RESISTOR, CHIP 47K 1/10W(2012)

Ref. No. or Q'ty	Part No.	SP	Description
R172	*a 1-216-073-00	s	RESISTOR,CHIP 10K 1/10W(2012)
R173	1-216-689-11	s	RESISTOR,CHIP 39K 1/10W(2012)
R174	*a 1-216-089-91	s	RESISTOR, CHIP 47K 1/10W(2012)
R175	*a 1-216-073-00	s	RESISTOR,CHIP 10K 1/10W(2012)
R176	1-216-675-11	s	RESISTOR,CHIP 10K 1/10W(2012)
R177	1-216-675-11	s	RESISTOR,CHIP 10K 1/10W(2012)
R178	*a 1-216-089-91	s	RESISTOR, CHIP 47K 1/10W(2012)
R179	1-217-611-00	s	RESISTOR,METAL 0.1 2W
R180	1-216-049-11	s	RESISTOR, CHIP 1K 1/10W(2012)
R181	1-216-049-11	s	RESISTOR, CHIP 1K 1/10W(2012)
R182	*a 1-216-089-91	s	RESISTOR, CHIP 47K 1/10W(2012)
R183	1-216-073-00	s	RESISTOR,CHIP 10K 1/10W(2012)
R184	1-216-049-11	s	RESISTOR, CHIP 1K 1/10W(2012)
R185	1-216-049-11	s	RESISTOR, CHIP 1K 1/10W(2012)
R186	1-216-073-00	s	RESISTOR,CHIP 10K 1/10W(2012)
R187	*a 1-216-073-00	s	RESISTOR,CHIP 10K 1/10W(2012)
R188	*a 1-216-073-00	s	RESISTOR,CHIP 10K 1/10W(2012)
R189	1-216-049-11	s	RESISTOR, CHIP 1K 1/10W(2012)
R190	1-216-089-91	s	RESISTOR, CHIP 47K 1/10W(2012)
R200	1-216-073-00	s	RESISTOR,CHIP 10K 1/10W(2012)
R201	1-216-073-00	s	RESISTOR,CHIP 10K 1/10W(2012)
R202	1-216-073-00	s	RESISTOR,CHIP 10K 1/10W(2012)
R203	1-215-889-00	s	RESISTOR,METAL FILM 330 2W
R204	1-216-057-00	s	RESISTOR CHIP 2.2K 1/10W(2012)
R205	1-216-089-91	s	RESISTOR, CHIP 47K 1/10W(2012)
R206	1-216-073-00	s	RESISTOR,CHIP 10K 1/10W(2012)
R207	1-216-097-00	s	RESISTOR CHIP 100K 1/10W(2012)
R208	1-216-097-00	s	RESISTOR CHIP 100K 1/10W(2012)
R209	1-216-073-00	s	RESISTOR,CHIP 10K 1/10W(2012)
R210	1-216-049-11	s	RESISTOR, CHIP 1K 1/10W(2012)
R212	1-216-385-11	s	RESISTOR,METAL FILM 0.47 3W
R213	1-216-675-11	s	RESISTOR,CHIP 10K 1/10W(2012)
R214	1-216-675-11	s	RESISTOR,CHIP 10K 1/10W(2012)
R215	1-216-691-11	s	RESISTOR,CHIP 47K 1/10W(2012)
R216	1-216-675-11	s	RESISTOR,CHIP 10K 1/10W(2012)
R217	1-216-669-11	s	RESISTOR,CHIP 5.6K 1/10W(2012)
R218	1-216-691-11	s	RESISTOR,CHIP 47K 1/10W(2012)
R220	1-216-089-91	s	RESISTOR, CHIP 47K 1/10W(2012)
R221	1-216-073-00	s	RESISTOR,CHIP 10K 1/10W(2012)
R222	1-216-073-00	s	RESISTOR,CHIP 10K 1/10W(2012)
R223	1-216-073-00	s	RESISTOR,CHIP 10K 1/10W(2012)
R224	1-216-073-00	s	RESISTOR,CHIP 10K 1/10W(2012)
R225	1-216-073-00	s	RESISTOR,CHIP 10K 1/10W(2012)
R226	1-216-073-00	s	RESISTOR,CHIP 10K 1/10W(2012)
R227	1-216-383-11	s	RESISTOR,METAL FILM 0.33 3W
R228	1-216-383-11	s	RESISTOR,METAL FILM 0.33 3W
R229	1-216-383-11	s	RESISTOR,METAL FILM 0.33 3W
R230	1-216-073-00	s	RESISTOR,CHIP 10K 1/10W(2012)
R231	1-217-611-00	s	RESISTOR,METAL 0.1 2W
R232	1-216-073-00	s	RESISTOR,CHIP 10K 1/10W(2012)
R235	1-215-889-00	s	RESISTOR,METAL FILM 330 2W
R237	1-216-073-00	s	RESISTOR,CHIP 10K 1/10W(2012)
R238	1-216-071-00	s	RESISTOR,CHIP 8.2K 1/10W(2012)
R239	1-216-693-11	s	RESISTOR CHIP 56K 1/10W (2012)
R240	1-216-071-00	s	RESISTOR,CHIP 8.2K 1/10W(2012)
R241	1-216-693-11	s	RESISTOR CHIP 56K 1/10W (2012)
R242	1-216-693-11	s	RESISTOR CHIP 56K 1/10W (2012)
R243	1-216-693-11	s	RESISTOR CHIP 56K 1/10W (2012)
R244	1-216-675-11	s	RESISTOR,CHIP 10K 1/10W(2012)

(DR-307D BOARD for DVW-500P/510P, LOT No. 912 or higher)

(DR-307D BOARD for DVW-500P/510P, LOT No. 912 or higher)

Ref. No. or Q'ty	Part No.	SP Description
R245	1-216-675-11	s RESISTOR,CHIP 10K 1/10W(2012)
R246	1-216-675-11	s RESISTOR,CHIP 10K 1/10W(2012)
R247	1-216-675-11	s RESISTOR,CHIP 10K 1/10W(2012)
R248	1-216-385-11	s RESISTOR,METAL FILM 0.47 3W
R249	1-216-385-11	s RESISTOR,METAL FILM 0.47 3W
R250	1-216-071-00	s RESISTOR,CHIP 8.2K 1/10W(2012)
R251	1-216-071-00	s RESISTOR,CHIP 8.2K 1/10W(2012)
R252	1-216-071-00	s RESISTOR,CHIP 8.2K 1/10W(2012)
R253	1-216-071-00	s RESISTOR,CHIP 8.2K 1/10W(2012)
R254	1-216-071-00	s RESISTOR,CHIP 8.2K 1/10W(2012)
R255	1-216-071-00	s RESISTOR,CHIP 8.2K 1/10W(2012)
R256	1-216-073-00	s RESISTOR,CHIP 10K 1/10W(2012)
R257	1-216-073-00	s RESISTOR,CHIP 10K 1/10W(2012)
R258	1-216-073-00	s RESISTOR,CHIP 10K 1/10W(2012)
R259	1-216-073-00	s RESISTOR,CHIP 10K 1/10W(2012)
R260	1-216-073-00	s RESISTOR,CHIP 10K 1/10W(2012)
R261	1-216-073-00	s RESISTOR,CHIP 10K 1/10W(2012)
R262	1-216-073-00	s RESISTOR,CHIP 10K 1/10W(2012)
R263	1-216-073-00	s RESISTOR,CHIP 10K 1/10W(2012)
R264	1-216-073-00	s RESISTOR,CHIP 10K 1/10W(2012)
R265	1-216-073-00	s RESISTOR,CHIP 10K 1/10W(2012)
R266	1-216-073-00	s RESISTOR,CHIP 10K 1/10W(2012)
R267	1-216-073-00	s RESISTOR,CHIP 10K 1/10W(2012)
R268	1-217-611-00	s RESISTOR,METAL 0.1 2W
R272	1-216-073-00	s RESISTOR,CHIP 10K 1/10W(2012)
R300	1-216-065-91	s RESISTOR,CHIP 4.7K 1/10W(2012)
R301	1-216-089-91	s RESISTOR,CHIP 47K 1/10W(2012)
R302	1-216-073-00	s RESISTOR,CHIP 10K 1/10W(2012)
R303	1-216-067-00	s RESISTOR,CHIP 5.6K 1/10W(2012)
R304	1-216-073-00	s RESISTOR,CHIP 10K 1/10W(2012)
R305	1-216-683-11	s RESISTOR,CHIP 22K 1/10W (2012)
R306	1-216-683-11	s RESISTOR,CHIP 22K 1/10W (2012)
R307	1-216-695-11	s RESISTOR,CHIP 68K 1/10W(2012)
R308	1-216-073-00	s RESISTOR,CHIP 10K 1/10W(2012)
R309	1-216-097-00	s RESISTOR CHIP 100K 1/10W(2012)
R310	1-216-085-00	s RESISTOR CHIP 33K 1/10W(2012)
R311	1-216-073-00	s RESISTOR,CHIP 10K 1/10W(2012)
R312	1-216-097-00	s RESISTOR CHIP 100K 1/10W(2012)
R313	1-216-695-11	s RESISTOR,CHIP 68K 1/10W(2012)
R314	1-216-695-11	s RESISTOR,CHIP 68K 1/10W(2012)
R315	1-216-121-00	s RESISTOR CHIP 1M 1/10W(2012)
R316	1-216-695-11	s RESISTOR,CHIP 68K 1/10W(2012)
R317	1-216-097-00	s RESISTOR CHIP 100K 1/10W(2012)
R318	1-216-073-00	s RESISTOR,CHIP 10K 1/10W(2012)
R319	1-216-057-00	s RESISTOR CHIP 2.2K 1/10W(2012)
R320	1-216-089-91	s RESISTOR,CHIP 47K 1/10W(2012)
R321	1-216-073-00	s RESISTOR,CHIP 10K 1/10W(2012)
R322	1-216-073-00	s RESISTOR,CHIP 10K 1/10W(2012)
R323	1-216-067-00	s RESISTOR,CHIP 5.6K 1/10W(2012)
R324	1-216-683-11	s RESISTOR,CHIP 22K 1/10W (2012)
R325	1-216-683-11	s RESISTOR,CHIP 22K 1/10W (2012)
R326	1-216-695-11	s RESISTOR,CHIP 68K 1/10W(2012)
R327	1-216-073-00	s RESISTOR,CHIP 10K 1/10W(2012)
R328	1-216-695-11	s RESISTOR,CHIP 68K 1/10W(2012)
R329	1-216-695-11	s RESISTOR,CHIP 68K 1/10W(2012)
R330	1-216-097-00	s RESISTOR CHIP 100K 1/10W(2012)
R331	1-216-085-00	s RESISTOR CHIP 33K 1/10W(2012)
R332	1-216-097-00	s RESISTOR CHIP 100K 1/10W(2012)
R333	1-216-073-00	s RESISTOR,CHIP 10K 1/10W(2012)

Ref. No. or Q'ty	Part No.	SP Description
R334	1-216-121-00	s RESISTOR CHIP 1M 1/10W(2012)
R335	1-216-695-11	s RESISTOR,CHIP 68K 1/10W(2012)
R336	1-216-683-11	s RESISTOR,CHIP 22K 1/10W (2012)
R337	1-216-073-00	s RESISTOR,CHIP 10K 1/10W(2012)
R338	1-216-057-00	s RESISTOR CHIP 2.2K 1/10W(2012)
R339	1-216-089-91	s RESISTOR,CHIP 47K 1/10W(2012)
R340	1-216-089-91	s RESISTOR,CHIP 47K 1/10W(2012)
R341	1-216-081-00	s RESISTOR,CHIP 22K 1/10W(2012)
R342	1-216-081-00	s RESISTOR,CHIP 22K 1/10W(2012)
R343	1-216-081-00	s RESISTOR,CHIP 22K 1/10W(2012)
R344	1-216-081-00	s RESISTOR,CHIP 22K 1/10W(2012)
R345	1-216-666-11	s RESISTOR,CHIP 4.3K 1/10W(2012)
R346	1-216-666-11	s RESISTOR,CHIP 4.3K 1/10W(2012)
R347	1-216-121-00	s RESISTOR CHIP 1M 1/10W(2012)
R348	1-216-121-00	s RESISTOR CHIP 1M 1/10W(2012)
R349	1-216-025-00	s RESISTOR,CHIP 100 1/10W(2012)
R350	1-216-025-00	s RESISTOR,CHIP 100 1/10W(2012)
R351	1-216-057-00	s RESISTOR CHIP 2.2K 1/10W(2012)
R352	1-216-057-00	s RESISTOR CHIP 2.2K 1/10W(2012)
R353	1-216-089-91	s RESISTOR,CHIP 47K 1/10W(2012)
R354	1-216-089-91	s RESISTOR,CHIP 47K 1/10W(2012)
R355	1-216-081-00	s RESISTOR,CHIP 22K 1/10W(2012)
R356	1-216-081-00	s RESISTOR,CHIP 22K 1/10W(2012)
R357	1-216-081-00	s RESISTOR,CHIP 22K 1/10W(2012)
R358	1-216-081-00	s RESISTOR,CHIP 22K 1/10W(2012)
R359	1-216-666-11	s RESISTOR,CHIP 4.3K 1/10W(2012)
R360	1-216-666-11	s RESISTOR,CHIP 4.3K 1/10W(2012)
R361	1-216-121-00	s RESISTOR CHIP 1M 1/10W(2012)
R362	1-216-121-00	s RESISTOR CHIP 1M 1/10W(2012)
R363	1-216-057-00	s RESISTOR CHIP 2.2K 1/10W(2012)
R364	1-216-057-00	s RESISTOR CHIP 2.2K 1/10W(2012)
R365	1-216-089-91	s RESISTOR,CHIP 47K 1/10W(2012)
R366	1-216-041-00	s RESISTOR,CHIP 470 1/10W(2012)
R367	1-216-081-00	s RESISTOR,CHIP 22K 1/10W(2012)
R368	1-216-081-00	s RESISTOR,CHIP 22K 1/10W(2012)
R369	1-216-089-91	s RESISTOR,CHIP 47K 1/10W(2012)
R370	1-216-683-11	s RESISTOR,CHIP 22K 1/10W (2012)
R371	1-216-049-11	s RESISTOR,CHIP 1K 1/10W(2012)
R372	1-216-073-00	s RESISTOR,CHIP 10K 1/10W(2012)
R373	1-216-683-11	s RESISTOR,CHIP 22K 1/10W (2012)
R374	1-216-109-00	s RESISTOR CHIP 330K 1/10W(2012)
R375	1-216-109-00	s RESISTOR CHIP 330K 1/10W(2012)
R376	1-216-097-00	s RESISTOR CHIP 100K 1/10W(2012)
R377	1-216-073-00	s RESISTOR,CHIP 10K 1/10W(2012)
R378	1-216-081-00	s RESISTOR,CHIP 22K 1/10W(2012)
R379	1-216-081-00	s RESISTOR,CHIP 22K 1/10W(2012)
R380	1-216-089-91	s RESISTOR,CHIP 47K 1/10W(2012)
R381	1-216-025-00	s RESISTOR,CHIP 100 1/10W(2012)
R382	1-216-025-00	s RESISTOR,CHIP 100 1/10W(2012)
R383	1-216-089-91	s RESISTOR,CHIP 47K 1/10W(2012)
R384	1-216-081-00	s RESISTOR,CHIP 22K 1/10W(2012)
R385	1-216-683-11	s RESISTOR,CHIP 22K 1/10W (2012)
R386	1-216-097-00	s RESISTOR CHIP 100K 1/10W(2012)
R387	1-216-063-91	s RESISTOR,CHIP 3.9K 1/10W(2125)
R388	1-216-063-91	s RESISTOR,CHIP 3.9K 1/10W(2125)
R389	1-216-063-91	s RESISTOR,CHIP 3.9K 1/10W(2125)
R390	1-216-063-91	s RESISTOR,CHIP 3.9K 1/10W(2125)
R391	1-216-025-00	s RESISTOR,CHIP 100 1/10W(2012)
R392	1-216-025-00	s RESISTOR,CHIP 100 1/10W(2012)

(DR-307D BOARD for DVW-500P/510P, LOT No. 912 or higher)

(DR-307D BOARD for DVW-500P/510P, LOT No. 912 or higher)

Ref. No. or Q'ty	Part No.	SP	Description
R393	1-216-025-00	s	RESISTOR,CHIP 100 1/10W(2012)
R394	1-216-025-00	s	RESISTOR,CHIP 100 1/10W(2012)
R395	1-216-025-00	s	RESISTOR,CHIP 100 1/10W(2012)
R396	1-216-025-00	s	RESISTOR,CHIP 100 1/10W(2012)
R397	1-216-025-00	s	RESISTOR,CHIP 100 1/10W(2012)
R398	1-216-025-00	s	RESISTOR,CHIP 100 1/10W(2012)
R399	1-216-025-00	s	RESISTOR,CHIP 100 1/10W(2012)
R400	1-216-025-00	s	RESISTOR,CHIP 100 1/10W(2012)
R401	1-216-025-00	s	RESISTOR,CHIP 100 1/10W(2012)
R402	1-216-089-91	s	RESISTOR, CHIP 47K 1/10W(2012)
R403	1-216-065-91	s	RESISTOR,CHIP 4.7K 1/10W(2012)
R404	1-216-646-11	s	RESISTOR,CHIP 620 1/10W (2012)
R405	1-216-065-91	s	RESISTOR,CHIP 4.7K 1/10W(2012)
R406	1-216-089-91	s	RESISTOR, CHIP 47K 1/10W(2012)
R407	1-216-690-11	s	RESISTOR,CHIP 43K 1/10W(2012)
R408	*f 1-216-690-11	s	RESISTOR,CHIP 43K 1/10W(2012)
	*e 1-216-691-11	s	RESISTOR,CHIP 47K 1/10W(2012)
R409	1-216-055-00	s	RESISTOR CHIP 1.8K 1/10W(2012)
R410	1-216-089-91	s	RESISTOR, CHIP 47K 1/10W(2012)
R411	1-216-089-91	s	RESISTOR, CHIP 47K 1/10W(2012)
R412	1-216-073-00	s	RESISTOR,CHIP 10K 1/10W(2012)
R413	1-216-075-00	s	RESISTOR CHIP 12K 1/10W(2012)
R414	1-216-133-00	s	RESISTOR,CHIP 3.3M 1/10W(2012)
R415	1-216-073-00	s	RESISTOR,CHIP 10K 1/10W(2012)
R416	1-216-073-00	s	RESISTOR,CHIP 10K 1/10W(2012)
R417	1-216-073-00	s	RESISTOR,CHIP 10K 1/10W(2012)
R418	1-216-097-00	s	RESISTOR CHIP 100K 1/10W(2012)
R419	1-216-069-00	s	RESISTOR,CHIP 6.8K 1/10W(2012)
R420	1-216-065-91	s	RESISTOR,CHIP 4.7K 1/10W(2012)
R421	1-216-025-00	s	RESISTOR,CHIP 100 1/10W(2012)
R422	1-216-097-00	s	RESISTOR CHIP 100K 1/10W(2012)
R423	1-216-663-11	s	RESISTOR,CHIP 3.3K 1/10W(2012)
R424	1-216-073-00	s	RESISTOR,CHIP 10K 1/10W(2012)
R425	1-216-629-11	s	RESISTOR,CHIP 120 1/10W (2012)
R426	1-216-651-11	s	RESISTOR,CHIP 1K 1/10W(2012)
R427	1-216-025-00	s	RESISTOR,CHIP 100 1/10W(2012)
R428	1-216-049-11	s	RESISTOR, CHIP 1K 1/10W(2012)
R429	1-216-089-91	s	RESISTOR, CHIP 47K 1/10W(2012)
R430	1-216-053-00	s	RESISTOR CHIP 1.5K 1/10W(2012)
R431	1-216-073-00	s	RESISTOR,CHIP 10K 1/10W(2012)
R432	1-216-121-00	s	RESISTOR CHIP 1M 1/10W(2012)
R433	1-216-097-00	s	RESISTOR CHIP 100K 1/10W(2012)
R500	1-216-059-00	s	RESISTOR,CHIP 2.7K 1/10W(2012)
R501	1-216-089-91	s	RESISTOR, CHIP 47K 1/10W(2012)
R502	1-216-666-11	s	RESISTOR,CHIP 4.3K 1/10W(2012)
R503	1-216-666-11	s	RESISTOR,CHIP 4.3K 1/10W(2012)
R504	1-216-666-11	s	RESISTOR,CHIP 4.3K 1/10W(2012)
R505	1-216-107-00	s	RESISTOR,CHIP 270K 1/10W(2012)
R506	1-216-089-91	s	RESISTOR, CHIP 47K 1/10W(2012)
R507	1-216-089-91	s	RESISTOR, CHIP 47K 1/10W(2012)
R508	1-216-065-91	s	RESISTOR,CHIP 4.7K 1/10W(2012)
R509	1-216-065-91	s	RESISTOR,CHIP 4.7K 1/10W(2012)
R510	1-216-666-11	s	RESISTOR,CHIP 4.3K 1/10W(2012)
R511	1-216-089-91	s	RESISTOR, CHIP 47K 1/10W(2012)
R512	1-216-081-00	s	RESISTOR,CHIP 22K 1/10W(2012)
R513	1-216-045-00	s	RESISTOR,CHIP 680 1/10W(2012)
R514	1-216-065-91	s	RESISTOR,CHIP 4.7K 1/10W(2012)
R515	1-216-059-00	s	RESISTOR,CHIP 2.7K 1/10W(2012)
R516	1-216-089-91	s	RESISTOR, CHIP 47K 1/10W(2012)
R517	1-216-666-11	s	RESISTOR,CHIP 4.3K 1/10W(2012)

Ref. No. or Q'ty	Part No.	SP	Description
R518	1-216-666-11	s	RESISTOR,CHIP 4.3K 1/10W(2012)
R519	1-216-666-11	s	RESISTOR,CHIP 4.3K 1/10W(2012)
R520	1-216-107-00	s	RESISTOR,CHIP 270K 1/10W(2012)
R521	1-216-089-91	s	RESISTOR, CHIP 47K 1/10W(2012)
R522	1-216-089-91	s	RESISTOR, CHIP 47K 1/10W(2012)
R523	1-216-065-91	s	RESISTOR,CHIP 4.7K 1/10W(2012)
R524	1-216-065-91	s	RESISTOR,CHIP 4.7K 1/10W(2012)
R525	1-216-666-11	s	RESISTOR,CHIP 4.3K 1/10W(2012)
R526	1-216-089-91	s	RESISTOR, CHIP 47K 1/10W(2012)
R527	1-216-081-00	s	RESISTOR,CHIP 22K 1/10W(2012)
R528	1-216-045-00	s	RESISTOR,CHIP 680 1/10W(2012)
R529	1-216-065-91	s	RESISTOR,CHIP 4.7K 1/10W(2012)
R530	1-216-089-91	s	RESISTOR, CHIP 47K 1/10W(2012)
R531	1-216-089-91	s	RESISTOR, CHIP 47K 1/10W(2012)
R532	1-216-666-11	s	RESISTOR,CHIP 4.3K 1/10W(2012)
R533	1-216-077-00	s	RESISTOR,CHIP 15K 1/10W(2012)
R534	1-216-666-11	s	RESISTOR,CHIP 4.3K 1/10W(2012)
R535	1-216-113-00	s	RESISTOR CHIP 470K 1/10W(2012)
R536	1-216-089-91	s	RESISTOR, CHIP 47K 1/10W(2012)
R537	1-216-089-91	s	RESISTOR, CHIP 47K 1/10W(2012)
R538	1-216-065-91	s	RESISTOR,CHIP 4.7K 1/10W(2012)
R539	1-216-065-91	s	RESISTOR,CHIP 4.7K 1/10W(2012)
R540	1-216-666-11	s	RESISTOR,CHIP 4.3K 1/10W(2012)
R541	1-216-089-91	s	RESISTOR, CHIP 47K 1/10W(2012)
R542	1-216-081-00	s	RESISTOR,CHIP 22K 1/10W(2012)
R543	1-216-045-00	s	RESISTOR,CHIP 680 1/10W(2012)
R544	1-216-065-91	s	RESISTOR,CHIP 4.7K 1/10W(2012)
R545	1-217-611-00	s	RESISTOR,METAL 0.1 2W
R546	1-216-073-00	s	RESISTOR,CHIP 10K 1/10W(2012)
R547	1-216-073-00	s	RESISTOR,CHIP 10K 1/10W(2012)
R548	1-216-073-00	s	RESISTOR,CHIP 10K 1/10W(2012)
R549	1-216-001-00	s	RESISTOR, CHIP 10 1/10W(2012)
R550	1-216-295-91	s	CONDUCTOR, CHIP (2012)
R551	1-216-073-00	s	RESISTOR,CHIP 10K 1/10W(2012)
R552	1-216-001-00	s	RESISTOR, CHIP 10 1/10W(2012)
R553	1-216-666-11	s	RESISTOR,CHIP 4.3K 1/10W(2012)
R554	1-216-073-00	s	RESISTOR,CHIP 10K 1/10W(2012)
R555	1-216-666-11	s	RESISTOR,CHIP 4.3K 1/10W(2012)
R556	1-216-117-00	s	RESISTOR,CHIP 680K 1/10W(2012)
R701	1-216-049-11	s	RESISTOR, CHIP 1K 1/10W(2012)
R702	1-216-049-11	s	RESISTOR, CHIP 1K 1/10W(2012)
R703	1-216-073-00	s	RESISTOR,CHIP 10K 1/10W(2012)
R704	1-216-073-00	s	RESISTOR,CHIP 10K 1/10W(2012)
R705	1-216-065-91	s	RESISTOR,CHIP 4.7K 1/10W(2012)
R706	1-216-065-91	s	RESISTOR,CHIP 4.7K 1/10W(2012)
R707	1-216-065-91	s	RESISTOR,CHIP 4.7K 1/10W(2012)
R708	1-216-109-00	s	RESISTOR CHIP 330K 1/10W(2012)
R709	1-216-075-00	s	RESISTOR CHIP 12K 1/10W(2012)
R710	1-216-121-00	s	RESISTOR CHIP 1M 1/10W(2012)
R711	1-216-089-91	s	RESISTOR, CHIP 47K 1/10W(2012)
R712	1-216-091-00	s	RESISTOR CHIP 56K 1/10W(2012)
R713	1-216-089-91	s	RESISTOR, CHIP 47K 1/10W(2012)
R714	1-216-089-91	s	RESISTOR, CHIP 47K 1/10W(2012)
R715	1-216-083-00	s	RESISTOR CHIP 27K 1/10W(2012)
R716	1-216-073-00	s	RESISTOR,CHIP 10K 1/10W(2012)
R717	1-216-085-00	s	RESISTOR CHIP 33K 1/10W(2012)
R718	1-216-097-00	s	RESISTOR CHIP 100K 1/10W(2012)
R719	1-216-065-91	s	RESISTOR,CHIP 4.7K 1/10W(2012)
R720	1-216-065-91	s	RESISTOR,CHIP 4.7K 1/10W(2012)

(DR-307D BOARD for DVW-500P/510P, LOT No. 912 or higher)

Ref. No. or Q'ty	Part No.	SP Description
R721	1-216-069-00	s RESISTOR,CHIP 6.8K 1/10W(2012)
R722	1-216-069-00	s RESISTOR,CHIP 6.8K 1/10W(2012)
R723	1-216-097-00	s RESISTOR CHIP 100K 1/10W(2012)
R724	1-216-073-00	s RESISTOR,CHIP 10K 1/10W(2012)
R725	1-216-099-00	s RESISTOR,CHIP 120K 1/10W(2012)
R726	1-216-073-00	s RESISTOR,CHIP 10K 1/10W(2012)
R727	1-216-067-00	s RESISTOR,CHIP 5.6K 1/10W(2012)
R728	1-216-067-00	s RESISTOR,CHIP 5.6K 1/10W(2012)
R729	1-216-033-00	s RESISTOR,CHIP 220 1/10W(2012)
R730	1-216-097-00	s RESISTOR CHIP 100K 1/10W(2012)
R731	1-216-097-00	s RESISTOR CHIP 100K 1/10W(2012)
R732	1-216-071-00	s RESISTOR,CHIP 8.2K 1/10W(2012)
R733	1-216-073-00	s RESISTOR,CHIP 10K 1/10W(2012)
R734	1-216-097-00	s RESISTOR CHIP 100K 1/10W(2012)
R735	1-216-097-00	s RESISTOR CHIP 100K 1/10W(2012)
R736	1-216-085-00	s RESISTOR CHIP 33K 1/10W(2012)
R737	1-216-073-00	s RESISTOR,CHIP 10K 1/10W(2012)
R738	1-216-099-00	s RESISTOR,CHIP 120K 1/10W(2012)
R739	1-216-071-00	s RESISTOR,CHIP 8.2K 1/10W(2012)
R740	1-216-071-00	s RESISTOR,CHIP 8.2K 1/10W(2012)
R741	1-216-121-00	s RESISTOR CHIP 1M 1/10W(2012)
R742	1-216-109-00	s RESISTOR CHIP 330K 1/10W(2012)
R743	1-216-073-00	s RESISTOR,CHIP 10K 1/10W(2012)
R744	1-216-073-00	s RESISTOR,CHIP 10K 1/10W(2012)
R745	1-216-081-00	s RESISTOR,CHIP 22K 1/10W(2012)
R746	1-216-089-91	s RESISTOR, CHIP 47K 1/10W(2012)
R747	1-216-057-00	s RESISTOR CHIP 2.2K 1/10W(2012)
R748	1-216-057-00	s RESISTOR CHIP 2.2K 1/10W(2012)
R749	1-216-057-00	s RESISTOR CHIP 2.2K 1/10W(2012)
R750	1-219-684-11	s RESISTOR, CHIP 0.01 1W
R751	1-216-025-00	s RESISTOR,CHIP 100 1/10W(2012)
R752	1-216-025-00	s RESISTOR,CHIP 100 1/10W(2012)
R753	1-216-081-00	s RESISTOR,CHIP 22K 1/10W(2012)
R754	1-216-089-91	s RESISTOR, CHIP 47K 1/10W(2012)
R755	1-216-057-00	s RESISTOR CHIP 2.2K 1/10W(2012)
R756	1-216-057-00	s RESISTOR CHIP 2.2K 1/10W(2012)
R757	1-216-057-00	s RESISTOR CHIP 2.2K 1/10W(2012)
R758	1-216-081-00	s RESISTOR,CHIP 22K 1/10W(2012)
R759	1-216-089-91	s RESISTOR, CHIP 47K 1/10W(2012)
R760	1-216-057-00	s RESISTOR CHIP 2.2K 1/10W(2012)
R761	1-216-057-00	s RESISTOR CHIP 2.2K 1/10W(2012)
R762	1-216-057-00	s RESISTOR CHIP 2.2K 1/10W(2012)
R800	1-216-017-91	s RESISTOR, CHIP 47 1/10W(2012)
R801	1-216-017-91	s RESISTOR, CHIP 47 1/10W(2012)
R802	1-216-017-91	s RESISTOR, CHIP 47 1/10W(2012)
R803	1-216-017-91	s RESISTOR, CHIP 47 1/10W(2012)
R804	1-216-017-91	s RESISTOR, CHIP 47 1/10W(2012)
R805	1-216-017-91	s RESISTOR, CHIP 47 1/10W(2012)
R806	1-216-017-91	s RESISTOR, CHIP 47 1/10W(2012)
R807	1-216-017-91	s RESISTOR, CHIP 47 1/10W(2012)
RB100	*b 1-236-908-11	s RESISTOR,NETWORK 10K (3216)
RB101	*b 1-236-908-11	s RESISTOR,NETWORK 10K (3216)
RB102	*b 1-236-908-11	s RESISTOR,NETWORK 10K (3216)
RB103	*b 1-236-904-11	s RESISTOR NETWORK 1K (1608)
RB104	*b 1-233-665-11	s NETWORK, RES (8 GANG) 47K
RB105	*d 1-233-270-11	o RESISTOR, NETWORK (8 GANG) 10K
	*c 1-233-665-11	s NETWORK, RES (8 GANG) 47K
RB106	*b 1-233-270-11	o RESISTOR, NETWORK (8 GANG) 10K
X101	1-579-928-11	s VIBRATOR CERAMIC (2.27MHZ)

DR-200 BOARD LOT No. 302 through 911

Ref. No. or Q'ty	Part No.	SP Description
1pc	A-8275-069-B	o MOUNTED CIRCUIT BOARD, DR-200P (For Europa model)
	A-8275-267-B	o MOUNTED CIRCUIT BOARD, DR-200PG (For USA and Canada models)
2pcs	1-526-652-21	s SOCKET, IC 8P (For IC10 or IC25)
2pcs	3-180-760-01	o SUPPORT, DR
3pcs	3-180-852-01	o BRACKET, TRANSISTOR FIXED
1pc	3-180-873-03	o SHEET, INSULATING (DR)
1pc	3-180-886-02	o HEAT SINK (DR)
1pc	3-182-546-01	o HEAT SINK, DR SUB
3pcs	3-531-576-11	s RIVET, NYLON
1pc	3-646-084-00	o CAP, REINFORCEMENT
7pcs	4-886-821-11	s SCREW, M3x6 CASE (SILVER)
2pcs	7-682-902-11	s SCREW +PWH 2.6x5
1pc	7-682-903-21	s SCREW +PWH 3x8
1pc	7-684-023-04	s NUT M3, TYPE 2
1pc	9-911-840-XX	s CUSHION, RUBBER (For L200-205)
C100	1-126-941-11	s ELECT 470uF 20% 25V
C101	1-126-941-11	s ELECT 470uF 20% 25V
C102	1-126-933-11	s ELECT 100uF 20% 16V
C103	1-126-933-11	s ELECT 100uF 20% 16V
C104	1-126-941-11	s ELECT 470uF 20% 25V
C105	1-126-933-11	s ELECT 100uF 20% 16V
C106	1-135-181-21	s TANTALUM, CHIP 4.7uF 10% 6.3V
C107	1-135-181-21	s TANTALUM, CHIP 4.7uF 10% 6.3V
C108	1-126-964-11	s ELECT 10uF 20% 50V
C109	1-126-964-11	s ELECT 10uF 20% 50V
C110	1-163-034-00	s CERAMIC, CHIP 0.033uF 50V (2125)
C111	1-163-263-11	s CERAMIC, CHIP 330pF 5% 50V (2125)
C112	1-163-022-00	s CERAMIC, CHIP 0.012uF 10% 50V
C113	1-126-940-11	s ELECT 330uF 20% 25V
C114	1-163-017-00	s CERAMIC, CHIP 4700pF 10% 50V (2125)
C115	1-126-940-11	s ELECT 330uF 20% 25V
C116	1-137-378-11	s FILM 0.22uF 5% 50V
C117	*5 1-135-181-21	s TANTALUM, CHIP 4.7uF 10% 6.3V
	*3 1-135-161-21	s TANTALUM, CHIP 22uF 10% 10V
C118	*4 1-126-934-11	s ELECT 220uF 20% 16V
C119	1-126-317-51	s ELECT 220uF 20% 50V
C120	1-163-037-11	s CERAMIC, CHIP 0.022uF 10% 25V (2125)
C121	1-126-317-51	s ELECT 220uF 20% 50V
C122	1-126-967-11	s ELECT 47uF 20% 50V
C123	1-163-037-11	s CERAMIC, CHIP 0.022uF 10% 25V (2125)
C124	1-126-967-11	s ELECT 47uF 20% 50V
C125	1-126-967-11	s ELECT 47uF 20% 50V
C126	1-164-161-11	s CERAMIC, CHIP 2200pF 10% 100V (2125)
C127	1-164-161-11	s CERAMIC, CHIP 2200pF 10% 100V (2125)
C128	1-130-497-00	s FILM 0.15uF 5% 50V
C129	1-130-497-00	s FILM 0.15uF 5% 50V
C130	1-163-037-11	s CERAMIC, CHIP 0.022uF 10% 25V (2125)
C131	1-163-275-11	s CERAMIC, CHIP 1000pF 5% 50V (2125)
C132	1-163-275-11	s CERAMIC, CHIP 1000pF 5% 50V (2125)
C133	1-163-239-11	s CERAMIC, CHIP 33pF 5% 50V (2125)
C134	1-126-964-11	s ELECT 10uF 20% 50V
C135	1-163-239-11	s CERAMIC, CHIP 33pF 5% 50V (2125)
C136	1-126-964-11	s ELECT 10uF 20% 50V
C137	1-164-232-11	s CERAMIC, CHIP 0.01uF 10% 100V (2125)

-----  
\*3: Board No. suffix 11 or 12  
\*4: Board No. suffix 12 or higher  
\*5: Board No. suffix 13 or higher

(DR-200 BOARD LOT No. 302 through 911)

(DR-200 BOARD LOT No. 302 through 911)

Ref. No. or Q'ty	Part No.	SP	Description
C138-141	1-163-037-11	s	CERAMIC, CHIP 0.022uF 10% 25V
C142	1-164-232-11	s	CERAMIC, CHIP 0.01uF 10% 100V
C143-149	1-163-037-11	s	CERAMIC, CHIP 0.022uF 10% 25V
C200	1-137-378-11	s	FILM 0.22uF 5% 50V
C201	1-126-964-11	s	ELECT 10uF 20% 50V
C202	1-163-037-11	s	CERAMIC, CHIP 0.022uF 10% 25V
C203	1-128-226-11	s	ELECT 220uF 25% 50V
C204	1-126-160-11	s	ELECT 1.0uF 20% 50V
C205	1-163-243-11	s	CERAMIC, CHIP 47pF 5% 50V (2125)
C206	1-126-948-11	s	ELECT 100uF 20% 35V
C207	1-163-243-11	s	CERAMIC, CHIP 47pF 5% 50V (2125)
C208	1-126-940-11	s	ELECT 330uF 20% 25V
C209	1-137-378-11	s	FILM 0.22uF 5% 50V
C210-213	1-124-667-11	s	ELECT 10uF 20% 100V
C214	1-164-232-11	s	CERAMIC, CHIP 0.01uF 10% 100V
C215	1-126-948-11	s	ELECT 100uF 20% 35V
C216	1-137-378-11	s	FILM 0.22uF 5% 50V
C217	1-163-251-11	s	CERAMIC, CHIP 100pF 5% 50V (2125)
C218	1-163-251-11	s	CERAMIC, CHIP 100pF 5% 50V (2125)
C219	1-124-667-11	s	ELECT 10uF 20% 100V
C220	1-137-378-11	s	FILM 0.22uF 5% 50V
C221	1-137-378-11	s	FILM 0.22uF 5% 50V
C222	1-163-251-11	s	CERAMIC, CHIP 100pF 5% 50V (2125)
C223	1-163-251-11	s	CERAMIC, CHIP 100pF 5% 50V (2125)
C224	1-124-667-11	s	ELECT 10uF 20% 100V
C225-227	1-137-378-11	s	FILM 0.22uF 5% 50V
C228-238	1-163-037-11	s	CERAMIC, CHIP 0.022uF 10% 25V
C239	1-137-378-11	s	FILM 0.22uF 5% 50V
C240	1-137-378-11	s	FILM 0.22uF 5% 50V
C241	1-124-667-11	s	ELECT 10uF 20% 100V
C242	1-124-667-11	s	ELECT 10uF 20% 100V
C243	1-128-226-11	s	ELECT 220uF 25% 50V
C244	1-124-667-11	s	ELECT 10uF 20% 100V
C245	1-126-947-11	s	ELECT 47uF 20% 35V
C246-249	1-124-667-11	s	ELECT 10uF 20% 100V
C272	1-126-947-11	s	ELECT 47uF 20% 35V
C300	1-126-933-11	s	ELECT 100uF 20% 16V
C301	1-164-232-11	s	CERAMIC, CHIP 0.01uF 10% 100V
C302	1-126-233-11	s	ELECT 22uF 20% 50V
C303	1-163-809-11	s	CERAMIC, CHIP 0.047uF 10% 25V
C304	1-163-037-11	s	CERAMIC, CHIP 0.022uF 10% 25V
C305	1-164-004-11	s	CERAMIC, CHIP 0.1uF 10% 25V
C306	1-163-037-11	s	CERAMIC, CHIP 0.022uF 10% 25V
C307	1-164-004-11	s	CERAMIC, CHIP 0.1uF 10% 25V
C308	1-163-809-11	s	CERAMIC, CHIP 0.047uF 10% 25V
C309	1-164-004-11	s	CERAMIC, CHIP 0.1uF 10% 25V
C310	1-130-477-00	s	FILM 0.0033uF 5% 50V
C311	1-163-275-11	s	CERAMIC, CHIP 1000pF 5% 50V
C312	1-163-251-11	s	CERAMIC, CHIP 100pF 5% 50V (2125)
C313	1-126-964-11	s	ELECT 10uF 20% 50V
C314	1-163-037-11	s	CERAMIC, CHIP 0.022uF 10% 25V
C315	1-163-809-11	s	CERAMIC, CHIP 0.047uF 10% 25V
C316	1-163-809-11	s	CERAMIC, CHIP 0.047uF 10% 25V
C317	1-164-004-11	s	CERAMIC, CHIP 0.1uF 10% 25V
C318	1-130-477-00	s	FILM 0.0033uF 5% 50V
C319	1-163-275-11	s	CERAMIC, CHIP 1000pF 5% 50V

Ref. No. or Q'ty	Part No.	SP	Description
C320	1-126-964-11	s	ELECT 10uF 20% 50V
C321	1-163-251-11	s	CERAMIC, CHIP 100pF 5% 50V (2125)
C322-324	1-163-037-11	s	CERAMIC, CHIP 0.022uF 10% 25V (2125)
C325	1-163-809-11	s	CERAMIC, CHIP 0.047uF 10% 25V (2125)
C326	1-163-809-11	s	CERAMIC, CHIP 0.047uF 10% 25V (2125)
C327-329	1-163-275-11	s	CERAMIC, CHIP 1000pF 5% 50V (2125)
C330	1-163-037-11	s	CERAMIC, CHIP 0.022uF 10% 25V (2125)
C331	1-164-004-11	s	CERAMIC, CHIP 0.1uF 10% 25V (2125)
C332	1-163-809-11	s	CERAMIC, CHIP 0.047uF 10% 25V (2125)
C333	1-163-275-11	s	CERAMIC, CHIP 1000pF 5% 50V (2125)
C334	1-163-275-11	s	CERAMIC, CHIP 1000pF 5% 50V (2125)
C335	1-163-037-11	s	CERAMIC, CHIP 0.022uF 10% 25V (2125)
C336	1-164-004-11	s	CERAMIC, CHIP 0.1uF 10% 25V (2125)
C337	1-163-037-11	s	CERAMIC, CHIP 0.022uF 10% 25V (2125)
C338	1-164-004-11	s	CERAMIC, CHIP 0.1uF 10% 25V (2125)
C339-341	1-163-037-11	s	CERAMIC, CHIP 0.022uF 10% 25V (2125)
C342	*3 1-164-232-11	s	CERAMIC, CHIP 0.01uF 10% 100V (2125)
C343	1-126-233-11	s	ELECT 22uF 20% 50V
C344	1-164-232-11	s	CERAMIC, CHIP 0.01uF 10% 100V (2125)
C345	1-107-682-11	s	CERAMIC, CHIP 1.0uF 10% 16V
C346	1-164-232-11	s	CERAMIC, CHIP 0.01uF 10% 100V (2125)
C347	1-107-682-11	s	CERAMIC, CHIP 1.0uF 10% 16V
C348	1-164-232-11	s	CERAMIC, CHIP 0.01uF 10% 100V (2125)
C349	1-107-682-11	s	CERAMIC, CHIP 1.0uF 10% 16V
C350	1-164-232-11	s	CERAMIC, CHIP 0.01uF 10% 100V (2125)
C351	1-107-682-11	s	CERAMIC, CHIP 1.0uF 10% 16V
C401	1-136-481-11	s	FILM 0.0022uF 5% 100V
C402	1-136-481-11	s	FILM 0.0022uF 5% 100V
C403	1-163-037-11	s	CERAMIC, CHIP 0.022uF 10% 25V (2125)
C404	1-126-964-11	s	ELECT 10uF 20% 50V
C405	1-164-004-11	s	CERAMIC, CHIP 0.1uF 10% 25V (2125)
C406	1-164-004-11	s	CERAMIC, CHIP 0.1uF 10% 25V (2125)
C407	1-163-809-11	s	CERAMIC, CHIP 0.047uF 10% 25V (2125)
C408	1-163-809-11	s	CERAMIC, CHIP 0.047uF 10% 25V (2125)
C409	1-163-263-11	s	CERAMIC, CHIP 330pF 5% 50V (2125)
C410	1-163-263-11	s	CERAMIC, CHIP 330pF 5% 50V (2125)
C411	*4 1-135-167-21	s	TANTALUM, CHIP 68uF 10% 6.3V
	*1 1-131-388-00	s	TANTALUM 68uF 10% 6.3V
C412	*4 1-135-167-21	s	TANTALUM, CHIP 68uF 10% 6.3V
	*1 1-131-388-00	s	TANTALUM 68uF 10% 6.3V
C413	1-126-947-11	s	ELECT 47uF 20% 35V
C414	1-126-947-11	s	ELECT 47uF 20% 35V
C415	1-126-966-11	s	ELECT 33uF 20% 50V
C416	1-163-034-00	s	CERAMIC, CHIP 0.033uF 50V (2125)
C417	1-126-947-11	s	ELECT 47uF 20% 35V
C418-423	1-126-964-11	s	ELECT 10uF 20% 50V
C424-426	1-163-037-11	s	CERAMIC, CHIP 0.022uF 10% 25V (2125)
C427	1-126-964-11	s	ELECT 10uF 20% 50V
C428	1-126-964-11	s	ELECT 10uF 20% 50V
C429	1-135-145-11	s	TANTALUM, CHIP 0.47uF 10% 35V
C430	1-135-145-11	s	TANTALUM, CHIP 0.47uF 10% 35V
C431	1-164-232-11	s	CERAMIC, CHIP 0.01uF 10% 100V (2125)
C432	*4 1-163-037-11	s	CERAMIC, CHIP 0.022uF 10% 25V (2125)
C500	1-164-004-11	s	CERAMIC, CHIP 0.1uF 10% 25V (2125)
C502	1-163-037-11	s	CERAMIC, CHIP 0.022uF 10% 25V (2125)

-----  
 \*1: Board No. suffix 11 only  
 \*3: Board No. suffix 11 or 12  
 \*4: Board No. suffix 12 or higher

(DR-200 BOARD LOT No. 302 through 911)

Ref. No. or Q'ty	Part No.	SP	Description
C503	1-163-037-11	s	CERAMIC, CHIP 0.022uF 10% 25V
C504	1-163-809-11	s	CERAMIC, CHIP 0.047uF 10% 25V
C505	1-163-037-11	s	CERAMIC, CHIP 0.022uF 10% 25V
C506	1-164-004-11	s	CERAMIC, CHIP 0.1uF 10% 25V
C507	1-164-161-11	s	CERAMIC, CHIP 2200pF 10% 100V
C508	1-163-125-00	s	CERAMIC, CHIP 220pF 5% 50V
C509	1-163-125-00	s	CERAMIC, CHIP 220pF 5% 50V (2125)
C510-512	1-164-004-11	s	CERAMIC, CHIP 0.1uF 10% 25V
C514	1-163-037-11	s	CERAMIC, CHIP 0.022uF 10% 25V
C515	1-163-037-11	s	CERAMIC, CHIP 0.022uF 10% 25V
C516	1-163-809-11	s	CERAMIC, CHIP 0.047uF 10% 25V
C517	1-163-037-11	s	CERAMIC, CHIP 0.022uF 10% 25V
C518	1-164-004-11	s	CERAMIC, CHIP 0.1uF 10% 25V
C519	1-164-161-11	s	CERAMIC, CHIP 2200pF 10% 100V
C520	1-163-125-00	s	CERAMIC, CHIP 220pF 5% 50V (2125)
C521	1-163-125-00	s	CERAMIC, CHIP 220pF 5% 50V (2125)
C522-524	1-164-004-11	s	CERAMIC, CHIP 0.1uF 10% 25V
C525	1-163-809-11	s	CERAMIC, CHIP 0.047uF 10% 25V
C526	1-163-809-11	s	CERAMIC, CHIP 0.047uF 10% 25V
C527	1-163-037-11	s	CERAMIC, CHIP 0.022uF 10% 25V
C528	1-163-809-11	s	CERAMIC, CHIP 0.047uF 10% 25V
C529	1-163-037-11	s	CERAMIC, CHIP 0.022uF 10% 25V
C530	1-164-004-11	s	CERAMIC, CHIP 0.1uF 10% 25V
C531	1-164-161-11	s	CERAMIC, CHIP 2200pF 10% 100V
C532	1-163-125-00	s	CERAMIC, CHIP 220pF 5% 50V (2125)
C533	1-163-125-00	s	CERAMIC, CHIP 220pF 5% 50V (2125)
C534	1-164-004-11	s	CERAMIC, CHIP 0.1uF 10% 25V
C535	1-164-004-11	s	CERAMIC, CHIP 0.1uF 10% 25V
C541	1-126-157-11	s	ELECT 10uF 20% 16V
C542	1-126-157-11	s	ELECT 10uF 20% 16V
C543	1-163-037-11	s	CERAMIC, CHIP 0.022uF 10% 25V
C700	1-164-232-11	s	CERAMIC, CHIP 0.01uF 10% 100V
C701	1-164-232-11	s	CERAMIC, CHIP 0.01uF 10% 100V
C702	1-164-161-11	s	CERAMIC, CHIP 2200pF 10% 100V
C703	1-164-004-11	s	CERAMIC, CHIP 0.1uF 10% 25V
C704	1-164-161-11	s	CERAMIC, CHIP 2200pF 10% 100V
C705	*4 1-135-164-21	s	TANTALUM, CHIP 22uF 10% 16V
	*1 1-124-234-00	s	ELECT 22uF 20% 16V
C706	1-163-251-11	s	CERAMIC, CHIP 100pF 5% 50V (2125)
C708	*1 1-126-934-11	s	ELECT 220uF 20% 16V
C800-807	*4 1-164-161-11	s	CERAMIC, CHIP 2200pF 10% 100V
	*1 1-102-121-00	s	CERAMIC 2200pF 10% 50V
C901	*5 1-126-964-11	s	ELECT 10uF 20% 50V
C902	*5 1-126-964-11	s	ELECT 10uF 20% 50V
C903	*5 1-126-933-11	s	ELECT 100uF 20% 16V
C904	*5 1-126-933-11	s	ELECT 100uF 20% 16V
C905	*5 1-163-037-11	s	CERAMIC, CHIP 0.022uF 10% 25V
C906	*5 1-163-037-11	s	CERAMIC, CHIP 0.022uF 10% 25V
C911	*5 1-126-964-11	s	ELECT 10uF 20% 50V
C912	*5 1-163-037-11	s	CERAMIC, CHIP 0.022uF 10% 25V
C913	*5 1-163-037-11	s	CERAMIC, CHIP 0.022uF 10% 25V
C914	*5 1-135-179-21	s	TANTALUM, CHIP 2.2uF 10% 16V
C915	*5 1-163-037-11	s	CERAMIC, CHIP 0.022uF 10% 25V
C916	*5 1-163-037-11	s	CERAMIC, CHIP 0.022uF 10% 25V
C917	*5 1-163-243-11	s	CERAMIC, CHIP 47pF 5% 50V (2125)

-----  
 \*1: Board No. suffix 11 only  
 \*4: Board No. suffix 12 or higher

(DR-200 BOARD LOT No. 302 through 911)

Ref. No. or Q'ty	Part No.	SP	Description
C918	*5 1-163-243-11	s	CERAMIC, CHIP 47pF 5% 50V (2125)
C919	*5 1-164-232-11	s	CERAMIC, CHIP 0.01uF 10% 100V (2125)
C931	*5 1-164-004-11	s	CERAMIC, CHIP 0.1uF 10% 25V (2125)
C932	*5 1-135-159-21	s	TANTALUM, CHIP 10uF 10% 20V
C935-942	*5 1-163-037-11	s	CERAMIC, CHIP 0.022uF 10% 25V (2125)
C950	*5 1-163-037-11	s	CERAMIC, CHIP 0.022uF 10% 25V (2125)
C961	*5 1-135-159-21	s	TANTALUM, CHIP 10uF 10% 20V
CN302	1-750-879-11	s	CONNECTOR, FLAT CABLE 60P, MALE
CN303	1-506-480-11	s	CONNECTOR, 15P, MALE
CN304	1-565-189-11	s	CONNECTOR, FPC 36P
CN305	1-565-189-11	s	CONNECTOR, FPC 36P
CN306	1-564-242-00	o	CONNECTOR, VH 5P, MALE
CN321	1-562-708-11	o	CONNECTOR, FPC 13P
CN322	1-562-708-11	o	CONNECTOR, FPC 13P
CN901	*5 1-564-002-11	s	CONNECTOR, 3P, MALE
D100	8-719-903-06	s	DIODE ERC84-009
D101	8-719-801-48	s	DIODE 1SS193
D102	8-719-900-95	s	DIODE V09G
D103	8-719-404-35	s	DIODE MA141WK
D104	8-719-404-35	s	DIODE MA141WK
D200	8-719-801-48	s	DIODE 1SS193
D201	8-719-157-33	s	DIODE RD6.2M-B
D202	8-719-900-95	s	DIODE V09G
D203	8-719-801-48	s	DIODE 1SS193
D204	8-719-900-95	s	DIODE V09G
D205-210	8-719-210-33	s	DIODE EC10DS2
D211-220	8-719-801-48	s	DIODE 1SS193
D300	8-719-404-35	s	DIODE MA141WK
D301	8-719-404-35	s	DIODE MA141WK
D400-402	8-719-404-35	s	DIODE MA141WK
D500-502	8-719-104-34	s	DIODE 1S2835
D700	8-719-105-38	s	DIODE RD3.0M-B1
D701	*4 8-719-404-35	s	DIODE MA141WK
	*1 8-719-911-19	s	DIODE 1SS119
D800	*4 8-729-028-24	s	DIODE 1SS154
	*1 8-719-101-98	s	DIODE 1SS97-0
D801	*4 8-729-028-24	s	DIODE 1SS154
	*1 8-719-101-98	s	DIODE 1SS97-0
D901	*5 8-719-024-81	s	DIODE 1SS300
D902	*5 8-719-024-81	s	DIODE 1SS300
D903	*5 8-719-404-35	s	DIODE MA141WK
IC1	8-759-300-71	s	IC HD14053BFP
IC2	8-759-929-26	s	IC TL431CPS
IC3	8-759-264-01	s	IC UPD75048GC-508-AB8
IC4	8-759-925-05	s	IC LM2903PS
IC5	8-759-983-69	s	IC LM358PS
IC6	8-759-600-34	s	IC M54532P
IC7	8-759-645-23	s	IC M54523P
IC8	8-759-175-68	s	IC HD29029FP
IC9	8-759-112-58	s	IC UPCL246G
IC10	8-752-330-61	s	IC CXK1013P
IC11	8-759-925-05	s	IC LM2903PS
IC12	8-759-925-80	s	IC SN74HC14ANS

-----  
 \*5: Board No. suffix 13 or higher



(DR-200 BOARD LOT No. 302 through 911)

Ref. No. or Q'ty	Part No.	SP	Description
IC13	8-759-175-68	s	IC HD29029FP
IC14	8-759-908-17	s	IC TL082CPS
IC15	8-759-175-68	s	IC HD29029FP
IC16	8-759-983-69	s	IC LM358PS
IC17	8-759-908-17	s	IC TL082CPS
IC18	8-759-175-68	s	IC HD29029FP
IC19-21	8-759-205-56	s	IC TA7267P
IC22	8-759-175-68	s	IC HD29029FP
IC23	8-759-908-17	s	IC TL082CPS
IC24	8-759-175-68	s	IC HD29029FP
IC25	8-752-330-61	s	IC CXK1013P
IC26	8-759-908-17	s	IC TL082CPS
IC27	8-759-908-92	s	IC TL084CNS
IC28	8-759-925-05	s	IC LM2903PS
IC29	8-759-925-05	s	IC LM2903PS
IC30	*4 8-759-946-00	s	IC MB88341PFV
	*1 8-759-994-64	s	IC MB88341PF
IC31	*3 8-759-008-67	s	IC MC14066BF
IC32	8-759-908-17	s	IC TL082CPS
IC33	8-759-908-17	s	IC TL082CPS
IC34	8-759-925-05	s	IC LM2903PS
IC35	8-759-106-02	s	IC UPC4570G2
IC36	8-759-925-05	s	IC LM2903PS
IC37	8-759-106-02	s	IC UPC4570G2
IC38	8-759-925-05	s	IC LM2903PS
IC39	8-759-009-04	s	IC MC14050BF
IC40	8-759-908-17	s	IC TL082CPS
IC41	8-759-300-71	s	IC HD14053BFP
IC42	8-759-908-17	s	IC TL082CPS
IC43	8-759-673-45	s	IC MM74HC08SJX
IC44	8-759-300-71	s	IC HD14053BFP
IC45	8-759-805-32	s	IC LA7205M
IC46	8-759-805-32	s	IC LA7205M
IC47	8-743-914-00	s	IC BX-3914
IC48	8-759-106-02	s	IC UPC4570G2
IC49	8-759-673-36	s	IC MM74HC00SJX
IC50	8-759-300-71	s	IC HD14053BFP
IC52	8-759-701-75	s	IC NJM7805FA
IC53	8-759-701-84	s	IC NJM7905FA
IC54	8-759-903-37	s	IC LM337T
IC55	*1 8-759-908-17	s	IC TL082CPS
IC100	8-759-300-71	s	IC HD14053BFP
IC500	8-759-906-22	s	IC MB3759PF
IC501	8-759-009-03	s	IC MC14049UBF
IC502	8-759-908-17	s	IC TL082CPS
IC503	8-759-906-22	s	IC MB3759PF
IC504	8-759-009-03	s	IC MC14049UBF
IC505	8-759-908-17	s	IC TL082CPS
IC506	8-759-906-22	s	IC MB3759PF
IC507	8-759-009-03	s	IC MC14049UBF
IC508	8-759-908-17	s	IC TL082CPS
IC700	8-759-906-22	s	IC MB3759PF
IC903	*5 8-759-701-75	s	IC NJM7805FA
IC904	*5 8-759-701-84	s	IC NJM7905FA
IC913	*5 8-759-908-17	s	IC TL082CPS
IC931	*5 8-759-673-36	s	IC MM74HC00SJX

-----  
 \*1: Board No. suffix 11 only  
 \*3: Board No. suffix 11 or 12

(DR-200 BOARD LOT No. 302 through 911)

Ref. No. or Q'ty	Part No.	SP	Description
IC932	*5 8-759-672-91	s	IC MM74HC163SJX
IC933	*5 8-759-925-85	s	IC SN74HC32ANS
IC934	*5 8-759-908-17	s	IC TL082CPS
IC935	*5 8-759-007-80	s	IC MC74HC175F
IC936	*5 8-759-300-71	s	IC HD14053BFP
IC937	*5 8-759-672-91	s	IC MM74HC163SJX
IC938	*5 8-759-239-55	s	IC TC74HC123AF
IC950	*5 8-759-234-13	s	IC TC4S30F
L100-103	1-412-533-21	s	INDUCTOR 47uH
L104	1-408-519-00	s	COIL, CHOKE
L105	1-406-749-11	s	COIL, CHOKE
L107	1-412-533-21	s	INDUCTOR 47uH
L108	1-412-533-21	s	INDUCTOR 47uH
L200-205	1-413-090-00	s	COIL, SN 110uH
PS100	Δ 1-532-846-21	s	LINK, IC 5A (For Europa model)
	Δ 1-532-783-21	s	FUSE 5A 125V (For USA and Canada models)
Q100	8-729-117-32	s	TRANSISTOR 2SC4177-L6
Q101	8-729-140-63	s	TRANSISTOR 2SA1611-M5M6
Q102	8-729-905-18	s	TRANSISTOR DTC144EU
Q103	8-729-142-68	s	TRANSISTOR 2SJ143
Q104	8-729-116-42	s	TRANSISTOR 2SD1164
Q106	8-729-142-68	s	TRANSISTOR 2SJ143
Q107	8-729-140-63	s	TRANSISTOR 2SA1611-M5M6
Q108	8-729-117-32	s	TRANSISTOR 2SC4177-L6
Q109	8-729-321-78	s	TRANSISTOR 2SJ176
Q110	8-729-321-79	s	TRANSISTOR 2SK1094
Q111	8-729-140-63	s	TRANSISTOR 2SA1611-M5M6
Q112	8-729-117-32	s	TRANSISTOR 2SC4177-L6
Q113	8-729-321-78	s	TRANSISTOR 2SJ176
Q114	8-729-321-79	s	TRANSISTOR 2SK1094
Q115	8-729-140-63	s	TRANSISTOR 2SA1611-M5M6
Q116	8-729-117-32	s	TRANSISTOR 2SC4177-L6
Q117	8-729-321-78	s	TRANSISTOR 2SJ176
Q118	8-729-321-79	s	TRANSISTOR 2SK1094
Q202	8-729-159-65	s	TRANSISTOR 2SD596-DV5
Q203	8-729-142-68	s	TRANSISTOR 2SJ143
Q204	8-729-142-68	s	TRANSISTOR 2SJ143
Q206	8-729-101-07	s	TRANSISTOR 2SB798-DL
Q210	8-729-142-68	s	TRANSISTOR 2SJ143
Q212	8-729-807-51	s	TRANSISTOR 2SD1623-S
Q213	8-729-142-68	s	TRANSISTOR 2SJ143
Q214	8-729-142-68	s	TRANSISTOR 2SJ143
Q218	8-729-321-79	s	TRANSISTOR 2SK1094
Q219	8-729-142-68	s	TRANSISTOR 2SJ143
Q222	8-729-321-79	s	TRANSISTOR 2SK1094
Q224	8-729-142-68	s	TRANSISTOR 2SJ143
Q228	8-729-321-79	s	TRANSISTOR 2SK1094
Q229	8-729-142-68	s	TRANSISTOR 2SJ143
Q232	8-729-321-79	s	TRANSISTOR 2SK1094
Q300	8-729-209-07	s	TRANSISTOR 2SC4213-B
Q400	8-729-905-18	s	TRANSISTOR DTC144EU
Q401	8-729-905-18	s	TRANSISTOR DTC144EU

-----  
 \*4: Board No. suffix 12 or higher  
 \*5: Board No. suffix 13 or higher

Ref. No. or Q'ty	Part No.	SP Description
Q402	8-729-140-63	s TRANSISTOR 2SA1611-M5M6
Q403	8-729-901-04	s TRANSISTOR DTA114EK
Q404	8-729-900-53	s TRANSISTOR DTC114EK
Q405	8-729-905-18	s TRANSISTOR DTC144EU
Q406	*5 8-729-900-51	s TRANSISTOR DTA114TK
Q407	*5 8-729-902-XX	s TRANSISTOR DTC114TK
Q500	8-729-905-18	s TRANSISTOR DTC144EU
Q501	8-729-905-18	s TRANSISTOR DTC144EU
Q504	8-729-101-07	s TRANSISTOR 2SB798-DL
Q505	8-729-901-00	s TRANSISTOR DTC124EK
Q506	8-729-901-00	s TRANSISTOR DTC124EK
Q911	*5 8-729-140-63	s TRANSISTOR 2SA1611-M5M6
Q912	*5 8-729-117-32	s TRANSISTOR 2SC4177-L6
Q913	*5 8-729-141-89	s TRANSISTOR 2SD1585
Q914	*5 8-729-141-83	s TRANSISTOR 2SB1094
Q915	*5 8-729-117-32	s TRANSISTOR 2SC4177-L6
Q916	*5 8-729-140-63	s TRANSISTOR 2SA1611-M5M6
Q932	*5 8-729-905-18	s TRANSISTOR DTC144EU
Q951	*5 8-729-905-12	s TRANSISTOR DTA144EU
R1	1-216-067-00	s METAL, CHIP 5.6K 5% 1/10W (2125)
R4	1-216-067-00	s METAL, CHIP 5.6K 5% 1/10W (2125)
R6-9	1-216-097-00	s METAL, CHIP 100K 5% 1/10W (2125)
R10	1-216-071-00	s METAL, CHIP 8.2K 5% 1/10W (2125)
R11	1-216-073-00	s METAL, CHIP 10K 5% 1/10W (2125)
R12	1-216-085-00	s METAL, CHIP 33K 5% 1/10W (2125)
R13	1-216-073-00	s METAL, CHIP 10K 5% 1/10W (2125)
R14	1-216-121-00	s METAL, CHIP 1.0M 5% 1/10W (2125)
R15	1-216-109-00	s METAL, CHIP 330K 5% 1/10W (2125)
R20	1-216-073-00	s METAL, CHIP 10K 5% 1/10W (2125)
R21	1-216-073-00	s METAL, CHIP 10K 5% 1/10W (2125)
R26	1-216-025-00	s METAL, CHIP 100 5% 1/10W (2125)
R27	1-216-025-00	s METAL, CHIP 100 5% 1/10W (2125)
R100	1-216-073-00	s METAL, CHIP 10K 5% 1/10W (2125)
R101	1-216-073-00	s METAL, CHIP 10K 5% 1/10W (2125)
R102	1-216-049-00	s METAL, CHIP 1.0K 5% 1/10W (2125)
R103	1-216-073-00	s METAL, CHIP 10K 5% 1/10W (2125)
R104	1-216-049-00	s METAL, CHIP 1.0K 5% 1/10W (2125)
R105-123	1-216-073-00	s METAL, CHIP 10K 5% 1/10W (2125)
R124	1-216-089-00	s METAL, CHIP 47K 5% 1/10W (2125)
R125	1-216-073-00	s METAL, CHIP 10K 5% 1/10W (2125)
R126	1-216-089-00	s METAL, CHIP 47K 5% 1/10W (2125)
R127	1-216-089-00	s METAL, CHIP 47K 5% 1/10W (2125)
R128	1-216-073-00	s METAL, CHIP 10K 5% 1/10W (2125)
R129	1-216-089-00	s METAL, CHIP 47K 5% 1/10W (2125)
R130	1-216-089-00	s METAL, CHIP 47K 5% 1/10W (2125)
R131	1-216-073-00	s METAL, CHIP 10K 5% 1/10W (2125)
R132	1-216-089-00	s METAL, CHIP 47K 5% 1/10W (2125)
R133-135	1-216-049-00	s METAL, CHIP 1.0K 5% 1/10W (2125)
R136	1-216-089-00	s METAL, CHIP 47K 5% 1/10W (2125)
R137	1-216-073-00	s METAL, CHIP 10K 5% 1/10W (2125)
R138-142	1-216-089-00	s METAL, CHIP 47K 5% 1/10W (2125)
R143	1-216-049-00	s METAL, CHIP 1.0K 5% 1/10W (2125)
R144	1-216-089-00	s METAL, CHIP 47K 5% 1/10W (2125)
R145	1-216-073-00	s METAL, CHIP 10K 5% 1/10W (2125)
R146	1-216-049-00	s METAL, CHIP 1.0K 5% 1/10W (2125)
R147	1-216-089-00	s METAL, CHIP 47K 5% 1/10W (2125)

Ref. No. or Q'ty	Part No.	SP Description
R148	1-216-057-00	s METAL, CHIP 2.2K 5% 1/10W (2125)
R149	1-216-659-11	s METAL, CHIP 2.2K 0.5% 1/10W (2125)
R150	1-216-659-11	s METAL, CHIP 2.2K 0.5% 1/10W (2125)
R151	1-216-089-00	s METAL, CHIP 47K 5% 1/10W (2125)
R152	1-216-113-00	s METAL, CHIP 470K 5% 1/10W (2125)
R153	1-216-113-00	s METAL, CHIP 470K 5% 1/10W (2125)
R154	1-216-105-11	s METAL, CHIP 220K 5% 1/10W (2125)
R155	1-216-115-00	s METAL, CHIP 560K 5% 1/10W (2125)
R156	1-216-105-11	s METAL, CHIP 220K 5% 1/10W (2125)
R157	1-216-093-00	s METAL, CHIP 68K 5% 1/10W (2125)
R158	1-216-099-00	s METAL, CHIP 120K 5% 1/10W (2125)
R159	1-216-091-00	s METAL, CHIP 56K 5% 1/10W (2125)
R160	1-216-065-00	s METAL, CHIP 4.7K 5% 1/10W (2125)
R161	1-216-089-00	s METAL, CHIP 47K 5% 1/10W (2125)
R162	1-216-073-00	s METAL, CHIP 10K 5% 1/10W (2125)
R163	1-216-057-00	s METAL, CHIP 2.2K 5% 1/10W (2125)
R164	1-216-689-11	s METAL, CHIP 39K 0.5% 1/10W (2125)
R165	1-216-073-00	s METAL, CHIP 10K 5% 1/10W (2125)
R166	1-216-047-00	s METAL, CHIP 820 5% 1/10W (2125)
R167	1-216-689-11	s METAL, CHIP 39K 0.5% 1/10W (2125)
R168	1-216-675-11	s METAL, CHIP 10K 0.5% 1/10W (2125)
R169	1-216-675-11	s METAL, CHIP 10K 0.5% 1/10W (2125)
R170	1-217-611-00	s METAL 0.1 10% 2W
R171	1-216-049-00	s METAL, CHIP 1.0K 5% 1/10W (2125)
R172	1-216-089-00	s METAL, CHIP 47K 5% 1/10W (2125)
R173	1-216-049-00	s METAL, CHIP 1.0K 5% 1/10W (2125)
R174	1-216-089-00	s METAL, CHIP 47K 5% 1/10W (2125)
R175	△ 1-215-907-11	s METAL 22 5% 3W
R176	1-216-081-00	s METAL, CHIP 22K 5% 1/10W (2125)
R177	1-216-089-00	s METAL, CHIP 47K 5% 1/10W (2125)
R178-180	1-216-057-00	s METAL, CHIP 2.2K 5% 1/10W (2125)
R181	1-217-611-00	s METAL 0.1 10% 2W
R182	1-216-073-00	s METAL, CHIP 10K 5% 1/10W (2125)
R183	1-216-073-00	s METAL, CHIP 10K 5% 1/10W (2125)
R184	1-216-081-00	s METAL, CHIP 22K 5% 1/10W (2125)
R185	1-216-097-00	s METAL, CHIP 100K 5% 1/10W (2125)
R186	1-216-089-00	s METAL, CHIP 47K 5% 1/10W (2125)
R187-189	1-216-057-00	s METAL, CHIP 2.2K 5% 1/10W (2125)
R190	1-216-073-00	s METAL, CHIP 10K 5% 1/10W (2125)
R191	1-216-081-00	s METAL, CHIP 22K 5% 1/10W (2125)
R192	1-216-089-00	s METAL, CHIP 47K 5% 1/10W (2125)
R193-195	1-216-057-00	s METAL, CHIP 2.2K 5% 1/10W (2125)
R196	*5 1-216-664-11	s METAL, CHIP 3.6K 0.5% 1/10W (2125)
	*3 1-216-062-00	s METAL, CHIP 3.6K 5% 1/10W (2125)
R198	△ 1-215-906-11	s METAL 15 5% 3W
R200-202	1-216-073-00	s METAL, CHIP 10K 5% 1/10W (2125)
R203	1-215-889-00	s METAL 330 5% 2W
R204	1-216-057-00	s METAL, CHIP 2.2K 5% 1/10W (2125)
R205	1-216-089-00	s METAL, CHIP 47K 5% 1/10W (2125)
R206	1-216-073-00	s METAL, CHIP 10K 5% 1/10W (2125)
R207	1-216-097-00	s METAL, CHIP 100K 5% 1/10W (2125)
R208	1-216-097-00	s METAL, CHIP 100K 5% 1/10W (2125)
R209	1-216-073-00	s METAL, CHIP 10K 5% 1/10W (2125)
R210	1-216-049-00	s METAL, CHIP 1.0K 5% 1/10W (2125)
R211	1-216-073-00	s METAL, CHIP 10K 5% 1/10W (2125)
R212	1-216-385-11	s METAL 0.47 5% 3W

-----  
 \*3: Board No. suffix 11 or 12

\*5: Board No. suffix 13 or higher

(DR-200 BOARD LOT No. 302 through 911)

(DR-200 BOARD LOT No. 302 through 911)

Ref. No. or Q'ty	Part No.	SP	Description
R213	1-216-675-11	s	METAL, CHIP 10K 0.5% 1/10W (2125)
R214	1-216-675-11	s	METAL, CHIP 10K 0.5% 1/10W (2125)
R215	1-216-691-11	s	METAL, CHIP 47K 0.5% 1/10W (2125)
R216	1-216-675-11	s	METAL, CHIP 10K 0.5% 1/10W (2125)
R217	1-208-800-11	s	METAL, CHIP 5.6K 0.5% 1/10W
R218	1-216-691-11	s	METAL, CHIP 47K 0.5% 1/10W (2125)
R219	1-216-073-00	s	METAL, CHIP 10K 5% 1/10W (2125)
R220	1-216-089-00	s	METAL, CHIP 47K 5% 1/10W (2125)
R221-226	1-216-073-00	s	METAL, CHIP 10K 5% 1/10W (2125)
R227-229	1-216-383-11	s	METAL 0.33 5% 3W
R230	1-216-073-00	s	METAL, CHIP 10K 5% 1/10W (2125)
R231	1-217-611-00	s	METAL 0.1 10% 2W
R232	1-216-073-00	s	METAL, CHIP 10K 5% 1/10W (2125)
R233	1-216-073-00	s	METAL, CHIP 10K 5% 1/10W (2125)
R234	1-216-089-00	s	METAL, CHIP 47K 5% 1/10W (2125)
R235	1-215-889-00	s	METAL 330 5% 2W
R236	1-216-049-00	s	METAL, CHIP 1.0K 5% 1/10W (2125)
R237	1-216-073-00	s	METAL, CHIP 10K 5% 1/10W (2125)
R238	1-216-071-00	s	METAL, CHIP 8.2K 5% 1/10W (2125)
R239	1-208-824-11	s	METAL, CHIP 56K 0.5% 1/10W (2125)
R240	1-216-071-00	s	METAL, CHIP 8.2K 5% 1/10W (2125)
R241-243	1-208-824-11	s	METAL, CHIP 56K 0.5% 1/10W (2125)
R244-247	1-216-675-11	s	METAL, CHIP 10K 0.5% 1/10W (2125)
R248	1-216-385-11	s	METAL 0.47 5% 3W
R249	1-216-385-11	s	METAL 0.47 5% 3W
R250-255	1-216-071-00	s	METAL, CHIP 8.2K 5% 1/10W (2125)
R256-267	1-216-073-00	s	METAL, CHIP 10K 5% 1/10W (2125)
R268	1-217-611-00	s	METAL 0.1 10% 2W
R269-271	1-216-073-00	s	METAL, CHIP 10K 5% 1/10W (2125)
R272	*4 1-216-073-00	s	METAL, CHIP 10K 5% 1/10W (2125)
	*1 1-249-429-11	s	CARBON 10K 5% 1/4W
R300	1-216-065-00	s	METAL, CHIP 4.7K 5% 1/10W (2125)
R301	1-216-089-00	s	METAL, CHIP 47K 5% 1/10W (2125)
R302	1-216-073-00	s	METAL, CHIP 10K 5% 1/10W (2125)
R303	1-216-067-00	s	METAL, CHIP 5.6K 5% 1/10W (2125)
R304	1-216-073-00	s	METAL, CHIP 10K 5% 1/10W (2125)
R305	1-208-814-11	s	METAL, CHIP 22K 0.5% 1/10W (2125)
R306	1-208-814-11	s	METAL, CHIP 22K 0.5% 1/10W (2125)
R307	1-216-695-11	s	METAL, CHIP 68K 0.5% 1/10W (2125)
R308	1-216-073-00	s	METAL, CHIP 10K 5% 1/10W (2125)
R309	1-216-097-00	s	METAL, CHIP 100K 5% 1/10W (2125)
R310	1-216-085-00	s	METAL, CHIP 33K 5% 1/10W (2125)
R311	1-216-073-00	s	METAL, CHIP 10K 5% 1/10W (2125)
R312	1-216-097-00	s	METAL, CHIP 100K 5% 1/10W (2125)
R313	1-216-695-11	s	METAL, CHIP 68K 0.5% 1/10W (2125)
R314	1-216-695-11	s	METAL, CHIP 68K 0.5% 1/10W
R315	1-216-121-00	s	METAL, CHIP 1.0M 5% 1/10W (2125)
R316	1-216-695-11	s	METAL, CHIP 68K 0.5% 1/10W (2125)
R317	1-216-097-00	s	METAL, CHIP 100K 5% 1/10W (2125)
R318	1-216-073-00	s	METAL, CHIP 10K 5% 1/10W (2125)
R319	1-216-057-00	s	METAL, CHIP 2.2K 5% 1/10W (2125)
R320	1-216-089-00	s	METAL, CHIP 47K 5% 1/10W (2125)
R321	1-216-073-00	s	METAL, CHIP 10K 5% 1/10W (2125)
R322	1-216-073-00	s	METAL, CHIP 10K 5% 1/10W (2125)
R323	1-216-067-00	s	METAL, CHIP 5.6K 5% 1/10W (2125)
R324	1-208-814-11	s	METAL, CHIP 22K 0.5% 1/10W

Ref. No. or Q'ty	Part No.	SP	Description
R325	1-208-814-11	s	METAL, CHIP 22K 0.5% 1/10W (2125)
R326	1-216-695-11	s	METAL, CHIP 68K 0.5% 1/10W (2125)
R327	1-216-073-00	s	METAL, CHIP 10K 5% 1/10W (2125)
R328	1-216-695-11	s	METAL, CHIP 68K 0.5% 1/10W (2125)
R329	1-216-695-11	s	METAL, CHIP 68K 0.5% 1/10W (2125)
R330	1-216-097-00	s	METAL, CHIP 100K 5% 1/10W (2125)
R331	1-216-085-00	s	METAL, CHIP 33K 5% 1/10W (2125)
R332	1-216-097-00	s	METAL, CHIP 100K 5% 1/10W (2125)
R333	1-216-073-00	s	METAL, CHIP 10K 5% 1/10W (2125)
R334	1-216-121-00	s	METAL, CHIP 1.0M 5% 1/10W (2125)
R335	1-216-695-11	s	METAL, CHIP 68K 0.5% 1/10W (2125)
R336	1-208-814-11	s	METAL, CHIP 22K 0.5% 1/10W (2125)
R337	1-216-073-00	s	METAL, CHIP 10K 5% 1/10W (2125)
R338	1-216-057-00	s	METAL, CHIP 2.2K 5% 1/10W (2125)
R339	1-216-089-00	s	METAL, CHIP 47K 5% 1/10W (2125)
R340	1-216-089-00	s	METAL, CHIP 47K 5% 1/10W (2125)
R341-344	1-216-081-00	s	METAL, CHIP 22K 5% 1/10W (2125)
R345	1-216-666-11	s	METAL, CHIP 4.3K 0.5% 1/10W (2125)
R346	1-216-666-11	s	METAL, CHIP 4.3K 0.5% 1/10W (2125)
R347	1-216-121-00	s	METAL, CHIP 1.0M 5% 1/10W (2125)
R348	1-216-121-00	s	METAL, CHIP 1.0M 5% 1/10W (2125)
R349	1-216-025-00	s	METAL, CHIP 100 5% 1/10W (2125)
R350	1-216-025-00	s	METAL, CHIP 100 5% 1/10W (2125)
R351	1-216-057-00	s	METAL, CHIP 2.2K 5% 1/10W (2125)
R352	1-216-057-00	s	METAL, CHIP 2.2K 5% 1/10W (2125)
R353	1-216-089-00	s	METAL, CHIP 47K 5% 1/10W (2125)
R354	1-216-089-00	s	METAL, CHIP 47K 5% 1/10W (2125)
R355-358	1-216-081-00	s	METAL, CHIP 22K 5% 1/10W (2125)
R359	1-216-666-11	s	METAL, CHIP 4.3K 0.5% 1/10W (2125)
R360	1-216-666-11	s	METAL, CHIP 4.3K 0.5% 1/10W (2125)
R361	1-216-121-00	s	METAL, CHIP 1.0M 5% 1/10W (2125)
R362	1-216-121-00	s	METAL, CHIP 1.0M 5% 1/10W (2125)
R363	1-216-057-00	s	METAL, CHIP 2.2K 5% 1/10W (2125)
R364	1-216-057-00	s	METAL, CHIP 2.2K 5% 1/10W (2125)
R365	1-216-089-00	s	METAL, CHIP 47K 5% 1/10W (2125)
R366	1-216-041-00	s	METAL, CHIP 470 5% 1/10W (2125)
R367	1-216-081-00	s	METAL, CHIP 22K 5% 1/10W (2125)
R368	1-216-081-00	s	METAL, CHIP 22K 5% 1/10W (2125)
R369	1-216-089-00	s	METAL, CHIP 47K 5% 1/10W (2125)
R370	1-208-814-11	s	METAL, CHIP 22K 0.5% 1/10W (2125)
R371	1-216-049-00	s	METAL, CHIP 1.0K 5% 1/10W (2125)
R372	1-216-073-00	s	METAL, CHIP 10K 5% 1/10W (2125)
R373	1-208-814-11	s	METAL, CHIP 22K 0.5% 1/10W (2125)
R374	1-216-109-00	s	METAL, CHIP 330K 5% 1/10W (2125)
R375	1-216-109-00	s	METAL, CHIP 330K 5% 1/10W (2125)
R376	1-216-097-00	s	METAL, CHIP 100K 5% 1/10W (2125)
R377	1-216-073-00	s	METAL, CHIP 10K 5% 1/10W (2125)
R378	1-216-081-00	s	METAL, CHIP 22K 5% 1/10W (2125)
R379	1-216-081-00	s	METAL, CHIP 22K 5% 1/10W (2125)
R380	1-216-089-00	s	METAL, CHIP 47K 5% 1/10W (2125)
R381	1-216-025-00	s	METAL, CHIP 100 5% 1/10W (2125)
R382	1-216-025-00	s	METAL, CHIP 100 5% 1/10W (2125)
R383	1-216-089-00	s	METAL, CHIP 47K 5% 1/10W (2125)
R384	1-216-081-00	s	METAL, CHIP 22K 5% 1/10W (2125)
R385	1-208-814-11	s	METAL, CHIP 22K 0.5% 1/10W (2125)
R386	1-216-097-00	s	METAL, CHIP 100K 5% 1/10W (2125)

-----  
 \*1: Board No. suffix 11 only  
 \*4: Board No. suffix 12 or higher

(DR-200 BOARD LOT No. 302 through 911)

(DR-200 BOARD LOT No. 302 through 911)

Ref. No. or Q'ty	Part No.	SP	Description
R387-390	1-216-063-00	s	METAL, CHIP 3.9K 5% 1/10W (2125)
R391-401	1-216-025-00	s	METAL, CHIP 100 5% 1/10W (2125)
R402	1-216-089-00	s	METAL, CHIP 47K 5% 1/10W (2125)
R403	1-216-065-00	s	METAL, CHIP 4.7K 5% 1/10W (2125)
R404	1-216-646-11	s	METAL, CHIP 620 0.5% 1/10W (2125)
R405	1-216-065-00	s	METAL, CHIP 4.7K 5% 1/10W (2125)
R406	1-216-089-00	s	METAL, CHIP 47K 5% 1/10W (2125)
R407	1-216-690-11	s	METAL, CHIP 43K 0.5% 1/10W (2125)
R408	1-216-691-11	s	METAL, CHIP 47K 0.5% 1/10W (2125)
R409	1-216-055-00	s	METAL, CHIP 1.8K 5% 1/10W (2125)
R410	1-216-089-00	s	METAL, CHIP 47K 5% 1/10W (2125)
R411	1-216-089-00	s	METAL, CHIP 47K 5% 1/10W (2125)
R412	1-216-073-00	s	METAL, CHIP 10K 5% 1/10W (2125)
R413	1-216-075-00	s	METAL, CHIP 12K 5% 1/10W (2125)
R414	1-216-133-00	s	METAL, CHIP 3.3M 5% 1/10W (2125)
R415-417	1-216-073-00	s	METAL, CHIP 10K 5% 1/10W (2125)
R418	1-216-097-00	s	METAL, CHIP 100K 5% 1/10W (2125)
R419	1-216-069-00	s	METAL, CHIP 6.8K 5% 1/10W (2125)
R420	1-216-065-00	s	METAL, CHIP 4.7K 5% 1/10W (2125)
R421	*5 1-216-025-00	s	METAL, CHIP 100 5% 1/10W (2125)
	*6 1-216-025-00	s	METAL, CHIP 100 5% 1/10W (2125)
R421A	*7 1-215-397-11	s	METAL 100 1% 1/4W
R422	1-216-097-00	s	METAL, CHIP 100K 5% 1/10W (2125)
R423	1-216-663-11	s	METAL, CHIP 3.3K 0.5% 1/10W
R424	1-216-073-00	s	METAL, CHIP 10K 5% 1/10W (2125)
R425	1-216-629-11	s	METAL, CHIP 120 0.5% 1/10W
R426	1-216-651-11	s	METAL, CHIP 1.0K 0.5% 1/10W
R427	1-216-025-00	s	METAL, CHIP 100 5% 1/10W (2125)
R428	1-216-049-00	s	METAL, CHIP 1.0K 5% 1/10W (2125)
R429	1-216-089-00	s	METAL, CHIP 47K 5% 1/10W (2125)
R430	1-216-053-00	s	METAL, CHIP 1.5K 5% 1/10W (2125)
R431	1-216-073-00	s	METAL, CHIP 10K 5% 1/10W (2125)
R432	*5 1-216-121-00	s	METAL, CHIP 1.0M 5% 1/10W (2125)
R432A	*3 1-247-903-00	s	CARBON 1.0M 5% 1/4W
R433	*4 1-216-097-00	s	METAL, CHIP 100K 5% 1/10W (2125)
	*1 1-249-441-11	s	CARBON 100K 5% 1/4W
R500	1-216-059-00	s	METAL, CHIP 2.7K 5% 1/10W (2125)
R501	1-216-089-00	s	METAL, CHIP 47K 5% 1/10W (2125)
R502-504	1-216-666-11	s	METAL, CHIP 4.3K 0.5% 1/10W
R505	1-216-107-00	s	METAL, CHIP 270K 5% 1/10W (2125)
R506	1-216-089-00	s	METAL, CHIP 47K 5% 1/10W (2125)
R507	1-216-089-00	s	METAL, CHIP 47K 5% 1/10W (2125)
R508	1-216-065-00	s	METAL, CHIP 4.7K 5% 1/10W (2125)
R509	1-216-065-00	s	METAL, CHIP 4.7K 5% 1/10W (2125)
R510	1-216-666-11	s	METAL, CHIP 4.3K 0.5% 1/10W
R511	1-216-089-00	s	METAL, CHIP 47K 5% 1/10W (2125)
R512	1-216-081-00	s	METAL, CHIP 22K 5% 1/10W (2125)
R513	1-216-045-00	s	METAL, CHIP 680 5% 1/10W (2125)
R514	1-216-065-00	s	METAL, CHIP 4.7K 5% 1/10W (2125)
R515	1-216-059-00	s	METAL, CHIP 2.7K 5% 1/10W (2125)
R516	1-216-089-00	s	METAL, CHIP 47K 5% 1/10W (2125)
R517-519	1-216-666-11	s	METAL, CHIP 4.3K 0.5% 1/10W
R520	1-216-107-00	s	METAL, CHIP 270K 5% 1/10W (2125)
R521	1-216-089-00	s	METAL, CHIP 47K 5% 1/10W (2125)
R522	1-216-089-00	s	METAL, CHIP 47K 5% 1/10W (2125)
R523	1-216-065-00	s	METAL, CHIP 4.7K 5% 1/10W (2125)

Ref. No. or Q'ty	Part No.	SP	Description
R524	1-216-065-00	s	METAL, CHIP 4.7K 5% 1/10W (2125)
R525	1-216-666-11	s	METAL, CHIP 4.3K 0.5% 1/10W (2125)
R526	1-216-089-00	s	METAL, CHIP 47K 5% 1/10W (2125)
R527	1-216-081-00	s	METAL, CHIP 22K 5% 1/10W (2125)
R528	1-216-045-00	s	METAL, CHIP 680 5% 1/10W (2125)
R529	1-216-065-00	s	METAL, CHIP 4.7K 5% 1/10W (2125)
R530	1-216-089-00	s	METAL, CHIP 47K 5% 1/10W (2125)
R531	1-216-089-00	s	METAL, CHIP 47K 5% 1/10W (2125)
R532	1-216-666-11	s	METAL, CHIP 4.3K 0.5% 1/10W (2125)
R533	1-216-077-00	s	METAL, CHIP 15K 5% 1/10W (2125)
R534	1-216-666-11	s	METAL, CHIP 4.3K 0.5% 1/10W (2125)
R535	1-216-113-00	s	METAL, CHIP 470K 5% 1/10W (2125)
R536	1-216-089-00	s	METAL, CHIP 47K 5% 1/10W (2125)
R537	1-216-089-00	s	METAL, CHIP 47K 5% 1/10W (2125)
R538	1-216-065-00	s	METAL, CHIP 4.7K 5% 1/10W (2125)
R539	1-216-065-00	s	METAL, CHIP 4.7K 5% 1/10W (2125)
R540	1-216-666-11	s	METAL, CHIP 4.3K 0.5% 1/10W (2125)
R541	1-216-089-00	s	METAL, CHIP 47K 5% 1/10W (2125)
R542	1-216-081-00	s	METAL, CHIP 22K 5% 1/10W (2125)
R543	1-216-045-00	s	METAL, CHIP 680 5% 1/10W (2125)
R544	1-216-065-00	s	METAL, CHIP 4.7K 5% 1/10W (2125)
R545	1-217-611-00	s	METAL 0.1 10% 2W
R546-548	1-216-073-00	s	METAL, CHIP 10K 5% 1/10W (2125)
R549	1-216-001-00	s	METAL, CHIP 10 5% 1/10W (2125)
R550	1-216-295-00	s	METAL, CHIP 0 (2125)
R551	1-216-073-00	s	METAL, CHIP 10K 5% 1/10W (2125)
R552	1-216-001-00	s	METAL, CHIP 10 5% 1/10W (2125)
R553	1-216-666-11	s	METAL, CHIP 4.3K 0.5% 1/10W (2125)
R554	1-216-073-00	s	METAL, CHIP 10K 5% 1/10W (2125)
R555	1-216-666-11	s	METAL, CHIP 4.3K 0.5% 1/10W (2125)
R556	*4 1-216-117-00	s	METAL, CHIP 680K 5% 1/10W (2125)
	*1 1-247-899-11	s	CARBON 680K 5% 1/4W
R600	*1 1-208-823-11	s	METAL, CHIP 51K 0.5% 1/10W (2125)
R601	*1 1-208-823-11	s	METAL, CHIP 51K 0.5% 1/10W (2125)
R602	*1 1-208-823-11	s	METAL, CHIP 51K 0.5% 1/10W (2125)
R603	*1 1-216-675-11	s	METAL, CHIP 10K 0.5% 1/10W (2125)
R604	*1 1-208-823-11	s	METAL, CHIP 51K 0.5% 1/10W (2125)
R605	*1 1-208-806-11	s	METAL, CHIP 27K 0.5% 1/10W (2125)
R606	*1 1-208-823-11	s	METAL, CHIP 51K 0.5% 1/10W (2125)
R607	*1 1-216-675-11	s	METAL, CHIP 10K 0.5% 1/10W (2125)
R608	*1 1-208-823-11	s	METAL, CHIP 51K 0.5% 1/10W (2125)
R609	*1 1-216-689-11	s	METAL, CHIP 39K 0.5% 1/10W (2125)
R700-702	1-216-065-00	s	METAL, CHIP 4.7K 5% 1/10W (2125)
R703	1-216-073-00	s	METAL, CHIP 10K 5% 1/10W (2125)
R705	1-216-667-11	s	METAL, CHIP 4.7K 0.5% 1/10W (2125)
R706	1-216-677-11	s	METAL, CHIP 12K 0.5% 1/10W (2125)
R707	1-216-065-00	s	METAL, CHIP 4.7K 5% 1/10W (2125)
R708	1-216-065-00	s	METAL, CHIP 4.7K 5% 1/10W (2125)
R709	*4 1-216-073-00	s	METAL, CHIP 10K 5% 1/10W (2125)
	*1 1-249-429-11	s	CARBON 10K 5% 1/4W
R710	*4 1-216-073-00	s	METAL, CHIP 10K 5% 1/10W (2125)
	*1 1-249-429-11	s	CARBON 10K 5% 1/4W
R711	*4 1-216-049-00	s	METAL, CHIP 1.0K 5% 1/10W (2125)
	*1 1-249-417-11	s	CARBON 1.0K 5% 1/4W

-----  
 \*1: Board No. suffix 11 only  
 \*3: Board No. suffix 11 or 12  
 \*4: Board No. suffix 12 or higher

-----  
 \*5: Board No. suffix 13 or higher  
 \*6: LOT No. 302 through 309  
 \*7: LOT No. 310 or higher

(DR-200 BOARD LOT No. 302 through 911)

Ref. No. or Q'ty	Part No.	SP	Description
R712	*4 1-216-049-00	s	METAL, CHIP 1.0K 5% 1/10W (2125)
	*1 1-249-417-11	s	CARBON 1.0K 5% 1/4W
R800-807			
	*4 1-216-017-00	s	METAL, CHIP 47 5% 1/10W (2125)
	*1 1-249-401-11	s	CARBON 47 5% 1/4W
R808	△ 1-212-873-11	s	RES, FUSIBLE 47 5% 1/4W
R902	*5 1-218-236-11	s	METAL, CHIP 1 10% 1/4W (3225)
R912	*5 1-216-295-00	s	METAL, CHIP 0 (2125)
R913	*5 1-216-049-00	s	METAL, CHIP 1.0K 5% 1/10W (2125)
R914	*5 1-216-113-00	s	METAL, CHIP 470K 5% 1/10W (2125)
R915	*5 1-216-073-00	s	METAL, CHIP 10K 5% 1/10W (2125)
R916	*5 1-216-073-00	s	METAL, CHIP 10K 5% 1/10W (2125)
R918	*5 1-216-073-00	s	METAL, CHIP 10K 5% 1/10W (2125)
R921	*5 1-216-049-00	s	METAL, CHIP 1.0K 5% 1/10W (2125)
R922	*5 1-216-049-00	s	METAL, CHIP 1.0K 5% 1/10W (2125)
R923	*5 1-216-025-00	s	METAL, CHIP 100 5% 1/10W (2125)
R924	*5 1-216-037-00	s	METAL, CHIP 330 5% 1/10W (2125)
R925	*5 1-216-037-00	s	METAL, CHIP 330 5% 1/10W (2125)
R928	*5 1-216-355-11	s	METAL 3.3 5% 1W
R929	*5 1-216-355-11	s	METAL 3.3 5% 1W
R930	*5 1-215-905-11	s	METAL 10 5% 3W
R931	*5 1-216-033-00	s	METAL, CHIP 220 5% 1/10W (2125)
R932	*5 1-216-033-00	s	METAL, CHIP 220 5% 1/10W (2125)
R933	*5 1-216-097-00	s	METAL, CHIP 100K 5% 1/10W (2125)
R934	*5 1-216-097-00	s	METAL, CHIP 100K 5% 1/10W (2125)
R935	*5 1-216-025-00	s	METAL, CHIP 100 5% 1/10W (2125)
R936	*5 1-216-049-00	s	METAL, CHIP 1.0K 5% 1/10W (2125)
R937	*5 1-216-097-00	s	METAL, CHIP 100K 5% 1/10W (2125)
R938	*5 1-216-025-00	s	METAL, CHIP 100 5% 1/10W (2125)
R939	*5 1-216-049-00	s	METAL, CHIP 1.0K 5% 1/10W (2125)
R940	*5 1-216-049-00	s	METAL, CHIP 1.0K 5% 1/10W (2125)
R941	*5 1-216-049-00	s	METAL, CHIP 1.0K 5% 1/10W (2125)
R942	*5 1-216-049-00	s	METAL, CHIP 1.0K 5% 1/10W (2125)
R948	*5 1-216-113-00	s	METAL, CHIP 470K 5% 1/10W (2125)
R952-957			
	*5 1-216-097-00	s	METAL, CHIP 100K 5% 1/10W (2125)
R962	*5 1-216-105-11	s	METAL, CHIP 220K 5% 1/10W (2125)
RV911	*5 1-237-039-11	s	RES, ADJ, CERMET 100K
X100	1-579-928-11	s	RESONATOR, CERAMIC 2.27 MHz

DT-34/34B BOARD

Ref. No. or Q'ty	Part No.	SP	Description
1pc	A-8275-068-A	o	MOUNTED CIRCUIT BOARD, DT-34P (For Europa model)
	A-8275-166-A	o	MOUNTED CIRCUIT BOARD, DT-34 (For USA and Canada models)
2pcs	1-533-217-31	s	HOLDER, FUSE
1pc	3-180-762-02	o	COVER (A), DT SHIELD
1pc	3-180-763-02	o	COVER (B), DT SHIELD
1pc	7-685-871-01	s	SCREW +BVTT 3x6 (S)
C1	1-163-809-11	s	CERAMIC, CHIP 0.047uF 10% 25V (2125)
C2-6	1-126-935-11	s	ELECT 470uF 20% 16V
C7	1-164-232-11	s	CERAMIC, CHIP 0.01uF 10% 100V (2125)
C8	1-124-903-11	s	ELECT 1.0uF 20% 50V
C9-14	1-128-180-11	s	ELECT 1.0uF 20% 400V
C15,16	1-130-491-00	s	MYLAR 0.047uF 5% 50V
C17	1-163-017-00	s	CERAMIC, CHIP 4700pF 10% 50V (2125)
C18	1-163-251-11	s	CERAMIC, CHIP 100pF 5% 50V (2125)
C19	1-124-667-11	s	ELECT 10uF 20% 100V
C20	1-163-251-11	s	CERAMIC, CHIP 100pF 5% 50V (2125)
C21	1-124-667-11	s	ELECT 10uF 20% 100V
C22-24	1-163-017-00	s	CERAMIC, CHIP 4700pF 10% 50V (2125)
C25-30	1-164-232-11	s	CERAMIC, CHIP 0.01uF 10% 100V (2125)
C31,32	1-126-933-11	s	ELECT 100uF 20% 16V
C33,34	1-124-667-11	s	ELECT 10uF 20% 100V
C35	1-126-933-11	s	ELECT 100uF 20% 16V
C36-38	1-164-232-11	s	CERAMIC, CHIP 0.01uF 10% 100V (2125)
CN390	1-564-009-11	s	CONNECTOR, 10P, MALE
CN391	1-506-472-11	s	CONNECTOR, 7P, MALE
D2-5	8-719-300-33	s	DIODE RU-3AM
D6	8-719-404-35	s	DIODE MA141WK
D7,8	8-719-941-23	s	DIODE DA204U
D9,11	8-719-024-81	s	DIODE 1SS300
D12,13	8-719-941-23	s	DIODE DA204U
D14	8-719-024-81	s	DIODE 1SS300
F1	△ 1-532-078-00	s	FUSE, TIME-LAG 1A 250V (For Europa model)
	△ 1-532-822-11	s	FUSE 1A 250V (For USA and Canada models)
IC1-4	8-759-908-17	s	IC TL082CPS
IC5	8-759-981-65	s	IC LM2903M
IC6	8-759-929-26	s	IC TL431CPS
L1,2	1-412-533-21	s	INDUCTOR 47uH
L3-6	1-408-247-00	s	INDUCTOR 33mH
L7-9	1-412-533-21	s	INDUCTOR 47uH
Q1,2	8-729-105-19	s	TRANSISTOR 2SC3518-L
Q3	8-729-105-97	s	TRANSISTOR 2SA1156-2K
Q4,5	8-729-141-78	s	TRANSISTOR 2SC3632-K
Q6	8-729-209-07	s	TRANSISTOR 2SC4213-B
Q7	8-729-140-63	s	TRANSISTOR 2SA1611-M5M6
Q8	8-729-118-44	s	TRANSISTOR 2SA1413-K
Q9	8-729-105-97	s	TRANSISTOR 2SA1156-2K
Q10,11	8-729-141-78	s	TRANSISTOR 2SC3632-K
Q12	8-729-209-07	s	TRANSISTOR 2SC4213-B
Q13	8-729-140-63	s	TRANSISTOR 2SA1611-M5M6

\*1: Board No. suffix 11 only  
\*4: Board No. suffix 12 or higher  
\*5: Board No. suffix 13 or higher

(DT-34/34B BOARD)

Ref. No. or Q'ty	Part No.	SP Description
Q14	8-729-118-44	s TRANSISTOR 2SA1413-K
Q15	8-729-106-68	s TRANSISTOR 2SC1615A-GP
Q16	8-729-905-18	s TRANSISTOR DTC144EU
R1,3	1-216-298-00	s METAL, CHIP 2.2 5% 1/10W (2125)
R4	1-216-049-00	s METAL, CHIP 1.0K 5% 1/10W (2125)
R5	1-216-089-00	s METAL, CHIP 47K 5% 1/10W (2125)
R6	1-216-065-00	s METAL, CHIP 4.7K 5% 1/10W (2125)
R7	1-216-073-00	s METAL, CHIP 10K 5% 1/10W (2125)
R8	1-214-929-00	s METAL 470K 1% 1/2W
R9,10	1-216-065-00	s METAL, CHIP 4.7K 5% 1/10W (2125)
R11	1-216-073-00	s METAL, CHIP 10K 5% 1/10W (2125)
R12	1-214-924-00	s METAL 300K 1% 1/2W
R13	1-216-081-00	s METAL, CHIP 22K 5% 1/10W (2125)
R14,15	1-220-333-11	s METAL, CHIP 120K 5% 1/2W (4532)
R16,17	1-216-013-00	s METAL, CHIP 33 5% 1/10W (2125)
R18	1-220-295-11	s METAL, CHIP 1.8K 5% 1/2W (4532)
R19,20	1-218-776-11	s METAL, CHIP 1.0M 0.5% 1/10W
R21	1-216-697-11	s METAL, CHIP 82K 0.5% 1/10W
R22	1-216-073-00	s METAL, CHIP 10K 5% 1/10W (2125)
R23,24	1-216-675-11	s METAL, CHIP 10K 0.5% 1/10W (2125)
R27	1-216-073-00	s METAL, CHIP 10K 5% 1/10W (2125)
R28,29	1-220-333-11	s METAL, CHIP 120K 5% 1/2W (4532)
R30	1-216-013-00	s METAL, CHIP 33 5% 1/10W (2125)
R31,32	1-218-776-11	s METAL, CHIP 1.0M 0.5% 1/10W
R33	1-220-295-11	s METAL, CHIP 1.8K 5% 1/2W (4532)
R34	1-216-697-11	s METAL, CHIP 82K 0.5% 1/10W (2125)
R35	1-216-089-00	s METAL, CHIP 47K 5% 1/10W (2125)
R36	1-216-065-00	s METAL, CHIP 4.7K 5% 1/10W (2125)
R37	1-216-073-00	s METAL, CHIP 10K 5% 1/10W (2125)
R38	1-214-929-00	s METAL 470K 1% 1/2W
R39,40	1-216-065-00	s METAL, CHIP 4.7K 5% 1/10W (2125)
R41	1-216-073-00	s METAL, CHIP 10K 5% 1/10W (2125)
R42	1-216-081-00	s METAL, CHIP 22K 5% 1/10W (2125)
R43	1-214-924-00	s METAL 300K 1% 1/2W
R44	1-216-013-00	s METAL, CHIP 33 5% 1/10W (2125)
R45	1-218-776-11	s METAL, CHIP 1.0M 0.5% 1/10W
R46	1-216-107-00	s METAL, CHIP 270K 5% 1/10W (2125)
R47	1-216-073-00	s METAL, CHIP 10K 5% 1/10W (2125)
R48	1-218-776-11	s METAL, CHIP 1.0M 0.5% 1/10W
R49	1-216-107-00	s METAL, CHIP 270K 5% 1/10W (2125)
R50	1-216-073-00	s METAL, CHIP 10K 5% 1/10W (2125)
R52	1-216-694-11	s METAL, CHIP 62K 0.5% 1/10W
R53	1-208-817-11	s METAL, CHIP 30K 0.5% 1/10W
R54	1-216-049-00	s METAL, CHIP 1.0K 5% 1/10W (2125)
R60	1-216-298-00	s METAL, CHIP 2.2 5% 1/10W (2125)
R61	*3 1-216-295-00	s METAL, CHIP 0
	*2 1-216-298-00	s METAL, CHIP 2.2 5% 1/10W (2125)
	*1 1-249-381-11	s CARBON 1.0 5% 1/4W
R62	*3 1-216-295-00	s METAL, CHIP 0
	*2 1-216-298-00	s METAL, CHIP 2.2 5% 1/10W (2125)
	*1 1-249-381-11	s CARBON 1.0 5% 1/4W
R63	1-216-298-00	s METAL, CHIP 2.2 5% 1/10W (2125)
R64	*2 1-216-298-00	s METAL, CHIP 2.2 5% 1/10W (2125)
R65	*2 1-216-298-00	s METAL, CHIP 2.2 5% 1/10W (2125)

(DT-34/34B BOARD)

Ref. No. or Q'ty	Part No.	SP Description
RY1	1-515-762-11	s RELAY ATQ203
T1	1-448-937-11	s TRANSFORMER, CONVERTER
-----		
DUS-194 BOARD		
-----		
Ref. No. or Q'ty	Part No.	SP Description
Q540	8-729-901-01	s TRANSISTOR DTC144EK
-----		
DUS-679 BOARD		
-----		
Ref. No. or Q'ty	Part No.	SP Description
C1	1-163-037-11	s CERAMIC, CHIP 0.022uF 10% 25V (2125)
C2	1-163-037-11	s CERAMIC, CHIP 0.022uF 10% 25V (2125)
IC1	8-759-925-74	s IC SN74HC04ANS
IC2	8-759-925-85	s IC SN74HC32ANS
IC3	8-759-925-90	s IC SN74HC74ANS
IC4	8-759-925-90	s IC SN74HC74ANS
IC5	8-759-925-90	s IC SN74HC74ANS
IC6	8-759-672-91	s IC MM74HC163SJX

\*1: LOT No. 302 through 306  
 \*2: LOT No. 307 through 706  
 \*3: LOT No. 707 or higher

-----  
 DUS-680 BOARD  
 -----

Ref. No. or Q'ty	Part No.	SP Description
C1	1-164-156-11	s CERAMIC, CHIP 0.1uF 25V (1608)
C2	1-164-156-11	s CERAMIC, CHIP 0.1uF 25V (1608)
C3	1-162-915-11	s CERAMIC, CHIP 10pF 50V (1608)
C4	1-164-156-11	s CERAMIC, CHIP 0.1uF 25V (1608)
C5	1-164-156-11	s CERAMIC, CHIP 0.1uF 25V (1608)
Q1	8-729-143-14	s TRANSISTOR 2SC4176-B35
Q2	8-729-143-14	s TRANSISTOR 2SC4176-B35
R1	1-218-700-11	s METAL, CHIP 2.2K 0.5% 1/16W (1608)
R2	1-218-668-11	s METAL, CHIP 100 0.5% 1/16W (1608)
R3	1-218-676-11	s METAL, CHIP 220 0.5% 1/16W (1608)
R4	1-218-675-11	s METAL, CHIP 200 0.5% 1/16W (1608)
R5	1-216-817-11	s METAL, CHIP 470 5% 1/16W (1608)
R6	1-218-661-11	s METAL, CHIP 51 0.5% 1/16W (1608)
R7	1-216-817-11	s METAL, CHIP 470 5% 1/16W (1608)
RV1	1-237-032-11	s RES, ADJ, CERMET 500
TP1	1-535-877-22	o CHIP, CHECKER

-----  
 DUS-682 BOARD  
 -----

Ref. No. or Q'ty	Part No.	SP Description
C1	1-135-145-11	s TANTALUM, CHIP 0.47uF 10% 35V
Q1	8-729-209-07	s TRANSISTOR 2SC4213-B
R1	1-208-814-11	s METAL, CHIP 22K 0.5% 1/10W (2125)
R2	1-208-767-11	s METAL, CHIP 240 0.5% 1/10W (2125)

-----  
 DUS-687 BOARD  
 -----

Ref. No. or Q'ty	Part No.	SP Description
C1	1-164-004-11	s CERAMIC, CHIP 0.1uF 10% 25V (2125)
C2	1-163-019-00	s CERAMIC, CHIP 6800pF 10% 50V (2125)
C3	1-163-037-11	s CERAMIC, CHIP 0.022uF 10% 25V (2125)
C4	1-163-037-11	s CERAMIC, CHIP 0.022uF 10% 25V (2125)
C5	1-163-251-11	s CERAMIC, CHIP 100pF 5% 50V (2125)
C6	1-163-037-11	s CERAMIC, CHIP 0.022uF 10% 25V (2125)
C7	1-163-037-11	s CERAMIC, CHIP 0.022uF 10% 25V (2125)
C8	1-163-037-11	s CERAMIC, CHIP 0.022uF 10% 25V (2125)
C9	1-164-156-11	s CERAMIC, CHIP 0.1uF 25V (1608)
D1	8-719-983-74	s DIODE SB01-05CP
D2	8-719-983-74	s DIODE SB01-05CP
D3	8-719-983-74	s DIODE SB01-05CP
IC1	8-759-908-17	s IC TL082CPS
IC2	8-759-300-71	s IC HD14053BFP
IC3	8-759-908-17	s IC TL082CPS
IC4	8-759-174-16	s IC TC74VHC244F
R1	1-216-049-00	s METAL, CHIP 1.0K 5% 1/10W (2125)
R2	1-216-073-00	s METAL, CHIP 10K 5% 1/10W (2125)
R3	1-216-025-00	s METAL, CHIP 100 5% 1/10W (2125)
R4	1-216-093-00	s METAL, CHIP 68K 5% 1/10W (2125)
R5	1-216-689-11	s METAL, CHIP 39K 0.5% 1/10W (2125)
R6	1-216-295-00	s METAL, CHIP 0 (2125)
R7	1-216-295-00	s METAL, CHIP 0 (2125)

-----  
 DUS-690 BOARD  
 -----

Ref. No. or Q'ty	Part No.	SP Description
C1	1-164-232-11	s CERAMIC, CHIP 0.01uF 10% 100V (2125)
C2	1-163-235-11	s CERAMIC, CHIP 22pF 5% 50V (2125)
R1	1-218-760-11	s METAL, CHIP 220K 0.5% 1/10W (2125)
R2	1-208-774-11	s METAL, CHIP 470 0.5% 1/10W (2125)

-----  
 DUS-691 BOARD  
 -----

Ref. No.  
 or Q'ty Part No. SP Description

IC1 8-759-234-77 s IC TC4S66F  
 R1 1-216-049-00 s METAL, CHIP 1.0K 5% 1/10W (2125)  
 R2 1-216-073-00 s METAL, CHIP 10K 5% 1/10W (2125)  
 R3 1-216-061-00 s METAL, CHIP 3.3K 5% 1/10W (2125)  
 R4 1-216-121-00 s METAL, CHIP 1.0M 5% 1/10W (2125)  
 R5 1-216-073-00 s METAL, CHIP 10K 5% 1/10W (2125)  
 R6 1-216-121-00 s METAL, CHIP 1.0M 5% 1/10W (2125)  
 R7 1-216-061-00 s METAL, CHIP 3.3K 5% 1/10W (2125)

-----  
 DUS-694 BOARD  
 -----

Ref. No.  
 or Q'ty Part No. SP Description

C1 1-163-275-11 s CERAMIC, CHIP 0.001uF 5% 50V  
 C2 1-163-275-11 s CERAMIC, CHIP 0.001uF 5% 50V  
 C3 1-163-017-00 s CERAMIC, CHIP 4700pF 10% 50V  
 C4 1-163-037-11 s CERAMIC, CHIP 0.022uF 10% 25V  
 C5 1-163-037-11 s CERAMIC, CHIP 0.022uF 10% 25V  
 C6 1-163-037-11 s CERAMIC, CHIP 0.022uF 10% 25V  
 D1 8-719-123-82 s DIODE 1SS303  
 IC1 8-759-925-74 s IC SN74HC04ANS  
 IC2 8-759-300-71 s IC HD14053BFP  
 IC3 8-759-009-51 s IC MC14538BF  
 R1 1-216-105-00 s METAL, CHIP 220K 5% 1/10W (2125)  
 R2 1-216-105-00 s METAL, CHIP 220K 5% 1/10W (2125)  
 R3 1-216-085-00 s METAL, CHIP 33K 5% 1/10W (2125)

-----  
 DUS-700 BOARD  
 -----

Ref. No.  
 or Q'ty Part No. SP Description

IC1 8-759-035-93 s IC SC7S32F  
 R2 1-216-049-00 s METAL, CHIP 1.0K 5% 1/10W (2125)  
 R3 1-216-689-11 s METAL, CHIP 39K 0.5% 1/10W (2125)  
 R4 1-216-049-00 s METAL, CHIP 1.0K 5% 1/10W (2125)  
 R5 1-216-121-00 s METAL, CHIP 1.0M 5% 1/10W (2125)  
 R6 1-216-677-11 s METAL, CHIP 12K 0.5% 1/10W (2125)  
 R7 1-216-121-00 s METAL, CHIP 1.0M 5% 1/10W (2125)

-----  
 DUS-706 BOARD  
 -----

Ref. No.  
 or Q'ty Part No. SP Description

C701 1-163-033-00 s CERAMIC, CHIP 0.022uF 50V (2125)  
 C703 1-163-033-00 s CERAMIC, CHIP 0.022uF 50V (2125)  
 C704 1-163-033-00 s CERAMIC, CHIP 0.022uF 50V (2125)  
 IC701 8-759-925-90 s IC SN74HC74ANS  
 IC703 8-759-987-82 s IC 74AC00SJ  
 IC704 8-759-925-90 s IC SN74HC74ANS

-----  
 DUS-708 BOARD  
 -----

Ref. No.  
 or Q'ty Part No. SP Description

C705 1-163-033-00 s CERAMIC, CHIP 0.022uF 50V (2125)  
 C706 1-163-033-00 s CERAMIC, CHIP 0.022uF 50V (2125)  
 C707 1-163-033-00 s CERAMIC, CHIP 0.022uF 50V (2125)  
 IC705 8-759-145-77 s IC UPD42102G-3  
 IC706 8-759-925-90 s IC SN74HC74ANS  
 IC707 8-759-673-36 s IC MM74HC00SJX



-----  
 DUS-709 BOARD  
 -----

Ref. No. or Q'ty	Part No.	SP Description
C1	1-162-927-11	s CERAMIC, CHIP 100pF 5% 50V (1608)
C2	1-162-927-11	s CERAMIC, CHIP 100pF 5% 50V (1608)
Q1	8-729-143-07	s TRANSISTOR 2SA1610-Y33
Q2	8-729-143-07	s TRANSISTOR 2SA1610-Y33
R1	1-218-866-11	s METAL, CHIP 6.2K 0.5% 1/16W (1608)
R2	1-218-881-11	s METAL, CHIP 27K 0.5% 1/16W (1608)
R3	1-218-688-11	s METAL, CHIP 680 0.5% 1/16W (1608)
R4	1-218-881-11	s METAL, CHIP 27K 0.5% 1/16W (1608)
R5	1-218-881-11	s METAL, CHIP 27K 0.5% 1/16W (1608)
R6	1-218-688-11	s METAL, CHIP 680 0.5% 1/16W (1608)
R7	1-218-866-11	s METAL, CHIP 6.2K 0.5% 1/16W (1608)
R8	1-218-881-11	s METAL, CHIP 27K 0.5% 1/16W (1608)

-----  
 DUS-710 BOARD for DM-89 board  
 -----

Ref. No. or Q'ty	Part No.	SP Description
C1	1-163-037-11	s CERAMIC, CHIP 0.022uF 10% 25V
C2	1-163-037-11	s CERAMIC, CHIP 0.022uF 10% 25V
IC1	8-759-908-17	s IC TL082CPS
R1	1-216-699-11	s METAL, CHIP 100K 0.5% 1/10W
R2	1-216-699-11	s METAL, CHIP 100K 0.5% 1/10W

-----  
 DUS-710 BOARD for VPR-1/1B board  
 -----

Ref. No. or Q'ty	Part No.	SP Description
C1	1-163-037-11	s CERAMIC, CHIP 0.022uF 10% 25V
C2	1-216-295-00	s RES, METAL, CHIP 0 (2125)
IC1	8-759-030-27	s IC MC34182M
R1	1-216-663-11	s METAL, CHIP 3.3K 0.5% 1/10W
R2	1-216-663-11	s METAL, CHIP 3.3K 0.5% 1/10W

-----  
 DUS-711 BOARD  
 -----

Ref. No. or Q'ty	Part No.	SP Description
C1	1-163-038-00	s CERAMIC, CHIP 0.1uF 25V (2125)
IC1	8-759-673-36	s IC MM74HC00SJX
Q1-8	8-729-202-38	s TRANSISTOR 2SC3326N
R1	1-208-814-11	s METAL, CHIP 22K 0.5% 1/10W (2125)
R2	1-216-678-11	s METAL, CHIP 13K 0.5% 1/10W (2125)
R4	1-208-814-11	s METAL, CHIP 22K 0.5% 1/10W (2125)
R5	1-216-671-11	s METAL, CHIP 6.8K 0.5% 1/10W (2125)
R6	1-208-785-11	s METAL, CHIP 1.3K 0.5% 1/10W (2125)
R7	1-208-814-11	s METAL, CHIP 22K 0.5% 1/10W (2125)
R8	1-216-676-11	s METAL, CHIP 11K 0.5% 1/10W (2125)
R10	1-208-814-11	s METAL, CHIP 22K 0.5% 1/10W (2125)
R11	1-216-671-11	s METAL, CHIP 6.8K 0.5% 1/10W (2125)
R12	1-216-656-11	s METAL, CHIP 1.6K 0.5% 1/10W (2125)
R13	1-216-683-11	s METAL, CHIP 22K 0.5% 1/10W (2125)
R14	1-216-678-11	s METAL, CHIP 13K 0.5% 1/10W (2125)
R16	1-208-814-11	s METAL, CHIP 22K 0.5% 1/10W (2125)
R17	1-216-671-11	s METAL, CHIP 6.8K 0.5% 1/10W (2125)
R18	1-208-785-11	s METAL, CHIP 1.3K 0.5% 1/10W (2125)
R19	1-208-814-11	s METAL, CHIP 22K 0.5% 1/10W (2125)
R20	1-216-676-11	s METAL, CHIP 11K 0.5% 1/10W (2125)
R22	1-208-814-11	s METAL, CHIP 22K 0.5% 1/10W (2125)
R23	1-216-671-11	s METAL, CHIP 6.8K 0.5% 1/10W (2125)
R24	1-216-656-11	s METAL, CHIP 1.6K 0.5% 1/10W (2125)
R25	1-216-691-11	s METAL, CHIP 47K 0.5% 1/10W (2125)
R26	1-216-691-11	s METAL, CHIP 47K 0.5% 1/10W (2125)

-----  
 DUS-712 BOARD  
 -----

Ref. No. or Q'ty	Part No.	SP Description
C716	1-163-033-00	s CERAMIC, CHIP 0.022uF 50V (2125)
C717	1-135-157-21	s TANTALUM, CHIP 10uF 10% 6.3V
D701	8-719-800-76	s DIODE 1SS226
IC716	8-759-239-55	s IC TC74HC123AF
R702	1-216-105-00	s METAL, CHIP 220K 5% 1/10W (2125)

-----  
 DUS-723 BOARD  
 -----

Ref. No. or Q'ty	Part No.	SP Description
C1	1-163-235-11	s CERAMIC, CHIP 22pF 5% 50V (2125)
C2	1-126-160-11	s ELECT 1.0uF 20% 50V
IC1	8-759-106-02	s IC UPC4570G2
IC2	8-759-988-97	s IC DBX2155
R1	1-216-670-11	s METAL, CHIP 6.2K 0.5% 1/10W
R2	1-216-643-11	s METAL, CHIP 470 0.5% 1/10W (2125)
R3	1-216-651-11	s METAL, CHIP 1.0K 0.5% 1/10W
R4	1-208-785-11	s METAL, CHIP 1.3K 0.5% 1/10W
R5	1-216-025-00	s METAL, CHIP 100 5% 1/10W (2125)
R6	1-216-682-11	s METAL, CHIP 20K 0.5% 1/10W
R7	1-208-789-11	s METAL, CHIP 2.0K 0.5% 1/10W
R8	1-208-799-11	s METAL, CHIP 5.1K 0.5% 1/10W
R9	1-216-019-00	s METAL, CHIP 56 5% 1/10W (2125)
R10	1-216-101-00	s METAL, CHIP 150K 5% 1/10W (2125)
R11	1-216-687-11	s METAL, CHIP 33K 0.5% 1/10W
R12	1-216-687-11	s METAL, CHIP 33K 0.5% 1/10W
R13	1-216-682-11	s METAL, CHIP 20K 0.5% 1/10W (2125)
RV1	1-237-033-11	s RES, ADJ, CERMET 1K
TH1	1-810-106-11	s THERMISTOR, POSIITIVE, CHIP

-----  
 DUS-724 BOARD  
 -----

Ref. No. or Q'ty	Part No.	SP Description
C1	1-135-210-11	s TANTALUM, CHIP 4.7uF 20% 10V
C2	1-163-037-11	s CERAMIC, CHIP 0.022uF 10% 25V
D1	8-719-941-23	s DIODE DA204U
IC1	8-759-031-84	s IC SC7S04F
IC2	8-759-038-46	s IC SC7S00F
IC3	8-759-234-77	s IC TC4S66F
R1	1-216-113-00	s METAL, CHIP 470K 5% 1/10W (2125)
R2	1-208-784-11	s METAL, CHIP 1.2K 0.5% 1/10W

-----  
 DUS-727 BOARD  
 -----

Ref. No. or Q'ty	Part No.	SP Description
C302	1-163-037-11	s CERAMIC, CHIP 0.022uF 10% 25V (2125)
C362	1-163-263-11	s CERAMIC, CHIP 330pF 5% 50V (2125)
IC304	8-759-234-20	s IC TC7S08F
R305	1-216-049-00	s METAL, CHIP 1.0K 5% 1/10W (2125)
R308	1-208-814-11	s METAL, CHIP 22K 0.5% 1/10W (2125)

-----  
 DUS-728 BOARD  
 -----

Ref. No. or Q'ty	Part No.	SP Description
C1	1-163-037-11	s CERAMIC, CHIP 0.022uF 10% 25V (2125)
IC1	8-759-926-29	s IC SN74HC175ANS

-----  
 DUS-741 BOARD  
 -----

Ref. No. or Q'ty	Part No.	SP Description
Q406	8-729-902-99	s TRANSISTOR DTC114TK
Q407	8-729-920-99	s TRANSISTOR DTAL14EU

-----  
 DUS-769 BOARD  
 -----

Ref. No. or Q'ty	Part No.	SP Description
1pc	1-653-049-11	o PRINTED CIRCUIT BOARD, DUS-769
C1	1-135-227-11	s TANTALUM, CHIP 100uF 10% 6.3V
C3	1-135-227-11	s TANTALUM, CHIP 100uF 10% 6.3V
R1	1-216-659-11	s METAL, CHIP 2.2K 0.5% 1/10W (2125)

-----  
DUS-784 BOARD  
-----

Ref. No. or Q'ty	Part No.	SP	Description
1pc	1-654-150-11	o	PRINTED CIRCUIT BOARD, DUS-784
1pc	1-566-088-11	o	PULG, DIL 16P
C1	1-126-396-11	s	ELECT, CHIP 47uF 20% 16V
C4	1-163-038-00	s	CERAMIC, CHIP 0.1uF 25V (2125)
C3	1-126-392-11	s	ELECT, CHIP 100uF 20% 6.3V
C5	1-126-395-11	s	ELECT, CHIP 22uF 20% 16V
C6	1-126-392-11	s	ELECT, CHIP 100uF 20% 6.3V
C7	1-126-392-11	s	ELECT, CHIP 100uF 20% 6.3V
C8	1-163-038-00	s	CERAMIC, CHIP 0.1uF 25V (2125)
C9	1-163-038-00	s	CERAMIC, CHIP 0.1uF 25V (2125)
C10	1-126-396-11	s	ELECT, CHIP 47uF 20% 16V
C11	1-163-038-00	s	CERAMIC, CHIP 0.1uF 25V (2125)
C12	1-126-395-11	s	ELECT, CHIP 22uF 20% 16V
C13	1-126-392-11	s	ELECT, CHIP 100uF 20% 6.3V
C14	1-126-392-11	s	ELECT, CHIP 100uF 20% 6.3V
C15	1-163-038-00	s	CERAMIC, CHIP 0.1uF 25V (2125)
C16	1-163-038-00	s	CERAMIC, CHIP 0.1uF 25V (2125)
D1	8-719-941-04	s	DIODE SB007-03CP
IC1	8-759-253-90	s	IC PCM1702U-J
IC2	8-759-253-90	s	IC PCM1702U-J
IC3	8-759-045-17	s	IC NJM79L05UA
IC4	8-759-045-17	s	IC NJM79L05UA

-----  
DUS-830 BOARD  
-----

Ref. No. or Q'ty	Part No.	SP	Description
1pc	A-8310-470-A	o	MOUNTED CIRCUIT BOARD, DUS-830
1pc	1-764-128-11	s	SOCKET, DIL 32P (for Board No. suffix 11 only)
2pcs	1-568-977-11	s	SOCKET, DIL 16P (for Board No. suffix 12 or higher)
CN1	1-568-976-11	o	PIN, SIL 16P
CN2	1-568-976-11	o	PIN, SIL 16P
R1	1-216-073-00	s	METAL, CHIP 10K 5% 1/10W (2125)
R2	1-216-073-00	s	METAL, CHIP 10K 5% 1/10W (2125)
R3	1-216-073-00	s	METAL, CHIP 10K 5% 1/10W (2125)

-----  
DUS-840 BOARD  
-----

Ref. No. or Q'ty	Part No.	SP	Description
1pc	A-8274-886-A	o	MOUNTED CIRCUIT BOARD, DUS-840
C1	1-104-851-11	s	TANTALUM, CHIP 10uF 20% 10V
C2	1-104-851-11	s	TANTALUM, CHIP 10uF 20% 10V
C3	1-104-913-11	s	TANTALUM, CHIP 10uF 20% 16V
C4	1-104-823-11	s	TANTALUM, CHIP 47uF 20% 16V
D1	8-719-404-35	s	DIODE MA141WK
D2	8-719-024-81	s	DIODE 1SS300
IC1	8-759-925-05	s	IC LM2903PS
Q1	8-729-905-18	s	TRANSISTOR DTC144EU
Q2	8-729-905-12	s	TRANSISTOR DTA144EU
Q3	8-729-117-32	s	TRANSISTOR 2SC4177-L6
Q4	8-729-140-63	s	TRANSISTOR 2SA1611-M5M6
R1	1-216-073-00	s	METAL, CHIP 10K 5% 1/10W (2125)
R2	1-216-675-11	s	METAL, CHIP 10K 0.5% 1/10W (2125)
R3	1-216-675-11	s	METAL, CHIP 10K 0.5% 1/10W (2125)
R4	1-216-675-11	s	METAL, CHIP 10K 0.5% 1/10W (2125)
R5	1-216-662-11	s	METAL, CHIP 3.0K 0.5% 1/10W (2125)
R6	1-216-675-11	s	METAL, CHIP 10K 0.5% 1/10W (2125)
R7	1-216-113-00	s	METAL, CHIP 470K 5% 1/10W (2125)
R8	1-216-073-00	s	METAL, CHIP 10K 5% 1/10W (2125)
R9	1-216-073-00	s	METAL, CHIP 10K 5% 1/10W (2125)
R10	1-216-675-11	s	METAL, CHIP 10K 0.5% 1/10W (2125)
R11	1-216-675-11	s	METAL, CHIP 10K 0.5% 1/10W (2125)

-----  
 EQ-45 BOARD for DVW-500P, LOT No. 302 through 001  
 -----

Ref. No. or Q'ty	Part No.	SP Description
1pc	A-8275-149-A	o MOUNTED CIRCUIT BOARD, EQ-45P (For Europa model)
	A-8310-426-A	o MOUNTED CIRCUIT BOARD, EQ-45PG (For USA and Canada models)
1pc	3-179-084-01	s LEVER (R), PC BOARD
1pc	3-179-085-01	s LEVER (L), PC BOARD
12pcs	3-182-839-01	o BRACKET, HEAT SINK RETAINER
4pcs	3-182-840-01	o HEAT SINK (EQ) For IC401, 501, 601, 701
8pcs	3-185-973-01	o HEAT SINK (PLL) For IC801-804, 901-904
C1	1-126-396-11	s ELECT, CHIP 47uF 20% 16V
C2	1-162-970-11	s CERAMIC, CHIP 0.01uF 10% 25V (1608)
C3	1-126-392-11	s ELECT, CHIP 100uF 20% 6.3V
C4	1-162-970-11	s CERAMIC, CHIP 0.01uF 10% 25V (1608)
C5	1-126-392-11	s ELECT, CHIP 100uF 20% 6.3V
C6	1-162-970-11	s CERAMIC, CHIP 0.01uF 10% 25V (1608)
C7	1-126-396-11	s ELECT, CHIP 47uF 20% 16V
C8	1-162-970-11	s CERAMIC, CHIP 0.01uF 10% 25V (1608)
C100	1-164-156-11	s CERAMIC, CHIP 0.1uF 25V (1608)
C101-107	1-162-970-11	s CERAMIC, CHIP 0.01uF 10% 25V (1608)
C108	1-126-399-11	s ELECT, CHIP 10uF 20% 35V
C109	1-162-970-11	s CERAMIC, CHIP 0.01uF 10% 25V (1608)
C110	1-162-970-11	s CERAMIC, CHIP 0.01uF 10% 25V (1608)
C111	1-126-399-11	s ELECT, CHIP 10uF 20% 35V
C112	1-162-970-11	s CERAMIC, CHIP 0.01uF 10% 25V (1608)
C113	1-162-970-11	s CERAMIC, CHIP 0.01uF 10% 25V (1608)
C114	1-126-399-11	s ELECT, CHIP 10uF 20% 35V
C115	1-162-970-11	s CERAMIC, CHIP 0.01uF 10% 25V (1608)
C116	1-164-156-11	s CERAMIC, CHIP 0.1uF 25V (1608)
C117-120	1-162-970-11	s CERAMIC, CHIP 0.01uF 10% 25V (1608)
C121	1-164-156-11	s CERAMIC, CHIP 0.1uF 25V (1608)
C122	1-162-970-11	s CERAMIC, CHIP 0.01uF 10% 25V (1608)
C123	1-126-392-11	s ELECT, CHIP 100uF 20% 6.3V
C201	1-162-970-11	s CERAMIC, CHIP 0.01uF 10% 25V (1608)
C202	1-164-315-11	s CERAMIC, CHIP 470pF 5% 50V (1608)
C203	1-162-970-11	s CERAMIC, CHIP 0.01uF 10% 25V (1608)
C204-207	1-164-156-11	s CERAMIC, CHIP 0.1uF 25V (1608)
C209	1-126-392-11	s ELECT, CHIP 100uF 20% 6.3V
C210	1-126-392-11	s ELECT, CHIP 100uF 20% 6.3V
C211-213	1-162-970-11	s CERAMIC, CHIP 0.01uF 10% 25V (1608)
C214	1-164-156-11	s CERAMIC, CHIP 0.1uF 25V (1608)
C215	1-162-919-11	s CERAMIC, CHIP 22pF 5% 50V (1608)
C216	1-162-919-11	s CERAMIC, CHIP 22pF 5% 50V (1608)
C217	1-162-970-11	s CERAMIC, CHIP 0.01uF 10% 25V (1608)
C218-221	1-164-156-11	s CERAMIC, CHIP 0.1uF 25V (1608)
C222	1-162-964-11	s CERAMIC, CHIP 1000pF 10% 50V (1608)
C223	1-162-970-11	s CERAMIC, CHIP 0.01uF 10% 25V (1608)
C224	*3 1-164-156-11	s CERAMIC, CHIP 0.1uF 25V (1608)
C225	1-164-156-11	s CERAMIC, CHIP 0.1uF 25V (1608)
C226	*3 1-162-970-11	s CERAMIC, CHIP 0.01uF 10% 25V (1608)
C228	1-162-970-11	s CERAMIC, CHIP 0.01uF 10% 25V (1608)
C229	1-162-964-11	s CERAMIC, CHIP 1000pF 10% 50V (1608)
C230	1-162-910-11	s CERAMIC, CHIP 5pF 50V (1608)
C231	1-162-918-11	s CERAMIC, CHIP 18pF 5% 50V (1608)

-----  
 \*3: Board No. suffix 22 only

(EQ-45 BOARD for DVW-500P, LOT No. 302 through 001)

Ref. No. or Q'ty	Part No.	SP Description
C234-236	1-164-315-11	s CERAMIC, CHIP 470pF 5% 50V (1608)
C237	1-162-970-11	s CERAMIC, CHIP 0.01uF 10% 25V (1608)
C250-253	1-164-156-11	s CERAMIC, CHIP 0.1uF 25V (1608)
C400 *5	1-162-927-11	s CERAMIC, CHIP 100pF 5% 50V (1608)
C403-408	1-164-156-11	s CERAMIC, CHIP 0.1uF 25V (1608)
C409	1-162-970-11	s CERAMIC, CHIP 0.01uF 10% 25V (1608)
C410 *3	1-164-315-11	s CERAMIC, CHIP 470pF 5% 50V (1608)
C411	1-164-315-11	s CERAMIC, CHIP 470pF 5% 50V (1608)
C412	1-164-315-11	s CERAMIC, CHIP 470pF 5% 50V (1608)
C413	1-164-156-11	s CERAMIC, CHIP 0.1uF 25V (1608)
C414	1-162-970-11	s CERAMIC, CHIP 0.01uF 10% 25V (1608)
C415-418	1-164-156-11	s CERAMIC, CHIP 0.1uF 25V (1608)
C420	1-164-156-11	s CERAMIC, CHIP 0.1uF 25V (1608)
C421	1-164-156-11	s CERAMIC, CHIP 0.1uF 25V (1608)
C422	1-162-970-11	s CERAMIC, CHIP 0.01uF 10% 25V (1608)
C423	1-162-970-11	s CERAMIC, CHIP 0.01uF 10% 25V (1608)
C424	1-164-156-11	s CERAMIC, CHIP 0.1uF 25V (1608)
C426	1-164-156-11	s CERAMIC, CHIP 0.1uF 25V (1608)
C427	1-164-156-11	s CERAMIC, CHIP 0.1uF 25V (1608)
C428 *5	1-135-210-11	s TANTALUM, CHIP 4.7uF 20% 10V
	*3 1-164-156-11	s CERAMIC, CHIP 0.1uF 25V (1608)
C428A(*3)	1-131-351-00	s TANTALUM 4.7uF 10% 35V
C429	1-164-217-11	s CERAMIC, CHIP 150pF 5% 50V (1608)
C430	1-164-217-11	s CERAMIC, CHIP 150pF 5% 50V (1608)
C431 *5	1-135-210-11	s TANTALUM, CHIP 4.7uF 20% 10V
	*3 1-164-156-11	s CERAMIC, CHIP 0.1uF 25V (1608)
C431A(*3)	1-131-351-00	s TANTALUM 4.7uF 10% 35V
C432	1-164-217-11	s CERAMIC, CHIP 150pF 5% 50V (1608)
C433-435	1-164-156-11	s CERAMIC, CHIP 0.1uF 25V (1608)
C436	1-162-970-11	s CERAMIC, CHIP 0.01uF 10% 25V (1608)
C437	1-164-156-11	s CERAMIC, CHIP 0.1uF 25V (1608)
C438	1-164-156-11	s CERAMIC, CHIP 0.1uF 25V (1608)
C439	1-162-909-11	s CERAMIC, CHIP 4pF 50V (1608)
C440	1-162-924-11	s CERAMIC, CHIP 56pF 5% 50V (1608)
C441-443	1-164-156-11	s CERAMIC, CHIP 0.1uF 25V (1608)
C444	1-162-970-11	s CERAMIC, CHIP 0.01uF 10% 25V (1608)
C445-452	1-164-156-11	s CERAMIC, CHIP 0.1uF 25V (1608)
C454-456	1-164-156-11	s CERAMIC, CHIP 0.1uF 25V (1608)
C457 *5	1-164-156-11	s CERAMIC, CHIP 0.1uF 25V (1608)
C458	1-162-915-11	s CERAMIC, CHIP 10pF 50V (1608)
C459 *3	1-164-156-11	s CERAMIC, CHIP 0.1uF 25V (1608)
C460	1-126-404-11	s ELECT, CHIP 4.7uF 20% 50V
C461	1-162-963-11	s CERAMIC, CHIP 680pF 10% 50V (1608)
C462	1-162-967-11	s CERAMIC, CHIP 3300pF 10% 50V (1608)
C463	1-164-156-11	s CERAMIC, CHIP 0.1uF 25V (1608)
C464	1-164-156-11	s CERAMIC, CHIP 0.1uF 25V (1608)
C482	1-164-156-11	s CERAMIC, CHIP 0.1uF 25V (1608)
C483	1-164-156-11	s CERAMIC, CHIP 0.1uF 25V (1608)
C500 *5	1-162-927-11	s CERAMIC, CHIP 100pF 5% 50V (1608)
C503-505	1-164-156-11	s CERAMIC, CHIP 0.1uF 25V (1608)
C507	1-164-156-11	s CERAMIC, CHIP 0.1uF 25V (1608)
C508	1-164-156-11	s CERAMIC, CHIP 0.1uF 25V (1608)
C509	1-162-970-11	s CERAMIC, CHIP 0.01uF 10% 25V (1608)
C510 *3	1-164-315-11	s CERAMIC, CHIP 470pF 5% 50V (1608)
C511	1-164-315-11	s CERAMIC, CHIP 470pF 5% 50V (1608)
C512	1-164-315-11	s CERAMIC, CHIP 470pF 5% 50V (1608)

-----  
 \*5: Board No. suffix 23 or higher  
 (\*?): Some mounted circuit boards within specified "\*?"

(EQ-45 BOARD for DVW-500P, LOT No. 302 through 001)

(EQ-45 BOARD for DVW-500P, LOT No. 302 through 001)

Ref. No. or Q'ty	Part No.	SP	Description
C515-518	1-164-156-11	s	CERAMIC, CHIP 0.1uF 25V (1608)
C520	1-164-156-11	s	CERAMIC, CHIP 0.1uF 25V (1608)
C521	1-164-156-11	s	CERAMIC, CHIP 0.1uF 25V (1608)
C522	1-162-970-11	s	CERAMIC, CHIP 0.01uF 10% 25V (1608)
C523	1-162-970-11	s	CERAMIC, CHIP 0.01uF 10% 25V (1608)
C524	1-164-156-11	s	CERAMIC, CHIP 0.1uF 25V (1608)
C526	1-164-156-11	s	CERAMIC, CHIP 0.1uF 25V (1608)
C527	1-164-156-11	s	CERAMIC, CHIP 0.1uF 25V (1608)
C528	*5 1-135-210-11	s	TANTALUM, CHIP 4.7uF 20% 10V
	*3 1-164-156-11	s	CERAMIC, CHIP 0.1uF 25V (1608)
C528A(*3)	1-131-351-00	s	TANTALUM 4.7uF 10% 35V
C529	1-164-217-11	s	CERAMIC, CHIP 150pF 5% 50V (1608)
C530	1-164-217-11	s	CERAMIC, CHIP 150pF 5% 50V (1608)
C531	*5 1-135-210-11	s	TANTALUM, CHIP 4.7uF 20% 10V
	*3 1-164-156-11	s	CERAMIC, CHIP 0.1uF 25V (1608)
C531A(*3)	1-131-351-00	s	TANTALUM 4.7uF 10% 35V
C532	1-164-217-11	s	CERAMIC, CHIP 150pF 5% 50V (1608)
C533-535	1-164-156-11	s	CERAMIC, CHIP 0.1uF 25V (1608)
C536	1-162-970-11	s	CERAMIC, CHIP 0.01uF 10% 25V (1608)
C537	1-164-156-11	s	CERAMIC, CHIP 0.1uF 25V (1608)
C538	1-164-156-11	s	CERAMIC, CHIP 0.1uF 25V (1608)
C539	1-162-909-11	s	CERAMIC, CHIP 4pF 50V (1608)
C540	1-162-924-11	s	CERAMIC, CHIP 56pF 5% 50V (1608)
C541-543	1-164-156-11	s	CERAMIC, CHIP 0.1uF 25V (1608)
C544	1-162-970-11	s	CERAMIC, CHIP 0.01uF 10% 25V (1608)
C545-552	1-164-156-11	s	CERAMIC, CHIP 0.1uF 25V (1608)
C554-557	1-164-156-11	s	CERAMIC, CHIP 0.1uF 25V (1608)
C558	1-162-915-11	s	CERAMIC, CHIP 10pF 50V (1608)
C559	*3 1-164-156-11	s	CERAMIC, CHIP 0.1uF 25V (1608)
C560	1-126-404-11	s	ELECT, CHIP 4.7uF 20% 50V
C561	1-162-963-11	s	CERAMIC, CHIP 680pF 10% 50V (1608)
C562	1-162-967-11	s	CERAMIC, CHIP 3300pF 10% 50V (1608)
C563	1-164-156-11	s	CERAMIC, CHIP 0.1uF 25V (1608)
C564	1-164-156-11	s	CERAMIC, CHIP 0.1uF 25V (1608)
C600	*5 1-162-927-11	s	CERAMIC, CHIP 100pF 5% 50V (1608)
C603-605	1-164-156-11	s	CERAMIC, CHIP 0.1uF 25V (1608)
C607	1-164-156-11	s	CERAMIC, CHIP 0.1uF 25V (1608)
C608	1-164-156-11	s	CERAMIC, CHIP 0.1uF 25V (1608)
C609	1-162-970-11	s	CERAMIC, CHIP 0.01uF 10% 25V (1608)
C610	*3 1-164-315-11	s	CERAMIC, CHIP 470pF 5% 50V (1608)
C611	1-164-315-11	s	CERAMIC, CHIP 470pF 5% 50V (1608)
C612	1-164-315-11	s	CERAMIC, CHIP 470pF 5% 50V (1608)
C613	1-164-156-11	s	CERAMIC, CHIP 0.1uF 25V (1608)
C614	1-162-970-11	s	CERAMIC, CHIP 0.01uF 10% 25V (1608)
C615-618	1-164-156-11	s	CERAMIC, CHIP 0.1uF 25V (1608)
C620	1-164-156-11	s	CERAMIC, CHIP 0.1uF 25V (1608)
C621	1-164-156-11	s	CERAMIC, CHIP 0.1uF 25V (1608)
C622	1-162-970-11	s	CERAMIC, CHIP 0.01uF 10% 25V (1608)
C623	1-162-970-11	s	CERAMIC, CHIP 0.01uF 10% 25V (1608)
C624	1-164-156-11	s	CERAMIC, CHIP 0.1uF 25V (1608)
C626	1-164-156-11	s	CERAMIC, CHIP 0.1uF 25V (1608)
C627	1-164-156-11	s	CERAMIC, CHIP 0.1uF 25V (1608)
C628	*5 1-135-210-11	s	TANTALUM, CHIP 4.7uF 20% 10V
	*3 1-164-156-11	s	CERAMIC, CHIP 0.1uF 25V (1608)
C628A(*3)	1-131-351-00	s	TANTALUM 4.7uF 10% 35V
C629	1-164-217-11	s	CERAMIC, CHIP 150pF 5% 50V (1608)

\*3: Board No. suffix 22 only

Ref. No. or Q'ty	Part No.	SP	Description
C630	1-164-217-11	s	CERAMIC, CHIP 150pF 5% 50V (1608)
C631	*5 1-135-210-11	s	TANTALUM, CHIP 4.7uF 20% 10V
	*3 1-164-156-11	s	CERAMIC, CHIP 0.1uF 25V (1608)
C631A(*3)	1-131-351-00	s	TANTALUM 4.7uF 10% 35V
C632	1-164-217-11	s	CERAMIC, CHIP 150pF 5% 50V (1608)
C633-635	1-164-156-11	s	CERAMIC, CHIP 0.1uF 25V (1608)
C636	1-162-970-11	s	CERAMIC, CHIP 0.01uF 10% 25V (1608)
C637	1-164-156-11	s	CERAMIC, CHIP 0.1uF 25V (1608)
C638	1-164-156-11	s	CERAMIC, CHIP 0.1uF 25V (1608)
C639	1-162-909-11	s	CERAMIC, CHIP 4pF 50V (1608)
C640	1-162-924-11	s	CERAMIC, CHIP 56pF 5% 50V (1608)
C641-643	1-164-156-11	s	CERAMIC, CHIP 0.1uF 25V (1608)
C644	1-162-970-11	s	CERAMIC, CHIP 0.01uF 10% 25V (1608)
C645-652	1-164-156-11	s	CERAMIC, CHIP 0.1uF 25V (1608)
C654-657	1-164-156-11	s	CERAMIC, CHIP 0.1uF 25V (1608)
C658	1-162-915-11	s	CERAMIC, CHIP 10pF 50V (1608)
C660	1-126-404-11	s	ELECT, CHIP 4.7uF 20% 50V
C661	1-162-963-11	s	CERAMIC, CHIP 680pF 10% 50V (1608)
C662	1-162-967-11	s	CERAMIC, CHIP 3300pF 10% 50V (1608)
C663	1-164-156-11	s	CERAMIC, CHIP 0.1uF 25V (1608)
C664	1-164-156-11	s	CERAMIC, CHIP 0.1uF 25V (1608)
C682	1-164-156-11	s	CERAMIC, CHIP 0.1uF 25V (1608)
C683	1-164-156-11	s	CERAMIC, CHIP 0.1uF 25V (1608)
C700	*5 1-162-927-11	s	CERAMIC, CHIP 100pF 5% 50V (1608)
C703-705	1-164-156-11	s	CERAMIC, CHIP 0.1uF 25V (1608)
C707	1-164-156-11	s	CERAMIC, CHIP 0.1uF 25V (1608)
C708	1-164-156-11	s	CERAMIC, CHIP 0.1uF 25V (1608)
C709	1-162-970-11	s	CERAMIC, CHIP 0.01uF 10% 25V (1608)
C710	*3 1-164-315-11	s	CERAMIC, CHIP 470pF 5% 50V (1608)
C711	1-164-315-11	s	CERAMIC, CHIP 470pF 5% 50V (1608)
C712	1-164-315-11	s	CERAMIC, CHIP 470pF 5% 50V (1608)
C715-718	1-164-156-11	s	CERAMIC, CHIP 0.1uF 25V (1608)
C720	1-164-156-11	s	CERAMIC, CHIP 0.1uF 25V (1608)
C721	1-164-156-11	s	CERAMIC, CHIP 0.1uF 25V (1608)
C722	1-162-970-11	s	CERAMIC, CHIP 0.01uF 10% 25V (1608)
C723	1-162-970-11	s	CERAMIC, CHIP 0.01uF 10% 25V (1608)
C724	1-164-156-11	s	CERAMIC, CHIP 0.1uF 25V (1608)
C726	1-164-156-11	s	CERAMIC, CHIP 0.1uF 25V (1608)
C727	1-164-156-11	s	CERAMIC, CHIP 0.1uF 25V (1608)
C728	*5 1-135-210-11	s	TANTALUM, CHIP 4.7uF 20% 10V
	*3 1-164-156-11	s	CERAMIC, CHIP 0.1uF 25V (1608)
C728A(*3)	1-131-351-00	s	TANTALUM 4.7uF 10% 35V
C729	1-164-217-11	s	CERAMIC, CHIP 150pF 5% 50V (1608)
C730	1-164-217-11	s	CERAMIC, CHIP 150pF 5% 50V (1608)
C731	*5 1-135-210-11	s	TANTALUM, CHIP 4.7uF 20% 10V
	*3 1-164-156-11	s	CERAMIC, CHIP 0.1uF 25V (1608)
C731A(*3)	1-131-351-00	s	TANTALUM 4.7uF 10% 35V
C732	1-164-217-11	s	CERAMIC, CHIP 150pF 5% 50V (1608)
C733-735	1-164-156-11	s	CERAMIC, CHIP 0.1uF 25V (1608)
C736	1-162-970-11	s	CERAMIC, CHIP 0.01uF 10% 25V (1608)
C737	1-164-156-11	s	CERAMIC, CHIP 0.1uF 25V (1608)
C738	1-164-156-11	s	CERAMIC, CHIP 0.1uF 25V (1608)
C739	1-162-909-11	s	CERAMIC, CHIP 4pF 50V (1608)
C740	1-162-924-11	s	CERAMIC, CHIP 56pF 5% 50V (1608)
C741-743	1-164-156-11	s	CERAMIC, CHIP 0.1uF 25V (1608)
C744	1-162-970-11	s	CERAMIC, CHIP 0.01uF 10% 25V (1608)

\*5: Board No. suffix 23 or higher

(\*?): Some mounted circuit boards within specified "\*?"

(EQ-45 BOARD for DVW-500P, LOT No. 302 through 001)

(EQ-45 BOARD for DVW-500P, LOT No. 302 through 001)

Ref. No. or Q'ty	Part No.	SP	Description
C745-752	1-164-156-11	s	CERAMIC, CHIP 0.1uF 25V (1608)
C754-757	1-164-156-11	s	CERAMIC, CHIP 0.1uF 25V (1608)
C758	1-162-915-11	s	CERAMIC, CHIP 10pF 50V (1608)
C760	1-126-404-11	s	ELECT, CHIP 4.7uF 20% 50V
C761	1-162-963-11	s	CERAMIC, CHIP 680pF 10% 50V (1608)
C762	1-162-967-11	s	CERAMIC, CHIP 3300pF 10% 50V (1608)
C763	1-164-156-11	s	CERAMIC, CHIP 0.1uF 25V (1608)
C764	1-164-156-11	s	CERAMIC, CHIP 0.1uF 25V (1608)
C800	*5 1-162-927-11	s	CERAMIC, CHIP 100pF 5% 50V (1608)
C801	1-162-970-11	s	CERAMIC, CHIP 0.01uF 10% 25V (1608)
C802-804	1-164-156-11	s	CERAMIC, CHIP 0.1uF 25V (1608)
C805	1-135-145-11	s	TANTALUM, CHIP 0.47uF 10% 35V
C806	1-126-392-11	s	ELECT, CHIP 100uF 20% 6.3V
C807	1-126-392-11	s	ELECT, CHIP 100uF 20% 6.3V
C808	1-162-970-11	s	CERAMIC, CHIP 0.01uF 10% 25V (1608)
C809	1-164-156-11	s	CERAMIC, CHIP 0.1uF 25V (1608)
C810	1-162-970-11	s	CERAMIC, CHIP 0.01uF 10% 25V (1608)
C811	1-162-970-11	s	CERAMIC, CHIP 0.01uF 10% 25V (1608)
C812	1-164-315-11	s	CERAMIC, CHIP 470pF 5% 50V (1608)
C813	*5 1-162-919-11	s	CERAMIC, CHIP 22pF 5% 50V (1608)
	*3 1-162-915-11	s	CERAMIC, CHIP 10pF 50V (1608)
C813A	*3 1-107-204-00	s	MICA 12pF 5% 500V
C814	1-162-970-11	s	CERAMIC, CHIP 0.01uF 10% 25V (1608)
C815	1-162-923-11	s	CERAMIC, CHIP 47pF 5% 50V (1608)
C816	1-164-156-11	s	CERAMIC, CHIP 0.1uF 25V (1608)
C817	1-164-156-11	s	CERAMIC, CHIP 0.1uF 25V (1608)
C818	*5 1-162-919-11	s	CERAMIC, CHIP 22pF 5% 50V (1608)
	*3 1-162-915-11	s	CERAMIC, CHIP 10pF 50V (1608)
C818A	*3 1-107-204-00	s	MICA 12pF 5% 500V
C819	*5 1-162-927-11	s	CERAMIC, CHIP 100pF 5% 50V (1608)
C820	1-162-970-11	s	CERAMIC, CHIP 0.01uF 10% 25V (1608)
C821-823	1-126-392-11	s	ELECT, CHIP 100uF 20% 6.3V
C824	1-162-927-11	s	CERAMIC, CHIP 100pF 5% 50V (1608)
C825	1-162-927-11	s	CERAMIC, CHIP 100pF 5% 50V (1608)
C826	1-162-970-11	s	CERAMIC, CHIP 0.01uF 10% 25V (1608)
C827	1-162-927-11	s	CERAMIC, CHIP 100pF 5% 50V (1608)
C829	1-162-970-11	s	CERAMIC, CHIP 0.01uF 10% 25V (1608)
C830	1-162-927-11	s	CERAMIC, CHIP 100pF 5% 50V (1608)
C831	1-162-927-11	s	CERAMIC, CHIP 100pF 5% 50V (1608)
C832	1-162-970-11	s	CERAMIC, CHIP 0.01uF 10% 25V (1608)
C833	1-162-970-11	s	CERAMIC, CHIP 0.01uF 10% 25V (1608)
C834-836	1-164-156-11	s	CERAMIC, CHIP 0.1uF 25V (1608)
C837	1-135-145-11	s	TANTALUM, CHIP 0.47uF 10% 35V
C838	1-126-392-11	s	ELECT, CHIP 100uF 20% 6.3V
C839	1-126-392-11	s	ELECT, CHIP 100uF 20% 6.3V
C840	1-162-970-11	s	CERAMIC, CHIP 0.01uF 10% 25V (1608)
C841	1-164-156-11	s	CERAMIC, CHIP 0.1uF 25V (1608)
C842	1-162-970-11	s	CERAMIC, CHIP 0.01uF 10% 25V (1608)
C843	1-162-970-11	s	CERAMIC, CHIP 0.01uF 10% 25V (1608)
C844	1-164-315-11	s	CERAMIC, CHIP 470pF 5% 50V (1608)
C848	1-164-156-11	s	CERAMIC, CHIP 0.1uF 25V (1608)
C849	1-164-156-11	s	CERAMIC, CHIP 0.1uF 25V (1608)
C852	1-162-970-11	s	CERAMIC, CHIP 0.01uF 10% 25V (1608)
C853-855	1-126-392-11	s	ELECT, CHIP 100uF 20% 6.3V
C856	1-162-927-11	s	CERAMIC, CHIP 100pF 5% 50V (1608)
C857	1-162-927-11	s	CERAMIC, CHIP 100pF 5% 50V (1608)

\*3: Board No. suffix 22 only

Ref. No. or Q'ty	Part No.	SP	Description
C858	1-162-970-11	s	CERAMIC, CHIP 0.01uF 10% 25V (1608)
C859	1-162-927-11	s	CERAMIC, CHIP 100pF 5% 50V (1608)
C861	1-162-970-11	s	CERAMIC, CHIP 0.01uF 10% 25V (1608)
C862	1-162-927-11	s	CERAMIC, CHIP 100pF 5% 50V (1608)
C863	1-162-927-11	s	CERAMIC, CHIP 100pF 5% 50V (1608)
C864	1-162-970-11	s	CERAMIC, CHIP 0.01uF 10% 25V (1608)
C865	1-162-970-11	s	CERAMIC, CHIP 0.01uF 10% 25V (1608)
C873	1-126-392-11	s	ELECT, CHIP 100uF 20% 6.3V
C874	1-162-970-11	s	CERAMIC, CHIP 0.01uF 10% 25V (1608)
C875	1-164-156-11	s	CERAMIC, CHIP 0.1uF 25V (1608)
C876	1-162-970-11	s	CERAMIC, CHIP 0.01uF 10% 25V (1608)
C877	1-162-970-11	s	CERAMIC, CHIP 0.01uF 10% 25V (1608)
C878	1-162-923-11	s	CERAMIC, CHIP 47pF 5% 50V (1608)
C880-887	1-164-156-11	s	CERAMIC, CHIP 0.1uF 25V (1608)
C900	*5 1-162-927-11	s	CERAMIC, CHIP 100pF 5% 50V (1608)
C901	1-162-970-11	s	CERAMIC, CHIP 0.01uF 10% 25V (1608)
C902-904	1-164-156-11	s	CERAMIC, CHIP 0.1uF 25V (1608)
C905	1-135-145-11	s	TANTALUM, CHIP 0.47uF 10% 35V
C906	1-126-392-11	s	ELECT, CHIP 100uF 20% 6.3V
C907	1-126-392-11	s	ELECT, CHIP 100uF 20% 6.3V
C908	1-162-970-11	s	CERAMIC, CHIP 0.01uF 10% 25V (1608)
C909	1-164-156-11	s	CERAMIC, CHIP 0.1uF 25V (1608)
C910	1-162-970-11	s	CERAMIC, CHIP 0.01uF 10% 25V (1608)
C911	1-162-970-11	s	CERAMIC, CHIP 0.01uF 10% 25V (1608)
C912	1-164-315-11	s	CERAMIC, CHIP 470pF 5% 50V (1608)
C913	*5 1-162-919-11	s	CERAMIC, CHIP 22pF 5% 50V (1608)
	*3 1-162-915-11	s	CERAMIC, CHIP 10pF 50V (1608)
C913A	*3 1-107-204-00	s	MICA 12pF 5% 500V
C914	1-162-970-11	s	CERAMIC, CHIP 0.01uF 10% 25V (1608)
C915	1-162-923-11	s	CERAMIC, CHIP 47pF 5% 50V (1608)
C916	1-164-156-11	s	CERAMIC, CHIP 0.1uF 25V (1608)
C917	1-164-156-11	s	CERAMIC, CHIP 0.1uF 25V (1608)
C918	*5 1-162-919-11	s	CERAMIC, CHIP 22pF 5% 50V (1608)
	*3 1-162-915-11	s	CERAMIC, CHIP 10pF 50V (1608)
C918A	*3 1-107-204-00	s	MICA 12pF 5% 500V
C919	*5 1-162-927-11	s	CERAMIC, CHIP 100pF 5% 50V (1608)
C920	1-162-970-11	s	CERAMIC, CHIP 0.01uF 10% 25V (1608)
C921-923	1-126-392-11	s	ELECT, CHIP 100uF 20% 6.3V
C924	1-162-927-11	s	CERAMIC, CHIP 100pF 5% 50V (1608)
C925	1-162-927-11	s	CERAMIC, CHIP 100pF 5% 50V (1608)
C926	1-162-970-11	s	CERAMIC, CHIP 0.01uF 10% 25V (1608)
C927	1-162-927-11	s	CERAMIC, CHIP 100pF 5% 50V (1608)
C929	1-162-970-11	s	CERAMIC, CHIP 0.01uF 10% 25V (1608)
C930	1-162-927-11	s	CERAMIC, CHIP 100pF 5% 50V (1608)
C931	1-162-927-11	s	CERAMIC, CHIP 100pF 5% 50V (1608)
C932	1-162-970-11	s	CERAMIC, CHIP 0.01uF 10% 25V (1608)
C933	1-162-970-11	s	CERAMIC, CHIP 0.01uF 10% 25V (1608)
C934-936	1-164-156-11	s	CERAMIC, CHIP 0.1uF 25V (1608)
C937	1-135-145-11	s	TANTALUM, CHIP 0.47uF 10% 35V
C938	1-126-392-11	s	ELECT, CHIP 100uF 20% 6.3V
C939	1-126-392-11	s	ELECT, CHIP 100uF 20% 6.3V
C940	1-162-970-11	s	CERAMIC, CHIP 0.01uF 10% 25V (1608)
C941	1-164-156-11	s	CERAMIC, CHIP 0.1uF 25V (1608)
C942	1-162-970-11	s	CERAMIC, CHIP 0.01uF 10% 25V (1608)
C943	1-162-970-11	s	CERAMIC, CHIP 0.01uF 10% 25V (1608)

\*5: Board No. suffix 23 or higher

(EQ-45 BOARD for DVW-500P, LOT No. 302 through 001)

(EQ-45 BOARD for DVW-500P, LOT No. 302 through 001)

Ref. No. or Q'ty	Part No.	SP	Description
C944	1-164-315-11	s	CERAMIC, CHIP 470pF 5% 50V (1608)
C948	1-164-156-11	s	CERAMIC, CHIP 0.1uF 25V (1608)
C949	1-164-156-11	s	CERAMIC, CHIP 0.1uF 25V (1608)
C952	1-162-970-11	s	CERAMIC, CHIP 0.01uF 10% 25V (1608)
C953-955	1-126-392-11	s	ELECT, CHIP 100uF 20% 6.3V
C956	1-162-927-11	s	CERAMIC, CHIP 100pF 5% 50V (1608)
C957	1-162-927-11	s	CERAMIC, CHIP 100pF 5% 50V (1608)
C958	1-162-970-11	s	CERAMIC, CHIP 0.01uF 10% 25V (1608)
C959	1-162-927-11	s	CERAMIC, CHIP 100pF 5% 50V (1608)
C961	1-162-970-11	s	CERAMIC, CHIP 0.01uF 10% 25V (1608)
C962	1-162-927-11	s	CERAMIC, CHIP 100pF 5% 50V (1608)
C963	1-162-927-11	s	CERAMIC, CHIP 100pF 5% 50V (1608)
C964	1-162-970-11	s	CERAMIC, CHIP 0.01uF 10% 25V (1608)
C965	1-162-970-11	s	CERAMIC, CHIP 0.01uF 10% 25V (1608)
C972	1-162-970-11	s	CERAMIC, CHIP 0.01uF 10% 25V (1608)
C973	1-126-392-11	s	ELECT, CHIP 100uF 20% 6.3V
C977	1-162-970-11	s	CERAMIC, CHIP 0.01uF 10% 25V (1608)
C978	1-162-923-11	s	CERAMIC, CHIP 47pF 5% 50V (1608)
C980-987	1-164-156-11	s	CERAMIC, CHIP 0.1uF 25V (1608)
CN106	1-750-795-21	s	CONNECTOR, PHEC 120P, MALE
CN601	1-506-471-11	o	CONNECTOR, 6P, MALE
CN602	1-506-469-11	s	CONNECTOR, 4P, MALE
CN603	1-506-469-11	s	CONNECTOR, 4P, MALE
CN606	1-506-468-11	o	CONNECTOR, 3P, MALE
CN607	1-506-468-11	o	CONNECTOR, 3P, MALE
CN608	1-506-468-11	o	CONNECTOR, 3P, MALE
CN609	1-506-468-11	o	CONNECTOR, 3P, MALE
CP101	1-760-005-11	s	OSCILLATOR, CRYSTAL 65.0287 MHZ
D401	8-719-941-23	s	DIODE DA204U
D501	8-719-941-23	s	DIODE DA204U
D601	8-719-941-23	s	DIODE DA204U
D701	8-719-941-23	s	DIODE DA204U
DL420	1-415-799-11	s	DELAY LINE
DL520	1-415-799-11	s	DELAY LINE
DL620	1-415-799-11	s	DELAY LINE
DL720	1-415-799-11	s	DELAY LINE
FL101-126	1-239-719-31	s	FILTER, NOISE, CHIP
FL401	1-239-718-21	s	FILTER, LOW PASS
FL501	1-239-718-21	s	FILTER, LOW PASS
FL601	1-239-718-21	s	FILTER, LOW PASS
FL701	1-239-718-21	s	FILTER, LOW PASS
IC101	8-759-548-77	s	IC SN74LV245ANSR
IC102	8-759-548-77	s	IC SN74LV245ANSR
IC103	8-759-172-71	s	IC CXD8816R
IC104	8-759-548-77	s	IC SN74LV245ANSR
IC105	8-759-548-77	s	IC SN74LV245ANSR
IC106	8-759-548-77	s	IC SN74LV245ANSR
IC107	8-759-548-77	s	IC SN74LV245ANSR
IC108	8-759-081-44	s	IC TC74VHC04F
IC109	8-759-673-36	s	IC MM74HC00SJX
IC201	8-759-925-85	s	IC SN74HC32ANS
IC202	8-759-673-45	s	IC MM74HC08SJX
IC203	8-759-673-45	s	IC MM74HC08SJX

Ref. No. or Q'ty	Part No.	SP	Description
IC204	8-752-066-48	s	IC CXA1809Q
IC205	8-759-635-27	s	IC M62352GP
IC250	8-759-234-08	s	IC TA78L05F
IC252	8-759-446-74	s	IC TA79L05F
IC400	8-759-234-94	s	IC TA8504F
IC401	8-752-084-12	s	IC CXA1808Q
IC402	8-759-635-27	s	IC M62352GP
IC403	8-759-300-71	s	IC HD14053BFP
IC404	8-759-234-08	s	IC TA78L05F
IC405	8-759-446-74	s	IC TA79L05F
IC406	8-759-446-74	s	IC TA79L05F
IC407	8-759-908-17	s	IC TL082CPS
IC408	8-759-141-60	s	IC UPA101G
IC409	8-759-446-74	s	IC TA79L05F
IC500	8-759-234-94	s	IC TA8504F
IC501	8-752-084-12	s	IC CXA1808Q
IC503	8-759-300-71	s	IC HD14053BFP
IC504	8-759-234-08	s	IC TA78L05F
IC505	8-759-446-74	s	IC TA79L05F
IC507	8-759-908-17	s	IC TL082CPS
IC508	8-759-141-60	s	IC UPA101G
IC509	8-759-446-74	s	IC TA79L05F
IC600	8-759-234-94	s	IC TA8504F
IC601	8-752-084-12	s	IC CXA1808Q
IC602	8-759-635-27	s	IC M62352GP
IC603	8-759-300-71	s	IC HD14053BFP
IC604	8-759-234-08	s	IC TA78L05F
IC605	8-759-446-74	s	IC TA79L05F
IC606	8-759-446-74	s	IC TA79L05F
IC607	8-759-908-17	s	IC TL082CPS
IC608	8-759-141-60	s	IC UPA101G
IC609	8-759-446-74	s	IC TA79L05F
IC700	8-759-234-94	s	IC TA8504F
IC701	8-752-084-12	s	IC CXA1808Q
IC703	8-759-300-71	s	IC HD14053BFP
IC704	8-759-234-08	s	IC TA78L05F
IC705	8-759-446-74	s	IC TA79L05F
IC707	8-759-908-17	s	IC TL082CPS
IC708	8-759-141-60	s	IC UPA101G
IC709	8-759-446-74	s	IC TA79L05F
IC801	8-752-066-44	s	IC CXA1805Q
IC802	8-752-066-45	s	IC CXA1806Q
IC803	8-752-066-44	s	IC CXA1805Q
IC804	8-752-066-45	s	IC CXA1806Q
IC805	8-759-173-13	s	IC CXD8815Q
IC806	8-759-635-27	s	IC M62352GP
IC807	8-759-970-59	s	IC TLC272CPS
IC808	*5 8-759-908-92	s	IC TL084CNS
	*3 8-759-908-17	s	IC TL082CPS
IC809	8-759-970-59	s	IC TLC272CPS
IC810	*5 8-759-908-92	s	IC TL084CNS
	*3 8-759-908-17	s	IC TL082CPS
IC880	8-759-234-08	s	IC TA78L05F
IC881	8-759-446-74	s	IC TA79L05F
IC882	8-759-446-74	s	IC TA79L05F
IC883	8-759-446-74	s	IC TA79L05F

-----  
\*3: Board No. suffix 22 only  
\*5: Board No. suffix 23 or higher

(EQ-45 BOARD for DVW-500P, LOT No. 302 through 001)

(EQ-45 BOARD for DVW-500P, LOT No. 302 through 001)

Ref. No. or Q'ty	Part No.	SP	Description
IC901	8-752-066-44	s	IC CXA1805Q
IC902	8-752-066-45	s	IC CXA1806Q
IC903	8-752-066-44	s	IC CXA1805Q
IC904	8-752-066-45	s	IC CXA1806Q
IC905	8-759-173-13	s	IC CXD8815Q
IC907	8-759-970-59	s	IC TLC272CPS
IC908	*5 8-759-908-92	s	IC TL084CNS
	*3 8-759-908-17	s	IC TL082CPS
IC909	8-759-970-59	s	IC TLC272CPS
IC910	*5 8-759-908-92	s	IC TL084CNS
	*3 8-759-908-17	s	IC TL082CPS
IC980	8-759-234-08	s	IC TA78L05F
IC981	8-759-446-74	s	IC TA79L05F
IC982	8-759-446-74	s	IC TA79L05F
IC983	8-759-446-74	s	IC TA79L05F
L101-103	1-410-803-31	s	INDUCTOR, CHIP 0.047uH
L104	1-410-377-31	s	INDUCTOR, CHIP 4.7uH
L202	1-410-377-31	s	INDUCTOR, CHIP 4.7uH
L203	1-410-377-31	s	INDUCTOR, CHIP 4.7uH
L204	1-410-369-11	s	INDUCTOR, CHIP 1.0uH
L423	1-412-190-11	s	INDUCTOR, CHIP 33uH
L424	1-412-190-11	s	INDUCTOR, CHIP 33uH
L425	1-412-206-11	s	INDUCTOR, CHIP 1.0mH
L523	1-412-190-11	s	INDUCTOR, CHIP 33uH
L524	1-412-190-11	s	INDUCTOR, CHIP 33uH
L525	1-412-206-11	s	INDUCTOR, CHIP 1.0mH
L623	1-412-190-11	s	INDUCTOR, CHIP 33uH
L624	1-412-190-11	s	INDUCTOR, CHIP 33uH
L625	1-412-206-11	s	INDUCTOR, CHIP 1.0mH
L723	1-412-190-11	s	INDUCTOR, CHIP 33uH
L724	1-412-190-11	s	INDUCTOR, CHIP 33uH
L725	1-412-206-11	s	INDUCTOR, CHIP 1.0mH
L801-811	1-410-377-31	s	INDUCTOR, CHIP 4.7uH
L901-911	1-410-377-31	s	INDUCTOR, CHIP 4.7uH
PS1	Δ 1-533-348-11	s	LINK, IC, CHIP 4A (For Europa model)
	Δ 1-533-272-11	s	FUSE, CHIP 4A 125V (For USA and Canada models)
Q101	8-729-143-14	s	TRANSISTOR 2SC4176-B35
Q102	8-729-143-14	s	TRANSISTOR 2SC4176-B35
Q103	8-729-905-12	s	TRANSISTOR DTA144EU
Q104	8-729-905-12	s	TRANSISTOR DTA144EU
Q200	8-729-143-14	s	TRANSISTOR 2SC4176-B35
Q201	*3 8-729-143-14	s	TRANSISTOR 2SC4176-B35
Q202	8-729-143-14	s	TRANSISTOR 2SC4176-B35
Q205-207	8-729-143-14	s	TRANSISTOR 2SC4176-B35
Q400	8-729-143-14	s	TRANSISTOR 2SC4176-B35
Q401	8-729-143-14	s	TRANSISTOR 2SC4176-B35
Q402	8-729-924-56	s	TRANSISTOR DTC123JU
Q403	*5 8-729-143-07	s	TRANSISTOR 2SA1610-Y33
	*3 8-729-143-14	s	TRANSISTOR 2SC4176-B35
Q404	8-729-143-14	s	TRANSISTOR 2SC4176-B35
Q405	8-729-143-14	s	TRANSISTOR 2SC4176-B35
Q420	8-729-143-14	s	TRANSISTOR 2SC4176-B35

\*3: Board No. suffix 22 only

Ref. No. or Q'ty	Part No.	SP	Description
Q424-426	8-729-143-14	s	TRANSISTOR 2SC4176-B35
Q427	*3 8-729-143-14	s	TRANSISTOR 2SC4176-B35
Q500	8-729-143-14	s	TRANSISTOR 2SC4176-B35
Q501	8-729-143-14	s	TRANSISTOR 2SC4176-B35
Q502	8-729-924-56	s	TRANSISTOR DTC123JU
Q503	*5 8-729-143-07	s	TRANSISTOR 2SA1610-Y33
	*3 8-729-143-14	s	TRANSISTOR 2SC4176-B35
Q504	8-729-143-14	s	TRANSISTOR 2SC4176-B35
Q505	8-729-143-14	s	TRANSISTOR 2SC4176-B35
Q520	8-729-143-14	s	TRANSISTOR 2SC4176-B35
Q524-526	8-729-143-14	s	TRANSISTOR 2SC4176-B35
Q527	*3 8-729-143-14	s	TRANSISTOR 2SC4176-B35
Q600	8-729-143-14	s	TRANSISTOR 2SC4176-B35
Q601	8-729-143-14	s	TRANSISTOR 2SC4176-B35
Q602	8-729-924-56	s	TRANSISTOR DTC123JU
Q603	*5 8-729-143-07	s	TRANSISTOR 2SA1610-Y33
	*3 8-729-143-14	s	TRANSISTOR 2SC4176-B35
Q604	8-729-143-14	s	TRANSISTOR 2SC4176-B35
Q605	8-729-143-14	s	TRANSISTOR 2SC4176-B35
Q620	8-729-143-14	s	TRANSISTOR 2SC4176-B35
Q624-626	8-729-143-14	s	TRANSISTOR 2SC4176-B35
Q700	8-729-143-14	s	TRANSISTOR 2SC4176-B35
Q701	8-729-143-14	s	TRANSISTOR 2SC4176-B35
Q702	8-729-924-56	s	TRANSISTOR DTC123JU
Q703	*5 8-729-143-07	s	TRANSISTOR 2SA1610-Y33
	*3 8-729-143-14	s	TRANSISTOR 2SC4176-B35
Q704	8-729-143-14	s	TRANSISTOR 2SC4176-B35
Q705	8-729-143-14	s	TRANSISTOR 2SC4176-B35
Q720	8-729-143-14	s	TRANSISTOR 2SC4176-B35
Q724-726	8-729-143-14	s	TRANSISTOR 2SC4176-B35
Q801	8-729-143-14	s	TRANSISTOR 2SC4176-B35
Q802	8-729-143-14	s	TRANSISTOR 2SC4176-B35
Q803	8-729-117-32	s	TRANSISTOR 2SC4177-L6
Q804	8-729-209-07	s	TRANSISTOR 2SC4213-B
Q805	8-729-209-07	s	TRANSISTOR 2SC4213-B
Q806	8-729-117-32	s	TRANSISTOR 2SC4177-L6
Q807	*5 8-729-209-07	s	TRANSISTOR 2SC4213-B
Q808	*5 8-729-209-07	s	TRANSISTOR 2SC4213-B
Q811	*5 8-729-209-07	s	TRANSISTOR 2SC4213-B
Q812	*5 8-729-209-07	s	TRANSISTOR 2SC4213-B
Q813	*5 8-729-209-07	s	TRANSISTOR 2SC4213-B
Q814	*5 8-729-209-07	s	TRANSISTOR 2SC4213-B
Q901	8-729-143-14	s	TRANSISTOR 2SC4176-B35
Q902	8-729-143-14	s	TRANSISTOR 2SC4176-B35
Q903	8-729-117-32	s	TRANSISTOR 2SC4177-L6
Q904	8-729-209-07	s	TRANSISTOR 2SC4213-B
Q905	8-729-209-07	s	TRANSISTOR 2SC4213-B
Q906	8-729-117-32	s	TRANSISTOR 2SC4177-L6
Q907	*5 8-729-209-07	s	TRANSISTOR 2SC4213-B
Q908	*5 8-729-209-07	s	TRANSISTOR 2SC4213-B
Q911	*5 8-729-209-07	s	TRANSISTOR 2SC4213-B
Q912	*5 8-729-209-07	s	TRANSISTOR 2SC4213-B
Q913	*5 8-729-209-07	s	TRANSISTOR 2SC4213-B
Q914	*5 8-729-209-07	s	TRANSISTOR 2SC4213-B
R100	1-216-833-11	s	METAL, CHIP 10K 5% 1/16W (1608)

\*5: Board No. suffix 23 or higher



(EQ-45 BOARD for DVW-500P, LOT No. 302 through 001)

(EQ-45 BOARD for DVW-500P, LOT No. 302 through 001)

Ref. No. or Q'ty	Part No.	SP	Description
R101-109	1-216-813-11	s	METAL, CHIP 220 5% 1/16W (1608)
R110-115	1-216-833-11	s	METAL, CHIP 10K 5% 1/16W (1608)
R116-119	1-216-805-11	s	METAL, CHIP 47 5% 1/16W (1608)
R120-125	1-216-821-11	s	METAL, CHIP 1.0K 5% 1/16W (1608)
R126	1-216-805-11	s	METAL, CHIP 47 5% 1/16W (1608)
R127	1-216-821-11	s	METAL, CHIP 1.0K 5% 1/16W (1608)
R128-130	1-216-805-11	s	METAL, CHIP 47 5% 1/16W (1608)
R131	1-216-833-11	s	METAL, CHIP 10K 5% 1/16W (1608)
R132-135	1-216-805-11	s	METAL, CHIP 47 5% 1/16W (1608)
R136	1-216-841-11	s	METAL, CHIP 47K 5% 1/16W (1608)
R137-140	1-216-805-11	s	METAL, CHIP 47 5% 1/16W (1608)
R141	*7 1-216-823-11	s	METAL, CHIP 1.5K 5% 1/16W (1608)
	*6 1-216-820-11	s	METAL, CHIP 820 5% 1/16W (1608)
R142	1-216-813-11	s	METAL, CHIP 220 5% 1/16W (1608)
R143	*7 1-216-823-11	s	METAL, CHIP 1.5K 5% 1/16W (1608)
	*6 1-216-821-11	s	METAL, CHIP 1.0K 5% 1/16W (1608)
R144	1-216-813-11	s	METAL, CHIP 220 5% 1/16W (1608)
R145	1-216-805-11	s	METAL, CHIP 47 5% 1/16W (1608)
R146	1-216-833-11	s	METAL, CHIP 10K 5% 1/16W (1608)
R147	1-216-805-11	s	METAL, CHIP 47 5% 1/16W (1608)
R148	1-216-828-11	s	METAL, CHIP 3.9K 5% 1/16W (1608)
R149	1-216-826-11	s	METAL, CHIP 2.7K 5% 1/16W (1608)
R150	1-216-830-11	s	METAL, CHIP 5.6K 5% 1/16W (1608)
R151	1-216-815-11	s	METAL, CHIP 330 5% 1/16W (1608)
R152	1-216-805-11	s	METAL, CHIP 47 5% 1/16W (1608)
R153	1-216-828-11	s	METAL, CHIP 3.9K 5% 1/16W (1608)
R154	1-216-826-11	s	METAL, CHIP 2.7K 5% 1/16W (1608)
R155	1-216-830-11	s	METAL, CHIP 5.6K 5% 1/16W (1608)
R156	1-216-815-11	s	METAL, CHIP 330 5% 1/16W (1608)
R157	1-216-805-11	s	METAL, CHIP 47 5% 1/16W (1608)
R201	1-216-833-11	s	METAL, CHIP 10K 5% 1/16W (1608)
R202	1-216-833-11	s	METAL, CHIP 10K 5% 1/16W (1608)
R203	1-216-805-11	s	METAL, CHIP 47 5% 1/16W (1608)
R204	1-216-805-11	s	METAL, CHIP 47 5% 1/16W (1608)
R206	1-216-817-11	s	METAL, CHIP 470 5% 1/16W (1608)
R207	1-216-821-11	s	METAL, CHIP 1.0K 5% 1/16W (1608)
R208	1-216-805-11	s	METAL, CHIP 47 5% 1/16W (1608)
R209	1-216-817-11	s	METAL, CHIP 470 5% 1/16W (1608)
R210	1-216-821-11	s	METAL, CHIP 1.0K 5% 1/16W (1608)
R211	1-216-805-11	s	METAL, CHIP 47 5% 1/16W (1608)
R212	1-216-829-11	s	METAL, CHIP 4.7K 5% 1/16W (1608)
R213	1-216-829-11	s	METAL, CHIP 4.7K 5% 1/16W (1608)
R216	*5 1-218-670-11	s	METAL, CHIP 120 0.5% 1/16W (1608)
	*3 1-216-809-11	s	METAL, CHIP 100 5% 1/16W (1608)
R217	*5 1-218-670-11	s	METAL, CHIP 120 0.5% 1/16W (1608)
	*3 1-216-809-11	s	METAL, CHIP 100 5% 1/16W (1608)
R218	1-216-833-11	s	METAL, CHIP 10K 5% 1/16W (1608)
R219	1-216-805-11	s	METAL, CHIP 47 5% 1/16W (1608)
R220-223	1-218-661-11	s	METAL, CHIP 51 0.5% 1/16W (1608)
R224	1-216-805-11	s	METAL, CHIP 47 5% 1/16W (1608)
R225	1-216-805-11	s	METAL, CHIP 47 5% 1/16W (1608)
R227-230	1-218-720-11	s	METAL, CHIP 15K 0.5% 1/16W (1608)
R232	*3 1-216-817-11	s	METAL, CHIP 470 5% 1/16W (1608)
R233	1-216-817-11	s	METAL, CHIP 470 5% 1/16W (1608)
R234	*3 1-216-821-11	s	METAL, CHIP 1.0K 5% 1/16W (1608)

\*3: Board No. suffix 22 only  
\*6: LOT No. 302 through 306

Ref. No. or Q'ty	Part No.	SP	Description
R235	1-216-821-11	s	METAL, CHIP 1.0K 5% 1/16W (1608)
R236	*3 1-216-805-11	s	METAL, CHIP 47 5% 1/16W (1608)
R237	1-216-805-11	s	METAL, CHIP 47 5% 1/16W (1608)
R238-241	1-218-716-11	s	METAL, CHIP 10K 0.5% 1/16W (1608)
R242	1-216-821-11	s	METAL, CHIP 1.0K 5% 1/16W (1608)
R243	1-216-821-11	s	METAL, CHIP 1.0K 5% 1/16W (1608)
R244	1-216-833-11	s	METAL, CHIP 10K 5% 1/16W (1608)
R245	1-216-833-11	s	METAL, CHIP 10K 5% 1/16W (1608)
R246	1-216-815-11	s	METAL, CHIP 330 5% 1/16W (1608)
R247	1-216-825-11	s	METAL, CHIP 2.2K 5% 1/16W (1608)
R248	1-216-809-11	s	METAL, CHIP 100 5% 1/16W (1608)
R249	1-216-815-11	s	METAL, CHIP 330 5% 1/16W (1608)
R250	1-216-825-11	s	METAL, CHIP 2.2K 5% 1/16W (1608)
R251	1-216-809-11	s	METAL, CHIP 100 5% 1/16W (1608)
R400	1-216-821-11	s	METAL, CHIP 1.0K 5% 1/16W (1608)
R401	1-216-833-11	s	METAL, CHIP 10K 5% 1/16W (1608)
R402	1-216-805-11	s	METAL, CHIP 47 5% 1/16W (1608)
R403	1-216-833-11	s	METAL, CHIP 10K 5% 1/16W (1608)
R404	1-216-841-11	s	METAL, CHIP 47K 5% 1/16W (1608)
R405	1-216-789-11	s	METAL, CHIP 2.2 5% 1/16W (1608)
R406	1-216-825-11	s	METAL, CHIP 2.2K 5% 1/16W (1608)
R407	1-216-805-11	s	METAL, CHIP 47 5% 1/16W (1608)
R408	1-216-826-11	s	METAL, CHIP 2.7K 5% 1/16W (1608)
R409	*5 1-218-866-11	s	METAL, CHIP 6.2K 0.5% 1/16W (1608)
R410	1-216-803-11	s	METAL, CHIP 33 5% 1/16W (1608)
R411	*5 1-218-881-11	s	METAL, CHIP 27K 0.5% 1/16W (1608)
R412	1-216-805-11	s	METAL, CHIP 47 5% 1/16W (1608)
R413	1-216-809-11	s	METAL, CHIP 100 5% 1/16W (1608)
R414	1-216-819-11	s	METAL, CHIP 680 5% 1/16W (1608)
R415	1-216-811-11	s	METAL, CHIP 150 5% 1/16W (1608)
R416	1-216-789-11	s	METAL, CHIP 2.2 5% 1/16W (1608)
R417	1-218-668-11	s	METAL, CHIP 100 0.5% 1/16W (1608)
R418	1-218-680-11	s	METAL, CHIP 330 0.5% 1/16W (1608)
R419	1-216-821-11	s	METAL, CHIP 1.0K 5% 1/16W (1608)
R420	1-216-809-11	s	METAL, CHIP 100 5% 1/16W (1608)
R421	1-216-809-11	s	METAL, CHIP 100 5% 1/16W (1608)
R423	1-216-805-11	s	METAL, CHIP 47 5% 1/16W (1608)
R424	1-216-819-11	s	METAL, CHIP 680 5% 1/16W (1608)
R426	1-218-676-11	s	METAL, CHIP 220 0.5% 1/16W (1608)
R427	*5 1-218-688-11	s	METAL, CHIP 680 0.5% 1/16W (1608)
R428	1-218-676-11	s	METAL, CHIP 220 0.5% 1/16W (1608)
R429	1-216-809-11	s	METAL, CHIP 100 5% 1/16W (1608)
R430	1-218-676-11	s	METAL, CHIP 220 0.5% 1/16W (1608)
R431	1-218-676-11	s	METAL, CHIP 220 0.5% 1/16W (1608)
R432	1-218-680-11	s	METAL, CHIP 330 0.5% 1/16W (1608)
R433	1-216-825-11	s	METAL, CHIP 2.2K 5% 1/16W (1608)
R434	1-216-815-11	s	METAL, CHIP 330 5% 1/16W (1608)
R435	1-218-680-11	s	METAL, CHIP 330 0.5% 1/16W (1608)
R436	*5 1-218-881-11	s	METAL, CHIP 27K 0.5% 1/16W (1608)
R437	1-218-700-11	s	METAL, CHIP 2.2K 0.5% 1/16W (1608)
R438	1-216-809-11	s	METAL, CHIP 100 5% 1/16W (1608)
R439	1-216-805-11	s	METAL, CHIP 47 5% 1/16W (1608)
R440	1-216-825-11	s	METAL, CHIP 2.2K 5% 1/16W (1608)
R441	1-218-842-11	s	METAL, CHIP 620 0.5% 1/16W (1608)
R442	1-218-676-11	s	METAL, CHIP 220 0.5% 1/16W (1608)
R443	1-218-680-11	s	METAL, CHIP 330 0.5% 1/16W (1608)

\*5: Board No. suffix 23 or higher  
\*7: LOT No. 307 or higher

(EQ-45 BOARD for DVW-500P, LOT No. 302 through 001)

(EQ-45 BOARD for DVW-500P, LOT No. 302 through 001)

Ref. No. or Q'ty	Part No.	SP Description
R444	1-216-805-11	s METAL, CHIP 47 5% 1/16W (1608)
R445	1-216-817-11	s METAL, CHIP 470 5% 1/16W (1608)
R446	1-218-664-11	s METAL, CHIP 68 0.5% 1/16W (1608)
R447	1-218-740-11	s METAL, CHIP 100K 0.5% 1/16W (1608)
R448	1-216-841-11	s METAL, CHIP 47K 5% 1/16W (1608)
R449	1-216-841-11	s METAL, CHIP 47K 5% 1/16W (1608)
R451	1-216-809-11	s METAL, CHIP 100 5% 1/16W (1608)
R452	1-216-821-11	s METAL, CHIP 1.0K 5% 1/16W (1608)
R453	1-216-821-11	s METAL, CHIP 1.0K 5% 1/16W (1608)
R454	1-216-815-11	s METAL, CHIP 330 5% 1/16W (1608)
R455	1-218-700-11	s METAL, CHIP 2.2K 0.5% 1/16W (1608)
R456	1-218-692-11	s METAL, CHIP 1.0K 0.5% 1/16W (1608)
R458	1-218-692-11	s METAL, CHIP 1.0K 0.5% 1/16W (1608)
R459	*3 1-216-809-11	s METAL, CHIP 100 5% 1/16W (1608)
R460	*3 1-216-821-11	s METAL, CHIP 1.0K 5% 1/16W (1608)
R462	1-216-819-11	s METAL, CHIP 680 5% 1/16W (1608)
R463	1-216-815-11	s METAL, CHIP 330 5% 1/16W (1608)
R464	1-216-821-11	s METAL, CHIP 1.0K 5% 1/16W (1608)
R465	1-216-805-11	s METAL, CHIP 47 5% 1/16W (1608)
R466	1-216-821-11	s METAL, CHIP 1.0K 5% 1/16W (1608)
R467	1-216-821-11	s METAL, CHIP 1.0K 5% 1/16W (1608)
R469	*3 1-216-837-11	s METAL, CHIP 22K 5% 1/16W (1608)
R472	1-218-676-11	s METAL, CHIP 220 0.5% 1/16W (1608)
R473	1-218-676-11	s METAL, CHIP 220 0.5% 1/16W (1608)
R474	1-218-842-11	s METAL, CHIP 620 0.5% 1/16W (1608)
R475	1-216-805-11	s METAL, CHIP 47 5% 1/16W (1608)
R476	1-218-700-11	s METAL, CHIP 2.2K 0.5% 1/16W (1608)
R477	1-216-809-11	s METAL, CHIP 100 5% 1/16W (1608)
R478	1-218-676-11	s METAL, CHIP 220 0.5% 1/16W (1608)
R479	1-218-675-11	s METAL, CHIP 200 0.5% 1/16W (1608)
R480	1-216-817-11	s METAL, CHIP 470 5% 1/16W (1608)
R481	1-218-672-11	s METAL, CHIP 150 0.5% 1/16W (1608)
R482	1-216-817-11	s METAL, CHIP 470 5% 1/16W (1608)
R483	1-216-805-11	s METAL, CHIP 47 5% 1/16W (1608)
R484	*5 1-218-707-11	s METAL, CHIP 4.3K 0.5% 1/16W (1608)
	*3 1-215-436-00	s METAL 4.3K 1% 1/4W
R500	1-216-821-11	s METAL, CHIP 1.0K 5% 1/16W (1608)
R503	1-216-833-11	s METAL, CHIP 10K 5% 1/16W (1608)
R504	1-216-841-11	s METAL, CHIP 47K 5% 1/16W (1608)
R505	1-216-789-11	s METAL, CHIP 2.2 5% 1/16W (1608)
R506	1-216-825-11	s METAL, CHIP 2.2K 5% 1/16W (1608)
R507	1-216-805-11	s METAL, CHIP 47 5% 1/16W (1608)
R508	1-216-826-11	s METAL, CHIP 2.7K 5% 1/16W (1608)
R509	*5 1-218-866-11	s METAL, CHIP 6.2K 0.5% 1/16W (1608)
R510	1-216-803-11	s METAL, CHIP 33 5% 1/16W (1608)
R511	*5 1-218-881-11	s METAL, CHIP 27K 0.5% 1/16W (1608)
R512	1-216-805-11	s METAL, CHIP 47 5% 1/16W (1608)
R513	1-216-809-11	s METAL, CHIP 100 5% 1/16W (1608)
R514	1-216-819-11	s METAL, CHIP 680 5% 1/16W (1608)
R515	1-216-811-11	s METAL, CHIP 150 5% 1/16W (1608)
R516	1-216-789-11	s METAL, CHIP 2.2 5% 1/16W (1608)
R517	1-218-668-11	s METAL, CHIP 100 0.5% 1/16W (1608)
R518	1-218-680-11	s METAL, CHIP 330 0.5% 1/16W (1608)
R519	1-216-821-11	s METAL, CHIP 1.0K 5% 1/16W (1608)
R520	1-216-809-11	s METAL, CHIP 100 5% 1/16W (1608)
R521	1-216-809-11	s METAL, CHIP 100 5% 1/16W (1608)

Ref. No. or Q'ty	Part No.	SP Description
R523	1-216-805-11	s METAL, CHIP 47 5% 1/16W (1608)
R524	1-216-819-11	s METAL, CHIP 680 5% 1/16W (1608)
R526	1-218-676-11	s METAL, CHIP 220 0.5% 1/16W (1608)
R527	*5 1-218-688-11	s METAL, CHIP 680 0.5% 1/16W (1608)
R528	1-218-676-11	s METAL, CHIP 220 0.5% 1/16W (1608)
R529	1-216-809-11	s METAL, CHIP 100 5% 1/16W (1608)
R530	1-218-676-11	s METAL, CHIP 220 0.5% 1/16W (1608)
R531	1-218-676-11	s METAL, CHIP 220 0.5% 1/16W (1608)
R532	1-218-680-11	s METAL, CHIP 330 0.5% 1/16W (1608)
R533	1-216-825-11	s METAL, CHIP 2.2K 5% 1/16W (1608)
R534	1-216-815-11	s METAL, CHIP 330 5% 1/16W (1608)
R535	1-218-680-11	s METAL, CHIP 330 0.5% 1/16W (1608)
R536	*5 1-218-881-11	s METAL, CHIP 27K 0.5% 1/16W (1608)
R537	1-218-700-11	s METAL, CHIP 2.2K 0.5% 1/16W (1608)
R538	1-216-809-11	s METAL, CHIP 100 5% 1/16W (1608)
R539	1-216-805-11	s METAL, CHIP 47 5% 1/16W (1608)
R540	1-216-825-11	s METAL, CHIP 2.2K 5% 1/16W (1608)
R541	1-218-842-11	s METAL, CHIP 620 0.5% 1/16W (1608)
R542	1-218-676-11	s METAL, CHIP 220 0.5% 1/16W (1608)
R543	1-218-680-11	s METAL, CHIP 330 0.5% 1/16W (1608)
R544	1-216-805-11	s METAL, CHIP 47 5% 1/16W (1608)
R545	1-216-817-11	s METAL, CHIP 470 5% 1/16W (1608)
R546	1-218-664-11	s METAL, CHIP 68 0.5% 1/16W (1608)
R547	1-218-740-11	s METAL, CHIP 100K 0.5% 1/16W (1608)
R548	1-216-841-11	s METAL, CHIP 47K 5% 1/16W (1608)
R549	1-216-841-11	s METAL, CHIP 47K 5% 1/16W (1608)
R551	1-216-809-11	s METAL, CHIP 100 5% 1/16W (1608)
R552	1-216-821-11	s METAL, CHIP 1.0K 5% 1/16W (1608)
R553	1-216-821-11	s METAL, CHIP 1.0K 5% 1/16W (1608)
R554	1-216-815-11	s METAL, CHIP 330 5% 1/16W (1608)
R555	1-218-700-11	s METAL, CHIP 2.2K 0.5% 1/16W (1608)
R556	1-218-692-11	s METAL, CHIP 1.0K 0.5% 1/16W (1608)
R558	1-218-692-11	s METAL, CHIP 1.0K 0.5% 1/16W (1608)
R559	*3 1-216-809-11	s METAL, CHIP 100 5% 1/16W (1608)
R560	*3 1-216-821-11	s METAL, CHIP 1.0K 5% 1/16W (1608)
R562	1-216-819-11	s METAL, CHIP 680 5% 1/16W (1608)
R563	1-216-815-11	s METAL, CHIP 330 5% 1/16W (1608)
R564	1-216-821-11	s METAL, CHIP 1.0K 5% 1/16W (1608)
R565	1-216-805-11	s METAL, CHIP 47 5% 1/16W (1608)
R566	1-216-821-11	s METAL, CHIP 1.0K 5% 1/16W (1608)
R567	1-216-821-11	s METAL, CHIP 1.0K 5% 1/16W (1608)
R569	*3 1-216-837-11	s METAL, CHIP 22K 5% 1/16W (1608)
R572	1-218-676-11	s METAL, CHIP 220 0.5% 1/16W (1608)
R573	1-218-676-11	s METAL, CHIP 220 0.5% 1/16W (1608)
R574	1-218-842-11	s METAL, CHIP 620 0.5% 1/16W (1608)
R575	1-216-805-11	s METAL, CHIP 47 5% 1/16W (1608)
R576	1-218-700-11	s METAL, CHIP 2.2K 0.5% 1/16W (1608)
R577	1-216-809-11	s METAL, CHIP 100 5% 1/16W (1608)
R578	1-218-676-11	s METAL, CHIP 220 0.5% 1/16W (1608)
R579	1-218-675-11	s METAL, CHIP 200 0.5% 1/16W (1608)
R580	1-216-817-11	s METAL, CHIP 470 5% 1/16W (1608)
R581	1-218-672-11	s METAL, CHIP 150 0.5% 1/16W (1608)
R582	1-216-817-11	s METAL, CHIP 470 5% 1/16W (1608)
R583	1-216-805-11	s METAL, CHIP 47 5% 1/16W (1608)
R584	*5 1-218-707-11	s METAL, CHIP 4.3K 0.5% 1/16W (1608)
	*3 1-215-436-00	s METAL 4.3K 1% 1/4W

\*3: Board No. suffix 22 only

\*5: Board No. suffix 23 or higher

(EQ-45 BOARD for DVW-500P, LOT No. 302 through 001)

(EQ-45 BOARD for DVW-500P, LOT No. 302 through 001)

Ref. No. or Q'ty	Part No.	SP	Description
R600	1-216-821-11	s	METAL, CHIP 1.0K 5% 1/16W (1608)
R601	1-216-833-11	s	METAL, CHIP 10K 5% 1/16W (1608)
R602	1-216-805-11	s	METAL, CHIP 47 5% 1/16W (1608)
R603	1-216-833-11	s	METAL, CHIP 10K 5% 1/16W (1608)
R604	1-216-841-11	s	METAL, CHIP 47K 5% 1/16W (1608)
R605	1-216-789-11	s	METAL, CHIP 2.2 5% 1/16W (1608)
R606	1-216-825-11	s	METAL, CHIP 2.2K 5% 1/16W (1608)
R607	1-216-805-11	s	METAL, CHIP 47 5% 1/16W (1608)
R608	1-216-826-11	s	METAL, CHIP 2.7K 5% 1/16W (1608)
R609	*5 1-218-866-11	s	METAL, CHIP 6.2K 0.5% 1/16W (1608)
R610	1-216-803-11	s	METAL, CHIP 33 5% 1/16W (1608)
R611	*5 1-218-881-11	s	METAL, CHIP 27K 0.5% 1/16W (1608)
R612	1-216-805-11	s	METAL, CHIP 47 5% 1/16W (1608)
R613	1-216-809-11	s	METAL, CHIP 100 5% 1/16W (1608)
R614	1-216-819-11	s	METAL, CHIP 680 5% 1/16W (1608)
R615	1-216-811-11	s	METAL, CHIP 150 5% 1/16W (1608)
R616	1-216-789-11	s	METAL, CHIP 2.2 5% 1/16W (1608)
R617	1-218-668-11	s	METAL, CHIP 100 0.5% 1/16W (1608)
R618	1-218-680-11	s	METAL, CHIP 330 0.5% 1/16W (1608)
R619	1-216-821-11	s	METAL, CHIP 1.0K 5% 1/16W (1608)
R620	1-216-809-11	s	METAL, CHIP 100 5% 1/16W (1608)
R621	1-216-809-11	s	METAL, CHIP 100 5% 1/16W (1608)
R623	1-216-805-11	s	METAL, CHIP 47 5% 1/16W (1608)
R624	1-216-819-11	s	METAL, CHIP 680 5% 1/16W (1608)
R626	1-218-676-11	s	METAL, CHIP 220 0.5% 1/16W (1608)
R627	*5 1-218-688-11	s	METAL, CHIP 680 0.5% 1/16W (1608)
R628	1-218-676-11	s	METAL, CHIP 220 0.5% 1/16W (1608)
R629	1-216-809-11	s	METAL, CHIP 100 5% 1/16W (1608)
R630	1-218-676-11	s	METAL, CHIP 220 0.5% 1/16W (1608)
R631	1-218-676-11	s	METAL, CHIP 220 0.5% 1/16W (1608)
R632	1-218-680-11	s	METAL, CHIP 330 0.5% 1/16W (1608)
R633	1-216-825-11	s	METAL, CHIP 2.2K 5% 1/16W (1608)
R634	1-216-815-11	s	METAL, CHIP 330 5% 1/16W (1608)
R635	1-218-680-11	s	METAL, CHIP 330 0.5% 1/16W (1608)
R636	*5 1-218-881-11	s	METAL, CHIP 27K 0.5% 1/16W (1608)
R637	1-218-700-11	s	METAL, CHIP 2.2K 0.5% 1/16W (1608)
R638	1-216-809-11	s	METAL, CHIP 100 5% 1/16W (1608)
R639	1-216-805-11	s	METAL, CHIP 47 5% 1/16W (1608)
R640	1-216-825-11	s	METAL, CHIP 2.2K 5% 1/16W (1608)
R641	1-218-842-11	s	METAL, CHIP 620 0.5% 1/16W (1608)
R642	1-218-676-11	s	METAL, CHIP 220 0.5% 1/16W (1608)
R643	1-218-680-11	s	METAL, CHIP 330 0.5% 1/16W (1608)
R644	1-216-805-11	s	METAL, CHIP 47 5% 1/16W (1608)
R645	1-216-817-11	s	METAL, CHIP 470 5% 1/16W (1608)
R646	1-218-664-11	s	METAL, CHIP 68 0.5% 1/16W (1608)
R647	1-218-740-11	s	METAL, CHIP 100K 0.5% 1/16W (1608)
R648	1-216-841-11	s	METAL, CHIP 47K 5% 1/16W (1608)
R649	1-216-841-11	s	METAL, CHIP 47K 5% 1/16W (1608)
R651	1-216-809-11	s	METAL, CHIP 100 5% 1/16W (1608)
R652	1-216-821-11	s	METAL, CHIP 1.0K 5% 1/16W (1608)
R653	1-216-821-11	s	METAL, CHIP 1.0K 5% 1/16W (1608)
R654	1-216-815-11	s	METAL, CHIP 330 5% 1/16W (1608)
R655	1-218-700-11	s	METAL, CHIP 2.2K 0.5% 1/16W (1608)
R656	1-218-692-11	s	METAL, CHIP 1.0K 0.5% 1/16W (1608)
R658	1-218-692-11	s	METAL, CHIP 1.0K 0.5% 1/16W (1608)
R662	1-216-819-11	s	METAL, CHIP 680 5% 1/16W (1608)

Ref. No. or Q'ty	Part No.	SP	Description
R663	1-216-815-11	s	METAL, CHIP 330 5% 1/16W (1608)
R664	1-216-821-11	s	METAL, CHIP 1.0K 5% 1/16W (1608)
R665	1-216-805-11	s	METAL, CHIP 47 5% 1/16W (1608)
R666	1-216-821-11	s	METAL, CHIP 1.0K 5% 1/16W (1608)
R667	1-216-821-11	s	METAL, CHIP 1.0K 5% 1/16W (1608)
R669	*3 1-216-837-11	s	METAL, CHIP 22K 5% 1/16W (1608)
R672	1-218-676-11	s	METAL, CHIP 220 0.5% 1/16W (1608)
R673	1-218-676-11	s	METAL, CHIP 220 0.5% 1/16W (1608)
R674	1-218-842-11	s	METAL, CHIP 620 0.5% 1/16W (1608)
R675	1-216-805-11	s	METAL, CHIP 47 5% 1/16W (1608)
R676	1-218-700-11	s	METAL, CHIP 2.2K 0.5% 1/16W (1608)
R677	1-216-809-11	s	METAL, CHIP 100 5% 1/16W (1608)
R678	1-218-676-11	s	METAL, CHIP 220 0.5% 1/16W (1608)
R679	1-218-675-11	s	METAL, CHIP 200 0.5% 1/16W (1608)
R680	1-216-817-11	s	METAL, CHIP 470 5% 1/16W (1608)
R681	1-218-672-11	s	METAL, CHIP 150 0.5% 1/16W (1608)
R682	1-216-817-11	s	METAL, CHIP 470 5% 1/16W (1608)
R683	1-216-805-11	s	METAL, CHIP 47 5% 1/16W (1608)
R684	*5 1-218-707-11	s	METAL, CHIP 4.3K 0.5% 1/16W (1608)
	*3 1-215-436-00	s	METAL 4.3K 1% 1/4W
R700	1-216-821-11	s	METAL, CHIP 1.0K 5% 1/16W (1608)
R703	1-216-833-11	s	METAL, CHIP 10K 5% 1/16W (1608)
R704	1-216-841-11	s	METAL, CHIP 47K 5% 1/16W (1608)
R705	1-216-789-11	s	METAL, CHIP 2.2 5% 1/16W (1608)
R706	1-216-825-11	s	METAL, CHIP 2.2K 5% 1/16W (1608)
R707	1-216-805-11	s	METAL, CHIP 47 5% 1/16W (1608)
R708	1-216-826-11	s	METAL, CHIP 2.7K 5% 1/16W (1608)
R709	*5 1-218-866-11	s	METAL, CHIP 6.2K 0.5% 1/16W (1608)
R710	1-216-803-11	s	METAL, CHIP 33 5% 1/16W (1608)
R711	*5 1-218-881-11	s	METAL, CHIP 27K 0.5% 1/16W (1608)
R712	1-216-805-11	s	METAL, CHIP 47 5% 1/16W (1608)
R713	1-216-809-11	s	METAL, CHIP 100 5% 1/16W (1608)
R714	1-216-819-11	s	METAL, CHIP 680 5% 1/16W (1608)
R715	1-216-811-11	s	METAL, CHIP 150 5% 1/16W (1608)
R716	1-216-789-11	s	METAL, CHIP 2.2 5% 1/16W (1608)
R717	1-218-668-11	s	METAL, CHIP 100 0.5% 1/16W (1608)
R718	1-218-680-11	s	METAL, CHIP 330 0.5% 1/16W (1608)
R719	1-216-821-11	s	METAL, CHIP 1.0K 5% 1/16W (1608)
R720	1-216-809-11	s	METAL, CHIP 100 5% 1/16W (1608)
R721	1-216-809-11	s	METAL, CHIP 100 5% 1/16W (1608)
R723	1-216-805-11	s	METAL, CHIP 47 5% 1/16W (1608)
R724	1-216-819-11	s	METAL, CHIP 680 5% 1/16W (1608)
R726	1-218-676-11	s	METAL, CHIP 220 0.5% 1/16W (1608)
R727	*5 1-218-688-11	s	METAL, CHIP 680 0.5% 1/16W (1608)
R728	1-218-676-11	s	METAL, CHIP 220 0.5% 1/16W (1608)
R729	1-216-809-11	s	METAL, CHIP 100 5% 1/16W (1608)
R730	1-218-676-11	s	METAL, CHIP 220 0.5% 1/16W (1608)
R731	1-218-676-11	s	METAL, CHIP 220 0.5% 1/16W (1608)
R732	1-218-680-11	s	METAL, CHIP 330 0.5% 1/16W (1608)
R733	1-216-825-11	s	METAL, CHIP 2.2K 5% 1/16W (1608)
R734	1-216-815-11	s	METAL, CHIP 330 5% 1/16W (1608)
R735	1-218-680-11	s	METAL, CHIP 330 0.5% 1/16W (1608)
R736	*5 1-218-881-11	s	METAL, CHIP 27K 0.5% 1/16W (1608)
R737	1-218-700-11	s	METAL, CHIP 2.2K 0.5% 1/16W (1608)
R738	1-216-809-11	s	METAL, CHIP 100 5% 1/16W (1608)
R739	1-216-805-11	s	METAL, CHIP 47 5% 1/16W (1608)

\*3: Board No. suffix 22 only

\*5: Board No. suffix 23 or higher

(EQ-45 BOARD for DVW-500P, LOT No. 302 through 001)

(EQ-45 BOARD for DVW-500P, LOT No. 302 through 001)

Ref. No. or Q'ty	Part No.	SP Description
R740	1-216-825-11	s METAL, CHIP 2.2K 5% 1/16W (1608)
R741	1-218-842-11	s METAL, CHIP 620 0.5% 1/16W (1608)
R742	1-218-676-11	s METAL, CHIP 220 0.5% 1/16W (1608)
R743	1-218-680-11	s METAL, CHIP 330 0.5% 1/16W (1608)
R744	1-216-805-11	s METAL, CHIP 47 5% 1/16W (1608)
R745	1-216-817-11	s METAL, CHIP 470 5% 1/16W (1608)
R746	1-218-664-11	s METAL, CHIP 68 0.5% 1/16W (1608)
R747	1-218-740-11	s METAL, CHIP 100K 0.5% 1/16W (1608)
R748	1-216-841-11	s METAL, CHIP 47K 5% 1/16W (1608)
R749	1-216-841-11	s METAL, CHIP 47K 5% 1/16W (1608)
R751	1-216-809-11	s METAL, CHIP 100 5% 1/16W (1608)
R752	1-216-821-11	s METAL, CHIP 1.0K 5% 1/16W (1608)
R753	1-216-821-11	s METAL, CHIP 1.0K 5% 1/16W (1608)
R754	1-216-815-11	s METAL, CHIP 330 5% 1/16W (1608)
R755	1-218-700-11	s METAL, CHIP 2.2K 0.5% 1/16W (1608)
R756	1-218-692-11	s METAL, CHIP 1.0K 0.5% 1/16W (1608)
R758	1-218-692-11	s METAL, CHIP 1.0K 0.5% 1/16W (1608)
R762	1-216-819-11	s METAL, CHIP 680 5% 1/16W (1608)
R763	1-216-815-11	s METAL, CHIP 330 5% 1/16W (1608)
R764	1-216-821-11	s METAL, CHIP 1.0K 5% 1/16W (1608)
R765	1-216-805-11	s METAL, CHIP 47 5% 1/16W (1608)
R766	1-216-821-11	s METAL, CHIP 1.0K 5% 1/16W (1608)
R767	1-216-821-11	s METAL, CHIP 1.0K 5% 1/16W (1608)
R769	*3 1-216-837-11	s METAL, CHIP 22K 5% 1/16W (1608)
R772	1-218-676-11	s METAL, CHIP 220 0.5% 1/16W (1608)
R773	1-218-676-11	s METAL, CHIP 220 0.5% 1/16W (1608)
R774	1-218-842-11	s METAL, CHIP 620 0.5% 1/16W (1608)
R775	1-216-805-11	s METAL, CHIP 47 5% 1/16W (1608)
R776	1-218-700-11	s METAL, CHIP 2.2K 0.5% 1/16W (1608)
R777	1-216-809-11	s METAL, CHIP 100 5% 1/16W (1608)
R778	1-218-676-11	s METAL, CHIP 220 0.5% 1/16W (1608)
R779	1-218-675-11	s METAL, CHIP 200 0.5% 1/16W (1608)
R780	1-216-817-11	s METAL, CHIP 470 5% 1/16W (1608)
R781	1-218-672-11	s METAL, CHIP 150 0.5% 1/16W (1608)
R782	1-216-817-11	s METAL, CHIP 470 5% 1/16W (1608)
R783	1-216-805-11	s METAL, CHIP 47 5% 1/16W (1608)
R784	*5 1-218-707-11	s METAL, CHIP 4.3K 0.5% 1/16W (1608)
	*3 1-215-436-00	s METAL 4.3K 1% 1/4W
R801	1-218-692-11	s METAL, CHIP 1.0K 0.5% 1/16W (1608)
R802	1-218-732-11	s METAL, CHIP 47K 0.5% 1/16W (1608)
R803	*5 1-218-874-11	s METAL, CHIP 13K 0.5% 1/16W (1608)
R804	*5 1-218-867-11	s METAL, CHIP 6.8K 0.5% 1/16W (1608)
R805	1-218-720-11	s METAL, CHIP 15K 0.5% 1/16W (1608)
R806-808	1-216-805-11	s METAL, CHIP 47 5% 1/16W (1608)
R810	1-218-702-11	s METAL, CHIP 2.7K 0.5% 1/16W (1608)
R811-816	1-216-805-11	s METAL, CHIP 47 5% 1/16W (1608)
R817	1-218-874-11	s METAL, CHIP 13K 0.5% 1/16W (1608)
R818	1-216-805-11	s METAL, CHIP 47 5% 1/16W (1608)
R819	1-211-977-11	s METAL, CHIP 22 0.5% 1/16W (1608)
R820	1-218-867-11	s METAL, CHIP 6.8K 0.5% 1/16W (1608)
R821	1-216-819-11	s METAL, CHIP 680 5% 1/16W (1608)
R822	1-216-825-11	s METAL, CHIP 2.2K 5% 1/16W (1608)
R823	1-216-819-11	s METAL, CHIP 680 5% 1/16W (1608)
R824	1-218-874-11	s METAL, CHIP 13K 0.5% 1/16W (1608)
R825	1-218-874-11	s METAL, CHIP 13K 0.5% 1/16W (1608)
R826	1-218-733-11	s METAL, CHIP 51K 0.5% 1/16W (1608)

Ref. No. or Q'ty	Part No.	SP Description
R827	1-218-867-11	s METAL, CHIP 6.8K 0.5% 1/16W (1608)
R828	1-218-702-11	s METAL, CHIP 2.7K 0.5% 1/16W (1608)
R829	1-218-844-11	s METAL, CHIP 750 0.5% 1/16W (1608)
R830	1-216-825-11	s METAL, CHIP 2.2K 5% 1/16W (1608)
R831	1-218-716-11	s METAL, CHIP 10K 0.5% 1/16W (1608)
R832	1-218-679-91	s METAL, CHIP 300 0.5% 1/16W (1608)
R833	1-218-694-11	s METAL, CHIP 1.2K 0.5% 1/16W (1608)
R834	1-218-663-11	s METAL, CHIP 62 0.5% 1/16W (1608)
R835-837	1-218-716-11	s METAL, CHIP 10K 0.5% 1/16W (1608)
R838	1-216-817-11	s METAL, CHIP 470 5% 1/16W (1608)
R839	1-218-692-11	s METAL, CHIP 1.0K 0.5% 1/16W (1608)
R840	1-218-732-11	s METAL, CHIP 47K 0.5% 1/16W (1608)
R841	*5 1-218-717-11	s METAL, CHIP 11K 0.5% 1/16W (1608)
R842	*5 1-218-867-11	s METAL, CHIP 6.8K 0.5% 1/16W (1608)
R843	1-218-874-11	s METAL, CHIP 13K 0.5% 1/16W (1608)
R844	1-218-702-11	s METAL, CHIP 2.7K 0.5% 1/16W (1608)
R845	1-218-844-11	s METAL, CHIP 750 0.5% 1/16W (1608)
R846	1-218-752-11	s METAL, CHIP 330K 0.5% 1/16W (1608)
R848	1-218-702-11	s METAL, CHIP 2.7K 0.5% 1/16W (1608)
R849	1-218-752-11	s METAL, CHIP 330K 0.5% 1/16W (1608)
R850	*5 1-216-837-11	s METAL, CHIP 22K 5% 1/16W (1608)
R851	*5 1-216-837-11	s METAL, CHIP 22K 5% 1/16W (1608)
R854	1-216-805-11	s METAL, CHIP 47 5% 1/16W (1608)
R855	1-218-874-11	s METAL, CHIP 13K 0.5% 1/16W (1608)
R856	1-218-714-11	s METAL, CHIP 8.2K 0.5% 1/16W (1608)
R857	1-211-977-11	s METAL, CHIP 22 0.5% 1/16W (1608)
R858	1-218-714-11	s METAL, CHIP 8.2K 0.5% 1/16W (1608)
R859	1-216-819-11	s METAL, CHIP 680 5% 1/16W (1608)
R860	1-216-825-11	s METAL, CHIP 2.2K 5% 1/16W (1608)
R861	1-216-819-11	s METAL, CHIP 680 5% 1/16W (1608)
R862	1-216-805-11	s METAL, CHIP 47 5% 1/16W (1608)
R863	*5 1-216-837-11	s METAL, CHIP 22K 5% 1/16W (1608)
	*3 1-216-797-11	s METAL, CHIP 10 5% 1/16W (1608)
R864	1-218-733-11	s METAL, CHIP 51K 0.5% 1/16W (1608)
R865	*5 1-216-837-11	s METAL, CHIP 22K 5% 1/16W (1608)
	*3 1-216-797-11	s METAL, CHIP 10 5% 1/16W (1608)
R866	*5 1-218-697-11	s METAL, CHIP 1.6K 0.5% 1/16W (1608)
	*3 1-216-797-11	s METAL, CHIP 10 5% 1/16W (1608)
R867	*5 1-218-716-11	s METAL, CHIP 10K 0.5% 1/16W (1608)
	*3 1-216-797-11	s METAL, CHIP 10 5% 1/16W (1608)
R868	1-216-825-11	s METAL, CHIP 2.2K 5% 1/16W (1608)
R869	1-218-716-11	s METAL, CHIP 10K 0.5% 1/16W (1608)
R870	1-218-679-91	s METAL, CHIP 300 0.5% 1/16W (1608)
R871	1-218-694-11	s METAL, CHIP 1.2K 0.5% 1/16W (1608)
R872	1-218-663-11	s METAL, CHIP 62 0.5% 1/16W (1608)
R873-875	1-218-716-11	s METAL, CHIP 10K 0.5% 1/16W (1608)
R876	1-216-817-11	s METAL, CHIP 470 5% 1/16W (1608)
R877	1-216-805-11	s METAL, CHIP 47 5% 1/16W (1608)
R878	1-216-805-11	s METAL, CHIP 47 5% 1/16W (1608)
R879	*5 1-218-716-11	s METAL, CHIP 10K 0.5% 1/16W (1608)
	*3 1-216-797-11	s METAL, CHIP 10 5% 1/16W (1608)
R880	*5 1-216-837-11	s METAL, CHIP 22K 5% 1/16W (1608)
	*3 1-216-797-11	s METAL, CHIP 10 5% 1/16W (1608)
R881	*5 1-218-296-11	s METAL, CHIP 75K 5% 1/16W (1608)
	*3 1-216-797-11	s METAL, CHIP 10 5% 1/16W (1608)

\*3: Board No. suffix 22 only

\*5: Board No. suffix 23 or higher

(EQ-45 BOARD for DVW-500P, LOT No. 302 through 001)

(EQ-45 BOARD for DVW-500P, LOT No. 302 through 001)

Ref. No. or Q'ty	Part No.	SP	Description
R882	*5 1-218-716-11	s	METAL, CHIP 10K 0.5% 1/16W (1608)
	*3 1-216-797-11	s	METAL, CHIP 10 5% 1/16W (1608)
R883	*5 1-218-716-11	s	METAL, CHIP 10K 0.5% 1/16W (1608)
	*3 1-216-797-11	s	METAL, CHIP 10 5% 1/16W (1608)
R884	*5 1-216-837-11	s	METAL, CHIP 22K 5% 1/16W (1608)
	*3 1-216-797-11	s	METAL, CHIP 10 5% 1/16W (1608)
R885	1-216-817-11	s	METAL, CHIP 470 5% 1/16W (1608)
R886	1-216-817-11	s	METAL, CHIP 470 5% 1/16W (1608)
R887	1-216-837-11	s	METAL, CHIP 22K 5% 1/16W (1608)
R889	1-218-677-11	s	METAL, CHIP 240 0.5% 1/16W (1608)
R890	1-216-837-11	s	METAL, CHIP 22K 5% 1/16W (1608)
R891	1-218-677-11	s	METAL, CHIP 240 0.5% 1/16W (1608)
R895	1-218-732-11	s	METAL, CHIP 47K 0.5% 1/16W (1608)
R896	1-218-732-11	s	METAL, CHIP 47K 0.5% 1/16W (1608)
R897	1-218-864-11	s	METAL, CHIP 5.1K 0.5% 1/16W (1608)
R898	1-218-864-11	s	METAL, CHIP 5.1K 0.5% 1/16W (1608)
R899	*5 1-218-695-11	s	METAL, CHIP 1.3K 0.5% 1/16W (1608)
R901	1-218-692-11	s	METAL, CHIP 1.0K 0.5% 1/16W (1608)
R902	1-218-732-11	s	METAL, CHIP 47K 0.5% 1/16W (1608)
R903	*5 1-218-874-11	s	METAL, CHIP 13K 0.5% 1/16W (1608)
R904	*5 1-218-867-11	s	METAL, CHIP 6.8K 0.5% 1/16W (1608)
R905	1-218-720-11	s	METAL, CHIP 15K 0.5% 1/16W (1608)
R906-908	1-216-805-11	s	METAL, CHIP 47 5% 1/16W (1608)
R910	1-218-702-11	s	METAL, CHIP 2.7K 0.5% 1/16W (1608)
R911-916	1-216-805-11	s	METAL, CHIP 47 5% 1/16W (1608)
R917	1-218-874-11	s	METAL, CHIP 13K 0.5% 1/16W (1608)
R918	1-216-805-11	s	METAL, CHIP 47 5% 1/16W (1608)
R919	1-211-977-11	s	METAL, CHIP 22 0.5% 1/16W (1608)
R920	1-218-867-11	s	METAL, CHIP 6.8K 0.5% 1/16W (1608)
R921	1-216-819-11	s	METAL, CHIP 680 5% 1/16W (1608)
R922	1-216-825-11	s	METAL, CHIP 2.2K 5% 1/16W (1608)
R923	1-216-819-11	s	METAL, CHIP 680 5% 1/16W (1608)
R924	1-218-874-11	s	METAL, CHIP 13K 0.5% 1/16W (1608)
R925	1-218-874-11	s	METAL, CHIP 13K 0.5% 1/16W (1608)
R926	1-218-733-11	s	METAL, CHIP 51K 0.5% 1/16W (1608)
R927	1-218-867-11	s	METAL, CHIP 6.8K 0.5% 1/16W (1608)
R928	1-218-702-11	s	METAL, CHIP 2.7K 0.5% 1/16W (1608)
R929	1-218-844-11	s	METAL, CHIP 750 0.5% 1/16W (1608)
R930	1-216-825-11	s	METAL, CHIP 2.2K 5% 1/16W (1608)
R931	1-218-716-11	s	METAL, CHIP 10K 0.5% 1/16W (1608)
R932	1-218-679-91	s	METAL, CHIP 300 0.5% 1/16W (1608)
R933	1-218-694-11	s	METAL, CHIP 1.2K 0.5% 1/16W (1608)
R934	1-218-663-11	s	METAL, CHIP 62 0.5% 1/16W (1608)
R935-937	1-218-716-11	s	METAL, CHIP 10K 0.5% 1/16W (1608)
R938	1-216-817-11	s	METAL, CHIP 470 5% 1/16W (1608)
R939	1-218-692-11	s	METAL, CHIP 1.0K 0.5% 1/16W (1608)
R940	1-218-732-11	s	METAL, CHIP 47K 0.5% 1/16W (1608)
R941	*5 1-218-717-11	s	METAL, CHIP 11K 0.5% 1/16W (1608)
R942	*5 1-218-867-11	s	METAL, CHIP 6.8K 0.5% 1/16W (1608)
R943	1-218-874-11	s	METAL, CHIP 13K 0.5% 1/16W (1608)
R944	1-218-702-11	s	METAL, CHIP 2.7K 0.5% 1/16W (1608)
R945	1-218-844-11	s	METAL, CHIP 750 0.5% 1/16W (1608)
R946	1-218-752-11	s	METAL, CHIP 330K 0.5% 1/16W (1608)
R948	1-218-702-11	s	METAL, CHIP 2.7K 0.5% 1/16W (1608)
R949	1-218-752-11	s	METAL, CHIP 330K 0.5% 1/16W (1608)

\*3: Board No. suffix 22 only

Ref. No. or Q'ty	Part No.	SP	Description
R950	*5 1-216-837-11	s	METAL, CHIP 22K 5% 1/16W (1608)
R951	*5 1-216-837-11	s	METAL, CHIP 22K 5% 1/16W (1608)
R954	1-216-805-11	s	METAL, CHIP 47 5% 1/16W (1608)
R955	1-218-874-11	s	METAL, CHIP 13K 0.5% 1/16W (1608)
R956	1-218-714-11	s	METAL, CHIP 8.2K 0.5% 1/16W (1608)
R957	1-211-977-11	s	METAL, CHIP 22 0.5% 1/16W (1608)
R958	1-218-714-11	s	METAL, CHIP 8.2K 0.5% 1/16W (1608)
R959	1-216-819-11	s	METAL, CHIP 680 5% 1/16W (1608)
R960	1-216-825-11	s	METAL, CHIP 2.2K 5% 1/16W (1608)
R961	1-216-819-11	s	METAL, CHIP 680 5% 1/16W (1608)
R962	1-216-805-11	s	METAL, CHIP 47 5% 1/16W (1608)
R963	*5 1-216-837-11	s	METAL, CHIP 22K 5% 1/16W (1608)
	*3 1-216-797-11	s	METAL, CHIP 10 5% 1/16W (1608)
R964	1-218-733-11	s	METAL, CHIP 51K 0.5% 1/16W (1608)
R965	*5 1-216-837-11	s	METAL, CHIP 22K 5% 1/16W (1608)
	*3 1-216-797-11	s	METAL, CHIP 10 5% 1/16W (1608)
R966	*5 1-218-697-11	s	METAL, CHIP 1.6K 0.5% 1/16W (1608)
	*3 1-216-797-11	s	METAL, CHIP 10 5% 1/16W (1608)
R967	*5 1-218-716-11	s	METAL, CHIP 10K 0.5% 1/16W (1608)
	*3 1-216-797-11	s	METAL, CHIP 10 5% 1/16W (1608)
R968	1-216-825-11	s	METAL, CHIP 2.2K 5% 1/16W (1608)
R969	1-218-716-11	s	METAL, CHIP 10K 0.5% 1/16W (1608)
R970	1-218-679-91	s	METAL, CHIP 300 0.5% 1/16W (1608)
R971	1-218-694-11	s	METAL, CHIP 1.2K 0.5% 1/16W (1608)
R972	1-218-663-11	s	METAL, CHIP 62 0.5% 1/16W (1608)
R973-975	1-218-716-11	s	METAL, CHIP 10K 0.5% 1/16W (1608)
R976	1-216-817-11	s	METAL, CHIP 470 5% 1/16W (1608)
R977	1-216-805-11	s	METAL, CHIP 47 5% 1/16W (1608)
R978	1-216-805-11	s	METAL, CHIP 47 5% 1/16W (1608)
R979	*5 1-218-716-11	s	METAL, CHIP 10K 0.5% 1/16W (1608)
	*3 1-216-797-11	s	METAL, CHIP 10 5% 1/16W (1608)
R980	1-216-837-11	s	METAL, CHIP 22K 5% 1/16W (1608)
R981	*5 1-218-296-11	s	METAL, CHIP 75K 5% 1/16W (1608)
	*3 1-218-677-11	s	METAL, CHIP 240 0.5% 1/16W (1608)
R982	*5 1-218-716-11	s	METAL, CHIP 10K 0.5% 1/16W (1608)
R983	*5 1-218-716-11	s	METAL, CHIP 10K 0.5% 1/16W (1608)
R984	*5 1-216-837-11	s	METAL, CHIP 22K 5% 1/16W (1608)
R985	1-216-817-11	s	METAL, CHIP 470 5% 1/16W (1608)
R986	1-216-817-11	s	METAL, CHIP 470 5% 1/16W (1608)
R987	1-216-837-11	s	METAL, CHIP 22K 5% 1/16W (1608)
R989	1-218-677-11	s	METAL, CHIP 240 0.5% 1/16W (1608)
R990	*5 1-216-837-11	s	METAL, CHIP 22K 5% 1/16W (1608)
	*3 1-216-797-11	s	METAL, CHIP 10 5% 1/16W (1608)
R991	*5 1-218-677-11	s	METAL, CHIP 240 0.5% 1/16W (1608)
	*3 1-216-797-11	s	METAL, CHIP 10 5% 1/16W (1608)
R992	*3 1-216-797-11	s	METAL, CHIP 10 5% 1/16W (1608)
R993	*3 1-216-797-11	s	METAL, CHIP 10 5% 1/16W (1608)
R994	*3 1-216-797-11	s	METAL, CHIP 10 5% 1/16W (1608)
R995	1-218-732-11	s	METAL, CHIP 47K 0.5% 1/16W (1608)
R996	1-218-732-11	s	METAL, CHIP 47K 0.5% 1/16W (1608)
R997	1-218-864-11	s	METAL, CHIP 5.1K 0.5% 1/16W (1608)
R998	1-218-864-11	s	METAL, CHIP 5.1K 0.5% 1/16W (1608)
R999	*5 1-218-695-11	s	METAL, CHIP 1.3K 0.5% 1/16W (1608)
R8001	*5 1-218-296-11	s	METAL, CHIP 75K 5% 1/16W (1608)

\*5: Board No. suffix 23 or higher

(EQ-45 BOARD for DVW-500P, LOT No. 302 through 001)

Ref. No. or Q'ty	Part No.	SP Description
R8002 *5	1-216-841-11 s	METAL, CHIP 47K 5% 1/16W (1608)
R8003 *5	1-216-841-11 s	METAL, CHIP 47K 5% 1/16W (1608)
R9001 *5	1-218-296-11 s	METAL, CHIP 75K 5% 1/16W (1608)
RV401	1-237-031-11 s	RES, ADJ, CERMET 200
RV421	1-237-037-11 s	RES, ADJ, CERMET 20K
RV501	1-237-031-11 s	RES, ADJ, CERMET 200
RV521	1-237-037-11 s	RES, ADJ, CERMET 20K
RV601	1-237-031-11 s	RES, ADJ, CERMET 200
RV621	1-237-037-11 s	RES, ADJ, CERMET 20K
RV701	1-237-031-11 s	RES, ADJ, CERMET 200
RV721	1-237-037-11 s	RES, ADJ, CERMET 20K
RV801	1-237-036-11 s	RES, ADJ, CERMET 10K
RV802	1-237-033-11 s	RES, ADJ, CERMET 1K
RV803	1-237-036-11 s	RES, ADJ, CERMET 10K
RV804	1-237-033-11 s	RES, ADJ, CERMET 1K
RV901	1-237-036-11 s	RES, ADJ, CERMET 10K
RV902	1-237-033-11 s	RES, ADJ, CERMET 1K
RV903	1-237-036-11 s	RES, ADJ, CERMET 10K
RV904	1-237-033-11 s	RES, ADJ, CERMET 1K
RY401	1-515-936-21 s	RELAY TF2SA-5V
RY501	1-515-936-21 s	RELAY TF2SA-5V
RY601	1-515-936-21 s	RELAY TF2SA-5V
RY701	1-515-936-21 s	RELAY TF2SA-5V

EQ-45A BOARD for DVW-A500P/500P, LOT No. 002 or higher

*a:Lot No.	*f:Lot No.
*a:Lot No. 002	*f:Lot No. 072-
*b:Lot No. 003-071	*g:Lot No. 091-123
*c:Lot No. 002-003	*h:Lot No. 002-123
*d:Lot No. 004-	*i:Lot No. 072-123
*e:Lot No. 002-071	*j:Lot No. 124-

Ref. No. or Q'ty	Part No.	SP Description
1pc	A-8275-148-B o	MOUNTED CIRCUIT BOARD, EQ-45A
1pc	3-179-084-01 s	LEVER(R),PRINTED C.BOARD
2pcs	4-352-844-01 s	PIN, LEAD, COATING
1pc	3-179-085-01 s	LEVER(L),PRINTED C.BOARD
C100	1-162-970-11 s	CAPACITOR CERAMIC 0.01MF/25V B
C101	1-126-392-11 s	CAPACITOR,CHIP ELECT100MF/6.3V
C102	1-162-970-11 s	CAPACITOR CERAMIC 0.01MF/25V B
C103	1-162-970-11 s	CAPACITOR CERAMIC 0.01MF/25V B
C104	1-162-970-11 s	CAPACITOR CERAMIC 0.01MF/25V B
C105	1-162-970-11 s	CAPACITOR CERAMIC 0.01MF/25V B
C106	1-164-156-11 s	CAPACITOR,CERAMIC 0.1MF/25V F
C107	1-164-156-11 s	CAPACITOR,CERAMIC 0.1MF/25V F
C108	1-162-970-11 s	CAPACITOR CERAMIC 0.01MF/25V B
C109	1-162-970-11 s	CAPACITOR CERAMIC 0.01MF/25V B
C110	1-162-970-11 s	CAPACITOR CERAMIC 0.01MF/25V B
C111	1-162-970-11 s	CAPACITOR CERAMIC 0.01MF/25V B
C112	1-162-970-11 s	CAPACITOR CERAMIC 0.01MF/25V B
C113	1-162-970-11 s	CAPACITOR CERAMIC 0.01MF/25V B
C114	1-162-970-11 s	CAPACITOR CERAMIC 0.01MF/25V B
C115	1-162-970-11 s	CAPACITOR CERAMIC 0.01MF/25V B
C116	*j 1-126-394-11 s	CAPACITOR,ELECT 10MF/16V(CHIP)
	*h 1-126-399-11 s	CAPACITOR,ELECT 10MF/35V(CHIP)
C117	*j 1-126-394-11 s	CAPACITOR,ELECT 10MF/16V(CHIP)
	*h 1-126-399-11 s	CAPACITOR,ELECT 10MF/35V(CHIP)
C118	*j 1-126-394-11 s	CAPACITOR,ELECT 10MF/16V(CHIP)
	*h 1-126-399-11 s	CAPACITOR,ELECT 10MF/35V(CHIP)
C119	1-126-396-11 s	CAPACITOR,ELECT 47MF/16V(CHIP)
C120	1-126-392-11 s	CAPACITOR,CHIP ELECT100MF/6.3V
C121	1-126-392-11 s	CAPACITOR,CHIP ELECT100MF/6.3V
C122	1-162-970-11 s	CAPACITOR CERAMIC 0.01MF/25V B
C123	1-162-970-11 s	CAPACITOR CERAMIC 0.01MF/25V B
C124	1-162-970-11 s	CAPACITOR CERAMIC 0.01MF/25V B
C125	1-162-970-11 s	CAPACITOR CERAMIC 0.01MF/25V B
C126	1-162-970-11 s	CAPACITOR CERAMIC 0.01MF/25V B
C127	1-162-970-11 s	CAPACITOR CERAMIC 0.01MF/25V B
C128	1-164-156-11 s	CAPACITOR,CERAMIC 0.1MF/25V F
C129	1-126-396-11 s	CAPACITOR,ELECT 47MF/16V(CHIP)
C130	1-162-970-11 s	CAPACITOR CERAMIC 0.01MF/25V B
C131	1-162-970-11 s	CAPACITOR CERAMIC 0.01MF/25V B
C132	1-162-970-11 s	CAPACITOR CERAMIC 0.01MF/25V B
C239	1-164-156-11 s	CAPACITOR,CERAMIC 0.1MF/25V F
C240	1-162-970-11 s	CAPACITOR CERAMIC 0.01MF/25V B
C241	1-164-315-11 s	CAPACITOR,CERAMIC 470PF/50V CH
C242	1-164-315-11 s	CAPACITOR,CERAMIC 470PF/50V CH
C243	1-164-315-11 s	CAPACITOR,CERAMIC 470PF/50V CH
C244	1-164-315-11 s	CAPACITOR,CERAMIC 470PF/50V CH
C245	1-164-156-11 s	CAPACITOR,CERAMIC 0.1MF/25V F
C246	1-115-416-11 s	CAPACITOR,CERAMIC 1000PF/25V
C247	1-115-416-11 s	CAPACITOR,CERAMIC 1000PF/25V

\*5: Board No. suffix 23 or higher

(EQ-45A BOARD for DVW-A500P/500P, LOT No. 002 or higher)

Ref. No. or Q'ty	Part No.	SP	Description
C248	1-126-392-11	s	CAPACITOR,CHIP ELECT100MF/6.3V
C249	1-162-970-11	s	CAPACITOR CERAMIC 0.01MF/25V B
C250	1-162-970-11	s	CAPACITOR CERAMIC 0.01MF/25V B
C251	1-164-156-11	s	CAPACITOR,CERAMIC 0.1MF/25V F
C252	1-162-919-11	s	CAPACITOR,CERAMIC 22PF/50V CH
C253	1-162-919-11	s	CAPACITOR,CERAMIC 22PF/50V CH
C254	1-164-156-11	s	CAPACITOR,CERAMIC 0.1MF/25V F
C255	1-164-156-11	s	CAPACITOR,CERAMIC 0.1MF/25V F
C256	1-164-156-11	s	CAPACITOR,CERAMIC 0.1MF/25V F
C257	1-164-156-11	s	CAPACITOR,CERAMIC 0.1MF/25V F
C258	1-164-156-11	s	CAPACITOR,CERAMIC 0.1MF/25V F
C259	1-162-910-11	s	CAPACITOR,CERAMIC 5PF/50V 1608
C260	1-164-918-11	s	CAPACITOR,CERAMIC 18PF/50V CH
C261	1-162-970-11	s	CAPACITOR CERAMIC 0.01MF/25V B
C262	1-164-156-11	s	CAPACITOR,CERAMIC 0.1MF/25V F
C263	1-162-970-11	s	CAPACITOR CERAMIC 0.01MF/25V B
C264	1-162-970-11	s	CAPACITOR CERAMIC 0.01MF/25V B
C265	1-162-970-11	s	CAPACITOR CERAMIC 0.01MF/25V B
C266	1-164-156-11	s	CAPACITOR,CERAMIC 0.1MF/25V F
C267	1-162-970-11	s	CAPACITOR CERAMIC 0.01MF/25V B
C268	1-164-156-11	s	CAPACITOR,CERAMIC 0.1MF/25V F
C269	1-164-156-11	s	CAPACITOR,CERAMIC 0.1MF/25V F
C270	1-164-156-11	s	CAPACITOR,CERAMIC 0.1MF/25V F
C271	1-164-156-11	s	CAPACITOR,CERAMIC 0.1MF/25V F
C401	1-164-156-11	s	CAPACITOR,CERAMIC 0.1MF/25V F
C402	1-164-156-11	s	CAPACITOR,CERAMIC 0.1MF/25V F
C403	1-164-156-11	s	CAPACITOR,CERAMIC 0.1MF/25V F
C404	1-164-156-11	s	CAPACITOR,CERAMIC 0.1MF/25V F
C405	1-162-970-11	s	CAPACITOR CERAMIC 0.01MF/25V B
C406	1-164-156-11	s	CAPACITOR,CERAMIC 0.1MF/25V F
C407	1-164-156-11	s	CAPACITOR,CERAMIC 0.1MF/25V F
C408	1-164-156-11	s	CAPACITOR,CERAMIC 0.1MF/25V F
C409	1-164-156-11	s	CAPACITOR,CERAMIC 0.1MF/25V F
C410	1-164-156-11	s	CAPACITOR,CERAMIC 0.1MF/25V F
C411	1-164-156-11	s	CAPACITOR,CERAMIC 0.1MF/25V F
C412	1-164-156-11	s	CAPACITOR,CERAMIC 0.1MF/25V F
C413	1-162-919-11	s	CAPACITOR,CERAMIC 22PF/50V CH
C414	1-164-315-11	s	CAPACITOR,CERAMIC 470PF/50V CH
C415	1-162-970-11	s	CAPACITOR CERAMIC 0.01MF/25V B
C416	1-164-156-11	s	CAPACITOR,CERAMIC 0.1MF/25V F
C417	1-164-156-11	s	CAPACITOR,CERAMIC 0.1MF/25V F
C418	1-162-917-11	s	CAPACITOR,CERAMIC 15PF/50V CH
C419	1-162-919-11	s	CAPACITOR,CERAMIC 22PF/50V CH
C420	1-164-315-11	s	CAPACITOR,CERAMIC 470PF/50V CH
C421	1-115-416-11	s	CAPACITOR,CERAMIC 1000PF/25V
C422	1-164-217-11	s	CAPACITOR,CERAMIC 150PF/50V CH
C423	1-162-970-11	s	CAPACITOR CERAMIC 0.01MF/25V B
C424	1-162-970-11	s	CAPACITOR CERAMIC 0.01MF/25V B
C425	1-164-156-11	s	CAPACITOR,CERAMIC 0.1MF/25V F
C426	1-164-156-11	s	CAPACITOR,CERAMIC 0.1MF/25V F
C427	1-164-156-11	s	CAPACITOR,CERAMIC 0.1MF/25V F
C428	1-164-156-11	s	CAPACITOR,CERAMIC 0.1MF/25V F
C429	1-162-970-11	s	CAPACITOR CERAMIC 0.01MF/25V B
C430	1-164-156-11	s	CAPACITOR,CERAMIC 0.1MF/25V F
C431	1-162-970-11	s	CAPACITOR CERAMIC 0.01MF/25V B
C432	1-164-156-11	s	CAPACITOR,CERAMIC 0.1MF/25V F
C433	1-164-156-11	s	CAPACITOR,CERAMIC 0.1MF/25V F
C434	1-164-315-11	s	CAPACITOR,CERAMIC 470PF/50V CH
C435	1-162-927-11	s	CAPACITOR,CERAMIC 100PF/50V CH

(EQ-45A BOARD for DVW-A500P/500P, LOT No. 002 or higher)

Ref. No. or Q'ty	Part No.	SP	Description
C436	1-164-156-11	s	CAPACITOR,CERAMIC 0.1MF/25V F
C437	1-162-970-11	s	CAPACITOR CERAMIC 0.01MF/25V B
C438	1-162-970-11	s	CAPACITOR CERAMIC 0.01MF/25V B
C439	1-164-156-11	s	CAPACITOR,CERAMIC 0.1MF/25V F
C440	1-125-891-11	s	CAPACITOR CERAMIC 0.47MF/10V
C441	1-164-217-11	s	CAPACITOR,CERAMIC 150PF/50V CH
C442	1-107-826-11	s	CAPACITOR,CHIP CERAMIC 0.1MF
C443	1-162-915-11	s	CAPACITOR,CERAMIC 10PF/50V CH
C444	1-107-826-11	s	CAPACITOR,CHIP CERAMIC 0.1MF
C445	1-164-315-11	s	CAPACITOR,CERAMIC 470PF/50V CH
C446	1-164-156-11	s	CAPACITOR,CERAMIC 0.1MF/25V F
C447	1-164-156-11	s	CAPACITOR,CERAMIC 0.1MF/25V F
C448	1-107-826-11	s	CAPACITOR,CHIP CERAMIC 0.1MF
C451	1-164-156-11	s	CAPACITOR,CERAMIC 0.1MF/25V F
C452	*f 1-164-156-11	s	CAPACITOR,CERAMIC 0.1MF/25V F
C453	*f 1-164-156-11	s	CAPACITOR,CERAMIC 0.1MF/25V F
C501	1-164-156-11	s	CAPACITOR,CERAMIC 0.1MF/25V F
C502	1-164-156-11	s	CAPACITOR,CERAMIC 0.1MF/25V F
C503	1-164-156-11	s	CAPACITOR,CERAMIC 0.1MF/25V F
C504	1-162-970-11	s	CAPACITOR CERAMIC 0.01MF/25V B
C505	1-162-970-11	s	CAPACITOR CERAMIC 0.01MF/25V B
C506	1-164-156-11	s	CAPACITOR,CERAMIC 0.1MF/25V F
C507	1-164-156-11	s	CAPACITOR,CERAMIC 0.1MF/25V F
C508	1-164-156-11	s	CAPACITOR,CERAMIC 0.1MF/25V F
C509	1-164-156-11	s	CAPACITOR,CERAMIC 0.1MF/25V F
C510	1-164-156-11	s	CAPACITOR,CERAMIC 0.1MF/25V F
C511	1-164-156-11	s	CAPACITOR,CERAMIC 0.1MF/25V F
C512	1-164-156-11	s	CAPACITOR,CERAMIC 0.1MF/25V F
C513	1-164-156-11	s	CAPACITOR,CERAMIC 0.1MF/25V F
C514	1-162-919-11	s	CAPACITOR,CERAMIC 22PF/50V CH
C515	1-164-315-11	s	CAPACITOR,CERAMIC 470PF/50V CH
C516	1-162-970-11	s	CAPACITOR CERAMIC 0.01MF/25V B
C517	1-164-156-11	s	CAPACITOR,CERAMIC 0.1MF/25V F
C518	1-164-156-11	s	CAPACITOR,CERAMIC 0.1MF/25V F
C519	1-162-917-11	s	CAPACITOR,CERAMIC 15PF/50V CH
C520	1-162-919-11	s	CAPACITOR,CERAMIC 22PF/50V CH
C521	1-164-315-11	s	CAPACITOR,CERAMIC 470PF/50V CH
C522	1-115-416-11	s	CAPACITOR,CERAMIC 1000PF/25V
C523	1-164-217-11	s	CAPACITOR,CERAMIC 150PF/50V CH
C524	1-162-970-11	s	CAPACITOR CERAMIC 0.01MF/25V B
C525	1-162-970-11	s	CAPACITOR CERAMIC 0.01MF/25V B
C526	1-164-156-11	s	CAPACITOR,CERAMIC 0.1MF/25V F
C527	1-164-156-11	s	CAPACITOR,CERAMIC 0.1MF/25V F
C528	1-164-156-11	s	CAPACITOR,CERAMIC 0.1MF/25V F
C529	1-164-156-11	s	CAPACITOR,CERAMIC 0.1MF/25V F
C530	1-162-970-11	s	CAPACITOR CERAMIC 0.01MF/25V B
C531	1-164-156-11	s	CAPACITOR,CERAMIC 0.1MF/25V F
C532	1-162-970-11	s	CAPACITOR CERAMIC 0.01MF/25V B
C533	1-164-156-11	s	CAPACITOR,CERAMIC 0.1MF/25V F
C534	1-164-156-11	s	CAPACITOR,CERAMIC 0.1MF/25V F
C535	1-164-315-11	s	CAPACITOR,CERAMIC 470PF/50V CH
C536	1-162-927-11	s	CAPACITOR,CERAMIC 100PF/50V CH
C537	1-164-156-11	s	CAPACITOR,CERAMIC 0.1MF/25V F
C538	1-162-970-11	s	CAPACITOR CERAMIC 0.01MF/25V B
C539	1-162-970-11	s	CAPACITOR CERAMIC 0.01MF/25V B
C540	1-164-156-11	s	CAPACITOR,CERAMIC 0.1MF/25V F
C541	1-164-156-11	s	CAPACITOR,CERAMIC 0.1MF/25V F
C542	1-125-891-11	s	CAPACITOR CERAMIC 0.47MF/10V
C543	1-164-156-11	s	CAPACITOR,CERAMIC 0.1MF/25V F

(EQ-45A BOARD for DVW-A500P/500P, LOT No. 002 or higher)

(EQ-45A BOARD for DVW-A500P/500P, LOT No. 002 or higher)

Ref. No. or Q'ty	Part No.	SP	Description
C544	1-107-826-11	s	CAPACITOR,CHIP CERAMIC 0.1MF
C545	1-162-915-11	s	CAPACITOR,CERAMIC 10PF/50V CH
C546	1-107-826-11	s	CAPACITOR,CHIP CERAMIC 0.1MF
C547	1-164-217-11	s	CAPACITOR,CERAMIC 150PF/50V CH
C548	1-164-315-11	s	CAPACITOR,CERAMIC 470PF/50V CH
C549	1-107-826-11	s	CAPACITOR,CHIP CERAMIC 0.1MF
C551	1-164-156-11	s	CAPACITOR,CERAMIC 0.1MF/25V F
C552	*j 1-164-156-11	s	CAPACITOR,CERAMIC 0.1MF/25V F
C601	1-164-156-11	s	CAPACITOR,CERAMIC 0.1MF/25V F
C602	1-164-156-11	s	CAPACITOR,CERAMIC 0.1MF/25V F
C603	1-164-156-11	s	CAPACITOR,CERAMIC 0.1MF/25V F
C604	1-164-156-11	s	CAPACITOR,CERAMIC 0.1MF/25V F
C605	1-164-156-11	s	CAPACITOR,CERAMIC 0.1MF/25V F
C606	1-162-970-11	s	CAPACITOR CERAMIC 0.01MF/25V B
C607	1-164-156-11	s	CAPACITOR,CERAMIC 0.1MF/25V F
C608	1-164-156-11	s	CAPACITOR,CERAMIC 0.1MF/25V F
C609	1-164-156-11	s	CAPACITOR,CERAMIC 0.1MF/25V F
C610	1-164-156-11	s	CAPACITOR,CERAMIC 0.1MF/25V F
C611	1-164-156-11	s	CAPACITOR,CERAMIC 0.1MF/25V F
C612	1-162-919-11	s	CAPACITOR,CERAMIC 22PF/50V CH
C613	1-164-315-11	s	CAPACITOR,CERAMIC 470PF/50V CH
C614	1-162-970-11	s	CAPACITOR CERAMIC 0.01MF/25V B
C615	1-164-156-11	s	CAPACITOR,CERAMIC 0.1MF/25V F
C616	1-164-156-11	s	CAPACITOR,CERAMIC 0.1MF/25V F
C617	1-162-917-11	s	CAPACITOR,CERAMIC 15PF/50V CH
C618	1-162-919-11	s	CAPACITOR,CERAMIC 22PF/50V CH
C619	1-164-315-11	s	CAPACITOR,CERAMIC 470PF/50V CH
C620	1-115-416-11	s	CAPACITOR,CERAMIC 1000PF/25V
C621	1-164-217-11	s	CAPACITOR,CERAMIC 150PF/50V CH
C622	1-162-970-11	s	CAPACITOR CERAMIC 0.01MF/25V B
C623	1-162-970-11	s	CAPACITOR CERAMIC 0.01MF/25V B
C624	1-164-156-11	s	CAPACITOR,CERAMIC 0.1MF/25V F
C625	1-164-156-11	s	CAPACITOR,CERAMIC 0.1MF/25V F
C626	1-164-156-11	s	CAPACITOR,CERAMIC 0.1MF/25V F
C627	1-162-970-11	s	CAPACITOR CERAMIC 0.01MF/25V B
C628	1-164-156-11	s	CAPACITOR,CERAMIC 0.1MF/25V F
C629	1-162-970-11	s	CAPACITOR CERAMIC 0.01MF/25V B
C630	1-164-156-11	s	CAPACITOR,CERAMIC 0.1MF/25V F
C631	1-164-156-11	s	CAPACITOR,CERAMIC 0.1MF/25V F
C632	1-164-315-11	s	CAPACITOR,CERAMIC 470PF/50V CH
C633	1-162-927-11	s	CAPACITOR,CERAMIC 100PF/50V CH
C634	1-164-156-11	s	CAPACITOR,CERAMIC 0.1MF/25V F
C635	1-164-156-11	s	CAPACITOR,CERAMIC 0.1MF/25V F
C636	1-164-156-11	s	CAPACITOR,CERAMIC 0.1MF/25V F
C637	1-125-891-11	s	CAPACITOR CERAMIC 0.47MF/10V
C638	1-107-826-11	s	CAPACITOR,CHIP CERAMIC 0.1MF
C639	1-162-915-11	s	CAPACITOR,CERAMIC 10PF/50V CH
C640	1-107-826-11	s	CAPACITOR,CHIP CERAMIC 0.1MF
C641	1-164-217-11	s	CAPACITOR,CERAMIC 150PF/50V CH
C642	1-164-315-11	s	CAPACITOR,CERAMIC 470PF/50V CH
C643	1-107-826-11	s	CAPACITOR,CHIP CERAMIC 0.1MF
C651	1-164-156-11	s	CAPACITOR,CERAMIC 0.1MF/25V F
C652	*j 1-164-156-11	s	CAPACITOR,CERAMIC 0.1MF/25V F
C701	1-164-156-11	s	CAPACITOR,CERAMIC 0.1MF/25V F
C702	1-162-970-11	s	CAPACITOR CERAMIC 0.01MF/25V B
C703	1-164-156-11	s	CAPACITOR,CERAMIC 0.1MF/25V F
C704	1-164-156-11	s	CAPACITOR,CERAMIC 0.1MF/25V F
C705	1-164-156-11	s	CAPACITOR,CERAMIC 0.1MF/25V F
C706	1-164-156-11	s	CAPACITOR,CERAMIC 0.1MF/25V F

Ref. No. or Q'ty	Part No.	SP	Description
C707	1-164-156-11	s	CAPACITOR,CERAMIC 0.1MF/25V F
C708	1-162-970-11	s	CAPACITOR CERAMIC 0.01MF/25V B
C709	1-164-156-11	s	CAPACITOR,CERAMIC 0.1MF/25V F
C710	1-164-156-11	s	CAPACITOR,CERAMIC 0.1MF/25V F
C711	1-164-156-11	s	CAPACITOR,CERAMIC 0.1MF/25V F
C712	1-164-156-11	s	CAPACITOR,CERAMIC 0.1MF/25V F
C713	1-164-156-11	s	CAPACITOR,CERAMIC 0.1MF/25V F
C714	1-162-919-11	s	CAPACITOR,CERAMIC 22PF/50V CH
C715	1-164-315-11	s	CAPACITOR,CERAMIC 470PF/50V CH
C716	1-162-970-11	s	CAPACITOR CERAMIC 0.01MF/25V B
C717	1-164-156-11	s	CAPACITOR,CERAMIC 0.1MF/25V F
C718	1-164-156-11	s	CAPACITOR,CERAMIC 0.1MF/25V F
C719	1-162-917-11	s	CAPACITOR,CERAMIC 15PF/50V CH
C720	1-162-919-11	s	CAPACITOR,CERAMIC 22PF/50V CH
C721	1-164-315-11	s	CAPACITOR,CERAMIC 470PF/50V CH
C722	1-115-416-11	s	CAPACITOR,CERAMIC 1000PF/25V
C723	1-164-217-11	s	CAPACITOR,CERAMIC 150PF/50V CH
C724	1-162-970-11	s	CAPACITOR CERAMIC 0.01MF/25V B
C725	1-162-970-11	s	CAPACITOR CERAMIC 0.01MF/25V B
C726	1-164-156-11	s	CAPACITOR,CERAMIC 0.1MF/25V F
C727	1-164-156-11	s	CAPACITOR,CERAMIC 0.1MF/25V F
C728	1-164-156-11	s	CAPACITOR,CERAMIC 0.1MF/25V F
C729	1-162-970-11	s	CAPACITOR CERAMIC 0.01MF/25V B
C730	1-164-156-11	s	CAPACITOR,CERAMIC 0.1MF/25V F
C731	1-162-970-11	s	CAPACITOR CERAMIC 0.01MF/25V B
C732	1-164-156-11	s	CAPACITOR,CERAMIC 0.1MF/25V F
C733	1-164-156-11	s	CAPACITOR,CERAMIC 0.1MF/25V F
C734	1-164-315-11	s	CAPACITOR,CERAMIC 470PF/50V CH
C735	1-162-927-11	s	CAPACITOR,CERAMIC 100PF/50V CH
C736	1-164-156-11	s	CAPACITOR,CERAMIC 0.1MF/25V F
C737	1-164-156-11	s	CAPACITOR,CERAMIC 0.1MF/25V F
C738	1-164-156-11	s	CAPACITOR,CERAMIC 0.1MF/25V F
C739	1-125-891-11	s	CAPACITOR CERAMIC 0.47MF/10V
C740	1-107-826-11	s	CAPACITOR,CHIP CERAMIC 0.1MF
C741	1-162-915-11	s	CAPACITOR,CERAMIC 10PF/50V CH
C742	1-107-826-11	s	CAPACITOR,CHIP CERAMIC 0.1MF
C743	1-164-217-11	s	CAPACITOR,CERAMIC 150PF/50V CH
C744	1-164-315-11	s	CAPACITOR,CERAMIC 470PF/50V CH
C745	1-107-826-11	s	CAPACITOR,CHIP CERAMIC 0.1MF
C751	1-164-156-11	s	CAPACITOR,CERAMIC 0.1MF/25V F
C752	*j 1-164-156-11	s	CAPACITOR,CERAMIC 0.1MF/25V F
C801	1-162-970-11	s	CAPACITOR CERAMIC 0.01MF/25V B
C802	1-162-970-11	s	CAPACITOR CERAMIC 0.01MF/25V B
C803	1-164-156-11	s	CAPACITOR,CERAMIC 0.1MF/25V F
C804	1-164-156-11	s	CAPACITOR,CERAMIC 0.1MF/25V F
C805	*j 1-164-156-11	s	CAPACITOR,CERAMIC 0.1MF/25V F
	*h 1-107-826-11	s	CAPACITOR,CHIP CERAMIC 0.1MF
C806	*j 1-164-156-11	s	CAPACITOR,CERAMIC 0.1MF/25V F
	*h 1-107-826-11	s	CAPACITOR,CHIP CERAMIC 0.1MF
C807	*j 1-164-156-11	s	CAPACITOR,CERAMIC 0.1MF/25V F
	*h 1-107-826-11	s	CAPACITOR,CHIP CERAMIC 0.1MF
C808	*j 1-164-156-11	s	CAPACITOR,CERAMIC 0.1MF/25V F
	*h 1-107-826-11	s	CAPACITOR,CHIP CERAMIC 0.1MF
C809	1-125-891-11	s	CAPACITOR CERAMIC 0.47MF/10V
C810	1-125-891-11	s	CAPACITOR CERAMIC 0.47MF/10V
C811	1-125-891-11	s	CAPACITOR CERAMIC 0.47MF/10V
C812	1-125-891-11	s	CAPACITOR CERAMIC 0.47MF/10V
C813	1-135-145-11	s	CAPACITOR TANTALUM 0.47MF/35V
C814	1-135-145-11	s	CAPACITOR TANTALUM 0.47MF/35V





(EQ-45A BOARD for DVW-A500P/500P, LOT No. 002 or higher)

(EQ-45A BOARD for DVW-A500P/500P, LOT No. 002 or higher)

Ref. No. or Q'ty	Part No.	SP Description	Ref. No. or Q'ty	Part No.	SP Description
C944	*a 1-162-919-11	s CAPACITOR,CERAMIC 22PF/50V CH	FL112	1-239-898-22	s FILTER, EMI (SMD)
C945	1-162-970-11	s CAPACITOR,CERAMIC 0.01MF/25V B	FL113	1-239-898-22	s FILTER, EMI (SMD)
C946	1-126-392-11	s CAPACITOR,CHIP ELECT100MF/6.3V	FL114	1-239-898-22	s FILTER, EMI (SMD)
C947	1-162-970-11	s CAPACITOR,CERAMIC 0.01MF/25V B	FL115	1-239-898-22	s FILTER, EMI (SMD)
C948	1-164-156-11	s CAPACITOR,CERAMIC 0.1MF/25V F	FL116	1-239-898-22	s FILTER, EMI (SMD)
C949	1-164-156-11	s CAPACITOR,CERAMIC 0.1MF/25V F	FL117	1-239-898-22	s FILTER, EMI (SMD)
C950	1-164-156-11	s CAPACITOR,CERAMIC 0.1MF/25V F	FL118	1-239-898-22	s FILTER, EMI (SMD)
C951	*j 1-104-608-11	s CAPACITOR, ELECT 33MF/6.3V	FL119	1-239-898-22	s FILTER, EMI (SMD)
	*h 1-164-156-11	s CAPACITOR,CERAMIC 0.1MF/25V F	FL120	1-239-898-22	s FILTER, EMI (SMD)
C952	1-164-156-11	s CAPACITOR,CERAMIC 0.1MF/25V F	FL121	1-239-898-22	s FILTER, EMI (SMD)
C953	1-164-156-11	s CAPACITOR,CERAMIC 0.1MF/25V F	FL122	1-239-898-22	s FILTER, EMI (SMD)
C954	*f 1-164-156-11	s CAPACITOR,CERAMIC 0.1MF/25V F	FL123	1-239-898-22	s FILTER, EMI (SMD)
C955	*f 1-164-156-11	s CAPACITOR,CERAMIC 0.1MF/25V F	FL124	1-239-898-22	s FILTER, EMI (SMD)
C958	*j 1-126-394-11	s CAPACITOR,ELECT 10MF/16V(CHIP)	FL125	1-239-898-22	s FILTER, EMI (SMD)
C959	*j 1-126-394-11	s CAPACITOR,ELECT 10MF/16V(CHIP)	FL401	1-239-718-21	s FILTER, LOW PASS
C960	*j 1-126-394-11	s CAPACITOR,ELECT 10MF/16V(CHIP)	FL501	1-239-718-21	s FILTER, LOW PASS
C961	*j 1-126-394-11	s CAPACITOR,ELECT 10MF/16V(CHIP)	FL601	1-239-718-21	s FILTER, LOW PASS
C962	*j 1-104-610-11	s CAPACITOR, ELECT 47MF/4V(CHIP)	FL701	1-239-718-21	s FILTER, LOW PASS
C963	*j 1-104-608-11	s CAPACITOR, ELECT 33MF/6.3V	IC100	8-759-523-78	s IC TC74VHC00FT(EL)
C964	*j 1-104-610-11	s CAPACITOR, ELECT 47MF/4V(CHIP)	IC101	8-759-491-46	s IC TC74VHCT04AFT (EL)
C965	*j 1-104-608-11	s CAPACITOR, ELECT 33MF/6.3V	IC102	*j 8-759-549-15	s IC SN74LV245APWR
C966	*j 1-104-610-11	s CAPACITOR, ELECT 47MF/4V(CHIP)		*h 8-759-475-48	s IC TC74LCX245FT(EL)
C967	*j 1-104-608-11	s CAPACITOR, ELECT 33MF/6.3V	IC103	8-759-172-71	s IC CXD8816R
C968	*j 1-104-610-11	s CAPACITOR, ELECT 47MF/4V(CHIP)	IC104	*j 8-759-549-15	s IC SN74LV245APWR
C969	*j 1-104-608-11	s CAPACITOR, ELECT 33MF/6.3V		*h 8-759-475-48	s IC TC74LCX245FT(EL)
C970	*j 1-164-156-11	s CAPACITOR,CERAMIC 0.1MF/25V F	IC105	8-759-392-77	s IC SN74LVC245APW (E20)
C971	*j 1-104-608-11	s CAPACITOR, ELECT 33MF/6.3V	IC106	8-759-392-77	s IC SN74LVC245APW (E20)
CN106	1-750-795-21	s CONNECTOR, PRINT PC BOARD	IC107	8-759-392-77	s IC SN74LVC245APW (E20)
CN601	1-506-471-11	o PIN,CONNECTOR (6P)	IC108	8-759-392-77	s IC SN74LVC245APW (E20)
CN602	1-506-469-11	s PIN,CONNECTOR (4P)	IC204	8-752-066-48	s IC CXA1809Q
CN603	1-506-469-11	o PIN,CONNECTOR (4P)	IC205	8-759-635-27	s IC M62352GP
CN606	1-506-468-11	o PIN,CONNECTOR (3P)	IC206	8-759-523-81	s IC TC74VHC08FT(EL)
CN607	1-506-468-11	o PIN,CONNECTOR (3P)	IC208	*j 8-759-196-96	s IC TC75H08FU (TE85R)
CN608	1-506-468-11	o PIN,CONNECTOR (3P)		*h 8-759-523-81	s IC TC74VHC08FT(EL)
CN609	1-506-468-11	o PIN,CONNECTOR (3P)	IC209	8-759-523-94	s IC TC74VHC32FT(EL)
D1	*g 8-719-064-52	s DIODE CL-191YG-CD-T	IC211	8-759-234-08	s IC TA78L05F
D401	8-719-157-36	s DIODE RD6.8M-B	IC212	8-759-446-74	s IC TA79L05F(TE12L)
D501	*j 8-719-157-36	s DIODE RD6.8M-B	IC341	8-759-112-53	s IC UPC1663G
D601	*j 8-719-157-36	s DIODE RD6.8M-B	IC351	8-759-112-53	s IC UPC1663G
D701	*j 8-719-157-36	s DIODE RD6.8M-B	IC400	8-759-635-27	s IC M62352GP
DL420	1-415-799-11	s DELAY LINE	IC401	8-752-075-38	s IC CXA3053R
DL520	1-415-799-11	s DELAY LINE	IC402	8-759-669-73	s IC TL082CPWR
DL620	1-415-799-11	s DELAY LINE	IC403	*j 8-759-441-31	s IC MC14053BDTR2
DL720	1-415-799-11	s DELAY LINE		*h 8-759-530-05	s IC TC4053BFT(EL, N)
F100	1-533-272-11	s FUSE, CHIP 4A (6125)	IC411	8-759-234-08	s IC TA78L05F
FL100	1-239-898-22	s FILTER, EMI (SMD)	IC412	8-759-446-74	s IC TA79L05F(TE12L)
FL101	1-239-898-22	s FILTER, EMI (SMD)	IC413	*j 8-759-669-74	s IC TL084CPWR-12
FL102	1-239-898-22	s FILTER, EMI (SMD)		*i 8-759-287-54	s IC TL084CPWR
FL103	1-239-898-22	s FILTER, EMI (SMD)	IC501	8-752-075-38	s IC CXA3053R
FL104	1-239-898-22	s FILTER, EMI (SMD)	IC511	8-759-234-08	s IC TA78L05F
FL105	1-239-898-22	s FILTER, EMI (SMD)	IC512	8-759-446-74	s IC TA79L05F(TE12L)
FL106	1-239-898-22	s FILTER, EMI (SMD)	IC513	8-759-669-73	s IC TL082CPWR
FL107	1-239-898-22	s FILTER, EMI (SMD)	IC514	*j 8-759-441-31	s IC MC14053BDTR2
FL108	1-239-898-22	s FILTER, EMI (SMD)		*h 8-759-530-05	s IC TC4053BFT(EL, N)
FL109	1-239-898-22	s FILTER, EMI (SMD)	IC600	8-759-635-27	s IC M62352GP
FL110	1-239-898-22	s FILTER, EMI (SMD)	IC601	8-752-075-38	s IC CXA3053R
FL111	1-239-898-22	s FILTER, EMI (SMD)	IC611	8-759-234-08	s IC TA78L05F
			IC612	8-759-446-74	s IC TA79L05F(TE12L)
			IC613	*j 8-759-441-31	s IC MC14053BDTR2
				*h 8-759-530-05	s IC TC4053BFT(EL, N)

(EQ-45A BOARD for DVW-A500P/500P, LOT No. 002 or higher)

Ref. No. or Q'ty	Part No.	SP	Description
IC614	8-759-669-73	s	IC TL082CPWR
IC701	8-752-075-38	s	IC CXA3053R
IC711	8-759-234-08	s	IC TA78L05F
IC712	8-759-446-74	s	IC TA79L05F(TE12L)
IC713	8-759-669-73	s	IC TL082CPWR
IC714	*j 8-759-441-31	s	IC MC14053BDTR2
	*h 8-759-530-05	s	IC TC4053BFT(EL, N)
IC801	8-752-066-44	s	IC CXA1805Q
IC802	8-752-075-40	s	IC CXA3051R
IC803	8-752-066-44	s	IC CXA1805Q
IC804	8-752-075-40	s	IC CXA3051R
IC805	8-759-173-13	s	IC CXD8815Q
IC807	8-759-234-08	s	IC TA78L05F
IC808	8-759-446-74	s	IC TA79L05F(TE12L)
IC809	8-759-234-08	s	IC TA78L05F
IC810	*j 8-759-446-74	s	IC TA79L05F(TE12L)
	*h 8-759-635-27	s	IC M62352GP
IC811	8-759-669-66	s	IC TLC272CPWR-12
IC812	8-759-669-66	s	IC TLC272CPWR-12
IC813	*f 8-759-548-97	s	IC SN74LV04APWR
IC814	*f 8-759-548-97	s	IC SN74LV04APWR
IC901	8-752-066-44	s	IC CXA1805Q
IC902	8-752-075-40	s	IC CXA3051R
IC903	8-752-066-44	s	IC CXA1805Q
IC904	8-752-075-40	s	IC CXA3051R
IC905	8-759-173-13	s	IC CXD8815Q
IC906	8-759-234-08	s	IC TA78L05F
IC907	8-759-446-74	s	IC TA79L05F(TE12L)
IC908	8-759-234-08	s	IC TA78L05F
IC909	8-759-669-66	s	IC TLC272CPWR-12
IC910	8-759-669-66	s	IC TLC272CPWR-12
IC911	*f 8-759-548-97	s	IC SN74LV04APWR
IC912	*f 8-759-548-97	s	IC SN74LV04APWR
IC913	*j 8-759-446-74	s	IC TA79L05F(TE12L)
L100	1-410-377-31	s	INDUCTOR,CHIP 4.7UH (3225)
L101	1-410-803-31	s	INDUCTOR,CHIP 0.047UH
L102	1-410-803-31	s	INDUCTOR,CHIP 0.047UH
L103	1-410-803-31	s	INDUCTOR,CHIP 0.047UH
L206	1-410-377-31	s	INDUCTOR,CHIP 4.7UH (3225)
L207	1-410-369-11	s	INDUCTOR,CHIP 1UH (3225)
L801	*j 1-410-377-31	s	INDUCTOR,CHIP 4.7UH (3225)
	*h 1-412-947-11	s	INDUCTOR 4.7UH (2520)
L802	*j 1-410-377-31	s	INDUCTOR,CHIP 4.7UH (3225)
	*h 1-412-947-11	s	INDUCTOR 4.7UH (2520)
L803	1-410-377-31	s	INDUCTOR,CHIP 4.7UH (3225)
L804	*j 1-410-377-31	s	INDUCTOR,CHIP 4.7UH (3225)
L805	*j 1-410-377-31	s	INDUCTOR,CHIP 4.7UH (3225)
L806	*j 1-410-377-31	s	INDUCTOR,CHIP 4.7UH (3225)
L807	*j 1-410-377-31	s	INDUCTOR,CHIP 4.7UH (3225)
L808	*j 1-410-377-31	s	INDUCTOR,CHIP 4.7UH (3225)
L809	*j 1-410-377-31	s	INDUCTOR,CHIP 4.7UH (3225)
L810	*j 1-410-377-31	s	INDUCTOR,CHIP 4.7UH (3225)
L811	*j 1-410-377-31	s	INDUCTOR,CHIP 4.7UH (3225)
L812	*j 1-410-377-31	s	INDUCTOR,CHIP 4.7UH (3225)
L813	*j 1-410-377-31	s	INDUCTOR,CHIP 4.7UH (3225)
L814	*j 1-410-377-31	s	INDUCTOR,CHIP 4.7UH (3225)
L815	*j 1-410-377-31	s	INDUCTOR,CHIP 4.7UH (3225)
L901	*j 1-410-377-31	s	INDUCTOR,CHIP 4.7UH (3225)
	*h 1-412-947-11	s	INDUCTOR 4.7UH (2520)

(EQ-45A BOARD for DVW-A500P/500P, LOT No. 002 or higher)

Ref. No. or Q'ty	Part No.	SP	Description
L902	*j 1-410-377-31	s	INDUCTOR,CHIP 4.7UH (3225)
	*h 1-412-947-11	s	INDUCTOR 4.7UH (2520)
L903	1-410-377-31	s	INDUCTOR,CHIP 4.7UH (3225)
L904	*j 1-410-377-31	s	INDUCTOR,CHIP 4.7UH (3225)
L905	*j 1-410-377-31	s	INDUCTOR,CHIP 4.7UH (3225)
L906	*j 1-410-377-31	s	INDUCTOR,CHIP 4.7UH (3225)
L907	*j 1-410-377-31	s	INDUCTOR,CHIP 4.7UH (3225)
L908	*j 1-410-377-31	s	INDUCTOR,CHIP 4.7UH (3225)
L909	*j 1-410-377-31	s	INDUCTOR,CHIP 4.7UH (3225)
L910	*j 1-410-377-31	s	INDUCTOR,CHIP 4.7UH (3225)
L911	*j 1-410-377-31	s	INDUCTOR,CHIP 4.7UH (3225)
L912	*j 1-410-377-31	s	INDUCTOR,CHIP 4.7UH (3225)
L913	*j 1-410-377-31	s	INDUCTOR,CHIP 4.7UH (3225)
L914	*j 1-410-377-31	s	INDUCTOR,CHIP 4.7UH (3225)
L915	*j 1-410-377-31	s	INDUCTOR,CHIP 4.7UH (3225)
Q100	8-729-143-14	s	TRANSISTOR 2SC4176-B35
Q101	8-729-143-14	s	TRANSISTOR 2SC4176-B35
Q102	8-729-028-91	s	TRANSISTOR DTA144EUA-T106
Q103	8-729-028-91	s	TRANSISTOR DTA144EUA-T106
Q220	8-729-143-14	s	TRANSISTOR 2SC4176-B35
Q221	8-729-143-14	s	TRANSISTOR 2SC4176-B35
Q222	8-729-143-14	s	TRANSISTOR 2SC4176-B35
Q223	8-729-143-14	s	TRANSISTOR 2SC4176-B35
Q224	8-729-143-14	s	TRANSISTOR 2SC4176-B35
Q401	8-729-029-14	s	TRANSISTOR DTC144EUA-T106
Q402	8-729-143-14	s	TRANSISTOR 2SC4176-B35
Q403	8-729-143-14	s	TRANSISTOR 2SC4176-B35
Q404	8-729-143-14	s	TRANSISTOR 2SC4176-B35
Q405	8-729-143-14	s	TRANSISTOR 2SC4176-B35
Q406	8-729-143-14	s	TRANSISTOR 2SC4176-B35
Q408	8-729-143-14	s	TRANSISTOR 2SC4176-B35
Q409	8-729-143-14	s	TRANSISTOR 2SC4176-B35
Q410	8-729-029-14	s	TRANSISTOR DTC144EUA-T106
Q501	8-729-029-14	s	TRANSISTOR DTC144EUA-T106
Q502	8-729-143-14	s	TRANSISTOR 2SC4176-B35
Q503	8-729-143-14	s	TRANSISTOR 2SC4176-B35
Q504	8-729-143-14	s	TRANSISTOR 2SC4176-B35
Q505	8-729-143-14	s	TRANSISTOR 2SC4176-B35
Q506	8-729-029-14	s	TRANSISTOR DTC144EUA-T106
Q507	8-729-143-14	s	TRANSISTOR 2SC4176-B35
Q508	8-729-143-14	s	TRANSISTOR 2SC4176-B35
Q509	*j 8-729-143-14	s	TRANSISTOR 2SC4176-B35
Q601	8-729-029-14	s	TRANSISTOR DTC144EUA-T106
Q602	8-729-143-14	s	TRANSISTOR 2SC4176-B35
Q603	8-729-143-14	s	TRANSISTOR 2SC4176-B35
Q604	8-729-143-14	s	TRANSISTOR 2SC4176-B35
Q605	8-729-029-14	s	TRANSISTOR DTC144EUA-T106
Q606	8-729-143-14	s	TRANSISTOR 2SC4176-B35
Q607	8-729-143-14	s	TRANSISTOR 2SC4176-B35
Q609	*j 8-729-143-14	s	TRANSISTOR 2SC4176-B35
Q701	8-729-029-14	s	TRANSISTOR DTC144EUA-T106
Q702	8-729-143-14	s	TRANSISTOR 2SC4176-B35
Q703	8-729-143-14	s	TRANSISTOR 2SC4176-B35
Q704	8-729-143-14	s	TRANSISTOR 2SC4176-B35
Q705	8-729-029-14	s	TRANSISTOR DTC144EUA-T106
Q706	8-729-143-14	s	TRANSISTOR 2SC4176-B35
Q707	8-729-143-14	s	TRANSISTOR 2SC4176-B35
Q709	*j 8-729-143-14	s	TRANSISTOR 2SC4176-B35
Q801	8-729-140-63	s	TRANSISTOR 2SA1611-M5M6

(EQ-45A BOARD for DVW-A500P/500P, LOT No. 002 or higher)

(EQ-45A BOARD for DVW-A500P/500P, LOT No. 002 or higher)

Ref. No. or Q'ty	Part No.	SP Description
Q802	8-729-209-07	s TRANSISTOR 2SC4213-B
Q803	8-729-209-07	s TRANSISTOR 2SC4213-B
Q804	8-729-209-07	s TRANSISTOR 2SC4213-B
Q805	8-729-209-07	s TRANSISTOR 2SC4213-B
Q806	8-729-143-14	s TRANSISTOR 2SC4176-B35
Q807	8-729-143-14	s TRANSISTOR 2SC4176-B35
Q808	8-729-029-14	s TRANSISTOR DTC144EUA-T106
Q809	8-729-029-14	s TRANSISTOR DTC144EUA-T106
Q810	8-729-013-37	s TRANSISTOR 2SC4213-AB-TE85L
Q811	8-729-013-37	s TRANSISTOR 2SC4213-AB-TE85L
Q812	8-729-029-14	s TRANSISTOR DTC144EUA-T106
Q813	8-729-029-14	s TRANSISTOR DTC144EUA-T106
Q814	8-729-028-91	s TRANSISTOR DTA144EUA-T106
Q815	8-729-028-91	s TRANSISTOR DTA144EUA-T106
Q901	8-729-209-07	s TRANSISTOR 2SC4213-B
Q902	8-729-209-07	s TRANSISTOR 2SC4213-B
Q903	8-729-209-07	s TRANSISTOR 2SC4213-B
Q904	8-729-209-07	s TRANSISTOR 2SC4213-B
Q905	8-729-143-14	s TRANSISTOR 2SC4176-B35
Q906	8-729-143-14	s TRANSISTOR 2SC4176-B35
Q907	8-729-029-14	s TRANSISTOR DTC144EUA-T106
Q908	8-729-029-14	s TRANSISTOR DTC144EUA-T106
Q909	8-729-013-37	s TRANSISTOR 2SC4213-AB-TE85L
Q910	8-729-013-37	s TRANSISTOR 2SC4213-AB-TE85L
R100	1-218-732-11	s RESISTOR,CHIP 47K 1/16W(1608)
R101	1-218-716-11	s RESISTOR,CHIP 10K 1/16W(1608)
R102	1-218-716-11	s RESISTOR,CHIP 10K 1/16W(1608)
R103	1-218-676-11	s RESISTOR,CHIP 220 1/16W(1608)
R104	1-218-676-11	s RESISTOR,CHIP 220 1/16W(1608)
R105	*h 1-218-716-11	s RESISTOR,CHIP 10K 1/16W(1608)
R106	1-218-716-11	s RESISTOR,CHIP 10K 1/16W(1608)
R107	1-218-716-11	s RESISTOR,CHIP 10K 1/16W(1608)
R108	1-218-676-11	s RESISTOR,CHIP 220 1/16W(1608)
R109	*h 1-218-716-11	s RESISTOR,CHIP 10K 1/16W(1608)
R110	1-218-716-11	s RESISTOR,CHIP 10K 1/16W(1608)
R111	1-218-660-91	s RESISTOR,CHIP 47 1/16W (1608)
R112	1-218-660-91	s RESISTOR,CHIP 47 1/16W (1608)
R113	1-218-676-11	s RESISTOR,CHIP 220 1/16W(1608)
R114	*h 1-218-716-11	s RESISTOR,CHIP 10K 1/16W(1608)
R115	1-218-676-11	s RESISTOR,CHIP 220 1/16W(1608)
R116	*h 1-218-716-11	s RESISTOR,CHIP 10K 1/16W(1608)
R117	1-218-676-11	s RESISTOR,CHIP 220 1/16W(1608)
R118	1-218-676-11	s RESISTOR,CHIP 220 1/16W(1608)
R119	1-218-676-11	s RESISTOR,CHIP 220 1/16W(1608)
R120	1-218-660-91	s RESISTOR,CHIP 47 1/16W (1608)
R121	*h 1-218-660-91	s RESISTOR,CHIP 47 1/16W (1608)
R122	*h 1-218-660-91	s RESISTOR,CHIP 47 1/16W (1608)
R123	*h 1-218-660-91	s RESISTOR,CHIP 47 1/16W (1608)
R124	1-218-692-11	s RESISTOR,CHIP 1.0K 1/16W(1608)
R125	1-218-692-11	s RESISTOR,CHIP 1.0K 1/16W(1608)
R126	*h 1-218-692-11	s RESISTOR,CHIP 1.0K 1/16W(1608)
R127	*h 1-218-692-11	s RESISTOR,CHIP 1.0K 1/16W(1608)
R128	*h 1-218-692-11	s RESISTOR,CHIP 1.0K 1/16W(1608)
R129	*h 1-218-692-11	s RESISTOR,CHIP 1.0K 1/16W(1608)
R130	1-218-660-91	s RESISTOR,CHIP 47 1/16W (1608)
R131	1-218-692-11	s RESISTOR,CHIP 1.0K 1/16W(1608)
R132	1-218-660-91	s RESISTOR,CHIP 47 1/16W (1608)
R133	1-218-660-91	s RESISTOR,CHIP 47 1/16W (1608)
R134	1-218-660-91	s RESISTOR,CHIP 47 1/16W (1608)

Ref. No. or Q'ty	Part No.	SP Description
R135	1-218-660-91	s RESISTOR,CHIP 47 1/16W (1608)
R136	1-218-660-91	s RESISTOR,CHIP 47 1/16W (1608)
R137	1-218-660-91	s RESISTOR,CHIP 47 1/16W (1608)
R138	1-218-676-11	s RESISTOR,CHIP 220 1/16W(1608)
R139	1-218-660-91	s RESISTOR,CHIP 47 1/16W (1608)
R140	1-218-660-91	s RESISTOR,CHIP 47 1/16W (1608)
R141	1-218-660-91	s RESISTOR,CHIP 47 1/16W (1608)
R142	1-218-706-11	s RESISTOR,CHIP 3.9K 1/16W(1608)
R143	1-218-706-11	s RESISTOR,CHIP 3.9K 1/16W(1608)
R144	1-218-702-11	s RESISTOR CHIP 2.7K 1/16W(1608)
R145	1-218-710-11	s RESISTOR,CHIP 5.6K 1/16W(1608)
R146	1-218-702-11	s RESISTOR CHIP 2.7K 1/16W(1608)
R147	1-218-710-11	s RESISTOR,CHIP 5.6K 1/16W(1608)
R148	1-218-680-11	s RESISTOR,CHIP 330 1/16W(1608)
R149	1-218-680-11	s RESISTOR,CHIP 330 1/16W(1608)
R150	1-218-696-11	s RESISTOR,CHIP 1.5K 1/16W(1608)
R151	1-218-696-11	s RESISTOR,CHIP 1.5K 1/16W(1608)
R152	1-218-676-11	s RESISTOR,CHIP 220 1/16W(1608)
R153	1-218-676-11	s RESISTOR,CHIP 220 1/16W(1608)
R154	1-218-660-91	s RESISTOR,CHIP 47 1/16W (1608)
R155	1-218-660-91	s RESISTOR,CHIP 47 1/16W (1608)
R156	1-218-660-91	s RESISTOR,CHIP 47 1/16W (1608)
R157	1-218-660-91	s RESISTOR,CHIP 47 1/16W (1608)
R165	*f 1-216-857-11	s RESISTOR,CHIP 1M 1/16W(1608)
R166	*g 1-218-700-11	s RESISTOR,CHIP 2.2K 1/16W(1608)
R254	*h 1-218-716-11	s RESISTOR,CHIP 10K 1/16W(1608)
R255	*h 1-218-716-11	s RESISTOR,CHIP 10K 1/16W(1608)
R256	*h 1-218-716-11	s RESISTOR,CHIP 10K 1/16W(1608)
R257	*h 1-218-660-91	s RESISTOR,CHIP 47 1/16W (1608)
R258	*h 1-218-660-91	s RESISTOR,CHIP 47 1/16W (1608)
R259	*h 1-218-660-91	s RESISTOR,CHIP 47 1/16W (1608)
R260	1-218-660-91	s RESISTOR,CHIP 47 1/16W (1608)
R261	1-218-660-91	s RESISTOR,CHIP 47 1/16W (1608)
R262	*h 1-218-720-11	s RESISTOR,CHIP 15K 1/16W(1608)
R263	*h 1-218-720-11	s RESISTOR,CHIP 15K 1/16W(1608)
R264	*h 1-218-720-11	s RESISTOR,CHIP 15K 1/16W(1608)
R265	*h 1-218-720-11	s RESISTOR,CHIP 15K 1/16W(1608)
R266	*h 1-218-716-11	s RESISTOR,CHIP 10K 1/16W(1608)
R267	*h 1-218-716-11	s RESISTOR,CHIP 10K 1/16W(1608)
R268	*h 1-218-716-11	s RESISTOR,CHIP 10K 1/16W(1608)
R269	*h 1-218-716-11	s RESISTOR,CHIP 10K 1/16W(1608)
R270	1-218-708-11	s RESISTOR,CHIP 4.7K 1/16W(1608)
R271	1-218-708-11	s RESISTOR,CHIP 4.7K 1/16W(1608)
R272	1-218-692-11	s RESISTOR,CHIP 1.0K 1/16W(1608)
R273	1-218-692-11	s RESISTOR,CHIP 1.0K 1/16W(1608)
R274	1-218-716-11	s RESISTOR,CHIP 10K 1/16W(1608)
R275	1-218-716-11	s RESISTOR,CHIP 10K 1/16W(1608)
R276	1-218-670-11	s RESISTOR,CHIP 120 1/16W (1608)
R277	1-218-670-11	s RESISTOR,CHIP 120 1/16W (1608)
R278	1-218-661-11	s RESISTOR,CHIP 51 1/16W (1608)
R279	1-218-680-11	s RESISTOR,CHIP 330 1/16W(1608)
R280	1-218-661-11	s RESISTOR,CHIP 51 1/16W (1608)
R281	1-218-680-11	s RESISTOR,CHIP 330 1/16W(1608)
R282	1-218-661-11	s RESISTOR,CHIP 51 1/16W (1608)
R283	1-218-700-11	s RESISTOR,CHIP 2.2K 1/16W(1608)
R284	1-218-661-11	s RESISTOR,CHIP 51 1/16W (1608)
R285	1-218-668-11	s RESISTOR,CHIP 100 1/16W (1608)
R286	1-218-700-11	s RESISTOR,CHIP 2.2K 1/16W(1608)
R287	1-218-668-11	s RESISTOR,CHIP 100 1/16W (1608)

(EQ-45A BOARD for DVW-A500P/500P, LOT No. 002 or higher)

(EQ-45A BOARD for DVW-A500P/500P, LOT No. 002 or higher)

Ref. No. or Q'ty	Part No.	SP	Description
R288	1-218-684-11	s	RESISTOR,CHIP 470 1/16W (1608)
R289	1-218-692-11	s	RESISTOR,CHIP 1.0K 1/16W(1608)
R290	1-218-660-91	s	RESISTOR,CHIP 47 1/16W (1608)
R291	1-218-684-11	s	RESISTOR,CHIP 470 1/16W (1608)
R292	1-218-692-11	s	RESISTOR,CHIP 1.0K 1/16W(1608)
R293	1-218-684-11	s	RESISTOR,CHIP 470 1/16W (1608)
R294	1-218-692-11	s	RESISTOR,CHIP 1.0K 1/16W(1608)
R295	1-218-660-91	s	RESISTOR,CHIP 47 1/16W (1608)
R296	1-218-660-91	s	RESISTOR,CHIP 47 1/16W (1608)
R401	1-218-644-11	s	RESISTOR,CHIP 10 1/16W
R402	1-218-644-11	s	RESISTOR,CHIP 10 1/16W
R403	1-218-692-11	s	RESISTOR,CHIP 1.0K 1/16W(1608)
R404	*d 1-218-650-11	s	RESISTOR,CHIP 18 1/16W (1608)
	*c 1-218-644-11	s	RESISTOR,CHIP 10 1/16W
R405	1-218-668-11	s	RESISTOR,CHIP 100 1/16W (1608)
R406	1-218-668-11	s	RESISTOR,CHIP 100 1/16W (1608)
R407	1-218-689-11	s	RESISTOR CHIP 750 1/16W (1608)
R408	1-218-684-11	s	RESISTOR,CHIP 470 1/16W (1608)
R410	1-218-660-91	s	RESISTOR,CHIP 47 1/16W (1608)
R411	1-218-664-11	s	RESISTOR,CHIP 68 1/16W (1608)
R412	1-218-735-11	s	RESISTOR CHIP 62K 1/16W(1608)
R413	1-218-702-11	s	RESISTOR CHIP 2.7K 1/16W(1608)
R414	1-218-668-11	s	RESISTOR,CHIP 100 1/16W (1608)
R415	1-218-690-11	s	RESISTOR,CHIP 820 1/16W (1608)
R416	1-218-689-11	s	RESISTOR CHIP 750 1/16W (1608)
R417	1-218-668-11	s	RESISTOR,CHIP 100 1/16W (1608)
R418	1-218-668-11	s	RESISTOR,CHIP 100 1/16W (1608)
R419	1-218-692-11	s	RESISTOR,CHIP 1.0K 1/16W(1608)
R420	1-218-692-11	s	RESISTOR,CHIP 1.0K 1/16W(1608)
R421	1-218-689-11	s	RESISTOR CHIP 750 1/16W (1608)
R422	1-218-692-11	s	RESISTOR,CHIP 1.0K 1/16W(1608)
R423	1-218-668-11	s	RESISTOR,CHIP 100 1/16W (1608)
R424	1-218-676-11	s	RESISTOR,CHIP 220 1/16W(1608)
R425	1-218-694-11	s	RESISTOR,CHIP 1.2K1/16W(1608)
R426	1-218-698-11	s	RESISTOR,CHIP 1.8K 1/16W(1608)
R427	1-218-696-11	s	RESISTOR,CHIP 1.5K 1/16W(1608)
R428	1-218-692-11	s	RESISTOR,CHIP 1.0K 1/16W(1608)
R430	1-218-715-11	s	RESISTOR,METAL 9.1K 1/16W
R431	1-218-676-11	s	RESISTOR,CHIP 220 1/16W(1608)
R432	1-218-692-11	s	RESISTOR,CHIP 1.0K 1/16W(1608)
R433	1-218-692-11	s	RESISTOR,CHIP 1.0K 1/16W(1608)
R434	1-218-696-11	s	RESISTOR,CHIP 1.5K 1/16W(1608)
R435	1-218-694-11	s	RESISTOR,CHIP 1.2K1/16W(1608)
R436	1-218-692-11	s	RESISTOR,CHIP 1.0K 1/16W(1608)
R437	1-218-716-11	s	RESISTOR,CHIP 10K 1/16W(1608)
R438	1-218-661-11	s	RESISTOR,CHIP 51 1/16W (1608)
R439	1-218-700-11	s	RESISTOR,CHIP 2.2K 1/16W(1608)
R440	1-216-855-11	s	RESISTOR, CHIP 680K 1/16W 1608
R441	1-218-716-11	s	RESISTOR,CHIP 10K 1/16W(1608)
R442	1-218-692-11	s	RESISTOR,CHIP 1.0K 1/16W(1608)
R443	1-218-668-11	s	RESISTOR,CHIP 100 1/16W (1608)
R444	1-218-676-11	s	RESISTOR,CHIP 220 1/16W(1608)
R445	1-218-676-11	s	RESISTOR,CHIP 220 1/16W(1608)
R446	1-218-684-11	s	RESISTOR,CHIP 470 1/16W (1608)
R447	1-218-663-11	s	RESISTOR,CHIP 62 1/16W (1608)
R448	1-218-730-11	s	RESISTOR METAL FILM CHIP 39K
R450	1-218-684-11	s	RESISTOR,CHIP 470 1/16W (1608)
R451	1-218-700-11	s	RESISTOR,CHIP 2.2K 1/16W(1608)
R452	1-218-660-91	s	RESISTOR,CHIP 47 1/16W (1608)

Ref. No. or Q'ty	Part No.	SP	Description
R453	1-218-700-11	s	RESISTOR,CHIP 2.2K 1/16W(1608)
R454	1-218-660-91	s	RESISTOR,CHIP 47 1/16W (1608)
R455	1-218-656-11	s	RESISTOR,CHIP 33 1/16W (1608)
R456	1-218-660-91	s	RESISTOR,CHIP 47 1/16W (1608)
R457	1-218-708-11	s	RESISTOR,CHIP 4.7K 1/16W(1608)
R458	1-218-660-91	s	RESISTOR,CHIP 47 1/16W (1608)
R459	1-218-708-11	s	RESISTOR,CHIP 4.7K 1/16W(1608)
R460	1-218-660-91	s	RESISTOR,CHIP 47 1/16W (1608)
R463	*f 1-218-692-11	s	RESISTOR,CHIP 1.0K 1/16W(1608)
R464	*f 1-218-692-11	s	RESISTOR,CHIP 1.0K 1/16W(1608)
R465	*f 1-218-692-11	s	RESISTOR,CHIP 1.0K 1/16W(1608)
R466	*f 1-218-692-11	s	RESISTOR,CHIP 1.0K 1/16W(1608)
R501	1-218-716-11	s	RESISTOR,CHIP 10K 1/16W(1608)
R502	1-218-660-91	s	RESISTOR,CHIP 47 1/16W (1608)
R503	1-218-644-11	s	RESISTOR,CHIP 10 1/16W
R504	1-218-644-11	s	RESISTOR,CHIP 10 1/16W
R505	1-218-692-11	s	RESISTOR,CHIP 1.0K 1/16W(1608)
R506	*d 1-218-650-11	s	RESISTOR,CHIP 18 1/16W (1608)
	*c 1-218-644-11	s	RESISTOR,CHIP 10 1/16W
R507	1-218-668-11	s	RESISTOR,CHIP 100 1/16W (1608)
R508	1-218-689-11	s	RESISTOR CHIP 750 1/16W (1608)
R509	1-218-684-11	s	RESISTOR,CHIP 470 1/16W (1608)
R511	1-218-660-91	s	RESISTOR,CHIP 47 1/16W (1608)
R512	1-218-664-11	s	RESISTOR,CHIP 68 1/16W (1608)
R513	1-218-735-11	s	RESISTOR CHIP 62K 1/16W(1608)
R514	1-218-702-11	s	RESISTOR CHIP 2.7K 1/16W(1608)
R515	1-218-668-11	s	RESISTOR,CHIP 100 1/16W (1608)
R516	1-218-690-11	s	RESISTOR,CHIP 820 1/16W (1608)
R517	1-218-689-11	s	RESISTOR CHIP 750 1/16W (1608)
R518	1-218-668-11	s	RESISTOR,CHIP 100 1/16W (1608)
R519	1-218-668-11	s	RESISTOR,CHIP 100 1/16W (1608)
R520	1-218-692-11	s	RESISTOR,CHIP 1.0K 1/16W(1608)
R521	1-218-692-11	s	RESISTOR,CHIP 1.0K 1/16W(1608)
R522	1-218-689-11	s	RESISTOR CHIP 750 1/16W (1608)
R523	1-218-692-11	s	RESISTOR,CHIP 1.0K 1/16W(1608)
R524	1-218-668-11	s	RESISTOR,CHIP 100 1/16W (1608)
R525	1-218-676-11	s	RESISTOR,CHIP 220 1/16W(1608)
R526	1-218-694-11	s	RESISTOR,CHIP 1.2K1/16W(1608)
R527	1-218-698-11	s	RESISTOR,CHIP 1.8K 1/16W(1608)
R528	1-218-696-11	s	RESISTOR,CHIP 1.5K 1/16W(1608)
R529	1-218-692-11	s	RESISTOR,CHIP 1.0K 1/16W(1608)
R530	1-218-715-11	s	RESISTOR,METAL 9.1K 1/16W
R531	1-218-692-11	s	RESISTOR,CHIP 1.0K 1/16W(1608)
R532	1-218-676-11	s	RESISTOR,CHIP 220 1/16W(1608)
R533	1-218-692-11	s	RESISTOR,CHIP 1.0K 1/16W(1608)
R534	1-218-696-11	s	RESISTOR,CHIP 1.5K 1/16W(1608)
R535	1-218-694-11	s	RESISTOR,CHIP 1.2K1/16W(1608)
R536	1-218-692-11	s	RESISTOR,CHIP 1.0K 1/16W(1608)
R537	1-218-660-91	s	RESISTOR,CHIP 47 1/16W (1608)
R538	1-218-700-11	s	RESISTOR,CHIP 2.2K 1/16W(1608)
R539	1-218-716-11	s	RESISTOR,CHIP 10K 1/16W(1608)
R540	1-218-661-11	s	RESISTOR,CHIP 51 1/16W (1608)
R541	1-218-668-11	s	RESISTOR,CHIP 100 1/16W (1608)
R542	1-218-676-11	s	RESISTOR,CHIP 220 1/16W(1608)
R543	1-218-676-11	s	RESISTOR,CHIP 220 1/16W(1608)
R544	1-218-684-11	s	RESISTOR,CHIP 470 1/16W (1608)
R545	1-216-855-11	s	RESISTOR, CHIP 680K 1/16W 1608
R546	1-218-716-11	s	RESISTOR,CHIP 10K 1/16W(1608)
R547	1-218-692-11	s	RESISTOR,CHIP 1.0K 1/16W(1608)

(EQ-45A BOARD for DVW-A500P/500P, LOT No. 002 or higher)

(EQ-45A BOARD for DVW-A500P/500P, LOT No. 002 or higher)

Ref. No. or Q'ty	Part No.	SP Description
R548	1-218-663-11	s RESISTOR,CHIP 62 1/16W (1608)
R549	1-218-730-11	s RESISTOR METAL FILM CHIP 39K
R551	1-218-684-11	s RESISTOR,CHIP 470 1/16W (1608)
R552	1-218-700-11	s RESISTOR,CHIP 2.2K 1/16W(1608)
R553	1-218-660-91	s RESISTOR,CHIP 47 1/16W (1608)
R554	1-218-700-11	s RESISTOR,CHIP 2.2K 1/16W(1608)
R555	1-218-660-91	s RESISTOR,CHIP 47 1/16W (1608)
R556	1-218-656-11	s RESISTOR,CHIP 33 1/16W (1608)
R558	1-218-660-91	s RESISTOR,CHIP 47 1/16W (1608)
R559	1-218-708-11	s RESISTOR,CHIP 4.7K 1/16W(1608)
R560	1-218-660-91	s RESISTOR,CHIP 47 1/16W (1608)
R561	1-218-708-11	s RESISTOR,CHIP 4.7K 1/16W(1608)
R562	*j 1-218-668-11	s RESISTOR,CHIP 100 1/16W (1608)
R601	1-218-692-11	s RESISTOR,CHIP 1.0K 1/16W(1608)
R602	1-218-644-11	s RESISTOR,CHIP 10 1/16W
R603	1-218-644-11	s RESISTOR,CHIP 10 1/16W
R604	*d 1-218-650-11	s RESISTOR,CHIP 18 1/16W (1608)
	*c 1-218-644-11	s RESISTOR,CHIP 10 1/16W
R605	1-218-668-11	s RESISTOR,CHIP 100 1/16W (1608)
R606	1-218-689-11	s RESISTOR CHIP 750 1/16W (1608)
R607	1-218-684-11	s RESISTOR,CHIP 470 1/16W (1608)
R609	1-218-660-91	s RESISTOR,CHIP 47 1/16W (1608)
R610	1-218-664-11	s RESISTOR,CHIP 68 1/16W (1608)
R611	1-218-735-11	s RESISTOR CHIP 62K 1/16W(1608)
R612	1-218-702-11	s RESISTOR CHIP 2.7K 1/16W(1608)
R613	1-218-668-11	s RESISTOR,CHIP 100 1/16W (1608)
R614	1-218-690-11	s RESISTOR,CHIP 820 1/16W (1608)
R615	1-218-689-11	s RESISTOR CHIP 750 1/16W (1608)
R616	1-218-668-11	s RESISTOR,CHIP 100 1/16W (1608)
R617	1-218-692-11	s RESISTOR,CHIP 1.0K 1/16W(1608)
R618	1-218-689-11	s RESISTOR CHIP 750 1/16W (1608)
R619	1-218-676-11	s RESISTOR,CHIP 220 1/16W(1608)
R620	1-218-698-11	s RESISTOR,CHIP 1.8K 1/16W(1608)
R621	1-218-696-11	s RESISTOR,CHIP 1.5K 1/16W(1608)
R622	1-218-715-11	s RESISTOR,METAL 9.1K 1/16W
R623	1-218-692-11	s RESISTOR,CHIP 1.0K 1/16W(1608)
R624	1-218-676-11	s RESISTOR,CHIP 220 1/16W(1608)
R625	1-218-696-11	s RESISTOR,CHIP 1.5K 1/16W(1608)
R626	1-218-694-11	s RESISTOR,CHIP 1.2K1/16W(1608)
R627	1-218-660-91	s RESISTOR,CHIP 47 1/16W (1608)
R628	1-218-700-11	s RESISTOR,CHIP 2.2K 1/16W(1608)
R629	1-218-716-11	s RESISTOR,CHIP 10K 1/16W(1608)
R630	1-218-668-11	s RESISTOR,CHIP 100 1/16W (1608)
R631	1-218-676-11	s RESISTOR,CHIP 220 1/16W(1608)
R632	1-218-676-11	s RESISTOR,CHIP 220 1/16W(1608)
R633	1-218-684-11	s RESISTOR,CHIP 470 1/16W (1608)
R634	1-216-855-11	s RESISTOR, CHIP 680K 1/16W 1608
R635	1-218-716-11	s RESISTOR,CHIP 10K 1/16W(1608)
R636	1-218-692-11	s RESISTOR,CHIP 1.0K 1/16W(1608)
R637	1-218-663-11	s RESISTOR,CHIP 62 1/16W (1608)
R638	1-218-730-11	s RESISTOR METAL FILM CHIP 39K
R640	1-218-684-11	s RESISTOR,CHIP 470 1/16W (1608)
R641	1-218-700-11	s RESISTOR,CHIP 2.2K 1/16W(1608)
R642	1-218-660-91	s RESISTOR,CHIP 47 1/16W (1608)
R643	1-218-700-11	s RESISTOR,CHIP 2.2K 1/16W(1608)
R644	1-218-656-11	s RESISTOR,CHIP 33 1/16W (1608)
R645	1-218-660-91	s RESISTOR,CHIP 47 1/16W (1608)
R646	1-218-660-91	s RESISTOR,CHIP 47 1/16W (1608)
R647	1-218-708-11	s RESISTOR,CHIP 4.7K 1/16W(1608)

Ref. No. or Q'ty	Part No.	SP Description
R648	1-218-660-91	s RESISTOR,CHIP 47 1/16W (1608)
R649	1-218-708-11	s RESISTOR,CHIP 4.7K 1/16W(1608)
R650	*j 1-218-668-11	s RESISTOR,CHIP 100 1/16W (1608)
R701	1-218-716-11	s RESISTOR,CHIP 10K 1/16W(1608)
R702	1-218-660-91	s RESISTOR,CHIP 47 1/16W (1608)
R703	1-218-692-11	s RESISTOR,CHIP 1.0K 1/16W(1608)
R704	1-218-644-11	s RESISTOR,CHIP 10 1/16W
R705	1-218-644-11	s RESISTOR,CHIP 10 1/16W
R706	*d 1-218-650-11	s RESISTOR,CHIP 18 1/16W (1608)
	*c 1-218-644-11	s RESISTOR,CHIP 10 1/16W
R707	1-218-668-11	s RESISTOR,CHIP 100 1/16W (1608)
R708	1-218-689-11	s RESISTOR CHIP 750 1/16W (1608)
R709	1-218-684-11	s RESISTOR,CHIP 470 1/16W (1608)
R711	1-218-660-91	s RESISTOR,CHIP 47 1/16W (1608)
R712	1-218-664-11	s RESISTOR,CHIP 68 1/16W (1608)
R713	1-218-735-11	s RESISTOR CHIP 62K 1/16W(1608)
R714	1-218-702-11	s RESISTOR CHIP 2.7K 1/16W(1608)
R715	1-218-668-11	s RESISTOR,CHIP 100 1/16W (1608)
R716	1-218-690-11	s RESISTOR,CHIP 820 1/16W (1608)
R717	1-218-689-11	s RESISTOR CHIP 750 1/16W (1608)
R718	1-218-668-11	s RESISTOR,CHIP 100 1/16W (1608)
R719	1-218-692-11	s RESISTOR,CHIP 1.0K 1/16W(1608)
R720	1-218-689-11	s RESISTOR CHIP 750 1/16W (1608)
R721	1-218-676-11	s RESISTOR,CHIP 220 1/16W(1608)
R722	1-218-698-11	s RESISTOR,CHIP 1.8K 1/16W(1608)
R723	1-218-696-11	s RESISTOR,CHIP 1.5K 1/16W(1608)
R724	1-218-715-11	s RESISTOR,METAL 9.1K 1/16W
R725	1-218-676-11	s RESISTOR,CHIP 220 1/16W(1608)
R726	1-218-692-11	s RESISTOR,CHIP 1.0K 1/16W(1608)
R727	1-218-696-11	s RESISTOR,CHIP 1.5K 1/16W(1608)
R728	1-218-694-11	s RESISTOR,CHIP 1.2K1/16W(1608)
R729	1-218-660-91	s RESISTOR,CHIP 47 1/16W (1608)
R730	1-218-700-11	s RESISTOR,CHIP 2.2K 1/16W(1608)
R731	1-218-716-11	s RESISTOR,CHIP 10K 1/16W(1608)
R732	1-218-668-11	s RESISTOR,CHIP 100 1/16W (1608)
R733	1-218-676-11	s RESISTOR,CHIP 220 1/16W(1608)
R734	1-218-676-11	s RESISTOR,CHIP 220 1/16W(1608)
R735	1-218-684-11	s RESISTOR,CHIP 470 1/16W (1608)
R736	1-216-855-11	s RESISTOR, CHIP 680K 1/16W 1608
R737	1-218-716-11	s RESISTOR,CHIP 10K 1/16W(1608)
R738	1-218-692-11	s RESISTOR,CHIP 1.0K 1/16W(1608)
R739	1-218-663-11	s RESISTOR,CHIP 62 1/16W (1608)
R740	1-218-730-11	s RESISTOR METAL FILM CHIP 39K
R742	1-218-684-11	s RESISTOR,CHIP 470 1/16W (1608)
R743	1-218-700-11	s RESISTOR,CHIP 2.2K 1/16W(1608)
R744	1-218-660-91	s RESISTOR,CHIP 47 1/16W (1608)
R745	1-218-700-11	s RESISTOR,CHIP 2.2K 1/16W(1608)
R746	1-218-660-91	s RESISTOR,CHIP 47 1/16W (1608)
R747	1-218-656-11	s RESISTOR,CHIP 33 1/16W (1608)
R748	1-218-660-91	s RESISTOR,CHIP 47 1/16W (1608)
R749	1-218-708-11	s RESISTOR,CHIP 4.7K 1/16W(1608)
R750	1-218-660-91	s RESISTOR,CHIP 47 1/16W (1608)
R751	1-218-708-11	s RESISTOR,CHIP 4.7K 1/16W(1608)
R752	*j 1-218-668-11	s RESISTOR,CHIP 100 1/16W (1608)
R805	1-218-692-11	s RESISTOR,CHIP 1.0K 1/16W(1608)
R806	1-218-692-11	s RESISTOR,CHIP 1.0K 1/16W(1608)
R807	1-218-732-11	s RESISTOR,CHIP 47K 1/16W(1608)
R808	1-218-714-11	s RESISTOR,CHIP 8.2K 1/16W(1608)
R809	1-218-732-11	s RESISTOR,CHIP 47K 1/16W(1608)

(EQ-45A BOARD for DVW-A500P/500P, LOT No. 002 or higher)

Ref. No. or Q'ty	Part No.	SP	Description
R810	1-218-708-11	s	RESISTOR,CHIP 4.7K 1/16W(1608)
R811	1-218-732-11	s	RESISTOR,CHIP 47K 1/16W(1608)
R812	1-218-714-11	s	RESISTOR,CHIP 8.2K 1/16W(1608)
R813	1-218-732-11	s	RESISTOR,CHIP 47K 1/16W(1608)
R814	1-218-724-11	s	RESISTOR,CHIP 22K 1/16W(1608)
R815	1-218-724-11	s	RESISTOR,CHIP 22K 1/16W(1608)
R816	1-218-724-11	s	RESISTOR,CHIP 22K 1/16W(1608)
R817	1-218-724-11	s	RESISTOR,CHIP 22K 1/16W(1608)
R818	1-216-864-11	s	RESISTOR,CHIP 0 1/16W (1608)
R819	1-216-864-11	s	RESISTOR,CHIP 0 1/16W (1608)
R820	1-218-712-11	s	RESISTOR,METAL 6.8K 1/16W
R821	1-218-719-11	s	RESISTOR,METAL 13K 1/16
R822	1-218-712-11	s	RESISTOR,METAL 6.8K 1/16W
R823	1-218-719-11	s	RESISTOR,METAL 13K 1/16
R824	1-218-716-11	s	RESISTOR,CHIP 10K 1/16W(1608)
R825	1-218-750-11	s	RESISTOR,CHIP 270K 1/16W(1608)
R826	1-218-709-11	s	RESISTOR,CHIP 5.1K 1/16W
R827	1-218-712-11	s	RESISTOR,METAL 6.8K 1/16W
R828	1-218-695-11	s	RESISTOR,CHIP 1.3K 1/16W(1608)
R829	1-218-709-11	s	RESISTOR,CHIP 5.1K 1/16W
R830	1-218-712-11	s	RESISTOR,METAL 6.8K 1/16W
R831	1-218-695-11	s	RESISTOR,CHIP 1.3K 1/16W(1608)
R832	1-218-702-11	s	RESISTOR CHIP 2.7K 1/16W(1608)
R833	1-218-702-11	s	RESISTOR CHIP 2.7K 1/16W(1608)
R834	1-218-720-11	s	RESISTOR,CHIP 15K 1/16W(1608)
R835	1-218-720-11	s	RESISTOR,CHIP 15K 1/16W(1608)
R836	1-218-702-11	s	RESISTOR CHIP 2.7K 1/16W(1608)
R837	1-218-702-11	s	RESISTOR CHIP 2.7K 1/16W(1608)
R838	1-218-719-11	s	RESISTOR,METAL 13K 1/16
R839	1-218-652-11	s	RESISTOR,CHIP 22 1/16W (1608)
R840	1-218-719-11	s	RESISTOR,METAL 13K 1/16
R841	1-218-652-11	s	RESISTOR,CHIP 22 1/16W (1608)
R842	1-218-716-11	s	RESISTOR,CHIP 10K 1/16W(1608)
R843	1-218-716-11	s	RESISTOR,CHIP 10K 1/16W(1608)
R844	1-218-716-11	s	RESISTOR,CHIP 10K 1/16W(1608)
R845	1-218-716-11	s	RESISTOR,CHIP 10K 1/16W(1608)
R846	1-218-677-11	s	RESISTOR,CHIP 240 1/16W (1608)
R847	1-218-677-11	s	RESISTOR,CHIP 240 1/16W (1608)
R848	1-218-716-11	s	RESISTOR,CHIP 10K 1/16W(1608)
R849	1-218-716-11	s	RESISTOR,CHIP 10K 1/16W(1608)
R850	1-218-716-11	s	RESISTOR,CHIP 10K 1/16W(1608)
R851	1-218-716-11	s	RESISTOR,CHIP 10K 1/16W(1608)
R852	1-218-652-11	s	RESISTOR,CHIP 22 1/16W (1608)
R853	1-218-652-11	s	RESISTOR,CHIP 22 1/16W (1608)
R854	1-218-719-11	s	RESISTOR,METAL 13K 1/16
R855	1-218-719-11	s	RESISTOR,METAL 13K 1/16
R856	*af 1-218-660-91	s	RESISTOR,CHIP 47 1/16W (1608)
	*b 1-216-864-11	s	RESISTOR,CHIP 0 1/16W (1608)
R857	*af 1-218-660-91	s	RESISTOR,CHIP 47 1/16W (1608)
	*b 1-216-864-11	s	RESISTOR,CHIP 0 1/16W (1608)
R858	1-218-688-11	s	RESISTOR,CHIP 680 1/16W(1608)
R859	1-218-688-11	s	RESISTOR,CHIP 680 1/16W(1608)
R860	1-218-700-11	s	RESISTOR,CHIP 2.2K 1/16W(1608)
R861	1-218-688-11	s	RESISTOR,CHIP 680 1/16W(1608)
R862	1-218-700-11	s	RESISTOR,CHIP 2.2K 1/16W(1608)
R863	1-218-688-11	s	RESISTOR,CHIP 680 1/16W(1608)
R864	1-218-709-11	s	RESISTOR,CHIP 5.1K 1/16W
R865	1-218-720-11	s	RESISTOR,CHIP 15K 1/16W(1608)
R866	1-218-709-11	s	RESISTOR,CHIP 5.1K 1/16W

(EQ-45A BOARD for DVW-A500P/500P, LOT No. 002 or higher)

Ref. No. or Q'ty	Part No.	SP	Description
R867	1-218-720-11	s	RESISTOR,CHIP 15K 1/16W(1608)
R868	1-218-709-11	s	RESISTOR,CHIP 5.1K 1/16W
R869	1-218-720-11	s	RESISTOR,CHIP 15K 1/16W(1608)
R870	1-218-709-11	s	RESISTOR,CHIP 5.1K 1/16W
R871	1-218-720-11	s	RESISTOR,CHIP 15K 1/16W(1608)
R872	1-218-716-11	s	RESISTOR,CHIP 10K 1/16W(1608)
R873	1-218-716-11	s	RESISTOR,CHIP 10K 1/16W(1608)
R874	*i 1-218-660-91	s	RESISTOR,CHIP 47 1/16W (1608)
	*e 1-218-676-11	s	RESISTOR,CHIP 220 1/16W(1608)
R875	*i 1-218-660-91	s	RESISTOR,CHIP 47 1/16W (1608)
	*e 1-218-676-11	s	RESISTOR,CHIP 220 1/16W(1608)
R876	*i 1-218-660-91	s	RESISTOR,CHIP 47 1/16W (1608)
	*e 1-218-676-11	s	RESISTOR,CHIP 220 1/16W(1608)
R877	*i 1-218-660-91	s	RESISTOR,CHIP 47 1/16W (1608)
	*e 1-218-676-11	s	RESISTOR,CHIP 220 1/16W(1608)
R878	*f 1-218-660-91	s	RESISTOR,CHIP 47 1/16W (1608)
	*e 1-218-676-11	s	RESISTOR,CHIP 220 1/16W(1608)
R879	*i 1-218-660-91	s	RESISTOR,CHIP 47 1/16W (1608)
	*e 1-218-676-11	s	RESISTOR,CHIP 220 1/16W(1608)
R880	*i 1-218-660-91	s	RESISTOR,CHIP 47 1/16W (1608)
	*e 1-218-676-11	s	RESISTOR,CHIP 220 1/16W(1608)
R881	*i 1-218-660-91	s	RESISTOR,CHIP 47 1/16W (1608)
	*e 1-218-676-11	s	RESISTOR,CHIP 220 1/16W(1608)
R882	*i 1-218-660-91	s	RESISTOR,CHIP 47 1/16W (1608)
	*e 1-218-676-11	s	RESISTOR,CHIP 220 1/16W(1608)
R883	*f 1-218-660-91	s	RESISTOR,CHIP 47 1/16W (1608)
	*e 1-218-676-11	s	RESISTOR,CHIP 220 1/16W(1608)
R884	1-218-732-11	s	RESISTOR,CHIP 47K 1/16W(1608)
R885	1-218-732-11	s	RESISTOR,CHIP 47K 1/16W(1608)
R886	1-218-660-91	s	RESISTOR,CHIP 47 1/16W (1608)
R887	*h 1-218-660-91	s	RESISTOR,CHIP 47 1/16W (1608)
R888	*h 1-218-660-91	s	RESISTOR,CHIP 47 1/16W (1608)
R889	*h 1-218-660-91	s	RESISTOR,CHIP 47 1/16W (1608)
R890	*h 1-218-660-91	s	RESISTOR,CHIP 47 1/16W (1608)
R891	1-218-660-91	s	RESISTOR,CHIP 47 1/16W (1608)
R892	*h 1-218-660-91	s	RESISTOR,CHIP 47 1/16W (1608)
R893	*h 1-218-660-91	s	RESISTOR,CHIP 47 1/16W (1608)
R894	*h 1-218-660-91	s	RESISTOR,CHIP 47 1/16W (1608)
R895	*h 1-218-660-91	s	RESISTOR,CHIP 47 1/16W (1608)
R896	1-218-660-91	s	RESISTOR,CHIP 47 1/16W (1608)
R897	1-218-660-91	s	RESISTOR,CHIP 47 1/16W (1608)
R898	*f 1-218-660-91	s	RESISTOR,CHIP 47 1/16W (1608)
R899	*f 1-218-660-91	s	RESISTOR,CHIP 47 1/16W (1608)
R903	1-218-692-11	s	RESISTOR,CHIP 1.0K 1/16W(1608)
R904	1-218-692-11	s	RESISTOR,CHIP 1.0K 1/16W(1608)
R905	1-218-732-11	s	RESISTOR,CHIP 47K 1/16W(1608)
R906	1-218-714-11	s	RESISTOR,CHIP 8.2K 1/16W(1608)
R907	1-218-732-11	s	RESISTOR,CHIP 47K 1/16W(1608)
R908	1-218-732-11	s	RESISTOR,CHIP 47K 1/16W(1608)
R909	1-218-714-11	s	RESISTOR,CHIP 8.2K 1/16W(1608)
R910	1-218-732-11	s	RESISTOR,CHIP 47K 1/16W(1608)
R911	1-218-724-11	s	RESISTOR,CHIP 22K 1/16W(1608)
R912	1-218-724-11	s	RESISTOR,CHIP 22K 1/16W(1608)
R913	1-218-724-11	s	RESISTOR,CHIP 22K 1/16W(1608)
R914	1-218-724-11	s	RESISTOR,CHIP 22K 1/16W(1608)
R915	1-216-864-11	s	RESISTOR,CHIP 0 1/16W (1608)
R916	1-216-864-11	s	RESISTOR,CHIP 0 1/16W (1608)
R917	1-218-712-11	s	RESISTOR,METAL 6.8K 1/16W
R918	1-218-719-11	s	RESISTOR,METAL 13K 1/16
R919	1-218-712-11	s	RESISTOR,METAL 6.8K 1/16W

(EQ-45A BOARD for DVW-A500P/500P, LOT No. 002 or higher)

(EQ-45A BOARD for DVW-A500P/500P, LOT No. 002 or higher)

Ref. No. or Q'ty	Part No.	SP Description
R920	1-218-719-11	s RESISTOR,METAL 13K 1/16
R921	1-218-709-11	s RESISTOR,CHIP 5.1K 1/16W
R922	1-218-712-11	s RESISTOR,METAL 6.8K 1/16W
R923	1-218-695-11	s RESISTOR,CHIP 1.3K 1/16W(1608)
R924	1-218-709-11	s RESISTOR,CHIP 5.1K 1/16W
R925	1-218-712-11	s RESISTOR,METAL 6.8K 1/16W
R926	1-218-695-11	s RESISTOR,CHIP 1.3K 1/16W(1608)
R927	1-218-702-11	s RESISTOR CHIP 2.7K 1/16W(1608)
R928	1-218-702-11	s RESISTOR CHIP 2.7K 1/16W(1608)
R929	1-218-720-11	s RESISTOR,CHIP 15K 1/16W(1608)
R930	1-218-720-11	s RESISTOR,CHIP 15K 1/16W(1608)
R931	1-218-702-11	s RESISTOR CHIP 2.7K 1/16W(1608)
R932	1-218-702-11	s RESISTOR CHIP 2.7K 1/16W(1608)
R933	1-218-719-11	s RESISTOR,METAL 13K 1/16
R934	1-218-652-11	s RESISTOR,CHIP 22 1/16W (1608)
R935	1-218-719-11	s RESISTOR,METAL 13K 1/16
R936	1-218-652-11	s RESISTOR,CHIP 22 1/16W (1608)
R937	1-218-716-11	s RESISTOR,CHIP 10K 1/16W(1608)
R938	1-218-716-11	s RESISTOR,CHIP 10K 1/16W(1608)
R939	1-218-716-11	s RESISTOR,CHIP 10K 1/16W(1608)
R940	1-218-716-11	s RESISTOR,CHIP 10K 1/16W(1608)
R941	1-218-677-11	s RESISTOR,CHIP 240 1/16W (1608)
R942	1-218-677-11	s RESISTOR,CHIP 240 1/16W (1608)
R943	1-218-716-11	s RESISTOR,CHIP 10K 1/16W(1608)
R944	1-218-716-11	s RESISTOR,CHIP 10K 1/16W(1608)
R945	1-218-716-11	s RESISTOR,CHIP 10K 1/16W(1608)
R946	1-218-716-11	s RESISTOR,CHIP 10K 1/16W(1608)
R947	1-218-652-11	s RESISTOR,CHIP 22 1/16W (1608)
R948	1-218-652-11	s RESISTOR,CHIP 22 1/16W (1608)
R949	1-218-719-11	s RESISTOR,METAL 13K 1/16
R950	1-218-719-11	s RESISTOR,METAL 13K 1/16
R951	*af 1-218-660-91	s RESISTOR,CHIP 47 1/16W (1608)
	*b 1-216-864-11	s RESISTOR,CHIP 0 1/16W (1608)
R952	*af 1-218-660-91	s RESISTOR,CHIP 47 1/16W (1608)
	*b 1-216-864-11	s RESISTOR,CHIP 0 1/16W (1608)
R953	1-218-688-11	s RESISTOR,CHIP 680 1/16W(1608)
R954	1-218-688-11	s RESISTOR,CHIP 680 1/16W(1608)
R955	1-218-700-11	s RESISTOR,CHIP 2.2K 1/16W(1608)
R956	1-218-688-11	s RESISTOR,CHIP 680 1/16W(1608)
R957	1-218-700-11	s RESISTOR,CHIP 2.2K 1/16W(1608)
R958	1-218-688-11	s RESISTOR,CHIP 680 1/16W(1608)
R959	1-218-709-11	s RESISTOR,CHIP 5.1K 1/16W
R960	1-218-720-11	s RESISTOR,CHIP 15K 1/16W(1608)
R961	1-218-709-11	s RESISTOR,CHIP 5.1K 1/16W
R962	1-218-720-11	s RESISTOR,CHIP 15K 1/16W(1608)
R963	1-218-709-11	s RESISTOR,CHIP 5.1K 1/16W
R964	1-218-720-11	s RESISTOR,CHIP 15K 1/16W(1608)
R965	1-218-709-11	s RESISTOR,CHIP 5.1K 1/16W
R966	1-218-720-11	s RESISTOR,CHIP 15K 1/16W(1608)
R967	1-218-716-11	s RESISTOR,CHIP 10K 1/16W(1608)
R968	1-218-716-11	s RESISTOR,CHIP 10K 1/16W(1608)
R969	*i 1-218-660-91	s RESISTOR,CHIP 47 1/16W (1608)
	*e 1-218-676-11	s RESISTOR,CHIP 220 1/16W(1608)
R970	*i 1-218-660-91	s RESISTOR,CHIP 47 1/16W (1608)
	*e 1-218-676-11	s RESISTOR,CHIP 220 1/16W(1608)
R971	*i 1-218-660-91	s RESISTOR,CHIP 47 1/16W (1608)
	*e 1-218-676-11	s RESISTOR,CHIP 220 1/16W(1608)
R972	*i 1-218-660-91	s RESISTOR,CHIP 47 1/16W (1608)
	*e 1-218-676-11	s RESISTOR,CHIP 220 1/16W(1608)

Ref. No. or Q'ty	Part No.	SP Description
R973	*f 1-218-660-91	s RESISTOR,CHIP 47 1/16W (1608)
	*e 1-218-676-11	s RESISTOR,CHIP 220 1/16W(1608)
R974	*i 1-218-660-91	s RESISTOR,CHIP 47 1/16W (1608)
	*e 1-218-676-11	s RESISTOR,CHIP 220 1/16W(1608)
R975	*i 1-218-660-91	s RESISTOR,CHIP 47 1/16W (1608)
	*e 1-218-676-11	s RESISTOR,CHIP 220 1/16W(1608)
R976	*i 1-218-660-91	s RESISTOR,CHIP 47 1/16W (1608)
	*e 1-218-676-11	s RESISTOR,CHIP 220 1/16W(1608)
R977	*i 1-218-660-91	s RESISTOR,CHIP 47 1/16W (1608)
	*e 1-218-676-11	s RESISTOR,CHIP 220 1/16W(1608)
R978	*f 1-218-660-91	s RESISTOR,CHIP 47 1/16W (1608)
	*e 1-218-676-11	s RESISTOR,CHIP 220 1/16W(1608)
R979	1-218-660-91	s RESISTOR,CHIP 47 1/16W (1608)
R980	*h 1-218-660-91	s RESISTOR,CHIP 47 1/16W (1608)
R981	*h 1-218-660-91	s RESISTOR,CHIP 47 1/16W (1608)
R982	*h 1-218-660-91	s RESISTOR,CHIP 47 1/16W (1608)
R983	*h 1-218-660-91	s RESISTOR,CHIP 47 1/16W (1608)
R984	1-218-660-91	s RESISTOR,CHIP 47 1/16W (1608)
R985	*h 1-218-660-91	s RESISTOR,CHIP 47 1/16W (1608)
R986	*h 1-218-660-91	s RESISTOR,CHIP 47 1/16W (1608)
R987	*h 1-218-660-91	s RESISTOR,CHIP 47 1/16W (1608)
R988	*h 1-218-660-91	s RESISTOR,CHIP 47 1/16W (1608)
R989	1-218-660-91	s RESISTOR,CHIP 47 1/16W (1608)
R990	1-218-660-91	s RESISTOR,CHIP 47 1/16W (1608)
R993	*f 1-218-660-91	s RESISTOR,CHIP 47 1/16W (1608)
R994	*f 1-218-660-91	s RESISTOR,CHIP 47 1/16W (1608)
RB100	*j 1-239-409-11	s RESISTOR NETWORK 47 (1608)
RB101	*j 1-236-908-11	s RESISTOR,NETWORK 10K (3216)
RB102	*j 1-236-904-11	s RESISTOR NETWORK 1K (1608)
RB200	*j 1-236-908-11	s RESISTOR,NETWORK 10K (3216)
RB201	*j 1-239-409-11	s RESISTOR NETWORK 47 (1608)
RB202	*j 1-239-286-11	s RESISTOR, NETWORK 22K (1608)
RB203	*j 1-236-908-11	s RESISTOR,NETWORK 10K (3216)
RB800	*j 1-239-409-11	s RESISTOR NETWORK 47 (1608)
RB801	*j 1-239-409-11	s RESISTOR NETWORK 47 (1608)
RB802	*j 1-239-409-11	s RESISTOR NETWORK 47 (1608)
RB803	*j 1-239-409-11	s RESISTOR NETWORK 47 (1608)
RB900	*j 1-239-409-11	s RESISTOR NETWORK 47 (1608)
RB901	*j 1-239-409-11	s RESISTOR NETWORK 47 (1608)
RB902	*j 1-239-409-11	s RESISTOR NETWORK 47 (1608)
RB903	*j 1-239-409-11	s RESISTOR NETWORK 47 (1608)
RV401	1-237-031-11	s RESISTOR,ADJ,CERMET 200
RV501	1-237-031-11	s RESISTOR,ADJ,CERMET 200
RV601	1-237-031-11	s RESISTOR,ADJ,CERMET 200
RV701	1-237-031-11	s RESISTOR,ADJ,CERMET 200
RV801	1-237-036-11	s RESISTOR, ADJ,CERMET 10K
RV802	1-241-261-41	s RESISTOR, ADJ, CERMET 1K
RV803	1-237-036-11	s RESISTOR, ADJ,CERMET 10K
RV804	1-241-261-41	s RESISTOR, ADJ, CERMET 1K
RV901	1-237-036-11	s RESISTOR, ADJ,CERMET 10K
RV902	1-241-261-41	s RESISTOR, ADJ, CERMET 1K
RV903	1-237-036-11	s RESISTOR, ADJ,CERMET 10K
RV904	1-241-261-41	s RESISTOR, ADJ, CERMET 1K
S100	1-570-711-11	s SWITCH,SLIDE
S700	1-572-473-11	s SWITCH, TACTIL
S701	1-572-473-11	s SWITCH, TACTIL
X100	1-781-829-22	s OSCILLATOR, CRYSTAL (SMD)
X101	1-781-828-22	s OSCILLATOR, CRYSTAL (SMD)



-----  
 EQ-45A BOARD for DVW-A500P, LOT No. 302 through 001  
 -----

Ref. No. or Q'ty	Part No.	SP	Description
1pc	A-8275-084-A	o	MOUNTED CIRCUIT BOARD, EQ-45AP (For Europa model)
	A-8275-273-A	o	MOUNTED CIRCUIT BOARD, EQ-45APG (For USA and Canada models)
1pc	3-179-084-01	s	LEVER (R), PC BOARD
1pc	3-179-085-01	s	LEVER (L), PC BOARD
12pcs	3-182-839-01	o	BRACKET, HEAT SINK RETAINER
4pcs	3-182-840-01	o	HEAT SINK (EQ) For IC401, 501, 601, 701
8pcs	3-185-973-01	o	HEAT SINK (PLL) For IC801-804, 901-904
C1	1-126-396-11	s	ELECT, CHIP 47uF 20% 16V
C2	1-162-970-11	s	CERAMIC, CHIP 0.01uF 10% 25V (1608)
C3	1-126-392-11	s	ELECT, CHIP 100uF 20% 6.3V
C4	1-162-970-11	s	CERAMIC, CHIP 0.01uF 10% 25V (1608)
C5	1-126-392-11	s	ELECT, CHIP 100uF 20% 6.3V
C6	1-162-970-11	s	CERAMIC, CHIP 0.01uF 10% 25V (1608)
C7	1-126-396-11	s	ELECT, CHIP 47uF 20% 16V
C8	1-162-970-11	s	CERAMIC, CHIP 0.01uF 10% 25V (1608)
C100	*4 1-164-156-11	s	CERAMIC, CHIP 0.1uF 25V (1608)
C101-107	1-162-970-11	s	CERAMIC, CHIP 0.01uF 10% 25V (1608)
C108	1-126-399-11	s	ELECT, CHIP 10uF 20% 35V
C109	1-162-970-11	s	CERAMIC, CHIP 0.01uF 10% 25V (1608)
C110	1-162-970-11	s	CERAMIC, CHIP 0.01uF 10% 25V (1608)
C111	1-126-399-11	s	ELECT, CHIP 10uF 20% 35V
C112	1-162-970-11	s	CERAMIC, CHIP 0.01uF 10% 25V (1608)
C113	1-162-970-11	s	CERAMIC, CHIP 0.01uF 10% 25V (1608)
C114	1-126-399-11	s	ELECT, CHIP 10uF 20% 35V
C115	1-162-970-11	s	CERAMIC, CHIP 0.01uF 10% 25V (1608)
C116	1-164-156-11	s	CERAMIC, CHIP 0.1uF 25V (1608)
C117-120	1-162-970-11	s	CERAMIC, CHIP 0.01uF 10% 25V (1608)
C121	1-164-156-11	s	CERAMIC, CHIP 0.1uF 25V (1608)
C122	1-162-970-11	s	CERAMIC, CHIP 0.01uF 10% 25V (1608)
C123	1-126-392-11	s	ELECT, CHIP 100uF 20% 6.3V
C201	1-162-970-11	s	CERAMIC, CHIP 0.01uF 10% 25V (1608)
C202	1-164-315-11	s	CERAMIC, CHIP 470pF 5% 50V (1608)
C203	1-162-970-11	s	CERAMIC, CHIP 0.01uF 10% 25V (1608)
C204-207	1-164-156-11	s	CERAMIC, CHIP 0.1uF 25V (1608)
C209	1-126-392-11	s	ELECT, CHIP 100uF 20% 6.3V
C210	1-126-392-11	s	ELECT, CHIP 100uF 20% 6.3V
C211-213	1-162-970-11	s	CERAMIC, CHIP 0.01uF 10% 25V (1608)
C214	1-164-156-11	s	CERAMIC, CHIP 0.1uF 25V (1608)
C215	*4 1-162-919-11	s	CERAMIC, CHIP 22pF 5% 50V (1608)
	*1 1-162-915-11	s	CERAMIC, CHIP 10pF 50V (1608)
C216	*4 1-162-919-11	s	CERAMIC, CHIP 22pF 5% 50V (1608)
	*1 1-162-915-11	s	CERAMIC, CHIP 10pF 50V (1608)
C217	1-162-970-11	s	CERAMIC, CHIP 0.01uF 10% 25V (1608)
C218-221	1-164-156-11	s	CERAMIC, CHIP 0.1uF 25V (1608)
C222	1-162-964-11	s	CERAMIC, CHIP 1000pF 10% 50V (1608)
C223	1-162-970-11	s	CERAMIC, CHIP 0.01uF 10% 25V (1608)
C224	*3 1-164-156-11	s	CERAMIC, CHIP 0.1uF 25V (1608)
C225	1-164-156-11	s	CERAMIC, CHIP 0.1uF 25V (1608)
C226	*3 1-162-970-11	s	CERAMIC, CHIP 0.01uF 10% 25V (1608)
C228	1-162-970-11	s	CERAMIC, CHIP 0.01uF 10% 25V (1608)

-----  
 \*1: Board No. suffix 11 only  
 \*3: Board No. suffix 11 or 12

(EQ-45A BOARD for DVW-A500P, LOT No. 302 through 001)

Ref. No. or Q'ty	Part No.	SP	Description
C229	1-162-964-11	s	CERAMIC, CHIP 1000pF 10% 50V (1608)
C230	1-162-910-11	s	CERAMIC, CHIP 5pF 50V (1608)
C231	1-162-918-11	s	CERAMIC, CHIP 18pF 5% 50V (1608)
C234-236	1-164-315-11	s	CERAMIC, CHIP 470pF 5% 50V (1608)
C237	1-162-970-11	s	CERAMIC, CHIP 0.01uF 10% 25V (1608)
C250-253	1-164-156-11	s	CERAMIC, CHIP 0.1uF 25V (1608)
C301-304	1-164-156-11	s	CERAMIC, CHIP 0.1uF 25V (1608)
C341	*3 1-216-822-11	s	RES, METAL, CHIP 1.2K 5% 1/16W (1608)
C342	1-162-970-11	s	CERAMIC, CHIP 0.01uF 10% 25V (1608)
C343	1-162-970-11	s	CERAMIC, CHIP 0.01uF 10% 25V (1608)
C344	1-164-156-11	s	CERAMIC, CHIP 0.1uF 25V (1608)
C351	*3 1-216-822-11	s	RES, METAL, CHIP 1.2K 5% 1/16W (1608)
C352	1-162-970-11	s	CERAMIC, CHIP 0.01uF 10% 25V (1608)
C353	1-162-970-11	s	CERAMIC, CHIP 0.01uF 10% 25V (1608)
C354	1-164-156-11	s	CERAMIC, CHIP 0.1uF 25V (1608)
C400	*5 1-162-927-11	s	CERAMIC, CHIP 100pF 5% 50V (1608)
C403-408	1-164-156-11	s	CERAMIC, CHIP 0.1uF 25V (1608)
C409	1-162-970-11	s	CERAMIC, CHIP 0.01uF 10% 25V (1608)
C410	*3 1-164-315-11	s	CERAMIC, CHIP 470pF 5% 50V (1608)
C411	1-164-315-11	s	CERAMIC, CHIP 470pF 5% 50V (1608)
C412	1-164-315-11	s	CERAMIC, CHIP 470pF 5% 50V (1608)
C413	1-164-156-11	s	CERAMIC, CHIP 0.1uF 25V (1608)
C414	1-162-970-11	s	CERAMIC, CHIP 0.01uF 10% 25V (1608)
C415-418	1-164-156-11	s	CERAMIC, CHIP 0.1uF 25V (1608)
C420	1-164-156-11	s	CERAMIC, CHIP 0.1uF 25V (1608)
C421	1-164-156-11	s	CERAMIC, CHIP 0.1uF 25V (1608)
C422	1-162-970-11	s	CERAMIC, CHIP 0.01uF 10% 25V (1608)
C423	1-162-970-11	s	CERAMIC, CHIP 0.01uF 10% 25V (1608)
C424-427	1-164-156-11	s	CERAMIC, CHIP 0.1uF 25V (1608)
C428	*5 1-135-210-11	s	TANTALUM, CHIP 4.7uF 20% 10V
	*3 1-164-156-11	s	CERAMIC, CHIP 0.1uF 25V (1608)
C428A(*3)	1-131-351-00	s	TANTALUM 4.7uF 10% 35V
C429	1-164-217-11	s	CERAMIC, CHIP 150pF 5% 50V (1608)
C430	1-164-217-11	s	CERAMIC, CHIP 150pF 5% 50V (1608)
C431	*5 1-135-210-11	s	TANTALUM, CHIP 4.7uF 20% 10V
	*3 1-164-156-11	s	CERAMIC, CHIP 0.1uF 25V (1608)
C431A(*3)	1-131-351-00	s	TANTALUM 4.7uF 10% 35V
C432	1-164-217-11	s	CERAMIC, CHIP 150pF 5% 50V (1608)
C433-435	1-164-156-11	s	CERAMIC, CHIP 0.1uF 25V (1608)
C436	1-162-970-11	s	CERAMIC, CHIP 0.01uF 10% 25V (1608)
C437	1-164-156-11	s	CERAMIC, CHIP 0.1uF 25V (1608)
C438	1-164-156-11	s	CERAMIC, CHIP 0.1uF 25V (1608)
C439	1-162-909-11	s	CERAMIC, CHIP 4pF 50V (1608)
C440	1-162-924-11	s	CERAMIC, CHIP 56pF 5% 50V (1608)
C441-443	1-164-156-11	s	CERAMIC, CHIP 0.1uF 25V (1608)
C444	1-162-970-11	s	CERAMIC, CHIP 0.01uF 10% 25V (1608)
C445-452	1-164-156-11	s	CERAMIC, CHIP 0.1uF 25V (1608)
C454-456	1-164-156-11	s	CERAMIC, CHIP 0.1uF 25V (1608)
C457	*5 1-164-156-11	s	CERAMIC, CHIP 0.1uF 25V (1608)
C458	*4 1-162-915-11	s	CERAMIC, CHIP 10pF 50V (1608)
C459	*3 1-164-156-11	s	CERAMIC, CHIP 0.1uF 25V (1608)
C460	1-126-404-11	s	ELECT, CHIP 4.7uF 20% 50V
C461	1-162-963-11	s	CERAMIC, CHIP 680pF 10% 50V (1608)
C462	1-162-967-11	s	CERAMIC, CHIP 3300pF 10% 50V (1608)
C463	*4 1-164-156-11	s	CERAMIC, CHIP 0.1uF 25V (1608)
C464	*4 1-164-156-11	s	CERAMIC, CHIP 0.1uF 25V (1608)

-----  
 \*4: Board No. suffix 12 or higher  
 \*5: Board No. suffix 13 or higher  
 (\*?): Some mounted circuit boards within specified "\*?"

(EQ-45A BOARD for DVW-A500P, LOT No. 302 through 001)

(EQ-45A BOARD for DVW-A500P, LOT No. 302 through 001)

Ref. No. or Q'ty	Part No.	SP	Description
C482	1-164-156-11	s	CERAMIC, CHIP 0.1uF 25V (1608)
C483	1-164-156-11	s	CERAMIC, CHIP 0.1uF 25V (1608)
C500	*5 1-162-927-11	s	CERAMIC, CHIP 100pF 5% 50V (1608)
C503-505	1-164-156-11	s	CERAMIC, CHIP 0.1uF 25V (1608)
C507	1-164-156-11	s	CERAMIC, CHIP 0.1uF 25V (1608)
C508	1-164-156-11	s	CERAMIC, CHIP 0.1uF 25V (1608)
C509	1-162-970-11	s	CERAMIC, CHIP 0.01uF 10% 25V (1608)
C510	*3 1-164-315-11	s	CERAMIC, CHIP 470pF 5% 50V (1608)
C511	1-164-315-11	s	CERAMIC, CHIP 470pF 5% 50V (1608)
C512	1-164-315-11	s	CERAMIC, CHIP 470pF 5% 50V (1608)
C515-518	1-164-156-11	s	CERAMIC, CHIP 0.1uF 25V (1608)
C520	1-164-156-11	s	CERAMIC, CHIP 0.1uF 25V (1608)
C521	1-164-156-11	s	CERAMIC, CHIP 0.1uF 25V (1608)
C522	1-162-970-11	s	CERAMIC, CHIP 0.01uF 10% 25V (1608)
C523	1-162-970-11	s	CERAMIC, CHIP 0.01uF 10% 25V (1608)
C524-527	1-164-156-11	s	CERAMIC, CHIP 0.1uF 25V (1608)
C528	*5 1-135-210-11	s	TANTALUM, CHIP 4.7uF 20% 10V
	*3 1-164-156-11	s	CERAMIC, CHIP 0.1uF 25V (1608)
C528A(*3)	1-131-351-00	s	TANTALUM 4.7uF 10% 35V
C529	1-164-217-11	s	CERAMIC, CHIP 150pF 5% 50V (1608)
C530	1-164-217-11	s	CERAMIC, CHIP 150pF 5% 50V (1608)
C531	*5 1-135-210-11	s	TANTALUM, CHIP 4.7uF 20% 10V
	*3 1-164-156-11	s	CERAMIC, CHIP 0.1uF 25V (1608)
C531A(*3)	1-131-351-00	s	TANTALUM 4.7uF 10% 35V
C532	1-164-217-11	s	CERAMIC, CHIP 150pF 5% 50V (1608)
C533-535	1-164-156-11	s	CERAMIC, CHIP 0.1uF 25V (1608)
C536	1-162-970-11	s	CERAMIC, CHIP 0.01uF 10% 25V (1608)
C537	1-164-156-11	s	CERAMIC, CHIP 0.1uF 25V (1608)
C538	1-164-156-11	s	CERAMIC, CHIP 0.1uF 25V (1608)
C539	1-162-909-11	s	CERAMIC, CHIP 4pF 50V (1608)
C540	1-162-924-11	s	CERAMIC, CHIP 56pF 5% 50V (1608)
C541-543	1-164-156-11	s	CERAMIC, CHIP 0.1uF 25V (1608)
C544	1-162-970-11	s	CERAMIC, CHIP 0.01uF 10% 25V (1608)
C545-552	1-164-156-11	s	CERAMIC, CHIP 0.1uF 25V (1608)
C554-556	1-164-156-11	s	CERAMIC, CHIP 0.1uF 25V (1608)
C557	*4 1-164-156-11	s	CERAMIC, CHIP 0.1uF 25V (1608)
C558	*4 1-162-915-11	s	CERAMIC, CHIP 10pF 50V (1608)
C559	*3 1-164-156-11	s	CERAMIC, CHIP 0.1uF 25V (1608)
C560	1-126-404-11	s	ELECT, CHIP 4.7uF 20% 50V
C561	1-162-963-11	s	CERAMIC, CHIP 680pF 10% 50V (1608)
C562	1-162-967-11	s	CERAMIC, CHIP 3300pF 10% 50V (1608)
C563	*4 1-164-156-11	s	CERAMIC, CHIP 0.1uF 25V (1608)
C564	*4 1-164-156-11	s	CERAMIC, CHIP 0.1uF 25V (1608)
C600	*5 1-162-927-11	s	CERAMIC, CHIP 100pF 5% 50V (1608)
C603-605	1-164-156-11	s	CERAMIC, CHIP 0.1uF 25V (1608)
C607	1-164-156-11	s	CERAMIC, CHIP 0.1uF 25V (1608)
C608	1-164-156-11	s	CERAMIC, CHIP 0.1uF 25V (1608)
C609	1-162-970-11	s	CERAMIC, CHIP 0.01uF 10% 25V (1608)
C610	*3 1-164-315-11	s	CERAMIC, CHIP 470pF 5% 50V (1608)
C611	1-164-315-11	s	CERAMIC, CHIP 470pF 5% 50V (1608)
C612	1-164-315-11	s	CERAMIC, CHIP 470pF 5% 50V (1608)
C613	1-164-156-11	s	CERAMIC, CHIP 0.1uF 25V (1608)
C614	1-162-970-11	s	CERAMIC, CHIP 0.01uF 10% 25V (1608)
C615-618	1-164-156-11	s	CERAMIC, CHIP 0.1uF 25V (1608)
C620	1-164-156-11	s	CERAMIC, CHIP 0.1uF 25V (1608)
C621	1-164-156-11	s	CERAMIC, CHIP 0.1uF 25V (1608)

Ref. No. or Q'ty	Part No.	SP	Description
C622	1-162-970-11	s	CERAMIC, CHIP 0.01uF 10% 25V (1608)
C623	1-162-970-11	s	CERAMIC, CHIP 0.01uF 10% 25V (1608)
C624	1-164-156-11	s	CERAMIC, CHIP 0.1uF 25V (1608)
C626	1-164-156-11	s	CERAMIC, CHIP 0.1uF 25V (1608)
C627	1-164-156-11	s	CERAMIC, CHIP 0.1uF 25V (1608)
C628	*5 1-135-210-11	s	TANTALUM, CHIP 4.7uF 20% 10V
	*3 1-164-156-11	s	CERAMIC, CHIP 0.1uF 25V (1608)
C628A(*3)	1-131-351-00	s	TANTALUM 4.7uF 10% 35V
C629	1-164-217-11	s	CERAMIC, CHIP 150pF 5% 50V (1608)
C630	1-164-217-11	s	CERAMIC, CHIP 150pF 5% 50V (1608)
C631	*5 1-135-210-11	s	TANTALUM, CHIP 4.7uF 20% 10V
	*3 1-164-156-11	s	CERAMIC, CHIP 0.1uF 25V (1608)
C631A(*3)	1-131-351-00	s	TANTALUM 4.7uF 10% 35V
C632	1-164-217-11	s	CERAMIC, CHIP 150pF 5% 50V (1608)
C633-635	1-164-156-11	s	CERAMIC, CHIP 0.1uF 25V (1608)
C636	1-162-970-11	s	CERAMIC, CHIP 0.01uF 10% 25V (1608)
C637	1-164-156-11	s	CERAMIC, CHIP 0.1uF 25V (1608)
C638	1-164-156-11	s	CERAMIC, CHIP 0.1uF 25V (1608)
C639	1-162-909-11	s	CERAMIC, CHIP 4pF 50V (1608)
C640	1-162-924-11	s	CERAMIC, CHIP 56pF 5% 50V (1608)
C641-643	1-164-156-11	s	CERAMIC, CHIP 0.1uF 25V (1608)
C644	1-162-970-11	s	CERAMIC, CHIP 0.01uF 10% 25V (1608)
C645-652	1-164-156-11	s	CERAMIC, CHIP 0.1uF 25V (1608)
C654-656	1-164-156-11	s	CERAMIC, CHIP 0.1uF 25V (1608)
C657	*4 1-164-156-11	s	CERAMIC, CHIP 0.1uF 25V (1608)
C658	*4 1-162-915-11	s	CERAMIC, CHIP 10pF 50V (1608)
C660	1-126-404-11	s	ELECT, CHIP 4.7uF 20% 50V
C661	1-162-963-11	s	CERAMIC, CHIP 680pF 10% 50V (1608)
C662	1-162-967-11	s	CERAMIC, CHIP 3300pF 10% 50V (1608)
C663	*4 1-164-156-11	s	CERAMIC, CHIP 0.1uF 25V (1608)
C664	*4 1-164-156-11	s	CERAMIC, CHIP 0.1uF 25V (1608)
C682	1-164-156-11	s	CERAMIC, CHIP 0.1uF 25V (1608)
C683	1-164-156-11	s	CERAMIC, CHIP 0.1uF 25V (1608)
C700	*5 1-162-927-11	s	CERAMIC, CHIP 100pF 5% 50V (1608)
C703-705	1-164-156-11	s	CERAMIC, CHIP 0.1uF 25V (1608)
C707	1-164-156-11	s	CERAMIC, CHIP 0.1uF 25V (1608)
C708	1-164-156-11	s	CERAMIC, CHIP 0.1uF 25V (1608)
C709	1-162-970-11	s	CERAMIC, CHIP 0.01uF 10% 25V (1608)
C710	*3 1-164-315-11	s	CERAMIC, CHIP 470pF 5% 50V (1608)
C711	1-164-315-11	s	CERAMIC, CHIP 470pF 5% 50V (1608)
C712	1-164-315-11	s	CERAMIC, CHIP 470pF 5% 50V (1608)
C715-718	1-164-156-11	s	CERAMIC, CHIP 0.1uF 25V (1608)
C720	1-164-156-11	s	CERAMIC, CHIP 0.1uF 25V (1608)
C721	1-164-156-11	s	CERAMIC, CHIP 0.1uF 25V (1608)
C722	1-162-970-11	s	CERAMIC, CHIP 0.01uF 10% 25V (1608)
C723	1-162-970-11	s	CERAMIC, CHIP 0.01uF 10% 25V (1608)
C724	1-164-156-11	s	CERAMIC, CHIP 0.1uF 25V (1608)
C726	1-164-156-11	s	CERAMIC, CHIP 0.1uF 25V (1608)
C727	1-164-156-11	s	CERAMIC, CHIP 0.1uF 25V (1608)
C728	*5 1-135-210-11	s	TANTALUM, CHIP 4.7uF 20% 10V
	*3 1-164-156-11	s	CERAMIC, CHIP 0.1uF 25V (1608)
C728A(*3)	1-131-351-00	s	TANTALUM 4.7uF 10% 35V
C729	1-164-217-11	s	CERAMIC, CHIP 150pF 5% 50V (1608)
C730	1-164-217-11	s	CERAMIC, CHIP 150pF 5% 50V (1608)
C731	*5 1-135-210-11	s	TANTALUM, CHIP 4.7uF 20% 10V
	*3 1-164-156-11	s	CERAMIC, CHIP 0.1uF 25V (1608)

-----  
 \*3: Board No. suffix 11 or 12  
 \*4: Board No. suffix 12 or higher

-----  
 \*5: Board No. suffix 13 or higher  
 (\*?): Some mounted circuit boards within specified "\*?"

(EQ-45A BOARD for DVW-A500P, LOT No. 302 through 001)

(EQ-45A BOARD for DVW-A500P, LOT No. 302 through 001)

Ref. No. or Q'ty	Part No.	SP	Description
C731A(*3)	1-131-351-00	s	TANTALUM 4.7uF 10% 35V
C732	1-164-217-11	s	CERAMIC, CHIP 150pF 5% 50V (1608)
C733-735	1-164-156-11	s	CERAMIC, CHIP 0.1uF 25V (1608)
C736	1-162-970-11	s	CERAMIC, CHIP 0.01uF 10% 25V (1608)
C737	1-164-156-11	s	CERAMIC, CHIP 0.1uF 25V (1608)
C738	1-164-156-11	s	CERAMIC, CHIP 0.1uF 25V (1608)
C739	1-162-909-11	s	CERAMIC, CHIP 4pF 50V (1608)
C740	1-162-924-11	s	CERAMIC, CHIP 56pF 5% 50V (1608)
C741-743	1-164-156-11	s	CERAMIC, CHIP 0.1uF 25V (1608)
C744	1-162-970-11	s	CERAMIC, CHIP 0.01uF 10% 25V (1608)
C745-752	1-164-156-11	s	CERAMIC, CHIP 0.1uF 25V (1608)
C754-756	1-164-156-11	s	CERAMIC, CHIP 0.1uF 25V (1608)
C757	*4 1-164-156-11	s	CERAMIC, CHIP 0.1uF 25V (1608)
C758	*4 1-162-915-11	s	CERAMIC, CHIP 10pF 50V (1608)
C760	1-126-404-11	s	ELECT, CHIP 4.7uF 20% 50V
C761	1-162-963-11	s	CERAMIC, CHIP 680pF 10% 50V (1608)
C762	1-162-967-11	s	CERAMIC, CHIP 3300pF 10% 50V (1608)
C763	*4 1-164-156-11	s	CERAMIC, CHIP 0.1uF 25V (1608)
C764	*4 1-164-156-11	s	CERAMIC, CHIP 0.1uF 25V (1608)
C800	*5 1-162-927-11	s	CERAMIC, CHIP 100pF 5% 50V (1608)
C801	1-162-970-11	s	CERAMIC, CHIP 0.01uF 10% 25V (1608)
C802-804	1-164-156-11	s	CERAMIC, CHIP 0.1uF 25V (1608)
C805	*4 1-135-145-11	s	TANTALUM, CHIP 0.47uF 10% 35V
C806	1-126-392-11	s	ELECT, CHIP 100uF 20% 6.3V
C807	1-126-392-11	s	ELECT, CHIP 100uF 20% 6.3V
C808	1-162-970-11	s	CERAMIC, CHIP 0.01uF 10% 25V (1608)
C809	1-164-156-11	s	CERAMIC, CHIP 0.1uF 25V (1608)
C810	1-162-970-11	s	CERAMIC, CHIP 0.01uF 10% 25V (1608)
C811	1-162-970-11	s	CERAMIC, CHIP 0.01uF 10% 25V (1608)
C812	1-164-315-11	s	CERAMIC, CHIP 470pF 5% 50V (1608)
C813	*5 1-162-919-11	s	CERAMIC, CHIP 22pF 5% 50V (1608)
	*2 1-162-915-11	s	CERAMIC, CHIP 10pF 50V (1608)
C813A	*2 1-107-204-00	s	MICA 12pF 5% 500V
	*1 1-107-597-11	s	CERAMIC 22pF 5% 500V
C814	1-162-970-11	s	CERAMIC, CHIP 0.01uF 10% 25V (1608)
C815	1-162-923-11	s	CERAMIC, CHIP 47pF 5% 50V (1608)
C816	1-164-156-11	s	CERAMIC, CHIP 0.1uF 25V (1608)
C817	1-164-156-11	s	CERAMIC, CHIP 0.1uF 25V (1608)
C818	*5 1-162-919-11	s	CERAMIC, CHIP 22pF 5% 50V (1608)
	*2 1-162-915-11	s	CERAMIC, CHIP 10pF 50V (1608)
C818A	*2 1-107-204-00	s	MICA 12pF 5% 500V
	*1 1-107-597-11	s	CERAMIC 22pF 5% 500V
C819	*5 1-162-927-11	s	CERAMIC, CHIP 100pF 5% 50V (1608)
C820	1-162-970-11	s	CERAMIC, CHIP 0.01uF 10% 25V (1608)
C821-823	1-126-392-11	s	ELECT, CHIP 100uF 20% 6.3V
C824	1-162-927-11	s	CERAMIC, CHIP 100pF 5% 50V (1608)
C825	1-162-927-11	s	CERAMIC, CHIP 100pF 5% 50V (1608)
C826	1-162-970-11	s	CERAMIC, CHIP 0.01uF 10% 25V (1608)
C827	1-162-927-11	s	CERAMIC, CHIP 100pF 5% 50V (1608)
C829	1-162-970-11	s	CERAMIC, CHIP 0.01uF 10% 25V (1608)
C830	1-162-927-11	s	CERAMIC, CHIP 100pF 5% 50V (1608)
C831	1-162-927-11	s	CERAMIC, CHIP 100pF 5% 50V (1608)
C832	1-162-970-11	s	CERAMIC, CHIP 0.01uF 10% 25V (1608)
C833	1-162-970-11	s	CERAMIC, CHIP 0.01uF 10% 25V (1608)
C834-836	1-164-156-11	s	CERAMIC, CHIP 0.1uF 25V (1608)

-----  
 \*1: Board No. suffix 11 only  
 \*2: Board No. suffix 12 only  
 \*3: Board No. suffix 11 or 12

Ref. No. or Q'ty	Part No.	SP	Description
C837	*4 1-135-145-11	s	TANTALUM, CHIP 0.47uF 10% 35V
C838	1-126-392-11	s	ELECT, CHIP 100uF 20% 6.3V
C839	1-126-392-11	s	ELECT, CHIP 100uF 20% 6.3V
C840	1-162-970-11	s	CERAMIC, CHIP 0.01uF 10% 25V (1608)
C841	1-164-156-11	s	CERAMIC, CHIP 0.1uF 25V (1608)
C842	1-162-970-11	s	CERAMIC, CHIP 0.01uF 10% 25V (1608)
C843	1-162-970-11	s	CERAMIC, CHIP 0.01uF 10% 25V (1608)
C844	1-164-315-11	s	CERAMIC, CHIP 470pF 5% 50V (1608)
C848	1-164-156-11	s	CERAMIC, CHIP 0.1uF 25V (1608)
C849	1-164-156-11	s	CERAMIC, CHIP 0.1uF 25V (1608)
C852	1-162-970-11	s	CERAMIC, CHIP 0.01uF 10% 25V (1608)
C853-855	1-126-392-11	s	ELECT, CHIP 100uF 20% 6.3V
C856	1-162-927-11	s	CERAMIC, CHIP 100pF 5% 50V (1608)
C857	1-162-927-11	s	CERAMIC, CHIP 100pF 5% 50V (1608)
C858	1-162-970-11	s	CERAMIC, CHIP 0.01uF 10% 25V (1608)
C859	1-162-927-11	s	CERAMIC, CHIP 100pF 5% 50V (1608)
C861	1-162-970-11	s	CERAMIC, CHIP 0.01uF 10% 25V (1608)
C862	1-162-927-11	s	CERAMIC, CHIP 100pF 5% 50V (1608)
C863	1-162-927-11	s	CERAMIC, CHIP 100pF 5% 50V (1608)
C864	1-162-970-11	s	CERAMIC, CHIP 0.01uF 10% 25V (1608)
C865	1-162-970-11	s	CERAMIC, CHIP 0.01uF 10% 25V (1608)
C872	1-164-156-11	s	CERAMIC, CHIP 0.1uF 25V (1608)
C873	1-126-392-11	s	ELECT, CHIP 100uF 20% 6.3V
C874	1-162-970-11	s	CERAMIC, CHIP 0.01uF 10% 25V (1608)
C875	1-164-156-11	s	CERAMIC, CHIP 0.1uF 25V (1608)
C876	1-162-970-11	s	CERAMIC, CHIP 0.01uF 10% 25V (1608)
C877	1-162-970-11	s	CERAMIC, CHIP 0.01uF 10% 25V (1608)
C878	1-162-923-11	s	CERAMIC, CHIP 47pF 5% 50V (1608)
C880-887	1-164-156-11	s	CERAMIC, CHIP 0.1uF 25V (1608)
C900	*5 1-162-927-11	s	CERAMIC, CHIP 100pF 5% 50V (1608)
C901	1-162-970-11	s	CERAMIC, CHIP 0.01uF 10% 25V (1608)
C902-904	1-164-156-11	s	CERAMIC, CHIP 0.1uF 25V (1608)
C905	*4 1-135-145-11	s	TANTALUM, CHIP 0.47uF 10% 35V
C906	1-126-392-11	s	ELECT, CHIP 100uF 20% 6.3V
C907	1-126-392-11	s	ELECT, CHIP 100uF 20% 6.3V
C908	1-162-970-11	s	CERAMIC, CHIP 0.01uF 10% 25V (1608)
C909	1-164-156-11	s	CERAMIC, CHIP 0.1uF 25V (1608)
C910	1-162-970-11	s	CERAMIC, CHIP 0.01uF 10% 25V (1608)
C911	1-162-970-11	s	CERAMIC, CHIP 0.01uF 10% 25V (1608)
C912	1-164-315-11	s	CERAMIC, CHIP 470pF 5% 50V (1608)
C913	*5 1-162-919-11	s	CERAMIC, CHIP 22pF 5% 50V (1608)
	*2 1-162-915-11	s	CERAMIC, CHIP 10pF 50V (1608)
C913A	*2 1-107-204-00	s	MICA 12pF 5% 500V
	*1 1-107-597-11	s	CERAMIC 22pF 5% 500V
C914	1-162-970-11	s	CERAMIC, CHIP 0.01uF 10% 25V (1608)
C915	1-162-923-11	s	CERAMIC, CHIP 47pF 5% 50V (1608)
C916	1-164-156-11	s	CERAMIC, CHIP 0.1uF 25V (1608)
C917	1-164-156-11	s	CERAMIC, CHIP 0.1uF 25V (1608)
C918	*5 1-162-919-11	s	CERAMIC, CHIP 22pF 5% 50V (1608)
	*2 1-162-915-11	s	CERAMIC, CHIP 10pF 50V (1608)
C918A	*2 1-107-204-00	s	MICA 12pF 5% 500V
	*1 1-107-597-11	s	CERAMIC 22pF 5% 500V
C919	*5 1-162-927-11	s	CERAMIC, CHIP 100pF 5% 50V (1608)
C920	1-162-970-11	s	CERAMIC, CHIP 0.01uF 10% 25V (1608)
C921-923	1-126-392-11	s	ELECT, CHIP 100uF 20% 6.3V

-----  
 \*4: Board No. suffix 12 or higher  
 \*5: Board No. suffix 13 or higher  
 (\*?): Some mounted circuit boards within specified "\*?"

(EQ-45A BOARD for DVW-A500P, LOT No. 302 through 001)

(EQ-45A BOARD for DVW-A500P, LOT No. 302 through 001)

Ref. No. or Q'ty	Part No.	SP Description
C924	1-162-927-11	s CERAMIC, CHIP 100pF 5% 50V (1608)
C925	1-162-927-11	s CERAMIC, CHIP 100pF 5% 50V (1608)
C926	1-162-970-11	s CERAMIC, CHIP 0.01uF 10% 25V (1608)
C927	1-162-927-11	s CERAMIC, CHIP 100pF 5% 50V (1608)
C929	1-162-970-11	s CERAMIC, CHIP 0.01uF 10% 25V (1608)
C930	1-162-927-11	s CERAMIC, CHIP 100pF 5% 50V (1608)
C931	1-162-927-11	s CERAMIC, CHIP 100pF 5% 50V (1608)
C932	1-162-970-11	s CERAMIC, CHIP 0.01uF 10% 25V (1608)
C933	1-162-970-11	s CERAMIC, CHIP 0.01uF 10% 25V (1608)
C934-936	1-164-156-11	s CERAMIC, CHIP 0.1uF 25V (1608)
C937 *4	1-135-145-11	s TANTALUM, CHIP 0.47uF 10% 35V
C938	1-126-392-11	s ELECT, CHIP 100uF 20% 6.3V
C939	1-126-392-11	s ELECT, CHIP 100uF 20% 6.3V
C940	1-162-970-11	s CERAMIC, CHIP 0.01uF 10% 25V (1608)
C941	1-164-156-11	s CERAMIC, CHIP 0.1uF 25V (1608)
C942	1-162-970-11	s CERAMIC, CHIP 0.01uF 10% 25V (1608)
C943	1-162-970-11	s CERAMIC, CHIP 0.01uF 10% 25V (1608)
C944	1-164-315-11	s CERAMIC, CHIP 470pF 5% 50V (1608)
C948	1-164-156-11	s CERAMIC, CHIP 0.1uF 25V (1608)
C949	1-164-156-11	s CERAMIC, CHIP 0.1uF 25V (1608)
C952	1-162-970-11	s CERAMIC, CHIP 0.01uF 10% 25V (1608)
C953-955	1-126-392-11	s ELECT, CHIP 100uF 20% 6.3V
C956	1-162-927-11	s CERAMIC, CHIP 100pF 5% 50V (1608)
C957	1-162-927-11	s CERAMIC, CHIP 100pF 5% 50V (1608)
C958	1-162-970-11	s CERAMIC, CHIP 0.01uF 10% 25V (1608)
C959	1-162-927-11	s CERAMIC, CHIP 100pF 5% 50V (1608)
C961	1-162-970-11	s CERAMIC, CHIP 0.01uF 10% 25V (1608)
C962	1-162-927-11	s CERAMIC, CHIP 100pF 5% 50V (1608)
C963	1-162-927-11	s CERAMIC, CHIP 100pF 5% 50V (1608)
C964	1-162-970-11	s CERAMIC, CHIP 0.01uF 10% 25V (1608)
C965	1-162-970-11	s CERAMIC, CHIP 0.01uF 10% 25V (1608)
C972	1-162-970-11	s CERAMIC, CHIP 0.01uF 10% 25V (1608)
C973	1-126-392-11	s ELECT, CHIP 100uF 20% 6.3V
C977	1-162-970-11	s CERAMIC, CHIP 0.01uF 10% 25V (1608)
C978	1-162-923-11	s CERAMIC, CHIP 47pF 5% 50V (1608)
C980-987	1-164-156-11	s CERAMIC, CHIP 0.1uF 25V (1608)
CN106	1-750-795-21	s CONNECTOR, PHEC 120P, MALE
CN601	1-506-471-11	o CONNECTOR, 6P, MALE
CN602	1-506-469-11	s CONNECTOR, 4P, MALE
CN603	1-506-469-11	s CONNECTOR, 4P, MALE
CN606	1-506-468-11	o CONNECTOR, 3P, MALE
CN607	1-506-468-11	o CONNECTOR, 3P, MALE
CN608	1-506-468-11	o CONNECTOR, 3P, MALE
CN609	1-506-468-11	o CONNECTOR, 3P, MALE
CP101	1-760-005-11	s OSCILLATOR, CRYSTAL 65.0287 MHZ
D401	8-719-941-23	s DIODE DA204U
D501	8-719-941-23	s DIODE DA204U
D601	8-719-941-23	s DIODE DA204U
D701	8-719-941-23	s DIODE DA204U
DL420	1-415-799-11	s DELAY LINE
DL520	1-415-799-11	s DELAY LINE
DL620	1-415-799-11	s DELAY LINE
DL720	1-415-799-11	s DELAY LINE
FL101-126	1-239-719-31	s FILTER, NOISE, CHIP

Ref. No. or Q'ty	Part No.	SP Description
FL401	1-239-718-21	s FILTER, LOW PASS
FL501	1-239-718-21	s FILTER, LOW PASS
FL601	1-239-718-21	s FILTER, LOW PASS
FL701	1-239-718-21	s FILTER, LOW PASS
IC101	8-759-548-77	s IC SN74LV245ANSR
IC102	8-759-548-77	s IC SN74LV245ANSR
IC103	8-759-172-71	s IC CXD8816R
IC104	8-759-548-77	s IC SN74LV245ANSR
IC105	8-759-548-77	s IC SN74LV245ANSR
IC106	8-759-548-77	s IC SN74LV245ANSR
IC107	8-759-548-77	s IC SN74LV245ANSR
IC108	8-759-081-44	s IC TC74VHC04F
IC109 *4	8-759-673-36	s IC MM74HC00SJX
IC201	8-759-925-85	s IC SN74HC32ANS
IC202	8-759-673-45	s IC MM74HC08SJX
IC203	8-759-673-45	s IC MM74HC08SJX
IC204	8-752-066-48	s IC CXA1809Q
IC205	8-759-635-27	s IC M62352GP
IC250	8-759-234-08	s IC TA78L05F
IC252	8-759-446-74	s IC TA79L05F
IC301	8-759-446-74	s IC TA79L05F
IC302	8-759-234-08	s IC TA78L05F
IC341	8-759-112-53	s IC UPCL1663G
IC351	8-759-112-53	s IC UPCL1663G
IC400	8-759-234-94	s IC TA8504F
IC401	8-752-084-12	s IC CXA1808Q
IC402	8-759-635-27	s IC M62352GP
IC403	8-759-300-71	s IC HD14053BFP
IC404	8-759-234-08	s IC TA78L05F
IC405	8-759-446-74	s IC TA79L05F
IC406	8-759-446-74	s IC TA79L05F
IC407	8-759-908-17	s IC TL082CPS
IC408	8-759-141-60	s IC UPAL01G
IC409	8-759-446-74	s IC TA79L05F
IC500	8-759-234-94	s IC TA8504F
IC501	8-752-084-12	s IC CXA1808Q
IC503	8-759-300-71	s IC HD14053BFP
IC504	8-759-234-08	s IC TA78L05F
IC505	8-759-446-74	s IC TA79L05F
IC507	8-759-908-17	s IC TL082CPS
IC508	8-759-141-60	s IC UPAL01G
IC509	8-759-446-74	s IC TA79L05F
IC600	8-759-234-94	s IC TA8504F
IC601	8-752-084-12	s IC CXA1808Q
IC602	8-759-635-27	s IC M62352GP
IC603	8-759-300-71	s IC HD14053BFP
IC604	8-759-234-08	s IC TA78L05F
IC605	8-759-446-74	s IC TA79L05F
IC606	8-759-446-74	s IC TA79L05F
IC607	8-759-908-17	s IC TL082CPS
IC608	8-759-141-60	s IC UPAL01G
IC609	8-759-446-74	s IC TA79L05F
IC700	8-759-234-94	s IC TA8504F
IC701	8-752-084-12	s IC CXA1808Q
IC703	8-759-300-71	s IC HD14053BFP
IC704	8-759-234-08	s IC TA78L05F

\*4: Board No. suffix 12 or higher

(EQ-45A BOARD for DVW-A500P, LOT No. 302 through 001)

(EQ-45A BOARD for DVW-A500P, LOT No. 302 through 001)

Ref. No. or Q'ty	Part No.	SP	Description
IC705	8-759-446-74	s	IC TA79L05F
IC707	8-759-908-17	s	IC TL082CPS
IC708	8-759-141-60	s	IC UPA101G
IC709	8-759-446-74	s	IC TA79L05F
IC801	8-752-066-44	s	IC CXA1805Q
IC802	8-752-066-45	s	IC CXA1806Q
IC803	8-752-066-44	s	IC CXA1805Q
IC804	8-752-066-45	s	IC CXA1806Q
IC805	8-759-173-13	s	IC CXD8815Q
IC806	8-759-635-27	s	IC M62352GP
IC807	8-759-970-59	s	IC TLC272CPS
IC808	*5 8-759-908-92	s	IC TL084CNS
	*3 8-759-908-17	s	IC TL082CPS
IC809	8-759-970-59	s	IC TLC272CPS
IC810	*5 8-759-908-92	s	IC TL084CNS
	*3 8-759-908-17	s	IC TL082CPS
IC880	8-759-234-08	s	IC TA78L05F
IC881	8-759-446-74	s	IC TA79L05F
IC882	8-759-446-74	s	IC TA79L05F
IC883	8-759-446-74	s	IC TA79L05F
IC901	8-752-066-44	s	IC CXA1805Q
IC902	8-752-066-45	s	IC CXA1806Q
IC903	8-752-066-44	s	IC CXA1805Q
IC904	8-752-066-45	s	IC CXA1806Q
IC905	8-759-173-13	s	IC CXD8815Q
IC907	8-759-970-59	s	IC TLC272CPS
IC908	*5 8-759-908-92	s	IC TL084CNS
	*3 8-759-908-17	s	IC TL082CPS
IC909	8-759-970-59	s	IC TLC272CPS
IC910	*5 8-759-908-92	s	IC TL084CNS
	*3 8-759-908-17	s	IC TL082CPS
IC980	8-759-234-08	s	IC TA78L05F
IC981	8-759-446-74	s	IC TA79L05F
IC982	8-759-446-74	s	IC TA79L05F
IC983	8-759-446-74	s	IC TA79L05F
L101-103	1-410-803-31	s	INDUCTOR, CHIP 0.047uH
L104	1-410-377-31	s	INDUCTOR, CHIP 4.7uH
L202	1-410-377-31	s	INDUCTOR, CHIP 4.7uH
L203	1-410-377-31	s	INDUCTOR, CHIP 4.7uH
L204	1-410-369-11	s	INDUCTOR, CHIP 1.0uH
L423	1-412-190-11	s	INDUCTOR, CHIP 33uH
L424	1-412-190-11	s	INDUCTOR, CHIP 33uH
L425	1-412-206-11	s	INDUCTOR, CHIP 1.0mH
L523	1-412-190-11	s	INDUCTOR, CHIP 33uH
L524	1-412-190-11	s	INDUCTOR, CHIP 33uH
L525	1-412-206-11	s	INDUCTOR, CHIP 1.0mH
L623	1-412-190-11	s	INDUCTOR, CHIP 33uH
L624	1-412-190-11	s	INDUCTOR, CHIP 33uH
L625	1-412-206-11	s	INDUCTOR, CHIP 1.0mH
L723	1-412-190-11	s	INDUCTOR, CHIP 33uH
L724	1-412-190-11	s	INDUCTOR, CHIP 33uH
L725	1-412-206-11	s	INDUCTOR, CHIP 1.0mH
L801-811	1-410-377-31	s	INDUCTOR, CHIP 4.7uH
L901-911	1-410-377-31	s	INDUCTOR, CHIP 4.7uH

-----  
 \*3: Board No. suffix 11 or 12  
 \*4: Board No. suffix 12 or higher

Ref. No. or Q'ty	Part No.	SP	Description
PS1	Δ 1-533-348-11	s	LINK, IC, CHIP 4A (For Europa model)
	Δ 1-533-272-11	s	FUSE, CHIP 4A 125V (For USA and Canada models)
Q101	8-729-143-14	s	TRANSISTOR 2SC4176-B35
Q102	8-729-143-14	s	TRANSISTOR 2SC4176-B35
Q103	8-729-905-12	s	TRANSISTOR DTA144EU
Q104	8-729-905-12	s	TRANSISTOR DTA144EU
Q200	8-729-143-14	s	TRANSISTOR 2SC4176-B35
Q201	*3 8-729-143-14	s	TRANSISTOR 2SC4176-B35
Q202	8-729-143-14	s	TRANSISTOR 2SC4176-B35
Q205-207	8-729-143-14	s	TRANSISTOR 2SC4176-B35
Q400	8-729-143-14	s	TRANSISTOR 2SC4176-B35
Q401	8-729-143-14	s	TRANSISTOR 2SC4176-B35
Q402	8-729-924-56	s	TRANSISTOR DTC123JU
Q403	*5 8-729-143-07	s	TRANSISTOR 2SA1610-Y33
	*3 8-729-143-14	s	TRANSISTOR 2SC4176-B35
Q404	*4 8-729-143-14	s	TRANSISTOR 2SC4176-B35
Q405	*4 8-729-143-14	s	TRANSISTOR 2SC4176-B35
Q420	8-729-143-14	s	TRANSISTOR 2SC4176-B35
Q421	8-729-143-14	s	TRANSISTOR 2SC4176-B35
Q424-426	8-729-143-14	s	TRANSISTOR 2SC4176-B35
Q427	*3 8-729-143-14	s	TRANSISTOR 2SC4176-B35
Q500	8-729-143-14	s	TRANSISTOR 2SC4176-B35
Q501	8-729-143-14	s	TRANSISTOR 2SC4176-B35
Q502	8-729-924-56	s	TRANSISTOR DTC123JU
Q503	*5 8-729-143-07	s	TRANSISTOR 2SA1610-Y33
	*3 8-729-143-14	s	TRANSISTOR 2SC4176-B35
Q504	*4 8-729-143-14	s	TRANSISTOR 2SC4176-B35
Q505	*4 8-729-143-14	s	TRANSISTOR 2SC4176-B35
Q520	8-729-143-14	s	TRANSISTOR 2SC4176-B35
Q521	8-729-143-14	s	TRANSISTOR 2SC4176-B35
Q524-526	8-729-143-14	s	TRANSISTOR 2SC4176-B35
Q527	*3 8-729-143-14	s	TRANSISTOR 2SC4176-B35
Q600	8-729-143-14	s	TRANSISTOR 2SC4176-B35
Q601	8-729-143-14	s	TRANSISTOR 2SC4176-B35
Q602	8-729-924-56	s	TRANSISTOR DTC123JU
Q603	*5 8-729-143-07	s	TRANSISTOR 2SA1610-Y33
	*3 8-729-143-14	s	TRANSISTOR 2SC4176-B35
Q604	*4 8-729-143-14	s	TRANSISTOR 2SC4176-B35
Q605	*4 8-729-143-14	s	TRANSISTOR 2SC4176-B35
Q620	8-729-143-14	s	TRANSISTOR 2SC4176-B35
Q624-626	8-729-143-14	s	TRANSISTOR 2SC4176-B35
Q700	8-729-143-14	s	TRANSISTOR 2SC4176-B35
Q701	8-729-143-14	s	TRANSISTOR 2SC4176-B35
Q702	8-729-924-56	s	TRANSISTOR DTC123JU
Q703	*5 8-729-143-07	s	TRANSISTOR 2SA1610-Y33
	*3 8-729-143-14	s	TRANSISTOR 2SC4176-B35
Q704	*4 8-729-143-14	s	TRANSISTOR 2SC4176-B35
Q705	*4 8-729-143-14	s	TRANSISTOR 2SC4176-B35
Q720	8-729-143-14	s	TRANSISTOR 2SC4176-B35
Q724-726	8-729-143-14	s	TRANSISTOR 2SC4176-B35
Q800	8-729-905-18	s	TRANSISTOR DTC144EU
Q801	8-729-143-14	s	TRANSISTOR 2SC4176-B35
Q802	8-729-143-14	s	TRANSISTOR 2SC4176-B35

-----  
 \*5: Board No. suffix 13 or higher

(EQ-45A BOARD for DVW-A500P, LOT No. 302 through 001)

(EQ-45A BOARD for DVW-A500P, LOT No. 302 through 001)

Ref. No. or Q'ty	Part No.	SP Description
Q803	8-729-117-32	s TRANSISTOR 2SC4177-L6
Q804	*4 8-729-209-07	s TRANSISTOR 2SC4213-B
Q805	*4 8-729-209-07	s TRANSISTOR 2SC4213-B
Q806	8-729-117-32	s TRANSISTOR 2SC4177-L6
Q807	*5 8-729-209-07	s TRANSISTOR 2SC4213-B
Q808	*5 8-729-209-07	s TRANSISTOR 2SC4213-B
Q809	8-729-905-18	s TRANSISTOR DTC144EU
Q810	8-729-140-63	s TRANSISTOR 2SA1611-M5M6
Q811	*5 8-729-209-07	s TRANSISTOR 2SC4213-B
Q812	*5 8-729-209-07	s TRANSISTOR 2SC4213-B
Q813	*5 8-729-209-07	s TRANSISTOR 2SC4213-B
Q814	*5 8-729-209-07	s TRANSISTOR 2SC4213-B
Q900	8-729-905-18	s TRANSISTOR DTC144EU
Q901	8-729-143-14	s TRANSISTOR 2SC4176-B35
Q902	8-729-143-14	s TRANSISTOR 2SC4176-B35
Q903	8-729-117-32	s TRANSISTOR 2SC4177-L6
Q904	*4 8-729-209-07	s TRANSISTOR 2SC4213-B
Q905	*4 8-729-209-07	s TRANSISTOR 2SC4213-B
Q906	8-729-117-32	s TRANSISTOR 2SC4177-L6
Q907	*5 8-729-209-07	s TRANSISTOR 2SC4213-B
Q908	*5 8-729-209-07	s TRANSISTOR 2SC4213-B
Q909	8-729-905-18	s TRANSISTOR DTC144EU
Q911	*5 8-729-209-07	s TRANSISTOR 2SC4213-B
Q912	*5 8-729-209-07	s TRANSISTOR 2SC4213-B
Q913	*5 8-729-209-07	s TRANSISTOR 2SC4213-B
Q914	*5 8-729-209-07	s TRANSISTOR 2SC4213-B
R100	1-216-833-11	s METAL, CHIP 10K 5% 1/16W (1608)
R101-109	1-216-813-11	s METAL, CHIP 220 5% 1/16W (1608)
R110-115	1-216-833-11	s METAL, CHIP 10K 5% 1/16W (1608)
R116-118	1-216-805-11	s METAL, CHIP 47 5% 1/16W (1608)
R119	*4 1-216-805-11	s METAL, CHIP 47 5% 1/16W (1608)
R120-125	1-216-821-11	s METAL, CHIP 1.0K 5% 1/16W (1608)
R126	1-216-805-11	s METAL, CHIP 47 5% 1/16W (1608)
R127	1-216-821-11	s METAL, CHIP 1.0K 5% 1/16W (1608)
R128	1-216-805-11	s METAL, CHIP 47 5% 1/16W (1608)
R129	1-216-805-11	s METAL, CHIP 47 5% 1/16W (1608)
R130	*4 1-216-805-11	s METAL, CHIP 47 5% 1/16W (1608)
R131	1-216-833-11	s METAL, CHIP 10K 5% 1/16W (1608)
R132	1-216-805-11	s METAL, CHIP 47 5% 1/16W (1608)
R133	*4 1-216-805-11	s METAL, CHIP 47 5% 1/16W (1608)
R134	*4 1-216-805-11	s METAL, CHIP 47 5% 1/16W (1608)
R135	1-216-805-11	s METAL, CHIP 47 5% 1/16W (1608)
R136	1-216-841-11	s METAL, CHIP 47K 5% 1/16W (1608)
R137-140	1-216-805-11	s METAL, CHIP 47 5% 1/16W (1608)
R141	*7 1-216-823-11	s METAL, CHIP 1.5K 5% 1/16W (1608)
	*6 1-216-820-11	s METAL, CHIP 820 5% 1/16W (1608)
R142	1-216-813-11	s METAL, CHIP 220 5% 1/16W (1608)
R143	*7 1-216-823-11	s METAL, CHIP 1.5K 5% 1/16W (1608)
	*6 1-216-821-11	s METAL, CHIP 1.0K 5% 1/16W (1608)
R144	1-216-813-11	s METAL, CHIP 220 5% 1/16W (1608)
R145	1-216-805-11	s METAL, CHIP 47 5% 1/16W (1608)
R146	1-216-833-11	s METAL, CHIP 10K 5% 1/16W (1608)
R147	1-216-805-11	s METAL, CHIP 47 5% 1/16W (1608)
R148	1-216-828-11	s METAL, CHIP 3.9K 5% 1/16W (1608)
R149	1-216-826-11	s METAL, CHIP 2.7K 5% 1/16W (1608)

Ref. No. or Q'ty	Part No.	SP Description
R150	1-216-830-11	s METAL, CHIP 5.6K 5% 1/16W (1608)
R151	1-216-815-11	s METAL, CHIP 330 5% 1/16W (1608)
R152	1-216-805-11	s METAL, CHIP 47 5% 1/16W (1608)
R153	1-216-828-11	s METAL, CHIP 3.9K 5% 1/16W (1608)
R154	1-216-826-11	s METAL, CHIP 2.7K 5% 1/16W (1608)
R155	1-216-830-11	s METAL, CHIP 5.6K 5% 1/16W (1608)
R156	1-216-815-11	s METAL, CHIP 330 5% 1/16W (1608)
R157	1-216-805-11	s METAL, CHIP 47 5% 1/16W (1608)
R201	1-216-833-11	s METAL, CHIP 10K 5% 1/16W (1608)
R202	1-216-833-11	s METAL, CHIP 10K 5% 1/16W (1608)
R203	1-216-805-11	s METAL, CHIP 47 5% 1/16W (1608)
R204	1-216-805-11	s METAL, CHIP 47 5% 1/16W (1608)
R206	1-216-817-11	s METAL, CHIP 470 5% 1/16W (1608)
R207	1-216-821-11	s METAL, CHIP 1.0K 5% 1/16W (1608)
R208	1-216-805-11	s METAL, CHIP 47 5% 1/16W (1608)
R209	1-216-817-11	s METAL, CHIP 470 5% 1/16W (1608)
R210	1-216-821-11	s METAL, CHIP 1.0K 5% 1/16W (1608)
R211	1-216-805-11	s METAL, CHIP 47 5% 1/16W (1608)
R212	1-216-829-11	s METAL, CHIP 4.7K 5% 1/16W (1608)
R213	1-216-829-11	s METAL, CHIP 4.7K 5% 1/16W (1608)
R216	*5 1-218-670-11	s METAL, CHIP 120 0.5% 1/16W (1608)
	*3 1-216-809-11	s METAL, CHIP 100 5% 1/16W (1608)
R217	*5 1-218-670-11	s METAL, CHIP 120 0.5% 1/16W (1608)
	*3 1-216-809-11	s METAL, CHIP 100 5% 1/16W (1608)
R218	1-216-833-11	s METAL, CHIP 10K 5% 1/16W (1608)
R219	1-216-805-11	s METAL, CHIP 47 5% 1/16W (1608)
R220-223	1-218-661-11	s METAL, CHIP 51 0.5% 1/16W (1608)
R224	1-216-805-11	s METAL, CHIP 47 5% 1/16W (1608)
R225	1-216-805-11	s METAL, CHIP 47 5% 1/16W (1608)
R227-230	1-218-720-11	s METAL, CHIP 15K 0.5% 1/16W (1608)
R232	*3 1-216-817-11	s METAL, CHIP 470 5% 1/16W (1608)
R233	1-216-817-11	s METAL, CHIP 470 5% 1/16W (1608)
R234	*3 1-216-821-11	s METAL, CHIP 1.0K 5% 1/16W (1608)
R235	1-216-821-11	s METAL, CHIP 1.0K 5% 1/16W (1608)
R236	*3 1-216-805-11	s METAL, CHIP 47 5% 1/16W (1608)
R237	1-216-805-11	s METAL, CHIP 47 5% 1/16W (1608)
R238-241	1-218-716-11	s METAL, CHIP 10K 0.5% 1/16W (1608)
R242	1-216-821-11	s METAL, CHIP 1.0K 5% 1/16W (1608)
R243	1-216-821-11	s METAL, CHIP 1.0K 5% 1/16W (1608)
R244	1-216-833-11	s METAL, CHIP 10K 5% 1/16W (1608)
R245	1-216-833-11	s METAL, CHIP 10K 5% 1/16W (1608)
R246	1-216-815-11	s METAL, CHIP 330 5% 1/16W (1608)
R247	1-216-825-11	s METAL, CHIP 2.2K 5% 1/16W (1608)
R248	1-216-809-11	s METAL, CHIP 100 5% 1/16W (1608)
R249	1-216-815-11	s METAL, CHIP 330 5% 1/16W (1608)
R250	1-216-825-11	s METAL, CHIP 2.2K 5% 1/16W (1608)
R251	1-216-809-11	s METAL, CHIP 100 5% 1/16W (1608)
R341	1-216-821-11	s METAL, CHIP 1.0K 5% 1/16W (1608)
R342	1-216-809-11	s METAL, CHIP 100 5% 1/16W (1608)
R343-345	1-216-821-11	s METAL, CHIP 1.0K 5% 1/16W (1608)
R346	1-218-661-11	s METAL, CHIP 51 0.5% 1/16W (1608)
R347	*5 1-216-822-11	s METAL, CHIP 1.2K 5% 1/16W (1608)
R351	1-216-821-11	s METAL, CHIP 1.0K 5% 1/16W (1608)
R352	1-216-809-11	s METAL, CHIP 100 5% 1/16W (1608)
R353-355	1-216-821-11	s METAL, CHIP 1.0K 5% 1/16W (1608)

-----  
 \*3: Board No. suffix 11 or 12  
 \*4: Board No. suffix 12 or higher  
 \*5: Board No. suffix 13 or higher

-----  
 \*6: LOT No. 302 through 306  
 \*7: LOT No. 307 or higher

(EQ-45A BOARD for DVW-A500P, LOT No. 302 through 001)

(EQ-45A BOARD for DVW-A500P, LOT No. 302 through 001)

Ref. No. or Q'ty	Part No.	SP	Description
R356	1-218-661-11	s	METAL, CHIP 51 0.5% 1/16W (1608)
R357	*5 1-216-822-11	s	METAL, CHIP 1.2K 5% 1/16W (1608)
R400	1-216-821-11	s	METAL, CHIP 1.0K 5% 1/16W (1608)
R401	1-216-833-11	s	METAL, CHIP 10K 5% 1/16W (1608)
R402	1-216-805-11	s	METAL, CHIP 47 5% 1/16W (1608)
R403	1-216-833-11	s	METAL, CHIP 10K 5% 1/16W (1608)
R404	1-216-841-11	s	METAL, CHIP 47K 5% 1/16W (1608)
R405	1-216-789-11	s	METAL, CHIP 2.2 5% 1/16W (1608)
R406	1-216-825-11	s	METAL, CHIP 2.2K 5% 1/16W (1608)
R407	1-216-805-11	s	METAL, CHIP 47 5% 1/16W (1608)
R408	1-216-826-11	s	METAL, CHIP 2.7K 5% 1/16W (1608)
R409	*5 1-218-866-11	s	METAL, CHIP 6.2K 0.5% 1/16W (1608)
R410	1-216-803-11	s	METAL, CHIP 33 5% 1/16W (1608)
R411	*5 1-218-881-11	s	METAL, CHIP 27K 0.5% 1/16W (1608)
R412	*4 1-216-805-11	s	METAL, CHIP 47 5% 1/16W (1608)
	*1 1-218-864-11	s	METAL, CHIP 5.1K 0.5% 1/16W (1608)
R413	1-216-809-11	s	METAL, CHIP 100 5% 1/16W (1608)
R414	1-216-819-11	s	METAL, CHIP 680 5% 1/16W (1608)
R415	1-216-811-11	s	METAL, CHIP 150 5% 1/16W (1608)
R416	1-216-789-11	s	METAL, CHIP 2.2 5% 1/16W (1608)
R417	1-218-668-11	s	METAL, CHIP 100 0.5% 1/16W (1608)
R418	1-218-680-11	s	METAL, CHIP 330 0.5% 1/16W (1608)
R419	1-216-821-11	s	METAL, CHIP 1.0K 5% 1/16W (1608)
R420-422	1-216-809-11	s	METAL, CHIP 100 5% 1/16W (1608)
R423	1-216-805-11	s	METAL, CHIP 47 5% 1/16W (1608)
R424	1-216-819-11	s	METAL, CHIP 680 5% 1/16W (1608)
R425	1-216-821-11	s	METAL, CHIP 1.0K 5% 1/16W (1608)
R426	1-218-676-11	s	METAL, CHIP 220 0.5% 1/16W (1608)
R427	*5 1-218-688-11	s	METAL, CHIP 680 0.5% 1/16W (1608)
R428	1-218-676-11	s	METAL, CHIP 220 0.5% 1/16W (1608)
R429	1-216-809-11	s	METAL, CHIP 100 5% 1/16W (1608)
R430	1-218-676-11	s	METAL, CHIP 220 0.5% 1/16W (1608)
R431	1-218-676-11	s	METAL, CHIP 220 0.5% 1/16W (1608)
R432	1-218-680-11	s	METAL, CHIP 330 0.5% 1/16W (1608)
R433	1-216-825-11	s	METAL, CHIP 2.2K 5% 1/16W (1608)
R434	1-216-815-11	s	METAL, CHIP 330 5% 1/16W (1608)
R435	1-218-680-11	s	METAL, CHIP 330 0.5% 1/16W (1608)
R436	*5 1-218-881-11	s	METAL, CHIP 27K 0.5% 1/16W (1608)
R437	1-218-700-11	s	METAL, CHIP 2.2K 0.5% 1/16W (1608)
R438	1-216-809-11	s	METAL, CHIP 100 5% 1/16W (1608)
R439	1-216-805-11	s	METAL, CHIP 47 5% 1/16W (1608)
R440	1-216-825-11	s	METAL, CHIP 2.2K 5% 1/16W (1608)
R441	1-218-842-11	s	METAL, CHIP 620 0.5% 1/16W (1608)
R442	1-218-676-11	s	METAL, CHIP 220 0.5% 1/16W (1608)
R443	1-218-680-11	s	METAL, CHIP 330 0.5% 1/16W (1608)
R444	1-216-805-11	s	METAL, CHIP 47 5% 1/16W (1608)
R445	1-216-817-11	s	METAL, CHIP 470 5% 1/16W (1608)
R446	1-218-664-11	s	METAL, CHIP 68 0.5% 1/16W (1608)
R447	1-218-740-11	s	METAL, CHIP 100K 0.5% 1/16W (1608)
R448	1-216-841-11	s	METAL, CHIP 47K 5% 1/16W (1608)
R449	1-216-841-11	s	METAL, CHIP 47K 5% 1/16W (1608)
R451	1-216-809-11	s	METAL, CHIP 100 5% 1/16W (1608)
R452	1-216-821-11	s	METAL, CHIP 1.0K 5% 1/16W (1608)
R453	1-216-821-11	s	METAL, CHIP 1.0K 5% 1/16W (1608)
R454	1-216-815-11	s	METAL, CHIP 330 5% 1/16W (1608)
R455	1-218-700-11	s	METAL, CHIP 2.2K 0.5% 1/16W (1608)

\*1: Board No. suffix 11 only  
\*3: Board No. suffix 11 or 12

Ref. No. or Q'ty	Part No.	SP	Description
R456	1-218-692-11	s	METAL, CHIP 1.0K 0.5% 1/16W (1608)
R458	1-218-692-11	s	METAL, CHIP 1.0K 0.5% 1/16W (1608)
R459	*3 1-216-809-11	s	METAL, CHIP 100 5% 1/16W (1608)
R460	*3 1-216-821-11	s	METAL, CHIP 1.0K 5% 1/16W (1608)
R462	1-216-819-11	s	METAL, CHIP 680 5% 1/16W (1608)
R463	1-216-815-11	s	METAL, CHIP 330 5% 1/16W (1608)
R464	1-216-821-11	s	METAL, CHIP 1.0K 5% 1/16W (1608)
R465	1-216-805-11	s	METAL, CHIP 47 5% 1/16W (1608)
R466	1-216-821-11	s	METAL, CHIP 1.0K 5% 1/16W (1608)
R467	1-216-821-11	s	METAL, CHIP 1.0K 5% 1/16W (1608)
R469	*3 1-216-837-11	s	METAL, CHIP 22K 5% 1/16W (1608)
R472	1-218-676-11	s	METAL, CHIP 220 0.5% 1/16W (1608)
R473	1-218-676-11	s	METAL, CHIP 220 0.5% 1/16W (1608)
R474	1-218-842-11	s	METAL, CHIP 620 0.5% 1/16W (1608)
R475	1-216-805-11	s	METAL, CHIP 47 5% 1/16W (1608)
R476	*4 1-218-700-11	s	METAL, CHIP 2.2K 0.5% 1/16W (1608)
R477	*4 1-216-809-11	s	METAL, CHIP 100 5% 1/16W (1608)
R478	*4 1-218-676-11	s	METAL, CHIP 220 0.5% 1/16W (1608)
R479	*4 1-218-675-11	s	METAL, CHIP 200 0.5% 1/16W (1608)
R480	*4 1-216-817-11	s	METAL, CHIP 470 5% 1/16W (1608)
R481	*4 1-218-672-11	s	METAL, CHIP 150 0.5% 1/16W (1608)
R482	*4 1-216-817-11	s	METAL, CHIP 470 5% 1/16W (1608)
R483	*4 1-216-805-11	s	METAL, CHIP 47 5% 1/16W (1608)
R484	*5 1-218-707-11	s	METAL, CHIP 4.3K 0.5% 1/16W (1608)
	*3 1-215-436-00	s	METAL 4.3K 1% 1/4W
R500	1-216-821-11	s	METAL, CHIP 1.0K 5% 1/16W (1608)
R503	1-216-833-11	s	METAL, CHIP 10K 5% 1/16W (1608)
R504	1-216-841-11	s	METAL, CHIP 47K 5% 1/16W (1608)
R505	1-216-789-11	s	METAL, CHIP 2.2 5% 1/16W (1608)
R506	1-216-825-11	s	METAL, CHIP 2.2K 5% 1/16W (1608)
R507	1-216-805-11	s	METAL, CHIP 47 5% 1/16W (1608)
R508	1-216-826-11	s	METAL, CHIP 2.7K 5% 1/16W (1608)
R509	*5 1-218-866-11	s	METAL, CHIP 6.2K 0.5% 1/16W (1608)
R510	1-216-803-11	s	METAL, CHIP 33 5% 1/16W (1608)
R511	*5 1-218-881-11	s	METAL, CHIP 27K 0.5% 1/16W (1608)
R512	*4 1-216-805-11	s	METAL, CHIP 47 5% 1/16W (1608)
	*1 1-218-864-11	s	METAL, CHIP 5.1K 0.5% 1/16W (1608)
R513	1-216-809-11	s	METAL, CHIP 100 5% 1/16W (1608)
R514	1-216-819-11	s	METAL, CHIP 680 5% 1/16W (1608)
R515	1-216-811-11	s	METAL, CHIP 150 5% 1/16W (1608)
R516	1-216-789-11	s	METAL, CHIP 2.2 5% 1/16W (1608)
R517	1-218-668-11	s	METAL, CHIP 100 0.5% 1/16W (1608)
R518	1-218-680-11	s	METAL, CHIP 330 0.5% 1/16W (1608)
R519	1-216-821-11	s	METAL, CHIP 1.0K 5% 1/16W (1608)
R520-522	1-216-809-11	s	METAL, CHIP 100 5% 1/16W (1608)
R523	1-216-805-11	s	METAL, CHIP 47 5% 1/16W (1608)
R524	1-216-819-11	s	METAL, CHIP 680 5% 1/16W (1608)
R525	1-216-821-11	s	METAL, CHIP 1.0K 5% 1/16W (1608)
R526	1-218-676-11	s	METAL, CHIP 220 0.5% 1/16W (1608)
R527	*5 1-218-688-11	s	METAL, CHIP 680 0.5% 1/16W (1608)
R528	1-218-676-11	s	METAL, CHIP 220 0.5% 1/16W (1608)
R529	1-216-809-11	s	METAL, CHIP 100 5% 1/16W (1608)
R530	1-218-676-11	s	METAL, CHIP 220 0.5% 1/16W (1608)
R531	1-218-676-11	s	METAL, CHIP 220 0.5% 1/16W (1608)
R532	1-218-680-11	s	METAL, CHIP 330 0.5% 1/16W (1608)
R533	1-216-825-11	s	METAL, CHIP 2.2K 5% 1/16W (1608)

\*4: Board No. suffix 12 or higher  
\*5: Board No. suffix 13 or higher

(EQ-45A BOARD for DVW-A500P, LOT No. 302 through 001)

(EQ-45A BOARD for DVW-A500P, LOT No. 302 through 001)

Ref. No. or Q'ty	Part No.	SP Description
R534	1-216-815-11	s METAL, CHIP 330 5% 1/16W (1608)
R535	1-218-680-11	s METAL, CHIP 330 0.5% 1/16W (1608)
R536	*5 1-218-881-11	s METAL, CHIP 27K 0.5% 1/16W (1608)
R537	1-218-700-11	s METAL, CHIP 2.2K 0.5% 1/16W (1608)
R538	1-216-809-11	s METAL, CHIP 100 5% 1/16W (1608)
R539	1-216-805-11	s METAL, CHIP 47 5% 1/16W (1608)
R540	1-216-825-11	s METAL, CHIP 2.2K 5% 1/16W (1608)
R541	1-218-842-11	s METAL, CHIP 620 0.5% 1/16W (1608)
R542	1-218-676-11	s METAL, CHIP 220 0.5% 1/16W (1608)
R543	1-218-680-11	s METAL, CHIP 330 0.5% 1/16W (1608)
R544	1-216-805-11	s METAL, CHIP 47 5% 1/16W (1608)
R545	1-216-817-11	s METAL, CHIP 470 5% 1/16W (1608)
R546	1-218-664-11	s METAL, CHIP 68 0.5% 1/16W (1608)
R547	1-218-740-11	s METAL, CHIP 100K 0.5% 1/16W (1608)
R548	1-216-841-11	s METAL, CHIP 47K 5% 1/16W (1608)
R549	1-216-841-11	s METAL, CHIP 47K 5% 1/16W (1608)
R551	1-216-809-11	s METAL, CHIP 100 5% 1/16W (1608)
R552	1-216-821-11	s METAL, CHIP 1.0K 5% 1/16W (1608)
R553	1-216-821-11	s METAL, CHIP 1.0K 5% 1/16W (1608)
R554	1-216-815-11	s METAL, CHIP 330 5% 1/16W (1608)
R555	1-218-700-11	s METAL, CHIP 2.2K 0.5% 1/16W (1608)
R556	1-218-692-11	s METAL, CHIP 1.0K 0.5% 1/16W (1608)
R558	1-218-692-11	s METAL, CHIP 1.0K 0.5% 1/16W (1608)
R559	*3 1-216-809-11	s METAL, CHIP 100 5% 1/16W (1608)
R560	*3 1-216-821-11	s METAL, CHIP 1.0K 5% 1/16W (1608)
R562	1-216-819-11	s METAL, CHIP 680 5% 1/16W (1608)
R563	1-216-815-11	s METAL, CHIP 330 5% 1/16W (1608)
R564	1-216-821-11	s METAL, CHIP 1.0K 5% 1/16W (1608)
R565	1-216-805-11	s METAL, CHIP 47 5% 1/16W (1608)
R566	1-216-821-11	s METAL, CHIP 1.0K 5% 1/16W (1608)
R567	1-216-821-11	s METAL, CHIP 1.0K 5% 1/16W (1608)
R569	*3 1-216-837-11	s METAL, CHIP 22K 5% 1/16W (1608)
R572	1-218-676-11	s METAL, CHIP 220 0.5% 1/16W (1608)
R573	1-218-676-11	s METAL, CHIP 220 0.5% 1/16W (1608)
R574	1-218-842-11	s METAL, CHIP 620 0.5% 1/16W (1608)
R575	1-216-805-11	s METAL, CHIP 47 5% 1/16W (1608)
R576	*4 1-218-700-11	s METAL, CHIP 2.2K 0.5% 1/16W (1608)
R577	*4 1-216-809-11	s METAL, CHIP 100 5% 1/16W (1608)
R578	*4 1-218-676-11	s METAL, CHIP 220 0.5% 1/16W (1608)
R579	*4 1-218-675-11	s METAL, CHIP 200 0.5% 1/16W (1608)
R580	*4 1-216-817-11	s METAL, CHIP 470 5% 1/16W (1608)
R581	*4 1-218-672-11	s METAL, CHIP 150 0.5% 1/16W (1608)
R582	*4 1-216-817-11	s METAL, CHIP 470 5% 1/16W (1608)
R583	*4 1-216-805-11	s METAL, CHIP 47 5% 1/16W (1608)
R584	*5 1-218-707-11	s METAL, CHIP 4.3K 0.5% 1/16W (1608)
	*3 1-215-436-00	s METAL 4.3K 1% 1/4W
R600	1-216-821-11	s METAL, CHIP 1.0K 5% 1/16W (1608)
R601	1-216-833-11	s METAL, CHIP 10K 5% 1/16W (1608)
R602	1-216-805-11	s METAL, CHIP 47 5% 1/16W (1608)
R603	1-216-833-11	s METAL, CHIP 10K 5% 1/16W (1608)
R604	1-216-841-11	s METAL, CHIP 47K 5% 1/16W (1608)
R605	1-216-789-11	s METAL, CHIP 2.2 5% 1/16W (1608)
R606	1-216-825-11	s METAL, CHIP 2.2K 5% 1/16W (1608)
R607	1-216-805-11	s METAL, CHIP 47 5% 1/16W (1608)
R608	1-216-826-11	s METAL, CHIP 2.7K 5% 1/16W (1608)
R609	*5 1-218-866-11	s METAL, CHIP 6.2K 0.5% 1/16W (1608)

Ref. No. or Q'ty	Part No.	SP Description
R610	1-216-803-11	s METAL, CHIP 33 5% 1/16W (1608)
R611	*5 1-218-881-11	s METAL, CHIP 27K 0.5% 1/16W (1608)
R612	*4 1-216-805-11	s METAL, CHIP 47 5% 1/16W (1608)
	*1 1-218-864-11	s METAL, CHIP 5.1K 0.5% 1/16W (1608)
R613	1-216-809-11	s METAL, CHIP 100 5% 1/16W (1608)
R614	1-216-819-11	s METAL, CHIP 680 5% 1/16W (1608)
R615	1-216-811-11	s METAL, CHIP 150 5% 1/16W (1608)
R616	1-216-789-11	s METAL, CHIP 2.2 5% 1/16W (1608)
R617	1-218-668-11	s METAL, CHIP 100 0.5% 1/16W (1608)
R618	1-218-680-11	s METAL, CHIP 330 0.5% 1/16W (1608)
R619	1-216-821-11	s METAL, CHIP 1.0K 5% 1/16W (1608)
R620	1-216-809-11	s METAL, CHIP 100 5% 1/16W (1608)
R621	1-216-809-11	s METAL, CHIP 100 5% 1/16W (1608)
R623	1-216-805-11	s METAL, CHIP 47 5% 1/16W (1608)
R624	1-216-819-11	s METAL, CHIP 680 5% 1/16W (1608)
R626	1-218-676-11	s METAL, CHIP 220 0.5% 1/16W (1608)
R627	*5 1-218-688-11	s METAL, CHIP 680 0.5% 1/16W (1608)
R628	1-218-676-11	s METAL, CHIP 220 0.5% 1/16W (1608)
R629	1-216-809-11	s METAL, CHIP 100 5% 1/16W (1608)
R630	1-218-676-11	s METAL, CHIP 220 0.5% 1/16W (1608)
R631	1-218-676-11	s METAL, CHIP 220 0.5% 1/16W (1608)
R632	1-218-680-11	s METAL, CHIP 330 0.5% 1/16W (1608)
R633	1-216-825-11	s METAL, CHIP 2.2K 5% 1/16W (1608)
R634	1-216-815-11	s METAL, CHIP 330 5% 1/16W (1608)
R635	1-218-680-11	s METAL, CHIP 330 0.5% 1/16W (1608)
R636	*5 1-218-881-11	s METAL, CHIP 27K 0.5% 1/16W (1608)
R637	1-218-700-11	s METAL, CHIP 2.2K 0.5% 1/16W (1608)
R638	1-216-809-11	s METAL, CHIP 100 5% 1/16W (1608)
R639	1-216-805-11	s METAL, CHIP 47 5% 1/16W (1608)
R640	1-216-825-11	s METAL, CHIP 2.2K 5% 1/16W (1608)
R641	1-218-842-11	s METAL, CHIP 620 0.5% 1/16W (1608)
R642	1-218-676-11	s METAL, CHIP 220 0.5% 1/16W (1608)
R643	1-218-680-11	s METAL, CHIP 330 0.5% 1/16W (1608)
R644	1-216-805-11	s METAL, CHIP 47 5% 1/16W (1608)
R645	1-216-817-11	s METAL, CHIP 470 5% 1/16W (1608)
R646	1-218-664-11	s METAL, CHIP 68 0.5% 1/16W (1608)
R647	1-218-740-11	s METAL, CHIP 100K 0.5% 1/16W (1608)
R648	1-216-841-11	s METAL, CHIP 47K 5% 1/16W (1608)
R649	1-216-841-11	s METAL, CHIP 47K 5% 1/16W (1608)
R651	1-216-809-11	s METAL, CHIP 100 5% 1/16W (1608)
R652	1-216-821-11	s METAL, CHIP 1.0K 5% 1/16W (1608)
R653	1-216-821-11	s METAL, CHIP 1.0K 5% 1/16W (1608)
R654	1-216-815-11	s METAL, CHIP 330 5% 1/16W (1608)
R655	1-218-700-11	s METAL, CHIP 2.2K 0.5% 1/16W (1608)
R656	1-218-692-11	s METAL, CHIP 1.0K 0.5% 1/16W (1608)
R658	1-218-692-11	s METAL, CHIP 1.0K 0.5% 1/16W (1608)
R662	1-216-819-11	s METAL, CHIP 680 5% 1/16W (1608)
R663	1-216-815-11	s METAL, CHIP 330 5% 1/16W (1608)
R664	1-216-821-11	s METAL, CHIP 1.0K 5% 1/16W (1608)
R665	1-216-805-11	s METAL, CHIP 47 5% 1/16W (1608)
R666	1-216-821-11	s METAL, CHIP 1.0K 5% 1/16W (1608)
R667	1-216-821-11	s METAL, CHIP 1.0K 5% 1/16W (1608)
R669	*3 1-216-837-11	s METAL, CHIP 22K 5% 1/16W (1608)
R672	1-218-676-11	s METAL, CHIP 220 0.5% 1/16W (1608)
R673	1-218-676-11	s METAL, CHIP 220 0.5% 1/16W (1608)
R674	1-218-842-11	s METAL, CHIP 620 0.5% 1/16W (1608)

-----  
 \*1: Board No. suffix 11 only  
 \*3: Board No. suffix 11 or 12

-----  
 \*4: Board No. suffix 12 or higher  
 \*5: Board No. suffix 13 or higher



(EQ-45A BOARD for DVW-A500P, LOT No. 302 through 001)

(EQ-45A BOARD for DVW-A500P, LOT No. 302 through 001)

Ref. No. or Q'ty	Part No.	SP	Description
R675	1-216-805-11	s	METAL, CHIP 47 5% 1/16W (1608)
R676	*4 1-218-700-11	s	METAL, CHIP 2.2K 0.5% 1/16W (1608)
R677	*4 1-216-809-11	s	METAL, CHIP 100 5% 1/16W (1608)
R678	*4 1-218-676-11	s	METAL, CHIP 220 0.5% 1/16W (1608)
R679	*4 1-218-675-11	s	METAL, CHIP 200 0.5% 1/16W (1608)
R680	*4 1-216-817-11	s	METAL, CHIP 470 5% 1/16W (1608)
R681	*4 1-218-672-11	s	METAL, CHIP 150 0.5% 1/16W (1608)
R682	*4 1-216-817-11	s	METAL, CHIP 470 5% 1/16W (1608)
R683	*4 1-216-805-11	s	METAL, CHIP 47 5% 1/16W (1608)
R684	*5 1-218-707-11	s	METAL, CHIP 4.3K 0.5% 1/16W (1608)
	*3 1-215-436-00	s	METAL 4.3K 1% 1/4W
R700	1-216-821-11	s	METAL, CHIP 1.0K 5% 1/16W (1608)
R703	1-216-833-11	s	METAL, CHIP 10K 5% 1/16W (1608)
R704	1-216-841-11	s	METAL, CHIP 47K 5% 1/16W (1608)
R705	1-216-789-11	s	METAL, CHIP 2.2 5% 1/16W (1608)
R706	1-216-825-11	s	METAL, CHIP 2.2K 5% 1/16W (1608)
R707	1-216-805-11	s	METAL, CHIP 47 5% 1/16W (1608)
R708	1-216-826-11	s	METAL, CHIP 2.7K 5% 1/16W (1608)
R709	*5 1-218-866-11	s	METAL, CHIP 6.2K 0.5% 1/16W (1608)
R710	1-216-803-11	s	METAL, CHIP 33 5% 1/16W (1608)
R711	*5 1-218-881-11	s	METAL, CHIP 27K 0.5% 1/16W (1608)
R712	*4 1-216-805-11	s	METAL, CHIP 47 5% 1/16W (1608)
	*1 1-218-864-11	s	METAL, CHIP 5.1K 0.5% 1/16W (1608)
R713	1-216-809-11	s	METAL, CHIP 100 5% 1/16W (1608)
R714	1-216-819-11	s	METAL, CHIP 680 5% 1/16W (1608)
R715	1-216-811-11	s	METAL, CHIP 150 5% 1/16W (1608)
R716	1-216-789-11	s	METAL, CHIP 2.2 5% 1/16W (1608)
R717	1-218-668-11	s	METAL, CHIP 100 0.5% 1/16W (1608)
R718	1-218-680-11	s	METAL, CHIP 330 0.5% 1/16W (1608)
R719	1-216-821-11	s	METAL, CHIP 1.0K 5% 1/16W (1608)
R720	1-216-809-11	s	METAL, CHIP 100 5% 1/16W (1608)
R721	1-216-809-11	s	METAL, CHIP 100 5% 1/16W (1608)
R723	1-216-805-11	s	METAL, CHIP 47 5% 1/16W (1608)
R724	1-216-819-11	s	METAL, CHIP 680 5% 1/16W (1608)
R726	1-218-676-11	s	METAL, CHIP 220 0.5% 1/16W (1608)
R727	*5 1-218-688-11	s	METAL, CHIP 680 0.5% 1/16W (1608)
R728	1-218-676-11	s	METAL, CHIP 220 0.5% 1/16W (1608)
R729	1-216-809-11	s	METAL, CHIP 100 5% 1/16W (1608)
R730	1-218-676-11	s	METAL, CHIP 220 0.5% 1/16W (1608)
R731	1-218-676-11	s	METAL, CHIP 220 0.5% 1/16W (1608)
R732	1-218-680-11	s	METAL, CHIP 330 0.5% 1/16W (1608)
R733	1-216-825-11	s	METAL, CHIP 2.2K 5% 1/16W (1608)
R734	1-216-815-11	s	METAL, CHIP 330 5% 1/16W (1608)
R735	1-218-680-11	s	METAL, CHIP 330 0.5% 1/16W (1608)
R736	*5 1-218-881-11	s	METAL, CHIP 27K 0.5% 1/16W (1608)
R737	1-218-700-11	s	METAL, CHIP 2.2K 0.5% 1/16W (1608)
R738	1-216-809-11	s	METAL, CHIP 100 5% 1/16W (1608)
R739	1-216-805-11	s	METAL, CHIP 47 5% 1/16W (1608)
R740	1-216-825-11	s	METAL, CHIP 2.2K 5% 1/16W (1608)
R741	1-218-842-11	s	METAL, CHIP 620 0.5% 1/16W (1608)
R742	1-218-676-11	s	METAL, CHIP 220 0.5% 1/16W (1608)
R743	1-218-680-11	s	METAL, CHIP 330 0.5% 1/16W (1608)
R744	1-216-805-11	s	METAL, CHIP 47 5% 1/16W (1608)
R745	1-216-817-11	s	METAL, CHIP 470 5% 1/16W (1608)
R746	1-218-664-11	s	METAL, CHIP 68 0.5% 1/16W (1608)
R747	1-218-740-11	s	METAL, CHIP 100K 0.5% 1/16W (1608)

Ref. No. or Q'ty	Part No.	SP	Description
R748	1-216-841-11	s	METAL, CHIP 47K 5% 1/16W (1608)
R749	1-216-841-11	s	METAL, CHIP 47K 5% 1/16W (1608)
R751	1-216-809-11	s	METAL, CHIP 100 5% 1/16W (1608)
R752	1-216-821-11	s	METAL, CHIP 1.0K 5% 1/16W (1608)
R753	1-216-821-11	s	METAL, CHIP 1.0K 5% 1/16W (1608)
R754	1-216-815-11	s	METAL, CHIP 330 5% 1/16W (1608)
R755	1-218-700-11	s	METAL, CHIP 2.2K 0.5% 1/16W (1608)
R756	1-218-692-11	s	METAL, CHIP 1.0K 0.5% 1/16W (1608)
R758	1-218-692-11	s	METAL, CHIP 1.0K 0.5% 1/16W (1608)
R762	1-216-819-11	s	METAL, CHIP 680 5% 1/16W (1608)
R763	1-216-815-11	s	METAL, CHIP 330 5% 1/16W (1608)
R764	1-216-821-11	s	METAL, CHIP 1.0K 5% 1/16W (1608)
R765	1-216-805-11	s	METAL, CHIP 47 5% 1/16W (1608)
R766	1-216-821-11	s	METAL, CHIP 1.0K 5% 1/16W (1608)
R767	1-216-821-11	s	METAL, CHIP 1.0K 5% 1/16W (1608)
R769	*3 1-216-837-11	s	METAL, CHIP 22K 5% 1/16W (1608)
R772	1-218-676-11	s	METAL, CHIP 220 0.5% 1/16W (1608)
R773	1-218-676-11	s	METAL, CHIP 220 0.5% 1/16W (1608)
R774	1-218-842-11	s	METAL, CHIP 620 0.5% 1/16W (1608)
R775	1-216-805-11	s	METAL, CHIP 47 5% 1/16W (1608)
R776	*4 1-218-700-11	s	METAL, CHIP 2.2K 0.5% 1/16W (1608)
R777	*4 1-216-809-11	s	METAL, CHIP 100 5% 1/16W (1608)
R778	*4 1-218-676-11	s	METAL, CHIP 220 0.5% 1/16W (1608)
R779	*4 1-218-675-11	s	METAL, CHIP 200 0.5% 1/16W (1608)
R780	*4 1-216-817-11	s	METAL, CHIP 470 5% 1/16W (1608)
R781	*4 1-218-672-11	s	METAL, CHIP 150 0.5% 1/16W (1608)
R782	*4 1-216-817-11	s	METAL, CHIP 470 5% 1/16W (1608)
R783	*4 1-216-805-11	s	METAL, CHIP 47 5% 1/16W (1608)
R784	*5 1-218-707-11	s	METAL, CHIP 4.3K 0.5% 1/16W (1608)
	*3 1-215-436-00	s	METAL 4.3K 1% 1/4W
R800	1-216-826-11	s	METAL, CHIP 2.7K 5% 1/16W (1608)
R801	1-218-692-11	s	METAL, CHIP 1.0K 0.5% 1/16W (1608)
R802	1-218-732-11	s	METAL, CHIP 47K 0.5% 1/16W (1608)
R803	*5 1-218-874-11	s	METAL, CHIP 13K 0.5% 1/16W (1608)
R804	*5 1-218-867-11	s	METAL, CHIP 6.8K 0.5% 1/16W (1608)
R805	1-218-720-11	s	METAL, CHIP 15K 0.5% 1/16W (1608)
R806-808	1-216-805-11	s	METAL, CHIP 47 5% 1/16W (1608)
R810	1-218-702-11	s	METAL, CHIP 2.7K 0.5% 1/16W (1608)
R811-816	1-216-805-11	s	METAL, CHIP 47 5% 1/16W (1608)
R817	1-218-874-11	s	METAL, CHIP 13K 0.5% 1/16W (1608)
R818	1-216-805-11	s	METAL, CHIP 47 5% 1/16W (1608)
R819	1-211-977-11	s	METAL, CHIP 22 0.5% 1/16W (1608)
R820	1-218-867-11	s	METAL, CHIP 6.8K 0.5% 1/16W (1608)
R821	1-216-819-11	s	METAL, CHIP 680 5% 1/16W (1608)
R822	1-216-825-11	s	METAL, CHIP 2.2K 5% 1/16W (1608)
R823	1-216-819-11	s	METAL, CHIP 680 5% 1/16W (1608)
R824	*4 1-218-874-11	s	METAL, CHIP 13K 0.5% 1/16W (1608)
R825A	*1 1-214-584-00	s	METAL 13K 1% 1/8W
R825	*4 1-218-874-11	s	METAL, CHIP 13K 0.5% 1/16W (1608)
R825A	*1 1-214-584-00	s	METAL 13K 1% 1/8W
R826	1-218-733-11	s	METAL, CHIP 51K 0.5% 1/16W (1608)
R827	1-218-867-11	s	METAL, CHIP 6.8K 0.5% 1/16W (1608)
R828	1-218-702-11	s	METAL, CHIP 2.7K 0.5% 1/16W (1608)
R829	1-218-844-11	s	METAL, CHIP 750 0.5% 1/16W (1608)
R830	1-216-825-11	s	METAL, CHIP 2.2K 5% 1/16W (1608)
R831	1-218-716-11	s	METAL, CHIP 10K 0.5% 1/16W (1608)

-----  
 \*1: Board No. suffix 11 only  
 \*3: Board No. suffix 11 or 12

-----  
 \*4: Board No. suffix 12 or higher  
 \*5: Board No. suffix 13 or higher

(EQ-45A BOARD for DVW-A500P, LOT No. 302 through 001)

(EQ-45A BOARD for DVW-A500P, LOT No. 302 through 001)

Ref. No. or Q'ty	Part No.	SP Description
R832	1-218-679-91	s METAL, CHIP 300 0.5% 1/16W (1608)
R833	1-218-694-11	s METAL, CHIP 1.2K 0.5% 1/16W (1608)
R834	1-218-663-11	s METAL, CHIP 62 0.5% 1/16W (1608)
R835-837	1-218-716-11	s METAL, CHIP 10K 0.5% 1/16W (1608)
R838	1-216-817-11	s METAL, CHIP 470 5% 1/16W (1608)
R839	1-218-692-11	s METAL, CHIP 1.0K 0.5% 1/16W (1608)
R840	1-218-732-11	s METAL, CHIP 47K 0.5% 1/16W (1608)
R841	*5 1-218-717-11	s METAL, CHIP 11K 0.5% 1/16W (1608)
R842	*5 1-218-867-11	s METAL, CHIP 6.8K 0.5% 1/16W (1608)
R843	1-218-874-11	s METAL, CHIP 13K 0.5% 1/16W (1608)
R844	1-218-702-11	s METAL, CHIP 2.7K 0.5% 1/16W (1608)
R845	1-218-844-11	s METAL, CHIP 750 0.5% 1/16W (1608)
R846	1-218-752-11	s METAL, CHIP 330K 0.5% 1/16W (1608)
R848	1-218-702-11	s METAL, CHIP 2.7K 0.5% 1/16W (1608)
R849	1-218-752-11	s METAL, CHIP 330K 0.5% 1/16W (1608)
R850	*5 1-216-837-11	s METAL, CHIP 22K 5% 1/16W (1608)
R851	*5 1-216-837-11	s METAL, CHIP 22K 5% 1/16W (1608)
R854	1-216-805-11	s METAL, CHIP 47 5% 1/16W (1608)
R855	1-218-874-11	s METAL, CHIP 13K 0.5% 1/16W (1608)
R856	1-218-714-11	s METAL, CHIP 8.2K 0.5% 1/16W (1608)
R857	1-211-977-11	s METAL, CHIP 22 0.5% 1/16W (1608)
R858	1-218-714-11	s METAL, CHIP 8.2K 0.5% 1/16W (1608)
R859	1-216-819-11	s METAL, CHIP 680 5% 1/16W (1608)
R860	1-216-825-11	s METAL, CHIP 2.2K 5% 1/16W (1608)
R861	1-216-819-11	s METAL, CHIP 680 5% 1/16W (1608)
R862	1-216-805-11	s METAL, CHIP 47 5% 1/16W (1608)
R863	*5 1-216-837-11	s METAL, CHIP 22K 5% 1/16W (1608)
	*3 1-216-797-11	s METAL, CHIP 10 5% 1/16W (1608)
R864	1-218-733-11	s METAL, CHIP 51K 0.5% 1/16W (1608)
R865	*5 1-216-837-11	s METAL, CHIP 22K 5% 1/16W (1608)
	*3 1-216-797-11	s METAL, CHIP 10 5% 1/16W (1608)
R866	*5 1-218-697-11	s METAL, CHIP 1.6K 0.5% 1/16W (1608)
	*3 1-216-797-11	s METAL, CHIP 10 5% 1/16W (1608)
R867	*5 1-218-716-11	s METAL, CHIP 10K 0.5% 1/16W (1608)
	*3 1-216-797-11	s METAL, CHIP 10 5% 1/16W (1608)
R868	1-216-825-11	s METAL, CHIP 2.2K 5% 1/16W (1608)
R869	1-218-716-11	s METAL, CHIP 10K 0.5% 1/16W (1608)
R870	1-218-679-91	s METAL, CHIP 300 0.5% 1/16W (1608)
R871	1-218-694-11	s METAL, CHIP 1.2K 0.5% 1/16W (1608)
R872	1-218-663-11	s METAL, CHIP 62 0.5% 1/16W (1608)
R873-875	1-218-716-11	s METAL, CHIP 10K 0.5% 1/16W (1608)
R876	1-216-817-11	s METAL, CHIP 470 5% 1/16W (1608)
R877	1-216-805-11	s METAL, CHIP 47 5% 1/16W (1608)
R878	1-216-805-11	s METAL, CHIP 47 5% 1/16W (1608)
R879	*5 1-218-716-11	s METAL, CHIP 10K 0.5% 1/16W (1608)
	*3 1-216-797-11	s METAL, CHIP 10 5% 1/16W (1608)
R880	*5 1-216-837-11	s METAL, CHIP 22K 5% 1/16W (1608)
	*3 1-216-797-11	s METAL, CHIP 10 5% 1/16W (1608)
R881	*5 1-218-296-11	s METAL, CHIP 75K 5% 1/16W (1608)
	*3 1-216-797-11	s METAL, CHIP 10 5% 1/16W (1608)
R882	*5 1-218-716-11	s METAL, CHIP 10K 0.5% 1/16W (1608)
	*3 1-216-797-11	s METAL, CHIP 10 5% 1/16W (1608)
R883	*5 1-218-716-11	s METAL, CHIP 10K 0.5% 1/16W (1608)
	*3 1-216-797-11	s METAL, CHIP 10 5% 1/16W (1608)

Ref. No. or Q'ty	Part No.	SP Description
R884	*5 1-216-837-11	s METAL, CHIP 22K 5% 1/16W (1608)
	*3 1-216-797-11	s METAL, CHIP 10 5% 1/16W (1608)
R885	1-216-817-11	s METAL, CHIP 470 5% 1/16W (1608)
R886	1-216-817-11	s METAL, CHIP 470 5% 1/16W (1608)
R887	*4 1-216-837-11	s METAL, CHIP 22K 5% 1/16W (1608)
R888	1-216-826-11	s METAL, CHIP 2.7K 5% 1/16W (1608)
R889	*4 1-218-677-11	s METAL, CHIP 240 0.5% 1/16W (1608)
R890	*4 1-216-837-11	s METAL, CHIP 22K 5% 1/16W (1608)
R891	*4 1-218-677-11	s METAL, CHIP 240 0.5% 1/16W (1608)
R892	1-216-829-11	s METAL, CHIP 4.7K 5% 1/16W (1608)
R893	1-216-850-11	s METAL, CHIP 270K 5% 1/16W (1608)
R894	1-216-833-11	s METAL, CHIP 10K 5% 1/16W (1608)
R895	1-218-732-11	s METAL, CHIP 47K 0.5% 1/16W (1608)
R896	1-218-732-11	s METAL, CHIP 47K 0.5% 1/16W (1608)
R897	1-218-864-11	s METAL, CHIP 5.1K 0.5% 1/16W (1608)
R898	1-218-864-11	s METAL, CHIP 5.1K 0.5% 1/16W (1608)
R899	*5 1-218-695-11	s METAL, CHIP 1.3K 0.5% 1/16W (1608)
R900	1-216-826-11	s METAL, CHIP 2.7K 5% 1/16W (1608)
R901	1-218-692-11	s METAL, CHIP 1.0K 0.5% 1/16W (1608)
R902	1-218-732-11	s METAL, CHIP 47K 0.5% 1/16W (1608)
R903	*5 1-218-874-11	s METAL, CHIP 13K 0.5% 1/16W (1608)
R904	*5 1-218-867-11	s METAL, CHIP 6.8K 0.5% 1/16W (1608)
R905	1-218-720-11	s METAL, CHIP 15K 0.5% 1/16W (1608)
R906-908	1-216-805-11	s METAL, CHIP 47 5% 1/16W (1608)
R910	1-218-702-11	s METAL, CHIP 2.7K 0.5% 1/16W (1608)
R911-916	1-216-805-11	s METAL, CHIP 47 5% 1/16W (1608)
R917	1-218-874-11	s METAL, CHIP 13K 0.5% 1/16W (1608)
R918	1-216-805-11	s METAL, CHIP 47 5% 1/16W (1608)
R919	1-211-977-11	s METAL, CHIP 22 0.5% 1/16W (1608)
R920	1-218-867-11	s METAL, CHIP 6.8K 0.5% 1/16W (1608)
R921	1-216-819-11	s METAL, CHIP 680 5% 1/16W (1608)
R922	1-216-825-11	s METAL, CHIP 2.2K 5% 1/16W (1608)
R923	1-216-819-11	s METAL, CHIP 680 5% 1/16W (1608)
R924	1-218-874-11	s METAL, CHIP 13K 0.5% 1/16W (1608)
R925	1-218-874-11	s METAL, CHIP 13K 0.5% 1/16W (1608)
R926	1-218-733-11	s METAL, CHIP 51K 0.5% 1/16W (1608)
R927	1-218-867-11	s METAL, CHIP 6.8K 0.5% 1/16W (1608)
R928	1-218-702-11	s METAL, CHIP 2.7K 0.5% 1/16W (1608)
R929	1-218-844-11	s METAL, CHIP 750 0.5% 1/16W (1608)
R930	1-216-825-11	s METAL, CHIP 2.2K 5% 1/16W (1608)
R931	1-218-716-11	s METAL, CHIP 10K 0.5% 1/16W (1608)
R932	1-218-679-91	s METAL, CHIP 300 0.5% 1/16W (1608)
R933	1-218-694-11	s METAL, CHIP 1.2K 0.5% 1/16W (1608)
R934	1-218-663-11	s METAL, CHIP 62 0.5% 1/16W (1608)
R935-937	1-218-716-11	s METAL, CHIP 10K 0.5% 1/16W (1608)
R938	1-216-817-11	s METAL, CHIP 470 5% 1/16W (1608)
R939	1-218-692-11	s METAL, CHIP 1.0K 0.5% 1/16W (1608)
R940	1-218-732-11	s METAL, CHIP 47K 0.5% 1/16W (1608)
R941	*5 1-218-717-11	s METAL, CHIP 11K 0.5% 1/16W (1608)
R942	*5 1-218-867-11	s METAL, CHIP 6.8K 0.5% 1/16W (1608)
R943	1-218-874-11	s METAL, CHIP 13K 0.5% 1/16W (1608)
R944	1-218-702-11	s METAL, CHIP 2.7K 0.5% 1/16W (1608)
R945	1-218-844-11	s METAL, CHIP 750 0.5% 1/16W (1608)
R946	1-218-752-11	s METAL, CHIP 330K 0.5% 1/16W (1608)
R948	1-218-702-11	s METAL, CHIP 2.7K 0.5% 1/16W (1608)
R949	1-218-752-11	s METAL, CHIP 330K 0.5% 1/16W (1608)

-----  
 \*3: Board No. suffix 11 or 12  
 \*4: Board No. suffix 12 or higher

-----  
 \*5: Board No. suffix 13 or higher

(EQ-45A BOARD for DVW-A500P, LOT No. 302 through 001)

(EQ-45A BOARD for DVW-A500P, LOT No. 302 through 001)

Ref. No. or Q'ty	Part No.	SP	Description
R950	*5 1-216-837-11	s	METAL, CHIP 22K 5% 1/16W (1608)
R951	*5 1-216-837-11	s	METAL, CHIP 22K 5% 1/16W (1608)
R954	1-216-805-11	s	METAL, CHIP 47 5% 1/16W (1608)
R955	1-218-874-11	s	METAL, CHIP 13K 0.5% 1/16W (1608)
R956	1-218-714-11	s	METAL, CHIP 8.2K 0.5% 1/16W (1608)
R957	1-211-977-11	s	METAL, CHIP 22 0.5% 1/16W (1608)
R958	1-218-714-11	s	METAL, CHIP 8.2K 0.5% 1/16W (1608)
R959	1-216-819-11	s	METAL, CHIP 680 5% 1/16W (1608)
R960	1-216-825-11	s	METAL, CHIP 2.2K 5% 1/16W (1608)
R961	1-216-819-11	s	METAL, CHIP 680 5% 1/16W (1608)
R962	1-216-805-11	s	METAL, CHIP 47 5% 1/16W (1608)
R963	*5 1-216-837-11	s	METAL, CHIP 22K 5% 1/16W (1608)
	*3 1-216-797-11	s	METAL, CHIP 10 5% 1/16W (1608)
R964	1-218-733-11	s	METAL, CHIP 51K 0.5% 1/16W (1608)
R965	*5 1-216-837-11	s	METAL, CHIP 22K 5% 1/16W (1608)
	*3 1-216-797-11	s	METAL, CHIP 10 5% 1/16W (1608)
R966	*5 1-218-697-11	s	METAL, CHIP 1.6K 0.5% 1/16W (1608)
	*3 1-216-797-11	s	METAL, CHIP 10 5% 1/16W (1608)
R967	*5 1-218-716-11	s	METAL, CHIP 10K 0.5% 1/16W (1608)
	*3 1-216-797-11	s	METAL, CHIP 10 5% 1/16W (1608)
R968	1-216-825-11	s	METAL, CHIP 2.2K 5% 1/16W (1608)
R969	1-218-716-11	s	METAL, CHIP 10K 0.5% 1/16W (1608)
R970	1-218-679-91	s	METAL, CHIP 300 0.5% 1/16W (1608)
R971	1-218-694-11	s	METAL, CHIP 1.2K 0.5% 1/16W (1608)
R972	1-218-663-11	s	METAL, CHIP 62 0.5% 1/16W (1608)
R973-975	1-218-716-11	s	METAL, CHIP 10K 0.5% 1/16W (1608)
R976	1-216-817-11	s	METAL, CHIP 470 5% 1/16W (1608)
R977	1-216-805-11	s	METAL, CHIP 47 5% 1/16W (1608)
R978	1-216-805-11	s	METAL, CHIP 47 5% 1/16W (1608)
R979	*5 1-218-716-11	s	METAL, CHIP 10K 0.5% 1/16W (1608)
	*3 1-216-797-11	s	METAL, CHIP 10 5% 1/16W (1608)
R980	*4 1-216-837-11	s	METAL, CHIP 22K 5% 1/16W (1608)
R981	*5 1-218-296-11	s	METAL, CHIP 75K 5% 1/16W (1608)
	*2 1-218-677-11	s	METAL, CHIP 240 0.5% 1/16W (1608)
R982	*5 1-218-716-11	s	METAL, CHIP 10K 0.5% 1/16W (1608)
R983	*5 1-218-716-11	s	METAL, CHIP 10K 0.5% 1/16W (1608)
R984	*5 1-216-837-11	s	METAL, CHIP 22K 5% 1/16W (1608)
R985	1-216-817-11	s	METAL, CHIP 470 5% 1/16W (1608)
R986	1-216-817-11	s	METAL, CHIP 470 5% 1/16W (1608)
R987	*4 1-216-837-11	s	METAL, CHIP 22K 5% 1/16W (1608)
R988	1-216-826-11	s	METAL, CHIP 2.7K 5% 1/16W (1608)
R989	*4 1-218-677-11	s	METAL, CHIP 240 0.5% 1/16W (1608)
R990	*5 1-216-837-11	s	METAL, CHIP 22K 5% 1/16W (1608)
	*3 1-216-797-11	s	METAL, CHIP 10 5% 1/16W (1608)
R991	*5 1-218-677-11	s	METAL, CHIP 240 0.5% 1/16W (1608)
	*3 1-216-797-11	s	METAL, CHIP 10 5% 1/16W (1608)
R992	*3 1-216-797-11	s	METAL, CHIP 10 5% 1/16W (1608)
R993	*3 1-216-797-11	s	METAL, CHIP 10 5% 1/16W (1608)
R994	*3 1-216-797-11	s	METAL, CHIP 10 5% 1/16W (1608)
R995	1-218-732-11	s	METAL, CHIP 47K 0.5% 1/16W (1608)
R996	1-218-732-11	s	METAL, CHIP 47K 0.5% 1/16W (1608)
R997	1-218-864-11	s	METAL, CHIP 5.1K 0.5% 1/16W (1608)
R998	1-218-864-11	s	METAL, CHIP 5.1K 0.5% 1/16W (1608)
R999	*5 1-218-695-11	s	METAL, CHIP 1.3K 0.5% 1/16W (1608)

Ref. No. or Q'ty	Part No.	SP	Description
R1000	*1 1-218-864-11	s	METAL, CHIP 5.1K 0.5% 1/16W (1608)
R1001	*1 1-218-864-11	s	METAL, CHIP 5.1K 0.5% 1/16W (1608)
R1002	*1 1-218-864-11	s	METAL, CHIP 5.1K 0.5% 1/16W (1608)
R1003	*1 1-218-864-11	s	METAL, CHIP 5.1K 0.5% 1/16W (1608)
R8001	*5 1-218-296-11	s	METAL, CHIP 75K 5% 1/16W (1608)
R8002	*5 1-216-841-11	s	METAL, CHIP 47K 5% 1/16W (1608)
R8003	*5 1-216-841-11	s	METAL, CHIP 47K 5% 1/16W (1608)
R9001	*5 1-218-296-11	s	METAL, CHIP 75K 5% 1/16W (1608)
RV401	*4 1-237-031-11	s	RES, ADJ, CERMET 200
RV421	1-237-037-11	s	RES, ADJ, CERMET 20K
RV501	*4 1-237-031-11	s	RES, ADJ, CERMET 200
RV521	1-237-037-11	s	RES, ADJ, CERMET 20K
RV601	*4 1-237-031-11	s	RES, ADJ, CERMET 200
RV621	1-237-037-11	s	RES, ADJ, CERMET 20K
RV701	*4 1-237-031-11	s	RES, ADJ, CERMET 200
RV721	1-237-037-11	s	RES, ADJ, CERMET 20K
RV801	1-237-036-11	s	RES, ADJ, CERMET 10K
RV802	1-237-033-11	s	RES, ADJ, CERMET 1K
RV803	1-237-036-11	s	RES, ADJ, CERMET 10K
RV804	1-237-033-11	s	RES, ADJ, CERMET 1K
RV901	1-237-036-11	s	RES, ADJ, CERMET 10K
RV902	1-237-033-11	s	RES, ADJ, CERMET 1K
RV903	1-237-036-11	s	RES, ADJ, CERMET 10K
RV904	1-237-033-11	s	RES, ADJ, CERMET 1K
RY401	1-515-936-21	s	RELAY TF2SA-5V
RY501	1-515-936-21	s	RELAY TF2SA-5V
RY601	1-515-936-21	s	RELAY TF2SA-5V
RY701	1-515-936-21	s	RELAY TF2SA-5V

-----  
 \*1: Board No. suffix 11 only  
 \*2: Board No. suffix 12 only  
 \*3: Board No. suffix 11 or 12

-----  
 \*4: Board No. suffix 12 or higher  
 \*5: Board No. suffix 13 or higher

-----  
FP-58/58B BOARD  
-----

(FP-58/58B BOARD)

Ref. No. or Q'ty	Part No.	SP Description
1pc	A-8275-077-B	o MOUNTED CIRCUIT BOARD, FP-58
1pc	1-526-950-11	o SOCKET, IC 64P (For IC6)
C1	*3 1-163-033-00	s CERAMIC, CHIP 0.022uF 50V (2125)
C2	*4 1-164-161-11	s CERAMIC, CHIP 2200pF 10% 100V (2125)
	*2 1-102-121-00	s CERAMIC 2200pF 10% 50V
C3	1-163-251-11	s CERAMIC, CHIP 100pF 5% 50V (2125)
C4	1-126-964-11	s ELECT 10uF 20% 50V
C5	1-126-933-11	s ELECT 100uF 20% 16V
C6	1-163-033-00	s CERAMIC, CHIP 0.022uF 50V (2125)
C7	1-163-033-00	s CERAMIC, CHIP 0.022uF 50V (2125)
C8	1-126-933-11	s ELECT 100uF 20% 16V
C9	1-163-033-00	s CERAMIC, CHIP 0.022uF 50V (2125)
C10	1-163-033-00	s CERAMIC, CHIP 0.022uF 50V (2125)
C11	1-163-033-00	s CERAMIC, CHIP 0.022uF 50V (2125)
C12	1-163-033-00	s CERAMIC, CHIP 0.022uF 50V (2125)
C13	1-163-033-00	s CERAMIC, CHIP 0.022uF 50V (2125)
C14	1-163-033-00	s CERAMIC, CHIP 0.022uF 50V (2125)
C15	1-163-017-00	s CERAMIC, CHIP 4700pF 10% 50V (2125)
C16	1-104-553-11	s FILM, CHIP 0.015uF 5% 16V (3216)
C17	1-163-017-00	s CERAMIC, CHIP 4700pF 10% 50V (2125)
C18	1-104-553-11	s FILM, CHIP 0.015uF 5% 16V (3216)
C19	1-126-964-11	s ELECT 10uF 20% 50V
C20	1-163-251-11	s CERAMIC, CHIP 100pF 5% 50V (2125)
C21	1-163-033-00	s CERAMIC, CHIP 0.022uF 50V (2125)
C22	1-163-033-00	s CERAMIC, CHIP 0.022uF 50V (2125)
C23	1-163-033-00	s CERAMIC, CHIP 0.022uF 50V (2125)
C24	1-126-964-11	s ELECT 10uF 20% 50V
C25	1-126-964-11	s ELECT 10uF 20% 50V
C26	1-126-964-11	s ELECT 10uF 20% 50V
C27	1-163-033-00	s CERAMIC, CHIP 0.022uF 50V (2125)
C28-40	1-163-251-11	s CERAMIC, CHIP 100pF 5% 50V (2125)
C41-48	1-163-033-00	s CERAMIC, CHIP 0.022uF 50V (2125)
C49	1-163-137-00	s CERAMIC, CHIP 680pF 5% 50V (2125)
C50	1-163-137-00	s CERAMIC, CHIP 680pF 5% 50V (2125)
C51	*4 1-164-161-11	s CERAMIC, CHIP 2200pF 10% 100V (2125)
	*2 1-102-121-00	s CERAMIC 2200pF 10% 50V
CN500	1-750-878-11	s CONNECTOR, FLAT CABLE 40P, MALE
CN501	1-565-845-11	o CONNECTOR, 26P, MALE
CN502	1-751-359-12	s CABLE, FLAT 34P (FRONT SW1)
CN503	1-568-098-11	o CONNECTOR, HINGE 30P, MALE
CN505	1-506-475-11	o CONNECTOR, 10P, MALE
FB10	*1 1-412-694-11	s INDUCTOR, BEED
FB11	*1 1-412-694-11	s INDUCTOR, BEED
FB12	*1 1-412-694-11	s INDUCTOR, BEED
IC1	8-759-175-93	s IC CXD8814Q
IC2	8-759-170-73	s IC TA78L12S
IC3	8-759-995-03	s IC LT1021DCS8-5
IC4	8-759-175-74	s IC M62301FP
IC5	8-759-175-74	s IC M62301FP
IC6	8-759-289-32	s IC UPD78218ACW-671
IC7	8-759-908-92	s IC TL084CNS
IC8	8-759-908-92	s IC TL084CNS
IC9	8-759-908-92	s IC TL084CNS
IC10	8-759-908-92	s IC TL084CNS

Ref. No. or Q'ty	Part No.	SP Description
IC11	*2 8-759-673-00	s IC MM74HC175SJX
L1	1-412-533-21	s INDUCTOR 47uH
L2	1-412-533-21	s INDUCTOR 47uH
L3	1-412-533-21	s INDUCTOR 47uH
Q1	8-729-140-63	s TRANSISTOR 2SA1611-M5M6
R1	1-216-025-00	s METAL, CHIP 100 5% 1/10W (2125)
R2	*4 1-216-017-00	s METAL, CHIP 47 5% 1/10W (2125)
R3	1-216-073-00	s METAL, CHIP 10K 5% 1/10W (2125)
R4	1-216-073-00	s METAL, CHIP 10K 5% 1/10W (2125)
R5	1-216-679-11	s METAL, CHIP 15K 0.5% 1/10W (2125)
R6	1-216-679-11	s METAL, CHIP 15K 0.5% 1/10W (2125)
R7	1-216-675-11	s METAL, CHIP 10K 0.5% 1/10W (2125)
R8	1-216-073-00	s METAL, CHIP 10K 5% 1/10W (2125)
R9	1-216-025-00	s METAL, CHIP 100 5% 1/10W (2125)
R10	1-216-025-00	s METAL, CHIP 100 5% 1/10W (2125)
R11	1-216-025-00	s METAL, CHIP 100 5% 1/10W (2125)
R12	1-216-025-00	s METAL, CHIP 100 5% 1/10W (2125)
R13	1-216-025-00	s METAL, CHIP 100 5% 1/10W (2125)
R14	1-216-025-00	s METAL, CHIP 100 5% 1/10W (2125)
R15	1-216-069-00	s METAL, CHIP 6.8K 5% 1/10W (2125)
R16	1-218-780-11	s METAL, CHIP 270 5% 1/4W (3225)
R17	1-216-675-11	s METAL, CHIP 10K 0.5% 1/10W (2125)
R18	1-216-025-00	s METAL, CHIP 100 5% 1/10W (2125)
R19	1-216-025-00	s METAL, CHIP 100 5% 1/10W (2125)
R20	1-216-073-00	s METAL, CHIP 10K 5% 1/10W (2125)
R21	1-216-073-00	s METAL, CHIP 10K 5% 1/10W (2125)
R22-29	1-216-025-00	s METAL, CHIP 100 5% 1/10W (2125)
R30-41	1-216-675-11	s METAL, CHIP 10K 0.5% 1/10W (2125)
R42	1-216-073-00	s METAL, CHIP 10K 5% 1/10W (2125)
R43	*4 1-216-017-00	s METAL, CHIP 47 5% 1/10W (2125)
R44	*4 1-216-073-00	s METAL, CHIP 10K 5% 1/10W (2125)
	*2 1-249-429-11	s CARBON 10K 5% 1/4W
R45	*4 1-216-073-00	s METAL, CHIP 10K 5% 1/10W (2125)
	*2 1-249-429-11	s CARBON 10K 5% 1/4W
R46	1-216-025-00	s METAL, CHIP 100 5% 1/10W (2125)
R47	1-216-025-00	s METAL, CHIP 100 5% 1/10W (2125)
R48	1-216-025-00	s METAL, CHIP 100 5% 1/10W (2125)
R49	1-216-025-00	s METAL, CHIP 100 5% 1/10W (2125)
R50	1-216-025-00	s METAL, CHIP 100 5% 1/10W (2125)
R51-59	1-216-097-00	s METAL, CHIP 100K 5% 1/10W (2125)
RV1	1-241-759-11	s RES, ADJ, CERMET 220
RV2	1-241-759-11	s RES, ADJ, CERMET 220
RV3	1-241-759-11	s RES, ADJ, CERMET 220
RV4	1-241-759-11	s RES, ADJ, CERMET 220
RV5	1-241-759-11	s RES, ADJ, CERMET 220
RV6	1-241-759-11	s RES, ADJ, CERMET 220
RV7	1-241-759-11	s RES, ADJ, CERMET 220
X1	1-579-929-11	s RESONATOR, CERAMIC 9.83 MHZ

-----  
\*1: Some mounted circuit boards of LOT No. 306  
\*2: LOT No. 302 through 402  
\*3: LOT No. 307 or higher  
\*4: LOT No. 403 or higher

-----  
 HN-181 BOARD  
 -----

Ref. No. or Q'ty	Part No.	SP	Description
1pc	A-8276-620-B	o	MOUNTED CIRCUIT BOARD, HN-181
2pcs	3-180-854-02	o	COVER, MR SENSOR
C201	1-164-096-11	s	CERAMIC 0.01uF 50V
CN201	1-506-475-11	s	CONNECTOR, 10P, MALE
CN202	1-564-007-11	o	CONNECTOR, 8P, MALE
CN203	1-750-927-11	s	CONNECTOR, B-B 20P, FEMALE
CN204	1-564-214-11	o	CONNECTOR, VH 3P, MALE
CN203	1-564-005-11	o	CONNECTOR, 6P, MALE
CN206	1-750-927-11	s	CONNECTOR, B-B 20P, FEMALE
CN207	1-750-927-11	s	CONNECTOR, B-B 20P, FEMALE
CN208	1-564-009-11	o	CONNECTOR, 10P, MALE
CN209	1-506-472-11	s	CONNECTOR, 7P, MALE
CN211	1-564-002-11	s	CONNECTOR, 3P, MALE
CN212	1-564-242-00	o	CONNECTOR, VH 5P, MALE
CN213	1-506-480-11	s	CONNECTOR, 15P, MALE
CN214	1-750-683-11	s	CONNECTOR, FPC 36P
CN214	1-750-683-11	s	CONNECTOR, FPC 36P
CN216	1-566-764-11	o	CONNECTOR, ZR 9P, MALE
CN217	1-506-468-11	s	CONNECTOR, 3P, MALE
CN218	1-506-469-11	s	CONNECTOR, 4P, MALE
CN219 *2	1-506-702-11	o	CONNECTOR, ILG 3P, MALE
D202	8-719-938-07	s	LED GL480, INFRARED
D204	8-719-938-07	s	LED GL480, INFRARED
Q202	8-729-903-81	s	PHOTO-TRANSISTOR PT480
Q204	8-729-903-81	s	PHOTO-TRANSISTOR PT480
R202	1-249-409-11	s	CARBON 220 5% 1/4W
R204	1-249-409-11	s	CARBON 220 5% 1/4W

-----  
 HN-184 BOARD  
 -----

Ref. No. or Q'ty	Part No.	SP	Description
1pc	A-8276-621-A	o	MOUNTED CIRCUIT BOARD, HN-184
CN203	1-750-928-11	s	CONNECTOR, B-B 20P, MALE
CN231	1-506-472-11	s	CONNECTOR, 7P, MALE
CN232	1-564-001-11	o	CONNECTOR, 2P, MALE
CN233	1-564-002-11	s	CONNECTOR, 3P, MALE
CN234	1-564-005-11	o	CONNECTOR, 6P, MALE
CN235	1-506-468-11	s	CONNECTOR, 3P, MALE
R231	1-249-409-11	s	CARBON 220 5% 1/4W
R232 *0A	1-216-396-11	s	METAL 3.9 5% 3W

-----  
 \*2: Board No. suffix 13 or higher

-----  
 \*0: LOT No. 307 or higher

-----  
 HN-185 BOARD  
 -----

Ref. No. or Q'ty	Part No.	SP Description
1pc	A-8276-623-B	o MOUNTED CIRCUIT BOARD, HN-185
1pc	3-180-819-02	o BRACKET, DEW SENSOR
2pcs	3-531-576-21	s RIVET, NYLON
1pc	7-621-772-00	s SCREW +B 2x3
C241	1-164-083-11	s CERAMIC 680pF 10% 50V
C242	1-164-083-11	s CERAMIC 680pF 10% 50V
C243	1-124-455-00	s ELECT 100uF 20% 16V
C244	1-124-455-00	s ELECT 100uF 20% 16V
C245	1-164-097-11	s CERAMIC 0.022uF 50V
C246	1-124-455-00	s ELECT 100uF 20% 16V
C247	1-124-455-00	s ELECT 100uF 20% 16V
C248	1-164-097-11	s CERAMIC 0.022uF 50V
C250	*2 1-161-772-11	s CERAMIC 0.1uF 10% 25V
C251	*2 1-126-160-11	s ELECT 1.0uF 20% 50V
CN206	1-750-928-11	s CONNECTOR, B-B 20P, MALE
CN207	1-750-928-11	s CONNECTOR, B-B 20P, MALE
CN241	1-750-669-11	s CONNECTOR, FPC 13P
CN242	1-564-011-11	o CONNECTOR, 12P, MALE
CN243	1-564-001-11	o CONNECTOR, 2P, MALE
DS241	*2 1-810-657-11	s SENSOR, CONDENSATION
IC241	*1 1-808-506-12	s SENSOR, CONDENSATION
L241	1-412-533-21	s INDUCTOR 47uH
L242	1-412-533-21	s INDUCTOR 47uH
R241	1-249-428-11	s CARBON 8.2K 5% 1/4W
R242	1-249-428-11	s CARBON 8.2K 5% 1/4W
R243	1-249-441-11	s CARBON 100K 5% 1/4W
R244	1-249-441-11	s CARBON 100K 5% 1/4W
R245	1-249-428-11	s CARBON 8.2K 5% 1/4W
R250	*2 1-247-903-00	s CARBON 1.0M 5% 1/4W
R251	*2 1-247-855-31	s CARBON 10K 5% 1/4W
R252	*2 1-249-426-11	s CARBON 5.6K 5% 1/4W
R253	*2 1-249-413-11	s CARBON 470 5% 1/4W
R254	*2 1-247-823-31	s CARBON 15K 5% 1/4W
R255	*2 1-249-419-11	s CARBON 1.5K 5% 1/4W
R256	*2 1-249-424-11	s CARBON 3.9K 5% 1/4W
R257	*2 1-247-903-00	s CARBON 1.0M 5% 1/4W
R258	*2 1-249-419-11	s CARBON 1.5K 5% 1/4W
R259	*2 1-249-431-11	s CARBON 15K 5% 1/4W

-----  
 KY-231 BOARD  
 -----

Ref. No. or Q'ty	Part No.	SP Description
1pc	A-8275-067-A	o MOUNTED CIRCUIT BOARD, KY-231 (This assembly includes the DP-176 mounted circuit board.)
15pcs	3-668-124-00	o HOLDER, LED
3pcs	3-704-198-11	o SUPPORT, PC
C1-32	1-126-795-11	s ELECT 10uF 20% 50V
C301	1-163-037-11	s CERAMIC, CHIP 0.022uF 10% 25V (2125)
C302	1-163-037-11	s CERAMIC, CHIP 0.022uF 10% 25V (2125)
C303	1-126-795-11	s ELECT 10uF 20% 50V
C304	1-126-795-11	s ELECT 10uF 20% 50V
C305	1-124-455-00	s ELECT 100uF 20% 16V
C306	1-163-037-11	s CERAMIC, CHIP 0.022uF 10% 25V (2125)
C309-312	1-163-257-11	s CERAMIC, CHIP 180pF 5% 50V (2125)
C313	1-126-795-11	s ELECT 10uF 20% 50V
C314	1-163-243-11	s CERAMIC, CHIP 47pF 5% 50V (2125)
C315	1-163-037-11	s CERAMIC, CHIP 0.022uF 10% 25V (2125)
C316	1-163-037-11	s CERAMIC, CHIP 0.022uF 10% 25V (2125)
C317	1-124-455-00	s ELECT 100uF 20% 16V
C318	1-124-455-00	s ELECT 100uF 20% 16V
CN590	1-751-356-11	s CABLE, FLAT 16P (KEY CONT)
CN591	1-537-565-12	o WIRE, JUMPER (HIGH WINDING) 23P
CN592	1-506-489-11	s CONNECTOR, 10P, MALE
D1,2	6-500-689-01	s DIODE TLGU13DP
D3	8-719-939-39	s LED GL5HD8, RED
D4,5	6-500-689-01	s DIODE TLGU13DP
D6	8-719-939-39	s LED GL5HD8, RED
D7	6-500-689-01	s DIODE TLGU13DP
D8	8-719-939-39	s LED GL5HD8, RED
D9-15	6-500-689-01	s DIODE TLGU13DP
D16-18	8-719-041-80	s LED TLG255A, GRN
D201-222	8-719-024-81	s DIODE 1SS300
D301	8-719-024-81	s DIODE 1SS300
IC1	8-759-250-09	s IC UPD78212CW-618
IC2	8-759-052-52	s IC L78M05T-FA
IC3	8-759-500-43	s IC CXD8117P
IC4	8-759-479-32	s IC SN75C1168NS (E05)
IC5	8-759-586-01	s IC TD62003P (J, S)
IC6	8-759-586-01	s IC TD62003P (J, S)
IC8	8-759-175-95	s IC CXD8812Q
IC9	8-759-600-34	s IC M54532P
Q1	8-729-900-51	s TRANSISTOR DTA114TK
Q2	8-729-117-32	s TRANSISTOR 2SC4177-L6
Q3	8-729-900-51	s TRANSISTOR DTA114TK
Q4	8-729-117-32	s TRANSISTOR 2SC4177-L6
Q5	8-729-900-51	s TRANSISTOR DTA114TK
Q6	8-729-117-32	s TRANSISTOR 2SC4177-L6
Q7	8-729-900-51	s TRANSISTOR DTA114TK
Q8	8-729-117-32	s TRANSISTOR 2SC4177-L6
Q9	8-729-900-51	s TRANSISTOR DTA114TK
Q10	8-729-117-32	s TRANSISTOR 2SC4177-L6
Q11	8-729-900-51	s TRANSISTOR DTA114TK
Q12	8-729-117-32	s TRANSISTOR 2SC4177-L6
Q13	8-729-900-51	s TRANSISTOR DTA114TK
Q14	8-729-117-32	s TRANSISTOR 2SC4177-L6
Q15	8-729-900-51	s TRANSISTOR DTA114TK

-----  
 \*1: LOT No. 302 through 402  
 \*2: LOT No. 403 or higher

(KY-231 BOARD)

Ref. No. or Q'ty	Part No.	SP	Description
Q16	8-729-117-32	s	TRANSISTOR 2SC4177-L6
Q17	8-729-900-51	s	TRANSISTOR DTA114TK
Q18	8-729-117-32	s	TRANSISTOR 2SC4177-L6
Q19	8-729-900-51	s	TRANSISTOR DTA114TK
Q20	8-729-117-32	s	TRANSISTOR 2SC4177-L6
Q21	8-729-900-51	s	TRANSISTOR DTA114TK
Q22	8-729-117-32	s	TRANSISTOR 2SC4177-L6
Q23	8-729-900-51	s	TRANSISTOR DTA114TK
Q24	8-729-117-32	s	TRANSISTOR 2SC4177-L6
Q25	8-729-900-51	s	TRANSISTOR DTA114TK
Q26	8-729-117-32	s	TRANSISTOR 2SC4177-L6
Q27	8-729-900-51	s	TRANSISTOR DTA114TK
Q28	8-729-117-32	s	TRANSISTOR 2SC4177-L6
Q29	8-729-900-51	s	TRANSISTOR DTA114TK
Q30	8-729-117-32	s	TRANSISTOR 2SC4177-L6
Q31	8-729-900-51	s	TRANSISTOR DTA114TK
Q32	8-729-117-32	s	TRANSISTOR 2SC4177-L6
Q33	8-729-900-51	s	TRANSISTOR DTA114TK
Q34	8-729-117-32	s	TRANSISTOR 2SC4177-L6
Q35	8-729-900-51	s	TRANSISTOR DTA114TK
Q36	8-729-117-32	s	TRANSISTOR 2SC4177-L6
Q37	8-729-900-51	s	TRANSISTOR DTA114TK
Q38	8-729-117-32	s	TRANSISTOR 2SC4177-L6
Q39	8-729-900-51	s	TRANSISTOR DTA114TK
Q40	8-729-117-32	s	TRANSISTOR 2SC4177-L6
Q41	8-729-900-51	s	TRANSISTOR DTA114TK
Q42	8-729-117-32	s	TRANSISTOR 2SC4177-L6
Q43	8-729-900-51	s	TRANSISTOR DTA114TK
Q44	8-729-117-32	s	TRANSISTOR 2SC4177-L6
Q45	8-729-900-51	s	TRANSISTOR DTA114TK
Q46	8-729-117-32	s	TRANSISTOR 2SC4177-L6
Q47	8-729-900-51	s	TRANSISTOR DTA114TK
Q48	8-729-117-32	s	TRANSISTOR 2SC4177-L6
Q49	8-729-900-51	s	TRANSISTOR DTA114TK
Q50	8-729-117-32	s	TRANSISTOR 2SC4177-L6
Q51	8-729-900-51	s	TRANSISTOR DTA114TK
Q52	8-729-117-32	s	TRANSISTOR 2SC4177-L6
Q53	8-729-900-51	s	TRANSISTOR DTA114TK
Q54	8-729-117-32	s	TRANSISTOR 2SC4177-L6
Q55	8-729-900-51	s	TRANSISTOR DTA114TK
Q56	8-729-117-32	s	TRANSISTOR 2SC4177-L6
Q57	8-729-900-51	s	TRANSISTOR DTA114TK
Q58	8-729-117-32	s	TRANSISTOR 2SC4177-L6
Q59	8-729-900-51	s	TRANSISTOR DTA114TK
Q60	8-729-117-32	s	TRANSISTOR 2SC4177-L6
Q61	8-729-900-51	s	TRANSISTOR DTA114TK
Q62	8-729-117-32	s	TRANSISTOR 2SC4177-L6
Q63	8-729-900-51	s	TRANSISTOR DTA114TK
Q64	8-729-117-32	s	TRANSISTOR 2SC4177-L6
Q65-72	8-729-924-56	s	TRANSISTOR DTC123JU
Q73-80	8-729-140-63	s	TRANSISTOR 2SA1611-M5M6
Q151-157	8-729-924-56	s	TRANSISTOR DTC123JU
Q158-164	8-729-140-63	s	TRANSISTOR 2SA1611-M5M6
Q201-206	8-729-923-62	s	TRANSISTOR DTA123JK
Q301,302	8-729-117-32	s	TRANSISTOR 2SC4177-L6
R1,2	1-216-057-00	s	METAL, CHIP 2.2K 5% 1/10W (2125)

(KY-231 BOARD)

Ref. No. or Q'ty	Part No.	SP	Description
R3	*5 1-218-780-11	s	METAL, CHIP 270 5% 1/4W (3225)
	*3 1-216-027-00	s	METAL, CHIP 120 5% 1/10W (2125)
R4,5	1-216-057-00	s	METAL, CHIP 2.2K 5% 1/10W (2125)
R6	*5 1-218-780-11	s	METAL, CHIP 270 5% 1/4W (3225)
	*3 1-216-027-00	s	METAL, CHIP 120 5% 1/10W (2125)
R7,8	1-216-057-00	s	METAL, CHIP 2.2K 5% 1/10W (2125)
R9	*5 1-218-478-11	s	METAL, CHIP 330 5% 1/4W (3225)
	*3 1-216-027-00	s	METAL, CHIP 120 5% 1/10W (2125)
R10,11	1-216-057-00	s	METAL, CHIP 2.2K 5% 1/10W (2125)
R12	*5 1-218-478-11	s	METAL, CHIP 330 5% 1/4W (3225)
	*3 1-216-027-00	s	METAL, CHIP 120 5% 1/10W (2125)
R13,14	1-216-057-00	s	METAL, CHIP 2.2K 5% 1/10W (2125)
R15	*5 1-218-478-11	s	METAL, CHIP 330 5% 1/4W (3225)
	*3 1-216-027-00	s	METAL, CHIP 120 5% 1/10W (2125)
R16,17	1-216-057-00	s	METAL, CHIP 2.2K 5% 1/10W (2125)
R18	1-218-780-11	s	METAL, CHIP 270 5% 1/4W (3225)
R19,20	1-216-057-00	s	METAL, CHIP 2.2K 5% 1/10W (2125)
R21	*5 1-218-478-11	s	METAL, CHIP 330 5% 1/4W (3225)
	*3 1-216-027-00	s	METAL, CHIP 120 5% 1/10W (2125)
R22,23	1-216-057-00	s	METAL, CHIP 2.2K 5% 1/10W (2125)
R24	*5 1-218-780-11	s	METAL, CHIP 270 5% 1/4W (3225)
	*3 1-218-477-11	s	METAL, CHIP 220 5% 1/4W (3225)
R25,26	1-216-057-00	s	METAL, CHIP 2.2K 5% 1/10W (2125)
R27	*5 1-218-478-11	s	METAL, CHIP 330 5% 1/4W (3225)
	*3 1-216-027-00	s	METAL, CHIP 120 5% 1/10W (2125)
R28,29	1-216-057-00	s	METAL, CHIP 2.2K 5% 1/10W (2125)
R30	*5 1-220-260-11	s	METAL, CHIP 390 5% 1/4W (3225)
	*3 1-218-476-11	s	METAL, CHIP 180 5% 1/4W (3225)
R31,32	1-216-057-00	s	METAL, CHIP 2.2K 5% 1/10W (2125)
R33	*5 1-220-260-11	s	METAL, CHIP 390 5% 1/4W (3225)
	*3 1-218-476-11	s	METAL, CHIP 180 5% 1/4W (3225)
R34,35	1-216-057-00	s	METAL, CHIP 2.2K 5% 1/10W (2125)
R36	*5 1-220-260-11	s	METAL, CHIP 390 5% 1/4W (3225)
	*3 1-218-476-11	s	METAL, CHIP 180 5% 1/4W (3225)
R37,38	1-216-057-00	s	METAL, CHIP 2.2K 5% 1/10W (2125)
R39	*5 1-218-478-11	s	METAL, CHIP 330 5% 1/4W (3225)
	*3 1-216-027-00	s	METAL, CHIP 120 5% 1/10W (2125)
R40,41	1-216-057-00	s	METAL, CHIP 2.2K 5% 1/10W (2125)
R42	*5 1-218-478-11	s	METAL, CHIP 330 5% 1/4W (3225)
	*3 1-216-027-00	s	METAL, CHIP 120 5% 1/10W (2125)
R43,44	1-216-057-00	s	METAL, CHIP 2.2K 5% 1/10W (2125)
R45	*5 1-218-780-11	s	METAL, CHIP 270 5% 1/4W (3225)
	*3 1-218-477-11	s	METAL, CHIP 220 5% 1/4W (3225)
R46,47	1-216-057-00	s	METAL, CHIP 2.2K 5% 1/10W (2125)
R48	*5 1-218-478-11	s	METAL, CHIP 330 5% 1/4W (3225)
	*3 1-216-027-00	s	METAL, CHIP 120 5% 1/10W (2125)
R49,50	1-216-057-00	s	METAL, CHIP 2.2K 5% 1/10W (2125)
R51	*5 1-220-260-11	s	METAL, CHIP 390 5% 1/4W (3225)
	*3 1-218-476-11	s	METAL, CHIP 180 5% 1/4W (3225)
R52,53	1-216-057-00	s	METAL, CHIP 2.2K 5% 1/10W (2125)
R54	*5 1-220-260-11	s	METAL, CHIP 390 5% 1/4W (3225)
	*3 1-218-476-11	s	METAL, CHIP 180 5% 1/4W (3225)

-----  
 \*3: Board No. suffix 11 or 12  
 \*5: Board No. suffix 13 or higher

(KY-231 BOARD)

Ref. No. or Q'ty	Part No.	SP	Description
R55,56	1-216-057-00	s	METAL, CHIP 2.2K 5% 1/10W (2125)
R57	*5 1-220-260-11	s	METAL, CHIP 390 5% 1/4W (3225)
	*3 1-218-476-11	s	METAL, CHIP 180 5% 1/4W (3225)
R58,59	1-216-057-00	s	METAL, CHIP 2.2K 5% 1/10W (2125)
R60	*5 1-220-260-11	s	METAL, CHIP 390 5% 1/4W (3225)
	*3 1-218-476-11	s	METAL, CHIP 180 5% 1/4W (3225)
R61,62	1-216-057-00	s	METAL, CHIP 2.2K 5% 1/10W (2125)
R63	*5 1-220-260-11	s	METAL, CHIP 390 5% 1/4W (3225)
	*3 1-218-476-11	s	METAL, CHIP 180 5% 1/4W (3225)
R64,65	1-216-057-00	s	METAL, CHIP 2.2K 5% 1/10W (2125)
R66	*5 1-220-260-11	s	METAL, CHIP 390 5% 1/4W (3225)
	*3 1-218-476-11	s	METAL, CHIP 180 5% 1/4W (3225)
R67,68	1-216-057-00	s	METAL, CHIP 2.2K 5% 1/10W (2125)
R69	*5 1-220-260-11	s	METAL, CHIP 390 5% 1/4W (3225)
	*3 1-218-476-11	s	METAL, CHIP 180 5% 1/4W (3225)
R70,71	1-216-057-00	s	METAL, CHIP 2.2K 5% 1/10W (2125)
R72	*5 1-220-260-11	s	METAL, CHIP 390 5% 1/4W (3225)
	*3 1-218-476-11	s	METAL, CHIP 180 5% 1/4W (3225)
R73,74	1-216-057-00	s	METAL, CHIP 2.2K 5% 1/10W (2125)
R75	*5 1-220-260-11	s	METAL, CHIP 390 5% 1/4W (3225)
	*3 1-218-476-11	s	METAL, CHIP 180 5% 1/4W (3225)
R76,77	1-216-057-00	s	METAL, CHIP 2.2K 5% 1/10W (2125)
R78	*5 1-220-260-11	s	METAL, CHIP 390 5% 1/4W (3225)
	*3 1-218-476-11	s	METAL, CHIP 180 5% 1/4W (3225)
R79,80	1-216-057-00	s	METAL, CHIP 2.2K 5% 1/10W (2125)
R81	*5 1-220-260-11	s	METAL, CHIP 390 5% 1/4W (3225)
	*3 1-218-476-11	s	METAL, CHIP 180 5% 1/4W (3225)
R82,83	1-216-057-00	s	METAL, CHIP 2.2K 5% 1/10W (2125)
R84	*5 1-220-260-11	s	METAL, CHIP 390 5% 1/4W (3225)
	*3 1-218-476-11	s	METAL, CHIP 180 5% 1/4W (3225)
R85,86	1-216-057-00	s	METAL, CHIP 2.2K 5% 1/10W (2125)
R87	*5 1-220-260-11	s	METAL, CHIP 390 5% 1/4W (3225)
	*3 1-218-476-11	s	METAL, CHIP 180 5% 1/4W (3225)
R88,89	1-216-057-00	s	METAL, CHIP 2.2K 5% 1/10W (2125)
R90	*5 1-220-260-11	s	METAL, CHIP 390 5% 1/4W (3225)
	*3 1-218-476-11	s	METAL, CHIP 180 5% 1/4W (3225)
R91,92	1-216-057-00	s	METAL, CHIP 2.2K 5% 1/10W (2125)
R93	*5 1-220-260-11	s	METAL, CHIP 390 5% 1/4W (3225)
	*3 1-218-476-11	s	METAL, CHIP 180 5% 1/4W (3225)
R94,95	1-216-057-00	s	METAL, CHIP 2.2K 5% 1/10W (2125)
R96	*5 1-220-260-11	s	METAL, CHIP 390 5% 1/4W (3225)
	*3 1-218-476-11	s	METAL, CHIP 180 5% 1/4W (3225)
R97-118	1-216-057-00	s	METAL, CHIP 2.2K 5% 1/10W (2125)
R119-131	1-216-027-00	s	METAL, CHIP 120 5% 1/10W (2125)
R151-164	1-216-049-00	s	METAL, CHIP 1.0K 5% 1/10W (2125)
R165-171	1-220-259-11	s	METAL, CHIP 150 5% 1/4W (3225)
R172	1-216-027-00	s	METAL, CHIP 120 5% 1/10W (2125)
R173-175	1-216-019-00	s	METAL, CHIP 56 5% 1/10W (2125)
R201-208	1-216-073-00	s	METAL, CHIP 10K 5% 1/10W (2125)
R302-304	1-216-073-00	s	METAL, CHIP 10K 5% 1/10W (2125)
R305-309	1-216-049-00	s	METAL, CHIP 1.0K 5% 1/10W (2125)
R310-314	1-216-073-00	s	METAL, CHIP 10K 5% 1/10W (2125)

-----  
 \*1: Board No. suffix 11 only  
 \*3: Board No. suffix 11 or 12

(KY-231 BOARD)

Ref. No. or Q'ty	Part No.	SP	Description
R315	1-216-085-00	s	METAL, CHIP 33K 5% 1/10W (2125)
R316	1-216-069-00	s	METAL, CHIP 6.8K 5% 1/10W (2125)
R317	1-216-073-00	s	METAL, CHIP 10K 5% 1/10W (2125)
R318	1-216-049-00	s	METAL, CHIP 1.0K 5% 1/10W (2125)
R319	1-216-067-00	s	METAL, CHIP 5.6K 5% 1/10W (2125)
R320	1-216-049-00	s	METAL, CHIP 1.0K 5% 1/10W (2125)
R321	1-216-017-00	s	METAL, CHIP 47 5% 1/10W (2125)
R322	1-216-049-00	s	METAL, CHIP 1.0K 5% 1/10W (2125)
R323	1-216-073-00	s	METAL, CHIP 10K 5% 1/10W (2125)
R324	1-216-073-00	s	METAL, CHIP 10K 5% 1/10W (2125)
R325	1-216-025-00	s	METAL, CHIP 100 5% 1/10W (2125)
R326	1-216-077-00	s	METAL, CHIP 15K 5% 1/10W (2125)
R327	1-216-077-00	s	METAL, CHIP 15K 5% 1/10W (2125)
R328	1-216-097-00	s	METAL, CHIP 100K 5% 1/10W (2125)
R329	1-216-097-00	s	METAL, CHIP 100K 5% 1/10W (2125)
R331	*4 1-216-073-00	s	METAL, CHIP 10K 5% 1/10W (2125)
	*1 1-249-429-11	s	CARBON 10K 5% 1/4W
R332	*4 1-216-073-00	s	METAL, CHIP 10K 5% 1/10W (2125)
	*1 1-249-429-11	s	CARBON 10K 5% 1/4W
R333	*4 1-216-073-00	s	METAL, CHIP 10K 5% 1/10W (2125)
S1	*5 1-692-892-11	s	SWITCH, PUSH (WITH LED)
	*3 1-692-609-11	s	SWITCH, PUSH (WITH LED)
S2	*5 1-692-892-21	s	SWITCH, PUSH (WITH LED)
	*3 1-692-609-21	s	SWITCH, PUSH (WITH LED)
S3	*5 1-692-890-41	s	SWITCH, PUSH (WITH LED)
	*3 1-692-612-41	s	SWITCH, PUSH (WITH LED)
S4	*5 1-692-890-31	s	SWITCH, PUSH (WITH LED)
	*3 1-692-612-31	s	SWITCH, PUSH (WITH LED)
S5	*5 1-692-890-21	s	SWITCH, PUSH (WITH LED)
	*3 1-692-612-21	s	SWITCH, PUSH (WITH LED)
S6	*5 1-692-890-11	s	SWITCH, PUSH (WITH LED)
	*3 1-692-612-11	s	SWITCH, PUSH (WITH LED)
S7	*5 1-692-891-21	s	SWITCH, PUSH (WITH LED)
	*3 1-692-611-21	s	SWITCH, PUSH (WITH LED)
S8	*5 1-692-890-11	s	SWITCH, PUSH (WITH LED)
	*3 1-692-612-11	s	SWITCH, PUSH (WITH LED)
S9-11	*5 1-692-994-11	s	SWITCH, PUSH (WITH LED)
	*3 1-692-637-11	s	SWITCH, PUSH (WITH LED)
S12,13	*5 1-692-890-11	s	SWITCH, PUSH (WITH LED)
	*3 1-692-612-11	s	SWITCH, PUSH (WITH LED)
S14	*5 1-692-891-11	s	SWITCH, PUSH (WITH LED)
	*3 1-692-611-11	s	SWITCH, PUSH (WITH LED)
S15	*5 1-692-890-11	s	SWITCH, PUSH (WITH LED)
	*3 1-692-612-11	s	SWITCH, PUSH (WITH LED)
S16-31	*5 1-692-994-11	s	SWITCH, PUSH (WITH LED)
	*3 1-692-637-11	s	SWITCH, PUSH (WITH LED)
S201-212	1-692-538-11	s	SWITCH, PUSH

-----  
 \*4: Board No. suffix 12 or higher  
 \*5: Board No. suffix 13 or higher



(KY-231 BOARD)

Ref. No.  
or Q'ty Part No. SP Description  
X301 1-579-929-11 s RESONATOR, CERAMIC 9.83 MHz

-----  
LP-81 BOARD  
-----

Ref. No.  
or Q'ty Part No. SP Description  
1pc A-8315-623-C s MOUNTED CIRCUIT BOARD, LP-81  
1pc 3-171-508-13 s HOLDER, LAMP  
CN932 1-564-001-11 o CONNECTOR, 2P, MALE  
D1-10 6-500-676-01 s DIODE TLYE263AP(NP)  
R1-5 1-249-420-11 s RES,CARBON 1.8K 1/4W SMALL

-----  
MB-441 BOARD  
-----

Ref. No.  
or Q'ty Part No. SP Description  
1pc A-8276-622-A o MOUNTED CIRCUIT BOARD, MB-441A  
(For DVW-A500P)  
A-8276-657-A o MOUNTED CIRCUIT BOARD, MB-441  
(For DVW-500P)

10pcs 7-682-648-09 s SCREW +PS 3x8  
42pcs 7-685-865-01 s SCREW +BVTT 2.6x12 (S)  
(For DVW-A500P)

34pcs 7-685-865-01 s SCREW +BVTT 2.6x12 (S)  
(For DVW-500P)

C100 1-126-940-11 s ELECT 330uF 20% 25V

C101 1-126-948-11 s ELECT 100uF 20% 35V

C102 1-126-948-11 s ELECT 100uF 20% 35V

CN100 1-750-831-11 s CONNECTOR, PHEC 120P, FEMALE

CN101 \*A 1-750-831-11 s CONNECTOR, PHEC 120P, FEMALE

CN102 \*A 1-750-831-11 s CONNECTOR, PHEC 120P, FEMALE

CN103 \*A 1-750-831-11 s CONNECTOR, PHEC 120P, FEMALE

CN104 \*A 1-750-831-11 s CONNECTOR, PHEC 120P, FEMALE

CN105 1-750-831-11 s CONNECTOR, PHEC 120P, FEMALE

CN106 1-750-831-11 s CONNECTOR, PHEC 120P, FEMALE

CN110 1-573-598-11 s CONNECTOR, PHEC 100P, FEMALE

CN112-124

1-573-598-11 s CONNECTOR, PHEC 100P, FEMALE

CN130 1-563-772-11 s CONNECTOR, D-SUB 25P, FEMALE

CN131 1-764-102-11 s CONNECTOR, D-SUB 15P, MALE

CN132 1-563-770-11 s CONNECTOR, D-SUB 9P, FEMALE

CN133 1-563-770-11 s CONNECTOR, D-SUB 9P, FEMALE

CN134 1-563-771-11 s CONNECTOR, D-SUB 15P, FEMALE

CN135 1-506-493-11 s CONNECTOR, 14P, MALE

CN136 1-506-487-11 s CONNECTOR, 8P, MALE

CN137 1-751-358-11 s CABLE, FLAT 34P (AES/EBU)

CN138 1-506-470-11 s CONNECTOR, 5P, MALE

CN139 1-506-473-11 s CONNECTOR, 8P, MALE

CN140 1-506-485-11 s CONNECTOR, 6P, MALE

CN142 1-506-492-11 s CONNECTOR, 13P, MALE

CN143 1-506-491-11 s CONNECTOR, 12P, MALE

CN144 1-506-486-11 s CONNECTOR, 7P, MALE

CN145 1-506-487-11 s CONNECTOR, 8P, MALE

CN146 1-751-357-11 s CABLE, FLAT 60P (SV CONT)

CN147 1-751-352-11 s CABLE, FLAT 40P (FP CONT)

CN148 1-568-093-11 s CONNECTOR, HINGE 20P, MALE

CN149 1-506-475-11 s CONNECTOR, 10P, MALE

CN150 1-560-356-00 o CONNECTOR, ILG 2P, MALE

CN151 1-506-599-11 o CONNECTOR, VH 10P, MALE

CN152 1-564-674-11 o CONNECTOR, VH 8P, MALE

CN153 1-564-241-00 o CONNECTOR, VH 4P, MALE

CN154 1-564-005-11 o CONNECTOR, 6P, MALE

CN155 1-506-468-11 s CONNECTOR, 3P, MALE

CN156 1-564-002-11 o CONNECTOR, 3P, MALE

CN160 \*A 1-564-014-11 o CONNECTOR, 4P, MALE

CN161 \*A 1-564-014-11 o CONNECTOR, 4P, MALE

FB1-21\*1 1-412-694-11 s INDUCTOR, BEED

R100 1-215-910-00 s METAL 68 5% 3W

R101 1-215-864-00 s METAL 150 5% 1W

-----  
\*A: For DVW-A500P only  
\*1: Board No. suffix 12 or higher

-----  
PC-70 BOARD  
-----

Ref. No. or Q'ty	Part No.	SP Description
1pc	A-8315-619-B	s MOUNTED CIRCUIT BOARD, PC-70
1pc	3-176-598-02	o SPRING, GROUND
CN934	1-565-038-11	o CONNECTOR, FPC 5P
PH1-3	8-719-939-05	s PHOTO-INTERRUPTER GP-1S54
R1-3	1-247-825-31	s CARBON 560 5% 1/4W

-----  
PD-35 BOARD  
-----

Ref. No. or Q'ty	Part No.	SP Description
1pc	1-622-596-11	o PRINTED CIRCUIT BOARD, PD-35
CN851	1-564-001-11	o CONNECTOR, 2P, MALE
CN852	1-508-900-00	s CONNECTOR, IL 2P, MALE
CN854	1-564-005-11	o CONNECTOR, 6P, MALE

-----  
PTC-54 BOARD  
-----

Ref. No. or Q'ty	Part No.	SP Description
1pc	1-640-163-11	o PRINTED CIRCUIT BOARD, PTC-54
CN904	1-564-013-11	s CONNECTOR, 3P, MALE
PH1	8-719-939-05	s PHOTO-INTERRUPTER GP-1S54

-----  
PTC-59 BOARD  
-----

Ref. No. or Q'ty	Part No.	SP Description
1pc	A-8267-549-B	o SENSOR ASSY, MC
D1-6	8-719-938-07	s LED GL480, INFRARED
Q1-6	8-729-903-81	s PHOTO-TRANSISTOR PT480

-----  
PTC-69 BOARD  
-----

Ref. No. or Q'ty	Part No.	SP Description
1pc	A-8276-585-A	o MOUNTED CIRCUIT BOARD, PTC-69
1pc	3-180-859-01	o HOLDER, SENSOR
C1	1-162-875-11	s CERAMIC 68pF 5% 50V
C2	1-162-875-11	s CERAMIC 68pF 5% 50V
C3	1-124-589-11	s ELECT 47uF 20% 10V
C4	1-164-096-11	s CERAMIC 0.01uF 50V
C5	1-164-096-11	s CERAMIC 0.01uF 50V
CN1	1-564-009-11	o CONNECTOR, 10P, MALE
CN2	1-564-002-11	s CONNECTOR, 3P, MALE
DME1	8-745-001-00	s DME DM-211A
IC1	8-759-145-58	s IC UPC4558C
IC2	8-759-729-03	s IC LM2903P
IC3	8-719-985-75	s PHOTO-INTERRUPTER GP1A53HR
IC4	8-719-985-74	s PHOTO-INTERRUPTER GP1A52HR
IC5	8-719-985-74	s PHOTO-INTERRUPTER GP1A52HR
Q1	8-729-900-89	s TRANSISTOR DTC144ES
R1	1-247-895-00	s CARBON 470K 5% 1/4W
R2	1-247-847-31	s CARBON 4.7K 5% 1/4W
R3	1-247-887-00	s CARBON 220K 5% 1/4W
R4-6	1-249-433-11	s CARBON 22K 5% 1/4W
R7	1-247-895-00	s CARBON 470K 5% 1/4W
R8	1-247-847-31	s CARBON 4.7K 5% 1/4W
R9	1-247-887-00	s CARBON 220K 5% 1/4W
R10-12	1-249-433-11	s CARBON 22K 5% 1/4W
R13	1-249-404-00	s CARBON 82 5% 1/4W
RV1	1-228-472-00	s RES, ADJ, CERMET 2K
RV2	1-228-472-00	s RES, ADJ, CERMET 2K

-----  
PTC-71 BOARD  
-----

Ref. No. or Q'ty	Part No.	SP Description
1pc	A-8276-619-A	o MOUNTED CIRCUIT BOARD, PTC-71
1pc	3-180-866-01	o BASE, LS SENSOR
CN1	1-564-014-11	s CONNECTOR, 4P, MALE
PH1	8-719-939-05	s PHOTO-INTERRUPTER GP-1S54
PH2	8-719-939-05	s PHOTO-INTERRUPTER GP-1S54
R1	1-249-409-11	s CARBON 220 5% 1/4W
R2	1-249-409-11	s CARBON 220 5% 1/4W

-----  
 RM-82 BOARD for S reel motor  
 -----

Ref. No. or Q'ty	Part No.	SP Description
CN923	1-563-233-11	o CONNECTOR, FPC 13P
CN926	1-506-469-11	s CONNECTOR, 4P, MALE
CN927	1-506-468-11	s CONNECTOR, 3P, MALE

-----  
 RM-82 BOARD for T reel motor of DVW-500P/510P  
 -----

Ref. No. or Q'ty	Part No.	SP Description
CN923	1-563-233-11	o CONNECTOR, FPC 13P
CN926	1-506-469-11	s CONNECTOR, 4P, MALE
CN927	1-506-468-11	s CONNECTOR, 3P, MALE

-----  
 RM-141 BOARD for T reel motor of DVW-A500P/A510P/CA510P  
 -----

Ref. No. or Q'ty	Part No.	SP Description
CN923	1-563-233-11	o CONNECTOR, FPC 13P
CN926	1-506-469-11	s CONNECTOR, 4P, MALE
CN927	1-506-468-11	s CONNECTOR, 3P, MALE

-----  
 RM-181 BOARD  
 -----

Ref. No. or Q'ty	Part No.	SP Description
CN923	1-563-233-11	o CONNECTOR, F.P.C 13P
CN926	1-506-469-11	s PIN, CONNECTOR 4P
CN927	1-506-468-11	s PIN, CONNECTOR 3P

-----  
 SE-228 BOARD  
 -----

Ref. No. or Q'ty	Part No.	SP Description
---------------------	----------	----------------

The components on this board are out of spare parts.  
 When component replacement is required, replace by the  
 assembly (including mounted circuit board) below.

A-8267-701-B s FG ASSY, REEL

-----  
 SS-52 BOARD for DVW-500P  
 -----

Ref. No. or Q'ty	Part No.	SP Description
1pc	A-8275-146-A	o MOUNTED CIRCUIT BOARD, SS-52P
1pc	1-526-660-21	o SOCKET, IC (DP) 32P (For IC12)
1pc	*5 1-526-660-21	o SOCKET, IC (DP) 32P (For IC54)
	*3 1-526-659-00	o SOCKET, IC (DP) 28P (For IC54)
1pc	*4 1-526-659-00	o SOCKET, IC (DP) 28P (For IC211)
1pc	*1 1-526-659-00	o SOCKET, IC (DP) 28P (For IC2110)
1pc	1-526-662-21	o SOCKET, IC (DP) 40P (For IC761)
1pc	3-171-453-03	o PLATE (L), SHIELD, CARD
1pc	3-171-454-02	o SHEET (L), CARD
1pc	3-179-084-01	s LEVER (R), PC BOARD
1pc	3-179-085-01	s LEVER (L), PC BOARD
1pc	7-682-902-11	s SCREW +PWH 2.6x5
C100-103	1-163-037-11	s CERAMIC, CHIP 0.022uF 10% 25V (2125)
C105	1-163-037-11	s CERAMIC, CHIP 0.022uF 10% 25V (2125)
C106	1-163-037-11	s CERAMIC, CHIP 0.022uF 10% 25V (2125)
C108-113	1-163-037-11	s CERAMIC, CHIP 0.022uF 10% 25V (2125)
C114	1-135-076-21	s TANTALUM, CHIP 1.0uF 10% 35V
C115	1-163-037-11	s CERAMIC, CHIP 0.022uF 10% 25V (2125)
C200-211	1-163-037-11	s CERAMIC, CHIP 0.022uF 10% 25V (2125)
C213	1-163-037-11	s CERAMIC, CHIP 0.022uF 10% 25V (2125)
C215-218	1-126-947-11	s ELECT 47uF 20% 35V
C219	1-163-037-11	s CERAMIC, CHIP 0.022uF 10% 25V (2125)
C300-308	1-163-037-11	s CERAMIC, CHIP 0.022uF 10% 25V (2125)
C309	1-164-232-11	s CERAMIC, CHIP 0.01uF 10% 100V (2125)
C310	1-126-795-11	s ELECT 10uF 20% 50V
C311-314	1-163-037-11	s CERAMIC, CHIP 0.022uF 10% 25V (2125)
C400-403	1-163-037-11	s CERAMIC, CHIP 0.022uF 10% 25V (2125)
C406	1-163-037-11	s CERAMIC, CHIP 0.022uF 10% 25V (2125)
C500	1-163-235-11	s CERAMIC, CHIP 22pF 5% 50V (2125)
C501	1-163-235-11	s CERAMIC, CHIP 22pF 5% 50V (2125)
C502	1-163-037-11	s CERAMIC, CHIP 0.022uF 10% 25V (2125)
C503	1-163-235-11	s CERAMIC, CHIP 22pF 5% 50V (2125)
C504	1-163-037-11	s CERAMIC, CHIP 0.022uF 10% 25V (2125)
C505	1-126-947-11	s ELECT 47uF 20% 35V
C506	1-163-235-11	s CERAMIC, CHIP 22pF 5% 50V (2125)
C507	*b 1-216-382-11	s ELECT 100uF 20% 16V
	*a 1-126-934-11	s ELECT 220uF 20% 16V
C509-512	1-163-037-11	s CERAMIC, CHIP 0.022uF 10% 25V (2125)
C600	1-163-037-11	s CERAMIC, CHIP 0.022uF 10% 25V (2125)
C601	1-164-232-11	s CERAMIC, CHIP 0.01uF 10% 100V (2125)
C604-607	1-163-227-11	s CERAMIC, CHIP 10pF 5% 50V (2125)
C608	1-163-037-11	s CERAMIC, CHIP 0.022uF 10% 25V (2125)
C610-614	1-163-037-11	s CERAMIC, CHIP 0.022uF 10% 25V (2125)
C700	1-163-037-11	s CERAMIC, CHIP 0.022uF 10% 25V (2125)
C701	1-163-809-11	s CERAMIC, CHIP 0.047uF 10% 25V (2125)
C702-704	1-163-037-11	s CERAMIC, CHIP 0.022uF 10% 25V (2125)
C705	1-124-903-11	s ELECT 1.0uF 20% 50V
C706	1-126-947-11	s ELECT 47uF 20% 35V
C707	1-126-947-11	s ELECT 47uF 20% 35V
C708-710	1-163-037-11	s CERAMIC, CHIP 0.022uF 10% 25V (2125)
C711	1-163-809-11	s CERAMIC, CHIP 0.047uF 10% 25V (2125)
C712	1-126-933-11	s ELECT 100uF 20% 16V
C713	1-163-037-11	s CERAMIC, CHIP 0.022uF 10% 25V (2125)
C714	1-163-037-11	s CERAMIC, CHIP 0.022uF 10% 25V (2125)
C715	1-126-933-11	s ELECT 100uF 20% 16V
C716	1-126-933-11	s ELECT 100uF 20% 16V
C717	1-126-947-11	s ELECT 47uF 20% 35V

-----  
 \*1: Board No. suffix 21 only  
 \*3: Board No. suffix 21 or 22  
 \*4: Board No. suffix 22 or higher  
 \*5: Board No. suffix 23 or higher  
 \*a: LOT No. 302 through 0C4  
 \*b: LOT No. 111 or higher

Ref. No. or Q'ty	Part No.	SP	Description
C718	1-126-947-11	s	ELECT 47uF 20% 35V
C719	1-126-933-11	s	ELECT 100uF 20% 16V
C720	1-163-251-11	s	CERAMIC, CHIP 100pF 5% 50V (2125)
C721	1-163-251-11	s	CERAMIC, CHIP 100pF 5% 50V (2125)
C722	1-163-037-11	s	CERAMIC, CHIP 0.022uF 10% 25V
C723	1-163-251-11	s	CERAMIC, CHIP 100pF 5% 50V (2125)
C724	1-163-251-11	s	CERAMIC, CHIP 100pF 5% 50V (2125)
C725	1-163-091-00	s	CERAMIC, CHIP 8pF 50V (2125)
C726	1-163-091-00	s	CERAMIC, CHIP 8pF 50V (2125)
C727-739	1-163-037-11	s	CERAMIC, CHIP 0.022uF 10% 25V
C740	*4 1-135-177-21	s	TANTALUM, CHIP 1.0uF 10% 25V
	*1 1-164-222-00	s	CERAMIC 0.22uF 25V
C741-743	1-163-037-11	s	CERAMIC, CHIP 0.022uF 10% 25V
C744	*4 1-163-809-11	s	CERAMIC, CHIP 0.047uF 10% 25V
C745	*4 1-163-037-11	s	CERAMIC, CHIP 0.022uF 10% 25V
C746-748	1-163-037-11	s	CERAMIC, CHIP 0.022uF 10% 25V
C749	1-124-903-11	s	ELECT 1.0uF 20% 50V
C750	1-163-809-11	s	CERAMIC, CHIP 0.047uF 10% 25V
C751	1-124-903-11	s	ELECT 1.0uF 20% 50V
C752	*4 1-135-177-21	s	TANTALUM, CHIP 1.0uF 10% 25V
	*1 1-164-222-00	s	CERAMIC 0.22uF 25V
C800-803	1-163-275-11	s	CERAMIC, CHIP 1000pF 5% 50V
C804	1-163-037-11	s	CERAMIC, CHIP 0.022uF 10% 25V
C805	1-163-017-00	s	CERAMIC, CHIP 4700pF 10% 50V
C806	1-163-227-11	s	CERAMIC, CHIP 10pF 5% 50V (2125)
C807	1-163-227-11	s	CERAMIC, CHIP 10pF 5% 50V (2125)
C808	1-163-037-11	s	CERAMIC, CHIP 0.022uF 10% 25V
C809	1-164-232-11	s	CERAMIC, CHIP 0.01uF 10% 100V
C810	1-163-037-11	s	CERAMIC, CHIP 0.022uF 10% 25V
C811-831	1-163-037-11	s	CERAMIC, CHIP 0.022uF 10% 25V
C832	1-164-232-11	s	CERAMIC, CHIP 0.01uF 10% 100V
C833	1-164-232-11	s	CERAMIC, CHIP 0.01uF 10% 100V
C834	1-163-275-11	s	CERAMIC, CHIP 1000pF 5% 50V
C835	1-163-037-11	s	CERAMIC, CHIP 0.022uF 10% 25V
C836	1-124-925-11	s	ELECT 2.2uF 20% 100V
C837	1-124-925-11	s	ELECT 2.2uF 20% 100V
C838	*4 1-163-275-11	s	CERAMIC, CHIP 1000pF 5% 50V
C839	1-163-037-11	s	CERAMIC, CHIP 0.022uF 10% 25V
C840	1-163-037-11	s	CERAMIC, CHIP 0.022uF 10% 25V
C841	1-164-004-11	s	CERAMIC, CHIP 0.1uF 10% 25V
C842	1-164-004-11	s	CERAMIC, CHIP 0.1uF 10% 25V
C843	*4 1-163-275-11	s	CERAMIC, CHIP 1000pF 5% 50V
C844	*4 1-163-017-00	s	CERAMIC, CHIP 4700pF 10% 50V
C845	*4 1-163-037-11	s	CERAMIC, CHIP 0.022uF 10% 25V
C846	1-163-037-11	s	CERAMIC, CHIP 0.022uF 10% 25V
C847	1-163-037-11	s	CERAMIC, CHIP 0.022uF 10% 25V
C848	*4 1-163-037-11	s	CERAMIC, CHIP 0.022uF 10% 25V
C849	*4 1-163-037-11	s	CERAMIC, CHIP 0.022uF 10% 25V
C850	*4 1-163-037-11	s	CERAMIC, CHIP 0.022uF 10% 25V
C901	1-163-037-11	s	CERAMIC, CHIP 0.022uF 10% 25V
C1000	*4 1-163-037-11	s	CERAMIC, CHIP 0.022uF 10% 25V
C1002	1-164-232-11	s	CERAMIC, CHIP 0.01uF 10% 100V
C1004	1-126-795-11	s	ELECT 10uF 20% 50V
C1006	1-163-037-11	s	CERAMIC, CHIP 0.022uF 10% 25V
C1007	1-163-037-11	s	CERAMIC, CHIP 0.022uF 10% 25V
C1100	1-163-037-11	s	CERAMIC, CHIP 0.022uF 10% 25V

Ref. No. or Q'ty	Part No.	SP	Description
C1101	1-163-241-11	s	CERAMIC, CHIP 39pF 5% 50V (2125)
C1102	1-163-241-11	s	CERAMIC, CHIP 39pF 5% 50V (2125)
C1103	1-163-037-11	s	CERAMIC, CHIP 0.022uF 10% 25V (2125)
C1104	1-163-037-11	s	CERAMIC, CHIP 0.022uF 10% 25V (2125)
C1105	*4 1-163-037-11	s	CERAMIC, CHIP 0.022uF 10% 25V (2125)
C1106	1-163-235-11	s	CERAMIC, CHIP 22pF 5% 50V (2125)
C1108	*4 1-164-232-11	s	CERAMIC, CHIP 0.01uF 10% 100V (2125)
C1109	*4 1-163-019-00	s	CERAMIC, CHIP 6800pF 10% 50V (2125)
C1110	*4 1-163-251-11	s	CERAMIC, CHIP 100pF 5% 50V (2125)
C1111	*4 1-163-037-11	s	CERAMIC, CHIP 0.022uF 10% 25V (2125)
C1112	*4 1-163-037-11	s	CERAMIC, CHIP 0.022uF 10% 25V (2125)
C1118	1-163-137-00	s	CERAMIC, CHIP 680pF 5% 50V (2125)
C1119	1-163-243-11	s	CERAMIC, CHIP 47pF 5% 50V (2125)
C1120	1-163-131-00	s	CERAMIC, CHIP 390pF 5% 50V (2125)
C1121	1-163-251-11	s	CERAMIC, CHIP 100pF 5% 50V (2125)
C1122	1-163-139-00	s	CERAMIC, CHIP 820pF 5% 50V (2125)
C1123	1-163-245-11	s	CERAMIC, CHIP 56pF 5% 50V (2125)
C1124	1-164-004-11	s	CERAMIC, CHIP 0.1uF 10% 25V (2125)
C1125	1-163-037-11	s	CERAMIC, CHIP 0.022uF 10% 25V (2125)
C1127	1-164-004-11	s	CERAMIC, CHIP 0.1uF 10% 25V (2125)
C1128	1-164-004-11	s	CERAMIC, CHIP 0.1uF 10% 25V (2125)
C1129	1-163-037-11	s	CERAMIC, CHIP 0.022uF 10% 25V (2125)
C1133	1-163-037-11	s	CERAMIC, CHIP 0.022uF 10% 25V (2125)
C1134	1-163-016-00	s	CERAMIC, CHIP 3900pF 10% 50V (2125)
C1136	1-163-037-11	s	CERAMIC, CHIP 0.022uF 10% 25V (2125)
C1137	1-163-251-11	s	CERAMIC, CHIP 100pF 5% 50V (2125)
C1140	1-163-037-11	s	CERAMIC, CHIP 0.022uF 10% 25V (2125)
C1142	1-163-037-11	s	CERAMIC, CHIP 0.022uF 10% 25V (2125)
C1143	1-163-275-11	s	CERAMIC, CHIP 1000pF 5% 50V (2125)
C1144	1-163-275-11	s	CERAMIC, CHIP 1000pF 5% 50V (2125)
C1145	1-163-275-11	s	CERAMIC, CHIP 1000pF 5% 50V (2125)
C1146	1-163-037-11	s	CERAMIC, CHIP 0.022uF 10% 25V (2125)
C1147	1-163-275-11	s	CERAMIC, CHIP 1000pF 5% 50V (2125)
C1148	1-163-037-11	s	CERAMIC, CHIP 0.022uF 10% 25V (2125)
C1149	1-163-275-11	s	CERAMIC, CHIP 1000pF 5% 50V (2125)
C1150	1-163-275-11	s	CERAMIC, CHIP 1000pF 5% 50V (2125)
C1151	1-163-135-00	s	CERAMIC, CHIP 560pF 5% 50V (2125)
C1152	1-163-251-11	s	CERAMIC, CHIP 100pF 5% 50V (2125)
C1154	1-163-037-11	s	CERAMIC, CHIP 0.022uF 10% 25V (2125)
C1155	*4 1-163-037-11	s	CERAMIC, CHIP 0.022uF 10% 25V (2125)
C1156	*4 1-163-037-11	s	CERAMIC, CHIP 0.022uF 10% 25V (2125)
C1159	1-163-037-11	s	CERAMIC, CHIP 0.022uF 10% 25V (2125)
C1160	1-163-037-11	s	CERAMIC, CHIP 0.022uF 10% 25V (2125)
C1161	1-126-933-11	s	ELECT 100uF 20% 16V
C1162	1-126-933-11	s	ELECT 100uF 20% 16V
C1163	1-163-037-11	s	CERAMIC, CHIP 0.022uF 10% 25V (2125)
C1164	1-163-037-11	s	CERAMIC, CHIP 0.022uF 10% 25V (2125)
C1165	1-164-004-11	s	CERAMIC, CHIP 0.1uF 10% 25V (2125)
C1166	1-164-004-11	s	CERAMIC, CHIP 0.1uF 10% 25V (2125)
C1167	1-164-232-11	s	CERAMIC, CHIP 0.01uF 10% 100V (2125)
C1168	1-164-232-11	s	CERAMIC, CHIP 0.01uF 10% 100V (2125)
C1169	1-126-933-11	s	ELECT 100uF 20% 16V
C1170	1-126-933-11	s	ELECT 100uF 20% 16V
C1171	1-163-037-11	s	CERAMIC, CHIP 0.022uF 10% 25V (2125)
C1172	1-163-037-11	s	CERAMIC, CHIP 0.022uF 10% 25V (2125)
C1173	*1 1-163-037-11	s	CERAMIC, CHIP 0.022uF 10% 25V (2125)

-----  
 \*1: Board No. suffix 21 only

\*4: Board No. suffix 22 or higher

(SS-52 BOARD for DVW-500P)

(SS-52 BOARD for DVW-500P)

Ref. No. or Q'ty	Part No.	SP	Description	Ref. No. or Q'ty	Part No.	SP	Description
C1174	*1 1-163-037-11	s	CERAMIC, CHIP 0.022uF 10% 25V	C2136	1-164-232-11	s	CERAMIC, CHIP 0.01uF 10% 100V (2125)
C1175	1-163-037-11	s	CERAMIC, CHIP 0.022uF 10% 25V	C2140	1-164-232-11	s	CERAMIC, CHIP 0.01uF 10% 100V (2125)
C1177	1-163-037-11	s	CERAMIC, CHIP 0.022uF 10% 25V	C2141	1-164-232-11	s	CERAMIC, CHIP 0.01uF 10% 100V (2125)
C1178	1-163-037-11	s	CERAMIC, CHIP 0.022uF 10% 25V	C2142	1-164-232-11	s	CERAMIC, CHIP 0.01uF 10% 100V (2125)
C1179	*1 1-163-037-11	s	CERAMIC, CHIP 0.022uF 10% 25V	C2200	1-163-227-11	s	CERAMIC, CHIP 10pF 5% 50V (2125)
C1180	*1 1-163-037-11	s	CERAMIC, CHIP 0.022uF 10% 25V	C2201	1-163-227-11	s	CERAMIC, CHIP 10pF 5% 50V (2125)
C1200	*1 1-163-037-11	s	CERAMIC, CHIP 0.022uF 10% 25V	C2202	1-164-232-11	s	CERAMIC, CHIP 0.01uF 10% 100V (2125)
C1201	*1 1-163-241-11	s	CERAMIC, CHIP 39pF 5% 50V (2125)	C2205	1-164-232-11	s	CERAMIC, CHIP 0.01uF 10% 100V (2125)
C1202	*1 1-163-241-11	s	CERAMIC, CHIP 39pF 5% 50V (2125)	C2207	1-164-232-11	s	CERAMIC, CHIP 0.01uF 10% 100V (2125)
C1203	*1 1-163-037-11	s	CERAMIC, CHIP 0.022uF 10% 25V	C2208	1-164-232-11	s	CERAMIC, CHIP 0.01uF 10% 100V (2125)
C1204	*1 1-163-037-11	s	CERAMIC, CHIP 0.022uF 10% 25V	C2209	1-164-232-11	s	CERAMIC, CHIP 0.01uF 10% 100V (2125)
C1206	*1 1-163-235-11	s	CERAMIC, CHIP 22pF 5% 50V (2125)	C2210	1-164-232-11	s	CERAMIC, CHIP 0.01uF 10% 100V (2125)
C1218	*1 1-163-137-00	s	CERAMIC, CHIP 680pF 5% 50V (2125)	C2211	1-124-902-00	s	ELECT 4.7uF 20% 50V
C1220	*1 1-163-131-00	s	CERAMIC, CHIP 390pF 5% 50V (2125)	C2212	1-164-232-11	s	CERAMIC, CHIP 0.01uF 10% 100V (2125)
C1222	*1 1-163-139-00	s	CERAMIC, CHIP 820pF 5% 50V (2125)	C2213	1-163-227-11	s	CERAMIC, CHIP 10pF 5% 50V (2125)
C1223	*1 1-163-245-11	s	CERAMIC, CHIP 56pF 5% 50V (2125)	C2214	1-164-232-11	s	CERAMIC, CHIP 0.01uF 10% 100V (2125)
C1224	*1 1-164-004-11	s	CERAMIC, CHIP 0.1uF 10% 25V	C2215	1-164-232-11	s	CERAMIC, CHIP 0.01uF 10% 100V (2125)
C1225	*1 1-163-037-11	s	CERAMIC, CHIP 0.022uF 10% 25V	C2216	1-164-232-11	s	CERAMIC, CHIP 0.01uF 10% 100V (2125)
C1227	*1 1-164-004-11	s	CERAMIC, CHIP 0.1uF 10% 25V	C2217	1-164-232-11	s	CERAMIC, CHIP 0.01uF 10% 100V (2125)
C1228	*1 1-164-004-11	s	CERAMIC, CHIP 0.1uF 10% 25V	C2300	1-164-004-11	s	CERAMIC, CHIP 0.1uF 10% 25V (2125)
C1233	*1 1-163-037-11	s	CERAMIC, CHIP 0.022uF 10% 25V	C2302	1-163-275-11	s	CERAMIC, CHIP 1000pF 5% 50V (2125)
C1236	*1 1-163-037-11	s	CERAMIC, CHIP 0.022uF 10% 25V	C2303	1-164-232-11	s	CERAMIC, CHIP 0.01uF 10% 100V (2125)
C1261	*1 1-126-933-11	s	ELECT 100uF 20% 16V	C2304	1-164-232-11	s	CERAMIC, CHIP 0.01uF 10% 100V (2125)
C1262	*1 1-126-933-11	s	ELECT 100uF 20% 16V	C2305	1-163-037-11	s	CERAMIC, CHIP 0.022uF 10% 25V (2125)
C1263	*1 1-163-037-11	s	CERAMIC, CHIP 0.022uF 10% 25V	C2306	1-164-232-11	s	CERAMIC, CHIP 0.01uF 10% 100V (2125)
C1264	*1 1-163-037-11	s	CERAMIC, CHIP 0.022uF 10% 25V	C2307	1-163-016-00	s	CERAMIC, CHIP 3900pF 10% 50V (2125)
C1265	*1 1-164-004-11	s	CERAMIC, CHIP 0.1uF 10% 25V	C2308	1-163-241-11	s	CERAMIC, CHIP 39pF 5% 50V (2125)
C1266	*1 1-164-004-11	s	CERAMIC, CHIP 0.1uF 10% 25V	C2309	1-163-037-11	s	CERAMIC, CHIP 0.022uF 10% 25V (2125)
C1267	*1 1-164-232-11	s	CERAMIC, CHIP 0.01uF 10% 100V	C2310	1-163-275-11	s	CERAMIC, CHIP 1000pF 5% 50V (2125)
C1268	*1 1-164-232-11	s	CERAMIC, CHIP 0.01uF 10% 100V	C2311	1-164-004-11	s	CERAMIC, CHIP 0.1uF 10% 25V (2125)
C1269	*1 1-126-933-11	s	ELECT 100uF 20% 16V	C2312	1-164-232-11	s	CERAMIC, CHIP 0.01uF 10% 100V (2125)
C1270	*1 1-126-933-11	s	ELECT 100uF 20% 16V	C2313	1-164-232-11	s	CERAMIC, CHIP 0.01uF 10% 100V (2125)
C1271	*1 1-163-037-11	s	CERAMIC, CHIP 0.022uF 10% 25V	C2314	1-164-232-11	s	CERAMIC, CHIP 0.01uF 10% 100V (2125)
C1272	*1 1-163-037-11	s	CERAMIC, CHIP 0.022uF 10% 25V	C2315	1-164-232-11	s	CERAMIC, CHIP 0.01uF 10% 100V (2125)
C2100	1-164-232-11	s	CERAMIC, CHIP 0.01uF 10% 100V	C2316	1-164-232-11	s	CERAMIC, CHIP 0.01uF 10% 100V (2125)
C2101	1-164-232-11	s	CERAMIC, CHIP 0.01uF 10% 100V	C2317	1-164-004-11	s	CERAMIC, CHIP 0.1uF 10% 25V (2125)
C2102	1-163-251-11	s	CERAMIC, CHIP 100pF 5% 50V (2125)	C2318	1-164-232-11	s	CERAMIC, CHIP 0.01uF 10% 100V (2125)
C2103	1-163-251-11	s	CERAMIC, CHIP 100pF 5% 50V (2125)	C2319	1-164-232-11	s	CERAMIC, CHIP 0.01uF 10% 100V (2125)
C2104-2109	1-164-232-11	s	CERAMIC, CHIP 0.01uF 10% 100V	C2320	1-164-232-11	s	CERAMIC, CHIP 0.01uF 10% 100V (2125)
C2110	1-126-933-11	s	ELECT 100uF 20% 16V	C2321	1-164-232-11	s	CERAMIC, CHIP 0.01uF 10% 100V (2125)
C2111	1-164-232-11	s	CERAMIC, CHIP 0.01uF 10% 100V	C2322	1-164-004-11	s	CERAMIC, CHIP 0.1uF 10% 25V (2125)
C2112	1-163-989-11	s	CERAMIC, CHIP 0.033uF 10% 25V	C2323-2328	1-164-232-11	s	CERAMIC, CHIP 0.01uF 10% 100V (2125)
C2113-2119	1-164-232-11	s	CERAMIC, CHIP 0.01uF 10% 100V	C2329	1-164-004-11	s	CERAMIC, CHIP 0.1uF 10% 25V (2125)
C2121	1-164-232-11	s	CERAMIC, CHIP 0.01uF 10% 100V	C2330	1-163-275-11	s	CERAMIC, CHIP 1000pF 5% 50V (2125)
C2124	1-164-232-11	s	CERAMIC, CHIP 0.01uF 10% 100V	C2331	1-163-016-00	s	CERAMIC, CHIP 3900pF 10% 50V (2125)
C2125	1-163-227-11	s	CERAMIC, CHIP 10pF 5% 50V (2125)	C2500	1-164-232-11	s	CERAMIC, CHIP 0.01uF 10% 100V (2125)
C2126	1-163-227-11	s	CERAMIC, CHIP 10pF 5% 50V (2125)	C2501	1-164-232-11	s	CERAMIC, CHIP 0.01uF 10% 100V (2125)
C2127	1-164-232-11	s	CERAMIC, CHIP 0.01uF 10% 100V	C2502	1-163-809-11	s	CERAMIC, CHIP 0.047uF 10% 25V (2125)
C2128	1-164-232-11	s	CERAMIC, CHIP 0.01uF 10% 100V	C2503	1-163-809-11	s	CERAMIC, CHIP 0.047uF 10% 25V (2125)
C2129	1-164-232-11	s	CERAMIC, CHIP 0.01uF 10% 100V	C2504	1-163-018-00	s	CERAMIC, CHIP 5600pF 10% 50V (2125)
C2130	1-164-232-11	s	CERAMIC, CHIP 0.01uF 10% 100V	C2505	1-163-018-00	s	CERAMIC, CHIP 5600pF 10% 50V (2125)
C2133	1-164-232-11	s	CERAMIC, CHIP 0.01uF 10% 100V	C2506	1-163-018-00	s	CERAMIC, CHIP 5600pF 10% 50V (2125)
C2134	1-164-232-11	s	CERAMIC, CHIP 0.01uF 10% 100V	C2507	1-163-018-00	s	CERAMIC, CHIP 5600pF 10% 50V (2125)
C2135	1-164-232-11	s	CERAMIC, CHIP 0.01uF 10% 100V	C2508	1-164-232-11	s	CERAMIC, CHIP 0.01uF 10% 100V (2125)
				C2509	1-164-232-11	s	CERAMIC, CHIP 0.01uF 10% 100V (2125)

\*1: Board No. suffix 21 only

## (SS-52 BOARD for DVW-500P)

Ref. No. or Q'ty	Part No.	SP Description
C2510	1-164-232-11	s CERAMIC, CHIP 0.01uF 10% 100V
C2511	1-164-232-11	s CERAMIC, CHIP 0.01uF 10% 100V
C2512	1-163-133-00	s CERAMIC, CHIP 470pF 5% 50V (2125)
C2513	1-163-133-00	s CERAMIC, CHIP 470pF 5% 50V (2125)
C2514	1-164-004-11	s CERAMIC, CHIP 0.1uF 10% 25V
C2515	1-164-232-11	s CERAMIC, CHIP 0.01uF 10% 100V
C2518	1-164-004-11	s CERAMIC, CHIP 0.1uF 10% 25V
C2519	1-164-232-11	s CERAMIC, CHIP 0.01uF 10% 100V
C2520	1-164-232-11	s CERAMIC, CHIP 0.01uF 10% 100V
C2523-2530	1-164-232-11	s CERAMIC, CHIP 0.01uF 10% 100V
C2533	1-164-232-11	s CERAMIC, CHIP 0.01uF 10% 100V
C2534	1-164-232-11	s CERAMIC, CHIP 0.01uF 10% 100V
C2573	1-164-232-11	s CERAMIC, CHIP 0.01uF 10% 100V
C2574	1-164-232-11	s CERAMIC, CHIP 0.01uF 10% 100V
C2579	1-164-232-11	s CERAMIC, CHIP 0.01uF 10% 100V
C2580	1-164-232-11	s CERAMIC, CHIP 0.01uF 10% 100V
C2584	1-164-232-11	s CERAMIC, CHIP 0.01uF 10% 100V
C2700	1-164-004-11	s CERAMIC, CHIP 0.1uF 10% 25V
C2702	1-163-275-11	s CERAMIC, CHIP 1000pF 5% 50V
C2703	1-164-232-11	s CERAMIC, CHIP 0.01uF 10% 100V
C2704	1-164-232-11	s CERAMIC, CHIP 0.01uF 10% 100V
C2705	1-163-037-11	s CERAMIC, CHIP 0.022uF 10% 25V
C2706	1-164-232-11	s CERAMIC, CHIP 0.01uF 10% 100V
C2707	1-163-016-00	s CERAMIC, CHIP 3900pF 10% 50V
C2708	1-163-241-11	s CERAMIC, CHIP 39pF 5% 50V (2125)
C2709	1-163-037-11	s CERAMIC, CHIP 0.022uF 10% 25V
C2710	1-163-275-11	s CERAMIC, CHIP 1000pF 5% 50V
C2711	1-164-004-11	s CERAMIC, CHIP 0.1uF 10% 25V
C2712	1-164-232-11	s CERAMIC, CHIP 0.01uF 10% 100V
C2713	1-164-232-11	s CERAMIC, CHIP 0.01uF 10% 100V
C2714	1-164-232-11	s CERAMIC, CHIP 0.01uF 10% 100V
C2715	1-164-232-11	s CERAMIC, CHIP 0.01uF 10% 100V
C2716	1-164-232-11	s CERAMIC, CHIP 0.01uF 10% 100V
C2717	1-164-004-11	s CERAMIC, CHIP 0.1uF 10% 25V
C2718	1-164-232-11	s CERAMIC, CHIP 0.01uF 10% 100V
C2719	1-164-232-11	s CERAMIC, CHIP 0.01uF 10% 100V
C2720	1-164-232-11	s CERAMIC, CHIP 0.01uF 10% 100V
C2721	1-164-004-11	s CERAMIC, CHIP 0.1uF 10% 25V
C2722-2728	1-164-232-11	s CERAMIC, CHIP 0.01uF 10% 100V
C2729	1-164-004-11	s CERAMIC, CHIP 0.1uF 10% 25V
C3000	*1 1-163-809-11	s CERAMIC, CHIP 0.047uF 10% 25V (2125)
	*1 1-162-899-11	s CERAMIC 0.047uF 10% 50V
C3001	*4 1-163-809-11	s CERAMIC, CHIP 0.047uF 10% 25V
	*1 1-162-899-11	s CERAMIC 0.047uF 10% 50V
C3002	*4 1-164-004-11	s CERAMIC, CHIP 0.1uF 10% 25V
	*1 1-161-485-00	s CERAMIC 0.1uF 50V
CN2	1-506-484-11	s CONNECTOR, 5P, MALE
CN122	1-573-600-21	s CONNECTOR, PHEC 100P, MALE
CN123	1-573-600-21	s CONNECTOR, PHEC 100P, MALE
CN124	1-573-600-21	s CONNECTOR, PHEC 100P, MALE
CN700	1-506-484-11	s CONNECTOR, 5P, MALE
CN701	*4 1-506-486-11	s CONNECTOR, 7P, MALE
	*1 1-506-485-11	s CONNECTOR, 6P, MALE

-----  
 \*1: Board No. suffix 21 only  
 \*3: Board No. suffix 21 or 22  
 \*4: Board No. suffix 22 or higher

## (SS-52 BOARD for DVW-500P)

Ref. No. or Q'ty	Part No.	SP Description
CN2101	1-506-484-11	s CONNECTOR, 5P, MALE
D100	8-719-024-81	s DIODE 1SS300
D201	8-719-404-35	s DIODE MA141WK
D202	8-719-210-33	s DIODE EC10DS2
D203	8-719-210-33	s DIODE EC10DS2
D300	8-719-026-16	s LED CL-150D-CD, ORG
D301	8-719-026-16	s LED CL-150D-CD, ORG
D600	8-719-404-35	s DIODE MA141WK
D601	8-719-026-16	s LED CL-150D-CD, ORG
D700	8-719-941-23	s DIODE DA204U
D701	8-719-941-23	s DIODE DA204U
D703	8-729-028-24	s DIODE 1SS154
D704-710	8-719-941-23	s DIODE DA204U
D711	8-719-026-16	s LED CL-150D-CD, ORG
D800	8-719-026-16	s LED CL-150D-CD, ORG
D801	*4 8-719-024-81	s DIODE 1SS300
D1100	*4 8-719-938-72	s DIODE SB01-05CP
D1101	*4 8-719-938-72	s DIODE SB01-05CP
D1102	*4 8-719-938-72	s DIODE SB01-05CP
D1103	8-719-938-72	s DIODE SB01-05CP
D1104	8-719-938-72	s DIODE SB01-05CP
D2101-2108	8-719-941-23	s DIODE DA204U
D2109	8-719-026-16	s LED CL-150D-CD, ORG
D2110	8-719-024-81	s DIODE 1SS300
D2300	8-719-938-72	s DIODE SB01-05CP
D2301	8-719-938-72	s DIODE SB01-05CP
D2302	8-719-941-23	s DIODE DA204U
D2500	8-719-941-23	s DIODE DA204U
D2501	8-719-941-23	s DIODE DA204U
D2502	8-719-941-23	s DIODE DA204U
D2503	8-719-941-23	s DIODE DA204U
D2700	8-719-938-72	s DIODE SB01-05CP
D2701	8-719-938-72	s DIODE SB01-05CP
D2702	8-719-941-23	s DIODE DA204U
IC1	8-759-673-42	s IC MM74HC04SJX
IC2	8-759-925-79	s IC SN74HC11ANS
IC3	8-759-632-39	s IC M51958A
IC5	8-759-178-16	s IC UPD70325GJ-10-5BG
IC6	8-759-673-51	s IC MM74HC32SJX
IC7	8-759-175-55	s IC CXD8805Q
IC8	8-759-053-58	s IC IDT6116SA25SO
IC10	8-759-296-24	s IC CY7C199-20VC
IC11	8-759-674-43	s IC MM74HCT244SJX
IC12	*8 8-759-684-42	o IC M27C2001-SYS1-V422, EP-ROM
	*7 8-759-476-63	o IC M27C2001-SYS1-V411, EP-ROM
	*3 8-759-335-79	o IC M27C2001-SYS1-V210, EP-ROM
IC15	8-759-175-72	s IC UPD72002GB-11-3B4
IC16	8-759-143-23	s IC UPD71059GB-3B4
IC17	8-759-925-78	s IC SN74HC10ANS
IC18	8-759-031-69	s IC MC1488M
IC19	8-759-170-73	s IC TA78L12S
IC20	8-759-700-69	s IC NJM79L12A
IC21	8-759-031-68	s IC MC1489AM
IC22	8-759-554-69	s IC LC3564BM-10-TLM

-----  
 \*7: LOT No. 410 through 909  
 \*8: LOT No. 910 or higher

## (SS-52 BOARD for DVW-500P)

Ref. No. or Q'ty	Part No.	SP	Description
IC23	8-759-174-16	s IC	TC74VHC244F
IC24	8-759-674-43	s IC	MM74HCT244SJK
IC25	8-759-175-56	s IC	CXD8804Q
IC26	8-759-544-69	s IC	LC3564BM-10-TLM
IC27	8-759-175-56	s IC	CXD8804Q
IC28	8-759-569-65	s IC	BH3863F-E2
IC29	8-759-475-22	s IC	TC74LCX245F(EL)
IC30	8-759-475-22	s IC	TC74LCX245F(EL)
IC31	8-759-673-48	s IC	MM74HC14SJK
IC32	8-759-673-48	s IC	MM74HC14SJK
IC34	8-759-095-41	s IC	CXD8176AQ
IC35	8-759-053-58	s IC	IDT6116SA25SO
IC37	8-759-095-41	s IC	CXD8176AQ
IC38	8-759-053-58	s IC	IDT6116SA25SO
IC39	8-759-569-65	s IC	BH3863F-E2
IC41	8-759-174-16	s IC	TC74VHC244F
IC42	8-759-175-77	s IC	CXD8384Q
IC43	8-759-673-57	s IC	MM74HC86SJK
IC45	8-759-673-51	s IC	MM74HC32SJK
IC46	8-759-500-93	s IC	MB90061-111
IC47	8-759-673-45	s IC	MM74HC08SJK
IC48	8-759-923-64	s IC	AM26LS32ACNS
IC49	8-759-479-32	s IC	SN75C1168NS (E05)
IC50	8-759-175-78	s IC	Z8401510FEC
IC52	8-759-544-69	s IC	LC3564BM-10-TLM
IC53	8-759-175-94	s IC	CXD8813Q
IC54	*8 8-759-665-05	o IC	M27C2001-SYS2-V412, EP-ROM
	*7 8-759-476-64	o IC	M27C2001-SYS2-V411, EP-ROM
	*3 8-759-281-53	o IC	M27C512-SYS2-V130, EP-ROM
IC55	8-759-092-26	s IC	DS3691M
IC56	8-759-992-43	s IC	74F174SJ
IC211	*4 8-759-352-42	o IC	TMS27C512-DT-V202, EP-ROM
IC700	8-752-853-39	s IC	CXP80620-480Q
IC702	8-759-925-05	s IC	LM2903PS
IC747	8-759-100-94	s IC	UPC358G2
IC748	8-759-300-71	s IC	HD14053BFP
IC749	8-759-009-05	s IC	MC14051BF
IC750	8-759-348-69	s IC	HD6415108RF10
IC751	8-759-053-58	s IC	IDT6116SA25SO
IC752	8-759-673-42	s IC	MM74HC04SJK
IC753	8-759-186-29	s IC	TC74VHC11F
IC754	8-759-925-83	s IC	SN74HC27ANS
IC755	8-759-185-70	s IC	TC74VHC32F(EL)
IC756	8-759-185-79	s IC	TC74VHC138F(EL)
IC757	8-759-673-71	s IC	MM74HC138SJK
IC758	8-759-053-58	s IC	IDT6116SA25SO
IC759	8-759-081-49	s IC	TC74VHC08F(EL)
IC760	8-759-673-45	s IC	MM74HC08SJK
IC761	*8 8-759-665-06	o IC	M27C4002-SV-V215, EP-ROM
	*6 8-759-425-07	o IC	M27C4002-SV-V214, EP-ROM
IC762	8-752-381-84	s IC	CXD1095BQ
IC763	8-759-300-71	s IC	HD14053BFP
IC764	8-759-009-51	s IC	MC14538BF
IC765	8-759-100-95	s IC	UPC324G2
IC766	8-759-300-71	s IC	HD14053BFP
IC767	8-759-009-05	s IC	MC14051BF
IC768	8-759-925-05	s IC	LM2903PS
IC769	8-759-926-37	s IC	SN74HC193ANS

\*1: Board No. suffix 21 only  
 \*3: Board No. suffix 21 or 22  
 \*4: Board No. suffix 22 or higher

## (SS-52 BOARD for DVW-500P)

Ref. No. or Q'ty	Part No.	SP	Description
IC770	8-759-673-57	s IC	MM74HC86SJK
IC771	8-759-300-71	s IC	HD14053BFP
IC772	8-759-009-51	s IC	MC14538BF
IC773	8-759-673-54	s IC	MM74HC74ASJK
IC774	8-752-343-05	s IC	CXD2202Q
IC775	8-759-300-71	s IC	HD14053BFP
IC776	8-759-908-17	s IC	TL082CPS
IC777	8-759-908-17	s IC	TL082CPS
IC778	8-759-569-65	s IC	BH3863F-E2
IC779	8-759-174-16	s IC	TC74VHC244F
IC780	8-759-174-16	s IC	TC74VHC244F
IC781	8-759-174-16	s IC	TC74VHC244F
IC782	8-752-381-84	s IC	CXD1095BQ
IC783	8-759-239-14	s IC	TA78L05S
IC800	*4 8-759-300-71	s IC	HD14053BFP
IC801	*4 8-759-673-42	s IC	MM74HC04SJK
IC802	*4 8-759-009-51	s IC	MC14538BF
IC1001	8-759-548-77	s IC	SN74LV245ANSR
IC1002	8-759-569-65	s IC	BH3863F-E2
IC1003	8-759-175-70	s IC	CXD8837Q
IC1004	*4 8-759-174-16	s IC	TC74VHC244F
IC1100	*4 8-759-908-17	s IC	TL082CPS
IC1101	8-759-300-71	s IC	HD14053BFP
IC1102	8-759-112-53	s IC	UPC1663G
IC1105	8-759-101-12	s IC	UPC311G2
IC1106	8-759-673-42	s IC	MM74HC04SJK
IC1107	8-759-700-95	s IC	NJM1496M
IC1108	8-759-908-17	s IC	TL082CPS
IC1109	8-759-300-71	s IC	HD14053BFP
IC1110	8-759-908-17	s IC	TL082CPS
IC1111	8-759-112-53	s IC	UPC1663G
IC1112	8-759-239-14	s IC	TA78L05S
IC1113	8-759-700-65	s IC	NJM79L05A
IC1201	*1 8-759-300-71	s IC	HD14053BFP
IC1202	*1 8-759-112-53	s IC	UPC1663G
IC1205	*1 8-759-101-12	s IC	UPC311G2
IC1211	*1 8-759-112-53	s IC	UPC1663G
IC1212	*1 8-759-708-05	s IC	NJM78L05A
IC1213	*1 8-759-700-65	s IC	NJM79L05A
IC2100	8-759-673-42	s IC	MM74HC04SJK
IC2101	8-759-906-54	s IC	TL064CNS
IC2103	8-759-906-54	s IC	TL064CNS
IC2104	8-759-175-67	s IC	MB90T736
IC2106	8-759-926-49	s IC	SN74HC245ANS
IC2107	8-759-926-77	s IC	SN74HC541ANS
IC2108	8-759-996-06	s IC	CXD8115Q
IC2109	8-752-381-84	s IC	CXD1095BQ
IC2110	*1 8-759-352-42	o IC	TMS27C512-DT-V202, EP-ROM
IC2113	8-759-095-41	s IC	CXD8176AQ
IC2114	8-759-239-74	s IC	TC74HC4520AF
IC2115	8-759-053-58	s IC	IDT6116SA25SO
IC2200	8-752-343-05	s IC	CXD2202Q
IC2202	8-759-113-55	s IC	UPD71054GB-3B4
IC2204	8-759-113-55	s IC	UPD71054GB-3B4
IC2205	8-759-673-51	s IC	MM74HC32SJK
IC2207	8-759-113-55	s IC	UPD71054GB-3B4

\*6: LOT No. 303 through 909  
 \*7: LOT No. 410 through 909  
 \*8: LOT No. 910 or higher

## (SS-52 BOARD for DVW-500P)

Ref. No. or Q'ty	Part No.	SP	Description
IC2208	8-759-300-71	s	IC HD14053BFP
IC2209	8-759-673-45	s	IC MM74HC08SJX
IC2210	8-759-946-12	s	IC AD7528JN
IC2300	8-759-908-92	s	IC TL084CNS
IC2301	8-759-906-54	s	IC TL064CNS
IC2302	8-759-906-54	s	IC TL064CNS
IC2303	8-759-300-71	s	IC HD14053BFP
IC2304	8-759-300-71	s	IC HD14053BFP
IC2305	8-759-906-54	s	IC TL064CNS
IC2500	8-759-906-54	s	IC TL064CNS
IC2501	8-759-300-71	s	IC HD14053BFP
IC2502	8-759-906-54	s	IC TL064CNS
IC2503	8-759-906-54	s	IC TL064CNS
IC2504	8-759-300-71	s	IC HD14053BFP
IC2505	8-759-906-54	s	IC TL064CNS
IC2506	8-759-906-54	s	IC TL064CNS
IC2507	8-759-300-71	s	IC HD14053BFP
IC2508	8-759-906-54	s	IC TL064CNS
IC2700	8-759-908-92	s	IC TL084CNS
IC2701	8-759-906-54	s	IC TL064CNS
IC2702	8-759-906-54	s	IC TL064CNS
IC2703	8-759-300-71	s	IC HD14053BFP
IC2704	8-759-300-71	s	IC HD14053BFP
IC2705	8-759-906-54	s	IC TL064CNS
L301	1-410-803-11	s	INDUCTOR, CHIP 0.047uH
L700-703	1-412-533-21	s	INDUCTOR 47uH
L1002	1-410-803-11	s	INDUCTOR, CHIP 0.047uH
L1101	1-410-385-11	s	INDUCTOR, CHIP 22uH
L1105	1-412-281-31	s	INDUCTOR, CHIP 390uH
L1107	1-410-657-21	s	INDUCTOR, CHIP 180uH
L1114	1-410-388-31	s	INDUCTOR, CHIP 39uH
L1115	1-412-533-21	s	INDUCTOR 47uH
L1116	1-412-533-21	s	INDUCTOR 47uH
L1117	1-412-533-21	s	INDUCTOR 47uH
L1118	1-412-533-21	s	INDUCTOR 47uH
L1201 *1	1-410-385-11	s	INDUCTOR, CHIP 22uH
L1205 *1	1-412-281-31	s	INDUCTOR, CHIP 390uH
L1207 *1	1-410-657-21	s	INDUCTOR, CHIP 180uH
L1215 *1	1-412-533-21	s	INDUCTOR 47uH
L1216 *1	1-412-533-21	s	INDUCTOR 47uH
L1217 *1	1-412-533-21	s	INDUCTOR 47uH
L1218 *1	1-412-533-21	s	INDUCTOR 47uH
L2103	1-412-533-21	s	INDUCTOR 47uH
Q200	8-729-905-18	s	TRANSISTOR DTC144EU
Q500	8-729-143-07	s	TRANSISTOR 2SA1610-Y33
Q700	8-729-106-68	s	TRANSISTOR 2SC1615A-GP
Q701	8-729-106-60	s	TRANSISTOR 2SB1115A
Q702	8-729-905-18	s	TRANSISTOR DTC144EU
Q1103	8-729-117-72	s	TRANSISTOR 2SC4178-F13
Q1105	8-729-117-72	s	TRANSISTOR 2SC4178-F13
Q1106	8-729-117-72	s	TRANSISTOR 2SC4178-F13
Q1203 *1	8-729-117-72	s	TRANSISTOR 2SC4178-F13
Q1305 *1	8-729-117-72	s	TRANSISTOR 2SC4178-F13
R100	1-216-049-00	s	METAL, CHIP 1.0K 5% 1/10W (2125)
R101-105	1-216-089-00	s	METAL, CHIP 47K 5% 1/10W (2125)
R106-108	1-216-057-00	s	METAL, CHIP 2.2K 5% 1/10W (2125)

## (SS-52 BOARD for DVW-500P)

Ref. No. or Q'ty	Part No.	SP	Description
R109-113	1-216-073-00	s	METAL, CHIP 10K 5% 1/10W (2125)
R114	1-216-057-00	s	METAL, CHIP 2.2K 5% 1/10W (2125)
R115	1-216-089-00	s	METAL, CHIP 47K 5% 1/10W (2125)
R116	1-216-073-00	s	METAL, CHIP 10K 5% 1/10W (2125)
R117-125	1-216-089-00	s	METAL, CHIP 47K 5% 1/10W (2125)
R128	1-216-089-00	s	METAL, CHIP 47K 5% 1/10W (2125)
R130	1-216-689-11	s	METAL, CHIP 39K 0.5% 1/10W (2125)
R131	1-208-811-11	s	METAL, CHIP 16K 0.5% 1/10W (2125)
R171	1-216-025-00	s	METAL, CHIP 100 5% 1/10W (2125)
R172	1-216-025-00	s	METAL, CHIP 100 5% 1/10W (2125)
R176-178	1-216-295-00	s	METAL, CHIP 0 (2125)
R179	1-216-073-00	s	METAL, CHIP 10K 5% 1/10W (2125)
R190	1-216-089-00	s	METAL, CHIP 47K 5% 1/10W (2125)
R200	1-216-073-00	s	METAL, CHIP 10K 5% 1/10W (2125)
R201-204	1-216-077-00	s	METAL, CHIP 15K 5% 1/10W (2125)
R205-208	1-216-089-00	s	METAL, CHIP 47K 5% 1/10W (2125)
R209	1-216-295-00	s	METAL, CHIP 0 (2125)
R210-212	1-216-089-00	s	METAL, CHIP 47K 5% 1/10W (2125)
R300-308	1-216-089-00	s	METAL, CHIP 47K 5% 1/10W (2125)
R324	1-216-033-00	s	METAL, CHIP 220 5% 1/10W (2125)
R325	1-216-295-00	s	METAL, CHIP 0 (2125)
R326	1-216-033-00	s	METAL, CHIP 220 5% 1/10W (2125)
R327	1-216-033-00	s	METAL, CHIP 220 5% 1/10W (2125)
R328	1-216-089-00	s	METAL, CHIP 47K 5% 1/10W (2125)
R332	1-216-047-00	s	METAL, CHIP 820 5% 1/10W (2125)
R333	1-216-097-00	s	METAL, CHIP 100K 5% 1/10W (2125)
R334	1-216-097-00	s	METAL, CHIP 100K 5% 1/10W (2125)
R339-341	1-216-097-00	s	METAL, CHIP 100K 5% 1/10W (2125)
R346-348	1-216-097-00	s	METAL, CHIP 100K 5% 1/10W (2125)
R358	1-216-047-00	s	METAL, CHIP 820 5% 1/10W (2125)
R359-401	1-216-089-00	s	METAL, CHIP 47K 5% 1/10W (2125)
R402	1-216-073-00	s	METAL, CHIP 10K 5% 1/10W (2125)
R403	1-216-089-00	s	METAL, CHIP 47K 5% 1/10W (2125)
R404	1-216-089-00	s	METAL, CHIP 47K 5% 1/10W (2125)
R405	1-216-073-00	s	METAL, CHIP 10K 5% 1/10W (2125)
R500	1-216-057-00	s	METAL, CHIP 2.2K 5% 1/10W (2125)
R501	1-216-057-00	s	METAL, CHIP 2.2K 5% 1/10W (2125)
R502	1-216-065-00	s	METAL, CHIP 4.7K 5% 1/10W (2125)
R503	1-216-065-00	s	METAL, CHIP 4.7K 5% 1/10W (2125)
R504	1-216-037-00	s	METAL, CHIP 330 5% 1/10W (2125)
R505	1-216-121-00	s	METAL, CHIP 1.0M 5% 1/10W (2125)
R506-512	1-216-089-00	s	METAL, CHIP 47K 5% 1/10W (2125)
R513	1-216-033-00	s	METAL, CHIP 220 5% 1/10W (2125)
R514	1-216-021-00	s	METAL, CHIP 68 5% 1/10W (2125)
R515	1-216-029-00	s	METAL, CHIP 150 5% 1/10W (2125)
R517-521	1-216-295-00	s	METAL, CHIP 0 (2125)
R523 *1	1-216-049-00	s	METAL, CHIP 1.0K 5% 1/10W (2125)
R532 *4	1-216-049-00	s	METAL, CHIP 1.0K 5% 1/10W (2125)
R600-602	1-216-065-00	s	METAL, CHIP 4.7K 5% 1/10W (2125)
R604	1-216-025-00	s	METAL, CHIP 100 5% 1/10W (2125)
R606 *3	1-216-295-00	s	METAL, CHIP 0 (2125)
R607	1-216-073-00	s	METAL, CHIP 10K 5% 1/10W (2125)
R608	1-216-077-00	s	METAL, CHIP 15K 5% 1/10W (2125)
R609	1-216-097-00	s	METAL, CHIP 100K 5% 1/10W (2125)
R610	1-216-077-00	s	METAL, CHIP 15K 5% 1/10W (2125)
R611	1-216-097-00	s	METAL, CHIP 100K 5% 1/10W (2125)

-----  
\*1: Board No. suffix 21 only  
\*3: Board No. suffix 21 or 22  
\*4: Board No. suffix 22 or higher



(SS-52 BOARD for DVW-500P)

(SS-52 BOARD for DVW-500P)

Ref. No. or Q'ty	Part No.	SP	Description
R612	1-216-077-00	s	METAL, CHIP 15K 5% 1/10W (2125)
R613	1-216-097-00	s	METAL, CHIP 100K 5% 1/10W (2125)
R614	1-216-077-00	s	METAL, CHIP 15K 5% 1/10W (2125)
R615	1-216-097-00	s	METAL, CHIP 100K 5% 1/10W (2125)
R616-618	1-216-073-00	s	METAL, CHIP 10K 5% 1/10W (2125)
R619	1-216-065-00	s	METAL, CHIP 4.7K 5% 1/10W (2125)
R620	1-216-077-00	s	METAL, CHIP 15K 5% 1/10W (2125)
R621	1-216-045-00	s	METAL, CHIP 680 5% 1/10W (2125)
R622	1-216-025-00	s	METAL, CHIP 100 5% 1/10W (2125)
R625	1-216-077-00	s	METAL, CHIP 15K 5% 1/10W (2125)
R626	1-216-077-00	s	METAL, CHIP 15K 5% 1/10W (2125)
R627	1-216-097-00	s	METAL, CHIP 100K 5% 1/10W (2125)
R628	1-216-097-00	s	METAL, CHIP 100K 5% 1/10W (2125)
R700-702	1-216-073-00	s	METAL, CHIP 10K 5% 1/10W (2125)
R703	1-216-097-00	s	METAL, CHIP 100K 5% 1/10W (2125)
R704	1-216-097-00	s	METAL, CHIP 100K 5% 1/10W (2125)
R705	1-216-085-00	s	METAL, CHIP 33K 5% 1/10W (2125)
R706	1-216-025-00	s	METAL, CHIP 100 5% 1/10W (2125)
R707	1-216-025-00	s	METAL, CHIP 100 5% 1/10W (2125)
R708	1-216-073-00	s	METAL, CHIP 10K 5% 1/10W (2125)
R709	1-216-295-00	s	METAL, CHIP 0 (2125)
R710	1-218-478-11	s	METAL, CHIP 330 5% 1/4W (3225)
R711	1-218-478-11	s	METAL, CHIP 330 5% 1/4W (3225)
R712	1-216-109-00	s	METAL, CHIP 330K 5% 1/10W (2125)
R713-715	1-216-073-00	s	METAL, CHIP 10K 5% 1/10W (2125)
R717	1-216-085-00	s	METAL, CHIP 33K 5% 1/10W (2125)
R718	1-216-109-00	s	METAL, CHIP 330K 5% 1/10W (2125)
R719-721	1-216-073-00	s	METAL, CHIP 10K 5% 1/10W (2125)
R722-724	1-216-089-00	s	METAL, CHIP 47K 5% 1/10W (2125)
R725-727	1-216-295-00	s	METAL, CHIP 0 (2125)
R728	1-216-073-00	s	METAL, CHIP 10K 5% 1/10W (2125)
R729	1-216-097-00	s	METAL, CHIP 100K 5% 1/10W (2125)
R731	1-216-089-00	s	METAL, CHIP 47K 5% 1/10W (2125)
R732	1-216-089-00	s	METAL, CHIP 47K 5% 1/10W (2125)
R733	1-216-025-00	s	METAL, CHIP 100 5% 1/10W (2125)
R734	1-216-025-00	s	METAL, CHIP 100 5% 1/10W (2125)
R735	1-216-073-00	s	METAL, CHIP 10K 5% 1/10W (2125)
R736	1-216-089-00	s	METAL, CHIP 47K 5% 1/10W (2125)
R737	1-216-114-00	s	METAL, CHIP 510K 5% 1/10W (2125)
R738	1-216-073-00	s	METAL, CHIP 10K 5% 1/10W (2125)
R739	1-216-049-00	s	METAL, CHIP 1.0K 5% 1/10W (2125)
R740	1-216-114-00	s	METAL, CHIP 510K 5% 1/10W (2125)
R741	1-216-049-00	s	METAL, CHIP 1.0K 5% 1/10W (2125)
R742	1-216-074-00	s	METAL, CHIP 11K 5% 1/10W (2125)
R743	1-216-074-00	s	METAL, CHIP 11K 5% 1/10W (2125)
R744	*4 1-216-049-00	s	METAL, CHIP 1.0K 5% 1/10W (2125)
R745	*4 1-216-073-00	s	METAL, CHIP 10K 5% 1/10W (2125)
R746	*4 1-216-089-00	s	METAL, CHIP 47K 5% 1/10W (2125)
R747	*4 1-216-073-00	s	METAL, CHIP 10K 5% 1/10W (2125)
R748	*4 1-216-089-00	s	METAL, CHIP 47K 5% 1/10W (2125)
R749	1-216-074-00	s	METAL, CHIP 11K 5% 1/10W (2125)
R750	1-216-073-00	s	METAL, CHIP 10K 5% 1/10W (2125)
R751	1-216-074-00	s	METAL, CHIP 11K 5% 1/10W (2125)
R752	1-216-073-00	s	METAL, CHIP 10K 5% 1/10W (2125)
R753	1-216-045-00	s	METAL, CHIP 680 5% 1/10W (2125)
R754	1-216-089-00	s	METAL, CHIP 47K 5% 1/10W (2125)

Ref. No. or Q'ty	Part No.	SP	Description
R755	*4 1-216-295-00	s	METAL, CHIP 0 (2125)
R800	1-216-001-00	s	METAL, CHIP 10 5% 1/10W (2125)
R801	1-216-295-00	s	METAL, CHIP 0 (2125)
R802-805	1-216-073-00	s	METAL, CHIP 10K 5% 1/10W (2125)
R806	1-216-025-00	s	METAL, CHIP 100 5% 1/10W (2125)
R807	1-216-073-00	s	METAL, CHIP 10K 5% 1/10W (2125)
R808	1-216-089-00	s	METAL, CHIP 47K 5% 1/10W (2125)
R809	1-216-089-00	s	METAL, CHIP 47K 5% 1/10W (2125)
R810	1-216-073-00	s	METAL, CHIP 10K 5% 1/10W (2125)
R811	1-216-061-00	s	METAL, CHIP 3.3K 5% 1/10W (2125)
R812	1-216-081-00	s	METAL, CHIP 22K 5% 1/10W (2125)
R813	1-216-081-00	s	METAL, CHIP 22K 5% 1/10W (2125)
R814	1-216-073-00	s	METAL, CHIP 10K 5% 1/10W (2125)
R815	1-216-057-00	s	METAL, CHIP 2.2K 5% 1/10W (2125)
R816	1-216-073-00	s	METAL, CHIP 10K 5% 1/10W (2125)
R817	1-216-057-00	s	METAL, CHIP 2.2K 5% 1/10W (2125)
R818	1-216-085-00	s	METAL, CHIP 33K 5% 1/10W (2125)
R819	1-216-109-00	s	METAL, CHIP 330K 5% 1/10W (2125)
R820	1-216-073-00	s	METAL, CHIP 10K 5% 1/10W (2125)
R821	1-216-073-00	s	METAL, CHIP 10K 5% 1/10W (2125)
R822	1-216-057-00	s	METAL, CHIP 2.2K 5% 1/10W (2125)
R823	1-216-057-00	s	METAL, CHIP 2.2K 5% 1/10W (2125)
R824	1-216-073-00	s	METAL, CHIP 10K 5% 1/10W (2125)
R825	1-216-295-00	s	METAL, CHIP 0 (2125)
R826	1-216-049-00	s	METAL, CHIP 1.0K 5% 1/10W (2125)
R827	1-216-037-00	s	METAL, CHIP 330 5% 1/10W (2125)
R828	*4 1-216-105-11	s	METAL, CHIP 220K 5% 1/10W (2125)
R829	1-216-073-00	s	METAL, CHIP 10K 5% 1/10W (2125)
R830	*4 1-216-105-11	s	METAL, CHIP 220K 5% 1/10W (2125)
R831	*4 1-216-085-00	s	METAL, CHIP 33K 5% 1/10W (2125)
R832-835	1-216-295-00	s	METAL, CHIP 0 (2125)
R836	1-216-025-00	s	METAL, CHIP 100 5% 1/10W (2125)
R837	1-216-065-00	s	METAL, CHIP 4.7K 5% 1/10W (2125)
R838	1-216-295-00	s	METAL, CHIP 0 (2125)
R839	1-216-295-00	s	METAL, CHIP 0 (2125)
R840	1-216-025-00	s	METAL, CHIP 100 5% 1/10W (2125)
R841	1-216-295-00	s	METAL, CHIP 0 (2125)
R842	1-216-025-00	s	METAL, CHIP 100 5% 1/10W (2125)
R843	1-216-295-00	s	METAL, CHIP 0 (2125)
R844	1-216-295-00	s	METAL, CHIP 0 (2125)
R845	1-216-081-00	s	METAL, CHIP 22K 5% 1/10W (2125)
R846	1-216-049-00	s	METAL, CHIP 1.0K 5% 1/10W (2125)
R847	1-216-081-00	s	METAL, CHIP 22K 5% 1/10W (2125)
R848	1-216-025-00	s	METAL, CHIP 100 5% 1/10W (2125)
R849	1-216-295-00	s	METAL, CHIP 0 (2125)
R850	1-216-025-00	s	METAL, CHIP 100 5% 1/10W (2125)
R851	1-216-025-00	s	METAL, CHIP 100 5% 1/10W (2125)
R852	1-216-049-00	s	METAL, CHIP 1.0K 5% 1/10W (2125)
R853-859	1-216-295-00	s	METAL, CHIP 0 (2125)
R861-865	1-216-295-00	s	METAL, CHIP 0 (2125)
R866	*4 1-216-081-00	s	METAL, CHIP 22K 5% 1/10W (2125)
R867	1-216-073-00	s	METAL, CHIP 10K 5% 1/10W (2125)
R868	1-216-097-00	s	METAL, CHIP 100K 5% 1/10W (2125)
R870	*4 1-216-295-00	s	METAL, CHIP 0 (2125)
R871	*4 1-216-073-00	s	METAL, CHIP 10K 5% 1/10W (2125)
R879	1-216-073-00	s	METAL, CHIP 10K 5% 1/10W (2125)

\*4: Board No. suffix 22 or higher

(SS-52 BOARD for DVW-500P)

(SS-52 BOARD for DVW-500P)

Ref. No. or Q'ty	Part No.	SP Description
R885	1-216-073-00	s METAL, CHIP 10K 5% 1/10W (2125)
R886	1-216-057-00	s METAL, CHIP 2.2K 5% 1/10W (2125)
R887-891	1-216-073-00	s METAL, CHIP 10K 5% 1/10W (2125)
R900	1-216-295-00	s METAL, CHIP 0 (2125)
R901	*4 1-216-295-00	s METAL, CHIP 0 (2125)
R902	*4 1-216-295-00	s METAL, CHIP 0 (2125)
R903	1-216-089-00	s METAL, CHIP 47K 5% 1/10W (2125)
R904	1-216-295-00	s METAL, CHIP 0 (2125)
R905-907	1-216-097-00	s METAL, CHIP 100K 5% 1/10W (2125)
R908	1-216-295-00	s METAL, CHIP 0 (2125)
R909	1-216-065-00	s METAL, CHIP 4.7K 5% 1/10W (2125)
R912	*5 1-216-073-00	s METAL, CHIP 10K 5% 1/10W (2125)
R913	*5 1-216-073-00	s METAL, CHIP 10K 5% 1/10W (2125)
R914	*5 1-216-073-00	s METAL, CHIP 10K 5% 1/10W (2125)
R928-934	1-216-295-00	s METAL, CHIP 0 (2125)
R1000	*4 1-216-089-00	s METAL, CHIP 47K 5% 1/10W (2125)
R1001	1-216-033-00	s METAL, CHIP 220 5% 1/10W (2125)
R1002	1-216-295-00	s METAL, CHIP 0 (2125)
R1028	1-216-045-00	s METAL, CHIP 680 5% 1/10W (2125)
R1030	1-216-045-00	s METAL, CHIP 680 5% 1/10W (2125)
R1100	1-216-069-00	s METAL, CHIP 6.8K 5% 1/10W (2125)
R1101	1-216-033-00	s METAL, CHIP 220 5% 1/10W (2125)
R1102	1-216-033-00	s METAL, CHIP 220 5% 1/10W (2125)
R1103	1-216-045-00	s METAL, CHIP 680 5% 1/10W (2125)
R1104	1-216-045-00	s METAL, CHIP 680 5% 1/10W (2125)
R1105	1-216-029-00	s METAL, CHIP 150 5% 1/10W (2125)
R1106	1-216-047-00	s METAL, CHIP 820 5% 1/10W (2125)
R1107	1-216-033-00	s METAL, CHIP 220 5% 1/10W (2125)
R1108	1-216-033-00	s METAL, CHIP 220 5% 1/10W (2125)
R1109	*4 1-216-049-00	s METAL, CHIP 1.0K 5% 1/10W (2125)
R1110	*4 1-216-069-00	s METAL, CHIP 6.8K 5% 1/10W (2125)
R1111	*4 1-216-025-00	s METAL, CHIP 100 5% 1/10W (2125)
R1112	*4 1-216-093-00	s METAL, CHIP 68K 5% 1/10W (2125)
R1113	*4 1-216-689-11	s METAL, CHIP 39K 0.5% 1/10W (2125)
R1133	1-216-049-00	s METAL, CHIP 1.0K 5% 1/10W (2125)
R1134	1-216-073-00	s METAL, CHIP 10K 5% 1/10W (2125)
R1135	1-216-075-00	s METAL, CHIP 12K 5% 1/10W (2125)
R1136	1-216-057-00	s METAL, CHIP 2.2K 5% 1/10W (2125)
R1137	1-216-049-00	s METAL, CHIP 1.0K 5% 1/10W (2125)
R1142	1-216-067-00	s METAL, CHIP 5.6K 5% 1/10W (2125)
R1143	1-216-073-00	s METAL, CHIP 10K 5% 1/10W (2125)
R1145	1-216-065-00	s METAL, CHIP 4.7K 5% 1/10W (2125)
R1146	*4 1-216-049-00	s METAL, CHIP 1.0K 5% 1/10W (2125)
	*1 1-216-057-00	s METAL, CHIP 2.2K 5% 1/10W (2125)
R1147	1-216-025-00	s METAL, CHIP 100 5% 1/10W (2125)
R1149	1-216-025-00	s METAL, CHIP 100 5% 1/10W (2125)
R1151	1-216-073-00	s METAL, CHIP 10K 5% 1/10W (2125)
R1154	1-216-041-00	s METAL, CHIP 470 5% 1/10W (2125)
R1155	1-216-049-00	s METAL, CHIP 1.0K 5% 1/10W (2125)
R1158	1-216-066-00	s METAL, CHIP 5.1K 5% 1/10W (2125)
R1159	1-216-013-00	s METAL, CHIP 33 5% 1/10W (2125)
R1160	1-216-057-00	s METAL, CHIP 2.2K 5% 1/10W (2125)
R1161	1-216-053-00	s METAL, CHIP 1.5K 5% 1/10W (2125)
R1162	1-216-059-00	s METAL, CHIP 2.7K 5% 1/10W (2125)
R1163	1-216-061-00	s METAL, CHIP 3.3K 5% 1/10W (2125)
R1164	1-216-043-00	s METAL, CHIP 560 5% 1/10W (2125)

Ref. No. or Q'ty	Part No.	SP Description
R1165	1-216-043-00	s METAL, CHIP 560 5% 1/10W (2125)
R1166	1-216-061-00	s METAL, CHIP 3.3K 5% 1/10W (2125)
R1167	1-216-061-00	s METAL, CHIP 3.3K 5% 1/10W (2125)
R1168	1-216-061-00	s METAL, CHIP 3.3K 5% 1/10W (2125)
R1169	1-216-069-00	s METAL, CHIP 6.8K 5% 1/10W (2125)
R1170	1-216-073-00	s METAL, CHIP 10K 5% 1/10W (2125)
R1171	1-216-061-00	s METAL, CHIP 3.3K 5% 1/10W (2125)
R1172	1-216-049-00	s METAL, CHIP 1.0K 5% 1/10W (2125)
R1173	1-216-049-00	s METAL, CHIP 1.0K 5% 1/10W (2125)
R1174	1-216-045-00	s METAL, CHIP 680 5% 1/10W (2125)
R1175	1-216-073-00	s METAL, CHIP 10K 5% 1/10W (2125)
R1176	1-216-073-00	s METAL, CHIP 10K 5% 1/10W (2125)
R1177	1-216-051-00	s METAL, CHIP 1.2K 5% 1/10W (2125)
R1178	1-216-051-00	s METAL, CHIP 1.2K 5% 1/10W (2125)
R1179	1-216-051-00	s METAL, CHIP 1.2K 5% 1/10W (2125)
R1180	*4 1-216-063-00	s METAL, CHIP 3.9K 5% 1/10W (2125)
	*1 1-216-065-00	s METAL, CHIP 4.7K 5% 1/10W (2125)
R1181	*4 1-216-029-00	s METAL, CHIP 150 5% 1/10W (2125)
	*1 1-216-025-00	s METAL, CHIP 100 5% 1/10W (2125)
R1182	*4 1-216-039-00	s METAL, CHIP 390 5% 1/10W (2125)
	*1 1-216-033-00	s METAL, CHIP 220 5% 1/10W (2125)
R1183	*4 1-216-039-00	s METAL, CHIP 390 5% 1/10W (2125)
	*1 1-216-033-00	s METAL, CHIP 220 5% 1/10W (2125)
R1187	1-216-049-00	s METAL, CHIP 1.0K 5% 1/10W (2125)
R1200	*1 1-216-069-00	s METAL, CHIP 6.8K 5% 1/10W (2125)
R1201	*1 1-216-017-00	s METAL, CHIP 47 5% 1/10W (2125)
R1202	*1 1-216-017-00	s METAL, CHIP 47 5% 1/10W (2125)
R1203	*1 1-216-045-00	s METAL, CHIP 680 5% 1/10W (2125)
R1204	*1 1-216-045-00	s METAL, CHIP 680 5% 1/10W (2125)
R1205	*1 1-216-029-00	s METAL, CHIP 150 5% 1/10W (2125)
R1206	*1 1-216-047-00	s METAL, CHIP 820 5% 1/10W (2125)
R1207	*1 1-216-033-00	s METAL, CHIP 220 5% 1/10W (2125)
R1208	*1 1-216-033-00	s METAL, CHIP 220 5% 1/10W (2125)
R1233	*1 1-216-049-00	s METAL, CHIP 1.0K 5% 1/10W (2125)
R1234	*1 1-216-073-00	s METAL, CHIP 10K 5% 1/10W (2125)
R1235	*1 1-216-075-00	s METAL, CHIP 12K 5% 1/10W (2125)
R1236	*1 1-216-057-00	s METAL, CHIP 2.2K 5% 1/10W (2125)
R1237	*1 1-216-049-00	s METAL, CHIP 1.0K 5% 1/10W (2125)
R1242	*1 1-216-069-00	s METAL, CHIP 6.8K 5% 1/10W (2125)
R1243	*1 1-216-073-00	s METAL, CHIP 10K 5% 1/10W (2125)
R1244	*1 1-216-117-00	s METAL, CHIP 680K 5% 1/10W (2125)
R1245	*1 1-216-065-00	s METAL, CHIP 4.7K 5% 1/10W (2125)
R1246	*1 1-216-023-00	s METAL, CHIP 82 5% 1/10W (2125)
R1247	*1 1-216-025-00	s METAL, CHIP 100 5% 1/10W (2125)
R1249	*1 1-216-025-00	s METAL, CHIP 100 5% 1/10W (2125)
R1250	*1 1-216-105-11	s METAL, CHIP 220K 5% 1/10W (2125)
R1281	*1 1-216-039-00	s METAL, CHIP 390 5% 1/10W (2125)
R1282	*1 1-216-033-00	s METAL, CHIP 220 5% 1/10W (2125)
R1283	*1 1-216-033-00	s METAL, CHIP 220 5% 1/10W (2125)
R1287	*1 1-216-049-00	s METAL, CHIP 1.0K 5% 1/10W (2125)
R2100	1-216-073-00	s METAL, CHIP 10K 5% 1/10W (2125)
R2101	1-216-073-00	s METAL, CHIP 10K 5% 1/10W (2125)
R2102	1-216-089-00	s METAL, CHIP 47K 5% 1/10W (2125)
R2103	1-216-089-00	s METAL, CHIP 47K 5% 1/10W (2125)

-----  
 \*1: Board No. suffix 21 only  
 \*4: Board No. suffix 22 or higher  
 \*5: Board No. suffix 23 or higher

## (SS-52 BOARD for DVW-500P)

Ref. No. or Q'ty	Part No.	SP	Description
R2104	1-216-081-00	s	METAL, CHIP 22K 5% 1/10W (2125)
R2105	1-216-081-00	s	METAL, CHIP 22K 5% 1/10W (2125)
R2106	1-216-089-00	s	METAL, CHIP 47K 5% 1/10W (2125)
R2107	1-216-089-00	s	METAL, CHIP 47K 5% 1/10W (2125)
R2108	1-216-089-00	s	METAL, CHIP 47K 5% 1/10W (2125)
R2109	1-216-073-00	s	METAL, CHIP 10K 5% 1/10W (2125)
R2110	1-216-073-00	s	METAL, CHIP 10K 5% 1/10W (2125)
R2111	1-216-073-00	s	METAL, CHIP 10K 5% 1/10W (2125)
R2112	1-216-073-00	s	METAL, CHIP 10K 5% 1/10W (2125)
R2113	1-216-073-00	s	METAL, CHIP 10K 5% 1/10W (2125)
R2114	1-216-049-00	s	METAL, CHIP 1.0K 5% 1/10W (2125)
R2116	1-216-089-00	s	METAL, CHIP 47K 5% 1/10W (2125)
R2117	1-216-049-00	s	METAL, CHIP 1.0K 5% 1/10W (2125)
R2118 *1	1-216-097-00	s	METAL, CHIP 100K 5% 1/10W (2125)
R2119	1-216-049-00	s	METAL, CHIP 1.0K 5% 1/10W (2125)
R2120 *1	1-216-073-00	s	METAL, CHIP 10K 5% 1/10W (2125)
R2121 *1	1-216-097-00	s	METAL, CHIP 100K 5% 1/10W (2125)
R2122	1-216-049-00	s	METAL, CHIP 1.0K 5% 1/10W (2125)
R2123	1-216-049-00	s	METAL, CHIP 1.0K 5% 1/10W (2125)
R2125	1-216-073-00	s	METAL, CHIP 10K 5% 1/10W (2125)
R2126	1-216-073-00	s	METAL, CHIP 10K 5% 1/10W (2125)
R2127	1-216-089-00	s	METAL, CHIP 47K 5% 1/10W (2125)
R2128	1-216-047-00	s	METAL, CHIP 820 5% 1/10W (2125)
R2129-2134	1-216-073-00	s	METAL, CHIP 10K 5% 1/10W (2125)
R2135	1-216-089-00	s	METAL, CHIP 47K 5% 1/10W (2125)
R2136	1-216-089-00	s	METAL, CHIP 47K 5% 1/10W (2125)
R2137	1-216-049-00	s	METAL, CHIP 1.0K 5% 1/10W (2125)
R2138	1-216-089-00	s	METAL, CHIP 47K 5% 1/10W (2125)
R2139	1-216-073-00	s	METAL, CHIP 10K 5% 1/10W (2125)
R2140	1-216-073-00	s	METAL, CHIP 10K 5% 1/10W (2125)
R2141	1-216-089-00	s	METAL, CHIP 47K 5% 1/10W (2125)
R2142	1-216-049-00	s	METAL, CHIP 1.0K 5% 1/10W (2125)
R2143	1-216-037-00	s	METAL, CHIP 330 5% 1/10W (2125)
R2173	1-216-073-00	s	METAL, CHIP 10K 5% 1/10W (2125)
R2200	1-216-089-00	s	METAL, CHIP 47K 5% 1/10W (2125)
R2201	1-216-089-00	s	METAL, CHIP 47K 5% 1/10W (2125)
R2202	1-216-089-00	s	METAL, CHIP 47K 5% 1/10W (2125)
R2203	1-216-037-00	s	METAL, CHIP 330 5% 1/10W (2125)
R2204	1-216-089-00	s	METAL, CHIP 47K 5% 1/10W (2125)
R2205	1-216-089-00	s	METAL, CHIP 47K 5% 1/10W (2125)
R2206	1-216-049-00	s	METAL, CHIP 1.0K 5% 1/10W (2125)
R2207	1-216-049-00	s	METAL, CHIP 1.0K 5% 1/10W (2125)
R2208	1-216-049-00	s	METAL, CHIP 1.0K 5% 1/10W (2125)
R2209	1-216-049-00	s	METAL, CHIP 1.0K 5% 1/10W (2125)
R2210	1-216-049-00	s	METAL, CHIP 1.0K 5% 1/10W (2125)
R2214	1-216-049-00	s	METAL, CHIP 1.0K 5% 1/10W (2125)
R2215	1-216-049-00	s	METAL, CHIP 1.0K 5% 1/10W (2125)
R2219	1-216-049-00	s	METAL, CHIP 1.0K 5% 1/10W (2125)
R2220	1-216-049-00	s	METAL, CHIP 1.0K 5% 1/10W (2125)
R2224	1-216-049-00	s	METAL, CHIP 1.0K 5% 1/10W (2125)
R2225	1-216-073-00	s	METAL, CHIP 10K 5% 1/10W (2125)
R2226	1-216-085-00	s	METAL, CHIP 33K 5% 1/10W (2125)
R2227	1-216-073-00	s	METAL, CHIP 10K 5% 1/10W (2125)
R2228	1-216-092-00	s	METAL, CHIP 62K 5% 1/10W (2125)
R2229	1-216-055-00	s	METAL, CHIP 1.8K 5% 1/10W (2125)

\*1: Board No. suffix 21 only

## (SS-52 BOARD for DVW-500P)

Ref. No. or Q'ty	Part No.	SP	Description
R2230	1-216-073-00	s	METAL, CHIP 10K 5% 1/10W (2125)
R2231	1-216-073-00	s	METAL, CHIP 10K 5% 1/10W (2125)
R2232	1-216-061-00	s	METAL, CHIP 3.3K 5% 1/10W (2125)
R2300	1-216-089-00	s	METAL, CHIP 47K 5% 1/10W (2125)
R2301	1-216-089-00	s	METAL, CHIP 47K 5% 1/10W (2125)
R2303	1-216-025-00	s	METAL, CHIP 100 5% 1/10W (2125)
R2304	1-216-675-11	s	METAL, CHIP 10K 0.5% 1/10W (2125)
R2305	1-216-675-11	s	METAL, CHIP 10K 0.5% 1/10W (2125)
R2306	1-216-675-11	s	METAL, CHIP 10K 0.5% 1/10W (2125)
R2307	1-216-085-00	s	METAL, CHIP 33K 5% 1/10W (2125)
R2308	1-216-667-11	s	METAL, CHIP 4.7K 0.5% 1/10W (2125)
R2309	1-216-097-00	s	METAL, CHIP 100K 5% 1/10W (2125)
R2311	1-216-675-11	s	METAL, CHIP 10K 0.5% 1/10W (2125)
R2312	1-216-091-00	s	METAL, CHIP 56K 5% 1/10W (2125)
R2313	1-216-097-00	s	METAL, CHIP 100K 5% 1/10W (2125)
R2315	1-216-667-11	s	METAL, CHIP 4.7K 0.5% 1/10W (2125)
R2316	1-216-689-11	s	METAL, CHIP 39K 0.5% 1/10W (2125)
R2317	1-216-689-11	s	METAL, CHIP 39K 0.5% 1/10W (2125)
R2318	1-216-675-11	s	METAL, CHIP 10K 0.5% 1/10W (2125)
R2319	1-216-049-00	s	METAL, CHIP 1.0K 5% 1/10W (2125)
R2320	1-216-049-00	s	METAL, CHIP 1.0K 5% 1/10W (2125)
R2322	1-216-049-00	s	METAL, CHIP 1.0K 5% 1/10W (2125)
R2323	1-216-073-00	s	METAL, CHIP 10K 5% 1/10W (2125)
R2324	1-216-089-00	s	METAL, CHIP 47K 5% 1/10W (2125)
R2325	1-216-049-00	s	METAL, CHIP 1.0K 5% 1/10W (2125)
R2326	1-216-074-00	s	METAL, CHIP 11K 5% 1/10W (2125)
R2327	1-216-059-00	s	METAL, CHIP 2.7K 5% 1/10W (2125)
R2328	1-216-105-11	s	METAL, CHIP 220K 5% 1/10W (2125)
R2329	1-216-073-00	s	METAL, CHIP 10K 5% 1/10W (2125)
R2330	1-216-049-00	s	METAL, CHIP 1.0K 5% 1/10W (2125)
R2331	1-216-089-00	s	METAL, CHIP 47K 5% 1/10W (2125)
R2332	1-216-073-00	s	METAL, CHIP 10K 5% 1/10W (2125)
R2333	1-216-049-00	s	METAL, CHIP 1.0K 5% 1/10W (2125)
R2334	1-216-059-00	s	METAL, CHIP 2.7K 5% 1/10W (2125)
R2335	1-216-105-11	s	METAL, CHIP 220K 5% 1/10W (2125)
R2340	1-216-073-00	s	METAL, CHIP 10K 5% 1/10W (2125)
R2341	1-216-073-00	s	METAL, CHIP 10K 5% 1/10W (2125)
R2342	1-216-073-00	s	METAL, CHIP 10K 5% 1/10W (2125)
R2344	1-216-073-00	s	METAL, CHIP 10K 5% 1/10W (2125)
R2345	1-216-097-00	s	METAL, CHIP 100K 5% 1/10W (2125)
R2346	1-216-073-00	s	METAL, CHIP 10K 5% 1/10W (2125)
R2347	1-216-049-00	s	METAL, CHIP 1.0K 5% 1/10W (2125)
R2348	1-208-812-11	s	METAL, CHIP 18K 0.5% 1/10W (2125)
R2349	1-216-677-11	s	METAL, CHIP 12K 0.5% 1/10W (2125)
R2350	1-208-812-11	s	METAL, CHIP 18K 0.5% 1/10W (2125)
R2351	1-216-688-11	s	METAL, CHIP 36K 0.5% 1/10W (2125)
R2352	1-216-065-00	s	METAL, CHIP 4.7K 5% 1/10W (2125)
R2354	1-216-025-00	s	METAL, CHIP 100 5% 1/10W (2125)
R2355	1-216-667-11	s	METAL, CHIP 4.7K 0.5% 1/10W (2125)
R2356	1-216-689-11	s	METAL, CHIP 39K 0.5% 1/10W (2125)
R2400	1-216-097-00	s	METAL, CHIP 100K 5% 1/10W (2125)
R2402	1-216-097-00	s	METAL, CHIP 100K 5% 1/10W (2125)
R2404	1-216-049-00	s	METAL, CHIP 1.0K 5% 1/10W (2125)
R2405	1-216-049-00	s	METAL, CHIP 1.0K 5% 1/10W (2125)
R2406	1-216-089-00	s	METAL, CHIP 47K 5% 1/10W (2125)
R2500	1-216-687-11	s	METAL, CHIP 33K 0.5% 1/10W (2125)

## (SS-52 BOARD for DVW-500P)

Ref. No. or Q'ty	Part No.	SP	Description
R2501	1-216-687-11	s	METAL, CHIP 33K 0.5% 1/10W (2125)
R2502	1-216-675-11	s	METAL, CHIP 10K 0.5% 1/10W (2125)
R2503	1-216-675-11	s	METAL, CHIP 10K 0.5% 1/10W (2125)
R2504	1-216-675-11	s	METAL, CHIP 10K 0.5% 1/10W (2125)
R2505	1-216-675-11	s	METAL, CHIP 10K 0.5% 1/10W (2125)
R2506	1-216-651-11	s	METAL, CHIP 1.0K 0.5% 1/10W
R2507	1-216-651-11	s	METAL, CHIP 1.0K 0.5% 1/10W
R2508	1-216-689-11	s	METAL, CHIP 39K 0.5% 1/10W (2125)
R2509	1-216-689-11	s	METAL, CHIP 39K 0.5% 1/10W (2125)
R2510	1-218-758-11	s	METAL, CHIP 180K 0.5% 1/10W
R2511	1-218-758-11	s	METAL, CHIP 180K 0.5% 1/10W
R2512	1-216-663-11	s	METAL, CHIP 3.3K 0.5% 1/10W
R2513	1-216-663-11	s	METAL, CHIP 3.3K 0.5% 1/10W
R2514	1-216-694-11	s	METAL, CHIP 62K 0.5% 1/10W (2125)
R2515	1-216-665-11	s	METAL, CHIP 3.9K 0.5% 1/10W
R2516	1-216-694-11	s	METAL, CHIP 62K 0.5% 1/10W (2125)
R2517	1-216-665-11	s	METAL, CHIP 3.9K 0.5% 1/10W
R2518	1-216-692-11	s	METAL, CHIP 51K 0.5% 1/10W (2125)
R2519	1-216-692-11	s	METAL, CHIP 51K 0.5% 1/10W (2125)
R2520	1-216-295-00	s	METAL, CHIP 0 (2125)
R2521	1-218-756-11	s	METAL, CHIP 150K 0.5% 1/10W
R2522	1-216-651-11	s	METAL, CHIP 1.0K 0.5% 1/10W
R2523	1-216-661-11	s	METAL, CHIP 1.0K 0.5% 1/10W
R2524	1-216-667-11	s	METAL, CHIP 4.7K 0.5% 1/10W
R2526	1-216-073-00	s	METAL, CHIP 10K 5% 1/10W (2125)
R2527	1-216-073-00	s	METAL, CHIP 10K 5% 1/10W (2125)
R2528-2535	1-216-687-11	s	METAL, CHIP 33K 0.5% 1/10W (2125)
R2536	1-216-675-11	s	METAL, CHIP 10K 0.5% 1/10W (2125)
R2537	1-216-675-11	s	METAL, CHIP 10K 0.5% 1/10W
R2538	1-216-675-11	s	METAL, CHIP 10K 0.5% 1/10W (2125)
R2539	1-216-675-11	s	METAL, CHIP 10K 0.5% 1/10W (2125)
R2540	1-216-687-11	s	METAL, CHIP 33K 0.5% 1/10W (2125)
R2541	1-216-687-11	s	METAL, CHIP 33K 0.5% 1/10W (2125)
R2542	1-216-687-11	s	METAL, CHIP 33K 0.5% 1/10W
R2543	1-216-687-11	s	METAL, CHIP 33K 0.5% 1/10W (2125)
R2544	1-216-073-00	s	METAL, CHIP 10K 5% 1/10W (2125)
R2545	1-216-089-00	s	METAL, CHIP 47K 5% 1/10W (2125)
R2546	1-216-655-11	s	METAL, CHIP 1.5K 0.5% 1/10W
R2547	1-218-756-11	s	METAL, CHIP 150K 0.5% 1/10W
R2548	1-216-687-11	s	METAL, CHIP 33K 0.5% 1/10W
R2549	1-216-687-11	s	METAL, CHIP 33K 0.5% 1/10W (2125)
R2550	1-218-776-11	s	METAL, CHIP 1.0M 0.5% 1/10W
R2551	1-216-687-11	s	METAL, CHIP 33K 0.5% 1/10W (2125)
R2552	1-216-687-11	s	METAL, CHIP 33K 0.5% 1/10W (2125)
R2553	1-216-073-00	s	METAL, CHIP 10K 5% 1/10W (2125)
R2554	1-216-089-00	s	METAL, CHIP 47K 5% 1/10W (2125)
R2700	1-216-089-00	s	METAL, CHIP 47K 5% 1/10W (2125)
R2701	1-216-089-00	s	METAL, CHIP 47K 5% 1/10W (2125)
R2703	1-216-025-00	s	METAL, CHIP 100 5% 1/10W (2125)
R2704	1-216-675-11	s	METAL, CHIP 10K 0.5% 1/10W
R2705	1-216-675-11	s	METAL, CHIP 10K 0.5% 1/10W (2125)
R2706	1-216-675-11	s	METAL, CHIP 10K 0.5% 1/10W (2125)
R2708	1-216-085-00	s	METAL, CHIP 33K 5% 1/10W (2125)
R2709	1-216-667-11	s	METAL, CHIP 4.7K 0.5% 1/10W
R2710	1-216-097-00	s	METAL, CHIP 100K 5% 1/10W (2125)

## (SS-52 BOARD for DVW-500P)

Ref. No. or Q'ty	Part No.	SP	Description
R2711	1-216-675-11	s	METAL, CHIP 10K 0.5% 1/10W (2125)
R2712	1-216-091-00	s	METAL, CHIP 56K 5% 1/10W (2125)
R2713	1-216-097-00	s	METAL, CHIP 100K 5% 1/10W (2125)
R2715	1-216-667-11	s	METAL, CHIP 4.7K 0.5% 1/10W (2125)
R2716	1-216-689-11	s	METAL, CHIP 39K 0.5% 1/10W (2125)
R2717	1-216-689-11	s	METAL, CHIP 39K 0.5% 1/10W (2125)
R2718	1-216-675-11	s	METAL, CHIP 10K 0.5% 1/10W (2125)
R2719	1-216-049-00	s	METAL, CHIP 1.0K 5% 1/10W (2125)
R2720	1-216-049-00	s	METAL, CHIP 1.0K 5% 1/10W (2125)
R2722	1-216-049-00	s	METAL, CHIP 1.0K 5% 1/10W (2125)
R2723	1-216-073-00	s	METAL, CHIP 10K 5% 1/10W (2125)
R2724	1-216-089-00	s	METAL, CHIP 47K 5% 1/10W (2125)
R2725	1-216-049-00	s	METAL, CHIP 1.0K 5% 1/10W (2125)
R2726	1-216-074-00	s	METAL, CHIP 11K 5% 1/10W (2125)
R2727	1-216-059-00	s	METAL, CHIP 2.7K 5% 1/10W (2125)
R2728	1-216-105-11	s	METAL, CHIP 220K 5% 1/10W (2125)
R2729	1-216-073-00	s	METAL, CHIP 10K 5% 1/10W (2125)
R2730	1-216-049-00	s	METAL, CHIP 1.0K 5% 1/10W (2125)
R2731	1-216-089-00	s	METAL, CHIP 47K 5% 1/10W (2125)
R2732	1-216-073-00	s	METAL, CHIP 10K 5% 1/10W (2125)
R2733	1-216-049-00	s	METAL, CHIP 1.0K 5% 1/10W (2125)
R2734	1-216-059-00	s	METAL, CHIP 2.7K 5% 1/10W (2125)
R2735	1-216-105-11	s	METAL, CHIP 220K 5% 1/10W (2125)
R2740	1-216-073-00	s	METAL, CHIP 10K 5% 1/10W (2125)
R2741	1-216-073-00	s	METAL, CHIP 10K 5% 1/10W (2125)
R2743	1-216-073-00	s	METAL, CHIP 10K 5% 1/10W (2125)
R2744	1-216-049-00	s	METAL, CHIP 1.0K 5% 1/10W (2125)
R2745	1-216-073-00	s	METAL, CHIP 10K 5% 1/10W (2125)
R2746	1-208-812-11	s	METAL, CHIP 18K 0.5% 1/10W (2125)
R2747	1-216-097-00	s	METAL, CHIP 100K 5% 1/10W (2125)
R2748	1-216-073-00	s	METAL, CHIP 10K 5% 1/10W (2125)
R2749	1-216-677-11	s	METAL, CHIP 12K 0.5% 1/10W (2125)
R2750	1-208-812-11	s	METAL, CHIP 18K 0.5% 1/10W (2125)
R2751	1-216-688-11	s	METAL, CHIP 36K 0.5% 1/10W (2125)
R2752	1-216-065-00	s	METAL, CHIP 4.7K 5% 1/10W (2125)
R2754	1-216-073-00	s	METAL, CHIP 10K 5% 1/10W (2125)
R2755	1-216-080-00	s	METAL, CHIP 20K 5% 1/10W (2125)
R3000	1-216-689-11	s	METAL, CHIP 39K 0.5% 1/10W (2125)
R3001-3003	*4 1-216-073-00	s	METAL, CHIP 10K 5% 1/10W (2125)
	*1 1-249-429-11	s	CARBON 10K 5% 1/4W
R3004	*4 1-216-065-00	s	METAL, CHIP 4.7K 5% 1/10W (2125)
	*1 1-249-425-11	s	CARBON 4.7K 5% 1/4W
R3005	*4 1-216-065-00	s	METAL, CHIP 4.7K 5% 1/10W (2125)
	*1 1-249-425-11	s	CARBON 4.7K 5% 1/4W
R3006	*4 1-216-121-00	s	METAL, CHIP 1.0M 5% 1/10W (2125)
	*1 1-247-903-00	s	CARBON 1.0M 5% 1/4W
R3007	*4 1-216-121-00	s	METAL, CHIP 1.0M 5% 1/10W (2125)
	*1 1-259-880-11	s	CARBON 2.2M 5% 1/4W
R3008	*4 1-216-073-00	s	METAL, CHIP 10K 5% 1/10W (2125)
	*1 1-249-429-11	s	CARBON 10K 5% 1/4W
R3009	*1 1-249-429-11	s	CARBON 10K 5% 1/4W
R3010	*1 1-249-429-11	s	CARBON 10K 5% 1/4W

\*1: Board No. suffix 21 only  
\*4: Board No. suffix 22 or higher

(SS-52 BOARD for DVW-500P)

Ref. No. or Q'ty	Part No.	SP	Description
RB100	1-239-308-11	s	RESISTOR BLOCK, CHIP 47Kx8
RB101	1-239-308-11	s	RESISTOR BLOCK, CHIP 47Kx8
RB103	1-239-308-11	s	RESISTOR BLOCK, CHIP 47Kx8
RB105	1-239-464-11	s	RESISTOR BLOCK, CHIP 2.2Kx8
RB106	1-239-464-11	s	RESISTOR BLOCK, CHIP 2.2Kx8
RB107	1-239-464-11	s	RESISTOR BLOCK, CHIP 2.2Kx8
RB109	1-239-308-11	s	RESISTOR BLOCK, CHIP 47Kx8
RB110	1-239-308-11	s	RESISTOR BLOCK, CHIP 47Kx8
RB300	1-239-308-11	s	RESISTOR BLOCK, CHIP 47Kx8
RB301	1-239-308-11	s	RESISTOR BLOCK, CHIP 47Kx8
RB302	1-239-308-11	s	RESISTOR BLOCK, CHIP 47Kx8
RB304	1-239-308-11	s	RESISTOR BLOCK, CHIP 47Kx8
RB305	1-239-308-11	s	RESISTOR BLOCK, CHIP 47Kx8
RB306	1-239-308-11	s	RESISTOR BLOCK, CHIP 47Kx8
RB307	1-239-308-11	s	RESISTOR BLOCK, CHIP 47Kx8
RB600	1-239-464-11	s	RESISTOR BLOCK, CHIP 2.2Kx8
RB700	1-239-308-11	s	RESISTOR BLOCK, CHIP 47Kx8
RB701	1-239-308-11	s	RESISTOR BLOCK, CHIP 47Kx8
RB800	1-236-904-11	s	RES, NETWORK, CHIP 1Kx4
RB802	1-239-412-11	s	RES, NETWORK, CHIP 100x4
RB803	1-236-904-11	s	RES, NETWORK, CHIP 1Kx4
RB804	1-239-306-11	s	RESISTOR BLOCK, CHIP 10Kx8
RB805	1-236-904-11	s	RES, NETWORK, CHIP 1Kx4
RB806	1-236-904-11	s	RES, NETWORK, CHIP 1Kx4
RB807	1-236-904-11	s	RES, NETWORK, CHIP 1Kx4
RB808	1-236-904-11	s	RES, NETWORK, CHIP 1Kx4
RB809	1-239-306-11	s	RESISTOR BLOCK, CHIP 10Kx8
RB810	1-239-412-11	s	RES, NETWORK, CHIP 100x4
RB901	1-236-904-11	s	RES, NETWORK, CHIP 1Kx4
RB902	1-236-904-11	s	RES, NETWORK, CHIP 1Kx4
RB903	1-236-908-11	s	RES, NETWORK, CHIP 10Kx4
RB2100	1-239-419-11	s	RES, NETWORK, CHIP 470x4
RB2101	1-239-419-11	s	RES, NETWORK, CHIP 470x4
RB2102	1-239-419-11	s	RES, NETWORK, CHIP 470x4
RB2103	1-239-419-11	s	RES, NETWORK, CHIP 470x4
RB2104	1-239-308-11	s	RESISTOR BLOCK, CHIP 47Kx8
RB2105	1-239-308-11	s	RESISTOR BLOCK, CHIP 47Kx8
RB2106	1-239-308-11	s	RESISTOR BLOCK, CHIP 47Kx8
RB2107	1-239-308-11	s	RESISTOR BLOCK, CHIP 47Kx8
RV700	1-241-785-11	s	RES, ADJ, CERMET 10K
S100	1-692-536-11	s	SWITCH, DIP 8-CKT
S102	1-692-535-11	s	SWITCH, DIP 4-CKT
S300-302	1-572-473-11	s	SWITCH, PUSH
S303	1-692-535-11	s	SWITCH, DIP 4-CKT
S700	1-572-473-11	s	SWITCH, PUSH
S701	1-692-536-11	s	SWITCH, DIP 8-CKT
S2100	1-572-473-11	s	SWITCH, PUSH
S2101	1-692-536-11	s	SWITCH, DIP 8-CKT
X3	1-760-075-21	s	RESONATOR, CERAMIC 2.4570 MHz
X4	1-760-014-11	s	RESONATOR, CERAMIC 20.0 MHz
X500	1-579-993-21	s	CRYSTAL 13.50 MHz
X501	1-579-995-21	s	CRYSTAL 17.734475 MHz
X600	1-579-930-12	s	RESONATOR, CERAMIC 16.0 MHz
X700	1-579-996-21	s	RESONATOR, CERAMIC 20.0 MHz
X800	1-579-996-21	s	RESONATOR, CERAMIC 20.0 MHz

(SS-52 BOARD for DVW-500P)

Ref. No. or Q'ty	Part No.	SP	Description
X2100	1-579-996-21	s	RESONATOR, CERAMIC 20.0 MHz
X2200	1-579-996-21	s	RESONATOR, CERAMIC 20.0 MHz

-----  
 SS-52A BOARD for DVW-A500P  
 -----

Ref. No. or Q'ty	Part No.	SP Description
1pc	A-8275-073-A	o MOUNTED CIRCUIT BOARD, SS-52AP
1pc	1-526-660-21	o SOCKET, IC (DP) 32P (For IC12)
1pc	*5 1-526-660-21	o SOCKET, IC (DP) 32P (For IC54)
	*3 1-526-659-00	o SOCKET, IC (DP) 28P (For IC54)
1pc	*4 1-526-659-00	o SOCKET, IC (DP) 28P (For IC211)
1pc	*1 1-526-659-00	o SOCKET, IC (DP) 28P (For IC2110)
1pc	1-526-662-21	o SOCKET, IC (DP) 40P (For IC761)
1pc	3-171-453-03	o PLATE (L), SHIELD, CARD
1pc	3-171-454-02	o SHEET (L), CARD
1pc	3-179-084-01	s LEVER (R), PC BOARD
1pc	3-179-085-01	s LEVER (L), PC BOARD
1pc	7-682-902-11	s SCREW +PWH 2.6x5
C100-103	1-163-037-11	s CERAMIC, CHIP 0.022uF 10% 25V
C105	1-163-037-11	s CERAMIC, CHIP 0.022uF 10% 25V
C106	1-163-037-11	s CERAMIC, CHIP 0.022uF 10% 25V
C108-113	1-163-037-11	s CERAMIC, CHIP 0.022uF 10% 25V
C114	1-135-076-21	s TANTALUM, CHIP 1.0uF 10% 35V
C115	1-163-037-11	s CERAMIC, CHIP 0.022uF 10% 25V
C200-211	1-163-037-11	s CERAMIC, CHIP 0.022uF 10% 25V
C213	1-163-037-11	s CERAMIC, CHIP 0.022uF 10% 25V
C215-218	1-126-947-11	s ELECT 47uF 20% 35V
C219	1-163-037-11	s CERAMIC, CHIP 0.022uF 10% 25V
C300-308	1-163-037-11	s CERAMIC, CHIP 0.022uF 10% 25V
C309	1-164-232-11	s CERAMIC, CHIP 0.01uF 10% 100V
C310	1-126-795-11	s ELECT 10uF 20% 50V
C311-314	1-163-037-11	s CERAMIC, CHIP 0.022uF 10% 25V
C400-403	1-163-037-11	s CERAMIC, CHIP 0.022uF 10% 25V
C406	1-163-037-11	s CERAMIC, CHIP 0.022uF 10% 25V
C500	1-163-235-11	s CERAMIC, CHIP 22pF 5% 50V (2125)
C501	1-163-235-11	s CERAMIC, CHIP 22pF 5% 50V (2125)
C502	1-163-037-11	s CERAMIC, CHIP 0.022uF 10% 25V
C503	1-163-235-11	s CERAMIC, CHIP 22pF 5% 50V (2125)
C504	1-163-037-11	s CERAMIC, CHIP 0.022uF 10% 25V
C505	1-126-947-11	s ELECT 47uF 20% 35V
C506	1-163-235-11	s CERAMIC, CHIP 22pF 5% 50V (2125)
C507	*b 1-126-982-11	s ELECT 100uF 20% 16V
	*a 1-126-934-11	s ELECT 220uF 20% 16V
C509-512	1-163-037-11	s CERAMIC, CHIP 0.022uF 10% 25V
C600	1-163-037-11	s CERAMIC, CHIP 0.022uF 10% 25V
C601	1-164-232-11	s CERAMIC, CHIP 0.01uF 10% 100V
C604-607	1-163-227-11	s CERAMIC, CHIP 10pF 5% 50V (2125)
C608	1-163-037-11	s CERAMIC, CHIP 0.022uF 10% 25V
C610-614	1-163-037-11	s CERAMIC, CHIP 0.022uF 10% 25V
C700	1-163-037-11	s CERAMIC, CHIP 0.022uF 10% 25V
C701	1-163-809-11	s CERAMIC, CHIP 0.047uF 10% 25V
C702-704	1-163-037-11	s CERAMIC, CHIP 0.022uF 10% 25V
C705	1-124-903-11	s ELECT 1.0uF 20% 50V
C706	1-126-947-11	s ELECT 47uF 20% 35V
C707	1-126-947-11	s ELECT 47uF 20% 35V
C708-710	1-163-037-11	s CERAMIC, CHIP 0.022uF 10% 25V
C711	1-163-809-11	s CERAMIC, CHIP 0.047uF 10% 25V
C712	1-126-933-11	s ELECT 100uF 20% 16V
C713	1-163-037-11	s CERAMIC, CHIP 0.022uF 10% 25V
C714	1-163-037-11	s CERAMIC, CHIP 0.022uF 10% 25V
C715	1-126-933-11	s ELECT 100uF 20% 16V
C716	1-126-933-11	s ELECT 100uF 20% 16V
C717	1-126-947-11	s ELECT 47uF 20% 35V

-----  
 \*1: Board No. suffix 11 only  
 \*3: Board No. suffix 11 or 12  
 \*4: Board No. suffix 12 or higher  
 \*5: Board No. suffix 13 or higher

(SS-52A BOARD for DVW-A500P)

Ref. No. or Q'ty	Part No.	SP Description
C718	1-126-947-11	s ELECT 47uF 20% 35V
C719	1-126-933-11	s ELECT 100uF 20% 16V
C720	1-163-251-11	s CERAMIC, CHIP 100pF 5% 50V (2125)
C721	1-163-251-11	s CERAMIC, CHIP 100pF 5% 50V (2125)
C722	1-163-037-11	s CERAMIC, CHIP 0.022uF 10% 25V (2125)
C723	1-163-251-11	s CERAMIC, CHIP 100pF 5% 50V (2125)
C724	1-163-251-11	s CERAMIC, CHIP 100pF 5% 50V (2125)
C725	1-163-091-00	s CERAMIC, CHIP 8pF 50V (2125)
C726	1-163-091-00	s CERAMIC, CHIP 8pF 50V (2125)
C727-739	1-163-037-11	s CERAMIC, CHIP 0.022uF 10% 25V (2125)
C740	*4 1-135-177-21	s TANTALUM, CHIP 1.0uF 10% 25V
	*1 1-164-222-00	s CERAMIC 0.22uF 25V
C741-743	1-163-037-11	s CERAMIC, CHIP 0.022uF 10% 25V (2125)
C744	*4 1-163-809-11	s CERAMIC, CHIP 0.047uF 10% 25V (2125)
C745	*4 1-163-037-11	s CERAMIC, CHIP 0.022uF 10% 25V (2125)
C746-748	1-163-037-11	s CERAMIC, CHIP 0.022uF 10% 25V (2125)
C749	1-124-903-11	s ELECT 1.0uF 20% 50V
C750	1-163-809-11	s CERAMIC, CHIP 0.047uF 10% 25V (2125)
C751	1-124-903-11	s ELECT 1.0uF 20% 50V
C752	*4 1-135-177-21	s TANTALUM, CHIP 1.0uF 10% 25V
	*1 1-164-222-00	s CERAMIC 0.22uF 25V
C800-803	1-163-275-11	s CERAMIC, CHIP 1000pF 5% 50V (2125)
C804	1-163-037-11	s CERAMIC, CHIP 0.022uF 10% 25V (2125)
C805	1-163-017-00	s CERAMIC, CHIP 4700pF 10% 50V (2125)
C806	1-163-227-11	s CERAMIC, CHIP 10pF 5% 50V (2125)
C807	1-163-227-11	s CERAMIC, CHIP 10pF 5% 50V (2125)
C808	1-163-037-11	s CERAMIC, CHIP 0.022uF 10% 25V (2125)
C809	1-164-232-11	s CERAMIC, CHIP 0.01uF 10% 100V (2125)
C810	1-163-037-11	s CERAMIC, CHIP 0.022uF 10% 25V (2125)
C811-831	1-163-037-11	s CERAMIC, CHIP 0.022uF 10% 25V (2125)
C832	1-164-232-11	s CERAMIC, CHIP 0.01uF 10% 100V (2125)
C833	1-164-232-11	s CERAMIC, CHIP 0.01uF 10% 100V (2125)
C834	1-163-275-11	s CERAMIC, CHIP 1000pF 5% 50V (2125)
C835	1-163-037-11	s CERAMIC, CHIP 0.022uF 10% 25V (2125)
C836	1-124-925-11	s ELECT 2.2uF 20% 100V
C837	1-124-925-11	s ELECT 2.2uF 20% 100V
C838	*4 1-163-275-11	s CERAMIC, CHIP 1000pF 5% 50V (2125)
C839	1-163-037-11	s CERAMIC, CHIP 0.022uF 10% 25V (2125)
C840	1-163-037-11	s CERAMIC, CHIP 0.022uF 10% 25V (2125)
C841	1-164-004-11	s CERAMIC, CHIP 0.1uF 10% 25V (2125)
C842	1-164-004-11	s CERAMIC, CHIP 0.1uF 10% 25V (2125)
C843	*4 1-163-275-11	s CERAMIC, CHIP 1000pF 5% 50V (2125)
C844	*4 1-163-017-00	s CERAMIC, CHIP 4700pF 10% 50V (2125)
C845	*4 1-163-037-11	s CERAMIC, CHIP 0.022uF 10% 25V (2125)
C846	1-163-037-11	s CERAMIC, CHIP 0.022uF 10% 25V (2125)
C847	1-163-037-11	s CERAMIC, CHIP 0.022uF 10% 25V (2125)
C848	*4 1-163-037-11	s CERAMIC, CHIP 0.022uF 10% 25V (2125)
C849	*4 1-163-037-11	s CERAMIC, CHIP 0.022uF 10% 25V (2125)
C850	*4 1-163-037-11	s CERAMIC, CHIP 0.022uF 10% 25V (2125)
C901	1-163-037-11	s CERAMIC, CHIP 0.022uF 10% 25V (2125)
C1000	*4 1-163-037-11	s CERAMIC, CHIP 0.022uF 10% 25V (2125)
C1002	1-164-232-11	s CERAMIC, CHIP 0.01uF 10% 100V (2125)
C1004	1-126-795-11	s ELECT 10uF 20% 50V
C1006	1-163-037-11	s CERAMIC, CHIP 0.022uF 10% 25V (2125)
C1007	1-163-037-11	s CERAMIC, CHIP 0.022uF 10% 25V (2125)
C1100	1-163-037-11	s CERAMIC, CHIP 0.022uF 10% 25V (2125)

-----  
 \*a: LOT No. 302 through 0C4  
 \*b: LOT No. 111 or higher

## (SS-52A BOARD for DVW-A500P)

Ref. No. or Q'ty	Part No.	SP	Description
C1101	1-163-241-11	s	CERAMIC, CHIP 39pF 5% 50V (2125)
C1102	1-163-241-11	s	CERAMIC, CHIP 39pF 5% 50V (2125)
C1103	1-163-037-11	s	CERAMIC, CHIP 0.022uF 10% 25V
C1104	1-163-037-11	s	CERAMIC, CHIP 0.022uF 10% 25V
C1105 *4	1-163-037-11	s	CERAMIC, CHIP 0.022uF 10% 25V
C1106	1-163-235-11	s	CERAMIC, CHIP 22pF 5% 50V (2125)
C1108 *4	1-164-232-11	s	CERAMIC, CHIP 0.01uF 10% 100V
C1109 *4	1-163-019-00	s	CERAMIC, CHIP 6800pF 10% 50V
C1110 *4	1-163-251-11	s	CERAMIC, CHIP 100pF 5% 50V (2125)
C1111 *4	1-163-037-11	s	CERAMIC, CHIP 0.022uF 10% 25V
C1112 *4	1-163-037-11	s	CERAMIC, CHIP 0.022uF 10% 25V
C1118	1-163-137-00	s	CERAMIC, CHIP 680pF 5% 50V (2125)
C1119	1-163-243-11	s	CERAMIC, CHIP 47pF 5% 50V (2125)
C1120	1-163-131-00	s	CERAMIC, CHIP 390pF 5% 50V (2125)
C1121	1-163-251-11	s	CERAMIC, CHIP 100pF 5% 50V (2125)
C1122	1-163-139-00	s	CERAMIC, CHIP 820pF 5% 50V (2125)
C1123	1-163-245-11	s	CERAMIC, CHIP 56pF 5% 50V (2125)
C1124	1-164-004-11	s	CERAMIC, CHIP 0.1uF 10% 25V
C1125	1-163-037-11	s	CERAMIC, CHIP 0.022uF 10% 25V
C1127	1-164-004-11	s	CERAMIC, CHIP 0.1uF 10% 25V
C1128	1-164-004-11	s	CERAMIC, CHIP 0.1uF 10% 25V
C1129	1-163-037-11	s	CERAMIC, CHIP 0.022uF 10% 25V
C1133	1-163-037-11	s	CERAMIC, CHIP 0.022uF 10% 25V
C1134	1-163-016-00	s	CERAMIC, CHIP 3900pF 10% 50V
C1136	1-163-037-11	s	CERAMIC, CHIP 0.022uF 10% 25V
C1137	1-163-251-11	s	CERAMIC, CHIP 100pF 5% 50V (2125)
C1140	1-163-037-11	s	CERAMIC, CHIP 0.022uF 10% 25V
C1142	1-163-037-11	s	CERAMIC, CHIP 0.022uF 10% 25V
C1143	1-163-275-11	s	CERAMIC, CHIP 1000pF 5% 50V
C1144	1-163-275-11	s	CERAMIC, CHIP 1000pF 5% 50V
C1145	1-163-275-11	s	CERAMIC, CHIP 1000pF 5% 50V
C1146	1-163-037-11	s	CERAMIC, CHIP 0.022uF 10% 25V
C1147	1-163-275-11	s	CERAMIC, CHIP 1000pF 5% 50V
C1148	1-163-037-11	s	CERAMIC, CHIP 0.022uF 10% 25V
C1149	1-163-275-11	s	CERAMIC, CHIP 1000pF 5% 50V
C1150	1-163-275-11	s	CERAMIC, CHIP 1000pF 5% 50V
C1151	1-163-135-00	s	CERAMIC, CHIP 560pF 5% 50V (2125)
C1152	1-163-251-11	s	CERAMIC, CHIP 100pF 5% 50V (2125)
C1154	1-163-037-11	s	CERAMIC, CHIP 0.022uF 10% 25V
C1155 *4	1-163-037-11	s	CERAMIC, CHIP 0.022uF 10% 25V
C1156 *4	1-163-037-11	s	CERAMIC, CHIP 0.022uF 10% 25V
C1159	1-163-037-11	s	CERAMIC, CHIP 0.022uF 10% 25V
C1160	1-163-037-11	s	CERAMIC, CHIP 0.022uF 10% 25V
C1161	1-126-933-11	s	ELECT 100uF 20% 16V
C1162	1-126-933-11	s	ELECT 100uF 20% 16V
C1163	1-163-037-11	s	CERAMIC, CHIP 0.022uF 10% 25V
C1164	1-163-037-11	s	CERAMIC, CHIP 0.022uF 10% 25V
C1165	1-164-004-11	s	CERAMIC, CHIP 0.1uF 10% 25V
C1166	1-164-004-11	s	CERAMIC, CHIP 0.1uF 10% 25V
C1167	1-164-232-11	s	CERAMIC, CHIP 0.01uF 10% 100V
C1168	1-164-232-11	s	CERAMIC, CHIP 0.01uF 10% 100V
C1169	1-126-933-11	s	ELECT 100uF 20% 16V
C1170	1-126-933-11	s	ELECT 100uF 20% 16V
C1171	1-163-037-11	s	CERAMIC, CHIP 0.022uF 10% 25V
C1172	1-163-037-11	s	CERAMIC, CHIP 0.022uF 10% 25V
C1173 *1	1-163-037-11	s	CERAMIC, CHIP 0.022uF 10% 25V

## (SS-52A BOARD for DVW-A500P)

Ref. No. or Q'ty	Part No.	SP	Description
C1174 *1	1-163-037-11	s	CERAMIC, CHIP 0.022uF 10% 25V (2125)
C1175	1-163-037-11	s	CERAMIC, CHIP 0.022uF 10% 25V (2125)
C1177	1-163-037-11	s	CERAMIC, CHIP 0.022uF 10% 25V (2125)
C1178	1-163-037-11	s	CERAMIC, CHIP 0.022uF 10% 25V (2125)
C1179 *1	1-163-037-11	s	CERAMIC, CHIP 0.022uF 10% 25V (2125)
C1180 *1	1-163-037-11	s	CERAMIC, CHIP 0.022uF 10% 25V (2125)
C1200 *1	1-163-037-11	s	CERAMIC, CHIP 0.022uF 10% 25V (2125)
C1201 *1	1-163-241-11	s	CERAMIC, CHIP 39pF 5% 50V (2125)
C1202 *1	1-163-241-11	s	CERAMIC, CHIP 39pF 5% 50V (2125)
C1203 *1	1-163-037-11	s	CERAMIC, CHIP 0.022uF 10% 25V (2125)
C1204 *1	1-163-037-11	s	CERAMIC, CHIP 0.022uF 10% 25V (2125)
C1206 *1	1-163-235-11	s	CERAMIC, CHIP 22pF 5% 50V (2125)
C1218 *1	1-163-137-00	s	CERAMIC, CHIP 680pF 5% 50V (2125)
C1220 *1	1-163-131-00	s	CERAMIC, CHIP 390pF 5% 50V (2125)
C1222 *1	1-163-139-00	s	CERAMIC, CHIP 820pF 5% 50V (2125)
C1223 *1	1-163-245-11	s	CERAMIC, CHIP 56pF 5% 50V (2125)
C1224 *1	1-164-004-11	s	CERAMIC, CHIP 0.1uF 10% 25V (2125)
C1225 *1	1-163-037-11	s	CERAMIC, CHIP 0.022uF 10% 25V (2125)
C1227 *1	1-164-004-11	s	CERAMIC, CHIP 0.1uF 10% 25V (2125)
C1228 *1	1-164-004-11	s	CERAMIC, CHIP 0.1uF 10% 25V (2125)
C1233 *1	1-163-037-11	s	CERAMIC, CHIP 0.022uF 10% 25V (2125)
C1236 *1	1-163-037-11	s	CERAMIC, CHIP 0.022uF 10% 25V (2125)
C1261 *1	1-126-933-11	s	ELECT 100uF 20% 16V
C1262 *1	1-126-933-11	s	ELECT 100uF 20% 16V
C1263 *1	1-163-037-11	s	CERAMIC, CHIP 0.022uF 10% 25V (2125)
C1264 *1	1-163-037-11	s	CERAMIC, CHIP 0.022uF 10% 25V (2125)
C1265 *1	1-164-004-11	s	CERAMIC, CHIP 0.1uF 10% 25V (2125)
C1266 *1	1-164-004-11	s	CERAMIC, CHIP 0.1uF 10% 25V (2125)
C1267 *1	1-164-232-11	s	CERAMIC, CHIP 0.01uF 10% 100V (2125)
C1268 *1	1-164-232-11	s	CERAMIC, CHIP 0.01uF 10% 100V (2125)
C1269 *1	1-126-933-11	s	ELECT 100uF 20% 16V
C1270 *1	1-126-933-11	s	ELECT 100uF 20% 16V
C1271 *1	1-163-037-11	s	CERAMIC, CHIP 0.022uF 10% 25V (2125)
C1272 *1	1-163-037-11	s	CERAMIC, CHIP 0.022uF 10% 25V (2125)
C2100	1-164-232-11	s	CERAMIC, CHIP 0.01uF 10% 100V (2125)
C2101	1-164-232-11	s	CERAMIC, CHIP 0.01uF 10% 100V (2125)
C2102	1-163-251-11	s	CERAMIC, CHIP 100pF 5% 50V (2125)
C2103	1-163-251-11	s	CERAMIC, CHIP 100pF 5% 50V (2125)
C2104-2109	1-164-232-11	s	CERAMIC, CHIP 0.01uF 10% 100V (2125)
C2110	1-126-933-11	s	ELECT 100uF 20% 16V
C2111	1-164-232-11	s	CERAMIC, CHIP 0.01uF 10% 100V (2125)
C2112	1-163-989-11	s	CERAMIC, CHIP 0.033uF 10% 25V (2125)
C2113-2119	1-164-232-11	s	CERAMIC, CHIP 0.01uF 10% 100V (2125)
C2121	1-164-232-11	s	CERAMIC, CHIP 0.01uF 10% 100V (2125)
C2124	1-164-232-11	s	CERAMIC, CHIP 0.01uF 10% 100V (2125)
C2125	1-163-227-11	s	CERAMIC, CHIP 10pF 5% 50V (2125)
C2126	1-163-227-11	s	CERAMIC, CHIP 10pF 5% 50V (2125)
C2127	1-164-232-11	s	CERAMIC, CHIP 0.01uF 10% 100V (2125)
C2128	1-164-232-11	s	CERAMIC, CHIP 0.01uF 10% 100V (2125)
C2129	1-164-232-11	s	CERAMIC, CHIP 0.01uF 10% 100V (2125)
C2130	1-164-232-11	s	CERAMIC, CHIP 0.01uF 10% 100V (2125)
C2133	1-164-232-11	s	CERAMIC, CHIP 0.01uF 10% 100V (2125)
C2134	1-164-232-11	s	CERAMIC, CHIP 0.01uF 10% 100V (2125)
C2135	1-164-232-11	s	CERAMIC, CHIP 0.01uF 10% 100V (2125)

\*1: Board No. suffix 11 only

\*4: Board No. suffix 12 or higher

(SS-52A BOARD for DVW-A500P)

(SS-52A BOARD for DVW-A500P)

Ref. No. or Q'ty	Part No.	SP Description
C2136	1-164-232-11	s CERAMIC, CHIP 0.01uF 10% 100V
C2140	1-164-232-11	s CERAMIC, CHIP 0.01uF 10% 100V
C2141	1-164-232-11	s CERAMIC, CHIP 0.01uF 10% 100V
C2142	1-164-232-11	s CERAMIC, CHIP 0.01uF 10% 100V
C2200	1-163-227-11	s CERAMIC, CHIP 10pF 5% 50V (2125)
C2201	1-163-227-11	s CERAMIC, CHIP 10pF 5% 50V (2125)
C2202-2210	1-164-232-11	s CERAMIC, CHIP 0.01uF 10% 100V
C2211	1-124-902-00	s ELECT 4.7uF 20% 50V
C2212	1-164-232-11	s CERAMIC, CHIP 0.01uF 10% 100V
C2213	1-163-227-11	s CERAMIC, CHIP 10pF 5% 50V (2125)
C2214	1-164-232-11	s CERAMIC, CHIP 0.01uF 10% 100V
C2215	1-164-232-11	s CERAMIC, CHIP 0.01uF 10% 100V
C2216	1-164-232-11	s CERAMIC, CHIP 0.01uF 10% 100V
C2217	1-164-232-11	s CERAMIC, CHIP 0.01uF 10% 100V
C2300	1-164-004-11	s CERAMIC, CHIP 0.1uF 10% 25V
C2301	1-163-275-11	s CERAMIC, CHIP 1000pF 5% 50V
C2302	1-163-275-11	s CERAMIC, CHIP 1000pF 5% 50V
C2303	1-164-232-11	s CERAMIC, CHIP 0.01uF 10% 100V
C2304	1-164-232-11	s CERAMIC, CHIP 0.01uF 10% 100V
C2305	1-163-037-11	s CERAMIC, CHIP 0.022uF 10% 25V
C2306	1-164-232-11	s CERAMIC, CHIP 0.01uF 10% 100V
C2307	1-163-016-00	s CERAMIC, CHIP 3900pF 10% 50V
C2308	1-163-241-11	s CERAMIC, CHIP 39pF 5% 50V (2125)
C2309	1-163-037-11	s CERAMIC, CHIP 0.022uF 10% 25V
C2310	1-163-275-11	s CERAMIC, CHIP 1000pF 5% 50V
C2311	1-164-004-11	s CERAMIC, CHIP 0.1uF 10% 25V
C2312	1-164-232-11	s CERAMIC, CHIP 0.01uF 10% 100V
C2313	1-164-232-11	s CERAMIC, CHIP 0.01uF 10% 100V
C2314	1-164-232-11	s CERAMIC, CHIP 0.01uF 10% 100V
C2315	1-164-232-11	s CERAMIC, CHIP 0.01uF 10% 100V
C2316	1-164-232-11	s CERAMIC, CHIP 0.01uF 10% 100V
C2317	1-164-004-11	s CERAMIC, CHIP 0.1uF 10% 25V
C2318	1-164-232-11	s CERAMIC, CHIP 0.01uF 10% 100V
C2319	1-164-232-11	s CERAMIC, CHIP 0.01uF 10% 100V
C2320	1-164-232-11	s CERAMIC, CHIP 0.01uF 10% 100V
C2321	1-164-232-11	s CERAMIC, CHIP 0.01uF 10% 100V
C2322	1-164-004-11	s CERAMIC, CHIP 0.1uF 10% 25V
C2323-2328	1-164-232-11	s CERAMIC, CHIP 0.01uF 10% 100V
C2329	1-164-004-11	s CERAMIC, CHIP 0.1uF 10% 25V
C2330	1-163-275-11	s CERAMIC, CHIP 1000pF 5% 50V
C2331	1-163-016-00	s CERAMIC, CHIP 3900pF 10% 50V
C2410	1-164-232-11	s CERAMIC, CHIP 0.01uF 10% 100V
C2500	1-164-232-11	s CERAMIC, CHIP 0.01uF 10% 100V
C2501	1-164-232-11	s CERAMIC, CHIP 0.01uF 10% 100V
C2502	1-163-809-11	s CERAMIC, CHIP 0.047uF 10% 25V
C2503	1-163-809-11	s CERAMIC, CHIP 0.047uF 10% 25V
C2504	1-163-018-00	s CERAMIC, CHIP 5600pF 10% 50V
C2505	1-163-018-00	s CERAMIC, CHIP 5600pF 10% 50V
C2506	1-163-018-00	s CERAMIC, CHIP 5600pF 10% 50V
C2507	1-163-018-00	s CERAMIC, CHIP 5600pF 10% 50V
C2508	1-164-232-11	s CERAMIC, CHIP 0.01uF 10% 100V
C2509	1-164-232-11	s CERAMIC, CHIP 0.01uF 10% 100V
C2510	1-164-232-11	s CERAMIC, CHIP 0.01uF 10% 100V

Ref. No. or Q'ty	Part No.	SP Description
C2511	1-164-232-11	s CERAMIC, CHIP 0.01uF 10% 100V (2125)
C2512	1-163-133-00	s CERAMIC, CHIP 470pF 5% 50V (2125)
C2513	1-163-133-00	s CERAMIC, CHIP 470pF 5% 50V (2125)
C2514	1-164-004-11	s CERAMIC, CHIP 0.1uF 10% 25V (2125)
C2515	1-164-232-11	s CERAMIC, CHIP 0.01uF 10% 100V (2125)
C2518	1-164-004-11	s CERAMIC, CHIP 0.1uF 10% 25V (2125)
C2519	1-164-232-11	s CERAMIC, CHIP 0.01uF 10% 100V (2125)
C2520	1-164-232-11	s CERAMIC, CHIP 0.01uF 10% 100V (2125)
C2523-2530	1-164-232-11	s CERAMIC, CHIP 0.01uF 10% 100V (2125)
C2533	1-164-232-11	s CERAMIC, CHIP 0.01uF 10% 100V (2125)
C2534	1-164-232-11	s CERAMIC, CHIP 0.01uF 10% 100V (2125)
C2573	1-164-232-11	s CERAMIC, CHIP 0.01uF 10% 100V (2125)
C2574	1-164-232-11	s CERAMIC, CHIP 0.01uF 10% 100V (2125)
C2579	1-164-232-11	s CERAMIC, CHIP 0.01uF 10% 100V (2125)
C2580	1-164-232-11	s CERAMIC, CHIP 0.01uF 10% 100V (2125)
C2584	1-164-232-11	s CERAMIC, CHIP 0.01uF 10% 100V (2125)
C2700	1-164-004-11	s CERAMIC, CHIP 0.1uF 10% 25V (2125)
C2701	1-163-275-11	s CERAMIC, CHIP 1000pF 5% 50V (2125)
C2702	1-163-275-11	s CERAMIC, CHIP 1000pF 5% 50V (2125)
C2703	1-164-232-11	s CERAMIC, CHIP 0.01uF 10% 100V (2125)
C2704	1-164-232-11	s CERAMIC, CHIP 0.01uF 10% 100V (2125)
C2705	1-163-037-11	s CERAMIC, CHIP 0.022uF 10% 25V (2125)
C2706	1-164-232-11	s CERAMIC, CHIP 0.01uF 10% 100V (2125)
C2707	1-163-016-00	s CERAMIC, CHIP 3900pF 10% 50V (2125)
C2708	1-163-241-11	s CERAMIC, CHIP 39pF 5% 50V (2125)
C2709	1-163-037-11	s CERAMIC, CHIP 0.022uF 10% 25V (2125)
C2710	1-163-275-11	s CERAMIC, CHIP 1000pF 5% 50V (2125)
C2711	1-164-004-11	s CERAMIC, CHIP 0.1uF 10% 25V (2125)
C2712	1-164-232-11	s CERAMIC, CHIP 0.01uF 10% 100V (2125)
C2713	1-164-232-11	s CERAMIC, CHIP 0.01uF 10% 100V (2125)
C2714	1-164-232-11	s CERAMIC, CHIP 0.01uF 10% 100V (2125)
C2715	1-164-232-11	s CERAMIC, CHIP 0.01uF 10% 100V (2125)
C2716	1-164-232-11	s CERAMIC, CHIP 0.01uF 10% 100V (2125)
C2717	1-164-004-11	s CERAMIC, CHIP 0.1uF 10% 25V (2125)
C2718	1-164-232-11	s CERAMIC, CHIP 0.01uF 10% 100V (2125)
C2719	1-164-232-11	s CERAMIC, CHIP 0.01uF 10% 100V (2125)
C2720	1-164-232-11	s CERAMIC, CHIP 0.01uF 10% 100V (2125)
C2721	1-164-004-11	s CERAMIC, CHIP 0.1uF 10% 25V (2125)
C2722-2728	1-164-232-11	s CERAMIC, CHIP 0.01uF 10% 100V (2125)
C2729	1-164-004-11	s CERAMIC, CHIP 0.1uF 10% 25V (2125)
C3000	*1 1-163-809-11	s CERAMIC, CHIP 0.047uF 10% 25V (2125)
	*1 1-162-899-11	s CERAMIC 0.047uF 10% 50V
C3001	*4 1-163-809-11	s CERAMIC, CHIP 0.047uF 10% 25V (2125)
	*1 1-162-899-11	s CERAMIC 0.047uF 10% 50V
C3002	*4 1-164-004-11	s CERAMIC, CHIP 0.1uF 10% 25V (2125)
	*1 1-161-485-00	s CERAMIC 0.1uF 50V
CN2	1-506-484-11	s CONNECTOR, 5P, MALE
CN122	1-573-600-21	s CONNECTOR, PHEC 100P, MALE
CN123	1-573-600-21	s CONNECTOR, PHEC 100P, MALE
CN124	1-573-600-21	s CONNECTOR, PHEC 100P, MALE
CN700	1-506-484-11	s CONNECTOR, 5P, MALE
CN701	*4 1-506-486-11	s CONNECTOR, 7P, MALE
	*1 1-506-485-11	s CONNECTOR, 6P, MALE

-----  
 \*1: Board No. suffix 11 only  
 \*4: Board No. suffix 12 or higher



## (SS-52A BOARD for DVW-A500P)

Ref. No. or Q'ty	Part No.	SP	Description
CN2101	1-506-484-11	s	CONNECTOR, 5P, MALE
D100	8-719-024-81	s	DIODE 1SS300
D201	8-719-404-35	s	DIODE MA141WK
D202	8-719-210-33	s	DIODE EC10DS2
D203	8-719-210-33	s	DIODE EC10DS2
D300	8-719-026-16	s	LED CL-150D-CD, ORG
D301	8-719-026-16	s	LED CL-150D-CD, ORG
D600	8-719-404-35	s	DIODE MA141WK
D601	8-719-026-16	s	LED CL-150D-CD, ORG
D700	8-719-941-23	s	DIODE DA204U
D701	8-719-941-23	s	DIODE DA204U
D703	8-729-028-24	s	DIODE 1SS154
D704-710	8-719-941-23	s	DIODE DA204U
D711	8-719-026-16	s	LED CL-150D-CD, ORG
D800	8-719-026-16	s	LED CL-150D-CD, ORG
D801 *4	8-719-024-81	s	DIODE 1SS300
D1100 *4	8-719-938-72	s	DIODE SB01-05CP
D1101 *4	8-719-938-72	s	DIODE SB01-05CP
D1102 *4	8-719-938-72	s	DIODE SB01-05CP
D1103	8-719-938-72	s	DIODE SB01-05CP
D1104	8-719-938-72	s	DIODE SB01-05CP
D2101-2108	8-719-941-23	s	DIODE DA204U
D2109	8-719-026-16	s	LED CL-150D-CD, ORG
D2110	8-719-024-81	s	DIODE 1SS300
D2300	8-719-938-72	s	DIODE SB01-05CP
D2301	8-719-938-72	s	DIODE SB01-05CP
D2302	8-719-941-23	s	DIODE DA204U
D2500	8-719-941-23	s	DIODE DA204U
D2501	8-719-941-23	s	DIODE DA204U
D2502	8-719-941-23	s	DIODE DA204U
D2503	8-719-941-23	s	DIODE DA204U
D2700	8-719-938-72	s	DIODE SB01-05CP
D2701	8-719-938-72	s	DIODE SB01-05CP
D2702	8-719-941-23	s	DIODE DA204U
IC1	8-759-673-42	s	IC MM74HC04SJX
IC2	8-759-925-79	s	IC SN74HCL1ANS
IC3	8-759-632-39	s	IC M51958A
IC5	8-759-178-16	s	IC UPD70325GJ-10-5BG
IC6	8-759-673-51	s	IC MM74HC32SJX
IC7	8-759-175-55	s	IC CXD8805Q
IC8	8-759-053-58	s	IC IDT6116SA25SO
IC10	8-759-296-24	s	IC CY7C199-20VC
IC11	8-759-674-43	s	IC MM74HCT244SJX
IC12 *8	8-759-684-42	o	IC M27C2001-SYS1-V422, EP-ROM
*7	8-759-476-63	o	IC M27C2001-SYS1-V411, EP-ROM
*3	8-759-335-79	o	IC M27C2001-SYS1-V210, EP-ROM
IC15	8-759-175-72	s	IC UPD72002GB-11-3B4
IC16	8-759-143-23	s	IC UPD71059GB-3B4
IC17	8-759-925-78	s	IC SN74HCL10ANS
IC18	8-759-031-69	s	IC MC1488M
IC19	8-759-170-73	s	IC TA78L12S
IC20	8-759-700-69	s	IC NJM79L12A
IC21	8-759-031-68	s	IC MC1489AM
IC22	8-759-544-69	s	IC LC3564BM-10-TLM

\*3: Board No. suffix 11 or 12  
 \*4: Board No. suffix 12 or higher  
 \*6: LOT NO. 302 through 909

## (SS-52A BOARD for DVW-A500P)

Ref. No. or Q'ty	Part No.	SP	Description
IC23	8-759-174-16	s	IC TC74VHC244F
IC24	8-759-674-43	s	IC MM74HCT244SJX
IC25	8-759-175-56	s	IC CXD8804Q
IC26	8-759-544-69	s	IC LC3564BM-10-TLM
IC27	8-759-175-56	s	IC CXD8804Q
IC28	8-759-569-65	s	IC BH3863F-E2
IC29	8-759-475-22	s	IC TC74LCX245F(EL)
IC30	8-759-475-22	s	IC TC74LCX245F(EL)
IC31	8-759-673-48	s	IC MM74HCL14SJX
IC32	8-759-673-48	s	IC MM74HCL14SJX
IC34	8-759-095-41	s	IC CXD8176AQ
IC35	8-759-053-58	s	IC IDT6116SA25SO
IC37	8-759-095-41	s	IC CXD8176AQ
IC38	8-759-053-58	s	IC IDT6116SA25SO
IC39	8-759-569-65	s	IC BH3863F-E2
IC41	8-759-174-16	s	IC TC74VHC244F
IC42	8-759-175-77	s	IC CXD8384Q
IC43	8-759-673-57	s	IC MM74HC86SJX
IC45	8-759-673-51	s	IC MM74HC32SJX
IC46	8-759-500-93	s	IC MB90061-111
IC47	8-759-673-45	s	IC MM74HC08SJX
IC48	8-759-923-64	s	IC AM26LS32ACNS
IC49	8-759-479-32	s	IC SN75C1168NS (E05)
IC50	8-759-175-78	s	IC Z8401510FEC
IC52	8-759-544-69	s	IC LC3564BM-10-TLM
IC53	8-759-175-94	s	IC CXD8813Q
IC54 *8	8-759-665-05	o	IC M27C2001-SYS2-V412, EP-ROM
*7	8-759-476-64	o	IC M27C2001-SYS2-V411, EP-ROM
*3	8-759-281-53	o	IC M27C512-SYS2-V130, EP-ROM
IC55	8-759-092-26	s	IC DS3691M
IC56	8-759-992-43	s	IC 74F174SJ
IC211 *4	8-759-352-42	o	IC TMS27C512-DT-V202, EP-ROM
IC700	8-752-853-39	s	IC CXP80620-480Q
IC702	8-759-925-05	s	IC LM2903PS
IC747	8-759-100-94	s	IC UPC358G2
IC748	8-759-300-71	s	IC HD14053BFP
IC749	8-759-009-05	s	IC MC14051BF
IC750	8-759-348-69	s	IC HD6415108RF10
IC751	8-759-053-58	s	IC IDT6116SA25SO
IC752	8-759-673-42	s	IC MM74HC04SJX
IC753	8-759-186-29	s	IC TC74VHC11F
IC754	8-759-925-83	s	IC SN74HC27ANS
IC755	8-759-185-70	s	IC TC74VHC32F(EL)
IC756	8-759-185-79	s	IC TC74VHC138F(EL)
IC757	8-759-673-71	s	IC MM74HCL138SJX
IC758	8-759-053-58	s	IC IDT6116SA25SO
IC759	8-759-081-49	s	IC TC74VHC08F(EL)
IC760	8-759-673-45	s	IC MM74HC08SJX
IC761 *8	8-759-665-06	o	IC M27C4002-SV-V215, EP-ROM
*6	8-759-425-07	o	IC M27C4002-SV-V214, EP-ROM
IC762	8-752-381-84	s	IC CXD1095BQ
IC763	8-759-300-71	s	IC HD14053BFP
IC764	8-759-009-51	s	IC MC14538BF
IC765	8-759-100-95	s	IC UPC324G2
IC766	8-759-300-71	s	IC HD14053BFP
IC767	8-759-009-05	s	IC MC14051BF
IC768	8-759-925-05	s	IC LM2903PS
IC769	8-759-926-37	s	IC SN74HCL193ANS

\*7: LOT No. 410 through 909  
 \*8: LOT No. 910 or higher

## (SS-52A BOARD for DVW-A500P)

Ref. No. or Q'ty	Part No.	SP	Description
IC770	8-759-673-57	s	IC MM74HC86SJX
IC771	8-759-300-71	s	IC HD14053BFP
IC772	8-759-009-51	s	IC MC14538BF
IC773	8-759-673-54	s	IC MM74HC74ASJX
IC774	8-752-343-05	s	IC CXD2202Q
IC775	8-759-300-71	s	IC HD14053BFP
IC776	8-759-908-17	s	IC TL082CPS
IC777	8-759-908-17	s	IC TL082CPS
IC778	8-759-569-65	s	IC BH3863F-E2
IC779	8-759-174-16	s	IC TC74VHC244F
IC780	8-759-174-16	s	IC TC74VHC244F
IC781	8-759-174-16	s	IC TC74VHC244F
IC782	8-752-381-84	s	IC CXD1095BQ
IC783	8-759-239-14	s	IC TA78L05S
IC800 *4	8-759-300-71	s	IC HD14053BFP
IC801 *4	8-759-673-42	s	IC MM74HC04SJX
IC802 *4	8-759-009-51	s	IC MC14538BF
IC1001	8-759-548-77	s	IC SN74LV245ANSR
IC1002	8-759-569-65	s	IC BH3863F-E2
IC1003	8-759-175-70	s	IC CXD8837Q
IC1004*4	8-759-174-16	s	IC TC74VHC244F
IC1100*4	8-759-908-17	s	IC TL082CPS
IC1101	8-759-300-71	s	IC HD14053BFP
IC1102	8-759-112-53	s	IC UPC1663G
IC1105	8-759-101-12	s	IC UPC311G2
IC1106	8-759-673-42	s	IC MM74HC04SJX
IC1107	8-759-700-95	s	IC NJM1496M
IC1108	8-759-908-17	s	IC TL082CPS
IC1109	8-759-300-71	s	IC HD14053BFP
IC1110	8-759-908-17	s	IC TL082CPS
IC1111	8-759-112-53	s	IC UPC1663G
IC1112	8-759-239-14	s	IC TA78L05S
IC1113	8-759-700-65	s	IC NJM79L05A
IC1201*1	8-759-300-71	s	IC HD14053BFP
IC1202*1	8-759-112-53	s	IC UPC1663G
IC1205*1	8-759-101-12	s	IC UPC311G2
IC1211*1	8-759-112-53	s	IC UPC1663G
IC1212*1	8-759-708-05	s	IC NJM78L05A
IC1213*1	8-759-700-65	s	IC NJM79L05A
IC2100	8-759-673-42	s	IC MM74HC04SJX
IC2101	8-759-906-54	s	IC TL064CNS
IC2103	8-759-906-54	s	IC TL064CNS
IC2104	8-759-175-67	s	IC MB90T736
IC2106	8-759-926-49	s	IC SN74HC245ANS
IC2107	8-759-926-77	s	IC SN74HC541ANS
IC2108	8-759-996-06	s	IC CXD8115Q
IC2109	8-752-381-84	s	IC CXD1095BQ
IC2110*1	8-759-352-42	o	IC TMS27C512-DT-V202, EP-ROM
IC2113	8-759-095-41	s	IC CXD8176AQ
IC2114	8-759-239-74	s	IC TC74HC4520AF
IC2115	8-759-053-58	s	IC IDT6116SA25SO
IC2200	8-752-343-05	s	IC CXD2202Q
IC2201	8-759-673-54	s	IC MM74HC74ASJX
IC2202	8-759-113-55	s	IC UPD71054GB-3B4
IC2203	8-759-113-55	s	IC UPD71054GB-3B4
IC2204	8-759-113-55	s	IC UPD71054GB-3B4

## (SS-52A BOARD for DVW-A500P)

Ref. No. or Q'ty	Part No.	SP	Description
IC2205	8-759-673-51	s	IC MM74HC32SJX
IC2207	8-759-113-55	s	IC UPD71054GB-3B4
IC2208	8-759-300-71	s	IC HD14053BFP
IC2209	8-759-673-45	s	IC MM74HC08SJX
IC2210	8-759-946-12	s	IC AD7528JN
IC2211	8-759-673-54	s	IC MM74HC74ASJX
IC2300	8-759-908-92	s	IC TL084CNS
IC2301	8-759-906-54	s	IC TL064CNS
IC2302	8-759-906-54	s	IC TL064CNS
IC2303	8-759-300-71	s	IC HD14053BFP
IC2304	8-759-300-71	s	IC HD14053BFP
IC2305	8-759-906-54	s	IC TL064CNS
IC2401	8-759-155-00	s	IC CXD8177Q
IC2500	8-759-906-54	s	IC TL064CNS
IC2501	8-759-300-71	s	IC HD14053BFP
IC2502	8-759-906-54	s	IC TL064CNS
IC2503	8-759-906-54	s	IC TL064CNS
IC2504	8-759-300-71	s	IC HD14053BFP
IC2505	8-759-906-54	s	IC TL064CNS
IC2506	8-759-906-54	s	IC TL064CNS
IC2507	8-759-300-71	s	IC HD14053BFP
IC2508	8-759-906-54	s	IC TL064CNS
IC2700	8-759-908-92	s	IC TL084CNS
IC2701	8-759-906-54	s	IC TL064CNS
IC2702	8-759-906-54	s	IC TL064CNS
IC2703	8-759-300-71	s	IC HD14053BFP
IC2704	8-759-300-71	s	IC HD14053BFP
IC2705	8-759-906-54	s	IC TL064CNS
L301	1-410-803-11	s	INDUCTOR, CHIP 0.047uH
L700-703	1-412-533-21	s	INDUCTOR 47uH
L1002	1-410-803-11	s	INDUCTOR, CHIP 0.047uH
L1101	1-410-385-11	s	INDUCTOR, CHIP 22uH
L1105	1-412-281-31	s	INDUCTOR, CHIP 390uH
L1107	1-410-657-21	s	INDUCTOR, CHIP 180uH
L1114	1-410-388-31	s	INDUCTOR, CHIP 39uH
L1115	1-412-533-21	s	INDUCTOR 47uH
L1116	1-412-533-21	s	INDUCTOR 47uH
L1117	1-412-533-21	s	INDUCTOR 47uH
L1118	1-412-533-21	s	INDUCTOR 47uH
L1201 *1	1-410-385-11	s	INDUCTOR, CHIP 22uH
L1205 *1	1-412-281-31	s	INDUCTOR, CHIP 390uH
L1207 *1	1-410-657-21	s	INDUCTOR, CHIP 180uH
L1215 *1	1-412-533-21	s	INDUCTOR 47uH
L1216 *1	1-412-533-21	s	INDUCTOR 47uH
L1217 *1	1-412-533-21	s	INDUCTOR 47uH
L1218 *1	1-412-533-21	s	INDUCTOR 47uH
L2103	1-412-533-21	s	INDUCTOR 47uH
Q200	8-729-905-18	s	TRANSISTOR DTC144EU
Q500	8-729-143-07	s	TRANSISTOR 2SA1610-Y33
Q700	8-729-106-68	s	TRANSISTOR 2SC1615A-GP
Q701	8-729-106-60	s	TRANSISTOR 2SB1115A
Q702	8-729-905-18	s	TRANSISTOR DTC144EU
Q1103	8-729-117-72	s	TRANSISTOR 2SC4178-F13
Q1105	8-729-117-72	s	TRANSISTOR 2SC4178-F13
Q1106	8-729-117-72	s	TRANSISTOR 2SC4178-F13
Q1203 *1	8-729-117-72	s	TRANSISTOR 2SC4178-F13

\*1: Board No. suffix 11 only

\*4: Board No. suffix 12 or higher

## (SS-52A BOARD for DVW-A500P)

Ref. No. or Q'ty	Part No.	SP	Description
Q1305	*1 8-729-117-72	s	TRANSISTOR 2SC4178-F13
R100	1-216-049-00	s	METAL, CHIP 1.0K 5% 1/10W (2125)
R101-105	1-216-089-00	s	METAL, CHIP 47K 5% 1/10W (2125)
R106-108	1-216-057-00	s	METAL, CHIP 2.2K 5% 1/10W (2125)
R109-113	1-216-073-00	s	METAL, CHIP 10K 5% 1/10W (2125)
R114	1-216-057-00	s	METAL, CHIP 2.2K 5% 1/10W (2125)
R115	1-216-089-00	s	METAL, CHIP 47K 5% 1/10W (2125)
R116	1-216-073-00	s	METAL, CHIP 10K 5% 1/10W (2125)
R117-125	1-216-089-00	s	METAL, CHIP 47K 5% 1/10W (2125)
R128	1-216-089-00	s	METAL, CHIP 47K 5% 1/10W (2125)
R130	1-216-689-11	s	METAL, CHIP 39K 0.5% 1/10W (2125)
R131	1-208-811-11	s	METAL, CHIP 16K 0.5% 1/10W (2125)
R171	1-216-025-00	s	METAL, CHIP 100 5% 1/10W (2125)
R172	1-216-025-00	s	METAL, CHIP 100 5% 1/10W (2125)
R176-178	1-216-295-00	s	METAL, CHIP 0 (2125)
R179	1-216-073-00	s	METAL, CHIP 10K 5% 1/10W (2125)
R190	1-216-089-00	s	METAL, CHIP 47K 5% 1/10W (2125)
R200	1-216-073-00	s	METAL, CHIP 10K 5% 1/10W (2125)
R201-204	1-216-077-00	s	METAL, CHIP 15K 5% 1/10W (2125)
R205-208	1-216-089-00	s	METAL, CHIP 47K 5% 1/10W (2125)
R209	1-216-295-00	s	METAL, CHIP 0 (2125)
R210-212	1-216-089-00	s	METAL, CHIP 47K 5% 1/10W (2125)
R300-308	1-216-089-00	s	METAL, CHIP 47K 5% 1/10W (2125)
R324	1-216-033-00	s	METAL, CHIP 220 5% 1/10W (2125)
R325	1-216-295-00	s	METAL, CHIP 0 (2125)
R326	1-216-033-00	s	METAL, CHIP 220 5% 1/10W (2125)
R327	1-216-033-00	s	METAL, CHIP 220 5% 1/10W (2125)
R328	1-216-089-00	s	METAL, CHIP 47K 5% 1/10W (2125)
R332	1-216-047-00	s	METAL, CHIP 820 5% 1/10W (2125)
R333	1-216-097-00	s	METAL, CHIP 100K 5% 1/10W (2125)
R334	1-216-097-00	s	METAL, CHIP 100K 5% 1/10W (2125)
R339-341	1-216-097-00	s	METAL, CHIP 100K 5% 1/10W (2125)
R346-348	1-216-097-00	s	METAL, CHIP 100K 5% 1/10W (2125)
R358	1-216-047-00	s	METAL, CHIP 820 5% 1/10W (2125)
R359-401	1-216-089-00	s	METAL, CHIP 47K 5% 1/10W (2125)
R402	1-216-073-00	s	METAL, CHIP 10K 5% 1/10W (2125)
R403	1-216-089-00	s	METAL, CHIP 47K 5% 1/10W (2125)
R404	1-216-089-00	s	METAL, CHIP 47K 5% 1/10W (2125)
R405	1-216-073-00	s	METAL, CHIP 10K 5% 1/10W (2125)
R500	1-216-057-00	s	METAL, CHIP 2.2K 5% 1/10W (2125)
R501	1-216-057-00	s	METAL, CHIP 2.2K 5% 1/10W (2125)
R502	1-216-065-00	s	METAL, CHIP 4.7K 5% 1/10W (2125)
R503	1-216-065-00	s	METAL, CHIP 4.7K 5% 1/10W (2125)
R504	1-216-037-00	s	METAL, CHIP 330 5% 1/10W (2125)
R505	1-216-121-00	s	METAL, CHIP 1.0M 5% 1/10W (2125)
R506-512	1-216-089-00	s	METAL, CHIP 47K 5% 1/10W (2125)
R513	1-216-033-00	s	METAL, CHIP 220 5% 1/10W (2125)
R514	1-216-021-00	s	METAL, CHIP 68 5% 1/10W (2125)
R515	1-216-029-00	s	METAL, CHIP 150 5% 1/10W (2125)
R517-521	1-216-295-00	s	METAL, CHIP 0 (2125)
R523	*1 1-216-049-00	s	METAL, CHIP 1.0K 5% 1/10W (2125)
R532	*4 1-216-049-00	s	METAL, CHIP 1.0K 5% 1/10W (2125)
R600-602	1-216-065-00	s	METAL, CHIP 4.7K 5% 1/10W (2125)
R604	1-216-025-00	s	METAL, CHIP 100 5% 1/10W (2125)
R606	*3 1-216-295-00	s	METAL, CHIP 0 (2125)
R607	1-216-073-00	s	METAL, CHIP 10K 5% 1/10W (2125)

-----  
 \*1: Board No. suffix 11 only  
 \*3: Board No. suffix 11 or 12  
 \*4: Board No. suffix 12 or higher

## (SS-52A BOARD for DVW-A500P)

Ref. No. or Q'ty	Part No.	SP	Description
R608	1-216-077-00	s	METAL, CHIP 15K 5% 1/10W (2125)
R609	1-216-097-00	s	METAL, CHIP 100K 5% 1/10W (2125)
R610	1-216-077-00	s	METAL, CHIP 15K 5% 1/10W (2125)
R611	1-216-097-00	s	METAL, CHIP 100K 5% 1/10W (2125)
R612	1-216-077-00	s	METAL, CHIP 15K 5% 1/10W (2125)
R613	1-216-097-00	s	METAL, CHIP 100K 5% 1/10W (2125)
R614	1-216-077-00	s	METAL, CHIP 15K 5% 1/10W (2125)
R615	1-216-097-00	s	METAL, CHIP 100K 5% 1/10W (2125)
R616-618	1-216-073-00	s	METAL, CHIP 10K 5% 1/10W (2125)
R619	1-216-065-00	s	METAL, CHIP 4.7K 5% 1/10W (2125)
R620	1-216-077-00	s	METAL, CHIP 15K 5% 1/10W (2125)
R621	1-216-045-00	s	METAL, CHIP 680 5% 1/10W (2125)
R622	1-216-025-00	s	METAL, CHIP 100 5% 1/10W (2125)
R625	1-216-077-00	s	METAL, CHIP 15K 5% 1/10W (2125)
R626	1-216-077-00	s	METAL, CHIP 15K 5% 1/10W (2125)
R627	1-216-097-00	s	METAL, CHIP 100K 5% 1/10W (2125)
R628	1-216-097-00	s	METAL, CHIP 100K 5% 1/10W (2125)
R700-702	1-216-073-00	s	METAL, CHIP 10K 5% 1/10W (2125)
R703	1-216-097-00	s	METAL, CHIP 100K 5% 1/10W (2125)
R704	1-216-097-00	s	METAL, CHIP 100K 5% 1/10W (2125)
R705	1-216-085-00	s	METAL, CHIP 33K 5% 1/10W (2125)
R706	1-216-025-00	s	METAL, CHIP 100 5% 1/10W (2125)
R707	1-216-025-00	s	METAL, CHIP 100 5% 1/10W (2125)
R708	1-216-073-00	s	METAL, CHIP 10K 5% 1/10W (2125)
R709	1-216-295-00	s	METAL, CHIP 0 (2125)
R710	1-218-478-11	s	METAL, CHIP 330 5% 1/4W (3225)
R711	1-218-478-11	s	METAL, CHIP 330 5% 1/4W (3225)
R712	1-216-109-00	s	METAL, CHIP 330K 5% 1/10W (2125)
R713-715	1-216-073-00	s	METAL, CHIP 10K 5% 1/10W (2125)
R717	1-216-085-00	s	METAL, CHIP 33K 5% 1/10W (2125)
R718	1-216-109-00	s	METAL, CHIP 330K 5% 1/10W (2125)
R719-721	1-216-073-00	s	METAL, CHIP 10K 5% 1/10W (2125)
R722-724	1-216-089-00	s	METAL, CHIP 47K 5% 1/10W (2125)
R725-727	1-216-295-00	s	METAL, CHIP 0 (2125)
R728	1-216-073-00	s	METAL, CHIP 10K 5% 1/10W (2125)
R729	1-216-097-00	s	METAL, CHIP 100K 5% 1/10W (2125)
R731	1-216-089-00	s	METAL, CHIP 47K 5% 1/10W (2125)
R732	1-216-089-00	s	METAL, CHIP 47K 5% 1/10W (2125)
R733	1-216-025-00	s	METAL, CHIP 100 5% 1/10W (2125)
R734	1-216-025-00	s	METAL, CHIP 100 5% 1/10W (2125)
R735	1-216-073-00	s	METAL, CHIP 10K 5% 1/10W (2125)
R736	1-216-089-00	s	METAL, CHIP 47K 5% 1/10W (2125)
R737	1-216-114-00	s	METAL, CHIP 510K 5% 1/10W (2125)
R738	1-216-073-00	s	METAL, CHIP 10K 5% 1/10W (2125)
R739	1-216-049-00	s	METAL, CHIP 1.0K 5% 1/10W (2125)
R740	1-216-114-00	s	METAL, CHIP 510K 5% 1/10W (2125)
R741	1-216-049-00	s	METAL, CHIP 1.0K 5% 1/10W (2125)
R742	1-216-074-00	s	METAL, CHIP 11K 5% 1/10W (2125)
R743	1-216-074-00	s	METAL, CHIP 11K 5% 1/10W (2125)
R744	*4 1-216-049-00	s	METAL, CHIP 1.0K 5% 1/10W (2125)
R745	*4 1-216-073-00	s	METAL, CHIP 10K 5% 1/10W (2125)
R746	*4 1-216-089-00	s	METAL, CHIP 47K 5% 1/10W (2125)
R747	*4 1-216-073-00	s	METAL, CHIP 10K 5% 1/10W (2125)
R748	*4 1-216-089-00	s	METAL, CHIP 47K 5% 1/10W (2125)
R749	1-216-074-00	s	METAL, CHIP 11K 5% 1/10W (2125)
R750	1-216-073-00	s	METAL, CHIP 10K 5% 1/10W (2125)

## (SS-52A BOARD for DVW-A500P)

Ref. No. or Q'ty	Part No.	SP Description
R751	1-216-074-00	s METAL, CHIP 11K 5% 1/10W (2125)
R752	1-216-073-00	s METAL, CHIP 10K 5% 1/10W (2125)
R753	1-216-045-00	s METAL, CHIP 680 5% 1/10W (2125)
R754	1-216-089-00	s METAL, CHIP 47K 5% 1/10W (2125)
R755	*4 1-216-295-00	s METAL, CHIP 0 (2125)
R800	1-216-001-00	s METAL, CHIP 10 5% 1/10W (2125)
R801	1-216-295-00	s METAL, CHIP 0 (2125)
R802-805	1-216-073-00	s METAL, CHIP 10K 5% 1/10W (2125)
R806	1-216-025-00	s METAL, CHIP 100 5% 1/10W (2125)
R807	1-216-073-00	s METAL, CHIP 10K 5% 1/10W (2125)
R808	1-216-089-00	s METAL, CHIP 47K 5% 1/10W (2125)
R809	1-216-089-00	s METAL, CHIP 47K 5% 1/10W (2125)
R810	1-216-073-00	s METAL, CHIP 10K 5% 1/10W (2125)
R811	1-216-061-00	s METAL, CHIP 3.3K 5% 1/10W (2125)
R812	1-216-081-00	s METAL, CHIP 22K 5% 1/10W (2125)
R813	1-216-081-00	s METAL, CHIP 22K 5% 1/10W (2125)
R814	1-216-073-00	s METAL, CHIP 10K 5% 1/10W (2125)
R815	1-216-057-00	s METAL, CHIP 2.2K 5% 1/10W (2125)
R816	1-216-073-00	s METAL, CHIP 10K 5% 1/10W (2125)
R817	1-216-057-00	s METAL, CHIP 2.2K 5% 1/10W (2125)
R818	1-216-085-00	s METAL, CHIP 33K 5% 1/10W (2125)
R819	1-216-109-00	s METAL, CHIP 330K 5% 1/10W (2125)
R820	1-216-073-00	s METAL, CHIP 10K 5% 1/10W (2125)
R821	1-216-073-00	s METAL, CHIP 10K 5% 1/10W (2125)
R822	1-216-057-00	s METAL, CHIP 2.2K 5% 1/10W (2125)
R823	1-216-057-00	s METAL, CHIP 2.2K 5% 1/10W (2125)
R824	1-216-073-00	s METAL, CHIP 10K 5% 1/10W (2125)
R825	1-216-295-00	s METAL, CHIP 0 (2125)
R826	1-216-049-00	s METAL, CHIP 1.0K 5% 1/10W (2125)
R827	1-216-037-00	s METAL, CHIP 330 5% 1/10W (2125)
R828	*4 1-216-105-11	s METAL, CHIP 220K 5% 1/10W (2125)
R829	1-216-073-00	s METAL, CHIP 10K 5% 1/10W (2125)
R830	*4 1-216-105-11	s METAL, CHIP 220K 5% 1/10W (2125)
R831	*4 1-216-085-00	s METAL, CHIP 33K 5% 1/10W (2125)
R832-835	1-216-295-00	s METAL, CHIP 0 (2125)
R836	1-216-025-00	s METAL, CHIP 100 5% 1/10W (2125)
R837	1-216-065-00	s METAL, CHIP 4.7K 5% 1/10W (2125)
R838	1-216-295-00	s METAL, CHIP 0 (2125)
R839	1-216-295-00	s METAL, CHIP 0 (2125)
R840	1-216-025-00	s METAL, CHIP 100 5% 1/10W (2125)
R841	1-216-295-00	s METAL, CHIP 0 (2125)
R842	1-216-025-00	s METAL, CHIP 100 5% 1/10W (2125)
R843	1-216-295-00	s METAL, CHIP 0 (2125)
R844	1-216-295-00	s METAL, CHIP 0 (2125)
R845	1-216-081-00	s METAL, CHIP 22K 5% 1/10W (2125)
R846	1-216-049-00	s METAL, CHIP 1.0K 5% 1/10W (2125)
R847	1-216-081-00	s METAL, CHIP 22K 5% 1/10W (2125)
R848	1-216-025-00	s METAL, CHIP 100 5% 1/10W (2125)
R849	1-216-295-00	s METAL, CHIP 0 (2125)
R850	1-216-025-00	s METAL, CHIP 100 5% 1/10W (2125)
R851	1-216-025-00	s METAL, CHIP 100 5% 1/10W (2125)
R852	1-216-049-00	s METAL, CHIP 1.0K 5% 1/10W (2125)
R853-859	1-216-295-00	s METAL, CHIP 0 (2125)
R861-865	1-216-295-00	s METAL, CHIP 0 (2125)
R866	*4 1-216-081-00	s METAL, CHIP 22K 5% 1/10W (2125)
R867	1-216-073-00	s METAL, CHIP 10K 5% 1/10W (2125)

## (SS-52A BOARD for DVW-A500P)

Ref. No. or Q'ty	Part No.	SP Description
R868	1-216-097-00	s METAL, CHIP 100K 5% 1/10W (2125)
R870	*4 1-216-295-00	s METAL, CHIP 0 (2125)
R871	*4 1-216-073-00	s METAL, CHIP 10K 5% 1/10W (2125)
R879	1-216-073-00	s METAL, CHIP 10K 5% 1/10W (2125)
R885	1-216-073-00	s METAL, CHIP 10K 5% 1/10W (2125)
R886	1-216-057-00	s METAL, CHIP 2.2K 5% 1/10W (2125)
R887-891	1-216-073-00	s METAL, CHIP 10K 5% 1/10W (2125)
R900	1-216-295-00	s METAL, CHIP 0 (2125)
R901	*4 1-216-295-00	s METAL, CHIP 0 (2125)
R902	*4 1-216-295-00	s METAL, CHIP 0 (2125)
R903	1-216-089-00	s METAL, CHIP 47K 5% 1/10W (2125)
R904	1-216-295-00	s METAL, CHIP 0 (2125)
R905-907	1-216-097-00	s METAL, CHIP 100K 5% 1/10W (2125)
R908	1-216-295-00	s METAL, CHIP 0 (2125)
R909	1-216-065-00	s METAL, CHIP 4.7K 5% 1/10W (2125)
R912	*5 1-216-073-00	s METAL, CHIP 10K 5% 1/10W (2125)
R913	*5 1-216-073-00	s METAL, CHIP 10K 5% 1/10W (2125)
R914	*5 1-216-073-00	s METAL, CHIP 10K 5% 1/10W (2125)
R928-934	1-216-295-00	s METAL, CHIP 0 (2125)
R1000	*4 1-216-089-00	s METAL, CHIP 47K 5% 1/10W (2125)
R1001	1-216-033-00	s METAL, CHIP 220 5% 1/10W (2125)
R1002	1-216-295-00	s METAL, CHIP 0 (2125)
R1028	1-216-045-00	s METAL, CHIP 680 5% 1/10W (2125)
R1030	1-216-045-00	s METAL, CHIP 680 5% 1/10W (2125)
R1100	1-216-069-00	s METAL, CHIP 6.8K 5% 1/10W (2125)
R1101	1-216-033-00	s METAL, CHIP 220 5% 1/10W (2125)
R1102	1-216-033-00	s METAL, CHIP 220 5% 1/10W (2125)
R1103	1-216-045-00	s METAL, CHIP 680 5% 1/10W (2125)
R1104	1-216-045-00	s METAL, CHIP 680 5% 1/10W (2125)
R1105	1-216-029-00	s METAL, CHIP 150 5% 1/10W (2125)
R1106	1-216-047-00	s METAL, CHIP 820 5% 1/10W (2125)
R1107	1-216-033-00	s METAL, CHIP 220 5% 1/10W (2125)
R1108	1-216-033-00	s METAL, CHIP 220 5% 1/10W (2125)
R1109	*4 1-216-049-00	s METAL, CHIP 1.0K 5% 1/10W (2125)
R1110	*4 1-216-069-00	s METAL, CHIP 6.8K 5% 1/10W (2125)
R1111	*4 1-216-025-00	s METAL, CHIP 100 5% 1/10W (2125)
R1112	*4 1-216-093-00	s METAL, CHIP 68K 5% 1/10W (2125)
R1113	*4 1-216-689-11	s METAL, CHIP 39K 0.5% 1/10W (2125)
R1133	1-216-049-00	s METAL, CHIP 1.0K 5% 1/10W (2125)
R1134	1-216-073-00	s METAL, CHIP 10K 5% 1/10W (2125)
R1135	1-216-075-00	s METAL, CHIP 12K 5% 1/10W (2125)
R1136	1-216-057-00	s METAL, CHIP 2.2K 5% 1/10W (2125)
R1137	1-216-049-00	s METAL, CHIP 1.0K 5% 1/10W (2125)
R1142	1-216-067-00	s METAL, CHIP 5.6K 5% 1/10W (2125)
R1143	1-216-073-00	s METAL, CHIP 10K 5% 1/10W (2125)
R1145	1-216-065-00	s METAL, CHIP 4.7K 5% 1/10W (2125)
R1146	*4 1-216-049-00	s METAL, CHIP 1.0K 5% 1/10W (2125)
	*1 1-216-057-00	s METAL, CHIP 2.2K 5% 1/10W (2125)
R1147	1-216-025-00	s METAL, CHIP 100 5% 1/10W (2125)
R1149	1-216-025-00	s METAL, CHIP 100 5% 1/10W (2125)
R1151	1-216-073-00	s METAL, CHIP 10K 5% 1/10W (2125)
R1154	1-216-041-00	s METAL, CHIP 470 5% 1/10W (2125)
R1155	1-216-049-00	s METAL, CHIP 1.0K 5% 1/10W (2125)
R1158	1-216-066-00	s METAL, CHIP 5.1K 5% 1/10W (2125)
R1159	1-216-013-00	s METAL, CHIP 33 5% 1/10W (2125)
R1160	1-216-057-00	s METAL, CHIP 2.2K 5% 1/10W (2125)

-----  
 \*1: Board No. suffix 11 only  
 \*4: Board No. suffix 12 or higher  
 \*5: Board No. suffix 13 or higher

## (SS-52A BOARD for DVW-A500P)

Ref. No. or Q'ty	Part No.	SP	Description
R1161	1-216-053-00	s	METAL, CHIP 1.5K 5% 1/10W (2125)
R1162	1-216-059-00	s	METAL, CHIP 2.7K 5% 1/10W (2125)
R1163	1-216-061-00	s	METAL, CHIP 3.3K 5% 1/10W (2125)
R1164	1-216-043-00	s	METAL, CHIP 560 5% 1/10W (2125)
R1165	1-216-043-00	s	METAL, CHIP 560 5% 1/10W (2125)
R1166	1-216-061-00	s	METAL, CHIP 3.3K 5% 1/10W (2125)
R1167	1-216-061-00	s	METAL, CHIP 3.3K 5% 1/10W (2125)
R1168	1-216-061-00	s	METAL, CHIP 3.3K 5% 1/10W (2125)
R1169	1-216-069-00	s	METAL, CHIP 6.8K 5% 1/10W (2125)
R1170	1-216-073-00	s	METAL, CHIP 10K 5% 1/10W (2125)
R1171	1-216-061-00	s	METAL, CHIP 3.3K 5% 1/10W (2125)
R1172	1-216-049-00	s	METAL, CHIP 1.0K 5% 1/10W (2125)
R1173	1-216-049-00	s	METAL, CHIP 1.0K 5% 1/10W (2125)
R1174	1-216-045-00	s	METAL, CHIP 680 5% 1/10W (2125)
R1175	1-216-073-00	s	METAL, CHIP 10K 5% 1/10W (2125)
R1176	1-216-073-00	s	METAL, CHIP 10K 5% 1/10W (2125)
R1177	1-216-051-00	s	METAL, CHIP 1.2K 5% 1/10W (2125)
R1178	1-216-051-00	s	METAL, CHIP 1.2K 5% 1/10W (2125)
R1179	1-216-051-00	s	METAL, CHIP 1.2K 5% 1/10W (2125)
R1180	*4 1-216-063-00	s	METAL, CHIP 3.9K 5% 1/10W (2125)
	*1 1-216-065-00	s	METAL, CHIP 4.7K 5% 1/10W (2125)
R1181	*4 1-216-029-00	s	METAL, CHIP 150 5% 1/10W (2125)
	*1 1-216-025-00	s	METAL, CHIP 100 5% 1/10W (2125)
R1182	*4 1-216-039-00	s	METAL, CHIP 390 5% 1/10W (2125)
	*1 1-216-033-00	s	METAL, CHIP 220 5% 1/10W (2125)
R1183	*4 1-216-039-00	s	METAL, CHIP 390 5% 1/10W (2125)
	*1 1-216-033-00	s	METAL, CHIP 220 5% 1/10W (2125)
R1187	1-216-049-00	s	METAL, CHIP 1.0K 5% 1/10W (2125)
R1200	*1 1-216-069-00	s	METAL, CHIP 6.8K 5% 1/10W (2125)
R1201	*1 1-216-017-00	s	METAL, CHIP 47 5% 1/10W (2125)
R1202	*1 1-216-017-00	s	METAL, CHIP 47 5% 1/10W (2125)
R1203	*1 1-216-045-00	s	METAL, CHIP 680 5% 1/10W (2125)
R1204	*1 1-216-045-00	s	METAL, CHIP 680 5% 1/10W (2125)
R1205	*1 1-216-029-00	s	METAL, CHIP 150 5% 1/10W (2125)
R1206	*1 1-216-047-00	s	METAL, CHIP 820 5% 1/10W (2125)
R1207	*1 1-216-033-00	s	METAL, CHIP 220 5% 1/10W (2125)
R1208	*1 1-216-033-00	s	METAL, CHIP 220 5% 1/10W (2125)
R1233	*1 1-216-049-00	s	METAL, CHIP 1.0K 5% 1/10W (2125)
R1234	*1 1-216-073-00	s	METAL, CHIP 10K 5% 1/10W (2125)
R1235	*1 1-216-075-00	s	METAL, CHIP 12K 5% 1/10W (2125)
R1236	*1 1-216-057-00	s	METAL, CHIP 2.2K 5% 1/10W (2125)
R1237	*1 1-216-049-00	s	METAL, CHIP 1.0K 5% 1/10W (2125)
R1242	*1 1-216-069-00	s	METAL, CHIP 6.8K 5% 1/10W (2125)
R1243	*1 1-216-073-00	s	METAL, CHIP 10K 5% 1/10W (2125)
R1244	*1 1-216-117-00	s	METAL, CHIP 680K 5% 1/10W (2125)
R1245	*1 1-216-065-00	s	METAL, CHIP 4.7K 5% 1/10W (2125)
R1246	*1 1-216-023-00	s	METAL, CHIP 82 5% 1/10W (2125)
R1247	*1 1-216-025-00	s	METAL, CHIP 100 5% 1/10W (2125)
R1249	*1 1-216-025-00	s	METAL, CHIP 100 5% 1/10W (2125)
R1250	*1 1-216-105-11	s	METAL, CHIP 220K 5% 1/10W (2125)
R1281	*1 1-216-039-00	s	METAL, CHIP 390 5% 1/10W (2125)
R1282	*1 1-216-033-00	s	METAL, CHIP 220 5% 1/10W (2125)
R1283	*1 1-216-033-00	s	METAL, CHIP 220 5% 1/10W (2125)
R1287	*1 1-216-049-00	s	METAL, CHIP 1.0K 5% 1/10W (2125)
R2100	1-216-073-00	s	METAL, CHIP 10K 5% 1/10W (2125)

## (SS-52A BOARD for DVW-A500P)

Ref. No. or Q'ty	Part No.	SP	Description
R2101	1-216-073-00	s	METAL, CHIP 10K 5% 1/10W (2125)
R2102	1-216-089-00	s	METAL, CHIP 47K 5% 1/10W (2125)
R2103	1-216-089-00	s	METAL, CHIP 47K 5% 1/10W (2125)
R2104	1-216-081-00	s	METAL, CHIP 22K 5% 1/10W (2125)
R2105	1-216-081-00	s	METAL, CHIP 22K 5% 1/10W (2125)
R2106	1-216-089-00	s	METAL, CHIP 47K 5% 1/10W (2125)
R2107	1-216-089-00	s	METAL, CHIP 47K 5% 1/10W (2125)
R2108	1-216-089-00	s	METAL, CHIP 47K 5% 1/10W (2125)
R2109	1-216-073-00	s	METAL, CHIP 10K 5% 1/10W (2125)
R2110	1-216-073-00	s	METAL, CHIP 10K 5% 1/10W (2125)
R2111	1-216-073-00	s	METAL, CHIP 10K 5% 1/10W (2125)
R2112	1-216-073-00	s	METAL, CHIP 10K 5% 1/10W (2125)
R2113	1-216-073-00	s	METAL, CHIP 10K 5% 1/10W (2125)
R2114	1-216-049-00	s	METAL, CHIP 1.0K 5% 1/10W (2125)
R2116	1-216-089-00	s	METAL, CHIP 47K 5% 1/10W (2125)
R2117	1-216-049-00	s	METAL, CHIP 1.0K 5% 1/10W (2125)
R2118	*1 1-216-097-00	s	METAL, CHIP 100K 5% 1/10W (2125)
R2119	1-216-049-00	s	METAL, CHIP 1.0K 5% 1/10W (2125)
R2120	*1 1-216-073-00	s	METAL, CHIP 10K 5% 1/10W (2125)
R2121	*1 1-216-097-00	s	METAL, CHIP 100K 5% 1/10W (2125)
R2122	1-216-049-00	s	METAL, CHIP 1.0K 5% 1/10W (2125)
R2123	1-216-049-00	s	METAL, CHIP 1.0K 5% 1/10W (2125)
R2125	1-216-073-00	s	METAL, CHIP 10K 5% 1/10W (2125)
R2126	1-216-073-00	s	METAL, CHIP 10K 5% 1/10W (2125)
R2127	1-216-089-00	s	METAL, CHIP 47K 5% 1/10W (2125)
R2128	1-216-047-00	s	METAL, CHIP 820 5% 1/10W (2125)
R2129-2134	1-216-073-00	s	METAL, CHIP 10K 5% 1/10W (2125)
R2135	1-216-089-00	s	METAL, CHIP 47K 5% 1/10W (2125)
R2136	1-216-089-00	s	METAL, CHIP 47K 5% 1/10W (2125)
R2137	1-216-049-00	s	METAL, CHIP 1.0K 5% 1/10W (2125)
R2138	1-216-089-00	s	METAL, CHIP 47K 5% 1/10W (2125)
R2139	1-216-073-00	s	METAL, CHIP 10K 5% 1/10W (2125)
R2140	1-216-073-00	s	METAL, CHIP 10K 5% 1/10W (2125)
R2141	1-216-089-00	s	METAL, CHIP 47K 5% 1/10W (2125)
R2142	1-216-049-00	s	METAL, CHIP 1.0K 5% 1/10W (2125)
R2143	1-216-037-00	s	METAL, CHIP 330 5% 1/10W (2125)
R2173	1-216-073-00	s	METAL, CHIP 10K 5% 1/10W (2125)
R2200	1-216-089-00	s	METAL, CHIP 47K 5% 1/10W (2125)
R2201	1-216-089-00	s	METAL, CHIP 47K 5% 1/10W (2125)
R2202	1-216-089-00	s	METAL, CHIP 47K 5% 1/10W (2125)
R2203	1-216-037-00	s	METAL, CHIP 330 5% 1/10W (2125)
R2204	1-216-089-00	s	METAL, CHIP 47K 5% 1/10W (2125)
R2205	1-216-089-00	s	METAL, CHIP 47K 5% 1/10W (2125)
R2206	1-216-049-00	s	METAL, CHIP 1.0K 5% 1/10W (2125)
R2207	1-216-049-00	s	METAL, CHIP 1.0K 5% 1/10W (2125)
R2208	1-216-049-00	s	METAL, CHIP 1.0K 5% 1/10W (2125)
R2209	1-216-049-00	s	METAL, CHIP 1.0K 5% 1/10W (2125)
R2210	1-216-049-00	s	METAL, CHIP 1.0K 5% 1/10W (2125)
R2212	1-216-089-00	s	METAL, CHIP 47K 5% 1/10W (2125)
R2213	1-216-089-00	s	METAL, CHIP 47K 5% 1/10W (2125)
R2214	1-216-049-00	s	METAL, CHIP 1.0K 5% 1/10W (2125)
R2215	1-216-049-00	s	METAL, CHIP 1.0K 5% 1/10W (2125)
R2217	1-216-049-00	s	METAL, CHIP 1.0K 5% 1/10W (2125)
R2219	1-216-049-00	s	METAL, CHIP 1.0K 5% 1/10W (2125)
R2220	1-216-049-00	s	METAL, CHIP 1.0K 5% 1/10W (2125)

\*1: Board No. suffix 11 only

\*4: Board No. suffix 12 or higher

(SS-52A BOARD for DVW-A500P)

Ref. No. or Q'ty	Part No.	SP Description
R2221	1-216-089-00	s METAL, CHIP 47K 5% 1/10W (2125)
R2222	1-216-089-00	s METAL, CHIP 47K 5% 1/10W (2125)
R2223	1-216-049-00	s METAL, CHIP 1.0K 5% 1/10W (2125)
R2224	1-216-049-00	s METAL, CHIP 1.0K 5% 1/10W (2125)
R2225	1-216-073-00	s METAL, CHIP 10K 5% 1/10W (2125)
R2226	1-216-085-00	s METAL, CHIP 33K 5% 1/10W (2125)
R2227	1-216-073-00	s METAL, CHIP 10K 5% 1/10W (2125)
R2228	1-216-092-00	s METAL, CHIP 62K 5% 1/10W (2125)
R2229	1-216-055-00	s METAL, CHIP 1.8K 5% 1/10W (2125)
R2230	1-216-073-00	s METAL, CHIP 10K 5% 1/10W (2125)
R2231	1-216-073-00	s METAL, CHIP 10K 5% 1/10W (2125)
R2232	1-216-061-00	s METAL, CHIP 3.3K 5% 1/10W (2125)
R2300	1-216-089-00	s METAL, CHIP 47K 5% 1/10W (2125)
R2301	1-216-089-00	s METAL, CHIP 47K 5% 1/10W (2125)
R2302	1-216-025-00	s METAL, CHIP 100 5% 1/10W (2125)
R2303	1-216-025-00	s METAL, CHIP 100 5% 1/10W (2125)
R2304	1-216-675-11	s METAL, CHIP 10K 0.5% 1/10W (2125)
R2305	1-216-675-11	s METAL, CHIP 10K 0.5% 1/10W (2125)
R2306	1-216-675-11	s METAL, CHIP 10K 0.5% 1/10W (2125)
R2307	1-216-085-00	s METAL, CHIP 33K 5% 1/10W (2125)
R2308	1-216-667-11	s METAL, CHIP 4.7K 0.5% 1/10W
R2309	1-216-097-00	s METAL, CHIP 100K 5% 1/10W (2125)
R2310	1-216-667-11	s METAL, CHIP 4.7K 0.5% 1/10W
R2311	1-216-675-11	s METAL, CHIP 10K 0.5% 1/10W (2125)
R2312	1-216-091-00	s METAL, CHIP 56K 5% 1/10W (2125)
R2313	1-216-097-00	s METAL, CHIP 100K 5% 1/10W (2125)
R2314	1-216-091-00	s METAL, CHIP 56K 5% 1/10W (2125)
R2315	1-216-667-11	s METAL, CHIP 4.7K 0.5% 1/10W
R2316	1-216-689-11	s METAL, CHIP 39K 0.5% 1/10W (2125)
R2317	1-216-689-11	s METAL, CHIP 39K 0.5% 1/10W (2125)
R2318	1-216-675-11	s METAL, CHIP 10K 0.5% 1/10W (2125)
R2319	1-216-049-00	s METAL, CHIP 1.0K 5% 1/10W (2125)
R2320	1-216-049-00	s METAL, CHIP 1.0K 5% 1/10W (2125)
R2322	1-216-049-00	s METAL, CHIP 1.0K 5% 1/10W (2125)
R2323	1-216-073-00	s METAL, CHIP 10K 5% 1/10W (2125)
R2324	1-216-089-00	s METAL, CHIP 47K 5% 1/10W (2125)
R2325	1-216-049-00	s METAL, CHIP 1.0K 5% 1/10W (2125)
R2326	1-216-074-00	s METAL, CHIP 11K 5% 1/10W (2125)
R2327	1-216-059-00	s METAL, CHIP 2.7K 5% 1/10W (2125)
R2328	1-216-105-11	s METAL, CHIP 220K 5% 1/10W (2125)
R2329	1-216-073-00	s METAL, CHIP 10K 5% 1/10W (2125)
R2330	1-216-049-00	s METAL, CHIP 1.0K 5% 1/10W (2125)
R2331	1-216-089-00	s METAL, CHIP 47K 5% 1/10W (2125)
R2332	1-216-073-00	s METAL, CHIP 10K 5% 1/10W (2125)
R2333	1-216-049-00	s METAL, CHIP 1.0K 5% 1/10W (2125)
R2334	1-216-059-00	s METAL, CHIP 2.7K 5% 1/10W (2125)
R2335	1-216-105-11	s METAL, CHIP 220K 5% 1/10W (2125)
R2340	1-216-073-00	s METAL, CHIP 10K 5% 1/10W (2125)
R2341	1-216-073-00	s METAL, CHIP 10K 5% 1/10W (2125)
R2342	1-216-073-00	s METAL, CHIP 10K 5% 1/10W (2125)
R2344	1-216-073-00	s METAL, CHIP 10K 5% 1/10W (2125)
R2345	1-216-097-00	s METAL, CHIP 100K 5% 1/10W (2125)
R2346	1-216-073-00	s METAL, CHIP 10K 5% 1/10W (2125)
R2347	1-216-049-00	s METAL, CHIP 1.0K 5% 1/10W (2125)
R2348	1-208-812-11	s METAL, CHIP 18K 0.5% 1/10W (2125)
R2349	1-216-677-11	s METAL, CHIP 12K 0.5% 1/10W (2125)

(SS-52A BOARD for DVW-A500P)

Ref. No. or Q'ty	Part No.	SP Description
R2350	1-208-812-11	s METAL, CHIP 18K 0.5% 1/10W (2125)
R2351	1-216-688-11	s METAL, CHIP 36K 0.5% 1/10W (2125)
R2352	1-216-065-00	s METAL, CHIP 4.7K 5% 1/10W (2125)
R2354	1-216-025-00	s METAL, CHIP 100 5% 1/10W (2125)
R2355	1-216-667-11	s METAL, CHIP 4.7K 0.5% 1/10W (2125)
R2356	1-216-689-11	s METAL, CHIP 39K 0.5% 1/10W (2125)
R2400	1-216-097-00	s METAL, CHIP 100K 5% 1/10W (2125)
R2402	1-216-097-00	s METAL, CHIP 100K 5% 1/10W (2125)
R2404	1-216-049-00	s METAL, CHIP 1.0K 5% 1/10W (2125)
R2405	1-216-049-00	s METAL, CHIP 1.0K 5% 1/10W (2125)
R2406	1-216-089-00	s METAL, CHIP 47K 5% 1/10W (2125)
R2500	1-216-687-11	s METAL, CHIP 33K 0.5% 1/10W (2125)
R2501	1-216-687-11	s METAL, CHIP 33K 0.5% 1/10W (2125)
R2502	1-216-675-11	s METAL, CHIP 10K 0.5% 1/10W (2125)
R2503	1-216-675-11	s METAL, CHIP 10K 0.5% 1/10W (2125)
R2504	1-216-675-11	s METAL, CHIP 10K 0.5% 1/10W (2125)
R2505	1-216-675-11	s METAL, CHIP 10K 0.5% 1/10W (2125)
R2506	1-216-651-11	s METAL, CHIP 1.0K 0.5% 1/10W (2125)
R2507	1-216-651-11	s METAL, CHIP 1.0K 0.5% 1/10W (2125)
R2508	1-216-689-11	s METAL, CHIP 39K 0.5% 1/10W (2125)
R2509	1-216-689-11	s METAL, CHIP 39K 0.5% 1/10W (2125)
R2510	1-218-758-11	s METAL, CHIP 180K 0.5% 1/10W (2125)
R2511	1-218-758-11	s METAL, CHIP 180K 0.5% 1/10W (2125)
R2512	1-216-663-11	s METAL, CHIP 3.3K 0.5% 1/10W (2125)
R2513	1-216-663-11	s METAL, CHIP 3.3K 0.5% 1/10W (2125)
R2514	1-216-694-11	s METAL, CHIP 62K 0.5% 1/10W (2125)
R2515	1-216-665-11	s METAL, CHIP 3.9K 0.5% 1/10W (2125)
R2516	1-216-694-11	s METAL, CHIP 62K 0.5% 1/10W (2125)
R2517	1-216-665-11	s METAL, CHIP 3.9K 0.5% 1/10W (2125)
R2518	1-216-692-11	s METAL, CHIP 51K 0.5% 1/10W (2125)
R2519	1-216-692-11	s METAL, CHIP 51K 0.5% 1/10W (2125)
R2520	1-216-295-00	s METAL, CHIP 0 (2125)
R2521	1-218-756-11	s METAL, CHIP 150K 0.5% 1/10W (2125)
R2522	1-216-651-11	s METAL, CHIP 1.0K 0.5% 1/10W (2125)
R2523	1-216-651-11	s METAL, CHIP 1.0K 0.5% 1/10W (2125)
R2524	1-216-667-11	s METAL, CHIP 4.7K 0.5% 1/10W (2125)
R2526	1-216-073-00	s METAL, CHIP 10K 5% 1/10W (2125)
R2527	1-216-073-00	s METAL, CHIP 10K 5% 1/10W (2125)
R2528-2535	1-216-687-11	s METAL, CHIP 33K 0.5% 1/10W (2125)
R2536	1-216-675-11	s METAL, CHIP 10K 0.5% 1/10W (2125)
R2537	1-216-675-11	s METAL, CHIP 10K 0.5% 1/10W (2125)
R2538	1-216-675-11	s METAL, CHIP 10K 0.5% 1/10W (2125)
R2539	1-216-675-11	s METAL, CHIP 10K 0.5% 1/10W (2125)
R2540	1-216-687-11	s METAL, CHIP 33K 0.5% 1/10W (2125)
R2541	1-216-687-11	s METAL, CHIP 33K 0.5% 1/10W (2125)
R2542	1-216-687-11	s METAL, CHIP 33K 0.5% 1/10W (2125)
R2543	1-216-687-11	s METAL, CHIP 33K 0.5% 1/10W (2125)
R2544	1-216-073-00	s METAL, CHIP 10K 5% 1/10W (2125)
R2545	1-216-089-00	s METAL, CHIP 47K 5% 1/10W (2125)
R2546	1-216-655-11	s METAL, CHIP 1.5K 0.5% 1/10W (2125)
R2547	1-218-756-11	s METAL, CHIP 150K 0.5% 1/10W (2125)
R2548	1-216-687-11	s METAL, CHIP 33K 0.5% 1/10W (2125)
R2549	1-216-687-11	s METAL, CHIP 33K 0.5% 1/10W (2125)
R2550	1-218-776-11	s METAL, CHIP 1.0M 0.5% 1/10W (2125)
R2551	1-216-687-11	s METAL, CHIP 33K 0.5% 1/10W (2125)

## (SS-52A BOARD for DVW-A500P)

Ref. No. or Q'ty	Part No.	SP	Description
R2552	1-216-687-11	s	METAL, CHIP 33K 0.5% 1/10W (2125)
R2553	1-216-073-00	s	METAL, CHIP 10K 5% 1/10W (2125)
R2554	1-216-089-00	s	METAL, CHIP 47K 5% 1/10W (2125)
R2700	1-216-089-00	s	METAL, CHIP 47K 5% 1/10W (2125)
R2701	1-216-089-00	s	METAL, CHIP 47K 5% 1/10W (2125)
R2702	1-216-025-00	s	METAL, CHIP 100 5% 1/10W (2125)
R2703	1-216-025-00	s	METAL, CHIP 100 5% 1/10W (2125)
R2704	1-216-675-11	s	METAL, CHIP 10K 0.5% 1/10W
R2705	1-216-675-11	s	METAL, CHIP 10K 0.5% 1/10W (2125)
R2706	1-216-675-11	s	METAL, CHIP 10K 0.5% 1/10W (2125)
R2707	1-216-667-11	s	METAL, CHIP 4.7K 0.5% 1/10W
R2708	1-216-085-00	s	METAL, CHIP 33K 5% 1/10W (2125)
R2709	1-216-667-11	s	METAL, CHIP 4.7K 0.5% 1/10W
R2710	1-216-097-00	s	METAL, CHIP 100K 5% 1/10W (2125)
R2711	1-216-675-11	s	METAL, CHIP 10K 0.5% 1/10W (2125)
R2712	1-216-091-00	s	METAL, CHIP 56K 5% 1/10W (2125)
R2713	1-216-097-00	s	METAL, CHIP 100K 5% 1/10W (2125)
R2714	1-216-091-00	s	METAL, CHIP 56K 5% 1/10W (2125)
R2715	1-216-667-11	s	METAL, CHIP 4.7K 0.5% 1/10W
R2716	1-216-689-11	s	METAL, CHIP 39K 0.5% 1/10W (2125)
R2717	1-216-689-11	s	METAL, CHIP 39K 0.5% 1/10W (2125)
R2718	1-216-675-11	s	METAL, CHIP 10K 0.5% 1/10W (2125)
R2719	1-216-049-00	s	METAL, CHIP 1.0K 5% 1/10W (2125)
R2720	1-216-049-00	s	METAL, CHIP 1.0K 5% 1/10W (2125)
R2722	1-216-049-00	s	METAL, CHIP 1.0K 5% 1/10W (2125)
R2723	1-216-073-00	s	METAL, CHIP 10K 5% 1/10W (2125)
R2724	1-216-089-00	s	METAL, CHIP 47K 5% 1/10W (2125)
R2725	1-216-049-00	s	METAL, CHIP 1.0K 5% 1/10W (2125)
R2726	1-216-074-00	s	METAL, CHIP 11K 5% 1/10W (2125)
R2727	1-216-059-00	s	METAL, CHIP 2.7K 5% 1/10W (2125)
R2728	1-216-105-11	s	METAL, CHIP 220K 5% 1/10W (2125)
R2729	1-216-073-00	s	METAL, CHIP 10K 5% 1/10W (2125)
R2730	1-216-049-00	s	METAL, CHIP 1.0K 5% 1/10W (2125)
R2731	1-216-089-00	s	METAL, CHIP 47K 5% 1/10W (2125)
R2732	1-216-073-00	s	METAL, CHIP 10K 5% 1/10W (2125)
R2733	1-216-049-00	s	METAL, CHIP 1.0K 5% 1/10W (2125)
R2734	1-216-059-00	s	METAL, CHIP 2.7K 5% 1/10W (2125)
R2735	1-216-105-11	s	METAL, CHIP 220K 5% 1/10W (2125)
R2740	1-216-073-00	s	METAL, CHIP 10K 5% 1/10W (2125)
R2741	1-216-073-00	s	METAL, CHIP 10K 5% 1/10W (2125)
R2743	1-216-073-00	s	METAL, CHIP 10K 5% 1/10W (2125)
R2744	1-216-049-00	s	METAL, CHIP 1.0K 5% 1/10W (2125)
R2745	1-216-073-00	s	METAL, CHIP 10K 5% 1/10W (2125)
R2746	1-208-812-11	s	METAL, CHIP 18K 0.5% 1/10W (2125)
R2747	1-216-097-00	s	METAL, CHIP 100K 5% 1/10W (2125)
R2748	1-216-073-00	s	METAL, CHIP 10K 5% 1/10W (2125)
R2749	1-216-677-11	s	METAL, CHIP 12K 0.5% 1/10W (2125)
R2750	1-208-812-11	s	METAL, CHIP 18K 0.5% 1/10W (2125)
R2751	1-216-688-11	s	METAL, CHIP 36K 0.5% 1/10W (2125)
R2752	1-216-065-00	s	METAL, CHIP 4.7K 5% 1/10W (2125)
R2754	1-216-073-00	s	METAL, CHIP 10K 5% 1/10W (2125)
R2755	1-216-080-00	s	METAL, CHIP 20K 5% 1/10W (2125)
R3000	1-216-689-11	s	METAL, CHIP 39K 0.5% 1/10W (2125)
R3001-3003			
	*4 1-216-073-00	s	METAL, CHIP 10K 5% 1/10W (2125)
	*1 1-249-429-11	s	CARBON 10K 5% 1/4W

## (SS-52A BOARD for DVW-A500P)

Ref. No. or Q'ty	Part No.	SP	Description
R3004	*4 1-216-065-00	s	METAL, CHIP 4.7K 5% 1/10W (2125)
	*1 1-249-425-11	s	CARBON 4.7K 5% 1/4W
R3005	*4 1-216-065-00	s	METAL, CHIP 4.7K 5% 1/10W (2125)
	*1 1-249-425-11	s	CARBON 4.7K 5% 1/4W
R3006	*4 1-216-121-00	s	METAL, CHIP 1.0M 5% 1/10W (2125)
	*1 1-247-903-00	s	CARBON 1.0M 5% 1/4W
R3007	*4 1-216-121-00	s	METAL, CHIP 1.0M 5% 1/10W (2125)
	*1 1-259-880-11	s	CARBON 2.2M 5% 1/4W
R3008	*4 1-216-073-00	s	METAL, CHIP 10K 5% 1/10W (2125)
	*1 1-249-429-11	s	CARBON 10K 5% 1/4W
R3009	*1 1-249-429-11	s	CARBON 10K 5% 1/4W
R3010	*1 1-249-429-11	s	CARBON 10K 5% 1/4W
RB100	1-239-308-11	s	RESISTOR BLOCK, CHIP 47Kx8
RB101	1-239-308-11	s	RESISTOR BLOCK, CHIP 47Kx8
RB103	1-239-308-11	s	RESISTOR BLOCK, CHIP 47Kx8
RB105	1-239-464-11	s	RESISTOR BLOCK, CHIP 2.2Kx8
RB106	1-239-464-11	s	RESISTOR BLOCK, CHIP 2.2Kx8
RB107	1-239-464-11	s	RESISTOR BLOCK, CHIP 2.2Kx8
RB109	1-239-308-11	s	RESISTOR BLOCK, CHIP 47Kx8
RB110	1-239-308-11	s	RESISTOR BLOCK, CHIP 47Kx8
RB300	1-239-308-11	s	RESISTOR BLOCK, CHIP 47Kx8
RB301	1-239-308-11	s	RESISTOR BLOCK, CHIP 47Kx8
RB302	1-239-308-11	s	RESISTOR BLOCK, CHIP 47Kx8
RB304	1-239-308-11	s	RESISTOR BLOCK, CHIP 47Kx8
RB305	1-239-308-11	s	RESISTOR BLOCK, CHIP 47Kx8
RB306	1-239-308-11	s	RESISTOR BLOCK, CHIP 47Kx8
RB307	1-239-308-11	s	RESISTOR BLOCK, CHIP 47Kx8
RB600	1-239-464-11	s	RESISTOR BLOCK, CHIP 2.2Kx8
RB700	1-239-308-11	s	RESISTOR BLOCK, CHIP 47Kx8
RB701	1-239-308-11	s	RESISTOR BLOCK, CHIP 47Kx8
RB800	1-236-904-11	s	RES, NETWORK, CHIP 1Kx4
RB802	1-239-412-11	s	RES, NETWORK, CHIP 100x4
RB803	1-236-904-11	s	RES, NETWORK, CHIP 1Kx4
RB804	1-239-306-11	s	RESISTOR BLOCK, CHIP 10Kx8
RB805	1-236-904-11	s	RES, NETWORK, CHIP 1Kx4
RB806	1-236-904-11	s	RES, NETWORK, CHIP 1Kx4
RB807	1-236-904-11	s	RES, NETWORK, CHIP 1Kx4
RB808	1-236-904-11	s	RES, NETWORK, CHIP 1Kx4
RB809	1-239-306-11	s	RESISTOR BLOCK, CHIP 10Kx8
RB810	1-239-412-11	s	RES, NETWORK, CHIP 100x4
RB901	1-236-904-11	s	RES, NETWORK, CHIP 1Kx4
RB902	1-236-904-11	s	RES, NETWORK, CHIP 1Kx4
RB903	1-236-908-11	s	RES, NETWORK, CHIP 10Kx4
RB2100	1-239-419-11	s	RES, NETWORK, CHIP 470x4
RB2101	1-239-419-11	s	RES, NETWORK, CHIP 470x4
RB2102	1-239-419-11	s	RES, NETWORK, CHIP 470x4
RB2103	1-239-419-11	s	RES, NETWORK, CHIP 470x4
RB2104	1-239-308-11	s	RESISTOR BLOCK, CHIP 47Kx8
RB2105	1-239-308-11	s	RESISTOR BLOCK, CHIP 47Kx8
RB2106	1-239-308-11	s	RESISTOR BLOCK, CHIP 47Kx8
RB2107	1-239-308-11	s	RESISTOR BLOCK, CHIP 47Kx8
RV700	1-241-785-11	s	RES, ADJ, CERMET 10K

-----  
 \*1: Board No. suffix 11 only  
 \*4: Board No. suffix 12 or higher

(SS-52A BOARD for DVW-A500P)

Ref. No. or Q'ty	Part No.	SP Description
S100	1-692-536-11	s SWITCH, DIP 8-CKT
S102	1-692-535-11	s SWITCH, DIP 4-CKT
S300-302	1-572-473-11	s SWITCH, PUSH
S303	1-692-535-11	s SWITCH, DIP 4-CKT
S700	1-572-473-11	s SWITCH, PUSH
S701	1-692-536-11	s SWITCH, DIP 8-CKT
S2100	1-572-473-11	s SWITCH, PUSH
S2101	1-692-536-11	s SWITCH, DIP 8-CKT
X3	1-760-075-21	s RESONATOR, CERAMIC 2.4570 MHz
X4	1-760-014-11	s RESONATOR, CERAMIC 20.0 MHz
X500	1-579-993-21	s CRYSTAL 13.50 MHz
X501	1-579-995-21	s CRYSTAL 17.734475 MHz
X600	1-579-930-12	s RESONATOR, CERAMIC 16.0 MHz
X700	1-579-996-21	s RESONATOR, CERAMIC 20.0 MHz
X800	1-579-996-21	s RESONATOR, CERAMIC 20.0 MHz
X2100	1-579-996-21	s RESONATOR, CERAMIC 20.0 MHz
X2200	1-579-996-21	s RESONATOR, CERAMIC 20.0 MHz

SW-537 BOARD

Ref. No. or Q'ty	Part No.	SP Description
1pc	1-642-085-11	o PRINTED CIRCUIT BOARD, SW-537
D1	8-719-941-23	s DIODE DA204U

SWC-17 BOARD

Ref. No. or Q'ty	Part No.	SP Description
1pc	A-8275-076-A	o MOUNTED CIRCUIT BOARD, SWC-17
1pc	4-937-336-11	s HOLDER, LED
C101,102	1-126-795-11	s ELECT 10uF 20% 50V
C103-105	1-163-033-00	s CERAMIC, CHIP 0.022uF 50V (2125)
C201-224	1-107-686-11	s TANTALUM, CHIP 4.7uF 20% 16V
CN560	1-751-360-11	s CABLE, FLAT 26P (FRONT SW2)
D101-112	8-719-024-81	s DIODE 1SS300
D113-118	8-719-041-80	s LED TLG255A, GRN
D119,120	8-719-041-85	s LED TLY255A, YEL
D121	8-719-820-36	s LED TLS255A, RED
D201-203	8-719-041-85	s LED TLY255A, YEL
D204-206	8-719-820-36	s LED TLS255A, RED
D207-209	8-719-041-80	s LED TLG255A, GRN
IC101	8-759-586-01	s IC TD62003P (J, S)
Q101-105	8-729-923-62	s TRANSISTOR DTA123JK
Q106-113	8-729-140-63	s TRANSISTOR 2SA1611-M5M6
Q114-121	8-729-924-56	s TRANSISTOR DTC123JU
Q201-204	8-729-900-51	s TRANSISTOR DTA114TK
Q205-208	8-729-117-32	s TRANSISTOR 2SC4177-L6
Q209-211	8-729-900-51	s TRANSISTOR DTA114TK
Q212-216	8-729-117-32	s TRANSISTOR 2SC4177-L6
Q217-220	8-729-900-51	s TRANSISTOR DTA114TK
Q221-225	8-729-117-32	s TRANSISTOR 2SC4177-L6
Q226-228	8-729-900-51	s TRANSISTOR DTA114TK
Q229-232	8-729-117-32	s TRANSISTOR 2SC4177-L6
Q233-235	8-729-900-51	s TRANSISTOR DTA114TK
Q236-239	8-729-117-32	s TRANSISTOR 2SC4177-L6
Q240-242	8-729-900-51	s TRANSISTOR DTA114TK
Q243-246	8-729-117-32	s TRANSISTOR 2SC4177-L6
Q247-249	8-729-900-51	s TRANSISTOR DTA114TK
Q250-252	8-729-117-32	s TRANSISTOR 2SC4177-L6
Q253	8-729-900-51	s TRANSISTOR DTA114TK
Q254	8-729-117-32	s TRANSISTOR 2SC4177-L6
R114	1-220-254-11	s METAL, CHIP 56 5% 1/4W (3225)
R115,116	1-216-057-00	s METAL, CHIP 2.2K 5% 1/10W (2125)
R117	1-220-254-11	s METAL, CHIP 56 5% 1/4W (3225)
R118,119	1-216-057-00	s METAL, CHIP 2.2K 5% 1/10W (2125)
R120,121	1-220-254-11	s METAL, CHIP 56 5% 1/4W (3225)
R122,123	1-216-057-00	s METAL, CHIP 2.2K 5% 1/10W (2125)
R124	1-220-254-11	s METAL, CHIP 56 5% 1/4W (3225)
R125,126	1-216-057-00	s METAL, CHIP 2.2K 5% 1/10W (2125)
R127	1-220-254-11	s METAL, CHIP 56 5% 1/4W (3225)
R128,129	1-216-057-00	s METAL, CHIP 2.2K 5% 1/10W (2125)
R130,131	1-220-254-11	s METAL, CHIP 56 5% 1/4W (3225)
R132,133	1-216-057-00	s METAL, CHIP 2.2K 5% 1/10W (2125)
R134	1-220-254-11	s METAL, CHIP 56 5% 1/4W (3225)
R135-138	1-216-057-00	s METAL, CHIP 2.2K 5% 1/10W (2125)
R201-204	1-216-013-00	s METAL, CHIP 33 5% 1/10W (2125)
R205-212	1-216-065-00	s METAL, CHIP 4.7K 5% 1/10W (2125)
R213-215	1-220-261-11	s METAL, CHIP 470 5% 1/4W (3225)
R216	1-218-780-11	s METAL, CHIP 270 5% 1/4W (3225)
R217-219	1-216-013-00	s METAL, CHIP 33 5% 1/10W (2125)
R220	1-218-780-11	s METAL, CHIP 270 5% 1/4W (3225)



## (SWC-17 BOARD)

Ref. No. or Q'ty	Part No.	SP	Description
R221-226	1-216-065-00	s	METAL, CHIP 4.7K 5% 1/10W (2125)
R227-229	1-220-261-11	s	METAL, CHIP 470 5% 1/4W (3225)
R230	1-218-780-11	s	METAL, CHIP 270 5% 1/4W (3225)
R231	1-216-013-00	s	METAL, CHIP 33 5% 1/10W (2125)
R232	1-216-065-00	s	METAL, CHIP 4.7K 5% 1/10W (2125)
R233-235	1-216-013-00	s	METAL, CHIP 33 5% 1/10W (2125)
R236-242	1-216-065-00	s	METAL, CHIP 4.7K 5% 1/10W (2125)
R243-245	1-220-261-11	s	METAL, CHIP 470 5% 1/4W (3225)
R246,247	1-218-780-11	s	METAL, CHIP 270 5% 1/4W (3225)
R248-250	1-216-013-00	s	METAL, CHIP 33 5% 1/10W (2125)
R251-256	1-216-065-00	s	METAL, CHIP 4.7K 5% 1/10W (2125)
R257	1-218-780-11	s	METAL, CHIP 270 5% 1/4W (3225)
R258-260	1-220-261-11	s	METAL, CHIP 470 5% 1/4W (3225)
R261	1-216-013-00	s	METAL, CHIP 33 5% 1/10W (2125)
R262	1-216-065-00	s	METAL, CHIP 4.7K 5% 1/10W (2125)
R263,264	1-216-013-00	s	METAL, CHIP 33 5% 1/10W (2125)
R265-269	1-216-065-00	s	METAL, CHIP 4.7K 5% 1/10W (2125)
R270	1-218-780-11	s	METAL, CHIP 270 5% 1/4W (3225)
R271,272	1-220-261-11	s	METAL, CHIP 470 5% 1/4W (3225)
R273	1-218-780-11	s	METAL, CHIP 270 5% 1/4W (3225)
R274-276	1-216-013-00	s	METAL, CHIP 33 5% 1/10W (2125)
R277-282	1-216-065-00	s	METAL, CHIP 4.7K 5% 1/10W (2125)
R283	1-218-780-11	s	METAL, CHIP 270 5% 1/4W (3225)
R284,285	1-220-261-11	s	METAL, CHIP 470 5% 1/4W (3225)
R286	*2 1-220-260-11	s	METAL, CHIP 390 5% 1/4W (3225)
	*1 1-218-780-11	s	METAL, CHIP 270 5% 1/4W (3225)
R287-289	1-216-013-00	s	METAL, CHIP 33 5% 1/10W (2125)
R290-295	1-216-065-00	s	METAL, CHIP 4.7K 5% 1/10W (2125)
R296,297	1-220-261-11	s	METAL, CHIP 470 5% 1/4W (3225)
R298	*2 1-220-260-11	s	METAL, CHIP 390 5% 1/4W (3225)
	*1 1-218-780-11	s	METAL, CHIP 270 5% 1/4W (3225)
R299	1-216-013-00	s	METAL, CHIP 33 5% 1/10W (2125)
R300,301	1-216-065-00	s	METAL, CHIP 4.7K 5% 1/10W (2125)
R302	1-220-261-11	s	METAL, CHIP 470 5% 1/4W (3225)
RB101	1-239-305-11	s	RESISTOR BLOCK, CHIP 4.7Kx8
RB102	1-239-306-11	s	RESISTOR BLOCK, CHIP 10Kx8
S201-216	1-692-537-11	s	SWITCH, PUSH (WITH LED)
S217	*2 1-762-042-11	s	SWITCH, PUSH (WITH LED)
	*1 1-554-048-00	s	SWITCH, PUSH (WITH LED)
S218,219	1-692-537-11	s	SWITCH, PUSH (WITH LED)
S220	*2 1-762-042-11	s	SWITCH, PUSH (WITH LED)
	*1 1-554-048-00	s	SWITCH, PUSH (WITH LED)
S221	1-692-537-11	s	SWITCH, PUSH (WITH LED)

\*1: Board No. suffix 11 only  
\*2: Board No. suffix 12 or higher

## SWC-18 BOARD

Ref. No. or Q'ty	Part No.	SP	Description
lpc	A-8275-071-A	o	MOUNTED CIRCUIT BOARD, SWC-18A (For DVW-A500P)
	A-8275-157-A	o	MOUNTED CIRCUIT BOARD, SWC-18 (For DVW-500P)
C101	1-163-251-11	s	CERAMIC, CHIP 100pF 5% 50V (2125)
C102	1-126-795-11	s	ELECT 10uF 20% 50V
C103-105	1-163-251-11	s	CERAMIC, CHIP 100pF 5% 50V (2125)
C106	1-163-037-11	s	CERAMIC, CHIP 0.022uF 10% 25V (2125)
C107-108	1-163-251-11	s	CERAMIC, CHIP 100pF 5% 50V (2125)
C110,111	1-163-037-11	s	CERAMIC, CHIP 0.022uF 10% 25V (2125)
C112	1-126-795-11	s	ELECT 10uF 20% 50V
C113	1-163-037-11	s	CERAMIC, CHIP 0.022uF 10% 25V (2125)
C114	1-126-795-11	s	ELECT 10uF 20% 50V
C115-120	1-163-251-11	s	CERAMIC, CHIP 100pF 5% 50V (2125)
C121	1-163-037-11	s	CERAMIC, CHIP 0.022uF 10% 25V (2125)
C122	1-163-251-11	s	CERAMIC, CHIP 100pF 5% 50V (2125)
C123-128	1-163-037-11	s	CERAMIC, CHIP 0.022uF 10% 25V (2125)
C129,130	1-104-553-11	s	FILM, CHIP 0.015uF 5% 16V (3216)
C131,132	1-163-017-00	s	CERAMIC, CHIP 4700pF 10% 50V (2125)
C133,134	1-163-037-11	s	CERAMIC, CHIP 0.022uF 10% 25V (2125)
C135,136	1-163-137-00	s	CERAMIC, CHIP 680pF 5% 50V (2125)
CN570	1-565-429-11	o	CONNECTOR, FLAT CABLE 34P, MALE
D101-107	8-719-024-81	s	DIODE 1SS300
IC101	8-759-995-03	s	IC LT1021DCS8-5
IC102	8-759-300-71	s	IC HD14053BFP
IC103	8-759-300-71	s	IC HD14053BFP
IC104	8-759-300-71	s	IC HD14053BFP
IC105	8-759-175-74	s	IC M62301FP
IC106	8-759-175-74	s	IC M62301FP
Q101	8-729-140-63	s	TRANSISTOR 2SA1611-M5M6
Q102,103	8-729-905-12	s	TRANSISTOR DTA144EU
R101	1-216-073-00	s	METAL, CHIP 10K 5% 1/10W (2125)
R102	1-218-780-11	s	METAL, CHIP 270 5% 1/4W (3225)
R103	1-216-069-00	s	METAL, CHIP 6.8K 5% 1/10W (2125)
R104-106	1-216-073-00	s	METAL, CHIP 10K 5% 1/10W (2125)
R112,113	1-216-073-00	s	METAL, CHIP 10K 5% 1/10W (2125)
R114,115	1-216-679-11	s	METAL, CHIP 15K 0.5% 1/10W (2125)
R119,120	1-216-025-00	s	METAL, CHIP 100 5% 1/10W (2125)
RB101	1-239-306-11	s	RESISTOR BLOCK, CHIP 10Kx8
RV101	1-237-696-11	s	RES, VAR, CARBON 5K
RV102	1-237-696-11	s	RES, VAR, CARBON 5K
RV103	1-237-696-11	s	RES, VAR, CARBON 5K
RV104	1-237-695-11	s	RES, VAR, CARBON 5K
RV105	1-237-696-11	s	RES, VAR, CARBON 5K
RV106	1-237-695-11	s	RES, VAR, CARBON 5K
RV107	*A 1-237-696-11	s	RES, VAR, CARBON 5K
S101-104	1-570-157-51	s	SWITCH, SLIDE
S105	1-572-374-11	s	SWITCH, SLIDE
S106	1-570-157-51	s	SWITCH, SLIDE
S107	*A 1-570-157-51	s	SWITCH, SLIDE
S108	1-572-374-11	s	SWITCH, SLIDE

\*A: For DVW-A500P only

(SWC-18 BOARD)

Ref. No.  
or Q'ty Part No. SP Description  
S109-113 1-570-157-51 s SWITCH, SLIDE

-----  
SWC-19 BOARD  
-----

Ref. No.  
or Q'ty Part No. SP Description  
1pc A-8275-080-A o MOUNTED CIRCUIT BOARD, SWC-19AP  
(For DVW-A500P)  
A-8275-159-A o MOUNTED CIRCUIT BOARD, SWC-19P  
(For DVW-500P)  
1pc \*3 3-194-030-02 o PLATE, GUARD  
C1 1-124-584-00 s ELECT 100uF 20% 10V  
C2 1-163-033-00 s CERAMIC, CHIP 0.022uF 50V (2125)  
C3 1-125-565-11 s DOUBLE LAYERS 0.22FARAD 5.5V  
C4 1-164-232-11 s CERAMIC, CHIP 0.01uF 10% 100V (2125)  
C5 1-163-033-00 s CERAMIC, CHIP 0.022uF 50V (2125)  
C9 1-163-033-00 s CERAMIC, CHIP 0.022uF 50V (2125)  
C10-12 1-163-033-00 s CERAMIC, CHIP 0.022uF 50V (2125)  
C14 1-163-038-00 s CERAMIC, CHIP 0.1uF 25V (2125)  
CN148 1-568-079-11 s CONNECTOR, HINGE 20P, FEMALE  
CN580 1-750-877-11 s CONNECTOR, FLAT CABLE 16P, MALE  
D1 8-719-026-16 s LED CL-150D-CD, ORG  
D2 8-719-974-51 s DIODE SB20-03P  
D3 \*1 8-719-052-27 s DIODE 1SS351  
D4 \*2 8-719-921-20 s DIODE 1SS119-25  
FL1-4 1-412-694-11 s INDUCTOR, BEED  
IC1 8-759-175-75 s IC M51954BFP  
IC2 8-759-582-57 s IC UPD78011FGC-577-AB8  
IC3-6 6-705-017-01 s IC BR9020F-WE2  
IC7 8-759-548-91 s IC S-80830ALUP-EAT-T2  
R2 1-216-073-00 s METAL, CHIP 10K 5% 1/10W (2125)  
R3 1-216-049-00 s METAL, CHIP 1.0K 5% 1/10W (2125)  
R4-8 1-216-097-00 s METAL, CHIP 100K 5% 1/10W (2125)  
R16 1-216-045-00 s METAL, CHIP 680 5% 1/10W (2125)  
R18 1-216-097-00 s METAL, CHIP 100K 5% 1/10W (2125)  
R20,21 1-216-097-00 s METAL, CHIP 100K 5% 1/10W (2125)  
R23-25 1-216-097-00 s METAL, CHIP 100K 5% 1/10W (2125)  
RB1 1-239-309-11 s RESISTOR BLOCK, CHIP 100Kx8  
S2 1-571-908-11 s SWITCH, SLIDE  
S3,4,6 1-570-157-51 s SWITCH, SLIDE  
S7 \*A 1-570-157-51 s SWITCH, SLIDE  
S8 1-571-908-11 s SWITCH, SLIDE  
S12,13 1-570-157-51 s SWITCH, SLIDE  
X1 1-579-599-21 s RESONATOR, CERAMIC 8.38 MHz

-----  
\*A: For DVW-A500P only  
\*1: LOT No. 705 through 810  
\*2: LOT No. 707 through 810  
\*3: LOT No. 710 or higher  
-----

-----  
 SOPS-1019C BOARD of Switching regulator  
 -----

Ref. No. or Q'ty	Part No.	SP Description
1pc	9-936-257-01	o MOUNTED CIRCUIT BOARD, SOPS-1019C
C181	1-136-169-00	s FILM 0.22uF 5% 50V
C182	1-163-157-00	s CERAMIC, CHIP 10pF 5% 50V (3216)
C183	1-124-465-00	s ELECT 0.47uF 20% 50V
C184	1-130-046-00	s FILM 150pF 5% 50V
C185	1-136-165-00	s FILM 0.1uF 5% 50V
C186	1-163-157-00	s CERAMIC, CHIP 10pF 5% 50V (3216)
C187	1-163-157-00	s CERAMIC, CHIP 10pF 5% 50V (3216)
C188	1-163-157-00	s CERAMIC, CHIP 10pF 5% 50V (3216)
C189	1-124-242-00	s ELECT 33uF 20% 25V
C190	1-130-048-00	s FILM 220pF 5% 50V
C191	1-136-165-00	s FILM 0.1uF 5% 50V
C192	1-124-248-00	s ELECT 22uF 20% 35V
C193	1-126-096-11	s ELECT 10uF 20% 35V
D182	8-719-110-16	s DIODE RD10ES-B1
or	8-719-110-17	s DIODE RD10ES-B2
D183	8-719-200-02	s DIODE 10E2
D184	8-719-110-57	s DIODE RD22ES-B2
or	8-719-110-58	s DIODE RD22ES-B3
D185	8-719-109-85	s DIODE RD5.1ES-B2
or	8-719-109-86	s DIODE RD5.1ES-B3
IC151	8-759-637-30	s IC M51978P
Q181	8-729-119-78	s TRANSISTOR 2SC2785-HFE
Q182	8-729-900-80	s TRANSISTOR DTC114ES
R181	1-249-421-11	s CARBON 2.2K 5% 1/4W
R182	1-249-433-11	s CARBON 22K 5% 1/4W
R183	Δ 1-249-393-11	s CARBON 10 5% 1/4W
R184	1-249-441-11	s CARBON 100K 5% 1/4W
R185	1-249-441-11	s CARBON 100K 5% 1/4W
R186	1-249-433-11	s CARBON 22K 5% 1/4W
R187	1-215-451-00	s METAL 18K 1% 1/6W
R188	1-249-397-11	s CARBON 22 5% 1/4W
R189	1-249-397-11	s CARBON 22 5% 1/4W
R190	1-249-393-11	s CARBON 10 5% 1/4W
R191	1-249-441-11	s CARBON 100K 5% 1/4W
R192	1-247-807-31	s CARBON 100 5% 1/4W
R193	1-247-895-00	s CARBON 470K 5% 1/4W
R194	1-249-433-11	s CARBON 22K 5% 1/4W
R195	1-247-903-00	s CARBON 1.0M 5% 1/4W
R196	1-249-427-11	s CARBON 6.8K 5% 1/4W

-----  
 SOPS-1042A BOARD of Switching regulator  
 -----

Ref. No. or Q'ty	Part No.	SP Description
1pc	9-936-256-01	o MOUNTED CIRCUIT BOARD, SOPS-1042A (This assembly includes the SOPS-1019C and SOPS-1042S mounted circuit boards.)
1pc	X-4560-000-1	o HEAT SINK (1042A) ASSY (for D201, D202, D203, and D204)
1pc	X-4560-001-1	o HEAT SINK (1042B) ASSY (for F151, Q151, and Q152)
1pc	X-4560-002-1	o HEAT SINK (1042D) ASSY (for D210, D211, and D212)
1pc	X-4560-003-1	o HEAT SINK (1042E) ASSY (for F201, D206, and Q202)
10pcs	1-543-060-00	s BEAD, FERRITE (for D201, D203, D204, D210, D211, or D212)
2pcs	1-543-923-11	s BEAD, FERRITE (for D202)
1pc	Δ 1-951-683-11	o HARNESS (SOPS-1042)
1pc	2-430-773-01	s SCREW, M3x6
1pc	2-625-674-02	o PLATE (1019), GROUND
2pcs	2-625-794-01	s RUBBER (TO-3P), INSULATING (for Q151 or Q152)
13pcs	3-899-248-31	s SCREW, M3x12 (for D201-D204, D206, D210-D212, F151, F201, Q151, Q152, or Q202)
C151	1-111-259-11	s ELECT 47uF 20% 450V
C152	1-136-165-00	s FILM 0.1uF 5% 50V
C153	1-124-477-11	s ELECT 47uF 20% 25V
C154	1-136-165-00	s FILM 0.1uF 5% 50V
C155	Δ 1-161-741-00	s CERAMIC 1000pF 10% 400V
C156	Δ 1-161-741-00	s CERAMIC 1000pF 10% 400V
C157	1-136-207-11	s FILM 0.047uF 10% 630V
C158	1-124-478-11	s ELECT 100uF 20% 25V
C159	1-136-346-11	s FILM 0.22uF 20% 125V
C160	1-136-207-11	s FILM 0.047uF 10% 630V
C161	1-136-165-00	s FILM 0.1uF 5% 50V
C162	1-111-259-11	s ELECT 47uF 20% 450V
C163	1-130-471-00	s MYLAR 0.001uF 5% 50V
C202	1-164-646-11	s CERAMIC 2200pF 10% 500V
C203	1-164-646-11	s CERAMIC 2200pF 10% 500V
C204	1-128-490-51	s ELECT 2200uF 20% 10V
C205	1-128-490-51	s ELECT 2200uF 20% 10V
C206	1-128-114-51	s ELECT 1500uF 20% 10V
C207	1-128-114-51	s ELECT 1500uF 20% 10V
C208	1-128-114-51	s ELECT 1500uF 20% 10V
C210	1-164-646-11	s CERAMIC 2200pF 10% 500V
C211	1-164-646-11	s CERAMIC 2200pF 10% 500V
C212	1-128-221-51	s ELECT 2200uF 20% 6.3V
C213	1-128-586-11	s ELECT 470uF 20% 6.3V
C214	1-124-925-11	s ELECT 2.2uF 20% 100V
C215	1-164-646-11	s CERAMIC 2200pF 10% 500V
C216	1-164-646-11	s CERAMIC 2200pF 10% 500V
C217	1-128-102-11	s ELECT 1200uF 20% 16V
C218	1-128-222-11	s ELECT 330uF 20% 16V
or	1-128-572-11	s ELECT 330uF 20% 16V

## (SOPS-1042A BOARD of Switching regulator)

Ref. No. or Q'ty	Part No.	SP Description
C219	1-130-483-00	s MYLAR 0.01uF 5% 50V
C222	1-102-002-00	s CERAMIC 680pF 10% 500V
C223	1-102-002-00	s CERAMIC 680pF 10% 500V
C224	1-128-142-11	s ELECT 1500uF 20% 25V
C225	1-128-142-11	s ELECT 1500uF 20% 25V
C226	1-124-120-11	s ELECT 220uF 20% 25V
C227	1-124-120-11	s ELECT 220uF 20% 25V
C229	1-164-645-11	s CERAMIC 1000pF 10% 500V
C230	1-164-645-11	s CERAMIC 1000pF 10% 500V
C231	1-128-142-11	s ELECT 1500uF 20% 25V
C232	1-128-376-11	s ELECT 220uF 20% 25V
C234	1-164-645-11	s CERAMIC 1000pF 10% 500V
C235	1-164-645-11	s CERAMIC 1000pF 10% 500V
C236	1-128-142-11	s ELECT 1500uF 20% 25V
C237	1-128-376-11	s ELECT 220uF 20% 25V
C238	1-136-171-00	s FILM 0.33uF 5% 50V
C239	1-130-483-00	s MYLAR 0.01uF 5% 50V
C240	1-124-120-11	s ELECT 220uF 20% 25V
C241	1-136-165-00	s FILM 0.1uF 5% 50V
C242	1-136-165-00	s FILM 0.1uF 5% 50V
C243	1-136-165-00	s FILM 0.1uF 5% 50V
CN151	1-573-896-11	o CONNECTOR, 12P, FEMALE
CN152	1-564-242-00	o CONNECTOR, VH 5P, MALE
CN201	1-566-314-11	o CONNECTOR, 10P, MALE
CN202	1-564-675-11	o CONNECTOR, 8P, MALE
CN203	1-564-013-11	s CONNECTOR, 3P, MALE
CN204	1-564-214-11	o CONNECTOR, VH 3P, MALE
CN205	1-560-364-00	o CONNECTOR, ILG 2P, MALE
CN206	1-564-215-11	o CONNECTOR, VH 4P, MALE
D151	8-719-911-19 or 8-719-912-20	s DIODE 1SS119 s DIODE 1SS120
D152	8-719-510-26	s DIODE D1NL20
D153	8-719-510-26	s DIODE D1NL20
D154	8-719-200-02	s DIODE 10E2
D155	8-719-911-19 or 8-719-912-20	s DIODE 1SS119 s DIODE 1SS120
D156	8-719-300-33	s DIODE RU-3AM
D157	8-719-911-19 or 8-719-912-20	s DIODE 1SS119 s DIODE 1SS120
D158	8-719-911-19 or 8-719-912-20	s DIODE 1SS119 s DIODE 1SS120
D159	8-719-300-33	s DIODE RU-3AM
D201	8-719-033-50 or 8-719-311-33	s DIODE D20SC9M s DIODE FMB-36M
D202	8-719-053-50 or 8-719-210-60	s DIODE FCQ20A06 s DIODE F25P04QS
D203	8-719-210-29 or 8-719-510-09	s DIODE F10P10Q s DIODE D10SC6M
D204	8-719-510-09	s DIODE D10SC6M
D205	8-719-510-26	s DIODE D1NL20
D206	8-719-040-01	s DIODE FMB-22H
D207	8-719-110-16 or 8-719-110-17	s DIODE RD10ES-B1 s DIODE RD10ES-B2

## (SOPS-1042A BOARD of Switching regulator)

Ref. No. or Q'ty	Part No.	SP Description
D208	8-719-109-89 or 8-719-109-90	s DIODE RD5.6ES-B2 s DIODE RD5.6ES-B3
D209	8-719-911-19 or 8-719-912-20	s DIODE 1SS119 s DIODE 1SS120
D210	8-719-510-39	s DIODE D10LC20U
D211	8-719-510-39	s DIODE D10LC20U
D212	8-719-025-11	s DIODE D8LC20UR
D213	8-719-911-19 or 8-719-912-20	s DIODE 1SS119 s DIODE 1SS120
D214	8-719-110-56	s DIODE RD22ES-B1
D215	8-719-911-19 or 8-719-912-20	s DIODE 1SS119 s DIODE 1SS120
D216	8-719-110-48 or 8-719-110-49	s DIODE RD18ES-B1 s DIODE RD18ES-B2
D217	8-719-109-74 or 8-719-109-75	s DIODE RD4.3ES-B1 s DIODE RD4.3ES-B2
D218	8-719-911-19 or 8-719-912-20	s DIODE 1SS119 s DIODE 1SS120
D220	8-719-911-19 or 8-719-912-20	s DIODE 1SS119 s DIODE 1SS120
D221	8-719-911-19 or 8-719-912-20	s DIODE 1SS119 s DIODE 1SS120
D222	8-719-911-19 or 8-719-912-20	s DIODE 1SS119 s DIODE 1SS120
F151	△ 1-572-889-11	s SWITCH, THERMAL GUARD
F201	△ 1-572-889-11	s SWITCH, THERMAL GUARD
IC151	△ 8-719-159-90 or △ 8-719-820-67	s PHOTO-COUPLER PS2652-P s PHOTO-COUPLER TLP634GB-LF2
IC152	△ 8-719-159-90	s PHOTO-COUPLER PS2652-P
IC153	△ 8-719-159-90	s PHOTO-COUPLER PS2652-P
IC201	8-759-908-15	s IC TL431CLP
L151	1-414-013-11	s COIL, CHOKE 2.0mH
L201	1-406-753-11	s COIL, CHOKE
L202	1-406-750-11	s COIL, CHOKE 26uH
L203	1-406-703-11	s COIL, CHOKE 3.3uH
L204	1-406-751-11	s COIL, CHOKE 7.0uH
L205	1-406-751-11	s COIL, CHOKE 7.0uH
L206	1-424-255-41	s COIL, CHOKE (MOLDE) 10uH
L207	1-414-010-11	s COIL, CHOKE 250uH
L209	1-406-703-11	s COIL, CHOKE 3.3uH
L210	1-406-752-11	s COIL, CHOKE
L211	1-424-255-41	s COIL, CHOKE (MOLDE) 10uH
L212	1-424-255-41	s COIL, CHOKE (MOLDE) 10uH
L213	1-406-703-11	s COIL, CHOKE 3.3uH
Q151	8-729-018-39	s TRANSISTOR 2SK1341
Q152	8-729-018-39	s TRANSISTOR 2SK1341
Q201	8-729-900-80	s TRANSISTOR DTC114ES
Q202	8-729-022-20	s TRANSISTOR 2SJ295
R151	1-215-928-11	s METAL 68K 5% 3W

## (SOPS-1042A BOARD of Switching regulator)

Ref. No. or Q'ty	Part No.	SP Description
R152	1-215-903-11	s METAL 68K 5% 2W
R153	1-215-903-11	s METAL 68K 5% 2W
R154	1-249-394-11	s CARBON 12 5% 1/4W
R155	1-249-406-11	s CARBON 120 5% 1/4W
R156	1-249-401-11	s CARBON 47 5% 1/4W
R157	1-249-421-11	s CARBON 2.2K 5% 1/4W
R158	1-249-390-11	s CARBON 5.6 5% 1/4W
R159	1-215-903-11	s METAL 68K 5% 2W
R160	1-215-903-11	s METAL 68K 5% 2W
R161	1-215-903-11	s METAL 68K 5% 2W
R162	1-249-441-11	s CARBON 100K 5% 1/4W
R163	1-249-394-11	s CARBON 12 5% 1/4W
R164	1-249-401-11	s CARBON 47 5% 1/4W
R165	1-249-390-11	s CARBON 5.6 5% 1/4W
R166	1-249-441-11	s CARBON 100K 5% 1/4W
R167	△ 1-249-381-11	s CARBON 1.0 5% 1/4W
R168	1-215-928-11	s METAL 68K 5% 3W
R169	1-215-903-11	s METAL 68K 5% 2W
R201	1-215-882-00	s METAL 22 5% 2W
R202	1-208-289-11	s METAL WIRE 0.0065 5% 1W
R203	1-249-434-11	s CARBON 27K 5% 1/4W
R204	1-249-417-11	s CARBON 1.0K 5% 1/4W
R205	1-215-865-11	s METAL 220 5% 1W
R206	△ 1-249-389-11	s CARBON 4.7 5% 1/4W
R207	1-215-882-00	s METAL 22 5% 2W
R212	1-215-882-00	s METAL 22 5% 2W
R213	1-249-435-11	s CARBON 33K 5% 1/4W
R214	1-249-411-11	s CARBON 330 5% 1/4W
R216	1-249-417-11	s CARBON 1.0K 5% 1/4W
R217	1-215-882-00	s METAL 22 5% 2W
R218	1-215-882-00	s METAL 22 5% 2W
R219	1-215-882-00	s METAL 22 5% 2W
R220	1-215-890-11	s METAL 470 5% 2W
R221	1-249-435-11	s CARBON 33K 5% 1/4W
R222	1-249-417-11	s CARBON 1.0K 5% 1/4W
R223	1-249-413-11	s CARBON 470 5% 1/4W
R224	1-215-449-00	s METAL 15K 1% 1/6W
R225	1-215-430-00	s METAL 2.4K 1% 1/6W
R226	1-249-417-11	s CARBON 1.0K 5% 1/4W
R228	1-215-890-11	s METAL 470 5% 2W
R229	△ 1-249-381-11	s CARBON 1.0 5% 1/4W
R232	1-205-623-00	s WIREWOUND 47 5% 5W
or	1-243-020-11	s WIREWOUND 47 5% 5W
RV201	1-228-990-00	s RES, ADJ, METAL 1K
T151	△ 1-423-716-11	s TRANSFORMER, CONVERTER
T152	1-424-573-11	s TRANSFORMER, CURRENT
T153	1-424-573-11	s TRANSFORMER, CURRENT
T154	△ 1-423-717-11	s TRANSFORMER, CONVERTER

-----  
SOPS-1042B BOARD of Switching regulator SOPS-1042  
-----

Ref. No. or Q'ty	Part No.	SP Description
1pc	A-4956-083-A	o MOUNTED CIRCUIT BOARD, SOPS-1042B
1pc	2-625-679-01	o HEAT SINK (HS-1019C) (for IC101)
1pc	2-625-748-01	s RUBBER, RADIATION (for IC101)
1pc	3-899-248-31	s SCREW, M3x12 (for IC101)
1pc	△ 2-430-239-01	o COVER, CAPACITOR
C101	△ 1-162-573-11	s CERAMIC 100pF 10% 400V
C102	△ 1-136-527-12	s FILM 0.47uF 20% 250V
C103	△ 1-136-185-00	s FILM 0.22uF 20% 250V
C104	△ 1-161-742-00	s CERAMIC 2200pF 20% 400V
C105	△ 1-161-742-00	s CERAMIC 2200pF 20% 400V
C106	△ 1-161-742-00	s CERAMIC 2200pF 20% 400V
C107	1-136-206-11	s FILM 0.033uF 10% 630V
C108	1-126-406-11	s ELECT 2.2uF 20% 400V
C109	1-124-668-11	s ELECT 2.2uF 20% 200V
C110	1-161-742-00	s CERAMIC 2200pF 20% 400V
C111	1-104-958-11	s ELECT 560uF 250V
C112	1-104-958-11	s ELECT 560uF 250V
C113	1-104-958-11	s ELECT 560uF 250V
C114	1-104-958-11	s ELECT 560uF 250V
CN101	△ 1-564-215-11	o CONNECTOR, VH 4P, MALE
CN102	1-564-242-00	o CONNECTOR, VH 5P, MALE
D101	8-719-510-71	s DIODE D10XB60
D102	8-719-313-16	s DIODE AU02A
D103	8-719-313-16	s DIODE AU02A
D104	8-719-313-16	s DIODE AU02A
D105	8-719-200-02	s DIODE 10E2
D107	8-719-911-19	s DIODE 1SS119
or	8-719-912-20	s DIODE 1SS120
D108	8-719-911-19	s DIODE 1SS119
or	8-719-912-20	s DIODE 1SS120
IC101	8-749-923-66	s IC STR83145
L101	△ 1-424-058-11	s TRANSFORMER, LINE FILTER
L102	△ 1-424-583-11	s TRANSFORMER, LINE FILTER
Q101	8-729-205-02	s TRANSISTOR 2SA1150-Y
R101	1-202-849-00	s SOLID 820K 10% 1/2W
R102	△ 1-217-785-11	s RES, FUSIBLE 15 5% 5W
R105	1-247-883-00	s CARBON 150K 5% 1/4W
R106	1-247-883-00	s CARBON 150K 5% 1/4W
R107	1-247-883-00	s CARBON 150K 5% 1/4W
R108	1-247-883-00	s CARBON 150K 5% 1/4W
R109	1-260-131-11	s CARBON 470K 5% 1/2W
R110	1-260-131-11	s CARBON 470K 5% 1/2W
R111	△ 1-249-381-11	s CARBON 1.0 5% 1/4W
R112	△ 1-205-913-11	s WIREWOUND 3.3 5% 5W
RY101	△ 1-515-685-31	s RELAY
VDR101	△ 1-809-581-11	s VARISTOR
VDR102	1-576-046-11	s ARRESTER, GUS TUBE

-----  
 SOPS-1042D BOARD of Switching regulator SOPS-1042(A)  
 -----

Ref. No. or Q'ty	Part No.	SP Description
1pc	9-936-259-01	o MOUNTED CIRCUIT BOARD, SOPS-1042D
1pc	X-4560-002-1	o HEAT SINK (1042D) ASSY (for Q101)
1pc	9-936-260-01	o HEAT SINK (for IC102)
1pc	2-625-748-01	s RUBBER, RADIATION (for Q101)
2pcs	3-899-248-31	s SCREW, M3x12 (for Q101 or TS101)
C101	△ 1-162-573-11	s CERAMIC 100pF 10% 400V
C102	△ 1-136-527-12	s FILM 0.47uF 20% 250V
C103	△ 1-161-742-00	s CERAMIC 2200pF 20% 400V
C104	△ 1-161-742-00	s CERAMIC 2200pF 20% 400V
C105	△ 1-137-524-00	s FILM 0.22uF 20% 250V
C106	△ 1-161-742-00	s CERAMIC 2200pF 20% 400V
C107	△ 1-161-742-00	s CERAMIC 2200pF 20% 400V
C108	1-107-786-11	s FILM 1.0uF 10% 450V
C109	1-107-786-11	s FILM 1.0uF 10% 450V
C110	1-107-786-11	s FILM 1.0uF 10% 450V
C112	1-111-260-11	s FILM 0.47uF 10% 630V
C113	1-110-970-11	s ELECT 150uF 20% 450V
C114	1-107-787-11	s FILM 0.22uF 10% 630V
C115	1-136-155-00	s FILM 0.015uF 5% 50V
C116	1-124-902-00	s ELECT 4.7uF 20% 50V
C117	1-130-483-00	s MYLAR 0.01uF 5% 50V
C119	1-136-171-00	s FILM 0.33uF 5% 50V
C120	1-136-153-00	s FILM 0.01uF 5% 50V
C121	1-136-206-11	s FILM 0.033uF 10% 630V
CN101	△ 1-564-215-11	o CONNECTOR, VH 4P, MALE
CN102	1-564-242-00	o CONNECTOR, VH 5P, MALE
D101	8-719-510-71	s DIODE D10XB60
D102	8-719-029-04	s DIODE D5L60
D103	8-710-110-49	s DIODE RD18ES-B2
D104	8-719-313-16	s DIODE AU02A
D105	8-710-210-21	s DIODE 11EQS04
D106	8-710-110-78	s DIODE RD33ES-B2
D107	8-719-313-16	s DIODE AU02A
D108	8-719-911-19	s DIODE 1SS119
or	8-719-912-20	s DIODE 1SS120
D109	8-719-911-19	s DIODE 1SS119
D110	8-719-200-02	s DIODE 10E2
or	8-719-912-20	s DIODE 1SS120
D111	8-719-313-16	s DIODE AU02A
D112	8-719-050-84	s DIODE RB441Q-40T-77
D113	8-719-050-84	s DIODE RB441Q-40T-77
IC101	8-759-332-30	s IC MC34262P
IC102	8-759-112-09	s IC UPC78N12H
IC103	8-759-332-29	s IC M51945BL
L101	△ 1-424-058-11	s TRANSFORMER, LINE FILTER
L102	△ 1-424-583-11	s TRANSFORMER, LINE FILTER
L103	1-424-582-11	s COIL, CHOKE
L104	1-424-582-11	s COIL, CHOKE
L105	1-411-270-11	s COIL, CHOKE 205uH
Q101	8-729-017-89	s TRANSISTOR 2SK1518
Q102	8-729-140-96	s TRANSISTOR 2SD774-34
Q103	8-729-205-02	s TRANSISTOR 2SA1150-Y
R101	1-202-849-00	s SOLID 820K 10% 1/2W
R102	△ 1-217-785-11	s RES, FUSIBLE 15 5% 5W
R103	△ 1-205-913-11	s WIREWOUND 3.3 5% 5W
R104	1-247-901-11	s CARBON 820K 5% 1/4W

(SOPS-1042D BOARD of Switching regulator SOPS-1042(A))

Ref. No. or Q'ty	Part No.	SP Description
R105	1-247-901-11	s CARBON 820K 5% 1/4W
R106	1-216-361-00	s METAL 0.22 5% 2W
R107	1-216-361-00	s METAL 0.22 5% 2W
R108	1-216-361-00	s METAL 0.22 5% 2W
R109	1-249-429-11	s CARBON 10K 5% 1/4W
R110	△ 1-249-377-11	s CARBON 0.47 5% 1/4W
R111	1-247-901-11	s CARBON 820K 5% 1/4W
R112	1-247-901-11	s CARBON 820K 5% 1/4W
R113	1-215-902-11	s METAL 47K 5% 2W
R114	1-215-902-11	s METAL 47K 5% 2W
R115	1-215-491-00	s METAL 820K 1% 1/4W
R116	1-215-491-00	s METAL 820K 1% 1/4W
R117	1-249-433-11	s CARBON 22K 5% 1/4W
R118	1-249-401-11	s CARBON 47 5% 1/4W
R119	1-249-427-11	s CARBON 6.8K 5% 1/4W
R120	1-249-433-11	s CARBON 22K 5% 1/4W
R121	1-249-423-11	s CARBON 3.3K 5% 1/4W
R122	1-249-433-11	s CARBON 22K 5% 1/4W
R123	1-249-423-11	s CARBON 3.3K 5% 1/4W
R124	1-215-437-00	s METAL 4.7K 1% 1/6W
R125	△ 1-249-381-11	s CARBON 1.0 5% 1/4W
R126	1-247-883-00	s CARBON 150K 5% 1/4W
R127	1-247-883-00	s CARBON 150K 5% 1/4W
R128	1-247-883-00	s CARBON 150K 5% 1/4W
R129	1-247-883-00	s CARBON 150K 5% 1/4W
R130	-----	- WIRE, JUMPER
RV101	1-238-600-11	s RES, ADJ, CARBON 10K
RY101	△ 1-515-685-31	s RELAY
TS101	△ 1-527-889-11	s SWITCH, THERMAL GUARD
VDR101	△ 1-809-581-11	s VARISTOR

-----  
 SOPS-1042S BOARD of Switching regulator  
 -----

Ref. No. or Q'ty	Part No.	SP	Description
1pc	9-936-258-01	o	MOUNTED CIRCUIT BOARD, SOPS-1042S
C251	1-124-242-00	s	ELECT 33uF 20% 25V
C252	1-113-340-11	s	ELECT 47uF 20% 25V
C253	1-136-161-00	s	FILM 0.047uF 5% 50V
C254	1-136-153-00	s	FILM 0.01uF 5% 50V
C255	1-130-480-00	s	MYLAR 0.0056uF 5% 50V
C256	1-136-153-00	s	FILM 0.01uF 5% 50V
C257	1-136-153-00	s	FILM 0.01uF 5% 50V
C258	1-124-584-00	s	ELECT 100uF 20% 10V
CN251	1-560-741-00	o	CONNECTOR, 12P, MALE
D251	8-719-911-19	s	DIODE 1SS119
or	8-719-912-20	s	DIODE 1SS120
D252	8-719-109-82	s	DIODE RD4.7ES-B3
D253	8-719-911-19	s	DIODE 1SS119
or	8-719-912-20	s	DIODE 1SS120
IC251	8-759-605-43	s	IC M5231TL
IC252	8-759-135-80	s	IC UPC358C
IC253	8-759-937-59	s	IC MB3759
Q251	8-729-102-14	s	TRANSISTOR 2SD1020
Q252	8-729-205-02	s	TRANSISTOR 2SA1150-Y
R251	1-249-432-11	s	CARBON 18K 5% 1/4W
R252	1-249-423-11	s	CARBON 3.3K 5% 1/4W
R253	1-249-431-11	s	CARBON 15K 5% 1/4W
R254	1-249-413-11	s	CARBON 470 5% 1/4W
R255	1-249-425-11	s	CARBON 4.7K 5% 1/4W
R256	1-249-425-11	s	CARBON 4.7K 5% 1/4W
R257	1-249-425-11	s	CARBON 4.7K 5% 1/4W
R258	1-249-413-11	s	CARBON 470 5% 1/4W
R259	1-249-433-11	s	CARBON 22K 5% 1/4W
R260	1-215-437-00	s	METAL 4.7K 1% 1/6W
R261	1-215-434-00	s	METAL 3.6K 1% 1/6W
R262	1-249-425-11	s	CARBON 4.7K 5% 1/4W
R263	1-249-439-11	s	CARBON 68K 5% 1/4W
R264	1-249-413-11	s	CARBON 470 5% 1/4W
R265	1-249-441-11	s	CARBON 100K 5% 1/4W
R266	1-249-441-11	s	CARBON 100K 5% 1/4W
R267	1-249-426-11	s	CARBON 5.6K 5% 1/4W
R268	1-249-425-11	s	CARBON 4.7K 5% 1/4W
R269	1-249-418-11	s	CARBON 1.2K 5% 1/4W
R270	1-249-425-11	s	CARBON 4.7K 5% 1/4W
R271	1-215-421-00	s	METAL 1.0K 1% 1/6W
R272	1-215-429-00	s	METAL 2.2K 1% 1/6W
R273	1-249-423-11	s	CARBON 3.3K 5% 1/4W
R274	1-249-430-11	s	CARBON 12K 5% 1/4W
R275	△ 1-249-389-11	s	CARBON 4.7 5% 1/4W
R276	1-247-807-31	s	CARBON 100 5% 1/4W
RV251	1-237-500-21	s	RES, ADJ, CERMET 1K
RV252	1-237-500-21	s	RES, ADJ, CERMET 1K

-----  
 TBC-23 BOARD for DVW-A500P/A510P/CA510P, suffix 16 or higher  
 -----

\*a: Lot No. 803-0A5

Ref. No. or Q'ty	Part No.	SP	Description
1pc	A-8275-079-B	o	MOUNTED CIRCUIT BOARD, TBC-23P (For Europa model)
1pc	A-8275-271-B	o	MOUNTED CIRCUIT BOARD, TBC-23PG (For USA and Canada models)
1pc	3-696-787-03	o	SHEET(S),CARD
1pc	3-696-891-03	o	PLATE, CARD-S
4pcs	7-682-902-11	s	SCREW +PWH 2.6X5(EP-FE/ZN/CM2)
1pc	3-179-084-01	s	LEVER(R),PRINTED C,BOARD
1pc	3-179-085-01	s	LEVER(L),PRINTED C.BOARD
C11	1-126-933-11	s	CAPACITOR,ELECT 100MF/16V
C12	1-126-933-11	s	CAPACITOR,ELECT 100MF/16V
C13	1-163-037-11	s	CAPACITOR,CHIP CERAMIC 0.022MF
C16	1-126-933-11	s	CAPACITOR,ELECT 100MF/16V
C17	1-126-933-11	s	CAPACITOR,ELECT 100MF/16V
C18	1-126-933-11	s	CAPACITOR,ELECT 100MF/16V
C19	1-163-037-11	s	CAPACITOR,CHIP CERAMIC 0.022MF
C20	1-126-933-11	s	CAPACITOR,ELECT 100MF/16V
C21	1-126-933-11	s	CAPACITOR,ELECT 100MF/16V
C22	1-163-037-11	s	CAPACITOR,CHIP CERAMIC 0.022MF
C23	1-126-933-11	s	CAPACITOR,ELECT 100MF/16V
C24	1-163-037-11	s	CAPACITOR,CHIP CERAMIC 0.022MF
C25	1-126-933-11	s	CAPACITOR,ELECT 100MF/16V
C26	1-163-037-11	s	CAPACITOR,CHIP CERAMIC 0.022MF
C27	1-126-933-11	s	CAPACITOR,ELECT 100MF/16V
C28	1-163-037-11	s	CAPACITOR,CHIP CERAMIC 0.022MF
C101	1-163-037-11	s	CAPACITOR,CHIP CERAMIC 0.022MF
C105	1-163-113-00	s	CAPACITOR,CHIP CERAMIC 68PF/50
C106	1-163-113-00	s	CAPACITOR,CHIP CERAMIC 68PF/50
C107	1-163-113-00	s	CAPACITOR,CHIP CERAMIC 68PF/50
C108	1-163-113-00	s	CAPACITOR,CHIP CERAMIC 68PF/50
C109	1-163-113-00	s	CAPACITOR,CHIP CERAMIC 68PF/50
C110	1-163-113-00	s	CAPACITOR,CHIP CERAMIC 68PF/50
C111	1-163-113-00	s	CAPACITOR,CHIP CERAMIC 68PF/50
C112	1-163-113-00	s	CAPACITOR,CHIP CERAMIC 68PF/50
C113	1-163-113-00	s	CAPACITOR,CHIP CERAMIC 68PF/50
C114	1-163-113-00	s	CAPACITOR,CHIP CERAMIC 68PF/50
C115	1-163-113-00	s	CAPACITOR,CHIP CERAMIC 68PF/50
C116	1-163-113-00	s	CAPACITOR,CHIP CERAMIC 68PF/50
C117	1-163-113-00	s	CAPACITOR,CHIP CERAMIC 68PF/50
C118	1-163-113-00	s	CAPACITOR,CHIP CERAMIC 68PF/50
C119	1-163-113-00	s	CAPACITOR,CHIP CERAMIC 68PF/50
C120	1-163-037-11	s	CAPACITOR,CHIP CERAMIC 0.022MF
C122	1-163-037-11	s	CAPACITOR,CHIP CERAMIC 0.022MF
C123	1-163-037-11	s	CAPACITOR,CHIP CERAMIC 0.022MF
C124	1-163-037-11	s	CAPACITOR,CHIP CERAMIC 0.022MF
C125	1-163-037-11	s	CAPACITOR,CHIP CERAMIC 0.022MF
C126	1-163-037-11	s	CAPACITOR,CHIP CERAMIC 0.022MF
C127	1-163-037-11	s	CAPACITOR,CHIP CERAMIC 0.022MF
C128	1-163-037-11	s	CAPACITOR,CHIP CERAMIC 0.022MF
C129	1-163-037-11	s	CAPACITOR,CHIP CERAMIC 0.022MF
C130	1-163-037-11	s	CAPACITOR,CHIP CERAMIC 0.022MF
C131	1-163-037-11	s	CAPACITOR,CHIP CERAMIC 0.022MF
C132	1-126-933-11	s	CAPACITOR,ELECT 100MF/16V
C133	1-163-037-11	s	CAPACITOR,CHIP CERAMIC 0.022MF
C134	1-163-037-11	s	CAPACITOR,CHIP CERAMIC 0.022MF
C135	1-126-933-11	s	CAPACITOR,ELECT 100MF/16V
C136	1-163-037-11	s	CAPACITOR,CHIP CERAMIC 0.022MF
C137	1-163-037-11	s	CAPACITOR,CHIP CERAMIC 0.022MF
C138	1-163-037-11	s	CAPACITOR,CHIP CERAMIC 0.022MF

(TBC-23 BOARD for DVW-A500P/A510P/CA510P, suffix 16 or higher) (TBC-23 BOARD for DVW-A500P/A510P/CA510P, suffix 16 or higher)

Ref. No. or Q'ty	Part No.	SP Description	Ref. No. or Q'ty	Part No.	SP Description
C139	1-163-037-11	s CAPACITOR,CHIP CERAMIC 0.022MF	C254	1-163-037-11	s CAPACITOR,CHIP CERAMIC 0.022MF
C140	1-163-037-11	s CAPACITOR,CHIP CERAMIC 0.022MF	C255	1-163-037-11	s CAPACITOR,CHIP CERAMIC 0.022MF
C141	1-163-037-11	s CAPACITOR,CHIP CERAMIC 0.022MF	C256	1-163-037-11	s CAPACITOR,CHIP CERAMIC 0.022MF
C142	1-163-037-11	s CAPACITOR,CHIP CERAMIC 0.022MF	C257	1-163-037-11	s CAPACITOR,CHIP CERAMIC 0.022MF
C143	1-135-156-21	s CAPACITOR,CHIP TANTALUM 6.8MF	C258	1-163-037-11	s CAPACITOR,CHIP CERAMIC 0.022MF
C144	1-163-037-11	s CAPACITOR,CHIP CERAMIC 0.022MF	C259	1-163-239-11	s CAPACITOR,CHIP CERAMIC33PF/50V
C200	1-163-037-11	s CAPACITOR,CHIP CERAMIC 0.022MF	C260	1-163-037-11	s CAPACITOR,CHIP CERAMIC 0.022MF
C201	1-126-933-11	s CAPACITOR,ELECT 100MF/16V	C261	1-163-037-11	s CAPACITOR,CHIP CERAMIC 0.022MF
C202	1-163-037-11	s CAPACITOR,CHIP CERAMIC 0.022MF	C262	1-163-037-11	s CAPACITOR,CHIP CERAMIC 0.022MF
C204	1-163-037-11	s CAPACITOR,CHIP CERAMIC 0.022MF	C263	1-163-038-91	s CAPACITOR, CERAMIC 0.1MF/25V
C205	1-163-037-11	s CAPACITOR,CHIP CERAMIC 0.022MF	C264	1-163-237-11	s CAPACITOR CERAMIC 27PF/50V
C206	1-163-037-11	s CAPACITOR,CHIP CERAMIC 0.022MF	C265	1-163-239-11	s CAPACITOR,CHIP CERAMIC33PF/50V
C207	1-126-964-11	s CAPACITOR, ELECT 10MF/50V	C266	1-163-251-11	s CAPACITOR CERAMIC 100PF/50V
C208	1-163-037-11	s CAPACITOR,CHIP CERAMIC 0.022MF	C267	1-163-239-11	s CAPACITOR,CHIP CERAMIC33PF/50V
C209	1-126-933-11	s CAPACITOR,ELECT 100MF/16V	C268	1-126-933-11	s CAPACITOR,ELECT 100MF/16V
C210	1-163-037-11	s CAPACITOR,CHIP CERAMIC 0.022MF	C269	1-126-933-11	s CAPACITOR,ELECT 100MF/16V
C211	1-163-037-11	s CAPACITOR,CHIP CERAMIC 0.022MF	C270	1-163-037-11	s CAPACITOR,CHIP CERAMIC 0.022MF
C212	1-163-037-11	s CAPACITOR,CHIP CERAMIC 0.022MF	C271	1-163-235-11	s CAPACITOR,CHIP CERAMIC22PF/50V
C213	1-163-037-11	s CAPACITOR,CHIP CERAMIC 0.022MF	C272	1-163-021-91	s CAPACITOR, CERAMIC 0.01MF/50V
C214	1-163-037-11	s CAPACITOR,CHIP CERAMIC 0.022MF	C273	1-163-235-11	s CAPACITOR,CHIP CERAMIC22PF/50V
C215	1-163-037-11	s CAPACITOR,CHIP CERAMIC 0.022MF	C274	1-163-037-11	s CAPACITOR,CHIP CERAMIC 0.022MF
C216	1-126-933-11	s CAPACITOR,ELECT 100MF/16V	C275	1-163-251-11	s CAPACITOR CERAMIC 100PF/50V
C217	1-163-037-11	s CAPACITOR,CHIP CERAMIC 0.022MF	C276	1-163-037-11	s CAPACITOR,CHIP CERAMIC 0.022MF
C218	1-163-037-11	s CAPACITOR,CHIP CERAMIC 0.022MF	C277	1-163-259-91	s CAPACITOR,CHIP CERAMIC 220PF
C219	1-163-037-11	s CAPACITOR,CHIP CERAMIC 0.022MF	C278	1-163-133-00	s CAPACITOR,CHIP CERAMIC 470PF
C220	1-126-933-11	s CAPACITOR,ELECT 100MF/16V	C279	1-163-021-91	s CAPACITOR, CERAMIC 0.01MF/50V
C221	1-126-933-11	s CAPACITOR,ELECT 100MF/16V	C280	1-163-251-11	s CAPACITOR CERAMIC 100PF/50V
C222	1-163-037-11	s CAPACITOR,CHIP CERAMIC 0.022MF	C282	1-163-037-11	s CAPACITOR,CHIP CERAMIC 0.022MF
C223	1-163-037-11	s CAPACITOR,CHIP CERAMIC 0.022MF	C284	1-163-037-11	s CAPACITOR,CHIP CERAMIC 0.022MF
C224	1-163-251-11	s CAPACITOR CERAMIC 100PF/50V	C285	1-163-037-11	s CAPACITOR,CHIP CERAMIC 0.022MF
C225	1-126-933-11	s CAPACITOR,ELECT 100MF/16V	C286	1-163-037-11	s CAPACITOR,CHIP CERAMIC 0.022MF
C226	1-163-037-11	s CAPACITOR,CHIP CERAMIC 0.022MF	C500	1-163-037-11	s CAPACITOR,CHIP CERAMIC 0.022MF
C227	1-163-037-11	s CAPACITOR,CHIP CERAMIC 0.022MF	C501	1-163-037-11	s CAPACITOR,CHIP CERAMIC 0.022MF
C228	1-126-933-11	s CAPACITOR,ELECT 100MF/16V	C503	1-163-037-11	s CAPACITOR,CHIP CERAMIC 0.022MF
C229	1-163-037-11	s CAPACITOR,CHIP CERAMIC 0.022MF	C504	1-163-037-11	s CAPACITOR,CHIP CERAMIC 0.022MF
C230	1-163-037-11	s CAPACITOR,CHIP CERAMIC 0.022MF	C505	1-163-037-11	s CAPACITOR,CHIP CERAMIC 0.022MF
C231	1-163-037-11	s CAPACITOR,CHIP CERAMIC 0.022MF	C506	1-163-037-11	s CAPACITOR,CHIP CERAMIC 0.022MF
C232	1-163-037-11	s CAPACITOR,CHIP CERAMIC 0.022MF	C507	1-163-037-11	s CAPACITOR,CHIP CERAMIC 0.022MF
C233	1-163-037-11	s CAPACITOR,CHIP CERAMIC 0.022MF	CN1	1-506-493-11	s PIN,CONNECTOR 14P
C234	1-163-037-11	s CAPACITOR,CHIP CERAMIC 0.022MF	CN101	1-750-795-21	s CONNECTOR, PRINT PC BOARD
C235	1-163-037-11	s CAPACITOR,CHIP CERAMIC 0.022MF	D101	8-719-024-81	s DIODE 1SS300-TE85L
C236	1-163-251-11	s CAPACITOR CERAMIC 100PF/50V	D106	8-719-404-35	s DIODE MA141WK
C237	1-163-037-11	s CAPACITOR,CHIP CERAMIC 0.022MF	D107	8-719-024-81	s DIODE 1SS300-TE85L
C238	1-104-914-11	s CAPACITOR CHIP TANTAL 22MF/16V	D108	8-719-024-81	s DIODE 1SS300-TE85L
C239	1-163-037-11	s CAPACITOR,CHIP CERAMIC 0.022MF	D109	8-719-024-81	s DIODE 1SS300-TE85L
C240	1-163-038-91	s CAPACITOR, CERAMIC 0.1MF/25V	D110	8-719-024-81	s DIODE 1SS300-TE85L
C241	1-104-914-11	s CAPACITOR CHIP TANTAL 22MF/16V	D200	8-719-026-16	s LED CL-150D-CD
C242	1-163-037-11	s CAPACITOR,CHIP CERAMIC 0.022MF	D201	8-719-024-81	s DIODE 1SS300-TE85L
C243	1-163-037-11	s CAPACITOR,CHIP CERAMIC 0.022MF	D202	8-719-941-23	s DIODE DA204U
C244	1-163-037-11	s CAPACITOR,CHIP CERAMIC 0.022MF	D203	8-719-941-86	s DIODE DAN202U
C245	1-126-933-11	s CAPACITOR,ELECT 100MF/16V	D204	8-719-941-09	s DIODE DAP202U
C246	1-135-180-21	s CAPACITOR TANTALUM 3.3MF/10V	D205	8-719-941-09	s DIODE DAP202U
C247	1-163-037-11	s CAPACITOR,CHIP CERAMIC 0.022MF	D206	8-719-024-81	s DIODE 1SS300-TE85L
C248	1-135-180-21	s CAPACITOR TANTALUM 3.3MF/10V	D207	8-719-024-81	s DIODE 1SS300-TE85L
C249	1-135-072-21	s CAPACITOR,TANTALUM 0.22MF/35V	E101	1-535-881-21	o TERMINAL, TP (AUTO INSERTION)
C250	1-163-038-91	s CAPACITOR, CERAMIC 0.1MF/25V	E103	*a 1-535-881-21	o TERMINAL, TP (AUTO INSERTION)
C251	1-163-037-11	s CAPACITOR,CHIP CERAMIC 0.022MF	E201	*a 1-535-881-21	o TERMINAL, TP (AUTO INSERTION)
C252	1-126-964-11	s CAPACITOR, ELECT 10MF/50V	E203	1-535-881-21	o TERMINAL, TP (AUTO INSERTION)
C253	1-163-037-11	s CAPACITOR,CHIP CERAMIC 0.022MF			



(TBC-23 BOARD for DVW-A500P/A510P/CA510P, suffix 16 or higher) (TBC-23 BOARD for DVW-A500P/A510P/CA510P, suffix 16 or higher)

Ref. No. or Q'ty	Part No.	SP Description	Ref. No. or Q'ty	Part No.	SP Description
E204	*a 1-535-881-21	o TERMINAL, TP (AUTO INSERTION)	IC237	8-759-485-79	s IC TC7SET08FU (TE85L)
FL201	1-239-719-31	s FILTER, CHIP EMI	IC500	8-752-341-32	s IC CXD2209Q
FL202	1-239-719-31	s FILTER, CHIP EMI	IC501	8-752-341-32	s IC CXD2209Q
FL203	1-239-719-31	s FILTER, CHIP EMI	IC502	8-759-673-51	s IC MM74HC32SJX
FL204	1-239-719-31	s FILTER, CHIP EMI	IC503	8-759-007-80	s IC MM74HC175SJX
FL205	1-239-719-31	s FILTER, CHIP EMI	IC504	8-759-236-43	s IC TC74HC163AF(EL)
FL206	1-239-719-31	s FILTER, CHIP EMI	IC505	8-759-673-48	s IC MM74HC14SJX
FL207	1-239-719-31	s FILTER, CHIP EMI	IC506	8-759-673-54	s IC MM74HC74ASJX
FL208	1-239-719-31	s FILTER, CHIP EMI	L11	1-412-533-21	s MICRO INDUCTOR
FL209	1-239-719-31	s FILTER, CHIP EMI	L12	1-412-533-21	s MICRO INDUCTOR
FL210	1-239-719-31	s FILTER, CHIP EMI	L13	1-412-533-21	s MICRO INDUCTOR
FL211	1-239-719-31	s FILTER, CHIP EMI	L14	1-412-533-21	s MICRO INDUCTOR
FL212	1-239-719-31	s FILTER, CHIP EMI	L105	1-408-974-21	s MICRO INDUCTOR 22UH
FL213	1-239-719-31	s FILTER, CHIP EMI	L106	1-408-974-21	s MICRO INDUCTOR 22UH
FL214	1-239-719-31	s FILTER, CHIP EMI	L200	1-408-614-31	s MICRO INDUCTOR 82UH
IC13	8-759-239-14	s IC TA78L05S	L201	1-408-974-21	s MICRO INDUCTOR 22UH
IC14	8-759-700-65	s IC NJM79L05A	L202	1-408-974-21	s MICRO INDUCTOR 22UH
IC101	8-759-270-29	s IC SN74HC257ANS (E20)	L203	1-408-974-21	s MICRO INDUCTOR 22UH
IC104	8-759-194-81	s IC CXD8395AQ	L204	1-408-974-21	s MICRO INDUCTOR 22UH
IC105	8-759-194-81	s IC CXD8395AQ	L206	1-408-974-21	s MICRO INDUCTOR 22UH
IC107	8-752-340-52	s IC CXK48324Q (TL)	L207	1-408-974-21	s MICRO INDUCTOR 22UH
IC109	8-752-340-52	s IC CXK48324Q (TL)	L208	1-408-614-31	s MICRO INDUCTOR 82UH
IC110	8-752-341-30	s IC CXD2210Q	L210	1-410-803-31	s CHIP INDUCTOR 0.047UH
IC111	8-752-341-30	s IC CXD2210Q	L211	1-410-803-31	s CHIP INDUCTOR 0.047UH
IC112	8-752-341-32	s IC CXD2209Q	PS1	Δ 1-533-347-21	s CIRCUIT PROTECTOR 0.5A (CHIP) (For Europa model)
IC113	8-759-399-52	s IC CXD8935BQ	PS1	Δ 1-533-271-21	s FUSE, CHIP (For USA and Canada models)
IC114	8-759-673-51	s IC MM74HC32SJX	Q201	8-729-117-32	s TRANSISTOR 2SC4177
IC118	8-759-008-37	s IC MC74HC4050F	Q202	8-729-029-14	s TRANSISTOR DTC144EUA-T106
IC200	8-759-488-17	s IC BR93LC46F-E2	Q203	8-729-029-14	s TRANSISTOR DTC144EUA-T106
IC201	8-759-836-57	s IC TL082CDR	Q207	8-729-117-32	s TRANSISTOR 2SC4177
IC202	8-759-582-56	s IC UPD78014FGC-639-AB8	Q208	8-729-140-63	s TRANSISTOR 2SA1611-M5M6
IC203	8-759-381-47	s IC AD7524JR-RELL	Q210	8-729-029-14	s TRANSISTOR DTC144EUA-T106
IC204	8-759-100-96	s IC UPC4558G2	R109	1-216-049-91	s RESISTOR,CHIP 1K 1/10W(2125)
IC205	8-752-355-09	s IC CXD104-114Q	R110	1-216-049-91	s RESISTOR,CHIP 1K 1/10W(2125)
IC206	8-752-356-05	s IC CXD206-104Q	R111	1-216-017-91	s RESISTOR, CHIP 47 1/10W(2012)
IC207	8-759-475-22	s IC TC74LCX245F(EL)	R112	1-216-017-91	s RESISTOR, CHIP 47 1/10W(2012)
IC208	8-759-475-22	s IC TC74LCX245F(EL)	R113	1-216-017-91	s RESISTOR, CHIP 47 1/10W(2012)
IC209	8-759-673-45	s IC MM74HC08SJX	R114	1-216-017-91	s RESISTOR, CHIP 47 1/10W(2012)
IC210	8-759-673-36	s IC MM74HC00SJX	R115	1-216-057-00	s RESISTOR CHIP 2.2K 1/10W(2012)
IC211	8-759-673-54	s IC MM74HC74ASJX	R116	1-216-017-91	s RESISTOR, CHIP 47 1/10W(2012)
IC212	8-759-673-48	s IC MM74HC14SJX	R117	1-216-097-91	s RESISTOR,CHIP 100K 1/10W(2012)
IC213	8-759-058-62	s IC TC7S08FU-TE85R	R118	1-216-057-00	s RESISTOR CHIP 2.2K 1/10W(2012)
IC214	8-759-702-08	s IC NJM360M	R119	1-216-057-00	s RESISTOR CHIP 2.2K 1/10W(2012)
IC215	8-759-673-57	s IC MM74HC86SJX	R120	1-216-057-00	s RESISTOR CHIP 2.2K 1/10W(2012)
IC216	8-752-306-51	s IC CX23065A	R121	1-216-017-91	s RESISTOR, CHIP 47 1/10W(2012)
IC217	8-759-710-88	s IC NJM431U	R122	1-216-057-00	s RESISTOR CHIP 2.2K 1/10W(2012)
IC218	8-759-234-77	s IC TC4S66F	R123	1-216-057-00	s RESISTOR CHIP 2.2K 1/10W(2012)
IC219	8-759-836-57	s IC TL082CDR	R124	1-216-057-00	s RESISTOR CHIP 2.2K 1/10W(2012)
IC220	8-759-925-05	s IC LM2903PS	R125	1-216-049-91	s RESISTOR,CHIP 1K 1/10W(2125)
IC221	8-759-239-55	s IC TC74HC123AF	R126	1-216-057-00	s RESISTOR CHIP 2.2K 1/10W(2012)
IC222	6-703-695-01	s IC S-80727CNMC-B8MT2	R127	1-216-017-91	s RESISTOR, CHIP 47 1/10W(2012)
IC223	8-759-239-55	s IC TC74HC123AF	R129	1-216-073-00	s RESISTOR,CHIP 10K 1/10W(2012)
IC224	8-759-475-22	s IC TC74LCX245F(EL)	R130	1-216-057-00	s RESISTOR CHIP 2.2K 1/10W(2012)
IC225	8-759-491-37	s IC TC74VHCT245AF(EL)	R131	1-216-057-00	s RESISTOR CHIP 2.2K 1/10W(2012)
IC229	8-759-081-42	s IC TC74VHC00F	R134	1-216-065-91	s RESISTOR,CHIP 4.7K (2012)
IC230	8-759-907-81	s IC SN74LS221N(S)			
IC234	8-759-485-79	s IC TC7SET08FU (TE85L)			
IC236	8-759-485-79	s IC TC7SET08FU (TE85L)			

(TBC-23 BOARD for DVW-A500P/A510P/CA510P, suffix 16 or higher) (TBC-23 BOARD for DVW-A500P/A510P/CA510P, suffix 16 or higher)

Ref. No. or Q'ty	Part No.	SP Description	Ref. No. or Q'ty	Part No.	SP Description
R135	1-216-025-91	s RESISTOR,CHIP 100 1/10W(2125)	R241	1-216-089-91	s RESISTOR, CHIP 47K
R136	1-216-017-91	s RESISTOR, CHIP 47 1/10W(2012)	R242	1-216-073-00	s RESISTOR,CHIP 10K 1/10W(2012)
R137	1-216-295-91	s RESISTOR, CHIP 0 (1/10W)	R256	1-216-017-91	s RESISTOR, CHIP 47 1/10W(2012)
R139	1-216-017-91	s RESISTOR, CHIP 47 1/10W(2012)	R257	1-216-041-00	s RESISTOR, CHIP 470 1/10W(2012)
R140	1-216-097-91	s RESISTOR,CHIP 100K 1/10W(2012)	R258	1-216-651-11	s RESISTOR,CHIP 1K 1/10W(2012)
R141	1-216-089-91	s RESISTOR, CHIP 47K	R259	1-216-295-91	s RESISTOR, CHIP 0 (1/10W)
R142	1-216-017-91	s RESISTOR, CHIP 47 1/10W(2012)	R260	1-216-651-11	s RESISTOR,CHIP 1K 1/10W(2012)
R143	1-216-025-91	s RESISTOR,CHIP 100 1/10W(2125)	R262	1-216-049-91	s RESISTOR,CHIP 1K 1/10W(2125)
R144	1-216-097-91	s RESISTOR,CHIP 100K 1/10W(2012)	R263	1-216-073-00	s RESISTOR,CHIP 10K 1/10W(2012)
R145	1-216-057-00	s RESISTOR CHIP 2.2K 1/10W(2012)	R266	1-216-033-00	s RESISTOR,CHIP 220 1/10W(2012)
R146	1-216-049-91	s RESISTOR,CHIP 1K 1/10W(2125)	R267	1-216-033-00	s RESISTOR,CHIP 220 1/10W(2012)
R147	1-216-049-91	s RESISTOR,CHIP 1K 1/10W(2125)	R268	1-216-017-91	s RESISTOR, CHIP 47 1/10W(2012)
R148	1-216-049-91	s RESISTOR,CHIP 1K 1/10W(2125)	R270	1-216-037-00	s RESISTOR,CHIP 330 1/10W(2012)
R149	1-216-049-91	s RESISTOR,CHIP 1K 1/10W(2125)	R271	1-216-651-11	s RESISTOR,CHIP 1K 1/10W(2012)
R150	1-216-049-91	s RESISTOR,CHIP 1K 1/10W(2125)	R272	1-216-651-11	s RESISTOR,CHIP 1K 1/10W(2012)
R151	1-216-017-91	s RESISTOR, CHIP 47 1/10W(2012)	R273	1-216-667-11	s RESISTOR,CHIP 4.7K 1/10W(2012)
R153	1-216-017-91	s RESISTOR, CHIP 47 1/10W(2012)	R274	1-216-089-91	s RESISTOR, CHIP 47K
R154	1-216-025-91	s RESISTOR,CHIP 100 1/10W(2125)	R275	1-216-682-11	s RESISTOR,CHIP 20K 1/10W (2012)
R156	1-216-017-91	s RESISTOR, CHIP 47 1/10W(2012)	R276	1-216-667-11	s RESISTOR,CHIP 4.7K 1/10W(2012)
R157	1-216-017-91	s RESISTOR, CHIP 47 1/10W(2012)	R277	1-216-682-11	s RESISTOR,CHIP 20K 1/10W (2012)
R158	1-216-025-91	s RESISTOR,CHIP 100 1/10W(2125)	R278	1-216-659-11	s RESISTOR,CHIP 2.2K 1/10W(2012)
R161	1-216-295-91	s RESISTOR, CHIP 0 (1/10W)	R279	1-216-665-11	s RESISTOR,CHIP 3.9K 1/10W(2012)
R162	1-216-295-91	s RESISTOR, CHIP 0 (1/10W)	R280	1-216-659-11	s RESISTOR,CHIP 2.2K 1/10W(2012)
R171	1-216-295-91	s RESISTOR, CHIP 0 (1/10W)	R281	1-216-659-11	s RESISTOR,CHIP 2.2K 1/10W(2012)
R172	1-216-295-91	s RESISTOR, CHIP 0 (1/10W)	R282	1-216-105-91	s RESISTOR,CHIP 220K 1/10W(2125)
R200	1-216-017-91	s RESISTOR, CHIP 47 1/10W(2012)	R283	1-216-105-91	s RESISTOR,CHIP 220K 1/10W(2125)
R202	1-216-025-91	s RESISTOR,CHIP 100 1/10W(2125)	R284	1-216-073-00	s RESISTOR,CHIP 10K 1/10W(2012)
R203	1-216-089-91	s RESISTOR, CHIP 47K	R285	1-216-081-00	s RESISTOR,CHIP 22K 1/10W(2012)
R204	1-216-049-91	s RESISTOR,CHIP 1K 1/10W(2125)	R286	1-216-687-11	s RESISTOR CHIP 33K 1/10W (2012)
R205	1-216-049-91	s RESISTOR,CHIP 1K 1/10W(2125)	R287	1-216-651-11	s RESISTOR,CHIP 1K 1/10W(2012)
R206	1-216-049-91	s RESISTOR,CHIP 1K 1/10W(2125)	R288	1-216-017-91	s RESISTOR, CHIP 47 1/10W(2012)
R207	1-216-049-91	s RESISTOR,CHIP 1K 1/10W(2125)	R290	1-216-033-00	s RESISTOR,CHIP 220 1/10W(2012)
R208	1-216-049-91	s RESISTOR,CHIP 1K 1/10W(2125)	R291	1-216-033-00	s RESISTOR,CHIP 220 1/10W(2012)
R209	1-216-049-91	s RESISTOR,CHIP 1K 1/10W(2125)	R292	1-216-033-00	s RESISTOR,CHIP 220 1/10W(2012)
R210	1-216-049-91	s RESISTOR,CHIP 1K 1/10W(2125)	R293	1-216-033-00	s RESISTOR,CHIP 220 1/10W(2012)
R211	1-216-089-91	s RESISTOR, CHIP 47K	R294	1-216-033-00	s RESISTOR,CHIP 220 1/10W(2012)
R212	1-216-089-91	s RESISTOR, CHIP 47K	R295	1-216-679-11	s RESISTOR CHIP 15K 1/10W (2012)
R213	1-216-089-91	s RESISTOR, CHIP 47K	R296	1-216-033-00	s RESISTOR,CHIP 220 1/10W(2012)
R214	1-216-089-91	s RESISTOR, CHIP 47K	R297	1-216-073-00	s RESISTOR,CHIP 10K 1/10W(2012)
R215	1-216-089-91	s RESISTOR, CHIP 47K	R298	1-216-627-11	s RESISTOR,CHIP 100 1/10W (2012)
R218	1-216-049-91	s RESISTOR,CHIP 1K 1/10W(2125)	R299	1-216-651-11	s RESISTOR,CHIP 1K 1/10W(2012)
R221	1-216-057-00	s RESISTOR CHIP 2.2K 1/10W(2012)	R300	1-216-681-11	s RESISTOR CHIP 18K 1/10W (2012)
R222	1-216-097-91	s RESISTOR,CHIP 100K 1/10W(2012)	R301	1-216-681-11	s RESISTOR CHIP 18K 1/10W (2012)
R223	1-216-057-00	s RESISTOR CHIP 2.2K 1/10W(2012)	R302	1-216-073-00	s RESISTOR,CHIP 10K 1/10W(2012)
R225	1-216-295-91	s RESISTOR, CHIP 0 (1/10W)	R303	1-216-627-11	s RESISTOR,CHIP 100 1/10W (2012)
R226	1-216-045-00	s RESISTOR,CHIP 680 1/10W(2012)	R304	1-216-651-11	s RESISTOR,CHIP 1K 1/10W(2012)
R227	1-216-057-00	s RESISTOR CHIP 2.2K 1/10W(2012)	R305	1-216-033-00	s RESISTOR,CHIP 220 1/10W(2012)
R228	1-216-097-91	s RESISTOR,CHIP 100K 1/10W(2012)	R306	1-216-025-91	s RESISTOR,CHIP 100 1/10W(2125)
R229	1-216-097-91	s RESISTOR,CHIP 100K 1/10W(2012)	R307	1-216-033-00	s RESISTOR,CHIP 220 1/10W(2012)
R230	1-216-057-00	s RESISTOR CHIP 2.2K 1/10W(2012)	R308	1-216-033-00	s RESISTOR,CHIP 220 1/10W(2012)
R231	1-216-049-91	s RESISTOR,CHIP 1K 1/10W(2125)	R309	1-216-017-91	s RESISTOR, CHIP 47 1/10W(2012)
R232	1-216-097-91	s RESISTOR,CHIP 100K 1/10W(2012)	R310	1-216-025-91	s RESISTOR,CHIP 100 1/10W(2125)
R234	1-216-073-00	s RESISTOR,CHIP 10K 1/10W(2012)	R312	1-216-033-00	s RESISTOR,CHIP 220 1/10W(2012)
R235	1-216-057-00	s RESISTOR CHIP 2.2K 1/10W(2012)	R313	1-216-033-00	s RESISTOR,CHIP 220 1/10W(2012)
R236	1-216-089-91	s RESISTOR, CHIP 47K	R314	1-216-033-00	s RESISTOR,CHIP 220 1/10W(2012)
R237	1-216-089-91	s RESISTOR, CHIP 47K	R315	1-216-033-00	s RESISTOR,CHIP 220 1/10W(2012)
R238	1-216-675-11	s RESISTOR CHIP 10K 1/10W(2012)	R317	1-216-033-00	s RESISTOR,CHIP 220 1/10W(2012)
R239	1-216-675-11	s RESISTOR CHIP 10K 1/10W(2012)	R318	1-216-033-00	s RESISTOR,CHIP 220 1/10W(2012)
R240	1-216-097-91	s RESISTOR,CHIP 100K 1/10W(2012)	R319	1-216-033-00	s RESISTOR,CHIP 220 1/10W(2012)

(TBC-23 BOARD for DVW-A500P/A510P/CA510P, suffix 16 or higher) (TBC-23 BOARD for DVW-A500P/A510P/CA510P, suffix 16 or higher)

Ref. No. or Q'ty	Part No.	SP	Description	Ref. No. or Q'ty	Part No.	SP	Description
R333	1-216-033-00	s	RESISTOR,CHIP 220 1/10W(2012)	RV201	1-241-786-11	s	RESISTOR, ADJ CERMET 22K
R334	1-216-033-00	s	RESISTOR,CHIP 220 1/10W(2012)	RV202	1-241-786-11	s	RESISTOR, ADJ CERMET 22K
R335	1-216-033-00	s	RESISTOR,CHIP 220 1/10W(2012)				
R336	1-216-033-00	s	RESISTOR,CHIP 220 1/10W(2012)	S1	1-692-536-11	s	SWITCH DIP (8P)
R337	1-216-033-00	s	RESISTOR,CHIP 220 1/10W(2012)	S500	1-692-535-11	s	SWITCH DIP (4P)
R338	1-216-033-00	s	RESISTOR,CHIP 220 1/10W(2012)	TP201	*a 1-535-881-21	o	TERMINAL, TP (AUTO INSERTION)
R339	1-216-033-00	s	RESISTOR,CHIP 220 1/10W(2012)	TP203	*a 1-535-881-21	o	TERMINAL, TP (AUTO INSERTION)
R340	1-216-033-00	s	RESISTOR,CHIP 220 1/10W(2012)	TP204	1-535-881-21	o	TERMINAL, TP (AUTO INSERTION)
R341	1-216-033-00	s	RESISTOR,CHIP 220 1/10W(2012)	TP208	1-535-881-21	o	TERMINAL, TP (AUTO INSERTION)
R342	1-216-033-00	s	RESISTOR,CHIP 220 1/10W(2012)	TP209	1-535-881-21	o	TERMINAL, TP (AUTO INSERTION)
R343	1-216-033-00	s	RESISTOR,CHIP 220 1/10W(2012)	X200	1-579-599-11	s	VIBRATOR,CERAMIC (8.83MHZ)
R344	1-216-033-00	s	RESISTOR,CHIP 220 1/10W(2012)				
R345	1-216-033-00	s	RESISTOR,CHIP 220 1/10W(2012)				
R346	1-216-033-00	s	RESISTOR,CHIP 220 1/10W(2012)				
R361	1-216-295-91	s	RESISTOR, CHIP 0 (1/10W)				
R362	1-216-049-91	s	RESISTOR,CHIP 1K 1/10W(2125)				
R363	1-216-073-00	s	RESISTOR,CHIP 10K 1/10W(2012)				
R364	1-216-073-00	s	RESISTOR,CHIP 10K 1/10W(2012)				
R365	1-216-041-00	s	RESISTOR, CHIP 470 1/10W(2012)				
R366	1-216-041-00	s	RESISTOR, CHIP 470 1/10W(2012)				
R367	1-216-643-11	s	RESISTOR CHIP 470 1/10W (2012)				
R368	1-216-643-11	s	RESISTOR CHIP 470 1/10W (2012)				
R369	1-216-643-11	s	RESISTOR CHIP 470 1/10W (2012)				
R370	1-216-295-91	s	RESISTOR, CHIP 0 (1/10W)				
R371	1-216-675-11	s	RESISTOR CHIP 10K 1/10W(2012)				
R372	1-216-033-00	s	RESISTOR,CHIP 220 1/10W(2012)				
R374	1-216-049-91	s	RESISTOR,CHIP 1K 1/10W(2125)				
R375	1-216-033-00	s	RESISTOR,CHIP 220 1/10W(2012)				
R376	1-216-033-00	s	RESISTOR,CHIP 220 1/10W(2012)				
R377	1-216-089-91	s	RESISTOR, CHIP 47K				
R379	1-216-097-91	s	RESISTOR,CHIP 100K 1/10W(2012)				
R380	1-216-097-91	s	RESISTOR,CHIP 100K 1/10W(2012)				
R381	1-216-025-91	s	RESISTOR,CHIP 100 1/10W(2125)				
R382	1-216-025-91	s	RESISTOR,CHIP 100 1/10W(2125)				
R384	1-216-037-00	s	RESISTOR,CHIP 330 1/10W(2012)				
R385	1-216-049-91	s	RESISTOR,CHIP 1K 1/10W(2125)				
R393	1-216-295-91	s	RESISTOR, CHIP 0 (1/10W)				
R400	1-216-049-91	s	RESISTOR,CHIP 1K 1/10W(2125)				
R401	1-216-017-91	s	RESISTOR, CHIP 47 1/10W(2012)				
R402	1-216-017-91	s	RESISTOR, CHIP 47 1/10W(2012)				
R403	1-216-017-91	s	RESISTOR, CHIP 47 1/10W(2012)				
R404	1-216-089-91	s	RESISTOR, CHIP 47K				
R405	1-216-694-11	s	RESISTOR,CHIP 62K 1/10W(2012)				
R406	1-216-699-11	s	RESISTOR,CHIP 100K 1/10W(2012)				
R411	1-216-097-91	s	RESISTOR,CHIP 100K 1/10W(2012)				
R412	1-216-097-91	s	RESISTOR,CHIP 100K 1/10W(2012)				
R413	1-216-097-91	s	RESISTOR,CHIP 100K 1/10W(2012)				
R417	1-216-295-91	s	RESISTOR, CHIP 0 (1/10W)				
R500	1-216-295-91	s	RESISTOR, CHIP 0 (1/10W)				
R502	1-216-025-91	s	RESISTOR,CHIP 100 1/10W(2125)				
R503	1-216-025-91	s	RESISTOR,CHIP 100 1/10W(2125)				
R505	1-216-295-91	s	RESISTOR, CHIP 0 (1/10W)				
R507	1-216-295-91	s	RESISTOR, CHIP 0 (1/10W)				
R508	1-216-097-91	s	RESISTOR,CHIP 100K 1/10W(2012)				
R511	1-216-097-91	s	RESISTOR,CHIP 100K 1/10W(2012)				
R601	1-216-033-00	s	RESISTOR,CHIP 220 1/10W(2012)				
R603	1-216-033-00	s	RESISTOR,CHIP 220 1/10W(2012)				
RV200	1-241-786-11	s	RESISTOR, ADJ CERMET 22K				

-----  
TBC-23 BOARD for DVW-A500P/A510P/CA510P, suffix 11 through 15  
-----

Ref. No. or Q'ty	Part No.	SP	Description
1pc	A-8275-079-B	o	MOUNTED CIRCUIT BOARD, TBC-23P (For Europa model)
	A-8275-271-B	o	MOUNTED CIRCUIT BOARD, TBC-23PG (For USA and Canada models)
1pc	3-171-455-01	o	PLATE (S), SHIELD, CARD
1pc	3-696-787-03	o	SHEET (S), CARD
1pc	7-682-902-11	s	SCREW +PWH 2.6x5
1pc	3-179-084-01	s	LEVER (R), PC BOARD
1pc	3-179-085-01	s	LEVER (L), PC BOARD
C11,12	1-126-933-11	s	ELECT 100uF 20% 16V
C13	1-163-037-11	s	CERAMIC, CHIP 0.022uF 10% 25V (2125)
C16-18	1-126-933-11	s	ELECT 100uF 20% 16V
C19	1-163-037-11	s	CERAMIC, CHIP 0.022uF 10% 25V (2125)
C20,21	1-126-933-11	s	ELECT 100uF 20% 16V
C22	1-163-037-11	s	CERAMIC, CHIP 0.022uF 10% 25V (2125)
C23	1-126-933-11	s	ELECT 100uF 20% 16V
C24	1-163-037-11	s	CERAMIC, CHIP 0.022uF 10% 25V (2125)
C25	1-126-933-11	s	ELECT 100uF 20% 16V
C26	1-163-037-11	s	CERAMIC, CHIP 0.022uF 10% 25V (2125)
C27	1-126-933-11	s	ELECT 100uF 20% 16V
C28	1-163-037-11	s	CERAMIC, CHIP 0.022uF 10% 25V (2125)
C101	1-163-037-11	s	CERAMIC, CHIP 0.022uF 10% 25V (2125)
C105-119	1-163-113-00	s	CERAMIC, CHIP 68pF 5% 50V (2125)
C120	1-163-037-11	s	CERAMIC, CHIP 0.022uF 10% 25V (2125)
C122-131	1-163-037-11	s	CERAMIC, CHIP 0.022uF 10% 25V (2125)
C132	1-126-933-11	s	ELECT 100uF 20% 16V
C133,134	1-163-037-11	s	CERAMIC, CHIP 0.022uF 10% 25V (2125)
C135	1-126-933-11	s	ELECT 100uF 20% 16V
C136-142	1-163-037-11	s	CERAMIC, CHIP 0.022uF 10% 25V (2125)
C143	*4 1-135-156-21	s	TANTALUM, CHIP 6.8uF 10% 10V
	*2 1-135-161-21	s	TANTALUM, CHIP 22uF 10% 10V
C144	1-163-037-11	s	CERAMIC, CHIP 0.022uF 10% 25V (2125)
C200	1-163-037-11	s	CERAMIC, CHIP 0.022uF 10% 25V (2125)
C201	1-126-933-11	s	ELECT 100uF 20% 16V
C202	1-163-037-11	s	CERAMIC, CHIP 0.022uF 10% 25V (2125)
C204-206	1-163-037-11	s	CERAMIC, CHIP 0.022uF 10% 25V (2125)
C207	1-126-963-11	s	ELECT 4.7uF 20% 50V
C208	1-163-037-11	s	CERAMIC, CHIP 0.022uF 10% 25V (2125)
C209	1-126-933-11	s	ELECT 100uF 20% 16V
C210-215	1-163-037-11	s	CERAMIC, CHIP 0.022uF 10% 25V (2125)
C216	1-126-933-11	s	ELECT 100uF 20% 16V
C217-219	1-163-037-11	s	CERAMIC, CHIP 0.022uF 10% 25V (2125)
C220,221	1-126-933-11	s	ELECT 100uF 20% 16V
C222,223	1-163-037-11	s	CERAMIC, CHIP 0.022uF 10% 25V (2125)
C224	1-163-251-11	s	CERAMIC, CHIP 100pF 5% 50V (2125)
C225	1-126-933-11	s	ELECT 100uF 20% 16V
C226,227	1-163-037-11	s	CERAMIC, CHIP 0.022uF 10% 25V (2125)
C228	1-126-933-11	s	ELECT 100uF 20% 16V
C229-235	1-163-037-11	s	CERAMIC, CHIP 0.022uF 10% 25V (2125)
C236	1-163-251-11	s	CERAMIC, CHIP 100pF 5% 50V (2125)
C237	1-163-037-11	s	CERAMIC, CHIP 0.022uF 10% 25V (2125)
C238	1-135-161-21	s	TANTALUM, CHIP 22uF 10% 10V
C239	1-163-037-11	s	CERAMIC, CHIP 0.022uF 10% 25V (2125)
C240	1-163-038-00	s	CERAMIC, CHIP 0.1uF 25V (2125)
C241	1-135-161-21	s	TANTALUM, CHIP 22uF 10% 10V
C242-244	1-163-037-11	s	CERAMIC, CHIP 0.022uF 10% 25V (2125)

-----  
\*2: Board No. suffix 11 or 12  
\*4: Board No. suffix 13 or higher  
-----

Ref. No. or Q'ty	Part No.	SP	Description
C245	1-126-933-11	s	ELECT 100uF 20% 16V
C246	1-135-180-21	s	TANTALUM, CHIP 3.3uF 10% 10V
C247	1-163-037-11	s	CERAMIC, CHIP 0.022uF 10% 25V
C248	1-135-180-21	s	TANTALUM, CHIP 3.3uF 10% 10V
C249	1-135-072-21	s	TANTALUM, CHIP 0.22uF 10% 35V
C250	1-163-038-00	s	CERAMIC, CHIP 0.1uF 25V (2125)
C251	1-163-037-11	s	CERAMIC, CHIP 0.022uF 10% 25V
C252	1-126-964-11	s	ELECT 10uF 20% 50V
C253-258	1-163-037-11	s	CERAMIC, CHIP 0.022uF 10% 25V
C259	1-163-239-11	s	CERAMIC, CHIP 33pF 5% 50V (2125)
C260-262	1-163-037-11	s	CERAMIC, CHIP 0.022uF 10% 25V
C263	1-163-038-00	s	CERAMIC, CHIP 0.1uF 25V (2125)
C264	1-163-237-11	s	CERAMIC, CHIP 27pF 5% 50V (2125)
C265	1-163-239-11	s	CERAMIC, CHIP 33pF 5% 50V (2125)
C266	1-163-251-11	s	CERAMIC, CHIP 100pF 5% 50V
C267	1-163-239-11	s	CERAMIC, CHIP 33pF 5% 50V (2125)
C268,269	1-126-933-11	s	ELECT 100uF 20% 16V
C270	1-163-037-11	s	CERAMIC, CHIP 0.022uF 10% 25V
C271	1-163-235-11	s	CERAMIC, CHIP 22pF 5% 50V (2125)
C272	1-164-232-11	s	CERAMIC, CHIP 0.01uF 10% 100V
C273	1-163-235-11	s	CERAMIC, CHIP 22pF 5% 50V (2125)
C274	1-163-037-11	s	CERAMIC, CHIP 0.022uF 10% 25V
C275	1-163-251-11	s	CERAMIC, CHIP 100pF 5% 50V (2125)
C276	1-163-037-11	s	CERAMIC, CHIP 0.022uF 10% 25V
C277	*3 1-163-125-00	s	CERAMIC, CHIP 220pF 5% 50V (2125)
	*1 1-163-275-11	s	CERAMIC, CHIP 1000pF 5% 50V
C278	1-163-133-00	s	CERAMIC, CHIP 470pF 5% 50V
C279	*3 1-164-232-11	s	CERAMIC, CHIP 0.01uF 10% 100V
	*1 1-161-051-00	s	CERAMIC 0.01uF 10% 50V
C500	*4 1-163-037-11	s	CERAMIC, CHIP 0.022uF 10% 25V
C501	*4 1-163-037-11	s	CERAMIC, CHIP 0.022uF 10% 25V
C503	*4 1-163-037-11	s	CERAMIC, CHIP 0.022uF 10% 25V
C504	*4 1-163-037-11	s	CERAMIC, CHIP 0.022uF 10% 25V
C505	*4 1-163-037-11	s	CERAMIC, CHIP 0.022uF 10% 25V
C506	*4 1-163-037-11	s	CERAMIC, CHIP 0.022uF 10% 25V
C507	*4 1-163-037-11	s	CERAMIC, CHIP 0.022uF 10% 25V
CN1	1-506-493-11	s	CONNECTOR, 14P, MALE
CN101	1-750-795-21	s	CONNECTOR, PHEC 120P, MALE
D101	*9 8-719-024-81	s	DIODE 1SS300
	*8 8-719-123-82	s	DIODE 1SS303
D106	*9 8-719-404-35	s	DIODE MA141WK
	*8 8-719-123-85	s	DIODE 1SS304
D107-110	*9 8-719-024-81	s	DIODE 1SS300
	*8 8-719-123-82	s	DIODE 1SS303
D200	8-719-026-16	s	LED CL-150D-CD, ORG
D201,202	8-719-941-23	s	DIODE DA204U
D203	8-719-941-86	s	DIODE DAN202U
D204,205	8-719-941-09	s	DIODE DAP202U
D206,207	*9 8-719-024-81	s	DIODE 1SS300
	*8 8-719-123-82	s	DIODE 1SS303
FL201-214	1-239-719-31	s	FILTER, NOISE, CHIP

-----  
 \*1: Board No. suffix 11 only  
 \*3: Board No. suffix 12 or higher  
 \*4: Board No. suffix 13 or higher

Ref. No. or Q'ty	Part No.	SP	Description
IC13	*9 8-759-239-14	s	IC TA78L05S
	*8 8-759-708-05	s	IC NJM78L05A
IC14	8-759-700-65	s	IC NJM79L05A
IC101	8-759-926-52	s	IC SN74HC257ANS
IC104	8-759-194-81	s	IC CXD8395AQ
IC105	8-759-194-81	s	IC CXD8395AQ
IC107	8-752-340-52	s	IC CXK48324Q
IC109	8-752-340-52	s	IC CXK48324Q
IC110	8-752-341-30	s	IC CXD2210Q
IC111	8-752-341-30	s	IC CXD2210Q
IC112	8-752-341-32	s	IC CXD2209Q
IC113	*9 8-759-399-52	s	IC CXD8935BQ
	*8 8-759-298-73	s	IC CXD8935AQ
IC114	8-759-925-85	s	IC SN74HC32ANS
IC118	8-759-008-37	s	IC MC74HC4050F
IC200	8-759-488-17	s	IC BR93LC46F
IC201	8-759-030-16	s	IC MC34182M
IC202	8-759-298-59	s	IC UPD78014GC-621-AB8
IC203	*9 8-759-395-37	s	IC XRD7523AID-JTR
	*8 8-759-711-52	s	IC NJU8001M
IC204	8-759-700-43	s	IC NJM4558M
IC205	8-752-355-09	s	IC CXD104-114Q
IC206	8-752-356-05	s	IC CXD206-104Q
IC207	8-759-440-94	s	IC SN74LVT245ANS
IC208	8-759-440-94	s	IC SN74LVT245ANS
IC209	8-759-673-45	s	IC MM74HC08SJX
IC210	8-759-673-36	s	IC MM74HC00SJX
IC211	8-759-925-90	s	IC SN74HC74ANS
IC212	8-759-925-80	s	IC SN74HC14ANS
IC214	8-759-702-08	s	IC NJM360M
IC215	8-759-239-23	s	IC TC74HC86AF
IC216	8-752-306-51	s	IC CX23065A
IC217	8-759-710-88	s	IC NJM431U
IC218	8-759-030-74	s	IC SC14S66F
IC219	8-759-030-16	s	IC MC34182M
IC220	8-759-925-05	s	IC LM2903PS
IC221	8-759-239-55	s	IC TC74HC123AF
IC222	8-759-940-45	s	IC S-8054HN-CB-S
IC223	8-759-239-55	s	IC TC74HC123AF
IC224	8-759-440-94	s	IC SN74LVT245ANS
IC225	8-759-986-33	s	IC 74ACT245SJ
IC229	8-759-987-82	s	IC 74AC00SJ
IC230	8-759-907-81	s	IC SN74LS221NS
IC500	*4 8-752-341-32	s	IC CXD2209Q
IC501	*4 8-752-341-32	s	IC CXD2209Q
IC502	*4 8-759-925-85	s	IC SN74HC32ANS
IC503	*4 8-759-007-80	s	IC MC74HC175F
IC504	*4 8-759-672-91	s	IC MM74HC163SJX
IC505	*4 8-759-925-80	s	IC SN74HC14ANS
IC506	*4 8-759-925-90	s	IC SN74HC74ANS
L11-14	1-412-533-21	s	INDUCTOR 47uH
L105,106	1-408-974-21	s	INDUCTOR 22uH
L200	1-408-420-00	s	INDUCTOR 82uH
L201-204	1-408-974-21	s	INDUCTOR 22uH
L206,207	1-408-974-21	s	INDUCTOR 22uH

-----  
 \*8: Board No. suffix 11 through 14  
 \*9: Board No. suffix 15 or higher

Ref. No. or Q'ty	Part No.	SP Description
L208	1-408-420-00	s INDUCTOR 82uH
L210,211	1-410-803-31	s INDUCTOR, CHIP 0.047uH
PS1	△ 1-533-347-21	s LINK, IC, CHIP 0.5A (For Europa model)
	△ 1-533-271-21	s FUSE, CHIP 0.5A 125V (For USA and Canada models)
Q201	8-729-117-32	s TRANSISTOR 2SC4177-L6
Q202,203	8-729-905-18	s TRANSISTOR DTC144EU
Q204,205	8-729-140-63	s TRANSISTOR 2SA1611-M5M6
Q207	8-729-117-32	s TRANSISTOR 2SC4177-L6
Q208	8-729-140-63	s TRANSISTOR 2SA1611-M5M6
Q210	*7 8-729-905-18	s TRANSISTOR DTC144EU
R109,110	1-216-049-00	s METAL, CHIP 1.0K 5% 1/10W (2125)
R111-114	1-216-017-00	s METAL, CHIP 47 5% 1/10W (2125)
R115	1-216-057-00	s METAL, CHIP 2.2K 5% 1/10W (2125)
R116	1-216-017-00	s METAL, CHIP 47 5% 1/10W (2125)
R118-120	1-216-057-00	s METAL, CHIP 2.2K 5% 1/10W (2125)
R121	1-216-017-00	s METAL, CHIP 47 5% 1/10W (2125)
R122-124	1-216-057-00	s METAL, CHIP 2.2K 5% 1/10W (2125)
R125	1-216-049-00	s METAL, CHIP 1.0K 5% 1/10W (2125)
R126	1-216-057-00	s METAL, CHIP 2.2K 5% 1/10W (2125)
R129	1-216-073-00	s METAL, CHIP 10K 5% 1/10W (2125)
R130,131	1-216-057-00	s METAL, CHIP 2.2K 5% 1/10W (2125)
R134	1-216-065-00	s METAL, CHIP 4.7K 5% 1/10W (2125)
R135	*3 1-216-025-00	s METAL, CHIP 100 5% 1/10W (2125)
	*1 1-216-049-00	s METAL, CHIP 1.0K 5% 1/10W (2125)
R136	1-216-017-00	s METAL, CHIP 47 5% 1/10W (2125)
R137	1-216-295-00	s METAL, CHIP 0 (2125)
R139	1-216-017-00	s METAL, CHIP 47 5% 1/10W (2125)
R140	*9 1-216-097-91	s METAL, CHIP 100K 5% 1/10W
R141	*9 1-216-089-91	s METAL, CHIP 47K 5% 1/10W (2125)
R142	*9 1-216-017-91	s METAL, CHIP 47 5% 1/10W
R143	*3 1-216-025-00	s METAL, CHIP 100 5% 1/10W (2125)
R144	1-216-097-00	s METAL, CHIP 100K 5% 1/10W (2125)
R145	1-216-057-00	s METAL, CHIP 2.2K 5% 1/10W (2125)
R146-150	1-216-049-00	s METAL, CHIP 1.0K 5% 1/10W (2125)
R151	*3 1-216-017-00	s METAL, CHIP 47 5% 1/10W (2125)
R153	*3 1-216-017-00	s METAL, CHIP 47 5% 1/10W (2125)
R154	*3 1-216-025-00	s METAL, CHIP 100 5% 1/10W (2125)
R156	*3 1-216-017-00	s METAL, CHIP 47 5% 1/10W (2125)
R157	*3 1-216-017-00	s METAL, CHIP 47 5% 1/10W (2125)
R158	*3 1-216-025-00	s METAL, CHIP 100 5% 1/10W (2125)
R161	*3 1-216-295-00	s METAL, CHIP 0 (2125)
R162	*3 1-216-295-00	s METAL, CHIP 0 (2125)
R171	*3 1-216-295-00	s METAL, CHIP 0 (2125)
R172	*3 1-216-295-00	s METAL, CHIP 0 (2125)
R200	1-216-017-00	s METAL, CHIP 47 5% 1/10W (2125)
R202	1-216-049-00	s METAL, CHIP 1.0K 5% 1/10W (2125)
R203	1-216-089-00	s METAL, CHIP 47K 5% 1/10W (2125)
R204-210	1-216-049-00	s METAL, CHIP 1.0K 5% 1/10W (2125)
R211-215	1-216-089-00	s METAL, CHIP 47K 5% 1/10W (2125)
R217	1-216-295-00	s METAL, CHIP 0 (2125)
R219	1-216-295-00	s METAL, CHIP 0 (2125)
R221	1-216-057-00	s METAL, CHIP 2.2K 5% 1/10W (2125)
R222	1-216-097-00	s METAL, CHIP 100K 5% 1/10W (2125)

\*1: Board No. suffix 11 only  
\*3: Board No. suffix 12 or higher

Ref. No. or Q'ty	Part No.	SP Description
R223	1-216-057-00	s METAL, CHIP 2.2K 5% 1/10W (2125)
R225	1-216-295-00	s METAL, CHIP 0 (2125)
R226	1-216-045-00	s METAL, CHIP 680 5% 1/10W (2125)
R227	1-216-057-00	s METAL, CHIP 2.2K 5% 1/10W (2125)
R228,229	1-216-097-00	s METAL, CHIP 100K 5% 1/10W (2125)
R230	1-216-057-00	s METAL, CHIP 2.2K 5% 1/10W (2125)
R231	*3 1-216-049-00	s METAL, CHIP 1.0K 5% 1/10W (2125)
R232	1-216-097-00	s METAL, CHIP 100K 5% 1/10W (2125)
R234	1-216-073-00	s METAL, CHIP 10K 5% 1/10W (2125)
R235	1-216-057-00	s METAL, CHIP 2.2K 5% 1/10W (2125)
R236,237	1-216-089-00	s METAL, CHIP 47K 5% 1/10W (2125)
R238,239	1-216-675-11	s METAL, CHIP 10K 0.5% 1/10W (2125)
R240	1-216-097-00	s METAL, CHIP 100K 5% 1/10W (2125)
R241	1-216-089-00	s METAL, CHIP 47K 5% 1/10W (2125)
R242	1-216-073-00	s METAL, CHIP 10K 5% 1/10W (2125)
R253	*1 1-216-017-00	s METAL, CHIP 47 5% 1/10W (2125)
R256	1-216-017-00	s METAL, CHIP 47 5% 1/10W (2125)
R257	1-216-041-00	s METAL, CHIP 470 5% 1/10W (2125)
R258	1-216-651-11	s METAL, CHIP 1.0K 0.5% 1/10W (2125)
R259	1-216-295-00	s METAL, CHIP 0 (2125)
R260	1-216-651-11	s METAL, CHIP 1.0K 0.5% 1/10W (2125)
R262	1-216-049-00	s METAL, CHIP 1.0K 5% 1/10W (2125)
R263	1-216-073-00	s METAL, CHIP 10K 5% 1/10W (2125)
R266,267	1-216-033-00	s METAL, CHIP 220 5% 1/10W (2125)
R268	1-216-017-00	s METAL, CHIP 47 5% 1/10W (2125)
R270	1-216-037-00	s METAL, CHIP 330 5% 1/10W (2125)
R271,272	1-216-651-11	s METAL, CHIP 1.0K 0.5% 1/10W (2125)
R273	1-216-667-11	s METAL, CHIP 4.7K 0.5% 1/10W (2125)
R274	1-216-089-00	s METAL, CHIP 47K 5% 1/10W (2125)
R275	1-216-682-11	s METAL, CHIP 20K 0.5% 1/10W (2125)
R276	1-216-667-11	s METAL, CHIP 4.7K 0.5% 1/10W (2125)
R277	1-216-682-11	s METAL, CHIP 20K 0.5% 1/10W (2125)
R278	1-216-659-11	s METAL, CHIP 2.2K 0.5% 1/10W (2125)
R279	1-216-665-11	s METAL, CHIP 3.9K 0.5% 1/10W (2125)
R280,281	1-216-659-11	s METAL, CHIP 2.2K 0.5% 1/10W (2125)
R282,283	1-216-105-11	s METAL, CHIP 220K 5% 1/10W (2125)
R284	1-216-073-00	s METAL, CHIP 10K 5% 1/10W (2125)
R285	1-216-081-00	s METAL, CHIP 22K 5% 1/10W (2125)
R286	1-216-687-11	s METAL, CHIP 33K 0.5% 1/10W (2125)
R287	1-216-651-11	s METAL, CHIP 1.0K 0.5% 1/10W (2125)
R288	1-216-017-00	s METAL, CHIP 47 5% 1/10W (2125)
R290-294	1-216-033-00	s METAL, CHIP 220 5% 1/10W (2125)
R295	1-216-679-11	s METAL, CHIP 15K 0.5% 1/10W (2125)
R296	1-216-033-00	s METAL, CHIP 220 5% 1/10W (2125)
R297	1-216-073-00	s METAL, CHIP 10K 5% 1/10W (2125)
R298	1-216-627-11	s METAL, CHIP 100 0.5% 1/10W (2125)
R299	1-216-651-11	s METAL, CHIP 1.0K 0.5% 1/10W (2125)
R300,301	1-208-812-11	s METAL, CHIP 18K 0.5% 1/10W (2125)
R302	1-216-073-00	s METAL, CHIP 10K 5% 1/10W (2125)
R303	1-216-627-11	s METAL, CHIP 100 0.5% 1/10W (2125)
R304	1-216-651-11	s METAL, CHIP 1.0K 0.5% 1/10W (2125)
R305	1-216-033-00	s METAL, CHIP 220 5% 1/10W (2125)
R306	1-216-025-00	s METAL, CHIP 100 5% 1/10W (2125)
R307,308	1-216-033-00	s METAL, CHIP 220 5% 1/10W (2125)
R309	1-216-017-00	s METAL, CHIP 47 5% 1/10W (2125)
R310	1-216-025-00	s METAL, CHIP 100 5% 1/10W (2125)

\*7: LOT No. 305 through 502  
\*9: Board No. suffix 15 or higher

(TBC-23 BOARD for DVW-A500P/A510P/CA510P, suffix 11 through 15)

TBC-24 BOARD for DVW-A500P/A510P/CA510P, suffix 16 or higher

Ref. No. or Q'ty	Part No.	SP	Description
R312-315	1-216-033-00	s	METAL, CHIP 220 5% 1/10W (2125)
R317-319	1-216-033-00	s	METAL, CHIP 220 5% 1/10W (2125)
R333-346	1-216-033-00	s	METAL, CHIP 220 5% 1/10W (2125)
R361	1-216-295-00	s	METAL, CHIP 0 (2125)
R362	1-216-049-00	s	METAL, CHIP 1.0K 5% 1/10W (2125)
R363,364	1-216-073-00	s	METAL, CHIP 10K 5% 1/10W (2125)
R365,366	1-216-041-00	s	METAL, CHIP 470 5% 1/10W (2125)
R367-369	1-208-774-11	s	METAL, CHIP 470 0.5% 1/10W (2125)
R370	1-216-295-00	s	METAL, CHIP 0 (2125)
R371	1-216-675-11	s	METAL, CHIP 10K 0.5% 1/10W (2125)
R372	1-216-033-00	s	METAL, CHIP 220 5% 1/10W (2125)
R374	1-216-049-00	s	METAL, CHIP 1.0K 5% 1/10W (2125)
R375,376	1-216-057-00	s	METAL, CHIP 2.2K 5% 1/10W (2125)
R377,378	1-216-049-00	s	METAL, CHIP 1.0K 5% 1/10W (2125)
R379,380	1-216-089-00	s	METAL, CHIP 47K 5% 1/10W (2125)
R381,382	1-216-049-00	s	METAL, CHIP 1.0K 5% 1/10W (2125)
R384	1-216-037-00	s	METAL, CHIP 330 5% 1/10W (2125)
R385	1-216-049-00	s	METAL, CHIP 1.0K 5% 1/10W (2125)
R400 *3	1-216-049-00	s	METAL, CHIP 1.0K 5% 1/10W (2125)
R401-403	1-216-017-00	s	METAL, CHIP 47 5% 1/10W (2125)
R404	1-216-089-00	s	METAL, CHIP 47K 5% 1/10W (2125)
R405	1-216-694-11	s	METAL, CHIP 62K 0.5% 1/10W (2125)
R406	1-216-699-11	s	METAL, CHIP 100K 0.5% 1/10W
R411 *7	1-216-097-00	s	METAL, CHIP 100K 5% 1/10W (2125)
R412 *3	1-216-097-00	s	METAL, CHIP 100K 5% 1/10W (2125)
R500 *4	1-216-295-00	s	METAL, CHIP 0 (2125)
R502 *4	1-216-025-00	s	METAL, CHIP 100 5% 1/10W (2125)
R503 *4	1-216-025-00	s	METAL, CHIP 100 5% 1/10W (2125)
R505 *4	1-216-295-00	s	METAL, CHIP 0 (2125)
R507 *4	1-216-295-00	s	METAL, CHIP 0 (2125)
R508 *4	1-216-097-00	s	METAL, CHIP 100K 5% 1/10W (2125)
R511 *4	1-216-097-00	s	METAL, CHIP 100K 5% 1/10W (2125)
R601 *5	1-216-033-00	s	METAL, CHIP 220 5% 1/10W (2125)
R603 *5	1-216-033-00	s	METAL, CHIP 220 5% 1/10W (2125)
RV200	1-241-786-11	s	RES, ADJ, CERMET 22K
RV201	1-241-786-11	s	RES, ADJ, CERMET 22K
RV202	1-241-786-11	s	RES, ADJ, CERMET 22K
S1	1-692-536-11	s	SWITCH, DIP 8-CKT
S500 *4	1-692-535-11	s	SWITCH, DIP 4-CKT
X200	1-579-599-21	s	RESONATOR, CERAMIC 8.38 MHz

Ref. No. or Q'ty	Part No.	SP	Description
*a: Lot No. 803-0A5			
*b: Lot No. 0B1-			
1pc	A-8275-087-A	o	MOUNTED CIRCUIT BOARD, TBC-24P
1pc	3-696-787-03	o	SHEET(S),CARD
1pc	3-696-891-03	o	PLATE, CARD-S
4pcs	7-682-902-11	s	SCREW +PWH 2.6X5(EF-FE/ZN/CM2)
1pc	3-179-084-01	s	LEVER(R),PRINTED C,BOARD
1pc	3-179-085-01	s	LEVER(L),PRINTED C.BOARD
C11	1-126-933-11	s	CAPACITOR,ELECT 100MF/16V
C12	1-126-933-11	s	CAPACITOR,ELECT 100MF/16V
C13	1-126-933-11	s	CAPACITOR,ELECT 100MF/16V
C14	1-126-933-11	s	CAPACITOR,ELECT 100MF/16V
C15	1-126-933-11	s	CAPACITOR,ELECT 100MF/16V
C16	1-126-933-11	s	CAPACITOR,ELECT 100MF/16V
C17	1-163-037-11	s	CAPACITOR,CHIP CERAMIC 0.022MF
C18	1-163-037-11	s	CAPACITOR,CHIP CERAMIC 0.022MF
C19	1-163-037-11	s	CAPACITOR,CHIP CERAMIC 0.022MF
C20	1-126-933-11	s	CAPACITOR,ELECT 100MF/16V
C21	1-126-933-11	s	CAPACITOR,ELECT 100MF/16V
C22	1-126-933-11	s	CAPACITOR,ELECT 100MF/16V
C23	1-126-933-11	s	CAPACITOR,ELECT 100MF/16V
C24	1-126-933-11	s	CAPACITOR,ELECT 100MF/16V
C25	1-126-933-11	s	CAPACITOR,ELECT 100MF/16V
C26	1-126-933-11	s	CAPACITOR,ELECT 100MF/16V
C27	1-104-914-11	s	CAPACITOR CHIP TANTAL 22MF/16V
C28	1-104-914-11	s	CAPACITOR CHIP TANTAL 22MF/16V
C30	1-163-037-11	s	CAPACITOR,CHIP CERAMIC 0.022MF
C31	1-126-933-11	s	CAPACITOR,ELECT 100MF/16V
C32	1-104-914-11	s	CAPACITOR CHIP TANTAL 22MF/16V
C33	1-113-981-11	s	CAPACITOR TANTALUM 22MF/20V
C34	1-113-981-11	s	CAPACITOR TANTALUM 22MF/20V
C35	1-104-914-11	s	CAPACITOR CHIP TANTAL 22MF/16V
C100	1-163-037-11	s	CAPACITOR,CHIP CERAMIC 0.022MF
C103	1-135-070-00	s	CAPACITOR TANTALUM 0.1MF/35V
C104	1-163-037-11	s	CAPACITOR,CHIP CERAMIC 0.022MF
C105	1-163-275-11	s	CAPACITOR CERAMIC 1000PF/50V
C106	1-126-960-11	s	CAPACITOR,ELECT 1MF/50V
C108	1-163-037-11	s	CAPACITOR,CHIP CERAMIC 0.022MF
C109	1-163-037-11	s	CAPACITOR,CHIP CERAMIC 0.022MF
C110	1-126-964-11	s	CAPACITOR, ELECT 10MF/50V
C111	1-126-964-11	s	CAPACITOR, ELECT 10MF/50V
C112	1-104-914-11	s	CAPACITOR CHIP TANTAL 22MF/16V
C113	1-135-177-21	s	CAPACITOR TANTALUM 1MF/25V
C114	1-163-021-91	s	CAPACITOR, CERAMIC 0.01MF/50V
C115	1-163-037-11	s	CAPACITOR,CHIP CERAMIC 0.022MF
C116	1-163-037-11	s	CAPACITOR,CHIP CERAMIC 0.022MF
C117	1-163-253-11	s	CAPACITOR CERAMIC 120PF/50V
C118	1-163-227-11	s	CAPACITOR CERAMIC 10PF/50V(CH)
C119	1-127-517-11	s	CAPACITOR,ELECT 150MF/16V
C120	1-127-517-11	s	CAPACITOR,ELECT 150MF/16V
C121	1-163-037-11	s	CAPACITOR,CHIP CERAMIC 0.022MF
C122	1-163-037-11	s	CAPACITOR,CHIP CERAMIC 0.022MF
C124	1-127-516-11	s	CAPACITOR,ELECT (SOLID)220MF
C125	1-163-037-11	s	CAPACITOR,CHIP CERAMIC 0.022MF
C126	1-163-037-11	s	CAPACITOR,CHIP CERAMIC 0.022MF
C129	1-163-251-11	s	CAPACITOR CERAMIC 100PF/50V
C130	1-163-037-11	s	CAPACITOR,CHIP CERAMIC 0.022MF
C131	1-163-251-11	s	CAPACITOR CERAMIC 100PF/50V
C132	1-163-037-11	s	CAPACITOR,CHIP CERAMIC 0.022MF
C133	1-163-037-11	s	CAPACITOR,CHIP CERAMIC 0.022MF

-----  
 \*3: Board No. suffix 12 or higher  
 \*4: Board No. suffix 13 or higher  
 \*5: Board No. suffix 14 or higher  
 \*7: LOT No. 305 through 502

(TBC-24 BOARD for DVW-A500P/A510P/CA510P, suffix 16 or higher) (TBC-24 BOARD for DVW-A500P/A510P/CA510P, suffix 16 or higher)

Ref. No. or Q'ty	Part No.	SP Description	Ref. No. or Q'ty	Part No.	SP Description
C135	1-135-070-00	s CAPACITOR TANTALUM 0.1MF/35V	C310	1-163-037-11	s CAPACITOR,CHIP CERAMIC 0.022MF
C136	1-163-037-11	s CAPACITOR,CHIP CERAMIC 0.022MF	C311	1-163-275-11	s CAPACITOR CERAMIC 1000PF/50V
C138	1-104-914-11	s CAPACITOR,CHIP TANTAL 22MF/16V	C312	1-163-231-11	s CAPACITOR,CHIP CERAMIC15PF/50V
C139	1-163-037-11	s CAPACITOR,CHIP CERAMIC 0.022MF	C313	1-164-004-11	s CAPACITOR,CERAMIC 0.1MF/25V
C141	1-163-037-11	s CAPACITOR,CHIP CERAMIC 0.022MF	C314	1-163-037-11	s CAPACITOR,CHIP CERAMIC 0.022MF
C142	1-126-933-11	s CAPACITOR,ELECT 100MF/16V	C315	1-163-037-11	s CAPACITOR,CHIP CERAMIC 0.022MF
C143	1-163-037-11	s CAPACITOR,CHIP CERAMIC 0.022MF	C316	1-164-004-11	s CAPACITOR,CERAMIC 0.1MF/25V
C144	1-126-933-11	s CAPACITOR,ELECT 100MF/16V	C317	1-164-004-11	s CAPACITOR,CERAMIC 0.1MF/25V
C145	1-163-037-11	s CAPACITOR,CHIP CERAMIC 0.022MF	C318	1-163-037-11	s CAPACITOR,CHIP CERAMIC 0.022MF
C146	1-126-933-11	s CAPACITOR,ELECT 100MF/16V	C319	1-164-004-11	s CAPACITOR,CERAMIC 0.1MF/25V
C147	1-126-933-11	s CAPACITOR,ELECT 100MF/16V	C320	1-163-251-11	s CAPACITOR CERAMIC 100PF/50V
C148	1-163-037-11	s CAPACITOR,CHIP CERAMIC 0.022MF	C321	1-163-037-11	s CAPACITOR,CHIP CERAMIC 0.022MF
C149	1-163-037-11	s CAPACITOR,CHIP CERAMIC 0.022MF	C322	1-163-037-11	s CAPACITOR,CERAMIC 0.022MF
C150	1-126-933-11	s CAPACITOR,ELECT 100MF/16V	C323	1-163-037-11	s CAPACITOR,CHIP CERAMIC 0.022MF
C200	1-163-037-11	s CAPACITOR,CHIP CERAMIC 0.022MF	C324	1-163-037-11	s CAPACITOR,CHIP CERAMIC 0.022MF
C204	1-135-070-00	s CAPACITOR TANTALUM 0.1MF/35V	C325	1-163-251-11	s CAPACITOR CERAMIC 100PF/50V
C205	1-163-037-11	s CAPACITOR,CHIP CERAMIC 0.022MF	C326	1-163-037-11	s CAPACITOR,CHIP CERAMIC 0.022MF
C206	1-163-275-11	s CAPACITOR CERAMIC 1000PF/50V	C327	1-163-263-11	s CAPACITOR CERAMIC 330PF/50V
C207	1-126-960-11	s CAPACITOR,ELECT 1MF/50V	C328	1-163-133-00	s CAPACITOR,CHIP CERAMIC 470PF
C209	1-163-037-11	s CAPACITOR,CHIP CERAMIC 0.022MF	C329	1-126-933-11	s CAPACITOR,ELECT 100MF/16V
C210	1-163-037-11	s CAPACITOR,CHIP CERAMIC 0.022MF	C330	1-163-251-11	s CAPACITOR CERAMIC 100PF/50V
C211	1-126-964-11	s CAPACITOR, ELECT 10MF/50V	C331	1-163-037-11	s CAPACITOR,CHIP CERAMIC 0.022MF
C212	1-126-964-11	s CAPACITOR, ELECT 10MF/50V	C332	1-163-251-11	s CAPACITOR CERAMIC 100PF/50V
C214	1-135-177-21	s CAPACITOR TANTALUM 1MF/25V	C333	1-163-037-11	s CAPACITOR,CHIP CERAMIC 0.022MF
C215	1-163-021-91	s CAPACITOR, CERAMIC 0.01MF/50V	C334	1-126-933-11	s CAPACITOR,ELECT 100MF/16V
C216	1-163-037-11	s CAPACITOR,CHIP CERAMIC 0.022MF	C335	1-163-251-11	s CAPACITOR CERAMIC 100PF/50V
C217	1-163-037-11	s CAPACITOR,CHIP CERAMIC 0.022MF	C336	1-163-037-11	s CAPACITOR,CHIP CERAMIC 0.022MF
C218	1-163-253-11	s CAPACITOR CERAMIC 120PF/50V	C337	1-163-037-11	s CAPACITOR,CHIP CERAMIC 0.022MF
C219	1-163-227-11	s CAPACITOR CERAMIC 10PF/50V(CH)	C338	1-126-933-11	s CAPACITOR,ELECT 100MF/16V
C220	1-127-517-11	s CAPACITOR,ELECT 150MF/16V	C339	1-163-253-11	s CAPACITOR CERAMIC 120PF/50V
C221	1-127-517-11	s CAPACITOR,ELECT 150MF/16V	C340	1-163-037-11	s CAPACITOR,CHIP CERAMIC 0.022MF
C222	1-127-516-11	s CAPACITOR,ELECT (SOLID)220MF	C341	1-163-243-11	s CAPACITOR CHIP CERAMIC 47PF/50
C223	1-135-070-00	s CAPACITOR TANTALUM 0.1MF/35V	C342	1-163-133-00	s CAPACITOR,CHIP CERAMIC 470PF
C225	1-163-037-11	s CAPACITOR,CHIP CERAMIC 0.022MF	C343	1-163-021-91	s CAPACITOR, CERAMIC 0.01MF/50V
C226	1-163-037-11	s CAPACITOR,CHIP CERAMIC 0.022MF	C344	1-164-004-11	s CAPACITOR,CERAMIC 0.1MF/25V
C229	1-163-255-91	s CAPACITOR,CHIP CERAMIC 150PF	C345	1-126-933-11	s CAPACITOR,ELECT 100MF/16V
C230	1-163-037-11	s CAPACITOR,CHIP CERAMIC 0.022MF	C346	1-163-037-11	s CAPACITOR,CHIP CERAMIC 0.022MF
C231	1-163-037-11	s CAPACITOR,CHIP CERAMIC 0.022MF	C347	1-163-037-11	s CAPACITOR,CHIP CERAMIC 0.022MF
C232	1-104-914-11	s CAPACITOR CHIP TANTAL 22MF/16V	C348	1-163-037-11	s CAPACITOR,CHIP CERAMIC 0.022MF
C239	1-163-037-11	s CAPACITOR,CHIP CERAMIC 0.022MF	C349	1-163-037-11	s CAPACITOR,CHIP CERAMIC 0.022MF
C241	1-163-037-11	s CAPACITOR,CHIP CERAMIC 0.022MF	C350	1-163-251-11	s CAPACITOR CERAMIC 100PF/50V
C242	1-126-933-11	s CAPACITOR,ELECT 100MF/16V	C351	1-163-037-11	s CAPACITOR,CHIP CERAMIC 0.022MF
C243	1-163-037-11	s CAPACITOR,CHIP CERAMIC 0.022MF	C352	1-163-251-11	s CAPACITOR CERAMIC 100PF/50V
C244	1-126-933-11	s CAPACITOR,ELECT 100MF/16V	C353	1-163-037-11	s CAPACITOR,CHIP CERAMIC 0.022MF
C245	1-163-037-11	s CAPACITOR,CHIP CERAMIC 0.022MF	C354	1-126-960-11	s CAPACITOR,ELECT 1MF/50V
C246	1-126-933-11	s CAPACITOR,ELECT 100MF/16V	C355	1-126-960-11	s CAPACITOR,ELECT 1MF/50V
C247	1-126-933-11	s CAPACITOR,ELECT 100MF/16V	C356	1-126-933-11	s CAPACITOR,ELECT 100MF/16V
C248	1-163-037-11	s CAPACITOR,CHIP CERAMIC 0.022MF	C358	1-163-037-11	s CAPACITOR,CHIP CERAMIC 0.022MF
C249	1-163-037-11	s CAPACITOR,CHIP CERAMIC 0.022MF	C360	1-163-037-11	s CAPACITOR,CHIP CERAMIC 0.022MF
C300	1-163-037-11	s CAPACITOR,CHIP CERAMIC 0.022MF	C361	1-163-037-11	s CAPACITOR,CHIP CERAMIC 0.022MF
C301	1-126-964-11	s CAPACITOR, ELECT 10MF/50V	C363	1-163-037-11	s CAPACITOR,CHIP CERAMIC 0.022MF
C302	1-126-933-11	s CAPACITOR,ELECT 100MF/16V	C400	1-163-037-11	s CAPACITOR,CHIP CERAMIC 0.022MF
C303	1-126-933-11	s CAPACITOR,ELECT 100MF/16V	C401	1-164-004-11	s CAPACITOR,CERAMIC 0.1MF/25V
C304	1-163-037-11	s CAPACITOR,CHIP CERAMIC 0.022MF	C402	1-126-933-11	s CAPACITOR,ELECT 100MF/16V
C305	1-163-037-11	s CAPACITOR,CHIP CERAMIC 0.022MF	C403	1-126-964-11	s CAPACITOR, ELECT 10MF/50V
C306	1-126-960-11	s CAPACITOR,ELECT 1MF/50V	C404	1-135-149-21	s CAPACITOR TANTALUM 2.2MF/10V
C307	1-163-251-11	s CAPACITOR CERAMIC 100PF/50V	C405	1-135-146-21	s CAPACITOR TANTALUM 0.68MF/25V
C308	1-163-133-00	s CAPACITOR,CHIP CERAMIC 470PF	C406	1-135-149-21	s CAPACITOR TANTALUM 2.2MF/10V
C309	1-164-004-11	s CAPACITOR,CERAMIC 0.1MF/25V	C407	1-163-037-11	s CAPACITOR,CHIP CERAMIC 0.022MF



(TBC-24 BOARD for DVW-A500P/A510P/CA510P, suffix 16 or higher) (TBC-24 BOARD for DVW-A500P/A510P/CA510P, suffix 16 or higher)

Ref. No. or Q'ty	Part No.	SP	Description	Ref. No. or Q'ty	Part No.	SP	Description
C408	1-135-146-21	s	CAPACITOR TANTALUM 0.68MF/25V	C529	1-126-933-11	s	CAPACITOR,ELECT 100MF/16V
C409	1-135-210-11	s	CAPACITOR TANTAL 4.7MF/10V	C530	1-163-251-11	s	CAPACITOR CERAMIC 100PF/50V
C410	1-135-146-21	s	CAPACITOR TANTALUM 0.68MF/25V	C531	1-163-037-11	s	CAPACITOR,CHIP CERAMIC 0.022MF
C412	1-135-210-11	s	CAPACITOR TANTAL 4.7MF/10V	C532	1-126-933-11	s	CAPACITOR,ELECT 100MF/16V
C413	1-135-146-21	s	CAPACITOR TANTALUM 0.68MF/25V	C533	1-163-037-11	s	CAPACITOR,CHIP CERAMIC 0.022MF
C414	1-163-037-11	s	CAPACITOR,CHIP CERAMIC 0.022MF	C534	1-163-037-11	s	CAPACITOR,CHIP CERAMIC 0.022MF
C415	1-163-037-11	s	CAPACITOR,CHIP CERAMIC 0.022MF	C535	1-163-251-11	s	CAPACITOR CERAMIC 100PF/50V
C416	1-126-933-11	s	CAPACITOR,ELECT 100MF/16V	C536	1-163-037-11	s	CAPACITOR,CHIP CERAMIC 0.022MF
C417	1-163-037-11	s	CAPACITOR,CHIP CERAMIC 0.022MF	C537	1-163-037-11	s	CAPACITOR,CHIP CERAMIC 0.022MF
C418	1-163-037-11	s	CAPACITOR,CHIP CERAMIC 0.022MF	C538	1-126-933-11	s	CAPACITOR,ELECT 100MF/16V
C419	1-163-037-11	s	CAPACITOR,CHIP CERAMIC 0.022MF	C539	1-163-253-11	s	CAPACITOR CERAMIC 120PF/50V
C420	1-163-037-11	s	CAPACITOR,CHIP CERAMIC 0.022MF	C540	1-164-004-11	s	CAPACITOR,CERAMIC 0.1MF/25V
C421	1-163-037-11	s	CAPACITOR,CHIP CERAMIC 0.022MF	C541	1-163-243-11	s	CAPACITOR,CHIP CERAMIC 47PF/50
C422	1-163-037-11	s	CAPACITOR,CHIP CERAMIC 0.022MF	C542	1-163-133-00	s	CAPACITOR,CHIP CERAMIC 470PF
C423	1-164-004-11	s	CAPACITOR,CERAMIC 0.1MF/25V	C543	1-163-021-91	s	CAPACITOR, CERAMIC 0.01MF/50V
C424	1-126-933-11	s	CAPACITOR,ELECT 100MF/16V	C544	1-164-004-11	s	CAPACITOR,CERAMIC 0.1MF/25V
C425	1-163-275-11	s	CAPACITOR CERAMIC 1000PF/50V	C545	1-126-933-11	s	CAPACITOR,ELECT 100MF/16V
C426	1-164-004-11	s	CAPACITOR,CERAMIC 0.1MF/25V	C546	1-163-037-11	s	CAPACITOR,CHIP CERAMIC 0.022MF
C427	1-164-004-11	s	CAPACITOR,CERAMIC 0.1MF/25V	C547	1-163-037-11	s	CAPACITOR,CHIP CERAMIC 0.022MF
C428	1-126-933-11	s	CAPACITOR,ELECT 100MF/16V	C548	1-163-037-11	s	CAPACITOR,CHIP CERAMIC 0.022MF
C429	1-164-004-11	s	CAPACITOR,CERAMIC 0.1MF/25V	C549	1-163-037-11	s	CAPACITOR,CHIP CERAMIC 0.022MF
C431	1-163-037-11	s	CAPACITOR,CHIP CERAMIC 0.022MF	C550	1-163-251-11	s	CAPACITOR CERAMIC 100PF/50V
C432	1-163-037-11	s	CAPACITOR,CHIP CERAMIC 0.022MF	C551	1-163-037-11	s	CAPACITOR,CHIP CERAMIC 0.022MF
C433	1-164-004-11	s	CAPACITOR,CERAMIC 0.1MF/25V	C552	1-163-251-11	s	CAPACITOR CERAMIC 100PF/50V
C434	1-163-037-11	s	CAPACITOR,CHIP CERAMIC 0.022MF	C554	1-126-964-11	s	CAPACITOR, ELECT 10MF/50V
C435	1-163-239-11	s	CAPACITOR,CHIP CERAMIC33PF/50V	C555	1-163-231-11	s	CAPACITOR,CHIP CERAMIC15PF/50V
C438	1-163-239-11	s	CAPACITOR,CHIP CERAMIC33PF/50V	C556	1-163-235-11	s	CAPACITOR,CHIP CERAMIC22PF/50V
C439	1-164-004-11	s	CAPACITOR,CERAMIC 0.1MF/25V	C557	1-163-222-11	s	CAPACITOR. CHIP CERAMIC 5.0PF
C440	1-163-037-11	s	CAPACITOR,CHIP CERAMIC 0.022MF	C558	1-163-229-11	s	CAPACITOR CHIP 12PF/50V(2125)
C441	1-163-037-11	s	CAPACITOR,CHIP CERAMIC 0.022MF	C559	1-163-229-11	s	CAPACITOR CHIP 12PF/50V(2125)
C500	1-163-243-11	s	CAPACITOR CHIP CERAMIC 47PF/50	C560	1-163-243-11	s	CAPACITOR CHIP CERAMIC 47PF/50
C501	1-126-964-11	s	CAPACITOR, ELECT 10MF/50V	C561	1-163-037-11	s	CAPACITOR,CHIP CERAMIC 0.022MF
C502	1-126-933-11	s	CAPACITOR,ELECT 100MF/16V	C562	1-163-037-11	s	CAPACITOR,CHIP CERAMIC 0.022MF
C503	1-126-933-11	s	CAPACITOR,ELECT 100MF/16V	C563	1-163-037-11	s	CAPACITOR,CHIP CERAMIC 0.022MF
C504	1-163-037-11	s	CAPACITOR,CHIP CERAMIC 0.022MF	C564	1-163-251-11	s	CAPACITOR CERAMIC 100PF/50V
C505	1-163-037-11	s	CAPACITOR,CHIP CERAMIC 0.022MF	C567	1-163-037-11	s	CAPACITOR,CHIP CERAMIC 0.022MF
C506	1-163-259-91	s	CAPACITOR,CHIP CERAMIC 220PF	C600	1-163-037-11	s	CAPACITOR,CHIP CERAMIC 0.022MF
C507	1-163-227-11	s	CAPACITOR CERAMIC 10PF/50V(CH)	C601	1-164-004-11	s	CAPACITOR,CERAMIC 0.1MF/25V
C508	1-163-243-11	s	CAPACITOR CHIP CERAMIC 47PF/50	C602	1-126-933-11	s	CAPACITOR,ELECT 100MF/16V
C509	1-164-004-11	s	CAPACITOR,CERAMIC 0.1MF/25V	C603	1-126-964-11	s	CAPACITOR, ELECT 10MF/50V
C510	1-163-021-91	s	CAPACITOR, CERAMIC 0.01MF/50V	C604	1-135-149-21	s	CAPACITOR TANTALUM 2.2MF/10V
C511	1-163-275-11	s	CAPACITOR CERAMIC 1000PF/50V	C605	1-135-146-21	s	CAPACITOR TANTALUM 0.68MF/25V
C512	1-126-960-11	s	CAPACITOR,ELECT 1MF/50V	C606	1-135-149-21	s	CAPACITOR TANTALUM 2.2MF/10V
C513	1-164-004-11	s	CAPACITOR,CERAMIC 0.1MF/25V	C607	1-163-037-11	s	CAPACITOR,CHIP CERAMIC 0.022MF
C514	1-126-960-11	s	CAPACITOR,ELECT 1MF/50V	C608	1-135-146-21	s	CAPACITOR TANTALUM 0.68MF/25V
C515	1-163-037-11	s	CAPACITOR,CHIP CERAMIC 0.022MF	C609	1-135-210-11	s	CAPACITOR TANTAL 4.7MF/10V
C516	1-164-004-11	s	CAPACITOR,CERAMIC 0.1MF/25V	C610	1-164-222-11	s	CAPACITOR,CHIP CERAMIC 0.22MF
C517	1-164-004-11	s	CAPACITOR,CERAMIC 0.1MF/25V	C611	1-164-004-11	s	CAPACITOR,CERAMIC 0.1MF/25V
C518	1-163-037-11	s	CAPACITOR,CHIP CERAMIC 0.022MF	C612	1-135-210-11	s	CAPACITOR TANTAL 4.7MF/10V
C519	1-164-004-11	s	CAPACITOR,CERAMIC 0.1MF/25V	C613	1-163-037-11	s	CAPACITOR,CHIP CERAMIC 0.022MF
C520	1-163-251-11	s	CAPACITOR CERAMIC 100PF/50V	C614	1-163-037-11	s	CAPACITOR,CHIP CERAMIC 0.022MF
C521	1-163-037-11	s	CAPACITOR,CHIP CERAMIC 0.022MF	C615	1-163-037-11	s	CAPACITOR,CHIP CERAMIC 0.022MF
C522	1-163-037-11	s	CAPACITOR,CHIP CERAMIC 0.022MF	C616	1-126-933-11	s	CAPACITOR,ELECT 100MF/16V
C523	1-126-960-11	s	CAPACITOR,ELECT 1MF/50V	C617	1-163-037-11	s	CAPACITOR,CHIP CERAMIC 0.022MF
C524	1-126-933-11	s	CAPACITOR,ELECT 100MF/16V	C618	1-164-004-11	s	CAPACITOR,CERAMIC 0.1MF/25V
C525	1-163-253-11	s	CAPACITOR CERAMIC 120PF/50V	C619	1-163-037-11	s	CAPACITOR,CHIP CERAMIC 0.022MF
C526	1-163-037-11	s	CAPACITOR,CHIP CERAMIC 0.022MF	C620	1-163-037-11	s	CAPACITOR,CHIP CERAMIC 0.022MF
C527	1-163-227-11	s	CAPACITOR CERAMIC 10PF/50V(CH)	C621	1-163-037-11	s	CAPACITOR,CHIP CERAMIC 0.022MF
C528	1-163-263-11	s	CAPACITOR CERAMIC 330PF/50V	C622	1-163-037-11	s	CAPACITOR,CHIP CERAMIC 0.022MF

(TBC-24 BOARD for DVW-A500P/A510P/CA510P, suffix 16 or higher) (TBC-24 BOARD for DVW-A500P/A510P/CA510P, suffix 16 or higher)

Ref. No. or Q'ty	Part No.	SP Description	Ref. No. or Q'ty	Part No.	SP Description
C623	1-164-004-11	s CAPACITOR,CERAMIC 0.1MF/25V	IC22	8-759-710-88	s IC NJM431U
C624	1-126-933-11	s CAPACITOR,ELECT 100MF/16V	IC23	8-759-710-88	s IC NJM431U
C625	1-163-275-11	s CAPACITOR CERAMIC 1000PF/50V	IC24	8-759-710-88	s IC NJM431U
C626	1-164-004-11	s CAPACITOR,CERAMIC 0.1MF/25V	IC25	8-759-710-88	s IC NJM431U
C627	1-164-004-11	s CAPACITOR,CERAMIC 0.1MF/25V	IC100	8-752-376-32	s IC CXD2310AR
C628	1-126-933-11	s CAPACITOR,ELECT 100MF/16V	IC101	8-759-673-42	s IC MM74HC04SJX
C629	1-164-004-11	s CAPACITOR,CERAMIC 0.1MF/25V	IC102	6-700-135-01	s IC TL084CDR
C631	1-163-037-11	s CAPACITOR,CHIP CERAMIC 0.022MF	IC103	8-752-362-70	s IC CXD101-106Q
C632	1-163-037-11	s CAPACITOR,CHIP CERAMIC 0.022MF	IC104	8-759-009-07	s IC MC14053BF
C633	1-164-004-11	s CAPACITOR,CERAMIC 0.1MF/25V	IC105	8-759-702-08	s IC NJM360M
C634	1-163-037-11	s CAPACITOR,CHIP CERAMIC 0.022MF	IC106	8-759-234-77	s IC TC4S66F
C635	1-163-239-11	s CAPACITOR,CHIP CERAMIC33PF/50V	IC107	8-759-673-45	s IC MM74HC08SJX
C636	1-163-239-11	s CAPACITOR,CHIP CERAMIC33PF/50V	IC108	8-759-836-57	s IC TL082CDR
IC200			IC200	8-752-376-32	s IC CXD2310AR
IC201			IC201	6-700-135-01	s IC TL084CDR
CN1	1-506-493-11	s PIN,CONNECTOR 14P	IC202	8-752-362-70	s IC CXD101-106Q
CN102	1-750-795-21	s CONNECTOR, PRINT PC BOARD	IC203	8-759-270-29	s IC SN74HC257ANS (E20)
D11	8-719-941-04	s DIODE SB007-03CP	IC204	8-759-234-77	s IC TC4S66F
D12	8-719-941-04	s DIODE SB007-03CP	IC208	8-759-836-57	s IC TL082CDR
D13	8-719-941-04	s DIODE SB007-03CP	IC300	8-759-058-62	s IC TC7S08FU-TE85R
D100	8-719-941-23	s DIODE DA204U	IC301	8-752-358-08	s IC CXD2221Q
D103	8-719-941-23	s DIODE DA204U	IC302	6-700-135-01	s IC TL084CDR
D104	8-719-941-23	s DIODE DA204U	IC303	8-759-925-05	s IC LM2903PS
D105	8-719-404-35	s DIODE MA141WK	IC304	8-759-673-51	s IC MM74HC32SJX
D200	8-719-941-23	s DIODE DA204U	IC307	8-759-907-81	s IC SN74LS221N(S)
D201	8-719-941-23	s DIODE DA204U	IC308	8-759-941-27	s IC MB4002PF
D202	8-719-941-23	s DIODE DA204U	IC310	8-759-234-20	s IC TC7S08F
D301	8-719-941-23	s DIODE DA204U	IC400	8-759-671-96	s IC MC74HC4066AFEL
D401	8-719-941-23	s DIODE DA204U	IC401	8-759-673-39	s IC MM74HC02SJX
D403	8-719-941-23	s DIODE DA204U	IC402	8-759-836-57	s IC TL082CDR
D404	8-719-041-39	s DIODE KV1470 (5MA)	IC403	8-759-234-77	s IC TC4S66F
D405	8-719-941-23	s DIODE DA204U	IC404	8-759-973-82	s IC TLC549IPS
D406	8-719-041-39	s DIODE KV1470 (5MA)	IC405	8-759-381-47	s IC AD7524JR-RELL
D407	8-719-941-23	s DIODE DA204U	IC406	8-759-991-85	s IC 74F00SJ
D500	8-719-024-81	s DIODE 1SS300-TE85L	IC407	8-759-836-57	s IC TL082CDR
D501	8-719-941-23	s DIODE DA204U	IC409	6-700-135-01	s IC TL084CDR
D601	8-719-941-23	s DIODE DA204U	IC411	8-759-836-57	s IC TL082CDR
D604	8-719-041-39	s DIODE KV1470 (5MA)	IC412	8-759-035-93	s IC SC7532F
D605	8-719-941-23	s DIODE DA204U	IC501	8-752-358-08	s IC CXD2221Q
D606	8-719-041-39	s DIODE KV1470 (5MA)	IC502	6-700-135-01	s IC TL084CDR
E100	*a 1-535-881-21	o TERMINAL, TP (AUTO INSERTION)	IC507	8-759-907-81	s IC SN74LS221N(S)
E200	1-535-881-21	o TERMINAL, TP (AUTO INSERTION)	IC508	8-759-941-27	s IC MB4002PF
E301	1-535-881-21	o TERMINAL, TP (AUTO INSERTION)	IC509	8-759-234-77	s IC TC4S66F
E302	1-535-881-21	o TERMINAL, TP (AUTO INSERTION)	IC511	8-759-234-20	s IC TC7S08F
E501	1-535-881-21	o TERMINAL, TP (AUTO INSERTION)	IC600	8-759-671-96	s IC MC74HC4066AFEL
E502	1-535-881-21	o TERMINAL, TP (AUTO INSERTION)	IC601	8-759-673-39	s IC MM74HC02SJX
FL101	1-234-009-11	s FILTER, LOW PASS	IC602	8-759-836-57	s IC TL082CDR
FL201	1-234-003-11	s FILTER, LOW PASS	IC603	8-759-234-77	s IC TC4S66F
IC10	8-759-170-73	s IC TA78L12S	IC604	8-759-973-82	s IC TLC549IPS
IC11	8-759-168-20	s IC TA78L09S	IC605	8-759-381-47	s IC AD7524JR-RELL
IC12	8-759-168-20	s IC TA78L09S	IC606	8-759-991-85	s IC 74F00SJ
IC13	8-759-700-65	s IC NJM79L05A	IC607	8-759-836-57	s IC TL082CDR
IC14	8-759-700-65	s IC NJM79L05A	IC608	8-759-008-37	s IC MC74HC4050F
IC15	8-759-052-52	s IC L78M05T-FA	IC609	6-700-135-01	s IC TL084CDR
IC16	8-759-052-52	s IC L78M05T-FA	IC610	8-759-926-24	s IC SN74HC164ANS
IC17	8-759-052-52	s IC L78M05T-FA	L11	1-412-533-21	s MICRO INDUCTOR
IC20	8-759-710-88	s IC NJM431U	L12	1-412-533-21	s MICRO INDUCTOR
IC21	8-759-710-88	s IC NJM431U	L13	1-412-533-21	s MICRO INDUCTOR
			L100	1-408-974-21	s MICRO INDUCTOR 22UH

(TBC-24 BOARD for DVW-A500P/A510P/CA510P, suffix 16 or higher) (TBC-24 BOARD for DVW-A500P/A510P/CA510P, suffix 16 or higher)

Ref. No. or Q'ty	Part No.	SP	Description	Ref. No. or Q'ty	Part No.	SP	Description
L102	1-408-984-21	s	MICRO INDUCTOR 150UH	Q405	8-729-140-63	s	TRANSISTOR 2SA1611-M5M6
L103	1-408-974-21	s	MICRO INDUCTOR 22UH	Q406	8-729-117-32	s	TRANSISTOR 2SC4177
L104	1-408-974-21	s	MICRO INDUCTOR 22UH	Q407	8-729-117-32	s	TRANSISTOR 2SC4177
L105	1-408-613-31	s	MICRO INDUCTOR 68UH	Q408	8-729-117-32	s	TRANSISTOR 2SC4177
L200	1-408-974-21	s	MICRO INDUCTOR 22UH	Q500	8-729-907-26	s	TRANSISTOR IMX1
L201	1-408-984-21	s	MICRO INDUCTOR 150UH	Q501	8-729-117-32	s	TRANSISTOR 2SC4177
L202	1-408-974-21	s	MICRO INDUCTOR 22UH	Q502	8-729-140-63	s	TRANSISTOR 2SA1611-M5M6
L203	1-408-974-21	s	MICRO INDUCTOR 22UH	Q503	8-729-140-63	s	TRANSISTOR 2SA1611-M5M6
L301	1-408-978-21	s	MICRO INDUCTOR 47UH	Q504	8-729-140-63	s	TRANSISTOR 2SA1611-M5M6
L302	1-408-978-21	s	MICRO INDUCTOR 47UH	Q506	8-729-140-47	s	TRANSISTOR 2SC3735-L-B35
L303	1-408-613-31	s	MICRO INDUCTOR 68UH	Q507	8-729-140-63	s	TRANSISTOR 2SA1611-M5M6
L304	1-408-621-31	s	MICRO INDUCTOR 330UH	Q603	8-729-117-32	s	TRANSISTOR 2SC4177
L305	1-410-492-11	s	MICRO INDUCTOR 680UH	Q604	8-729-117-32	s	TRANSISTOR 2SC4177
L401	1-408-978-21	s	MICRO INDUCTOR 47UH	Q605	8-729-140-63	s	TRANSISTOR 2SA1611-M5M6
L402	1-408-978-21	s	MICRO INDUCTOR 47UH	Q606	8-729-117-32	s	TRANSISTOR 2SC4177
L403	1-408-970-21	s	MICRO INDUCTOR 10UH	Q607	8-729-117-32	s	TRANSISTOR 2SC4177
L501	1-408-978-21	s	MICRO INDUCTOR 47UH	Q608	8-729-117-32	s	TRANSISTOR 2SC4177
L502	1-408-978-21	s	MICRO INDUCTOR 47UH	R11	1-216-041-00	s	RESISTOR, CHIP 470 1/10W(2012)
L503	1-408-610-31	s	MICRO INDUCTOR 39UH	R12	1-216-041-00	s	RESISTOR, CHIP 470 1/10W(2012)
L504	1-410-482-31	s	MICRO INDUCTOR 100UH	R14	1-216-041-00	s	RESISTOR, CHIP 470 1/10W(2012)
L505	1-408-619-31	s	MICRO INDUCTOR 220UH	R15	1-216-677-11	s	RESISTOR,CHIP 12K 1/10W(2012)
L506	1-408-605-31	s	MICRO INDUCTOR 15UH	R16	1-216-683-11	s	RESISTOR CHIP 22K 1/10W (2012)
L507	1-410-476-11	s	MICRO INDUCTOR 33UH	R17	1-216-041-00	s	RESISTOR, CHIP 470 1/10W(2012)
L601	1-408-978-21	s	MICRO INDUCTOR 47UH	R18	1-216-025-91	s	RESISTOR,CHIP 100 1/10W(2125)
L602	1-408-978-21	s	MICRO INDUCTOR 47UH	R19	1-216-025-91	s	RESISTOR,CHIP 100 1/10W(2125)
L603	1-408-970-21	s	MICRO INDUCTOR 10UH	R20	1-216-049-91	s	RESISTOR,CHIP 1K 1/10W(2125)
LV401	1-406-744-11	s	COIL, VARIABLE	R21	1-216-049-91	s	RESISTOR,CHIP 1K 1/10W(2125)
LV601	1-406-744-11	s	COIL, VARIABLE	R22	1-216-691-11	s	RESISTOR CHIP 47K 1/10W(2012)
Q100	8-729-117-72	s	TRANSISTOR 2SC4178	R23	1-216-681-11	s	RESISTOR CHIP 18K 1/10W (2012)
Q101	8-729-140-63	s	TRANSISTOR 2SA1611-M5M6	R24	1-216-049-91	s	RESISTOR,CHIP 1K 1/10W(2125)
Q102	8-729-117-32	s	TRANSISTOR 2SC4177	R25	1-216-049-91	s	RESISTOR,CHIP 1K 1/10W(2125)
Q103	8-729-026-56	s	TRANSISTOR FMS2A-T148	R26	1-216-691-11	s	RESISTOR CHIP 47K 1/10W(2012)
Q104	8-729-907-26	s	TRANSISTOR IMX1	R27	1-216-681-11	s	RESISTOR CHIP 18K 1/10W (2012)
Q105	8-729-907-26	s	TRANSISTOR IMX1	R28	1-216-025-91	s	RESISTOR,CHIP 100 1/10W(2125)
Q106	8-729-029-14	s	TRANSISTOR DTC144EUA-T106	R29	1-216-025-91	s	RESISTOR,CHIP 100 1/10W(2125)
Q107	8-729-117-32	s	TRANSISTOR 2SC4177	R30	1-216-677-11	s	RESISTOR,CHIP 12K 1/10W(2012)
Q108	8-729-140-63	s	TRANSISTOR 2SA1611-M5M6	R31	1-216-683-11	s	RESISTOR CHIP 22K 1/10W (2012)
Q109	8-729-117-72	s	TRANSISTOR 2SC4178	R100	1-216-638-11	s	RESISTOR,CHIP 300 1/10W (2012)
Q110	8-729-140-63	s	TRANSISTOR 2SA1611-M5M6	R101	1-216-025-91	s	RESISTOR,CHIP 100 1/10W(2125)
Q112	8-729-140-63	s	TRANSISTOR 2SA1611-M5M6	R102	1-216-017-91	s	RESISTOR, CHIP 47 1/10W(2012)
Q200	8-729-117-72	s	TRANSISTOR 2SC4178	R103	1-216-073-00	s	RESISTOR,CHIP 10K 1/10W(2012)
Q201	8-729-140-63	s	TRANSISTOR 2SA1611-M5M6	R104	1-216-017-91	s	RESISTOR, CHIP 47 1/10W(2012)
Q202	8-729-117-32	s	TRANSISTOR 2SC4177	R105	1-216-049-91	s	RESISTOR,CHIP 1K 1/10W(2125)
Q203	8-729-026-56	s	TRANSISTOR FMS2A-T148	R106	1-216-097-91	s	RESISTOR,CHIP 100K 1/10W(2012)
Q204	8-729-907-26	s	TRANSISTOR IMX1	R107	1-216-639-11	s	RESISTOR,CHIP 330 1/10W (2012)
Q205	8-729-907-26	s	TRANSISTOR IMX1	R108	1-216-639-11	s	RESISTOR,CHIP 330 1/10W (2012)
Q207	8-729-117-32	s	TRANSISTOR 2SC4177	R109	1-216-049-91	s	RESISTOR,CHIP 1K 1/10W(2125)
Q208	8-729-140-63	s	TRANSISTOR 2SA1611-M5M6	R110	1-216-065-91	s	RESISTOR,CHIP 4.7K (2012)
Q209	8-729-117-72	s	TRANSISTOR 2SC4178	R111	1-216-659-11	s	RESISTOR,CHIP 2.2K 1/10W(2012)
Q212	8-729-140-63	s	TRANSISTOR 2SA1611-M5M6	R112	1-216-641-11	s	RESISTOR,CHIP 390 1/10W(2012)
Q300	8-729-907-26	s	TRANSISTOR IMX1	R113	1-216-097-91	s	RESISTOR,CHIP 100K 1/10W(2012)
Q301	8-729-140-63	s	TRANSISTOR 2SA1611-M5M6	R114	1-216-121-91	s	RESISTOR CHIP 1M 1/10W(2125)
Q302	8-729-140-63	s	TRANSISTOR 2SA1611-M5M6	R115	1-216-057-00	s	RESISTOR CHIP 2.2K 1/10W(2012)
Q304	8-729-140-63	s	TRANSISTOR 2SA1611-M5M6	R116	1-216-065-91	s	RESISTOR,CHIP 4.7K (2012)
Q305	8-729-117-32	s	TRANSISTOR 2SC4177	R117	1-216-057-00	s	RESISTOR CHIP 2.2K 1/10W(2012)
Q306	8-729-140-47	s	TRANSISTOR 2SC3735-L-B35	R118	1-216-061-00	s	RESISTOR CHIP 3.3K 1/10W(2012)
Q307	8-729-140-63	s	TRANSISTOR 2SA1611-M5M6	R119	1-216-025-91	s	RESISTOR,CHIP 100 1/10W(2125)
Q403	8-729-117-32	s	TRANSISTOR 2SC4177	R120	1-216-681-11	s	RESISTOR CHIP 18K 1/10W (2012)

(TBC-24 BOARD for DVW-A500P/A510P/CA510P, suffix 16 or higher) (TBC-24 BOARD for DVW-A500P/A510P/CA510P, suffix 16 or higher)

Ref. No. or Q'ty	Part No.	SP Description	Ref. No. or Q'ty	Part No.	SP Description
R121	1-216-684-91	s RESISTOR METAL FILM CHIP 24K	R206	1-216-639-11	s RESISTOR,CHIP 330 1/10W (2012)
R122	1-216-105-91	s RESISTOR,CHIP 220K 1/10W(2125)	R207	1-216-639-11	s RESISTOR,CHIP 330 1/10W (2012)
R123	1-216-059-00	s RESISTOR,CHIP 2.7K 1/10W(2012)	R208	1-216-049-91	s RESISTOR,CHIP 1K 1/10W(2125)
R124	1-216-677-11	s RESISTOR,CHIP 12K 1/10W(2012)	R209	1-216-017-91	s RESISTOR, CHIP 47 1/10W(2012)
R125	1-216-673-11	s RESISTOR,CHIP 8.2K 1/10W(2012)	R210	1-216-659-11	s RESISTOR,CHIP 2.2K 1/10W(2012)
R126	1-216-057-00	s RESISTOR CHIP 2.2K 1/10W(2012)	R211	1-216-649-11	s RESISTOR,CHIP 820 1/10W (2012)
R127	1-216-017-91	s RESISTOR, CHIP 47 1/10W(2012)	R212	1-216-097-91	s RESISTOR,CHIP 100K 1/10W(2012)
R128	1-216-025-91	s RESISTOR,CHIP 100 1/10W(2125)	R213	1-216-121-91	s RESISTOR CHIP 1M 1/10W(2125)
R129	1-216-017-91	s RESISTOR, CHIP 47 1/10W(2012)	R214	1-216-057-00	s RESISTOR CHIP 2.2K 1/10W(2012)
R130	1-216-025-91	s RESISTOR,CHIP 100 1/10W(2125)	R215	1-216-065-91	s RESISTOR,CHIP 4.7K (2012)
R131	1-216-025-91	s RESISTOR,CHIP 100 1/10W(2125)	R216	1-216-057-00	s RESISTOR CHIP 2.2K 1/10W(2012)
R132	1-216-055-00	s RESISTOR CHIP 1.8K 1/10W(2012)	R217	1-216-061-00	s RESISTOR CHIP 3.3K 1/10W(2012)
R133	1-216-017-91	s RESISTOR, CHIP 47 1/10W(2012)	R218	1-216-065-91	s RESISTOR,CHIP 4.7K (2012)
R134	1-216-639-11	s RESISTOR,CHIP 330 1/10W (2012)	R219	1-216-682-11	s RESISTOR,CHIP 20K 1/10W (2012)
R135	1-216-659-11	s RESISTOR,CHIP 2.2K 1/10W(2012)	R220	1-216-681-11	s RESISTOR CHIP 18K 1/10W (2012)
R136	1-216-049-91	s RESISTOR,CHIP 1K 1/10W(2125)	R221	1-216-105-91	s RESISTOR,CHIP 220K 1/10W(2125)
R137	1-216-017-91	s RESISTOR, CHIP 47 1/10W(2012)	R224	1-216-673-11	s RESISTOR,CHIP 8.2K 1/10W(2012)
R138	1-216-017-91	s RESISTOR, CHIP 47 1/10W(2012)	R225	1-216-057-00	s RESISTOR CHIP 2.2K 1/10W(2012)
R139	1-216-017-91	s RESISTOR, CHIP 47 1/10W(2012)	R226	1-216-017-91	s RESISTOR, CHIP 47 1/10W(2012)
R140	1-216-017-91	s RESISTOR, CHIP 47 1/10W(2012)	R227	1-216-025-91	s RESISTOR,CHIP 100 1/10W(2125)
R141	1-216-017-91	s RESISTOR, CHIP 47 1/10W(2012)	R228	1-216-025-91	s RESISTOR,CHIP 100 1/10W(2125)
R142	1-216-017-91	s RESISTOR, CHIP 47 1/10W(2012)	R229	1-216-017-91	s RESISTOR, CHIP 47 1/10W(2012)
R143	1-216-017-91	s RESISTOR, CHIP 47 1/10W(2012)	R230	1-216-025-91	s RESISTOR,CHIP 100 1/10W(2125)
R144	1-216-017-91	s RESISTOR, CHIP 47 1/10W(2012)	R231	1-216-025-91	s RESISTOR,CHIP 100 1/10W(2125)
R145	1-216-049-91	s RESISTOR,CHIP 1K 1/10W(2125)	R232	1-216-055-00	s RESISTOR CHIP 1.8K 1/10W(2012)
R146	1-216-049-91	s RESISTOR,CHIP 1K 1/10W(2125)	R233	1-216-055-00	s RESISTOR CHIP 1.8K 1/10W(2012)
R147	1-216-017-91	s RESISTOR, CHIP 47 1/10W(2012)	R234	1-216-639-11	s RESISTOR,CHIP 330 1/10W (2012)
R148	1-216-049-91	s RESISTOR,CHIP 1K 1/10W(2125)	R235	1-216-659-11	s RESISTOR,CHIP 2.2K 1/10W(2012)
R149	1-216-049-91	s RESISTOR,CHIP 1K 1/10W(2125)	R236	1-216-667-11	s RESISTOR,CHIP 4.7K 1/10W(2012)
R150	1-216-093-00	s RESISTOR, CHIP 68K 1/10W(2012)	R237	1-216-017-91	s RESISTOR, CHIP 47 1/10W(2012)
R151	1-216-017-91	s RESISTOR, CHIP 47 1/10W(2012)	R238	1-216-017-91	s RESISTOR, CHIP 47 1/10W(2012)
R152	1-216-017-91	s RESISTOR, CHIP 47 1/10W(2012)	R239	1-216-017-91	s RESISTOR, CHIP 47 1/10W(2012)
R153	1-216-049-91	s RESISTOR,CHIP 1K 1/10W(2125)	R240	1-216-017-91	s RESISTOR, CHIP 47 1/10W(2012)
R154	1-216-049-91	s RESISTOR,CHIP 1K 1/10W(2125)	R241	1-216-017-91	s RESISTOR, CHIP 47 1/10W(2012)
R155	1-216-049-91	s RESISTOR,CHIP 1K 1/10W(2125)	R242	1-216-017-91	s RESISTOR, CHIP 47 1/10W(2012)
R156	1-216-683-11	s RESISTOR CHIP 22K 1/10W (2012)	R243	1-216-017-91	s RESISTOR, CHIP 47 1/10W(2012)
R157	1-216-683-11	s RESISTOR CHIP 22K 1/10W (2012)	R244	1-216-017-91	s RESISTOR, CHIP 47 1/10W(2012)
R159	1-216-683-11	s RESISTOR CHIP 22K 1/10W (2012)	R245	1-216-049-91	s RESISTOR,CHIP 1K 1/10W(2125)
R161	1-216-049-91	s RESISTOR,CHIP 1K 1/10W(2125)	R246	1-216-049-91	s RESISTOR,CHIP 1K 1/10W(2125)
R162	1-216-089-91	s RESISTOR, CHIP 47K	R247	1-216-017-91	s RESISTOR, CHIP 47 1/10W(2012)
R163	1-216-057-00	s RESISTOR CHIP 2.2K 1/10W(2012)	R252	1-216-049-91	s RESISTOR,CHIP 1K 1/10W(2125)
R164	1-216-097-91	s RESISTOR,CHIP 100K 1/10W(2012)	R253	1-216-649-11	s RESISTOR,CHIP 820 1/10W (2012)
R165	1-216-049-91	s RESISTOR,CHIP 1K 1/10W(2125)	R255	1-216-097-91	s RESISTOR,CHIP 100K 1/10W(2012)
R166	1-216-683-11	s RESISTOR CHIP 22K 1/10W (2012)	R256	1-216-089-91	s RESISTOR, CHIP 47K
R167	1-216-683-11	s RESISTOR CHIP 22K 1/10W (2012)	R257	1-216-017-91	s RESISTOR, CHIP 47 1/10W(2012)
R169	1-216-017-91	s RESISTOR, CHIP 47 1/10W(2012)	R260	1-216-017-91	s RESISTOR, CHIP 47 1/10W(2012)
R170	1-216-017-91	s RESISTOR, CHIP 47 1/10W(2012)	R261	1-216-017-91	s RESISTOR, CHIP 47 1/10W(2012)
R171	1-216-017-91	s RESISTOR, CHIP 47 1/10W(2012)	R264	1-216-057-00	s RESISTOR CHIP 2.2K 1/10W(2012)
R172	1-216-057-00	s RESISTOR CHIP 2.2K 1/10W(2012)	R265	1-216-049-91	s RESISTOR,CHIP 1K 1/10W(2125)
R173	1-216-089-91	s RESISTOR, CHIP 47K	R266	1-216-683-11	s RESISTOR CHIP 22K 1/10W (2012)
R174	1-216-017-91	s RESISTOR, CHIP 47 1/10W(2012)	R267	1-216-683-11	s RESISTOR CHIP 22K 1/10W (2012)
R175	1-216-065-91	s RESISTOR,CHIP 4.7K (2012)	R269	1-216-017-91	s RESISTOR, CHIP 47 1/10W(2012)
R176	1-216-295-91	s RESISTOR, CHIP 0 (1/10W)	R270	1-216-017-91	s RESISTOR, CHIP 47 1/10W(2012)
R200	1-216-638-11	s RESISTOR,CHIP 300 1/10W (2012)	R271	1-216-017-91	s RESISTOR, CHIP 47 1/10W(2012)
R201	1-216-025-91	s RESISTOR,CHIP 100 1/10W(2125)	R272	1-216-057-00	s RESISTOR CHIP 2.2K 1/10W(2012)
R202	1-216-049-91	s RESISTOR,CHIP 1K 1/10W(2125)	R274	1-216-017-91	s RESISTOR, CHIP 47 1/10W(2012)
R203	1-216-017-91	s RESISTOR, CHIP 47 1/10W(2012)	R275	1-216-065-91	s RESISTOR,CHIP 4.7K (2012)
R204	1-216-049-91	s RESISTOR,CHIP 1K 1/10W(2125)	R300	1-216-049-91	s RESISTOR,CHIP 1K 1/10W(2125)
R205	1-216-097-91	s RESISTOR,CHIP 100K 1/10W(2012)	R301	1-216-049-91	s RESISTOR,CHIP 1K 1/10W(2125)

(TBC-24 BOARD for DVW-A500P/A510P/CA510P, suffix 16 or higher) (TBC-24 BOARD for DVW-A500P/A510P/CA510P, suffix 16 or higher)

Ref. No. or Q'ty	Part No.	SP	Description	Ref. No. or Q'ty	Part No.	SP	Description
R302	1-216-017-91	s	RESISTOR, CHIP 47 1/10W(2012)	R367	1-216-041-00	s	RESISTOR, CHIP 470 1/10W(2012)
R303	1-216-097-91	s	RESISTOR,CHIP 100K 1/10W(2012)	R368	1-216-057-00	s	RESISTOR CHIP 2.2K 1/10W(2012)
R304	1-216-057-00	s	RESISTOR CHIP 2.2K 1/10W(2012)	R369	1-216-085-00	s	RESISTOR CHIP 33K 1/10W(2012)
R305	1-216-055-00	s	RESISTOR CHIP 1.8K 1/10W(2012)	R370	1-216-659-11	s	RESISTOR,CHIP 2.2K 1/10W(2012)
R306	1-216-061-00	s	RESISTOR CHIP 3.3K 1/10W(2012)	R371	1-216-025-91	s	RESISTOR,CHIP 100 1/10W(2125)
R309	1-216-073-00	s	RESISTOR,CHIP 10K 1/10W(2012)	R372	1-216-033-00	s	RESISTOR,CHIP 220 1/10W(2012)
R310	1-216-073-00	s	RESISTOR,CHIP 10K 1/10W(2012)	R373	1-216-061-00	s	RESISTOR CHIP 3.3K 1/10W(2012)
R311	1-216-073-00	s	RESISTOR,CHIP 10K 1/10W(2012)	R374	1-216-073-00	s	RESISTOR,CHIP 10K 1/10W(2012)
R313	1-216-025-91	s	RESISTOR,CHIP 100 1/10W(2125)	R375	1-216-659-11	s	RESISTOR,CHIP 2.2K 1/10W(2012)
R315	1-216-097-91	s	RESISTOR,CHIP 100K 1/10W(2012)	R376	1-216-089-91	s	RESISTOR, CHIP 47K
R316	1-216-071-00	s	RESISTOR,CHIP 8.2K 1/10W(2012)	R377	1-216-667-11	s	RESISTOR,CHIP 4.7K 1/10W(2012)
R317	1-216-057-00	s	RESISTOR CHIP 2.2K 1/10W(2012)	R378	1-216-659-11	s	RESISTOR,CHIP 2.2K 1/10W(2012)
R318	1-216-041-00	s	RESISTOR, CHIP 470 1/10W(2012)	R379	1-216-025-91	s	RESISTOR,CHIP 100 1/10W(2125)
R319	1-216-675-11	s	RESISTOR CHIP 10K 1/10W(2012)	R380	1-216-033-00	s	RESISTOR,CHIP 220 1/10W(2012)
R320	1-216-041-00	s	RESISTOR, CHIP 470 1/10W(2012)	R382	1-216-681-11	s	RESISTOR CHIP 18K 1/10W (2012)
R322	1-216-133-00	s	RESISTOR,CHIP 3.3M 1/10W(2012)	R385	1-216-041-00	s	RESISTOR, CHIP 470 1/10W(2012)
R324	1-216-033-00	s	RESISTOR,CHIP 220 1/10W(2012)	R389	1-216-017-91	s	RESISTOR, CHIP 47 1/10W(2012)
R325	1-216-661-11	s	RESISTOR,CHIP 2.7K 1/10W(2012)	R390	1-216-295-91	s	RESISTOR, CHIP 0 (1/10W)
R326	1-216-645-11	s	RESISTOR,CHIP 560 1/10W(2012)	R391	1-216-057-00	s	RESISTOR CHIP 2.2K 1/10W(2012)
R327	1-216-667-11	s	RESISTOR,CHIP 4.7K 1/10W(2012)	R393	1-216-073-00	s	RESISTOR,CHIP 10K 1/10W(2012)
R328	1-216-033-00	s	RESISTOR,CHIP 220 1/10W(2012)	R400	1-216-017-91	s	RESISTOR, CHIP 47 1/10W(2012)
R329	1-216-133-00	s	RESISTOR,CHIP 3.3M 1/10W(2012)	R401	1-216-089-91	s	RESISTOR, CHIP 47K
R330	1-216-033-00	s	RESISTOR,CHIP 220 1/10W(2012)	R402	1-216-049-91	s	RESISTOR,CHIP 1K 1/10W(2125)
R331	1-216-667-11	s	RESISTOR,CHIP 4.7K 1/10W(2012)	R403	1-216-049-91	s	RESISTOR,CHIP 1K 1/10W(2125)
R332	1-216-660-11	s	RESISTOR,CHIP 2.4K 1/10W(2012)	R404	1-216-057-00	s	RESISTOR CHIP 2.2K 1/10W(2012)
R333	1-216-623-11	s	RESISTOR,CHIP 68 1/10W(2012)	R405	1-216-057-00	s	RESISTOR CHIP 2.2K 1/10W(2012)
R334	1-216-651-11	s	RESISTOR,CHIP 1K 1/10W(2012)	R406	1-216-073-00	s	RESISTOR,CHIP 10K 1/10W(2012)
R335	1-216-675-11	s	RESISTOR CHIP 10K 1/10W(2012)	R407	1-216-081-00	s	RESISTOR,CHIP 22K 1/10W(2012)
R336	1-216-683-11	s	RESISTOR CHIP 22K 1/10W (2012)	R408	1-216-061-00	s	RESISTOR CHIP 3.3K 1/10W(2012)
R337	1-216-673-11	s	RESISTOR,CHIP 8.2K 1/10W(2012)	R409	1-216-061-00	s	RESISTOR CHIP 3.3K 1/10W(2012)
R338	1-216-675-11	s	RESISTOR CHIP 10K 1/10W(2012)	R410	1-216-025-91	s	RESISTOR,CHIP 100 1/10W(2125)
R339	1-216-685-11	s	RESISTOR,CHIP 27K 1/10W(2012)	R411	1-216-683-11	s	RESISTOR CHIP 22K 1/10W (2012)
R340	1-216-681-11	s	RESISTOR CHIP 18K 1/10W (2012)	R412	1-216-073-00	s	RESISTOR,CHIP 10K 1/10W(2012)
R341	1-216-676-11	s	RESISTOR,CHIP 11K 1/10W(2012)	R413	1-216-109-00	s	RESISTOR CHIP 330K 1/10W(2012)
R342	1-216-659-11	s	RESISTOR,CHIP 2.2K 1/10W(2012)	R414	1-216-057-00	s	RESISTOR CHIP 2.2K 1/10W(2012)
R343	1-216-653-11	s	RESISTOR CHIP 1.2K 1/10W(2012)	R415	1-216-081-00	s	RESISTOR,CHIP 22K 1/10W(2012)
R344	1-216-121-91	s	RESISTOR CHIP 1M 1/10W(2125)	R417	1-216-073-00	s	RESISTOR,CHIP 10K 1/10W(2012)
R345	1-216-025-91	s	RESISTOR,CHIP 100 1/10W(2125)	R419	1-216-093-00	s	RESISTOR, CHIP 68K 1/10W(2012)
R346	1-216-679-11	s	RESISTOR CHIP 15K 1/10W (2012)	R420	1-216-025-91	s	RESISTOR,CHIP 100 1/10W(2125)
R347	1-216-687-11	s	RESISTOR CHIP 33K 1/10W (2012)	R422	1-216-025-91	s	RESISTOR,CHIP 100 1/10W(2125)
R348	1-216-033-00	s	RESISTOR,CHIP 220 1/10W(2012)	R423	1-216-049-91	s	RESISTOR,CHIP 1K 1/10W(2125)
R349	1-216-675-11	s	RESISTOR CHIP 10K 1/10W(2012)	R424	1-216-681-11	s	RESISTOR CHIP 18K 1/10W (2012)
R350	1-216-683-11	s	RESISTOR CHIP 1.2K 1/10W(2012)	R425	1-216-049-91	s	RESISTOR,CHIP 1K 1/10W(2125)
R351	1-216-057-00	s	RESISTOR CHIP 2.2K 1/10W(2012)	R426	1-216-667-11	s	RESISTOR,CHIP 4.7K 1/10W(2012)
R352	1-216-033-00	s	RESISTOR,CHIP 220 1/10W(2012)	R427	1-216-037-00	s	RESISTOR,CHIP 330 1/10W(2012)
R353	1-216-025-91	s	RESISTOR,CHIP 100 1/10W(2125)	R428	1-216-658-11	s	RESISTOR,CHIP 2.0K 1/10W(2012)
R354	1-216-057-00	s	RESISTOR CHIP 2.2K 1/10W(2012)	R429	1-216-651-11	s	RESISTOR,CHIP 1K 1/10W(2012)
R355	1-216-033-00	s	RESISTOR,CHIP 220 1/10W(2012)	R430	1-216-658-11	s	RESISTOR,CHIP 2.0K 1/10W(2012)
R356	1-216-639-11	s	RESISTOR,CHIP 330 1/10W (2012)	R431	1-216-667-11	s	RESISTOR,CHIP 4.7K 1/10W(2012)
R357	*b 1-216-661-11	s	RESISTOR,CHIP 2.7K 1/10W(2012)	R432	1-216-065-91	s	RESISTOR,CHIP 4.7K (2012)
	*a 1-216-655-11	s	RESISTOR,CHIP 1.5K 1/10W(2012)	R434	1-216-017-91	s	RESISTOR, CHIP 47 1/10W(2012)
R358	1-216-057-00	s	RESISTOR CHIP 2.2K 1/10W(2012)	R435	1-216-033-00	s	RESISTOR,CHIP 220 1/10W(2012)
R359	1-216-663-11	s	RESISTOR,CHIP 3.3K 1/10W(2012)	R436	1-216-033-00	s	RESISTOR,CHIP 220 1/10W(2012)
R360	1-216-073-00	s	RESISTOR,CHIP 10K 1/10W(2012)	R437	1-216-097-91	s	RESISTOR,CHIP 100K 1/10W(2012)
R361	1-216-073-00	s	RESISTOR,CHIP 10K 1/10W(2012)	R438	1-216-017-91	s	RESISTOR, CHIP 47 1/10W(2012)
R362	1-216-033-00	s	RESISTOR,CHIP 220 1/10W(2012)	R439	1-216-065-91	s	RESISTOR,CHIP 4.7K (2012)
R363	1-216-085-00	s	RESISTOR CHIP 33K 1/10W(2012)	R440	1-216-049-91	s	RESISTOR,CHIP 1K 1/10W(2125)
R364	1-216-662-11	s	RESISTOR,CHIP 3K 1/10W (2012)	R441	1-216-073-00	s	RESISTOR,CHIP 10K 1/10W(2012)
R365	1-216-677-11	s	RESISTOR,CHIP 12K 1/10W(2012)	R442	1-216-097-91	s	RESISTOR,CHIP 100K 1/10W(2012)
R366	1-216-049-91	s	RESISTOR,CHIP 1K 1/10W(2125)				

(TBC-24 BOARD for DVW-A500P/A510P/CA510P, suffix 16 or higher) (TBC-24 BOARD for DVW-A500P/A510P/CA510P, suffix 16 or higher)

Ref. No. or Q'ty	Part No.	SP Description	Ref. No. or Q'ty	Part No.	SP Description
R444	1-216-049-91	s RESISTOR,CHIP 1K 1/10W(2125)	R543	1-216-655-11	s RESISTOR,CHIP 1.5K 1/10W(2012)
R445	1-216-017-91	s RESISTOR, CHIP 47 1/10W(2012)	R544	1-216-121-91	s RESISTOR CHIP 1M 1/10W(2125)
R446	1-216-017-91	s RESISTOR, CHIP 47 1/10W(2012)	R545	1-216-041-00	s RESISTOR, CHIP 470 1/10W(2012)
R447	1-216-017-91	s RESISTOR, CHIP 47 1/10W(2012)	R546	1-216-661-11	s RESISTOR,CHIP 2.7K 1/10W(2012)
R448	1-216-017-91	s RESISTOR, CHIP 47 1/10W(2012)	R547	1-216-687-11	s RESISTOR CHIP 33K 1/10W (2012)
R449	1-216-073-00	s RESISTOR,CHIP 10K 1/10W(2012)	R548	1-216-033-00	s RESISTOR,CHIP 220 1/10W(2012)
R450	1-216-671-11	s RESISTOR,CHIP 6.8K 1/10W(2012)	R549	1-216-675-11	s RESISTOR CHIP 10K 1/10W(2012)
R452	1-216-073-00	s RESISTOR,CHIP 10K 1/10W(2012)	R550	1-216-651-11	s RESISTOR,CHIP 1K 1/10W(2012)
R453	1-216-073-00	s RESISTOR,CHIP 10K 1/10W(2012)	R551	1-216-057-00	s RESISTOR CHIP 2.2K 1/10W(2012)
R454	1-216-065-91	s RESISTOR,CHIP 4.7K (2012)	R552	1-216-033-00	s RESISTOR,CHIP 220 1/10W(2012)
R455	1-216-073-00	s RESISTOR,CHIP 10K 1/10W(2012)	R553	1-216-025-91	s RESISTOR,CHIP 100 1/10W(2125)
R456	1-216-295-91	s RESISTOR, CHIP 0 (1/10W)	R554	1-216-057-00	s RESISTOR CHIP 2.2K 1/10W(2012)
R457	1-216-295-91	s RESISTOR, CHIP 0 (1/10W)	R555	1-216-033-00	s RESISTOR,CHIP 220 1/10W(2012)
R458	1-216-081-00	s RESISTOR,CHIP 22K 1/10W(2012)	R556	1-216-639-11	s RESISTOR,CHIP 330 1/10W (2012)
R460	1-216-295-91	s RESISTOR, CHIP 0 (1/10W)	R557	1-216-661-11	s RESISTOR,CHIP 2.7K 1/10W(2012)
R463	1-216-295-91	s RESISTOR, CHIP 0 (1/10W)	R558	1-216-295-91	s RESISTOR, CHIP 0 (1/10W)
R464	1-216-659-11	s RESISTOR,CHIP 2.2K 1/10W(2012)	R559	1-216-663-11	s RESISTOR,CHIP 3.3K 1/10W(2012)
R465	1-216-668-11	s RESISTOR,CHIP 5.1K 1/10W(2012)	R560	1-216-073-00	s RESISTOR,CHIP 10K 1/10W(2012)
R466	1-216-668-11	s RESISTOR,CHIP 5.1K 1/10W(2012)	R561	1-216-073-00	s RESISTOR,CHIP 10K 1/10W(2012)
R500	1-216-097-91	s RESISTOR,CHIP 100K 1/10W(2012)	R562	1-216-033-00	s RESISTOR,CHIP 220 1/10W(2012)
R501	1-216-063-91	s RESISTOR,CHIP 3.9K 1/10W(2125)	R563	1-216-085-00	s RESISTOR CHIP 33K 1/10W(2012)
R502	1-216-049-91	s RESISTOR,CHIP 1K 1/10W(2125)	R564	1-216-662-11	s RESISTOR,CHIP 3K 1/10W (2012)
R503	1-216-675-11	s RESISTOR CHIP 2.2K 1/10W(2012)	R565	1-216-677-11	s RESISTOR,CHIP 12K 1/10W(2012)
R504	1-216-073-00	s RESISTOR,CHIP 10K 1/10W(2012)	R566	1-216-049-91	s RESISTOR,CHIP 1K 1/10W(2125)
R505	1-216-073-00	s RESISTOR,CHIP 10K 1/10W(2012)	R567	1-216-033-00	s RESISTOR,CHIP 220 1/10W(2012)
R506	1-216-097-91	s RESISTOR,CHIP 100K 1/10W(2012)	R568	1-216-295-91	s RESISTOR, CHIP 0 (1/10W)
R507	1-216-678-11	s RESISTOR,CHIP 13K 1/10W(2012)	R569	1-216-085-00	s RESISTOR CHIP 33K 1/10W(2012)
R509	1-216-097-91	s RESISTOR,CHIP 100K 1/10W(2012)	R570	1-216-659-11	s RESISTOR,CHIP 2.2K 1/10W(2012)
R510	1-216-681-11	s RESISTOR CHIP 18K 1/10W (2012)	R571	1-216-675-11	s RESISTOR CHIP 10K 1/10W(2012)
R511	1-216-643-11	s RESISTOR CHIP 470 1/10W (2012)	R572	1-216-675-11	s RESISTOR CHIP 10K 1/10W(2012)
R512	1-216-651-11	s RESISTOR,CHIP 1K 1/10W(2012)	R573	1-216-061-00	s RESISTOR CHIP 3.3K 1/10W(2012)
R513	1-216-675-11	s RESISTOR CHIP 10K 1/10W(2012)	R574	1-216-073-00	s RESISTOR,CHIP 10K 1/10W(2012)
R515	1-216-675-11	s RESISTOR CHIP 10K 1/10W(2012)	R575	1-216-659-11	s RESISTOR,CHIP 2.2K 1/10W(2012)
R516	1-216-025-91	s RESISTOR,CHIP 100 1/10W(2125)	R576	1-216-089-91	s RESISTOR, CHIP 47K
R517	1-216-057-00	s RESISTOR CHIP 2.2K 1/10W(2012)	R577	1-216-667-11	s RESISTOR,CHIP 4.7K 1/10W(2012)
R518	1-216-041-00	s RESISTOR, CHIP 470 1/10W(2012)	R578	1-216-647-11	s RESISTOR,CHIP 680 1/10W (2012)
R519	1-216-675-11	s RESISTOR CHIP 10K 1/10W(2012)	R579	1-216-025-91	s RESISTOR,CHIP 100 1/10W(2125)
R520	1-216-041-00	s RESISTOR, CHIP 470 1/10W(2012)	R580	1-216-033-00	s RESISTOR,CHIP 220 1/10W(2012)
R521	1-216-041-00	s RESISTOR, CHIP 470 1/10W(2012)	R581	1-216-133-00	s RESISTOR,CHIP 3.3M 1/10W(2012)
R522	1-216-675-11	s RESISTOR CHIP 10K 1/10W(2012)	R582	1-216-677-11	s RESISTOR,CHIP 12K 1/10W(2012)
R523	1-216-675-11	s RESISTOR CHIP 10K 1/10W(2012)	R585	1-216-057-00	s RESISTOR CHIP 2.2K 1/10W(2012)
R524	1-216-033-00	s RESISTOR,CHIP 220 1/10W(2012)	R596	1-216-065-91	s RESISTOR,CHIP 4.7K (2012)
R525	1-216-017-91	s RESISTOR, CHIP 47 1/10W(2012)	R597	1-216-073-00	s RESISTOR,CHIP 10K 1/10W(2012)
R526	1-216-675-11	s RESISTOR CHIP 10K 1/10W(2012)	R600	1-216-017-91	s RESISTOR, CHIP 47 1/10W(2012)
R527	1-216-660-11	s RESISTOR,CHIP 2.4K 1/10W(2012)	R601	1-216-089-91	s RESISTOR, CHIP 47K
R528	1-216-033-00	s RESISTOR,CHIP 220 1/10W(2012)	R602	1-216-049-91	s RESISTOR,CHIP 1K 1/10W(2125)
R529	1-216-117-00	s RESISTOR,CHIP 680K 1/10W(2012)	R603	1-216-073-00	s RESISTOR,CHIP 10K 1/10W(2012)
R530	1-216-033-00	s RESISTOR,CHIP 220 1/10W(2012)	R604	1-216-057-00	s RESISTOR CHIP 2.2K 1/10W(2012)
R532	1-216-661-11	s RESISTOR,CHIP 2.7K 1/10W(2012)	R605	1-216-057-00	s RESISTOR CHIP 2.2K 1/10W(2012)
R533	1-216-625-11	s RESISTOR,METAL CHIP 82 1/10W	R606	1-216-073-00	s RESISTOR,CHIP 10K 1/10W(2012)
R534	1-216-651-11	s RESISTOR,CHIP 1K 1/10W(2012)	R607	1-216-081-00	s RESISTOR,CHIP 22K 1/10W(2012)
R535	1-216-675-11	s RESISTOR CHIP 10K 1/10W(2012)	R608	1-216-061-00	s RESISTOR CHIP 3.3K 1/10W(2012)
R536	1-216-683-11	s RESISTOR CHIP 22K 1/10W (2012)	R609	1-216-061-00	s RESISTOR CHIP 3.3K 1/10W(2012)
R537	1-216-673-11	s RESISTOR,CHIP 8.2K 1/10W(2012)	R611	1-216-683-11	s RESISTOR CHIP 22K 1/10W (2012)
R538	1-216-675-11	s RESISTOR CHIP 10K 1/10W(2012)	R612	1-216-069-00	s RESISTOR,CHIP 6.8K 1/10W(2012)
R539	1-216-685-11	s RESISTOR,CHIP 27K 1/10W(2012)	R613	1-216-109-00	s RESISTOR CHIP 330K 1/10W(2012)
R540	1-216-041-00	s RESISTOR, CHIP 470 1/10W(2012)	R614	1-216-057-00	s RESISTOR CHIP 2.2K 1/10W(2012)
R541	1-216-691-11	s RESISTOR CHIP 47K 1/10W(2012)	R617	1-216-073-00	s RESISTOR,CHIP 10K 1/10W(2012)
R542	1-216-660-11	s RESISTOR,CHIP 2.4K 1/10W(2012)	R618	1-216-073-00	s RESISTOR,CHIP 10K 1/10W(2012)

(TBC-24 BOARD for DVW-A500P/A510P/CA510P, suffix 16 or higher) (TBC-24 BOARD for DVW-A500P/A510P/CA510P, suffix 16 or higher)

Ref. No. or Q'ty	Part No.	SP	Description	Ref. No. or Q'ty	Part No.	SP	Description
R619	1-216-093-00	s	RESISTOR, CHIP 68K 1/10W(2012)	TP304	*a 1-535-881-21	o	TERMINAL, TP (AUTO INSERTION)
R620	1-216-025-91	s	RESISTOR,CHIP 100 1/10W(2125)	TP401	1-535-881-21	o	TERMINAL, TP (AUTO INSERTION)
R621	1-216-061-00	s	RESISTOR,CHIP 3.3K 1/10W(2012)	TP402	*a 1-535-881-21	o	TERMINAL, TP (AUTO INSERTION)
R622	1-216-049-91	s	RESISTOR,CHIP 1K 1/10W(2125)	TP403	1-535-881-21	o	TERMINAL, TP (AUTO INSERTION)
R623	1-216-049-91	s	RESISTOR,CHIP 1K 1/10W(2125)	TP404	1-535-881-21	o	TERMINAL, TP (AUTO INSERTION)
R624	1-216-681-11	s	RESISTOR,CHIP 18K 1/10W (2012)	TP405	1-535-881-21	o	TERMINAL, TP (AUTO INSERTION)
R625	1-216-049-91	s	RESISTOR,CHIP 1K 1/10W(2125)	TP406	1-535-881-21	o	TERMINAL, TP (AUTO INSERTION)
R626	1-216-667-11	s	RESISTOR,CHIP 4.7K 1/10W(2012)	TP500	1-535-881-21	o	TERMINAL, TP (AUTO INSERTION)
R627	1-216-037-00	s	RESISTOR,CHIP 330 1/10W(2012)	TP601	1-535-881-21	o	TERMINAL, TP (AUTO INSERTION)
R628	1-216-658-11	s	RESISTOR,CHIP 2.0K 1/10W(2012)	TP602	*a 1-535-881-21	o	TERMINAL, TP (AUTO INSERTION)
R629	1-216-651-11	s	RESISTOR,CHIP 1K 1/10W(2012)	TP603	1-535-881-21	o	TERMINAL, TP (AUTO INSERTION)
R630	1-216-658-11	s	RESISTOR,CHIP 2.0K 1/10W(2012)	TP604	1-535-881-21	o	TERMINAL, TP (AUTO INSERTION)
R631	1-216-667-11	s	RESISTOR,CHIP 4.7K 1/10W(2012)	TP605	1-535-881-21	o	TERMINAL, TP (AUTO INSERTION)
R632	1-216-065-91	s	RESISTOR,CHIP 4.7K (2012)	TP606	1-535-881-21	o	TERMINAL, TP (AUTO INSERTION)
R633	1-216-295-91	s	RESISTOR, CHIP 0 (1/10W)				
R634	1-216-017-91	s	RESISTOR, CHIP 47 1/10W(2012)				
R635	1-216-033-00	s	RESISTOR,CHIP 220 1/10W(2012)				
R636	1-216-033-00	s	RESISTOR,CHIP 220 1/10W(2012)				
R637	1-216-097-91	s	RESISTOR,CHIP 100K 1/10W(2012)				
R638	1-216-017-91	s	RESISTOR, CHIP 47 1/10W(2012)				
R640	1-216-049-91	s	RESISTOR,CHIP 1K 1/10W(2125)				
R641	1-216-073-00	s	RESISTOR,CHIP 10K 1/10W(2012)				
R642	1-216-097-91	s	RESISTOR,CHIP 100K 1/10W(2012)				
R643	1-216-065-91	s	RESISTOR,CHIP 4.7K (2012)				
R645	1-216-017-91	s	RESISTOR, CHIP 47 1/10W(2012)				
R646	1-216-017-91	s	RESISTOR, CHIP 47 1/10W(2012)				
R647	1-216-049-91	s	RESISTOR,CHIP 1K 1/10W(2125)				
R648	1-216-017-91	s	RESISTOR, CHIP 47 1/10W(2012)				
R649	1-216-049-91	s	RESISTOR,CHIP 1K 1/10W(2125)				
R651	1-216-017-91	s	RESISTOR, CHIP 47 1/10W(2012)				
R652	1-216-057-00	s	RESISTOR,CHIP 2.2K 1/10W(2012)				
R653	1-216-675-11	s	RESISTOR,CHIP 10K 1/10W(2012)				
R654	1-216-675-11	s	RESISTOR,CHIP 10K 1/10W(2012)				
R655	1-216-681-11	s	RESISTOR,CHIP 18K 1/10W (2012)				
R656	1-216-081-00	s	RESISTOR,CHIP 22K 1/10W(2012)				
R657	1-216-684-91	s	RESISTOR METAL FILM CHIP 24K				
R658	1-216-295-91	s	RESISTOR, CHIP 0 (1/10W)				
R660	1-216-061-00	s	RESISTOR,CHIP 3.3K 1/10W(2012)				
R661	1-216-295-91	s	RESISTOR, CHIP 0 (1/10W)				
R662	1-216-089-91	s	RESISTOR, CHIP 47K				
RV101	1-241-781-11	s	RESISTOR, ADJ, CERMET 470				
RV201	1-241-781-11	s	RESISTOR, ADJ, CERMET 470				
RV202	1-241-264-11	s	RESISTOR,ADJ 10K (CERMET)				
RV300	1-241-785-11	s	RESISTOR, ADJ, CERMET 10K				
RV303	1-241-762-11	s	RESISTOR,ADJ 2.2K (CERMET)				
RV401	1-241-766-11	s	RESISTOR,ADJ CERMET 47K				
RV500	1-241-784-11	s	RESISTOR,ADJ, CERMET 4.7K				
RV501	1-241-785-11	s	RESISTOR, ADJ, CERMET 10K				
RV502	1-241-761-11	s	RESISTOR,ADJ 1K (CERMET)				
RV503	1-241-762-11	s	RESISTOR,ADJ 2.2K (CERMET)				
RV504	1-241-785-11	s	RESISTOR, ADJ, CERMET 10K				
RV601	1-241-766-11	s	RESISTOR,ADJ CERMET 47K				
TP101	1-535-881-21	o	TERMINAL, TP (AUTO INSERTION)				
TP103	1-535-881-21	o	TERMINAL, TP (AUTO INSERTION)				
TP201	1-535-881-21	o	TERMINAL, TP (AUTO INSERTION)				
TP203	1-535-881-21	o	TERMINAL, TP (AUTO INSERTION)				
TP300	1-535-881-21	o	TERMINAL, TP (AUTO INSERTION)				
TP303	*a 1-535-881-21	o	TERMINAL, TP (AUTO INSERTION)				

-----  
TBC-24 BOARD for DVW-A500P/A510P/CA510P, suffix 11 through 15  
-----

Ref. No.

or Q'ty Part No. SP Description

1pc	A-8275-087-A	o MOUNTED CIRCUIT BOARD, TBC-24P
1pc	3-171-455-01	o PLATE (S), SHIELD, CARD
1pc	3-696-787-03	o SHEET (S), CARD
1pc	7-682-902-11	s SCREW +PWH 2.6x5
1pc	3-179-084-01	s LEVER (R), PC BOARD
1pc	3-179-085-01	s LEVER (L), PC BOARD
C11-16	1-126-933-11	s ELECT 100uF 20% 16V
C17-19	1-163-037-11	s CERAMIC, CHIP 0.022uF 10% 25V (2125)
C20-26	1-126-933-11	s ELECT 100uF 20% 16V
C27	1-135-161-21	s TANTALUM, CHIP 22uF 10% 10V
C28	1-135-161-21	s TANTALUM, CHIP 22uF 10% 10V
C30	1-163-037-11	s CERAMIC, CHIP 0.022uF 10% 25V (2125)
C31	1-126-933-11	s ELECT 100uF 20% 16V
C32	1-135-161-21	s TANTALUM, CHIP 22uF 10% 10V
C33	*8 1-113-981-11	s TANTALUM, CHIP 22uF 20% 20V
C34	*8 1-113-981-11	s TANTALUM, CHIP 22uF 20% 20V
C35	*8 1-135-161-21	s TANTALUM, CHIP 22uF 10% 10V
C100	1-163-037-11	s CERAMIC, CHIP 0.022uF 10% 25V (2125)
C102	*3 1-163-037-11	s CERAMIC, CHIP 0.022uF 10% 25V (2125)
C103	*11 1-135-070-00	s TANTALUM, CHIP 0.1uF 20% 35V
	*12 1-135-210-11	s TANTALUM, CHIP 4.7uF 20% 10V
	*2 1-135-091-00	s TANTALUM, CHIP 1.0uF 20% 16V
	*1 1-135-210-11	s TANTALUM, CHIP 4.7uF 20% 10V
C104	1-163-037-11	s CERAMIC, CHIP 0.022uF 10% 25V (2125)
C105	1-163-275-11	s CERAMIC, CHIP 1000pF 5% 50V (2125)
C106	1-124-903-11	s ELECT 1.0uF 20% 50V
C108	1-163-037-11	s CERAMIC, CHIP 0.022uF 10% 25V (2125)
C109	1-163-037-11	s CERAMIC, CHIP 0.022uF 10% 25V (2125)
C110	1-126-964-11	s ELECT 10uF 20% 50V
C111	1-126-964-11	s ELECT 10uF 20% 50V
C112	1-135-161-21	s TANTALUM, CHIP 22uF 10% 10V
C113	1-135-091-00	s TANTALUM, CHIP 1.0uF 20% 16V
C114	1-164-232-11	s CERAMIC, CHIP 0.01uF 10% 100V (2125)
C115	1-163-037-11	s CERAMIC, CHIP 0.022uF 10% 25V (2125)
C116	1-163-037-11	s CERAMIC, CHIP 0.022uF 10% 25V (2125)
C117	1-163-253-11	s CERAMIC, CHIP 120pF 5% 50V (2125))
C118	1-163-227-11	s CERAMIC, CHIP 10pF 5% 50V (2125))
C119	*11 1-127-517-11	s ELECT 150uF 20% 16V
	*10 1-126-933-11	s ELECT 100uF 20% 16V
C120	*11 1-127-517-11	s ELECT 150uF 20% 16V
	*10 1-126-933-11	s ELECT 100uF 20% 16V
C121	1-163-037-11	s CERAMIC, CHIP 0.022uF 10% 25V (2125)
C122	1-163-037-11	s CERAMIC, CHIP 0.022uF 10% 25V (2125)
C124	*8 1-127-516-11	s ELECT 220uF 20% 10V
	*3 1-126-933-11	s ELECT 100uF 20% 16V
C125	1-163-037-11	s CERAMIC, CHIP 0.022uF 10% 25V (2125)
C126	1-163-037-11	s CERAMIC, CHIP 0.022uF 10% 25V (2125)
C127	*3 1-163-037-11	s CERAMIC, CHIP 0.022uF 10% 25V (2125)
C128	*3 1-163-037-11	s CERAMIC, CHIP 0.022uF 10% 25V (2125)
C129	*8 1-163-251-11	s CERAMIC, CHIP 100pF 5% 50V (2125))
	*3 1-163-239-11	s CERAMIC, CHIP 33pF 5% 50V (2125))
C130	1-163-037-11	s CERAMIC, CHIP 0.022uF 10% 25V (2125)
C131	1-163-251-11	s CERAMIC, CHIP 100pF 5% 50V (2125))
C132	1-163-037-11	s CERAMIC, CHIP 0.022uF 10% 25V (2125)
C133	1-163-037-11	s CERAMIC, CHIP 0.022uF 10% 25V (2125)
C135	*11 1-135-070-00	s TANTALUM, CHIP 0.1uF 20% 35V
	*4 1-135-091-00	s TANTALUM, CHIP 1.0uF 20% 16V
	*1 1-135-210-11	s TANTALUM, CHIP 4.7uF 20% 10V

-----  
\*1: Board No. suffix 11 only

\*2: Board No. suffix 12 only

\*3: Board No. suffix 11 or 12



Ref. No. or Q'ty	Part No.	SP Description
C136	1-163-037-11	s CERAMIC, CHIP 0.022uF 10% 25V
C138	*8 1-135-161-21	s TANTALUM, CHIP 22uF 10% 10V
	*2 1-164-232-11	s CERAMIC, CHIP 0.01uF 10% 100V
C139	1-163-037-11	s CERAMIC, CHIP 0.022uF 10% 25V (2125)
C141	*8 1-163-037-11	s CERAMIC, CHIP 0.022uF 10% 25V
C142	*8 1-126-933-11	s ELECT 100uF 20% 16V
C143	*8 1-163-037-11	s CERAMIC, CHIP 0.022uF 10% 25V
C144	*8 1-126-933-11	s ELECT 100uF 20% 16V
C145	*8 1-163-037-11	s CERAMIC, CHIP 0.022uF 10% 25V (2125)
C146	*8 1-126-933-11	s ELECT 100uF 20% 16V
C147	*8 1-126-933-11	s ELECT 100uF 20% 16V
C148	*8 1-163-037-11	s CERAMIC, CHIP 0.022uF 10% 25V
C149	*8 1-163-037-11	s CERAMIC, CHIP 0.022uF 10% 25V
C150	*8 1-126-933-11	s ELECT 100uF 20% 16V
C200	1-163-037-11	s CERAMIC, CHIP 0.022uF 10% 25V
C203	*3 1-163-037-11	s CERAMIC, CHIP 0.022uF 10% 25V
C204	*11 1-135-070-00	s TANTALUM, CHIP 0.1uF 20% 35V
	*13 1-135-091-00	s TANTALUM, CHIP 1.0uF 20% 16V
	*1 1-135-210-11	s TANTALUM, CHIP 4.7uF 20% 10V
C205	1-163-037-11	s CERAMIC, CHIP 0.022uF 10% 25V
C206	1-163-275-11	s CERAMIC, CHIP 1000pF 5% 50V
C207	1-124-903-11	s ELECT 1.0uF 20% 50V
C209	1-163-037-11	s CERAMIC, CHIP 0.022uF 10% 25V
C210	1-163-037-11	s CERAMIC, CHIP 0.022uF 10% 25V
C211	1-126-964-11	s ELECT 10uF 20% 50V
C212	1-126-964-11	s ELECT 10uF 20% 50V
C213	*3 1-135-161-21	s TANTALUM, CHIP 22uF 10% 10V
C214	1-135-091-00	s TANTALUM, CHIP 1.0uF 20% 16V
C215	1-164-232-11	s CERAMIC, CHIP 0.01uF 10% 100V
C216	1-163-037-11	s CERAMIC, CHIP 0.022uF 10% 25V
C217	1-163-037-11	s CERAMIC, CHIP 0.022uF 10% 25V
C218	1-163-253-11	s CERAMIC, CHIP 120pF 5% 50V (2125)
C219	1-163-227-11	s CERAMIC, CHIP 10pF 5% 50V (2125)
C220	*11 1-127-517-11	s ELECT 150uF 20% 16V
	*10 1-126-933-11	s ELECT 100uF 20% 16V
C221	*11 1-127-517-11	s ELECT 150uF 20% 16V
	*10 1-126-933-11	s ELECT 100uF 20% 16V
C222	*8 1-127-516-11	s ELECT 220uF 20% 10V
	*3 1-126-933-11	s ELECT 100uF 20% 16V
C223	*11 1-135-070-00	s TANTALUM, CHIP 0.1uF 20% 35V
	*4 1-135-091-00	s TANTALUM, CHIP 1.0uF 20% 16V
	*1 1-135-210-11	s TANTALUM, CHIP 4.7uF 20% 10V
C225	1-163-037-11	s CERAMIC, CHIP 0.022uF 10% 25V (2125)
C226	1-163-037-11	s CERAMIC, CHIP 0.022uF 10% 25V
C227	*3 1-163-037-11	s CERAMIC, CHIP 0.022uF 10% 25V
C228	*3 1-163-037-11	s CERAMIC, CHIP 0.022uF 10% 25V
C229	*8 1-163-121-00	s CERAMIC, CHIP 150pF 5% 50V (2125)
	*3 1-163-239-11	s CERAMIC, CHIP 33pF 5% 50V (2125)
C230	1-163-037-11	s CERAMIC, CHIP 0.022uF 10% 25V
C231	1-163-037-11	s CERAMIC, CHIP 0.022uF 10% 25V
C232	*8 1-135-161-21	s TANTALUM, CHIP 22uF 10% 10V
	*2 1-164-232-11	s CERAMIC, CHIP 0.01uF 10% 100V
C239	1-163-037-11	s CERAMIC, CHIP 0.022uF 10% 25V (2125)
C241	*8 1-163-037-11	s CERAMIC, CHIP 0.022uF 10% 25V
C242	*8 1-126-933-11	s ELECT 100uF 20% 16V

-----  
 \*4: Board No. suffix 12 or higher  
 \*8: Board No. suffix 13 or higher  
 \*10: Board No. suffix 11 through 14

Ref. No. or Q'ty	Part No.	SP Description
C243	*8 1-163-037-11	s CERAMIC, CHIP 0.022uF 10% 25V (2125)
C244	*8 1-126-933-11	s ELECT 100uF 20% 16V
C245	*8 1-163-037-11	s CERAMIC, CHIP 0.022uF 10% 25V (2125)
C246	*8 1-126-933-11	s ELECT 100uF 20% 16V
C247	*8 1-126-933-11	s ELECT 100uF 20% 16V
C248	*8 1-163-037-11	s CERAMIC, CHIP 0.022uF 10% 25V (2125)
C249	*8 1-163-037-11	s CERAMIC, CHIP 0.022uF 10% 25V (2125)
C300	1-163-037-11	s CERAMIC, CHIP 0.022uF 10% 25V (2125)
C301	1-126-964-11	s ELECT 10uF 20% 50V
C302	1-126-933-11	s ELECT 100uF 20% 16V
C303	1-126-933-11	s ELECT 100uF 20% 16V
C304	1-163-037-11	s CERAMIC, CHIP 0.022uF 10% 25V (2125)
C305	1-163-037-11	s CERAMIC, CHIP 0.022uF 10% 25V (2125)
C306	1-124-903-11	s ELECT 1.0uF 20% 50V
C307	1-163-251-11	s CERAMIC, CHIP 100pF 5% 50V (2125)
C308	1-163-133-00	s CERAMIC, CHIP 470pF 5% 50V (2125)
C309	1-164-004-11	s CERAMIC, CHIP 0.1uF 10% 25V (2125)
C310	1-163-037-11	s CERAMIC, CHIP 0.022uF 10% 25V (2125)
C311	1-163-275-11	s CERAMIC, CHIP 1000pF 5% 50V (2125)
C312	1-163-097-00	s CERAMIC, CHIP 15pF 5% 50V (2125)
C313	1-164-004-11	s CERAMIC, CHIP 0.1uF 10% 25V (2125)
C314	1-163-037-11	s CERAMIC, CHIP 0.022uF 10% 25V (2125)
C315	1-163-037-11	s CERAMIC, CHIP 0.022uF 10% 25V (2125)
C316	1-164-004-11	s CERAMIC, CHIP 0.1uF 10% 25V (2125)
C317	1-164-004-11	s CERAMIC, CHIP 0.1uF 10% 25V (2125)
C318	1-163-037-11	s CERAMIC, CHIP 0.022uF 10% 25V (2125)
C319	1-164-004-11	s CERAMIC, CHIP 0.1uF 10% 25V (2125)
C320	1-163-251-11	s CERAMIC, CHIP 100pF 5% 50V (2125)
C321-324	1-163-037-11	s CERAMIC, CHIP 0.022uF 10% 25V (2125)
C325	1-163-251-11	s CERAMIC, CHIP 100pF 5% 50V (2125)
C326	1-163-037-11	s CERAMIC, CHIP 0.022uF 10% 25V (2125)
C327	1-163-263-11	s CERAMIC, CHIP 330pF 5% 50V (2125)
C328	1-163-133-00	s CERAMIC, CHIP 470pF 5% 50V (2125)
C329	1-126-933-11	s ELECT 100uF 20% 16V
C330	1-163-251-11	s CERAMIC, CHIP 100pF 5% 50V (2125)
C331	1-163-037-11	s CERAMIC, CHIP 0.022uF 10% 25V (2125)
C332	*4 1-163-251-11	s CERAMIC, CHIP 100pF 5% 50V (2125)
C333	1-163-037-11	s CERAMIC, CHIP 0.022uF 10% 25V (2125)
C334	1-126-933-11	s ELECT 100uF 20% 16V
C335	1-163-251-11	s CERAMIC, CHIP 100pF 5% 50V (2125)
C336	1-163-037-11	s CERAMIC, CHIP 0.022uF 10% 25V (2125)
C337	1-163-037-11	s CERAMIC, CHIP 0.022uF 10% 25V (2125)
C338	1-126-933-11	s ELECT 100uF 20% 16V
C339	1-163-253-11	s CERAMIC, CHIP 120pF 5% 50V (2125)
C340	1-163-037-11	s CERAMIC, CHIP 0.022uF 10% 25V (2125)
C341	1-163-243-11	s CERAMIC, CHIP 47pF 5% 50V (2125)
C342	1-163-133-00	s CERAMIC, CHIP 470pF 5% 50V (2125)
C343	1-164-232-11	s CERAMIC, CHIP 0.01uF 10% 100V (2125)
C344	1-164-004-11	s CERAMIC, CHIP 0.1uF 10% 25V (2125)
C345	1-126-933-11	s ELECT 100uF 20% 16V
C346-349	1-163-037-11	s CERAMIC, CHIP 0.022uF 10% 25V (2125)
C350	1-163-251-11	s CERAMIC, CHIP 100pF 5% 50V (2125)
C351	1-163-037-11	s CERAMIC, CHIP 0.022uF 10% 25V (2125)
C352	1-163-251-11	s CERAMIC, CHIP 100pF 5% 50V (2125)
C354	1-124-903-11	s ELECT 1.0uF 20% 50V

-----  
 \*11: Board No. suffix 15 or higher  
 \*12: Board No. suffix 13 through 14  
 \*13: Board No. suffix 12 through 14

Ref. No. or Q'ty	Part No.	SP	Description
C355	1-124-903-11	s	ELECT 1.0uF 20% 50V
C356	1-126-933-11	s	ELECT 100uF 20% 16V
C358	*8 1-163-037-11	s	CERAMIC, CHIP 0.022uF 10% 25V
C360	*8 1-163-037-11	s	CERAMIC, CHIP 0.022uF 10% 25V
C361	*8 1-163-037-11	s	CERAMIC, CHIP 0.022uF 10% 25V (2125)
C363	1-163-037-11	s	CERAMIC, CHIP 0.022uF 10% 25V
C400	1-163-037-11	s	CERAMIC, CHIP 0.022uF 10% 25V
C401	1-164-004-11	s	CERAMIC, CHIP 0.1uF 10% 25V
C402	1-126-933-11	s	ELECT 100uF 20% 16V
C403	1-126-964-11	s	ELECT 10uF 20% 50V
C404	1-135-149-21	s	TANTALUM, CHIP 2.2uF 10% 10V
C405	1-135-146-21	s	TANTALUM, CHIP 0.68uF 20% 25V
C406	1-135-149-21	s	TANTALUM, CHIP 2.2uF 10% 10V
C407	1-163-037-11	s	CERAMIC, CHIP 0.022uF 10% 25V
C408	1-135-146-21	s	TANTALUM, CHIP 0.68uF 20% 25V
C409	1-135-210-11	s	TANTALUM, CHIP 4.7uF 20% 10V
C410	1-135-146-21	s	TANTALUM, CHIP 0.68uF 20% 25V
C411	*3 1-163-037-11	s	CERAMIC, CHIP 0.022uF 10% 25V
C412	1-135-210-11	s	TANTALUM, CHIP 4.7uF 20% 10V
C413	1-135-146-21	s	TANTALUM, CHIP 0.68uF 20% 25V
C414	1-163-037-11	s	CERAMIC, CHIP 0.022uF 10% 25V
C415	1-163-037-11	s	CERAMIC, CHIP 0.022uF 10% 25V
C416	1-126-933-11	s	ELECT 100uF 20% 16V
C417-422	1-163-037-11	s	CERAMIC, CHIP 0.022uF 10% 25V
C423	1-164-004-11	s	CERAMIC, CHIP 0.1uF 10% 25V (2125)
C424	1-126-933-11	s	ELECT 100uF 20% 16V
C425	1-163-275-11	s	CERAMIC, CHIP 1000pF 5% 50V
C426	1-164-004-11	s	CERAMIC, CHIP 0.1uF 10% 25V
C427	1-164-004-11	s	CERAMIC, CHIP 0.1uF 10% 25V
C428	1-126-933-11	s	ELECT 100uF 20% 16V
C429	1-164-004-11	s	CERAMIC, CHIP 0.1uF 10% 25V
C430	*1 1-163-263-11	s	CERAMIC, CHIP 330pF 5% 50V (2125)
C431	1-163-037-11	s	CERAMIC, CHIP 0.022uF 10% 25V
C432	1-163-037-11	s	CERAMIC, CHIP 0.022uF 10% 25V
C433	1-164-004-11	s	CERAMIC, CHIP 0.1uF 10% 25V (2125)
C434	1-163-037-11	s	CERAMIC, CHIP 0.022uF 10% 25V
C435	1-163-239-11	s	CERAMIC, CHIP 33pF 5% 50V (2125)
C436	*1 1-163-037-11	s	CERAMIC, CHIP 0.022uF 10% 25V
C438	1-163-239-11	s	CERAMIC, CHIP 33pF 5% 50V (2125)
C439	1-164-004-11	s	CERAMIC, CHIP 0.1uF 10% 25V (2125)
C440	1-163-037-11	s	CERAMIC, CHIP 0.022uF 10% 25V
C441	1-163-037-11	s	CERAMIC, CHIP 0.022uF 10% 25V
C500	1-163-243-11	s	CERAMIC, CHIP 47pF 5% 50V (2125)
C501	1-126-964-11	s	ELECT 10uF 20% 50V
C502	1-126-933-11	s	ELECT 100uF 20% 16V
C503	1-126-933-11	s	ELECT 100uF 20% 16V
C504	1-163-037-11	s	CERAMIC, CHIP 0.022uF 10% 25V
C505	1-163-037-11	s	CERAMIC, CHIP 0.022uF 10% 25V
C506	1-163-125-00	s	CERAMIC, CHIP 220pF 5% 50V (2125)
C507	1-163-227-11	s	CERAMIC, CHIP 10pF 5% 50V (2125)
C508	1-163-243-11	s	CERAMIC, CHIP 47pF 5% 50V (2125)
C509	1-164-004-11	s	CERAMIC, CHIP 0.1uF 10% 25V
C510	1-164-232-11	s	CERAMIC, CHIP 0.01uF 10% 100V
C511	1-163-275-11	s	CERAMIC, CHIP 1000pF 5% 50V
C512	1-124-903-11	s	ELECT 1.0uF 20% 50V
C513	1-164-004-11	s	CERAMIC, CHIP 0.1uF 10% 25V
C514	1-124-903-11	s	ELECT 1.0uF 20% 50V

Ref. No. or Q'ty	Part No.	SP	Description
C515	1-163-037-11	s	CERAMIC, CHIP 0.022uF 10% 25V (2125)
C516	1-164-004-11	s	CERAMIC, CHIP 0.1uF 10% 25V
C517	1-164-004-11	s	CERAMIC, CHIP 0.1uF 10% 25V
C518	1-163-037-11	s	CERAMIC, CHIP 0.022uF 10% 25V (2125)
C519	1-164-004-11	s	CERAMIC, CHIP 0.1uF 10% 25V (2125)
C520	1-163-251-11	s	CERAMIC, CHIP 100pF 5% 50V (2125)
C521	1-163-037-11	s	CERAMIC, CHIP 0.022uF 10% 25V (2125)
C522	1-163-037-11	s	CERAMIC, CHIP 0.022uF 10% 25V (2125)
C523	1-124-903-11	s	ELECT 1.0uF 20% 50V
C524	1-126-933-11	s	ELECT 100uF 20% 16V
C525	1-163-253-11	s	CERAMIC, CHIP 120pF 5% 50V (2125)
C526	1-163-037-11	s	CERAMIC, CHIP 0.022uF 10% 25V (2125)
C527	1-163-227-11	s	CERAMIC, CHIP 10pF 5% 50V
C528	1-163-263-11	s	CERAMIC, CHIP 330pF 5% 50V (2125)
C529	1-126-933-11	s	ELECT 100uF 20% 16V
C530	1-163-251-11	s	CERAMIC, CHIP 100pF 5% 50V
C531	1-163-037-11	s	CERAMIC, CHIP 0.022uF 10% 25V (2125)
C532	1-126-933-11	s	ELECT 100uF 20% 16V
C533	1-163-037-11	s	CERAMIC, CHIP 0.022uF 10% 25V (2125)
C534	1-163-037-11	s	CERAMIC, CHIP 0.022uF 10% 25V (2125)
C535	1-163-251-11	s	CERAMIC, CHIP 100pF 5% 50V (2125)
C536	1-163-037-11	s	CERAMIC, CHIP 0.022uF 10% 25V (2125)
C537	1-163-037-11	s	CERAMIC, CHIP 0.022uF 10% 25V (2125)
C538	1-126-933-11	s	ELECT 100uF 20% 16V
C539	1-163-253-11	s	CERAMIC, CHIP 120pF 5% 50V (2125)
C540	1-164-004-11	s	CERAMIC, CHIP 0.1uF 10% 25V (2125)
C541	1-163-243-11	s	CERAMIC, CHIP 47pF 5% 50V (2125)
C542	1-163-133-00	s	CERAMIC, CHIP 470pF 5% 50V
C543	1-164-232-11	s	CERAMIC, CHIP 0.01uF 10% 100V (2125)
C544	1-164-004-11	s	CERAMIC, CHIP 0.1uF 10% 25V (2125)
C545	1-126-933-11	s	ELECT 100uF 20% 16V
C546-549	1-163-037-11	s	CERAMIC, CHIP 0.022uF 10% 25V (2125)
C550	1-163-251-11	s	CERAMIC, CHIP 100pF 5% 50V (2125)
C551	1-163-037-11	s	CERAMIC, CHIP 0.022uF 10% 25V (2125)
C552	1-163-251-11	s	CERAMIC, CHIP 100pF 5% 50V (2125)
C554	1-126-964-11	s	ELECT 10uF 20% 50V
C555	1-163-097-00	s	CERAMIC, CHIP 15pF 5% 50V (2125)
C556	1-163-235-11	s	CERAMIC, CHIP 22pF 5% 50V (2125)
C557	1-163-222-11	s	CERAMIC, CHIP 5pF 50V (2125)
C558	1-163-229-11	s	CERAMIC, CHIP 12pF 5% 50V (2125)
C559	1-163-229-11	s	CERAMIC, CHIP 12pF 5% 50V
C560	1-163-243-11	s	CERAMIC, CHIP 47pF 5% 50V
C561-563	1-163-037-11	s	CERAMIC, CHIP 0.022uF 10% 25V (2125)
C564	*4 1-163-251-11	s	CERAMIC, CHIP 100pF 5% 50V (2125)
C567	*8 1-163-037-11	s	CERAMIC, CHIP 0.022uF 10% 25V (2125)
C600	1-163-037-11	s	CERAMIC, CHIP 0.022uF 10% 25V (2125)
C601	1-164-004-11	s	CERAMIC, CHIP 0.1uF 10% 25V (2125)
C602	1-126-933-11	s	ELECT 100uF 20% 16V
C603	1-126-964-11	s	ELECT 10uF 20% 50V
C604	1-135-149-21	s	TANTALUM, CHIP 2.2uF 10% 10V
C605	1-135-146-21	s	TANTALUM, CHIP 0.68uF 20% 25V
C606	1-135-149-21	s	TANTALUM, CHIP 2.2uF 10% 10V
C607	1-163-037-11	s	CERAMIC, CHIP 0.022uF 10% 25V (2125)
C608	1-135-146-21	s	TANTALUM, CHIP 0.68uF 20% 25V
C609	1-135-210-11	s	TANTALUM, CHIP 4.7uF 20% 10V
C610	1-164-222-11	s	CERAMIC, CHIP 0.22uF 25V (2125)
C611	1-164-004-11	s	CERAMIC, CHIP 0.1uF 10% 25V (2125)

\*1: Board No. suffix 11 only  
\*3: Board No. suffix 11 or 12  
\*4: Board No. suffix 12 or higher  
\*8: Board No. suffix 13 or higher

Ref. No. or Q'ty	Part No.	SP Description
C612	1-135-210-11	s TANTALUM, CHIP 4.7uF 20% 10V
C613-615	1-163-037-11	s CERAMIC, CHIP 0.022uF 10% 25V
C616	1-126-933-11	s ELECT 100uF 20% 16V
C617	1-163-037-11	s CERAMIC, CHIP 0.022uF 10% 25V
C618	1-164-004-11	s CERAMIC, CHIP 0.1uF 10% 25V
C619-622	1-163-037-11	s CERAMIC, CHIP 0.022uF 10% 25V
C623	1-164-004-11	s CERAMIC, CHIP 0.1uF 10% 25V
C624	1-126-933-11	s ELECT 100uF 20% 16V
C625	1-163-275-11	s CERAMIC, CHIP 1000pF 5% 50V
C626	1-164-004-11	s CERAMIC, CHIP 0.1uF 10% 25V
C627	1-164-004-11	s CERAMIC, CHIP 0.1uF 10% 25V
C628	1-126-933-11	s ELECT 100uF 20% 16V
C629	1-164-004-11	s CERAMIC, CHIP 0.1uF 10% 25V (2125)
C630 *1	1-163-263-11	s CERAMIC, CHIP 330pF 5% 50V (2125)
C631	1-163-037-11	s CERAMIC, CHIP 0.022uF 10% 25V
C632	1-163-037-11	s CERAMIC, CHIP 0.022uF 10% 25V
C633	1-164-004-11	s CERAMIC, CHIP 0.1uF 10% 25V
C634	1-163-037-11	s CERAMIC, CHIP 0.022uF 10% 25V (2125)
C635	1-163-239-11	s CERAMIC, CHIP 33pF 5% 50V (2125)
C636	1-163-239-11	s CERAMIC, CHIP 33pF 5% 50V (2125)
CN1	1-506-493-11	s CONNECTOR, 14P, MALE
CN102	1-750-795-21	s CONNECTOR, PHEC 120P, MALE
D11-13	8-719-941-04	s DIODE SB007-03CP
D100	8-719-941-23	s DIODE DA204U
D103	8-719-941-23	s DIODE DA204U
D104 *9	8-719-941-23	s DIODE DA204U
D105 *11	8-719-404-35	s DIODE MA141WK
	*14 8-719-123-85	s DIODE 1SS304
D200	8-719-941-23	s DIODE DA204U
D201	8-719-941-23	s DIODE DA204U
D202 *9	8-719-941-23	s DIODE DA204U
D301	8-719-941-23	s DIODE DA204U
D400 *1	8-719-941-09	s DIODE DAP202U
D401	8-719-941-23	s DIODE DA204U
D402 *3	8-719-941-23	s DIODE DA204U
D403	8-719-941-23	s DIODE DA204U
D404	8-719-041-39	s DIODE KV1470
D405	8-719-941-23	s DIODE DA204U
D406	8-719-041-39	s DIODE KV1470
D407	8-719-941-23	s DIODE DA204U
D501	8-719-941-23	s DIODE DA204U
D600 *3	8-719-941-23	s DIODE DA204U
D601	8-719-941-23	s DIODE DA204U
D602 *3	8-719-941-23	s DIODE DA204U
D603 *3	8-719-941-23	s DIODE DA204U
D604	8-719-041-39	s DIODE KV1470
D605	8-719-941-23	s DIODE DA204U
D606	8-719-041-39	s DIODE KV1470
FL101	1-239-716-11	s FILTER, LOW PASS
FL201	1-239-717-11	s FILTER, LOW PASS
IC10 *11	8-759-170-73	s IC TA78L12S
	*10 8-759-708-12	s IC NJM78L12A
IC11 *11	8-759-168-21	s IC TA78L09S

-----  
\*1: Board No. suffix 11 only  
\*3: Board No. suffix 11 or 12  
\*8: Board No. suffix 13 or higher

Ref. No. or Q'ty	Part No.	SP Description
	*10 8-759-168-20	s IC TA78L09S
IC12 *11	8-759-168-21	s IC TA78L09S
	*10 8-759-168-20	s IC TA78L09S
IC13	8-759-700-65	s IC NJM79L05A
IC14	8-759-700-65	s IC NJM79L05A
IC15-17	8-759-052-52	s IC L78M05T-FA
IC20-22	8-759-710-88	s IC NJM431U
IC23 *8	8-759-710-88	s IC NJM431U
IC24 *8	8-759-710-88	s IC NJM431U
IC25 *8	8-759-710-88	s IC NJM431U
IC100 *8	8-752-376-32	s IC CXD2310AR
	*3 8-752-334-55	s IC CXD1175M
IC101	8-759-925-74	s IC SN74HC04ANS
IC102	8-759-014-29	s IC MC34184M
IC103	8-752-362-70	s IC CXD101-106Q
IC104	8-759-300-71	s IC HD14053BFP
IC105	8-759-702-08	s IC NJM360M
IC106 *8	8-759-030-74	s IC SC14S66F
IC107 *8	8-759-673-45	s IC MM74HC08SJX
IC108 *8	8-759-030-16	s IC MC34182M
IC200 *8	8-752-376-32	s IC CXD2310AR
	*3 8-752-334-55	s IC CXD1175M
IC201	8-759-014-29	s IC MC34184M
IC202	8-752-362-70	s IC CXD101-106Q
IC203	8-759-926-52	s IC SN74HC257ANS
IC204 *8	8-759-030-74	s IC SC14S66F
IC208 *8	8-759-030-16	s IC MC34182M
IC301	8-752-358-08	s IC CXD2221Q
IC302	8-759-014-29	s IC MC34184M
IC303	8-759-925-05	s IC LM2903PS
IC304	8-759-925-85	s IC SN74HC32ANS
IC307	8-759-907-81	s IC SN74LS221NS
IC308	8-759-941-27	s IC MB4002PF
IC310 *8	8-759-234-20	s IC TC7S08F
IC400	8-759-013-86	s IC MC74HC4066F
IC401	8-759-673-39	s IC MM74HC02SJX
IC402	8-759-030-16	s IC MC34182M
IC403	8-759-030-74	s IC SC14S66F
IC404	8-759-973-82	s IC TLC5491PS
IC405*11	8-759-395-37	s IC XRD7523AID-JTR
	*10 8-759-711-52	s IC NJU8001M
IC406	8-759-991-85	s IC 74F00SJ
IC407 *8	8-759-030-16	s IC MC34182M
	*3 8-759-700-43	s IC NJM4558M
IC409	8-759-014-29	s IC MC34184M
IC411	8-759-030-16	s IC MC34182M
IC412	8-759-035-93	s IC SC7S32F
IC501	8-752-358-08	s IC CXD2221Q
IC502	8-759-014-29	s IC MC34184M
IC507	8-759-907-81	s IC SN74LS221NS
IC508	8-759-941-27	s IC MB4002PF
IC509 *8	8-759-030-74	s IC SC14S66F
IC511 *8	8-759-234-20	s IC TC7S08F
IC600	8-759-013-86	s IC MC74HC4066F
IC601	8-759-673-39	s IC MM74HC02SJX
IC602	8-759-030-16	s IC MC34182M

-----  
\*9: Board No. suffix 14 or higher  
\*10: Board No. suffix 11 through 14  
\*11: Board No. suffix 15 or higher

(TBC-24 BOARD for DVW-A500P/A510P/CA510P, suffix 11 through 15) (TBC-24 BOARD for DVW-A500P/A510P/CA510P, suffix 11 through 15)

Ref. No. or Q'ty	Part No.	SP	Description
IC603	8-759-030-74	s	IC SC14S66F
IC604	8-759-973-82	s	IC TLC549IPS
IC605*11	8-759-395-37	s	IC XRD7523AID-JTR
*10	8-759-711-52	s	IC NJU8001M
IC606	8-759-991-85	s	IC 74F00SJ
IC607 *8	8-759-030-16	s	IC MC34182M
*3	8-759-100-96	s	IC UPC4558G2
IC608	8-759-008-37	s	IC MC74HC4050F
IC609	8-759-014-29	s	IC MC34184M
IC610	8-759-926-24	s	IC SN74HC164ANS
L11-13	1-412-533-21	s	INDUCTOR 47uH
L100	1-408-974-21	s	INDUCTOR 22uH
L102	1-408-984-21	s	INDUCTOR 150uH
L103	1-408-974-21	s	INDUCTOR 22uH
L104	1-408-974-21	s	INDUCTOR 22uH
L105	1-408-419-00	s	INDUCTOR 68uH
L200	1-408-974-21	s	INDUCTOR 22uH
L201	1-408-984-21	s	INDUCTOR 150uH
L202	1-408-974-21	s	INDUCTOR 22uH
L203	1-408-974-21	s	INDUCTOR 22uH
L301	1-408-978-21	s	INDUCTOR 47uH
L302	1-408-978-21	s	INDUCTOR 47uH
L303	1-408-419-00	s	INDUCTOR 68uH
L304	1-408-427-00	s	INDUCTOR 330uH
L305	1-410-492-11	s	INDUCTOR 680uH
L401	1-408-978-21	s	INDUCTOR 47uH
L402	1-408-978-21	s	INDUCTOR 47uH
L403	1-408-970-21	s	INDUCTOR 10uH
L501	1-408-978-21	s	INDUCTOR 47uH
L502	1-408-978-21	s	INDUCTOR 47uH
L503	1-408-416-00	s	INDUCTOR 39uH
L504	1-410-482-31	s	INDUCTOR 100uH
L505	1-408-425-00	s	INDUCTOR 220uH
L506	1-408-411-00	s	INDUCTOR 15uH
L507	1-410-476-11	s	INDUCTOR 33uH
L601	1-408-978-21	s	INDUCTOR 47uH
L602	1-408-978-21	s	INDUCTOR 47uH
L603	1-408-970-21	s	INDUCTOR 10uH
LV401	1-406-744-11	s	INDUCTOR, VAR 22uH
LV601	1-406-744-11	s	INDUCTOR, VAR 22uH
Q100	8-729-117-72	s	TRANSISTOR 2SC4178-F13
Q101	8-729-140-63	s	TRANSISTOR 2SA1611-M5M6
Q102	8-729-117-32	s	TRANSISTOR 2SC4177-L6
Q103	8-729-904-04	s	TRANSISTOR FMS2
Q104	8-729-907-26	s	TRANSISTOR IMX1
Q105	8-729-907-26	s	TRANSISTOR IMX1
Q106	8-729-905-18	s	TRANSISTOR DTC144EU
Q107	8-729-117-32	s	TRANSISTOR 2SC4177-L6
Q108	8-729-140-63	s	TRANSISTOR 2SA1611-M5M6
Q109	8-729-117-72	s	TRANSISTOR 2SC4178-F13
Q110 *4	8-729-140-63	s	TRANSISTOR 2SA1611-M5M6
Q112 *8	8-729-140-63	s	TRANSISTOR 2SA1611-M5M6
Q200	8-729-117-72	s	TRANSISTOR 2SC4178-F13
Q201	8-729-140-63	s	TRANSISTOR 2SA1611-M5M6

Ref. No. or Q'ty	Part No.	SP	Description
Q202	8-729-117-32	s	TRANSISTOR 2SC4177-L6
Q203	8-729-904-04	s	TRANSISTOR FMS2
Q204	8-729-907-26	s	TRANSISTOR IMX1
Q205	8-729-907-26	s	TRANSISTOR IMX1
Q206 *3	8-729-905-18	s	TRANSISTOR DTC144EU
Q207	8-729-117-32	s	TRANSISTOR 2SC4177-L6
Q208	8-729-140-63	s	TRANSISTOR 2SA1611-M5M6
Q209	8-729-117-72	s	TRANSISTOR 2SC4178-F13
Q212 *8	8-729-140-63	s	TRANSISTOR 2SA1611-M5M6
Q300	8-729-907-26	s	TRANSISTOR IMX1
Q301	8-729-140-63	s	TRANSISTOR 2SA1611-M5M6
Q302	8-729-140-63	s	TRANSISTOR 2SA1611-M5M6
Q303 *3	8-729-905-18	s	TRANSISTOR DTC144EU
Q304	8-729-140-63	s	TRANSISTOR 2SA1611-M5M6
Q305	8-729-117-32	s	TRANSISTOR 2SC4177-L6
Q306	8-729-140-47	s	TRANSISTOR 2SC3735-L-B35
Q307	8-729-140-63	s	TRANSISTOR 2SA1611-M5M6
Q402 *3	8-729-140-63	s	TRANSISTOR 2SA1611-M5M6
Q403	8-729-117-32	s	TRANSISTOR 2SC4177-L6
Q404 *3	8-729-117-32	s	TRANSISTOR 2SC4177-L6
Q405	8-729-140-63	s	TRANSISTOR 2SA1611-M5M6
Q406-408	8-729-117-32	s	TRANSISTOR 2SC4177-L6
Q500	8-729-907-26	s	TRANSISTOR IMX1
Q501	8-729-117-32	s	TRANSISTOR 2SC4177-L6
Q502-504	8-729-140-63	s	TRANSISTOR 2SA1611-M5M6
Q506	8-729-140-47	s	TRANSISTOR 2SC3735-L-B35
Q507	8-729-140-63	s	TRANSISTOR 2SA1611-M5M6
Q602 *3	8-729-140-63	s	TRANSISTOR 2SA1611-M5M6
Q603	8-729-117-32	s	TRANSISTOR 2SC4177-L6
Q604	8-729-117-32	s	TRANSISTOR 2SC4177-L6
Q605	8-729-140-63	s	TRANSISTOR 2SA1611-M5M6
Q606-608	8-729-117-32	s	TRANSISTOR 2SC4177-L6
R11 *8	1-216-041-00	s	METAL, CHIP 470 5% 1/10W (2125)
*3	1-216-033-00	s	METAL, CHIP 220 5% 1/10W (2125)
R12 *8	1-216-041-00	s	METAL, CHIP 470 5% 1/10W
*3	1-216-033-00	s	METAL, CHIP 220 5% 1/10W
R14 *8	1-216-041-00	s	METAL, CHIP 470 5% 1/10W
*3	1-216-033-00	s	METAL, CHIP 220 5% 1/10W
R15 *8	1-216-677-11	s	METAL, CHIP 12K 0.5% 1/10W (2125)
*3	1-208-784-11	s	METAL, CHIP 1.2K 0.5% 1/10W (2125)
R16 *8	1-208-814-11	s	METAL, CHIP 22K 0.5% 1/10W (2125)
*3	1-216-659-11	s	METAL, CHIP 2.2K 0.5% 1/10W (2125)
R17 *8	1-216-041-00	s	METAL, CHIP 470 5% 1/10W (2125)
*3	1-216-033-00	s	METAL, CHIP 220 5% 1/10W (2125)
R18 *8	1-216-025-00	s	METAL, CHIP 100 5% 1/10W (2125)
*3	1-216-033-00	s	METAL, CHIP 220 5% 1/10W (2125)
R19 *8	1-216-025-00	s	METAL, CHIP 100 5% 1/10W
*3	1-216-033-00	s	METAL, CHIP 220 5% 1/10W (2125)
R20 *8	1-216-049-00	s	METAL, CHIP 1.0K 5% 1/10W (2125)
R21 *8	1-216-049-00	s	METAL, CHIP 1.0K 5% 1/10W (2125)
R22 *8	1-216-691-11	s	METAL, CHIP 47K 0.5% 1/10W (2125)
R23 *8	1-208-812-11	s	METAL, CHIP 18K 0.5% 1/10W (2125)

-----  
 \*3: Board No. suffix 11 or 12  
 \*4: Board No. suffix 12 or higher  
 \*8: Board No. suffix 13 or higher

-----  
 \*10: Board No. suffix 11 through 14  
 \*11: Board No. suffix 15 or higher

Ref. No. or Q'ty	Part No.	SP Description
R24	*8 1-216-049-00	s METAL, CHIP 1.0K 5% 1/10W (2125)
R25	*8 1-216-049-00	s METAL, CHIP 1.0K 5% 1/10W (2125)
R26	*8 1-216-691-11	s METAL, CHIP 47K 0.5% 1/10W (2125)
R27	*8 1-208-812-11	s METAL, CHIP 18K 0.5% 1/10W (2125)
R28	*8 1-216-025-00	s METAL, CHIP 100 5% 1/10W (2125)
R29	*8 1-216-025-00	s METAL, CHIP 100 5% 1/10W (2125)
R30	*8 1-216-677-11	s METAL, CHIP 12K 0.5% 1/10W (2125)
R31	*8 1-208-814-11	s METAL, CHIP 22K 0.5% 1/10W (2125)
R100	1-216-638-11	s METAL, CHIP 300 0.5% 1/10W (2125)
R101	1-216-025-00	s METAL, CHIP 100 5% 1/10W (2125)
R102	1-216-017-00	s METAL, CHIP 47 5% 1/10W (2125)
R103	1-216-073-00	s METAL, CHIP 10K 5% 1/10W (2125)
R104	1-216-017-00	s METAL, CHIP 47 5% 1/10W (2125)
R105	1-216-049-00	s METAL, CHIP 1.0K 5% 1/10W (2125)
R107	1-216-639-11	s METAL, CHIP 330 0.5% 1/10W (2125)
R108	1-216-639-11	s METAL, CHIP 330 0.5% 1/10W (2125)
R109	1-216-049-00	s METAL, CHIP 1.0K 5% 1/10W (2125)
R110	1-216-065-00	s METAL, CHIP 4.7K 5% 1/10W (2125)
R111	1-216-659-11	s METAL, CHIP 2.2K 0.5% 1/10W
R112	1-216-641-11	s METAL, CHIP 390 0.5% 1/10W (2125)
R113	1-216-097-00	s METAL, CHIP 100K 5% 1/10W (2125)
R114	1-216-121-00	s METAL, CHIP 1.0M 5% 1/10W (2125)
R115	1-216-057-00	s METAL, CHIP 2.2K 5% 1/10W (2125)
R116	1-216-065-00	s METAL, CHIP 4.7K 5% 1/10W (2125)
R117	1-216-057-00	s METAL, CHIP 2.2K 5% 1/10W (2125)
R118	1-216-061-00	s METAL, CHIP 3.3K 5% 1/10W (2125)
R119	1-216-025-00	s METAL, CHIP 100 5% 1/10W (2125)
R120	*8 1-208-812-11	s METAL, CHIP 18K 0.5% 1/10W (2125)
	*3 1-208-814-11	s METAL, CHIP 22K 0.5% 1/10W (2125)
R121	*8 1-216-684-11	s METAL, CHIP 24K 0.5% 1/10W (2125)
	*3 1-216-682-11	s METAL, CHIP 20K 0.5% 1/10W (2125)
R122	1-216-105-11	s METAL, CHIP 220K 5% 1/10W (2125)
R123	1-216-059-00	s METAL, CHIP 2.7K 5% 1/10W (2125)
R124	1-216-677-11	s METAL, CHIP 12K 0.5% 1/10W (2125)
R125	1-216-673-11	s METAL, CHIP 8.2K 0.5% 1/10W
R126	1-216-057-00	s METAL, CHIP 2.2K 5% 1/10W (2125)
R127	1-216-017-00	s METAL, CHIP 47 5% 1/10W (2125)
R128	1-216-025-00	s METAL, CHIP 100 5% 1/10W (2125)
R129	*8 1-216-017-00	s METAL, CHIP 47 5% 1/10W (2125)
	*3 1-216-025-00	s METAL, CHIP 100 5% 1/10W (2125)
R130	1-216-025-00	s METAL, CHIP 100 5% 1/10W (2125)
R131	1-216-025-00	s METAL, CHIP 100 5% 1/10W (2125)
R132	1-216-055-00	s METAL, CHIP 1.8K 5% 1/10W (2125)
R133	1-216-055-00	s METAL, CHIP 1.8K 5% 1/10W (2125)
R134	1-216-639-11	s METAL, CHIP 330 0.5% 1/10W (2125)
R135	1-216-659-11	s METAL, CHIP 2.2K 0.5% 1/10W
R136	1-216-049-00	s METAL, CHIP 1.0K 5% 1/10W (2125)
R137-143	1-216-017-00	s METAL, CHIP 47 5% 1/10W (2125)
R144	*8 1-216-017-00	s METAL, CHIP 47 5% 1/10W (2125)
R145	1-216-049-00	s METAL, CHIP 1.0K 5% 1/10W (2125)
R146	1-216-049-00	s METAL, CHIP 1.0K 5% 1/10W (2125)
R147	1-216-017-00	s METAL, CHIP 47 5% 1/10W (2125)
R148	1-216-049-00	s METAL, CHIP 1.0K 5% 1/10W (2125)
R149	1-216-049-00	s METAL, CHIP 1.0K 5% 1/10W (2125)
R150	1-216-093-00	s METAL, CHIP 68K 5% 1/10W (2125)
R151	1-216-017-00	s METAL, CHIP 47 5% 1/10W (2125)

-----  
 \*3: Board No. suffix 11 or 12  
 \*4: Board No. suffix 12 or higher  
 \*7: Board No. suffix 12 or 13

Ref. No. or Q'ty	Part No.	SP Description
R152	1-216-017-00	s METAL, CHIP 47 5% 1/10W
R153	1-216-049-00	s METAL, CHIP 1.0K 5% 1/10W
R154	*4 1-216-049-00	s METAL, CHIP 1.0K 5% 1/10W
R155	*4 1-216-049-00	s METAL, CHIP 1.0K 5% 1/10W (2125)
R156	1-208-814-11	s METAL, CHIP 22K 0.5% 1/10W (2125)
R157	1-208-814-11	s METAL, CHIP 22K 0.5% 1/10W (2125)
R159	1-208-814-11	s METAL, CHIP 22K 0.5% 1/10W (2125)
R161	*4 1-216-049-00	s METAL, CHIP 1.0K 5% 1/10W (2125)
R162	*4 1-216-089-00	s METAL, CHIP 47K 5% 1/10W (2125)
R163	*8 1-216-057-00	s METAL, CHIP 2.2K 5% 1/10W (2125)
R164	*9 1-216-097-00	s METAL, CHIP 100K 5% 1/10W (2125)
	*7 1-216-073-00	s METAL, CHIP 10K 5% 1/10W (2125)
R165	*8 1-216-049-00	s METAL, CHIP 1.0K 5% 1/10W (2125)
R166	*8 1-208-814-11	s METAL, CHIP 22K 0.5% 1/10W (2125)
R167	*8 1-208-814-11	s METAL, CHIP 22K 0.5% 1/10W (2125)
R169	*8 1-216-017-00	s METAL, CHIP 47 5% 1/10W (2125)
R170	*8 1-216-017-00	s METAL, CHIP 47 5% 1/10W (2125)
R171	*8 1-216-017-00	s METAL, CHIP 47 5% 1/10W (2125)
R172	*8 1-216-057-00	s METAL, CHIP 2.2K 5% 1/10W (2125)
R173	*8 1-216-089-00	s METAL, CHIP 47K 5% 1/10W (2125)
R174	*8 1-216-017-00	s METAL, CHIP 47 5% 1/10W
R175	*9 1-216-065-00	s METAL, CHIP 4.7K 5% 1/10W (2125)
R200	1-216-638-11	s METAL, CHIP 300 0.5% 1/10W (2125)
R201	1-216-025-00	s METAL, CHIP 100 5% 1/10W
R202	1-216-049-00	s METAL, CHIP 1.0K 5% 1/10W (2125)
R203	1-216-017-00	s METAL, CHIP 47 5% 1/10W
R204	1-216-049-00	s METAL, CHIP 1.0K 5% 1/10W (2125)
R206	1-216-639-11	s METAL, CHIP 330 0.5% 1/10W (2125)
R207	1-216-639-11	s METAL, CHIP 330 0.5% 1/10W (2125)
R208	1-216-049-00	s METAL, CHIP 1.0K 5% 1/10W (2125)
R209	*8 1-216-017-00	s METAL, CHIP 47 5% 1/10W
	*3 1-216-025-00	s METAL, CHIP 100 5% 1/10W (2125)
R210	1-216-659-11	s METAL, CHIP 2.2K 0.5% 1/10W (2125)
R211	1-216-649-11	s METAL, CHIP 820 0.5% 1/10W (2125)
R212	1-216-097-00	s METAL, CHIP 100K 5% 1/10W (2125)
R213	1-216-121-00	s METAL, CHIP 1.0M 5% 1/10W (2125)
R214	1-216-057-00	s METAL, CHIP 2.2K 5% 1/10W (2125)
R215	1-216-065-00	s METAL, CHIP 4.7K 5% 1/10W (2125)
R216	1-216-057-00	s METAL, CHIP 2.2K 5% 1/10W (2125)
R217	1-216-061-00	s METAL, CHIP 3.3K 5% 1/10W (2125)
R218	1-216-065-00	s METAL, CHIP 4.7K 5% 1/10W (2125)
R219	1-216-682-11	s METAL, CHIP 20K 0.5% 1/10W (2125)
R220	*8 1-208-812-11	s METAL, CHIP 18K 0.5% 1/10W (2125)
	*3 1-216-679-11	s METAL, CHIP 15K 0.5% 1/10W (2125)
R221	1-216-105-11	s METAL, CHIP 220K 5% 1/10W (2125)
R222	*3 1-216-059-00	s METAL, CHIP 2.7K 5% 1/10W (2125)
R223	*3 1-216-677-11	s METAL, CHIP 12K 0.5% 1/10W (2125)
R224	1-216-673-11	s METAL, CHIP 8.2K 0.5% 1/10W (2125)
R225	1-216-057-00	s METAL, CHIP 2.2K 5% 1/10W (2125)
R226	1-216-017-00	s METAL, CHIP 47 5% 1/10W (2125)
R227	1-216-025-00	s METAL, CHIP 100 5% 1/10W (2125)
R228	1-216-025-00	s METAL, CHIP 100 5% 1/10W (2125)
R229	1-216-017-00	s METAL, CHIP 47 5% 1/10W
R230	1-216-025-00	s METAL, CHIP 100 5% 1/10W
R231	1-216-025-00	s METAL, CHIP 100 5% 1/10W (2125)

-----  
 \*8: Board No. suffix 13 or higher  
 \*9: Board No. suffix 14 or higher

Ref. No. or Q'ty	Part No.	SP Description
R232	1-216-055-00	s METAL, CHIP 1.8K 5% 1/10W (2125)
R233	1-216-055-00	s METAL, CHIP 1.8K 5% 1/10W (2125)
R234	1-216-639-11	s METAL, CHIP 330 0.5% 1/10W (2125)
R235	1-216-659-11	s METAL, CHIP 2.2K 0.5% 1/10W (2125)
R236	*11 1-216-667-11	s METAL, CHIP 4.7K 0.5% 1/10W
	*10 1-216-651-11	s METAL, CHIP 1.0K 0.5% 1/10W
R237-244	1-216-017-00	s METAL, CHIP 47 5% 1/10W (2125)
R245	1-216-049-00	s METAL, CHIP 1.0K 5% 1/10W (2125)
R246	1-216-049-00	s METAL, CHIP 1.0K 5% 1/10W (2125)
R247	*8 1-216-017-00	s METAL, CHIP 47 5% 1/10W (2125)
R252	1-216-049-00	s METAL, CHIP 1.0K 5% 1/10W (2125)
R253	1-216-649-11	s METAL, CHIP 820 0.5% 1/10W (2125)
R254	*1 1-216-295-00	s METAL, CHIP 0 (2125)
R255	*9 1-216-097-00	s METAL, CHIP 100K 5% 1/10W (2125)
	*5 1-216-085-00	s METAL, CHIP 33K 5% 1/10W (2125)
	*2 1-216-073-00	s METAL, CHIP 10K 5% 1/10W (2125)
R256	1-216-089-00	s METAL, CHIP 47K 5% 1/10W (2125)
R257	1-216-017-00	s METAL, CHIP 47 5% 1/10W (2125)
R260	1-216-017-00	s METAL, CHIP 47 5% 1/10W (2125)
R261	1-216-017-00	s METAL, CHIP 47 5% 1/10W (2125)
R264	*8 1-216-057-00	s METAL, CHIP 2.2K 5% 1/10W (2125)
R265	*8 1-216-049-00	s METAL, CHIP 1.0K 5% 1/10W (2125)
R266	*8 1-208-814-11	s METAL, CHIP 22K 0.5% 1/10W (2125)
R267	*8 1-208-814-11	s METAL, CHIP 22K 0.5% 1/10W (2125)
R269	*8 1-216-017-00	s METAL, CHIP 47 5% 1/10W (2125)
R270	*8 1-216-017-00	s METAL, CHIP 47 5% 1/10W (2125)
R271	*8 1-216-017-00	s METAL, CHIP 47 5% 1/10W (2125)
R272	*8 1-216-057-00	s METAL, CHIP 2.2K 5% 1/10W (2125)
R274	*8 1-216-017-00	s METAL, CHIP 47 5% 1/10W (2125)
R275	*9 1-216-065-00	s METAL, CHIP 4.7K 5% 1/10W (2125)
R300	1-216-049-00	s METAL, CHIP 1.0K 5% 1/10W (2125)
R304	1-216-057-00	s METAL, CHIP 2.2K 5% 1/10W (2125)
R305	*4 1-216-055-00	s METAL, CHIP 1.8K 5% 1/10W (2125)
	*1 1-216-063-00	s METAL, CHIP 3.9K 5% 1/10W (2125)
R306	*4 1-216-061-00	s METAL, CHIP 3.3K 5% 1/10W (2125)
	*1 1-216-049-00	s METAL, CHIP 1.0K 5% 1/10W (2125)
R309-311	1-216-073-00	s METAL, CHIP 10K 5% 1/10W (2125)
R313	1-216-025-00	s METAL, CHIP 100 5% 1/10W (2125)
R315	1-216-097-00	s METAL, CHIP 100K 5% 1/10W (2125)
R316	1-216-071-00	s METAL, CHIP 8.2K 5% 1/10W (2125)
R317	1-216-057-00	s METAL, CHIP 2.2K 5% 1/10W (2125)
R318	1-216-041-00	s METAL, CHIP 470 5% 1/10W (2125)
R319	1-216-675-11	s METAL, CHIP 10K 0.5% 1/10W (2125)
R320	1-216-041-00	s METAL, CHIP 470 5% 1/10W (2125)
R321	*1 1-216-081-00	s METAL, CHIP 22K 5% 1/10W (2125)
R322	1-216-133-00	s METAL, CHIP 3.3M 5% 1/10W (2125)
R324	1-216-033-00	s METAL, CHIP 220 5% 1/10W (2125)
R325	*8 1-216-661-11	s METAL, CHIP 2.7K 0.5% 1/10W
	*2 1-216-664-11	s METAL, CHIP 3.6K 0.5% 1/10W (2125)
	*1 1-216-661-11	s METAL, CHIP 2.7K 0.5% 1/10W
R326	1-216-645-11	s METAL, CHIP 560 0.5% 1/10W (2125)
R327	1-216-667-11	s METAL, CHIP 4.7K 0.5% 1/10W
R328	*8 1-216-033-00	s METAL, CHIP 220 5% 1/10W (2125)
	*3 1-216-025-00	s METAL, CHIP 100 5% 1/10W (2125)
R329	1-216-133-00	s METAL, CHIP 3.3M 5% 1/10W (2125)

\*1: Board No. suffix 11 only  
\*2: Board No. suffix 12 only  
\*3: Board No. suffix 11 or 12  
\*4: Board No. suffix 12 or higher  
\*5: Board No. suffix 13 only

Ref. No. or Q'ty	Part No.	SP Description
R330	*8 1-216-033-00	s METAL, CHIP 220 5% 1/10W
	*3 1-216-025-00	s METAL, CHIP 100 5% 1/10W
R331	1-216-667-11	s METAL, CHIP 4.7K 0.5% 1/10W (2125)
R332	1-216-660-11	s METAL, CHIP 2.4K 0.5% 1/10W (2125)
R333	1-216-623-11	s METAL, CHIP 68 0.5% 1/10W
R334	1-216-651-11	s METAL, CHIP 1.0K 0.5% 1/10W (2125)
R335	1-216-675-11	s METAL, CHIP 10K 0.5% 1/10W (2125)
R336	1-208-814-11	s METAL, CHIP 22K 0.5% 1/10W (2125)
R337	1-216-673-11	s METAL, CHIP 8.2K 0.5% 1/10W (2125)
R338	1-216-675-11	s METAL, CHIP 10K 0.5% 1/10W (2125)
R339	1-216-685-11	s METAL, CHIP 27K 0.5% 1/10W (2125)
R340	1-208-812-11	s METAL, CHIP 18K 0.5% 1/10W (2125)
R341	*4 1-216-676-11	s METAL, CHIP 11K 0.5% 1/10W (2125)
	*1 1-216-675-11	s METAL, CHIP 10K 0.5% 1/10W (2125)
R342	1-216-659-11	s METAL, CHIP 2.2K 0.5% 1/10W (2125)
R343	1-208-784-11	s METAL, CHIP 1.2K 0.5% 1/10W (2125)
R344	1-216-121-00	s METAL, CHIP 1.0M 5% 1/10W (2125)
R345	1-216-025-00	s METAL, CHIP 100 5% 1/10W
R346	1-216-679-11	s METAL, CHIP 15K 0.5% 1/10W (2125)
R347	1-216-687-11	s METAL, CHIP 33K 0.5% 1/10W (2125)
R348	1-216-033-00	s METAL, CHIP 220 5% 1/10W (2125)
R349	1-216-675-11	s METAL, CHIP 10K 0.5% 1/10W (2125)
R350	1-208-784-11	s METAL, CHIP 1.2K 0.5% 1/10W (2125)
R351	1-216-057-00	s METAL, CHIP 2.2K 5% 1/10W (2125)
R352	1-216-033-00	s METAL, CHIP 220 5% 1/10W
R353	1-216-025-00	s METAL, CHIP 100 5% 1/10W (2125)
R354	1-216-057-00	s METAL, CHIP 2.2K 5% 1/10W
R355	1-216-033-00	s METAL, CHIP 220 5% 1/10W (2125)
R356	*4 1-216-639-11	s METAL, CHIP 330 0.5% 1/10W (2125)
	*1 1-216-651-11	s METAL, CHIP 1.0K 0.5% 1/10W (2125)
R357	1-216-655-11	s METAL, CHIP 1.5K 0.5% 1/10W (2125)
R358	1-216-057-00	s METAL, CHIP 2.2K 5% 1/10W (2125)
R359	*4 1-216-663-11	s METAL, CHIP 3.3K 0.5% 1/10W (2125)
	*1 1-216-664-11	s METAL, CHIP 3.6K 0.5% 1/10W (2125)
R360	1-216-073-00	s METAL, CHIP 10K 5% 1/10W (2125)
R361	1-216-073-00	s METAL, CHIP 10K 5% 1/10W
R362	1-216-033-00	s METAL, CHIP 220 5% 1/10W (2125)
R363	1-216-085-00	s METAL, CHIP 33K 5% 1/10W (2125)
R364	1-216-662-11	s METAL, CHIP 3.0K 0.5% 1/10W (2125)
R365	1-216-677-11	s METAL, CHIP 12K 0.5% 1/10W (2125)
R366	1-216-049-00	s METAL, CHIP 1.0K 5% 1/10W
R367	1-216-041-00	s METAL, CHIP 470 5% 1/10W (2125)
R368	1-216-057-00	s METAL, CHIP 2.2K 5% 1/10W (2125)
R369	1-216-085-00	s METAL, CHIP 33K 5% 1/10W (2125)
R370	*4 1-216-659-11	s METAL, CHIP 2.2K 0.5% 1/10W (2125)
R371	1-216-025-00	s METAL, CHIP 100 5% 1/10W
R372	*4 1-216-033-00	s METAL, CHIP 220 5% 1/10W (2125)
R373	1-216-061-00	s METAL, CHIP 3.3K 5% 1/10W
R374	1-216-073-00	s METAL, CHIP 10K 5% 1/10W
R375	1-216-659-11	s METAL, CHIP 2.2K 0.5% 1/10W (2125)
R376	1-216-089-00	s METAL, CHIP 47K 5% 1/10W (2125)
R377	1-216-667-11	s METAL, CHIP 4.7K 0.5% 1/10W (2125)
R378	1-216-659-11	s METAL, CHIP 2.2K 0.5% 1/10W (2125)
R379	1-216-025-00	s METAL, CHIP 100 5% 1/10W (2125)
R380	1-216-033-00	s METAL, CHIP 220 5% 1/10W (2125)

\*8: Board No. suffix 13 or higher  
\*9: Board No. suffix 14 or higher  
\*10: Board No. suffix 11 through 14  
\*11: Board No. suffix 15 or higher

Ref. No. or Q'ty	Part No.	SP	Description
R381	*3 1-216-049-00	s	METAL, CHIP 1.0K 5% 1/10W (2125)
R382	1-208-812-11	s	METAL, CHIP 18K 0.5% 1/10W (2125)
R385	1-216-041-00	s	METAL, CHIP 470 5% 1/10W (2125)
R386	*1 1-216-295-00	s	METAL, CHIP 0 (2125)
R389	1-216-017-00	s	METAL, CHIP 47 5% 1/10W (2125)
R390	1-216-295-00	s	METAL, CHIP 0 (2125)
R391	1-216-057-00	s	METAL, CHIP 2.2K 5% 1/10W (2125)
R393	1-216-073-00	s	METAL, CHIP 10K 5% 1/10W (2125)
R400	1-216-017-00	s	METAL, CHIP 47 5% 1/10W (2125)
R401	1-216-089-00	s	METAL, CHIP 47K 5% 1/10W (2125)
R402	1-216-049-00	s	METAL, CHIP 1.0K 5% 1/10W (2125)
R403	1-216-049-00	s	METAL, CHIP 1.0K 5% 1/10W (2125)
R404	1-216-057-00	s	METAL, CHIP 2.2K 5% 1/10W (2125)
R405	1-216-057-00	s	METAL, CHIP 2.2K 5% 1/10W (2125)
R406	1-216-073-00	s	METAL, CHIP 10K 5% 1/10W (2125)
R407	1-216-081-00	s	METAL, CHIP 22K 5% 1/10W (2125)
R408	1-216-061-00	s	METAL, CHIP 3.3K 5% 1/10W (2125)
R409	1-216-061-00	s	METAL, CHIP 3.3K 5% 1/10W (2125)
R410	*3 1-216-057-00	s	METAL, CHIP 2.2K 5% 1/10W (2125)
R411	1-208-814-11	s	METAL, CHIP 22K 0.5% 1/10W (2125)
R412	*8 1-216-073-00	s	METAL, CHIP 10K 5% 1/10W (2125)
	*3 1-216-049-00	s	METAL, CHIP 1.0K 5% 1/10W (2125)
R413	1-216-109-00	s	METAL, CHIP 330K 5% 1/10W (2125)
R414	1-216-057-00	s	METAL, CHIP 2.2K 5% 1/10W (2125)
R415	*8 1-216-081-00	s	METAL, CHIP 22K 5% 1/10W (2125)
	*3 1-216-057-00	s	METAL, CHIP 2.2K 5% 1/10W (2125)
R416	*3 1-216-025-00	s	METAL, CHIP 100 5% 1/10W (2125)
R417	*8 1-216-073-00	s	METAL, CHIP 10K 5% 1/10W (2125)
	*3 1-216-057-00	s	METAL, CHIP 2.2K 5% 1/10W (2125)
R418	*3 1-216-073-00	s	METAL, CHIP 10K 5% 1/10W (2125)
R419	*8 1-216-093-00	s	METAL, CHIP 68K 5% 1/10W (2125)
	*4 1-216-085-00	s	METAL, CHIP 33K 5% 1/10W (2125)
	*1 1-216-097-00	s	METAL, CHIP 100K 5% 1/10W (2125)
R420	1-216-025-00	s	METAL, CHIP 100 5% 1/10W (2125)
R421	*3 1-216-063-00	s	METAL, CHIP 3.9K 5% 1/10W (2125)
R422	*8 1-216-025-00	s	METAL, CHIP 100 5% 1/10W (2125)
	*3 1-216-055-00	s	METAL, CHIP 1.8K 5% 1/10W (2125)
R423	1-216-049-00	s	METAL, CHIP 1.0K 5% 1/10W (2125)
R424	1-208-812-11	s	METAL, CHIP 18K 0.5% 1/10W (2125)
R425	*8 1-216-049-00	s	METAL, CHIP 1.0K 5% 1/10W (2125)
	*3 1-216-057-00	s	METAL, CHIP 2.2K 5% 1/10W (2125)
R426	1-216-667-11	s	METAL, CHIP 4.7K 0.5% 1/10W
R427	*8 1-216-037-00	s	METAL, CHIP 330 5% 1/10W (2125)
	*3 1-216-089-00	s	METAL, CHIP 47K 5% 1/10W (2125)
R428	*4 1-208-789-11	s	METAL, CHIP 2.0K 0.5% 1/10W
	*1 1-216-065-00	s	METAL, CHIP 4.7K 5% 1/10W (2125)
R429	*4 1-216-651-11	s	METAL, CHIP 1.0K 0.5% 1/10W
	*1 1-216-057-00	s	METAL, CHIP 2.2K 5% 1/10W (2125)
R430	*4 1-208-789-11	s	METAL, CHIP 2.0K 0.5% 1/10W
	*1 1-216-061-00	s	METAL, CHIP 3.3K 5% 1/10W (2125)
R431	*4 1-216-667-11	s	METAL, CHIP 4.7K 0.5% 1/10W
	*1 1-216-075-00	s	METAL, CHIP 12K 5% 1/10W (2125)
R432	1-216-065-00	s	METAL, CHIP 4.7K 5% 1/10W (2125)

\*1: Board No. suffix 11 only  
\*2: Board No. suffix 12 only  
\*3: Board No. suffix 11 or 12

Ref. No. or Q'ty	Part No.	SP	Description
R434	1-216-017-00	s	METAL, CHIP 47 5% 1/10W
R435	*8 1-216-033-00	s	METAL, CHIP 220 5% 1/10W
	*3 1-216-621-11	s	METAL, CHIP 56 0.5% 1/10W (2125)
R436	1-216-033-00	s	METAL, CHIP 220 5% 1/10W (2125)
R437	1-216-097-00	s	METAL, CHIP 100K 5% 1/10W (2125)
R438	1-216-017-00	s	METAL, CHIP 47 5% 1/10W (2125)
R439	1-216-065-00	s	METAL, CHIP 4.7K 5% 1/10W (2125)
R440	1-216-049-00	s	METAL, CHIP 1.0K 5% 1/10W (2125)
R441	1-216-073-00	s	METAL, CHIP 10K 5% 1/10W (2125)
R442	*8 1-216-097-00	s	METAL, CHIP 100K 5% 1/10W (2125)
	*3 1-216-685-11	s	METAL, CHIP 27K 0.5% 1/10W (2125)
R444	*8 1-216-017-00	s	METAL, CHIP 47 5% 1/10W (2125)
	*3 1-216-295-00	s	METAL, CHIP 0 (2125)
R445-448	1-216-017-00	s	METAL, CHIP 47 5% 1/10W (2125)
R449	1-216-073-00	s	METAL, CHIP 10K 5% 1/10W (2125)
R450	*8 1-216-671-11	s	METAL, CHIP 6.8K 0.5% 1/10W (2125)
	*3 1-208-803-11	s	METAL, CHIP 7.5K 0.5% 1/10W (2125)
R451	*1 1-216-073-00	s	METAL, CHIP 10K 5% 1/10W (2125)
R452	1-216-073-00	s	METAL, CHIP 10K 5% 1/10W (2125)
R453	1-216-073-00	s	METAL, CHIP 10K 5% 1/10W (2125)
R454	1-216-065-00	s	METAL, CHIP 4.7K 5% 1/10W (2125)
R455	1-216-073-00	s	METAL, CHIP 10K 5% 1/10W (2125)
R456	1-216-295-00	s	METAL, CHIP 0 (2125)
R457	*8 1-216-295-00	s	METAL, CHIP 0 (2125)
R458	*8 1-216-081-00	s	METAL, CHIP 22K 5% 1/10W
R460	*8 1-216-295-00	s	METAL, CHIP 0 (2125)
R463	*9 1-216-295-00	s	METAL, CHIP 0 (2125)
R464	*9 1-216-659-11	s	METAL, CHIP 2.2K 0.5% 1/10W (2125)
R465	*9 1-208-799-11	s	METAL, CHIP 5.1K 0.5% 1/10W (2125)
R466	*9 1-208-799-11	s	METAL, CHIP 5.1K 0.5% 1/10W (2125)
R490	*2 1-216-295-00	s	METAL, CHIP 0 (2125)
R491	*2 1-216-295-00	s	METAL, CHIP 0 (2125)
R500	1-216-097-00	s	METAL, CHIP 100K 5% 1/10W (2125)
R501	1-216-063-00	s	METAL, CHIP 3.9K 5% 1/10W (2125)
R502	1-216-049-00	s	METAL, CHIP 1.0K 5% 1/10W (2125)
R503	1-216-057-00	s	METAL, CHIP 2.2K 5% 1/10W (2125)
R504	1-216-073-00	s	METAL, CHIP 10K 5% 1/10W
R505	1-216-073-00	s	METAL, CHIP 10K 5% 1/10W (2125)
R506	1-216-097-00	s	METAL, CHIP 100K 5% 1/10W (2125)
R507	*4 1-216-678-11	s	METAL, CHIP 13K 0.5% 1/10W (2125)
	*1 1-216-675-11	s	METAL, CHIP 10K 0.5% 1/10W (2125)
R509	1-216-097-00	s	METAL, CHIP 100K 5% 1/10W (2125)
R510	1-208-812-11	s	METAL, CHIP 18K 0.5% 1/10W (2125)
R511	1-208-774-11	s	METAL, CHIP 470 0.5% 1/10W (2125)
R512	1-216-651-11	s	METAL, CHIP 1.0K 0.5% 1/10W (2125)
R513	1-216-675-11	s	METAL, CHIP 10K 0.5% 1/10W (2125)
R515	1-216-675-11	s	METAL, CHIP 10K 0.5% 1/10W (2125)
R516	1-216-025-00	s	METAL, CHIP 100 5% 1/10W (2125)
R517	1-216-057-00	s	METAL, CHIP 2.2K 5% 1/10W (2125)
R518	1-216-041-00	s	METAL, CHIP 470 5% 1/10W (2125)
R519	1-216-675-11	s	METAL, CHIP 10K 0.5% 1/10W (2125)
R520	1-216-041-00	s	METAL, CHIP 470 5% 1/10W (2125)
R521	1-216-041-00	s	METAL, CHIP 470 5% 1/10W (2125)
R522	1-216-675-11	s	METAL, CHIP 10K 0.5% 1/10W (2125)
R523	1-216-675-11	s	METAL, CHIP 10K 0.5% 1/10W (2125)

\*4: Board No. suffix 12 or higher  
\*8: Board No. suffix 13 or higher

Ref. No. or Q'ty	Part No.	SP Description
R524	1-216-033-00	s METAL, CHIP 220 5% 1/10W (2125)
R525	1-216-017-00	s METAL, CHIP 47 5% 1/10W (2125)
R526	1-216-675-11	s METAL, CHIP 10K 0.5% 1/10W (2125)
R527	1-216-660-11	s METAL, CHIP 2.4K 0.5% 1/10W
R528	*8 1-216-033-00	s METAL, CHIP 220 5% 1/10W (2125)
	*3 1-216-025-00	s METAL, CHIP 100 5% 1/10W (2125)
R529	1-216-117-00	s METAL, CHIP 680K 5% 1/10W (2125)
R530	*8 1-216-033-00	s METAL, CHIP 220 5% 1/10W (2125)
	*3 1-216-025-00	s METAL, CHIP 100 5% 1/10W (2125)
R531	*1 1-216-295-00	s METAL, CHIP 0 (2125)
R532	1-216-661-11	s METAL, CHIP 2.7K 0.5% 1/10W
R533	1-216-625-11	s METAL, CHIP 82 0.5% 1/10W (2125)
R534	1-216-651-11	s METAL, CHIP 1.0K 0.5% 1/10W
R535	1-216-675-11	s METAL, CHIP 10K 0.5% 1/10W (2125)
R536	1-208-814-11	s METAL, CHIP 22K 0.5% 1/10W (2125)
R537	1-216-673-11	s METAL, CHIP 8.2K 0.5% 1/10W
R538	1-216-675-11	s METAL, CHIP 10K 0.5% 1/10W
R539	1-216-685-11	s METAL, CHIP 27K 0.5% 1/10W (2125)
R540	1-216-041-00	s METAL, CHIP 470 5% 1/10W (2125)
R541	1-216-691-11	s METAL, CHIP 47K 0.5% 1/10W (2125)
R542	1-216-660-11	s METAL, CHIP 2.4K 0.5% 1/10W
R543	1-216-655-11	s METAL, CHIP 1.5K 0.5% 1/10W
R544	1-216-121-00	s METAL, CHIP 1.0M 5% 1/10W (2125)
R545	1-216-041-00	s METAL, CHIP 470 5% 1/10W (2125)
R546	1-216-661-11	s METAL, CHIP 2.7K 0.5% 1/10W (2125)
R547	1-216-687-11	s METAL, CHIP 33K 0.5% 1/10W (2125)
R548	1-216-033-00	s METAL, CHIP 220 5% 1/10W (2125)
R549	1-216-675-11	s METAL, CHIP 10K 0.5% 1/10W (2125)
R550	1-216-651-11	s METAL, CHIP 1.0K 0.5% 1/10W
R551	1-216-057-00	s METAL, CHIP 2.2K 5% 1/10W (2125)
R552	1-216-033-00	s METAL, CHIP 220 5% 1/10W (2125)
R553	1-216-025-00	s METAL, CHIP 100 5% 1/10W (2125)
R554	1-216-057-00	s METAL, CHIP 2.2K 5% 1/10W (2125)
R555	1-216-033-00	s METAL, CHIP 220 5% 1/10W (2125)
R556	*4 1-216-639-11	s METAL, CHIP 330 0.5% 1/10W
	*1 1-216-651-11	s METAL, CHIP 1.0K 0.5% 1/10W
R557	*8 1-216-655-11	s METAL, CHIP 1.5K 0.5% 1/10W
	*2 1-216-661-11	s METAL, CHIP 2.7K 0.5% 1/10W
	*1 1-216-655-11	s METAL, CHIP 1.5K 0.5% 1/10W
R558	1-216-295-00	s METAL, CHIP 0 (2125)
R559	*4 1-216-663-11	s METAL, CHIP 3.3K 0.5% 1/10W (2125)
	*1 1-216-664-11	s METAL, CHIP 3.6K 0.5% 1/10W
R560	1-216-073-00	s METAL, CHIP 10K 5% 1/10W (2125)
R561	1-216-073-00	s METAL, CHIP 10K 5% 1/10W (2125)
R562	1-216-033-00	s METAL, CHIP 220 5% 1/10W (2125)
R563	1-216-085-00	s METAL, CHIP 33K 5% 1/10W (2125)
R564	1-216-662-11	s METAL, CHIP 3.0K 0.5% 1/10W
R565	1-216-677-11	s METAL, CHIP 12K 0.5% 1/10W (2125)
R566	1-216-049-00	s METAL, CHIP 1.0K 5% 1/10W (2125)
R567	*4 1-216-033-00	s METAL, CHIP 220 5% 1/10W (2125)
R568	*4 1-216-295-00	s METAL, CHIP 0 (2125)
R569	1-216-085-00	s METAL, CHIP 33K 5% 1/10W (2125)
R570	*4 1-216-659-11	s METAL, CHIP 2.2K 0.5% 1/10W (2125)
R571	1-216-675-11	s METAL, CHIP 10K 0.5% 1/10W (2125)

-----  
\*1: Board No. suffix 11 only  
\*2: Board No. suffix 12 only  
\*3: Board No. suffix 11 or 12

Ref. No. or Q'ty	Part No.	SP Description
R572	1-216-675-11	s METAL, CHIP 10K 0.5% 1/10W (2125)
R573	1-216-061-00	s METAL, CHIP 3.3K 5% 1/10W (2125)
R574	1-216-073-00	s METAL, CHIP 10K 5% 1/10W
R575	1-216-659-11	s METAL, CHIP 2.2K 0.5% 1/10W (2125)
R576	1-216-089-00	s METAL, CHIP 47K 5% 1/10W (2125)
R577	1-216-667-11	s METAL, CHIP 4.7K 0.5% 1/10W (2125)
R578	1-216-647-11	s METAL, CHIP 680 0.5% 1/10W (2125)
R579	1-216-025-00	s METAL, CHIP 100 5% 1/10W
R580	1-216-033-00	s METAL, CHIP 220 5% 1/10W (2125)
R581	1-216-133-00	s METAL, CHIP 3.3M 5% 1/10W (2125)
R582	*4 1-216-677-11	s METAL, CHIP 12K 0.5% 1/10W (2125)
	*1 1-208-812-11	s METAL, CHIP 18K 0.5% 1/10W (2125)
R585	1-216-057-00	s METAL, CHIP 2.2K 5% 1/10W (2125)
R596	1-216-065-00	s METAL, CHIP 4.7K 5% 1/10W (2125)
R597	1-216-073-00	s METAL, CHIP 10K 5% 1/10W
R600	1-216-017-00	s METAL, CHIP 47 5% 1/10W
R601	1-216-089-00	s METAL, CHIP 47K 5% 1/10W
R602	1-216-049-00	s METAL, CHIP 1.0K 5% 1/10W (2125)
R603	*8 1-216-073-00	s METAL, CHIP 10K 5% 1/10W
	*3 1-216-049-00	s METAL, CHIP 1.0K 5% 1/10W (2125)
R604	1-216-057-00	s METAL, CHIP 2.2K 5% 1/10W (2125)
R605	1-216-057-00	s METAL, CHIP 2.2K 5% 1/10W (2125)
R606	1-216-073-00	s METAL, CHIP 10K 5% 1/10W
R607	1-216-081-00	s METAL, CHIP 22K 5% 1/10W
R608	1-216-061-00	s METAL, CHIP 3.3K 5% 1/10W
R609	1-216-061-00	s METAL, CHIP 3.3K 5% 1/10W (2125)
R610	*3 1-216-057-00	s METAL, CHIP 2.2K 5% 1/10W (2125)
R611	1-208-814-11	s METAL, CHIP 22K 0.5% 1/10W (2125)
R612	*8 1-216-069-00	s METAL, CHIP 6.8K 5% 1/10W (2125)
	*3 1-216-053-00	s METAL, CHIP 1.5K 5% 1/10W (2125)
R613	1-216-109-00	s METAL, CHIP 330K 5% 1/10W (2125)
R614	1-216-057-00	s METAL, CHIP 2.2K 5% 1/10W (2125)
R615	*3 1-216-025-00	s METAL, CHIP 100 5% 1/10W (2125)
R617	*8 1-216-073-00	s METAL, CHIP 10K 5% 1/10W (2125)
	*3 1-216-059-00	s METAL, CHIP 2.7K 5% 1/10W (2125)
R618	1-216-073-00	s METAL, CHIP 10K 5% 1/10W (2125)
R619	*8 1-216-093-00	s METAL, CHIP 68K 5% 1/10W
	*3 1-216-095-00	s METAL, CHIP 82K 5% 1/10W
R620	1-216-025-00	s METAL, CHIP 100 5% 1/10W
R621	*8 1-216-061-00	s METAL, CHIP 3.3K 5% 1/10W (2125)
	*3 1-216-063-00	s METAL, CHIP 3.9K 5% 1/10W (2125)
R622	*8 1-216-049-00	s METAL, CHIP 1.0K 5% 1/10W
	*3 1-216-055-00	s METAL, CHIP 1.8K 5% 1/10W (2125)
R623	1-216-049-00	s METAL, CHIP 1.0K 5% 1/10W (2125)
R624	1-208-812-11	s METAL, CHIP 18K 0.5% 1/10W
R625	*8 1-216-049-00	s METAL, CHIP 1.0K 5% 1/10W (2125)
	*3 1-216-057-00	s METAL, CHIP 2.2K 5% 1/10W (2125)
R626	1-216-667-11	s METAL, CHIP 4.7K 0.5% 1/10W (2125)
R627	*8 1-216-037-00	s METAL, CHIP 330 5% 1/10W
	*3 1-216-089-00	s METAL, CHIP 47K 5% 1/10W (2125)
R628	*4 1-208-789-11	s METAL, CHIP 2.0K 0.5% 1/10W (2125)
	*1 1-216-065-00	s METAL, CHIP 4.7K 5% 1/10W (2125)
R629	*4 1-216-651-11	s METAL, CHIP 1.0K 0.5% 1/10W (2125)
	*1 1-216-057-00	s METAL, CHIP 2.2K 5% 1/10W (2125)

-----  
\*4: Board No. suffix 12 or higher  
\*6: Board No. suffix 11 through 13



(TBC-24 BOARD for DVW-A500P/A510P/CA510P, suffix 11 through 15)

TR-78 BOARD

Ref. No. or Q'ty	Part No.	SP Description
R630	*4 1-208-789-11	s METAL, CHIP 2.0K 0.5% 1/10W
	*1 1-216-061-00	s METAL, CHIP 3.3K 5% 1/10W (2125)
R631	*4 1-216-667-11	s METAL, CHIP 4.7K 0.5% 1/10W
	*1 1-216-075-00	s METAL, CHIP 12K 5% 1/10W (2125)
R632	1-216-065-00	s METAL, CHIP 4.7K 5% 1/10W (2125)
R633	1-216-295-00	s METAL, CHIP 0 (2125)
R634	1-216-017-00	s METAL, CHIP 47 5% 1/10W (2125)
R635	*8 1-216-033-00	s METAL, CHIP 220 5% 1/10W (2125)
	*3 1-216-621-11	s METAL, CHIP 56 0.5% 1/10W (2125)
R636	1-216-033-00	s METAL, CHIP 220 5% 1/10W (2125)
R637	1-216-097-00	s METAL, CHIP 100K 5% 1/10W (2125)
R638	1-216-017-00	s METAL, CHIP 47 5% 1/10W (2125)
R640	1-216-049-00	s METAL, CHIP 1.0K 5% 1/10W (2125)
R641	1-216-073-00	s METAL, CHIP 10K 5% 1/10W (2125)
R642	*8 1-216-097-00	s METAL, CHIP 100K 5% 1/10W (2125)
	*3 1-216-685-11	s METAL, CHIP 27K 0.5% 1/10W (2125)
R644	*8 1-216-017-00	s METAL, CHIP 47 5% 1/10W (2125)
	*3 1-216-295-00	s METAL, CHIP 0 (2125)
R645	1-216-017-00	s METAL, CHIP 47 5% 1/10W (2125)
R646	1-216-017-00	s METAL, CHIP 47 5% 1/10W (2125)
R647	1-216-049-00	s METAL, CHIP 1.0K 5% 1/10W (2125)
R648	1-216-017-00	s METAL, CHIP 47 5% 1/10W (2125)
R649	1-216-049-00	s METAL, CHIP 1.0K 5% 1/10W (2125)
R651	1-216-017-00	s METAL, CHIP 47 5% 1/10W (2125)
R652	*8 1-216-057-00	s METAL, CHIP 2.2K 5% 1/10W (2125)
R653	*8 1-216-675-11	s METAL, CHIP 10K 0.5% 1/10W (2125)
R654	*8 1-216-675-11	s METAL, CHIP 10K 0.5% 1/10W
R655	*8 1-208-812-11	s METAL, CHIP 18K 0.5% 1/10W (2125)
R656	*8 1-216-081-00	s METAL, CHIP 22K 5% 1/10W (2125)
R657	*8 1-216-684-11	s METAL, CHIP 24K 0.5% 1/10W
R658	*8 1-216-295-00	s METAL, CHIP 0 (2125)
R660	*8 1-216-061-00	s METAL, CHIP 3.3K 5% 1/10W (2125)
R661	*9 1-216-295-00	s METAL, CHIP 0 (2125)
R662	*9 1-216-089-00	s METAL, CHIP 47K 5% 1/10W (2125)
R690	*2 1-216-295-00	s METAL, CHIP 0 (2125)
R691	*2 1-216-295-00	s METAL, CHIP 0 (2125)
RV101	1-241-781-11	s RES, ADJ, CERMET 470
RV102	*3 1-241-766-11	s RES, ADJ, CERMET 47K
RV201	1-241-781-11	s RES, ADJ, CERMET 470
RV202	*3 1-241-766-11	s RES, ADJ, CERMET 47K
RV300	1-241-785-11	s RES, ADJ, CERMET 10K
RV303	1-241-762-11	s RES, ADJ, CERMET 2.2K
RV400	*6 1-241-763-11	s RES, ADJ, CERMET 4.7K
RV401	1-241-766-11	s RES, ADJ, CERMET 47K
RV402	*6 1-241-764-11	s RES, ADJ, CERMET 10K
RV404	*1 1-241-762-11	s RES, ADJ, CERMET 2.2K
RV500	1-241-784-11	s RES, ADJ, CERMET 4.7K
RV501	1-241-785-11	s RES, ADJ, CERMET 10K
RV502	1-241-761-11	s RES, ADJ, CERMET 1K
RV503	1-241-762-11	s RES, ADJ, CERMET 2.2K
RV504	*8 1-241-785-11	s RES, ADJ, CERMET 10K
RV601	1-241-766-11	s RES, ADJ, CERMET 47K
RV604	*1 1-241-762-11	s RES, ADJ, CERMET 2.2K
TH301	*1 1-809-308-21	s THERMISTOR, CHIP 3.3K-OHM

-----  
 \*8: Board No. suffix 13 or higher  
 \*9: Board No. suffix 14 or higher

Ref. No. or Q'ty	Part No.	SP Description
lpc	7-685-902-01	s SCREW +PTPWH 2.6x5 (TYPE2)
C1-3	1-163-038-00	s CERAMIC, CHIP 0.1uF 25V (2125)
CN1	1-506-472-11	s CONNECTOR, 7P, MALE
CP1	8-745-001-07	s DME DM-230-1
IC1	8-759-112-66	s IC UPC812G2
R1,2	1-216-079-00	s METAL, CHIP 18K 5% 1/10W (2125)
R3	1-216-023-00	s METAL, CHIP 82 5% 1/10W (2125)
R4,5	1-216-081-00	s METAL, CHIP 22K 5% 1/10W (2125)
R6,7	1-216-109-00	s METAL, CHIP 330K 5% 1/10W (2125)
R8	1-216-053-00	s METAL, CHIP 1.5K 5% 1/10W (2125)
R9	1-216-071-00	s METAL, CHIP 8.2K 5% 1/10W (2125)
RV1	1-237-036-11	s RES, ADJ, CERMET 10K
RV2	1-237-037-11	s RES, ADJ, CERMET 20K

TR-79 BOARD

Ref. No. or Q'ty	Part No.	SP Description
lpc	A-8276-628-A	o MOUNTED CIRCUIT BOARD, TR-79
lpc	3-180-861-01	o HOLDER, DME
CN1	1-564-007-11	s CONNECTOR, 8P, MALE
CP1	8-745-001-07	s DME DM-230-1
PH1,2	8-719-939-05	s PHOTO-INTERRUPTER GP-1S54
R1,2	1-249-409-11	s CARBON 220 5% 1/4W

VI-2 BOARD

Ref. No. or Q'ty	Part No.	SP Description
C1,2,5	1-164-489-11	s CERAMIC, CHIP 0.22uF 10% 16V (2125)
CN1	1-564-947-11	s CONNECTOR, 2P, MALE
IC1	8-759-032-23	s IC MC74HC74AF
IC2	8-759-032-32	s IC MC74HC132AF
IC3	8-759-032-20	s IC MC74HC32AF
R1	1-218-770-11	s METAL, CHIP 560K 0.5% 1/10W (2125)
R2	1-216-295-00	s METAL, CHIP 0 (2125)

-----  
VPR-1 BOARD suffix 18 or higher  
-----

(VPR-1 BOARD suffix 18 or higher)

\*a: Lot No. 909-0A5

Ref. No.

Ref. No. or Q'ty	Part No.	SP Description
1pc	A-8275-268-C	o MOUNTED CIRCUIT BOARD, VPR-1APG
1pc	3-179-084-01	s LEVER(R),PRINTED C,BOARD
1pc	3-179-085-01	s LEVER(L),PRINTED C.BOARD
C50	1-163-037-11	s CAPACITOR,CHIP CERAMIC 0.022MF
C51	1-163-037-11	s CAPACITOR,CHIP CERAMIC 0.022MF
C52	1-163-037-11	s CAPACITOR,CHIP CERAMIC 0.022MF
C53	1-163-037-11	s CAPACITOR,CHIP CERAMIC 0.022MF
C54	1-163-037-11	s CAPACITOR,CHIP CERAMIC 0.022MF
C55	1-163-037-11	s CAPACITOR,CHIP CERAMIC 0.022MF
C56	1-163-037-11	s CAPACITOR,CHIP CERAMIC 0.022MF
C57	1-163-037-11	s CAPACITOR,CHIP CERAMIC 0.022MF
C58	1-163-037-11	s CAPACITOR,CHIP CERAMIC 0.022MF
C59	1-163-037-11	s CAPACITOR,CHIP CERAMIC 0.022MF
C60	1-163-037-11	s CAPACITOR,CHIP CERAMIC 0.022MF
C61	1-164-690-11	s CAPACITOR ,CERAMIC 2200PF CH
C62	1-163-035-00	s CAPACITOR,CHIP CERAMIC 0.047MF
C63	1-163-037-11	s CAPACITOR,CHIP CERAMIC 0.022MF
C64	1-163-037-11	s CAPACITOR,CHIP CERAMIC 0.022MF
C65	1-163-037-11	s CAPACITOR,CHIP CERAMIC 0.022MF
C66	1-163-037-11	s CAPACITOR,CHIP CERAMIC 0.022MF
C67	1-163-037-11	s CAPACITOR,CHIP CERAMIC 0.022MF
C68	1-163-037-11	s CAPACITOR,CHIP CERAMIC 0.022MF
C69	1-163-037-11	s CAPACITOR,CHIP CERAMIC 0.022MF
C70	1-163-037-11	s CAPACITOR,CHIP CERAMIC 0.022MF
C71	1-163-037-11	s CAPACITOR,CHIP CERAMIC 0.022MF
C72	1-163-037-11	s CAPACITOR,CHIP CERAMIC 0.022MF
C73	1-163-037-11	s CAPACITOR,CHIP CERAMIC 0.022MF
C74	1-104-920-11	s CAPACITOR TANTALUM 4.7MF/35V
C75	1-163-251-11	s CAPACITOR CERAMIC 100PF/50V
C76	1-111-253-11	s CAPACITOR TANTALUM 100MF/6.3V
C77	1-104-920-11	s CAPACITOR TANTALUM 4.7MF/35V
C78	1-163-112-00	s CAPACITOR,CHIP CERAMIC 62PF
C79	1-111-253-11	s CAPACITOR TANTALUM 100MF/6.3V
C100	1-163-037-11	s CAPACITOR,CHIP CERAMIC 0.022MF
C101	1-126-933-11	s CAPACITOR,ELECT 100MF/16V
C102	1-126-933-11	s CAPACITOR,ELECT 100MF/16V
C103	1-163-037-11	s CAPACITOR,CHIP CERAMIC 0.022MF
C104	1-163-037-11	s CAPACITOR,CHIP CERAMIC 0.022MF
C105	1-127-517-11	s CAPACITOR,ELECT 150MF/16V
C106	1-127-517-11	s CAPACITOR,ELECT 150MF/16V
C107	1-127-517-11	s CAPACITOR,ELECT 150MF/16V
C108	1-163-037-11	s CAPACITOR,CHIP CERAMIC 0.022MF
C109	1-127-517-11	s CAPACITOR,ELECT 150MF/16V
C110	1-127-517-11	s CAPACITOR,ELECT 150MF/16V
C111	1-127-517-11	s CAPACITOR,ELECT 150MF/16V
C112	1-163-037-11	s CAPACITOR,CHIP CERAMIC 0.022MF
C113	1-163-037-11	s CAPACITOR,CHIP CERAMIC 0.022MF
C114	1-163-037-11	s CAPACITOR,CHIP CERAMIC 0.022MF
C115	1-163-037-11	s CAPACITOR,CHIP CERAMIC 0.022MF
C116	1-163-037-11	s CAPACITOR,CHIP CERAMIC 0.022MF
C117	1-163-243-11	s CAPACITOR CHIP CERAMIC 47PF/50
C118	1-163-259-91	s CAPACITOR,CHIP CERAMIC 220PF
C119	1-163-021-91	s CAPACITOR, CERAMIC 0.01MF/50V
C120	1-163-133-00	s CAPACITOR,CHIP CERAMIC 470PF
C121	1-163-259-91	s CAPACITOR,CHIP CERAMIC 220PF

or Q'ty Part No. SP Description

C122	1-163-255-91	s CAPACITOR,CHIP CERAMIC 150PF
C123	1-163-038-91	s CAPACITOR, CERAMIC 0.1MF/25V
C124	1-163-239-11	s CAPACITOR,CHIP CERAMIC33PF/50V
C125	1-163-259-91	s CAPACITOR,CHIP CERAMIC 220PF
C126	1-163-037-11	s CAPACITOR,CHIP CERAMIC 0.022MF
C127	1-163-038-91	s CAPACITOR, CERAMIC 0.1MF/25V
C129	1-163-243-11	s CAPACITOR CHIP CERAMIC 47PF/50
C130	1-163-037-11	s CAPACITOR,CHIP CERAMIC 0.022MF
C131	1-163-037-11	s CAPACITOR,CHIP CERAMIC 0.022MF
C132	1-163-037-11	s CAPACITOR,CHIP CERAMIC 0.022MF
C133	1-163-037-11	s CAPACITOR,CHIP CERAMIC 0.022MF
C134	1-163-021-91	s CAPACITOR, CERAMIC 0.01MF/50V
C135	1-163-037-11	s CAPACITOR,CHIP CERAMIC 0.022MF
C136	1-163-231-11	s CAPACITOR,CHIP CERAMIC15PF/50V
C137	1-163-127-00	s CAPACITOR,CHIP CERAMIC 270PF
C138	1-163-251-11	s CAPACITOR CERAMIC 100PF/50V
C139	1-163-037-11	s CAPACITOR,CHIP CERAMIC 0.022MF
C140	1-163-224-11	s CAPACITOR,CHIP CERAMIC 7PF(M-)
C141	1-163-255-91	s CAPACITOR,CHIP CERAMIC 150PF
C142	1-163-127-00	s CAPACITOR,CHIP CERAMIC 270PF
C143	1-163-037-11	s CAPACITOR,CHIP CERAMIC 0.022MF
C144	1-163-255-91	s CAPACITOR,CHIP CERAMIC 150PF
C145	1-163-037-11	s CAPACITOR,CHIP CERAMIC 0.022MF
C146	1-135-072-21	s CAPACITOR,TANTALUM 0.22MF/35V
C147	1-163-037-11	s CAPACITOR,CHIP CERAMIC 0.022MF
C148	1-104-559-11	s CAPACITOR FILM 0.047MF/16V
C149	1-135-072-21	s CAPACITOR,TANTALUM 0.22MF/35V
C150	1-163-037-11	s CAPACITOR,CHIP CERAMIC 0.022MF
C151	1-135-072-21	s CAPACITOR,TANTALUM 0.22MF/35V
C152	1-104-920-11	s CAPACITOR TANTALUM 4.7MF/35V
C153	1-104-920-11	s CAPACITOR TANTALUM 4.7MF/35V
C154	1-104-920-11	s CAPACITOR TANTALUM 4.7MF/35V
C155	1-163-037-11	s CAPACITOR,CHIP CERAMIC 0.022MF
C156	1-163-037-11	s CAPACITOR,CHIP CERAMIC 0.022MF
C157	1-163-037-11	s CAPACITOR,CHIP CERAMIC 0.022MF
C158	1-135-216-11	s CAPACITOR TANTATUM 10MF/10V
C159	1-135-216-11	s CAPACITOR TANTATUM 10MF/10V
C160	1-135-216-11	s CAPACITOR TANTATUM 10MF/10V
C161	1-163-037-11	s CAPACITOR,CHIP CERAMIC 0.022MF
C162	1-163-037-11	s CAPACITOR,CHIP CERAMIC 0.022MF
C163	1-126-964-11	s CAPACITOR, ELECT 10MF/50V
C164	1-126-964-11	s CAPACITOR, ELECT 10MF/50V
C165	1-126-964-11	s CAPACITOR, ELECT 10MF/50V
C166	1-163-037-11	s CAPACITOR,CHIP CERAMIC 0.022MF
C167	1-127-516-11	s CAPACITOR,ELECT (SOLID)220MF
C168	1-163-243-11	s CAPACITOR CHIP CERAMIC 47PF/50
C169	1-163-021-91	s CAPACITOR, CERAMIC 0.01MF/50V
C170	1-163-251-11	s CAPACITOR CERAMIC 100PF/50V
C171	1-163-037-11	s CAPACITOR,CHIP CERAMIC 0.022MF
C172	1-163-243-11	s CAPACITOR CHIP CERAMIC 47PF/50
C173	1-163-021-91	s CAPACITOR, CERAMIC 0.01MF/50V
C174	1-163-038-91	s CAPACITOR, CERAMIC 0.1MF/25V
C175	1-163-243-11	s CAPACITOR CHIP CERAMIC 47PF/50
C176	1-163-038-91	s CAPACITOR, CERAMIC 0.1MF/25V
C177	1-163-037-11	s CAPACITOR,CHIP CERAMIC 0.022MF
C178	1-163-037-11	s CAPACITOR,CHIP CERAMIC 0.022MF
C179	1-127-516-11	s CAPACITOR,ELECT (SOLID)220MF
C180	1-163-037-11	s CAPACITOR,CHIP CERAMIC 0.022MF
C181	1-163-037-11	s CAPACITOR,CHIP CERAMIC 0.022MF

(VPR-1 BOARD suffix 18 or higher)

Ref. No. or Q'ty	Part No.	SP	Description
C182	1-163-038-91	s	CAPACITOR, CERAMIC 0.1MF/25V
C183	1-163-251-11	s	CAPACITOR CERAMIC 100PF/50V
C184	1-163-037-11	s	CAPACITOR,CHIP CERAMIC 0.022MF
C185	1-163-038-91	s	CAPACITOR, CERAMIC 0.1MF/25V
C186	1-163-037-11	s	CAPACITOR,CHIP CERAMIC 0.022MF
C187	1-163-038-91	s	CAPACITOR, CERAMIC 0.1MF/25V
C188	1-163-037-11	s	CAPACITOR,CHIP CERAMIC 0.022MF
C189	1-163-038-91	s	CAPACITOR, CERAMIC 0.1MF/25V
C190	1-163-251-11	s	CAPACITOR CERAMIC 100PF/50V
C191	1-163-251-11	s	CAPACITOR CERAMIC 100PF/50V
C192	1-163-133-00	s	CAPACITOR,CHIP CERAMIC 470PF
C193	1-163-037-11	s	CAPACITOR,CHIP CERAMIC 0.022MF
C194	1-163-037-11	s	CAPACITOR,CHIP CERAMIC 0.022MF
C195	1-163-038-91	s	CAPACITOR, CERAMIC 0.1MF/25V
C196	1-163-038-91	s	CAPACITOR, CERAMIC 0.1MF/25V
C197	1-163-037-11	s	CAPACITOR,CHIP CERAMIC 0.022MF
C198	1-163-037-11	s	CAPACITOR,CHIP CERAMIC 0.022MF
C199	1-163-037-11	s	CAPACITOR,CHIP CERAMIC 0.022MF
C200	1-163-037-11	s	CAPACITOR,CHIP CERAMIC 0.022MF
C201	1-163-037-11	s	CAPACITOR,CHIP CERAMIC 0.022MF
C203	1-163-037-11	s	CAPACITOR,CHIP CERAMIC 0.022MF
C204	1-163-037-11	s	CAPACITOR,CHIP CERAMIC 0.022MF
C205	1-163-235-11	s	CAPACITOR,CHIP CERAMIC22PF/50V
C206	1-163-239-11	s	CAPACITOR,CHIP CERAMIC33PF/50V
C207	1-163-037-11	s	CAPACITOR,CHIP CERAMIC 0.022MF
C208	1-163-037-11	s	CAPACITOR,CHIP CERAMIC 0.022MF
C209	1-163-235-11	s	CAPACITOR,CHIP CERAMIC22PF/50V
C210	1-163-239-11	s	CAPACITOR,CHIP CERAMIC33PF/50V
C211	1-163-037-11	s	CAPACITOR,CHIP CERAMIC 0.022MF
C212	1-163-037-11	s	CAPACITOR,CHIP CERAMIC 0.022MF
C213	1-163-133-00	s	CAPACITOR,CHIP CERAMIC 470PF
C214	1-163-037-11	s	CAPACITOR,CHIP CERAMIC 0.022MF
C215	1-163-037-11	s	CAPACITOR,CHIP CERAMIC 0.022MF
C216	1-163-037-11	s	CAPACITOR,CHIP CERAMIC 0.022MF
C217	1-163-037-11	s	CAPACITOR,CHIP CERAMIC 0.022MF
C218	1-163-037-11	s	CAPACITOR,CHIP CERAMIC 0.022MF
C219	1-163-037-11	s	CAPACITOR,CHIP CERAMIC 0.022MF
C220	1-163-037-11	s	CAPACITOR,CHIP CERAMIC 0.022MF
C221	1-163-037-11	s	CAPACITOR,CHIP CERAMIC 0.022MF
C222	1-163-037-11	s	CAPACITOR,CHIP CERAMIC 0.022MF
C223	1-163-037-11	s	CAPACITOR,CHIP CERAMIC 0.022MF
C224	1-163-037-11	s	CAPACITOR,CHIP CERAMIC 0.022MF
C225	1-163-037-11	s	CAPACITOR,CHIP CERAMIC 0.022MF
C227	1-163-037-11	s	CAPACITOR,CHIP CERAMIC 0.022MF
C228	1-163-037-11	s	CAPACITOR,CHIP CERAMIC 0.022MF
C231	1-163-037-11	s	CAPACITOR,CHIP CERAMIC 0.022MF
C235	1-163-037-11	s	CAPACITOR,CHIP CERAMIC 0.022MF
C240	1-135-070-00	s	CAPACITOR TANTALUM 0.1MF/35V
C241	1-135-070-00	s	CAPACITOR TANTALUM 0.1MF/35V
C242	1-135-070-00	s	CAPACITOR TANTALUM 0.1MF/35V
C243	1-163-241-11	s	CAPACITOR CERAMIC 39PF/50 (2012
C300	1-126-964-11	s	CAPACITOR, ELECT 10MF/50V
C301	1-126-964-11	s	CAPACITOR, ELECT 10MF/50V
C302	1-126-964-11	s	CAPACITOR, ELECT 10MF/50V
C303	1-126-964-11	s	CAPACITOR, ELECT 10MF/50V
C304	1-126-964-11	s	CAPACITOR, ELECT 10MF/50V
C306	1-163-021-91	s	CAPACITOR, CERAMIC 0.01MF/50V
C307	1-163-021-91	s	CAPACITOR, CERAMIC 0.01MF/50V
C308	1-163-021-91	s	CAPACITOR, CERAMIC 0.01MF/50V

(VPR-1 BOARD suffix 18 or higher)

Ref. No. or Q'ty	Part No.	SP	Description
C309	1-163-021-91	s	CAPACITOR, CERAMIC 0.01MF/50V
C310	1-163-021-91	s	CAPACITOR, CERAMIC 0.01MF/50V
C312	1-126-933-11	s	CAPACITOR,ELECT 100MF/16V
C314	1-163-037-11	s	CAPACITOR,CHIP CERAMIC 0.022MF
C315	1-163-037-11	s	CAPACITOR,CHIP CERAMIC 0.022MF
C316	1-163-037-11	s	CAPACITOR,CHIP CERAMIC 0.022MF
C317	1-163-037-11	s	CAPACITOR,CHIP CERAMIC 0.022MF
C320	1-163-251-11	s	CAPACITOR CERAMIC 100PF/50V
C321	1-135-177-21	s	CAPACITOR TANTALUM 1MF/25V
C322	1-163-037-11	s	CAPACITOR,CHIP CERAMIC 0.022MF
C326	1-126-933-11	s	CAPACITOR,ELECT 100MF/16V
C327	1-163-037-11	s	CAPACITOR,CHIP CERAMIC 0.022MF
C329	1-163-037-11	s	CAPACITOR,CHIP CERAMIC 0.022MF
C330	1-126-933-11	s	CAPACITOR,ELECT 100MF/16V
C331	1-163-037-11	s	CAPACITOR,CHIP CERAMIC 0.022MF
C332	1-163-037-11	s	CAPACITOR,CHIP CERAMIC 0.022MF
C333	1-163-037-11	s	CAPACITOR,CHIP CERAMIC 0.022MF
C334	1-163-037-11	s	CAPACITOR,CHIP CERAMIC 0.022MF
C336	1-126-964-11	s	CAPACITOR, ELECT 10MF/50V
C337	1-126-964-11	s	CAPACITOR, ELECT 10MF/50V
C339	1-163-021-91	s	CAPACITOR, CERAMIC 0.01MF/50V
C340	1-163-021-91	s	CAPACITOR, CERAMIC 0.01MF/50V
C500	1-126-964-11	s	CAPACITOR, ELECT 10MF/50V
C501	1-126-964-11	s	CAPACITOR, ELECT 10MF/50V
C502	1-126-964-11	s	CAPACITOR, ELECT 10MF/50V
C503	1-126-964-11	s	CAPACITOR, ELECT 10MF/50V
C504	1-163-021-91	s	CAPACITOR, CERAMIC 0.01MF/50V
C505	1-163-021-91	s	CAPACITOR, CERAMIC 0.01MF/50V
C506	1-163-021-91	s	CAPACITOR, CERAMIC 0.01MF/50V
C507	1-163-021-91	s	CAPACITOR, CERAMIC 0.01MF/50V
C508	1-163-037-11	s	CAPACITOR,CHIP CERAMIC 0.022MF
C509	1-163-037-11	s	CAPACITOR,CHIP CERAMIC 0.022MF
C510	1-163-037-11	s	CAPACITOR,CHIP CERAMIC 0.022MF
C511	1-163-037-11	s	CAPACITOR,CHIP CERAMIC 0.022MF
C512	1-126-933-11	s	CAPACITOR,ELECT 100MF/16V
C513	1-163-037-11	s	CAPACITOR,CHIP CERAMIC 0.022MF
C514	1-163-037-11	s	CAPACITOR,CHIP CERAMIC 0.022MF
C515	1-163-037-11	s	CAPACITOR,CHIP CERAMIC 0.022MF
C516	1-163-037-11	s	CAPACITOR,CHIP CERAMIC 0.022MF
C517	1-163-037-11	s	CAPACITOR,CHIP CERAMIC 0.022MF
C518	1-163-037-11	s	CAPACITOR,CHIP CERAMIC 0.022MF
C519	1-163-037-11	s	CAPACITOR,CHIP CERAMIC 0.022MF
C520	1-163-037-11	s	CAPACITOR,CHIP CERAMIC 0.022MF
C521	1-163-037-11	s	CAPACITOR,CHIP CERAMIC 0.022MF
C523	1-163-037-11	s	CAPACITOR,CHIP CERAMIC 0.022MF
C524	1-163-037-11	s	CAPACITOR,CHIP CERAMIC 0.022MF
C525	1-163-037-11	s	CAPACITOR,CHIP CERAMIC 0.022MF
C526	1-163-037-11	s	CAPACITOR,CHIP CERAMIC 0.022MF
C527	1-163-037-11	s	CAPACITOR,CHIP CERAMIC 0.022MF
C528	1-126-933-11	s	CAPACITOR,ELECT 100MF/16V
C529	1-163-809-11	s	CAPACITOR,CHIP CERAMIC 0.047MF
C530	1-163-037-11	s	CAPACITOR,CHIP CERAMIC 0.022MF
C531	1-163-037-11	s	CAPACITOR,CHIP CERAMIC 0.022MF
C532	1-163-037-11	s	CAPACITOR,CHIP CERAMIC 0.022MF
C533	1-135-167-21	s	CAPACITOR,CHIP TANTALUM 68MF
C534	1-135-167-21	s	CAPACITOR,CHIP TANTALUM 68MF
C535	1-163-037-11	s	CAPACITOR,CHIP CERAMIC 0.022MF
C536	1-126-933-11	s	CAPACITOR,ELECT 100MF/16V
C537	1-163-037-11	s	CAPACITOR,CHIP CERAMIC 0.022MF

(VPR-1 BOARD suffix 18 or higher)

(VPR-1 BOARD suffix 18 or higher)

Ref. No. or Q'ty	Part No.	SP Description
C538	1-126-933-11	s CAPACITOR,ELECT 100MF/16V
C539	1-126-933-11	s CAPACITOR,ELECT 100MF/16V
C540	1-163-037-11	s CAPACITOR,CHIP CERAMIC 0.022MF
C541	1-126-964-11	s CAPACITOR, ELECT 10MF/50V
C542	1-126-964-11	s CAPACITOR, ELECT 10MF/50V
C543	1-126-964-11	s CAPACITOR, ELECT 10MF/50V
C544	1-163-037-11	s CAPACITOR,CHIP CERAMIC 0.022MF
C545	1-163-021-91	s CAPACITOR, CERAMIC 0.01MF/50V
C546	1-163-021-91	s CAPACITOR, CERAMIC 0.01MF/50V
C547	1-163-021-91	s CAPACITOR, CERAMIC 0.01MF/50V
C548	1-126-925-11	s CAPACITOR,ELECT 470MF/10V
C549	1-163-037-11	s CAPACITOR,CHIP CERAMIC 0.022MF
C550	1-164-690-11	s CAPACITOR ,CERAMIC 2200PF CH
C551	1-164-685-91	s CAPACITOR, CHIP CERAMIC 1300PF
C552	1-163-089-00	s CAPACITOR,CHIP CERAMIC 6.0PF
C553	1-126-933-11	s CAPACITOR,ELECT 100MF/16V
C554	1-163-037-11	s CAPACITOR,CHIP CERAMIC 0.022MF
C555	1-164-690-11	s CAPACITOR ,CERAMIC 2200PF CH
C560	1-164-690-11	s CAPACITOR ,CERAMIC 2200PF CH
C565	1-164-690-11	s CAPACITOR ,CERAMIC 2200PF CH
C566	1-164-685-91	s CAPACITOR, CHIP CERAMIC 1300PF
C567	1-163-089-00	s CAPACITOR,CHIP CERAMIC 6.0PF
C570	1-164-690-11	s CAPACITOR ,CERAMIC 2200PF CH
C571	1-164-685-91	s CAPACITOR, CHIP CERAMIC 1300PF
C572	1-163-089-00	s CAPACITOR,CHIP CERAMIC 6.0PF
C577	1-163-037-11	s CAPACITOR,CHIP CERAMIC 0.022MF
C598	1-163-220-11	s CAPACITOR, CHIP CERAMIC 3.0PF
C599	1-163-220-11	s CAPACITOR, CHIP CERAMIC 3.0PF
C600	1-163-037-11	s CAPACITOR,CHIP CERAMIC 0.022MF
C601	1-126-933-11	s CAPACITOR,ELECT 100MF/16V
C602	1-163-037-11	s CAPACITOR,CHIP CERAMIC 0.022MF
C603	1-127-516-11	s CAPACITOR,ELECT (SOLID)220MF
C604	1-163-037-11	s CAPACITOR,CHIP CERAMIC 0.022MF
C605	1-163-038-91	s CAPACITOR, CERAMIC 0.1MF/25V
C606	1-163-037-11	s CAPACITOR,CHIP CERAMIC 0.022MF
C607	1-163-037-11	s CAPACITOR,CHIP CERAMIC 0.022MF
C608	1-163-037-11	s CAPACITOR,CHIP CERAMIC 0.022MF
C609	1-163-038-91	s CAPACITOR, CERAMIC 0.1MF/25V
C610	1-163-037-11	s CAPACITOR,CHIP CERAMIC 0.022MF
C611	1-163-038-91	s CAPACITOR, CERAMIC 0.1MF/25V
C612	1-163-037-11	s CAPACITOR,CHIP CERAMIC 0.022MF
C613	1-163-037-11	s CAPACITOR,CHIP CERAMIC 0.022MF
C614	1-127-516-11	s CAPACITOR,ELECT (SOLID)220MF
C615	1-163-037-11	s CAPACITOR,CHIP CERAMIC 0.022MF
C616	1-163-038-91	s CAPACITOR, CERAMIC 0.1MF/25V
C617	1-163-037-11	s CAPACITOR,CHIP CERAMIC 0.022MF
C618	1-135-157-21	s CAPACITOR TANTALUM 10MF/6.3V
C619	1-163-037-11	s CAPACITOR,CHIP CERAMIC 0.022MF
C620	1-163-087-00	s CAPACITOR,CHIP CERAMIC 4.0PF
C621	1-163-037-11	s CAPACITOR,CHIP CERAMIC 0.022MF
C622	1-163-037-11	s CAPACITOR,CHIP CERAMIC 0.022MF
C624	1-163-243-11	s CAPACITOR CHIP CERAMIC 47PF/50
C625	1-163-251-11	s CAPACITOR CERAMIC 100PF/50V
C626	1-135-157-21	s CAPACITOR TANTALUM 10MF/6.3V
C628	1-163-037-11	s CAPACITOR,CHIP CERAMIC 0.022MF
C629	1-163-037-11	s CAPACITOR,CHIP CERAMIC 0.022MF
C630	1-163-037-11	s CAPACITOR,CHIP CERAMIC 0.022MF
C631	1-163-037-11	s CAPACITOR,CHIP CERAMIC 0.022MF
C632	1-163-037-11	s CAPACITOR,CHIP CERAMIC 0.022MF

Ref. No. or Q'ty	Part No.	SP Description
C633	1-163-037-11	s CAPACITOR,CHIP CERAMIC 0.022MF
C634	1-163-037-11	s CAPACITOR,CHIP CERAMIC 0.022MF
C635	1-127-516-11	s CAPACITOR,ELECT (SOLID)220MF
C636	1-163-037-11	s CAPACITOR,CHIP CERAMIC 0.022MF
C637	1-163-037-11	s CAPACITOR,CHIP CERAMIC 0.022MF
C638	1-163-037-11	s CAPACITOR,CHIP CERAMIC 0.022MF
C639	1-163-037-11	s CAPACITOR,CHIP CERAMIC 0.022MF
C640	1-163-037-11	s CAPACITOR,CHIP CERAMIC 0.022MF
C641	1-135-210-11	s CAPACITOR TANTAL 4.7MF/10V
C642	1-135-210-11	s CAPACITOR TANTAL 4.7MF/10V
C643	1-135-210-11	s CAPACITOR TANTAL 4.7MF/10V
C644	1-135-210-11	s CAPACITOR TANTAL 4.7MF/10V
C645	1-135-210-11	s CAPACITOR TANTAL 4.7MF/10V
C646	1-135-210-11	s CAPACITOR TANTAL 4.7MF/10V
C647	1-135-177-21	s CAPACITOR TANTALUM 1MF/25V
C648	1-135-177-21	s CAPACITOR TANTALUM 1MF/25V
C649	1-135-177-21	s CAPACITOR TANTALUM 1MF/25V
C650	1-163-037-11	s CAPACITOR,CHIP CERAMIC 0.022MF
C651	1-163-037-11	s CAPACITOR,CHIP CERAMIC 0.022MF
C652	1-163-037-11	s CAPACITOR,CHIP CERAMIC 0.022MF
C653	1-163-037-11	s CAPACITOR,CHIP CERAMIC 0.022MF
C654	1-163-037-11	s CAPACITOR,CHIP CERAMIC 0.022MF
C655	1-163-037-11	s CAPACITOR,CHIP CERAMIC 0.022MF
C656	1-163-037-11	s CAPACITOR,CHIP CERAMIC 0.022MF
C657	1-126-933-11	s CAPACITOR,ELECT 100MF/16V
C658	1-127-516-11	s CAPACITOR,ELECT (SOLID)220MF
C659	1-163-037-11	s CAPACITOR,CHIP CERAMIC 0.022MF
C660	1-135-157-21	s CAPACITOR TANTALUM 10MF/6.3V
C661	1-163-037-11	s CAPACITOR,CHIP CERAMIC 0.022MF
C662	1-163-037-11	s CAPACITOR,CHIP CERAMIC 0.022MF
C663	1-163-037-11	s CAPACITOR,CHIP CERAMIC 0.022MF
C664	1-163-037-11	s CAPACITOR,CHIP CERAMIC 0.022MF
C665	1-163-038-91	s CAPACITOR, CERAMIC 0.1MF/25V
C666	1-163-038-91	s CAPACITOR, CERAMIC 0.1MF/25V
C667	1-163-038-91	s CAPACITOR, CERAMIC 0.1MF/25V
C668	1-163-037-11	s CAPACITOR,CHIP CERAMIC 0.022MF
C670	1-163-037-11	s CAPACITOR,CHIP CERAMIC 0.022MF
C671	1-163-038-91	s CAPACITOR, CERAMIC 0.1MF/25V
C672	1-163-037-11	s CAPACITOR,CHIP CERAMIC 0.022MF
C673	1-163-037-11	s CAPACITOR,CHIP CERAMIC 0.022MF
C674	1-135-157-21	s CAPACITOR TANTALUM 10MF/6.3V
C675	1-163-037-11	s CAPACITOR,CHIP CERAMIC 0.022MF
C676	1-163-220-11	s CAPACITOR, CHIP CERAMIC 3.0PF
C677	1-163-037-11	s CAPACITOR,CHIP CERAMIC 0.022MF
C678	1-163-037-11	s CAPACITOR,CHIP CERAMIC 0.022MF
C679	1-135-157-21	s CAPACITOR TANTALUM 10MF/6.3V
C680	1-127-516-11	s CAPACITOR,ELECT (SOLID)220MF
C681	1-127-516-11	s CAPACITOR,ELECT (SOLID)220MF
C682	1-163-220-11	s CAPACITOR, CHIP CERAMIC 3.0PF
C683	1-163-037-11	s CAPACITOR,CHIP CERAMIC 0.022MF
C684	1-163-037-11	s CAPACITOR,CHIP CERAMIC 0.022MF
C685	1-163-037-11	s CAPACITOR,CHIP CERAMIC 0.022MF
C686	1-163-037-11	s CAPACITOR,CHIP CERAMIC 0.022MF
C687	1-163-037-11	s CAPACITOR,CHIP CERAMIC 0.022MF
C688	1-163-037-11	s CAPACITOR,CHIP CERAMIC 0.022MF
C689	1-163-037-11	s CAPACITOR,CHIP CERAMIC 0.022MF
C691	1-163-037-11	s CAPACITOR,CHIP CERAMIC 0.022MF
C692	1-163-251-11	s CAPACITOR CERAMIC 100PF/50V
C693	1-163-127-00	s CAPACITOR,CHIP CERAMIC 270PF

(VPR-1 BOARD suffix 18 or higher)

Ref. No. or Q'ty	Part No.	SP	Description
C694	1-163-251-11	s	CAPACITOR CERAMIC 100PF/50V
C695	1-163-037-11	s	CAPACITOR,CHIP CERAMIC 0.022MF
C696	1-163-037-11	s	CAPACITOR,CHIP CERAMIC 0.022MF
C697	1-135-210-11	s	CAPACITOR TANTAL 4.7MF/10V
C698	1-135-210-11	s	CAPACITOR TANTAL 4.7MF/10V
C699	1-135-210-11	s	CAPACITOR TANTAL 4.7MF/10V
C700	1-135-210-11	s	CAPACITOR TANTAL 4.7MF/10V
C701	1-135-177-21	s	CAPACITOR TANTALUM 1MF/25V
C702	1-135-177-21	s	CAPACITOR TANTALUM 1MF/25V
C703	1-163-037-11	s	CAPACITOR,CHIP CERAMIC 0.022MF
C704	1-163-037-11	s	CAPACITOR,CHIP CERAMIC 0.022MF
C705	1-163-222-11	s	CAPACITOR,CHIP CERAMIC 5.0PF
C706	1-163-243-11	s	CAPACITOR CHIP CERAMIC 47PF/50
C707	1-163-037-11	s	CAPACITOR,CHIP CERAMIC 0.022MF
C708	1-163-037-11	s	CAPACITOR,CHIP CERAMIC 0.022MF
C709	1-163-037-11	s	CAPACITOR,CHIP CERAMIC 0.022MF
C710	1-163-037-11	s	CAPACITOR,CHIP CERAMIC 0.022MF
C711	1-163-227-11	s	CAPACITOR CERAMIC 10PF/50V(CH)
C712	1-163-037-11	s	CAPACITOR,CHIP CERAMIC 0.022MF
C713	1-104-914-11	s	CAPACITOR CHIP TANTAL 22MF/16V
C714	1-163-037-11	s	CAPACITOR,CHIP CERAMIC 0.022MF
C715	1-163-037-11	s	CAPACITOR,CHIP CERAMIC 0.022MF
C716	1-163-037-11	s	CAPACITOR,CHIP CERAMIC 0.022MF
C717	1-163-037-11	s	CAPACITOR,CHIP CERAMIC 0.022MF
C718	1-163-037-11	s	CAPACITOR,CHIP CERAMIC 0.022MF
C719	1-163-037-11	s	CAPACITOR,CHIP CERAMIC 0.022MF
C745	1-163-038-91	s	CAPACITOR, CERAMIC 0.1MF/25V
C746	1-163-038-91	s	CAPACITOR, CERAMIC 0.1MF/25V
C747	1-163-038-91	s	CAPACITOR, CERAMIC 0.1MF/25V
C748	1-163-038-91	s	CAPACITOR, CERAMIC 0.1MF/25V
C749	1-163-038-91	s	CAPACITOR, CERAMIC 0.1MF/25V
C750	1-126-947-11	s	CAPACITOR, ELECT 47MF/35V
C751	1-126-933-11	s	CAPACITOR,ELECT 100MF/16V
C752	1-126-933-11	s	CAPACITOR,ELECT 100MF/16V
C753	1-126-933-11	s	CAPACITOR,ELECT 100MF/16V
C754	1-126-933-11	s	CAPACITOR,ELECT 100MF/16V
C755	1-126-933-11	s	CAPACITOR,ELECT 100MF/16V
C756	1-126-933-11	s	CAPACITOR,ELECT 100MF/16V
C757	1-126-933-11	s	CAPACITOR,ELECT 100MF/16V
C758	1-163-037-11	s	CAPACITOR,CHIP CERAMIC 0.022MF
C759	1-163-037-11	s	CAPACITOR,CHIP CERAMIC 0.022MF
C760	1-163-037-11	s	CAPACITOR,CHIP CERAMIC 0.022MF
C761	1-126-933-11	s	CAPACITOR,ELECT 100MF/16V
C762	1-126-933-11	s	CAPACITOR,ELECT 100MF/16V
C764	1-163-037-11	s	CAPACITOR,CHIP CERAMIC 0.022MF
C765	1-163-037-11	s	CAPACITOR,CHIP CERAMIC 0.022MF
C767	1-126-947-11	s	CAPACITOR, ELECT 47MF/35V
C768	1-126-933-11	s	CAPACITOR,ELECT 100MF/16V
C769	1-163-037-11	s	CAPACITOR,CHIP CERAMIC 0.022MF
C770	1-163-037-11	s	CAPACITOR,CHIP CERAMIC 0.022MF
C771	1-126-933-11	s	CAPACITOR,ELECT 100MF/16V
C772	1-163-037-11	s	CAPACITOR,CHIP CERAMIC 0.022MF
C773	1-163-037-11	s	CAPACITOR,CHIP CERAMIC 0.022MF
C774	1-163-037-11	s	CAPACITOR,CHIP CERAMIC 0.022MF
C775	1-163-037-11	s	CAPACITOR,CHIP CERAMIC 0.022MF
C776	1-126-933-11	s	CAPACITOR,ELECT 100MF/16V
C777	1-163-037-11	s	CAPACITOR,CHIP CERAMIC 0.022MF
C778	1-126-933-11	s	CAPACITOR,ELECT 100MF/16V
C779	1-163-037-11	s	CAPACITOR,CHIP CERAMIC 0.022MF

(VPR-1 BOARD suffix 18 or higher)

Ref. No. or Q'ty	Part No.	SP	Description
C780	1-163-037-11	s	CAPACITOR,CHIP CERAMIC 0.022MF
C781	1-163-037-11	s	CAPACITOR,CHIP CERAMIC 0.022MF
C782	1-163-037-11	s	CAPACITOR,CHIP CERAMIC 0.022MF
C783	1-163-037-11	s	CAPACITOR,CHIP CERAMIC 0.022MF
C784	1-126-964-11	s	CAPACITOR, ELECT 10MF/50V
C785	1-163-038-91	s	CAPACITOR, CERAMIC 0.1MF/25V
C786	1-163-037-11	s	CAPACITOR,CHIP CERAMIC 0.022MF
C787	1-163-037-11	s	CAPACITOR,CHIP CERAMIC 0.022MF
C788	1-163-037-11	s	CAPACITOR,CHIP CERAMIC 0.022MF
C789	1-163-037-11	s	CAPACITOR,CHIP CERAMIC 0.022MF
C790	1-163-037-11	s	CAPACITOR,CHIP CERAMIC 0.022MF
C791	1-163-037-11	s	CAPACITOR,CHIP CERAMIC 0.022MF
C792	1-163-037-11	s	CAPACITOR,CHIP CERAMIC 0.022MF
C793	1-163-275-11	s	CAPACITOR CERAMIC 1000PF/50V
C794	1-163-275-11	s	CAPACITOR CERAMIC 1000PF/50V
C796	1-163-037-11	s	CAPACITOR,CHIP CERAMIC 0.022MF
C797	1-163-037-11	s	CAPACITOR,CHIP CERAMIC 0.022MF
C802	1-163-037-11	s	CAPACITOR,CHIP CERAMIC 0.022MF
C803	1-163-037-11	s	CAPACITOR,CHIP CERAMIC 0.022MF
C805	1-163-037-11	s	CAPACITOR,CHIP CERAMIC 0.022MF
C807	1-163-037-11	s	CAPACITOR,CHIP CERAMIC 0.022MF
C809	1-163-037-11	s	CAPACITOR,CHIP CERAMIC 0.022MF
C812	1-163-037-11	s	CAPACITOR,CHIP CERAMIC 0.022MF
C814	1-163-037-11	s	CAPACITOR,CHIP CERAMIC 0.022MF
C816	1-163-037-11	s	CAPACITOR,CHIP CERAMIC 0.022MF
C818	1-163-037-11	s	CAPACITOR,CHIP CERAMIC 0.022MF
C821	1-163-037-11	s	CAPACITOR,CHIP CERAMIC 0.022MF
C822	1-163-037-11	s	CAPACITOR,CHIP CERAMIC 0.022MF
C823	1-163-037-11	s	CAPACITOR,CHIP CERAMIC 0.022MF
C824	1-163-037-11	s	CAPACITOR,CHIP CERAMIC 0.022MF
C1000	1-126-933-11	s	CAPACITOR,ELECT 100MF/16V
C1001	1-163-239-11	s	CAPACITOR,CHIP CERAMIC33PF/50V
C1002	1-126-933-11	s	CAPACITOR,ELECT 100MF/16V
C1003	1-163-037-11	s	CAPACITOR,CHIP CERAMIC 0.022MF
C1004	1-163-259-91	s	CAPACITOR,CHIP CERAMIC 220PF
C1005	1-163-021-91	s	CAPACITOR, CERAMIC 0.01MF/50V
C1006	1-163-037-11	s	CAPACITOR,CHIP CERAMIC 0.022MF
C1007	1-163-133-00	s	CAPACITOR,CHIP CERAMIC 470PF
C1008	1-126-933-11	s	CAPACITOR,ELECT 100MF/16V
C1009	1-126-933-11	s	CAPACITOR,ELECT 100MF/16V
C1010	1-126-933-11	s	CAPACITOR,ELECT 100MF/16V
C1011	1-163-037-11	s	CAPACITOR,CHIP CERAMIC 0.022MF
C1012	1-163-037-11	s	CAPACITOR,CHIP CERAMIC 0.022MF
C1013	1-163-037-11	s	CAPACITOR,CHIP CERAMIC 0.022MF
C1014	1-163-021-91	s	CAPACITOR, CERAMIC 0.01MF/50V
C1015	1-104-559-11	s	CAPACITOR FILM 0.047MF/16V
C1018	1-163-251-11	s	CAPACITOR CERAMIC 100PF/50V
C1020	1-163-037-11	s	CAPACITOR,CHIP CERAMIC 0.022MF
C1021	1-163-038-91	s	CAPACITOR, CERAMIC 0.1MF/25V
C1022	1-163-038-91	s	CAPACITOR, CERAMIC 0.1MF/25V
C1024	1-163-037-11	s	CAPACITOR,CHIP CERAMIC 0.022MF
C1025	1-163-133-00	s	CAPACITOR,CHIP CERAMIC 470PF
C1026	1-163-037-11	s	CAPACITOR,CHIP CERAMIC 0.022MF
C1027	1-163-239-11	s	CAPACITOR,CHIP CERAMIC33PF/50V
C1028	1-163-259-91	s	CAPACITOR,CHIP CERAMIC 220PF
C1029	1-104-547-11	s	CAPACITOR FILM 0.0047MF/16V
C1030	1-163-037-11	s	CAPACITOR,CHIP CERAMIC 0.022MF
C1031	1-163-037-11	s	CAPACITOR,CHIP CERAMIC 0.022MF
C1032	1-163-037-11	s	CAPACITOR,CHIP CERAMIC 0.022MF

(VPR-1 BOARD suffix 18 or higher)

Ref. No. or Q'ty	Part No.	SP Description
C1033	1-163-259-91	s CAPACITOR,CHIP CERAMIC 220PF
C1034	1-163-235-11	s CAPACITOR,CHIP CERAMIC22PF/50V
C1035	1-163-235-11	s CAPACITOR,CHIP CERAMIC22PF/50V
C1036	1-163-235-11	s CAPACITOR,CHIP CERAMIC22PF/50V
C1037	1-104-547-11	s CAPACITOR FILM 0.0047MF/16V
C1038	1-163-021-91	s CAPACITOR, CERAMIC 0.01MF/50V
C1039	1-163-021-91	s CAPACITOR, CERAMIC 0.01MF/50V
C1040	1-163-235-11	s CAPACITOR,CHIP CERAMIC22PF/50V
C1041	1-163-037-11	s CAPACITOR,CHIP CERAMIC 0.022MF
C1042	1-163-037-11	s CAPACITOR,CHIP CERAMIC 0.022MF
C1043	1-163-085-00	s CAPACITOR,CHIP CERAMIC 2.0PF
C1044	1-163-089-00	s CAPACITOR,CHIP CERAMIC 6.0PF
C1045	1-163-037-11	s CAPACITOR,CHIP CERAMIC 0.022MF
C1046	1-163-038-91	s CAPACITOR, CERAMIC 0.1MF/25V
C1048	1-163-239-11	s CAPACITOR,CHIP CERAMIC33PF/50V
C1049	1-104-920-11	s CAPACITOR TANTALUM 4.7MF/35V
C1050	1-104-920-11	s CAPACITOR TANTALUM 4.7MF/35V
C1051	1-163-037-11	s CAPACITOR,CHIP CERAMIC 0.022MF
C1052	1-163-037-11	s CAPACITOR,CHIP CERAMIC 0.022MF
C1053	1-126-933-11	s CAPACITOR,ELECT 100MF/16V
C1055	1-163-037-11	s CAPACITOR,CHIP CERAMIC 0.022MF
C1056	1-135-179-21	s CAPACITOR,TANTALUM 2.2MF/16V
C1057	1-126-933-11	s CAPACITOR,ELECT 100MF/16V
C1059	1-163-037-11	s CAPACITOR,CHIP CERAMIC 0.022MF
C1060	1-163-037-11	s CAPACITOR,CHIP CERAMIC 0.022MF
C1061	1-163-037-11	s CAPACITOR,CHIP CERAMIC 0.022MF
C1063	1-126-933-11	s CAPACITOR,ELECT 100MF/16V
C1064	1-126-933-11	s CAPACITOR,ELECT 100MF/16V
C1065	1-163-037-11	s CAPACITOR,CHIP CERAMIC 0.022MF
C1066	1-163-037-11	s CAPACITOR,CHIP CERAMIC 0.022MF
C1067	1-163-037-11	s CAPACITOR,CHIP CERAMIC 0.022MF
C1068	1-126-933-11	s CAPACITOR,ELECT 100MF/16V
C1069	1-163-037-11	s CAPACITOR,CHIP CERAMIC 0.022MF
C1070	1-126-933-11	s CAPACITOR,ELECT 100MF/16V
C1071	1-163-038-91	s CAPACITOR, CERAMIC 0.1MF/25V
C1073	1-163-037-11	s CAPACITOR,CHIP CERAMIC 0.022MF
C1074	1-163-037-11	s CAPACITOR,CHIP CERAMIC 0.022MF
C1075	1-163-037-11	s CAPACITOR,CHIP CERAMIC 0.022MF
C1076	1-163-037-11	s CAPACITOR,CHIP CERAMIC 0.022MF
C1078	1-163-037-11	s CAPACITOR,CHIP CERAMIC 0.022MF
C1080	1-163-037-11	s CAPACITOR,CHIP CERAMIC 0.022MF
C1081	1-163-037-11	s CAPACITOR,CHIP CERAMIC 0.022MF
C1082	1-163-235-11	s CAPACITOR,CHIP CERAMIC22PF/50V
C1084	1-163-037-11	s CAPACITOR,CHIP CERAMIC 0.022MF
C1086	1-163-037-11	s CAPACITOR,CHIP CERAMIC 0.022MF
C1087	1-163-037-11	s CAPACITOR,CHIP CERAMIC 0.022MF
C1088	1-163-235-11	s CAPACITOR,CHIP CERAMIC22PF/50V
C1089	1-163-037-11	s CAPACITOR,CHIP CERAMIC 0.022MF
C1090	1-163-251-11	s CAPACITOR CERAMIC 100PF/50V
C1091	1-163-038-91	s CAPACITOR, CERAMIC 0.1MF/25V
C1093	1-126-933-11	s CAPACITOR,ELECT 100MF/16V
C1094	1-163-038-91	s CAPACITOR, CERAMIC 0.1MF/25V
C1096	1-163-037-11	s CAPACITOR,CHIP CERAMIC 0.022MF
C1098	1-126-933-11	s CAPACITOR,ELECT 100MF/16V
C1099	1-163-037-11	s CAPACITOR,CHIP CERAMIC 0.022MF
C1100	1-163-255-91	s CAPACITOR,CHIP CERAMIC 150PF
C1101	1-163-037-11	s CAPACITOR,CHIP CERAMIC 0.022MF
C1102	1-163-038-91	s CAPACITOR, CERAMIC 0.1MF/25V
C1103	1-126-933-11	s CAPACITOR,ELECT 100MF/16V

(VPR-1 BOARD suffix 18 or higher)

Ref. No. or Q'ty	Part No.	SP Description
C1104	1-163-037-11	s CAPACITOR,CHIP CERAMIC 0.022MF
C1105	1-163-037-11	s CAPACITOR,CHIP CERAMIC 0.022MF
C1106	1-163-037-11	s CAPACITOR,CHIP CERAMIC 0.022MF
C1107	1-126-933-11	s CAPACITOR,ELECT 100MF/16V
C1108	1-163-275-11	s CAPACITOR CERAMIC 1000PF/50V
C1109	1-163-037-11	s CAPACITOR,CHIP CERAMIC 0.022MF
C1110	1-163-037-11	s CAPACITOR,CHIP CERAMIC 0.022MF
C1111	1-126-964-11	s CAPACITOR, ELECT 10MF/50V
C1112	1-163-037-11	s CAPACITOR,CHIP CERAMIC 0.022MF
C1113	1-163-113-00	s CAPACITOR,CHIP CERAMIC 68PF/50
C1114	1-163-259-91	s CAPACITOR,CHIP CERAMIC 220PF
C1115	1-163-037-11	s CAPACITOR,CHIP CERAMIC 0.022MF
C1116	1-163-113-00	s CAPACITOR,CHIP CERAMIC 68PF/50
C1117	1-163-037-11	s CAPACITOR,CHIP CERAMIC 0.022MF
C1118	1-163-037-11	s CAPACITOR,CHIP CERAMIC 0.022MF
C1119	1-163-037-11	s CAPACITOR,CHIP CERAMIC 0.022MF
C1120	1-163-037-11	s CAPACITOR,CHIP CERAMIC 0.022MF
C1121	1-163-037-11	s CAPACITOR,CHIP CERAMIC 0.022MF
C1122	1-163-037-11	s CAPACITOR,CHIP CERAMIC 0.022MF
C1124	1-163-038-91	s CAPACITOR, CERAMIC 0.1MF/25V
C1125	1-163-037-11	s CAPACITOR,CHIP CERAMIC 0.022MF
C1126	1-126-933-11	s CAPACITOR,ELECT 100MF/16V
C1127	1-126-933-11	s CAPACITOR,ELECT 100MF/16V
C1128	1-163-037-11	s CAPACITOR,CHIP CERAMIC 0.022MF
C1129	1-163-038-91	s CAPACITOR, CERAMIC 0.1MF/25V
C1130	1-163-037-11	s CAPACITOR,CHIP CERAMIC 0.022MF
C1132	1-163-037-11	s CAPACITOR,CHIP CERAMIC 0.022MF
C1133	1-126-933-11	s CAPACITOR,ELECT 100MF/16V
C1134	1-163-037-11	s CAPACITOR,CHIP CERAMIC 0.022MF
C1135	1-163-037-11	s CAPACITOR,CHIP CERAMIC 0.022MF
C1136	1-163-037-11	s CAPACITOR,CHIP CERAMIC 0.022MF
C1137	1-163-037-11	s CAPACITOR,CHIP CERAMIC 0.022MF
C1139	1-163-037-11	s CAPACITOR,CHIP CERAMIC 0.022MF
C1140	1-163-113-00	s CAPACITOR,CHIP CERAMIC 68PF/50
C1141	1-163-037-11	s CAPACITOR,CHIP CERAMIC 0.022MF
C1143	1-163-259-91	s CAPACITOR,CHIP CERAMIC 220PF
C1144	1-163-037-11	s CAPACITOR,CHIP CERAMIC 0.022MF
C1145	1-163-037-11	s CAPACITOR,CHIP CERAMIC 0.022MF
C1146	1-163-113-00	s CAPACITOR,CHIP CERAMIC 68PF/50
C1147	1-163-037-11	s CAPACITOR,CHIP CERAMIC 0.022MF
C1148	1-163-037-11	s CAPACITOR,CHIP CERAMIC 0.022MF
C1149	1-163-037-11	s CAPACITOR,CHIP CERAMIC 0.022MF
C1150	1-164-222-11	s CAPACITOR,CHIP CERAMIC 0.22MF
C1151	1-163-037-11	s CAPACITOR,CHIP CERAMIC 0.022MF
C1152	1-163-037-11	s CAPACITOR,CHIP CERAMIC 0.022MF
C1153	1-135-179-21	s CAPACITOR,TANTALUM 2.2MF/16V
C1156	1-126-933-11	s CAPACITOR,ELECT 100MF/16V
C1157	1-126-933-11	s CAPACITOR,ELECT 100MF/16V
C1158	1-163-037-11	s CAPACITOR,CHIP CERAMIC 0.022MF
C1159	1-163-037-11	s CAPACITOR,CHIP CERAMIC 0.022MF
C1160	1-163-037-11	s CAPACITOR,CHIP CERAMIC 0.022MF
C1161	1-163-037-11	s CAPACITOR,CHIP CERAMIC 0.022MF
C1162	1-163-037-11	s CAPACITOR,CHIP CERAMIC 0.022MF
C1163	1-163-037-11	s CAPACITOR,CHIP CERAMIC 0.022MF
C1164	1-126-964-11	s CAPACITOR, ELECT 10MF/50V
C1165	1-163-021-91	s CAPACITOR, CERAMIC 0.01MF/50V
C1166	1-126-964-11	s CAPACITOR, ELECT 10MF/50V
C1167	1-126-964-11	s CAPACITOR, ELECT 10MF/50V
C1168	1-126-964-11	s CAPACITOR, ELECT 10MF/50V

(VPR-1 BOARD suffix 18 or higher)

Ref. No. or Q'ty	Part No.	SP	Description
C1169	1-126-964-11	s	CAPACITOR, ELECT 10MF/50V
C1170	1-163-021-91	s	CAPACITOR, CERAMIC 0.01MF/50V
C1171	1-163-021-91	s	CAPACITOR, CERAMIC 0.01MF/50V
C1172	1-163-021-91	s	CAPACITOR, CERAMIC 0.01MF/50V
C1173	1-163-021-91	s	CAPACITOR, CERAMIC 0.01MF/50V
C1174	1-163-137-00	s	CAPACITOR,CHIP CERAMIC 680PF
C1175	1-163-251-11	s	CAPACITOR CERAMIC 100PF/50V
C1176	1-163-251-11	s	CAPACITOR CERAMIC 100PF/50V
C1177	1-163-037-11	s	CAPACITOR,CHIP CERAMIC 0.022MF
C1178	1-135-227-11	s	CAPACITOR,TANTALUM 100MF/6.3V
C1179	1-135-227-11	s	CAPACITOR,TANTALUM 100MF/6.3V
C1183	1-163-037-11	s	CAPACITOR,CHIP CERAMIC 0.022MF
C1184	1-126-933-11	s	CAPACITOR,ELECT 100MF/16V
C1185	1-163-037-11	s	CAPACITOR,CHIP CERAMIC 0.022MF
C1186	1-104-914-11	s	CAPACITOR CHIP TANTAL 22MF/16V
C1187	1-135-227-11	s	CAPACITOR,TANTALUM 100MF/6.3V
C1188	1-135-227-11	s	CAPACITOR,TANTALUM 100MF/6.3V
C1190	1-163-037-11	s	CAPACITOR,CHIP CERAMIC 0.022MF
C1191	1-163-037-11	s	CAPACITOR,CHIP CERAMIC 0.022MF
C1192	1-163-037-11	s	CAPACITOR,CHIP CERAMIC 0.022MF
C1200	1-163-137-00	s	CAPACITOR,CHIP CERAMIC 680PF
C1202	1-163-037-11	s	CAPACITOR,CHIP CERAMIC 0.022MF
C1203	1-163-137-00	s	CAPACITOR,CHIP CERAMIC 680PF
C1204	1-163-137-00	s	CAPACITOR,CHIP CERAMIC 680PF
C1205	1-163-037-11	s	CAPACITOR,CHIP CERAMIC 0.022MF
C1221	1-128-551-11	s	CAPACITOR ERECT 22MF/63V
C1222	1-128-551-11	s	CAPACITOR ERECT 22MF/63V
C1225	1-163-037-11	s	CAPACITOR,CHIP CERAMIC 0.022MF
C1226	1-163-037-11	s	CAPACITOR,CHIP CERAMIC 0.022MF
C1233	1-163-037-11	s	CAPACITOR,CHIP CERAMIC 0.022MF
C1244	1-104-913-11	s	CAPACITOR,CHIP TANTAL 10MF/16V
CN113	1-573-600-21	s	CONNECTOR, PC BOARD (PLUG)100P
CN114	1-573-600-21	s	CONNECTOR, PC BOARD (PLUG)100P
CN115	1-573-600-21	s	CONNECTOR, PC BOARD (PLUG)100P
D104	8-719-023-69	s	DIODE SB007T03Q
D105	8-719-023-69	s	DIODE SB007T03Q
D106	8-719-157-11	s	DIODE RD3.3M-B
D107	8-719-157-11	s	DIODE RD3.3M-B
D108	8-719-157-11	s	DIODE RD3.3M-B
D310	8-719-989-08	s	DIODE RB717F
D603	8-719-023-69	s	DIODE SB007T03Q
D604	8-719-023-69	s	DIODE SB007T03Q
D605	8-719-023-69	s	DIODE SB007T03Q
D606	8-719-023-69	s	DIODE SB007T03Q
D607	8-719-023-69	s	DIODE SB007T03Q
D750	8-719-941-23	s	DIODE DA204U
D751	8-719-941-23	s	DIODE DA204U
D752	8-719-023-69	s	DIODE SB007T03Q
D753	8-719-023-69	s	DIODE SB007T03Q
D754	8-719-023-69	s	DIODE SB007T03Q
D755	8-719-023-69	s	DIODE SB007T03Q
D756	8-719-023-69	s	DIODE SB007T03Q
D757	8-719-023-69	s	DIODE SB007T03Q
D1000	8-719-941-23	s	DIODE DA204U
D1002	8-719-941-23	s	DIODE DA204U
D1003	8-719-941-23	s	DIODE DA204U
D1004	8-719-941-23	s	DIODE DA204U
D1005	8-719-941-23	s	DIODE DA204U

(VPR-1 BOARD suffix 18 or higher)

Ref. No. or Q'ty	Part No.	SP	Description
D1006	8-719-023-69	s	DIODE SB007T03Q
D1007	8-719-941-23	s	DIODE DA204U
D1009	8-719-023-69	s	DIODE SB007T03Q
D1010	8-719-023-69	s	DIODE SB007T03Q
E100	1-535-881-21	o	TERMINAL, TP (AUTO INSERTION)
E300	1-535-881-21	o	TERMINAL, TP (AUTO INSERTION)
E500	1-535-881-21	o	TERMINAL, TP (AUTO INSERTION)
E600	*a 1-535-881-21	o	TERMINAL, TP (AUTO INSERTION)
E601	1-535-881-21	o	TERMINAL, TP (AUTO INSERTION)
E750	*a 1-535-881-21	o	TERMINAL, TP (AUTO INSERTION)
E1000	1-535-881-21	o	TERMINAL, TP (AUTO INSERTION)
E1001	*a 1-535-881-21	o	TERMINAL, TP (AUTO INSERTION)
FB300	1-543-309-21	s	BEAD,FERRITE
FB301	1-543-622-11	s	BEAD,FERRITE (CHIP)
FB302	1-543-622-11	s	BEAD,FERRITE (CHIP)
FB303	1-543-622-11	s	BEAD,FERRITE (CHIP)
FB304	1-543-622-11	s	BEAD,FERRITE (CHIP)
FB305	1-543-309-21	s	BEAD,FERRITE
FB306	1-543-644-11	s	BEAD, FERRITE (CHIP)
FB307	1-543-644-11	s	BEAD, FERRITE (CHIP)
FB308	1-543-644-11	s	BEAD, FERRITE (CHIP)
FB500	1-543-309-21	s	BEAD,FERRITE
FB501	1-543-309-21	s	BEAD,FERRITE
FB502	1-543-622-11	s	BEAD,FERRITE (CHIP)
FB503	1-543-622-11	s	BEAD,FERRITE (CHIP)
FB504	1-543-622-11	s	BEAD,FERRITE (CHIP)
FB505	1-543-644-11	s	BEAD, FERRITE (CHIP)
FB506	1-543-644-11	s	BEAD, FERRITE (CHIP)
FB1000	1-543-309-21	s	BEAD,FERRITE
FB1001	1-543-309-21	s	BEAD,FERRITE
FB1002	1-543-309-21	s	BEAD,FERRITE
FB1003	1-543-309-21	s	BEAD,FERRITE
FB1005	1-543-309-21	s	BEAD,FERRITE
FB1006	1-543-644-11	s	BEAD, FERRITE (CHIP)
FB1007	1-543-644-11	s	BEAD, FERRITE (CHIP)
FB1008	1-543-644-11	s	BEAD, FERRITE (CHIP)
FB1009	1-543-644-11	s	BEAD, FERRITE (CHIP)
FB1010	1-543-644-11	s	BEAD, FERRITE (CHIP)
FL100	1-239-721-11	s	FILTER, LOW PASS (6MHZ)
FL101	1-239-722-11	s	FILTER, LOW PASS (3MHZ)
FL102	1-239-722-11	s	FILTER, LOW PASS (3MHZ)
FL303	1-239-898-22	s	FILTER, EMI (SMD)
FL304	1-239-898-22	s	FILTER, EMI (SMD)
FL305	1-239-898-22	s	FILTER, EMI (SMD)
FL306	1-239-898-22	s	FILTER, EMI (SMD)
FL307	1-239-898-22	s	FILTER, EMI (SMD)
FL308	1-239-898-22	s	FILTER, EMI (SMD)
FL309	1-239-898-22	s	FILTER, EMI (SMD)
FL310	1-239-898-22	s	FILTER, EMI (SMD)
FL311	1-239-898-22	s	FILTER, EMI (SMD)
FL312	1-239-898-22	s	FILTER, EMI (SMD)
FL313	1-239-898-22	s	FILTER, EMI (SMD)
FL314	1-239-898-22	s	FILTER, EMI (SMD)
FL315	1-239-898-22	s	FILTER, EMI (SMD)
FL316	1-239-898-22	s	FILTER, EMI (SMD)
FL317	1-239-898-22	s	FILTER, EMI (SMD)
FL318	1-239-898-22	s	FILTER, EMI (SMD)
FL500	1-239-898-22	s	FILTER, EMI (SMD)

(VPR-1 BOARD suffix 18 or higher)

Ref. No. or Q'ty	Part No.	SP Description
FL501	1-239-898-22	s FILTER, EMI (SMD)
FL502	1-239-898-22	s FILTER, EMI (SMD)
FL503	1-239-898-22	s FILTER, EMI (SMD)
FL504	1-239-898-22	s FILTER, EMI (SMD)
FL505	1-239-898-22	s FILTER, EMI (SMD)
FL506	1-239-898-22	s FILTER, EMI (SMD)
FL507	1-239-898-22	s FILTER, EMI (SMD)
FL508	1-239-898-22	s FILTER, EMI (SMD)
FL509	1-239-898-22	s FILTER, EMI (SMD)
FL510	1-239-898-22	s FILTER, EMI (SMD)
FL511	1-239-898-22	s FILTER, EMI (SMD)
FL512	1-239-898-22	s FILTER, EMI (SMD)
FL513	1-239-898-22	s FILTER, EMI (SMD)
FL514	1-239-898-22	s FILTER, EMI (SMD)
FL515	1-239-898-22	s FILTER, EMI (SMD)
FL516	1-239-898-22	s FILTER, EMI (SMD)
FL517	1-239-898-22	s FILTER, EMI (SMD)
FL600	1-239-721-11	s FILTER, LOW PASS (6MHZ)
FL601	1-239-721-11	s FILTER, LOW PASS (6MHZ)
FL602	1-239-721-11	s FILTER, LOW PASS (6MHZ)
FL603	1-239-721-11	s FILTER, LOW PASS (6MHZ)
FL604	1-239-721-11	s FILTER, LOW PASS (6MHZ)
FL1001	1-239-898-22	s FILTER, EMI (SMD)
FL1002	1-239-898-22	s FILTER, EMI (SMD)
FL1003	1-239-898-22	s FILTER, EMI (SMD)
FL1004	1-239-898-22	s FILTER, EMI (SMD)
FL1005	1-239-898-22	s FILTER, EMI (SMD)
FL1006	1-239-898-22	s FILTER, EMI (SMD)
FL1007	1-239-898-22	s FILTER, EMI (SMD)
FL1008	1-239-898-22	s FILTER, EMI (SMD)
FL1009	1-239-898-22	s FILTER, EMI (SMD)
FL1010	1-239-898-22	s FILTER, EMI (SMD)
FL1011	1-239-898-22	s FILTER, EMI (SMD)
FL1012	1-239-898-22	s FILTER, EMI (SMD)
FL1013	1-239-898-22	s FILTER, EMI (SMD)
FL1014	1-239-898-22	s FILTER, EMI (SMD)
FL1015	1-239-898-22	s FILTER, EMI (SMD)
FL1016	1-239-898-22	s FILTER, EMI (SMD)
FL1017	1-239-898-22	s FILTER, EMI (SMD)
FL1018	1-239-898-22	s FILTER, EMI (SMD)
FL1019	1-239-898-22	s FILTER, EMI (SMD)
FL1020	1-239-898-22	s FILTER, EMI (SMD)
FL1021	1-239-898-22	s FILTER, EMI (SMD)
FL1022	1-239-898-22	s FILTER, EMI (SMD)
FL1023	1-239-898-22	s FILTER, EMI (SMD)
FL1024	1-239-898-22	s FILTER, EMI (SMD)
FL1025	1-239-898-22	s FILTER, EMI (SMD)
FL1026	1-239-898-22	s FILTER, EMI (SMD)
FL1027	1-239-898-22	s FILTER, EMI (SMD)
FL1028	1-239-898-22	s FILTER, EMI (SMD)
FL1029	1-239-898-22	s FILTER, EMI (SMD)
FL1030	1-239-898-22	s FILTER, EMI (SMD)
FL1031	1-239-898-22	s FILTER, EMI (SMD)
FL1032	1-239-898-22	s FILTER, EMI (SMD)
FL1033	1-239-898-22	s FILTER, EMI (SMD)
IC50	8-759-524-18	s IC TC74VHC163FT(EL)
IC51	8-759-524-18	s IC TC74VHC163FT(EL)
IC52	8-759-447-77	s IC TC7WH74FU (TR12R)
IC53	8-759-524-18	s IC TC74VHC163FT(EL)

(VPR-1 BOARD suffix 18 or higher)

Ref. No. or Q'ty	Part No.	SP Description
IC54	8-759-524-18	s IC TC74VHC163FT(EL)
IC55	8-759-523-95	s IC TC74VHC74FT(EL)
IC56	8-759-196-96	s IC TC75H08FU (TE85R)
IC57	8-759-523-78	s IC TC74VHC00FT(EL)
IC58	8-759-523-95	s IC TC74VHC74FT(EL)
IC59	8-759-524-18	s IC TC74VHC163FT(EL)
IC60	8-759-524-18	s IC TC74VHC163FT(EL)
IC61	8-759-196-12	s IC SN74LS221DB
IC62	8-759-447-77	s IC TC7WH74FU (TR12R)
IC63	8-759-589-47	s IC LP2986AIMM-3.3
IC64	8-759-589-47	s IC LP2986AIMM-3.3
IC100	8-759-169-45	s IC TA78L12F
IC101	8-759-446-74	s IC TA79L05F(TE12L)
IC102	8-759-234-08	s IC TA78L05F
IC103	8-759-446-74	s IC TA79L05F(TE12L)
IC104	8-759-987-27	s IC LM1881M
IC105	8-759-239-58	s IC TC74HC221AF
IC106	8-759-262-03	s IC MC14577CF
IC107	6-700-135-01	s IC TL084CDR
IC108	6-700-135-01	s IC TL084CDR
IC109	8-759-702-08	s IC NJM360M
IC110	8-759-234-08	s IC TA78L05F
IC111	8-759-081-42	s IC TC74VHC00F
IC112	8-759-836-57	s IC TL082CDR
IC113	8-759-548-77	s IC SN74LV245ANSR
IC114	8-759-175-58	s IC MB40558PF
IC115	8-759-085-99	s IC MB40568PF-G-BND
IC116	8-759-085-99	s IC MB40568PF-G-BND
IC117	8-759-836-57	s IC TL082CDR
IC118	8-759-548-77	s IC SN74LV245ANSR
IC119	8-759-548-77	s IC SN74LV245ANSR
IC120	8-759-548-77	s IC SN74LV245ANSR
IC121	8-759-174-09	s IC CXD8381Q
IC122	8-759-174-09	s IC CXD8381Q
IC123	8-759-702-08	s IC NJM360M
IC124	8-759-485-87	s IC TL431CDR2
IC125	8-759-485-87	s IC TL431CDR2
IC126	6-700-135-01	s IC TL084CDR
IC127	8-759-234-77	s IC TC4S66F
IC128	8-759-234-77	s IC TC4S66F
IC129	8-759-234-77	s IC TC4S66F
IC300	8-759-548-77	s IC SN74LV245ANSR
IC301	8-759-548-77	s IC SN74LV245ANSR
IC302	8-759-491-36	s IC TC74VHCT244AF(EL)
IC303	8-759-548-77	s IC SN74LV245ANSR
IC304	8-759-548-77	s IC SN74LV245ANSR
IC305	8-759-421-87	s IC UPC319G2-E2
IC306	8-759-234-20	s IC TC7508F
IC307	8-759-175-79	s IC CXD8818R
IC308	8-759-179-34	s IC DMA100S
IC309	8-752-306-51	s IC CX23065A
IC311	8-759-836-57	s IC TL082CDR
IC312	8-759-175-57	s IC CXD8820AR
IC314	8-759-475-22	s IC TC74LCX245F(EL)
IC315	8-759-475-22	s IC TC74LCX245F(EL)
IC500	8-759-548-77	s IC SN74LV245ANSR
IC501	8-759-548-77	s IC SN74LV245ANSR
IC502	8-759-548-77	s IC SN74LV245ANSR
IC503	8-759-548-77	s IC SN74LV245ANSR



(VPR-1 BOARD suffix 18 or higher)

Ref. No. or Q'ty	Part No.	SP	Description
IC504	8-759-247-03	s IC	CXD8810BQ
IC505	8-759-654-93	s IC	CXD9100AR
IC506	8-752-306-51	s IC	CX23065A
IC507	8-759-836-57	s IC	TL082CDR
IC508	8-759-543-66	s IC	SN74LVTH245ANS
IC509	8-759-475-22	s IC	TC74LCX245F(EL)
IC510	8-759-475-22	s IC	TC74LCX245F(EL)
IC511	8-759-475-22	s IC	TC74LCX245F(EL)
IC512	6-704-158-01	s IC	S-80827CNUA-B8MT2G
IC514	8-759-234-77	s IC	TC4S66F
IC600	8-759-052-52	s IC	L78M05T-FA
IC601	8-759-680-44	s IC	TLC2272CDR
IC602	6-700-668-01	s IC	TLC2274CDR
IC603	8-752-357-63	s IC	CXD2308Q
IC604	8-759-822-95	s IC	L79M05T-FA
IC605	8-759-907-81	s IC	SN74LS221N(S)
IC606	8-759-836-57	s IC	TL082CDR
IC607	8-759-836-57	s IC	TL082CDR
IC608	8-759-082-61	s IC	TC4W53FU
IC609	8-759-052-52	s IC	L78M05T-FA
IC610	8-752-357-63	s IC	CXD2308Q
IC611	8-759-822-95	s IC	L79M05T-FA
IC612	8-759-836-57	s IC	TL082CDR
IC613	8-759-082-61	s IC	TC4W53FU
IC614	8-752-061-02	s IC	CXA1450M
IC615	8-759-082-58	s IC	TC7W08FU
IC619	8-759-485-87	s IC	TL431CDR2
IC621	8-759-485-87	s IC	TL431CDR2
IC623	8-759-836-57	s IC	TL082CDR
IC624	8-759-836-57	s IC	TL082CDR
IC625	8-759-098-16	s IC	LT1227CS8
IC626	8-759-271-04	s IC	LT1252CS8
IC627	8-759-098-16	s IC	LT1227CS8
IC628	8-759-271-04	s IC	LT1252CS8
IC629	8-759-098-16	s IC	LT1227CS8
IC630	8-759-271-04	s IC	LT1252CS8
IC631	8-759-098-16	s IC	LT1227CS8
IC632	8-759-271-04	s IC	LT1252CS8
IC633	8-759-098-16	s IC	LT1227CS8
IC634	8-759-271-04	s IC	LT1252CS8
IC635	8-759-082-61	s IC	TC4W53FU
IC636	8-759-082-61	s IC	TC4W53FU
IC637	8-759-082-61	s IC	TC4W53FU
IC750	8-759-081-48	s IC	TC74VHC08F
IC751	8-759-052-52	s IC	L78M05T-FA
IC752	6-704-161-01	s IC	S-80840CNUA-B8ZT2G
IC753	8-759-582-53	s IC	UPD78014FGC-632-AB8
IC754	8-759-430-21	s IC	MSM6524GS-KR1
IC755	8-759-430-21	s IC	MSM6524GS-KR1
IC756	8-759-082-57	s IC	TC7W04FU
IC757	8-759-674-09	s IC	MM74HCT04SJX
IC758	8-759-277-19	s IC	UPD485505G-35
IC759	8-759-277-19	s IC	UPD485505G-35
IC760	8-759-277-19	s IC	UPD485505G-35
IC761	8-759-548-77	s IC	SN74LV245ANSR
IC762	8-759-674-09	s IC	MM74HCT04SJX
IC763	8-759-035-90	s IC	SC7S02F
IC1000	8-759-052-52	s IC	L78M05T-FA
IC1001	8-759-446-74	s IC	TA79L05F(TE12L)

(VPR-1 BOARD suffix 18 or higher)

Ref. No. or Q'ty	Part No.	SP	Description
IC1002	8-759-239-58	s IC	TC74HC221AF
IC1003	8-759-195-02	s IC	TC7S86F-TE85L
IC1004	8-759-234-08	s IC	TA78L05F
IC1006	6-700-135-01	s IC	TL084CDR
IC1007	8-759-300-71	s IC	HD14053BFP
IC1008	8-759-673-78	s IC	MM74HC151SJX
IC1009	8-759-907-81	s IC	SN74LS221N(S)
IC1010	8-759-987-27	s IC	LM1881M
IC1011	8-759-262-03	s IC	MC14577CF
IC1012	8-759-262-03	s IC	MC14577CF
IC1013	8-759-702-08	s IC	NJM360M
IC1014	8-759-446-74	s IC	TA79L05F(TE12L)
IC1015	8-759-836-57	s IC	TL082CDR
IC1016	8-759-925-05	s IC	LM2903PS
IC1017	8-759-702-08	s IC	NJM360M
IC1018	8-759-234-77	s IC	TC4S66F
IC1019	8-759-599-92	s IC	CXD8817AQ
IC1020	6-700-135-01	s IC	TL084CDR
IC1021	8-759-907-81	s IC	SN74LS221N(S)
IC1022	8-759-907-81	s IC	SN74LS221N(S)
IC1023	8-759-082-57	s IC	TC7W04FU
IC1024	8-759-907-81	s IC	SN74LS221N(S)
IC1025	8-752-334-64	s IC	CXD1171M
IC1026	8-759-548-77	s IC	SN74LV245ANSR
IC1027	8-752-306-51	s IC	CX23065A
IC1028	8-759-925-05	s IC	LM2903PS
IC1029	8-759-836-57	s IC	TL082CDR
IC1030	8-759-702-08	s IC	NJM360M
IC1031	8-752-334-64	s IC	CXD1171M
IC1032	8-759-599-91	s IC	CXD8821AQ
IC1033	8-759-702-08	s IC	NJM360M
IC1034	8-759-082-61	s IC	TC4W53FU
IC1035	8-759-491-36	s IC	TC74VHCT244AF(EL)
IC1036	8-759-543-66	s IC	SN74LVTH245ANS
IC1037	8-759-548-77	s IC	SN74LV245ANSR
IC1038	8-759-475-22	s IC	TC74LCX245F(EL)
IC1039	8-759-475-22	s IC	TC74LCX245F(EL)
IC1040	8-759-475-22	s IC	TC74LCX245F(EL)
IC1041	8-759-475-22	s IC	TC74LCX245F(EL)
IC1042	8-759-081-42	s IC	TC74VHC00F
IC1043	8-759-186-53	s IC	TC74VHC163F
IC1044	8-759-836-57	s IC	TL082CDR
IC1045	6-700-135-01	s IC	TL084CDR
IC1046	8-759-082-57	s IC	TC7W04FU
IC1047	8-759-176-41	s IC	TC74VHC74F(EL)
IC1048	8-759-082-57	s IC	TC7W04FU
IC1049	8-759-234-20	s IC	TC7S08F
IC1050	8-759-673-78	s IC	MM74HC151SJX
IC1051	8-759-184-64	s IC	TC4W66FU
IC1052	8-759-082-61	s IC	TC4W53FU
IC1053	8-759-035-93	s IC	SC7S32F
IC1054	8-759-234-77	s IC	TC4S66F
IC1057	8-759-186-51	s IC	TC74VHC157F
IC1058	8-759-186-51	s IC	TC74VHC157F
IC1095	8-759-925-05	s IC	LM2903PS
IC1192	8-759-239-58	s IC	TC74HC221AF
IC1193	8-759-239-55	s IC	TC74HC123AF
IC1194	8-759-035-93	s IC	SC7S32F
IC1196	8-759-082-59	s IC	TC7W32FU

(VPR-1 BOARD suffix 18 or higher)

Ref. No. or Q'ty	Part No.	SP Description
IC1197	8-759-082-58	s IC TC7W08FU
IC1198	8-759-035-87	s IC SC7S00F
L50	1-410-803-11	s CHIP INDUCTOR 0.047UH (3225)
L106	1-412-194-11	s MICRO INDUCTOR 82UH
L107	1-412-177-11	s MICRO INDUCTOR
L109	1-412-174-11	s MICRO INDUCTOR 1.0 UF
L110	1-412-143-11	s INDUCTOR,MICRO 39UH
L112	1-412-188-11	s MICRO INDUCTOR 22UH
L113	1-412-177-11	s MICRO INDUCTOR
L115	1-412-174-11	s MICRO INDUCTOR 1.0 UF
L300	1-410-803-31	s CHIP INDUCTOR 0.047UH
L301	1-410-803-31	s CHIP INDUCTOR 0.047UH
L302	1-410-803-31	s CHIP INDUCTOR 0.047UH
L303	1-410-803-31	s CHIP INDUCTOR 0.047UH
L304	1-410-803-31	s CHIP INDUCTOR 0.047UH
L306	1-410-393-11	s CHIP INDUCTOR 100UH (3225)
L309	1-410-803-31	s CHIP INDUCTOR 0.047UH
L310	1-410-803-31	s CHIP INDUCTOR 0.047UH
L500	1-410-803-31	s CHIP INDUCTOR 0.047UH
L501	1-410-803-31	s CHIP INDUCTOR 0.047UH
L502	1-410-803-31	s CHIP INDUCTOR 0.047UH
L503	1-410-803-31	s CHIP INDUCTOR 0.047UH
L504	1-410-393-11	s CHIP INDUCTOR 100UH (3225)
L505	1-410-803-31	s CHIP INDUCTOR 0.047UH
L506	1-410-803-31	s CHIP INDUCTOR 0.047UH
L507	1-410-803-31	s CHIP INDUCTOR 0.047UH
L508	1-410-393-11	s CHIP INDUCTOR 100UH (3225)
L509	1-410-393-11	s CHIP INDUCTOR 100UH (3225)
L600	1-412-164-11	s MICRO INDUCTOR 0.12UH
L601	1-412-193-11	s MICRO INDUCTOR 68UH
L603	1-412-191-11	s MICRO INDUCTOR 47UH
L605	1-412-191-11	s MICRO INDUCTOR 47UH
L606	1-412-164-11	s MICRO INDUCTOR 0.12UH
L607	1-412-193-11	s MICRO INDUCTOR 68UH
L608	1-412-164-11	s MICRO INDUCTOR 0.12UH
L609	1-412-193-11	s MICRO INDUCTOR 68UH
L610	1-412-137-11	s INDUCTOR,MICRO 10UH
L611	1-412-137-11	s INDUCTOR,MICRO 10UH
L616	1-410-387-11	s CHIP INDUCTOR 33UH (3225)
L750	1-412-526-11	s INDUCTOR,MICRO 12UH
L751	1-412-526-11	s INDUCTOR,MICRO 12UH
L752	1-412-526-11	s INDUCTOR,MICRO 12UH
L753	1-412-526-11	s INDUCTOR,MICRO 12UH
L754	1-412-526-11	s INDUCTOR,MICRO 12UH
L755	1-412-526-11	s INDUCTOR,MICRO 12UH
L756	1-412-526-11	s INDUCTOR,MICRO 12UH
L757	1-412-526-11	s INDUCTOR,MICRO 12UH
L1000	1-412-138-11	s INDUCTOR,MICRO 100UH
L1003	1-410-393-11	s CHIP INDUCTOR 100UH (3225)
L1004	1-410-393-11	s CHIP INDUCTOR 100UH (3225)
L1005	1-410-393-11	s CHIP INDUCTOR 100UH (3225)
L1007	1-412-143-11	s INDUCTOR,MICRO 39UH
L1008	1-412-188-11	s MICRO INDUCTOR 22UH
L1010	1-410-393-11	s CHIP INDUCTOR 100UH (3225)
L1011	1-410-393-11	s CHIP INDUCTOR 100UH (3225)
L1012	1-412-137-11	s INDUCTOR,MICRO 10UH
L1013	1-412-137-11	s INDUCTOR,MICRO 10UH
L1014	1-410-393-11	s CHIP INDUCTOR 100UH (3225)

(VPR-1 BOARD suffix 18 or higher)

Ref. No. or Q'ty	Part No.	SP Description
L1016	1-412-191-11	s MICRO INDUCTOR 47UH
L1017	1-412-191-11	s MICRO INDUCTOR 47UH
L1018	1-412-191-11	s MICRO INDUCTOR 47UH
L1019	1-412-191-11	s MICRO INDUCTOR 47UH
L1020	1-410-803-31	s CHIP INDUCTOR 0.047UH
L1021	1-410-803-31	s CHIP INDUCTOR 0.047UH
L1022	1-410-803-31	s CHIP INDUCTOR 0.047UH
L1023	1-410-803-31	s CHIP INDUCTOR 0.047UH
L1024	1-410-803-31	s CHIP INDUCTOR 0.047UH
PS100	△ 1-533-272-11	s FUSE, CHIP 4A (6125)
Q100	8-729-140-63	s TRANSISTOR 2SA1611-M5M6
Q101	8-729-117-32	s TRANSISTOR 2SC4177
Q102	8-729-140-63	s TRANSISTOR 2SA1611-M5M6
Q103	8-729-140-63	s TRANSISTOR 2SA1611-M5M6
Q104	8-729-140-63	s TRANSISTOR 2SA1611-M5M6
Q105	8-729-140-63	s TRANSISTOR 2SA1611-M5M6
Q106	8-729-117-32	s TRANSISTOR 2SC4177
Q107	8-729-117-32	s TRANSISTOR 2SC4177
Q108	8-729-117-32	s TRANSISTOR 2SC4177
Q109	8-729-117-32	s TRANSISTOR 2SC4177
Q111	8-729-117-32	s TRANSISTOR 2SC4177
Q112	8-729-117-32	s TRANSISTOR 2SC4177
Q113	8-729-117-32	s TRANSISTOR 2SC4177
Q114	8-729-117-32	s TRANSISTOR 2SC4177
Q115	8-729-117-32	s TRANSISTOR 2SC4177
Q116	8-729-143-07	s TRANSISTOR 2SA1610-Y33
Q117	8-729-117-32	s TRANSISTOR 2SC4177
Q118	8-729-143-07	s TRANSISTOR 2SA1610-Y33
Q119	8-729-106-68	s TRANSISTOR 2SD1615A-GP
Q123	8-729-117-32	s TRANSISTOR 2SC4177
Q124	8-729-117-32	s TRANSISTOR 2SC4177
Q125	8-729-117-32	s TRANSISTOR 2SC4177
Q126	8-729-117-32	s TRANSISTOR 2SC4177
Q127	8-729-117-32	s TRANSISTOR 2SC4177
Q128	8-729-117-32	s TRANSISTOR 2SC4177
Q129	8-729-140-63	s TRANSISTOR 2SA1611-M5M6
Q600	8-729-140-63	s TRANSISTOR 2SA1611-M5M6
Q601	8-729-117-32	s TRANSISTOR 2SC4177
Q602	8-729-140-63	s TRANSISTOR 2SA1611-M5M6
Q603	8-729-117-32	s TRANSISTOR 2SC4177
Q604	8-729-140-63	s TRANSISTOR 2SA1611-M5M6
Q605	8-729-117-32	s TRANSISTOR 2SC4177
Q606	8-729-140-63	s TRANSISTOR 2SA1611-M5M6
Q607	8-729-117-32	s TRANSISTOR 2SC4177
Q608	8-729-140-63	s TRANSISTOR 2SA1611-M5M6
Q609	8-729-117-32	s TRANSISTOR 2SC4177
Q620	8-729-117-32	s TRANSISTOR 2SC4177
Q750	8-729-140-63	s TRANSISTOR 2SA1611-M5M6
Q1000	8-729-140-63	s TRANSISTOR 2SA1611-M5M6
Q1001	8-729-140-63	s TRANSISTOR 2SA1611-M5M6
Q1002	8-729-143-07	s TRANSISTOR 2SA1610-Y33
Q1003	8-729-143-07	s TRANSISTOR 2SA1610-Y33
Q1004	8-729-140-63	s TRANSISTOR 2SA1611-M5M6
Q1005	8-729-140-63	s TRANSISTOR 2SA1611-M5M6
Q1006	8-729-140-63	s TRANSISTOR 2SA1611-M5M6
Q1007	8-729-029-14	s TRANSISTOR DTC144EUA-T106
Q1008	8-729-117-32	s TRANSISTOR 2SC4177
Q1009	8-729-140-63	s TRANSISTOR 2SA1611-M5M6

(VPR-1 BOARD suffix 18 or higher)

Ref. No. or Q'ty	Part No.	SP	Description
Q1010	8-729-117-32	s	TRANSISTOR 2SC4177
Q1011	8-729-117-32	s	TRANSISTOR 2SC4177
Q1012	8-729-117-32	s	TRANSISTOR 2SC4177
R50	1-216-025-91	s	RESISTOR,CHIP 100 1/10W(2125)
R51	1-216-295-91	s	RESISTOR, CHIP 0 (1/10W)
R53	1-216-661-11	s	RESISTOR,CHIP 2.7K 1/10W(2012)
R54	1-216-661-11	s	RESISTOR,CHIP 2.7K 1/10W(2012)
R55	1-216-661-11	s	RESISTOR,CHIP 2.7K 1/10W(2012)
R57	1-216-295-91	s	RESISTOR, CHIP 0 (1/10W)
R59	1-216-295-91	s	RESISTOR, CHIP 0 (1/10W)
R60	1-216-295-91	s	RESISTOR, CHIP 0 (1/10W)
R61	1-216-295-91	s	RESISTOR, CHIP 0 (1/10W)
R64	1-216-295-91	s	RESISTOR, CHIP 0 (1/10W)
R65	1-216-295-91	s	RESISTOR, CHIP 0 (1/10W)
R66	1-216-295-91	s	RESISTOR, CHIP 0 (1/10W)
R72	1-216-295-91	s	RESISTOR, CHIP 0 (1/10W)
R73	1-216-295-91	s	RESISTOR, CHIP 0 (1/10W)
R74	1-216-295-91	s	RESISTOR, CHIP 0 (1/10W)
R78	1-216-658-11	s	RESISTOR,CHIP 2.0K 1/10W(2012)
R79	1-216-679-11	s	RESISTOR CHIP 15K 1/10W (2012)
R82	1-216-109-00	s	RESISTOR CHIP 330K 1/10W(2012)
R83	1-216-686-11	s	RESISTOR, METAL FILM 30K 1/10W
R84	1-216-658-11	s	RESISTOR,CHIP 2.0K 1/10W(2012)
R85	1-216-692-11	s	RESISTOR CHIP 51K 1/10W (2012)
R86	1-216-109-00	s	RESISTOR CHIP 330K 1/10W(2012)
R87	1-216-692-11	s	RESISTOR CHIP 51K 1/10W (2012)
R88	1-216-657-11	s	RESISTOR,CHIP 1.8K 1/10W(2012)
R89	1-216-692-11	s	RESISTOR CHIP 51K 1/10W (2012)
R91	1-216-295-91	s	RESISTOR, CHIP 0 (1/10W)
R100	1-216-025-91	s	RESISTOR,CHIP 100 1/10W(2125)
R101	1-216-675-11	s	RESISTOR CHIP 10K 1/10W(2012)
R102	1-216-065-91	s	RESISTOR,CHIP 4.7K (2012)
R103	1-216-017-91	s	RESISTOR, CHIP 47 1/10W(2012)
R104	1-216-643-11	s	RESISTOR CHIP 470 1/10W (2012)
R105	1-216-017-91	s	RESISTOR, CHIP 47 1/10W(2012)
R106	1-216-624-11	s	RESISTOR,CHIP 75 1/10W(2012)
R107	1-216-017-91	s	RESISTOR, CHIP 47 1/10W(2012)
R108	1-216-624-11	s	RESISTOR,CHIP 75 1/10W(2012)
R109	1-216-017-91	s	RESISTOR, CHIP 47 1/10W(2012)
R110	1-216-624-11	s	RESISTOR,CHIP 75 1/10W(2012)
R111	1-216-049-91	s	RESISTOR,CHIP 1K 1/10W(2125)
R112	1-216-053-00	s	RESISTOR CHIP 1.5K 1/10W(2012)
R113	1-216-643-11	s	RESISTOR CHIP 470 1/10W (2012)
R114	1-216-053-00	s	RESISTOR CHIP 1.5K 1/10W(2012)
R115	1-216-643-11	s	RESISTOR CHIP 470 1/10W (2012)
R116	1-216-631-11	s	RESISTOR,CHIP 150 1/10W (2012)
R117	1-216-049-91	s	RESISTOR,CHIP 1K 1/10W(2125)
R118	1-216-631-11	s	RESISTOR,CHIP 150 1/10W (2012)
R119	1-216-643-11	s	RESISTOR CHIP 470 1/10W (2012)
R120	1-216-643-11	s	RESISTOR CHIP 470 1/10W (2012)
R121	1-216-049-91	s	RESISTOR,CHIP 1K 1/10W(2125)
R122	1-216-049-91	s	RESISTOR,CHIP 1K 1/10W(2125)
R123	1-216-049-91	s	RESISTOR,CHIP 1K 1/10W(2125)
R124	1-216-617-11	s	RESISTOR,CHIP 39 1/10W(2012)
R125	1-216-617-11	s	RESISTOR,CHIP 39 1/10W(2012)
R126	1-216-621-11	s	RESISTOR,CHIP 56 1/10W (2012)
R127	1-216-049-91	s	RESISTOR,CHIP 1K 1/10W(2125)
R128	1-216-639-11	s	RESISTOR,CHIP 330 1/10W (2012)

(VPR-1 BOARD suffix 18 or higher)

Ref. No. or Q'ty	Part No.	SP	Description
R129	1-216-639-11	s	RESISTOR,CHIP 330 1/10W (2012)
R130	1-216-643-11	s	RESISTOR CHIP 470 1/10W (2012)
R131	1-216-639-11	s	RESISTOR,CHIP 330 1/10W (2012)
R132	1-216-659-11	s	RESISTOR,CHIP 2.2K 1/10W(2012)
R133	1-216-635-11	s	RESISTOR CHIP 220 1/10W (2012)
R134	1-216-659-11	s	RESISTOR,CHIP 2.2K 1/10W(2012)
R135	1-216-635-11	s	RESISTOR CHIP 220 1/10W (2012)
R136	1-216-659-11	s	RESISTOR,CHIP 2.2K 1/10W(2012)
R137	1-216-635-11	s	RESISTOR CHIP 220 1/10W (2012)
R138	1-216-661-11	s	RESISTOR,CHIP 2.7K 1/10W(2012)
R139	1-216-667-11	s	RESISTOR,CHIP 4.7K 1/10W(2012)
R140	1-216-667-11	s	RESISTOR,CHIP 4.7K 1/10W(2012)
R141	1-216-667-11	s	RESISTOR,CHIP 4.7K 1/10W(2012)
R142	1-216-025-91	s	RESISTOR,CHIP 100 1/10W(2125)
R143	1-216-025-91	s	RESISTOR,CHIP 100 1/10W(2125)
R144	1-216-025-91	s	RESISTOR,CHIP 100 1/10W(2125)
R145	1-216-678-11	s	RESISTOR,CHIP 13K 1/10W(2012)
R146	1-216-687-11	s	RESISTOR CHIP 33K 1/10W (2012)
R148	1-216-678-11	s	RESISTOR,CHIP 13K 1/10W(2012)
R149	1-216-049-91	s	RESISTOR,CHIP 1K 1/10W(2125)
R150	1-216-675-11	s	RESISTOR CHIP 10K 1/10W(2012)
R151	1-216-667-11	s	RESISTOR,CHIP 4.7K 1/10W(2012)
R152	1-216-041-00	s	RESISTOR, CHIP 470 1/10W(2012)
R153	1-216-041-00	s	RESISTOR, CHIP 470 1/10W(2012)
R154	1-216-041-00	s	RESISTOR, CHIP 470 1/10W(2012)
R155	1-216-619-11	s	RESISTOR CHIP 47 1/10W(2012)
R156	1-216-627-11	s	RESISTOR,CHIP 100 1/10W (2012)
R157	1-216-017-91	s	RESISTOR, CHIP 47 1/10W(2012)
R158	1-216-627-11	s	RESISTOR,CHIP 100 1/10W (2012)
R159	1-216-057-00	s	RESISTOR CHIP 2.2K 1/10W(2012)
R160	1-216-017-91	s	RESISTOR, CHIP 47 1/10W(2012)
R161	1-216-057-00	s	RESISTOR CHIP 2.2K 1/10W(2012)
R162	1-216-017-91	s	RESISTOR, CHIP 47 1/10W(2012)
R163	1-216-057-00	s	RESISTOR CHIP 2.2K 1/10W(2012)
R164	1-216-073-00	s	RESISTOR,CHIP 10K 1/10W(2012)
R165	1-216-057-00	s	RESISTOR CHIP 2.2K 1/10W(2012)
R166	1-216-644-11	s	RESISTOR CHIP 510 1/10W (2012)
R167	1-216-653-11	s	RESISTOR CHIP 1.2K 1/10W(2012)
R168	1-216-644-11	s	RESISTOR CHIP 510 1/10W (2012)
R169	1-216-057-00	s	RESISTOR CHIP 2.2K 1/10W(2012)
R170	1-216-639-11	s	RESISTOR,CHIP 330 1/10W (2012)
R171	1-216-057-00	s	RESISTOR CHIP 2.2K 1/10W(2012)
R172	1-216-057-00	s	RESISTOR CHIP 2.2K 1/10W(2012)
R173	1-216-073-00	s	RESISTOR,CHIP 10K 1/10W(2012)
R174	1-216-675-11	s	RESISTOR CHIP 10K 1/10W(2012)
R175	1-216-121-91	s	RESISTOR CHIP 1M 1/10W(2125)
R176	1-216-073-00	s	RESISTOR,CHIP 10K 1/10W(2012)
R177	1-216-041-00	s	RESISTOR, CHIP 470 1/10W(2012)
R178	1-216-065-91	s	RESISTOR,CHIP 4.7K (2012)
R179	1-216-121-91	s	RESISTOR CHIP 1M 1/10W(2125)
R180	1-216-049-91	s	RESISTOR,CHIP 1K 1/10W(2125)
R181	1-216-675-11	s	RESISTOR CHIP 10K 1/10W(2012)
R182	1-216-041-00	s	RESISTOR, CHIP 470 1/10W(2012)
R183	1-216-049-91	s	RESISTOR,CHIP 1K 1/10W(2125)
R184	1-216-065-91	s	RESISTOR,CHIP 4.7K (2012)
R185	1-216-651-11	s	RESISTOR,CHIP 1K 1/10W(2012)
R186	1-216-661-11	s	RESISTOR,CHIP 2.7K 1/10W(2012)
R187	1-216-651-11	s	RESISTOR,CHIP 1K 1/10W(2012)
R188	1-216-081-00	s	RESISTOR,CHIP 22K 1/10W(2012)

(VPR-1 BOARD suffix 18 or higher)

Ref. No. or Q'ty	Part No.	SP Description
R189	1-216-081-00	s RESISTOR,CHIP 22K 1/10W(2012)
R190	1-216-081-00	s RESISTOR,CHIP 22K 1/10W(2012)
R191	1-216-029-00	s RESISTOR,CHIP 150 1/10W(2012)
R192	1-216-017-91	s RESISTOR, CHIP 47 1/10W(2012)
R193	1-216-669-11	s RESISTOR,CHIP 5.6K 1/10W(2012)
R194	1-216-665-11	s RESISTOR,CHIP 3.9K 1/10W(2012)
R195	1-216-665-11	s RESISTOR,CHIP 3.9K 1/10W(2012)
R196	1-216-633-11	s RESISTOR,CHIP 180 1/10W (2012)
R197	1-216-659-11	s RESISTOR,CHIP 2.2K 1/10W(2012)
R198	1-216-645-11	s RESISTOR,CHIP 560 1/10W(2012)
R199	1-216-650-11	s RESISTOR,CHIP 910 1/10W(2012)
R200	1-216-651-11	s RESISTOR,CHIP 1K 1/10W(2012)
R201	1-216-669-11	s RESISTOR,CHIP 5.6K 1/10W(2012)
R202	1-216-679-11	s RESISTOR CHIP 15K 1/10W (2012)
R203	1-216-659-11	s RESISTOR,CHIP 2.2K 1/10W(2012)
R204	1-216-645-11	s RESISTOR,CHIP 560 1/10W(2012)
R205	1-216-650-11	s RESISTOR,CHIP 910 1/10W(2012)
R206	1-216-675-11	s RESISTOR CHIP 10K 1/10W(2012)
R207	1-216-643-11	s RESISTOR CHIP 470 1/10W (2012)
R208	1-216-643-11	s RESISTOR CHIP 470 1/10W (2012)
R209	1-216-643-11	s RESISTOR CHIP 470 1/10W (2012)
R210	1-216-675-11	s RESISTOR CHIP 10K 1/10W(2012)
R211	1-216-643-11	s RESISTOR CHIP 470 1/10W (2012)
R212	1-216-041-00	s RESISTOR, CHIP 470 1/10W(2012)
R213	1-216-693-11	s RESISTOR CHIP 56K 1/10W (2012)
R214	1-216-693-11	s RESISTOR CHIP 56K 1/10W (2012)
R215	1-216-679-11	s RESISTOR CHIP 15K 1/10W (2012)
R216	1-216-025-91	s RESISTOR,CHIP 100 1/10W(2125)
R217	1-216-643-11	s RESISTOR CHIP 470 1/10W (2012)
R218	1-216-643-11	s RESISTOR CHIP 470 1/10W (2012)
R219	1-216-133-00	s RESISTOR,CHIP 3.3M 1/10W(2012)
R220	1-216-133-00	s RESISTOR,CHIP 3.3M 1/10W(2012)
R222	1-216-121-91	s RESISTOR CHIP 1M 1/10W(2125)
R223	1-216-644-11	s RESISTOR CHIP 510 1/10W (2012)
R224	1-216-651-11	s RESISTOR,CHIP 1K 1/10W(2012)
R225	1-216-658-11	s RESISTOR,CHIP 2.0K 1/10W(2012)
R226	1-216-644-11	s RESISTOR CHIP 510 1/10W (2012)
R227	1-216-683-11	s RESISTOR CHIP 22K 1/10W (2012)
R228	1-216-683-11	s RESISTOR CHIP 22K 1/10W (2012)
R229	1-216-651-11	s RESISTOR,CHIP 1K 1/10W(2012)
R230	1-216-658-11	s RESISTOR,CHIP 2.0K 1/10W(2012)
R231	1-216-683-11	s RESISTOR CHIP 22K 1/10W (2012)
R232	1-216-683-11	s RESISTOR CHIP 22K 1/10W (2012)
R233	1-216-675-11	s RESISTOR CHIP 10K 1/10W(2012)
R234	1-216-121-91	s RESISTOR CHIP 1M 1/10W(2125)
R235	1-216-041-00	s RESISTOR, CHIP 470 1/10W(2012)
R236	1-216-065-91	s RESISTOR,CHIP 4.7K (2012)
R260	1-216-295-91	s RESISTOR, CHIP 0 (1/10W)
R274	1-216-025-91	s RESISTOR,CHIP 100 1/10W(2125)
R275	1-216-025-91	s RESISTOR,CHIP 100 1/10W(2125)
R276	1-216-025-91	s RESISTOR,CHIP 100 1/10W(2125)
R277	1-216-025-91	s RESISTOR,CHIP 100 1/10W(2125)
R278	1-216-025-91	s RESISTOR,CHIP 100 1/10W(2125)
R279	1-216-025-91	s RESISTOR,CHIP 100 1/10W(2125)
R280	1-216-025-91	s RESISTOR,CHIP 100 1/10W(2125)
R281	1-216-025-91	s RESISTOR,CHIP 100 1/10W(2125)
R282	1-216-649-11	s RESISTOR,CHIP 820 1/10W (2012)
R290	1-216-295-91	s RESISTOR, CHIP 0 (1/10W)
R291	1-216-295-91	s RESISTOR, CHIP 0 (1/10W)

(VPR-1 BOARD suffix 18 or higher)

Ref. No. or Q'ty	Part No.	SP Description
R294	1-216-295-91	s RESISTOR, CHIP 0 (1/10W)
R302	1-216-033-00	s RESISTOR,CHIP 220 1/10W(2012)
R308	1-216-033-00	s RESISTOR,CHIP 220 1/10W(2012)
R310	1-216-049-91	s RESISTOR,CHIP 1K 1/10W(2125)
R314	1-216-033-00	s RESISTOR,CHIP 220 1/10W(2012)
R403	1-216-295-91	s RESISTOR, CHIP 0 (1/10W)
R404	1-216-073-00	s RESISTOR,CHIP 10K 1/10W(2012)
R405	1-216-073-00	s RESISTOR,CHIP 10K 1/10W(2012)
R409	1-216-049-91	s RESISTOR,CHIP 1K 1/10W(2125)
R411	1-216-295-91	s RESISTOR, CHIP 0 (1/10W)
R415	1-216-295-91	s RESISTOR, CHIP 0 (1/10W)
R416	1-216-295-91	s RESISTOR, CHIP 0 (1/10W)
R423	1-216-295-91	s RESISTOR, CHIP 0 (1/10W)
R424	1-216-089-91	s RESISTOR, CHIP 47K
R439	1-216-073-00	s RESISTOR,CHIP 10K 1/10W(2012)
R493	1-216-025-91	s RESISTOR,CHIP 100 1/10W(2125)
R500	1-216-033-00	s RESISTOR,CHIP 220 1/10W(2012)
R501	1-216-033-00	s RESISTOR,CHIP 220 1/10W(2012)
R502	1-216-033-00	s RESISTOR,CHIP 220 1/10W(2012)
R503	1-216-017-91	s RESISTOR, CHIP 47 1/10W(2012)
R505	1-216-295-91	s RESISTOR, CHIP 0 (1/10W)
R517	1-216-295-91	s RESISTOR, CHIP 0 (1/10W)
R521	1-216-295-91	s RESISTOR, CHIP 0 (1/10W)
R524	1-216-295-91	s RESISTOR, CHIP 0 (1/10W)
R527	1-216-689-11	s RESISTOR,CHIP 39K 1/10W(2012)
R528	1-216-653-11	s RESISTOR CHIP 1.2K 1/10W(2012)
R529	1-216-653-11	s RESISTOR CHIP 1.2K 1/10W(2012)
R530	1-216-667-11	s RESISTOR,CHIP 4.7K 1/10W(2012)
R531	1-216-631-11	s RESISTOR,CHIP 150 1/10W (2012)
R532	1-216-654-11	s RESISTOR CHIP 1.3K1/10W (2012)
R533	1-216-658-11	s RESISTOR,CHIP 2.0K 1/10W(2012)
R534	1-216-649-11	s RESISTOR,CHIP 820 1/10W (2012)
R535	1-216-653-11	s RESISTOR CHIP 1.2K 1/10W(2012)
R536	1-216-657-11	s RESISTOR,CHIP 1.8K 1/10W(2012)
R537	1-216-689-11	s RESISTOR,CHIP 39K 1/10W(2012)
R538	1-216-667-11	s RESISTOR,CHIP 4.7K 1/10W(2012)
R539	1-216-631-11	s RESISTOR,CHIP 150 1/10W (2012)
R540	1-216-654-11	s RESISTOR CHIP 1.3K1/10W (2012)
R541	1-216-649-11	s RESISTOR,CHIP 820 1/10W (2012)
R542	1-216-653-11	s RESISTOR CHIP 1.2K 1/10W(2012)
R543	1-216-295-91	s RESISTOR, CHIP 0 (1/10W)
R545	1-216-017-91	s RESISTOR, CHIP 47 1/10W(2012)
R546	1-216-017-91	s RESISTOR, CHIP 47 1/10W(2012)
R548	1-216-017-91	s RESISTOR, CHIP 47 1/10W(2012)
R549	1-216-017-91	s RESISTOR, CHIP 47 1/10W(2012)
R550	1-216-295-91	s RESISTOR, CHIP 0 (1/10W)
R553	1-216-295-91	s RESISTOR, CHIP 0 (1/10W)
R554	1-216-017-91	s RESISTOR, CHIP 47 1/10W(2012)
R556	1-216-653-11	s RESISTOR CHIP 1.2K 1/10W(2012)
R557	1-216-017-91	s RESISTOR, CHIP 47 1/10W(2012)
R558	1-216-017-91	s RESISTOR, CHIP 47 1/10W(2012)
R559	1-216-017-91	s RESISTOR, CHIP 47 1/10W(2012)
R560	1-216-017-91	s RESISTOR, CHIP 47 1/10W(2012)
R561	1-216-667-11	s RESISTOR,CHIP 4.7K 1/10W(2012)
R562	1-216-073-00	s RESISTOR,CHIP 10K 1/10W(2012)
R563	1-216-073-00	s RESISTOR,CHIP 10K 1/10W(2012)
R564	1-216-675-11	s RESISTOR CHIP 10K 1/10W(2012)
R565	1-216-121-91	s RESISTOR CHIP 1M 1/10W(2125)
R566	1-216-025-91	s RESISTOR,CHIP 100 1/10W(2125)

(VPR-1 BOARD suffix 18 or higher)

Ref. No. or Q'ty	Part No.	SP	Description
R567	1-216-295-91	s	RESISTOR, CHIP 0 (1/10W)
R568	1-216-049-91	s	RESISTOR,CHIP 1K 1/10W(2125)
R569	1-216-049-91	s	RESISTOR,CHIP 1K 1/10W(2125)
R570	1-216-025-91	s	RESISTOR,CHIP 100 1/10W(2125)
R571	1-216-025-91	s	RESISTOR,CHIP 100 1/10W(2125)
R572	1-216-667-11	s	RESISTOR,CHIP 4.7K 1/10W(2012)
R573	1-216-631-11	s	RESISTOR,CHIP 150 1/10W (2012)
R574	1-216-654-11	s	RESISTOR CHIP 1.3K1/10W (2012)
R575	1-216-658-11	s	RESISTOR,CHIP 2.0K 1/10W(2012)
R576	1-216-649-11	s	RESISTOR,CHIP 820 1/10W (2012)
R577	1-216-653-11	s	RESISTOR CHIP 1.2K 1/10W(2012)
R578	1-216-689-11	s	RESISTOR,CHIP 39K 1/10W(2012)
R579	1-216-667-11	s	RESISTOR,CHIP 4.7K 1/10W(2012)
R580	1-216-631-11	s	RESISTOR,CHIP 150 1/10W (2012)
R581	1-216-654-11	s	RESISTOR CHIP 1.3K1/10W (2012)
R582	1-216-658-11	s	RESISTOR,CHIP 2.0K 1/10W(2012)
R583	1-216-649-11	s	RESISTOR,CHIP 820 1/10W (2012)
R584	1-216-073-00	s	RESISTOR,CHIP 10K 1/10W(2012)
R585	1-216-653-11	s	RESISTOR CHIP 1.2K 1/10W(2012)
R586	1-216-686-11	s	RESISTOR, METAL FILM 30K 1/10W
R587	1-216-667-11	s	RESISTOR,CHIP 4.7K 1/10W(2012)
R588	1-216-631-11	s	RESISTOR,CHIP 150 1/10W (2012)
R589	1-216-654-11	s	RESISTOR CHIP 1.3K1/10W (2012)
R590	1-216-649-11	s	RESISTOR,CHIP 820 1/10W (2012)
R591	1-216-653-11	s	RESISTOR CHIP 1.2K 1/10W(2012)
R592	1-216-658-11	s	RESISTOR,CHIP 2.0K 1/10W(2012)
R593	1-216-073-00	s	RESISTOR,CHIP 10K 1/10W(2012)
R597	1-216-657-11	s	RESISTOR,CHIP 1.8K 1/10W(2012)
R598	1-216-658-11	s	RESISTOR,CHIP 2.0K 1/10W(2012)
R600	1-216-653-11	s	RESISTOR CHIP 1.2K 1/10W(2012)
R601	1-216-653-11	s	RESISTOR CHIP 1.2K 1/10W(2012)
R602	1-216-653-11	s	RESISTOR CHIP 1.2K 1/10W(2012)
R603	1-216-653-11	s	RESISTOR CHIP 1.2K 1/10W(2012)
R604	1-216-653-11	s	RESISTOR CHIP 1.2K 1/10W(2012)
R605	1-216-653-11	s	RESISTOR CHIP 1.2K 1/10W(2012)
R606	1-216-675-11	s	RESISTOR CHIP 10K 1/10W(2012)
R609	1-216-675-11	s	RESISTOR CHIP 10K 1/10W(2012)
R610	1-216-651-11	s	RESISTOR,CHIP 1K 1/10W(2012)
R612	1-216-675-11	s	RESISTOR,CHIP 10K 1/10W(2012)
R615	1-216-657-11	s	RESISTOR,CHIP 1.8K 1/10W(2012)
R616	1-216-653-11	s	RESISTOR CHIP 1.2K 1/10W(2012)
R617	1-216-657-11	s	RESISTOR,CHIP 1.8K 1/10W(2012)
R618	1-216-651-11	s	RESISTOR,CHIP 1K 1/10W(2012)
R619	1-216-617-11	s	RESISTOR,CHIP 39 1/10W(2012)
R620	1-216-631-11	s	RESISTOR,CHIP 150 1/10W (2012)
R621	1-216-631-11	s	RESISTOR,CHIP 150 1/10W (2012)
R622	1-216-631-11	s	RESISTOR,CHIP 150 1/10W (2012)
R623	1-216-603-11	s	RESISTOR,CHIP 10 1/10W(2012)
R624	1-216-613-11	s	RESISTOR,CHIP 27 1/10W(2012)
R625	1-216-661-11	s	RESISTOR,CHIP 2.7K 1/10W(2012)
R626	1-216-049-91	s	RESISTOR,CHIP 1K 1/10W(2125)
R627	1-216-666-11	s	RESISTOR,CHIP 4.3K 1/10W(2012)
R628	1-216-670-11	s	RESISTOR,CHIP 6.2K 1/10W(2012)
R629	1-216-685-11	s	RESISTOR,CHIP 27K 1/10W(2012)
R630	1-216-625-11	s	RESISTOR,METAL CHIP 82 1/10W
R631	1-216-295-91	s	RESISTOR, CHIP 0 (1/10W)
R632	1-216-651-11	s	RESISTOR,CHIP 1K 1/10W(2012)
R633	1-216-617-11	s	RESISTOR,CHIP 39 1/10W(2012)
R634	1-216-631-11	s	RESISTOR,CHIP 150 1/10W (2012)

(VPR-1 BOARD suffix 18 or higher)

Ref. No. or Q'ty	Part No.	SP	Description
R635	1-216-631-11	s	RESISTOR,CHIP 150 1/10W (2012)
R636	1-216-631-11	s	RESISTOR,CHIP 150 1/10W (2012)
R637	1-216-603-11	s	RESISTOR,CHIP 10 1/10W(2012)
R638	1-216-049-91	s	RESISTOR,CHIP 1K 1/10W(2125)
R639	1-216-658-11	s	RESISTOR,CHIP 2.0K 1/10W(2012)
R640	1-216-670-11	s	RESISTOR,CHIP 6.2K 1/10W(2012)
R641	1-216-666-11	s	RESISTOR,CHIP 4.3K 1/10W(2012)
R642	1-216-679-11	s	RESISTOR CHIP 15K 1/10W (2012)
R643	1-216-133-00	s	RESISTOR,CHIP 3.3M 1/10W(2012)
R644	1-216-133-00	s	RESISTOR,CHIP 3.3M 1/10W(2012)
R645	1-216-133-00	s	RESISTOR,CHIP 3.3M 1/10W(2012)
R646	1-216-049-91	s	RESISTOR,CHIP 1K 1/10W(2125)
R647	1-216-069-00	s	RESISTOR,CHIP 6.8K 1/10W(2012)
R648	1-216-069-00	s	RESISTOR,CHIP 6.8K 1/10W(2012)
R649	1-216-069-00	s	RESISTOR,CHIP 6.8K 1/10W(2012)
R650	1-216-049-91	s	RESISTOR,CHIP 1K 1/10W(2125)
R651	1-216-049-91	s	RESISTOR,CHIP 1K 1/10W(2125)
R652	1-216-049-91	s	RESISTOR,CHIP 1K 1/10W(2125)
R653	1-216-049-91	s	RESISTOR,CHIP 1K 1/10W(2125)
R654	1-216-049-91	s	RESISTOR,CHIP 1K 1/10W(2125)
R655	1-216-625-11	s	RESISTOR,METAL CHIP 82 1/10W
R656	1-216-295-91	s	RESISTOR, CHIP 0 (1/10W)
R658	1-216-651-11	s	RESISTOR,CHIP 1K 1/10W(2012)
R659	1-216-617-11	s	RESISTOR,CHIP 39 1/10W(2012)
R660	1-216-631-11	s	RESISTOR,CHIP 150 1/10W (2012)
R661	1-216-017-91	s	RESISTOR, CHIP 47 1/10W(2012)
R662	1-216-017-91	s	RESISTOR, CHIP 47 1/10W(2012)
R663	1-216-017-91	s	RESISTOR, CHIP 47 1/10W(2012)
R664	1-216-619-11	s	RESISTOR CHIP 47 1/10W(2012)
R665	1-216-619-11	s	RESISTOR CHIP 47 1/10W(2012)
R666	1-216-619-11	s	RESISTOR CHIP 47 1/10W(2012)
R667	1-216-653-11	s	RESISTOR CHIP 1.2K 1/10W(2012)
R668	1-216-653-11	s	RESISTOR CHIP 1.2K 1/10W(2012)
R669	1-216-651-11	s	RESISTOR,CHIP 1K 1/10W(2012)
R671	1-216-689-11	s	RESISTOR,CHIP 39K 1/10W(2012)
R673	1-216-675-11	s	RESISTOR CHIP 10K 1/10W(2012)
R674	1-216-675-11	s	RESISTOR CHIP 10K 1/10W(2012)
R677	1-216-665-11	s	RESISTOR,CHIP 3.9K 1/10W(2012)
R678	1-216-653-11	s	RESISTOR CHIP 1.2K 1/10W(2012)
R679	1-216-653-11	s	RESISTOR CHIP 1.2K 1/10W(2012)
R680	1-216-653-11	s	RESISTOR CHIP 1.2K 1/10W(2012)
R681	1-216-653-11	s	RESISTOR CHIP 1.2K 1/10W(2012)
R682	1-216-631-11	s	RESISTOR,CHIP 150 1/10W (2012)
R683	1-216-631-11	s	RESISTOR,CHIP 150 1/10W (2012)
R684	1-216-603-11	s	RESISTOR,CHIP 10 1/10W(2012)
R685	1-216-049-91	s	RESISTOR,CHIP 1K 1/10W(2125)
R686	1-216-658-11	s	RESISTOR,CHIP 2.0K 1/10W(2012)
R687	1-216-670-11	s	RESISTOR,CHIP 6.2K 1/10W(2012)
R688	1-216-666-11	s	RESISTOR,CHIP 4.3K 1/10W(2012)
R689	1-216-625-11	s	RESISTOR,METAL CHIP 82 1/10W
R690	1-216-295-91	s	RESISTOR, CHIP 0 (1/10W)
R692	1-216-651-11	s	RESISTOR,CHIP 1K 1/10W(2012)
R693	1-216-617-11	s	RESISTOR,CHIP 39 1/10W(2012)
R694	1-216-631-11	s	RESISTOR,CHIP 150 1/10W (2012)
R695	1-216-631-11	s	RESISTOR,CHIP 150 1/10W (2012)
R696	1-216-631-11	s	RESISTOR,CHIP 150 1/10W (2012)
R697	1-216-603-11	s	RESISTOR,CHIP 10 1/10W(2012)
R698	1-216-613-11	s	RESISTOR,CHIP 27 1/10W(2012)
R699	1-216-661-11	s	RESISTOR,CHIP 2.7K 1/10W(2012)

(VPR-1 BOARD suffix 18 or higher)

Ref. No. or Q'ty	Part No.	SP Description
R700	1-216-049-91	s RESISTOR,CHIP 1K 1/10W(2125)
R701	1-216-670-11	s RESISTOR,CHIP 6.2K 1/10W(2012)
R702	1-216-666-11	s RESISTOR,CHIP 4.3K 1/10W(2012)
R703	1-216-619-11	s RESISTOR CHIP 47 1/10W(2012)
R704	1-216-635-11	s RESISTOR CHIP 220 1/10W (2012)
R705	1-216-133-00	s RESISTOR,CHIP 3.3M 1/10W(2012)
R706	1-216-133-00	s RESISTOR,CHIP 3.3M 1/10W(2012)
R707	1-216-616-11	s RESISTOR,CHIP 36 1/10W (2012)
R708	1-216-049-91	s RESISTOR,CHIP 1K 1/10W(2125)
R709	1-216-069-00	s RESISTOR,CHIP 6.8K 1/10W(2012)
R710	1-216-069-00	s RESISTOR,CHIP 6.8K 1/10W(2012)
R711	1-216-049-91	s RESISTOR,CHIP 1K 1/10W(2125)
R712	1-216-065-91	s RESISTOR,CHIP 4.7K (2012)
R713	1-216-025-91	s RESISTOR,CHIP 100 1/10W(2125)
R714	1-216-653-11	s RESISTOR CHIP 1.2K 1/10W(2012)
R715	1-216-667-11	s RESISTOR,CHIP 4.7K 1/10W(2012)
R716	1-216-049-91	s RESISTOR,CHIP 1K 1/10W(2125)
R717	1-216-651-11	s RESISTOR,CHIP 1K 1/10W(2012)
R718	1-216-049-91	s RESISTOR,CHIP 1K 1/10W(2125)
R719	1-216-651-11	s RESISTOR,CHIP 1K 1/10W(2012)
R720	1-216-617-11	s RESISTOR,CHIP 39 1/10W(2012)
R721	1-216-663-11	s RESISTOR,CHIP 3.3K 1/10W(2012)
R722	1-216-017-91	s RESISTOR,CHIP 1K 1/10W(2125)
R723	1-216-017-91	s RESISTOR,CHIP 47 1/10W(2012)
R724	1-216-619-11	s RESISTOR CHIP 47 1/10W(2012)
R725	1-216-049-91	s RESISTOR,CHIP 1K 1/10W(2125)
R726	1-216-049-91	s RESISTOR,CHIP 1K 1/10W(2125)
R727	1-216-631-11	s RESISTOR,CHIP 150 1/10W (2012)
R728	1-216-650-11	s RESISTOR,CHIP 910 1/10W(2012)
R729	1-216-049-91	s RESISTOR,CHIP 1K 1/10W(2125)
R730	1-216-049-91	s RESISTOR,CHIP 1K 1/10W(2125)
R731	1-216-081-00	s RESISTOR,CHIP 22K 1/10W(2012)
R732	1-216-017-91	s RESISTOR,CHIP 47 1/10W(2012)
R733	1-216-619-11	s RESISTOR CHIP 47 1/10W(2012)
R734	1-216-081-00	s RESISTOR,CHIP 22K 1/10W(2012)
R735	1-216-025-91	s RESISTOR,CHIP 100 1/10W(2125)
R736	1-216-025-91	s RESISTOR,CHIP 100 1/10W(2125)
R737	1-216-025-91	s RESISTOR,CHIP 100 1/10W(2125)
R738	1-216-025-91	s RESISTOR,CHIP 100 1/10W(2125)
R739	1-216-025-91	s RESISTOR,CHIP 100 1/10W(2125)
R740	1-216-025-91	s RESISTOR,CHIP 100 1/10W(2125)
R741	1-216-049-91	s RESISTOR,CHIP 1K 1/10W(2125)
R742	1-216-049-91	s RESISTOR,CHIP 1K 1/10W(2125)
R743	1-216-631-11	s RESISTOR,CHIP 150 1/10W (2012)
R744	1-216-631-11	s RESISTOR,CHIP 150 1/10W (2012)
R745	1-216-603-11	s RESISTOR,CHIP 10 1/10W(2012)
R746	1-216-613-11	s RESISTOR,CHIP 27 1/10W(2012)
R747	1-216-661-11	s RESISTOR,CHIP 2.7K 1/10W(2012)
R748	1-216-666-11	s RESISTOR,CHIP 4.3K 1/10W(2012)
R749	1-216-670-11	s RESISTOR,CHIP 6.2K 1/10W(2012)
R750	1-216-065-91	s RESISTOR,CHIP 4.7K (2012)
R751	1-216-073-00	s RESISTOR,CHIP 10K 1/10W(2012)
R752	1-216-097-91	s RESISTOR,CHIP 100K 1/10W(2012)
R753	1-216-073-00	s RESISTOR,CHIP 10K 1/10W(2012)
R754	1-216-097-91	s RESISTOR,CHIP 100K 1/10W(2012)
R755	1-216-049-91	s RESISTOR,CHIP 1K 1/10W(2125)
R756	1-216-049-91	s RESISTOR,CHIP 1K 1/10W(2125)
R757	1-216-073-00	s RESISTOR,CHIP 10K 1/10W(2012)
R758	1-216-073-00	s RESISTOR,CHIP 10K 1/10W(2012)

(VPR-1 BOARD suffix 18 or higher)

Ref. No. or Q'ty	Part No.	SP Description
R759	1-216-073-00	s RESISTOR,CHIP 10K 1/10W(2012)
R760	1-216-097-91	s RESISTOR,CHIP 100K 1/10W(2012)
R761	1-216-073-00	s RESISTOR,CHIP 10K 1/10W(2012)
R762	1-216-073-00	s RESISTOR,CHIP 10K 1/10W(2012)
R763	1-216-049-91	s RESISTOR,CHIP 1K 1/10W(2125)
R765	1-216-049-91	s RESISTOR,CHIP 1K 1/10W(2125)
R766	1-216-049-91	s RESISTOR,CHIP 1K 1/10W(2125)
R767	1-216-619-11	s RESISTOR CHIP 47 1/10W(2012)
R768	1-216-616-11	s RESISTOR,CHIP 36 1/10W (2012)
R769	1-216-650-11	s RESISTOR,CHIP 910 1/10W(2012)
R770	1-216-635-11	s RESISTOR CHIP 220 1/10W (2012)
R771	1-216-049-91	s RESISTOR,CHIP 1K 1/10W(2125)
R772	1-216-049-91	s RESISTOR,CHIP 1K 1/10W(2125)
R773	1-216-049-91	s RESISTOR,CHIP 1K 1/10W(2125)
R774	1-216-049-91	s RESISTOR,CHIP 1K 1/10W(2125)
R776	1-216-073-00	s RESISTOR,CHIP 10K 1/10W(2012)
R777	1-216-049-91	s RESISTOR,CHIP 1K 1/10W(2125)
R778	1-216-049-91	s RESISTOR,CHIP 1K 1/10W(2125)
R779	1-216-073-00	s RESISTOR,CHIP 10K 1/10W(2012)
R780	1-216-073-00	s RESISTOR,CHIP 10K 1/10W(2012)
R781	1-216-073-00	s RESISTOR,CHIP 10K 1/10W(2012)
R783	1-216-025-91	s RESISTOR,CHIP 100 1/10W(2125)
R784	1-216-025-91	s RESISTOR,CHIP 100 1/10W(2125)
R785	1-216-025-91	s RESISTOR,CHIP 100 1/10W(2125)
R786	1-216-025-91	s RESISTOR,CHIP 100 1/10W(2125)
R787	1-216-025-91	s RESISTOR,CHIP 100 1/10W(2125)
R788	1-216-025-91	s RESISTOR,CHIP 100 1/10W(2125)
R789	1-216-025-91	s RESISTOR,CHIP 100 1/10W(2125)
R790	1-216-025-91	s RESISTOR,CHIP 100 1/10W(2125)
R791	1-216-041-00	s RESISTOR,CHIP 470 1/10W(2012)
R792	1-216-025-91	s RESISTOR,CHIP 100 1/10W(2125)
R793	1-216-025-91	s RESISTOR,CHIP 100 1/10W(2125)
R794	1-216-025-91	s RESISTOR,CHIP 100 1/10W(2125)
R795	1-216-025-91	s RESISTOR,CHIP 100 1/10W(2125)
R797	1-216-295-91	s RESISTOR,CHIP 0 (1/10W)
R798	1-216-049-91	s RESISTOR,CHIP 1K 1/10W(2125)
R799	1-216-049-91	s RESISTOR,CHIP 1K 1/10W(2125)
R800	1-216-049-91	s RESISTOR,CHIP 1K 1/10W(2125)
R801	1-216-049-91	s RESISTOR,CHIP 1K 1/10W(2125)
R802	1-216-017-91	s RESISTOR,CHIP 47 1/10W(2012)
R804	1-216-049-91	s RESISTOR,CHIP 1K 1/10W(2125)
R805	1-216-675-11	s RESISTOR CHIP 10K 1/10W(2012)
R806	1-216-675-11	s RESISTOR CHIP 10K 1/10W(2012)
R807	1-216-639-11	s RESISTOR,CHIP 330 1/10W (2012)
R808	1-216-653-11	s RESISTOR CHIP 1.2K 1/10W(2012)
R810	1-216-295-91	s RESISTOR,CHIP 0 (1/10W)
R811	1-216-295-91	s RESISTOR,CHIP 0 (1/10W)
R890	1-216-089-91	s RESISTOR,CHIP 47K
R934	1-216-025-91	s RESISTOR,CHIP 100 1/10W(2125)
R935	1-216-025-91	s RESISTOR,CHIP 100 1/10W(2125)
R936	1-216-025-91	s RESISTOR,CHIP 100 1/10W(2125)
R937	1-216-025-91	s RESISTOR,CHIP 100 1/10W(2125)
R940	1-216-679-11	s RESISTOR CHIP 15K 1/10W (2012)
R941	1-216-679-11	s RESISTOR CHIP 15K 1/10W (2012)
R942	1-216-679-11	s RESISTOR CHIP 15K 1/10W (2012)
R943	1-216-679-11	s RESISTOR CHIP 15K 1/10W (2012)
R944	1-216-679-11	s RESISTOR CHIP 15K 1/10W (2012)
R945	1-216-679-11	s RESISTOR CHIP 15K 1/10W (2012)
R946	1-216-679-11	s RESISTOR CHIP 15K 1/10W (2012)

(VPR-1 BOARD suffix 18 or higher)

Ref. No. or Q'ty	Part No.	SP	Description
R947	1-216-679-11	s	RESISTOR CHIP 15K 1/10W (2012)
R948	1-216-679-11	s	RESISTOR CHIP 15K 1/10W (2012)
R949	1-216-679-11	s	RESISTOR CHIP 15K 1/10W (2012)
R950	1-216-025-91	s	RESISTOR,CHIP 100 1/10W(2125)
R963	1-216-025-91	s	RESISTOR,CHIP 100 1/10W(2125)
R976	1-216-025-91	s	RESISTOR,CHIP 100 1/10W(2125)
R978	1-216-295-91	s	RESISTOR, CHIP 0 (1/10W)
R1000	1-216-033-00	s	RESISTOR,CHIP 220 1/10W(2012)
R1001	1-216-133-00	s	RESISTOR,CHIP 3.3M 1/10W(2012)
R1002	1-216-133-00	s	RESISTOR,CHIP 3.3M 1/10W(2012)
R1004	1-216-049-91	s	RESISTOR,CHIP 1K 1/10W(2125)
R1005	1-216-049-91	s	RESISTOR,CHIP 1K 1/10W(2125)
R1006	1-216-651-11	s	RESISTOR,CHIP 1K 1/10W(2012)
R1007	1-216-073-00	s	RESISTOR,CHIP 10K 1/10W(2012)
R1008	1-216-049-91	s	RESISTOR,CHIP 1K 1/10W(2125)
R1009	1-216-017-91	s	RESISTOR, CHIP 47 1/10W(2012)
R1010	1-216-097-91	s	RESISTOR,CHIP 100K 1/10W(2012)
R1011	1-216-121-91	s	RESISTOR CHIP 1M 1/10W(2125)
R1012	1-216-649-11	s	RESISTOR,CHIP 820 1/10W (2012)
R1013	1-216-295-91	s	RESISTOR, CHIP 0 (1/10W)
R1015	1-216-049-91	s	RESISTOR,CHIP 1K 1/10W(2125)
R1016	1-216-049-91	s	RESISTOR,CHIP 1K 1/10W(2125)
R1017	1-216-295-91	s	RESISTOR, CHIP 0 (1/10W)
R1019	1-216-057-00	s	RESISTOR CHIP 2.2K 1/10W(2012)
R1020	1-216-073-00	s	RESISTOR,CHIP 10K 1/10W(2012)
R1021	1-216-057-00	s	RESISTOR CHIP 2.2K 1/10W(2012)
R1022	1-216-051-00	s	RESISTOR,CHIP 1.2K 1/10W(2012)
R1024	1-216-073-00	s	RESISTOR,CHIP 10K 1/10W(2012)
R1025	1-216-651-11	s	RESISTOR,CHIP 1K 1/10W(2012)
R1027	1-216-121-91	s	RESISTOR CHIP 1M 1/10W(2125)
R1028	1-216-651-11	s	RESISTOR,CHIP 1K 1/10W(2012)
R1029	1-216-661-11	s	RESISTOR,CHIP 2.7K 1/10W(2012)
R1030	1-216-635-11	s	RESISTOR CHIP 220 1/10W (2012)
R1031	1-216-057-00	s	RESISTOR CHIP 2.2K 1/10W(2012)
R1032	1-216-675-11	s	RESISTOR CHIP 10K 1/10W(2012)
R1033	1-216-651-11	s	RESISTOR,CHIP 1K 1/10W(2012)
R1034	1-216-025-91	s	RESISTOR,CHIP 100 1/10W(2125)
R1035	1-216-675-11	s	RESISTOR CHIP 10K 1/10W(2012)
R1036	1-216-689-11	s	RESISTOR,CHIP 39K 1/10W(2012)
R1037	1-216-677-11	s	RESISTOR,CHIP 12K 1/10W(2012)
R1038	1-216-651-11	s	RESISTOR,CHIP 1K 1/10W(2012)
R1039	1-216-083-00	s	RESISTOR CHIP 27K 1/10W(2012)
R1040	1-216-049-91	s	RESISTOR,CHIP 1K 1/10W(2125)
R1041	1-216-651-11	s	RESISTOR,CHIP 1K 1/10W(2012)
R1042	1-216-651-11	s	RESISTOR,CHIP 1K 1/10W(2012)
R1043	1-216-121-91	s	RESISTOR CHIP 1M 1/10W(2125)
R1044	1-216-651-11	s	RESISTOR,CHIP 1K 1/10W(2012)
R1045	1-216-089-91	s	RESISTOR, CHIP 47K
R1046	1-216-093-00	s	RESISTOR, CHIP 68K 1/10W(2012)
R1047	1-216-651-11	s	RESISTOR,CHIP 1K 1/10W(2012)
R1048	1-216-049-91	s	RESISTOR,CHIP 1K 1/10W(2125)
R1049	1-216-651-11	s	RESISTOR,CHIP 1K 1/10W(2012)
R1050	1-216-651-11	s	RESISTOR,CHIP 1K 1/10W(2012)
R1051	1-216-121-91	s	RESISTOR CHIP 1M 1/10W(2125)
R1052	1-216-081-00	s	RESISTOR,CHIP 22K 1/10W(2012)
R1053	1-216-295-91	s	RESISTOR, CHIP 0 (1/10W)
R1055	1-216-661-11	s	RESISTOR,CHIP 2.7K 1/10W(2012)
R1056	1-216-675-11	s	RESISTOR CHIP 10K 1/10W(2012)
R1057	1-216-651-11	s	RESISTOR,CHIP 1K 1/10W(2012)

(VPR-1 BOARD suffix 18 or higher)

Ref. No. or Q'ty	Part No.	SP	Description
R1058	1-216-025-91	s	RESISTOR,CHIP 100 1/10W(2125)
R1059	1-216-025-91	s	RESISTOR,CHIP 100 1/10W(2125)
R1060	1-216-025-91	s	RESISTOR,CHIP 100 1/10W(2125)
R1062	1-216-025-91	s	RESISTOR,CHIP 100 1/10W(2125)
R1063	1-216-025-91	s	RESISTOR,CHIP 100 1/10W(2125)
R1064	1-216-069-00	s	RESISTOR,CHIP 6.8K 1/10W(2012)
R1065	1-216-073-00	s	RESISTOR,CHIP 10K 1/10W(2012)
R1066	1-216-663-11	s	RESISTOR,CHIP 3.3K 1/10W(2012)
R1067	1-216-097-91	s	RESISTOR,CHIP 100K 1/10W(2012)
R1068	1-216-049-91	s	RESISTOR,CHIP 1K 1/10W(2125)
R1072	1-216-295-91	s	RESISTOR, CHIP 0 (1/10W)
R1073	1-216-073-00	s	RESISTOR,CHIP 10K 1/10W(2012)
R1074	1-216-041-00	s	RESISTOR, CHIP 470 1/10W(2012)
R1077	1-216-683-11	s	RESISTOR CHIP 22K 1/10W (2012)
R1078	1-216-057-00	s	RESISTOR CHIP 2.2K 1/10W(2012)
R1079	1-216-683-11	s	RESISTOR CHIP 22K 1/10W (2012)
R1080	1-216-295-91	s	RESISTOR, CHIP 0 (1/10W)
R1081	1-216-697-91	s	RESISTOR CHIP METAL OXIDE 82K
R1082	1-216-667-11	s	RESISTOR,CHIP 4.7K 1/10W(2012)
R1083	1-216-651-11	s	RESISTOR,CHIP 1K 1/10W(2012)
R1084	1-216-073-00	s	RESISTOR,CHIP 10K 1/10W(2012)
R1085	1-216-081-00	s	RESISTOR,CHIP 22K 1/10W(2012)
R1086	1-216-073-00	s	RESISTOR,CHIP 10K 1/10W(2012)
R1087	1-216-017-91	s	RESISTOR, CHIP 47 1/10W(2012)
R1088	1-216-667-11	s	RESISTOR,CHIP 4.7K 1/10W(2012)
R1089	1-216-017-91	s	RESISTOR, CHIP 47 1/10W(2012)
R1090	1-216-085-00	s	RESISTOR CHIP 33K 1/10W(2012)
R1091	1-216-073-00	s	RESISTOR,CHIP 10K 1/10W(2012)
R1092	1-216-085-00	s	RESISTOR CHIP 33K 1/10W(2012)
R1093	1-216-665-11	s	RESISTOR,CHIP 3.9K 1/10W(2012)
R1094	1-216-663-11	s	RESISTOR,CHIP 3.3K 1/10W(2012)
R1095	1-216-671-11	s	RESISTOR,CHIP 6.8K 1/10W(2012)
R1096	1-216-097-91	s	RESISTOR,CHIP 100K 1/10W(2012)
R1097	1-216-097-91	s	RESISTOR,CHIP 100K 1/10W(2012)
R1098	1-216-097-91	s	RESISTOR,CHIP 100K 1/10W(2012)
R1099	1-216-073-00	s	RESISTOR,CHIP 10K 1/10W(2012)
R1100	1-216-073-00	s	RESISTOR,CHIP 10K 1/10W(2012)
R1101	1-216-097-91	s	RESISTOR,CHIP 100K 1/10W(2012)
R1102	1-216-643-11	s	RESISTOR CHIP 470 1/10W (2012)
R1103	1-216-643-11	s	RESISTOR CHIP 470 1/10W (2012)
R1104	1-216-073-00	s	RESISTOR,CHIP 10K 1/10W(2012)
R1105	1-216-685-11	s	RESISTOR,CHIP 27K 1/10W(2012)
R1106	1-216-675-11	s	RESISTOR CHIP 10K 1/10W(2012)
R1107	1-216-065-91	s	RESISTOR,CHIP 4.7K (2012)
R1108	1-216-073-00	s	RESISTOR,CHIP 10K 1/10W(2012)
R1109	1-216-295-91	s	RESISTOR, CHIP 0 (1/10W)
R1112	1-216-065-91	s	RESISTOR,CHIP 4.7K (2012)
R1113	1-216-025-91	s	RESISTOR,CHIP 100 1/10W(2125)
R1114	1-216-049-91	s	RESISTOR,CHIP 1K 1/10W(2125)
R1115	1-216-689-11	s	RESISTOR,CHIP 39K 1/10W(2012)
R1116	1-216-073-00	s	RESISTOR,CHIP 10K 1/10W(2012)
R1117	1-216-665-11	s	RESISTOR,CHIP 3.9K 1/10W(2012)
R1119	1-216-675-11	s	RESISTOR CHIP 10K 1/10W(2012)
R1120	1-216-663-11	s	RESISTOR,CHIP 3.3K 1/10W(2012)
R1121	1-216-671-11	s	RESISTOR,CHIP 6.8K 1/10W(2012)
R1122	1-216-295-91	s	RESISTOR, CHIP 0 (1/10W)
R1123	1-216-643-11	s	RESISTOR CHIP 470 1/10W (2012)
R1124	1-216-643-11	s	RESISTOR CHIP 470 1/10W (2012)
R1125	1-216-675-11	s	RESISTOR CHIP 10K 1/10W(2012)

(VPR-1 BOARD suffix 18 or higher)

Ref. No. or Q'ty	Part No.	SP	Description
R1126	1-216-685-11	s	RESISTOR,CHIP 27K 1/10W(2012)
R1127	1-216-675-11	s	RESISTOR CHIP 10K 1/10W(2012)
R1128	1-216-295-91	s	RESISTOR, CHIP 0 (1/10W)
R1132	1-216-049-91	s	RESISTOR,CHIP 1K 1/10W(2125)
R1133	1-216-065-91	s	RESISTOR,CHIP 4.7K (2012)
R1134	1-216-025-91	s	RESISTOR,CHIP 100 1/10W(2125)
R1135	1-216-025-91	s	RESISTOR,CHIP 100 1/10W(2125)
R1136	1-216-025-91	s	RESISTOR,CHIP 100 1/10W(2125)
R1137	1-216-643-11	s	RESISTOR CHIP 470 1/10W (2012)
R1138	1-216-643-11	s	RESISTOR CHIP 470 1/10W (2012)
R1139	1-216-643-11	s	RESISTOR CHIP 470 1/10W (2012)
R1140	1-216-675-11	s	RESISTOR CHIP 10K 1/10W(2012)
R1142	1-216-025-91	s	RESISTOR,CHIP 100 1/10W(2125)
R1144	1-216-073-00	s	RESISTOR,CHIP 10K 1/10W(2012)
R1145	1-216-097-91	s	RESISTOR,CHIP 100K 1/10W(2012)
R1146	1-216-097-91	s	RESISTOR,CHIP 100K 1/10W(2012)
R1147	1-216-081-00	s	RESISTOR,CHIP 22K 1/10W(2012)
R1148	1-216-017-91	s	RESISTOR, CHIP 47 1/10W(2012)
R1149	1-216-079-00	s	RESISTOR CHIP 18K 1/10W(2012)
R1154	1-216-025-91	s	RESISTOR,CHIP 100 1/10W(2125)
R1156	1-218-760-11	s	RESISTOR,CHIP 220K 1/10W(2012)
R1157	1-216-643-11	s	RESISTOR CHIP 470 1/10W (2012)
R1159	1-216-025-91	s	RESISTOR,CHIP 100 1/10W(2125)
R1160	1-216-057-00	s	RESISTOR CHIP 2.2K 1/10W(2012)
R1161	1-216-025-91	s	RESISTOR,CHIP 100 1/10W(2125)
R1162	1-216-659-11	s	RESISTOR,CHIP 2.2K 1/10W(2012)
R1165	1-216-025-91	s	RESISTOR,CHIP 100 1/10W(2125)
R1166	1-216-073-00	s	RESISTOR,CHIP 10K 1/10W(2012)
R1167	1-216-695-11	s	RESISTOR,CHIP 68K 1/10W(2012)
R1168	1-216-041-00	s	RESISTOR, CHIP 470 1/10W(2012)
R1169	1-216-675-11	s	RESISTOR CHIP 10K 1/10W(2012)
R1170	1-216-073-00	s	RESISTOR,CHIP 10K 1/10W(2012)
R1171	1-216-667-11	s	RESISTOR,CHIP 4.7K 1/10W(2012)
R1172	1-216-685-11	s	RESISTOR,CHIP 27K 1/10W(2012)
R1173	1-216-659-11	s	RESISTOR,CHIP 2.2K 1/10W(2012)
R1174	1-216-672-11	s	RESISTOR,CHIP 7.5K 1/10W(2012)
R1175	1-216-678-11	s	RESISTOR,CHIP 13K 1/10W(2012)
R1176	1-216-671-11	s	RESISTOR,CHIP 6.8K 1/10W(2012)
R1177	1-216-689-11	s	RESISTOR,CHIP 39K 1/10W(2012)
R1201	1-216-065-91	s	RESISTOR,CHIP 4.7K (2012)
R1202	1-216-065-91	s	RESISTOR,CHIP 4.7K (2012)
R1203	1-216-065-91	s	RESISTOR,CHIP 4.7K (2012)
R1204	1-216-065-91	s	RESISTOR,CHIP 4.7K (2012)
R1205	1-216-065-91	s	RESISTOR,CHIP 4.7K (2012)
R1210	1-216-695-11	s	RESISTOR,CHIP 68K 1/10W(2012)
R1212	1-216-295-91	s	RESISTOR, CHIP 0 (1/10W)
R1214	1-216-687-11	s	RESISTOR CHIP 33K 1/10W (2012)
R1215	1-216-693-11	s	RESISTOR CHIP 56K 1/10W (2012)
R1217	1-216-295-91	s	RESISTOR, CHIP 0 (1/10W)
R1221	1-216-675-11	s	RESISTOR CHIP 10K 1/10W(2012)
R1222	1-216-675-11	s	RESISTOR CHIP 10K 1/10W(2012)
R1223	1-216-675-11	s	RESISTOR CHIP 10K 1/10W(2012)
R1224	1-216-662-11	s	RESISTOR,CHIP 3K 1/10W (2012)
R1225	1-216-675-11	s	RESISTOR CHIP 10K 1/10W(2012)
R1226	1-216-073-00	s	RESISTOR,CHIP 10K 1/10W(2012)
R1227	1-216-295-91	s	RESISTOR, CHIP 0 (1/10W)
R1228	1-216-295-91	s	RESISTOR, CHIP 0 (1/10W)
R1229	1-216-097-91	s	RESISTOR,CHIP 100K 1/10W(2012)
R1230	1-216-097-91	s	RESISTOR,CHIP 100K 1/10W(2012)

(VPR-1 BOARD suffix 18 or higher)

Ref. No. or Q'ty	Part No.	SP	Description
R1231	1-216-097-91	s	RESISTOR,CHIP 100K 1/10W(2012)
R1233	1-216-295-91	s	RESISTOR, CHIP 0 (1/10W)
R1662	1-216-097-91	s	RESISTOR,CHIP 100K 1/10W(2012)
RB50	1-239-309-11	s	RESISTOR ARRAY,CHIP 100K
RB51	1-239-309-11	s	RESISTOR ARRAY,CHIP 100K
RB300	1-239-628-11	s	RESISTOR NETWORK (CHIP TYPE)
RB301	1-239-628-11	s	RESISTOR NETWORK (CHIP TYPE)
RB302	1-239-628-11	s	RESISTOR NETWORK (CHIP TYPE)
RB303	1-239-628-11	s	RESISTOR NETWORK (CHIP TYPE)
RB304	1-239-412-11	s	NETWORK, RESISTOR 100 (1608)
RB305	1-239-412-11	s	NETWORK, RESISTOR 100 (1608)
RB306	1-239-412-11	s	NETWORK, RESISTOR 100 (1608)
RB307	1-239-412-11	s	NETWORK, RESISTOR 100 (1608)
RB308	1-239-412-11	s	NETWORK, RESISTOR 100 (1608)
RB309	1-239-412-11	s	NETWORK, RESISTOR 100 (1608)
RB310	1-239-412-11	s	NETWORK, RESISTOR 100 (1608)
RB311	1-239-412-11	s	NETWORK, RESISTOR 100 (1608)
RB312	1-239-412-11	s	NETWORK, RESISTOR 100 (1608)
RB313	1-239-412-11	s	NETWORK, RESISTOR 100 (1608)
RB314	1-239-412-11	s	NETWORK, RESISTOR 100 (1608)
RB315	1-239-412-11	s	NETWORK, RESISTOR 100 (1608)
RB316	1-239-412-11	s	NETWORK, RESISTOR 100 (1608)
RB317	1-239-412-11	s	NETWORK, RESISTOR 100 (1608)
RB318	1-239-711-11	s	NETWORK, RESISTOR 0 (1608)
RB319	1-239-711-11	s	NETWORK, RESISTOR 0 (1608)
RB320	1-239-711-11	s	NETWORK, RESISTOR 0 (1608)
RB321	1-239-711-11	s	NETWORK, RESISTOR 0 (1608)
RB326	1-239-412-11	s	NETWORK, RESISTOR 100 (1608)
RB327	1-239-412-11	s	NETWORK, RESISTOR 100 (1608)
RB328	1-239-412-11	s	NETWORK, RESISTOR 100 (1608)
RB329	1-239-711-11	s	NETWORK, RESISTOR 0 (1608)
RB330	1-239-412-11	s	NETWORK, RESISTOR 100 (1608)
RB500	1-239-628-11	s	RESISTOR NETWORK (CHIP TYPE)
RB501	1-239-628-11	s	RESISTOR NETWORK (CHIP TYPE)
RB502	1-239-628-11	s	RESISTOR NETWORK (CHIP TYPE)
RB503	1-239-628-11	s	RESISTOR NETWORK (CHIP TYPE)
RB504	1-239-306-11	s	RESISTOR ARRAY,CHIP 10K
RB505	1-239-412-11	s	NETWORK, RESISTOR 100 (1608)
RB506	1-239-412-11	s	NETWORK, RESISTOR 100 (1608)
RB507	1-239-412-11	s	NETWORK, RESISTOR 100 (1608)
RB508	1-239-412-11	s	NETWORK, RESISTOR 100 (1608)
RB509	1-239-412-11	s	NETWORK, RESISTOR 100 (1608)
RB510	1-239-412-11	s	NETWORK, RESISTOR 100 (1608)
RB511	1-239-412-11	s	NETWORK, RESISTOR 100 (1608)
RB512	1-239-412-11	s	NETWORK, RESISTOR 100 (1608)
RB513	1-239-412-11	s	NETWORK, RESISTOR 100 (1608)
TP506	1-535-881-21	o	TERMINAL, TP (AUTO INSERTION)
TP1001	1-535-881-21	o	TERMINAL, TP (AUTO INSERTION)
TP1003	1-535-881-21	o	TERMINAL, TP (AUTO INSERTION)
X300	1-760-275-11	s	OSCILLATOR, CRYSTAL (VCO TYPE)
X500	1-760-263-11	s	OSCILLATOR, CRYSTAL (VCO TYPE)
X1001	1-760-268-11	s	OSCILLATOR, CRYSTAL (VCO TYPE)
X1002	1-767-589-11	s	OSCILLATOR, LITHIUM TANTALATE
X1003	1-760-275-11	s	OSCILLATOR, CRYSTAL (VCO TYPE)



-----  
 VPR-1 BOARD for DVW-A500P, suffix 11 through 17  
 -----

Ref. No. or Q'ty	Part No.	SP	Description
1pc	A-8275-070-B	o	MOUNTED CIRCUIT BOARD, VPR-1AP (For Europa model)
	A-8275-268-B	o	MOUNTED CIRCUIT BOARD, VPR-1APG (For USA and Canada models)
1pc	3-171-453-03	o	PLATE (L), SHIELD, CARD
1pc	3-171-454-02	o	SHEET (L), CARD
1pc	7-682-902-11	s	SCREW +PHW 2.6x5
1pc	3-179-084-01	s	LEVER (R), PC BOARD
1pc	3-179-085-01	s	LEVER (L), PC BOARD
C100	1-163-037-11	s	CERAMIC, CHIP 0.022uF 10% 25V
C101	1-126-933-11	s	ELECT 100uF 20% 16V
C102	1-126-933-11	s	ELECT 100uF 20% 16V
C103	1-163-037-11	s	CERAMIC, CHIP 0.022uF 10% 25V
C104	1-163-037-11	s	CERAMIC, CHIP 0.022uF 10% 25V
C105-107	1-127-517-11	s	ALMUN SOLID 150uF 20% 16V
C108	1-163-037-11	s	CERAMIC, CHIP 0.022uF 10% 25V
C109-111	1-127-517-11	s	ALMUN SOLID 150uF 20% 16V
C112-116	1-163-037-11	s	CERAMIC, CHIP 0.022uF 10% 25V
C117	1-163-243-11	s	CERAMIC, CHIP 47pF 5% 50V (2125)
C118	1-163-125-00	s	CERAMIC, CHIP 220pF 5% 50V (2125)
C119	1-164-232-11	s	CERAMIC, CHIP 0.01uF 10% 100V
C120	1-163-133-00	s	CERAMIC, CHIP 470pF 5% 50V (2125)
C121	1-163-125-00	s	CERAMIC, CHIP 220pF 5% 50V (2125)
C122	1-163-121-00	s	CERAMIC, CHIP 150pF 5% 50V (2125)
C123	1-163-038-00	s	CERAMIC, CHIP 0.1uF 25V (2125)
C124	*7 1-163-239-11	s	CERAMIC, CHIP 33pF 5% 50V (2125)
	*3 1-163-106-00	s	CERAMIC, CHIP 36pF 5% 50V (2125)
	*1 1-163-239-11	s	CERAMIC, CHIP 33pF 5% 50V (2125)
C125	1-163-125-00	s	CERAMIC, CHIP 220pF 5% 50V
C126	1-163-037-11	s	CERAMIC, CHIP 0.022uF 10% 25V
C127	1-163-038-00	s	CERAMIC, CHIP 0.1uF 25V (2125)
C129	*7 1-163-243-11	s	CERAMIC, CHIP 47pF 5% 50V (2125)
	*2 1-163-121-00	s	CERAMIC, CHIP 150pF 5% 50V (2125)
C130-133	1-163-037-11	s	CERAMIC, CHIP 0.022uF 10% 25V
C134	1-164-232-11	s	CERAMIC, CHIP 0.01uF 10% 100V
C135	1-163-037-11	s	CERAMIC, CHIP 0.022uF 10% 25V
C136	*4 1-163-097-00	s	CERAMIC, CHIP 15pF 5% 50V (2125)
	*1 (*3)1-163-235-11	s	CERAMIC, CHIP 22pF 5% 50V (2125)
C137	*4 1-163-127-00	s	CERAMIC, CHIP 270pF 5% 50V (2125)
	*1 (*3)1-163-251-11	s	CERAMIC, CHIP 100pF 5% 50V
C138	*7 1-163-251-11	s	CERAMIC, CHIP 100pF 5% 50V (2125)
	*2 1-163-037-11	s	CERAMIC, CHIP 0.022uF 10% 25V (2125)
C139	1-163-037-11	s	CERAMIC, CHIP 0.022uF 10% 25V
C140	*4 1-163-224-11	s	CERAMIC, CHIP 7pF 50V (2125)
	*1 (*3)1-163-227-11	s	CERAMIC, CHIP 10pF 5% 50V (2125)
C141	*4 1-163-121-00	s	CERAMIC, CHIP 150pF 5% 50V (2125)
	*1 (*3)1-163-243-11	s	CERAMIC, CHIP 47pF 5% 50V (2125)
C142	*4 1-163-127-00	s	CERAMIC, CHIP 270pF 5% 50V (2125)
	*1 (*3)1-163-239-11	s	CERAMIC, CHIP 33pF 5% 50V (2125)
C143	1-163-037-11	s	CERAMIC, CHIP 0.022uF 10% 25V
C144	*4 1-163-121-00	s	CERAMIC, CHIP 150pF 5% 50V (2125)
	*1 (*3)1-163-097-00	s	CERAMIC, CHIP 15pF 5% 50V (2125)
C145	*7 1-163-037-11	s	CERAMIC, CHIP 0.022uF 10% 25V
	*2 1-135-161-21	s	TANTALUM, CHIP 22uF 10% 10V

\*1: Board No. suffix 11 only  
 \*2: Board No. suffix 11 or 12  
 \*3: Board No. suffix 12 only

(VPR-1 BOARD for DVW-A500P, suffix 11 through 17)

Ref. No. or Q'ty	Part No.	SP	Description
C146	*7 1-135-072-21	s	TANTALUM, CHIP 0.22uF 10% 35V
	*2 1-135-161-21	s	TANTALUM, CHIP 22uF 10% 10V
C147	*7 1-163-037-11	s	CERAMIC, CHIP 0.022uF 10% 25V (2125)
	*2 1-135-161-21	s	TANTALUM, CHIP 22uF 10% 10V
C148	1-104-559-11	s	FILM, CHIP 0.047uF 5% 16V (3216)
C149	*7 1-135-072-21	s	TANTALUM, CHIP 0.22uF 10% 35V
	*2 1-135-161-21	s	TANTALUM, CHIP 22uF 10% 10V
C150	*7 1-163-037-11	s	CERAMIC, CHIP 0.022uF 10% 25V (2125)
	*2 1-135-161-21	s	TANTALUM, CHIP 22uF 10% 10V
C151	*7 1-135-072-21	s	TANTALUM, CHIP 0.22uF 10% 35V
	*2 1-135-161-21	s	TANTALUM, CHIP 22uF 10% 10V
C152-154	*7 1-135-085-21	s	TANTALUM, CHIP 4.7uF 10% 25V
	*2 1-163-038-00	s	CERAMIC, CHIP 0.1uF 25V (2125)
C155-157	1-163-037-11	s	CERAMIC, CHIP 0.022uF 10% 25V (2125)
C158-160	*7 1-135-216-11	s	TANTALUM, CHIP 10uF 20% 10V
	*2 1-135-179-21	s	TANTALUM, CHIP 2.2uF 10% 16V
C161	1-163-037-11	s	CERAMIC, CHIP 0.022uF 10% 25V (2125)
C162	1-163-037-11	s	CERAMIC, CHIP 0.022uF 10% 25V (2125)
C163	1-126-964-11	s	ELECT 10uF 20% 50V
C164	*4 1-126-964-11	s	ELECT 10uF 20% 50V
C164A	*1 1-126-964-11	s	ELECT 10uF 20% 50V
C165	1-126-964-11	s	ELECT 10uF 20% 50V
C166	1-163-037-11	s	CERAMIC, CHIP 0.022uF 10% 25V (2125)
C167	*4 1-127-516-11	s	ELECT 220uF 20% 10V
	*1 (*3)1-127-532-11	s	ALUMN SOLID 47uF 20% 20V
C168	1-163-243-11	s	CERAMIC, CHIP 47pF 5% 50V (2125)
C169	1-164-232-11	s	CERAMIC, CHIP 0.01uF 10% 100V (2125)
C170	1-163-251-11	s	CERAMIC, CHIP 100pF 5% 50V (2125)
C171	1-163-037-11	s	CERAMIC, CHIP 0.022uF 10% 25V (2125)
C172	1-163-243-11	s	CERAMIC, CHIP 47pF 5% 50V (2125)
C173	1-164-232-11	s	CERAMIC, CHIP 0.01uF 10% 100V (2125)
C174	1-163-038-00	s	CERAMIC, CHIP 0.1uF 25V (2125)
C175	1-163-243-11	s	CERAMIC, CHIP 47pF 5% 50V (2125)
C176	1-163-038-00	s	CERAMIC, CHIP 0.1uF 25V (2125)
C177	1-163-037-11	s	CERAMIC, CHIP 0.022uF 10% 25V (2125)
C178	1-163-037-11	s	CERAMIC, CHIP 0.022uF 10% 25V (2125)
C179	*4 1-127-516-11	s	ELECT 220uF 20% 10V
	*1 (*3)1-126-933-11	s	ELECT 100uF 20% 16V
C180	1-163-037-11	s	CERAMIC, CHIP 0.022uF 10% 25V (2125)
C181	1-163-037-11	s	CERAMIC, CHIP 0.022uF 10% 25V (2125)
C182	1-163-038-00	s	CERAMIC, CHIP 0.1uF 25V (2125)
C183	1-163-251-11	s	CERAMIC, CHIP 100pF 5% 50V (2125)
C184	1-163-037-11	s	CERAMIC, CHIP 0.022uF 10% 25V (2125)
C185	*7 1-163-038-00	s	CERAMIC, CHIP 0.1uF 25V (2125)
	*2 1-163-037-11	s	CERAMIC, CHIP 0.022uF 10% 25V (2125)
C186	1-163-037-11	s	CERAMIC, CHIP 0.022uF 10% 25V (2125)
C187	*7 1-163-038-00	s	CERAMIC, CHIP 0.1uF 25V (2125)
	*2 1-163-037-11	s	CERAMIC, CHIP 0.022uF 10% 25V (2125)
C188	1-163-037-11	s	CERAMIC, CHIP 0.022uF 10% 25V (2125)
C189	*7 1-163-038-00	s	CERAMIC, CHIP 0.1uF 25V (2125)
	*2 1-163-037-11	s	CERAMIC, CHIP 0.022uF 10% 25V (2125)

\*4: Board No. suffix 12 or higher  
 \*7: Board No. suffix 13 or higher  
 (\*?): Some mounted circuit boards within specified “\*?”

(VPR-1 BOARD for DVW-A500P, suffix 11 through 17)

(VPR-1 BOARD for DVW-A500P, suffix 11 through 17)

Ref. No. or Q'ty	Part No.	SP	Description
C190	1-163-251-11	s	CERAMIC, CHIP 100pF 5% 50V (2125)
C191	1-163-251-11	s	CERAMIC, CHIP 100pF 5% 50V (2125)
C192	*7 1-163-133-00	s	CERAMIC, CHIP 470pF 5% 50V (2125)
	*2 1-163-037-11	s	CERAMIC, CHIP 0.022uF 10% 25V
C193	1-163-037-11	s	CERAMIC, CHIP 0.022uF 10% 25V
C194	1-163-037-11	s	CERAMIC, CHIP 0.022uF 10% 25V
C195	1-163-038-00	s	CERAMIC, CHIP 0.1uF 25V (2125)
C196	1-163-038-00	s	CERAMIC, CHIP 0.1uF 25V (2125)
C197-201	1-163-037-11	s	CERAMIC, CHIP 0.022uF 10% 25V
C202	*3 1-163-038-00	s	CERAMIC, CHIP 0.1uF 25V (2125)
C203	1-163-037-11	s	CERAMIC, CHIP 0.022uF 10% 25V
C204	1-163-037-11	s	CERAMIC, CHIP 0.022uF 10% 25V
C205	*7 1-163-235-11	s	CERAMIC, CHIP 22pF 5% 50V (2125)
	*2 1-163-249-11	s	CERAMIC, CHIP 82pF 5% 50V (2125)
C206	1-163-239-11	s	CERAMIC, CHIP 33pF 5% 50V (2125)
C207	1-163-037-11	s	CERAMIC, CHIP 0.022uF 10% 25V
C208	1-163-037-11	s	CERAMIC, CHIP 0.022uF 10% 25V
C209	*7 1-163-235-11	s	CERAMIC, CHIP 22pF 5% 50V (2125)
	*2 1-163-249-11	s	CERAMIC, CHIP 82pF 5% 50V (2125)
C210	1-163-239-11	s	CERAMIC, CHIP 33pF 5% 50V (2125)
C211	1-163-037-11	s	CERAMIC, CHIP 0.022uF 10% 25V
C212	1-163-037-11	s	CERAMIC, CHIP 0.022uF 10% 25V
C213	*7 1-163-133-00	s	CERAMIC, CHIP 470pF 5% 50V (2125)
C214	*7 1-163-037-11	s	CERAMIC, CHIP 0.022uF 10% 25V
C215	1-163-037-11	s	CERAMIC, CHIP 0.022uF 10% 25V
C216	1-163-037-11	s	CERAMIC, CHIP 0.022uF 10% 25V
C217	*7 1-163-037-11	s	CERAMIC, CHIP 0.022uF 10% 25V
C218	*7 1-163-037-11	s	CERAMIC, CHIP 0.022uF 10% 25V
C219	1-163-037-11	s	CERAMIC, CHIP 0.022uF 10% 25V
C220	1-163-037-11	s	CERAMIC, CHIP 0.022uF 10% 25V
C221	*7 1-163-037-11	s	CERAMIC, CHIP 0.022uF 10% 25V
C222	*7 1-163-037-11	s	CERAMIC, CHIP 0.022uF 10% 25V
C223	1-163-037-11	s	CERAMIC, CHIP 0.022uF 10% 25V
C224	1-163-037-11	s	CERAMIC, CHIP 0.022uF 10% 25V
C225	*7 1-163-037-11	s	CERAMIC, CHIP 0.022uF 10% 25V
C227	1-163-037-11	s	CERAMIC, CHIP 0.022uF 10% 25V
C228	1-163-037-11	s	CERAMIC, CHIP 0.022uF 10% 25V
C231	1-163-037-11	s	CERAMIC, CHIP 0.022uF 10% 25V
C235	1-163-037-11	s	CERAMIC, CHIP 0.022uF 10% 25V
C236	*2 1-163-037-11	s	CERAMIC, CHIP 0.022uF 10% 25V
C240-242			
	*c 1-135-070-00	s	TANTALUM, CHIP 0.1uF 10% 35V
	*b 1-131-341-00	s	TANTALUM 0.1uF 10% 35V
C243	*c 1-163-241-11	s	CERAMIC, CHIP 39pF 5% 50V (2125)
	(*e)1-163-241-11	s	CERAMIC, CHIP 39pF 5% 50V (2125)
C300-304	1-126-964-11	s	ELECT 10uF 20% 50V
C306-310	1-164-232-11	s	CERAMIC, CHIP 0.01uF 10% 100V
C312	1-126-933-11	s	ELECT 100uF 20% 16V
C314	1-163-037-11	s	CERAMIC, CHIP 0.022uF 10% 25V
C315	1-163-037-11	s	CERAMIC, CHIP 0.022uF 10% 25V
C316	*7 1-163-037-11	s	CERAMIC, CHIP 0.022uF 10% 25V
C317	*7 1-163-037-11	s	CERAMIC, CHIP 0.022uF 10% 25V
C320	1-163-251-11	s	CERAMIC, CHIP 100pF 5% 50V (2125)
C321	1-135-091-00	s	TANTALUM, CHIP 1.0uF 20% 16V
C322	1-163-037-11	s	CERAMIC, CHIP 0.022uF 10% 25V

Ref. No. or Q'ty	Part No.	SP	Description
C326	1-126-933-11	s	ELECT 100uF 20% 16V
C327	1-163-037-11	s	CERAMIC, CHIP 0.022uF 10% 25V (2125)
C329	1-163-037-11	s	CERAMIC, CHIP 0.022uF 10% 25V (2125)
C330	1-126-933-11	s	ELECT 100uF 20% 16V
C331-334	1-163-037-11	s	CERAMIC, CHIP 0.022uF 10% 25V (2125)
C335	*1 1-126-964-11	s	ELECT 10uF 20% 50V
C336	1-126-964-11	s	ELECT 10uF 20% 50V
C337	1-126-964-11	s	ELECT 10uF 20% 50V
C338	*1 1-164-232-11	s	CERAMIC, CHIP 0.01uF 10% 100V (2125)
C339	1-164-232-11	s	CERAMIC, CHIP 0.01uF 10% 100V (2125)
C340	1-164-232-11	s	CERAMIC, CHIP 0.01uF 10% 100V (2125)
C500-503	1-126-964-11	s	ELECT 10uF 20% 50V
C504-507	1-164-232-11	s	CERAMIC, CHIP 0.01uF 10% 100V (2125)
C508	*7 1-163-037-11	s	CERAMIC, CHIP 0.022uF 10% 25V (2125)
C509-511	1-163-037-11	s	CERAMIC, CHIP 0.022uF 10% 25V (2125)
C512	*7 1-126-933-11	s	ELECT 100uF 20% 16V
C513-515	1-163-037-11	s	CERAMIC, CHIP 0.022uF 10% 25V (2125)
C516	*7 1-163-037-11	s	CERAMIC, CHIP 0.022uF 10% 25V (2125)
C517-521	1-163-037-11	s	CERAMIC, CHIP 0.022uF 10% 25V (2125)
C523-527	1-163-037-11	s	CERAMIC, CHIP 0.022uF 10% 25V (2125)
C528	1-126-933-11	s	ELECT 100uF 20% 16V
C529	1-163-809-11	s	CERAMIC, CHIP 0.047uF 10% 25V (2125)
	(*1)1-163-139-00	s	CERAMIC, CHIP 820pF 5% 50V (2125)
C530-532	1-163-037-11	s	CERAMIC, CHIP 0.022uF 10% 25V (2125)
C533	1-135-167-21	s	TANTALUM, CHIP 68uF 10% 6.3V
C534	1-135-167-21	s	TANTALUM, CHIP 68uF 10% 6.3V
C535	1-163-037-11	s	CERAMIC, CHIP 0.022uF 10% 25V (2125)
C536	1-126-933-11	s	ELECT 100uF 20% 16V
C537	1-163-037-11	s	CERAMIC, CHIP 0.022uF 10% 25V (2125)
C538	1-126-933-11	s	ELECT 100uF 20% 16V
C539	1-126-933-11	s	ELECT 100uF 20% 16V
C540	1-163-037-11	s	CERAMIC, CHIP 0.022uF 10% 25V (2125)
C541-543	1-126-964-11	s	ELECT 10uF 20% 50V
C544	*7 1-163-037-11	s	CERAMIC, CHIP 0.022uF 10% 25V (2125)
C545-547	1-164-232-11	s	CERAMIC, CHIP 0.01uF 10% 100V (2125)
C548	1-126-925-11	s	ELECT 470uF 20% 10V
C549	1-163-037-11	s	CERAMIC, CHIP 0.022uF 10% 25V (2125)
C550	*7 1-164-695-11	s	CERAMIC, CHIP 2200pF 5% 50V (2125)
	*2 1-163-275-11	s	CERAMIC, CHIP 1000pF 5% 50V (2125)
C551	*7 1-164-685-11	s	CERAMIC, CHIP 1300pF 5% 50V (2125)
	*3 1-163-133-00	s	CERAMIC, CHIP 470pF 5% 50V (2125)
	*1 1-163-137-00	s	CERAMIC, CHIP 680pF 5% 50V (2125)
C552	*7 1-163-089-00	s	CERAMIC, CHIP 6pF 50V (2125)
	*3 1-163-222-11	s	CERAMIC, CHIP 5pF 50V (2125)
	*1 1-163-224-11	s	CERAMIC, CHIP 7pF 50V (2125)
	(*1)1-163-086-00	s	CERAMIC, CHIP 3pF 50V (2125)
C553	*7 1-126-933-11	s	ELECT 100uF 20% 16V
	*2 1-163-037-11	s	CERAMIC, CHIP 0.022uF 10% 25V (2125)
C554	*7 1-163-037-11	s	CERAMIC, CHIP 0.022uF 10% 25V (2125)
	*4 1-163-235-11	s	CERAMIC, CHIP 22pF 5% 50V (2125)
	*1 1-163-239-11	s	CERAMIC, CHIP 33pF 5% 50V (2125)
C555	1-164-695-11	s	CERAMIC, CHIP 2200pF 5% 50V (2125)
C556	*4 1-126-923-11	s	ELECT 220uF 20% 10V
	*1 1-135-318-11	s	TANTALUM, CHIP 33uF 20% 4V

-----  
 \*1: Board No. suffix 11 only  
 \*2: Board No. suffix 11 or 12  
 \*3: Board No. suffix 12 only  
 \*4: Board No. suffix 12 or higher  
 \*7: Board No. suffix 13 or higher

-----  
 \*b: Board No. suffix 14 only  
 \*c: Board No. suffix 14 or higher  
 \*e: LOT No. 409 or 410  
 (\*?): Some mounted circuit boards within specified “\*?”

(VPR-1 BOARD for DVW-A500P, suffix 11 through 17)

(VPR-1 BOARD for DVW-A500P, suffix 11 through 17)

Ref. No. or Q'ty	Part No.	SP	Description
C556A	*1 1-126-923-11	s	ELECT 220uF 20% 10V
C557	*4 1-126-923-11	s	ELECT 220uF 20% 10V
	*1 1-135-318-11	s	TANTALUM, CHIP 33uF 20% 4V
C557A	*1 1-126-923-11	s	ELECT 220uF 20% 10V
C558	*2 1-163-037-11	s	CERAMIC, CHIP 0.022uF 10% 25V
C559	*2 1-163-241-11	s	CERAMIC, CHIP 39pF 5% 50V (2125)
C560	1-164-695-11	s	CERAMIC, CHIP 2200pF 5% 50V
C561	*4 1-126-923-11	s	ELECT 220uF 20% 10V
	*1 1-135-318-11	s	TANTALUM, CHIP 33uF 20% 4V
C561A	*1 1-126-923-11	s	ELECT 220uF 20% 10V
C562	*4 1-126-923-11	s	ELECT 220uF 20% 10V
	*1 1-135-318-11	s	TANTALUM, CHIP 33uF 20% 4V
C562A	*1 1-126-923-11	s	ELECT 220uF 20% 10V
C563	*2 1-163-037-11	s	CERAMIC, CHIP 0.022uF 10% 25V
C564	*2 1-163-241-11	s	CERAMIC, CHIP 39pF 5% 50V (2125)
C565	*7 1-164-695-11	s	CERAMIC, CHIP 2200pF 5% 50V
	*2 1-163-275-11	s	CERAMIC, CHIP 1000pF 5% 50V
C566	*7 1-164-685-11	s	CERAMIC, CHIP 1300pF 5% 50V
	*3 1-163-133-00	s	CERAMIC, CHIP 470pF 5% 50V
	*1 1-163-137-00	s	CERAMIC, CHIP 680pF 5% 50V (2125)
C567	*7 1-163-089-00	s	CERAMIC, CHIP 6pF 50V (2125)
	*3 1-163-222-11	s	CERAMIC, CHIP 5pF 50V (2125)
	*1 1-163-224-11	s	CERAMIC, CHIP 7pF 50V (2125)
C568	*2 1-163-037-11	s	CERAMIC, CHIP 0.022uF 10% 25V
C569	*4 1-163-097-00	s	CERAMIC, CHIP 15pF 5% 50V (2125)
	*1 1-163-237-11	s	CERAMIC, CHIP 27pF 5% 50V (2125)
	(*1)1-163-092-00	s	CERAMIC, CHIP 9pF 50V (2125)
C570	*7 1-164-695-11	s	CERAMIC, CHIP 2200pF 5% 50V
	*2 1-163-275-11	s	CERAMIC, CHIP 1000pF 5% 50V
C571	*7 1-164-685-11	s	CERAMIC, CHIP 1300pF 5% 50V
	*3 1-163-133-00	s	CERAMIC, CHIP 470pF 5% 50V
	*1 1-163-137-00	s	CERAMIC, CHIP 680pF 5% 50V (2125)
C572	*7 1-163-089-00	s	CERAMIC, CHIP 6pF 50V (2125)
	*3 1-163-222-11	s	CERAMIC, CHIP 5pF 50V (2125)
	*1 1-163-224-11	s	CERAMIC, CHIP 7pF 50V (2125)
C573	*2 1-163-037-11	s	CERAMIC, CHIP 0.022uF 10% 25V
C574	*1 1-163-235-11	s	CERAMIC, CHIP 22pF 5% 50V (2125)
C575	*4 1-126-923-11	s	ELECT 220uF 20% 10V
	*1 1-135-318-11	s	TANTALUM, CHIP 33uF 20% 4V
C575A	*1 1-126-923-11	s	ELECT 220uF 20% 10V
C576	*9 1-135-210-11	s	TANTALUM, CHIP 4.7uF 20% 10V
C577	*4 1-163-037-11	s	CERAMIC, CHIP 0.022uF 10% 25V
C598	*7 1-163-220-11	s	CERAMIC, CHIP 3pF 50V (2125)
C599	*7 1-163-220-11	s	CERAMIC, CHIP 3pF 50V (2125)
C600	1-163-037-11	s	CERAMIC, CHIP 0.022uF 10% 25V
C601	*7 1-126-933-11	s	ELECT 100uF 20% 16V
	*2 1-163-037-11	s	CERAMIC, CHIP 0.022uF 10% 25V
C602	1-163-037-11	s	CERAMIC, CHIP 0.022uF 10% 25V
C603	*7 1-127-516-11	s	ELECT 220uF 20% 10V
	*2 1-127-518-11	s	ALUMN SOLID 100uF 20% 16V
C604	1-163-037-11	s	CERAMIC, CHIP 0.022uF 10% 25V
C605	1-163-038-00	s	CERAMIC, CHIP 0.1uF 25V (2125)
C606-608	1-163-037-11	s	CERAMIC, CHIP 0.022uF 10% 25V

Ref. No. or Q'ty	Part No.	SP	Description
C609	1-163-038-00	s	CERAMIC, CHIP 0.1uF 25V (2125)
C610	1-163-037-11	s	CERAMIC, CHIP 0.022uF 10% 25V (2125)
C611	1-163-038-00	s	CERAMIC, CHIP 0.1uF 25V (2125)
C612	*7 1-163-037-11	s	CERAMIC, CHIP 0.022uF 10% 25V (2125)
	*2 1-127-517-11	s	ALMUN SOLID 150uF 20% 16V
C613	*7 1-163-037-11	s	CERAMIC, CHIP 0.022uF 10% 25V (2125)
C614	*7 1-127-516-11	s	ELECT 220uF 20% 10V
	*2 1-127-517-11	s	ALMUN SOLID 150uF 20% 16V
C615	1-163-037-11	s	CERAMIC, CHIP 0.022uF 10% 25V (2125)
C616	1-163-038-00	s	CERAMIC, CHIP 0.1uF 25V (2125)
C617	1-163-037-11	s	CERAMIC, CHIP 0.022uF 10% 25V (2125)
C618	*7 1-135-157-21	s	TANTALUM, CHIP 10uF 10% 6.3V
C619	1-163-037-11	s	CERAMIC, CHIP 0.022uF 10% 25V (2125)
C620	*7 1-163-087-00	s	CERAMIC, CHIP 4pF 50V (2125)
C621	1-163-037-11	s	CERAMIC, CHIP 0.022uF 10% 25V (2125)
C622	*7 1-163-037-11	s	CERAMIC, CHIP 0.022uF 10% 25V (2125)
C623	*2 1-126-933-11	s	ELECT 100uF 20% 16V
C624	*4 1-163-243-11	s	CERAMIC, CHIP 47pF 5% 50V (2125)
	*1 1-163-251-11	s	CERAMIC, CHIP 100pF 5% 50V (2125)
C625	*4 1-163-251-11	s	CERAMIC, CHIP 100pF 5% 50V (2125)
C626	*7 1-135-157-21	s	TANTALUM, CHIP 10uF 10% 6.3V
C628-634	1-163-037-11	s	CERAMIC, CHIP 0.022uF 10% 25V (2125)
C635	*7 1-127-516-11	s	ELECT 220uF 20% 10V
	*2 1-126-933-11	s	ELECT 100uF 20% 16V
C636	*7 1-163-037-11	s	CERAMIC, CHIP 0.022uF 10% 25V (2125)
C637-640	1-163-037-11	s	CERAMIC, CHIP 0.022uF 10% 25V (2125)
C641-646	*7 1-135-210-11	s	TANTALUM, CHIP 4.7uF 20% 10V
	*2 1-135-091-00	s	TANTALUM, CHIP 1.0uF 20% 16V
C647-649	*3 1-135-091-00	s	TANTALUM, CHIP 1.0uF 20% 16V
	*2 1-104-559-11	s	FILM, CHIP 0.047uF 5% 16V (3216)
C650-656	1-163-037-11	s	CERAMIC, CHIP 0.022uF 10% 25V (2125)
C657	*7 1-126-933-11	s	ELECT 100uF 20% 16V
	*2 1-163-037-11	s	CERAMIC, CHIP 0.022uF 10% 25V (2125)
C658	*7 1-127-516-11	s	ELECT 220uF 20% 10V
	*2 1-127-518-11	s	ALUMN SOLID 100uF 20% 16V
C659	1-163-037-11	s	CERAMIC, CHIP 0.022uF 10% 25V (2125)
C660	*7 1-135-157-21	s	TANTALUM, CHIP 10uF 10% 6.3V
C661-664	1-163-037-11	s	CERAMIC, CHIP 0.022uF 10% 25V (2125)
C665-667	1-163-038-00	s	CERAMIC, CHIP 0.1uF 25V (2125)
C668	*7 1-163-037-11	s	CERAMIC, CHIP 0.022uF 10% 25V (2125)
	*2 1-127-517-11	s	ALMUN SOLID 150uF 20% 16V
C670	1-163-037-11	s	CERAMIC, CHIP 0.022uF 10% 25V (2125)
C671	1-163-038-00	s	CERAMIC, CHIP 0.1uF 25V (2125)
C672	*7 1-163-037-11	s	CERAMIC, CHIP 0.022uF 10% 25V (2125)
C673	1-163-037-11	s	CERAMIC, CHIP 0.022uF 10% 25V (2125)
C674	*7 1-135-157-21	s	TANTALUM, CHIP 10uF 10% 6.3V
C675	1-163-037-11	s	CERAMIC, CHIP 0.022uF 10% 25V (2125)
C676	*7 1-163-220-11	s	CERAMIC, CHIP 3pF 50V (2125)
C677	1-163-037-11	s	CERAMIC, CHIP 0.022uF 10% 25V (2125)
C678	*7 1-163-037-11	s	CERAMIC, CHIP 0.022uF 10% 25V (2125)
C679	*7 1-135-157-21	s	TANTALUM, CHIP 10uF 10% 6.3V
C680	*7 1-127-516-11	s	ELECT 220uF 20% 10V
	*2 1-127-517-11	s	ALMUN SOLID 150uF 20% 16V

-----  
 \*1: Board No. suffix 11 only  
 \*2: Board No. suffix 11 or 12  
 \*3: Board No. suffix 12 only  
 \*4: Board No. suffix 12 or higher

-----  
 \*7: Board No. suffix 13 or higher  
 \*9: Board No. suffix 12, 13, or 14  
 (\*?): Some mounted circuit boards within specified “\*?”

(VPR-1 BOARD for DVW-A500P, suffix 11 through 17)

(VPR-1 BOARD for DVW-A500P, suffix 11 through 17)

Ref. No. or Q'ty	Part No.	SP Description
C681	*7 1-127-516-11	s ELECT 220uF 20% 10V
	*2 1-126-933-11	s ELECT 100uF 20% 16V
C682	*7 1-163-220-11	s CERAMIC, CHIP 3pF 50V (2125)
C683	*7 1-163-037-11	s CERAMIC, CHIP 0.022uF 10% 25V
C684-688	1-163-037-11	s CERAMIC, CHIP 0.022uF 10% 25V
C689	*7 1-163-037-11	s CERAMIC, CHIP 0.022uF 10% 25V
C690	*2 1-126-933-11	s ELECT 100uF 20% 16V
C691	1-163-037-11	s CERAMIC, CHIP 0.022uF 10% 25V
C692	1-163-251-11	s CERAMIC, CHIP 100pF 5% 50V (2125)
C693	1-163-127-00	s CERAMIC, CHIP 270pF 5% 50V
C694	1-163-251-11	s CERAMIC, CHIP 100pF 5% 50V (2125)
C695	*7 1-163-037-11	s CERAMIC, CHIP 0.022uF 10% 25V
C696	*7 1-163-037-11	s CERAMIC, CHIP 0.022uF 10% 25V
C697-700		
	*7 1-135-210-11	s TANTALUM, CHIP 4.7uF 20% 10V
	*2 1-135-091-00	s TANTALUM, CHIP 1.0uF 20% 16V
C701	*7 1-135-091-00	s TANTALUM, CHIP 1.0uF 20% 16V
	*2 1-104-559-11	s FILM, CHIP 0.047uF 5% 16V (3216)
C702	*7 1-135-091-00	s TANTALUM, CHIP 1.0uF 20% 16V
	*2 1-104-559-11	s FILM, CHIP 0.047uF 5% 16V (3216)
C703	1-163-037-11	s CERAMIC, CHIP 0.022uF 10% 25V
C704	1-163-037-11	s CERAMIC, CHIP 0.022uF 10% 25V
C705	1-163-222-11	s CERAMIC, CHIP 5pF 50V (2125)
C706	1-163-243-11	s CERAMIC, CHIP 47pF 5% 50V (2125)
C707-710	1-163-037-11	s CERAMIC, CHIP 0.022uF 10% 25V
C711	1-163-227-11	s CERAMIC, CHIP 10pF 5% 50V (2125)
C712	1-163-037-11	s CERAMIC, CHIP 0.022uF 10% 25V
C713	*4 1-135-161-21	s TANTALUM, CHIP 22uF 10% 10V
C714-719		
	*7 1-163-037-11	s CERAMIC, CHIP 0.022uF 10% 25V
C745-749		
	*4 1-163-038-00	s CERAMIC, CHIP 0.1uF 25V (2125)
C750	1-126-947-11	s ELECT 47uF 20% 35V
C751-757	1-126-933-11	s ELECT 100uF 20% 16V
C758-760	1-163-037-11	s CERAMIC, CHIP 0.022uF 10% 25V
C761	1-126-933-11	s ELECT 100uF 20% 16V
C762	1-126-933-11	s ELECT 100uF 20% 16V
C763	*1 1-126-933-11	s ELECT 100uF 20% 16V
C764	1-163-037-11	s CERAMIC, CHIP 0.022uF 10% 25V
C765	1-163-037-11	s CERAMIC, CHIP 0.022uF 10% 25V
C766	*1 1-163-037-11	s CERAMIC, CHIP 0.022uF 10% 25V
C767	1-126-947-11	s ELECT 47uF 20% 35V
C768	1-126-933-11	s ELECT 100uF 20% 16V
C769	1-163-037-11	s CERAMIC, CHIP 0.022uF 10% 25V
C770	1-163-037-11	s CERAMIC, CHIP 0.022uF 10% 25V
C771	1-126-933-11	s ELECT 100uF 20% 16V
C772-775	1-163-037-11	s CERAMIC, CHIP 0.022uF 10% 25V
C776	1-126-933-11	s ELECT 100uF 20% 16V
C777	1-163-037-11	s CERAMIC, CHIP 0.022uF 10% 25V
C778	1-126-933-11	s ELECT 100uF 20% 16V
C779-783	1-163-037-11	s CERAMIC, CHIP 0.022uF 10% 25V
C784	1-126-964-11	s ELECT 10uF 20% 50V
C785	1-163-038-00	s CERAMIC, CHIP 0.1uF 25V (2125)
C786-792	1-163-037-11	s CERAMIC, CHIP 0.022uF 10% 25V

Ref. No. or Q'ty	Part No.	SP Description
C793	1-163-275-11	s CERAMIC, CHIP 1000pF 5% 50V (2125)
C794	1-163-275-11	s CERAMIC, CHIP 1000pF 5% 50V (2125)
C796	1-163-037-11	s CERAMIC, CHIP 0.022uF 10% 25V (2125)
C797	*d 1-163-037-11	s CERAMIC, CHIP 0.022uF 10% 25V (2125)
C802	1-163-037-11	s CERAMIC, CHIP 0.022uF 10% 25V (2125)
C803	1-163-037-11	s CERAMIC, CHIP 0.022uF 10% 25V (2125)
C805	1-163-037-11	s CERAMIC, CHIP 0.022uF 10% 25V (2125)
C807	1-163-037-11	s CERAMIC, CHIP 0.022uF 10% 25V (2125)
C809	1-163-037-11	s CERAMIC, CHIP 0.022uF 10% 25V (2125)
C812	1-163-037-11	s CERAMIC, CHIP 0.022uF 10% 25V (2125)
C814	1-163-037-11	s CERAMIC, CHIP 0.022uF 10% 25V (2125)
C816	1-163-037-11	s CERAMIC, CHIP 0.022uF 10% 25V (2125)
C818	1-163-037-11	s CERAMIC, CHIP 0.022uF 10% 25V (2125)
C821-824	1-163-037-11	s CERAMIC, CHIP 0.022uF 10% 25V (2125)
C1000	1-126-933-11	s ELECT 100uF 20% 16V
C1001	1-163-239-11	s CERAMIC, CHIP 33pF 5% 50V (2125)
C1002	1-126-933-11	s ELECT 100uF 20% 16V
C1003	1-163-037-11	s CERAMIC, CHIP 0.022uF 10% 25V (2125)
C1004	1-163-125-00	s CERAMIC, CHIP 220pF 5% 50V (2125)
C1005	1-164-232-11	s CERAMIC, CHIP 0.01uF 10% 100V (2125)
C1006	1-163-037-11	s CERAMIC, CHIP 0.022uF 10% 25V (2125)
C1007	1-163-133-00	s CERAMIC, CHIP 470pF 5% 50V (2125)
C1008	1-126-933-11	s ELECT 100uF 20% 16V
C1009	1-126-933-11	s ELECT 100uF 20% 16V
C1010	1-126-933-11	s ELECT 100uF 20% 16V
C1011	1-163-037-11	s CERAMIC, CHIP 0.022uF 10% 25V (2125)
C1012	1-163-037-11	s CERAMIC, CHIP 0.022uF 10% 25V (2125)
C1013	1-163-037-11	s CERAMIC, CHIP 0.022uF 10% 25V (2125)
C1014	1-164-232-11	s CERAMIC, CHIP 0.01uF 10% 100V (2125)
C1015	1-104-559-11	s FILM, CHIP 0.047uF 5% 16V (3216)
C1017	*3 1-163-038-00	s CERAMIC, CHIP 0.1uF 25V (2125)
C1018	1-163-251-11	s CERAMIC, CHIP 100pF 5% 50V (2125)
C1020	1-163-037-11	s CERAMIC, CHIP 0.022uF 10% 25V (2125)
C1021	*7 1-163-038-00	s CERAMIC, CHIP 0.1uF 25V (2125)
C1022	1-163-038-00	s CERAMIC, CHIP 0.1uF 25V (2125)
C1024	1-163-037-11	s CERAMIC, CHIP 0.022uF 10% 25V (2125)
C1025	1-163-133-00	s CERAMIC, CHIP 470pF 5% 50V (2125)
C1026	1-163-037-11	s CERAMIC, CHIP 0.022uF 10% 25V (2125)
C1027	1-163-239-11	s CERAMIC, CHIP 33pF 5% 50V (2125)
C1028	1-163-125-00	s CERAMIC, CHIP 220pF 5% 50V (2125)
C1029	1-104-547-11	s FILM, CHIP 0.0047uF 5% 16V (2125)
C1030	1-163-037-11	s CERAMIC, CHIP 0.022uF 10% 25V (2125)
C1031	*7 1-163-037-11	s CERAMIC, CHIP 0.022uF 10% 25V (2125)
C1032	1-163-037-11	s CERAMIC, CHIP 0.022uF 10% 25V (2125)
C1033	1-163-125-00	s CERAMIC, CHIP 220pF 5% 50V (2125)
C1034	1-163-235-11	s CERAMIC, CHIP 22pF 5% 50V (2125)
C1035	1-163-235-11	s CERAMIC, CHIP 22pF 5% 50V (2125)
C1036	1-163-235-11	s CERAMIC, CHIP 22pF 5% 50V (2125)
C1037	1-104-547-11	s FILM, CHIP 0.0047uF 5% 16V (2125)
C1038	*4 1-164-232-11	s CERAMIC, CHIP 0.01uF 10% 100V (2125)
C1039	1-164-232-11	s CERAMIC, CHIP 0.01uF 10% 100V (2125)
C1040	*4 1-163-235-11	s CERAMIC, CHIP 22pF 5% 50V (2125)
C1041	1-163-037-11	s CERAMIC, CHIP 0.022uF 10% 25V (2125)
C1042	1-163-037-11	s CERAMIC, CHIP 0.022uF 10% 25V (2125)
C1043	1-163-085-00	s CERAMIC, CHIP 2pF 50V (2125)
C1044	1-163-089-00	s CERAMIC, CHIP 6pF 50V (2125)

-----  
 \*1: Board No. suffix 11 only  
 \*2: Board No. suffix 11 or 12  
 \*3: Board No. suffix 12 only

-----  
 \*4: Board No. suffix 12 or higher  
 \*7: Board No. suffix 13 or higher  
 \*d: Board No. suffix 15 or higher

(VPR-1 BOARD for DVW-A500P, suffix 11 through 17)

(VPR-1 BOARD for DVW-A500P, suffix 11 through 17)

Ref. No. or Q'ty	Part No.	SP	Description
C1045	*7 1-163-037-11	s	CERAMIC, CHIP 0.022uF 10% 25V
C1046	1-163-038-00	s	CERAMIC, CHIP 0.1uF 25V (2125)
C1048	1-163-239-11	s	CERAMIC, CHIP 33pF 5% 50V (2125)
C1049	1-135-085-21	s	TANTALUM, CHIP 4.7uF 10% 25V
C1050	1-135-085-21	s	TANTALUM, CHIP 4.7uF 10% 25V
C1051	*7 1-163-037-11	s	CERAMIC, CHIP 0.022uF 10% 25V
C1052	1-163-037-11	s	CERAMIC, CHIP 0.022uF 10% 25V
C1053	1-126-933-11	s	ELECT 100uF 20% 16V
C1055	1-163-037-11	s	CERAMIC, CHIP 0.022uF 10% 25V
C1056	1-135-179-21	s	TANTALUM, CHIP 2.2uF 10% 16V
C1057	1-126-933-11	s	ELECT 100uF 20% 16V
C1059	1-163-037-11	s	CERAMIC, CHIP 0.022uF 10% 25V
C1060	1-163-037-11	s	CERAMIC, CHIP 0.022uF 10% 25V
C1061	1-163-037-11	s	CERAMIC, CHIP 0.022uF 10% 25V
C1063	1-126-933-11	s	ELECT 100uF 20% 16V
C1064	1-126-933-11	s	ELECT 100uF 20% 16V
C1065	1-163-037-11	s	CERAMIC, CHIP 0.022uF 10% 25V
C1066	1-163-037-11	s	CERAMIC, CHIP 0.022uF 10% 25V
C1067	1-163-037-11	s	CERAMIC, CHIP 0.022uF 10% 25V
C1068	1-126-933-11	s	ELECT 100uF 20% 16V
C1069	1-163-037-11	s	CERAMIC, CHIP 0.022uF 10% 25V
C1070	1-126-933-11	s	ELECT 100uF 20% 16V
C1071	1-163-038-00	s	CERAMIC, CHIP 0.1uF 25V (2125)
C1073-1076	1-163-037-11	s	CERAMIC, CHIP 0.022uF 10% 25V
C1078	1-163-037-11	s	CERAMIC, CHIP 0.022uF 10% 25V
C1080	1-163-037-11	s	CERAMIC, CHIP 0.022uF 10% 25V
C1081	1-163-037-11	s	CERAMIC, CHIP 0.022uF 10% 25V
C1082	1-163-235-11	s	CERAMIC, CHIP 22pF 5% 50V (2125)
C1084	1-163-037-11	s	CERAMIC, CHIP 0.022uF 10% 25V
C1086	1-163-037-11	s	CERAMIC, CHIP 0.022uF 10% 25V
C1087	1-163-037-11	s	CERAMIC, CHIP 0.022uF 10% 25V
C1088	1-163-235-11	s	CERAMIC, CHIP 22pF 5% 50V (2125)
C1089	1-163-037-11	s	CERAMIC, CHIP 0.022uF 10% 25V
C1090	1-163-251-11	s	CERAMIC, CHIP 100pF 5% 50V (2125)
C1091	1-163-038-00	s	CERAMIC, CHIP 0.1uF 25V (2125)
C1093	1-126-933-11	s	ELECT 100uF 20% 16V
C1094	1-163-038-00	s	CERAMIC, CHIP 0.1uF 25V (2125)
C1096	1-163-037-11	s	CERAMIC, CHIP 0.022uF 10% 25V
C1098	1-126-933-11	s	ELECT 100uF 20% 16V
C1099	1-163-037-11	s	CERAMIC, CHIP 0.022uF 10% 25V
C1100	1-163-121-00	s	CERAMIC, CHIP 150pF 5% 50V (2125)
C1101	1-163-037-11	s	CERAMIC, CHIP 0.022uF 10% 25V
C1102	1-163-038-00	s	CERAMIC, CHIP 0.1uF 25V (2125)
C1103	1-126-933-11	s	ELECT 100uF 20% 16V
C1104	1-163-037-11	s	CERAMIC, CHIP 0.022uF 10% 25V
C1105	1-163-037-11	s	CERAMIC, CHIP 0.022uF 10% 25V
C1106	1-163-037-11	s	CERAMIC, CHIP 0.022uF 10% 25V
C1107	1-126-933-11	s	ELECT 100uF 20% 16V
C1108	1-163-275-11	s	CERAMIC, CHIP 1000pF 5% 50V
C1109	1-163-037-11	s	CERAMIC, CHIP 0.022uF 10% 25V
C1110	1-163-037-11	s	CERAMIC, CHIP 0.022uF 10% 25V
C1111	1-126-964-11	s	ELECT 10uF 20% 50V
C1112	1-163-037-11	s	CERAMIC, CHIP 0.022uF 10% 25V
C1113	1-163-113-00	s	CERAMIC, CHIP 68pF 5% 50V (2125)
C1114	1-163-125-00	s	CERAMIC, CHIP 220pF 5% 50V (2125)

Ref. No. or Q'ty	Part No.	SP	Description
C1115	1-163-037-11	s	CERAMIC, CHIP 0.022uF 10% 25V (2125)
C1116	1-163-113-00	s	CERAMIC, CHIP 68pF 5% 50V (2125)
C1117	1-163-037-11	s	CERAMIC, CHIP 0.022uF 10% 25V (2125)
C1118	1-163-037-11	s	CERAMIC, CHIP 0.022uF 10% 25V (2125)
C1119	1-163-037-11	s	CERAMIC, CHIP 0.022uF 10% 25V (2125)
C1120	*4 1-163-037-11	s	CERAMIC, CHIP 0.022uF 10% 25V (2125)
C1121	*4 1-163-037-11	s	CERAMIC, CHIP 0.022uF 10% 25V (2125)
C1122	1-163-037-11	s	CERAMIC, CHIP 0.022uF 10% 25V (2125)
C1124	1-163-038-00	s	CERAMIC, CHIP 0.1uF 25V (2125)
C1125	1-163-037-11	s	CERAMIC, CHIP 0.022uF 10% 25V (2125)
C1126	1-126-933-11	s	ELECT 100uF 20% 16V
C1127	1-126-933-11	s	ELECT 100uF 20% 16V
C1128	1-163-037-11	s	CERAMIC, CHIP 0.022uF 10% 25V (2125)
C1129	1-163-038-00	s	CERAMIC, CHIP 0.1uF 25V (2125)
C1130	1-163-037-11	s	CERAMIC, CHIP 0.022uF 10% 25V (2125)
C1132	1-163-037-11	s	CERAMIC, CHIP 0.022uF 10% 25V (2125)
C1133	1-126-933-11	s	ELECT 100uF 20% 16V
C1134-1137	1-163-037-11	s	CERAMIC, CHIP 0.022uF 10% 25V (2125)
C1138	*1 1-163-037-11	s	CERAMIC, CHIP 0.022uF 10% 25V (2125)
C1139	1-163-037-11	s	CERAMIC, CHIP 0.022uF 10% 25V (2125)
C1140	1-163-113-00	s	CERAMIC, CHIP 68pF 5% 50V (2125)
C1141	1-163-037-11	s	CERAMIC, CHIP 0.022uF 10% 25V (2125)
C1143	1-163-125-00	s	CERAMIC, CHIP 220pF 5% 50V (2125)
C1144	1-163-037-11	s	CERAMIC, CHIP 0.022uF 10% 25V (2125)
C1145	1-163-037-11	s	CERAMIC, CHIP 0.022uF 10% 25V (2125)
C1146	1-163-113-00	s	CERAMIC, CHIP 68pF 5% 50V (2125)
C1147	1-163-037-11	s	CERAMIC, CHIP 0.022uF 10% 25V (2125)
C1148	1-163-037-11	s	CERAMIC, CHIP 0.022uF 10% 25V (2125)
C1149	1-163-037-11	s	CERAMIC, CHIP 0.022uF 10% 25V (2125)
C1150	1-164-222-11	s	CERAMIC, CHIP 0.22uF 25V (2125)
C1151	1-163-037-11	s	CERAMIC, CHIP 0.022uF 10% 25V (2125)
C1152	1-163-037-11	s	CERAMIC, CHIP 0.022uF 10% 25V (2125)
C1153	*4 1-135-179-21	s	TANTALUM, CHIP 2.2uF 10% 16V
	*1 1-131-349-00	s	TANTALUM 2.2uF 10% 35V
C1156	1-126-933-11	s	ELECT 100uF 20% 16V
C1157	1-126-933-11	s	ELECT 100uF 20% 16V
C1158-1163	1-163-037-11	s	CERAMIC, CHIP 0.022uF 10% 25V (2125)
C1164	1-126-964-11	s	ELECT 10uF 20% 50V
C1165	1-164-232-11	s	CERAMIC, CHIP 0.01uF 10% 100V (2125)
C1166-1169	1-126-964-11	s	ELECT 10uF 20% 50V
C1170-1173	1-164-232-11	s	CERAMIC, CHIP 0.01uF 10% 100V (2125)
C1174	1-163-137-00	s	CERAMIC, CHIP 680pF 5% 50V (2125)
C1175	1-163-251-11	s	CERAMIC, CHIP 100pF 5% 50V (2125)
C1176	1-163-251-11	s	CERAMIC, CHIP 100pF 5% 50V (2125)
C1177	1-163-037-11	s	CERAMIC, CHIP 0.022uF 10% 25V (2125)
C1178,1179	*7 1-135-227-11	s	TANTALUM, CHIP 100uF 10% 6.3V
	(*2)1-135-179-21	s	TANTALUM, CHIP 2.2uF 10% 16V
C1182	*9 1-163-038-00	s	CERAMIC, CHIP 0.1uF 25V (2125)
C1183	*4 1-163-037-11	s	CERAMIC, CHIP 0.022uF 10% 25V (2125)
C1184	*7 1-126-933-11	s	ELECT 100uF 20% 16V
C1185	*7 1-163-037-11	s	CERAMIC, CHIP 0.022uF 10% 25V (2125)

-----  
 \*1: Board No. suffix 11 only  
 \*2: Board No. suffix 11 or 12  
 \*3: Board No. suffix 12 only  
 \*4: Board No. suffix 12 or higher

-----  
 \*7: Board No. suffix 13 or higher  
 \*9: Board No. suffix 12, 13, or 14  
 \*a: Board No. suffix 13 or 14  
 \*c: Board No. suffix 14 or higher

(VPR-1 BOARD for DVW-A500P, suffix 11 through 17)

(VPR-1 BOARD for DVW-A500P, suffix 11 through 17)

Ref. No. or Q'ty	Part No.	SP Description
C1186	*7 1-135-161-21	s TANTALUM, CHIP 22uF 10% 10V
C1187	*7 1-135-227-11	s TANTALUM, CHIP 100uF 10% 6.3V
C1188	*7 1-135-227-11	s TANTALUM, CHIP 100uF 10% 6.3V
C1190	*c 1-163-037-11	s CERAMIC, CHIP 0.022uF 10% 25V
C1191	*c 1-163-037-11	s CERAMIC, CHIP 0.022uF 10% 25V
C1192	*1 1-163-037-11	s CERAMIC, CHIP 0.022uF 10% 25V
C1200	*d 1-163-137-00	s CERAMIC, CHIP 680pF 5% 50V
C1202	*d 1-163-037-11	s CERAMIC, CHIP 0.022uF 10% 25V
C1203	*d 1-163-137-00	s CERAMIC, CHIP 680pF 5% 50V (2125)
C1204	*d 1-163-137-00	s CERAMIC, CHIP 680pF 5% 50V (2125)
C1205	*d 1-163-037-11	s CERAMIC, CHIP 0.022uF 10% 25V
C1221	*d 1-128-551-11	s ELECT 22uF 20% 63V
C1222	*d 1-128-551-11	s ELECT 22uF 20% 63V
C1225	*d 1-163-037-11	s CERAMIC, CHIP 0.022uF 10% 25V
C1226	*d 1-163-037-11	s CERAMIC, CHIP 0.022uF 10% 25V
C1233	*d 1-163-037-11	s CERAMIC, CHIP 0.022uF 10% 25V
C1244	*d 1-163-037-11	s CERAMIC, CHIP 0.022uF 10% 25V
C8100	*2 1-164-315-11	s CERAMIC, CHIP 470pF 5% 50V (1608)
C8101	*2 1-164-315-11	s CERAMIC, CHIP 470pF 5% 50V (1608)
C8102(*h)	1-163-037-11	s CERAMIC, CHIP 0.022uF 10% 25V
C8103(*h)	1-163-037-11	s CERAMIC, CHIP 0.022uF 10% 25V
C8104(*h)	1-163-037-11	s CERAMIC, CHIP 0.022uF 10% 25V
C8600(*h)	1-163-037-11	s CERAMIC, CHIP 0.022uF 10% 25V
C8601(*h)	1-163-037-11	s CERAMIC, CHIP 0.022uF 10% 25V
CN113	1-573-600-21	s CONNECTOR, PHEC 100P, MALE
CN114	1-573-600-21	s CONNECTOR, PHEC 100P, MALE
CN115	1-573-600-21	s CONNECTOR, PHEC 100P, MALE
CP300	1-760-275-11	s VCO, CRYSTAL 27.0 MHz
CP500	1-760-263-11	s VCO, CRYSTAL 35.468950 MHz
CP1000*g	1-760-268-11	s VCO, CRYSTAL 17.734475 MHz
	*f 1-577-295-11	s VCO, CRYSTAL 17.734475 MHz
CP1001*1	1-767-589-11	s VCO, LITHIUM 24.576 MHz
	*m 1-577-223-11	s VCO, LITHIUM 24.576 MHz
	*2 1-577-596-11	s VCO, CRYSTAL 24.576 MHz
CP1002	1-760-275-11	s VCO, CRYSTAL 27.0 MHz
D104	*7 8-719-023-69	s DIODE SB007T03Q
D105	8-719-023-69	s DIODE SB007T03Q
D106-108	8-719-157-11	s DIODE RD3.3M-B
D310	*r 8-719-911-19	s DIODE 1SS119
D500	*9 8-719-941-23	s DIODE DA204U
D603	*7 8-719-023-69	s DIODE SB007T03Q
D604	*7 8-719-023-69	s DIODE SB007T03Q
D605-607	8-719-023-69	s DIODE SB007T03Q
D750	8-719-941-23	s DIODE DA204U
D751	*4 8-719-941-23	s DIODE DA204U
D752-757	8-719-023-69	s DIODE SB007T03Q
D1000	8-719-941-23	s DIODE DA204U
D1002	8-719-941-23	s DIODE DA204U
D1003	8-719-941-23	s DIODE DA204U
D1004	8-719-941-23	s DIODE DA204U
D1005	*4 8-719-941-23	s DIODE DA204U
	*1 8-719-911-19	s DIODE 1SS119
D1006	*7 8-719-023-69	s DIODE SB007T03Q
	(*3)8-719-941-23	s DIODE DA204U
	(*1)8-719-911-19	s DIODE 1SS119

Ref. No. or Q'ty	Part No.	SP Description
D1007	*7 8-719-941-23	s DIODE DA204U
D1009	*7 8-719-023-69	s DIODE SB007T03Q
D1010	*7 8-719-023-69	s DIODE SB007T03Q
D1011	*a 8-719-123-82	s DIODE 1SS303
D1012	*a 8-719-123-82	s DIODE 1SS303
D8000(*3)	8-719-911-19	s DIODE 1SS119
FB300	1-543-309-21	s BEAD, FERRITE
FB301-304		
	*4 1-543-622-11	s BEAD, FERRITE, CHIP
FB305	*4 1-543-309-21	s BEAD, FERRITE
FB306	*4 1-543-644-21	s BEAD, FERRITE, CHIP
FB307	*4 1-543-644-21	s BEAD, FERRITE, CHIP
FB308	*4 1-543-644-21	s BEAD, FERRITE, CHIP
FB500	*4 1-543-309-21	s BEAD, FERRITE
FB501	*4 1-543-309-21	s BEAD, FERRITE
FB502	*4 1-543-622-11	s BEAD, FERRITE, CHIP
FB503	*4 1-543-622-11	s BEAD, FERRITE, CHIP
FB504	*4 1-543-622-11	s BEAD, FERRITE, CHIP
FB505	*4 1-543-644-21	s BEAD, FERRITE, CHIP
FB506	*4 1-543-644-21	s BEAD, FERRITE, CHIP
FB1000	1-543-309-21	s BEAD, FERRITE
FB1001	1-543-309-21	s BEAD, FERRITE
FB1002	1-543-309-21	s BEAD, FERRITE
FB1003*4	1-543-309-21	s BEAD, FERRITE
FB1004*n	1-543-309-21	s BEAD, FERRITE
FB1005*4	1-543-309-21	s BEAD, FERRITE
FB1006-1010		
	*4 1-543-644-21	s BEAD, FERRITE, CHIP
FL100	1-239-721-11	s FILTER, LOW-PASS
FL101	1-239-722-11	s FILTER, LOW PASS
FL102	1-239-722-11	s FILTER, LOW PASS
FL300	*1 1-239-719-31	s FILTER, NOISE, CHIP
FL301	*1 1-239-719-31	s FILTER, NOISE, CHIP
FL302	*1 1-239-719-31	s FILTER, NOISE, CHIP
FL303-318		
	1-239-719-31	s FILTER, NOISE, CHIP
FL500-517		
	1-239-719-31	s FILTER, NOISE, CHIP
FL600-604		
	1-239-721-11	s FILTER, LOW-PASS
FL1000*2	1-239-719-31	s FILTER, NOISE, CHIP
FL1001-1033		
	1-239-719-31	s FILTER, NOISE, CHIP
IC100	8-759-169-45	s IC TA78L12F
IC101	8-759-045-17	s IC NJM79L05UA
IC102	8-759-234-08	s IC TA78L05F
IC103	8-759-045-17	s IC NJM79L05UA
IC104	8-759-987-27	s IC LM1881M
IC105	8-759-239-58	s IC TC74HC221AF
IC106	8-759-262-03	s IC MC14577CF
IC107	*7 8-759-014-29	s IC MC34184M
	*2 8-759-030-16	s IC MC34182M

-----  
\*d: Board No. suffix 15 or higher  
\*f: LOT No. 302 through 402  
\*g: LOT No. 403 or higher  
\*h: LOT No. 309 through 312

-----  
\*l: Board No. suffix 16 or higher  
\*m: Board No. suffix 13, 14, or 15  
\*n: Board No. suffix 12, 13, 14, or 15  
\*r: LOT No. 709 or higher  
(\*?): Some mounted circuit boards within specified "\*?"

(VPR-1 BOARD for DVW-A500P, suffix 11 through 17)

Ref. No. or Q'ty	Part No.	SP	Description
IC108	*7 8-759-014-29	s IC	MC34184M
	*2 8-759-030-16	s IC	MC34182M
IC109	8-759-702-08	s IC	NJM360M
IC110	8-759-234-08	s IC	TA78L05F
IC111	8-759-987-82	s IC	74AC00SJ
IC112	8-759-030-16	s IC	MC34182M
IC113	8-759-440-94	s IC	SN74LVT245ANS
IC114	8-759-175-58	s IC	MB40558PF
IC115	8-759-085-99	s IC	MB40568PF-G-BND
IC116	8-759-085-99	s IC	MB40568PF-G-BND
IC117	8-759-030-16	s IC	MC34182M
IC118	8-759-440-94	s IC	SN74LVT245ANS
IC119	8-759-440-94	s IC	SN74LVT245ANS
IC120	8-759-440-94	s IC	SN74LVT245ANS
IC121	8-759-174-09	s IC	CXD8381Q
IC122	8-759-174-09	s IC	CXD8381Q
IC123	8-759-702-08	s IC	NJM360M
IC124	8-759-030-61	s IC	TL431CM
IC125	8-759-030-61	s IC	TL431CM
IC126	*7 8-759-014-29	s IC	MC34184M
	*2 8-759-030-16	s IC	MC34182M
IC127	*7 8-759-234-77	s IC	TC4S66F
IC128	*7 8-759-234-77	s IC	TC4S66F
IC129	*7 8-759-234-77	s IC	TC4S66F
IC300	8-759-548-77	s IC	SN74LV245ANSR
IC301	8-759-548-77	s IC	SN74LV245ANSR
IC302	8-759-986-32	s IC	74ACT244SJ
IC303	8-759-548-77	s IC	SN74LV245ANSR
IC304	8-759-548-77	s IC	SN74LV245ANSR
IC305	*7 8-759-105-49	s IC	UPC319G2
IC306	*4 8-759-234-20	s IC	TC7S08F
	*1 8-759-058-61	s IC	TC7S08FU
IC307	8-759-175-79	s IC	CXD8818R
IC308	8-759-179-34	s IC	DMA100S
IC309	8-752-306-51	s IC	CX23065A
IC311	8-759-030-16	s IC	MC34182M
IC312	8-759-175-57	s IC	CXD8820AR
IC313	*1 8-759-548-77	s IC	SN74LV245ANSR
IC314	8-759-440-94	s IC	SN74LVT245ANS
IC315	8-759-440-94	s IC	SN74LVT245ANS
IC500-503	8-759-440-94	s IC	SN74LVT245ANS
IC504	8-759-247-03	s IC	CXD8810BQ
IC505	8-759-249-01	s IC	CXD8382BQ
IC506	8-752-306-51	s IC	CX23065A
IC507	8-759-030-16	s IC	MC34182M
IC508	8-759-440-94	s IC	SN74LVT245ANS
IC509	8-759-548-77	s IC	SN74LV245ANSR
IC510	8-759-548-77	s IC	SN74LV245ANSR
IC511	8-759-548-77	s IC	SN74LV245ANSR
IC512	8-759-517-31	s IC	S-8052ANY-NH
IC513	*a 8-759-082-55	s IC	TC7W00FU
IC514	*4 8-759-234-77	s IC	TC4S66F
IC600	*7 8-759-052-52	s IC	L78M05T-FA
	*2 8-759-234-08	s IC	TA78L05F

-----  
 \*1: Board No. suffix 11 only  
 \*2: Board No. suffix 11 or 12  
 \*4: Board No. suffix 12 or higher  
 \*5: Board No. suffix 11, 12, or 13  
 \*7: Board No. suffix 13 or higher

DVW-A500P/500P

(VPR-1 BOARD for DVW-A500P, suffix 11 through 17)

Ref. No. or Q'ty	Part No.	SP	Description
IC601	*c 8-759-030-16	s IC	MC34182M
	*5 8-759-014-29	s IC	MC34184M
IC602	8-759-014-29	s IC	MC34184M
IC603	8-752-357-63	s IC	CXD2308Q
IC604	*7 8-759-822-95	s IC	L79M05T-FA
	*2 8-759-045-17	s IC	NJM79L05UA
IC605	8-759-907-81	s IC	SN74LS221NS
IC606	8-759-030-16	s IC	MC34182M
IC607	8-759-030-16	s IC	MC34182M
IC608	*7 8-759-082-61	s IC	TC4W53FU
	*2 8-759-300-71	s IC	HD14053BFF
IC609	*7 8-759-052-52	s IC	L78M05T-FA
	*2 8-759-234-08	s IC	TA78L05F
IC610	8-752-357-63	s IC	CXD2308Q
IC611	*7 8-759-822-95	s IC	L79M05T-FA
	*2 8-759-045-17	s IC	NJM79L05UA
IC612	8-759-030-16	s IC	MC34182M
IC613	*7 8-759-082-61	s IC	TC4W53FU
	*2 8-759-300-71	s IC	HD14053BFF
IC614	8-752-052-77	s IC	CXA1450M
IC615	*4 8-759-082-58	s IC	TC7W08FU
	*1 8-759-242-76	s IC	TC7W08F
IC616	*2 8-759-169-45	s IC	TA78L12F
IC617	*2 8-759-030-61	s IC	TL431CM
IC618	*2 8-759-030-61	s IC	TL431CM
IC619	8-759-030-61	s IC	TL431CM
IC620	*2 8-759-030-61	s IC	TL431CM
IC621	8-759-030-61	s IC	TL431CM
IC622	*2 8-759-169-45	s IC	TA78L12F
IC623	8-759-030-16	s IC	MC34182M
IC624	8-759-030-16	s IC	MC34182M
IC625-634			
	*7 8-759-271-04	s IC	LT1252CS8
IC635	*7 8-759-082-61	s IC	TC4W53FU
IC636	*7 8-759-082-61	s IC	TC4W53FU
IC637	*7 8-759-082-61	s IC	TC4W53FU
IC750	8-759-673-45	s IC	MM74HC08SJK
IC751	8-759-052-52	s IC	L78M05T-FA
IC752	8-759-940-45	s IC	S-8054HN-CB-S
IC753	*d 8-759-431-01	s IC	UPD78014GC-763-AB8
IC754	*d 8-759-430-21	s IC	MSM6524GS-KR1
IC755	*d 8-759-430-21	s IC	MSM6524GS-KR1
IC756	8-759-082-57	s IC	TC7W04FU
IC757	8-759-269-09	s IC	SN74HCT04ANS
IC758	8-759-277-19	s IC	UPD485505G-35
IC759	8-759-277-19	s IC	UPD485505G-35
IC760	8-759-277-19	s IC	UPD485505G-35
IC761	8-759-440-94	s IC	SN74LVT245ANS
IC762	8-759-269-09	s IC	SN74HCT04ANS
IC763	*d 8-759-035-93	s IC	SC7S32F
IC1000	8-759-052-52	s IC	L78M05T-FA
IC1001	8-759-045-17	s IC	NJM79L05UA
IC1002	8-759-239-58	s IC	TC74HC221AF
IC1003*d	8-759-195-02	s IC	TC7S86F
	*8 8-759-195-81	s IC	TC7S86FU

-----  
 \*8: Board No. suffix 11 through 14  
 \*a: Board No. suffix 13 or 14  
 \*c: Board No. suffix 14 or higher  
 \*d: Board No. suffix 15 or higher

(VPR-1 BOARD for DVW-A500P, suffix 11 through 17)

Ref. No. or Q'ty	Part No.	SP Description
IC1004	8-759-234-08	s IC TA78L05F
IC1006	8-759-014-29	s IC MC34184M
IC1007	8-759-300-71	s IC HD14053BFP
IC1008	8-759-926-15	s IC SN74HC151ANS
IC1009	8-759-907-81	s IC SN74LS221NS
IC1010	8-759-987-27	s IC LM1881M
IC1011	8-759-262-03	s IC MC14577CF
IC1012	8-759-262-03	s IC MC14577CF
IC1013	8-759-702-08	s IC NJM360M
IC1014	8-759-045-17	s IC NJM79L05UA
IC1015	8-759-030-16	s IC MC34182M
IC1016	8-759-925-05	s IC LM2903PS
IC1017	8-759-702-08	s IC NJM360M
IC1018*7	8-759-234-77	s IC TC4S66F
IC1019	8-759-175-66	s IC CXD8817Q
IC1020	8-759-014-29	s IC MC34184M
IC1021	8-759-907-81	s IC SN74LS221NS
IC1022	8-759-907-81	s IC SN74LS221NS
IC1023	8-759-082-57	s IC TC7W04FU
IC1024	8-759-907-81	s IC SN74LS221NS
IC1025	8-752-334-64	s IC CXD1171M
IC1026	8-759-440-94	s IC SN74LVT245ANS
IC1027	8-752-306-51	s IC CX23065A
IC1028	8-759-925-05	s IC LM2903PS
IC1029	8-759-030-16	s IC MC34182M
IC1030	8-759-702-08	s IC NJM360M
IC1031	8-752-334-64	s IC CXD1171M
IC1032	8-759-175-65	s IC CXD8821Q
IC1033	8-759-702-08	s IC NJM360M
IC1034*7	8-759-082-61	s IC TC4W53FU
	*2 8-759-300-71	s IC HD14053BFP
IC1035	8-759-986-32	s IC 74ACT244SJ
IC1036-1041	8-759-440-94	s IC SN74LVT245ANS
IC1042	8-759-987-82	s IC 74AC00SJ
IC1043	8-759-672-91	s IC MM74HC163SJX
IC1044	8-759-030-16	s IC MC34182M
IC1045*7	8-759-014-29	s IC MC34184M
	*2 8-759-030-16	s IC MC34182M
IC1046	8-759-082-57	s IC TC7W04FU
IC1047	8-759-985-26	s IC 74AC74SJ
IC1048*7	8-759-082-57	s IC TC7W04FU
IC1049*4	8-759-234-20	s IC TC7S08F
	*1 8-759-058-61	s IC TC7S08FU
IC1050	8-759-926-15	s IC SN74HC151ANS
IC1051*7	8-759-184-64	s IC TC4W66FU
	*3 8-759-234-77	s IC TC4S66F
IC1052*4	8-759-082-61	s IC TC4W53FU
IC1053*4	8-759-035-93	s IC SC7S32F
IC1054*4	8-759-234-77	s IC TC4S66F
IC1057*c	8-759-985-36	s IC 74AC157SJ
IC1058*c	8-759-985-36	s IC 74AC157SJ
IC1095*d	8-759-925-05	s IC LM2903PS
IC1192*d	8-759-239-58	s IC TC74HC221AF
IC1193*d	8-759-239-55	s IC TC74HC123AF
IC1194*d	8-759-035-93	s IC SC7S32F

-----  
 \*1: Board No. suffix 11 only  
 \*2: Board No. suffix 11 or 12  
 \*3: Board No. suffix 12 only  
 \*4: Board No. suffix 12 or higher

(VPR-1 BOARD for DVW-A500P, suffix 11 through 17)

Ref. No. or Q'ty	Part No.	SP Description
IC1196*d	8-759-082-59	s IC TC7W32FU
IC1197*d	8-759-082-58	s IC TC7W08FU
IC1198*d	8-759-038-46	s IC SC7S00F
L106	1-412-194-11	s INDUCTOR, CHIP 82uH
L107	*4 1-412-177-11	s INDUCTOR, CHIP 2.2uH
	*1 (*3)1-412-181-11	s INDUCTOR, CHIP 4.7uH
L109	*4 1-412-174-11	s INDUCTOR, CHIP 1.0uH
	*1 (*3)1-412-177-11	s INDUCTOR, CHIP 2.2uH
L110	*4 1-412-143-11	s INDUCTOR, CHIP 39uH
	*1 (*3)1-412-188-11	s INDUCTOR, CHIP 22uH
L112	*4 1-412-188-11	s INDUCTOR, CHIP 22uH
	*1 (*3)1-412-137-11	s INDUCTOR, CHIP 10uH
L113	*4 1-412-177-11	s INDUCTOR, CHIP 2.2uH
	*1 (*3)1-412-187-11	s INDUCTOR, CHIP 18uH
L115	*4 1-412-174-11	s INDUCTOR, CHIP 1.0uH
	*1 (*3)1-412-184-11	s INDUCTOR, CHIP 8.2uH
L300-304	1-410-803-31	s INDUCTOR, CHIP 0.047uH
L306	1-410-393-11	s INDUCTOR, CHIP 100uH
L308	*1 1-410-803-31	s INDUCTOR, CHIP 0.047uH
L309	1-410-803-31	s INDUCTOR, CHIP 0.047uH
L310	1-410-803-31	s INDUCTOR, CHIP 0.047uH
L500-503	1-410-803-31	s INDUCTOR, CHIP 0.047uH
L504	1-410-393-11	s INDUCTOR, CHIP 100uH
L505-507	1-410-803-31	s INDUCTOR, CHIP 0.047uH
L508	*7 1-410-393-11	s INDUCTOR, CHIP 100uH
L509	*7 1-410-393-11	s INDUCTOR, CHIP 100uH
L600	*7 1-412-164-11	s INDUCTOR, CHIP 0.12uH
	*2 1-412-139-11	s INDUCTOR, CHIP 0.22uH
L601	*7 1-412-193-11	s INDUCTOR, CHIP 68uH
	*2 1-412-192-11	s INDUCTOR, CHIP 56uH
L603	*7 1-412-191-11	s INDUCTOR, CHIP 47uH
	*2 1-412-194-11	s INDUCTOR, CHIP 82uH
L605	*7 1-412-191-11	s INDUCTOR, CHIP 47uH
	*2 1-412-194-11	s INDUCTOR, CHIP 82uH
L606	*7 1-412-164-11	s INDUCTOR, CHIP 0.12uH
	*2 1-412-139-11	s INDUCTOR, CHIP 0.22uH
L607	*7 1-412-193-11	s INDUCTOR, CHIP 68uH
	*2 1-412-192-11	s INDUCTOR, CHIP 56uH
L608	*7 1-412-164-11	s INDUCTOR, CHIP 0.12uH
	*2 1-412-139-11	s INDUCTOR, CHIP 0.22uH
L609	*7 1-412-193-11	s INDUCTOR, CHIP 68uH
	*2 1-412-192-11	s INDUCTOR, CHIP 56uH
L610	1-412-137-11	s INDUCTOR, CHIP 10uH
L611	1-412-137-11	s INDUCTOR, CHIP 10uH
L616	1-410-387-11	s INDUCTOR, CHIP 33uH
L750	1-412-526-11	s INDUCTOR 12uH
L751	*2 1-412-526-11	s INDUCTOR 12uH
L752	1-412-526-11	s INDUCTOR 12uH
L753	*2 1-412-526-11	s INDUCTOR 12uH

-----  
 \*7: Board No. suffix 13 or higher  
 \*c: Board No. suffix 14 or higher  
 \*d: Board No. suffix 15 or higher  
 (\*?): Some mounted circuit boards within specified “\*?”



(VPR-1 BOARD for DVW-A500P, suffix 11 through 17)

Ref. No. or Q'ty	Part No.	SP	Description
L754	*4 1-412-526-11	s	INDUCTOR 12uH
L755	1-412-526-11	s	INDUCTOR 12uH
L756	*2 1-412-526-11	s	INDUCTOR 12uH
L757	1-412-526-11	s	INDUCTOR 12uH
L758	*1 1-412-526-11	s	INDUCTOR 12uH
L1000	1-412-138-11	s	INDUCTOR, CHIP 100uH
L1003	1-410-393-11	s	INDUCTOR, CHIP 100uH
L1004	1-410-393-11	s	INDUCTOR, CHIP 100uH
L1005	1-410-393-11	s	INDUCTOR, CHIP 100uH
L1007	1-412-143-11	s	INDUCTOR, CHIP 39uH
L1008	1-412-188-11	s	INDUCTOR, CHIP 22uH
L1010	1-410-393-11	s	INDUCTOR, CHIP 100uH
L1011	*7 1-410-393-11	s	INDUCTOR, CHIP 100uH
L1012	1-412-137-11	s	INDUCTOR, CHIP 10uH
L1013	1-412-137-11	s	INDUCTOR, CHIP 10uH
L1014	1-410-393-11	s	INDUCTOR, CHIP 100uH
L1016-1019	1-412-191-11	s	INDUCTOR, CHIP 47uH
L1020-1024	1-410-803-31	s	INDUCTOR, CHIP 0.047uH
PS100	Δ 1-533-348-11	s	LINK, IC, CHIP 4A (For Europa model)
	Δ 1-533-272-11	s	FUSE, CHIP 4A 125V (For USA and Canada models)
Q100	8-729-140-63	s	TRANSISTOR 2SA1611-M5M6
Q101	8-729-117-32	s	TRANSISTOR 2SC4177-L6
Q102-105	8-729-140-63	s	TRANSISTOR 2SA1611-M5M6
Q106-109	8-729-117-32	s	TRANSISTOR 2SC4177-L6
Q111-115	8-729-117-32	s	TRANSISTOR 2SC4177-L6
Q116	8-729-143-07	s	TRANSISTOR 2SA1610-Y33
Q117	8-729-117-32	s	TRANSISTOR 2SC4177-L6
Q118	8-729-143-07	s	TRANSISTOR 2SA1610-Y33
Q119	8-729-106-68	s	TRANSISTOR 2SC1615A-GP
Q123-128	8-729-117-32	s	TRANSISTOR 2SC4177-L6
Q129	8-729-140-63	s	TRANSISTOR 2SA1611-M5M6
Q600	8-729-140-63	s	TRANSISTOR 2SA1611-M5M6
Q601	*7 8-729-117-32	s	TRANSISTOR 2SC4177-L6
	*2 8-729-140-63	s	TRANSISTOR 2SA1611-M5M6
Q602	8-729-140-63	s	TRANSISTOR 2SA1611-M5M6
Q603	*7 8-729-117-32	s	TRANSISTOR 2SC4177-L6
	*2 8-729-140-63	s	TRANSISTOR 2SA1611-M5M6
Q604	8-729-140-63	s	TRANSISTOR 2SA1611-M5M6
Q605	*7 8-729-117-32	s	TRANSISTOR 2SC4177-L6
	*2 8-729-140-63	s	TRANSISTOR 2SA1611-M5M6
Q606	8-729-140-63	s	TRANSISTOR 2SA1611-M5M6
Q607	*7 8-729-117-32	s	TRANSISTOR 2SC4177-L6
	*2 8-729-140-63	s	TRANSISTOR 2SA1611-M5M6
Q608	8-729-140-63	s	TRANSISTOR 2SA1611-M5M6
Q609	*7 8-729-117-32	s	TRANSISTOR 2SC4177-L6
	*2 8-729-140-63	s	TRANSISTOR 2SA1611-M5M6
Q610-619	*2 8-729-140-63	s	TRANSISTOR 2SA1611-M5M6

-----  
\*1: Board No. suffix 11 only  
\*2: Board No. suffix 11 or 12  
\*4: Board No. suffix 12 or higher

(VPR-1 BOARD for DVW-A500P, suffix 11 through 17)

Ref. No. or Q'ty	Part No.	SP	Description
Q620	8-729-117-32	s	TRANSISTOR 2SC4177-L6
Q750	8-729-140-63	s	TRANSISTOR 2SA1611-M5M6
Q1000	8-729-140-63	s	TRANSISTOR 2SA1611-M5M6
Q1001	8-729-140-63	s	TRANSISTOR 2SA1611-M5M6
Q1002	8-729-143-07	s	TRANSISTOR 2SA1610-Y33
Q1003	8-729-143-07	s	TRANSISTOR 2SA1610-Y33
Q1004	8-729-140-63	s	TRANSISTOR 2SA1611-M5M6
Q1005	8-729-140-63	s	TRANSISTOR 2SA1611-M5M6
Q1006	8-729-140-63	s	TRANSISTOR 2SA1611-M5M6
Q1007	8-729-905-18	s	TRANSISTOR DTCL44EU
Q1008	*7 8-729-117-32	s	TRANSISTOR 2SC4177-L6
Q1009	*7 8-729-140-63	s	TRANSISTOR 2SA1611-M5M6
Q1010	*7 8-729-117-32	s	TRANSISTOR 2SC4177-L6
Q1011	*7 8-729-117-32	s	TRANSISTOR 2SC4177-L6
	*2 8-729-907-26	s	TRANSISTOR IMX1
Q1012	8-729-117-32	s	TRANSISTOR 2SC4177-L6
Q1013	*a 8-729-905-12	s	TRANSISTOR DTA144EU
R100	1-216-025-00	s	METAL, CHIP 100 5% 1/10W (2125)
R101	1-216-675-11	s	METAL, CHIP 10K 0.5% 1/10W (2125)
R102	1-216-065-00	s	METAL, CHIP 4.7K 5% 1/10W (2125)
R103	1-216-017-00	s	METAL, CHIP 47 5% 1/10W (2125)
R104	1-208-774-11	s	METAL, CHIP 470 0.5% 1/10W (2125)
R105	1-216-017-00	s	METAL, CHIP 47 5% 1/10W (2125)
R106	1-216-624-11	s	METAL, CHIP 75 0.5% 1/10W (2125)
R107	1-216-017-00	s	METAL, CHIP 47 5% 1/10W (2125)
R108	1-216-624-11	s	METAL, CHIP 75 0.5% 1/10W (2125)
R109	1-216-017-00	s	METAL, CHIP 47 5% 1/10W (2125)
R110	1-216-624-11	s	METAL, CHIP 75 0.5% 1/10W (2125)
R111	1-216-049-00	s	METAL, CHIP 1.0K 5% 1/10W (2125)
R112	1-216-053-00	s	METAL, CHIP 1.5K 5% 1/10W (2125)
R113	1-208-774-11	s	METAL, CHIP 470 0.5% 1/10W (2125)
R114	1-216-053-00	s	METAL, CHIP 1.5K 5% 1/10W (2125)
R115	1-208-774-11	s	METAL, CHIP 470 0.5% 1/10W (2125)
R116	1-216-631-11	s	METAL, CHIP 150 0.5% 1/10W (2125)
R117	1-216-049-00	s	METAL, CHIP 1.0K 5% 1/10W (2125)
R118	1-216-631-11	s	METAL, CHIP 150 0.5% 1/10W (2125)
R119	1-208-774-11	s	METAL, CHIP 470 0.5% 1/10W (2125)
R120	1-208-774-11	s	METAL, CHIP 470 0.5% 1/10W (2125)
R121-123	*7 1-216-049-00	s	METAL, CHIP 1.0K 5% 1/10W (2125)
	*2 1-216-651-11	s	METAL, CHIP 1.0K 0.5% 1/10W (2125)
R124	1-216-617-11	s	METAL, CHIP 39 0.5% 1/10W (2125)
R125	1-216-617-11	s	METAL, CHIP 39 0.5% 1/10W (2125)
R126	1-216-621-11	s	METAL, CHIP 56 0.5% 1/10W (2125)
R127	1-216-049-00	s	METAL, CHIP 1.0K 5% 1/10W (2125)
R128	1-216-639-11	s	METAL, CHIP 330 0.5% 1/10W (2125)
R129	1-216-639-11	s	METAL, CHIP 330 0.5% 1/10W (2125)
R130	1-208-774-11	s	METAL, CHIP 470 0.5% 1/10W (2125)
R131	1-216-639-11	s	METAL, CHIP 330 0.5% 1/10W (2125)
R132	1-216-659-11	s	METAL, CHIP 2.2K 0.5% 1/10W (2125)
R133	1-216-635-11	s	METAL, CHIP 220 0.5% 1/10W (2125)
R134	1-216-659-11	s	METAL, CHIP 2.2K 0.5% 1/10W (2125)
R135	1-216-635-11	s	METAL, CHIP 220 0.5% 1/10W (2125)
R136	1-216-659-11	s	METAL, CHIP 2.2K 0.5% 1/10W (2125)
R137	1-216-635-11	s	METAL, CHIP 220 0.5% 1/10W (2125)
R138	1-216-661-11	s	METAL, CHIP 2.7K 0.5% 1/10W (2125)

-----  
\*7: Board No. suffix 13 or higher  
\*a: Board No. suffix 13 or 14

(VPR-1 BOARD for DVW-A500P, suffix 11 through 17)

(VPR-1 BOARD for DVW-A500P, suffix 11 through 17)

Ref. No. or Q'ty	Part No.	SP Description
R139-141	1-216-667-11	s METAL, CHIP 4.7K 0.5% 1/10W
R142-144	1-216-025-00	s METAL, CHIP 100 5% 1/10W (2125)
R145	*4 1-216-678-11	s METAL, CHIP 13K 0.5% 1/10W
	*1 (*3)1-216-697-11	s METAL, CHIP 82K 0.5% 1/10W (2125)
R146	*7 1-216-687-11	s METAL, CHIP 33K 0.5% 1/10W (2125)
	*2 1-216-675-11	s METAL, CHIP 10K 0.5% 1/10W (2125)
R147	*2 1-216-675-11	s METAL, CHIP 10K 0.5% 1/10W
R148	*4 1-216-678-11	s METAL, CHIP 13K 0.5% 1/10W (2125)
	*1 (*3)1-216-697-11	s METAL, CHIP 82K 0.5% 1/10W
R149	*7 1-216-049-00	s METAL, CHIP 1.0K 5% 1/10W (2125)
	*2 1-216-675-11	s METAL, CHIP 10K 0.5% 1/10W (2125)
R150	*4 1-216-675-11	s METAL, CHIP 10K 0.5% 1/10W (2125)
	*1 (*3)1-216-699-11	s METAL, CHIP 100K 0.5% 1/10W
R151	1-216-667-11	s METAL, CHIP 4.7K 0.5% 1/10W
R152-154	1-216-041-00	s METAL, CHIP 470 5% 1/10W (2125)
R155	*7 1-216-619-11	s METAL, CHIP 47 0.5% 1/10W (2125)
	*2 1-216-617-11	s METAL, CHIP 39 0.5% 1/10W (2125)
R156	1-216-627-11	s METAL, CHIP 100 0.5% 1/10W
R157	1-216-017-00	s METAL, CHIP 47 5% 1/10W (2125)
R158	1-216-627-11	s METAL, CHIP 100 0.5% 1/10W (2125)
R159	1-216-057-00	s METAL, CHIP 2.2K 5% 1/10W (2125)
R160	1-216-017-00	s METAL, CHIP 47 5% 1/10W (2125)
R161	1-216-057-00	s METAL, CHIP 2.2K 5% 1/10W (2125)
R162	1-216-017-00	s METAL, CHIP 47 5% 1/10W (2125)
R163	1-216-057-00	s METAL, CHIP 2.2K 5% 1/10W (2125)
R164	1-216-073-00	s METAL, CHIP 10K 5% 1/10W (2125)
R165	1-216-057-00	s METAL, CHIP 2.2K 5% 1/10W (2125)
R166	1-208-775-11	s METAL, CHIP 510 0.5% 1/10W (2125)
R167	1-208-784-11	s METAL, CHIP 1.2K 0.5% 1/10W
R168	1-208-775-11	s METAL, CHIP 510 0.5% 1/10W (2125)
R169	1-216-057-00	s METAL, CHIP 2.2K 5% 1/10W (2125)
R170	1-216-639-11	s METAL, CHIP 330 0.5% 1/10W
R171	1-216-057-00	s METAL, CHIP 2.2K 5% 1/10W (2125)
R172	1-216-057-00	s METAL, CHIP 2.2K 5% 1/10W (2125)
R173	*7 1-216-073-00	s METAL, CHIP 10K 5% 1/10W (2125)
	*2 1-216-121-00	s METAL, CHIP 1.0M 5% 1/10W (2125)
R174	*7 1-216-675-11	s METAL, CHIP 10K 0.5% 1/10W
	*2 1-216-121-00	s METAL, CHIP 1.0M 5% 1/10W (2125)
R175	1-216-121-00	s METAL, CHIP 1.0M 5% 1/10W (2125)
R176	1-216-073-00	s METAL, CHIP 10K 5% 1/10W (2125)
R177	*7 1-216-041-00	s METAL, CHIP 470 5% 1/10W (2125)
	*2 1-216-675-11	s METAL, CHIP 10K 0.5% 1/10W (2125)
R178	*7 1-216-065-00	s METAL, CHIP 4.7K 5% 1/10W (2125)
	*2 1-216-675-11	s METAL, CHIP 10K 0.5% 1/10W (2125)
R179	*7 1-216-121-00	s METAL, CHIP 1.0M 5% 1/10W (2125)
	*2 1-216-675-11	s METAL, CHIP 10K 0.5% 1/10W
R180	*7 1-216-049-00	s METAL, CHIP 1.0K 5% 1/10W (2125)
	*2 1-216-675-11	s METAL, CHIP 10K 0.5% 1/10W
R181	1-216-675-11	s METAL, CHIP 10K 0.5% 1/10W (2125)
R182	*7 1-216-041-00	s METAL, CHIP 470 5% 1/10W (2125)
	*2 1-216-675-11	s METAL, CHIP 10K 0.5% 1/10W

Ref. No. or Q'ty	Part No.	SP Description
R183	*7 1-216-049-00	s METAL, CHIP 1.0K 5% 1/10W (2125)
	*2 1-216-079-00	s METAL, CHIP 18K 5% 1/10W (2125)
R184	1-216-065-00	s METAL, CHIP 4.7K 5% 1/10W (2125)
R185	1-216-651-11	s METAL, CHIP 1.0K 0.5% 1/10W (2125)
R186	1-216-661-11	s METAL, CHIP 2.7K 0.5% 1/10W (2125)
R187	1-216-651-11	s METAL, CHIP 1.0K 0.5% 1/10W (2125)
R188-190	1-216-081-00	s METAL, CHIP 22K 5% 1/10W (2125)
R191	*4 1-216-029-00	s METAL, CHIP 150 5% 1/10W (2125)
	*1 (*3)1-216-041-00	s METAL, CHIP 470 5% 1/10W (2125)
R192	1-216-017-00	s METAL, CHIP 47 5% 1/10W (2125)
R193	1-208-800-11	s METAL, CHIP 5.6K 0.5% 1/10W (2125)
R194	1-216-665-11	s METAL, CHIP 3.9K 0.5% 1/10W (2125)
R195	1-216-665-11	s METAL, CHIP 3.9K 0.5% 1/10W (2125)
R196	1-216-633-11	s METAL, CHIP 180 0.5% 1/10W (2125)
R197	1-216-659-11	s METAL, CHIP 2.2K 0.5% 1/10W (2125)
R198	1-216-645-11	s METAL, CHIP 560 0.5% 1/10W (2125)
R199	1-216-650-11	s METAL, CHIP 910 0.5% 1/10W (2125)
R200	1-216-651-11	s METAL, CHIP 1.0K 0.5% 1/10W (2125)
R201	1-208-800-11	s METAL, CHIP 5.6K 0.5% 1/10W (2125)
R202	1-216-679-11	s METAL, CHIP 15K 0.5% 1/10W (2125)
R203	1-216-659-11	s METAL, CHIP 2.2K 0.5% 1/10W (2125)
R204	1-216-645-11	s METAL, CHIP 560 0.5% 1/10W (2125)
R205	1-216-650-11	s METAL, CHIP 910 0.5% 1/10W (2125)
R206	1-216-675-11	s METAL, CHIP 10K 0.5% 1/10W (2125)
R207-209	1-208-774-11	s METAL, CHIP 470 0.5% 1/10W (2125)
R210	1-216-675-11	s METAL, CHIP 10K 0.5% 1/10W (2125)
R211	1-208-774-11	s METAL, CHIP 470 0.5% 1/10W (2125)
R212	1-216-041-00	s METAL, CHIP 470 5% 1/10W (2125)
R213	*7 1-208-824-11	s METAL, CHIP 56K 0.5% 1/10W (2125)
	*2 1-208-822-11	s METAL, CHIP 47K 0.5% 1/10W (2125)
R214	*7 1-208-824-11	s METAL, CHIP 56K 0.5% 1/10W (2125)
	*2 1-208-822-11	s METAL, CHIP 47K 0.5% 1/10W (2125)
R215	1-216-679-11	s METAL, CHIP 15K 0.5% 1/10W (2125)
R216	1-216-025-00	s METAL, CHIP 100 5% 1/10W (2125)
R217	1-208-774-11	s METAL, CHIP 470 0.5% 1/10W (2125)
R218	1-208-774-11	s METAL, CHIP 470 0.5% 1/10W (2125)
R219	*7 1-216-133-00	s METAL, CHIP 3.3M 5% 1/10W (2125)
	*3 1-216-073-00	s METAL, CHIP 10K 5% 1/10W (2125)
R220	*7 1-216-133-00	s METAL, CHIP 3.3M 5% 1/10W (2125)
	*3 1-216-121-00	s METAL, CHIP 1.0M 5% 1/10W (2125)
R221	*3 1-216-061-00	s METAL, CHIP 3.3K 5% 1/10W (2125)
R222	*4 1-216-121-00	s METAL, CHIP 1.0M 5% 1/10W (2125)
	*1 1-247-903-00	s CARBON 1.0M 5% 1/4W
R223	*7 1-208-775-11	s METAL, CHIP 510 0.5% 1/10W (2125)
	(*h)1-208-775-11	s METAL, CHIP 510 0.5% 1/10W (2125)
R224	*4 1-216-651-11	s METAL, CHIP 1.0K 0.5% 1/10W (2125)
	*1 (*3)1-216-667-11	s METAL, CHIP 4.7K 0.5% 1/10W (2125)
R225	*4 1-208-789-11	s METAL, CHIP 2.0K 0.5% 1/10W (2125)
	*1 (*3)1-216-675-11	s METAL, CHIP 10K 0.5% 1/10W (2125)
R226	*7 1-208-775-11	s METAL, CHIP 510 0.5% 1/10W (2125)
	(*h)1-208-775-11	s METAL, CHIP 510 0.5% 1/10W (2125)
R227	*4 1-208-814-11	s METAL, CHIP 22K 0.5% 1/10W (2125)
	*1 (*3)1-216-666-11	s METAL, CHIP 4.3K 0.5% 1/10W (2125)

-----  
 \*1: Board No. suffix 11 only  
 \*2: Board No. suffix 11 or 12  
 \*3: Board No. suffix 12 only  
 \*4: Board No. suffix 12 or higher

-----  
 \*7: Board No. suffix 13 or higher  
 \*h: LOT No. 309 through 312  
 (\*?): Some mounted circuit boards within specified "\*?"

(VPR-1 BOARD for DVW-A500P, suffix 11 through 17)

(VPR-1 BOARD for DVW-A500P, suffix 11 through 17)

Ref. No. or Q'ty	Part No.	SP	Description
R228	*4 1-208-814-11	s	METAL, CHIP 22K 0.5% 1/10W (2125)
	*1 (*3)1-216-666-11	s	METAL, CHIP 4.3K 0.5% 1/10W
R229	*4 1-216-651-11	s	METAL, CHIP 1.0K 0.5% 1/10W
	*1 (*3)1-216-667-11	s	METAL, CHIP 4.7K 0.5% 1/10W
R230	*4 1-208-789-11	s	METAL, CHIP 2.0K 0.5% 1/10W
	*1 (*3)1-216-675-11	s	METAL, CHIP 10K 0.5% 1/10W (2125)
R231,232			
	*4 1-208-814-11	s	METAL, CHIP 22K 0.5% 1/10W (2125)
	*1 (*3)1-216-666-11	s	METAL, CHIP 4.3K 0.5% 1/10W
R233	*7 1-216-675-11	s	METAL, CHIP 10K 0.5% 1/10W (2125)
R234	*7 1-216-121-00	s	METAL, CHIP 1.0M 5% 1/10W (2125)
R235	*7 1-216-041-00	s	METAL, CHIP 470 5% 1/10W (2125)
R236	*7 1-216-065-00	s	METAL, CHIP 4.7K 5% 1/10W (2125)
R260	1-216-295-00	s	METAL, CHIP 0 (2125)
R274-281	1-216-025-00	s	METAL, CHIP 100 5% 1/10W (2125)
R282	1-216-649-11	s	METAL, CHIP 820 0.5% 1/10W (2125)
R290	*d 1-216-295-00	s	METAL, CHIP 0 (2125)
R291	1-216-295-00	s	METAL, CHIP 0 (2125)
R294	1-216-295-00	s	METAL, CHIP 0 (2125)
R302	1-216-033-00	s	METAL, CHIP 220 5% 1/10W (2125)
R308	1-216-033-00	s	METAL, CHIP 220 5% 1/10W (2125)
R310	*r 1-249-417-11	s	CARBON 1.0K 5% 1/4W
R314	1-216-033-00	s	METAL, CHIP 220 5% 1/10W (2125)
R344	*1 1-216-295-00	s	METAL, CHIP 0 (2125)
R346	*1 1-216-295-00	s	METAL, CHIP 0 (2125)
R347	*1 1-216-295-00	s	METAL, CHIP 0 (2125)
R351	*5 1-216-025-00	s	METAL, CHIP 100 5% 1/10W (2125)
R352	*5 1-216-025-00	s	METAL, CHIP 100 5% 1/10W (2125)
R403	*7 1-216-295-00	s	METAL, CHIP 0 (2125)
R404	*7 1-216-073-00	s	METAL, CHIP 10K 5% 1/10W (2125)
R405	*7 1-216-073-00	s	METAL, CHIP 10K 5% 1/10W (2125)
R409	1-216-049-00	s	METAL, CHIP 1.0K 5% 1/10W (2125)
R411	1-216-295-00	s	METAL, CHIP 0 (2125)
R415	1-216-295-00	s	METAL, CHIP 0 (2125)
R416	1-216-295-00	s	METAL, CHIP 0 (2125)
R423	1-216-295-00	s	METAL, CHIP 0 (2125)
R424	1-216-089-00	s	METAL, CHIP 47K 5% 1/10W (2125)
R439	1-216-073-00	s	METAL, CHIP 10K 5% 1/10W (2125)
R493	1-216-025-00	s	METAL, CHIP 100 5% 1/10W (2125)
R494	*5 1-216-025-00	s	METAL, CHIP 100 5% 1/10W (2125)
R500-502	1-216-033-00	s	METAL, CHIP 220 5% 1/10W (2125)
R503	*7 1-216-017-00	s	METAL, CHIP 47 5% 1/10W (2125)
	*1 1-216-295-00	s	METAL, CHIP 0 (2125)
R504	*1 1-216-295-00	s	METAL, CHIP 0 (2125)
R505	*7 1-216-295-00	s	METAL, CHIP 0 (2125)
R517	*d 1-216-295-00	s	METAL, CHIP 0 (2125)
R521	*d 1-216-295-00	s	METAL, CHIP 0 (2125)
R524	*d 1-216-295-00	s	METAL, CHIP 0 (2125)
R527	*7 1-216-689-11	s	METAL, CHIP 39K 0.5% 1/10W (2125)
R528	*7 1-208-784-11	s	METAL, CHIP 1.2K 0.5% 1/10W
R529	*7 1-208-784-11	s	METAL, CHIP 1.2K 0.5% 1/10W
R530	*7 1-216-667-11	s	METAL, CHIP 4.7K 0.5% 1/10W
	*1 1-216-295-00	s	METAL, CHIP 0 (2125)
R531	*7 1-216-631-11	s	METAL, CHIP 150 0.5% 1/10W (2125)
R532	*7 1-208-785-11	s	METAL, CHIP 1.3K 0.5% 1/10W

-----  
 \*1: Board No. suffix 11 only  
 \*3: Board No. suffix 12 only  
 \*4: Board No. suffix 12 or higher  
 \*5: Board No. suffix 11, 12, or 13

Ref. No. or Q'ty	Part No.	SP	Description
R533	*7 1-208-789-11	s	METAL, CHIP 2.0K 0.5% 1/10W (2125)
	*1 1-216-295-00	s	METAL, CHIP 0 (2125)
R534	*7 1-216-649-11	s	METAL, CHIP 820 0.5% 1/10W (2125)
R535	*7 1-208-784-11	s	METAL, CHIP 1.2K 0.5% 1/10W (2125)
R536	*7 1-216-657-11	s	METAL, CHIP 1.8K 0.5% 1/10W (2125)
R537	*7 1-216-689-11	s	METAL, CHIP 39K 0.5% 1/10W (2125)
R538	*7 1-216-667-11	s	METAL, CHIP 4.7K 0.5% 1/10W (2125)
R539	*7 1-216-631-11	s	METAL, CHIP 150 0.5% 1/10W (2125)
R540	*7 1-208-785-11	s	METAL, CHIP 1.3K 0.5% 1/10W (2125)
R541	*7 1-216-649-11	s	METAL, CHIP 820 0.5% 1/10W (2125)
R542	*7 1-208-784-11	s	METAL, CHIP 1.2K 0.5% 1/10W (2125)
R543	1-216-295-00	s	METAL, CHIP 0 (2125)
R545	1-216-017-00	s	METAL, CHIP 47 5% 1/10W (2125)
R546	1-216-017-00	s	METAL, CHIP 47 5% 1/10W (2125)
R548	*4 1-216-017-00	s	METAL, CHIP 47 5% 1/10W (2125)
R549	1-216-017-00	s	METAL, CHIP 47 5% 1/10W (2125)
R550	*4 1-216-295-00	s	METAL, CHIP 0 (2125)
	*1 1-216-073-00	s	METAL, CHIP 10K 5% 1/10W (2125)
R553	*4 1-216-295-00	s	METAL, CHIP 0 (2125)
	*1 1-216-073-00	s	METAL, CHIP 10K 5% 1/10W (2125)
R554	1-216-017-00	s	METAL, CHIP 47 5% 1/10W (2125)
R555	*9 1-216-113-00	s	METAL, CHIP 470K 5% 1/10W (2125)
R556	*4 1-208-784-11	s	METAL, CHIP 1.2K 0.5% 1/10W (2125)
R557-560	1-216-017-00	s	METAL, CHIP 47 5% 1/10W (2125)
R561	1-216-667-11	s	METAL, CHIP 4.7K 0.5% 1/10W (2125)
	(*1)1-216-675-11	s	METAL, CHIP 10K 0.5% 1/10W (2125)
R562	1-216-073-00	s	METAL, CHIP 10K 5% 1/10W (2125)
R563	1-216-073-00	s	METAL, CHIP 10K 5% 1/10W (2125)
R564	1-216-675-11	s	METAL, CHIP 10K 0.5% 1/10W (2125)
R565	1-216-121-00	s	METAL, CHIP 1.0M 5% 1/10W (2125)
R566	1-216-025-00	s	METAL, CHIP 100 5% 1/10W (2125)
R567	1-216-295-00	s	METAL, CHIP 0 (2125)
R568	1-216-049-00	s	METAL, CHIP 1.0K 5% 1/10W (2125)
R569	1-216-049-00	s	METAL, CHIP 1.0K 5% 1/10W (2125)
R570	1-216-025-00	s	METAL, CHIP 100 5% 1/10W (2125)
R571	1-216-025-00	s	METAL, CHIP 100 5% 1/10W (2125)
R572	*7 1-216-667-11	s	METAL, CHIP 4.7K 0.5% 1/10W (2125)
R573	*7 1-216-631-11	s	METAL, CHIP 150 0.5% 1/10W (2125)
R574	*7 1-208-785-11	s	METAL, CHIP 1.3K 0.5% 1/10W (2125)
R575	*7 1-208-789-11	s	METAL, CHIP 2.0K 0.5% 1/10W (2125)
R576	*7 1-216-649-11	s	METAL, CHIP 820 0.5% 1/10W (2125)
R577	*7 1-208-784-11	s	METAL, CHIP 1.2K 0.5% 1/10W (2125)
R578	*7 1-216-689-11	s	METAL, CHIP 39K 0.5% 1/10W (2125)
R579	*7 1-216-667-11	s	METAL, CHIP 4.7K 0.5% 1/10W (2125)
R580	*7 1-216-631-11	s	METAL, CHIP 150 0.5% 1/10W (2125)
R581	*7 1-208-785-11	s	METAL, CHIP 1.3K 0.5% 1/10W (2125)
R582	*7 1-208-789-11	s	METAL, CHIP 2.0K 0.5% 1/10W (2125)
R583	*7 1-216-649-11	s	METAL, CHIP 820 0.5% 1/10W (2125)
R584	1-216-073-00	s	METAL, CHIP 10K 5% 1/10W (2125)
R585	*7 1-208-784-11	s	METAL, CHIP 1.2K 0.5% 1/10W (2125)
R586	*7 1-208-817-11	s	METAL, CHIP 30K 0.5% 1/10W (2125)
R587	*7 1-216-667-11	s	METAL, CHIP 4.7K 0.5% 1/10W (2125)
R588	*7 1-216-631-11	s	METAL, CHIP 150 0.5% 1/10W (2125)
R589	*7 1-208-785-11	s	METAL, CHIP 1.3K 0.5% 1/10W (2125)
R590	*7 1-216-649-11	s	METAL, CHIP 820 0.5% 1/10W (2125)
R591	*7 1-208-784-11	s	METAL, CHIP 1.2K 0.5% 1/10W (2125)

-----  
 \*7: Board No. suffix 13 or higher  
 \*9: Board No. suffix 12, 13, or 14  
 \*d: Board No. suffix 15 or higher  
 \*r: LOT No. 719 or higher  
 (\*?): Some mounted circuit boards within specified "\*?"

(VPR-1 BOARD for DVW-A500P, suffix 11 through 17)

(VPR-1 BOARD for DVW-A500P, suffix 11 through 17)

Ref. No. or Q'ty	Part No.	SP	Description
R592	*7 1-208-789-11	s	METAL, CHIP 2.0K 0.5% 1/10W
R593	*4 1-216-073-00	s	METAL, CHIP 10K 5% 1/10W (2125)
R594	*2 1-216-057-00	s	METAL, CHIP 2.2K 5% 1/10W (2125)
R595	*2 1-216-057-00	s	METAL, CHIP 2.2K 5% 1/10W (2125)
R596	*2 1-216-057-00	s	METAL, CHIP 2.2K 5% 1/10W (2125)
R597	*7 1-216-657-11	s	METAL, CHIP 1.8K 0.5% 1/10W
	*2 1-216-057-00	s	METAL, CHIP 2.2K 5% 1/10W (2125)
R598	*7 1-208-789-11	s	METAL, CHIP 2.0K 0.5% 1/10W
	*2 1-216-057-00	s	METAL, CHIP 2.2K 5% 1/10W (2125)
R599	*2 1-216-635-11	s	METAL, CHIP 220 0.5% 1/10W (2125)
R600	*7 1-208-784-11	s	METAL, CHIP 1.2K 0.5% 1/10W
	*2 1-216-659-11	s	METAL, CHIP 2.2K 0.5% 1/10W
R601	*7 1-208-784-11	s	METAL, CHIP 1.2K 0.5% 1/10W
	*2 1-216-661-11	s	METAL, CHIP 2.7K 0.5% 1/10W
R602	*7 1-208-784-11	s	METAL, CHIP 1.2K 0.5% 1/10W
	*2 1-216-659-11	s	METAL, CHIP 2.2K 0.5% 1/10W
R603-605			
	*7 1-208-784-11	s	METAL, CHIP 1.2K 0.5% 1/10W
	*2 1-216-661-11	s	METAL, CHIP 2.7K 0.5% 1/10W
R606	*c 1-216-073-00	s	METAL, CHIP 10K 5% 1/10W (2125)
	*5 1-216-671-11	s	METAL, CHIP 6.8K 0.5% 1/10W
R607	*2 1-216-663-11	s	METAL, CHIP 3.3K 0.5% 1/10W
R608	*2 1-216-663-11	s	METAL, CHIP 3.3K 0.5% 1/10W
R609	*c 1-216-073-00	s	METAL, CHIP 10K 5% 1/10W (2125)
	*5 1-216-671-11	s	METAL, CHIP 6.8K 0.5% 1/10W
R610	*c 1-216-651-11	s	METAL, CHIP 1.0K 0.5% 1/10W
	*5 1-216-659-11	s	METAL, CHIP 2.2K 0.5% 1/10W
R611	*5 1-216-661-11	s	METAL, CHIP 2.7K 0.5% 1/10W
R612	*c 1-216-073-00	s	METAL, CHIP 10K 5% 1/10W (2125)
	*5 1-216-671-11	s	METAL, CHIP 6.8K 0.5% 1/10W
R613	*5 1-216-661-11	s	METAL, CHIP 2.7K 0.5% 1/10W
R614	*5 1-216-663-11	s	METAL, CHIP 3.3K 0.5% 1/10W
R615	1-216-657-11	s	METAL, CHIP 1.8K 0.5% 1/10W
R616	1-208-784-11	s	METAL, CHIP 1.2K 0.5% 1/10W
R617	1-216-657-11	s	METAL, CHIP 1.8K 0.5% 1/10W
R618	*7 1-216-651-11	s	METAL, CHIP 1.0K 0.5% 1/10W
	*2 1-216-659-11	s	METAL, CHIP 2.2K 0.5% 1/10W
R619	*7 1-216-617-11	s	METAL, CHIP 39 0.5% 1/10W (2125)
	*2 1-216-631-11	s	METAL, CHIP 150 0.5% 1/10W
R620-622	1-216-631-11	s	METAL, CHIP 150 0.5% 1/10W (2125)
R623	*7 1-216-603-11	s	METAL, CHIP 10 0.5% 1/10W (2125)
	*2 1-216-607-11	s	METAL, CHIP 15 0.5% 1/10W (2125)
R624	*7 1-216-613-11	s	METAL, CHIP 27 0.5% 1/10W (2125)
	*3 1-216-608-11	s	METAL, CHIP 16 0.5% 1/10W (2125)
	*1 1-216-623-11	s	METAL, CHIP 68 0.5% 1/10W (2125)
	(*1)1-216-611-11	s	METAL, CHIP 22 0.5% 1/10W (2125)
R625	*7 1-216-661-11	s	METAL, CHIP 2.7K 0.5% 1/10W
	*2 1-208-789-11	s	METAL, CHIP 2.0K 0.5% 1/10W
R626	*7 1-216-049-00	s	METAL, CHIP 1.0K 5% 1/10W (2125)
	*2 1-216-647-11	s	METAL, CHIP 680 0.5% 1/10W (2125)

Ref. No. or Q'ty	Part No.	SP	Description
R627	*7 1-216-666-11	s	METAL, CHIP 4.3K 0.5% 1/10W (2125)
	*2 1-216-647-11	s	METAL, CHIP 680 0.5% 1/10W (2125)
R628	*7 1-208-801-11	s	METAL, CHIP 6.2K 0.5% 1/10W (2125)
	*2 1-216-667-11	s	METAL, CHIP 4.7K 0.5% 1/10W (2125)
R629	*4 1-216-685-11	s	METAL, CHIP 27K 0.5% 1/10W (2125)
	*1 1-216-689-11	s	METAL, CHIP 39K 0.5% 1/10W (2125)
R630	*7 1-216-625-11	s	METAL, CHIP 82 0.5% 1/10W (2125)
	*2 1-216-675-11	s	METAL, CHIP 10K 0.5% 1/10W (2125)
R631	*7 1-216-295-00	s	METAL, CHIP 0 (2125)
	*2 1-216-057-00	s	METAL, CHIP 2.2K 5% 1/10W (2125)
R632	*7 1-216-651-11	s	METAL, CHIP 1.0K 0.5% 1/10W (2125)
	*2 1-216-659-11	s	METAL, CHIP 2.2K 0.5% 1/10W (2125)
R633	*7 1-216-617-11	s	METAL, CHIP 39 0.5% 1/10W (2125)
	*2 1-216-631-11	s	METAL, CHIP 150 0.5% 1/10W (2125)
R634-636	1-216-631-11	s	METAL, CHIP 150 0.5% 1/10W (2125)
R637	*7 1-216-603-11	s	METAL, CHIP 10 0.5% 1/10W (2125)
	*2 1-216-607-11	s	METAL, CHIP 15 0.5% 1/10W (2125)
R638	*7 1-216-049-00	s	METAL, CHIP 1.0K 5% 1/10W (2125)
	*2 1-216-635-11	s	METAL, CHIP 220 0.5% 1/10W (2125)
R639	*7 1-208-789-11	s	METAL, CHIP 2.0K 0.5% 1/10W (2125)
	*2 1-216-661-11	s	METAL, CHIP 2.7K 0.5% 1/10W (2125)
R640	*7 1-208-801-11	s	METAL, CHIP 6.2K 0.5% 1/10W (2125)
	*2 1-216-647-11	s	METAL, CHIP 680 0.5% 1/10W (2125)
R641	*7 1-216-666-11	s	METAL, CHIP 4.3K 0.5% 1/10W (2125)
	*2 1-216-647-11	s	METAL, CHIP 680 0.5% 1/10W (2125)
R642	*4 1-216-679-11	s	METAL, CHIP 15K 0.5% 1/10W (2125)
R643-645			
	*7 1-216-133-00	s	METAL, CHIP 3.3M 5% 1/10W (2125)
	*2 1-216-113-00	s	METAL, CHIP 470K 5% 1/10W (2125)
R646	1-216-049-00	s	METAL, CHIP 1.0K 5% 1/10W (2125)
R647-649			
	*7 1-216-069-00	s	METAL, CHIP 6.8K 5% 1/10W (2125)
	*2 1-216-049-00	s	METAL, CHIP 1.0K 5% 1/10W (2125)
R650	1-216-049-00	s	METAL, CHIP 1.0K 5% 1/10W (2125)
R651	1-216-049-00	s	METAL, CHIP 1.0K 5% 1/10W (2125)
R652	*7 1-216-049-00	s	METAL, CHIP 1.0K 5% 1/10W (2125)
	*1 1-216-049-00	s	METAL, CHIP 1.0K 5% 1/10W (2125)
R652A	*3 1-214-557-00	s	METAL 1.0K 1% 1/8W
R653	1-216-049-00	s	METAL, CHIP 1.0K 5% 1/10W (2125)
R654	1-216-049-00	s	METAL, CHIP 1.0K 5% 1/10W (2125)
R655	*7 1-216-625-11	s	METAL, CHIP 82 0.5% 1/10W (2125)
	*2 1-216-667-11	s	METAL, CHIP 4.7K 0.5% 1/10W (2125)
R656	*7 1-216-295-00	s	METAL, CHIP 0 (2125)
	*2 1-216-675-11	s	METAL, CHIP 10K 0.5% 1/10W (2125)
R657	*2 1-216-057-00	s	METAL, CHIP 2.2K 5% 1/10W (2125)
R658	*7 1-216-651-11	s	METAL, CHIP 1.0K 0.5% 1/10W (2125)
	*2 1-216-659-11	s	METAL, CHIP 2.2K 0.5% 1/10W (2125)
R659	*7 1-216-617-11	s	METAL, CHIP 39 0.5% 1/10W (2125)
	*2 1-216-631-11	s	METAL, CHIP 150 0.5% 1/10W (2125)

-----  
 \*1: Board No. suffix 11 only  
 \*2: Board No. suffix 11 or 12  
 \*3: Board No. suffix 12 only  
 \*4: Board No. suffix 12 or higher

-----  
 \*5: Board No. suffix 11, 12, or 13  
 \*7: Board No. suffix 13 or higher  
 \*c: Board No. suffix 14 or higher  
 (\*?): Some mounted circuit boards within specified “\*?”

(VPR-1 BOARD for DVW-A500P, suffix 11 through 17)

Ref. No. or Q'ty	Part No.	SP	Description
R660	1-216-631-11	s	METAL, CHIP 150 0.5% 1/10W (2125)
R661-663	1-216-017-00	s	METAL, CHIP 47 5% 1/10W (2125)
R664	*7 1-216-619-11	s	METAL, CHIP 47 0.5% 1/10W (2125)
	*3 1-216-295-00	s	METAL, CHIP 0 (2125)
	*1 1-216-615-11	s	METAL, CHIP 33 0.5% 1/10W (2125)
R665	*7 1-216-619-11	s	METAL, CHIP 47 0.5% 1/10W (2125)
	*2 1-216-615-11	s	METAL, CHIP 33 0.5% 1/10W (2125)
R666	*7 1-216-619-11	s	METAL, CHIP 47 0.5% 1/10W (2125)
	*2 1-216-615-11	s	METAL, CHIP 33 0.5% 1/10W (2125)
R667	*7 1-208-784-11	s	METAL, CHIP 1.2K 0.5% 1/10W
	*2 1-216-659-11	s	METAL, CHIP 2.2K 0.5% 1/10W
R668	*7 1-208-784-11	s	METAL, CHIP 1.2K 0.5% 1/10W
	*2 1-216-661-11	s	METAL, CHIP 2.7K 0.5% 1/10W
R669	*c 1-216-651-11	s	METAL, CHIP 1.0K 0.5% 1/10W
	*5 1-216-659-11	s	METAL, CHIP 2.2K 0.5% 1/10W
R670	*5 1-216-661-11	s	METAL, CHIP 2.7K 0.5% 1/10W
R671	*7 1-216-689-11	s	METAL, CHIP 39K 0.5% 1/10W
	*2 1-216-661-11	s	METAL, CHIP 2.7K 0.5% 1/10W
R672	*5 1-216-661-11	s	METAL, CHIP 2.7K 0.5% 1/10W
R673	*c 1-216-073-00	s	METAL, CHIP 10K 5% 1/10W (2125)
	*6 1-218-772-11	s	METAL, CHIP 680K 0.5% 1/10W
	*2 1-216-671-11	s	METAL, CHIP 6.8K 0.5% 1/10W
R674	*c 1-216-073-00	s	METAL, CHIP 10K 5% 1/10W (2125)
	*6 1-218-772-11	s	METAL, CHIP 680K 0.5% 1/10W
	*2 1-216-671-11	s	METAL, CHIP 6.8K 0.5% 1/10W
R675	*6 1-218-764-11	s	METAL, CHIP 330K 0.5% 1/10W
	*2 1-216-663-11	s	METAL, CHIP 3.3K 0.5% 1/10W
R676	*6 1-218-764-11	s	METAL, CHIP 330K 0.5% 1/10W
	*2 1-216-663-11	s	METAL, CHIP 3.3K 0.5% 1/10W
R677	1-216-665-11	s	METAL, CHIP 3.9K 0.5% 1/10W
R678-681	1-208-784-11	s	METAL, CHIP 1.2K 0.5% 1/10W
R682	1-216-631-11	s	METAL, CHIP 150 0.5% 1/10W (2125)
R683	1-216-631-11	s	METAL, CHIP 150 0.5% 1/10W (2125)
R684	*7 1-216-603-11	s	METAL, CHIP 10 0.5% 1/10W (2125)
	*2 1-216-607-11	s	METAL, CHIP 15 0.5% 1/10W (2125)
R685	*7 1-216-049-00	s	METAL, CHIP 1.0K 5% 1/10W (2125)
	*2 1-216-635-11	s	METAL, CHIP 220 0.5% 1/10W (2125)
R686	*7 1-208-789-11	s	METAL, CHIP 2.0K 0.5% 1/10W
	*2 1-216-661-11	s	METAL, CHIP 2.7K 0.5% 1/10W
R687	*7 1-208-801-11	s	METAL, CHIP 6.2K 0.5% 1/10W
	*2 1-216-647-11	s	METAL, CHIP 680 0.5% 1/10W (2125)
R688	*7 1-216-666-11	s	METAL, CHIP 4.3K 0.5% 1/10W
	*2 1-216-647-11	s	METAL, CHIP 680 0.5% 1/10W (2125)
R689	*7 1-216-625-11	s	METAL, CHIP 82 0.5% 1/10W (2125)
	*2 1-216-667-11	s	METAL, CHIP 4.7K 0.5% 1/10W
R690	*7 1-216-295-00	s	METAL, CHIP 0 (2125)
	*2 1-216-675-11	s	METAL, CHIP 10K 0.5% 1/10W
R691	*2 1-216-057-00	s	METAL, CHIP 2.2K 5% 1/10W (2125)
R692	*7 1-216-651-11	s	METAL, CHIP 1.0K 0.5% 1/10W
	*2 1-216-659-11	s	METAL, CHIP 2.2K 0.5% 1/10W

-----  
 \*1: Board No. suffix 11 only  
 \*2: Board No. suffix 11 or 12  
 \*3: Board No. suffix 12 only  
 \*5: Board No. suffix 11, 12, or 13

(VPR-1 BOARD for DVW-A500P, suffix 11 through 17)

Ref. No. or Q'ty	Part No.	SP	Description
R693	*7 1-216-617-11	s	METAL, CHIP 39 0.5% 1/10W (2125)
	*2 1-216-631-11	s	METAL, CHIP 150 0.5% 1/10W (2125)
R694-696	1-216-631-11	s	METAL, CHIP 150 0.5% 1/10W (2125)
R697	*7 1-216-603-11	s	METAL, CHIP 10 0.5% 1/10W (2125)
	*2 1-216-607-11	s	METAL, CHIP 15 0.5% 1/10W (2125)
R698	*7 1-216-613-11	s	METAL, CHIP 27 0.5% 1/10W (2125)
	*3 1-216-608-11	s	METAL, CHIP 16 0.5% 1/10W (2125)
	*1 1-216-623-11	s	METAL, CHIP 68 0.5% 1/10W (2125)
R699	*7 1-216-661-11	s	METAL, CHIP 2.7K 0.5% 1/10W (2125)
	*2 1-208-789-11	s	METAL, CHIP 2.0K 0.5% 1/10W (2125)
R700	*7 1-216-049-00	s	METAL, CHIP 1.0K 5% 1/10W (2125)
	*2 1-216-647-11	s	METAL, CHIP 680 0.5% 1/10W (2125)
R701	*7 1-208-801-11	s	METAL, CHIP 6.2K 0.5% 1/10W (2125)
	*2 1-216-647-11	s	METAL, CHIP 680 0.5% 1/10W (2125)
R702	*7 1-216-666-11	s	METAL, CHIP 4.3K 0.5% 1/10W (2125)
	*2 1-216-667-11	s	METAL, CHIP 4.7K 0.5% 1/10W (2125)
R703	*7 1-216-619-11	s	METAL, CHIP 47 0.5% 1/10W (2125)
	*2 1-216-675-11	s	METAL, CHIP 10K 0.5% 1/10W (2125)
R704	1-216-635-11	s	METAL, CHIP 220 0.5% 1/10W (2125)
R705,706	*7 1-216-133-00	s	METAL, CHIP 3.3M 5% 1/10W (2125)
	*2 1-216-113-00	s	METAL, CHIP 470K 5% 1/10W (2125)
R707	*7 1-216-616-11	s	METAL, CHIP 36 0.5% 1/10W (2125)
	*2 1-216-057-00	s	METAL, CHIP 2.2K 5% 1/10W (2125)
R708	1-216-049-00	s	METAL, CHIP 1.0K 5% 1/10W (2125)
R709,709	*7 1-216-069-00	s	METAL, CHIP 6.8K 5% 1/10W (2125)
	*2 1-216-049-00	s	METAL, CHIP 1.0K 5% 1/10W (2125)
R711	1-216-049-00	s	METAL, CHIP 1.0K 5% 1/10W (2125)
R712	1-216-065-00	s	METAL, CHIP 4.7K 5% 1/10W (2125)
R713	1-216-025-00	s	METAL, CHIP 100 5% 1/10W (2125)
R714	1-208-784-11	s	METAL, CHIP 1.2K 0.5% 1/10W (2125)
R715	1-216-667-11	s	METAL, CHIP 4.7K 0.5% 1/10W (2125)
R716	1-216-049-00	s	METAL, CHIP 1.0K 5% 1/10W (2125)
R717	1-216-651-11	s	METAL, CHIP 1.0K 0.5% 1/10W (2125)
R718	*7 1-216-049-00	s	METAL, CHIP 1.0K 5% 1/10W (2125)
	*1 1-216-049-00	s	METAL, CHIP 1.0K 5% 1/10W (2125)
R718A	*3 1-214-557-00	s	METAL 1.0K 1% 1/8W
R719	*7 1-216-651-11	s	METAL, CHIP 1.0K 0.5% 1/10W (2125)
	*2 1-216-659-11	s	METAL, CHIP 2.2K 0.5% 1/10W (2125)
R720	*7 1-216-617-11	s	METAL, CHIP 39 0.5% 1/10W (2125)
	*2 1-216-631-11	s	METAL, CHIP 150 0.5% 1/10W (2125)
R721	1-216-663-11	s	METAL, CHIP 3.3K 0.5% 1/10W (2125)
R722	1-216-049-00	s	METAL, CHIP 1.0K 5% 1/10W (2125)
R723	1-216-017-00	s	METAL, CHIP 47 5% 1/10W (2125)
R724	*7 1-216-619-11	s	METAL, CHIP 47 0.5% 1/10W (2125)
	*3 1-216-295-00	s	METAL, CHIP 0 (2125)
	*1 1-216-615-11	s	METAL, CHIP 33 0.5% 1/10W (2125)
R725	1-216-049-00	s	METAL, CHIP 1.0K 5% 1/10W (2125)
R726	1-216-049-00	s	METAL, CHIP 1.0K 5% 1/10W (2125)
R727	1-216-631-11	s	METAL, CHIP 150 0.5% 1/10W (2125)

-----  
 \*6: Board No. suffix 13 only  
 \*7: Board No. suffix 13 or higher  
 \*c: Board No. suffix 14 or higher

(VPR-1 BOARD for DVW-A500P, suffix 11 through 17)

(VPR-1 BOARD for DVW-A500P, suffix 11 through 17)

Ref. No. or Q'ty	Part No.	SP Description
R728	*7 1-216-650-11	s METAL, CHIP 910 0.5% 1/10W (2125)
	*2 1-216-635-11	s METAL, CHIP 220 0.5% 1/10W (2125)
R729	1-216-049-00	s METAL, CHIP 1.0K 5% 1/10W (2125)
R730	1-216-049-00	s METAL, CHIP 1.0K 5% 1/10W (2125)
R731	1-216-081-00	s METAL, CHIP 22K 5% 1/10W (2125)
R732	*7 1-216-017-00	s METAL, CHIP 47 5% 1/10W (2125)
	*3 1-216-619-11	s METAL, CHIP 47 0.5% 1/10W (2125)
	*1 1-216-017-00	s METAL, CHIP 47 5% 1/10W (2125)
R733	*7 1-216-619-11	s METAL, CHIP 47 0.5% 1/10W (2125)
	*3 1-216-295-00	s METAL, CHIP 0 (2125)
	*1 1-216-615-11	s METAL, CHIP 33 0.5% 1/10W (2125)
R734	1-216-081-00	s METAL, CHIP 22K 5% 1/10W (2125)
R735-740	1-216-025-00	s METAL, CHIP 100 5% 1/10W (2125)
R741	1-216-049-00	s METAL, CHIP 1.0K 5% 1/10W (2125)
R742	1-216-049-00	s METAL, CHIP 1.0K 5% 1/10W (2125)
R743	1-216-631-11	s METAL, CHIP 150 0.5% 1/10W (2125)
R744	1-216-631-11	s METAL, CHIP 150 0.5% 1/10W (2125)
R745	*7 1-216-603-11	s METAL, CHIP 10 0.5% 1/10W (2125)
	*2 1-216-607-11	s METAL, CHIP 15 0.5% 1/10W (2125)
R746	*7 1-216-613-11	s METAL, CHIP 27 0.5% 1/10W (2125)
	*3 1-216-627-11	s METAL, CHIP 100 0.5% 1/10W (2125)
	*1 1-216-623-11	s METAL, CHIP 68 0.5% 1/10W (2125)
R747	*7 1-216-661-11	s METAL, CHIP 2.7K 0.5% 1/10W
	*2 1-208-789-11	s METAL, CHIP 2.0K 0.5% 1/10W
R748	*7 1-216-666-11	s METAL, CHIP 4.3K 0.5% 1/10W
	*2 1-216-647-11	s METAL, CHIP 680 0.5% 1/10W (2125)
R749	*7 1-208-801-11	s METAL, CHIP 6.2K 0.5% 1/10W
	*2 1-216-647-11	s METAL, CHIP 680 0.5% 1/10W (2125)
R750	1-216-065-00	s METAL, CHIP 4.7K 5% 1/10W (2125)
R751	1-216-073-00	s METAL, CHIP 10K 5% 1/10W (2125)
R752	1-216-097-00	s METAL, CHIP 100K 5% 1/10W (2125)
R753	1-216-073-00	s METAL, CHIP 10K 5% 1/10W (2125)
R754	1-216-097-00	s METAL, CHIP 100K 5% 1/10W (2125)
R755	1-216-049-00	s METAL, CHIP 1.0K 5% 1/10W (2125)
R756	*7 1-216-049-00	s METAL, CHIP 1.0K 5% 1/10W (2125)
	*2 1-216-635-11	s METAL, CHIP 220 0.5% 1/10W
R757-759	1-216-073-00	s METAL, CHIP 10K 5% 1/10W (2125)
R760	1-216-097-00	s METAL, CHIP 100K 5% 1/10W (2125)
R761	1-216-073-00	s METAL, CHIP 10K 5% 1/10W (2125)
R762	1-216-073-00	s METAL, CHIP 10K 5% 1/10W (2125)
R763	1-216-049-00	s METAL, CHIP 1.0K 5% 1/10W (2125)
R765	1-216-049-00	s METAL, CHIP 1.0K 5% 1/10W (2125)
R766	1-216-049-00	s METAL, CHIP 1.0K 5% 1/10W (2125)
R767	*7 1-216-619-11	s METAL, CHIP 47 0.5% 1/10W (2125)
	*2 1-216-667-11	s METAL, CHIP 4.7K 0.5% 1/10W
R768	*7 1-216-616-11	s METAL, CHIP 36 0.5% 1/10W (2125)
	*2 1-216-675-11	s METAL, CHIP 10K 0.5% 1/10W
R769	*7 1-216-650-11	s METAL, CHIP 910 0.5% 1/10W (2125)
	*2 1-216-057-00	s METAL, CHIP 2.2K 5% 1/10W (2125)
R770	1-216-635-11	s METAL, CHIP 220 0.5% 1/10W (2125)
R771-774	1-216-049-00	s METAL, CHIP 1.0K 5% 1/10W (2125)
R776	1-216-073-00	s METAL, CHIP 10K 5% 1/10W (2125)

Ref. No. or Q'ty	Part No.	SP Description
R777	1-216-049-00	s METAL, CHIP 1.0K 5% 1/10W (2125)
R778	1-216-049-00	s METAL, CHIP 1.0K 5% 1/10W (2125)
R779-781	1-216-073-00	s METAL, CHIP 10K 5% 1/10W (2125)
R782	*0 1-216-097-00	s METAL, CHIP 100K 5% 1/10W (2125)
	*8 1-216-073-00	s METAL, CHIP 10K 5% 1/10W (2125)
R783-790	1-216-025-00	s METAL, CHIP 100 5% 1/10W (2125)
R791	1-216-041-00	s METAL, CHIP 470 5% 1/10W (2125)
R792-795	1-216-025-00	s METAL, CHIP 100 5% 1/10W (2125)
R797	1-216-295-00	s METAL, CHIP 0 (2125)
R798-801	1-216-049-00	s METAL, CHIP 1.0K 5% 1/10W (2125)
R802	1-216-017-00	s METAL, CHIP 47 5% 1/10W (2125)
R804	1-216-049-00	s METAL, CHIP 1.0K 5% 1/10W (2125)
R805	1-216-675-11	s METAL, CHIP 10K 0.5% 1/10W (2125)
R806	1-216-675-11	s METAL, CHIP 10K 0.5% 1/10W (2125)
R807	1-216-639-11	s METAL, CHIP 330 0.5% 1/10W (2125)
R808	1-208-784-11	s METAL, CHIP 1.2K 0.5% 1/10W (2125)
R810	*4 1-216-295-00	s METAL, CHIP 0 (2125)
R811	*7 1-216-295-00	s METAL, CHIP 0 (2125)
	(*k)1-216-295-00	s METAL, CHIP 0 (2125)
R890	*1 1-216-089-00	s METAL, CHIP 47K 5% 1/10W
R934-937	1-216-025-00	s METAL, CHIP 100 5% 1/10W (2125)
R940-949		
	*c 1-216-679-11	s METAL, CHIP 15K 0.5% 1/10W (2125)
R950	1-216-025-00	s METAL, CHIP 100 5% 1/10W (2125)
R963	1-216-025-00	s METAL, CHIP 100 5% 1/10W (2125)
R976	1-216-025-00	s METAL, CHIP 100 5% 1/10W (2125)
R978	1-216-295-00	s METAL, CHIP 0 (2125)
R1000	1-216-033-00	s METAL, CHIP 220 5% 1/10W (2125)
R1001	*7 1-216-133-00	s METAL, CHIP 3.3M 5% 1/10W (2125)
	*3 1-216-073-00	s METAL, CHIP 10K 5% 1/10W (2125)
R1002	*7 1-216-133-00	s METAL, CHIP 3.3M 5% 1/10W (2125)
	*3 1-216-121-00	s METAL, CHIP 1.0M 5% 1/10W (2125)
R1003	*3 1-216-061-00	s METAL, CHIP 3.3K 5% 1/10W (2125)
R1004	*4 1-216-049-00	s METAL, CHIP 1.0K 5% 1/10W (2125)
R1005	*4 1-216-049-00	s METAL, CHIP 1.0K 5% 1/10W (2125)
R1006	1-216-651-11	s METAL, CHIP 1.0K 0.5% 1/10W (2125)
R1007	*4 1-216-073-00	s METAL, CHIP 10K 5% 1/10W (2125)
R1008	1-216-049-00	s METAL, CHIP 1.0K 5% 1/10W (2125)
R1009	1-216-017-00	s METAL, CHIP 47 5% 1/10W (2125)
R1010	*7 1-216-097-00	s METAL, CHIP 100K 5% 1/10W (2125)
	*3 1-216-049-00	s METAL, CHIP 1.0K 5% 1/10W (2125)
R1011	*4 1-216-121-00	s METAL, CHIP 1.0M 5% 1/10W (2125)
	*1 1-247-903-00	s CARBON 1.0M 5% 1/4W
R1012	1-216-649-11	s METAL, CHIP 820 0.5% 1/10W (2125)
R1013	1-216-295-00	s METAL, CHIP 0 (2125)
R1015	1-216-049-00	s METAL, CHIP 1.0K 5% 1/10W (2125)
R1016	1-216-049-00	s METAL, CHIP 1.0K 5% 1/10W (2125)
R1017	1-216-295-00	s METAL, CHIP 0 (2125)
R1019	1-216-057-00	s METAL, CHIP 2.2K 5% 1/10W (2125)
R1020	1-216-073-00	s METAL, CHIP 10K 5% 1/10W (2125)
R1021	1-216-057-00	s METAL, CHIP 2.2K 5% 1/10W (2125)
R1022	1-216-051-00	s METAL, CHIP 1.2K 5% 1/10W (2125)
R1024	1-216-073-00	s METAL, CHIP 10K 5% 1/10W (2125)
R1025	1-216-651-11	s METAL, CHIP 1.0K 0.5% 1/10W (2125)

\*1: Board No. suffix 11 only  
 \*2: Board No. suffix 11 or 12  
 \*3: Board No. suffix 12 only  
 \*4: Board No. suffix 12 or higher  
 \*7: Board No. suffix 13 or higher  
 \*8: Board No. suffix 11 through 14

\*c: Board No. suffix 14 or higher  
 \*k: LOT No. 306 or 307  
 \*l: Board No. suffix 16 or higher  
 \*o: Board No. suffix 15 only  
 (\*?): Some mounted circuit boards within specified “\*?”

(VPR-1 BOARD for DVW-A500P, suffix 11 through 17)

(VPR-1 BOARD for DVW-A500P, suffix 11 through 17)

Ref. No. or Q'ty	Part No.	SP	Description
R1027 *4	1-216-121-00	s	METAL, CHIP 1.0M 5% 1/10W (2125)
R1028	1-216-651-11	s	METAL, CHIP 1.0K 0.5% 1/10W
R1029	1-216-661-11	s	METAL, CHIP 2.7K 0.5% 1/10W
R1030	1-216-635-11	s	METAL, CHIP 220 0.5% 1/10W (2125)
R1031 *7	1-216-057-00	s	METAL, CHIP 2.2K 5% 1/10W (2125)
	*2 1-216-659-11	s	METAL, CHIP 2.2K 0.5% 1/10W
R1032	1-216-675-11	s	METAL, CHIP 10K 0.5% 1/10W (2125)
R1033	1-216-651-11	s	METAL, CHIP 1.0K 0.5% 1/10W
R1034	1-216-025-00	s	METAL, CHIP 100 5% 1/10W (2125)
R1035	1-216-675-11	s	METAL, CHIP 10K 0.5% 1/10W (2125)
R1036 *4	1-216-689-11	s	METAL, CHIP 39K 0.5% 1/10W
R1037 *4	1-216-677-11	s	METAL, CHIP 12K 0.5% 1/10W (2125)
R1038 *4	1-216-651-11	s	METAL, CHIP 1.0K 0.5% 1/10W
	*1 1-215-421-00	s	METAL 1.0K 1% 1/6W
R1039 *g	1-216-083-00	s	EETAL, CHIP 27K 5% 1/10W (2125)
	*f 1-216-081-00	s	METAL, CHIP 22K 5% 1/10W (2125)
R1040	1-216-049-00	s	METAL, CHIP 1.0K 5% 1/10W (2125)
R1041	1-216-651-11	s	METAL, CHIP 1.0K 0.5% 1/10W
R1042	1-216-651-11	s	METAL, CHIP 1.0K 0.5% 1/10W
R1043	1-216-121-00	s	METAL, CHIP 1.0M 5% 1/10W (2125)
R1044	1-216-651-11	s	METAL, CHIP 1.0K 0.5% 1/10W
R1045	1-216-089-00	s	METAL, CHIP 47K 5% 1/10W (2125)
R1046 *g	1-216-093-00	s	METAL, CHIP 68K 5% 1/10W (2125)
	*f 1-216-085-00	s	METAL, CHIP 33K 5% 1/10W (2125)
R1047	1-216-651-11	s	METAL, CHIP 1.0K 0.5% 1/10W
R1048	1-216-049-00	s	METAL, CHIP 1.0K 5% 1/10W (2125)
R1049	1-216-651-11	s	METAL, CHIP 1.0K 0.5% 1/10W
R1050	1-216-651-11	s	METAL, CHIP 1.0K 0.5% 1/10W
R1051 *4	1-216-121-00	s	METAL, CHIP 1.0M 5% 1/10W (2125)
R1052	1-216-081-00	s	METAL, CHIP 22K 5% 1/10W (2125)
R1053	1-216-295-00	s	METAL, CHIP 0 (2125)
R1055	1-216-661-11	s	METAL, CHIP 2.7K 0.5% 1/10W
R1056	1-216-675-11	s	METAL, CHIP 10K 0.5% 1/10W
R1057	1-216-651-11	s	METAL, CHIP 1.0K 0.5% 1/10W
R1058	1-216-025-00	s	METAL, CHIP 100 5% 1/10W (2125)
R1059	1-216-025-00	s	METAL, CHIP 100 5% 1/10W (2125)
R1060	1-216-025-00	s	METAL, CHIP 100 5% 1/10W (2125)
R1062	1-216-025-00	s	METAL, CHIP 100 5% 1/10W (2125)
R1063	1-216-025-00	s	METAL, CHIP 100 5% 1/10W (2125)
R1064	1-216-069-00	s	METAL, CHIP 6.8K 5% 1/10W (2125)
R1065	1-216-073-00	s	METAL, CHIP 10K 5% 1/10W (2125)
R1066	1-216-663-11	s	METAL, CHIP 3.3K 0.5% 1/10W
R1067 *7	1-216-097-00	s	METAL, CHIP 100K 5% 1/10W (2125)
R1068 *7	1-216-049-00	s	METAL, CHIP 1.0K 5% 1/10W (2125)
R1072 *4	1-216-295-00	s	METAL, CHIP 0 (2125)
	*1 1-216-073-00	s	METAL, CHIP 10K 5% 1/10W (2125)
R1073	1-216-073-00	s	METAL, CHIP 10K 5% 1/10W (2125)
R1074	1-216-041-00	s	METAL, CHIP 470 5% 1/10W (2125)
R1077	1-208-814-11	s	METAL, CHIP 22K 0.5% 1/10W (2125)
R1078	1-216-057-00	s	METAL, CHIP 2.2K 5% 1/10W (2125)
R1079	1-208-814-11	s	METAL, CHIP 22K 0.5% 1/10W (2125)
R1080	1-216-295-00	s	METAL, CHIP 0 (2125)
R1081	1-216-697-11	s	METAL, CHIP 82K 0.5% 1/10W (2125)
R1082	1-216-667-11	s	METAL, CHIP 4.7K 0.5% 1/10W
R1083	1-216-651-11	s	METAL, CHIP 1.0K 0.5% 1/10W

Ref. No. or Q'ty	Part No.	SP	Description
R1084	1-216-073-00	s	METAL, CHIP 10K 5% 1/10W (2125)
R1085	1-216-081-00	s	METAL, CHIP 22K 5% 1/10W (2125)
R1086	1-216-073-00	s	METAL, CHIP 10K 5% 1/10W (2125)
R1087	1-216-017-00	s	METAL, CHIP 47 5% 1/10W (2125)
R1088	1-216-667-11	s	METAL, CHIP 4.7K 0.5% 1/10W (2125)
R1089	1-216-017-00	s	METAL, CHIP 47 5% 1/10W (2125)
R1090	1-216-085-00	s	METAL, CHIP 33K 5% 1/10W (2125)
R1091	1-216-073-00	s	METAL, CHIP 10K 5% 1/10W (2125)
R1092	1-216-085-00	s	METAL, CHIP 33K 5% 1/10W (2125)
R1093	1-216-665-11	s	METAL, CHIP 3.9K 0.5% 1/10W (2125)
R1094	1-216-663-11	s	METAL, CHIP 3.3K 0.5% 1/10W (2125)
R1095	1-216-671-11	s	METAL, CHIP 6.8K 0.5% 1/10W (2125)
R1096	1-216-097-00	s	METAL, CHIP 100K 5% 1/10W (2125)
R1097	1-216-097-00	s	METAL, CHIP 100K 5% 1/10W (2125)
R1098	1-216-097-00	s	METAL, CHIP 100K 5% 1/10W (2125)
R1099	1-216-073-00	s	METAL, CHIP 10K 5% 1/10W (2125)
R1100	1-216-073-00	s	METAL, CHIP 10K 5% 1/10W (2125)
R1101	1-216-097-00	s	METAL, CHIP 100K 5% 1/10W (2125)
R1102	1-208-774-11	s	METAL, CHIP 470 0.5% 1/10W (2125)
R1103	1-208-774-11	s	METAL, CHIP 470 0.5% 1/10W (2125)
R1104	1-216-073-00	s	METAL, CHIP 10K 5% 1/10W (2125)
R1105	1-216-685-11	s	METAL, CHIP 27K 0.5% 1/10W (2125)
R1106	1-216-675-11	s	METAL, CHIP 10K 0.5% 1/10W (2125)
R1107	1-216-065-00	s	METAL, CHIP 4.7K 5% 1/10W (2125)
R1108	1-216-073-00	s	METAL, CHIP 10K 5% 1/10W (2125)
R1109 *4	1-216-295-00	s	METAL, CHIP 0 (2125)
R1111 *1	1-216-689-11	s	METAL, CHIP 39K 0.5% 1/10W (2125)
R1112	1-216-065-00	s	METAL, CHIP 4.7K 5% 1/10W (2125)
R1113	1-216-025-00	s	METAL, CHIP 100 5% 1/10W (2125)
R1114	1-216-049-00	s	METAL, CHIP 1.0K 5% 1/10W (2125)
R1115 *4	1-216-689-11	s	METAL, CHIP 39K 0.5% 1/10W (2125)
R1116 *4	1-216-073-00	s	METAL, CHIP 10K 5% 1/10W (2125)
	*1 1-249-429-11	s	CARBON 10K 5% 1/4W
R1117	1-216-665-11	s	METAL, CHIP 3.9K 0.5% 1/10W (2125)
R1118 *a	1-216-065-00	s	METAL, CHIP 4.7K 5% 1/10W (2125)
R1119 *7	1-216-675-11	s	METAL, CHIP 10K 0.5% 1/10W (2125)
R1120	1-216-663-11	s	METAL, CHIP 3.3K 0.5% 1/10W (2125)
R1121	1-216-671-11	s	METAL, CHIP 6.8K 0.5% 1/10W (2125)
R1122 *7	1-216-295-00	s	METAL, CHIP 0 (2125)
R1123	1-208-774-11	s	METAL, CHIP 470 0.5% 1/10W (2125)
R1124	1-208-774-11	s	METAL, CHIP 470 0.5% 1/10W (2125)
R1125 *7	1-216-675-11	s	METAL, CHIP 10K 0.5% 1/10W (2125)
R1126	1-216-685-11	s	METAL, CHIP 27K 0.5% 1/10W (2125)
R1127	1-216-675-11	s	METAL, CHIP 10K 0.5% 1/10W (2125)
R1128	1-216-295-00	s	METAL, CHIP 0 (2125)
R1131 *7	1-216-065-00	s	METAL, CHIP 4.7K 5% 1/10W (2125)
R1132 *7	1-216-049-00	s	METAL, CHIP 1.0K 5% 1/10W (2125)
	*2 1-216-295-00	s	METAL, CHIP 0 (2125)
R1133	1-216-065-00	s	METAL, CHIP 4.7K 5% 1/10W (2125)
R1134	1-216-025-00	s	METAL, CHIP 100 5% 1/10W (2125)
R1135	1-216-025-00	s	METAL, CHIP 100 5% 1/10W (2125)
R1136	1-216-025-00	s	METAL, CHIP 100 5% 1/10W (2125)
R1137	1-208-774-11	s	METAL, CHIP 470 0.5% 1/10W (2125)
R1138	1-208-774-11	s	METAL, CHIP 470 0.5% 1/10W (2125)
R1139	1-208-774-11	s	METAL, CHIP 470 0.5% 1/10W (2125)
R1140	1-216-675-11	s	METAL, CHIP 10K 0.5% 1/10W (2125)

-----  
 \*1: Board No. suffix 11 only  
 \*2: Board No. suffix 11 or 12  
 \*4: Board No. suffix 12 or higher  
 \*7: Board No. suffix 13 or higher

-----  
 \*a: Board No. suffix 13 or 14  
 \*f: LOT No. 302 through 402  
 \*g: LOT No. 403 or higher

(VPR-1 BOARD for DVW-A500P, suffix 11 through 17)

(VPR-1 BOARD for DVW-A500P, suffix 11 through 17)

Ref. No. or Q'ty	Part No.	SP Description
R1142	1-216-025-00	s METAL, CHIP 100 5% 1/10W (2125)
R1144	*7 1-216-073-00	s METAL, CHIP 10K 5% 1/10W (2125)
R1145	*7 1-216-097-00	s METAL, CHIP 100K 5% 1/10W (2125)
	*1 1-216-295-00	s METAL, CHIP 0 (2125)
R1146	*7 1-216-097-00	s METAL, CHIP 100K 5% 1/10W (2125)
	*1 1-216-295-00	s METAL, CHIP 0 (2125)
R1147	*7 1-216-081-00	s METAL, CHIP 22K 5% 1/10W (2125)
	*1 1-216-295-00	s METAL, CHIP 0 (2125)
R1148	1-216-017-00	s METAL, CHIP 47 5% 1/10W (2125)
R1149	*7 1-216-079-00	s METAL, CHIP 18K 5% 1/10W (2125)
R1154	1-216-025-00	s METAL, CHIP 100 5% 1/10W (2125)
R1156	*4 1-218-760-11	s METAL, CHIP 220K 0.5% 1/10W (2125)
R1157	*4 1-208-774-11	s METAL, CHIP 470 0.5% 1/10W
R1159	1-216-025-00	s METAL, CHIP 100 5% 1/10W (2125)
R1160	1-216-057-00	s METAL, CHIP 2.2K 5% 1/10W (2125)
R1161	1-216-025-00	s METAL, CHIP 100 5% 1/10W (2125)
R1162	*7 1-216-659-11	s METAL, CHIP 2.2K 0.5% 1/10W
R1163	*3 1-216-097-00	s METAL, CHIP 100K 5% 1/10W (2125)
R1164	*3 1-216-097-00	s METAL, CHIP 100K 5% 1/10W (2125)
R1165	1-216-025-00	s METAL, CHIP 100 5% 1/10W (2125)
R1166	1-216-073-00	s METAL, CHIP 10K 5% 1/10W (2125)
R1167	1-216-697-11	s METAL, CHIP 82K 0.5% 1/10W (2125)
R1168	1-216-041-00	s METAL, CHIP 470 5% 1/10W (2125)
R1169	1-216-675-11	s METAL, CHIP 10K 0.5% 1/10W (2125)
R1170	1-216-073-00	s METAL, CHIP 10K 5% 1/10W (2125)
R1171	1-216-667-11	s METAL, CHIP 4.7K 0.5% 1/10W
R1172	1-216-685-11	s METAL, CHIP 27K 0.5% 1/10W
R1173	*4 1-216-659-11	s METAL, CHIP 2.2K 0.5% 1/10W
	*1 1-216-057-00	s METAL, CHIP 2.2K 5% 1/10W (2125)
R1174	*j 1-208-803-11	s METAL, CHIP 7.5K 0.5% 1/10W
	*i 1-216-075-00	s METAL, CHIP 12K 5% 1/10W (2125)
	*2 1-216-085-00	s METAL, CHIP 33K 5% 1/10W (2125)
R1175	1-216-678-11	s METAL, CHIP 13K 0.5% 1/10W
R1176	1-216-671-11	s METAL, CHIP 6.8K 0.5% 1/10W
R1177	*4 1-216-689-11	s METAL, CHIP 39K 0.5% 1/10W
	(*3)1-216-659-11	s METAL, CHIP 2.2K 0.5% 1/10W
	*1 1-216-057-00	s METAL, CHIP 2.2K 5% 1/10W (2125)
R1178	*b 1-216-295-00	s METAL, CHIP 0 (2125)
R1179	*a 1-216-295-00	s METAL, CHIP 0 (2125)
R1201-1204	1-216-065-00	s METAL, CHIP 4.7K 5% 1/10W (2125)
R1205	*c 1-216-065-00	s METAL, CHIP 4.7K 5% 1/10W (2125)
R1207	*1 1-216-073-00	s METAL, CHIP 10K 5% 1/10W (2125)
R1210	*d 1-216-695-11	s METAL, CHIP 68K 0.5% 1/10W
R1212	*d 1-216-295-00	s METAL, CHIP 0 (2125)
R1214	*d 1-216-687-11	s METAL, CHIP 33K 0.5% 1/10W
R1215	*d 1-208-824-11	s METAL, CHIP 56K 0.5% 1/10W
R1217	*d 1-216-295-00	s METAL, CHIP 0 (2125)
R1221	*d 1-216-675-11	s METAL, CHIP 10K 0.5% 1/10W
R1222	*d 1-216-675-11	s METAL, CHIP 10K 0.5% 1/10W
R1223	*d 1-216-675-11	s METAL, CHIP 10K 0.5% 1/10W
R1224	*d 1-216-662-11	s METAL, CHIP 3.0K 0.5% 1/10W
R1225	*d 1-216-675-11	s METAL, CHIP 10K 0.5% 1/10W
R1226	*d 1-216-073-00	s METAL, CHIP 10K 5% 1/10W (2125)
R1227	*d 1-216-295-00	s METAL, CHIP 0 (2125)

Ref. No. or Q'ty	Part No.	SP Description
R1228	*d 1-216-295-00	s METAL, CHIP 0 (2125)
R1229	*d 1-216-097-00	s METAL, CHIP 100K 5% 1/10W (2125)
R1230	*d 1-216-097-00	s METAL, CHIP 100K 5% 1/10W (2125)
R1231	*d 1-216-097-00	s METAL, CHIP 100K 5% 1/10W (2125)
R1233	*d 1-216-295-00	s METAL, CHIP 0 (2125)
R1662	*7 1-216-097-00	s METAL, CHIP 100K 5% 1/10W (2125)
R8400	*3 1-218-659-11	s METAL, CHIP 43 0.5% 1/16W (1608)
R8401	*3 1-218-659-11	s METAL, CHIP 43 0.5% 1/16W (1608)
RB300-303	1-239-628-11	s RES, NETWORK, CHIP 220x8
RB304-317	1-239-412-11	s RES, NETWORK, CHIP 100x4
RB318-321	1-239-711-11	s RES, NETWORK, CHIP 0x4
RB326	1-239-412-11	s RES, NETWORK, CHIP 100x4
RB327	1-239-412-11	s RES, NETWORK, CHIP 100x4
RB328	1-239-412-11	s RES, NETWORK, CHIP 100x4
RB329	*4 1-239-711-11	s RES, NETWORK, CHIP 0x4
RB330	*c 1-239-412-11	s RES, NETWORK, CHIP 100x4
RB500-503	1-239-628-11	s RES, NETWORK, CHIP 220x8
RB504	1-239-306-11	s RESISTOR BLOCK, CHIP 10Kx8
RB505-513	1-239-412-11	s RES, NETWORK, CHIP 100x4

\*1: Board No. suffix 11 only  
 \*2: Board No. suffix 11 or 12  
 \*3: Board No. suffix 12 only  
 \*4: Board No. suffix 12 or higher  
 \*7: Board No. suffix 13 or higher  
 \*a: Board No. suffix 13 or 14

\*b: Board No. suffix 14 only  
 \*c: Board No. suffix 14 or higher  
 \*d: Board No. suffix 15 or higher  
 \*i: LOT No. 401 through 408  
 \*j: LOT No. 409 or higher  
 (\*?): Some mounted circuit boards within specified "\*?"



-----  
 VPR-1 BOARD for DVW-500P, suffix 11 through 17  
 -----

Ref. No. or Q'ty	Part No.	SP	Description
1pc	A-8275-140-B	o	MOUNTED CIRCUIT BOARD, VPR-1P (For Europa model)
1pc	A-8310-425-A	o	MOUNTED CIRCUIT BOARD, VPR-1PG (For USA and Canada models)
1pc	3-171-453-03	o	PLATE (L), SHIELD, CARD
1pc	3-171-454-02	o	SHEET (L), CARD
1pc	7-682-902-11	s	SCREW +PWH 2.6x5
1pc	3-179-084-01	s	LEVER (R), PC BOARD
1pc	3-179-085-01	s	LEVER (L), PC BOARD
C100	1-163-037-11	s	CERAMIC, CHIP 0.022uF 10% 25V
C101	1-126-933-11	s	ELECT 100uF 20% 16V
C102	1-126-933-11	s	ELECT 100uF 20% 16V
C103	1-163-037-11	s	CERAMIC, CHIP 0.022uF 10% 25V
C104	1-163-037-11	s	CERAMIC, CHIP 0.022uF 10% 25V
C105-107	1-127-517-11	s	ALMUN SOLID 150uF 20% 16V
C108	1-163-037-11	s	CERAMIC, CHIP 0.022uF 10% 25V
C109-111	1-127-517-11	s	ALMUN SOLID 150uF 20% 16V
C112-116	1-163-037-11	s	CERAMIC, CHIP 0.022uF 10% 25V
C117	1-163-243-11	s	CERAMIC, CHIP 47pF 5% 50V (2125)
C118	1-163-125-00	s	CERAMIC, CHIP 220pF 5% 50V (2125)
C119	1-164-232-11	s	CERAMIC, CHIP 0.01uF 10% 100V
C120	1-163-133-00	s	CERAMIC, CHIP 470pF 5% 50V (2125)
C121	1-163-125-00	s	CERAMIC, CHIP 220pF 5% 50V (2125)
C122	1-163-121-00	s	CERAMIC, CHIP 150pF 5% 50V (2125)
C123	1-163-038-00	s	CERAMIC, CHIP 0.1uF 25V (2125)
C124	*7 1-163-239-11	s	CERAMIC, CHIP 33pF 5% 50V (2125)
	*3 1-163-106-00	s	CERAMIC, CHIP 36pF 5% 50V (2125)
	*1 1-163-239-11	s	CERAMIC, CHIP 33pF 5% 50V (2125)
C125	1-163-125-00	s	CERAMIC, CHIP 220pF 5% 50V
C126	1-163-037-11	s	CERAMIC, CHIP 0.022uF 10% 25V
C127	1-163-038-00	s	CERAMIC, CHIP 0.1uF 25V (2125)
C129	*7 1-163-243-11	s	CERAMIC, CHIP 47pF 5% 50V (2125)
	*2 1-163-121-00	s	CERAMIC, CHIP 150pF 5% 50V (2125)
C130-133	1-163-037-11	s	CERAMIC, CHIP 0.022uF 10% 25V
C134	1-164-232-11	s	CERAMIC, CHIP 0.01uF 10% 100V
C135	1-163-037-11	s	CERAMIC, CHIP 0.022uF 10% 25V
C136	*4 1-163-097-00	s	CERAMIC, CHIP 15pF 5% 50V (2125)
	*1 (*3)1-163-235-11	s	CERAMIC, CHIP 22pF 5% 50V (2125)
C137	*4 1-163-127-00	s	CERAMIC, CHIP 270pF 5% 50V (2125)
	*1 (*3)1-163-251-11	s	CERAMIC, CHIP 100pF 5% 50V
C138	*7 1-163-251-11	s	CERAMIC, CHIP 100pF 5% 50V (2125)
	*2 1-163-037-11	s	CERAMIC, CHIP 0.022uF 10% 25V (2125)
C139	1-163-037-11	s	CERAMIC, CHIP 0.022uF 10% 25V
C140	*4 1-163-224-11	s	CERAMIC, CHIP 7pF 50V (2125)
	*1 (*3)1-163-227-11	s	CERAMIC, CHIP 10pF 5% 50V (2125)
C141	*4 1-163-121-00	s	CERAMIC, CHIP 150pF 5% 50V (2125)
	*1 (*3)1-163-243-11	s	CERAMIC, CHIP 47pF 5% 50V (2125)
C142	*4 1-163-127-00	s	CERAMIC, CHIP 270pF 5% 50V (2125)
	*1 (*3)1-163-239-11	s	CERAMIC, CHIP 33pF 5% 50V (2125)
C143	1-163-037-11	s	CERAMIC, CHIP 0.022uF 10% 25V
C144	*4 1-163-121-00	s	CERAMIC, CHIP 150pF 5% 50V (2125)
	*1 (*3)1-163-097-00	s	CERAMIC, CHIP 15pF 5% 50V (2125)
C145	*7 1-163-037-11	s	CERAMIC, CHIP 0.022uF 10% 25V
	*2 1-135-161-21	s	TANTALUM, CHIP 22uF 10% 10V

-----  
 \*1: Board No. suffix 11 only  
 \*2: Board No. suffix 11 or 12  
 \*3: Board No. suffix 12 only

(VPR-1 BOARD for DVW-500P, suffix 11 through 17)

Ref. No. or Q'ty	Part No.	SP	Description
C146	*7 1-135-072-21	s	TANTALUM, CHIP 0.22uF 10% 35V
	*2 1-135-161-21	s	TANTALUM, CHIP 22uF 10% 10V
C147	*7 1-163-037-11	s	CERAMIC, CHIP 0.022uF 10% 25V (2125)
	*2 1-135-161-21	s	TANTALUM, CHIP 22uF 10% 10V
C148	1-104-559-11	s	FILM, CHIP 0.047uF 5% 16V (3216)
C149	*7 1-135-072-21	s	TANTALUM, CHIP 0.22uF 10% 35V
	*2 1-135-161-21	s	TANTALUM, CHIP 22uF 10% 10V
C150	*7 1-163-037-11	s	CERAMIC, CHIP 0.022uF 10% 25V (2125)
	*2 1-135-161-21	s	TANTALUM, CHIP 22uF 10% 10V
C151	*7 1-135-072-21	s	TANTALUM, CHIP 0.22uF 10% 35V
	*2 1-135-161-21	s	TANTALUM, CHIP 22uF 10% 10V
C152-154	*7 1-135-085-21	s	TANTALUM, CHIP 4.7uF 10% 25V
	*2 1-163-038-00	s	CERAMIC, CHIP 0.1uF 25V (2125)
C155-157	1-163-037-11	s	CERAMIC, CHIP 0.022uF 10% 25V (2125)
C158-160	*7 1-135-216-11	s	TANTALUM, CHIP 10uF 20% 10V
	*2 1-135-179-21	s	TANTALUM, CHIP 2.2uF 10% 16V
C161	1-163-037-11	s	CERAMIC, CHIP 0.022uF 10% 25V (2125)
C162	1-163-037-11	s	CERAMIC, CHIP 0.022uF 10% 25V (2125)
C163	1-126-964-11	s	ELECT 10uF 20% 50V
C164	*4 1-126-964-11	s	ELECT 10uF 20% 50V
C164A	*1 1-126-964-11	s	ELECT 10uF 20% 50V
C165	1-126-964-11	s	ELECT 10uF 20% 50V
C166	1-163-037-11	s	CERAMIC, CHIP 0.022uF 10% 25V (2125)
C167	*4 1-127-516-11	s	ELECT 220uF 20% 10V
	*1 (*3)1-127-532-11	s	ALUMN SOLID 47uF 20% 20V
C168	1-163-243-11	s	CERAMIC, CHIP 47pF 5% 50V (2125)
C169	1-164-232-11	s	CERAMIC, CHIP 0.01uF 10% 100V (2125)
C170	1-163-251-11	s	CERAMIC, CHIP 100pF 5% 50V (2125)
C171	1-163-037-11	s	CERAMIC, CHIP 0.022uF 10% 25V (2125)
C172	1-163-243-11	s	CERAMIC, CHIP 47pF 5% 50V (2125)
C173	1-164-232-11	s	CERAMIC, CHIP 0.01uF 10% 100V (2125)
C174	1-163-038-00	s	CERAMIC, CHIP 0.1uF 25V (2125)
C175	1-163-243-11	s	CERAMIC, CHIP 47pF 5% 50V (2125)
C176	1-163-038-00	s	CERAMIC, CHIP 0.1uF 25V (2125)
C177	1-163-037-11	s	CERAMIC, CHIP 0.022uF 10% 25V (2125)
C178	1-163-037-11	s	CERAMIC, CHIP 0.022uF 10% 25V (2125)
C179	*4 1-127-516-11	s	ELECT 220uF 20% 10V
	*1 (*3)1-126-933-11	s	ELECT 100uF 20% 16V
C180	1-163-037-11	s	CERAMIC, CHIP 0.022uF 10% 25V (2125)
C181	1-163-037-11	s	CERAMIC, CHIP 0.022uF 10% 25V (2125)
C182	1-163-038-00	s	CERAMIC, CHIP 0.1uF 25V (2125)
C183	1-163-251-11	s	CERAMIC, CHIP 100pF 5% 50V (2125)
C184	1-163-037-11	s	CERAMIC, CHIP 0.022uF 10% 25V (2125)
C185	*7 1-163-038-00	s	CERAMIC, CHIP 0.1uF 25V (2125)
	*2 1-163-037-11	s	CERAMIC, CHIP 0.022uF 10% 25V (2125)
C186	1-163-037-11	s	CERAMIC, CHIP 0.022uF 10% 25V (2125)
C187	*7 1-163-038-00	s	CERAMIC, CHIP 0.1uF 25V (2125)
	*2 1-163-037-11	s	CERAMIC, CHIP 0.022uF 10% 25V (2125)
C188	1-163-037-11	s	CERAMIC, CHIP 0.022uF 10% 25V (2125)
C189	*7 1-163-038-00	s	CERAMIC, CHIP 0.1uF 25V (2125)
	*2 1-163-037-11	s	CERAMIC, CHIP 0.022uF 10% 25V (2125)

-----  
 \*4: Board No. suffix 12 or higher  
 \*7: Board No. suffix 13 or higher  
 (\*?): Some mounted circuit boards within specified “\*?”

(VPR-1 BOARD for DVW-500P, suffix 11 through 17)

(VPR-1 BOARD for DVW-500P, suffix 11 through 17)

Ref. No. or Q'ty	Part No.	SP	Description
C190	1-163-251-11	s	CERAMIC, CHIP 100pF 5% 50V (2125)
C191	1-163-251-11	s	CERAMIC, CHIP 100pF 5% 50V (2125)
C192	*7 1-163-133-00	s	CERAMIC, CHIP 470pF 5% 50V (2125)
	*2 1-163-037-11	s	CERAMIC, CHIP 0.022uF 10% 25V
C193	1-163-037-11	s	CERAMIC, CHIP 0.022uF 10% 25V
C194	1-163-037-11	s	CERAMIC, CHIP 0.022uF 10% 25V
C195	1-163-038-00	s	CERAMIC, CHIP 0.1uF 25V (2125)
C196	1-163-038-00	s	CERAMIC, CHIP 0.1uF 25V (2125)
C197-201	1-163-037-11	s	CERAMIC, CHIP 0.022uF 10% 25V
C202	*3 1-163-038-00	s	CERAMIC, CHIP 0.1uF 25V (2125)
C203	1-163-037-11	s	CERAMIC, CHIP 0.022uF 10% 25V
C204	1-163-037-11	s	CERAMIC, CHIP 0.022uF 10% 25V
C205	*7 1-163-235-11	s	CERAMIC, CHIP 22pF 5% 50V (2125)
	*2 1-163-249-11	s	CERAMIC, CHIP 82pF 5% 50V (2125)
C206	1-163-239-11	s	CERAMIC, CHIP 33pF 5% 50V (2125)
C207	1-163-037-11	s	CERAMIC, CHIP 0.022uF 10% 25V
C208	1-163-037-11	s	CERAMIC, CHIP 0.022uF 10% 25V
C209	*7 1-163-235-11	s	CERAMIC, CHIP 22pF 5% 50V (2125)
	*2 1-163-249-11	s	CERAMIC, CHIP 82pF 5% 50V (2125)
C210	1-163-239-11	s	CERAMIC, CHIP 33pF 5% 50V (2125)
C211	1-163-037-11	s	CERAMIC, CHIP 0.022uF 10% 25V
C212	1-163-037-11	s	CERAMIC, CHIP 0.022uF 10% 25V
C213	*7 1-163-133-00	s	CERAMIC, CHIP 470pF 5% 50V (2125)
C214	*7 1-163-037-11	s	CERAMIC, CHIP 0.022uF 10% 25V
C215	1-163-037-11	s	CERAMIC, CHIP 0.022uF 10% 25V
C216	1-163-037-11	s	CERAMIC, CHIP 0.022uF 10% 25V
C217	*7 1-163-037-11	s	CERAMIC, CHIP 0.022uF 10% 25V
C218	*7 1-163-037-11	s	CERAMIC, CHIP 0.022uF 10% 25V
C219	1-163-037-11	s	CERAMIC, CHIP 0.022uF 10% 25V
C220	1-163-037-11	s	CERAMIC, CHIP 0.022uF 10% 25V
C221	*7 1-163-037-11	s	CERAMIC, CHIP 0.022uF 10% 25V
C222	*7 1-163-037-11	s	CERAMIC, CHIP 0.022uF 10% 25V
C223	1-163-037-11	s	CERAMIC, CHIP 0.022uF 10% 25V
C224	1-163-037-11	s	CERAMIC, CHIP 0.022uF 10% 25V
C225	*7 1-163-037-11	s	CERAMIC, CHIP 0.022uF 10% 25V
C227	1-163-037-11	s	CERAMIC, CHIP 0.022uF 10% 25V
C228	1-163-037-11	s	CERAMIC, CHIP 0.022uF 10% 25V
C231	1-163-037-11	s	CERAMIC, CHIP 0.022uF 10% 25V
C235	1-163-037-11	s	CERAMIC, CHIP 0.022uF 10% 25V
C236	*2 1-163-037-11	s	CERAMIC, CHIP 0.022uF 10% 25V
C240-242			
	*c 1-135-070-00	s	TANTALUM, CHIP 0.1uF 10% 35V
	*b 1-131-341-00	s	TANTALUM 0.1uF 10% 35V
C243	*c 1-163-241-11	s	CERAMIC, CHIP 39pF 5% 50V (2125)
	(*e)1-163-241-11	s	CERAMIC, CHIP 39pF 5% 50V (2125)
C300-304	1-126-964-11	s	ELECT 10uF 20% 50V
C306-310	1-164-232-11	s	CERAMIC, CHIP 0.01uF 10% 100V
C312	1-126-933-11	s	ELECT 100uF 20% 16V
C314	1-163-037-11	s	CERAMIC, CHIP 0.022uF 10% 25V
C315	1-163-037-11	s	CERAMIC, CHIP 0.022uF 10% 25V
C316	*7 1-163-037-11	s	CERAMIC, CHIP 0.022uF 10% 25V
C317	*7 1-163-037-11	s	CERAMIC, CHIP 0.022uF 10% 25V
C320	1-163-251-11	s	CERAMIC, CHIP 100pF 5% 50V (2125)
C321	1-135-091-00	s	TANTALUM, CHIP 1.0uF 20% 16V
C322	1-163-037-11	s	CERAMIC, CHIP 0.022uF 10% 25V

Ref. No. or Q'ty	Part No.	SP	Description
C326	1-126-933-11	s	ELECT 100uF 20% 16V
C327	1-163-037-11	s	CERAMIC, CHIP 0.022uF 10% 25V (2125)
C329	1-163-037-11	s	CERAMIC, CHIP 0.022uF 10% 25V (2125)
C330	1-126-933-11	s	ELECT 100uF 20% 16V
C331-334	1-163-037-11	s	CERAMIC, CHIP 0.022uF 10% 25V (2125)
C335	*1 1-126-964-11	s	ELECT 10uF 20% 50V
C336	1-126-964-11	s	ELECT 10uF 20% 50V
C337	1-126-964-11	s	ELECT 10uF 20% 50V
C338	*1 1-164-232-11	s	CERAMIC, CHIP 0.01uF 10% 100V (2125)
C339	1-164-232-11	s	CERAMIC, CHIP 0.01uF 10% 100V (2125)
C340	1-164-232-11	s	CERAMIC, CHIP 0.01uF 10% 100V (2125)
C500	1-126-964-11	s	ELECT 10uF 20% 50V
C501	1-126-964-11	s	ELECT 10uF 20% 50V
C504	1-164-232-11	s	CERAMIC, CHIP 0.01uF 10% 100V (2125)
C505	1-164-232-11	s	CERAMIC, CHIP 0.01uF 10% 100V (2125)
C508	*7 1-163-037-11	s	CERAMIC, CHIP 0.022uF 10% 25V (2125)
C509-511	1-163-037-11	s	CERAMIC, CHIP 0.022uF 10% 25V (2125)
C512	*7 1-126-933-11	s	ELECT 100uF 20% 16V
C513-515	1-163-037-11	s	CERAMIC, CHIP 0.022uF 10% 25V (2125)
C516	*7 1-163-037-11	s	CERAMIC, CHIP 0.022uF 10% 25V (2125)
C517-521	1-163-037-11	s	CERAMIC, CHIP 0.022uF 10% 25V (2125)
C523-527	1-163-037-11	s	CERAMIC, CHIP 0.022uF 10% 25V (2125)
C528	1-126-933-11	s	ELECT 100uF 20% 16V
C529	1-163-809-11	s	CERAMIC, CHIP 0.047uF 10% 25V (2125)
	(*1)1-163-139-00	s	CERAMIC, CHIP 820pF 5% 50V (2125)
C530-532	1-163-037-11	s	CERAMIC, CHIP 0.022uF 10% 25V (2125)
C533	1-135-167-21	s	TANTALUM, CHIP 68uF 10% 6.3V
C534	1-135-167-21	s	TANTALUM, CHIP 68uF 10% 6.3V
C535	1-163-037-11	s	CERAMIC, CHIP 0.022uF 10% 25V (2125)
C536	1-126-933-11	s	ELECT 100uF 20% 16V
C537	1-163-037-11	s	CERAMIC, CHIP 0.022uF 10% 25V (2125)
C538	1-126-933-11	s	ELECT 100uF 20% 16V
C539	1-126-933-11	s	ELECT 100uF 20% 16V
C540	1-163-037-11	s	CERAMIC, CHIP 0.022uF 10% 25V (2125)
C541-543	1-126-964-11	s	ELECT 10uF 20% 50V
C544	*7 1-163-037-11	s	CERAMIC, CHIP 0.022uF 10% 25V (2125)
C545-547	1-164-232-11	s	CERAMIC, CHIP 0.01uF 10% 100V (2125)
C548	1-126-925-11	s	ELECT 470uF 20% 10V
C549	1-163-037-11	s	CERAMIC, CHIP 0.022uF 10% 25V (2125)
C550	*7 1-164-695-11	s	CERAMIC, CHIP 2200pF 5% 50V (2125)
	*2 1-163-275-11	s	CERAMIC, CHIP 1000pF 5% 50V (2125)
C551	*7 1-164-685-11	s	CERAMIC, CHIP 1300pF 5% 50V (2125)
	*3 1-163-133-00	s	CERAMIC, CHIP 470pF 5% 50V (2125)
	*1 1-163-137-00	s	CERAMIC, CHIP 680pF 5% 50V (2125)
C552	*7 1-163-089-00	s	CERAMIC, CHIP 6pF 50V (2125)
	*3 1-163-222-11	s	CERAMIC, CHIP 5pF 50V (2125)
	*1 1-163-224-11	s	CERAMIC, CHIP 7pF 50V (2125)
	(*1)1-163-086-00	s	CERAMIC, CHIP 3pF 50V (2125)
C553	*7 1-126-933-11	s	ELECT 100uF 20% 16V
	*2 1-163-037-11	s	CERAMIC, CHIP 0.022uF 10% 25V (2125)
C554	*7 1-163-037-11	s	CERAMIC, CHIP 0.022uF 10% 25V (2125)
	*4 1-163-235-11	s	CERAMIC, CHIP 22pF 5% 50V (2125)
	*1 1-163-239-11	s	CERAMIC, CHIP 33pF 5% 50V (2125)
C555	1-164-695-11	s	CERAMIC, CHIP 2200pF 5% 50V (2125)
C556	*4 1-126-923-11	s	ELECT 220uF 20% 10V
	*1 1-135-318-11	s	TANTALUM, CHIP 33uF 20% 4V

-----  
 \*1: Board No. suffix 11 only  
 \*2: Board No. suffix 11 or 12  
 \*3: Board No. suffix 12 only  
 \*4: Board No. suffix 12 or higher  
 \*7: Board No. suffix 13 or higher

-----  
 \*b: Board No. suffix 14 only  
 \*c: Board No. suffix 14 or higher  
 \*e: LOT No. 409 or 410  
 (\*?): Some mounted circuit boards within specified “\*?”

(VPR-1 BOARD for DVW-500P, suffix 11 through 17)

(VPR-1 BOARD for DVW-500P, suffix 11 through 17)

Ref. No. or Q'ty	Part No.	SP	Description
C556A	*1 1-126-923-11	s	ELECT 220uF 20% 10V
C557	*4 1-126-923-11	s	ELECT 220uF 20% 10V
	*1 1-135-318-11	s	TANTALUM, CHIP 33uF 20% 4V
C557A	*1 1-126-923-11	s	ELECT 220uF 20% 10V
C558	*2 1-163-037-11	s	CERAMIC, CHIP 0.022uF 10% 25V
C559	*2 1-163-241-11	s	CERAMIC, CHIP 39pF 5% 50V (2125)
C560	1-164-695-11	s	CERAMIC, CHIP 2200pF 5% 50V
C561	*4 1-126-923-11	s	ELECT 220uF 20% 10V
	*1 1-135-318-11	s	TANTALUM, CHIP 33uF 20% 4V
C561A	*1 1-126-923-11	s	ELECT 220uF 20% 10V
C562	*4 1-126-923-11	s	ELECT 220uF 20% 10V
	*1 1-135-318-11	s	TANTALUM, CHIP 33uF 20% 4V
C562A	*1 1-126-923-11	s	ELECT 220uF 20% 10V
C563	*2 1-163-037-11	s	CERAMIC, CHIP 0.022uF 10% 25V
C564	*2 1-163-241-11	s	CERAMIC, CHIP 39pF 5% 50V (2125)
C565	*7 1-164-695-11	s	CERAMIC, CHIP 2200pF 5% 50V
	*2 1-163-275-11	s	CERAMIC, CHIP 1000pF 5% 50V
C566	*7 1-164-685-11	s	CERAMIC, CHIP 1300pF 5% 50V
	*3 1-163-133-00	s	CERAMIC, CHIP 470pF 5% 50V
	*1 1-163-137-00	s	CERAMIC, CHIP 680pF 5% 50V (2125)
C567	*7 1-163-089-00	s	CERAMIC, CHIP 6pF 50V (2125)
	*3 1-163-222-11	s	CERAMIC, CHIP 5pF 50V (2125)
	*1 1-163-224-11	s	CERAMIC, CHIP 7pF 50V (2125)
C568	*2 1-163-037-11	s	CERAMIC, CHIP 0.022uF 10% 25V
C569	*4 1-163-097-00	s	CERAMIC, CHIP 15pF 5% 50V (2125)
	*1 1-163-237-11	s	CERAMIC, CHIP 27pF 5% 50V (2125)
	(*1)1-163-092-00	s	CERAMIC, CHIP 9pF 50V (2125)
C570	*7 1-164-695-11	s	CERAMIC, CHIP 2200pF 5% 50V
	*2 1-163-275-11	s	CERAMIC, CHIP 1000pF 5% 50V
C571	*7 1-164-685-11	s	CERAMIC, CHIP 1300pF 5% 50V
	*3 1-163-133-00	s	CERAMIC, CHIP 470pF 5% 50V
	*1 1-163-137-00	s	CERAMIC, CHIP 680pF 5% 50V (2125)
C572	*7 1-163-089-00	s	CERAMIC, CHIP 6pF 50V (2125)
	*3 1-163-222-11	s	CERAMIC, CHIP 5pF 50V (2125)
	*1 1-163-224-11	s	CERAMIC, CHIP 7pF 50V (2125)
C573	*2 1-163-037-11	s	CERAMIC, CHIP 0.022uF 10% 25V
C574	*1 1-163-235-11	s	CERAMIC, CHIP 22pF 5% 50V (2125)
C575	*4 1-126-923-11	s	ELECT 220uF 20% 10V
	*1 1-135-318-11	s	TANTALUM, CHIP 33uF 20% 4V
C575A	*1 1-126-923-11	s	ELECT 220uF 20% 10V
C576	*9 1-135-210-11	s	TANTALUM, CHIP 4.7uF 20% 10V
C577	*4 1-163-037-11	s	CERAMIC, CHIP 0.022uF 10% 25V
C598	*7 1-163-220-11	s	CERAMIC, CHIP 3pF 50V (2125)
C599	*7 1-163-220-11	s	CERAMIC, CHIP 3pF 50V (2125)
C600	1-163-037-11	s	CERAMIC, CHIP 0.022uF 10% 25V
C601	*7 1-126-933-11	s	ELECT 100uF 20% 16V
	*2 1-163-037-11	s	CERAMIC, CHIP 0.022uF 10% 25V
C602	1-163-037-11	s	CERAMIC, CHIP 0.022uF 10% 25V
C603	*7 1-127-516-11	s	ELECT 220uF 20% 10V
	*2 1-127-518-11	s	ALUMN SOLID 100uF 20% 16V
C604	1-163-037-11	s	CERAMIC, CHIP 0.022uF 10% 25V
C605	1-163-038-00	s	CERAMIC, CHIP 0.1uF 25V (2125)
C606-608	1-163-037-11	s	CERAMIC, CHIP 0.022uF 10% 25V

-----  
 \*1: Board No. suffix 11 only  
 \*2: Board No. suffix 11 or 12  
 \*3: Board No. suffix 12 only  
 \*4: Board No. suffix 12 or higher

Ref. No. or Q'ty	Part No.	SP	Description
C609	1-163-038-00	s	CERAMIC, CHIP 0.1uF 25V (2125)
C610	1-163-037-11	s	CERAMIC, CHIP 0.022uF 10% 25V (2125)
C611	1-163-038-00	s	CERAMIC, CHIP 0.1uF 25V (2125)
C612	*7 1-163-037-11	s	CERAMIC, CHIP 0.022uF 10% 25V (2125)
	*2 1-127-517-11	s	ALMUN SOLID 150uF 20% 16V
C613	*7 1-163-037-11	s	CERAMIC, CHIP 0.022uF 10% 25V (2125)
C614	*7 1-127-516-11	s	ELECT 220uF 20% 10V
	*2 1-127-517-11	s	ALMUN SOLID 150uF 20% 16V
C615	1-163-037-11	s	CERAMIC, CHIP 0.022uF 10% 25V (2125)
C616	1-163-038-00	s	CERAMIC, CHIP 0.1uF 25V (2125)
C617	1-163-037-11	s	CERAMIC, CHIP 0.022uF 10% 25V (2125)
C618	*7 1-135-157-21	s	TANTALUM, CHIP 10uF 10% 6.3V
C619	1-163-037-11	s	CERAMIC, CHIP 0.022uF 10% 25V (2125)
C620	*7 1-163-087-00	s	CERAMIC, CHIP 4pF 50V (2125)
C621	1-163-037-11	s	CERAMIC, CHIP 0.022uF 10% 25V (2125)
C622	*7 1-163-037-11	s	CERAMIC, CHIP 0.022uF 10% 25V (2125)
C623	*2 1-126-933-11	s	ELECT 100uF 20% 16V
C624	*4 1-163-243-11	s	CERAMIC, CHIP 47pF 5% 50V (2125)
	*1 1-163-251-11	s	CERAMIC, CHIP 100pF 5% 50V (2125)
C625	*4 1-163-251-11	s	CERAMIC, CHIP 100pF 5% 50V (2125)
C626	*7 1-135-157-21	s	TANTALUM, CHIP 10uF 10% 6.3V
C628-634	1-163-037-11	s	CERAMIC, CHIP 0.022uF 10% 25V (2125)
C635	*7 1-127-516-11	s	ELECT 220uF 20% 10V
	*2 1-126-933-11	s	ELECT 100uF 20% 16V
C636	*7 1-163-037-11	s	CERAMIC, CHIP 0.022uF 10% 25V (2125)
C637-640	1-163-037-11	s	CERAMIC, CHIP 0.022uF 10% 25V (2125)
C641-646	*7 1-135-210-11	s	TANTALUM, CHIP 4.7uF 20% 10V
	*2 1-135-091-00	s	TANTALUM, CHIP 1.0uF 20% 16V
C647-649	*3 1-135-091-00	s	TANTALUM, CHIP 1.0uF 20% 16V
	*2 1-104-559-11	s	FILM, CHIP 0.047uF 5% 16V (3216)
C650-656	1-163-037-11	s	CERAMIC, CHIP 0.022uF 10% 25V (2125)
C657	*7 1-126-933-11	s	ELECT 100uF 20% 16V
	*2 1-163-037-11	s	CERAMIC, CHIP 0.022uF 10% 25V (2125)
C658	*7 1-127-516-11	s	ELECT 220uF 20% 10V
	*2 1-127-518-11	s	ALUMN SOLID 100uF 20% 16V
C659	1-163-037-11	s	CERAMIC, CHIP 0.022uF 10% 25V (2125)
C660	*7 1-135-157-21	s	TANTALUM, CHIP 10uF 10% 6.3V
C661-664	1-163-037-11	s	CERAMIC, CHIP 0.022uF 10% 25V (2125)
C665-667	1-163-038-00	s	CERAMIC, CHIP 0.1uF 25V (2125)
C668	*7 1-163-037-11	s	CERAMIC, CHIP 0.022uF 10% 25V (2125)
	*2 1-127-517-11	s	ALMUN SOLID 150uF 20% 16V
C670	1-163-037-11	s	CERAMIC, CHIP 0.022uF 10% 25V (2125)
C671	1-163-038-00	s	CERAMIC, CHIP 0.1uF 25V (2125)
C672	*7 1-163-037-11	s	CERAMIC, CHIP 0.022uF 10% 25V (2125)
C673	1-163-037-11	s	CERAMIC, CHIP 0.022uF 10% 25V (2125)
C674	*7 1-135-157-21	s	TANTALUM, CHIP 10uF 10% 6.3V
C675	1-163-037-11	s	CERAMIC, CHIP 0.022uF 10% 25V (2125)
C676	*7 1-163-220-11	s	CERAMIC, CHIP 3pF 50V (2125)
C677	1-163-037-11	s	CERAMIC, CHIP 0.022uF 10% 25V (2125)
C678	*7 1-163-037-11	s	CERAMIC, CHIP 0.022uF 10% 25V (2125)
C679	*7 1-135-157-21	s	TANTALUM, CHIP 10uF 10% 6.3V
C680	*7 1-127-516-11	s	ELECT 220uF 20% 10V
	*2 1-127-517-11	s	ALMUN SOLID 150uF 20% 16V

-----  
 \*7: Board No. suffix 13 or higher  
 \*9: Board No. suffix 12, 13, or 14  
 (\*?): Some mounted circuit boards within specified "\*?"

(VPR-1 BOARD for DVW-500P, suffix 11 through 17)

(VPR-1 BOARD for DVW-500P, suffix 11 through 17)

Ref. No. or Q'ty	Part No.	SP	Description
C681	*7 1-127-516-11	s	ELECT 220uF 20% 10V
	*2 1-126-933-11	s	ELECT 100uF 20% 16V
C682	*7 1-163-220-11	s	CERAMIC, CHIP 3pF 50V (2125)
C683	*7 1-163-037-11	s	CERAMIC, CHIP 0.022uF 10% 25V
C684-688	1-163-037-11	s	CERAMIC, CHIP 0.022uF 10% 25V
C689	*7 1-163-037-11	s	CERAMIC, CHIP 0.022uF 10% 25V
C690	*2 1-126-933-11	s	ELECT 100uF 20% 16V
C691	1-163-037-11	s	CERAMIC, CHIP 0.022uF 10% 25V
C695	*7 1-163-037-11	s	CERAMIC, CHIP 0.022uF 10% 25V
C696	*7 1-163-037-11	s	CERAMIC, CHIP 0.022uF 10% 25V
C697-700			
	*7 1-135-210-11	s	TANTALUM, CHIP 4.7uF 20% 10V
	*2 1-135-091-00	s	TANTALUM, CHIP 1.0uF 20% 16V
C701	*7 1-135-091-00	s	TANTALUM, CHIP 1.0uF 20% 16V
	*2 1-104-559-11	s	FILM, CHIP 0.047uF 5% 16V (3216)
C702	*7 1-135-091-00	s	TANTALUM, CHIP 1.0uF 20% 16V
	*2 1-104-559-11	s	FILM, CHIP 0.047uF 5% 16V (3216)
C703	1-163-037-11	s	CERAMIC, CHIP 0.022uF 10% 25V
C704	1-163-037-11	s	CERAMIC, CHIP 0.022uF 10% 25V
C705	1-163-222-11	s	CERAMIC, CHIP 5pF 50V (2125)
C706	1-163-243-11	s	CERAMIC, CHIP 47pF 5% 50V (2125)
C707-710	1-163-037-11	s	CERAMIC, CHIP 0.022uF 10% 25V
C711	1-163-227-11	s	CERAMIC, CHIP 10pF 5% 50V (2125)
C712	1-163-037-11	s	CERAMIC, CHIP 0.022uF 10% 25V
C713	*4 1-135-161-21	s	TANTALUM, CHIP 22uF 10% 10V
C714-719			
	*7 1-163-037-11	s	CERAMIC, CHIP 0.022uF 10% 25V
C745-749			
	*4 1-163-038-00	s	CERAMIC, CHIP 0.1uF 25V (2125)
C750	1-126-947-11	s	ELECT 47uF 20% 35V
C751-757	1-126-933-11	s	ELECT 100uF 20% 16V
C758-760	1-163-037-11	s	CERAMIC, CHIP 0.022uF 10% 25V
C761	1-126-933-11	s	ELECT 100uF 20% 16V
C762	1-126-933-11	s	ELECT 100uF 20% 16V
C763	*1 1-126-933-11	s	ELECT 100uF 20% 16V
C764	1-163-037-11	s	CERAMIC, CHIP 0.022uF 10% 25V
C765	1-163-037-11	s	CERAMIC, CHIP 0.022uF 10% 25V
C766	*1 1-163-037-11	s	CERAMIC, CHIP 0.022uF 10% 25V
C767	1-126-947-11	s	ELECT 47uF 20% 35V
C768	1-126-933-11	s	ELECT 100uF 20% 16V
C769	1-163-037-11	s	CERAMIC, CHIP 0.022uF 10% 25V
C770	1-163-037-11	s	CERAMIC, CHIP 0.022uF 10% 25V
C771	1-126-933-11	s	ELECT 100uF 20% 16V
C772-775	1-163-037-11	s	CERAMIC, CHIP 0.022uF 10% 25V
C776	1-126-933-11	s	ELECT 100uF 20% 16V
C777	1-163-037-11	s	CERAMIC, CHIP 0.022uF 10% 25V
C778	1-126-933-11	s	ELECT 100uF 20% 16V
C779-783	1-163-037-11	s	CERAMIC, CHIP 0.022uF 10% 25V
C784	1-126-964-11	s	ELECT 10uF 20% 50V
C785	1-163-038-00	s	CERAMIC, CHIP 0.1uF 25V (2125)
C786-792	1-163-037-11	s	CERAMIC, CHIP 0.022uF 10% 25V
C793	1-163-275-11	s	CERAMIC, CHIP 1000pF 5% 50V
C794	1-163-275-11	s	CERAMIC, CHIP 1000pF 5% 50V
C796	1-163-037-11	s	CERAMIC, CHIP 0.022uF 10% 25V

Ref. No. or Q'ty	Part No.	SP	Description
C797	*d 1-163-037-11	s	CERAMIC, CHIP 0.022uF 10% 25V (2125)
C802	1-163-037-11	s	CERAMIC, CHIP 0.022uF 10% 25V (2125)
C803	1-163-037-11	s	CERAMIC, CHIP 0.022uF 10% 25V (2125)
C805	1-163-037-11	s	CERAMIC, CHIP 0.022uF 10% 25V (2125)
C807	1-163-037-11	s	CERAMIC, CHIP 0.022uF 10% 25V (2125)
C809	1-163-037-11	s	CERAMIC, CHIP 0.022uF 10% 25V (2125)
C812	1-163-037-11	s	CERAMIC, CHIP 0.022uF 10% 25V (2125)
C814	1-163-037-11	s	CERAMIC, CHIP 0.022uF 10% 25V (2125)
C816	1-163-037-11	s	CERAMIC, CHIP 0.022uF 10% 25V (2125)
C818	1-163-037-11	s	CERAMIC, CHIP 0.022uF 10% 25V (2125)
C821-824	1-163-037-11	s	CERAMIC, CHIP 0.022uF 10% 25V (2125)
C1000	1-126-933-11	s	ELECT 100uF 20% 16V
C1001	1-163-239-11	s	CERAMIC, CHIP 33pF 5% 50V (2125)
C1002	1-126-933-11	s	ELECT 100uF 20% 16V
C1003	1-163-037-11	s	CERAMIC, CHIP 0.022uF 10% 25V (2125)
C1004	1-163-125-00	s	CERAMIC, CHIP 220pF 5% 50V (2125)
C1005	1-164-232-11	s	CERAMIC, CHIP 0.01uF 10% 100V (2125)
C1006	1-163-037-11	s	CERAMIC, CHIP 0.022uF 10% 25V (2125)
C1007	1-163-133-00	s	CERAMIC, CHIP 470pF 5% 50V (2125)
C1008	1-126-933-11	s	ELECT 100uF 20% 16V
C1009	1-126-933-11	s	ELECT 100uF 20% 16V
C1010	1-126-933-11	s	ELECT 100uF 20% 16V
C1011	1-163-037-11	s	CERAMIC, CHIP 0.022uF 10% 25V (2125)
C1012	1-163-037-11	s	CERAMIC, CHIP 0.022uF 10% 25V (2125)
C1013	1-163-037-11	s	CERAMIC, CHIP 0.022uF 10% 25V (2125)
C1014	1-164-232-11	s	CERAMIC, CHIP 0.01uF 10% 100V (2125)
C1015	1-104-559-11	s	FILM, CHIP 0.047uF 5% 16V (3216)
C1017	*3 1-163-038-00	s	CERAMIC, CHIP 0.1uF 25V (2125)
C1018	1-163-251-11	s	CERAMIC, CHIP 100pF 5% 50V (2125)
C1020	1-163-037-11	s	CERAMIC, CHIP 0.022uF 10% 25V (2125)
C1021	*7 1-163-038-00	s	CERAMIC, CHIP 0.1uF 25V (2125)
C1022	1-163-038-00	s	CERAMIC, CHIP 0.1uF 25V (2125)
C1024	1-163-037-11	s	CERAMIC, CHIP 0.022uF 10% 25V (2125)
C1025	1-163-133-00	s	CERAMIC, CHIP 470pF 5% 50V (2125)
C1026	1-163-037-11	s	CERAMIC, CHIP 0.022uF 10% 25V (2125)
C1027	1-163-239-11	s	CERAMIC, CHIP 33pF 5% 50V (2125)
C1028	1-163-125-00	s	CERAMIC, CHIP 220pF 5% 50V (2125)
C1029	1-104-547-11	s	FILM, CHIP 0.0047uF 5% 16V (2125)
C1030	1-163-037-11	s	CERAMIC, CHIP 0.022uF 10% 25V (2125)
C1031	*7 1-163-037-11	s	CERAMIC, CHIP 0.022uF 10% 25V (2125)
C1032	1-163-037-11	s	CERAMIC, CHIP 0.022uF 10% 25V (2125)
C1033	1-163-125-00	s	CERAMIC, CHIP 220pF 5% 50V (2125)
C1034	1-163-235-11	s	CERAMIC, CHIP 22pF 5% 50V (2125)
C1035	1-163-235-11	s	CERAMIC, CHIP 22pF 5% 50V (2125)
C1036	1-163-235-11	s	CERAMIC, CHIP 22pF 5% 50V (2125)
C1037	1-104-547-11	s	FILM, CHIP 0.0047uF 5% 16V (2125)
C1038	*4 1-164-232-11	s	CERAMIC, CHIP 0.01uF 10% 100V (2125)
C1039	1-164-232-11	s	CERAMIC, CHIP 0.01uF 10% 100V (2125)
C1040	*4 1-163-235-11	s	CERAMIC, CHIP 22pF 5% 50V (2125)
C1041	1-163-037-11	s	CERAMIC, CHIP 0.022uF 10% 25V (2125)
C1042	1-163-037-11	s	CERAMIC, CHIP 0.022uF 10% 25V (2125)
C1043	1-163-085-00	s	CERAMIC, CHIP 2pF 50V (2125)
C1044	1-163-089-00	s	CERAMIC, CHIP 6pF 50V (2125)
C1045	*7 1-163-037-11	s	CERAMIC, CHIP 0.022uF 10% 25V (2125)
C1046	1-163-038-00	s	CERAMIC, CHIP 0.1uF 25V (2125)
C1048	1-163-239-11	s	CERAMIC, CHIP 33pF 5% 50V (2125)

-----  
 \*1: Board No. suffix 11 only  
 \*2: Board No. suffix 11 or 12  
 \*3: Board No. suffix 12 only

-----  
 \*4: Board No. suffix 12 or higher  
 \*7: Board No. suffix 13 or higher  
 \*d: Board No. suffix 15 or higher

(VPR-1 BOARD for DVW-500P, suffix 11 through 17)

(VPR-1 BOARD for DVW-500P, suffix 11 through 17)

Ref. No. or Q'ty	Part No.	SP	Description
C1049	1-135-085-21	s	TANTALUM, CHIP 4.7uF 10% 25V
C1050	1-135-085-21	s	TANTALUM, CHIP 4.7uF 10% 25V
C1051 *7	1-163-037-11	s	CERAMIC, CHIP 0.022uF 10% 25V
C1052	1-163-037-11	s	CERAMIC, CHIP 0.022uF 10% 25V
C1053	1-126-933-11	s	ELECT 100uF 20% 16V
C1055	1-163-037-11	s	CERAMIC, CHIP 0.022uF 10% 25V
C1056	1-135-179-21	s	TANTALUM, CHIP 2.2uF 10% 16V
C1057	1-126-933-11	s	ELECT 100uF 20% 16V
C1059	1-163-037-11	s	CERAMIC, CHIP 0.022uF 10% 25V
C1060	1-163-037-11	s	CERAMIC, CHIP 0.022uF 10% 25V
C1061	1-163-037-11	s	CERAMIC, CHIP 0.022uF 10% 25V
C1063	1-126-933-11	s	ELECT 100uF 20% 16V
C1064	1-126-933-11	s	ELECT 100uF 20% 16V
C1065	1-163-037-11	s	CERAMIC, CHIP 0.022uF 10% 25V
C1066	1-163-037-11	s	CERAMIC, CHIP 0.022uF 10% 25V
C1067	1-163-037-11	s	CERAMIC, CHIP 0.022uF 10% 25V
C1068	1-126-933-11	s	ELECT 100uF 20% 16V
C1069	1-163-037-11	s	CERAMIC, CHIP 0.022uF 10% 25V
C1070	1-126-933-11	s	ELECT 100uF 20% 16V
C1071	1-163-038-00	s	CERAMIC, CHIP 0.1uF 25V (2125)
C1073-1076	1-163-037-11	s	CERAMIC, CHIP 0.022uF 10% 25V
C1078	1-163-037-11	s	CERAMIC, CHIP 0.022uF 10% 25V
C1080	1-163-037-11	s	CERAMIC, CHIP 0.022uF 10% 25V
C1081	1-163-037-11	s	CERAMIC, CHIP 0.022uF 10% 25V
C1082	1-163-235-11	s	CERAMIC, CHIP 22pF 5% 50V (2125)
C1084	1-163-037-11	s	CERAMIC, CHIP 0.022uF 10% 25V
C1086	1-163-037-11	s	CERAMIC, CHIP 0.022uF 10% 25V
C1087	1-163-037-11	s	CERAMIC, CHIP 0.022uF 10% 25V
C1088	1-163-235-11	s	CERAMIC, CHIP 22pF 5% 50V (2125)
C1089	1-163-037-11	s	CERAMIC, CHIP 0.022uF 10% 25V
C1090	1-163-251-11	s	CERAMIC, CHIP 100pF 5% 50V
C1091	1-163-038-00	s	CERAMIC, CHIP 0.1uF 25V (2125)
C1093	1-126-933-11	s	ELECT 100uF 20% 16V
C1094	1-163-038-00	s	CERAMIC, CHIP 0.1uF 25V (2125)
C1096	1-163-037-11	s	CERAMIC, CHIP 0.022uF 10% 25V
C1098	1-126-933-11	s	ELECT 100uF 20% 16V
C1099	1-163-037-11	s	CERAMIC, CHIP 0.022uF 10% 25V
C1100	1-163-121-00	s	CERAMIC, CHIP 150pF 5% 50V (2125)
C1101	1-163-037-11	s	CERAMIC, CHIP 0.022uF 10% 25V
C1102	1-163-038-00	s	CERAMIC, CHIP 0.1uF 25V (2125)
C1103	1-126-933-11	s	ELECT 100uF 20% 16V
C1104	1-163-037-11	s	CERAMIC, CHIP 0.022uF 10% 25V
C1105	1-163-037-11	s	CERAMIC, CHIP 0.022uF 10% 25V
C1106	1-163-037-11	s	CERAMIC, CHIP 0.022uF 10% 25V
C1107	1-126-933-11	s	ELECT 100uF 20% 16V
C1108	1-163-275-11	s	CERAMIC, CHIP 1000pF 5% 50V
C1109	1-163-037-11	s	CERAMIC, CHIP 0.022uF 10% 25V
C1110	1-163-037-11	s	CERAMIC, CHIP 0.022uF 10% 25V
C1111	1-126-964-11	s	ELECT 10uF 20% 50V
C1112	1-163-037-11	s	CERAMIC, CHIP 0.022uF 10% 25V
C1113	1-163-113-00	s	CERAMIC, CHIP 68pF 5% 50V (2125)
C1114	1-163-125-00	s	CERAMIC, CHIP 220pF 5% 50V (2125)
C1115	1-163-037-11	s	CERAMIC, CHIP 0.022uF 10% 25V
C1116	1-163-113-00	s	CERAMIC, CHIP 68pF 5% 50V (2125)
C1117	1-163-037-11	s	CERAMIC, CHIP 0.022uF 10% 25V

-----  
 \*1: Board No. suffix 11 only  
 \*2: Board No. suffix 11 or 12  
 \*3: Board No. suffix 12 only  
 \*4: Board No. suffix 12 or higher

Ref. No. or Q'ty	Part No.	SP	Description
C1118	1-163-037-11	s	CERAMIC, CHIP 0.022uF 10% 25V (2125)
C1119	1-163-037-11	s	CERAMIC, CHIP 0.022uF 10% 25V (2125)
C1120 *4	1-163-037-11	s	CERAMIC, CHIP 0.022uF 10% 25V (2125)
C1121 *4	1-163-037-11	s	CERAMIC, CHIP 0.022uF 10% 25V (2125)
C1122	1-163-037-11	s	CERAMIC, CHIP 0.022uF 10% 25V (2125)
C1124	1-163-038-00	s	CERAMIC, CHIP 0.1uF 25V (2125)
C1125	1-163-037-11	s	CERAMIC, CHIP 0.022uF 10% 25V (2125)
C1126	1-126-933-11	s	ELECT 100uF 20% 16V
C1127	1-126-933-11	s	ELECT 100uF 20% 16V
C1128	1-163-037-11	s	CERAMIC, CHIP 0.022uF 10% 25V (2125)
C1129	1-163-038-00	s	CERAMIC, CHIP 0.1uF 25V (2125)
C1130	1-163-037-11	s	CERAMIC, CHIP 0.022uF 10% 25V (2125)
C1132	1-163-037-11	s	CERAMIC, CHIP 0.022uF 10% 25V (2125)
C1133	1-126-933-11	s	ELECT 100uF 20% 16V
C1134-1137	1-163-037-11	s	CERAMIC, CHIP 0.022uF 10% 25V (2125)
C1138 *1	1-163-037-11	s	CERAMIC, CHIP 0.022uF 10% 25V (2125)
C1139	1-163-037-11	s	CERAMIC, CHIP 0.022uF 10% 25V (2125)
C1140	1-163-113-00	s	CERAMIC, CHIP 68pF 5% 50V (2125)
C1141	1-163-037-11	s	CERAMIC, CHIP 0.022uF 10% 25V (2125)
C1143	1-163-125-00	s	CERAMIC, CHIP 220pF 5% 50V (2125)
C1144	1-163-037-11	s	CERAMIC, CHIP 0.022uF 10% 25V (2125)
C1145	1-163-037-11	s	CERAMIC, CHIP 0.022uF 10% 25V (2125)
C1146	1-163-113-00	s	CERAMIC, CHIP 68pF 5% 50V (2125)
C1147	1-163-037-11	s	CERAMIC, CHIP 0.022uF 10% 25V (2125)
C1148	1-163-037-11	s	CERAMIC, CHIP 0.022uF 10% 25V (2125)
C1149	1-163-037-11	s	CERAMIC, CHIP 0.022uF 10% 25V (2125)
C1150	1-164-222-11	s	CERAMIC, CHIP 0.22uF 25V (2125)
C1151	1-163-037-11	s	CERAMIC, CHIP 0.022uF 10% 25V (2125)
C1152	1-163-037-11	s	CERAMIC, CHIP 0.022uF 10% 25V (2125)
C1153 *4	1-135-179-21	s	TANTALUM, CHIP 2.2uF 10% 16V
*1	1-131-349-00	s	TANTALUM 2.2uF 10% 35V
C1156	1-126-933-11	s	ELECT 100uF 20% 16V
C1157	1-126-933-11	s	ELECT 100uF 20% 16V
C1158-1163	1-163-037-11	s	CERAMIC, CHIP 0.022uF 10% 25V (2125)
C1164	1-126-964-11	s	ELECT 10uF 20% 50V
C1165	1-164-232-11	s	CERAMIC, CHIP 0.01uF 10% 100V (2125)
C1166-1169	1-126-964-11	s	ELECT 10uF 20% 50V
C1170-1173	1-164-232-11	s	CERAMIC, CHIP 0.01uF 10% 100V (2125)
C1174	1-163-137-00	s	CERAMIC, CHIP 680pF 5% 50V (2125)
C1175	1-163-251-11	s	CERAMIC, CHIP 100pF 5% 50V (2125)
C1176	1-163-251-11	s	CERAMIC, CHIP 100pF 5% 50V (2125)
C1177	1-163-037-11	s	CERAMIC, CHIP 0.022uF 10% 25V (2125)
C1178,1179	*7	1-135-227-11	s TANTALUM, CHIP 100uF 10% 6.3V
	(*2)	1-135-179-21	s TANTALUM, CHIP 2.2uF 10% 16V
C1182 *9	1-163-038-00	s	CERAMIC, CHIP 0.1uF 25V (2125)
C1183 *4	1-163-037-11	s	CERAMIC, CHIP 0.022uF 10% 25V (2125)
C1184 *7	1-126-933-11	s	ELECT 100uF 20% 16V
C1185 *7	1-163-037-11	s	CERAMIC, CHIP 0.022uF 10% 25V (2125)
C1186 *7	1-135-161-21	s	TANTALUM, CHIP 22uF 10% 10V
C1187 *7	1-135-227-11	s	TANTALUM, CHIP 100uF 10% 6.3V
C1188 *7	1-135-227-11	s	TANTALUM, CHIP 100uF 10% 6.3V

-----  
 \*7: Board No. suffix 13 or higher  
 \*9: Board No. suffix 12, 13, or 14  
 \*a: Board No. suffix 13 or 14  
 \*c: Board No. suffix 14 or higher

(VPR-1 BOARD for DVW-500P, suffix 11 through 17)

(VPR-1 BOARD for DVW-500P, suffix 11 through 17)

Ref. No. or Q'ty	Part No.	SP	Description
C1190	*c 1-163-037-11	s	CERAMIC, CHIP 0.022uF 10% 25V
C1191	*c 1-163-037-11	s	CERAMIC, CHIP 0.022uF 10% 25V
C1192	*1 1-163-037-11	s	CERAMIC, CHIP 0.022uF 10% 25V
C1200	*d 1-163-137-00	s	CERAMIC, CHIP 680pF 5% 50V
C1202	*d 1-163-037-11	s	CERAMIC, CHIP 0.022uF 10% 25V
C1203	*d 1-163-137-00	s	CERAMIC, CHIP 680pF 5% 50V (2125)
C1204	*d 1-163-137-00	s	CERAMIC, CHIP 680pF 5% 50V
C1205	*d 1-163-037-11	s	CERAMIC, CHIP 0.022uF 10% 25V
C1221	*d 1-128-551-11	s	ELECT 22uF 20% 63V
C1222	*d 1-128-551-11	s	ELECT 22uF 20% 63V
C1225	*d 1-163-037-11	s	CERAMIC, CHIP 0.022uF 10% 25V
C1226	*d 1-163-037-11	s	CERAMIC, CHIP 0.022uF 10% 25V
C1233	*d 1-163-037-11	s	CERAMIC, CHIP 0.022uF 10% 25V
C1244	*d 1-163-037-11	s	CERAMIC, CHIP 0.022uF 10% 25V
C8100	*2 1-164-315-11	s	CERAMIC, CHIP 470pF 5% 50V (1608)
C8101	*2 1-164-315-11	s	CERAMIC, CHIP 470pF 5% 50V (1608)
C8102(*h)	1-163-037-11	s	CERAMIC, CHIP 0.022uF 10% 25V
C8103(*h)	1-163-037-11	s	CERAMIC, CHIP 0.022uF 10% 25V
C8104(*h)	1-163-037-11	s	CERAMIC, CHIP 0.022uF 10% 25V
C8600(*h)	1-163-037-11	s	CERAMIC, CHIP 0.022uF 10% 25V
C8601(*h)	1-163-037-11	s	CERAMIC, CHIP 0.022uF 10% 25V
CN113	1-573-600-21	s	CONNECTOR, PHEC 100P, MALE
CN114	1-573-600-21	s	CONNECTOR, PHEC 100P, MALE
CN115	1-573-600-21	s	CONNECTOR, PHEC 100P, MALE
CP300	1-760-275-11	s	VCO, CRYSTAL 27.0 MHZ
CP500	1-760-263-11	s	VCO, CRYSTAL 35.468950 MHZ
CP1000*g	1-760-268-11	s	VCO, CRYSTAL 17.734475 MHZ
*f	1-577-295-11	s	VCO, CRYSTAL 17.734475 MHZ
CP1001*1	1-767-589-11	s	VCO, LITHIUM 24.576 MHZ
*m	1-577-223-11	s	VCO, LITHIUM 24.576 MHZ
*2	1-577-596-11	s	VCO, CRYSTAL 24.576 MHZ
CP1002	1-760-275-11	s	VCO, CRYSTAL 27.0 MHZ
D104	*7 8-719-023-69	s	DIODE SB007T03Q
D105	8-719-023-69	s	DIODE SB007T03Q
D106-108	8-719-157-11	s	DIODE RD3.3M-B
D310	*r 8-719-911-19	s	DIODE 1SS119
D500	*9 8-719-941-23	s	DIODE DA204U
D603	*7 8-719-023-69	s	DIODE SB007T03Q
D604	*7 8-719-023-69	s	DIODE SB007T03Q
D605-607	8-719-023-69	s	DIODE SB007T03Q
D750	8-719-941-23	s	DIODE DA204U
D751	*4 8-719-941-23	s	DIODE DA204U
D752-757	8-719-023-69	s	DIODE SB007T03Q
D1000	8-719-941-23	s	DIODE DA204U
D1002	8-719-941-23	s	DIODE DA204U
D1003	8-719-941-23	s	DIODE DA204U
D1004	8-719-941-23	s	DIODE DA204U
D1005	*4 8-719-941-23	s	DIODE DA204U
*1	8-719-911-19	s	DIODE 1SS119
D1006	*7 8-719-023-69	s	DIODE SB007T03Q
(*3)	8-719-941-23	s	DIODE DA204U
(*1)	8-719-911-19	s	DIODE 1SS119
D1007	*7 8-719-941-23	s	DIODE DA204U
D1009	*7 8-719-023-69	s	DIODE SB007T03Q
D1010	*7 8-719-023-69	s	DIODE SB007T03Q

-----  
\*d: Board No. suffix 15 or higher  
\*f: LOT No. 302 through 402  
\*g: LOT No. 403 or higher  
\*h: LOT No. 309 through 312

Ref. No. or Q'ty	Part No.	SP	Description
D1011	*a 8-719-123-82	s	DIODE 1SS303
D1012	*a 8-719-123-82	s	DIODE 1SS303
D8000(*3)	8-719-911-19	s	DIODE 1SS119
FB300	1-543-309-21	s	BEAD, FERRITE
FB301-304	*4 1-543-622-11	s	BEAD, FERRITE, CHIP
FB305	*4 1-543-309-21	s	BEAD, FERRITE
FB307	*4 1-543-644-21	s	BEAD, FERRITE, CHIP
FB308	*4 1-543-644-21	s	BEAD, FERRITE, CHIP
FB500	*4 1-543-309-21	s	BEAD, FERRITE
FB501	*4 1-543-309-21	s	BEAD, FERRITE
FB502	*4 1-543-622-11	s	BEAD, FERRITE, CHIP
FB504	*4 1-543-622-11	s	BEAD, FERRITE, CHIP
FB505	*4 1-543-644-21	s	BEAD, FERRITE, CHIP
FB506	*4 1-543-644-21	s	BEAD, FERRITE, CHIP
FB1000	1-543-309-21	s	BEAD, FERRITE
FB1001	1-543-309-21	s	BEAD, FERRITE
FB1002	1-543-309-21	s	BEAD, FERRITE
FB1003*4	1-543-309-21	s	BEAD, FERRITE
FB1004*n	1-543-309-21	s	BEAD, FERRITE
FB1005*4	1-543-309-21	s	BEAD, FERRITE
FB1006,1007	*4 1-543-644-21	s	BEAD, FERRITE, CHIP
FB1009,1010	*4 1-543-644-21	s	BEAD, FERRITE, CHIP
FL100	1-239-721-11	s	FILTER, LOW-PASS
FL101	1-239-722-11	s	FILTER, LOW PASS
FL102	1-239-722-11	s	FILTER, LOW PASS
FL300	*1 1-239-719-31	s	FILTER, NOISE, CHIP
FL301	*1 1-239-719-31	s	FILTER, NOISE, CHIP
FL302	*1 1-239-719-31	s	FILTER, NOISE, CHIP
FL303-318	1-239-719-31	s	FILTER, NOISE, CHIP
FL501-517	1-239-719-31	s	FILTER, NOISE, CHIP
FL600-604	1-239-721-11	s	FILTER, LOW-PASS
FL1000*2	1-239-719-31	s	FILTER, NOISE, CHIP
FL1001-1029	1-239-719-31	s	FILTER, NOISE, CHIP
IC100	8-759-169-45	s	IC TA78L12F
IC101	8-759-045-17	s	IC NJM79L05UA
IC102	8-759-234-08	s	IC TA78L05F
IC103	8-759-045-17	s	IC NJM79L05UA
IC104	8-759-987-27	s	IC LM1881M
IC105	8-759-239-58	s	IC TC74HC221AF
IC106	8-759-262-03	s	IC MC14577CF
IC107	*7 8-759-014-29	s	IC MC34184M
*2	8-759-030-16	s	IC MC34182M
IC108	*7 8-759-014-29	s	IC MC34184M
*2	8-759-030-16	s	IC MC34182M

-----  
\*1: Board No. suffix 16 or higher  
\*m: Board No. suffix 13, 14, or 15  
\*n: Board No. suffix 12, 13, 14, or 15  
\*r: LOT No. 709 or higher  
(\*?): Some mounted circuit boards within specified "\*?"

(VPR-1 BOARD for DVW-500P, suffix 11 through 17)

(VPR-1 BOARD for DVW-500P, suffix 11 through 17)

Ref. No. or Q'ty	Part No.	SP	Description
IC109	8-759-702-08	s	IC NJM360M
IC110	8-759-234-08	s	IC TA78L05F
IC111	8-759-987-82	s	IC 74AC00SJ
IC112	8-759-030-16	s	IC MC34182M
IC113	8-759-440-94	s	IC SN74LVT245ANS
IC114	8-759-175-58	s	IC MB40558PF
IC115	8-759-085-99	s	IC MB40568PF-G-BND
IC116	8-759-085-99	s	IC MB40568PF-G-BND
IC117	8-759-030-16	s	IC MC34182M
IC118	8-759-440-94	s	IC SN74LVT245ANS
IC119	8-759-440-94	s	IC SN74LVT245ANS
IC120	8-759-440-94	s	IC SN74LVT245ANS
IC121	8-759-174-09	s	IC CXD8381Q
IC122	8-759-174-09	s	IC CXD8381Q
IC123	8-759-702-08	s	IC NJM360M
IC124	8-759-030-61	s	IC TL431CM
IC125	8-759-030-61	s	IC TL431CM
IC126	*7 8-759-014-29	s	IC MC34184M
	*2 8-759-030-16	s	IC MC34182M
IC127	*7 8-759-234-77	s	IC TC4S66F
IC128	*7 8-759-234-77	s	IC TC4S66F
IC129	*7 8-759-234-77	s	IC TC4S66F
IC300	8-759-548-77	s	IC SN74LV245ANSR
IC301	8-759-548-77	s	IC SN74LV245ANSR
IC302	8-759-986-32	s	IC 74ACT244SJ
IC303	8-759-548-77	s	IC SN74LV245ANSR
IC304	8-759-548-77	s	IC SN74LV245ANSR
IC305	*7 8-759-105-49	s	IC UPC319G2
IC306	*4 8-759-234-20	s	IC TC7S08F
	*1 8-759-058-61	s	IC TC7S08FU
IC307	8-759-175-79	s	IC CXD8818R
IC308	8-759-179-34	s	IC DMA100S
IC309	8-752-306-51	s	IC CX23065A
IC311	8-759-030-16	s	IC MC34182M
IC312	8-759-175-57	s	IC CXD8820AR
IC313	*1 8-759-548-77	s	IC SN74LV245ANSR
IC314	8-759-440-94	s	IC SN74LVT245ANS
IC315	8-759-440-94	s	IC SN74LVT245ANS
IC500	8-759-440-94	s	IC SN74LVT245ANS
IC501	8-759-440-94	s	IC SN74LVT245ANS
IC504	8-759-247-03	s	IC CXD8810BQ
IC505	8-759-249-01	s	IC CXD8382BQ
IC506	8-752-306-51	s	IC CX23065A
IC507	8-759-030-16	s	IC MC34182M
IC508	8-759-440-94	s	IC SN74LVT245ANS
IC509	8-759-548-77	s	IC SN74LV245ANSR
IC510	8-759-548-77	s	IC SN74LV245ANSR
IC511	8-759-548-77	s	IC SN74LV245ANSR
IC512	8-759-517-31	s	IC S-8052ANY-NH
IC513	*a 8-759-082-55	s	IC TC7W00FU
IC514	*4 8-759-234-77	s	IC TC4S66F
IC600	*7 8-759-052-52	s	IC L78M05T-FA
	*2 8-759-234-08	s	IC TA78L05F
IC601	*c 8-759-030-16	s	IC MC34182M
	*5 8-759-014-29	s	IC MC34184M

Ref. No. or Q'ty	Part No.	SP	Description
IC602	8-759-014-29	s	IC MC34184M
IC603	8-752-357-63	s	IC CXD2308Q
IC604	*7 8-759-822-95	s	IC L79M05T-FA
	*2 8-759-045-17	s	IC NJM79L05UA
IC605	8-759-907-81	s	IC SN74LS221NS
IC606	8-759-030-16	s	IC MC34182M
IC607	8-759-030-16	s	IC MC34182M
IC608	*7 8-759-082-61	s	IC TC4W53FU
	*2 8-759-300-71	s	IC HD14053BFP
IC609	*7 8-759-052-52	s	IC L78M05T-FA
	*2 8-759-234-08	s	IC TA78L05F
IC610	8-752-357-63	s	IC CXD2308Q
IC611	*7 8-759-822-95	s	IC L79M05T-FA
	*2 8-759-045-17	s	IC NJM79L05UA
IC612	8-759-030-16	s	IC MC34182M
IC613	*7 8-759-082-61	s	IC TC4W53FU
	*2 8-759-300-71	s	IC HD14053BFP
IC614	8-752-052-77	s	IC CXA1450M
IC615	*4 8-759-082-58	s	IC TC7W08FU
	*1 8-759-242-76	s	IC TC7W08F
IC616	*2 8-759-169-45	s	IC TA78L12F
IC617	*2 8-759-030-61	s	IC TL431CM
IC618	*2 8-759-030-61	s	IC TL431CM
IC619	8-759-030-61	s	IC TL431CM
IC620	*2 8-759-030-61	s	IC TL431CM
IC621	8-759-030-61	s	IC TL431CM
IC622	*2 8-759-169-45	s	IC TA78L12F
IC623	8-759-030-16	s	IC MC34182M
IC624	8-759-030-16	s	IC MC34182M
IC625	*7 8-759-098-16	s	IC LT1227CS8
IC626	*7 8-759-271-04	s	IC LT1252CS8
IC627	*7 8-759-098-16	s	IC LT1227CS8
IC628	*7 8-759-271-04	s	IC LT1252CS8
IC629	*7 8-759-098-16	s	IC LT1227CS8
IC630	*7 8-759-271-04	s	IC LT1252CS8
IC631	*7 8-759-098-16	s	IC LT1227CS8
IC632	*7 8-759-271-04	s	IC LT1252CS8
IC633	*7 8-759-098-16	s	IC LT1227CS8
IC634	*7 8-759-271-04	s	IC LT1252CS8
IC635	*7 8-759-082-61	s	IC TC4W53FU
IC636	*7 8-759-082-61	s	IC TC4W53FU
IC637	*7 8-759-082-61	s	IC TC4W53FU
IC750	8-759-673-45	s	IC MM74HC08SJX
IC751	8-759-052-52	s	IC L78M05T-FA
IC752	8-759-940-45	s	IC S-8054HN-CB-S
IC753	*d 8-759-431-01	s	IC UPD78014GC-763-AB8
IC754	*d 8-759-430-21	s	IC MSM6524GS-KR1
IC755	*d 8-759-430-21	s	IC MSM6524GS-KR1
IC756	8-759-082-57	s	IC TC7W04FU
IC757	8-759-269-09	s	IC SN74HCT04ANS
IC758	8-759-277-19	s	IC UPD485505G-35
IC759	8-759-277-19	s	IC UPD485505G-35
IC760	8-759-277-19	s	IC UPD485505G-35
IC761	8-759-440-94	s	IC SN74LVT245ANS
IC762	8-759-269-09	s	IC SN74HCT04ANS

-----  
 \*1: Board No. suffix 11 only  
 \*2: Board No. suffix 11 or 12  
 \*4: Board No. suffix 12 or higher  
 \*5: Board No. suffix 11, 12, or 13

-----  
 \*7: Board No. suffix 13 or higher  
 \*a: Board No. suffix 13 or 14  
 \*c: Board No. suffix 14 or higher  
 \*d: Board No. suffix 15 or higher

(VPR-1 BOARD for DVW-500P, suffix 11 through 17)

(VPR-1 BOARD for DVW-500P, suffix 11 through 17)

Ref. No. or Q'ty	Part No.	SP	Description
IC763	*d 8-759-035-93	s	IC SC7S32F
IC1000	8-759-052-52	s	IC L78M05T-FA
IC1001	8-759-045-17	s	IC NJM79L05UA
IC1002	8-759-239-58	s	IC TC74HC221AF
IC1003	*d 8-759-195-02	s	IC TC7S86F
	*8 8-759-195-81	s	IC TC7S86FU
IC1004	8-759-234-08	s	IC TA78L05F
IC1006	8-759-014-29	s	IC MC34184M
IC1007	8-759-300-71	s	IC HD14053BFP
IC1008	8-759-926-15	s	IC SN74HC151ANS
IC1009	8-759-907-81	s	IC SN74LS221NS
IC1010	8-759-987-27	s	IC LM1881M
IC1011	8-759-262-03	s	IC MC14577CF
IC1012	8-759-262-03	s	IC MC14577CF
IC1013	8-759-702-08	s	IC NJM360M
IC1014	8-759-045-17	s	IC NJM79L05UA
IC1015	8-759-030-16	s	IC MC34182M
IC1016	8-759-925-05	s	IC LM2903PS
IC1017	8-759-702-08	s	IC NJM360M
IC1018	*7 8-759-234-77	s	IC TC4S66F
IC1019	8-759-175-66	s	IC CXD8817Q
IC1020	8-759-014-29	s	IC MC34184M
IC1021	8-759-907-81	s	IC SN74LS221NS
IC1022	8-759-907-81	s	IC SN74LS221NS
IC1023	8-759-082-57	s	IC TC7W04FU
IC1024	8-759-907-81	s	IC SN74LS221NS
IC1025	8-752-334-64	s	IC CXD1171M
IC1026	8-759-440-94	s	IC SN74LVT245ANS
IC1027	8-752-306-51	s	IC CX23065A
IC1028	8-759-925-05	s	IC LM2903PS
IC1029	8-759-030-16	s	IC MC34182M
IC1030	8-759-702-08	s	IC NJM360M
IC1031	8-752-334-64	s	IC CXD1171M
IC1032	8-759-175-65	s	IC CXD8821Q
IC1033	8-759-702-08	s	IC NJM360M
IC1034	*7 8-759-082-61	s	IC TC4W53FU
	*2 8-759-300-71	s	IC HD14053BFP
IC1035	8-759-986-32	s	IC 74ACT244SJ
IC1036	-1041		
	8-759-440-94	s	IC SN74LVT245ANS
IC1042	8-759-987-82	s	IC 74AC00SJ
IC1043	8-759-672-91	s	IC MM74HC163SJX
IC1044	8-759-030-16	s	IC MC34182M
IC1045	*7 8-759-014-29	s	IC MC34184M
	*2 8-759-030-16	s	IC MC34182M
IC1046	8-759-082-57	s	IC TC7W04FU
IC1047	8-759-985-26	s	IC 74AC74SJ
IC1048	*7 8-759-082-57	s	IC TC7W04FU
IC1049	*4 8-759-234-20	s	IC TC7S08F
	*1 8-759-058-61	s	IC TC7S08FU
IC1050	8-759-926-15	s	IC SN74HC151ANS
IC1051	*7 8-759-184-64	s	IC TC4W66FU
	*3 8-759-234-77	s	IC TC4S66F
IC1052	*4 8-759-082-61	s	IC TC4W53FU
IC1053	*4 8-759-035-93	s	IC SC7S32F
IC1054	*4 8-759-234-77	s	IC TC4S66F

Ref. No. or Q'ty	Part No.	SP	Description
IC1057	*c 8-759-985-36	s	IC 74AC157SJ
IC1058	*c 8-759-985-36	s	IC 74AC157SJ
IC1095	*d 8-759-925-05	s	IC LM2903PS
IC1192	*d 8-759-239-58	s	IC TC74HC221AF
IC1193	*d 8-759-239-55	s	IC TC74HC123AF
IC1194	*d 8-759-035-93	s	IC SC7S32F
IC1196	*d 8-759-082-59	s	IC TC7W32FU
IC1197	*d 8-759-082-58	s	IC TC7W08FU
IC1198	*d 8-759-038-46	s	IC SC7S00F
L106	1-412-194-11	s	INDUCTOR, CHIP 82uH
L107	*4 1-412-177-11	s	INDUCTOR, CHIP 2.2uH
	*1 (*3)1-412-181-11	s	INDUCTOR, CHIP 4.7uH
L109	*4 1-412-174-11	s	INDUCTOR, CHIP 1.0uH
	*1 (*3)1-412-177-11	s	INDUCTOR, CHIP 2.2uH
L110	*4 1-412-143-11	s	INDUCTOR, CHIP 39uH
	*1 (*3)1-412-188-11	s	INDUCTOR, CHIP 22uH
L112	*4 1-412-188-11	s	INDUCTOR, CHIP 22uH
	*1 (*3)1-412-137-11	s	INDUCTOR, CHIP 10uH
L113	*4 1-412-177-11	s	INDUCTOR, CHIP 2.2uH
	*1 (*3)1-412-187-11	s	INDUCTOR, CHIP 18uH
L115	*4 1-412-174-11	s	INDUCTOR, CHIP 1.0uH
	*1 (*3)1-412-184-11	s	INDUCTOR, CHIP 8.2uH
L300-304	1-410-803-31	s	INDUCTOR, CHIP 0.047uH
L306	1-410-393-11	s	INDUCTOR, CHIP 100uH
L308	*1 1-410-803-31	s	INDUCTOR, CHIP 0.047uH
L309	1-410-803-31	s	INDUCTOR, CHIP 0.047uH
L310	1-410-803-31	s	INDUCTOR, CHIP 0.047uH
L500	1-410-803-31	s	INDUCTOR, CHIP 0.047uH
L501	1-410-803-31	s	INDUCTOR, CHIP 0.047uH
L504	1-410-393-11	s	INDUCTOR, CHIP 100uH
L505-507	1-410-803-31	s	INDUCTOR, CHIP 0.047uH
L508	*7 1-410-393-11	s	INDUCTOR, CHIP 100uH
L509	*7 1-410-393-11	s	INDUCTOR, CHIP 100uH
L600	*7 1-412-164-11	s	INDUCTOR, CHIP 0.12uH
	*2 1-412-139-11	s	INDUCTOR, CHIP 0.22uH
L601	*7 1-412-193-11	s	INDUCTOR, CHIP 68uH
	*2 1-412-192-11	s	INDUCTOR, CHIP 56uH
L603	*7 1-412-191-11	s	INDUCTOR, CHIP 47uH
	*2 1-412-194-11	s	INDUCTOR, CHIP 82uH
L605	*7 1-412-191-11	s	INDUCTOR, CHIP 47uH
	*2 1-412-194-11	s	INDUCTOR, CHIP 82uH
L606	*7 1-412-164-11	s	INDUCTOR, CHIP 0.12uH
	*2 1-412-139-11	s	INDUCTOR, CHIP 0.22uH
L607	*7 1-412-193-11	s	INDUCTOR, CHIP 68uH
	*2 1-412-192-11	s	INDUCTOR, CHIP 56uH
L608	*7 1-412-164-11	s	INDUCTOR, CHIP 0.12uH
	*2 1-412-139-11	s	INDUCTOR, CHIP 0.22uH
L609	*7 1-412-193-11	s	INDUCTOR, CHIP 68uH
	*2 1-412-192-11	s	INDUCTOR, CHIP 56uH

-----  
 \*1: Board No. suffix 11 only  
 \*2: Board No. suffix 11 or 12  
 \*3: Board No. suffix 12 only  
 \*4: Board No. suffix 12 or higher  
 \*7: Board No. suffix 13 or higher

-----  
 \*8: Board No. suffix 11 through 14  
 \*c: Board No. suffix 14 or higher  
 \*d: Board No. suffix 15 or higher  
 (\*?): Some mounted circuit boards within specified “\*?”



(VPR-1 BOARD for DVW-500P, suffix 11 through 17)

Ref. No. or Q'ty	Part No.	SP	Description
L616	1-410-387-11	s	INDUCTOR, CHIP 33uH
L750	1-412-526-11	s	INDUCTOR 12uH
L751	*2 1-412-526-11	s	INDUCTOR 12uH
L752	1-412-526-11	s	INDUCTOR 12uH
L753	*2 1-412-526-11	s	INDUCTOR 12uH
L754	*4 1-412-526-11	s	INDUCTOR 12uH
L755	1-412-526-11	s	INDUCTOR 12uH
L756	*2 1-412-526-11	s	INDUCTOR 12uH
L757	1-412-526-11	s	INDUCTOR 12uH
L758	*1 1-412-526-11	s	INDUCTOR 12uH
L1000	1-412-138-11	s	INDUCTOR, CHIP 100uH
L1003	1-410-393-11	s	INDUCTOR, CHIP 100uH
L1004	1-410-393-11	s	INDUCTOR, CHIP 100uH
L1005	1-410-393-11	s	INDUCTOR, CHIP 100uH
L1007	1-412-143-11	s	INDUCTOR, CHIP 39uH
L1008	1-412-188-11	s	INDUCTOR, CHIP 22uH
L1010	1-410-393-11	s	INDUCTOR, CHIP 100uH
L1011	*7 1-410-393-11	s	INDUCTOR, CHIP 100uH
L1012	1-412-137-11	s	INDUCTOR, CHIP 10uH
L1013	1-412-137-11	s	INDUCTOR, CHIP 10uH
L1014	1-410-393-11	s	INDUCTOR, CHIP 100uH
L1016-1019	1-412-191-11	s	INDUCTOR, CHIP 47uH
L1020-1024	1-410-803-31	s	INDUCTOR, CHIP 0.047uH
PS100	Δ 1-533-348-11	s	LINK, IC, CHIP 4A (For Europa model)
	Δ 1-533-272-11	s	FUSE, CHIP 4A 125V (For USA and Canada models)
Q100	8-729-140-63	s	TRANSISTOR 2SA1611-M5M6
Q101	8-729-117-32	s	TRANSISTOR 2SC4177-L6
Q102-105	8-729-140-63	s	TRANSISTOR 2SA1611-M5M6
Q106-109	8-729-117-32	s	TRANSISTOR 2SC4177-L6
Q111-115	8-729-117-32	s	TRANSISTOR 2SC4177-L6
Q116	8-729-143-07	s	TRANSISTOR 2SA1610-Y33
Q117	8-729-117-32	s	TRANSISTOR 2SC4177-L6
Q118	8-729-143-07	s	TRANSISTOR 2SA1610-Y33
Q119	8-729-106-68	s	TRANSISTOR 2SC1615A-GP
Q123-128	8-729-117-32	s	TRANSISTOR 2SC4177-L6
Q129	8-729-140-63	s	TRANSISTOR 2SA1611-M5M6
Q600	8-729-140-63	s	TRANSISTOR 2SA1611-M5M6
Q601	*7 8-729-117-32	s	TRANSISTOR 2SC4177-L6
	*2 8-729-140-63	s	TRANSISTOR 2SA1611-M5M6
Q602	8-729-140-63	s	TRANSISTOR 2SA1611-M5M6
Q603	*7 8-729-117-32	s	TRANSISTOR 2SC4177-L6
	*2 8-729-140-63	s	TRANSISTOR 2SA1611-M5M6
Q604	8-729-140-63	s	TRANSISTOR 2SA1611-M5M6
Q605	*7 8-729-117-32	s	TRANSISTOR 2SC4177-L6
	*2 8-729-140-63	s	TRANSISTOR 2SA1611-M5M6
Q606	8-729-140-63	s	TRANSISTOR 2SA1611-M5M6
Q607	*7 8-729-117-32	s	TRANSISTOR 2SC4177-L6
	*2 8-729-140-63	s	TRANSISTOR 2SA1611-M5M6
Q608	8-729-140-63	s	TRANSISTOR 2SA1611-M5M6

-----  
 \*1: Board No. suffix 11 only  
 \*2: Board No. suffix 11 or 12  
 \*4: Board No. suffix 12 or higher

(VPR-1 BOARD for DVW-500P, suffix 11 through 17)

Ref. No. or Q'ty	Part No.	SP	Description
Q609	*7 8-729-117-32	s	TRANSISTOR 2SC4177-L6
	*2 8-729-140-63	s	TRANSISTOR 2SA1611-M5M6
Q610-619	*2 8-729-140-63	s	TRANSISTOR 2SA1611-M5M6
Q750	8-729-140-63	s	TRANSISTOR 2SA1611-M5M6
Q1000	8-729-140-63	s	TRANSISTOR 2SA1611-M5M6
Q1001	8-729-140-63	s	TRANSISTOR 2SA1611-M5M6
Q1002	8-729-143-07	s	TRANSISTOR 2SA1610-Y33
Q1003	8-729-143-07	s	TRANSISTOR 2SA1610-Y33
Q1004	8-729-140-63	s	TRANSISTOR 2SA1611-M5M6
Q1005	8-729-140-63	s	TRANSISTOR 2SA1611-M5M6
Q1006	8-729-140-63	s	TRANSISTOR 2SA1611-M5M6
Q1007	8-729-905-18	s	TRANSISTOR DTC144EU
Q1008	*7 8-729-117-32	s	TRANSISTOR 2SC4177-L6
Q1009	*7 8-729-140-63	s	TRANSISTOR 2SA1611-M5M6
Q1010	*7 8-729-117-32	s	TRANSISTOR 2SC4177-L6
Q1011	*7 8-729-117-32	s	TRANSISTOR 2SC4177-L6
	*2 8-729-907-26	s	TRANSISTOR IMX1
Q1012	8-729-117-32	s	TRANSISTOR 2SC4177-L6
Q1013	*a 8-729-905-12	s	TRANSISTOR DTA144EU
R100	1-216-025-00	s	METAL, CHIP 100 5% 1/10W (2125)
R101	1-216-675-11	s	METAL, CHIP 10K 0.5% 1/10W (2125)
R102	1-216-065-00	s	METAL, CHIP 4.7K 5% 1/10W (2125)
R103	1-216-017-00	s	METAL, CHIP 47 5% 1/10W (2125)
R104	1-208-774-11	s	METAL, CHIP 470 0.5% 1/10W (2125)
R105	1-216-017-00	s	METAL, CHIP 47 5% 1/10W (2125)
R106	1-216-624-11	s	METAL, CHIP 75 0.5% 1/10W (2125)
R107	1-216-017-00	s	METAL, CHIP 47 5% 1/10W (2125)
R108	1-216-624-11	s	METAL, CHIP 75 0.5% 1/10W (2125)
R109	1-216-017-00	s	METAL, CHIP 47 5% 1/10W (2125)
R110	1-216-624-11	s	METAL, CHIP 75 0.5% 1/10W (2125)
R111	1-216-049-00	s	METAL, CHIP 1.0K 5% 1/10W (2125)
R112	1-216-053-00	s	METAL, CHIP 1.5K 5% 1/10W (2125)
R113	1-208-774-11	s	METAL, CHIP 470 0.5% 1/10W (2125)
R114	1-216-053-00	s	METAL, CHIP 1.5K 5% 1/10W (2125)
R115	1-208-774-11	s	METAL, CHIP 470 0.5% 1/10W (2125)
R116	1-216-631-11	s	METAL, CHIP 150 0.5% 1/10W (2125)
R117	1-216-049-00	s	METAL, CHIP 1.0K 5% 1/10W (2125)
R118	1-216-631-11	s	METAL, CHIP 150 0.5% 1/10W (2125)
R119	1-208-774-11	s	METAL, CHIP 470 0.5% 1/10W (2125)
R120	1-208-774-11	s	METAL, CHIP 470 0.5% 1/10W (2125)
R121-123	*7 1-216-049-00	s	METAL, CHIP 1.0K 5% 1/10W (2125)
	*2 1-216-651-11	s	METAL, CHIP 1.0K 0.5% 1/10W (2125)
R124	1-216-617-11	s	METAL, CHIP 39 0.5% 1/10W (2125)
R125	1-216-617-11	s	METAL, CHIP 39 0.5% 1/10W (2125)
R126	1-216-621-11	s	METAL, CHIP 56 0.5% 1/10W (2125)
R127	1-216-049-00	s	METAL, CHIP 1.0K 5% 1/10W (2125)
R128	1-216-639-11	s	METAL, CHIP 330 0.5% 1/10W (2125)
R129	1-216-639-11	s	METAL, CHIP 330 0.5% 1/10W (2125)
R130	1-208-774-11	s	METAL, CHIP 470 0.5% 1/10W (2125)
R131	1-216-639-11	s	METAL, CHIP 330 0.5% 1/10W (2125)
R132	1-216-659-11	s	METAL, CHIP 2.2K 0.5% 1/10W (2125)
R133	1-216-635-11	s	METAL, CHIP 220 0.5% 1/10W (2125)

-----  
 \*7: Board No. suffix 13 or higher  
 \*a: Board No. suffix 13 or 14

(VPR-1 BOARD for DVW-500P, suffix 11 through 17)

(VPR-1 BOARD for DVW-500P, suffix 11 through 17)

Ref. No. or Q'ty	Part No.	SP	Description
R134	1-216-659-11	s	METAL, CHIP 2.2K 0.5% 1/10W
R135	1-216-635-11	s	METAL, CHIP 220 0.5% 1/10W (2125)
R136	1-216-659-11	s	METAL, CHIP 2.2K 0.5% 1/10W
R137	1-216-635-11	s	METAL, CHIP 220 0.5% 1/10W
R138	1-216-661-11	s	METAL, CHIP 2.7K 0.5% 1/10W
R139-141	1-216-667-11	s	METAL, CHIP 4.7K 0.5% 1/10W
R142-144	1-216-025-00	s	METAL, CHIP 100 5% 1/10W (2125)
R145	*4 1-216-678-11	s	METAL, CHIP 13K 0.5% 1/10W (2125)
	*1 (*3)1-216-697-11	s	METAL, CHIP 82K 0.5% 1/10W (2125)
R146	*7 1-216-687-11	s	METAL, CHIP 33K 0.5% 1/10W (2125)
	*2 1-216-675-11	s	METAL, CHIP 10K 0.5% 1/10W
R147	*2 1-216-675-11	s	METAL, CHIP 10K 0.5% 1/10W
R148	*4 1-216-678-11	s	METAL, CHIP 13K 0.5% 1/10W
	*1 (*3)1-216-697-11	s	METAL, CHIP 82K 0.5% 1/10W (2125)
R149	*7 1-216-049-00	s	METAL, CHIP 1.0K 5% 1/10W (2125)
	*2 1-216-675-11	s	METAL, CHIP 10K 0.5% 1/10W (2125)
R150	*4 1-216-675-11	s	METAL, CHIP 10K 0.5% 1/10W
	*1 (*3)1-216-699-11	s	METAL, CHIP 100K 0.5% 1/10W
R151	1-216-667-11	s	METAL, CHIP 4.7K 0.5% 1/10W
R152-154	1-216-041-00	s	METAL, CHIP 470 5% 1/10W (2125)
R155	*7 1-216-619-11	s	METAL, CHIP 47 0.5% 1/10W (2125)
	*2 1-216-617-11	s	METAL, CHIP 39 0.5% 1/10W (2125)
R156	1-216-627-11	s	METAL, CHIP 100 0.5% 1/10W (2125)
R157	1-216-017-00	s	METAL, CHIP 47 5% 1/10W (2125)
R158	1-216-627-11	s	METAL, CHIP 100 0.5% 1/10W (2125)
R159	1-216-057-00	s	METAL, CHIP 2.2K 5% 1/10W (2125)
R160	1-216-017-00	s	METAL, CHIP 47 5% 1/10W (2125)
R161	1-216-057-00	s	METAL, CHIP 2.2K 5% 1/10W (2125)
R162	1-216-017-00	s	METAL, CHIP 47 5% 1/10W (2125)
R163	1-216-057-00	s	METAL, CHIP 2.2K 5% 1/10W (2125)
R164	1-216-073-00	s	METAL, CHIP 10K 5% 1/10W (2125)
R165	1-216-057-00	s	METAL, CHIP 2.2K 5% 1/10W (2125)
R166	1-208-775-11	s	METAL, CHIP 510 0.5% 1/10W (2125)
R167	1-208-784-11	s	METAL, CHIP 1.2K 0.5% 1/10W
R168	1-208-775-11	s	METAL, CHIP 510 0.5% 1/10W
R169	1-216-057-00	s	METAL, CHIP 2.2K 5% 1/10W (2125)
R170	1-216-639-11	s	METAL, CHIP 330 0.5% 1/10W (2125)
R171	1-216-057-00	s	METAL, CHIP 2.2K 5% 1/10W (2125)
R172	1-216-057-00	s	METAL, CHIP 2.2K 5% 1/10W (2125)
R173	*7 1-216-073-00	s	METAL, CHIP 10K 5% 1/10W (2125)
	*2 1-216-121-00	s	METAL, CHIP 1.0M 5% 1/10W (2125)
R174	*7 1-216-675-11	s	METAL, CHIP 10K 0.5% 1/10W (2125)
	*2 1-216-121-00	s	METAL, CHIP 1.0M 5% 1/10W (2125)
R175	1-216-121-00	s	METAL, CHIP 1.0M 5% 1/10W (2125)
R176	1-216-073-00	s	METAL, CHIP 10K 5% 1/10W (2125)
R177	*7 1-216-041-00	s	METAL, CHIP 470 5% 1/10W (2125)
	*2 1-216-675-11	s	METAL, CHIP 10K 0.5% 1/10W (2125)
R178	*7 1-216-065-00	s	METAL, CHIP 4.7K 5% 1/10W (2125)
	*2 1-216-675-11	s	METAL, CHIP 10K 0.5% 1/10W (2125)
R179	*7 1-216-121-00	s	METAL, CHIP 1.0M 5% 1/10W (2125)
	*2 1-216-675-11	s	METAL, CHIP 10K 0.5% 1/10W (2125)
R180	*7 1-216-049-00	s	METAL, CHIP 1.0K 5% 1/10W (2125)
	*2 1-216-675-11	s	METAL, CHIP 10K 0.5% 1/10W

Ref. No. or Q'ty	Part No.	SP	Description
R181	1-216-675-11	s	METAL, CHIP 10K 0.5% 1/10W (2125)
R182	*7 1-216-041-00	s	METAL, CHIP 470 5% 1/10W (2125)
	*2 1-216-675-11	s	METAL, CHIP 10K 0.5% 1/10W (2125)
R183	*7 1-216-049-00	s	METAL, CHIP 1.0K 5% 1/10W (2125)
	*2 1-216-079-00	s	METAL, CHIP 18K 5% 1/10W (2125)
R184	1-216-065-00	s	METAL, CHIP 4.7K 5% 1/10W (2125)
R185	1-216-651-11	s	METAL, CHIP 1.0K 0.5% 1/10W (2125)
R186	1-216-661-11	s	METAL, CHIP 2.7K 0.5% 1/10W (2125)
R187	1-216-651-11	s	METAL, CHIP 1.0K 0.5% 1/10W (2125)
R188-190	1-216-081-00	s	METAL, CHIP 22K 5% 1/10W (2125)
R191	*4 1-216-029-00	s	METAL, CHIP 150 5% 1/10W (2125)
	*1 (*3)1-216-041-00	s	METAL, CHIP 470 5% 1/10W (2125)
R192	1-216-017-00	s	METAL, CHIP 47 5% 1/10W (2125)
R193	1-208-800-11	s	METAL, CHIP 5.6K 0.5% 1/10W (2125)
R194	1-216-665-11	s	METAL, CHIP 3.9K 0.5% 1/10W (2125)
R195	1-216-665-11	s	METAL, CHIP 3.9K 0.5% 1/10W (2125)
R196	1-216-633-11	s	METAL, CHIP 180 0.5% 1/10W (2125)
R197	1-216-659-11	s	METAL, CHIP 2.2K 0.5% 1/10W (2125)
R198	1-216-645-11	s	METAL, CHIP 560 0.5% 1/10W (2125)
R199	1-216-650-11	s	METAL, CHIP 910 0.5% 1/10W (2125)
R200	1-216-651-11	s	METAL, CHIP 1.0K 0.5% 1/10W (2125)
R201	1-208-800-11	s	METAL, CHIP 5.6K 0.5% 1/10W (2125)
R202	1-216-679-11	s	METAL, CHIP 15K 0.5% 1/10W (2125)
R203	1-216-659-11	s	METAL, CHIP 2.2K 0.5% 1/10W (2125)
R204	1-216-645-11	s	METAL, CHIP 560 0.5% 1/10W (2125)
R205	1-216-650-11	s	METAL, CHIP 910 0.5% 1/10W (2125)
R206	1-216-675-11	s	METAL, CHIP 10K 0.5% 1/10W (2125)
R207-209	1-208-774-11	s	METAL, CHIP 470 0.5% 1/10W (2125)
R210	1-216-675-11	s	METAL, CHIP 10K 0.5% 1/10W (2125)
R211	1-208-774-11	s	METAL, CHIP 470 0.5% 1/10W (2125)
R212	1-216-041-00	s	METAL, CHIP 470 5% 1/10W (2125)
R213	*7 1-208-824-11	s	METAL, CHIP 56K 0.5% 1/10W (2125)
	*2 1-208-822-11	s	METAL, CHIP 47K 0.5% 1/10W (2125)
R214	*7 1-208-824-11	s	METAL, CHIP 56K 0.5% 1/10W (2125)
	*2 1-208-822-11	s	METAL, CHIP 47K 0.5% 1/10W (2125)
R215	1-216-679-11	s	METAL, CHIP 15K 0.5% 1/10W (2125)
R216	1-216-025-00	s	METAL, CHIP 100 5% 1/10W (2125)
R217	1-208-774-11	s	METAL, CHIP 470 0.5% 1/10W (2125)
R218	1-208-774-11	s	METAL, CHIP 470 0.5% 1/10W (2125)
R219	*7 1-216-133-00	s	METAL, CHIP 3.3M 5% 1/10W (2125)
	*3 1-216-073-00	s	METAL, CHIP 10K 5% 1/10W (2125)
R220	*7 1-216-133-00	s	METAL, CHIP 3.3M 5% 1/10W (2125)
	*3 1-216-121-00	s	METAL, CHIP 1.0M 5% 1/10W (2125)
R221	*3 1-216-061-00	s	METAL, CHIP 3.3K 5% 1/10W (2125)
R222	*4 1-216-121-00	s	METAL, CHIP 1.0M 5% 1/10W (2125)
	*1 1-247-903-00	s	CARBON 1.0M 5% 1/4W
R223	*7 1-208-775-11	s	METAL, CHIP 510 0.5% 1/10W (2125)
	(*h)1-208-775-11	s	METAL, CHIP 510 0.5% 1/10W (2125)
R224	*4 1-216-651-11	s	METAL, CHIP 1.0K 0.5% 1/10W (2125)
	*1 (*3)1-216-667-11	s	METAL, CHIP 4.7K 0.5% 1/10W (2125)
R225	*4 1-208-789-11	s	METAL, CHIP 2.0K 0.5% 1/10W (2125)
	*1 (*3)1-216-675-11	s	METAL, CHIP 10K 0.5% 1/10W (2125)

-----  
 \*1: Board No. suffix 11 only  
 \*2: Board No. suffix 11 or 12  
 \*3: Board No. suffix 12 only  
 \*4: Board No. suffix 12 or higher

-----  
 \*7: Board No. suffix 13 or higher  
 \*h: LOT No. 309 through 312  
 (\*?): Some mounted circuit boards within specified “\*?”

(VPR-1 BOARD for DVW-500P, suffix 11 through 17)

(VPR-1 BOARD for DVW-500P, suffix 11 through 17)

Ref. No. or Q'ty	Part No.	SP	Description
R226	*7 1-208-775-11	s	METAL, CHIP 510 0.5% 1/10W (2125)
	(*h)1-208-775-11	s	METAL, CHIP 510 0.5% 1/10W (2125)
R227	*4 1-208-814-11	s	METAL, CHIP 22K 0.5% 1/10W
	*1 (*3)1-216-666-11	s	METAL, CHIP 4.3K 0.5% 1/10W
R228	*4 1-208-814-11	s	METAL, CHIP 22K 0.5% 1/10W (2125)
	*1 (*3)1-216-666-11	s	METAL, CHIP 4.3K 0.5% 1/10W
R229	*4 1-216-651-11	s	METAL, CHIP 1.0K 0.5% 1/10W
	*1 (*3)1-216-667-11	s	METAL, CHIP 4.7K 0.5% 1/10W
R230	*4 1-208-789-11	s	METAL, CHIP 2.0K 0.5% 1/10W
	*1 (*3)1-216-675-11	s	METAL, CHIP 10K 0.5% 1/10W (2125)
R231,232			
	*4 1-208-814-11	s	METAL, CHIP 22K 0.5% 1/10W (2125)
	*1 (*3)1-216-666-11	s	METAL, CHIP 4.3K 0.5% 1/10W
R233	*7 1-216-675-11	s	METAL, CHIP 10K 0.5% 1/10W (2125)
R234	*7 1-216-121-00	s	METAL, CHIP 1.0M 5% 1/10W (2125)
R235	*7 1-216-041-00	s	METAL, CHIP 470 5% 1/10W (2125)
R236	*7 1-216-065-00	s	METAL, CHIP 4.7K 5% 1/10W (2125)
R260	1-216-295-00	s	METAL, CHIP 0 (2125)
R274-281	1-216-025-00	s	METAL, CHIP 100 5% 1/10W (2125)
R282	1-216-649-11	s	METAL, CHIP 820 0.5% 1/10W (2125)
R290	*d 1-216-295-00	s	METAL, CHIP 0 (2125)
R291	1-216-295-00	s	METAL, CHIP 0 (2125)
R294	1-216-295-00	s	METAL, CHIP 0 (2125)
R302	1-216-033-00	s	METAL, CHIP 220 5% 1/10W (2125)
R308	1-216-033-00	s	METAL, CHIP 220 5% 1/10W (2125)
R310	*r 1-249-417-11	s	CARBON 1.0K 5% 1/4W
R314	1-216-033-00	s	METAL, CHIP 220 5% 1/10W (2125)
R344	*1 1-216-295-00	s	METAL, CHIP 0 (2125)
R346	*1 1-216-295-00	s	METAL, CHIP 0 (2125)
R347	*1 1-216-295-00	s	METAL, CHIP 0 (2125)
R351	*5 1-216-025-00	s	METAL, CHIP 100 5% 1/10W (2125)
R352	*5 1-216-025-00	s	METAL, CHIP 100 5% 1/10W (2125)
R403	*7 1-216-295-00	s	METAL, CHIP 0 (2125)
R404	*7 1-216-073-00	s	METAL, CHIP 10K 5% 1/10W (2125)
R405	*7 1-216-073-00	s	METAL, CHIP 10K 5% 1/10W (2125)
R409	1-216-049-00	s	METAL, CHIP 1.0K 5% 1/10W (2125)
R411	1-216-295-00	s	METAL, CHIP 0 (2125)
R415	1-216-295-00	s	METAL, CHIP 0 (2125)
R416	1-216-295-00	s	METAL, CHIP 0 (2125)
R423	1-216-295-00	s	METAL, CHIP 0 (2125)
R424	1-216-089-00	s	METAL, CHIP 47K 5% 1/10W (2125)
R439	1-216-073-00	s	METAL, CHIP 10K 5% 1/10W (2125)
R493	1-216-025-00	s	METAL, CHIP 100 5% 1/10W (2125)
R494	*5 1-216-025-00	s	METAL, CHIP 100 5% 1/10W (2125)
R500-502	1-216-033-00	s	METAL, CHIP 220 5% 1/10W (2125)
R503	*7 1-216-017-00	s	METAL, CHIP 47 5% 1/10W (2125)
	*1 1-216-295-00	s	METAL, CHIP 0 (2125)
R504	*1 1-216-295-00	s	METAL, CHIP 0 (2125)
R505	*7 1-216-295-00	s	METAL, CHIP 0 (2125)
R517	*d 1-216-295-00	s	METAL, CHIP 0 (2125)
R521	*d 1-216-295-00	s	METAL, CHIP 0 (2125)
R524	*d 1-216-295-00	s	METAL, CHIP 0 (2125)
R527	*7 1-216-689-11	s	METAL, CHIP 39K 0.5% 1/10W (2125)
R528	*7 1-208-784-11	s	METAL, CHIP 1.2K 0.5% 1/10W

Ref. No. or Q'ty	Part No.	SP	Description
R529	*7 1-208-784-11	s	METAL, CHIP 1.2K 0.5% 1/10W (2125)
R530	*7 1-216-667-11	s	METAL, CHIP 4.7K 0.5% 1/10W (2125)
	*1 1-216-295-00	s	METAL, CHIP 0 (2125)
R531	*7 1-216-631-11	s	METAL, CHIP 150 0.5% 1/10W (2125)
R532	*7 1-208-785-11	s	METAL, CHIP 1.3K 0.5% 1/10W (2125)
R533	*7 1-208-789-11	s	METAL, CHIP 2.0K 0.5% 1/10W (2125)
	*1 1-216-295-00	s	METAL, CHIP 0 (2125)
R534	*7 1-216-649-11	s	METAL, CHIP 820 0.5% 1/10W (2125)
R535	*7 1-208-784-11	s	METAL, CHIP 1.2K 0.5% 1/10W (2125)
R536	*7 1-216-657-11	s	METAL, CHIP 1.8K 0.5% 1/10W (2125)
R537	*7 1-216-689-11	s	METAL, CHIP 39K 0.5% 1/10W (2125)
R538	*7 1-216-667-11	s	METAL, CHIP 4.7K 0.5% 1/10W (2125)
R539	*7 1-216-631-11	s	METAL, CHIP 150 0.5% 1/10W (2125)
R540	*7 1-208-785-11	s	METAL, CHIP 1.3K 0.5% 1/10W (2125)
R541	*7 1-216-649-11	s	METAL, CHIP 820 0.5% 1/10W (2125)
R542	*7 1-208-784-11	s	METAL, CHIP 1.2K 0.5% 1/10W (2125)
R543	1-216-295-00	s	METAL, CHIP 0 (2125)
R545	1-216-017-00	s	METAL, CHIP 47 5% 1/10W (2125)
R546	1-216-017-00	s	METAL, CHIP 47 5% 1/10W (2125)
R548	*4 1-216-017-00	s	METAL, CHIP 47 5% 1/10W (2125)
R549	1-216-017-00	s	METAL, CHIP 47 5% 1/10W (2125)
R550	*4 1-216-295-00	s	METAL, CHIP 0 (2125)
	*1 1-216-073-00	s	METAL, CHIP 10K 5% 1/10W (2125)
R553	*4 1-216-295-00	s	METAL, CHIP 0 (2125)
	*1 1-216-073-00	s	METAL, CHIP 10K 5% 1/10W (2125)
R554	1-216-017-00	s	METAL, CHIP 47 5% 1/10W (2125)
R555	*9 1-216-113-00	s	METAL, CHIP 470K 5% 1/10W (2125)
R556	*4 1-208-784-11	s	METAL, CHIP 1.2K 0.5% 1/10W (2125)
R557-560	1-216-017-00	s	METAL, CHIP 47 5% 1/10W (2125)
R561	1-216-667-11	s	METAL, CHIP 4.7K 0.5% 1/10W (2125)
	(*1)1-216-675-11	s	METAL, CHIP 10K 0.5% 1/10W (2125)
R562	1-216-073-00	s	METAL, CHIP 10K 5% 1/10W (2125)
R563	1-216-073-00	s	METAL, CHIP 10K 5% 1/10W (2125)
R564	1-216-675-11	s	METAL, CHIP 10K 0.5% 1/10W (2125)
R565	1-216-121-00	s	METAL, CHIP 1.0M 5% 1/10W (2125)
R566	1-216-025-00	s	METAL, CHIP 100 5% 1/10W (2125)
R567	1-216-295-00	s	METAL, CHIP 0 (2125)
R570	1-216-025-00	s	METAL, CHIP 100 5% 1/10W (2125)
R572	*7 1-216-667-11	s	METAL, CHIP 4.7K 0.5% 1/10W (2125)
R573	*7 1-216-631-11	s	METAL, CHIP 150 0.5% 1/10W (2125)
R574	*7 1-208-785-11	s	METAL, CHIP 1.3K 0.5% 1/10W (2125)
R575	*7 1-208-789-11	s	METAL, CHIP 2.0K 0.5% 1/10W (2125)
R576	*7 1-216-649-11	s	METAL, CHIP 820 0.5% 1/10W (2125)
R577	*7 1-208-784-11	s	METAL, CHIP 1.2K 0.5% 1/10W (2125)
R578	*7 1-216-689-11	s	METAL, CHIP 39K 0.5% 1/10W (2125)
R579	*7 1-216-667-11	s	METAL, CHIP 4.7K 0.5% 1/10W (2125)
R580	*7 1-216-631-11	s	METAL, CHIP 150 0.5% 1/10W (2125)
R581	*7 1-208-785-11	s	METAL, CHIP 1.3K 0.5% 1/10W (2125)
R582	*7 1-208-789-11	s	METAL, CHIP 2.0K 0.5% 1/10W (2125)
R583	*7 1-216-649-11	s	METAL, CHIP 820 0.5% 1/10W (2125)
R584	1-216-073-00	s	METAL, CHIP 10K 5% 1/10W (2125)
R585	*7 1-208-784-11	s	METAL, CHIP 1.2K 0.5% 1/10W (2125)
R586	*7 1-208-817-11	s	METAL, CHIP 30K 0.5% 1/10W (2125)
R587	*7 1-216-667-11	s	METAL, CHIP 4.7K 0.5% 1/10W (2125)
R588	*7 1-216-631-11	s	METAL, CHIP 150 0.5% 1/10W (2125)
R589	*7 1-208-785-11	s	METAL, CHIP 1.3K 0.5% 1/10W (2125)

-----  
 \*1: Board No. suffix 11 only  
 \*3: Board No. suffix 12 only  
 \*4: Board No. suffix 12 or higher  
 \*5: Board No. suffix 11, 12, or 13  
 \*7: Board No. suffix 13 or higher

-----  
 \*9: Board No. suffix 12, 13, or 14  
 \*d: Board No. suffix 15 or higher  
 \*h: LOT No. 309 through 312  
 \*r: LOT No. 709 or higher  
 (\*?): Some mounted circuit boards within specified "\*?"

(VPR-1 BOARD for DVW-500P, suffix 11 through 17)

Ref. No. or Q'ty	Part No.	SP	Description
R590	*7 1-216-649-11	s	METAL, CHIP 820 0.5% 1/10W (2125)
R591	*7 1-208-784-11	s	METAL, CHIP 1.2K 0.5% 1/10W
R592	*7 1-208-789-11	s	METAL, CHIP 2.0K 0.5% 1/10W
R593	*4 1-216-073-00	s	METAL, CHIP 10K 5% 1/10W (2125)
R594-596	*2 1-216-057-00	s	METAL, CHIP 2.2K 5% 1/10W (2125)
R597	*7 1-216-657-11	s	METAL, CHIP 1.8K 0.5% 1/10W
	*2 1-216-057-00	s	METAL, CHIP 2.2K 5% 1/10W (2125)
R598	*7 1-208-789-11	s	METAL, CHIP 2.0K 0.5% 1/10W
	*2 1-216-057-00	s	METAL, CHIP 2.2K 5% 1/10W (2125)
R599	*2 1-216-635-11	s	METAL, CHIP 220 0.5% 1/10W (2125)
R600	*7 1-208-784-11	s	METAL, CHIP 1.2K 0.5% 1/10W
	*2 1-216-659-11	s	METAL, CHIP 2.2K 0.5% 1/10W
R601	*7 1-208-784-11	s	METAL, CHIP 1.2K 0.5% 1/10W
	*2 1-216-661-11	s	METAL, CHIP 2.7K 0.5% 1/10W
R602	*7 1-208-784-11	s	METAL, CHIP 1.2K 0.5% 1/10W
	*2 1-216-659-11	s	METAL, CHIP 2.2K 0.5% 1/10W
R603-605	*7 1-208-784-11	s	METAL, CHIP 1.2K 0.5% 1/10W
	*2 1-216-661-11	s	METAL, CHIP 2.7K 0.5% 1/10W
R606	*c 1-216-073-00	s	METAL, CHIP 10K 5% 1/10W (2125)
	*5 1-216-671-11	s	METAL, CHIP 6.8K 0.5% 1/10W
R607	*2 1-216-663-11	s	METAL, CHIP 3.3K 0.5% 1/10W
R608	*2 1-216-663-11	s	METAL, CHIP 3.3K 0.5% 1/10W
R609	*c 1-216-073-00	s	METAL, CHIP 10K 5% 1/10W (2125)
	*5 1-216-671-11	s	METAL, CHIP 6.8K 0.5% 1/10W
R610	*c 1-216-651-11	s	METAL, CHIP 1.0K 0.5% 1/10W
	*5 1-216-659-11	s	METAL, CHIP 2.2K 0.5% 1/10W
R611	*5 1-216-661-11	s	METAL, CHIP 2.7K 0.5% 1/10W
R612	*c 1-216-073-00	s	METAL, CHIP 10K 5% 1/10W (2125)
	*5 1-216-671-11	s	METAL, CHIP 6.8K 0.5% 1/10W
R613	*5 1-216-661-11	s	METAL, CHIP 2.7K 0.5% 1/10W
R614	*5 1-216-663-11	s	METAL, CHIP 3.3K 0.5% 1/10W
R615	1-216-657-11	s	METAL, CHIP 1.8K 0.5% 1/10W
R616	1-208-784-11	s	METAL, CHIP 1.2K 0.5% 1/10W
R617	1-216-657-11	s	METAL, CHIP 1.8K 0.5% 1/10W
R618	*7 1-216-651-11	s	METAL, CHIP 1.0K 0.5% 1/10W
	*2 1-216-659-11	s	METAL, CHIP 2.2K 0.5% 1/10W
R619	*7 1-216-617-11	s	METAL, CHIP 39 0.5% 1/10W (2125)
	*2 1-216-631-11	s	METAL, CHIP 150 0.5% 1/10W (2125)
R620-622	1-216-631-11	s	METAL, CHIP 150 0.5% 1/10W (2125)
R623	*7 1-216-603-11	s	METAL, CHIP 10 0.5% 1/10W (2125)
	*2 1-216-607-11	s	METAL, CHIP 15 0.5% 1/10W (2125)
R624	*7 1-216-613-11	s	METAL, CHIP 27 0.5% 1/10W (2125)
	*3 1-216-608-11	s	METAL, CHIP 16 0.5% 1/10W (2125)
	*1 1-216-623-11	s	METAL, CHIP 68 0.5% 1/10W (2125)
	(*1)1-216-611-11	s	METAL, CHIP 22 0.5% 1/10W (2125)
R625	*7 1-216-661-11	s	METAL, CHIP 2.7K 0.5% 1/10W
	*2 1-208-789-11	s	METAL, CHIP 2.0K 0.5% 1/10W
R626	*7 1-216-049-00	s	METAL, CHIP 1.0K 5% 1/10W (2125)
	*2 1-216-647-11	s	METAL, CHIP 680 0.5% 1/10W

-----  
 \*1: Board No. suffix 11 only  
 \*2: Board No. suffix 11 or 12  
 \*3: Board No. suffix 12 only  
 \*4: Board No. suffix 12 or higher

(VPR-1 BOARD for DVW-500P, suffix 11 through 17)

Ref. No. or Q'ty	Part No.	SP	Description
R627	*7 1-216-666-11	s	METAL, CHIP 4.3K 0.5% 1/10W (2125)
	*2 1-216-647-11	s	METAL, CHIP 680 0.5% 1/10W (2125)
R628	*7 1-208-801-11	s	METAL, CHIP 6.2K 0.5% 1/10W (2125)
	*2 1-216-667-11	s	METAL, CHIP 4.7K 0.5% 1/10W (2125)
R629	*4 1-216-685-11	s	METAL, CHIP 27K 0.5% 1/10W (2125)
	*1 1-216-689-11	s	METAL, CHIP 39K 0.5% 1/10W (2125)
R630	*7 1-216-625-11	s	METAL, CHIP 82 0.5% 1/10W (2125)
	*2 1-216-675-11	s	METAL, CHIP 10K 0.5% 1/10W (2125)
R631	*7 1-216-295-00	s	METAL, CHIP 0 (2125)
	*2 1-216-057-00	s	METAL, CHIP 2.2K 5% 1/10W (2125)
R632	*7 1-216-651-11	s	METAL, CHIP 1.0K 0.5% 1/10W (2125)
	*2 1-216-659-11	s	METAL, CHIP 2.2K 0.5% 1/10W (2125)
R633	*7 1-216-617-11	s	METAL, CHIP 39 0.5% 1/10W (2125)
	*2 1-216-631-11	s	METAL, CHIP 150 0.5% 1/10W (2125)
R634-636	1-216-631-11	s	METAL, CHIP 150 0.5% 1/10W (2125)
R637	*7 1-216-603-11	s	METAL, CHIP 10 0.5% 1/10W (2125)
	*2 1-216-607-11	s	METAL, CHIP 15 0.5% 1/10W (2125)
R638	*7 1-216-049-00	s	METAL, CHIP 1.0K 5% 1/10W (2125)
	*2 1-216-635-11	s	METAL, CHIP 220 0.5% 1/10W (2125)
R639	*7 1-208-789-11	s	METAL, CHIP 2.0K 0.5% 1/10W (2125)
	*2 1-216-661-11	s	METAL, CHIP 2.7K 0.5% 1/10W (2125)
R640	*7 1-208-801-11	s	METAL, CHIP 6.2K 0.5% 1/10W (2125)
	*2 1-216-647-11	s	METAL, CHIP 680 0.5% 1/10W (2125)
R641	*7 1-216-666-11	s	METAL, CHIP 4.3K 0.5% 1/10W (2125)
	*2 1-216-647-11	s	METAL, CHIP 680 0.5% 1/10W (2125)
R642	*4 1-216-679-11	s	METAL, CHIP 15K 0.5% 1/10W (2125)
R643-645	*7 1-216-133-00	s	METAL, CHIP 3.3M 5% 1/10W (2125)
	*2 1-216-113-00	s	METAL, CHIP 470K 5% 1/10W (2125)
R646	1-216-049-00	s	METAL, CHIP 1.0K 5% 1/10W (2125)
R647-649	*7 1-216-069-00	s	METAL, CHIP 6.8K 5% 1/10W (2125)
	*2 1-216-049-00	s	METAL, CHIP 1.0K 5% 1/10W (2125)
R650	1-216-049-00	s	METAL, CHIP 1.0K 5% 1/10W (2125)
R651	1-216-049-00	s	METAL, CHIP 1.0K 5% 1/10W (2125)
R652	*7 1-216-049-00	s	METAL, CHIP 1.0K 5% 1/10W (2125)
	*1 1-216-049-00	s	METAL, CHIP 1.0K 5% 1/10W (2125)
R652A	*3 1-214-557-00	s	METAL 1.0K 1% 1/8W
R653	1-216-049-00	s	METAL, CHIP 1.0K 5% 1/10W (2125)
R654	1-216-049-00	s	METAL, CHIP 1.0K 5% 1/10W (2125)
R655	*7 1-216-625-11	s	METAL, CHIP 82 0.5% 1/10W (2125)
	*2 1-216-667-11	s	METAL, CHIP 4.7K 0.5% 1/10W (2125)
R656	*7 1-216-295-00	s	METAL, CHIP 0 (2125)
	*2 1-216-675-11	s	METAL, CHIP 10K 0.5% 1/10W (2125)
R657	*2 1-216-057-00	s	METAL, CHIP 2.2K 5% 1/10W (2125)
R658	*7 1-216-651-11	s	METAL, CHIP 1.0K 0.5% 1/10W (2125)
	*2 1-216-659-11	s	METAL, CHIP 2.2K 0.5% 1/10W (2125)
R659	*7 1-216-617-11	s	METAL, CHIP 39 0.5% 1/10W (2125)
	*2 1-216-631-11	s	METAL, CHIP 150 0.5% 1/10W (2125)

-----  
 \*5: Board No. suffix 11, 12, or 13  
 \*7: Board No. suffix 13 or higher  
 \*c: Board No. suffix 14 or higher  
 (\*?): Some mounted circuit boards within specified “\*?”

(VPR-1 BOARD for DVW-500P, suffix 11 through 17)

Ref. No. or Q'ty	Part No.	SP	Description
R660	1-216-631-11	s	METAL, CHIP 150 0.5% 1/10W (2125)
R661-663	1-216-017-00	s	METAL, CHIP 47 5% 1/10W (2125)
R664	*7 1-216-619-11	s	METAL, CHIP 47 0.5% 1/10W (2125)
	*3 1-216-295-00	s	METAL, CHIP 0 (2125)
	*1 1-216-615-11	s	METAL, CHIP 33 0.5% 1/10W (2125)
R665	*7 1-216-619-11	s	METAL, CHIP 47 0.5% 1/10W (2125)
	*2 1-216-615-11	s	METAL, CHIP 33 0.5% 1/10W (2125)
R666	*7 1-216-619-11	s	METAL, CHIP 47 0.5% 1/10W (2125)
	*2 1-216-615-11	s	METAL, CHIP 33 0.5% 1/10W (2125)
R667	*7 1-208-784-11	s	METAL, CHIP 1.2K 0.5% 1/10W
	*2 1-216-659-11	s	METAL, CHIP 2.2K 0.5% 1/10W
R668	*7 1-208-784-11	s	METAL, CHIP 1.2K 0.5% 1/10W
	*2 1-216-661-11	s	METAL, CHIP 2.7K 0.5% 1/10W
R669	*c 1-216-651-11	s	METAL, CHIP 1.0K 0.5% 1/10W
	*5 1-216-659-11	s	METAL, CHIP 2.2K 0.5% 1/10W
R670	*5 1-216-661-11	s	METAL, CHIP 2.7K 0.5% 1/10W
R671	*7 1-216-689-11	s	METAL, CHIP 39K 0.5% 1/10W
	*2 1-216-661-11	s	METAL, CHIP 2.7K 0.5% 1/10W
R672	*5 1-216-661-11	s	METAL, CHIP 2.7K 0.5% 1/10W
R673,674	*c 1-216-073-00	s	METAL, CHIP 10K 5% 1/10W (2125)
	*6 1-218-772-11	s	METAL, CHIP 680K 0.5% 1/10W
	*2 1-216-671-11	s	METAL, CHIP 6.8K 0.5% 1/10W
R675,676	*6 1-218-764-11	s	METAL, CHIP 330K 0.5% 1/10W
	*2 1-216-663-11	s	METAL, CHIP 3.3K 0.5% 1/10W
R677	1-216-665-11	s	METAL, CHIP 3.9K 0.5% 1/10W
R678-681	1-208-784-11	s	METAL, CHIP 1.2K 0.5% 1/10W
R682	1-216-631-11	s	METAL, CHIP 150 0.5% 1/10W (2125)
R683	1-216-631-11	s	METAL, CHIP 150 0.5% 1/10W (2125)
R684	*7 1-216-603-11	s	METAL, CHIP 10 0.5% 1/10W (2125)
	*2 1-216-607-11	s	METAL, CHIP 15 0.5% 1/10W (2125)
R685	*7 1-216-049-00	s	METAL, CHIP 1.0K 5% 1/10W (2125)
	*2 1-216-635-11	s	METAL, CHIP 220 0.5% 1/10W (2125)
R686	*7 1-208-789-11	s	METAL, CHIP 2.0K 0.5% 1/10W
	*2 1-216-661-11	s	METAL, CHIP 2.7K 0.5% 1/10W
R687	*7 1-208-801-11	s	METAL, CHIP 6.2K 0.5% 1/10W
	*2 1-216-647-11	s	METAL, CHIP 680 0.5% 1/10W
R688	*7 1-216-666-11	s	METAL, CHIP 4.3K 0.5% 1/10W
	*2 1-216-647-11	s	METAL, CHIP 680 0.5% 1/10W
R689	*7 1-216-625-11	s	METAL, CHIP 82 0.5% 1/10W (2125)
	*2 1-216-667-11	s	METAL, CHIP 4.7K 0.5% 1/10W
R690	*7 1-216-295-00	s	METAL, CHIP 0 (2125)
	*2 1-216-675-11	s	METAL, CHIP 10K 0.5% 1/10W (2125)
R691	*2 1-216-057-00	s	METAL, CHIP 2.2K 5% 1/10W (2125)
R692	*7 1-216-651-11	s	METAL, CHIP 1.0K 0.5% 1/10W
	*2 1-216-659-11	s	METAL, CHIP 2.2K 0.5% 1/10W
R693	*7 1-216-617-11	s	METAL, CHIP 39 0.5% 1/10W (2125)
	*2 1-216-631-11	s	METAL, CHIP 150 0.5% 1/10W

-----  
 \*1: Board No. suffix 11 only  
 \*2: Board No. suffix 11 or 12  
 \*3: Board No. suffix 12 only  
 \*5: Board No. suffix 11, 12, or 13

(VPR-1 BOARD for DVW-500P, suffix 11 through 17)

Ref. No. or Q'ty	Part No.	SP	Description
R694-696	1-216-631-11	s	METAL, CHIP 150 0.5% 1/10W (2125)
R697	*7 1-216-603-11	s	METAL, CHIP 10 0.5% 1/10W (2125)
	*2 1-216-607-11	s	METAL, CHIP 15 0.5% 1/10W (2125)
R698	*7 1-216-613-11	s	METAL, CHIP 27 0.5% 1/10W (2125)
	*3 1-216-608-11	s	METAL, CHIP 16 0.5% 1/10W (2125)
	*1 1-216-623-11	s	METAL, CHIP 68 0.5% 1/10W (2125)
R699	*7 1-216-661-11	s	METAL, CHIP 2.7K 0.5% 1/10W (2125)
	*2 1-208-789-11	s	METAL, CHIP 2.0K 0.5% 1/10W (2125)
R700	*7 1-216-049-00	s	METAL, CHIP 1.0K 5% 1/10W (2125)
	*2 1-216-647-11	s	METAL, CHIP 680 0.5% 1/10W (2125)
R701	*7 1-208-801-11	s	METAL, CHIP 6.2K 0.5% 1/10W (2125)
	*2 1-216-647-11	s	METAL, CHIP 680 0.5% 1/10W (2125)
R702	*7 1-216-666-11	s	METAL, CHIP 4.3K 0.5% 1/10W (2125)
	*2 1-216-667-11	s	METAL, CHIP 4.7K 0.5% 1/10W (2125)
R703	*7 1-216-619-11	s	METAL, CHIP 47 0.5% 1/10W (2125)
	*2 1-216-675-11	s	METAL, CHIP 10K 0.5% 1/10W (2125)
R705,706	*7 1-216-133-00	s	METAL, CHIP 3.3M 5% 1/10W (2125)
	*2 1-216-113-00	s	METAL, CHIP 470K 5% 1/10W (2125)
R707	*7 1-216-616-11	s	METAL, CHIP 36 0.5% 1/10W (2125)
	*2 1-216-057-00	s	METAL, CHIP 2.2K 5% 1/10W (2125)
R708	1-216-049-00	s	METAL, CHIP 1.0K 5% 1/10W (2125)
R709	*7 1-216-069-00	s	METAL, CHIP 6.8K 5% 1/10W (2125)
	*2 1-216-049-00	s	METAL, CHIP 1.0K 5% 1/10W (2125)
R710	*7 1-216-069-00	s	METAL, CHIP 6.8K 5% 1/10W (2125)
	*2 1-216-049-00	s	METAL, CHIP 1.0K 5% 1/10W (2125)
R711	1-216-049-00	s	METAL, CHIP 1.0K 5% 1/10W (2125)
R714	1-208-784-11	s	METAL, CHIP 1.2K 0.5% 1/10W (2125)
R715	1-216-667-11	s	METAL, CHIP 4.7K 0.5% 1/10W (2125)
R716	1-216-049-00	s	METAL, CHIP 1.0K 5% 1/10W (2125)
R717	1-216-651-11	s	METAL, CHIP 1.0K 0.5% 1/10W (2125)
R718	*7 1-216-049-00	s	METAL, CHIP 1.0K 5% 1/10W (2125)
	*1 1-216-049-00	s	METAL, CHIP 1.0K 5% 1/10W (2125)
R718A	*3 1-214-557-00	s	METAL 1.0K 1% 1/8W
R719	*7 1-216-651-11	s	METAL, CHIP 1.0K 0.5% 1/10W (2125)
	*2 1-216-659-11	s	METAL, CHIP 2.2K 0.5% 1/10W (2125)
R720	*7 1-216-617-11	s	METAL, CHIP 39 0.5% 1/10W (2125)
	*2 1-216-631-11	s	METAL, CHIP 150 0.5% 1/10W (2125)
R721	1-216-663-11	s	METAL, CHIP 3.3K 0.5% 1/10W (2125)
R722	1-216-049-00	s	METAL, CHIP 1.0K 5% 1/10W (2125)
R723	1-216-017-00	s	METAL, CHIP 47 5% 1/10W (2125)
R724	*7 1-216-619-11	s	METAL, CHIP 47 0.5% 1/10W (2125)
	*3 1-216-295-00	s	METAL, CHIP 0 (2125)
	*1 1-216-615-11	s	METAL, CHIP 33 0.5% 1/10W (2125)
R725	1-216-049-00	s	METAL, CHIP 1.0K 5% 1/10W (2125)
R726	1-216-049-00	s	METAL, CHIP 1.0K 5% 1/10W (2125)
R727	1-216-631-11	s	METAL, CHIP 150 0.5% 1/10W (2125)
R728	*7 1-216-650-11	s	METAL, CHIP 910 0.5% 1/10W (2125)
	*2 1-216-635-11	s	METAL, CHIP 220 0.5% 1/10W (2125)
R729	1-216-049-00	s	METAL, CHIP 1.0K 5% 1/10W (2125)

-----  
 \*6: Board No. suffix 13 only  
 \*7: Board No. suffix 13 or higher  
 \*c: Board No. suffix 14 or higher

(VPR-1 BOARD for DVW-500P, suffix 11 through 17)

(VPR-1 BOARD for DVW-500P, suffix 11 through 17)

Ref. No. or Q'ty	Part No.	SP Description
R730	1-216-049-00	s METAL, CHIP 1.0K 5% 1/10W (2125)
R731	1-216-081-00	s METAL, CHIP 22K 5% 1/10W (2125)
R732	*7 1-216-017-00	s METAL, CHIP 47 5% 1/10W (2125)
	*3 1-216-619-11	s METAL, CHIP 47 0.5% 1/10W (2125)
	*1 1-216-017-00	s METAL, CHIP 47 5% 1/10W (2125)
R733	*7 1-216-619-11	s METAL, CHIP 47 0.5% 1/10W (2125)
	*3 1-216-295-00	s METAL, CHIP 0 (2125)
	*1 1-216-615-11	s METAL, CHIP 33 0.5% 1/10W (2125)
R734	1-216-081-00	s METAL, CHIP 22K 5% 1/10W (2125)
R735-740	1-216-025-00	s METAL, CHIP 100 5% 1/10W (2125)
R741	1-216-049-00	s METAL, CHIP 1.0K 5% 1/10W (2125)
R742	1-216-049-00	s METAL, CHIP 1.0K 5% 1/10W (2125)
R743	1-216-631-11	s METAL, CHIP 150 0.5% 1/10W (2125)
R744	1-216-631-11	s METAL, CHIP 150 0.5% 1/10W
R745	*7 1-216-603-11	s METAL, CHIP 10 0.5% 1/10W (2125)
	*2 1-216-607-11	s METAL, CHIP 15 0.5% 1/10W (2125)
R746	*7 1-216-613-11	s METAL, CHIP 27 0.5% 1/10W (2125)
	*3 1-216-627-11	s METAL, CHIP 100 0.5% 1/10W
	*1 1-216-623-11	s METAL, CHIP 68 0.5% 1/10W (2125)
R747	*7 1-216-661-11	s METAL, CHIP 2.7K 0.5% 1/10W
	*2 1-208-789-11	s METAL, CHIP 2.0K 0.5% 1/10W
R748	*7 1-216-666-11	s METAL, CHIP 4.3K 0.5% 1/10W
	*2 1-216-647-11	s METAL, CHIP 680 0.5% 1/10W (2125)
R749	*7 1-208-801-11	s METAL, CHIP 6.2K 0.5% 1/10W
	*2 1-216-647-11	s METAL, CHIP 680 0.5% 1/10W (2125)
R750	1-216-065-00	s METAL, CHIP 4.7K 5% 1/10W (2125)
R751	1-216-073-00	s METAL, CHIP 10K 5% 1/10W (2125)
R752	1-216-097-00	s METAL, CHIP 100K 5% 1/10W (2125)
R753	1-216-073-00	s METAL, CHIP 10K 5% 1/10W (2125)
R754	1-216-097-00	s METAL, CHIP 100K 5% 1/10W (2125)
R755	1-216-049-00	s METAL, CHIP 1.0K 5% 1/10W (2125)
R756	*7 1-216-049-00	s METAL, CHIP 1.0K 5% 1/10W (2125)
	*2 1-216-635-11	s METAL, CHIP 220 0.5% 1/10W (2125)
R757-759	1-216-073-00	s METAL, CHIP 10K 5% 1/10W (2125)
R760	1-216-097-00	s METAL, CHIP 100K 5% 1/10W (2125)
R761	1-216-073-00	s METAL, CHIP 10K 5% 1/10W (2125)
R762	1-216-073-00	s METAL, CHIP 10K 5% 1/10W (2125)
R763	1-216-049-00	s METAL, CHIP 1.0K 5% 1/10W (2125)
R765	1-216-049-00	s METAL, CHIP 1.0K 5% 1/10W (2125)
R766	1-216-049-00	s METAL, CHIP 1.0K 5% 1/10W (2125)
R767	*7 1-216-619-11	s METAL, CHIP 47 0.5% 1/10W (2125)
	*2 1-216-667-11	s METAL, CHIP 4.7K 0.5% 1/10W
R768	*7 1-216-616-11	s METAL, CHIP 36 0.5% 1/10W (2125)
	*2 1-216-675-11	s METAL, CHIP 10K 0.5% 1/10W (2125)
R769	*7 1-216-650-11	s METAL, CHIP 910 0.5% 1/10W (2125)
	*2 1-216-057-00	s METAL, CHIP 2.2K 5% 1/10W (2125)
R771-774	1-216-049-00	s METAL, CHIP 1.0K 5% 1/10W (2125)
R776	1-216-073-00	s METAL, CHIP 10K 5% 1/10W (2125)
R777	1-216-049-00	s METAL, CHIP 1.0K 5% 1/10W (2125)
R778	1-216-049-00	s METAL, CHIP 1.0K 5% 1/10W (2125)
R779-781	1-216-073-00	s METAL, CHIP 10K 5% 1/10W (2125)
R782	*o 1-216-097-00	s METAL, CHIP 100K 5% 1/10W (2125)
	*8 1-216-073-00	s METAL, CHIP 10K 5% 1/10W (2125)

Ref. No. or Q'ty	Part No.	SP Description
R783-790	1-216-025-00	s METAL, CHIP 100 5% 1/10W (2125)
R791	1-216-041-00	s METAL, CHIP 470 5% 1/10W (2125)
R792-795	1-216-025-00	s METAL, CHIP 100 5% 1/10W (2125)
R797	1-216-295-00	s METAL, CHIP 0 (2125)
R798-801	1-216-049-00	s METAL, CHIP 1.0K 5% 1/10W (2125)
R802	1-216-017-00	s METAL, CHIP 47 5% 1/10W (2125)
R804	1-216-049-00	s METAL, CHIP 1.0K 5% 1/10W (2125)
R805	1-216-675-11	s METAL, CHIP 10K 0.5% 1/10W (2125)
R806	1-216-675-11	s METAL, CHIP 10K 0.5% 1/10W (2125)
R807	1-216-639-11	s METAL, CHIP 330 0.5% 1/10W (2125)
R808	1-208-784-11	s METAL, CHIP 1.2K 0.5% 1/10W (2125)
R810	*4 1-216-295-00	s METAL, CHIP 0 (2125)
R811	*7 1-216-295-00	s METAL, CHIP 0 (2125)
	(*k)1-216-295-00	s METAL, CHIP 0 (2125)
R890	*1 1-216-089-00	s METAL, CHIP 47K 5% 1/10W
R934-937	1-216-025-00	s METAL, CHIP 100 5% 1/10W (2125)
R940-949	*c 1-216-679-11	s METAL, CHIP 15K 0.5% 1/10W (2125)
R950	1-216-025-00	s METAL, CHIP 100 5% 1/10W (2125)
R963	1-216-025-00	s METAL, CHIP 100 5% 1/10W (2125)
R976	1-216-025-00	s METAL, CHIP 100 5% 1/10W (2125)
R978	1-216-295-00	s METAL, CHIP 0 (2125)
R1000	1-216-033-00	s METAL, CHIP 220 5% 1/10W (2125)
R1001	*7 1-216-133-00	s METAL, CHIP 3.3M 5% 1/10W (2125)
	*3 1-216-073-00	s METAL, CHIP 10K 5% 1/10W (2125)
R1002	*7 1-216-133-00	s METAL, CHIP 3.3M 5% 1/10W (2125)
	*3 1-216-121-00	s METAL, CHIP 1.0M 5% 1/10W (2125)
R1003	*3 1-216-061-00	s METAL, CHIP 3.3K 5% 1/10W (2125)
R1004	*4 1-216-049-00	s METAL, CHIP 1.0K 5% 1/10W (2125)
R1005	*4 1-216-049-00	s METAL, CHIP 1.0K 5% 1/10W (2125)
R1006	1-216-651-11	s METAL, CHIP 1.0K 0.5% 1/10W (2125)
R1007	*4 1-216-073-00	s METAL, CHIP 10K 5% 1/10W (2125)
R1008	1-216-049-00	s METAL, CHIP 1.0K 5% 1/10W (2125)
R1009	1-216-017-00	s METAL, CHIP 47 5% 1/10W (2125)
R1010	*7 1-216-097-00	s METAL, CHIP 100K 5% 1/10W (2125)
	*3 1-216-049-00	s METAL, CHIP 1.0K 5% 1/10W (2125)
R1011	*4 1-216-121-00	s METAL, CHIP 1.0M 5% 1/10W (2125)
	*1 1-247-903-00	s CARBON 1.0M 5% 1/4W
R1012	1-216-649-11	s METAL, CHIP 820 0.5% 1/10W (2125)
R1013	1-216-295-00	s METAL, CHIP 0 (2125)
R1015	1-216-049-00	s METAL, CHIP 1.0K 5% 1/10W (2125)
R1016	1-216-049-00	s METAL, CHIP 1.0K 5% 1/10W (2125)
R1017	1-216-295-00	s METAL, CHIP 0 (2125)
R1019	1-216-057-00	s METAL, CHIP 2.2K 5% 1/10W (2125)
R1020	1-216-073-00	s METAL, CHIP 10K 5% 1/10W (2125)
R1021	1-216-057-00	s METAL, CHIP 2.2K 5% 1/10W (2125)
R1022	1-216-051-00	s METAL, CHIP 1.2K 5% 1/10W (2125)
R1024	1-216-073-00	s METAL, CHIP 10K 5% 1/10W (2125)
R1025	1-216-651-11	s METAL, CHIP 1.0K 0.5% 1/10W (2125)
R1027	*4 1-216-121-00	s METAL, CHIP 1.0M 5% 1/10W (2125)
R1028	1-216-651-11	s METAL, CHIP 1.0K 0.5% 1/10W (2125)
R1029	1-216-661-11	s METAL, CHIP 2.7K 0.5% 1/10W (2125)
R1030	1-216-635-11	s METAL, CHIP 220 0.5% 1/10W (2125)
R1031	*7 1-216-057-00	s METAL, CHIP 2.2K 5% 1/10W (2125)
	*2 1-216-659-11	s METAL, CHIP 2.2K 0.5% 1/10W (2125)

-----  
 \*1: Board No. suffix 11 only \*8: Board No. suffix 11 through 14  
 \*2: Board No. suffix 11 or 12  
 \*3: Board No. suffix 12 only  
 \*4: Board No. suffix 12 or higher  
 \*7: Board No. suffix 13 or higher

-----  
 \*c: Board No. suffix 14 or higher  
 \*k: LOT No. 306 or 307  
 \*l: Board No. suffix 16 or higher  
 \*o: Board No. suffix 15 only  
 (\*?): Some mounted circuit boards within specified "\*?"

(VPR-1 BOARD for DVW-500P, suffix 11 through 17)

(VPR-1 BOARD for DVW-500P, suffix 11 through 17)

Ref. No. or Q'ty	Part No.	SP	Description
R1032	1-216-675-11	s	METAL, CHIP 10K 0.5% 1/10W (2125)
R1033	1-216-651-11	s	METAL, CHIP 1.0K 0.5% 1/10W
R1034	1-216-025-00	s	METAL, CHIP 100 5% 1/10W (2125)
R1035	1-216-675-11	s	METAL, CHIP 10K 0.5% 1/10W (2125)
R1036	*4 1-216-689-11	s	METAL, CHIP 39K 0.5% 1/10W (2125)
R1037	*4 1-216-677-11	s	METAL, CHIP 12K 0.5% 1/10W (2125)
R1038	*4 1-216-651-11	s	METAL, CHIP 1.0K 0.5% 1/10W
	*1 1-215-421-00	s	METAL 1.0K 1% 1/6W
R1039	*g 1-216-083-00	s	EETAL, CHIP 27K 5% 1/10W (2125)
	*f 1-216-081-00	s	METAL, CHIP 22K 5% 1/10W (2125)
R1040	1-216-049-00	s	METAL, CHIP 1.0K 5% 1/10W (2125)
R1041	1-216-651-11	s	METAL, CHIP 1.0K 0.5% 1/10W
R1042	1-216-651-11	s	METAL, CHIP 1.0K 0.5% 1/10W
R1043	1-216-121-00	s	METAL, CHIP 1.0M 5% 1/10W (2125)
R1044	1-216-651-11	s	METAL, CHIP 1.0K 0.5% 1/10W
R1045	1-216-089-00	s	METAL, CHIP 47K 5% 1/10W (2125)
R1046	*g 1-216-093-00	s	METAL, CHIP 68K 5% 1/10W (2125)
	*f 1-216-085-00	s	METAL, CHIP 33K 5% 1/10W (2125)
R1047	1-216-651-11	s	METAL, CHIP 1.0K 0.5% 1/10W
R1048	1-216-049-00	s	METAL, CHIP 1.0K 5% 1/10W (2125)
R1049	1-216-651-11	s	METAL, CHIP 1.0K 0.5% 1/10W
R1050	1-216-651-11	s	METAL, CHIP 1.0K 0.5% 1/10W
R1051	*4 1-216-121-00	s	METAL, CHIP 1.0M 5% 1/10W (2125)
R1052	1-216-081-00	s	METAL, CHIP 22K 5% 1/10W (2125)
R1053	1-216-295-00	s	METAL, CHIP 0 (2125)
R1055	1-216-661-11	s	METAL, CHIP 2.7K 0.5% 1/10W
R1056	1-216-675-11	s	METAL, CHIP 10K 0.5% 1/10W
R1057	1-216-651-11	s	METAL, CHIP 1.0K 0.5% 1/10W
R1058	1-216-025-00	s	METAL, CHIP 100 5% 1/10W (2125)
R1059	1-216-025-00	s	METAL, CHIP 100 5% 1/10W (2125)
R1060	1-216-025-00	s	METAL, CHIP 100 5% 1/10W (2125)
R1062	1-216-025-00	s	METAL, CHIP 100 5% 1/10W (2125)
R1063	1-216-025-00	s	METAL, CHIP 100 5% 1/10W (2125)
R1064	1-216-069-00	s	METAL, CHIP 6.8K 5% 1/10W (2125)
R1065	1-216-073-00	s	METAL, CHIP 10K 5% 1/10W (2125)
R1066	1-216-663-11	s	METAL, CHIP 3.3K 0.5% 1/10W
R1067	*7 1-216-097-00	s	METAL, CHIP 100K 5% 1/10W (2125)
R1068	*7 1-216-049-00	s	METAL, CHIP 1.0K 5% 1/10W (2125)
R1072	*4 1-216-295-00	s	METAL, CHIP 0 (2125)
	*1 1-216-073-00	s	METAL, CHIP 10K 5% 1/10W (2125)
R1073	1-216-073-00	s	METAL, CHIP 10K 5% 1/10W (2125)
R1074	1-216-041-00	s	METAL, CHIP 470 5% 1/10W (2125)
R1077	1-208-814-11	s	METAL, CHIP 22K 0.5% 1/10W (2125)
R1078	1-216-057-00	s	METAL, CHIP 2.2K 5% 1/10W (2125)
R1079	1-208-814-11	s	METAL, CHIP 22K 0.5% 1/10W (2125)
R1080	1-216-295-00	s	METAL, CHIP 0 (2125)
R1081	1-216-697-11	s	METAL, CHIP 82K 0.5% 1/10W (2125)
R1082	1-216-667-11	s	METAL, CHIP 4.7K 0.5% 1/10W
R1083	1-216-651-11	s	METAL, CHIP 1.0K 0.5% 1/10W
R1084	1-216-073-00	s	METAL, CHIP 10K 5% 1/10W (2125)
R1085	1-216-081-00	s	METAL, CHIP 22K 5% 1/10W (2125)
R1086	1-216-073-00	s	METAL, CHIP 10K 5% 1/10W (2125)
R1087	1-216-017-00	s	METAL, CHIP 47 5% 1/10W (2125)
R1088	1-216-667-11	s	METAL, CHIP 4.7K 0.5% 1/10W
R1089	1-216-017-00	s	METAL, CHIP 47 5% 1/10W (2125)

Ref. No. or Q'ty	Part No.	SP	Description
R1090	1-216-085-00	s	METAL, CHIP 33K 5% 1/10W (2125)
R1091	1-216-073-00	s	METAL, CHIP 10K 5% 1/10W (2125)
R1092	1-216-085-00	s	METAL, CHIP 33K 5% 1/10W (2125)
R1093	1-216-665-11	s	METAL, CHIP 3.9K 0.5% 1/10W (2125)
R1094	1-216-663-11	s	METAL, CHIP 3.3K 0.5% 1/10W (2125)
R1095	1-216-671-11	s	METAL, CHIP 6.8K 0.5% 1/10W (2125)
R1096	1-216-097-00	s	METAL, CHIP 100K 5% 1/10W (2125)
R1097	1-216-097-00	s	METAL, CHIP 100K 5% 1/10W (2125)
R1098	1-216-097-00	s	METAL, CHIP 100K 5% 1/10W (2125)
R1099	1-216-073-00	s	METAL, CHIP 10K 5% 1/10W (2125)
R1100	1-216-073-00	s	METAL, CHIP 10K 5% 1/10W (2125)
R1101	1-216-097-00	s	METAL, CHIP 100K 5% 1/10W (2125)
R1102	1-208-774-11	s	METAL, CHIP 470 0.5% 1/10W (2125)
R1103	1-208-774-11	s	METAL, CHIP 470 0.5% 1/10W (2125)
R1104	1-216-073-00	s	METAL, CHIP 10K 5% 1/10W (2125)
R1105	1-216-685-11	s	METAL, CHIP 27K 0.5% 1/10W (2125)
R1106	1-216-675-11	s	METAL, CHIP 10K 0.5% 1/10W (2125)
R1107	1-216-065-00	s	METAL, CHIP 4.7K 5% 1/10W (2125)
R1108	1-216-073-00	s	METAL, CHIP 10K 5% 1/10W (2125)
R1109	*4 1-216-295-00	s	METAL, CHIP 0 (2125)
R1111	*1 1-216-689-11	s	METAL, CHIP 39K 0.5% 1/10W (2125)
R1112	1-216-065-00	s	METAL, CHIP 4.7K 5% 1/10W (2125)
R1113	1-216-025-00	s	METAL, CHIP 100 5% 1/10W (2125)
R1114	1-216-049-00	s	METAL, CHIP 1.0K 5% 1/10W (2125)
R1115	*4 1-216-689-11	s	METAL, CHIP 39K 0.5% 1/10W (2125)
R1116	*4 1-216-073-00	s	METAL, CHIP 10K 5% 1/10W (2125)
	*1 1-249-429-11	s	CARBON 10K 5% 1/4W
R1117	1-216-665-11	s	METAL, CHIP 3.9K 0.5% 1/10W (2125)
R1118	*a 1-216-065-00	s	METAL, CHIP 4.7K 5% 1/10W (2125)
R1119	*7 1-216-675-11	s	METAL, CHIP 10K 0.5% 1/10W (2125)
R1120	1-216-663-11	s	METAL, CHIP 3.3K 0.5% 1/10W (2125)
R1121	1-216-671-11	s	METAL, CHIP 6.8K 0.5% 1/10W (2125)
R1122	*7 1-216-295-00	s	METAL, CHIP 0 (2125)
R1123	1-208-774-11	s	METAL, CHIP 470 0.5% 1/10W (2125)
R1124	1-208-774-11	s	METAL, CHIP 470 0.5% 1/10W (2125)
R1125	*7 1-216-675-11	s	METAL, CHIP 10K 0.5% 1/10W (2125)
R1126	1-216-685-11	s	METAL, CHIP 27K 0.5% 1/10W (2125)
R1127	1-216-675-11	s	METAL, CHIP 10K 0.5% 1/10W (2125)
R1128	1-216-295-00	s	METAL, CHIP 0 (2125)
R1131	*7 1-216-065-00	s	METAL, CHIP 4.7K 5% 1/10W (2125)
R1132	*7 1-216-049-00	s	METAL, CHIP 1.0K 5% 1/10W (2125)
	*2 1-216-295-00	s	METAL, CHIP 0 (2125)
R1133	1-216-065-00	s	METAL, CHIP 4.7K 5% 1/10W (2125)
R1134	1-216-025-00	s	METAL, CHIP 100 5% 1/10W (2125)
R1135	1-216-025-00	s	METAL, CHIP 100 5% 1/10W (2125)
R1136	1-216-025-00	s	METAL, CHIP 100 5% 1/10W (2125)
R1137	1-208-774-11	s	METAL, CHIP 470 0.5% 1/10W (2125)
R1138	1-208-774-11	s	METAL, CHIP 470 0.5% 1/10W (2125)
R1139	1-208-774-11	s	METAL, CHIP 470 0.5% 1/10W (2125)
R1140	1-216-675-11	s	METAL, CHIP 10K 0.5% 1/10W (2125)
R1142	1-216-025-00	s	METAL, CHIP 100 5% 1/10W (2125)
R1144	*7 1-216-073-00	s	METAL, CHIP 10K 5% 1/10W (2125)
R1145,1146			
	*7 1-216-097-00	s	METAL, CHIP 100K 5% 1/10W (2125)
	*1 1-216-295-00	s	METAL, CHIP 0 (2125)

-----  
 \*1: Board No. suffix 11 only  
 \*2: Board No. suffix 11 or 12  
 \*4: Board No. suffix 12 or higher  
 \*7: Board No. suffix 13 or higher

-----  
 \*a: Board No. suffix 13 or 14  
 \*f: LOT No. 302 through 402  
 \*g: LOT No. 403 or higher

(VPR-1 BOARD for DVW-500P, suffix 11 through 17)

Ref. No. or Q'ty	Part No.	SP	Description
R1147	*7 1-216-081-00	s	METAL, CHIP 22K 5% 1/10W (2125)
	*1 1-216-295-00	s	METAL, CHIP 0 (2125)
R1148	1-216-017-00	s	METAL, CHIP 47 5% 1/10W (2125)
R1149	*7 1-216-079-00	s	METAL, CHIP 18K 5% 1/10W (2125)
R1154	1-216-025-00	s	METAL, CHIP 100 5% 1/10W (2125)
R1156	*4 1-218-760-11	s	METAL, CHIP 220K 0.5% 1/10W
R1157	*4 1-208-774-11	s	METAL, CHIP 470 0.5% 1/10W (2125)
R1159	1-216-025-00	s	METAL, CHIP 100 5% 1/10W (2125)
R1160	1-216-057-00	s	METAL, CHIP 2.2K 5% 1/10W (2125)
R1161	1-216-025-00	s	METAL, CHIP 100 5% 1/10W (2125)
R1162	*7 1-216-659-11	s	METAL, CHIP 2.2K 0.5% 1/10W
R1163	*3 1-216-097-00	s	METAL, CHIP 100K 5% 1/10W (2125)
R1164	*3 1-216-097-00	s	METAL, CHIP 100K 5% 1/10W (2125)
R1165	1-216-025-00	s	METAL, CHIP 100 5% 1/10W (2125)
R1166	1-216-073-00	s	METAL, CHIP 10K 5% 1/10W (2125)
R1167	1-216-697-11	s	METAL, CHIP 82K 0.5% 1/10W (2125)
R1168	1-216-041-00	s	METAL, CHIP 470 5% 1/10W (2125)
R1169	1-216-675-11	s	METAL, CHIP 10K 0.5% 1/10W (2125)
R1170	1-216-073-00	s	METAL, CHIP 10K 5% 1/10W (2125)
R1171	1-216-667-11	s	METAL, CHIP 4.7K 0.5% 1/10W (2125)
R1172	1-216-685-11	s	METAL, CHIP 27K 0.5% 1/10W
R1173	*4 1-216-659-11	s	METAL, CHIP 2.2K 0.5% 1/10W
	*1 1-216-057-00	s	METAL, CHIP 2.2K 5% 1/10W (2125)
R1174	*j 1-208-803-11	s	METAL, CHIP 7.5K 0.5% 1/10W
	*i 1-216-075-00	s	METAL, CHIP 12K 5% 1/10W (2125)
	*2 1-216-085-00	s	METAL, CHIP 33K 5% 1/10W (2125)
R1175	1-216-678-11	s	METAL, CHIP 13K 0.5% 1/10W
R1176	1-216-671-11	s	METAL, CHIP 6.8K 0.5% 1/10W
R1177	*4 1-216-689-11	s	METAL, CHIP 39K 0.5% 1/10W
	(*3)1-216-659-11	s	METAL, CHIP 2.2K 0.5% 1/10W
	*1 1-216-057-00	s	METAL, CHIP 2.2K 5% 1/10W (2125)
R1178	*b 1-216-295-00	s	METAL, CHIP 0 (2125)
R1179	*a 1-216-295-00	s	METAL, CHIP 0 (2125)
R1201-1204	1-216-065-00	s	METAL, CHIP 4.7K 5% 1/10W (2125)
R1205	*c 1-216-065-00	s	METAL, CHIP 4.7K 5% 1/10W (2125)
R1207	*1 1-216-073-00	s	METAL, CHIP 10K 5% 1/10W (2125)
R1210	*d 1-216-695-11	s	METAL, CHIP 68K 0.5% 1/10W
R1212	*d 1-216-295-00	s	METAL, CHIP 0 (2125)
R1214	*d 1-216-687-11	s	METAL, CHIP 33K 0.5% 1/10W
R1215	*d 1-208-824-11	s	METAL, CHIP 56K 0.5% 1/10W
R1217	*d 1-216-295-00	s	METAL, CHIP 0 (2125)
R1221	*d 1-216-675-11	s	METAL, CHIP 10K 0.5% 1/10W
R1222	*d 1-216-675-11	s	METAL, CHIP 10K 0.5% 1/10W
R1223	*d 1-216-675-11	s	METAL, CHIP 10K 0.5% 1/10W
R1224	*d 1-216-662-11	s	METAL, CHIP 3.0K 0.5% 1/10W
R1225	*d 1-216-675-11	s	METAL, CHIP 10K 0.5% 1/10W
R1226	*d 1-216-073-00	s	METAL, CHIP 10K 5% 1/10W (2125)
R1227	*d 1-216-295-00	s	METAL, CHIP 0 (2125)
R1228	*d 1-216-295-00	s	METAL, CHIP 0 (2125)
R1229	*d 1-216-097-00	s	METAL, CHIP 100K 5% 1/10W (2125)
R1230	*d 1-216-097-00	s	METAL, CHIP 100K 5% 1/10W (2125)
R1231	*d 1-216-097-00	s	METAL, CHIP 100K 5% 1/10W (2125)
R1233	*d 1-216-295-00	s	METAL, CHIP 0 (2125)
R1662	*7 1-216-097-00	s	METAL, CHIP 100K 5% 1/10W (2125)

-----  
 \*1: Board No. suffix 11 only  
 \*2: Board No. suffix 11 or 12  
 \*3: Board No. suffix 12 only  
 \*4: Board No. suffix 12 or higher  
 \*7: Board No. suffix 13 or higher  
 \*a: Board No. suffix 13 or 14

(VPR-1 BOARD for DVW-500P, suffix 11 through 17)

Ref. No. or Q'ty	Part No.	SP	Description
R8400	*3 1-218-659-11	s	METAL, CHIP 43 0.5% 1/16W (1608)
R8401	*3 1-218-659-11	s	METAL, CHIP 43 0.5% 1/16W (1608)
RB300-303	1-239-628-11	s	RES, NETWORK, CHIP 220x8
RB304-317	1-239-412-11	s	RES, NETWORK, CHIP 100x4
RB318-321	1-239-711-11	s	RES, NETWORK, CHIP 0x4
RB326	1-239-412-11	s	RES, NETWORK, CHIP 100x4
RB327	1-239-412-11	s	RES, NETWORK, CHIP 100x4
RB328	1-239-412-11	s	RES, NETWORK, CHIP 100x4
RB329	*4 1-239-711-11	s	RES, NETWORK, CHIP 0x4
RB330	*c 1-239-412-11	s	RES, NETWORK, CHIP 100x4
RB500-503	1-239-628-11	s	RES, NETWORK, CHIP 220x8
RB504	1-239-306-11	s	RESISTOR BLOCK, CHIP 10Kx8
RB505-513	1-239-412-11	s	RES, NETWORK, CHIP 100x4
RB514	1-239-303-11	s	RESISTOR BLOCK, CHIP 1.0Kx8
RB515	1-239-303-11	s	RESISTOR BLOCK, CHIP 1.0Kx8

-----  
 \*b: Board No. suffix 14 only  
 \*c: Board No. suffix 14 or higher  
 \*d: Board No. suffix 15 or higher  
 \*i: LOT No. 401 through 408  
 \*j: LOT No. 409 or higher  
 (\*?): Some mounted circuit boards within specified "\*?"



-----  
 VR-152 BOARD  
 -----

Ref. No. or Q'ty	Part No.	SP	Description
lpc	A-8275-078-A	o	MOUNTED CIRCUIT BOARD, VR-152
C1	1-126-948-11	s	ELECT 100uF 20% 35V
C2	1-163-038-00	s	CERAMIC, CHIP 0.1uF 25V (2125)
C3	1-126-948-11	s	ELECT 100uF 20% 35V
C4	1-163-038-00	s	CERAMIC, CHIP 0.1uF 25V (2125)
C5	1-163-243-11	s	CERAMIC, CHIP 47pF 5% 50V (2125)
C6	1-124-282-00	s	ELECT, NONPOLAR 22uF 20% 25V
C7	1-163-243-11	s	CERAMIC, CHIP 47pF 5% 50V (2125)
C8	1-124-282-00	s	ELECT, NONPOLAR 22uF 20% 25V
C9	1-163-038-00	s	CERAMIC, CHIP 0.1uF 25V (2125)
C10	1-163-038-00	s	CERAMIC, CHIP 0.1uF 25V (2125)
C11	1-163-243-11	s	CERAMIC, CHIP 47pF 5% 50V (2125)
C12	1-163-243-11	s	CERAMIC, CHIP 47pF 5% 50V (2125)
C13	1-126-933-11	s	ELECT 100uF 20% 16V
C14	1-163-038-00	s	CERAMIC, CHIP 0.1uF 25V (2125)
C15	1-126-933-11	s	ELECT 100uF 20% 16V
C16-21	1-163-038-00	s	CERAMIC, CHIP 0.1uF 25V (2125)
C22	*1 1-163-038-00	s	CERAMIC, CHIP 0.1uF 25V (2125)
C23	(*1)1-161-772-11	s	CERAMIC 0.1uF 10% 25V
C24	(*1)1-161-772-11	s	CERAMIC 0.1uF 10% 25V
CN510	1-506-472-11	s	CONNECTOR, 7P, MALE
CN511	1-506-480-11	o	CONNECTOR, 15P, MALE
CN512	1-506-473-11	s	CONNECTOR, 8P, MALE
D1	8-719-024-81	s	DIODE 1SS300
D2	8-719-024-81	s	DIODE 1SS300
D5	8-719-801-48	s	DIODE 1SS193
FL1	*2 1-239-825-11	s	FILTER, EMI, CHIP
	*1 1-412-694-11	s	INDUCTOR, BEED
FL2	*2 1-239-825-11	s	FILTER, EMI, CHIP
	*1 1-412-694-11	s	INDUCTOR, BEED
FL3	*2 1-239-825-11	s	FILTER, EMI, CHIP
	*1 1-412-694-11	s	INDUCTOR, BEED
FL4	(*1)1-412-694-11	s	INDUCTOR, BEED
FL5	(*1)1-412-694-11	s	INDUCTOR, BEED
FL6	(*1)1-412-694-11	s	INDUCTOR, BEED
IC1	8-759-745-64	s	IC NJM4560M
IC2	8-759-745-64	s	IC NJM4560M
IC3	8-759-588-96	s	IC NJM5532L-D
J1	1-507-863-51	s	JACK, PHONE
Q1	8-729-905-12	s	TRANSISTOR DTA144EU
Q2	8-729-119-78	s	TRANSISTOR 2SC2785-HFE
R1	1-216-667-11	s	METAL, CHIP 4.7K 0.5% 1/10W
R2	1-216-667-11	s	METAL, CHIP 4.7K 0.5% 1/10W
R3	1-216-603-11	s	METAL, CHIP 10 0.5% 1/10W (2125)
R4	1-216-667-11	s	METAL, CHIP 4.7K 0.5% 1/10W
R5	1-216-667-11	s	METAL, CHIP 4.7K 0.5% 1/10W
R6	1-216-603-11	s	METAL, CHIP 10 0.5% 1/10W (2125)
R7	1-216-660-11	s	METAL, CHIP 2.4K 0.5% 1/10W
R8	1-216-675-11	s	METAL, CHIP 10K 0.5% 1/10W
R9	1-220-220-11	s	METAL, CHIP 120 5% 1/2W (4532)
R11	1-216-660-11	s	METAL, CHIP 2.4K 0.5% 1/10W

(VR-152 BOARD)

Ref. No. or Q'ty	Part No.	SP	Description
R12	1-216-675-11	s	METAL, CHIP 10K 0.5% 1/10W (2125)
R13	1-220-220-11	s	METAL, CHIP 120 5% 1/2W (4532)
R15	1-216-065-00	s	METAL, CHIP 4.7K 5% 1/10W (2125)
R16	1-216-603-11	s	METAL, CHIP 10 0.5% 1/10W (2125)
R17	1-216-603-11	s	METAL, CHIP 10 0.5% 1/10W (2125)
R18	1-216-665-11	s	METAL, CHIP 3.9K 0.5% 1/10W (2125)
R19	1-216-687-11	s	METAL, CHIP 33K 0.5% 1/10W (2125)
R22	1-216-665-11	s	METAL, CHIP 3.9K 0.5% 1/10W (2125)
R23	1-216-687-11	s	METAL, CHIP 33K 0.5% 1/10W (2125)
R26	1-216-665-11	s	METAL, CHIP 3.9K 0.5% 1/10W (2125)
R27	1-216-687-11	s	METAL, CHIP 33K 0.5% 1/10W (2125)
R30	1-216-665-11	s	METAL, CHIP 3.9K 0.5% 1/10W (2125)
R31	1-216-687-11	s	METAL, CHIP 33K 0.5% 1/10W (2125)
R34	1-216-665-11	s	METAL, CHIP 3.9K 0.5% 1/10W (2125)
R35	1-216-687-11	s	METAL, CHIP 33K 0.5% 1/10W (2125)
R38	1-216-073-00	s	METAL, CHIP 10K 5% 1/10W (2125)
R39	1-216-073-00	s	METAL, CHIP 10K 5% 1/10W (2125)
R40	1-216-073-00	s	METAL, CHIP 10K 5% 1/10W (2125)
R41	1-216-073-00	s	METAL, CHIP 10K 5% 1/10W (2125)
RV1	1-223-536-11	s	RES WITH SW, VAR, CARBON 10K
RV2	1-223-536-11	s	RES WITH SW, VAR, CARBON 10K
RV3	1-223-536-11	s	RES WITH SW, VAR, CARBON 10K
RV4	1-223-536-11	s	RES WITH SW, VAR, CARBON 10K
RV5	1-223-536-11	s	RES WITH SW, VAR, CARBON 10K
RV6	1-241-577-11	s	RES, VAR, CARBON 20K/20K
RY1	1-515-716-11	s	RELAY TQ2-5V

-----  
 \*1: Board No. suffix 11 only  
 \*2: Board No. suffix 12 or higher  
 (\*?): Some mounted circuit boards within specified "\*?"

-----  
 VR-153/153B BOARD  
 -----

Ref. No. or Q'ty	Part No.	SP Description
1pc	A-8275-075-A	o MOUNTED CIRCUIT BOARD, VR-153
C1	1-163-038-00	s CERAMIC, CHIP 0.1uF 25V (2125)
C2	1-126-933-11	s ELECT 100uF 20% 16V
C3-8	1-163-038-00	s CERAMIC, CHIP 0.1uF 25V (2125)
CN520	1-568-084-11	s CONNECTOR, HINGE 30P, FEMALE
CN522	1-506-472-11	s CONNECTOR, 7P, MALE
CN523	1-506-480-11	o CONNECTOR, 15P, MALE
D1,2	8-719-024-81	s DIODE 1SS300
Q1	8-729-905-12	s TRANSISTOR DTA144EU
R1	1-216-665-11	s METAL, CHIP 3.9K 0.5% 1/10W (2125)
R2	1-216-687-11	s METAL, CHIP 33K 0.5% 1/10W (2125)
R5	1-216-665-11	s METAL, CHIP 3.9K 0.5% 1/10W (2125)
R6	1-216-687-11	s METAL, CHIP 33K 0.5% 1/10W (2125)
R9	1-216-665-11	s METAL, CHIP 3.9K 0.5% 1/10W (2125)
R10	1-216-687-11	s METAL, CHIP 33K 0.5% 1/10W (2125)
R13	1-216-665-11	s METAL, CHIP 3.9K 0.5% 1/10W (2125)
R14	1-216-687-11	s METAL, CHIP 33K 0.5% 1/10W (2125)
R17	1-216-665-11	s METAL, CHIP 3.9K 0.5% 1/10W (2125)
R18	1-216-685-11	s METAL, CHIP 27K 0.5% 1/10W (2125)
R21-24	1-216-073-00	s METAL, CHIP 10K 5% 1/10W (2125)
RV1-5	1-223-536-11	s RES WITH SW, VAR, CARBON 10K
S1	1-554-088-00	s SWITCH, PUSH



### 3-4. Each Board Parts List for Player

Title	Page	Title	Page
A AC-139B .....	3-7	R RM-82 : For S reel motor .....	3-173
AP-28 : For DVW-A510P/CA510P .....	3-7	: For T reel motor of DVW-510P .....	3-173
APR-1B : For DVW-510P, suffix 16 or higher .....	3-301	RM-141 : For T reel motor of DVW-A510P/CA510P .....	3-173
: For DVW-510P, suffix 31 through 33 .....	3-310	RM-181 .....	3-173
APR-1BA: For DVW-A510P/CA510P, suffix 16 or higher .....	3-317	S SE-225 : For DVW-CA510P .....	3-383
: For DVW-A510P/CA510P, suffix 21 through 23 .....	3-328	SE-226 : For DVW-CA510P .....	3-383
C CCM-15 : For Reel shift motor .....	3-40	SE-228 .....	3-173
: For Threading motor .....	3-40	SE-237 : For DVW-CA510P .....	3-383
CL-28 : For DVW-CA510P .....	3-339	SS-52B : For DVW-A510P/CA510P .....	3-383
CL-29 : For DVW-A510P/510P .....	3-41	: For DVW-510P .....	3-392
CP-218B .....	3-339	SWC-17B .....	3-400
CP-220B .....	3-340	SWC-18B .....	3-402
CUE-1B : For DVW-510P .....	3-341	SWC-19B .....	3-403
CUE-1BA: For DVW-A510P/CA510P .....	3-345	SWITCHING REGULATOR, SOPS-1042	
D DIF-16B: suffix 16, 31 or higher .....	3-349	SOPS-1019C .....	3-197
: suffix 21, 22 .....	3-353	SOPS-1042A .....	3-197
DM-89 : For DVW-A510P/CA510P, suffix 17 or higher .....	3-71	SOPS-1042B : For SOPS-1042 .....	3-199
: For DVW-A510P/CA510P, suffix 11 through 16 .....	3-83	SOPS-1042D : For SOPS-1042(A) .....	3-200
DP-176B .....	3-96	SOPS-1042S .....	3-201
DPR-36H: suffix 24, 15 or higher .....	3-356	T TBC-23 : For DVW-A510P/CA510P, suffix 16 or higher .....	3-201
: suffix 22, 23 .....	3-360	: For DVW-A510P/CA510P, suffix 11 through 15 .....	3-206
DR-307A: For DVW-A510P, LOT No. 912 or higher .....	3-104	TBC-24 : For DVW-A510P/CA510P, suffix 16 or higher .....	3-209
DR-307D: For DVW-510P, LOT No. 912 or higher .....	3-113	: For DVW-A510P/CA510P, suffix 11 through 15 .....	3-218
DR-200 : LOT No. 302 through 911 .....	3-120	TR-78 .....	3-227
DT-34B .....	3-127	TR-79 .....	3-227
DU-91 : For DVW-CA510P .....	3-362	V VPR-1B : suffix 18 or higher .....	3-403
DUS-679 .....	3-128	: For DVW-A510P/CA510P, suffix 21 through 26 .....	3-415
DUS-710: For DM-89 board .....	3-131	: For DVW-510P, suffix 21 through 26 .....	3-426
: For VPR-1B board .....	3-131	VR-152B .....	3-437
DUS-727 .....	3-132	VR-153B .....	3-276
DUS-741 .....	3-132		
DUS-744 .....	3-363		
DUS-769 .....	3-132		
DUS-784 .....	3-133		
DUS-830 .....	3-133		
E EQ-45B : For DVW-510P, LOT No. 302 through 001 .....	3-363		
EQ-45BA: For DVW-A510P/510P, LOT No. 002 or higher .....	3-368		
: For DVW-A510P, LOT No. 302 through 001 .....	3-374		
F FP-58B .....	3-166		
H HN-181 .....	3-379		
HN-184 .....	3-167		
HN-185 .....	3-168		
K KY-231B .....	3-380		
L LED-200: For DVW-CA510P .....	3-382		
LP-81 : For DVW-A510P/510P .....	3-171		
M MB-441 .....	3-382		
P PC-70 : For DVW-A510P/510P .....	3-172		
PD-35 .....	3-172		
PTC-54 .....	3-172		
PTC-59 .....	3-172		
PTC-69 .....	3-172		
PTC-71 .....	3-172		

-----  
 APR-1B BOARD for DVW-510P, suffix 16 or higher  
 -----

(APR-1B BOARD for DVW-510P, suffix 16 or higher)

Ref. No. or Q'ty	Part No.	SP	Description
1pc	A-8275-343-B	o	MOUNTED CIRCUIT BOAD,APR-1B
1pc	3-171-453-03	o	PLATE (L), SHIELD, CARD
1pc	3-171-454-02	o	SHEET (L), CARD (PLA)
1pc	3-179-084-01	s	LEVER(R),PRINTED C,BOARD
1pc	3-179-085-01	s	LEVER(L),PRINTED C.BOARD
6pcs	7-682-902-11	s	SCREW +PWH 2.6X5(EF-FE/ZN/CM2)
C52	1-164-156-11	s	CAPACITOR,CERAMIC 0.1MF/25V F
C53	1-164-156-11	s	CAPACITOR,CERAMIC 0.1MF/25V F
C54	1-164-156-11	s	CAPACITOR,CERAMIC 0.1MF/25V F
C55	1-164-156-11	s	CAPACITOR,CERAMIC 0.1MF/25V F
C58	1-164-156-11	s	CAPACITOR,CERAMIC 0.1MF/25V F
C59	1-164-156-11	s	CAPACITOR,CERAMIC 0.1MF/25V F
C60	1-126-400-11	s	CAPACITOR ELECT 22MF/35V(CHIP)
C61	1-115-670-11	s	CAPACITOR ELECT 220MF/35V(CHIP)
C62	1-128-416-11	s	CAPACITOR ELECT 100MF/16V(105C)
C500	1-164-156-11	s	CAPACITOR,CERAMIC 0.1MF/25V F
C501	1-107-420-11	s	CAPACITOR,ELECT 47MF/35V(105C)
C502	1-126-400-11	s	CAPACITOR ELECT 22MF/35V(CHIP)
C503	1-128-416-11	s	CAPACITOR ELECT 100MF/16V(105C)
C504	1-128-936-21	s	CAPACITOR,ELECT (NONPOLAR)22MF
C505	1-128-416-11	s	CAPACITOR ELECT 100MF/16V(105C)
C506	1-128-936-21	s	CAPACITOR,ELECT (NONPOLAR)22MF
C507	1-128-416-11	s	CAPACITOR ELECT 100MF/16V(105C)
C508	1-164-156-11	s	CAPACITOR,CERAMIC 0.1MF/25V F
C509	1-162-927-11	s	CAPACITOR,CERAMIC 100PF/50V CH
C510	1-162-927-11	s	CAPACITOR,CERAMIC 100PF/50V CH
C511	1-164-156-11	s	CAPACITOR,CERAMIC 0.1MF/25V F
C512	1-126-399-11	s	CAPACITOR ELECT 10MF/35V(CHIP)
C513	1-127-967-11	s	CAPACITOR,FILM 0.0022MF (2012)
C514	1-127-967-11	s	CAPACITOR,FILM 0.0022MF (2012)
C515	1-127-965-11	s	CAPACITOR,CHIP FILM 0.001MF
C516	1-127-965-11	s	CAPACITOR,CHIP FILM 0.001MF
C517	1-115-672-11	s	CAPACITOR ELECT 10MF/35V(BP)
C518	1-115-672-11	s	CAPACITOR ELECT 10MF/35V(BP)
C519	1-127-969-21	s	CAPACITOR,FILM 0.0047MF/50V
C520	1-127-969-21	s	CAPACITOR,FILM 0.0047MF/50V
C521	1-164-156-11	s	CAPACITOR,CERAMIC 0.1MF/25V F
C522	1-164-156-11	s	CAPACITOR,CERAMIC 0.1MF/25V F
C523	1-128-416-11	s	CAPACITOR ELECT 100MF/16V(105C)
C524	1-164-156-11	s	CAPACITOR,CERAMIC 0.1MF/25V F
C525	1-164-156-11	s	CAPACITOR,CERAMIC 0.1MF/25V F
C526	1-164-156-11	s	CAPACITOR,CERAMIC 0.1MF/25V F
C527	1-164-156-11	s	CAPACITOR,CERAMIC 0.1MF/25V F
C528	1-164-156-11	s	CAPACITOR,CERAMIC 0.1MF/25V F
C529	1-164-156-11	s	CAPACITOR,CERAMIC 0.1MF/25V F
C530	1-126-399-11	s	CAPACITOR ELECT 10MF/35V(CHIP)
C531	1-128-936-21	s	CAPACITOR,ELECT (NONPOLAR)22MF
C532	1-128-936-21	s	CAPACITOR,ELECT (NONPOLAR)22MF
C533	1-128-936-21	s	CAPACITOR,ELECT (NONPOLAR)22MF
C534	1-128-936-21	s	CAPACITOR,ELECT (NONPOLAR)22MF
C535	1-162-919-11	s	CAPACITOR,CERAMIC 22PF/50V CH
C536	1-162-919-11	s	CAPACITOR,CERAMIC 22PF/50V CH
C537	1-162-919-11	s	CAPACITOR,CERAMIC 22PF/50V CH
C538	1-162-919-11	s	CAPACITOR,CERAMIC 22PF/50V CH
C539	1-128-936-21	s	CAPACITOR,ELECT (NONPOLAR)22MF
C540	1-128-936-21	s	CAPACITOR,ELECT (NONPOLAR)22MF
C541	1-128-936-21	s	CAPACITOR,ELECT (NONPOLAR)22MF
C542	1-128-936-21	s	CAPACITOR,ELECT (NONPOLAR)22MF

Ref. No. or Q'ty	Part No.	SP	Description
C543	1-162-927-11	s	CAPACITOR,CERAMIC 100PF/50V CH
C544	1-162-927-11	s	CAPACITOR,CERAMIC 100PF/50V CH
C545	1-162-927-11	s	CAPACITOR,CERAMIC 100PF/50V CH
C546	1-162-927-11	s	CAPACITOR,CERAMIC 100PF/50V CH
C547	1-128-936-21	s	CAPACITOR,ELECT (NONPOLAR)22MF
C548	1-128-936-21	s	CAPACITOR,ELECT (NONPOLAR)22MF
C549	1-128-936-21	s	CAPACITOR,ELECT (NONPOLAR)22MF
C550	1-128-936-21	s	CAPACITOR,ELECT (NONPOLAR)22MF
C551	1-127-965-11	s	CAPACITOR,CHIP FILM 0.001MF
C552	1-127-965-11	s	CAPACITOR,CHIP FILM 0.001MF
C553	1-128-416-11	s	CAPACITOR ELECT 100MF/16V(105C)
C554	1-128-416-11	s	CAPACITOR ELECT 100MF/16V(105C)
C555	1-107-420-11	s	CAPACITOR,ELECT 47MF/35V(105C)
C556	1-107-420-11	s	CAPACITOR,ELECT 47MF/35V(105C)
C557	1-164-156-11	s	CAPACITOR,CERAMIC 0.1MF/25V F
C558	1-164-156-11	s	CAPACITOR,CERAMIC 0.1MF/25V F
C559	1-107-420-11	s	CAPACITOR,ELECT 47MF/35V(105C)
C560	1-107-420-11	s	CAPACITOR,ELECT 47MF/35V(105C)
C561	1-164-156-11	s	CAPACITOR,CERAMIC 0.1MF/25V F
C562	1-164-156-11	s	CAPACITOR,CERAMIC 0.1MF/25V F
C563	1-162-915-11	s	CAPACITOR,CERAMIC 10PF/50V CH
C564	1-162-915-11	s	CAPACITOR,CERAMIC 10PF/50V CH
C565	1-107-420-11	s	CAPACITOR,ELECT 47MF/35V(105C)
C566	1-128-416-11	s	CAPACITOR ELECT 100MF/16V(105C)
C567	1-164-156-11	s	CAPACITOR,CERAMIC 0.1MF/25V F
C568	1-126-400-11	s	CAPACITOR ELECT 22MF/35V(CHIP)
C569	1-128-416-11	s	CAPACITOR ELECT 100MF/16V(105C)
C570	1-164-156-11	s	CAPACITOR,CERAMIC 0.1MF/25V F
C571	1-164-156-11	s	CAPACITOR,CERAMIC 0.1MF/25V F
C572	1-126-399-11	s	CAPACITOR ELECT 10MF/35V(CHIP)
C573	1-164-156-11	s	CAPACITOR,CERAMIC 0.1MF/25V F
C574	1-126-399-11	s	CAPACITOR ELECT 10MF/35V(CHIP)
C700	1-164-156-11	s	CAPACITOR,CERAMIC 0.1MF/25V F
C701	1-107-420-11	s	CAPACITOR,ELECT 47MF/35V(105C)
C702	1-126-400-11	s	CAPACITOR ELECT 22MF/35V(CHIP)
C703	1-128-416-11	s	CAPACITOR ELECT 100MF/16V(105C)
C704	1-128-936-21	s	CAPACITOR,ELECT (NONPOLAR)22MF
C705	1-128-416-11	s	CAPACITOR ELECT 100MF/16V(105C)
C706	1-128-936-21	s	CAPACITOR,ELECT (NONPOLAR)22MF
C707	1-128-416-11	s	CAPACITOR ELECT 100MF/16V(105C)
C708	1-164-156-11	s	CAPACITOR,CERAMIC 0.1MF/25V F
C709	1-162-927-11	s	CAPACITOR,CERAMIC 100PF/50V CH
C710	1-162-927-11	s	CAPACITOR,CERAMIC 100PF/50V CH
C711	1-164-156-11	s	CAPACITOR,CERAMIC 0.1MF/25V F
C712	1-126-399-11	s	CAPACITOR ELECT 10MF/35V(CHIP)
C713	1-127-967-11	s	CAPACITOR,FILM 0.0022MF (2012)
C714	1-127-967-11	s	CAPACITOR,FILM 0.0022MF (2012)
C715	1-127-965-11	s	CAPACITOR,CHIP FILM 0.001MF
C716	1-127-965-11	s	CAPACITOR,CHIP FILM 0.001MF
C717	1-115-672-11	s	CAPACITOR ELECT 10MF/35V(BP)
C718	1-115-672-11	s	CAPACITOR ELECT 10MF/35V(BP)
C719	1-127-969-21	s	CAPACITOR,FILM 0.0047MF/50V
C720	1-127-969-21	s	CAPACITOR,FILM 0.0047MF/50V
C721	1-164-156-11	s	CAPACITOR,CERAMIC 0.1MF/25V F
C722	1-164-156-11	s	CAPACITOR,CERAMIC 0.1MF/25V F
C723	1-128-416-11	s	CAPACITOR ELECT 100MF/16V(105C)
C724	1-164-156-11	s	CAPACITOR,CERAMIC 0.1MF/25V F
C725	1-164-156-11	s	CAPACITOR,CERAMIC 0.1MF/25V F
C726	1-164-156-11	s	CAPACITOR,CERAMIC 0.1MF/25V F

(APR-1B BOARD for DVW-510P, suffix 16 or higher)

Ref. No. or Q'ty	Part No.	SP Description
C727	1-164-156-11	s CAPACITOR,CERAMIC 0.1MF/25V F
C728	1-164-156-11	s CAPACITOR,CERAMIC 0.1MF/25V F
C729	1-164-156-11	s CAPACITOR,CERAMIC 0.1MF/25V F
C730	1-126-399-11	s CAPACITOR ELECT 10MF/35V(CHIP)
C731	1-128-936-21	s CAPACITOR,ELECT (NONPOLAR)22MF
C732	1-128-936-21	s CAPACITOR,ELECT (NONPOLAR)22MF
C733	1-128-936-21	s CAPACITOR,ELECT (NONPOLAR)22MF
C734	1-128-936-21	s CAPACITOR,ELECT (NONPOLAR)22MF
C735	1-162-919-11	s CAPACITOR,CERAMIC 22PF/50V CH
C736	1-162-919-11	s CAPACITOR,CERAMIC 22PF/50V CH
C737	1-162-919-11	s CAPACITOR,CERAMIC 22PF/50V CH
C738	1-162-919-11	s CAPACITOR,CERAMIC 22PF/50V CH
C739	1-128-936-21	s CAPACITOR,ELECT (NONPOLAR)22MF
C740	1-128-936-21	s CAPACITOR,ELECT (NONPOLAR)22MF
C741	1-128-936-21	s CAPACITOR,ELECT (NONPOLAR)22MF
C742	1-128-936-21	s CAPACITOR,ELECT (NONPOLAR)22MF
C743	1-162-927-11	s CAPACITOR,CERAMIC 100PF/50V CH
C744	1-162-927-11	s CAPACITOR,CERAMIC 100PF/50V CH
C745	1-162-927-11	s CAPACITOR,CERAMIC 100PF/50V CH
C746	1-162-927-11	s CAPACITOR,CERAMIC 100PF/50V CH
C747	1-128-936-21	s CAPACITOR,ELECT (NONPOLAR)22MF
C748	1-128-936-21	s CAPACITOR,ELECT (NONPOLAR)22MF
C749	1-128-936-21	s CAPACITOR,ELECT (NONPOLAR)22MF
C750	1-128-936-21	s CAPACITOR,ELECT (NONPOLAR)22MF
C751	1-127-965-11	s CAPACITOR,CHIP FILM 0.001MF
C752	1-127-965-11	s CAPACITOR,CHIP FILM 0.001MF
C753	1-128-416-11	s CAPACITOR ELECT 100MF/16V(105C
C754	1-128-416-11	s CAPACITOR ELECT 100MF/16V(105C
C755	1-107-420-11	s CAPACITOR,ELECT 47MF/35V(105C)
C756	1-107-420-11	s CAPACITOR,ELECT 47MF/35V(105C)
C757	1-164-156-11	s CAPACITOR,CERAMIC 0.1MF/25V F
C758	1-164-156-11	s CAPACITOR,CERAMIC 0.1MF/25V F
C759	1-107-420-11	s CAPACITOR,ELECT 47MF/35V(105C)
C760	1-107-420-11	s CAPACITOR,ELECT 47MF/35V(105C)
C761	1-164-156-11	s CAPACITOR,CERAMIC 0.1MF/25V F
C762	1-164-156-11	s CAPACITOR,CERAMIC 0.1MF/25V F
C763	1-162-915-11	s CAPACITOR,CERAMIC 10PF/50V CH
C764	1-162-915-11	s CAPACITOR,CERAMIC 10PF/50V CH
C765	1-107-420-11	s CAPACITOR,ELECT 47MF/35V(105C)
C766	1-128-416-11	s CAPACITOR ELECT 100MF/16V(105C
C767	1-164-156-11	s CAPACITOR,CERAMIC 0.1MF/25V F
C768	1-126-400-11	s CAPACITOR ELECT 22MF/35V(CHIP)
C769	1-128-416-11	s CAPACITOR ELECT 100MF/16V(105C
C770	1-164-156-11	s CAPACITOR,CERAMIC 0.1MF/25V F
C771	1-164-156-11	s CAPACITOR,CERAMIC 0.1MF/25V F
C772	1-126-399-11	s CAPACITOR ELECT 10MF/35V(CHIP)
C773	1-164-156-11	s CAPACITOR,CERAMIC 0.1MF/25V F
C774	1-126-399-11	s CAPACITOR ELECT 10MF/35V(CHIP)
C900	1-164-156-11	s CAPACITOR,CERAMIC 0.1MF/25V F
C901	1-162-966-11	s CAPACITOR,CERAMIC 2200PF/50V B
C902	1-126-399-11	s CAPACITOR ELECT 10MF/35V(CHIP)
C903	1-128-416-11	s CAPACITOR ELECT 100MF/16V(105C
C904	1-128-416-11	s CAPACITOR ELECT 100MF/16V(105C
C905	1-128-416-11	s CAPACITOR ELECT 100MF/16V(105C
C906	1-128-416-11	s CAPACITOR ELECT 100MF/16V(105C
C907	1-128-416-11	s CAPACITOR ELECT 100MF/16V(105C
C908	1-128-416-11	s CAPACITOR ELECT 100MF/16V(105C
C909	1-164-156-11	s CAPACITOR,CERAMIC 0.1MF/25V F
C910	1-162-927-11	s CAPACITOR,CERAMIC 100PF/50V CH

(APR-1B BOARD for DVW-510P, suffix 16 or higher)

Ref. No. or Q'ty	Part No.	SP Description
C911	1-162-927-11	s CAPACITOR,CERAMIC 100PF/50V CH
C912	1-164-156-11	s CAPACITOR,CERAMIC 0.1MF/25V F
C913	1-126-399-11	s CAPACITOR ELECT 10MF/35V(CHIP)
C914	1-127-967-11	s CAPACITOR,FILM 0.0022MF (2012)
C915	1-127-967-11	s CAPACITOR,FILM 0.0022MF (2012)
C916	1-162-915-11	s CAPACITOR,CERAMIC 10PF/50V CH
C917	1-127-965-11	s CAPACITOR,CHIP FILM 0.001MF
C918	1-127-965-11	s CAPACITOR,CHIP FILM 0.001MF
C919	1-115-672-11	s CAPACITOR ELECT 10MF/35V(BP)
C920	1-115-672-11	s CAPACITOR ELECT 10MF/35V(BP)
C921	1-127-969-21	s CAPACITOR,FILM 0.0047MF/50V
C922	1-127-969-21	s CAPACITOR,FILM 0.0047MF/50V
C923	1-164-156-11	s CAPACITOR,CERAMIC 0.1MF/25V F
C924	1-164-156-11	s CAPACITOR,CERAMIC 0.1MF/25V F
C927	1-126-399-11	s CAPACITOR ELECT 10MF/35V(CHIP)
C928	1-126-399-11	s CAPACITOR ELECT 10MF/35V(CHIP)
C929	1-164-156-11	s CAPACITOR,CERAMIC 0.1MF/25V F
C930	1-164-156-11	s CAPACITOR,CERAMIC 0.1MF/25V F
C931	1-164-156-11	s CAPACITOR,CERAMIC 0.1MF/25V F
C932	1-164-156-11	s CAPACITOR,CERAMIC 0.1MF/25V F
C933	1-164-156-11	s CAPACITOR,CERAMIC 0.1MF/25V F
C934	1-164-156-11	s CAPACITOR,CERAMIC 0.1MF/25V F
C935	1-164-156-11	s CAPACITOR,CERAMIC 0.1MF/25V F
C936	1-164-156-11	s CAPACITOR,CERAMIC 0.1MF/25V F
C937	1-126-399-11	s CAPACITOR ELECT 10MF/35V(CHIP)
C938	1-126-399-11	s CAPACITOR ELECT 10MF/35V(CHIP)
C941	1-128-936-21	s CAPACITOR,ELECT (NONPOLAR)22MF
C942	1-128-936-21	s CAPACITOR,ELECT (NONPOLAR)22MF
C943	1-128-936-21	s CAPACITOR,ELECT (NONPOLAR)22MF
C944	1-128-936-21	s CAPACITOR,ELECT (NONPOLAR)22MF
C945	1-162-919-11	s CAPACITOR,CERAMIC 22PF/50V CH
C946	1-162-919-11	s CAPACITOR,CERAMIC 22PF/50V CH
C947	1-162-919-11	s CAPACITOR,CERAMIC 22PF/50V CH
C948	1-162-919-11	s CAPACITOR,CERAMIC 22PF/50V CH
C949	1-128-936-21	s CAPACITOR,ELECT (NONPOLAR)22MF
C950	1-128-936-21	s CAPACITOR,ELECT (NONPOLAR)22MF
C951	1-128-936-21	s CAPACITOR,ELECT (NONPOLAR)22MF
C952	1-128-936-21	s CAPACITOR,ELECT (NONPOLAR)22MF
C953	1-162-927-11	s CAPACITOR,CERAMIC 100PF/50V CH
C954	1-162-927-11	s CAPACITOR,CERAMIC 100PF/50V CH
C955	1-162-927-11	s CAPACITOR,CERAMIC 100PF/50V CH
C956	1-162-927-11	s CAPACITOR,CERAMIC 100PF/50V CH
C957	1-128-936-21	s CAPACITOR,ELECT (NONPOLAR)22MF
C958	1-128-936-21	s CAPACITOR,ELECT (NONPOLAR)22MF
C959	1-128-936-21	s CAPACITOR,ELECT (NONPOLAR)22MF
C960	1-128-936-21	s CAPACITOR,ELECT (NONPOLAR)22MF
C961	1-127-965-11	s CAPACITOR,CHIP FILM 0.001MF
C962	1-127-965-11	s CAPACITOR,CHIP FILM 0.001MF
C963	1-128-416-11	s CAPACITOR ELECT 100MF/16V(105C
C964	1-128-416-11	s CAPACITOR ELECT 100MF/16V(105C
C965	1-107-420-11	s CAPACITOR,ELECT 47MF/35V(105C)
C966	1-107-420-11	s CAPACITOR,ELECT 47MF/35V(105C)
C967	1-164-156-11	s CAPACITOR,CERAMIC 0.1MF/25V F
C968	1-164-156-11	s CAPACITOR,CERAMIC 0.1MF/25V F
C969	1-107-420-11	s CAPACITOR,ELECT 47MF/35V(105C)
C970	1-107-420-11	s CAPACITOR,ELECT 47MF/35V(105C)
C971	1-164-156-11	s CAPACITOR,CERAMIC 0.1MF/25V F
C972	1-164-156-11	s CAPACITOR,CERAMIC 0.1MF/25V F
C973	1-162-915-11	s CAPACITOR,CERAMIC 10PF/50V CH

(APR-1B BOARD for DVW-510P, suffix 16 or higher)

Ref. No. or Q'ty	Part No.	SP	Description
C974	1-162-919-11	s	CAPACITOR,CERAMIC 22PF/50V CH
C975	1-162-919-11	s	CAPACITOR,CERAMIC 22PF/50V CH
C1001	1-115-672-11	s	CAPACITOR ELECT 10MF/35V(BP)
C1002	1-115-672-11	s	CAPACITOR ELECT 10MF/35V(BP)
C1003	1-164-156-11	s	CAPACITOR,CERAMIC 0.1MF/25V F
C1004	1-164-156-11	s	CAPACITOR,CERAMIC 0.1MF/25V F
C1100	1-107-420-11	s	CAPACITOR,ELECT 47MF/35V(105C)
C1101	1-107-420-11	s	CAPACITOR,ELECT 47MF/35V(105C)
C1102	1-164-156-11	s	CAPACITOR,CERAMIC 0.1MF/25V F
C1103	1-107-420-11	s	CAPACITOR,ELECT 47MF/35V(105C)
C1104	1-107-420-11	s	CAPACITOR,ELECT 47MF/35V(105C)
C1105	1-107-420-11	s	CAPACITOR,ELECT 47MF/35V(105C)
C1106	1-107-420-11	s	CAPACITOR,ELECT 47MF/35V(105C)
C1107	1-107-420-11	s	CAPACITOR,ELECT 47MF/35V(105C)
C1108	1-107-420-11	s	CAPACITOR,ELECT 47MF/35V(105C)
C1109	1-107-420-11	s	CAPACITOR,ELECT 47MF/35V(105C)
C1110	1-107-420-11	s	CAPACITOR,ELECT 47MF/35V(105C)
C1111	1-164-156-11	s	CAPACITOR,CERAMIC 0.1MF/25V F
C1112	1-164-156-11	s	CAPACITOR,CERAMIC 0.1MF/25V F
C1113	1-164-156-11	s	CAPACITOR,CERAMIC 0.1MF/25V F
C1114	1-164-156-11	s	CAPACITOR,CERAMIC 0.1MF/25V F
C1120	1-107-420-11	s	CAPACITOR,ELECT 47MF/35V(105C)
C1121	1-164-156-11	s	CAPACITOR,CERAMIC 0.1MF/25V F
C1300	1-164-156-11	s	CAPACITOR,CERAMIC 0.1MF/25V F
C1301	1-126-399-11	s	CAPACITOR ELECT 10MF/35V(CHIP)
C1314	1-164-156-11	s	CAPACITOR,CERAMIC 0.1MF/25V F
C1315	1-164-156-11	s	CAPACITOR,CERAMIC 0.1MF/25V F
C1560	1-164-156-11	s	CAPACITOR,CERAMIC 0.1MF/25V F
C1561	1-164-156-11	s	CAPACITOR,CERAMIC 0.1MF/25V F
C1562	1-164-156-11	s	CAPACITOR,CERAMIC 0.1MF/25V F
C1563	1-164-156-11	s	CAPACITOR,CERAMIC 0.1MF/25V F
C1564	1-164-156-11	s	CAPACITOR,CERAMIC 0.1MF/25V F
C1565	1-164-156-11	s	CAPACITOR,CERAMIC 0.1MF/25V F
C1570	1-164-156-11	s	CAPACITOR,CERAMIC 0.1MF/25V F
C1571	1-162-915-11	s	CAPACITOR,CERAMIC 10PF/50V CH
C1572	1-162-915-11	s	CAPACITOR,CERAMIC 10PF/50V CH
C1573	1-107-686-11	s	CAPACITOR,CHIP TANTAL4.7MF/16V
C1590	1-164-156-11	s	CAPACITOR,CERAMIC 0.1MF/25V F
C1591	1-126-399-11	s	CAPACITOR ELECT 10MF/35V(CHIP)
C1592	1-164-156-11	s	CAPACITOR,CERAMIC 0.1MF/25V F
CN119	1-573-600-21	s	CONNECTOR, PC BOARD (PLUG)100P
CN120	1-573-600-21	s	CONNECTOR, PC BOARD (PLUG)100P
CN121	1-573-600-21	s	CONNECTOR, PC BOARD (PLUG)100P
D1	8-719-024-81	s	DIODE 1SS300-TE85L
D2	8-719-404-35	s	DIODE MA141WK
D3	8-719-024-81	s	DIODE 1SS300-TE85L
D4	8-719-024-81	s	DIODE 1SS300-TE85L
D5	8-719-024-81	s	DIODE 1SS300-TE85L
D6	8-719-404-35	s	DIODE MA141WK
D7	8-719-404-35	s	DIODE MA141WK
D8	8-719-404-35	s	DIODE MA141WK
D50	8-719-801-48	s	DIODE 1SS193
D51	8-719-064-52	s	DIODE CL-191YG-CD-T
D52	8-719-941-23	s	DIODE DA204U
D53	8-719-941-23	s	DIODE DA204U
D500	8-719-941-04	s	DIODE SB007-03CP
D501	8-719-941-04	s	DIODE SB007-03CP
D502	8-719-801-48	s	DIODE 1SS193

(APR-1B BOARD for DVW-510P, suffix 16 or higher)

Ref. No. or Q'ty	Part No.	SP	Description
D503	8-719-801-48	s	DIODE 1SS193
D504	8-719-068-64	s	DIODE MA143A-(TX).SO
D505	8-719-068-64	s	DIODE MA143A-(TX).SO
D506	8-719-068-64	s	DIODE MA143A-(TX).SO
D507	8-719-068-64	s	DIODE MA143A-(TX).SO
D700	8-719-941-04	s	DIODE SB007-03CP
D701	8-719-941-04	s	DIODE SB007-03CP
D702	8-719-801-48	s	DIODE 1SS193
D703	8-719-801-48	s	DIODE 1SS193
D704	8-719-068-64	s	DIODE MA143A-(TX).SO
D705	8-719-068-64	s	DIODE MA143A-(TX).SO
D706	8-719-068-64	s	DIODE MA143A-(TX).SO
D707	8-719-068-64	s	DIODE MA143A-(TX).SO
D900	8-719-941-23	s	DIODE DA204U
D905	8-719-801-48	s	DIODE 1SS193
D906	8-719-801-48	s	DIODE 1SS193
D907	8-719-068-64	s	DIODE MA143A-(TX).SO
D908	8-719-068-64	s	DIODE MA143A-(TX).SO
D909	8-719-068-64	s	DIODE MA143A-(TX).SO
D910	8-719-068-64	s	DIODE MA143A-(TX).SO
D1530	8-719-017-09	s	DIODE 02DZ6.2-TPH3
D1531	8-719-017-09	s	DIODE 02DZ6.2-TPH3
D1540	8-719-017-09	s	DIODE 02DZ6.2-TPH3
D1541	8-719-017-09	s	DIODE 02DZ6.2-TPH3
D1550	8-719-017-09	s	DIODE 02DZ6.2-TPH3
D1551	8-719-017-09	s	DIODE 02DZ6.2-TPH3
FB1300	1-469-094-11	s	FERRITE, EMI (SMD)
FB1590	1-469-094-11	s	FERRITE, EMI (SMD)
IC2	8-759-491-46	s	IC TC74VHCT04AFT (EL)
IC4	8-759-479-32	s	IC SN75C1168NS (E05)
IC5	8-759-523-95	s	IC TC74VHC74FT(EL)
IC51	8-759-663-91	s	IC UPD78014FGC-684-AB8
IC52	8-759-524-07	s	IC TC74VHC138FT(EL)
IC53	8-759-524-40	s	IC TC74VHC373FT(EL)
IC54	8-752-381-84	s	IC CXD1095BQ
IC56	8-759-523-94	s	IC TC74VHC32FT(EL)
IC57	6-704-161-01	s	IC S-80840CNUA-B8ZT2G
IC58	8-759-523-78	s	IC TC74VHC00FT(EL)
IC59	6-704-161-01	s	IC S-80840CNUA-B8ZT2G
IC60	6-704-161-01	s	IC S-80840CNUA-B8ZT2G
IC500	8-759-348-81	s	IC SM5843AS1 (E2)
IC501	8-759-593-52	s	IC PCM1702U-J/2K
IC502	8-759-064-92	s	IC NJM5532M-D
IC503	8-759-064-92	s	IC NJM5532M-D
IC504	8-759-234-08	s	IC TA78L05F
IC505	8-759-745-64	s	IC NJM4560M
IC506	8-759-745-64	s	IC NJM4560M
IC507	8-759-745-64	s	IC NJM4560M
IC508	8-759-745-64	s	IC NJM4560M
IC509	8-759-745-64	s	IC NJM4560M
IC510	8-759-745-64	s	IC NJM4560M
IC511	8-759-064-92	s	IC NJM5532M-D
IC512	8-759-064-92	s	IC NJM5532M-D
IC513	8-759-745-64	s	IC NJM4560M
IC514	8-759-064-92	s	IC NJM5532M-D
IC515	8-759-064-92	s	IC NJM5532M-D
IC516	8-759-745-64	s	IC NJM4560M
IC519	8-759-446-74	s	IC TA79L05F(TE12L)
IC520	8-759-593-52	s	IC PCM1702U-J/2K

(APR-1B BOARD for DVW-510P, suffix 16 or higher)

Ref. No. or Q'ty	Part No.	SP Description
IC521	8-759-234-08	s IC TA78L05F
IC522	8-759-446-74	s IC TA79L05F(Te12L)
IC700	8-759-348-81	s IC SM5843AS1 (E2)
IC701	8-759-593-52	s IC PCM1702U-J/2K
IC702	8-759-064-92	s IC NJM5532M-D
IC703	8-759-064-92	s IC NJM5532M-D
IC704	8-759-234-08	s IC TA78L05F
IC705	8-759-745-64	s IC NJM4560M
IC706	8-759-745-64	s IC NJM4560M
IC707	8-759-745-64	s IC NJM4560M
IC708	8-759-745-64	s IC NJM4560M
IC709	8-759-745-64	s IC NJM4560M
IC710	8-759-745-64	s IC NJM4560M
IC711	8-759-064-92	s IC NJM5532M-D
IC712	8-759-064-92	s IC NJM5532M-D
IC713	8-759-745-64	s IC NJM4560M
IC714	8-759-064-92	s IC NJM5532M-D
IC715	8-759-064-92	s IC NJM5532M-D
IC716	8-759-745-64	s IC NJM4560M
IC719	8-759-446-74	s IC TA79L05F(Te12L)
IC720	8-759-593-52	s IC PCM1702U-J/2K
IC721	8-759-234-08	s IC TA78L05F
IC722	8-759-446-74	s IC TA79L05F(Te12L)
IC900	8-759-348-81	s IC SM5843AS1 (E2)
IC901	8-759-745-64	s IC NJM4560M
IC902	8-759-593-54	s IC PCM69AU-K/2K
IC903	8-759-530-05	s IC TC4053BFT (EL.N)
IC904	8-759-064-92	s IC NJM5532M-D
IC905	8-759-064-92	s IC NJM5532M-D
IC906	8-759-234-08	s IC TA78L05F
IC907	8-759-745-64	s IC NJM4560M
IC908	8-759-745-64	s IC NJM4560M
IC909	8-759-745-64	s IC NJM4560M
IC910	8-759-234-08	s IC TA78L05F
IC911	8-759-446-74	s IC TA79L05F(Te12L)
IC912	8-759-745-64	s IC NJM4560M
IC913	8-759-745-64	s IC NJM4560M
IC914	8-759-745-64	s IC NJM4560M
IC915	8-759-745-64	s IC NJM4560M
IC916	8-759-745-64	s IC NJM4560M
IC917	8-759-745-64	s IC NJM4560M
IC918	8-759-064-92	s IC NJM5532M-D
IC919	8-759-064-92	s IC NJM5532M-D
IC920	8-759-745-64	s IC NJM4560M
IC921	8-759-064-92	s IC NJM5532M-D
IC922	8-759-064-92	s IC NJM5532M-D
IC923	8-759-745-64	s IC NJM4560M
IC1300	8-759-524-50	s IC TC74VHC541FT(EL)
IC1301	8-759-491-46	s IC TC74VHCT04AFT (EL)
IC1304	8-759-391-30	s IC 74LVX3245QSCX
IC1306	8-759-524-28	s IC TC74VHC245FT(EL)
IC1307	8-759-524-50	s IC TC74VHC541FT(EL)
IC1530	8-759-064-92	s IC NJM5532M-D
IC1531	8-759-064-92	s IC NJM5532M-D
IC1540	8-759-064-92	s IC NJM5532M-D
IC1541	8-759-064-92	s IC NJM5532M-D
IC1550	8-759-064-92	s IC NJM5532M-D
IC1551	8-759-064-92	s IC NJM5532M-D
IC1560	8-759-391-30	s IC 74LVX3245QSCX

(APR-1B BOARD for DVW-510P, suffix 16 or higher)

Ref. No. or Q'ty	Part No.	SP Description
IC1561	8-759-391-30	s IC 74LVX3245QSCX
IC1562	8-759-590-19	s IC CXD9068BR
IC1563	8-759-391-30	s IC 74LVX3245QSCX
IC1564	8-759-391-30	s IC 74LVX3245QSCX
IC1565	8-759-391-30	s IC 74LVX3245QSCX
IC1570	8-759-391-30	s IC 74LVX3245QSCX
PS1100	Δ 1-533-271-21	s FUSE, CHIP
Q1	8-729-029-14	s TRANSISTOR DTC144EUA-T106
Q2	8-729-028-91	s TRANSISTOR DTA144EUA-T106
Q3	8-729-029-14	s TRANSISTOR DTC144EUA-T106
Q4	8-729-028-91	s TRANSISTOR DTA144EUA-T106
Q54	8-729-028-91	s TRANSISTOR DTA144EUA-T106
Q55	8-729-029-14	s TRANSISTOR DTC144EUA-T106
Q56	8-729-029-14	s TRANSISTOR DTC144EUA-T106
Q57	8-729-029-14	s TRANSISTOR DTC144EUA-T106
Q58	8-729-029-14	s TRANSISTOR DTC144EUA-T106
Q59	8-729-029-14	s TRANSISTOR DTC144EUA-T106
Q60	8-729-029-14	s TRANSISTOR DTC144EUA-T106
Q61	8-729-029-14	s TRANSISTOR DTC144EUA-T106
Q500	8-729-012-35	s FET 2SK711-BL
Q501	8-729-012-35	s FET 2SK711-BL
Q504	8-729-140-63	s TRANSISTOR 2SA1611-M5M6
Q505	8-729-140-63	s TRANSISTOR 2SA1611-M5M6
Q506	8-729-807-51	s TRANSISTOR 2SD1623-S
Q507	8-729-807-51	s TRANSISTOR 2SD1623-S
Q700	8-729-012-35	s FET 2SK711-BL
Q701	8-729-012-35	s FET 2SK711-BL
Q704	8-729-140-63	s TRANSISTOR 2SA1611-M5M6
Q705	8-729-140-63	s TRANSISTOR 2SA1611-M5M6
Q706	8-729-807-51	s TRANSISTOR 2SD1623-S
Q707	8-729-807-51	s TRANSISTOR 2SD1623-S
Q900	8-729-012-35	s FET 2SK711-BL
Q901	8-729-012-35	s FET 2SK711-BL
Q904	8-729-140-63	s TRANSISTOR 2SA1611-M5M6
Q905	8-729-140-63	s TRANSISTOR 2SA1611-M5M6
Q906	8-729-807-51	s TRANSISTOR 2SD1623-S
Q907	8-729-807-51	s TRANSISTOR 2SD1623-S
Q1000	8-729-012-35	s FET 2SK711-BL
Q1001	8-729-012-35	s FET 2SK711-BL
R1	1-218-716-11	s RESISTOR,CHIP 10K 1/16W(1608)
R2	1-218-716-11	s RESISTOR,CHIP 10K 1/16W(1608)
R7	1-218-704-11	s RESISTOR,CHIP 3.3K 1/16W(1608)
R8	1-218-704-11	s RESISTOR,CHIP 3.3K 1/16W(1608)
R9	1-218-704-11	s RESISTOR,CHIP 3.3K 1/16W(1608)
R10	1-218-704-11	s RESISTOR,CHIP 3.3K 1/16W(1608)
R11	1-218-660-91	s RESISTOR,CHIP 47 1/16W (1608)
R12	1-218-660-91	s RESISTOR,CHIP 47 1/16W (1608)
R13	1-218-660-91	s RESISTOR,CHIP 47 1/16W (1608)
R14	1-218-660-91	s RESISTOR,CHIP 47 1/16W (1608)
R27	1-218-716-11	s RESISTOR,CHIP 10K 1/16W(1608)
R28	1-218-684-11	s RESISTOR,CHIP 470 1/16W (1608)
R29	1-218-692-11	s RESISTOR,CHIP 1.0K 1/16W(1608)
R32	1-218-689-11	s RESISTOR CHIP 750 1/16W (1608)
R34	1-218-700-11	s RESISTOR,CHIP 2.2K 1/16W(1608)
R35	1-218-716-11	s RESISTOR,CHIP 10K 1/16W(1608)
R41	1-218-668-11	s RESISTOR,CHIP 100 1/16W (1608)
R42	1-218-734-11	s RESISTOR,CHIP 56K 1/16W(1608)



(APR-1B BOARD for DVW-510P, suffix 16 or higher)

Ref. No. or Q'ty	Part No.	SP	Description
R43	1-218-734-11	s	RESISTOR,CHIP 56K 1/16W(1608)
R44	1-218-716-11	s	RESISTOR,CHIP 10K 1/16W(1608)
R47	1-218-708-11	s	RESISTOR,CHIP 4.7K 1/16W(1608)
R48	1-218-699-11	s	RESISTOR,CHIP 2.0K 1/16W(1608)
R49	1-218-716-11	s	RESISTOR,CHIP 10K 1/16W(1608)
R51	1-218-684-11	s	RESISTOR,CHIP 470 1/16W (1608)
R52	1-218-716-11	s	RESISTOR,CHIP 10K 1/16W(1608)
R53	1-218-684-11	s	RESISTOR,CHIP 470 1/16W (1608)
R62	1-218-716-11	s	RESISTOR,CHIP 10K 1/16W(1608)
R71	1-218-716-11	s	RESISTOR,CHIP 10K 1/16W(1608)
R73	1-218-716-11	s	RESISTOR,CHIP 10K 1/16W(1608)
R74	1-218-716-11	s	RESISTOR,CHIP 10K 1/16W(1608)
R83	1-218-707-11	s	RESISTOR,CHIP 4.3K 1/16W(1608)
R84	1-218-679-91	s	RESISTOR, METAL FILM 300 1/16W
R85	1-218-699-11	s	RESISTOR,CHIP 2.0K 1/16W(1608)
R86	1-218-708-11	s	RESISTOR,CHIP 4.7K 1/16W(1608)
R93	1-218-716-11	s	RESISTOR,CHIP 10K 1/16W(1608)
R94	1-218-692-11	s	RESISTOR,CHIP 1.0K 1/16W(1608)
R95	1-218-716-11	s	RESISTOR,CHIP 10K 1/16W(1608)
R96	1-218-716-11	s	RESISTOR,CHIP 10K 1/16W(1608)
R97	1-218-700-11	s	RESISTOR,CHIP 2.2K 1/16W(1608)
R98	1-218-716-11	s	RESISTOR,CHIP 10K 1/16W(1608)
R376	1-218-708-11	s	RESISTOR,CHIP 4.7K 1/16W(1608)
R501	1-218-716-11	s	RESISTOR,CHIP 10K 1/16W(1608)
R503	1-218-716-11	s	RESISTOR,CHIP 10K 1/16W(1608)
R504	1-218-716-11	s	RESISTOR,CHIP 10K 1/16W(1608)
R505	1-216-857-11	s	RESISTOR, CHIP 1.0M 1/16W 1608
R506	1-216-857-11	s	RESISTOR, CHIP 1.0M 1/16W 1608
R507	1-218-700-11	s	RESISTOR,CHIP 2.2K 1/16W(1608)
R508	1-218-700-11	s	RESISTOR,CHIP 2.2K 1/16W(1608)
R509	1-218-679-91	s	RESISTOR, METAL FILM 300 1/16W
R510	1-218-679-91	s	RESISTOR, METAL FILM 300 1/16W
R511	1-218-717-11	s	RESISTOR,CHIP 11K 1/16W (1608)
R512	1-218-717-11	s	RESISTOR,CHIP 11K 1/16W (1608)
R513	1-218-724-11	s	RESISTOR,CHIP 22K 1/16W(1608)
R514	1-218-724-11	s	RESISTOR,CHIP 22K 1/16W(1608)
R515	1-218-696-11	s	RESISTOR,CHIP 1.5K 1/16W(1608)
R516	1-218-696-11	s	RESISTOR,CHIP 1.5K 1/16W(1608)
R517	1-218-696-11	s	RESISTOR,CHIP 1.5K 1/16W(1608)
R518	1-218-696-11	s	RESISTOR,CHIP 1.5K 1/16W(1608)
R519	1-218-720-11	s	RESISTOR,CHIP 15K 1/16W(1608)
R520	1-218-720-11	s	RESISTOR,CHIP 15K 1/16W(1608)
R521	1-218-720-11	s	RESISTOR,CHIP 15K 1/16W(1608)
R522	1-218-720-11	s	RESISTOR,CHIP 15K 1/16W(1608)
R523	1-218-692-11	s	RESISTOR,CHIP 1.0K 1/16W(1608)
R524	1-218-692-11	s	RESISTOR,CHIP 1.0K 1/16W(1608)
R525	1-218-738-11	s	RESISTOR,CHIP 82K 1/16W(1608)
R526	1-218-738-11	s	RESISTOR,CHIP 82K 1/16W(1608)
R527	1-218-700-11	s	RESISTOR,CHIP 2.2K 1/16W(1608)
R528	1-218-700-11	s	RESISTOR,CHIP 2.2K 1/16W(1608)
R533	1-218-724-11	s	RESISTOR,CHIP 22K 1/16W(1608)
R534	1-218-724-11	s	RESISTOR,CHIP 22K 1/16W(1608)
R535	1-218-692-11	s	RESISTOR,CHIP 1.0K 1/16W(1608)
R536	1-218-706-11	s	RESISTOR,CHIP 3.9K 1/16W(1608)
R537	1-218-692-11	s	RESISTOR,CHIP 1.0K 1/16W(1608)
R538	1-218-706-11	s	RESISTOR,CHIP 3.9K 1/16W(1608)
R539	1-218-716-11	s	RESISTOR,CHIP 10K 1/16W(1608)
R540	1-218-716-11	s	RESISTOR,CHIP 10K 1/16W(1608)
R541	1-218-716-11	s	RESISTOR,CHIP 10K 1/16W(1608)

(APR-1B BOARD for DVW-510P, suffix 16 or higher)

Ref. No. or Q'ty	Part No.	SP	Description
R542	1-218-716-11	s	RESISTOR,CHIP 10K 1/16W(1608)
R543	1-218-716-11	s	RESISTOR,CHIP 10K 1/16W(1608)
R544	1-218-716-11	s	RESISTOR,CHIP 10K 1/16W(1608)
R545	1-218-720-11	s	RESISTOR,CHIP 15K 1/16W(1608)
R546	1-218-720-11	s	RESISTOR,CHIP 15K 1/16W(1608)
R547	1-218-723-11	s	RESISTOR,CHIP 20K 1/16W(1608)
R548	1-218-718-11	s	RESISTOR CHIP 12K 1/16W (1608)
R549	1-218-714-11	s	RESISTOR,CHIP 8.2K 1/16W(1608)
R550	1-218-723-11	s	RESISTOR,CHIP 20K 1/16W(1608)
R551	1-218-718-11	s	RESISTOR CHIP 12K 1/16W (1608)
R552	1-218-714-11	s	RESISTOR,CHIP 8.2K 1/16W(1608)
R553	1-218-693-11	s	RESISTOR,CHIP 1.1K 1/16W(1608)
R554	1-218-693-11	s	RESISTOR,CHIP 1.1K 1/16W(1608)
R555	1-218-682-11	s	RESISTOR,CHIP 390 1/16W (1608)
R556	1-218-687-11	s	RESISTOR CHIP 620 1/16W (1608)
R557	1-218-689-11	s	RESISTOR CHIP 750 1/16W (1608)
R558	1-218-672-11	s	RESISTOR,CHIP 150 1/16W(1608)
R559	1-218-682-11	s	RESISTOR,CHIP 390 1/16W (1608)
R560	1-218-687-11	s	RESISTOR CHIP 620 1/16W (1608)
R561	1-218-689-11	s	RESISTOR CHIP 750 1/16W (1608)
R562	1-218-672-11	s	RESISTOR,CHIP 150 1/16W(1608)
R563	1-218-367-11	s	RESISTOR,METAL FILM CHIP 10K
R564	1-218-367-11	s	RESISTOR,METAL FILM CHIP 10K
R565	1-218-367-11	s	RESISTOR,METAL FILM CHIP 10K
R566	1-218-367-11	s	RESISTOR,METAL FILM CHIP 10K
R567	1-211-998-11	s	RESISTOR, METAL FILM CHIP 4.7K
R568	1-211-998-11	s	RESISTOR, METAL FILM CHIP 4.7K
R569	1-211-998-11	s	RESISTOR, METAL FILM CHIP 4.7K
R570	1-211-998-11	s	RESISTOR, METAL FILM CHIP 4.7K
R571	1-211-998-11	s	RESISTOR, METAL FILM CHIP 4.7K
R572	1-211-998-11	s	RESISTOR, METAL FILM CHIP 4.7K
R573	1-211-998-11	s	RESISTOR, METAL FILM CHIP 4.7K
R574	1-211-998-11	s	RESISTOR, METAL FILM CHIP 4.7K
R575	1-218-367-11	s	RESISTOR,METAL FILM CHIP 10K
R576	1-218-367-11	s	RESISTOR,METAL FILM CHIP 10K
R577	1-218-367-11	s	RESISTOR,METAL FILM CHIP 10K
R578	1-218-367-11	s	RESISTOR,METAL FILM CHIP 10K
R579	1-218-692-11	s	RESISTOR,CHIP 1.0K 1/16W(1608)
R580	1-218-367-11	s	RESISTOR,METAL FILM CHIP 10K
R581	1-218-740-11	s	RESISTOR,CHIP 100K 1/16W(1608)
R582	1-218-367-11	s	RESISTOR,METAL FILM CHIP 10K
R583	1-218-692-11	s	RESISTOR,CHIP 1.0K 1/16W(1608)
R584	1-218-740-11	s	RESISTOR,CHIP 100K 1/16W(1608)
R585	1-218-692-11	s	RESISTOR,CHIP 1.0K 1/16W(1608)
R586	1-218-367-11	s	RESISTOR,METAL FILM CHIP 10K
R587	1-218-740-11	s	RESISTOR,CHIP 100K 1/16W(1608)
R588	1-218-367-11	s	RESISTOR,METAL FILM CHIP 10K
R589	1-218-692-11	s	RESISTOR,CHIP 1.0K 1/16W(1608)
R590	1-218-740-11	s	RESISTOR,CHIP 100K 1/16W(1608)
R591	1-218-660-91	s	RESISTOR,CHIP 47 1/16W (1608)
R592	1-218-660-91	s	RESISTOR,CHIP 47 1/16W (1608)
R593	1-218-660-91	s	RESISTOR,CHIP 47 1/16W (1608)
R594	1-218-660-91	s	RESISTOR,CHIP 47 1/16W (1608)
R595	1-218-740-11	s	RESISTOR,CHIP 100K 1/16W(1608)
R596	1-218-740-11	s	RESISTOR,CHIP 100K 1/16W(1608)
R597	1-218-740-11	s	RESISTOR,CHIP 100K 1/16W(1608)
R598	1-218-740-11	s	RESISTOR,CHIP 100K 1/16W(1608)
R599	1-242-834-11	s	RESISTOR, METAL FILM CHIP 33
R600	1-242-834-11	s	RESISTOR, METAL FILM CHIP 33

(APR-1B BOARD for DVW-510P, suffix 16 or higher)

Ref. No. or Q'ty	Part No.	SP Description
R601	1-218-716-11	s RESISTOR,CHIP 10K 1/16W(1608)
R602	1-218-716-11	s RESISTOR,CHIP 10K 1/16W(1608)
R603	1-242-834-11	s RESISTOR, METAL FILM CHIP 33
R604	1-242-834-11	s RESISTOR, METAL FILM CHIP 33
R605	1-218-716-11	s RESISTOR,CHIP 10K 1/16W(1608)
R606	1-218-716-11	s RESISTOR,CHIP 10K 1/16W(1608)
R607	1-242-834-11	s RESISTOR, METAL FILM CHIP 33
R608	1-242-834-11	s RESISTOR, METAL FILM CHIP 33
R609	1-218-716-11	s RESISTOR,CHIP 10K 1/16W(1608)
R610	1-218-716-11	s RESISTOR,CHIP 10K 1/16W(1608)
R611	1-242-834-11	s RESISTOR, METAL FILM CHIP 33
R612	1-242-834-11	s RESISTOR, METAL FILM CHIP 33
R613	1-218-716-11	s RESISTOR,CHIP 10K 1/16W(1608)
R614	1-218-716-11	s RESISTOR,CHIP 10K 1/16W(1608)
R615	1-218-680-11	s RESISTOR,CHIP 330 1/16W(1608)
R616	1-218-680-11	s RESISTOR,CHIP 330 1/16W(1608)
R617	1-218-692-11	s RESISTOR,CHIP 1.0K 1/16W(1608)
R618	1-218-692-11	s RESISTOR,CHIP 1.0K 1/16W(1608)
R620	1-218-660-91	s RESISTOR,CHIP 47 1/16W (1608)
R621	1-218-660-91	s RESISTOR,CHIP 47 1/16W (1608)
R622	1-218-660-91	s RESISTOR,CHIP 47 1/16W (1608)
R623	1-218-660-91	s RESISTOR,CHIP 47 1/16W (1608)
R626	1-218-731-11	s RESISTOR,METAL 43K 1/16
R627	1-218-721-11	s RESISTOR,CHIP 16K 1/16W(1608)
R628	1-218-711-11	s RESISTOR,METAL 6.2K 1/16W
R630	1-218-731-11	s RESISTOR,METAL 43K 1/16
R631	1-218-721-11	s RESISTOR,CHIP 16K 1/16W(1608)
R632	1-218-695-11	s RESISTOR,CHIP 1.3K 1/16W(1608)
R633	1-218-711-11	s RESISTOR,METAL 6.2K 1/16W
R634	1-218-695-11	s RESISTOR,CHIP 1.3K 1/16W(1608)
R640	1-216-857-11	s RESISTOR, CHIP 1.0M 1/16W 1608
R641	1-216-857-11	s RESISTOR, CHIP 1.0M 1/16W 1608
R701	1-218-716-11	s RESISTOR,CHIP 10K 1/16W(1608)
R703	1-218-716-11	s RESISTOR,CHIP 10K 1/16W(1608)
R704	1-218-716-11	s RESISTOR,CHIP 10K 1/16W(1608)
R705	1-216-857-11	s RESISTOR, CHIP 1.0M 1/16W 1608
R706	1-216-857-11	s RESISTOR, CHIP 1.0M 1/16W 1608
R707	1-218-700-11	s RESISTOR,CHIP 2.2K 1/16W(1608)
R708	1-218-700-11	s RESISTOR,CHIP 2.2K 1/16W(1608)
R709	1-218-679-91	s RESISTOR, METAL FILM 300 1/16W
R710	1-218-679-91	s RESISTOR, METAL FILM 300 1/16W
R711	1-218-717-11	s RESISTOR,CHIP 11K 1/16W (1608)
R712	1-218-717-11	s RESISTOR,CHIP 11K 1/16W (1608)
R713	1-218-724-11	s RESISTOR,CHIP 22K 1/16W(1608)
R714	1-218-724-11	s RESISTOR,CHIP 22K 1/16W(1608)
R715	1-218-696-11	s RESISTOR,CHIP 1.5K 1/16W(1608)
R716	1-218-696-11	s RESISTOR,CHIP 1.5K 1/16W(1608)
R717	1-218-696-11	s RESISTOR,CHIP 1.5K 1/16W(1608)
R718	1-218-696-11	s RESISTOR,CHIP 1.5K 1/16W(1608)
R719	1-218-720-11	s RESISTOR,CHIP 15K 1/16W(1608)
R720	1-218-720-11	s RESISTOR,CHIP 15K 1/16W(1608)
R721	1-218-720-11	s RESISTOR,CHIP 15K 1/16W(1608)
R722	1-218-720-11	s RESISTOR,CHIP 15K 1/16W(1608)
R723	1-218-692-11	s RESISTOR,CHIP 1.0K 1/16W(1608)
R724	1-218-692-11	s RESISTOR,CHIP 1.0K 1/16W(1608)
R725	1-218-738-11	s RESISTOR,CHIP 82K 1/16W(1608)
R726	1-218-738-11	s RESISTOR,CHIP 82K 1/16W(1608)
R727	1-218-700-11	s RESISTOR,CHIP 2.2K 1/16W(1608)
R728	1-218-700-11	s RESISTOR,CHIP 2.2K 1/16W(1608)

(APR-1B BOARD for DVW-510P, suffix 16 or higher)

Ref. No. or Q'ty	Part No.	SP Description
R733	1-218-724-11	s RESISTOR,CHIP 22K 1/16W(1608)
R734	1-218-724-11	s RESISTOR,CHIP 22K 1/16W(1608)
R735	1-218-692-11	s RESISTOR,CHIP 1.0K 1/16W(1608)
R736	1-218-706-11	s RESISTOR,CHIP 3.9K 1/16W(1608)
R737	1-218-692-11	s RESISTOR,CHIP 1.0K 1/16W(1608)
R738	1-218-706-11	s RESISTOR,CHIP 3.9K 1/16W(1608)
R739	1-218-716-11	s RESISTOR,CHIP 10K 1/16W(1608)
R740	1-218-716-11	s RESISTOR,CHIP 10K 1/16W(1608)
R741	1-218-716-11	s RESISTOR,CHIP 10K 1/16W(1608)
R742	1-218-716-11	s RESISTOR,CHIP 10K 1/16W(1608)
R743	1-218-716-11	s RESISTOR,CHIP 10K 1/16W(1608)
R744	1-218-716-11	s RESISTOR,CHIP 10K 1/16W(1608)
R745	1-218-720-11	s RESISTOR,CHIP 15K 1/16W(1608)
R746	1-218-720-11	s RESISTOR,CHIP 15K 1/16W(1608)
R747	1-218-723-11	s RESISTOR,CHIP 20K 1/16W(1608)
R748	1-218-718-11	s RESISTOR CHIP 12K 1/16W (1608)
R749	1-218-714-11	s RESISTOR,CHIP 8.2K 1/16W(1608)
R750	1-218-723-11	s RESISTOR,CHIP 20K 1/16W(1608)
R751	1-218-718-11	s RESISTOR CHIP 12K 1/16W (1608)
R752	1-218-714-11	s RESISTOR,CHIP 8.2K 1/16W(1608)
R753	1-218-693-11	s RESISTOR,CHIP 1.1K 1/16W(1608)
R754	1-218-693-11	s RESISTOR,CHIP 1.1K 1/16W(1608)
R755	1-218-682-11	s RESISTOR,CHIP 390 1/16W (1608)
R756	1-218-687-11	s RESISTOR CHIP 620 1/16W (1608)
R757	1-218-689-11	s RESISTOR CHIP 750 1/16W (1608)
R758	1-218-672-11	s RESISTOR,CHIP 150 1/16W(1608)
R759	1-218-682-11	s RESISTOR,CHIP 390 1/16W (1608)
R760	1-218-687-11	s RESISTOR CHIP 620 1/16W (1608)
R761	1-218-689-11	s RESISTOR CHIP 750 1/16W (1608)
R762	1-218-672-11	s RESISTOR,CHIP 150 1/16W(1608)
R763	1-218-367-11	s RESISTOR,METAL FILM CHIP 10K
R764	1-218-367-11	s RESISTOR,METAL FILM CHIP 10K
R765	1-218-367-11	s RESISTOR,METAL FILM CHIP 10K
R766	1-218-367-11	s RESISTOR,METAL FILM CHIP 10K
R767	1-211-998-11	s RESISTOR, METAL FILM CHIP 4.7K
R768	1-211-998-11	s RESISTOR, METAL FILM CHIP 4.7K
R769	1-211-998-11	s RESISTOR, METAL FILM CHIP 4.7K
R770	1-211-998-11	s RESISTOR, METAL FILM CHIP 4.7K
R771	1-211-998-11	s RESISTOR, METAL FILM CHIP 4.7K
R772	1-211-998-11	s RESISTOR, METAL FILM CHIP 4.7K
R773	1-211-998-11	s RESISTOR, METAL FILM CHIP 4.7K
R774	1-211-998-11	s RESISTOR, METAL FILM CHIP 4.7K
R775	1-218-367-11	s RESISTOR,METAL FILM CHIP 10K
R776	1-218-367-11	s RESISTOR,METAL FILM CHIP 10K
R777	1-218-367-11	s RESISTOR,METAL FILM CHIP 10K
R778	1-218-367-11	s RESISTOR,METAL FILM CHIP 10K
R779	1-218-692-11	s RESISTOR,CHIP 1.0K 1/16W(1608)
R780	1-218-367-11	s RESISTOR,METAL FILM CHIP 10K
R781	1-218-740-11	s RESISTOR,CHIP 100K 1/16W(1608)
R782	1-218-367-11	s RESISTOR,METAL FILM CHIP 10K
R783	1-218-692-11	s RESISTOR,CHIP 1.0K 1/16W(1608)
R784	1-218-740-11	s RESISTOR,CHIP 100K 1/16W(1608)
R785	1-218-692-11	s RESISTOR,CHIP 1.0K 1/16W(1608)
R786	1-218-367-11	s RESISTOR,METAL FILM CHIP 10K
R787	1-218-740-11	s RESISTOR,CHIP 100K 1/16W(1608)
R788	1-218-367-11	s RESISTOR,METAL FILM CHIP 10K
R789	1-218-692-11	s RESISTOR,CHIP 1.0K 1/16W(1608)
R790	1-218-740-11	s RESISTOR,CHIP 100K 1/16W(1608)
R791	1-218-660-91	s RESISTOR,CHIP 47 1/16W (1608)

(APR-1B BOARD for DVW-510P, suffix 16 or higher)

Ref. No. or Q'ty	Part No.	SP	Description
R792	1-218-660-91	s	RESISTOR,CHIP 47 1/16W (1608)
R793	1-218-660-91	s	RESISTOR,CHIP 47 1/16W (1608)
R794	1-218-660-91	s	RESISTOR,CHIP 47 1/16W (1608)
R795	1-218-740-11	s	RESISTOR,CHIP 100K 1/16W(1608)
R796	1-218-740-11	s	RESISTOR,CHIP 100K 1/16W(1608)
R797	1-218-740-11	s	RESISTOR,CHIP 100K 1/16W(1608)
R798	1-218-740-11	s	RESISTOR,CHIP 100K 1/16W(1608)
R799	1-242-834-11	s	RESISTOR, METAL FILM CHIP 33
R800	1-242-834-11	s	RESISTOR, METAL FILM CHIP 33
R801	1-218-716-11	s	RESISTOR,CHIP 10K 1/16W(1608)
R802	1-218-716-11	s	RESISTOR,CHIP 10K 1/16W(1608)
R803	1-242-834-11	s	RESISTOR, METAL FILM CHIP 33
R804	1-242-834-11	s	RESISTOR, METAL FILM CHIP 33
R805	1-218-716-11	s	RESISTOR,CHIP 10K 1/16W(1608)
R806	1-218-716-11	s	RESISTOR,CHIP 10K 1/16W(1608)
R807	1-242-834-11	s	RESISTOR, METAL FILM CHIP 33
R808	1-242-834-11	s	RESISTOR, METAL FILM CHIP 33
R809	1-218-716-11	s	RESISTOR,CHIP 10K 1/16W(1608)
R810	1-218-716-11	s	RESISTOR,CHIP 10K 1/16W(1608)
R811	1-242-834-11	s	RESISTOR, METAL FILM CHIP 33
R812	1-242-834-11	s	RESISTOR, METAL FILM CHIP 33
R813	1-218-716-11	s	RESISTOR,CHIP 10K 1/16W(1608)
R814	1-218-716-11	s	RESISTOR,CHIP 10K 1/16W(1608)
R815	1-218-680-11	s	RESISTOR,CHIP 330 1/16W(1608)
R816	1-218-680-11	s	RESISTOR,CHIP 330 1/16W(1608)
R817	1-218-692-11	s	RESISTOR,CHIP 1.0K 1/16W(1608)
R818	1-218-692-11	s	RESISTOR,CHIP 1.0K 1/16W(1608)
R820	1-218-660-91	s	RESISTOR,CHIP 47 1/16W (1608)
R821	1-218-660-91	s	RESISTOR,CHIP 47 1/16W (1608)
R822	1-218-660-91	s	RESISTOR,CHIP 47 1/16W (1608)
R823	1-218-660-91	s	RESISTOR,CHIP 47 1/16W (1608)
R826	1-218-731-11	s	RESISTOR,METAL 43K 1/16
R827	1-218-721-11	s	RESISTOR,CHIP 16K 1/16W(1608)
R828	1-218-711-11	s	RESISTOR,METAL 6.2K 1/16W
R830	1-218-731-11	s	RESISTOR,METAL 43K 1/16
R831	1-218-721-11	s	RESISTOR,CHIP 16K 1/16W(1608)
R832	1-218-695-11	s	RESISTOR,CHIP 1.3K 1/16W(1608)
R833	1-218-711-11	s	RESISTOR,METAL 6.2K 1/16W
R834	1-218-695-11	s	RESISTOR,CHIP 1.3K 1/16W(1608)
R840	1-216-857-11	s	RESISTOR, CHIP 1.0M 1/16W 1608
R841	1-216-857-11	s	RESISTOR, CHIP 1.0M 1/16W 1608
R903	1-218-696-11	s	RESISTOR,CHIP 1.5K 1/16W(1608)
R904	1-218-716-11	s	RESISTOR,CHIP 10K 1/16W(1608)
R905	1-218-685-11	s	RESISTOR, METAL FILM 510 1/16W
R907	1-218-716-11	s	RESISTOR,CHIP 10K 1/16W(1608)
R908	1-218-716-11	s	RESISTOR,CHIP 10K 1/16W(1608)
R909	1-216-857-11	s	RESISTOR, CHIP 1.0M 1/16W 1608
R910	1-216-857-11	s	RESISTOR, CHIP 1.0M 1/16W 1608
R911	1-218-708-11	s	RESISTOR,CHIP 4.7K 1/16W(1608)
R912	1-218-708-11	s	RESISTOR,CHIP 4.7K 1/16W(1608)
R913	1-218-679-91	s	RESISTOR, METAL FILM 300 1/16W
R914	1-218-679-91	s	RESISTOR, METAL FILM 300 1/16W
R915	1-218-660-91	s	RESISTOR,CHIP 47 1/16W (1608)
R916	1-218-660-91	s	RESISTOR,CHIP 47 1/16W (1608)
R917	1-218-717-11	s	RESISTOR,CHIP 11K 1/16W (1608)
R918	1-218-717-11	s	RESISTOR,CHIP 11K 1/16W (1608)
R919	1-218-724-11	s	RESISTOR,CHIP 22K 1/16W(1608)
R920	1-218-724-11	s	RESISTOR,CHIP 22K 1/16W(1608)
R921	1-218-696-11	s	RESISTOR,CHIP 1.5K 1/16W(1608)

(APR-1B BOARD for DVW-510P, suffix 16 or higher)

Ref. No. or Q'ty	Part No.	SP	Description
R922	1-218-696-11	s	RESISTOR,CHIP 1.5K 1/16W(1608)
R923	1-218-660-91	s	RESISTOR,CHIP 47 1/16W (1608)
R924	1-218-696-11	s	RESISTOR,CHIP 1.5K 1/16W(1608)
R925	1-218-696-11	s	RESISTOR,CHIP 1.5K 1/16W(1608)
R926	1-218-660-91	s	RESISTOR,CHIP 47 1/16W (1608)
R927	1-218-720-11	s	RESISTOR,CHIP 15K 1/16W(1608)
R928	1-218-720-11	s	RESISTOR,CHIP 15K 1/16W(1608)
R929	1-218-720-11	s	RESISTOR,CHIP 15K 1/16W(1608)
R930	1-218-720-11	s	RESISTOR,CHIP 15K 1/16W(1608)
R931	1-218-692-11	s	RESISTOR,CHIP 1.0K 1/16W(1608)
R932	1-218-692-11	s	RESISTOR,CHIP 1.0K 1/16W(1608)
R933	1-218-738-11	s	RESISTOR,CHIP 82K 1/16W(1608)
R934	1-218-738-11	s	RESISTOR,CHIP 82K 1/16W(1608)
R935	1-218-700-11	s	RESISTOR,CHIP 2.2K 1/16W(1608)
R936	1-218-700-11	s	RESISTOR,CHIP 2.2K 1/16W(1608)
R941	1-218-724-11	s	RESISTOR,CHIP 22K 1/16W(1608)
R942	1-218-724-11	s	RESISTOR,CHIP 22K 1/16W(1608)
R943	1-218-692-11	s	RESISTOR,CHIP 1.0K 1/16W(1608)
R944	1-218-706-11	s	RESISTOR,CHIP 3.9K 1/16W(1608)
R945	1-218-692-11	s	RESISTOR,CHIP 1.0K 1/16W(1608)
R946	1-218-706-11	s	RESISTOR,CHIP 3.9K 1/16W(1608)
R947	1-218-716-11	s	RESISTOR,CHIP 10K 1/16W(1608)
R948	1-218-716-11	s	RESISTOR,CHIP 10K 1/16W(1608)
R949	1-218-716-11	s	RESISTOR,CHIP 10K 1/16W(1608)
R950	1-218-716-11	s	RESISTOR,CHIP 10K 1/16W(1608)
R951	1-218-716-11	s	RESISTOR,CHIP 10K 1/16W(1608)
R952	1-218-716-11	s	RESISTOR,CHIP 10K 1/16W(1608)
R953	1-218-716-11	s	RESISTOR,CHIP 10K 1/16W(1608)
R954	1-218-716-11	s	RESISTOR,CHIP 10K 1/16W(1608)
R955	1-218-716-11	s	RESISTOR,CHIP 10K 1/16W(1608)
R956	1-218-716-11	s	RESISTOR,CHIP 10K 1/16W(1608)
R957	1-216-857-11	s	RESISTOR, CHIP 1.0M 1/16W 1608
R958	1-216-857-11	s	RESISTOR, CHIP 1.0M 1/16W 1608
R959	1-218-716-11	s	RESISTOR,CHIP 10K 1/16W(1608)
R960	1-218-716-11	s	RESISTOR,CHIP 10K 1/16W(1608)
R961	1-218-716-11	s	RESISTOR,CHIP 10K 1/16W(1608)
R962	1-218-716-11	s	RESISTOR,CHIP 10K 1/16W(1608)
R963	1-218-720-11	s	RESISTOR,CHIP 15K 1/16W(1608)
R964	1-218-720-11	s	RESISTOR,CHIP 15K 1/16W(1608)
R965	1-218-723-11	s	RESISTOR,CHIP 20K 1/16W(1608)
R966	1-218-718-11	s	RESISTOR CHIP 12K 1/16W (1608)
R967	1-218-714-11	s	RESISTOR,CHIP 8.2K 1/16W(1608)
R968	1-218-723-11	s	RESISTOR,CHIP 20K 1/16W(1608)
R969	1-218-718-11	s	RESISTOR CHIP 12K 1/16W (1608)
R970	1-218-714-11	s	RESISTOR,CHIP 8.2K 1/16W(1608)
R971	1-218-693-11	s	RESISTOR,CHIP 1.1K 1/16W(1608)
R972	1-218-693-11	s	RESISTOR,CHIP 1.1K 1/16W(1608)
R973	1-218-682-11	s	RESISTOR,CHIP 390 1/16W (1608)
R974	1-218-687-11	s	RESISTOR CHIP 620 1/16W (1608)
R975	1-218-689-11	s	RESISTOR CHIP 750 1/16W (1608)
R976	1-218-672-11	s	RESISTOR,CHIP 150 1/16W(1608)
R977	1-218-682-11	s	RESISTOR,CHIP 390 1/16W (1608)
R978	1-218-687-11	s	RESISTOR CHIP 620 1/16W (1608)
R979	1-218-689-11	s	RESISTOR CHIP 750 1/16W (1608)
R980	1-218-672-11	s	RESISTOR,CHIP 150 1/16W(1608)
R981	1-218-367-11	s	RESISTOR,METAL FILM CHIP 10K
R982	1-218-367-11	s	RESISTOR,METAL FILM CHIP 10K
R983	1-218-367-11	s	RESISTOR,METAL FILM CHIP 10K
R984	1-218-367-11	s	RESISTOR,METAL FILM CHIP 10K

(APR-1B BOARD for DVW-510P, suffix 16 or higher)

Ref. No. or Q'ty	Part No.	SP Description
R985	1-211-998-11	s RESISTOR, METAL FILM CHIP 4.7K
R986	1-211-998-11	s RESISTOR, METAL FILM CHIP 4.7K
R987	1-211-998-11	s RESISTOR, METAL FILM CHIP 4.7K
R988	1-211-998-11	s RESISTOR, METAL FILM CHIP 4.7K
R989	1-211-998-11	s RESISTOR, METAL FILM CHIP 4.7K
R990	1-211-998-11	s RESISTOR, METAL FILM CHIP 4.7K
R991	1-211-998-11	s RESISTOR, METAL FILM CHIP 4.7K
R992	1-211-998-11	s RESISTOR, METAL FILM CHIP 4.7K
R993	1-218-367-11	s RESISTOR,METAL FILM CHIP 10K
R994	1-218-367-11	s RESISTOR,METAL FILM CHIP 10K
R995	1-218-367-11	s RESISTOR,METAL FILM CHIP 10K
R996	1-218-367-11	s RESISTOR,METAL FILM CHIP 10K
R997	1-218-692-11	s RESISTOR,CHIP 1.0K 1/16W(1608)
R998	1-218-367-11	s RESISTOR,METAL FILM CHIP 10K
R999	1-218-740-11	s RESISTOR,CHIP 100K 1/16W(1608)
R1000	1-218-367-11	s RESISTOR,METAL FILM CHIP 10K
R1001	1-218-692-11	s RESISTOR,CHIP 1.0K 1/16W(1608)
R1002	1-218-740-11	s RESISTOR,CHIP 100K 1/16W(1608)
R1003	1-218-692-11	s RESISTOR,CHIP 1.0K 1/16W(1608)
R1004	1-218-367-11	s RESISTOR,METAL FILM CHIP 10K
R1005	1-218-740-11	s RESISTOR,CHIP 100K 1/16W(1608)
R1006	1-218-367-11	s RESISTOR,METAL FILM CHIP 10K
R1007	1-218-834-11	s RESISTOR,CHIP 1.0K 1/16W(1608)
R1008	1-218-740-11	s RESISTOR,CHIP 100K 1/16W(1608)
R1009	1-218-660-91	s RESISTOR,CHIP 47 1/16W (1608)
R1010	1-218-660-91	s RESISTOR,CHIP 47 1/16W (1608)
R1011	1-218-660-91	s RESISTOR,CHIP 47 1/16W (1608)
R1012	1-218-660-91	s RESISTOR,CHIP 47 1/16W (1608)
R1013	1-218-740-11	s RESISTOR,CHIP 100K 1/16W(1608)
R1014	1-218-740-11	s RESISTOR,CHIP 100K 1/16W(1608)
R1015	1-218-740-11	s RESISTOR,CHIP 100K 1/16W(1608)
R1016	1-218-740-11	s RESISTOR,CHIP 100K 1/16W(1608)
R1017	1-242-834-11	s RESISTOR, METAL FILM CHIP 33
R1018	1-242-834-11	s RESISTOR, METAL FILM CHIP 33
R1019	1-218-716-11	s RESISTOR,CHIP 10K 1/16W(1608)
R1020	1-218-716-11	s RESISTOR,CHIP 10K 1/16W(1608)
R1021	1-242-834-11	s RESISTOR, METAL FILM CHIP 33
R1022	1-242-834-11	s RESISTOR, METAL FILM CHIP 33
R1023	1-218-716-11	s RESISTOR,CHIP 10K 1/16W(1608)
R1024	1-242-834-11	s RESISTOR, METAL FILM CHIP 33
R1025	1-242-834-11	s RESISTOR, METAL FILM CHIP 33
R1026	1-218-716-11	s RESISTOR,CHIP 10K 1/16W(1608)
R1027	1-218-716-11	s RESISTOR,CHIP 10K 1/16W(1608)
R1028	1-242-834-11	s RESISTOR, METAL FILM CHIP 33
R1029	1-242-834-11	s RESISTOR, METAL FILM CHIP 33
R1030	1-218-716-11	s RESISTOR,CHIP 10K 1/16W(1608)
R1031	1-218-716-11	s RESISTOR,CHIP 10K 1/16W(1608)
R1032	1-218-716-11	s RESISTOR,CHIP 10K 1/16W(1608)
R1033	1-218-680-11	s RESISTOR,CHIP 330 1/16W(1608)
R1034	1-218-680-11	s RESISTOR,CHIP 330 1/16W(1608)
R1035	1-218-708-11	s RESISTOR,CHIP 4.7K 1/16W(1608)
R1036	1-218-708-11	s RESISTOR,CHIP 4.7K 1/16W(1608)
R1040	1-216-857-11	s RESISTOR, CHIP 1.0M 1/16W 1608
R1041	1-216-857-11	s RESISTOR, CHIP 1.0M 1/16W 1608
R1047	1-218-660-91	s RESISTOR,CHIP 47 1/16W (1608)
R1048	1-218-731-11	s RESISTOR,METAL 43K 1/16
R1049	1-218-721-11	s RESISTOR,CHIP 16K 1/16W(1608)
R1050	1-218-711-11	s RESISTOR,METAL 6.2K 1/16W
R1051	1-218-731-11	s RESISTOR,METAL 43K 1/16

(APR-1B BOARD for DVW-510P, suffix 16 or higher)

Ref. No. or Q'ty	Part No.	SP Description
R1052	1-218-721-11	s RESISTOR,CHIP 16K 1/16W(1608)
R1053	1-218-695-11	s RESISTOR,CHIP 1.3K 1/16W(1608)
R1054	1-218-716-11	s RESISTOR,CHIP 10K 1/16W(1608)
R1055	1-218-716-11	s RESISTOR,CHIP 10K 1/16W(1608)
R1056	1-218-717-11	s RESISTOR,CHIP 11K 1/16W (1608)
R1057	1-218-696-11	s RESISTOR,CHIP 1.5K 1/16W(1608)
R1058	1-218-716-11	s RESISTOR,CHIP 10K 1/16W(1608)
R1059	1-218-716-11	s RESISTOR,CHIP 10K 1/16W(1608)
R1060	1-218-696-11	s RESISTOR,CHIP 1.5K 1/16W(1608)
R1061	1-218-717-11	s RESISTOR,CHIP 11K 1/16W (1608)
R1064	1-218-711-11	s RESISTOR,METAL 6.2K 1/16W
R1065	1-218-695-11	s RESISTOR,CHIP 1.3K 1/16W(1608)
R1072	1-218-728-11	s RESISTOR,METAL 33K 1/16W
R1073	1-218-728-11	s RESISTOR,METAL 33K 1/16W
R1074	1-218-716-11	s RESISTOR,CHIP 10K 1/16W(1608)
R1075	1-218-716-11	s RESISTOR,CHIP 10K 1/16W(1608)
R1076	1-218-692-11	s RESISTOR,CHIP 1.0K 1/16W(1608)
R1077	1-218-692-11	s RESISTOR,CHIP 1.0K 1/16W(1608)
R1078	1-218-716-11	s RESISTOR,CHIP 10K 1/16W(1608)
R1079	1-218-716-11	s RESISTOR,CHIP 10K 1/16W(1608)
R1200	1-218-652-11	s RESISTOR,CHIP 22 1/16W (1608)
R1201	1-218-652-11	s RESISTOR,CHIP 22 1/16W (1608)
R1202	1-218-652-11	s RESISTOR,CHIP 22 1/16W (1608)
R1203	1-218-652-11	s RESISTOR,CHIP 22 1/16W (1608)
R1204	1-218-652-11	s RESISTOR,CHIP 22 1/16W (1608)
R1205	1-218-652-11	s RESISTOR,CHIP 22 1/16W (1608)
R1206	1-218-652-11	s RESISTOR,CHIP 22 1/16W (1608)
R1207	1-218-652-11	s RESISTOR,CHIP 22 1/16W (1608)
R1208	1-218-652-11	s RESISTOR,CHIP 22 1/16W (1608)
R1209	1-218-652-11	s RESISTOR,CHIP 22 1/16W (1608)
R1210	1-218-652-11	s RESISTOR,CHIP 22 1/16W (1608)
R1211	1-218-652-11	s RESISTOR,CHIP 22 1/16W (1608)
R1212	1-218-652-11	s RESISTOR,CHIP 22 1/16W (1608)
R1213	1-218-652-11	s RESISTOR,CHIP 22 1/16W (1608)
R1214	1-218-652-11	s RESISTOR,CHIP 22 1/16W (1608)
R1215	1-218-652-11	s RESISTOR,CHIP 22 1/16W (1608)
R1300	1-216-033-00	s RESISTOR,CHIP 220 1/10W(2012)
R1301	1-216-033-00	s RESISTOR,CHIP 220 1/10W(2012)
R1306	1-216-033-00	s RESISTOR,CHIP 220 1/10W(2012)
R1308	1-216-033-00	s RESISTOR,CHIP 220 1/10W(2012)
R1310	1-216-033-00	s RESISTOR,CHIP 220 1/10W(2012)
R1311	1-216-033-00	s RESISTOR,CHIP 220 1/10W(2012)
R1312	1-216-033-00	s RESISTOR,CHIP 220 1/10W(2012)
R1313	1-216-033-00	s RESISTOR,CHIP 220 1/10W(2012)
R1314	1-216-033-00	s RESISTOR,CHIP 220 1/10W(2012)
R1317	1-216-033-00	s RESISTOR,CHIP 220 1/10W(2012)
R1319	1-216-033-00	s RESISTOR,CHIP 220 1/10W(2012)
R1320	1-216-033-00	s RESISTOR,CHIP 220 1/10W(2012)
R1321	1-218-660-91	s RESISTOR,CHIP 47 1/16W (1608)
R1322	1-218-660-91	s RESISTOR,CHIP 47 1/16W (1608)
R1323	1-218-660-91	s RESISTOR,CHIP 47 1/16W (1608)
R1324	1-218-716-11	s RESISTOR,CHIP 10K 1/16W(1608)
R1325	1-218-716-11	s RESISTOR,CHIP 10K 1/16W(1608)
R1416	1-218-716-11	s RESISTOR,CHIP 10K 1/16W(1608)
R1417	1-218-716-11	s RESISTOR,CHIP 10K 1/16W(1608)
R1418	1-218-716-11	s RESISTOR,CHIP 10K 1/16W(1608)
R1530	1-242-834-11	s RESISTOR, METAL FILM CHIP 33
R1531	1-242-834-11	s RESISTOR, METAL FILM CHIP 33
R1532	1-242-834-11	s RESISTOR, METAL FILM CHIP 33

(APR-1B BOARD for DVW-510P, suffix 16 or higher)

Ref. No. or Q'ty	Part No.	SP	Description
R1533	1-242-834-11	s	RESISTOR, METAL FILM CHIP 33
R1540	1-242-834-11	s	RESISTOR, METAL FILM CHIP 33
R1541	1-242-834-11	s	RESISTOR, METAL FILM CHIP 33
R1542	1-242-834-11	s	RESISTOR, METAL FILM CHIP 33
R1543	1-242-834-11	s	RESISTOR, METAL FILM CHIP 33
R1550	1-242-834-11	s	RESISTOR, METAL FILM CHIP 33
R1551	1-242-834-11	s	RESISTOR, METAL FILM CHIP 33
R1552	1-242-834-11	s	RESISTOR, METAL FILM CHIP 33
R1553	1-242-834-11	s	RESISTOR, METAL FILM CHIP 33
RB51	1-239-308-11	s	RESISTOR ARRAY,CHIP 47K
RB53	1-239-306-11	s	RESISTOR ARRAY,CHIP 10K
RB54	1-239-306-11	s	RESISTOR ARRAY,CHIP 10K
RB55	1-239-306-11	s	RESISTOR ARRAY,CHIP 10K
RB1590	1-239-306-11	s	RESISTOR ARRAY,CHIP 10K
RB1591	1-239-306-11	s	RESISTOR ARRAY,CHIP 10K
RV500	1-237-036-11	s	RESISTOR, ADJ,CERMET 10K
RV501	1-237-036-11	s	RESISTOR, ADJ,CERMET 10K
RV700	1-237-036-11	s	RESISTOR, ADJ,CERMET 10K
RV701	1-237-036-11	s	RESISTOR, ADJ,CERMET 10K
RV900	1-237-036-11	s	RESISTOR, ADJ,CERMET 10K
RV901	1-237-036-11	s	RESISTOR, ADJ,CERMET 10K
RV902	1-237-036-11	s	RESISTOR, ADJ,CERMET 10K
RV903	1-237-036-11	s	RESISTOR, ADJ,CERMET 10K
RY502	1-755-380-21	s	RELAY
RY503	1-755-380-21	s	RELAY
RY702	1-755-380-21	s	RELAY
RY703	1-755-380-21	s	RELAY
RY902	1-755-380-21	s	RELAY
RY903	1-755-380-21	s	RELAY
S1530	1-692-881-41	s	SWITCH, SLIDE
S1531	1-692-270-41	s	SWITCH, SLIDE
S1532	1-692-881-41	s	SWITCH, SLIDE
S1533	1-692-270-41	s	SWITCH, SLIDE
S1540	1-692-881-41	s	SWITCH, SLIDE
S1541	1-692-270-41	s	SWITCH, SLIDE
S1542	1-692-881-41	s	SWITCH, SLIDE
S1543	1-692-270-41	s	SWITCH, SLIDE
S1550	1-692-881-41	s	SWITCH, SLIDE
S1551	1-692-881-41	s	SWITCH, SLIDE
S1552	1-692-270-41	s	SWITCH, SLIDE
S1553	1-692-881-41	s	SWITCH, SLIDE
S1554	1-692-881-41	s	SWITCH, SLIDE
S1555	1-692-270-41	s	SWITCH, SLIDE
X50	1-767-717-11	s	VIBRATOR, CRYSTAL

-----  
 APR-1B BOARD for DVW-510P, suffix 31 through 33  
 -----

Ref. No. or Q'ty	Part No.	SP Description
1pc	A-8275-342-A	o MOUNTED CIRCUIT BOARD, APR-1BP
1pc	3-171-453-03	o PLATE (L), SHIELD, CARD
1pc	3-171-454-02	o SHEET (L), CARD
1pc	3-179-084-01	s LEVER (R), PC BOARD
1pc	3-179-085-01	s LEVER (L), PC BOARD
1pc	7-682-902-11	s SCREW +PWH 2.6x5
C52-55	1-163-033-00	s CERAMIC, CHIP 0.022uF 50V (2125)
C58	1-163-037-11	s CERAMIC, CHIP 0.022uF 10% 25V
C59	1-163-033-00	s CERAMIC, CHIP 0.022uF 50V (2125)
C60	1-126-233-11	s ELECT 22uF 20% 50V
C61	1-126-934-11	s ELECT 220uF 20% 16V
C62	1-126-933-11	s ELECT 100uF 20% 16V
C500	1-163-038-00	s CERAMIC, CHIP 0.1uF 25V (2125)
C501	*5 1-126-947-11	s ELECT 47uF 20% 35V
	*4 1-126-964-11	s ELECT 10uF 20% 50V
C502	*5 1-126-233-11	s ELECT 22uF 20% 50V
	*4 1-126-933-11	s ELECT 100uF 20% 16V
C503	1-126-933-11	s ELECT 100uF 20% 16V
C504	*5 1-124-282-00	s ELECT, NONPOLAR 22uF 20% 25V
	*4 1-126-933-11	s ELECT 100uF 20% 16V
C505	1-126-933-11	s ELECT 100uF 20% 16V
C506	*5 1-124-282-00	s ELECT, NONPOLAR 22uF 20% 25V
	*4 1-126-933-11	s ELECT 100uF 20% 16V
C507	1-126-933-11	s ELECT 100uF 20% 16V
C508	1-163-038-00	s CERAMIC, CHIP 0.1uF 25V (2125)
C509	1-163-251-11	s CERAMIC, CHIP 100pF 5% 50V (2125)
C510	1-163-251-11	s CERAMIC, CHIP 100pF 5% 50V
C511	1-163-038-00	s CERAMIC, CHIP 0.1uF 25V (2125)
C512	1-126-964-11	s ELECT 10uF 20% 50V
C513	1-137-366-11	s FILM 0.0022uF 5% 50V
C514	1-137-366-11	s FILM 0.0022uF 5% 50V
C515	1-137-364-11	s FILM 0.001uF 5% 50V
C516	1-137-364-11	s FILM 0.001uF 5% 50V
C517	1-124-278-00	s ELECT, NONPOLAR 10uF 20% 35V
C518	1-124-278-00	s ELECT, NONPOLAR 10uF 20% 35V
C519	1-137-368-11	s FILM 0.0047uF 5% 50V
C520	1-137-368-11	s FILM 0.0047uF 5% 50V
C521	1-163-038-00	s CERAMIC, CHIP 0.1uF 25V (2125)
C522	1-163-038-00	s CERAMIC, CHIP 0.1uF 25V (2125)
C523	*5 1-126-933-11	s ELECT 100uF 20% 16V
C524	*5 1-163-038-00	s CERAMIC, CHIP 0.1uF 25V (2125)
C525-528	1-163-038-00	s CERAMIC, CHIP 0.1uF 25V (2125)
C529	*5 1-163-038-00	s CERAMIC, CHIP 0.1uF 25V (2125)
C530	1-126-964-11	s ELECT 10uF 20% 50V
C531-534	1-124-282-00	s ELECT, NONPOLAR 22uF 20% 25V
C535-538	1-163-235-11	s CERAMIC, CHIP 22pF 5% 50V (2125)
C539-542	1-124-282-00	s ELECT, NONPOLAR 22uF 20% 25V
C543-546	1-163-251-11	s CERAMIC, CHIP 100pF 5% 50V (2125)
C547-550	1-124-282-00	s ELECT, NONPOLAR 22uF 20% 25V
C551	1-137-364-11	s FILM 0.001uF 5% 50V
C552	1-137-364-11	s FILM 0.001uF 5% 50V
C553	1-126-933-11	s ELECT 100uF 20% 16V
C554	1-126-933-11	s ELECT 100uF 20% 16V
C555	1-126-947-11	s ELECT 47uF 20% 35V

(APR-1B BOARD for DVW-510P, suffix 31 through 33)

Ref. No. or Q'ty	Part No.	SP Description
C556	1-126-947-11	s ELECT 47uF 20% 35V
C557	1-163-033-00	s CERAMIC, CHIP 0.022uF 50V (2125)
C558	1-163-033-00	s CERAMIC, CHIP 0.022uF 50V (2125)
C559	1-126-947-11	s ELECT 47uF 20% 35V
C560	1-126-947-11	s ELECT 47uF 20% 35V
C561	1-163-033-00	s CERAMIC, CHIP 0.022uF 50V (2125)
C562	1-163-033-00	s CERAMIC, CHIP 0.022uF 50V (2125)
C563	1-163-227-11	s CERAMIC, CHIP 10pF 5% 50V (2125)
C564	1-163-227-11	s CERAMIC, CHIP 10pF 5% 50V (2125)
C565	*5 1-126-947-11	s ELECT 47uF 20% 35V
C566	*5 1-126-933-11	s ELECT 100uF 20% 16V
C567	*5 1-163-038-00	s CERAMIC, CHIP 0.1uF 25V (2125)
C568	*5 1-126-233-11	s ELECT 22uF 20% 50V
C569	*5 1-126-933-11	s ELECT 100uF 20% 16V
C570	*5 1-163-038-00	s CERAMIC, CHIP 0.1uF 25V (2125)
C571	*5 1-163-038-00	s CERAMIC, CHIP 0.1uF 25V (2125)
C572	*5 1-126-964-11	s ELECT 10uF 20% 50V
C573	*5 1-163-038-00	s CERAMIC, CHIP 0.1uF 25V (2125)
C574	*5 1-126-964-11	s ELECT 10uF 20% 50V
C700	1-163-038-00	s CERAMIC, CHIP 0.1uF 25V (2125)
C701	*5 1-126-947-11	s ELECT 47uF 20% 35V
	*4 1-126-964-11	s ELECT 10uF 20% 50V
C702	*5 1-126-233-11	s ELECT 22uF 20% 50V
	*4 1-126-933-11	s ELECT 100uF 20% 16V
C703	1-126-933-11	s ELECT 100uF 20% 16V
C704	*5 1-124-282-00	s ELECT, NONPOLAR 22uF 20% 25V
	*4 1-126-933-11	s ELECT 100uF 20% 16V
C705	1-126-933-11	s ELECT 100uF 20% 16V
C706	*5 1-124-282-00	s ELECT, NONPOLAR 22uF 20% 25V
	*4 1-126-933-11	s ELECT 100uF 20% 16V
C707	1-126-933-11	s ELECT 100uF 20% 16V
C708	1-163-038-00	s CERAMIC, CHIP 0.1uF 25V (2125)
C709	1-163-251-11	s CERAMIC, CHIP 100pF 5% 50V (2125)
C710	1-163-251-11	s CERAMIC, CHIP 100pF 5% 50V (2125)
C711	1-163-038-00	s CERAMIC, CHIP 0.1uF 25V (2125)
C712	1-126-964-11	s ELECT 10uF 20% 50V
C713	1-137-366-11	s FILM 0.0022uF 5% 50V
C714	1-137-366-11	s FILM 0.0022uF 5% 50V
C715	1-137-364-11	s FILM 0.001uF 5% 50V
C716	1-137-364-11	s FILM 0.001uF 5% 50V
C717	1-124-278-00	s ELECT, NONPOLAR 10uF 20% 35V
C718	1-124-278-00	s ELECT, NONPOLAR 10uF 20% 35V
C719	1-137-368-11	s FILM 0.0047uF 5% 50V
C720	1-137-368-11	s FILM 0.0047uF 5% 50V
C721	1-163-038-00	s CERAMIC, CHIP 0.1uF 25V (2125)
C722	1-163-038-00	s CERAMIC, CHIP 0.1uF 25V (2125)
C723	*5 1-126-933-11	s ELECT 100uF 20% 16V
C724	*5 1-163-038-00	s CERAMIC, CHIP 0.1uF 25V (2125)
C725-728	1-163-038-00	s CERAMIC, CHIP 0.1uF 25V (2125)
C729	*5 1-163-038-00	s CERAMIC, CHIP 0.1uF 25V (2125)
C730	*5 1-126-964-11	s ELECT 10uF 20% 50V
C731-734	1-124-282-00	s ELECT, NONPOLAR 22uF 20% 25V
C735-738	1-163-235-11	s CERAMIC, CHIP 22pF 5% 50V (2125)
C739-742	1-124-282-00	s ELECT, NONPOLAR 22uF 20% 25V
C743-746	1-163-251-11	s CERAMIC, CHIP 100pF 5% 50V (2125)

-----  
 \*4: Board No. suffix 31 only  
 \*5: Board No. suffix 32 or higher  
 -----

(APR-1B BOARD for DVW-510P, suffix 31 through 33)

(APR-1B BOARD for DVW-510P, suffix 31 through 33)

Ref. No. or Q'ty	Part No.	SP	Description
C747-750	1-124-282-00	s	ELECT, NONPOLAR 22uF 20% 25V
C751	1-137-364-11	s	FILM 0.001uF 5% 50V
C752	1-137-364-11	s	FILM 0.001uF 5% 50V
C753	1-126-933-11	s	ELECT 100uF 20% 16V
C754	1-126-933-11	s	ELECT 100uF 20% 16V
C755	1-126-947-11	s	ELECT 47uF 20% 35V
C756	1-126-947-11	s	ELECT 47uF 20% 35V
C757	1-163-033-00	s	CERAMIC, CHIP 0.022uF 50V (2125)
C758	1-163-033-00	s	CERAMIC, CHIP 0.022uF 50V (2125)
C759	1-126-947-11	s	ELECT 47uF 20% 35V
C760	1-126-947-11	s	ELECT 47uF 20% 35V
C761	1-163-033-00	s	CERAMIC, CHIP 0.022uF 50V (2125)
C762	1-163-033-00	s	CERAMIC, CHIP 0.022uF 50V (2125)
C763	1-163-227-11	s	CERAMIC, CHIP 10pF 5% 50V (2125)
C764	1-163-227-11	s	CERAMIC, CHIP 10pF 5% 50V (2125)
C765	*5 1-126-947-11	s	ELECT 47uF 20% 35V
C766	*5 1-126-933-11	s	ELECT 100uF 20% 16V
C767	*5 1-163-038-00	s	CERAMIC, CHIP 0.1uF 25V (2125)
C768	*5 1-126-233-11	s	ELECT 22uF 20% 50V
C769	*5 1-126-933-11	s	ELECT 100uF 20% 16V
C770	*5 1-163-038-00	s	CERAMIC, CHIP 0.1uF 25V (2125)
C771	*5 1-163-038-00	s	CERAMIC, CHIP 0.1uF 25V (2125)
C772	*5 1-126-964-11	s	ELECT 10uF 20% 50V
C773	*5 1-163-038-00	s	CERAMIC, CHIP 0.1uF 25V (2125)
C774	*5 1-126-964-11	s	ELECT 10uF 20% 50V
C900	1-163-038-00	s	CERAMIC, CHIP 0.1uF 25V (2125)
C901	1-164-161-11	s	CERAMIC, CHIP 2200pF 10% 100V
C902	1-126-964-11	s	ELECT 10uF 20% 50V
C903-908	1-126-933-11	s	ELECT 100uF 20% 16V
C909	1-163-038-00	s	CERAMIC, CHIP 0.1uF 25V (2125)
C910	1-163-251-11	s	CERAMIC, CHIP 100pF 5% 50V
C911	1-163-251-11	s	CERAMIC, CHIP 100pF 5% 50V (2125)
C912	1-163-038-00	s	CERAMIC, CHIP 0.1uF 25V (2125)
C913	1-126-964-11	s	ELECT 10uF 20% 50V
C914	1-137-366-11	s	FILM 0.0022uF 5% 50V
C915	1-137-366-11	s	FILM 0.0022uF 5% 50V
C916	1-163-227-11	s	CERAMIC, CHIP 10pF 5% 50V (2125)
C917	1-137-364-11	s	FILM 0.001uF 5% 50V
C918	1-137-364-11	s	FILM 0.001uF 5% 50V
C919	1-124-278-00	s	ELECT, NONPOLAR 10uF 20% 35V
C920	1-124-278-00	s	ELECT, NONPOLAR 10uF 20% 35V
C921	1-137-368-11	s	FILM 0.0047uF 5% 50V
C922	1-137-368-11	s	FILM 0.0047uF 5% 50V
C923-926	1-163-038-00	s	CERAMIC, CHIP 0.1uF 25V (2125)
C927	1-126-964-11	s	ELECT 10uF 20% 50V
C928	1-126-964-11	s	ELECT 10uF 20% 50V
C929-936	1-163-038-00	s	CERAMIC, CHIP 0.1uF 25V (2125)
C937	1-126-964-11	s	ELECT 10uF 20% 50V
C938	1-126-964-11	s	ELECT 10uF 20% 50V
C941-944	1-124-282-00	s	ELECT, NONPOLAR 22uF 20% 25V
C945-948	1-163-235-11	s	CERAMIC, CHIP 22pF 5% 50V (2125)
C949-952	1-124-282-00	s	ELECT, NONPOLAR 22uF 20% 25V
C953-956	1-163-251-11	s	CERAMIC, CHIP 100pF 5% 50V
C957-960	1-124-282-00	s	ELECT, NONPOLAR 22uF 20% 25V
C961	1-137-364-11	s	FILM 0.001uF 5% 50V
C962	1-137-364-11	s	FILM 0.001uF 5% 50V

Ref. No. or Q'ty	Part No.	SP	Description
C963	1-126-933-11	s	ELECT 100uF 20% 16V
C964	1-126-933-11	s	ELECT 100uF 20% 16V
C965	1-126-947-11	s	ELECT 47uF 20% 35V
C966	1-126-947-11	s	ELECT 47uF 20% 35V
C967	1-163-033-00	s	CERAMIC, CHIP 0.022uF 50V (2125)
C968	1-163-033-00	s	CERAMIC, CHIP 0.022uF 50V (2125)
C969	1-126-947-11	s	ELECT 47uF 20% 35V
C970	1-126-947-11	s	ELECT 47uF 20% 35V
C971	1-163-033-00	s	CERAMIC, CHIP 0.022uF 50V (2125)
C972	1-163-033-00	s	CERAMIC, CHIP 0.022uF 50V (2125)
C973	1-163-227-11	s	CERAMIC, CHIP 10pF 5% 50V (2125)
C974	1-163-235-11	s	CERAMIC, CHIP 22pF 5% 50V (2125)
C975	1-163-235-11	s	CERAMIC, CHIP 22pF 5% 50V (2125)
C1000	*8 1-163-038-00	s	CERAMIC, CHIP 0.1uF 25V (2125)
C1001	1-124-278-00	s	ELECT, NONPOLAR 10uF 20% 35V
C1002	1-124-278-00	s	ELECT, NONPOLAR 10uF 20% 35V
C1003	1-163-038-00	s	CERAMIC, CHIP 0.1uF 25V (2125)
C1004	1-163-038-00	s	CERAMIC, CHIP 0.1uF 25V (2125)
C1100	1-126-947-11	s	ELECT 47uF 20% 35V
C1101	1-126-947-11	s	ELECT 47uF 20% 35V
C1102	1-163-033-00	s	CERAMIC, CHIP 0.022uF 50V (2125)
C1103-1110	1-126-947-11	s	ELECT 47uF 20% 35V
C1111-1114	1-163-033-00	s	CERAMIC, CHIP 0.022uF 50V (2125)
C1119	*8 1-163-038-00	s	CERAMIC, CHIP 0.1uF 25V (2125)
C1120	1-126-947-11	s	ELECT 47uF 20% 35V
C1121	1-163-033-00	s	CERAMIC, CHIP 0.022uF 50V (2125)
C1300	1-163-038-00	s	CERAMIC, CHIP 0.1uF 25V (2125)
C1301	1-126-964-11	s	ELECT 10uF 20% 50V
C1303	1-163-038-00	s	CERAMIC, CHIP 0.1uF 25V (2125)
C1314	1-163-033-00	s	CERAMIC, CHIP 0.022uF 50V (2125)
C1315	1-163-033-00	s	CERAMIC, CHIP 0.022uF 50V (2125)
CN119	1-573-600-21	s	CONNECTOR, PHEC 100P, MALE
CN120	1-573-600-21	s	CONNECTOR, PHEC 100P, MALE
CN121	1-573-600-21	s	CONNECTOR, PHEC 100P, MALE
D1	8-719-024-81	s	DIODE 1SS300
D2	8-719-404-35	s	DIODE MA141WK
D3-5	8-719-024-81	s	DIODE 1SS300
D6-8	8-719-404-35	s	DIODE MA141WK
D50	8-719-801-48	s	DIODE 1SS193
D51	8-719-026-16	s	LED CL-150D-CD, ORG
D52	8-719-941-23	s	DIODE DA204U
D53	8-719-941-23	s	DIODE DA204U
D500	*5 8-719-941-04	s	DIODE SB007-03CP
D501	*5 8-719-941-04	s	DIODE SB007-03CP
D502	8-719-801-48	s	DIODE 1SS193
D503	8-719-801-48	s	DIODE 1SS193
D504-507	8-719-068-64	s	DIODE MA143A
D700	*5 8-719-941-04	s	DIODE SB007-03CP
D701	*5 8-719-941-04	s	DIODE SB007-03CP
D702	8-719-801-48	s	DIODE 1SS193
D703	8-719-801-48	s	DIODE 1SS193
D704-707	8-719-068-64	s	DIODE MA143A
D900	8-719-941-23	s	DIODE DA204U

-----  
 \*5: Board No. suffix 32 or higher  
 \*8: LOT No. 307 through 409

(APR-1B BOARD for DVW-510P, suffix 31 through 33)

Ref. No. or Q'ty	Part No.	SP	Description
D903-906	8-719-801-48	s	DIODE 1SS193
D907-910	8-719-068-64	s	DIODE MA143A
D1101 *8	8-719-941-23	s	DIODE DA204U
D1103 *8	8-719-941-23	s	DIODE DA204U
D1105 *8	8-719-941-23	s	DIODE DA204U
D1107-1109			
*8	8-719-941-23	s	DIODE DA204U
FB1300	1-543-309-21	s	BEAD, FERRITE
IC1	8-759-062-88	s	IC CXD8277Q
IC2	8-759-925-74	s	IC SN74HC04ANS
IC3	8-759-062-88	s	IC CXD8277Q
IC4	8-759-479-32	s	IC SN75C1168NS (E05)
IC5	8-759-925-90	s	IC SN74HC74ANS
IC51	8-759-582-55	s	IC UPD78014FGC-638-AB8
IC52	8-759-926-11	s	IC SN74HC138ANS
IC53	8-759-926-66	s	IC SN74HC373ANS
IC54	8-752-381-84	s	IC CXD1095BQ
IC56	8-759-925-85	s	IC SN74HC32ANS
IC57	8-759-542-91	s	IC S-80840ANUP-ED4-T2
IC58	8-759-081-42	s	IC TC74VHC00F
IC59	8-759-542-91	s	IC S-80840ANUP-ED4-T2
IC60	8-759-542-91	s	IC S-80840ANUP-ED4-T2
IC500	8-759-062-40	s	IC SM5842APT
IC501 *5	8-759-253-90	s	IC PCML1702U-J
*4	8-759-158-89	s	IC PCM69AP-K
IC502	8-759-700-94	s	IC NJM5532M
IC503	8-759-700-94	s	IC NJM5532M
IC504 *5	8-759-234-08	s	IC TA78L05F
*4	8-759-708-05	s	IC NJM78L05A
IC505-510	8-759-745-64	s	IC NJM4560M
IC511	8-759-588-96	s	IC NJM5532L-D
IC512	8-759-588-96	s	IC NJM5532L-D
IC513	8-759-745-64	s	IC NJM4560M
IC514	8-759-588-96	s	IC NJM5532L-D
IC515	8-759-588-96	s	IC NJM5532L-D
IC516	8-759-745-64	s	IC NJM4560M
IC517 *8	8-759-100-96	s	IC UPC4558G2
IC518 *8	8-759-100-96	s	IC UPC4558G2
IC519 *5	8-759-045-17	s	IC NJM79L05UA
IC520 *5	8-759-253-90	s	IC PCML1702U-J
IC521 *5	8-759-234-08	s	IC TA78L05F
IC522 *5	8-759-045-17	s	IC NJM79L05UA
IC700	8-759-062-40	s	IC SM5842APT
IC701 *5	8-759-253-90	s	IC PCML1702U-J
*4	8-759-158-89	s	IC PCM69AP-K
IC702	8-759-700-94	s	IC NJM5532M
IC703	8-759-700-94	s	IC NJM5532M
IC704 *5	8-759-234-08	s	IC TA78L05F
*4	8-759-708-05	s	IC NJM78L05A
IC705-710	8-759-745-64	s	IC NJM4560M
IC711	8-759-588-96	s	IC NJM5532L-D

-----  
 \*4: Board No. suffix 31 only  
 \*5: Board No. suffix 32 or higher

(APR-1B BOARD for DVW-510P, suffix 31 through 33)

Ref. No. or Q'ty	Part No.	SP	Description
IC712	8-759-588-96	s	IC NJM5532L-D
IC713	8-759-745-64	s	IC NJM4560M
IC714	8-759-588-96	s	IC NJM5532L-D
IC715	8-759-588-96	s	IC NJM5532L-D
IC716	8-759-745-64	s	IC NJM4560M
IC717 *8	8-759-100-96	s	IC UPC4558G2
IC718 *8	8-759-100-96	s	IC UPC4558G2
IC719 *5	8-759-045-17	s	IC NJM79L05UA
IC720 *5	8-759-253-90	s	IC PCML1702U-J
IC721 *5	8-759-234-08	s	IC TA78L05F
IC722 *5	8-759-045-17	s	IC NJM79L05UA
IC900	8-759-062-40	s	IC SM5842APT
IC901	8-759-745-64	s	IC NJM4560M
IC902	8-759-158-89	s	IC PCM69AP-K
IC903	8-759-300-71	s	IC HD14053BFP
IC904	8-759-700-94	s	IC NJM5532M
IC905	8-759-700-94	s	IC NJM5532M
IC906	8-759-239-14	s	IC TA78L05S
IC907	8-759-745-64	s	IC NJM4560M
IC908	8-759-745-64	s	IC NJM4560M
IC909	8-759-745-64	s	IC NJM4560M
IC910	8-759-239-14	s	IC TA78L05S
IC911	8-759-700-65	s	IC NJM79L05A
IC912-917	8-759-745-64	s	IC NJM4560M
IC918	8-759-588-96	s	IC NJM5532L-D
IC919	8-759-588-96	s	IC NJM5532L-D
IC920	8-759-745-64	s	IC NJM4560M
IC921	8-759-588-96	s	IC NJM5532L-D
IC922	8-759-588-96	s	IC NJM5532L-D
IC923	8-759-745-64	s	IC NJM4560M
IC1101*8	8-759-009-05	s	IC MC14051BF
IC1106-1108	8-759-745-64	s	IC NJM4560M
*8	8-759-745-64	s	IC NJM4560M
IC1109*8	8-759-100-93	s	IC UPC393G2
IC1110*8	8-759-673-36	s	IC MM74HC00SJX
IC1111*8	8-759-239-55	s	IC TC74HCL23AF
IC1112*8	8-759-745-64	s	IC NJM4560M
IC1113	8-759-745-64	s	IC NJM4560M
IC1300	8-759-174-16	s	IC TC74VHC244F
IC1301	8-759-233-66	s	IC TC74HCT04AF
IC1304	8-759-927-15	s	IC SN74HCT245ANS
IC1306	8-759-926-49	s	IC SN74HC245ANS
IC1307	8-759-927-12	s	IC SN74HCT244ANS
IC1308	8-759-548-77	s	IC SN74LV245ANSR
IC1309	8-759-548-77	s	IC SN74LV245ANSR
PS1100 Δ	1-533-347-21	s	LINK, IC, CHIP 0.5A
Q1	8-729-907-00	s	TRANSISTOR DTC114EU
Q2	8-729-920-99	s	TRANSISTOR DTA114EU
Q3	8-729-907-00	s	TRANSISTOR DTC114EU
Q4	8-729-920-99	s	TRANSISTOR DTA114EU
Q54	8-729-920-99	s	TRANSISTOR DTA114EU
Q55-61	8-729-907-00	s	TRANSISTOR DTC114EU
Q500	8-729-012-35	s	TRANSISTOR 2SK711-BL
Q501	8-729-012-35	s	TRANSISTOR 2SK711-BL

-----  
 \*8: LOT No. 307 through 409



(APR-1B BOARD for DVW-510P, suffix 31 through 33)

(APR-1B BOARD for DVW-510P, suffix 31 through 33)

Ref. No. or Q'ty	Part No.	SP	Description
Q504	8-729-140-63	s	TRANSISTOR 2SA1611-M5M6
Q505	8-729-140-63	s	TRANSISTOR 2SA1611-M5M6
Q506	8-729-119-78	s	TRANSISTOR 2SC2785-HFE
Q507	8-729-119-78	s	TRANSISTOR 2SC2785-HFE
Q700	8-729-012-35	s	TRANSISTOR 2SK711-BL
Q701	8-729-012-35	s	TRANSISTOR 2SK711-BL
Q704	8-729-140-63	s	TRANSISTOR 2SA1611-M5M6
Q705	8-729-140-63	s	TRANSISTOR 2SA1611-M5M6
Q706	8-729-119-78	s	TRANSISTOR 2SC2785-HFE
Q707	8-729-119-78	s	TRANSISTOR 2SC2785-HFE
Q900	8-729-012-35	s	TRANSISTOR 2SK711-BL
Q901	8-729-012-35	s	TRANSISTOR 2SK711-BL
Q902	8-729-119-78	s	TRANSISTOR 2SC2785-HFE
Q903	8-729-119-78	s	TRANSISTOR 2SC2785-HFE
Q904	8-729-140-63	s	TRANSISTOR 2SA1611-M5M6
Q905	8-729-140-63	s	TRANSISTOR 2SA1611-M5M6
Q906	8-729-119-78	s	TRANSISTOR 2SC2785-HFE
Q907	8-729-119-78	s	TRANSISTOR 2SC2785-HFE
Q1000	8-729-012-35	s	TRANSISTOR 2SK711-BL
Q1001	8-729-012-35	s	TRANSISTOR 2SK711-BL
R1-6	1-216-073-00	s	METAL, CHIP 10K 5% 1/10W (2125)
R7-10	*b 1-216-663-11	s	METAL, CHIP 3.3K 0.5% 1/10W
	*a 1-216-001-00	s	METAL, CHIP 10 5% 1/10W (2125)
R11-14	1-216-619-11	s	METAL, CHIP 47 0.5% 1/10W (2125)
R23	1-216-295-00	s	METAL, CHIP 0 (2125)
R24	1-216-295-00	s	METAL, CHIP 0 (2125)
R27	1-216-073-00	s	METAL, CHIP 10K 5% 1/10W (2125)
R28	1-208-774-11	s	METAL, CHIP 470 0.5% 1/10W (2125)
R29	1-216-651-11	s	METAL, CHIP 1.0K 0.5% 1/10W
R30	1-216-073-00	s	METAL, CHIP 10K 5% 1/10W (2125)
R31	1-216-073-00	s	METAL, CHIP 10K 5% 1/10W (2125)
R32	1-216-045-00	s	METAL, CHIP 680 5% 1/10W (2125)
R34	1-216-057-00	s	METAL, CHIP 2.2K 5% 1/10W (2125)
R35	1-216-073-00	s	METAL, CHIP 10K 5% 1/10W (2125)
R41	1-216-025-00	s	METAL, CHIP 100 5% 1/10W (2125)
R42	1-208-824-11	s	METAL, CHIP 56K 0.5% 1/10W (2125)
R43	1-208-824-11	s	METAL, CHIP 56K 0.5% 1/10W (2125)
R44	1-216-073-00	s	METAL, CHIP 10K 5% 1/10W (2125)
R47	1-216-065-00	s	METAL, CHIP 4.7K 5% 1/10W (2125)
R48	1-216-065-00	s	METAL, CHIP 4.7K 5% 1/10W (2125)
R49	1-216-073-00	s	METAL, CHIP 10K 5% 1/10W (2125)
R51	1-216-041-00	s	METAL, CHIP 470 5% 1/10W (2125)
R52	1-216-675-11	s	METAL, CHIP 10K 0.5% 1/10W (2125)
R53	1-216-041-00	s	METAL, CHIP 470 5% 1/10W (2125)
R62	1-216-073-00	s	METAL, CHIP 10K 5% 1/10W (2125)
R71	1-216-073-00	s	METAL, CHIP 10K 5% 1/10W (2125)
R73	1-216-073-00	s	METAL, CHIP 10K 5% 1/10W (2125)
R74	1-216-073-00	s	METAL, CHIP 10K 5% 1/10W (2125)
R83	1-216-666-11	s	METAL, CHIP 4.3K 0.5% 1/10W
R84	1-216-638-11	s	METAL, CHIP 300 0.5% 1/10W
R85	1-216-065-00	s	METAL, CHIP 4.7K 5% 1/10W (2125)
R86	1-216-065-00	s	METAL, CHIP 4.7K 5% 1/10W (2125)
R93	1-216-089-00	s	METAL, CHIP 47K 5% 1/10W (2125)
R94	1-216-049-00	s	METAL, CHIP 1.0K 5% 1/10W (2125)
R95	1-216-073-00	s	METAL, CHIP 10K 5% 1/10W (2125)
R96	1-216-073-00	s	METAL, CHIP 10K 5% 1/10W (2125)
R97	1-216-057-00	s	METAL, CHIP 2.2K 5% 1/10W (2125)

\*4: Board No. suffix 31 only  
 \*5: Board No. suffix 32 or higher

Ref. No. or Q'ty	Part No.	SP	Description
R98	1-216-073-00	s	METAL, CHIP 10K 5% 1/10W (2125)
R500-504	1-216-073-00	s	METAL, CHIP 10K 5% 1/10W (2125)
R505	1-216-121-00	s	METAL, CHIP 1.0M 5% 1/10W (2125)
R506	1-216-121-00	s	METAL, CHIP 1.0M 5% 1/10W (2125)
R507	*5 1-216-659-11	s	METAL, CHIP 2.2K 0.5% 1/10W (2125)
	*4 1-216-065-00	s	METAL, CHIP 4.7K 5% 1/10W (2125)
R508	*5 1-216-659-11	s	METAL, CHIP 2.2K 0.5% 1/10W (2125)
	*4 1-216-065-00	s	METAL, CHIP 4.7K 5% 1/10W (2125)
R509	1-216-638-11	s	METAL, CHIP 300 0.5% 1/10W (2125)
R510	1-216-638-11	s	METAL, CHIP 300 0.5% 1/10W (2125)
R511	1-216-676-11	s	METAL, CHIP 11K 0.5% 1/10W (2125)
R512	1-216-676-11	s	METAL, CHIP 11K 0.5% 1/10W (2125)
R513	1-208-814-11	s	METAL, CHIP 22K 0.5% 1/10W (2125)
R514	1-208-814-11	s	METAL, CHIP 22K 0.5% 1/10W (2125)
R515-518	1-216-655-11	s	METAL, CHIP 1.5K 0.5% 1/10W (2125)
R519-522	1-216-679-11	s	METAL, CHIP 15K 0.5% 1/10W (2125)
R523	1-216-651-11	s	METAL, CHIP 1.0K 0.5% 1/10W (2125)
R524	1-216-651-11	s	METAL, CHIP 1.0K 0.5% 1/10W (2125)
R525	1-216-095-00	s	METAL, CHIP 82K 5% 1/10W (2125)
R526	1-216-095-00	s	METAL, CHIP 82K 5% 1/10W (2125)
R527	1-216-659-11	s	METAL, CHIP 2.2K 0.5% 1/10W (2125)
R528	1-216-659-11	s	METAL, CHIP 2.2K 0.5% 1/10W (2125)
R531	1-216-295-00	s	METAL, CHIP 0 (2125)
R532	1-216-295-00	s	METAL, CHIP 0 (2125)
R533	1-216-081-00	s	METAL, CHIP 22K 5% 1/10W (2125)
R534	1-216-081-00	s	METAL, CHIP 22K 5% 1/10W (2125)
R535	1-216-049-00	s	METAL, CHIP 1.0K 5% 1/10W (2125)
R536	1-216-063-00	s	METAL, CHIP 3.9K 5% 1/10W (2125)
R537	1-216-049-00	s	METAL, CHIP 1.0K 5% 1/10W (2125)
R538	1-216-063-00	s	METAL, CHIP 3.9K 5% 1/10W (2125)
R539-544	1-216-073-00	s	METAL, CHIP 10K 5% 1/10W (2125)
R545	1-216-679-11	s	METAL, CHIP 15K 0.5% 1/10W (2125)
R546	1-216-679-11	s	METAL, CHIP 15K 0.5% 1/10W (2125)
R547	1-216-682-11	s	METAL, CHIP 20K 0.5% 1/10W (2125)
R548	1-216-677-11	s	METAL, CHIP 12K 0.5% 1/10W (2125)
R549	1-216-673-11	s	METAL, CHIP 8.2K 0.5% 1/10W (2125)
R550	1-216-682-11	s	METAL, CHIP 20K 0.5% 1/10W (2125)
R551	1-216-677-11	s	METAL, CHIP 12K 0.5% 1/10W (2125)
R552	1-216-673-11	s	METAL, CHIP 8.2K 0.5% 1/10W (2125)
R553	1-216-652-11	s	METAL, CHIP 1.1K 0.5% 1/10W (2125)
R554	1-216-652-11	s	METAL, CHIP 1.1K 0.5% 1/10W (2125)
R555	1-216-641-11	s	METAL, CHIP 390 0.5% 1/10W (2125)
R556	1-216-646-11	s	METAL, CHIP 620 0.5% 1/10W (2125)
R557	1-216-648-11	s	METAL, CHIP 750 0.5% 1/10W (2125)
R558	1-216-631-11	s	METAL, CHIP 150 0.5% 1/10W (2125)
R559	1-216-641-11	s	METAL, CHIP 390 0.5% 1/10W (2125)
R560	1-216-646-11	s	METAL, CHIP 620 0.5% 1/10W (2125)
R561	1-216-648-11	s	METAL, CHIP 750 0.5% 1/10W (2125)
R562	1-216-631-11	s	METAL, CHIP 150 0.5% 1/10W (2125)
R563-566	1-218-367-11	s	METAL, CHIP 10K 0.1% 1/16W (2125)
R567-574	1-211-998-11	s	METAL, CHIP 4.7K 0.1% 1/16W (2125)
R575-578	1-218-367-11	s	METAL, CHIP 10K 0.1% 1/16W (2125)
R579	1-216-651-11	s	METAL, CHIP 1.0K 0.5% 1/10W (2125)
R580	1-218-367-11	s	METAL, CHIP 10K 0.1% 1/16W (2125)
R581	1-216-097-00	s	METAL, CHIP 100K 5% 1/10W (2125)
R582	1-218-367-11	s	METAL, CHIP 10K 0.1% 1/16W (2125)

\*a: LOT No. 307 through 803  
 \*b: LOT No. 804 or higher

(APR-1B BOARD for DVW-510P, suffix 31 through 33)

(APR-1B BOARD for DVW-510P, suffix 31 through 33)

Ref. No. or Q'ty	Part No.	SP Description
R583	1-216-651-11	s METAL, CHIP 1.0K 0.5% 1/10W
R584	1-216-097-00	s METAL, CHIP 100K 5% 1/10W (2125)
R585	1-216-651-11	s METAL, CHIP 1.0K 0.5% 1/10W
R586	1-218-367-11	s METAL, CHIP 10K 0.1% 1/16W (2125)
R587	1-216-097-00	s METAL, CHIP 100K 5% 1/10W (2125)
R588	1-218-367-11	s METAL, CHIP 10K 0.1% 1/16W (2125)
R589	1-216-651-11	s METAL, CHIP 1.0K 0.5% 1/10W
R590	1-216-097-00	s METAL, CHIP 100K 5% 1/10W (2125)
R591-594	1-216-619-11	s METAL, CHIP 47 0.5% 1/10W (2125)
R595-598	1-216-699-11	s METAL, CHIP 100K 0.5% 1/10W
R599	1-219-493-11	s METAL, CHIP 22 0.5% 1/4W (3225)
R600	1-219-493-11	s METAL, CHIP 22 0.5% 1/4W (3225)
R601	1-216-073-00	s METAL, CHIP 10K 5% 1/10W (2125)
R602	1-216-073-00	s METAL, CHIP 10K 5% 1/10W (2125)
R603	1-219-493-11	s METAL, CHIP 22 0.5% 1/4W (3225)
R604	1-219-493-11	s METAL, CHIP 22 0.5% 1/4W (3225)
R605	1-216-073-00	s METAL, CHIP 10K 5% 1/10W (2125)
R606	1-216-073-00	s METAL, CHIP 10K 5% 1/10W (2125)
R607	1-219-493-11	s METAL, CHIP 22 0.5% 1/4W (3225)
R608	1-219-493-11	s METAL, CHIP 22 0.5% 1/4W (3225)
R609	1-216-073-00	s METAL, CHIP 10K 5% 1/10W (2125)
R610	1-216-073-00	s METAL, CHIP 10K 5% 1/10W (2125)
R611	1-219-493-11	s METAL, CHIP 22 0.5% 1/4W (3225)
R612	1-219-493-11	s METAL, CHIP 22 0.5% 1/4W (3225)
R613	1-216-073-00	s METAL, CHIP 10K 5% 1/10W (2125)
R614	1-216-073-00	s METAL, CHIP 10K 5% 1/10W (2125)
R615	1-216-037-00	s METAL, CHIP 330 5% 1/10W (2125)
R616	1-216-037-00	s METAL, CHIP 330 5% 1/10W (2125)
R617	1-216-073-00	s METAL, CHIP 10K 5% 1/10W (2125)
R618	1-216-073-00	s METAL, CHIP 10K 5% 1/10W (2125)
R619	1-216-295-00	s METAL, CHIP 0 (2125)
R620-623	1-216-017-00	s METAL, CHIP 47 5% 1/10W (2125)
R624	*5 1-216-295-00	s METAL, CHIP 0 (2125)
	*4 1-216-017-00	s METAL, CHIP 47 5% 1/10W (2125)
R625	1-216-295-00	s METAL, CHIP 0 (2125)
R626	1-216-690-11	s METAL, CHIP 43K 0.5% 1/10W (2125)
R627	*5 1-208-811-11	s METAL, CHIP 16K 0.5% 1/10W (2125)
	*4 1-216-659-11	s METAL, CHIP 2.2K 0.5% 1/10W
R628	1-208-801-11	s METAL, CHIP 6.2K 0.5% 1/10W
R629	1-216-295-00	s METAL, CHIP 0 (2125)
R630	1-216-690-11	s METAL, CHIP 43K 0.5% 1/10W (2125)
R631	*5 1-208-811-11	s METAL, CHIP 16K 0.5% 1/10W (2125)
	*4 1-216-659-11	s METAL, CHIP 2.2K 0.5% 1/10W
R632	*5 1-208-785-11	s METAL, CHIP 1.3K 0.5% 1/10W
	*4 1-216-631-11	s METAL, CHIP 150 0.5% 1/10W (2125)
R633	1-208-801-11	s METAL, CHIP 6.2K 0.5% 1/10W
R634	*5 1-208-785-11	s METAL, CHIP 1.3K 0.5% 1/10W
	*4 1-216-631-11	s METAL, CHIP 150 0.5% 1/10W (2125)
R640	1-216-121-00	s METAL, CHIP 1.0M 5% 1/10W (2125)
R641	1-216-121-00	s METAL, CHIP 1.0M 5% 1/10W (2125)
R700-704	1-216-073-00	s METAL, CHIP 10K 5% 1/10W (2125)
R705	1-216-121-00	s METAL, CHIP 1.0M 5% 1/10W (2125)
R706	1-216-121-00	s METAL, CHIP 1.0M 5% 1/10W (2125)
R707	*5 1-216-659-11	s METAL, CHIP 2.2K 0.5% 1/10W
	*4 1-216-065-00	s METAL, CHIP 4.7K 5% 1/10W (2125)

Ref. No. or Q'ty	Part No.	SP Description
R708	*5 1-216-659-11	s METAL, CHIP 2.2K 0.5% 1/10W (2125)
	*4 1-216-065-00	s METAL, CHIP 4.7K 5% 1/10W (2125)
R709	1-216-638-11	s METAL, CHIP 300 0.5% 1/10W (2125)
R710	1-216-638-11	s METAL, CHIP 300 0.5% 1/10W (2125)
R711	1-216-676-11	s METAL, CHIP 11K 0.5% 1/10W (2125)
R712	1-216-676-11	s METAL, CHIP 11K 0.5% 1/10W (2125)
R713	1-208-814-11	s METAL, CHIP 22K 0.5% 1/10W (2125)
R714	1-208-814-11	s METAL, CHIP 22K 0.5% 1/10W (2125)
R715-718	1-216-655-11	s METAL, CHIP 1.5K 0.5% 1/10W (2125)
R719-722	1-216-679-11	s METAL, CHIP 15K 0.5% 1/10W (2125)
R723	1-216-651-11	s METAL, CHIP 1.0K 0.5% 1/10W (2125)
R724	1-216-651-11	s METAL, CHIP 1.0K 0.5% 1/10W (2125)
R725	1-216-095-00	s METAL, CHIP 82K 5% 1/10W (2125)
R726	1-216-095-00	s METAL, CHIP 82K 5% 1/10W (2125)
R727	1-216-659-11	s METAL, CHIP 2.2K 0.5% 1/10W (2125)
R728	1-216-659-11	s METAL, CHIP 2.2K 0.5% 1/10W (2125)
R731	1-216-295-00	s METAL, CHIP 0 (2125)
R732	1-216-295-00	s METAL, CHIP 0 (2125)
R733	1-216-081-00	s METAL, CHIP 22K 5% 1/10W (2125)
R734	1-216-081-00	s METAL, CHIP 22K 5% 1/10W (2125)
R735	1-216-049-00	s METAL, CHIP 1.0K 5% 1/10W (2125)
R736	1-216-063-00	s METAL, CHIP 3.9K 5% 1/10W (2125)
R737	1-216-049-00	s METAL, CHIP 1.0K 5% 1/10W (2125)
R738	1-216-063-00	s METAL, CHIP 3.9K 5% 1/10W (2125)
R739-744	1-216-073-00	s METAL, CHIP 10K 5% 1/10W (2125)
R745	1-216-679-11	s METAL, CHIP 15K 0.5% 1/10W (2125)
R746	1-216-679-11	s METAL, CHIP 15K 0.5% 1/10W (2125)
R747	1-216-682-11	s METAL, CHIP 20K 0.5% 1/10W (2125)
R748	1-216-677-11	s METAL, CHIP 12K 0.5% 1/10W (2125)
R749	1-216-673-11	s METAL, CHIP 8.2K 0.5% 1/10W (2125)
R750	1-216-682-11	s METAL, CHIP 20K 0.5% 1/10W (2125)
R751	1-216-677-11	s METAL, CHIP 12K 0.5% 1/10W (2125)
R752	1-216-673-11	s METAL, CHIP 8.2K 0.5% 1/10W (2125)
R753	1-216-652-11	s METAL, CHIP 1.1K 0.5% 1/10W (2125)
R754	1-216-652-11	s METAL, CHIP 1.1K 0.5% 1/10W (2125)
R755	1-216-641-11	s METAL, CHIP 390 0.5% 1/10W (2125)
R756	1-216-646-11	s METAL, CHIP 620 0.5% 1/10W (2125)
R757	1-216-648-11	s METAL, CHIP 750 0.5% 1/10W (2125)
R758	1-216-631-11	s METAL, CHIP 150 0.5% 1/10W (2125)
R759	1-216-641-11	s METAL, CHIP 390 0.5% 1/10W (2125)
R760	1-216-646-11	s METAL, CHIP 620 0.5% 1/10W (2125)
R761	1-216-648-11	s METAL, CHIP 750 0.5% 1/10W (2125)
R762	1-216-631-11	s METAL, CHIP 150 0.5% 1/10W (2125)
R763-766	1-218-367-11	s METAL, CHIP 10K 0.1% 1/16W (2125)
R767-774	1-211-998-11	s METAL, CHIP 4.7K 0.1% 1/16W (2125)
R775-778	1-218-367-11	s METAL, CHIP 10K 0.1% 1/16W (2125)
R779	1-216-651-11	s METAL, CHIP 1.0K 0.5% 1/10W (2125)
R780	1-218-367-11	s METAL, CHIP 10K 0.1% 1/16W (2125)
R781	1-216-097-00	s METAL, CHIP 100K 5% 1/10W (2125)
R782	1-218-367-11	s METAL, CHIP 10K 0.1% 1/16W (2125)
R783	1-216-651-11	s METAL, CHIP 1.0K 0.5% 1/10W (2125)
R784	1-216-097-00	s METAL, CHIP 100K 5% 1/10W (2125)
R785	1-216-651-11	s METAL, CHIP 1.0K 0.5% 1/10W (2125)
R786	1-218-367-11	s METAL, CHIP 10K 0.1% 1/16W (2125)
R787	1-216-097-00	s METAL, CHIP 100K 5% 1/10W (2125)
R788	1-218-367-11	s METAL, CHIP 10K 0.1% 1/16W (2125)

-----  
 \*4: Board No. suffix 31 only  
 \*5: Board No. suffix 32 or higher

(APR-1B BOARD for DVW-510P, suffix 31 through 33)

(APR-1B BOARD for DVW-510P, suffix 31 through 33)

Ref. No. or Q'ty	Part No.	SP	Description
R789	1-216-651-11	s	METAL, CHIP 1.0K 0.5% 1/10W
R790	1-216-097-00	s	METAL, CHIP 100K 5% 1/10W (2125)
R791-794	1-216-619-11	s	METAL, CHIP 47 0.5% 1/10W (2125)
R795-798	1-216-699-11	s	METAL, CHIP 100K 0.5% 1/10W
R799	1-219-493-11	s	METAL, CHIP 22 0.5% 1/4W (3225)
R800	1-219-493-11	s	METAL, CHIP 22 0.5% 1/4W (3225)
R801	1-216-073-00	s	METAL, CHIP 10K 5% 1/10W (2125)
R802	1-216-073-00	s	METAL, CHIP 10K 5% 1/10W (2125)
R803	1-219-493-11	s	METAL, CHIP 22 0.5% 1/4W (3225)
R804	1-219-493-11	s	METAL, CHIP 22 0.5% 1/4W (3225)
R805	1-216-073-00	s	METAL, CHIP 10K 5% 1/10W (2125)
R806	1-216-073-00	s	METAL, CHIP 10K 5% 1/10W (2125)
R807	1-219-493-11	s	METAL, CHIP 22 0.5% 1/4W (3225)
R808	1-219-493-11	s	METAL, CHIP 22 0.5% 1/4W (3225)
R809	1-216-073-00	s	METAL, CHIP 10K 5% 1/10W (2125)
R810	1-216-073-00	s	METAL, CHIP 10K 5% 1/10W (2125)
R811	1-219-493-11	s	METAL, CHIP 22 0.5% 1/4W (3225)
R812	1-219-493-11	s	METAL, CHIP 22 0.5% 1/4W (3225)
R813	1-216-073-00	s	METAL, CHIP 10K 5% 1/10W (2125)
R814	1-216-073-00	s	METAL, CHIP 10K 5% 1/10W (2125)
R815	1-216-037-00	s	METAL, CHIP 330 5% 1/10W (2125)
R816	1-216-037-00	s	METAL, CHIP 330 5% 1/10W (2125)
R817	1-216-073-00	s	METAL, CHIP 10K 5% 1/10W (2125)
R818	1-216-073-00	s	METAL, CHIP 10K 5% 1/10W (2125)
R819	1-216-295-00	s	METAL, CHIP 0 (2125)
R820-823	1-216-017-00	s	METAL, CHIP 47 5% 1/10W (2125)
R824	*5 1-216-295-00	s	METAL, CHIP 0 (2125)
	*4 1-216-017-00	s	METAL, CHIP 47 5% 1/10W (2125)
R825	1-216-295-00	s	METAL, CHIP 0 (2125)
R826	1-216-690-11	s	METAL, CHIP 43K 0.5% 1/10W
R827	*5 1-208-811-11	s	METAL, CHIP 16K 0.5% 1/10W (2125)
	*4 1-216-659-11	s	METAL, CHIP 2.2K 0.5% 1/10W
R828	1-208-801-11	s	METAL, CHIP 6.2K 0.5% 1/10W
R829	1-216-295-00	s	METAL, CHIP 0 (2125)
R830	1-216-690-11	s	METAL, CHIP 43K 0.5% 1/10W
R831	*5 1-208-811-11	s	METAL, CHIP 16K 0.5% 1/10W (2125)
	*4 1-216-659-11	s	METAL, CHIP 2.2K 0.5% 1/10W
R832	*5 1-208-785-11	s	METAL, CHIP 1.3K 0.5% 1/10W
	*4 1-216-631-11	s	METAL, CHIP 150 0.5% 1/10W (2125)
R833	1-208-801-11	s	METAL, CHIP 6.2K 0.5% 1/10W
R834	*5 1-208-785-11	s	METAL, CHIP 1.3K 0.5% 1/10W
	*4 1-216-631-11	s	METAL, CHIP 150 0.5% 1/10W (2125)
R840	1-216-121-00	s	METAL, CHIP 1.0M 5% 1/10W (2125)
R841	1-216-121-00	s	METAL, CHIP 1.0M 5% 1/10W (2125)
R900	1-216-073-00	s	METAL, CHIP 10K 5% 1/10W (2125)
R901	1-216-295-00	s	METAL, CHIP 0 (2125)
R902	1-216-295-00	s	METAL, CHIP 0 (2125)
R903	1-216-655-11	s	METAL, CHIP 1.5K 0.5% 1/10W
R904	1-216-073-00	s	METAL, CHIP 10K 5% 1/10W (2125)
R905	1-208-775-11	s	METAL, CHIP 510 0.5% 1/10W (2125)
R906-908	1-216-073-00	s	METAL, CHIP 10K 5% 1/10W (2125)
R909	1-216-121-00	s	METAL, CHIP 1.0M 5% 1/10W (2125)
R910	1-216-121-00	s	METAL, CHIP 1.0M 5% 1/10W (2125)
R911	1-216-065-00	s	METAL, CHIP 4.7K 5% 1/10W (2125)
R912	1-216-065-00	s	METAL, CHIP 4.7K 5% 1/10W (2125)

Ref. No. or Q'ty	Part No.	SP	Description
R913	1-216-638-11	s	METAL, CHIP 300 0.5% 1/10W (2125)
R914	1-216-638-11	s	METAL, CHIP 300 0.5% 1/10W (2125)
R915	1-216-017-00	s	METAL, CHIP 47 5% 1/10W (2125)
R916	1-216-017-00	s	METAL, CHIP 47 5% 1/10W (2125)
R917	1-216-676-11	s	METAL, CHIP 11K 0.5% 1/10W (2125)
R918	1-216-676-11	s	METAL, CHIP 11K 0.5% 1/10W (2125)
R919	1-208-814-11	s	METAL, CHIP 22K 0.5% 1/10W (2125)
R920	1-208-814-11	s	METAL, CHIP 22K 0.5% 1/10W (2125)
R921	1-216-655-11	s	METAL, CHIP 1.5K 0.5% 1/10W (2125)
R922	1-216-655-11	s	METAL, CHIP 1.5K 0.5% 1/10W (2125)
R923	1-216-017-00	s	METAL, CHIP 47 5% 1/10W (2125)
R924	1-216-655-11	s	METAL, CHIP 1.5K 0.5% 1/10W (2125)
R925	1-216-655-11	s	METAL, CHIP 1.5K 0.5% 1/10W (2125)
R926	1-216-017-00	s	METAL, CHIP 47 5% 1/10W (2125)
R927-930	1-216-679-11	s	METAL, CHIP 15K 0.5% 1/10W (2125)
R931	1-216-651-11	s	METAL, CHIP 1.0K 0.5% 1/10W (2125)
R932	1-216-651-11	s	METAL, CHIP 1.0K 0.5% 1/10W (2125)
R933	1-216-095-00	s	METAL, CHIP 82K 5% 1/10W (2125)
R934	1-216-095-00	s	METAL, CHIP 82K 5% 1/10W (2125)
R935	1-216-659-11	s	METAL, CHIP 2.2K 0.5% 1/10W (2125)
R936	1-216-659-11	s	METAL, CHIP 2.2K 0.5% 1/10W (2125)
R937	1-216-081-00	s	METAL, CHIP 22K 5% 1/10W (2125)
R938	1-216-081-00	s	METAL, CHIP 22K 5% 1/10W (2125)
R939	1-216-295-00	s	METAL, CHIP 0 (2125)
R940	1-216-295-00	s	METAL, CHIP 0 (2125)
R941	1-216-081-00	s	METAL, CHIP 22K 5% 1/10W (2125)
R942	1-216-081-00	s	METAL, CHIP 22K 5% 1/10W (2125)
R943	1-216-049-00	s	METAL, CHIP 1.0K 5% 1/10W (2125)
R944	1-216-063-00	s	METAL, CHIP 3.9K 5% 1/10W (2125)
R945	1-216-049-00	s	METAL, CHIP 1.0K 5% 1/10W (2125)
R946	1-216-063-00	s	METAL, CHIP 3.9K 5% 1/10W (2125)
R947-956	1-216-073-00	s	METAL, CHIP 10K 5% 1/10W (2125)
R957	1-216-121-00	s	METAL, CHIP 1.0M 5% 1/10W (2125)
R958	1-216-121-00	s	METAL, CHIP 1.0M 5% 1/10W (2125)
R959-962	1-216-073-00	s	METAL, CHIP 10K 5% 1/10W (2125)
R963	1-216-679-11	s	METAL, CHIP 15K 0.5% 1/10W (2125)
R964	1-216-679-11	s	METAL, CHIP 15K 0.5% 1/10W (2125)
R965	1-216-682-11	s	METAL, CHIP 20K 0.5% 1/10W (2125)
R966	1-216-677-11	s	METAL, CHIP 12K 0.5% 1/10W (2125)
R967	1-216-673-11	s	METAL, CHIP 8.2K 0.5% 1/10W (2125)
R968	1-216-682-11	s	METAL, CHIP 20K 0.5% 1/10W (2125)
R969	1-216-677-11	s	METAL, CHIP 12K 0.5% 1/10W (2125)
R970	1-216-673-11	s	METAL, CHIP 8.2K 0.5% 1/10W (2125)
R971	1-216-652-11	s	METAL, CHIP 1.1K 0.5% 1/10W (2125)
R972	1-216-652-11	s	METAL, CHIP 1.1K 0.5% 1/10W (2125)
R973	1-216-641-11	s	METAL, CHIP 390 0.5% 1/10W (2125)
R974	1-216-646-11	s	METAL, CHIP 620 0.5% 1/10W (2125)
R975	1-216-648-11	s	METAL, CHIP 750 0.5% 1/10W (2125)
R976	1-216-631-11	s	METAL, CHIP 150 0.5% 1/10W (2125)
R977	1-216-641-11	s	METAL, CHIP 390 0.5% 1/10W (2125)
R978	1-216-646-11	s	METAL, CHIP 620 0.5% 1/10W (2125)
R979	1-216-648-11	s	METAL, CHIP 750 0.5% 1/10W (2125)
R980	1-216-631-11	s	METAL, CHIP 150 0.5% 1/10W (2125)
R981-984	1-218-367-11	s	METAL, CHIP 10K 0.1% 1/16W (2125)
R985-992	1-211-998-11	s	METAL, CHIP 4.7K 0.1% 1/16W (2125)
R993-996	1-218-367-11	s	METAL, CHIP 10K 0.1% 1/16W (2125)

-----  
 \*4: Board No. suffix 31 only  
 \*5: Board No. suffix 32 or higher

(APR-1B BOARD for DVW-510P, suffix 31 through 33)

(APR-1B BOARD for DVW-510P, suffix 31 through 33)

Ref. No. or Q'ty	Part No.	SP Description
R997	1-216-651-11	s METAL, CHIP 1.0K 0.5% 1/10W
R998	1-218-367-11	s METAL, CHIP 10K 0.1% 1/16W (2125)
R999	1-216-097-00	s METAL, CHIP 100K 5% 1/10W (2125)
R1000	1-218-367-11	s METAL, CHIP 10K 0.1% 1/16W (2125)
R1001	1-216-651-11	s METAL, CHIP 1.0K 0.5% 1/10W
R1002	1-216-097-00	s METAL, CHIP 100K 5% 1/10W (2125)
R1003	1-216-651-11	s METAL, CHIP 1.0K 0.5% 1/10W
R1004	1-218-367-11	s METAL, CHIP 10K 0.1% 1/16W (2125)
R1005	1-216-097-00	s METAL, CHIP 100K 5% 1/10W (2125)
R1006	1-218-367-11	s METAL, CHIP 10K 0.1% 1/16W (2125)
R1007	1-216-651-11	s METAL, CHIP 1.0K 0.5% 1/10W
R1008	1-216-097-00	s METAL, CHIP 100K 5% 1/10W (2125)
R1009-1012	1-216-619-11	s METAL, CHIP 47 0.5% 1/10W (2125)
R1013-1016	1-216-699-11	s METAL, CHIP 100K 0.5% 1/10W
R1017	1-219-493-11	s METAL, CHIP 22 0.5% 1/4W (3225)
R1018	1-219-493-11	s METAL, CHIP 22 0.5% 1/4W (3225)
R1019	1-216-073-00	s METAL, CHIP 10K 5% 1/10W (2125)
R1020	1-216-073-00	s METAL, CHIP 10K 5% 1/10W (2125)
R1021	1-219-493-11	s METAL, CHIP 22 0.5% 1/4W (3225)
R1022	1-219-493-11	s METAL, CHIP 22 0.5% 1/4W (3225)
R1023	1-216-073-00	s METAL, CHIP 10K 5% 1/10W (2125)
R1024	1-219-493-11	s METAL, CHIP 22 0.5% 1/4W (3225)
R1025	1-219-493-11	s METAL, CHIP 22 0.5% 1/4W (3225)
R1026	1-216-073-00	s METAL, CHIP 10K 5% 1/10W (2125)
R1027	1-216-073-00	s METAL, CHIP 10K 5% 1/10W (2125)
R1028	1-219-493-11	s METAL, CHIP 22 0.5% 1/4W (3225)
R1029	1-219-493-11	s METAL, CHIP 22 0.5% 1/4W (3225)
R1030	1-216-073-00	s METAL, CHIP 10K 5% 1/10W (2125)
R1031	1-216-073-00	s METAL, CHIP 10K 5% 1/10W (2125)
R1032	1-216-073-00	s METAL, CHIP 10K 5% 1/10W (2125)
R1033	1-216-037-00	s METAL, CHIP 330 5% 1/10W (2125)
R1034	1-216-037-00	s METAL, CHIP 330 5% 1/10W (2125)
R1035	1-216-073-00	s METAL, CHIP 10K 5% 1/10W (2125)
R1036	1-216-073-00	s METAL, CHIP 10K 5% 1/10W (2125)
R1037 *8	1-208-799-11	s METAL, CHIP 5.1K 0.5% 1/10W
R1038	1-216-295-00	s METAL, CHIP 0 (2125)
R1039	1-216-295-00	s METAL, CHIP 0 (2125)
R1040	1-216-121-00	s METAL, CHIP 1.0M 5% 1/10W (2125)
R1041	1-216-121-00	s METAL, CHIP 1.0M 5% 1/10W (2125)
R1042	1-216-295-00	s METAL, CHIP 0 (2125)
R1043 *8	1-216-079-00	s METAL, CHIP 18K 5% 1/10W (2125)
R1044 *8	1-216-079-00	s METAL, CHIP 18K 5% 1/10W (2125)
R1045 *8	1-216-105-00	s METAL, CHIP 220K 5% 1/10W (2125)
R1046 *8	1-208-799-11	s METAL, CHIP 5.1K 0.5% 1/10W
R1047	1-216-017-00	s METAL, CHIP 47 5% 1/10W (2125)
R1048	1-216-690-11	s METAL, CHIP 43K 0.5% 1/10W
R1049 *5	1-208-811-11	s METAL, CHIP 16K 0.5% 1/10W (2125)
*4	1-216-659-11	s METAL, CHIP 2.2K 0.5% 1/10W
R1050	1-208-801-11	s METAL, CHIP 6.2K 0.5% 1/10W
R1051	1-216-690-11	s METAL, CHIP 43K 0.5% 1/10W (2125)
R1052 *5	1-208-811-11	s METAL, CHIP 16K 0.5% 1/10W (2125)
*4	1-216-659-11	s METAL, CHIP 2.2K 0.5% 1/10W
R1053 *5	1-208-785-11	s METAL, CHIP 1.3K 0.5% 1/10W
*4	1-216-631-11	s METAL, CHIP 150 0.5% 1/10W

Ref. No. or Q'ty	Part No.	SP Description
R1054	1-216-073-00	s METAL, CHIP 10K 5% 1/10W (2125)
R1055	1-216-073-00	s METAL, CHIP 10K 5% 1/10W (2125)
R1056	1-216-676-11	s METAL, CHIP 11K 0.5% 1/10W (2125)
R1057	1-216-053-00	s METAL, CHIP 1.5K 5% 1/10W (2125)
R1058	1-216-073-00	s METAL, CHIP 10K 5% 1/10W (2125)
R1059	1-216-073-00	s METAL, CHIP 10K 5% 1/10W (2125)
R1060	1-216-053-00	s METAL, CHIP 1.5K 5% 1/10W (2125)
R1061	1-216-676-11	s METAL, CHIP 11K 0.5% 1/10W (2125)
R1062	1-216-295-00	s METAL, CHIP 0 (2125)
R1063	1-216-295-00	s METAL, CHIP 0 (2125)
R1064	1-208-801-11	s METAL, CHIP 6.2K 0.5% 1/10W (2125)
R1065 *5	1-208-785-11	s METAL, CHIP 1.3K 0.5% 1/10W (2125)
*4	1-216-631-11	s METAL, CHIP 150 0.5% 1/10W (2125)
R1066-1071	1-216-295-00	s METAL, CHIP 0 (2125)
R1072	1-216-687-11	s METAL, CHIP 33K 0.5% 1/10W (2125)
R1073	1-216-687-11	s METAL, CHIP 33K 0.5% 1/10W (2125)
R1074	1-216-073-00	s METAL, CHIP 10K 5% 1/10W (2125)
R1075	1-216-073-00	s METAL, CHIP 10K 5% 1/10W (2125)
R1076	1-216-651-11	s METAL, CHIP 1.0K 0.5% 1/10W (2125)
R1077	1-216-651-11	s METAL, CHIP 1.0K 0.5% 1/10W (2125)
R1078	1-216-675-11	s METAL, CHIP 10K 0.5% 1/10W (2125)
R1079	1-216-675-11	s METAL, CHIP 10K 0.5% 1/10W (2125)
R1100	1-216-676-11	s METAL, CHIP 11K 0.5% 1/10W (2125)
R1101	1-208-811-11	s METAL, CHIP 16K 0.5% 1/10W (2125)
R1102	1-216-661-11	s METAL, CHIP 2.7K 0.5% 1/10W (2125)
R1103	1-208-814-11	s METAL, CHIP 22K 0.5% 1/10W (2125)
R1104	1-216-025-00	s METAL, CHIP 100 5% 1/10W (2125)
R1112 *8	1-216-065-00	s METAL, CHIP 4.7K 5% 1/10W (2125)
R1116 *8	1-216-073-00	s METAL, CHIP 10K 5% 1/10W (2125)
R1117 *8	1-216-073-00	s METAL, CHIP 10K 5% 1/10W (2125)
R1118 *8	1-216-684-11	s METAL, CHIP 24K 0.5% 1/10W (2125)
R1120 *8	1-216-105-00	s METAL, CHIP 220K 5% 1/10W (2125)
R1121 *8	1-216-061-00	s METAL, CHIP 3.3K 5% 1/10W (2125)
R1122 *8	1-216-073-00	s METAL, CHIP 10K 5% 1/10W (2125)
R1123 *8	1-216-077-00	s METAL, CHIP 15K 5% 1/10W (2125)
R1124 *8	1-216-105-00	s METAL, CHIP 220K 5% 1/10W (2125)
R1125 *8	1-216-065-00	s METAL, CHIP 4.7K 5% 1/10W (2125)
R1126 *8	1-216-105-00	s METAL, CHIP 220K 5% 1/10W (2125)
R1131-1134	*8 1-208-799-11	s METAL, CHIP 5.1K 0.5% 1/10W (2125)
R1200-1215	1-216-009-00	s METAL, CHIP 22 5% 1/10W (2125)
R1300	1-216-033-00	s METAL, CHIP 220 5% 1/10W (2125)
R1301	1-216-033-00	s METAL, CHIP 220 5% 1/10W (2125)
R1302-1305	1-216-073-00	s METAL, CHIP 10K 5% 1/10W (2125)
R1306	1-216-033-00	s METAL, CHIP 220 5% 1/10W (2125)
R1307	1-216-295-00	s METAL, CHIP 0 (2125)
R1308	1-216-033-00	s METAL, CHIP 220 5% 1/10W (2125)
R1309	1-216-295-00	s METAL, CHIP 0 (2125)
R1310-1314	1-216-033-00	s METAL, CHIP 220 5% 1/10W (2125)
R1315	1-216-073-00	s METAL, CHIP 10K 5% 1/10W (2125)
R1316	1-216-073-00	s METAL, CHIP 10K 5% 1/10W (2125)

-----  
 \*4: Board No. suffix 31 only  
 \*5: Board No. suffix 32 or higher

-----  
 \*8: LOT No. 307 through 409

(APR-1B BOARD for DVW-510P, suffix 31 through 33)

Ref. No. or Q'ty	Part No.	SP	Description
R1317	1-216-033-00	s	METAL, CHIP 220 5% 1/10W (2125)
R1318	1-216-295-00	s	METAL, CHIP 0 (2125)
R1319	1-216-033-00	s	METAL, CHIP 220 5% 1/10W (2125)
R1320	1-216-033-00	s	METAL, CHIP 220 5% 1/10W (2125)
R1321	1-216-017-00	s	METAL, CHIP 47 5% 1/10W (2125)
R1322	1-216-017-00	s	METAL, CHIP 47 5% 1/10W (2125)
R1323	1-216-017-00	s	METAL, CHIP 47 5% 1/10W (2125)
R1324	1-216-073-00	s	METAL, CHIP 10K 5% 1/10W (2125)
R1325	1-216-073-00	s	METAL, CHIP 10K 5% 1/10W (2125)
R1327	1-216-295-00	s	METAL, CHIP 0 (2125)
R1329	1-216-073-00	s	METAL, CHIP 10K 5% 1/10W (2125)
R1338	1-216-295-00	s	METAL, CHIP 0 (2125)
R1345	1-216-295-00	s	METAL, CHIP 0 (2125)
R1352	1-216-295-00	s	METAL, CHIP 0 (2125)
R1402	1-216-295-00	s	METAL, CHIP 0 (2125)
R1404-1411			
	1-216-073-00	s	METAL, CHIP 10K 5% 1/10W (2125)
R1412	1-216-295-00	s	METAL, CHIP 0 (2125)
R1414	1-216-295-00	s	METAL, CHIP 0 (2125)
R1416	1-216-073-00	s	METAL, CHIP 10K 5% 1/10W (2125)
R1417	1-216-073-00	s	METAL, CHIP 10K 5% 1/10W (2125)
R1418	1-216-073-00	s	METAL, CHIP 10K 5% 1/10W (2125)
R1419	1-216-295-00	s	METAL, CHIP 0 (2125)
R2001 *9	1-249-429-11	s	CARBON 10K 5% 1/4W
RB51	1-239-308-11	s	RESISTOR BLOCK, CHIP 47Kx8
RB53-55	1-239-306-11	s	RESISTOR BLOCK, CHIP 10Kx8
RV500	1-241-764-11	s	RES, ADJ, CERMET 10K
RV501	1-241-764-11	s	RES, ADJ, CERMET 10K
RV700	1-241-764-11	s	RES, ADJ, CERMET 10K
RV701	1-241-764-11	s	RES, ADJ, CERMET 10K
RV900	1-241-764-11	s	RES, ADJ, CERMET 10K
RV901	1-241-764-11	s	RES, ADJ, CERMET 10K
RV902	1-241-764-11	s	RES, ADJ, CERMET 10K
RV903	1-241-764-11	s	RES, ADJ, CERMET 10K
RY502	1-515-716-11	s	RELAY TQ2-5V
RY503	1-515-716-11	s	RELAY TQ2-5V
RY702	1-515-716-11	s	RELAY TQ2-5V
RY703	1-515-716-11	s	RELAY TQ2-5V
RY900	1-515-928-11	s	RELAY AHY109
RY901	1-515-928-11	s	RELAY AHY109
RY902	1-515-716-11	s	RELAY TQ2-5V
RY903	1-515-716-11	s	RELAY TQ2-5V
X50	1-579-599-21	s	RESONATOR, CERAMIC 8.38 MHz

\*9: LOT No. 410 through 412

APR-1BA BOARD for DVW-A510P/CA510P, suffix 16 or higher

Ref. No. or Q'ty	Part No.	SP	Description
1pc	A-8275-393-B	o	MOUNTED CIRCUIT BOARD, APR-1BA
1pc	3-171-453-03	o	PLATE (L), SHIELD, CARD
1pc	3-171-454-02	o	SHEET (L), CARD (PLA)
1pc	3-179-084-01	s	LEVER(R),PRINTED C,BOARD
1pc	3-179-085-01	s	LEVER(L),PRINTED C.BOARD
6pcs	7-682-902-11	s	SCREW +PWH 2.6X5(EP-FE/ZN/CM2)
C52	1-164-156-11	s	CAPACITOR,CERAMIC 0.1MF/25V F
C53	1-164-156-11	s	CAPACITOR,CERAMIC 0.1MF/25V F
C54	1-164-156-11	s	CAPACITOR,CERAMIC 0.1MF/25V F
C55	1-164-156-11	s	CAPACITOR,CERAMIC 0.1MF/25V F
C58	1-164-156-11	s	CAPACITOR,CERAMIC 0.1MF/25V F
C59	1-164-156-11	s	CAPACITOR,CERAMIC 0.1MF/25V F
C60	1-126-400-11	s	CAPACITOR ELECT 22MF/35V(CHIP)
C61	1-115-670-11	s	CAPACITOR ELECT 220MF/35V(CHIP)
C62	1-128-416-11	s	CAPACITOR ELECT 100MF/16V(105C)
C116	1-164-156-11	s	CAPACITOR,CERAMIC 0.1MF/25V F
C117	1-127-969-21	s	CAPACITOR,FILM 0.0047MF/50V
C118	1-162-915-11	s	CAPACITOR,CERAMIC 10PF/50V CH
C119	1-127-967-11	s	CAPACITOR,FILM 0.0022MF (2012)
C120	1-127-969-21	s	CAPACITOR,FILM 0.0047MF/50V
C121	1-128-936-21	s	CAPACITOR,ELECT (NONPOLAR)22MF
C122	1-162-927-11	s	CAPACITOR,CERAMIC 100PF/50V CH
C125	1-126-399-11	s	CAPACITOR ELECT 10MF/35V(CHIP)
C126	1-162-966-11	s	CAPACITOR,CERAMIC 2200PF/50V B
C127	1-115-467-11	s	CAPACITOR CERAMIC 0.22MF/10V B
C128	1-115-467-11	s	CAPACITOR CERAMIC 0.22MF/10V B
C129	1-162-919-11	s	CAPACITOR,CERAMIC 22PF/50V CH
C130	1-126-399-11	s	CAPACITOR ELECT 10MF/35V(CHIP)
C131	1-164-156-11	s	CAPACITOR,CERAMIC 0.1MF/25V F
C132	1-164-156-11	s	CAPACITOR,CERAMIC 0.1MF/25V F
C133	1-164-156-11	s	CAPACITOR,CERAMIC 0.1MF/25V F
C134	1-164-156-11	s	CAPACITOR,CERAMIC 0.1MF/25V F
C135	1-162-927-11	s	CAPACITOR,CERAMIC 100PF/50V CH
C136	1-126-399-11	s	CAPACITOR ELECT 10MF/35V(CHIP)
C137	1-126-399-11	s	CAPACITOR ELECT 10MF/35V(CHIP)
C138	1-126-399-11	s	CAPACITOR ELECT 10MF/35V(CHIP)
C139	1-164-156-11	s	CAPACITOR,CERAMIC 0.1MF/25V F
C140	1-164-156-11	s	CAPACITOR,CERAMIC 0.1MF/25V F
C141	1-126-399-11	s	CAPACITOR ELECT 10MF/35V(CHIP)
C143	1-162-927-11	s	CAPACITOR,CERAMIC 100PF/50V CH
C146	1-162-927-11	s	CAPACITOR,CERAMIC 100PF/50V CH
C147	1-162-927-11	s	CAPACITOR,CERAMIC 100PF/50V CH
C216	1-164-156-11	s	CAPACITOR,CERAMIC 0.1MF/25V F
C217	1-127-969-21	s	CAPACITOR,FILM 0.0047MF/50V
C218	1-162-915-11	s	CAPACITOR,CERAMIC 10PF/50V CH
C219	1-127-967-11	s	CAPACITOR,FILM 0.0022MF (2012)
C220	1-127-969-21	s	CAPACITOR,FILM 0.0047MF/50V
C221	1-128-936-21	s	CAPACITOR,ELECT (NONPOLAR)22MF
C222	1-162-927-11	s	CAPACITOR,CERAMIC 100PF/50V CH
C226	1-162-966-11	s	CAPACITOR,CERAMIC 2200PF/50V B
C227	1-162-919-11	s	CAPACITOR,CERAMIC 22PF/50V CH
C228	1-162-919-11	s	CAPACITOR,CERAMIC 22PF/50V CH
C229	1-162-919-11	s	CAPACITOR,CERAMIC 22PF/50V CH
C243	1-162-927-11	s	CAPACITOR,CERAMIC 100PF/50V CH
C246	1-162-927-11	s	CAPACITOR,CERAMIC 100PF/50V CH
C247	1-162-927-11	s	CAPACITOR,CERAMIC 100PF/50V CH
C316	1-164-156-11	s	CAPACITOR,CERAMIC 0.1MF/25V F
C317	1-127-969-21	s	CAPACITOR,FILM 0.0047MF/50V

(APR-1BA BOARD for DVW-A510P/CA510P, suffix 16 or higher )

(APR-1BA BOARD for DVW-A510P/CA510P, suffix 16 or higher )

Ref. No. or Q'ty	Part No.	SP Description
C318	1-162-915-11	s CAPACITOR,CERAMIC 10PF/50V CH
C319	1-127-967-11	s CAPACITOR,FILM 0.0022MF (2012)
C320	1-127-969-21	s CAPACITOR,FILM 0.0047MF/50V
C321	1-128-936-21	s CAPACITOR,ELECT (NONPOLAR)22MF
C322	1-162-927-11	s CAPACITOR,CERAMIC 100PF/50V CH
C325	1-126-399-11	s CAPACITOR ELECT 10MF/35V(CHIP)
C326	1-162-966-11	s CAPACITOR,CERAMIC 2200PF/50V B
C327	1-115-467-11	s CAPACITOR CERAMIC 0.22MF/10V B
C328	1-115-467-11	s CAPACITOR CERAMIC 0.22MF/10V B
C329	1-162-919-11	s CAPACITOR,CERAMIC 22PF/50V CH
C330	1-126-399-11	s CAPACITOR ELECT 10MF/35V(CHIP)
C331	1-164-156-11	s CAPACITOR,CERAMIC 0.1MF/25V F
C332	1-164-156-11	s CAPACITOR,CERAMIC 0.1MF/25V F
C333	1-164-156-11	s CAPACITOR,CERAMIC 0.1MF/25V F
C334	1-164-156-11	s CAPACITOR,CERAMIC 0.1MF/25V F
C335	1-162-927-11	s CAPACITOR,CERAMIC 100PF/50V CH
C336	1-126-399-11	s CAPACITOR ELECT 10MF/35V(CHIP)
C337	1-126-399-11	s CAPACITOR ELECT 10MF/35V(CHIP)
C338	1-126-399-11	s CAPACITOR ELECT 10MF/35V(CHIP)
C339	1-164-156-11	s CAPACITOR,CERAMIC 0.1MF/25V F
C340	1-164-156-11	s CAPACITOR,CERAMIC 0.1MF/25V F
C341	1-126-399-11	s CAPACITOR ELECT 10MF/35V(CHIP)
C343	1-162-927-11	s CAPACITOR,CERAMIC 100PF/50V CH
C346	1-162-927-11	s CAPACITOR,CERAMIC 100PF/50V CH
C347	1-162-927-11	s CAPACITOR,CERAMIC 100PF/50V CH
C416	1-164-156-11	s CAPACITOR,CERAMIC 0.1MF/25V F
C417	1-127-969-21	s CAPACITOR,FILM 0.0047MF/50V
C418	1-162-915-11	s CAPACITOR,CERAMIC 10PF/50V CH
C419	1-127-967-11	s CAPACITOR,FILM 0.0022MF (2012)
C420	1-127-969-21	s CAPACITOR,FILM 0.0047MF/50V
C421	1-128-936-21	s CAPACITOR,ELECT (NONPOLAR)22MF
C422	1-162-927-11	s CAPACITOR,CERAMIC 100PF/50V CH
C426	1-162-966-11	s CAPACITOR,CERAMIC 2200PF/50V B
C427	1-162-919-11	s CAPACITOR,CERAMIC 22PF/50V CH
C428	1-162-919-11	s CAPACITOR,CERAMIC 22PF/50V CH
C429	1-162-919-11	s CAPACITOR,CERAMIC 22PF/50V CH
C443	1-162-927-11	s CAPACITOR,CERAMIC 100PF/50V CH
C446	1-162-927-11	s CAPACITOR,CERAMIC 100PF/50V CH
C447	1-162-927-11	s CAPACITOR,CERAMIC 100PF/50V CH
C500	1-164-156-11	s CAPACITOR,CERAMIC 0.1MF/25V F
C501	1-107-420-11	s CAPACITOR,ELECT 47MF/35V(105C)
C502	1-126-400-11	s CAPACITOR ELECT 22MF/35V(CHIP)
C503	1-128-416-11	s CAPACITOR ELECT 100MF/16V(105C)
C504	1-128-936-21	s CAPACITOR,ELECT (NONPOLAR)22MF
C505	1-128-416-11	s CAPACITOR ELECT 100MF/16V(105C)
C506	1-128-936-21	s CAPACITOR,ELECT (NONPOLAR)22MF
C507	1-128-416-11	s CAPACITOR ELECT 100MF/16V(105C)
C508	1-164-156-11	s CAPACITOR,CERAMIC 0.1MF/25V F
C509	1-162-927-11	s CAPACITOR,CERAMIC 100PF/50V CH
C510	1-162-927-11	s CAPACITOR,CERAMIC 100PF/50V CH
C511	1-164-156-11	s CAPACITOR,CERAMIC 0.1MF/25V F
C512	1-126-399-11	s CAPACITOR ELECT 10MF/35V(CHIP)
C513	1-127-967-11	s CAPACITOR,FILM 0.0022MF (2012)
C514	1-127-967-11	s CAPACITOR,FILM 0.0022MF (2012)
C515	1-127-965-11	s CAPACITOR,CHIP FILM 0.001MF
C516	1-127-965-11	s CAPACITOR,CHIP FILM 0.001MF
C517	1-115-672-11	s CAPACITOR ELECT 10MF/35V(BP)
C518	1-115-672-11	s CAPACITOR ELECT 10MF/35V(BP)
C519	1-127-969-21	s CAPACITOR,FILM 0.0047MF/50V

Ref. No. or Q'ty	Part No.	SP Description
C520	1-127-969-21	s CAPACITOR,FILM 0.0047MF/50V
C521	1-164-156-11	s CAPACITOR,CERAMIC 0.1MF/25V F
C522	1-164-156-11	s CAPACITOR,CERAMIC 0.1MF/25V F
C523	1-128-416-11	s CAPACITOR ELECT 100MF/16V(105C)
C524	1-164-156-11	s CAPACITOR,CERAMIC 0.1MF/25V F
C525	1-164-156-11	s CAPACITOR,CERAMIC 0.1MF/25V F
C526	1-164-156-11	s CAPACITOR,CERAMIC 0.1MF/25V F
C527	1-164-156-11	s CAPACITOR,CERAMIC 0.1MF/25V F
C528	1-164-156-11	s CAPACITOR,CERAMIC 0.1MF/25V F
C529	1-164-156-11	s CAPACITOR,CERAMIC 0.1MF/25V F
C530	1-126-399-11	s CAPACITOR ELECT 10MF/35V(CHIP)
C531	1-128-936-21	s CAPACITOR,ELECT (NONPOLAR)22MF
C532	1-128-936-21	s CAPACITOR,ELECT (NONPOLAR)22MF
C533	1-128-936-21	s CAPACITOR,ELECT (NONPOLAR)22MF
C534	1-128-936-21	s CAPACITOR,ELECT (NONPOLAR)22MF
C535	1-162-919-11	s CAPACITOR,CERAMIC 22PF/50V CH
C536	1-162-919-11	s CAPACITOR,CERAMIC 22PF/50V CH
C537	1-162-919-11	s CAPACITOR,CERAMIC 22PF/50V CH
C538	1-162-919-11	s CAPACITOR,CERAMIC 22PF/50V CH
C539	1-128-936-21	s CAPACITOR,ELECT (NONPOLAR)22MF
C540	1-128-936-21	s CAPACITOR,ELECT (NONPOLAR)22MF
C541	1-128-936-21	s CAPACITOR,ELECT (NONPOLAR)22MF
C542	1-128-936-21	s CAPACITOR,ELECT (NONPOLAR)22MF
C543	1-162-927-11	s CAPACITOR,CERAMIC 100PF/50V CH
C544	1-162-927-11	s CAPACITOR,CERAMIC 100PF/50V CH
C545	1-162-927-11	s CAPACITOR,CERAMIC 100PF/50V CH
C546	1-162-927-11	s CAPACITOR,CERAMIC 100PF/50V CH
C547	1-128-936-21	s CAPACITOR,ELECT (NONPOLAR)22MF
C548	1-128-936-21	s CAPACITOR,ELECT (NONPOLAR)22MF
C549	1-128-936-21	s CAPACITOR,ELECT (NONPOLAR)22MF
C550	1-128-936-21	s CAPACITOR,ELECT (NONPOLAR)22MF
C551	1-127-965-11	s CAPACITOR,CHIP FILM 0.001MF
C552	1-127-965-11	s CAPACITOR,CHIP FILM 0.001MF
C553	1-128-416-11	s CAPACITOR ELECT 100MF/16V(105C)
C554	1-128-416-11	s CAPACITOR ELECT 100MF/16V(105C)
C555	1-107-420-11	s CAPACITOR,ELECT 47MF/35V(105C)
C556	1-107-420-11	s CAPACITOR,ELECT 47MF/35V(105C)
C557	1-164-156-11	s CAPACITOR,CERAMIC 0.1MF/25V F
C558	1-164-156-11	s CAPACITOR,CERAMIC 0.1MF/25V F
C559	1-107-420-11	s CAPACITOR,ELECT 47MF/35V(105C)
C560	1-107-420-11	s CAPACITOR,ELECT 47MF/35V(105C)
C561	1-164-156-11	s CAPACITOR,CERAMIC 0.1MF/25V F
C562	1-164-156-11	s CAPACITOR,CERAMIC 0.1MF/25V F
C563	1-162-915-11	s CAPACITOR,CERAMIC 10PF/50V CH
C564	1-162-915-11	s CAPACITOR,CERAMIC 10PF/50V CH
C565	1-107-420-11	s CAPACITOR,ELECT 47MF/35V(105C)
C566	1-128-416-11	s CAPACITOR ELECT 100MF/16V(105C)
C567	1-164-156-11	s CAPACITOR,CERAMIC 0.1MF/25V F
C568	1-126-400-11	s CAPACITOR ELECT 22MF/35V(CHIP)
C569	1-128-416-11	s CAPACITOR ELECT 100MF/16V(105C)
C570	1-164-156-11	s CAPACITOR,CERAMIC 0.1MF/25V F
C571	1-164-156-11	s CAPACITOR,CERAMIC 0.1MF/25V F
C572	1-126-399-11	s CAPACITOR ELECT 10MF/35V(CHIP)
C573	1-164-156-11	s CAPACITOR,CERAMIC 0.1MF/25V F
C574	1-126-399-11	s CAPACITOR ELECT 10MF/35V(CHIP)
C700	1-164-156-11	s CAPACITOR,CERAMIC 0.1MF/25V F
C701	1-107-420-11	s CAPACITOR,ELECT 47MF/35V(105C)
C702	1-126-400-11	s CAPACITOR ELECT 22MF/35V(CHIP)
C703	1-128-416-11	s CAPACITOR ELECT 100MF/16V(105C)

(APR-1BA BOARD for DVW-A510P/CA510P, suffix 16 or higher )

(APR-1BA BOARD for DVW-A510P/CA510P, suffix 16 or higher )

Ref. No. or Q'ty	Part No.	SP	Description
C704	1-128-936-21	s	CAPACITOR,ELECT (NONPOLAR)22MF
C705	1-128-416-11	s	CAPACITOR ELECT 100MF/16V(105C
C706	1-128-936-21	s	CAPACITOR,ELECT (NONPOLAR)22MF
C707	1-128-416-11	s	CAPACITOR ELECT 100MF/16V(105C
C708	1-164-156-11	s	CAPACITOR,CERAMIC 0.1MF/25V F
C709	1-162-927-11	s	CAPACITOR,CERAMIC 100PF/50V CH
C710	1-162-927-11	s	CAPACITOR,CERAMIC 100PF/50V CH
C711	1-164-156-11	s	CAPACITOR,CERAMIC 0.1MF/25V F
C712	1-126-399-11	s	CAPACITOR ELECT 10MF/35V(CHIP)
C713	1-127-967-11	s	CAPACITOR,FILM 0.0022MF (2012)
C714	1-127-967-11	s	CAPACITOR,FILM 0.0022MF (2012)
C715	1-127-965-11	s	CAPACITOR,CHIP FILM 0.001MF
C716	1-127-965-11	s	CAPACITOR,CHIP FILM 0.001MF
C717	1-115-672-11	s	CAPACITOR ELECT 10MF/35V(BP)
C718	1-115-672-11	s	CAPACITOR ELECT 10MF/35V(BP)
C719	1-127-969-21	s	CAPACITOR,FILM 0.0047MF/50V
C720	1-127-969-21	s	CAPACITOR,FILM 0.0047MF/50V
C721	1-164-156-11	s	CAPACITOR,CERAMIC 0.1MF/25V F
C722	1-164-156-11	s	CAPACITOR,CERAMIC 0.1MF/25V F
C723	1-128-416-11	s	CAPACITOR ELECT 100MF/16V(105C
C724	1-164-156-11	s	CAPACITOR,CERAMIC 0.1MF/25V F
C725	1-164-156-11	s	CAPACITOR,CERAMIC 0.1MF/25V F
C726	1-164-156-11	s	CAPACITOR,CERAMIC 0.1MF/25V F
C727	1-164-156-11	s	CAPACITOR,CERAMIC 0.1MF/25V F
C728	1-164-156-11	s	CAPACITOR,CERAMIC 0.1MF/25V F
C729	1-164-156-11	s	CAPACITOR,CERAMIC 0.1MF/25V F
C730	1-126-399-11	s	CAPACITOR ELECT 10MF/35V(CHIP)
C731	1-128-936-21	s	CAPACITOR,ELECT (NONPOLAR)22MF
C732	1-128-936-21	s	CAPACITOR,ELECT (NONPOLAR)22MF
C733	1-128-936-21	s	CAPACITOR,ELECT (NONPOLAR)22MF
C734	1-128-936-21	s	CAPACITOR,ELECT (NONPOLAR)22MF
C735	1-162-919-11	s	CAPACITOR,CERAMIC 22PF/50V CH
C736	1-162-919-11	s	CAPACITOR,CERAMIC 22PF/50V CH
C737	1-162-919-11	s	CAPACITOR,CERAMIC 22PF/50V CH
C738	1-162-919-11	s	CAPACITOR,CERAMIC 22PF/50V CH
C739	1-128-936-21	s	CAPACITOR,ELECT (NONPOLAR)22MF
C740	1-128-936-21	s	CAPACITOR,ELECT (NONPOLAR)22MF
C741	1-128-936-21	s	CAPACITOR,ELECT (NONPOLAR)22MF
C742	1-128-936-21	s	CAPACITOR,ELECT (NONPOLAR)22MF
C743	1-162-927-11	s	CAPACITOR,CERAMIC 100PF/50V CH
C744	1-162-927-11	s	CAPACITOR,CERAMIC 100PF/50V CH
C745	1-162-927-11	s	CAPACITOR,CERAMIC 100PF/50V CH
C746	1-162-927-11	s	CAPACITOR,CERAMIC 100PF/50V CH
C747	1-128-936-21	s	CAPACITOR,ELECT (NONPOLAR)22MF
C748	1-128-936-21	s	CAPACITOR,ELECT (NONPOLAR)22MF
C749	1-128-936-21	s	CAPACITOR,ELECT (NONPOLAR)22MF
C750	1-128-936-21	s	CAPACITOR,ELECT (NONPOLAR)22MF
C751	1-127-965-11	s	CAPACITOR,CHIP FILM 0.001MF
C752	1-127-965-11	s	CAPACITOR,CHIP FILM 0.001MF
C753	1-128-416-11	s	CAPACITOR ELECT 100MF/16V(105C
C754	1-128-416-11	s	CAPACITOR ELECT 100MF/16V(105C
C755	1-107-420-11	s	CAPACITOR,ELECT 47MF/35V(105C)
C756	1-107-420-11	s	CAPACITOR,ELECT 47MF/35V(105C)
C757	1-164-156-11	s	CAPACITOR,CERAMIC 0.1MF/25V F
C758	1-164-156-11	s	CAPACITOR,CERAMIC 0.1MF/25V F
C759	1-107-420-11	s	CAPACITOR,ELECT 47MF/35V(105C)
C760	1-107-420-11	s	CAPACITOR,ELECT 47MF/35V(105C)
C761	1-164-156-11	s	CAPACITOR,CERAMIC 0.1MF/25V F
C762	1-164-156-11	s	CAPACITOR,CERAMIC 0.1MF/25V F

Ref. No. or Q'ty	Part No.	SP	Description
C763	1-162-915-11	s	CAPACITOR,CERAMIC 10PF/50V CH
C764	1-162-915-11	s	CAPACITOR,CERAMIC 10PF/50V CH
C765	1-107-420-11	s	CAPACITOR,ELECT 47MF/35V(105C)
C766	1-128-416-11	s	CAPACITOR ELECT 100MF/16V(105C
C767	1-164-156-11	s	CAPACITOR,CERAMIC 0.1MF/25V F
C768	1-126-400-11	s	CAPACITOR ELECT 22MF/35V(CHIP)
C769	1-128-416-11	s	CAPACITOR ELECT 100MF/16V(105C
C770	1-164-156-11	s	CAPACITOR,CERAMIC 0.1MF/25V F
C771	1-164-156-11	s	CAPACITOR,CERAMIC 0.1MF/25V F
C772	1-126-399-11	s	CAPACITOR ELECT 10MF/35V(CHIP)
C773	1-164-156-11	s	CAPACITOR,CERAMIC 0.1MF/25V F
C774	1-126-399-11	s	CAPACITOR ELECT 10MF/35V(CHIP)
C900	1-164-156-11	s	CAPACITOR,CERAMIC 0.1MF/25V F
C901	1-162-966-11	s	CAPACITOR,CERAMIC 2200PF/50V B
C902	1-126-399-11	s	CAPACITOR ELECT 10MF/35V(CHIP)
C903	1-128-416-11	s	CAPACITOR ELECT 100MF/16V(105C
C904	1-128-416-11	s	CAPACITOR ELECT 100MF/16V(105C
C905	1-128-416-11	s	CAPACITOR ELECT 100MF/16V(105C
C906	1-128-416-11	s	CAPACITOR ELECT 100MF/16V(105C
C907	1-128-416-11	s	CAPACITOR ELECT 100MF/16V(105C
C908	1-128-416-11	s	CAPACITOR ELECT 100MF/16V(105C
C909	1-164-156-11	s	CAPACITOR,CERAMIC 0.1MF/25V F
C910	1-162-927-11	s	CAPACITOR,CERAMIC 100PF/50V CH
C911	1-162-927-11	s	CAPACITOR,CERAMIC 100PF/50V CH
C912	1-164-156-11	s	CAPACITOR,CERAMIC 0.1MF/25V F
C913	1-126-399-11	s	CAPACITOR ELECT 10MF/35V(CHIP)
C914	1-127-967-11	s	CAPACITOR,FILM 0.0022MF (2012)
C915	1-127-967-11	s	CAPACITOR,FILM 0.0022MF (2012)
C916	1-162-915-11	s	CAPACITOR,CERAMIC 10PF/50V CH
C917	1-127-965-11	s	CAPACITOR,CHIP FILM 0.001MF
C918	1-127-965-11	s	CAPACITOR,CHIP FILM 0.001MF
C919	1-115-672-11	s	CAPACITOR ELECT 10MF/35V(BP)
C920	1-115-672-11	s	CAPACITOR ELECT 10MF/35V(BP)
C921	1-127-969-21	s	CAPACITOR,FILM 0.0047MF/50V
C922	1-127-969-21	s	CAPACITOR,FILM 0.0047MF/50V
C923	1-164-156-11	s	CAPACITOR,CERAMIC 0.1MF/25V F
C924	1-164-156-11	s	CAPACITOR,CERAMIC 0.1MF/25V F
C927	1-126-399-11	s	CAPACITOR ELECT 10MF/35V(CHIP)
C928	1-126-399-11	s	CAPACITOR ELECT 10MF/35V(CHIP)
C929	1-164-156-11	s	CAPACITOR,CERAMIC 0.1MF/25V F
C930	1-164-156-11	s	CAPACITOR,CERAMIC 0.1MF/25V F
C931	1-164-156-11	s	CAPACITOR,CERAMIC 0.1MF/25V F
C932	1-164-156-11	s	CAPACITOR,CERAMIC 0.1MF/25V F
C933	1-164-156-11	s	CAPACITOR,CERAMIC 0.1MF/25V F
C934	1-164-156-11	s	CAPACITOR,CERAMIC 0.1MF/25V F
C935	1-164-156-11	s	CAPACITOR,CERAMIC 0.1MF/25V F
C936	1-164-156-11	s	CAPACITOR,CERAMIC 0.1MF/25V F
C937	1-126-399-11	s	CAPACITOR ELECT 10MF/35V(CHIP)
C938	1-126-399-11	s	CAPACITOR ELECT 10MF/35V(CHIP)
C941	1-128-936-21	s	CAPACITOR,ELECT (NONPOLAR)22MF
C942	1-128-936-21	s	CAPACITOR,ELECT (NONPOLAR)22MF
C943	1-128-936-21	s	CAPACITOR,ELECT (NONPOLAR)22MF
C944	1-128-936-21	s	CAPACITOR,ELECT (NONPOLAR)22MF
C945	1-162-919-11	s	CAPACITOR,CERAMIC 22PF/50V CH
C946	1-162-919-11	s	CAPACITOR,CERAMIC 22PF/50V CH
C947	1-162-919-11	s	CAPACITOR,CERAMIC 22PF/50V CH
C948	1-162-919-11	s	CAPACITOR,CERAMIC 22PF/50V CH
C949	1-128-936-21	s	CAPACITOR,ELECT (NONPOLAR)22MF
C950	1-128-936-21	s	CAPACITOR,ELECT (NONPOLAR)22MF

(APR-1BA BOARD for DVW-A510P/CA510P, suffix 16 or higher )

(APR-1BA BOARD for DVW-A510P/CA510P, suffix 16 or higher )

Ref. No. or Q'ty	Part No.	SP Description
C951	1-128-936-21	s CAPACITOR,ELECT (NONPOLAR)22MF
C952	1-128-936-21	s CAPACITOR,ELECT (NONPOLAR)22MF
C953	1-162-927-11	s CAPACITOR,CERAMIC 100PF/50V CH
C954	1-162-927-11	s CAPACITOR,CERAMIC 100PF/50V CH
C955	1-162-927-11	s CAPACITOR,CERAMIC 100PF/50V CH
C956	1-162-927-11	s CAPACITOR,CERAMIC 100PF/50V CH
C957	1-128-936-21	s CAPACITOR,ELECT (NONPOLAR)22MF
C958	1-128-936-21	s CAPACITOR,ELECT (NONPOLAR)22MF
C959	1-128-936-21	s CAPACITOR,ELECT (NONPOLAR)22MF
C960	1-128-936-21	s CAPACITOR,ELECT (NONPOLAR)22MF
C961	1-127-965-11	s CAPACITOR,CHIP FILM 0.001MF
C962	1-127-965-11	s CAPACITOR,CHIP FILM 0.001MF
C963	1-128-416-11	s CAPACITOR ELECT 100MF/16V(105C
C964	1-128-416-11	s CAPACITOR ELECT 100MF/16V(105C
C965	1-107-420-11	s CAPACITOR,ELECT 47MF/35V(105C)
C966	1-107-420-11	s CAPACITOR,ELECT 47MF/35V(105C)
C967	1-164-156-11	s CAPACITOR,CERAMIC 0.1MF/25V F
C968	1-164-156-11	s CAPACITOR,CERAMIC 0.1MF/25V F
C969	1-107-420-11	s CAPACITOR,ELECT 47MF/35V(105C)
C970	1-107-420-11	s CAPACITOR,ELECT 47MF/35V(105C)
C971	1-164-156-11	s CAPACITOR,CERAMIC 0.1MF/25V F
C972	1-164-156-11	s CAPACITOR,CERAMIC 0.1MF/25V F
C973	1-162-915-11	s CAPACITOR,CERAMIC 10PF/50V CH
C974	1-162-919-11	s CAPACITOR,CERAMIC 22PF/50V CH
C975	1-162-919-11	s CAPACITOR,CERAMIC 22PF/50V CH
C1001	1-115-672-11	s CAPACITOR ELECT 10MF/35V(BP)
C1002	1-115-672-11	s CAPACITOR ELECT 10MF/35V(BP)
C1003	1-164-156-11	s CAPACITOR,CERAMIC 0.1MF/25V F
C1004	1-164-156-11	s CAPACITOR,CERAMIC 0.1MF/25V F
C1100	1-107-420-11	s CAPACITOR,ELECT 47MF/35V(105C)
C1101	1-107-420-11	s CAPACITOR,ELECT 47MF/35V(105C)
C1102	1-164-156-11	s CAPACITOR,CERAMIC 0.1MF/25V F
C1103	1-107-420-11	s CAPACITOR,ELECT 47MF/35V(105C)
C1104	1-107-420-11	s CAPACITOR,ELECT 47MF/35V(105C)
C1105	1-107-420-11	s CAPACITOR,ELECT 47MF/35V(105C)
C1106	1-107-420-11	s CAPACITOR,ELECT 47MF/35V(105C)
C1107	1-107-420-11	s CAPACITOR,ELECT 47MF/35V(105C)
C1108	1-107-420-11	s CAPACITOR,ELECT 47MF/35V(105C)
C1109	1-107-420-11	s CAPACITOR,ELECT 47MF/35V(105C)
C1110	1-107-420-11	s CAPACITOR,ELECT 47MF/35V(105C)
C1111	1-164-156-11	s CAPACITOR,CERAMIC 0.1MF/25V F
C1112	1-164-156-11	s CAPACITOR,CERAMIC 0.1MF/25V F
C1113	1-164-156-11	s CAPACITOR,CERAMIC 0.1MF/25V F
C1114	1-164-156-11	s CAPACITOR,CERAMIC 0.1MF/25V F
C1120	1-107-420-11	s CAPACITOR,ELECT 47MF/35V(105C)
C1121	1-164-156-11	s CAPACITOR,CERAMIC 0.1MF/25V F
C1300	1-164-156-11	s CAPACITOR,CERAMIC 0.1MF/25V F
C1301	1-126-399-11	s CAPACITOR ELECT 10MF/35V(CHIP)
C1314	1-164-156-11	s CAPACITOR,CERAMIC 0.1MF/25V F
C1315	1-164-156-11	s CAPACITOR,CERAMIC 0.1MF/25V F
C1560	1-164-156-11	s CAPACITOR,CERAMIC 0.1MF/25V F
C1561	1-164-156-11	s CAPACITOR,CERAMIC 0.1MF/25V F
C1562	1-164-156-11	s CAPACITOR,CERAMIC 0.1MF/25V F
C1563	1-164-156-11	s CAPACITOR,CERAMIC 0.1MF/25V F
C1564	1-164-156-11	s CAPACITOR,CERAMIC 0.1MF/25V F
C1565	1-164-156-11	s CAPACITOR,CERAMIC 0.1MF/25V F
C1570	1-164-156-11	s CAPACITOR,CERAMIC 0.1MF/25V F
C1571	1-162-915-11	s CAPACITOR,CERAMIC 10PF/50V CH
C1572	1-162-915-11	s CAPACITOR,CERAMIC 10PF/50V CH

Ref. No. or Q'ty	Part No.	SP Description
C1573	1-107-686-11	s CAPACITOR,CHIP TANTAL4.7MF/16V
C1590	1-164-156-11	s CAPACITOR,CERAMIC 0.1MF/25V F
C1591	1-126-399-11	s CAPACITOR ELECT 10MF/35V(CHIP)
C1592	1-164-156-11	s CAPACITOR,CERAMIC 0.1MF/25V F
CN119	1-573-600-21	s CONNECTOR, PC BOARD (PLUG)100P
CN120	1-573-600-21	s CONNECTOR, PC BOARD (PLUG)100P
CN121	1-573-600-21	s CONNECTOR, PC BOARD (PLUG)100P
D1	8-719-024-81	s DIODE 1SS300-TE85L
D2	8-719-404-35	s DIODE MA141WK
D3	8-719-024-81	s DIODE 1SS300-TE85L
D4	8-719-024-81	s DIODE 1SS300-TE85L
D5	8-719-024-81	s DIODE 1SS300-TE85L
D6	8-719-404-35	s DIODE MA141WK
D7	8-719-404-35	s DIODE MA141WK
D8	8-719-404-35	s DIODE MA141WK
D50	8-719-801-48	s DIODE 1SS193
D51	8-719-064-52	s DIODE CL-191YG-CD-T
D52	8-719-941-23	s DIODE DA204U
D53	8-719-941-23	s DIODE DA204U
D104	8-719-941-23	s DIODE DA204U
D105	8-719-941-23	s DIODE DA204U
D204	8-719-941-23	s DIODE DA204U
D205	8-719-941-23	s DIODE DA204U
D304	8-719-941-23	s DIODE DA204U
D305	8-719-941-23	s DIODE DA204U
D404	8-719-941-23	s DIODE DA204U
D405	8-719-941-23	s DIODE DA204U
D500	8-719-941-04	s DIODE SB007-03CP
D501	8-719-941-04	s DIODE SB007-03CP
D502	8-719-801-48	s DIODE 1SS193
D503	8-719-801-48	s DIODE 1SS193
D504	8-719-068-64	s DIODE MA143A-(TX).SO
D505	8-719-068-64	s DIODE MA143A-(TX).SO
D506	8-719-068-64	s DIODE MA143A-(TX).SO
D507	8-719-068-64	s DIODE MA143A-(TX).SO
D700	8-719-941-04	s DIODE SB007-03CP
D701	8-719-941-04	s DIODE SB007-03CP
D702	8-719-801-48	s DIODE 1SS193
D703	8-719-801-48	s DIODE 1SS193
D704	8-719-068-64	s DIODE MA143A-(TX).SO
D705	8-719-068-64	s DIODE MA143A-(TX).SO
D706	8-719-068-64	s DIODE MA143A-(TX).SO
D707	8-719-068-64	s DIODE MA143A-(TX).SO
D900	8-719-941-23	s DIODE DA204U
D905	8-719-801-48	s DIODE 1SS193
D906	8-719-801-48	s DIODE 1SS193
D907	8-719-068-64	s DIODE MA143A-(TX).SO
D908	8-719-068-64	s DIODE MA143A-(TX).SO
D909	8-719-068-64	s DIODE MA143A-(TX).SO
D910	8-719-068-64	s DIODE MA143A-(TX).SO
D1530	8-719-017-09	s DIODE 02D26.2-TPH3
D1531	8-719-017-09	s DIODE 02D26.2-TPH3
D1540	8-719-017-09	s DIODE 02D26.2-TPH3
D1541	8-719-017-09	s DIODE 02D26.2-TPH3
D1550	8-719-017-09	s DIODE 02D26.2-TPH3
D1551	8-719-017-09	s DIODE 02D26.2-TPH3
FB1300	1-469-094-11	s FERRITE, EMI (SMD)
FB1590	1-469-094-11	s FERRITE, EMI (SMD)



(APR-1BA BOARD for DVW-A510P/CA510P, suffix 16 or higher )

(APR-1BA BOARD for DVW-A510P/CA510P, suffix 16 or higher )

Ref. No. or Q'ty	Part No.	SP	Description
IC2	8-759-491-46	s IC	TC74VHCT04AFT (EL)
IC4	8-759-479-32	s IC	SN75C1168NS (E05)
IC5	8-759-523-95	s IC	TC74VHC74FT(EL)
IC52	8-759-524-07	s IC	TC74VHC138FT(EL)
IC53	8-759-524-40	s IC	TC74VHC373FT(EL)
IC54	8-752-381-84	s IC	CXD1095BQ
IC56	8-759-523-94	s IC	TC74VHC32FT(EL)
IC57	6-704-161-01	s IC	S-80840CNUA-B8ZT2G
IC58	8-759-523-78	s IC	TC74VHC00FT(EL)
IC59	6-704-161-01	s IC	S-80840CNUA-B8ZT2G
IC60	6-704-161-01	s IC	S-80840CNUA-B8ZT2G
IC105	8-759-745-64	s IC	NJM4560M
IC106	8-759-745-64	s IC	NJM4560M
IC107	8-759-336-17	s IC	AK5390-VS
IC108	8-759-446-74	s IC	TA79L05F(TE12L)
IC109	8-759-234-08	s IC	TA78L05F
IC110	8-759-745-64	s IC	NJM4560M
IC112	8-759-523-95	s IC	TC74VHC74FT(EL)
IC117	8-759-745-64	s IC	NJM4560M
IC205	8-759-745-64	s IC	NJM4560M
IC206	8-759-745-64	s IC	NJM4560M
IC210	8-759-745-64	s IC	NJM4560M
IC217	8-759-745-64	s IC	NJM4560M
IC305	8-759-745-64	s IC	NJM4560M
IC306	8-759-745-64	s IC	NJM4560M
IC307	8-759-336-17	s IC	AK5390-VS
IC308	8-759-446-74	s IC	TA79L05F(TE12L)
IC309	8-759-234-08	s IC	TA78L05F
IC310	8-759-745-64	s IC	NJM4560M
IC317	8-759-745-64	s IC	NJM4560M
IC405	8-759-745-64	s IC	NJM4560M
IC406	8-759-745-64	s IC	NJM4560M
IC410	8-759-745-64	s IC	NJM4560M
IC417	8-759-745-64	s IC	NJM4560M
IC500	8-759-348-81	s IC	SM5843AS1 (E2)
IC501	8-759-593-52	s IC	PCM1702U-J/2K
IC502	8-759-064-92	s IC	NJM5532M-D
IC503	8-759-064-92	s IC	NJM5532M-D
IC504	8-759-234-08	s IC	TA78L05F
IC505	8-759-745-64	s IC	NJM4560M
IC506	8-759-745-64	s IC	NJM4560M
IC507	8-759-745-64	s IC	NJM4560M
IC508	8-759-745-64	s IC	NJM4560M
IC509	8-759-745-64	s IC	NJM4560M
IC510	8-759-745-64	s IC	NJM4560M
IC511	8-759-064-92	s IC	NJM5532M-D
IC512	8-759-064-92	s IC	NJM5532M-D
IC513	8-759-745-64	s IC	NJM4560M
IC514	8-759-064-92	s IC	NJM5532M-D
IC515	8-759-064-92	s IC	NJM5532M-D
IC516	8-759-745-64	s IC	NJM4560M
IC519	8-759-446-74	s IC	TA79L05F(TE12L)
IC520	8-759-593-52	s IC	PCM1702U-J/2K
IC521	8-759-234-08	s IC	TA78L05F
IC522	8-759-446-74	s IC	TA79L05F(TE12L)
IC700	8-759-348-81	s IC	SM5843AS1 (E2)
IC701	8-759-593-52	s IC	PCM1702U-J/2K
IC702	8-759-064-92	s IC	NJM5532M-D
IC703	8-759-064-92	s IC	NJM5532M-D

Ref. No. or Q'ty	Part No.	SP	Description
IC704	8-759-234-08	s IC	TA78L05F
IC705	8-759-745-64	s IC	NJM4560M
IC706	8-759-745-64	s IC	NJM4560M
IC707	8-759-745-64	s IC	NJM4560M
IC708	8-759-745-64	s IC	NJM4560M
IC709	8-759-745-64	s IC	NJM4560M
IC710	8-759-745-64	s IC	NJM4560M
IC711	8-759-064-92	s IC	NJM5532M-D
IC712	8-759-064-92	s IC	NJM5532M-D
IC713	8-759-745-64	s IC	NJM4560M
IC714	8-759-064-92	s IC	NJM5532M-D
IC715	8-759-064-92	s IC	NJM5532M-D
IC716	8-759-745-64	s IC	NJM4560M
IC719	8-759-446-74	s IC	TA79L05F(TE12L)
IC720	8-759-593-52	s IC	PCM1702U-J/2K
IC721	8-759-234-08	s IC	TA78L05F
IC722	8-759-446-74	s IC	TA79L05F(TE12L)
IC900	8-759-348-81	s IC	SM5843AS1 (E2)
IC901	8-759-745-64	s IC	NJM4560M
IC902	8-759-593-54	s IC	PCM69AU-K/2K
IC903	8-759-530-05	s IC	TC4053BFT (EL.N)
IC904	8-759-064-92	s IC	NJM5532M-D
IC905	8-759-064-92	s IC	NJM5532M-D
IC906	8-759-234-08	s IC	TA78L05F
IC907	8-759-745-64	s IC	NJM4560M
IC908	8-759-745-64	s IC	NJM4560M
IC909	8-759-745-64	s IC	NJM4560M
IC910	8-759-234-08	s IC	TA78L05F
IC911	8-759-446-74	s IC	TA79L05F(TE12L)
IC912	8-759-745-64	s IC	NJM4560M
IC913	8-759-745-64	s IC	NJM4560M
IC914	8-759-745-64	s IC	NJM4560M
IC915	8-759-745-64	s IC	NJM4560M
IC916	8-759-745-64	s IC	NJM4560M
IC917	8-759-745-64	s IC	NJM4560M
IC918	8-759-064-92	s IC	NJM5532M-D
IC919	8-759-064-92	s IC	NJM5532M-D
IC920	8-759-745-64	s IC	NJM4560M
IC921	8-759-064-92	s IC	NJM5532M-D
IC922	8-759-064-92	s IC	NJM5532M-D
IC923	8-759-745-64	s IC	NJM4560M
IC1300	8-759-524-50	s IC	TC74VHC541FT(EL)
IC1301	8-759-491-46	s IC	TC74VHCT04AFT (EL)
IC1304	8-759-391-30	s IC	74LVX3245QSCX
IC1306	8-759-524-28	s IC	TC74VHC245FT(EL)
IC1307	8-759-524-50	s IC	TC74VHC541FT(EL)
IC1530	8-759-064-92	s IC	NJM5532M-D
IC1531	8-759-064-92	s IC	NJM5532M-D
IC1540	8-759-064-92	s IC	NJM5532M-D
IC1541	8-759-064-92	s IC	NJM5532M-D
IC1550	8-759-064-92	s IC	NJM5532M-D
IC1551	8-759-064-92	s IC	NJM5532M-D
IC1560	8-759-391-30	s IC	74LVX3245QSCX
IC1561	8-759-391-30	s IC	74LVX3245QSCX
IC1562	8-759-590-19	s IC	CXD9068BR
IC1563	8-759-391-30	s IC	74LVX3245QSCX
IC1564	8-759-391-30	s IC	74LVX3245QSCX
IC1565	8-759-391-30	s IC	74LVX3245QSCX
IC1570	8-759-391-30	s IC	74LVX3245QSCX

(APR-1BA BOARD for DVW-A510P/CA510P, suffix 16 or higher )

(APR-1BA BOARD for DVW-A510P/CA510P, suffix 16 or higher )

Ref. No. or Q'ty	Part No.	SP Description
PS1100 Δ	1-533-271-21	s FUSE, CHIP
Q1	8-729-029-14	s TRANSISTOR DTC144EUA-T106
Q2	8-729-028-91	s TRANSISTOR DTA144EUA-T106
Q3	8-729-029-14	s TRANSISTOR DTC144EUA-T106
Q4	8-729-028-91	s TRANSISTOR DTA144EUA-T106
Q54	8-729-028-91	s TRANSISTOR DTA144EUA-T106
Q55	8-729-029-14	s TRANSISTOR DTC144EUA-T106
Q56	8-729-029-14	s TRANSISTOR DTC144EUA-T106
Q57	8-729-029-14	s TRANSISTOR DTC144EUA-T106
Q58	8-729-029-14	s TRANSISTOR DTC144EUA-T106
Q59	8-729-029-14	s TRANSISTOR DTC144EUA-T106
Q60	8-729-029-14	s TRANSISTOR DTC144EUA-T106
Q61	8-729-029-14	s TRANSISTOR DTC144EUA-T106
Q101	8-729-140-63	s TRANSISTOR 2SA1611-M5M6
Q102	8-729-012-35	s FET 2SK711-BL
Q201	8-729-140-63	s TRANSISTOR 2SA1611-M5M6
Q202	8-729-012-35	s FET 2SK711-BL
Q301	8-729-140-63	s TRANSISTOR 2SA1611-M5M6
Q302	8-729-012-35	s FET 2SK711-BL
Q401	8-729-140-63	s TRANSISTOR 2SA1611-M5M6
Q402	8-729-012-35	s FET 2SK711-BL
Q500	8-729-012-35	s FET 2SK711-BL
Q501	8-729-012-35	s FET 2SK711-BL
Q504	8-729-140-63	s TRANSISTOR 2SA1611-M5M6
Q505	8-729-140-63	s TRANSISTOR 2SA1611-M5M6
Q506	8-729-807-51	s TRANSISTOR 2SD1623-S
Q507	8-729-807-51	s TRANSISTOR 2SD1623-S
Q700	8-729-012-35	s FET 2SK711-BL
Q701	8-729-012-35	s FET 2SK711-BL
Q704	8-729-140-63	s TRANSISTOR 2SA1611-M5M6
Q705	8-729-140-63	s TRANSISTOR 2SA1611-M5M6
Q706	8-729-807-51	s TRANSISTOR 2SD1623-S
Q707	8-729-807-51	s TRANSISTOR 2SD1623-S
Q900	8-729-012-35	s FET 2SK711-BL
Q901	8-729-012-35	s FET 2SK711-BL
Q904	8-729-140-63	s TRANSISTOR 2SA1611-M5M6
Q905	8-729-140-63	s TRANSISTOR 2SA1611-M5M6
Q906	8-729-807-51	s TRANSISTOR 2SD1623-S
Q907	8-729-807-51	s TRANSISTOR 2SD1623-S
Q1000	8-729-012-35	s FET 2SK711-BL
Q1001	8-729-012-35	s FET 2SK711-BL
R1	1-218-716-11	s RESISTOR,CHIP 10K 1/16W(1608)
R2	1-218-716-11	s RESISTOR,CHIP 10K 1/16W(1608)
R7	1-218-704-11	s RESISTOR,CHIP 3.3K 1/16W(1608)
R8	1-218-704-11	s RESISTOR,CHIP 3.3K 1/16W(1608)
R9	1-218-704-11	s RESISTOR,CHIP 3.3K 1/16W(1608)
R10	1-218-704-11	s RESISTOR,CHIP 3.3K 1/16W(1608)
R11	1-218-660-91	s RESISTOR,CHIP 47 1/16W (1608)
R12	1-218-660-91	s RESISTOR,CHIP 47 1/16W (1608)
R13	1-218-660-91	s RESISTOR,CHIP 47 1/16W (1608)
R14	1-218-660-91	s RESISTOR,CHIP 47 1/16W (1608)
R27	1-218-716-11	s RESISTOR,CHIP 10K 1/16W(1608)
R28	1-218-684-11	s RESISTOR,CHIP 470 1/16W (1608)
R29	1-218-692-11	s RESISTOR,CHIP 1.0K 1/16W(1608)
R32	1-218-689-11	s RESISTOR,CHIP 750 1/16W (1608)
R34	1-218-700-11	s RESISTOR,CHIP 2.2K 1/16W(1608)
R35	1-218-716-11	s RESISTOR,CHIP 10K 1/16W(1608)
R41	1-218-668-11	s RESISTOR,CHIP 100 1/16W (1608)

Ref. No. or Q'ty	Part No.	SP Description
R42	1-218-734-11	s RESISTOR,CHIP 56K 1/16W(1608)
R43	1-218-734-11	s RESISTOR,CHIP 56K 1/16W(1608)
R44	1-218-716-11	s RESISTOR,CHIP 10K 1/16W(1608)
R47	1-218-708-11	s RESISTOR,CHIP 4.7K 1/16W(1608)
R48	1-218-699-11	s RESISTOR,CHIP 2.0K 1/16W(1608)
R49	1-218-716-11	s RESISTOR,CHIP 10K 1/16W(1608)
R51	1-218-684-11	s RESISTOR,CHIP 470 1/16W (1608)
R52	1-218-716-11	s RESISTOR,CHIP 10K 1/16W(1608)
R53	1-218-684-11	s RESISTOR,CHIP 470 1/16W (1608)
R62	1-218-716-11	s RESISTOR,CHIP 10K 1/16W(1608)
R71	1-218-716-11	s RESISTOR,CHIP 10K 1/16W(1608)
R73	1-218-716-11	s RESISTOR,CHIP 10K 1/16W(1608)
R74	1-218-716-11	s RESISTOR,CHIP 10K 1/16W(1608)
R83	1-218-707-11	s RESISTOR,CHIP 4.3K 1/16W(1608)
R84	1-218-679-91	s RESISTOR, METAL FILM 300 1/16W
R85	1-218-699-11	s RESISTOR,CHIP 2.0K 1/16W(1608)
R86	1-218-708-11	s RESISTOR,CHIP 4.7K 1/16W(1608)
R93	1-218-716-11	s RESISTOR,CHIP 10K 1/16W(1608)
R94	1-218-692-11	s RESISTOR,CHIP 1.0K 1/16W(1608)
R95	1-218-716-11	s RESISTOR,CHIP 10K 1/16W(1608)
R96	1-218-716-11	s RESISTOR,CHIP 10K 1/16W(1608)
R97	1-218-700-11	s RESISTOR,CHIP 2.2K 1/16W(1608)
R98	1-218-716-11	s RESISTOR,CHIP 10K 1/16W(1608)
R129	1-218-708-11	s RESISTOR,CHIP 4.7K 1/16W(1608)
R136	1-218-716-11	s RESISTOR,CHIP 10K 1/16W(1608)
R139	1-218-716-11	s RESISTOR,CHIP 10K 1/16W(1608)
R141	1-218-692-11	s RESISTOR,CHIP 1.0K 1/16W(1608)
R142	1-218-706-11	s RESISTOR,CHIP 3.9K 1/16W(1608)
R143	1-218-724-11	s RESISTOR,CHIP 22K 1/16W(1608)
R145	1-218-738-11	s RESISTOR,CHIP 82K 1/16W(1608)
R146	1-218-696-11	s RESISTOR,CHIP 1.5K 1/16W(1608)
R150	1-218-702-11	s RESISTOR,CHIP 2.7K 1/16W(1608)
R151	1-218-692-11	s RESISTOR,CHIP 1.0K 1/16W(1608)
R152	1-218-700-11	s RESISTOR,CHIP 2.2K 1/16W(1608)
R153	1-216-857-11	s RESISTOR, CHIP 1.0M 1/16W 1608
R154	1-218-720-11	s RESISTOR,CHIP 15K 1/16W(1608)
R155	1-218-720-11	s RESISTOR,CHIP 15K 1/16W(1608)
R157	1-218-691-11	s RESISTOR,CHIP 910 1/16W (1608)
R158	1-218-691-11	s RESISTOR,CHIP 910 1/16W (1608)
R159	1-218-715-11	s RESISTOR,METAL 9.1K 1/16W
R160	1-218-716-11	s RESISTOR,CHIP 10K 1/16W(1608)
R161	1-218-716-11	s RESISTOR,CHIP 10K 1/16W(1608)
R162	1-218-711-11	s RESISTOR,METAL 6.2K 1/16W
R163	1-218-658-11	s RESISTOR,CHIP 39 1/16W (1608)
R164	1-218-716-11	s RESISTOR,CHIP 10K 1/16W(1608)
R165	1-218-658-11	s RESISTOR,CHIP 39 1/16W (1608)
R166	1-218-719-11	s RESISTOR,METAL 13K 1/16
R169	1-218-708-11	s RESISTOR,CHIP 4.7K 1/16W(1608)
R171	1-216-864-11	s RESISTOR,CHIP 0 1/16W (1608)
R172	1-218-711-11	s RESISTOR,METAL 6.2K 1/16W
R173	1-218-668-11	s RESISTOR,CHIP 100 1/16W (1608)
R174	1-218-708-11	s RESISTOR,CHIP 4.7K 1/16W(1608)
R175	1-218-708-11	s RESISTOR,CHIP 4.7K 1/16W(1608)
R176	1-218-708-11	s RESISTOR,CHIP 4.7K 1/16W(1608)
R177	1-218-708-11	s RESISTOR,CHIP 4.7K 1/16W(1608)
R179	1-218-716-11	s RESISTOR,CHIP 10K 1/16W(1608)
R180	1-218-740-11	s RESISTOR,CHIP 100K 1/16W(1608)
R181	1-218-740-11	s RESISTOR,CHIP 100K 1/16W(1608)
R184	1-218-660-91	s RESISTOR,CHIP 47 1/16W (1608)



(APR-1BA BOARD for DVW-A510P/CA510P, suffix 16 or higher )

(APR-1BA BOARD for DVW-A510P/CA510P, suffix 16 or higher )

Ref. No. or Q'ty	Part No.	SP Description
R510	1-218-679-91	s RESISTOR, METAL FILM 300 1/16W
R511	1-218-717-11	s RESISTOR,CHIP 11K 1/16W (1608)
R512	1-218-717-11	s RESISTOR,CHIP 11K 1/16W (1608)
R513	1-218-724-11	s RESISTOR,CHIP 22K 1/16W(1608)
R514	1-218-724-11	s RESISTOR,CHIP 22K 1/16W(1608)
R515	1-218-696-11	s RESISTOR,CHIP 1.5K 1/16W(1608)
R516	1-218-696-11	s RESISTOR,CHIP 1.5K 1/16W(1608)
R517	1-218-696-11	s RESISTOR,CHIP 1.5K 1/16W(1608)
R518	1-218-696-11	s RESISTOR,CHIP 1.5K 1/16W(1608)
R519	1-218-720-11	s RESISTOR,CHIP 15K 1/16W(1608)
R520	1-218-720-11	s RESISTOR,CHIP 15K 1/16W(1608)
R521	1-218-720-11	s RESISTOR,CHIP 15K 1/16W(1608)
R522	1-218-720-11	s RESISTOR,CHIP 15K 1/16W(1608)
R523	1-218-692-11	s RESISTOR,CHIP 1.0K 1/16W(1608)
R524	1-218-692-11	s RESISTOR,CHIP 1.0K 1/16W(1608)
R525	1-218-738-11	s RESISTOR,CHIP 82K 1/16W(1608)
R526	1-218-738-11	s RESISTOR,CHIP 82K 1/16W(1608)
R527	1-218-700-11	s RESISTOR,CHIP 2.2K 1/16W(1608)
R528	1-218-700-11	s RESISTOR,CHIP 2.2K 1/16W(1608)
R533	1-218-724-11	s RESISTOR,CHIP 22K 1/16W(1608)
R534	1-218-724-11	s RESISTOR,CHIP 22K 1/16W(1608)
R535	1-218-692-11	s RESISTOR,CHIP 1.0K 1/16W(1608)
R536	1-218-706-11	s RESISTOR,CHIP 3.9K 1/16W(1608)
R537	1-218-692-11	s RESISTOR,CHIP 1.0K 1/16W(1608)
R538	1-218-706-11	s RESISTOR,CHIP 3.9K 1/16W(1608)
R539	1-218-716-11	s RESISTOR,CHIP 10K 1/16W(1608)
R540	1-218-716-11	s RESISTOR,CHIP 10K 1/16W(1608)
R541	1-218-716-11	s RESISTOR,CHIP 10K 1/16W(1608)
R542	1-218-716-11	s RESISTOR,CHIP 10K 1/16W(1608)
R543	1-218-716-11	s RESISTOR,CHIP 10K 1/16W(1608)
R544	1-218-716-11	s RESISTOR,CHIP 10K 1/16W(1608)
R545	1-218-720-11	s RESISTOR,CHIP 15K 1/16W(1608)
R546	1-218-720-11	s RESISTOR,CHIP 15K 1/16W(1608)
R547	1-218-723-11	s RESISTOR,CHIP 20K 1/16W(1608)
R548	1-218-718-11	s RESISTOR CHIP 12K 1/16W (1608)
R549	1-218-714-11	s RESISTOR,CHIP 8.2K 1/16W(1608)
R550	1-218-723-11	s RESISTOR,CHIP 20K 1/16W(1608)
R551	1-218-718-11	s RESISTOR CHIP 12K 1/16W (1608)
R552	1-218-714-11	s RESISTOR,CHIP 8.2K 1/16W(1608)
R553	1-218-693-11	s RESISTOR,CHIP 1.1K 1/16W(1608)
R554	1-218-693-11	s RESISTOR,CHIP 1.1K 1/16W(1608)
R555	1-218-682-11	s RESISTOR,CHIP 390 1/16W (1608)
R556	1-218-687-11	s RESISTOR CHIP 620 1/16W (1608)
R557	1-218-689-11	s RESISTOR CHIP 750 1/16W (1608)
R558	1-218-672-11	s RESISTOR,CHIP 150 1/16W(1608)
R559	1-218-682-11	s RESISTOR,CHIP 390 1/16W (1608)
R560	1-218-687-11	s RESISTOR CHIP 620 1/16W (1608)
R561	1-218-689-11	s RESISTOR CHIP 750 1/16W (1608)
R562	1-218-672-11	s RESISTOR,CHIP 150 1/16W(1608)
R563	1-218-367-11	s RESISTOR,METAL FILM CHIP 10K
R564	1-218-367-11	s RESISTOR,METAL FILM CHIP 10K
R565	1-218-367-11	s RESISTOR,METAL FILM CHIP 10K
R566	1-218-367-11	s RESISTOR,METAL FILM CHIP 10K
R567	1-211-998-11	s RESISTOR, METAL FILM CHIP 4.7K
R568	1-211-998-11	s RESISTOR, METAL FILM CHIP 4.7K
R569	1-211-998-11	s RESISTOR, METAL FILM CHIP 4.7K
R570	1-211-998-11	s RESISTOR, METAL FILM CHIP 4.7K
R571	1-211-998-11	s RESISTOR, METAL FILM CHIP 4.7K
R572	1-211-998-11	s RESISTOR, METAL FILM CHIP 4.7K

Ref. No. or Q'ty	Part No.	SP Description
R573	1-211-998-11	s RESISTOR, METAL FILM CHIP 4.7K
R574	1-211-998-11	s RESISTOR, METAL FILM CHIP 4.7K
R575	1-218-367-11	s RESISTOR,METAL FILM CHIP 10K
R576	1-218-367-11	s RESISTOR,METAL FILM CHIP 10K
R577	1-218-367-11	s RESISTOR,METAL FILM CHIP 10K
R578	1-218-367-11	s RESISTOR,METAL FILM CHIP 10K
R579	1-218-692-11	s RESISTOR,CHIP 1.0K 1/16W(1608)
R580	1-218-367-11	s RESISTOR,METAL FILM CHIP 10K
R581	1-218-740-11	s RESISTOR,CHIP 100K 1/16W(1608)
R582	1-218-367-11	s RESISTOR,METAL FILM CHIP 10K
R583	1-218-692-11	s RESISTOR,CHIP 1.0K 1/16W(1608)
R584	1-218-740-11	s RESISTOR,CHIP 100K 1/16W(1608)
R585	1-218-692-11	s RESISTOR,CHIP 1.0K 1/16W(1608)
R586	1-218-367-11	s RESISTOR,METAL FILM CHIP 10K
R587	1-218-740-11	s RESISTOR,CHIP 100K 1/16W(1608)
R588	1-218-367-11	s RESISTOR,METAL FILM CHIP 10K
R589	1-218-692-11	s RESISTOR,CHIP 1.0K 1/16W(1608)
R590	1-218-740-11	s RESISTOR,CHIP 100K 1/16W(1608)
R591	1-218-660-91	s RESISTOR,CHIP 47 1/16W (1608)
R592	1-218-660-91	s RESISTOR,CHIP 47 1/16W (1608)
R593	1-218-660-91	s RESISTOR,CHIP 47 1/16W (1608)
R594	1-218-660-91	s RESISTOR,CHIP 47 1/16W (1608)
R595	1-218-740-11	s RESISTOR,CHIP 100K 1/16W(1608)
R596	1-218-740-11	s RESISTOR,CHIP 100K 1/16W(1608)
R597	1-218-740-11	s RESISTOR,CHIP 100K 1/16W(1608)
R598	1-218-740-11	s RESISTOR,CHIP 100K 1/16W(1608)
R599	1-242-834-11	s RESISTOR, METAL FILM CHIP 33
R600	1-242-834-11	s RESISTOR, METAL FILM CHIP 33
R601	1-218-716-11	s RESISTOR,CHIP 10K 1/16W(1608)
R602	1-218-716-11	s RESISTOR,CHIP 10K 1/16W(1608)
R603	1-242-834-11	s RESISTOR, METAL FILM CHIP 33
R604	1-242-834-11	s RESISTOR, METAL FILM CHIP 33
R605	1-218-716-11	s RESISTOR,CHIP 10K 1/16W(1608)
R606	1-218-716-11	s RESISTOR,CHIP 10K 1/16W(1608)
R607	1-242-834-11	s RESISTOR, METAL FILM CHIP 33
R608	1-242-834-11	s RESISTOR, METAL FILM CHIP 33
R609	1-218-716-11	s RESISTOR,CHIP 10K 1/16W(1608)
R610	1-218-716-11	s RESISTOR,CHIP 10K 1/16W(1608)
R611	1-242-834-11	s RESISTOR, METAL FILM CHIP 33
R612	1-242-834-11	s RESISTOR, METAL FILM CHIP 33
R613	1-218-716-11	s RESISTOR,CHIP 10K 1/16W(1608)
R614	1-218-716-11	s RESISTOR,CHIP 10K 1/16W(1608)
R615	1-218-680-11	s RESISTOR,CHIP 330 1/16W(1608)
R616	1-218-680-11	s RESISTOR,CHIP 330 1/16W(1608)
R617	1-218-692-11	s RESISTOR,CHIP 1.0K 1/16W(1608)
R618	1-218-692-11	s RESISTOR,CHIP 1.0K 1/16W(1608)
R620	1-218-660-91	s RESISTOR,CHIP 47 1/16W (1608)
R621	1-218-660-91	s RESISTOR,CHIP 47 1/16W (1608)
R622	1-218-660-91	s RESISTOR,CHIP 47 1/16W (1608)
R623	1-218-660-91	s RESISTOR,CHIP 47 1/16W (1608)
R626	1-218-731-11	s RESISTOR,METAL 43K 1/16
R627	1-218-721-11	s RESISTOR,CHIP 16K 1/16W(1608)
R628	1-218-711-11	s RESISTOR,METAL 6.2K 1/16W
R630	1-218-731-11	s RESISTOR,METAL 43K 1/16
R631	1-218-721-11	s RESISTOR,CHIP 16K 1/16W(1608)
R632	1-218-695-11	s RESISTOR,CHIP 1.3K 1/16W(1608)
R633	1-218-711-11	s RESISTOR,METAL 6.2K 1/16W
R634	1-218-695-11	s RESISTOR,CHIP 1.3K 1/16W(1608)
R640	1-216-857-11	s RESISTOR, CHIP 1.0M 1/16W 1608

(APR-1BA BOARD for DVW-A510P/CA510P, suffix 16 or higher )

(APR-1BA BOARD for DVW-A510P/CA510P, suffix 16 or higher )

Ref. No. or Q'ty	Part No.	SP	Description
R641	1-216-857-11	s	RESISTOR, CHIP 1.0M 1/16W 1608
R701	1-218-716-11	s	RESISTOR,CHIP 10K 1/16W(1608)
R703	1-218-716-11	s	RESISTOR,CHIP 10K 1/16W(1608)
R704	1-218-716-11	s	RESISTOR,CHIP 10K 1/16W(1608)
R705	1-216-857-11	s	RESISTOR, CHIP 1.0M 1/16W 1608
R706	1-216-857-11	s	RESISTOR, CHIP 1.0M 1/16W 1608
R707	1-218-700-11	s	RESISTOR,CHIP 2.2K 1/16W(1608)
R708	1-218-700-11	s	RESISTOR,CHIP 2.2K 1/16W(1608)
R709	1-218-679-91	s	RESISTOR, METAL FILM 300 1/16W
R710	1-218-679-91	s	RESISTOR, METAL FILM 300 1/16W
R711	1-218-717-11	s	RESISTOR,CHIP 11K 1/16W (1608)
R712	1-218-717-11	s	RESISTOR,CHIP 11K 1/16W (1608)
R713	1-218-724-11	s	RESISTOR,CHIP 22K 1/16W(1608)
R714	1-218-724-11	s	RESISTOR,CHIP 22K 1/16W(1608)
R715	1-218-696-11	s	RESISTOR,CHIP 1.5K 1/16W(1608)
R716	1-218-696-11	s	RESISTOR,CHIP 1.5K 1/16W(1608)
R717	1-218-696-11	s	RESISTOR,CHIP 1.5K 1/16W(1608)
R718	1-218-696-11	s	RESISTOR,CHIP 1.5K 1/16W(1608)
R719	1-218-720-11	s	RESISTOR,CHIP 15K 1/16W(1608)
R720	1-218-720-11	s	RESISTOR,CHIP 15K 1/16W(1608)
R721	1-218-720-11	s	RESISTOR,CHIP 15K 1/16W(1608)
R722	1-218-720-11	s	RESISTOR,CHIP 15K 1/16W(1608)
R723	1-218-692-11	s	RESISTOR,CHIP 1.0K 1/16W(1608)
R724	1-218-692-11	s	RESISTOR,CHIP 1.0K 1/16W(1608)
R725	1-218-738-11	s	RESISTOR,CHIP 82K 1/16W(1608)
R726	1-218-738-11	s	RESISTOR,CHIP 82K 1/16W(1608)
R727	1-218-700-11	s	RESISTOR,CHIP 2.2K 1/16W(1608)
R728	1-218-700-11	s	RESISTOR,CHIP 2.2K 1/16W(1608)
R733	1-218-724-11	s	RESISTOR,CHIP 22K 1/16W(1608)
R734	1-218-724-11	s	RESISTOR,CHIP 22K 1/16W(1608)
R735	1-218-692-11	s	RESISTOR,CHIP 1.0K 1/16W(1608)
R736	1-218-706-11	s	RESISTOR,CHIP 3.9K 1/16W(1608)
R737	1-218-692-11	s	RESISTOR,CHIP 1.0K 1/16W(1608)
R738	1-218-706-11	s	RESISTOR,CHIP 3.9K 1/16W(1608)
R739	1-218-716-11	s	RESISTOR,CHIP 10K 1/16W(1608)
R740	1-218-716-11	s	RESISTOR,CHIP 10K 1/16W(1608)
R741	1-218-716-11	s	RESISTOR,CHIP 10K 1/16W(1608)
R742	1-218-716-11	s	RESISTOR,CHIP 10K 1/16W(1608)
R743	1-218-716-11	s	RESISTOR,CHIP 10K 1/16W(1608)
R744	1-218-716-11	s	RESISTOR,CHIP 10K 1/16W(1608)
R745	1-218-720-11	s	RESISTOR,CHIP 15K 1/16W(1608)
R746	1-218-720-11	s	RESISTOR,CHIP 15K 1/16W(1608)
R747	1-218-723-11	s	RESISTOR,CHIP 20K 1/16W(1608)
R748	1-218-718-11	s	RESISTOR CHIP 12K 1/16W (1608)
R749	1-218-714-11	s	RESISTOR,CHIP 8.2K 1/16W(1608)
R750	1-218-723-11	s	RESISTOR,CHIP 20K 1/16W(1608)
R751	1-218-718-11	s	RESISTOR CHIP 12K 1/16W (1608)
R752	1-218-714-11	s	RESISTOR,CHIP 8.2K 1/16W(1608)
R753	1-218-693-11	s	RESISTOR,CHIP 1.1K 1/16W(1608)
R754	1-218-693-11	s	RESISTOR,CHIP 1.1K 1/16W(1608)
R755	1-218-682-11	s	RESISTOR,CHIP 390 1/16W (1608)
R756	1-218-687-11	s	RESISTOR CHIP 620 1/16W (1608)
R757	1-218-689-11	s	RESISTOR CHIP 750 1/16W (1608)
R758	1-218-672-11	s	RESISTOR,CHIP 150 1/16W(1608)
R759	1-218-682-11	s	RESISTOR,CHIP 390 1/16W (1608)
R760	1-218-687-11	s	RESISTOR CHIP 620 1/16W (1608)
R761	1-218-689-11	s	RESISTOR CHIP 750 1/16W (1608)
R762	1-218-672-11	s	RESISTOR,CHIP 150 1/16W(1608)
R763	1-218-367-11	s	RESISTOR,METAL FILM CHIP 10K

Ref. No. or Q'ty	Part No.	SP	Description
R764	1-218-367-11	s	RESISTOR,METAL FILM CHIP 10K
R765	1-218-367-11	s	RESISTOR,METAL FILM CHIP 10K
R766	1-218-367-11	s	RESISTOR,METAL FILM CHIP 10K
R767	1-211-998-11	s	RESISTOR, METAL FILM CHIP 4.7K
R768	1-211-998-11	s	RESISTOR, METAL FILM CHIP 4.7K
R769	1-211-998-11	s	RESISTOR, METAL FILM CHIP 4.7K
R770	1-211-998-11	s	RESISTOR, METAL FILM CHIP 4.7K
R771	1-211-998-11	s	RESISTOR, METAL FILM CHIP 4.7K
R772	1-211-998-11	s	RESISTOR, METAL FILM CHIP 4.7K
R773	1-211-998-11	s	RESISTOR, METAL FILM CHIP 4.7K
R774	1-211-998-11	s	RESISTOR, METAL FILM CHIP 4.7K
R775	1-218-367-11	s	RESISTOR,METAL FILM CHIP 10K
R776	1-218-367-11	s	RESISTOR,METAL FILM CHIP 10K
R777	1-218-367-11	s	RESISTOR,METAL FILM CHIP 10K
R778	1-218-367-11	s	RESISTOR,METAL FILM CHIP 10K
R779	1-218-692-11	s	RESISTOR,CHIP 1.0K 1/16W(1608)
R780	1-218-367-11	s	RESISTOR,METAL FILM CHIP 10K
R781	1-218-740-11	s	RESISTOR,CHIP 100K 1/16W(1608)
R782	1-218-367-11	s	RESISTOR,METAL FILM CHIP 10K
R783	1-218-692-11	s	RESISTOR,CHIP 1.0K 1/16W(1608)
R784	1-218-740-11	s	RESISTOR,CHIP 100K 1/16W(1608)
R785	1-218-692-11	s	RESISTOR,CHIP 1.0K 1/16W(1608)
R786	1-218-367-11	s	RESISTOR,METAL FILM CHIP 10K
R787	1-218-740-11	s	RESISTOR,CHIP 100K 1/16W(1608)
R788	1-218-367-11	s	RESISTOR,METAL FILM CHIP 10K
R789	1-218-692-11	s	RESISTOR,CHIP 1.0K 1/16W(1608)
R790	1-218-740-11	s	RESISTOR,CHIP 100K 1/16W(1608)
R791	1-218-660-91	s	RESISTOR,CHIP 47 1/16W (1608)
R792	1-218-660-91	s	RESISTOR,CHIP 47 1/16W (1608)
R793	1-218-660-91	s	RESISTOR,CHIP 47 1/16W (1608)
R794	1-218-660-91	s	RESISTOR,CHIP 47 1/16W (1608)
R795	1-218-740-11	s	RESISTOR,CHIP 100K 1/16W(1608)
R796	1-218-740-11	s	RESISTOR,CHIP 100K 1/16W(1608)
R797	1-218-740-11	s	RESISTOR,CHIP 100K 1/16W(1608)
R798	1-218-740-11	s	RESISTOR,CHIP 100K 1/16W(1608)
R799	1-242-834-11	s	RESISTOR, METAL FILM CHIP 33
R800	1-242-834-11	s	RESISTOR, METAL FILM CHIP 33
R801	1-218-716-11	s	RESISTOR,CHIP 10K 1/16W(1608)
R802	1-218-716-11	s	RESISTOR,CHIP 10K 1/16W(1608)
R803	1-242-834-11	s	RESISTOR, METAL FILM CHIP 33
R804	1-242-834-11	s	RESISTOR, METAL FILM CHIP 33
R805	1-218-716-11	s	RESISTOR,CHIP 10K 1/16W(1608)
R806	1-218-716-11	s	RESISTOR,CHIP 10K 1/16W(1608)
R807	1-242-834-11	s	RESISTOR, METAL FILM CHIP 33
R808	1-242-834-11	s	RESISTOR, METAL FILM CHIP 33
R809	1-218-716-11	s	RESISTOR,CHIP 10K 1/16W(1608)
R810	1-218-716-11	s	RESISTOR,CHIP 10K 1/16W(1608)
R811	1-242-834-11	s	RESISTOR, METAL FILM CHIP 33
R812	1-242-834-11	s	RESISTOR, METAL FILM CHIP 33
R813	1-218-716-11	s	RESISTOR,CHIP 10K 1/16W(1608)
R814	1-218-716-11	s	RESISTOR,CHIP 10K 1/16W(1608)
R815	1-218-680-11	s	RESISTOR,CHIP 330 1/16W(1608)
R816	1-218-680-11	s	RESISTOR,CHIP 330 1/16W(1608)
R817	1-218-692-11	s	RESISTOR,CHIP 1.0K 1/16W(1608)
R818	1-218-692-11	s	RESISTOR,CHIP 1.0K 1/16W(1608)
R820	1-218-660-91	s	RESISTOR,CHIP 47 1/16W (1608)
R821	1-218-660-91	s	RESISTOR,CHIP 47 1/16W (1608)
R822	1-218-660-91	s	RESISTOR,CHIP 47 1/16W (1608)
R823	1-218-660-91	s	RESISTOR,CHIP 47 1/16W (1608)

(APR-1BA BOARD for DVW-A510P/CA510P, suffix 16 or higher )

(APR-1BA BOARD for DVW-A510P/CA510P, suffix 16 or higher )

Ref. No. or Q'ty	Part No.	SP Description
R826	1-218-731-11	s RESISTOR,METAL 43K 1/16
R827	1-218-721-11	s RESISTOR,CHIP 16K 1/16W(1608)
R828	1-218-711-11	s RESISTOR,METAL 6.2K 1/16W
R830	1-218-731-11	s RESISTOR,METAL 43K 1/16
R831	1-218-721-11	s RESISTOR,CHIP 16K 1/16W(1608)
R832	1-218-695-11	s RESISTOR,CHIP 1.3K 1/16W(1608)
R833	1-218-711-11	s RESISTOR,METAL 6.2K 1/16W
R834	1-218-695-11	s RESISTOR,CHIP 1.3K 1/16W(1608)
R840	1-216-857-11	s RESISTOR, CHIP 1.0M 1/16W 1608
R841	1-216-857-11	s RESISTOR, CHIP 1.0M 1/16W 1608
R903	1-218-696-11	s RESISTOR,CHIP 1.5K 1/16W(1608)
R904	1-218-716-11	s RESISTOR,CHIP 10K 1/16W(1608)
R905	1-218-685-11	s RESISTOR, METAL FILM 510 1/16W
R907	1-218-716-11	s RESISTOR,CHIP 10K 1/16W(1608)
R908	1-218-716-11	s RESISTOR,CHIP 10K 1/16W(1608)
R909	1-216-857-11	s RESISTOR, CHIP 1.0M 1/16W 1608
R910	1-216-857-11	s RESISTOR, CHIP 1.0M 1/16W 1608
R911	1-218-708-11	s RESISTOR,CHIP 4.7K 1/16W(1608)
R912	1-218-708-11	s RESISTOR,CHIP 4.7K 1/16W(1608)
R913	1-218-679-91	s RESISTOR, METAL FILM 300 1/16W
R914	1-218-679-91	s RESISTOR, METAL FILM 300 1/16W
R915	1-218-660-91	s RESISTOR,CHIP 47 1/16W (1608)
R916	1-218-660-91	s RESISTOR,CHIP 47 1/16W (1608)
R917	1-218-717-11	s RESISTOR,CHIP 11K 1/16W (1608)
R918	1-218-717-11	s RESISTOR,CHIP 11K 1/16W (1608)
R919	1-218-724-11	s RESISTOR,CHIP 22K 1/16W(1608)
R920	1-218-724-11	s RESISTOR,CHIP 22K 1/16W(1608)
R921	1-218-696-11	s RESISTOR,CHIP 1.5K 1/16W(1608)
R922	1-218-696-11	s RESISTOR,CHIP 1.5K 1/16W(1608)
R923	1-218-660-91	s RESISTOR,CHIP 47 1/16W (1608)
R924	1-218-696-11	s RESISTOR,CHIP 1.5K 1/16W(1608)
R925	1-218-696-11	s RESISTOR,CHIP 1.5K 1/16W(1608)
R926	1-218-660-91	s RESISTOR,CHIP 47 1/16W (1608)
R927	1-218-720-11	s RESISTOR,CHIP 15K 1/16W(1608)
R928	1-218-720-11	s RESISTOR,CHIP 15K 1/16W(1608)
R929	1-218-720-11	s RESISTOR,CHIP 15K 1/16W(1608)
R930	1-218-720-11	s RESISTOR,CHIP 15K 1/16W(1608)
R931	1-218-692-11	s RESISTOR,CHIP 1.0K 1/16W(1608)
R932	1-218-692-11	s RESISTOR,CHIP 1.0K 1/16W(1608)
R933	1-218-738-11	s RESISTOR,CHIP 82K 1/16W(1608)
R934	1-218-738-11	s RESISTOR,CHIP 82K 1/16W(1608)
R935	1-218-700-11	s RESISTOR,CHIP 2.2K 1/16W(1608)
R936	1-218-700-11	s RESISTOR,CHIP 2.2K 1/16W(1608)
R941	1-218-724-11	s RESISTOR,CHIP 22K 1/16W(1608)
R942	1-218-724-11	s RESISTOR,CHIP 22K 1/16W(1608)
R943	1-218-692-11	s RESISTOR,CHIP 1.0K 1/16W(1608)
R944	1-218-706-11	s RESISTOR,CHIP 3.9K 1/16W(1608)
R945	1-218-692-11	s RESISTOR,CHIP 1.0K 1/16W(1608)
R946	1-218-706-11	s RESISTOR,CHIP 3.9K 1/16W(1608)
R947	1-218-716-11	s RESISTOR,CHIP 10K 1/16W(1608)
R948	1-218-716-11	s RESISTOR,CHIP 10K 1/16W(1608)
R949	1-218-716-11	s RESISTOR,CHIP 10K 1/16W(1608)
R950	1-218-716-11	s RESISTOR,CHIP 10K 1/16W(1608)
R951	1-218-716-11	s RESISTOR,CHIP 10K 1/16W(1608)
R952	1-218-716-11	s RESISTOR,CHIP 10K 1/16W(1608)
R953	1-218-716-11	s RESISTOR,CHIP 10K 1/16W(1608)
R954	1-218-716-11	s RESISTOR,CHIP 10K 1/16W(1608)
R955	1-218-716-11	s RESISTOR,CHIP 10K 1/16W(1608)
R956	1-218-716-11	s RESISTOR,CHIP 10K 1/16W(1608)

Ref. No. or Q'ty	Part No.	SP Description
R957	1-216-857-11	s RESISTOR, CHIP 1.0M 1/16W 1608
R958	1-216-857-11	s RESISTOR, CHIP 1.0M 1/16W 1608
R959	1-218-716-11	s RESISTOR,CHIP 10K 1/16W(1608)
R960	1-218-716-11	s RESISTOR,CHIP 10K 1/16W(1608)
R961	1-218-716-11	s RESISTOR,CHIP 10K 1/16W(1608)
R962	1-218-716-11	s RESISTOR,CHIP 10K 1/16W(1608)
R963	1-218-720-11	s RESISTOR,CHIP 15K 1/16W(1608)
R964	1-218-720-11	s RESISTOR,CHIP 15K 1/16W(1608)
R965	1-218-723-11	s RESISTOR,CHIP 20K 1/16W(1608)
R966	1-218-718-11	s RESISTOR CHIP 12K 1/16W (1608)
R967	1-218-714-11	s RESISTOR,CHIP 8.2K 1/16W(1608)
R968	1-218-723-11	s RESISTOR,CHIP 20K 1/16W(1608)
R969	1-218-718-11	s RESISTOR,CHIP 12K 1/16W (1608)
R970	1-218-714-11	s RESISTOR,CHIP 8.2K 1/16W(1608)
R971	1-218-693-11	s RESISTOR,CHIP 1.1K 1/16W(1608)
R972	1-218-693-11	s RESISTOR,CHIP 1.1K 1/16W(1608)
R973	1-218-682-11	s RESISTOR,CHIP 390 1/16W (1608)
R974	1-218-687-11	s RESISTOR CHIP 620 1/16W (1608)
R975	1-218-689-11	s RESISTOR CHIP 750 1/16W (1608)
R976	1-218-672-11	s RESISTOR,CHIP 150 1/16W(1608)
R977	1-218-682-11	s RESISTOR,CHIP 390 1/16W (1608)
R978	1-218-687-11	s RESISTOR CHIP 620 1/16W (1608)
R979	1-218-689-11	s RESISTOR CHIP 750 1/16W (1608)
R980	1-218-672-11	s RESISTOR,CHIP 150 1/16W(1608)
R981	1-218-367-11	s RESISTOR,METAL FILM CHIP 10K
R982	1-218-367-11	s RESISTOR,METAL FILM CHIP 10K
R983	1-218-367-11	s RESISTOR,METAL FILM CHIP 10K
R984	1-218-367-11	s RESISTOR,METAL FILM CHIP 10K
R985	1-211-998-11	s RESISTOR, METAL FILM CHIP 4.7K
R986	1-211-998-11	s RESISTOR, METAL FILM CHIP 4.7K
R987	1-211-998-11	s RESISTOR, METAL FILM CHIP 4.7K
R988	1-211-998-11	s RESISTOR, METAL FILM CHIP 4.7K
R989	1-211-998-11	s RESISTOR, METAL FILM CHIP 4.7K
R990	1-211-998-11	s RESISTOR, METAL FILM CHIP 4.7K
R991	1-211-998-11	s RESISTOR, METAL FILM CHIP 4.7K
R992	1-211-998-11	s RESISTOR, METAL FILM CHIP 4.7K
R993	1-218-367-11	s RESISTOR,METAL FILM CHIP 10K
R994	1-218-367-11	s RESISTOR,METAL FILM CHIP 10K
R995	1-218-367-11	s RESISTOR,METAL FILM CHIP 10K
R996	1-218-367-11	s RESISTOR,METAL FILM CHIP 10K
R997	1-218-692-11	s RESISTOR,CHIP 1.0K 1/16W(1608)
R998	1-218-367-11	s RESISTOR,METAL FILM CHIP 10K
R999	1-218-740-11	s RESISTOR,CHIP 100K 1/16W(1608)
R1000	1-218-367-11	s RESISTOR,METAL FILM CHIP 10K
R1001	1-218-692-11	s RESISTOR,CHIP 1.0K 1/16W(1608)
R1002	1-218-740-11	s RESISTOR,CHIP 100K 1/16W(1608)
R1003	1-218-692-11	s RESISTOR,CHIP 1.0K 1/16W(1608)
R1004	1-218-367-11	s RESISTOR,METAL FILM CHIP 10K
R1005	1-218-740-11	s RESISTOR,CHIP 100K 1/16W(1608)
R1006	1-218-367-11	s RESISTOR,METAL FILM CHIP 10K
R1007	1-218-692-11	s RESISTOR,CHIP 1.0K 1/16W(1608)
R1008	1-218-740-11	s RESISTOR,CHIP 100K 1/16W(1608)
R1009	1-218-660-91	s RESISTOR,CHIP 47 1/16W (1608)
R1010	1-218-660-91	s RESISTOR,CHIP 47 1/16W (1608)
R1011	1-218-660-91	s RESISTOR,CHIP 47 1/16W (1608)
R1012	1-218-660-91	s RESISTOR,CHIP 47 1/16W (1608)
R1013	1-218-740-11	s RESISTOR,CHIP 100K 1/16W(1608)
R1014	1-218-740-11	s RESISTOR,CHIP 100K 1/16W(1608)
R1015	1-218-740-11	s RESISTOR,CHIP 100K 1/16W(1608)

(APR-1BA BOARD for DVW-A510P/CA510P, suffix 16 or higher )

(APR-1BA BOARD for DVW-A510P/CA510P, suffix 16 or higher )

Ref. No. or Q'ty	Part No.	SP	Description
R1016	1-218-740-11	s	RESISTOR,CHIP 100K 1/16W(1608)
R1017	1-242-834-11	s	RESISTOR, METAL FILM CHIP 33
R1018	1-242-834-11	s	RESISTOR, METAL FILM CHIP 33
R1019	1-218-716-11	s	RESISTOR,CHIP 10K 1/16W(1608)
R1020	1-218-716-11	s	RESISTOR,CHIP 10K 1/16W(1608)
R1021	1-242-834-11	s	RESISTOR, METAL FILM CHIP 33
R1022	1-242-834-11	s	RESISTOR, METAL FILM CHIP 33
R1023	1-218-716-11	s	RESISTOR,CHIP 10K 1/16W(1608)
R1024	1-242-834-11	s	RESISTOR, METAL FILM CHIP 33
R1025	1-242-834-11	s	RESISTOR, METAL FILM CHIP 33
R1026	1-218-716-11	s	RESISTOR,CHIP 10K 1/16W(1608)
R1027	1-218-716-11	s	RESISTOR,CHIP 10K 1/16W(1608)
R1028	1-242-834-11	s	RESISTOR, METAL FILM CHIP 33
R1029	1-242-834-11	s	RESISTOR, METAL FILM CHIP 33
R1030	1-218-716-11	s	RESISTOR,CHIP 10K 1/16W(1608)
R1031	1-218-716-11	s	RESISTOR,CHIP 10K 1/16W(1608)
R1032	1-218-716-11	s	RESISTOR,CHIP 10K 1/16W(1608)
R1033	1-218-680-11	s	RESISTOR,CHIP 330 1/16W(1608)
R1034	1-218-680-11	s	RESISTOR,CHIP 330 1/16W(1608)
R1035	1-218-708-11	s	RESISTOR,CHIP 4.7K 1/16W(1608)
R1036	1-218-708-11	s	RESISTOR,CHIP 4.7K 1/16W(1608)
R1040	1-216-857-11	s	RESISTOR, CHIP 1.0M 1/16W 1608
R1041	1-216-857-11	s	RESISTOR, CHIP 1.0M 1/16W 1608
R1047	1-218-660-91	s	RESISTOR,CHIP 47 1/16W (1608)
R1048	1-218-731-11	s	RESISTOR,METAL 43K 1/16
R1049	1-218-721-11	s	RESISTOR,CHIP 16K 1/16W(1608)
R1050	1-218-711-11	s	RESISTOR,METAL 6.2K 1/16W
R1051	1-218-731-11	s	RESISTOR,METAL 43K 1/16
R1052	1-218-721-11	s	RESISTOR,CHIP 16K 1/16W(1608)
R1053	1-218-695-11	s	RESISTOR,CHIP 1.3K 1/16W(1608)
R1054	1-218-716-11	s	RESISTOR,CHIP 10K 1/16W(1608)
R1055	1-218-716-11	s	RESISTOR,CHIP 10K 1/16W(1608)
R1056	1-218-717-11	s	RESISTOR,CHIP 11K 1/16W (1608)
R1057	1-218-696-11	s	RESISTOR,CHIP 1.5K 1/16W(1608)
R1058	1-218-716-11	s	RESISTOR,CHIP 10K 1/16W(1608)
R1059	1-218-716-11	s	RESISTOR,CHIP 10K 1/16W(1608)
R1060	1-218-696-11	s	RESISTOR,CHIP 1.5K 1/16W(1608)
R1061	1-218-717-11	s	RESISTOR,CHIP 11K 1/16W (1608)
R1064	1-218-711-11	s	RESISTOR,METAL 6.2K 1/16W
R1065	1-218-695-11	s	RESISTOR,CHIP 1.3K 1/16W(1608)
R1072	1-218-728-11	s	RESISTOR,METAL 33K 1/16W
R1073	1-218-728-11	s	RESISTOR,METAL 33K 1/16W
R1074	1-218-716-11	s	RESISTOR,CHIP 10K 1/16W(1608)
R1075	1-218-716-11	s	RESISTOR,CHIP 10K 1/16W(1608)
R1076	1-218-692-11	s	RESISTOR,CHIP 1.0K 1/16W(1608)
R1077	1-218-692-11	s	RESISTOR,CHIP 1.0K 1/16W(1608)
R1078	1-218-716-11	s	RESISTOR,CHIP 10K 1/16W(1608)
R1079	1-218-716-11	s	RESISTOR,CHIP 10K 1/16W(1608)
R1200	1-218-652-11	s	RESISTOR,CHIP 22 1/16W (1608)
R1201	1-218-652-11	s	RESISTOR,CHIP 22 1/16W (1608)
R1202	1-218-652-11	s	RESISTOR,CHIP 22 1/16W (1608)
R1203	1-218-652-11	s	RESISTOR,CHIP 22 1/16W (1608)
R1204	1-218-652-11	s	RESISTOR,CHIP 22 1/16W (1608)
R1205	1-218-652-11	s	RESISTOR,CHIP 22 1/16W (1608)
R1206	1-218-652-11	s	RESISTOR,CHIP 22 1/16W (1608)
R1207	1-218-652-11	s	RESISTOR,CHIP 22 1/16W (1608)
R1208	1-218-652-11	s	RESISTOR,CHIP 22 1/16W (1608)
R1209	1-218-652-11	s	RESISTOR,CHIP 22 1/16W (1608)
R1210	1-218-652-11	s	RESISTOR,CHIP 22 1/16W (1608)

Ref. No. or Q'ty	Part No.	SP	Description
R1211	1-218-652-11	s	RESISTOR,CHIP 22 1/16W (1608)
R1212	1-218-652-11	s	RESISTOR,CHIP 22 1/16W (1608)
R1213	1-218-652-11	s	RESISTOR,CHIP 22 1/16W (1608)
R1214	1-218-652-11	s	RESISTOR,CHIP 22 1/16W (1608)
R1215	1-218-652-11	s	RESISTOR,CHIP 22 1/16W (1608)
R1300	1-216-033-00	s	RESISTOR,CHIP 220 1/10W(2012)
R1301	1-216-033-00	s	RESISTOR,CHIP 220 1/10W(2012)
R1306	1-216-033-00	s	RESISTOR,CHIP 220 1/10W(2012)
R1308	1-216-033-00	s	RESISTOR,CHIP 220 1/10W(2012)
R1310	1-216-033-00	s	RESISTOR,CHIP 220 1/10W(2012)
R1311	1-216-033-00	s	RESISTOR,CHIP 220 1/10W(2012)
R1312	1-216-033-00	s	RESISTOR,CHIP 220 1/10W(2012)
R1313	1-216-033-00	s	RESISTOR,CHIP 220 1/10W(2012)
R1314	1-216-033-00	s	RESISTOR,CHIP 220 1/10W(2012)
R1317	1-216-033-00	s	RESISTOR,CHIP 220 1/10W(2012)
R1319	1-216-033-00	s	RESISTOR,CHIP 220 1/10W(2012)
R1320	1-216-033-00	s	RESISTOR,CHIP 220 1/10W(2012)
R1321	1-218-660-91	s	RESISTOR,CHIP 47 1/16W (1608)
R1322	1-218-660-91	s	RESISTOR,CHIP 47 1/16W (1608)
R1323	1-218-660-91	s	RESISTOR,CHIP 47 1/16W (1608)
R1324	1-218-716-11	s	RESISTOR,CHIP 10K 1/16W(1608)
R1325	1-218-716-11	s	RESISTOR,CHIP 10K 1/16W(1608)
R1416	1-218-716-11	s	RESISTOR,CHIP 10K 1/16W(1608)
R1417	1-218-716-11	s	RESISTOR,CHIP 10K 1/16W(1608)
R1418	1-218-716-11	s	RESISTOR,CHIP 10K 1/16W(1608)
R1530	1-242-834-11	s	RESISTOR, METAL FILM CHIP 33
R1531	1-242-834-11	s	RESISTOR, METAL FILM CHIP 33
R1532	1-242-834-11	s	RESISTOR, METAL FILM CHIP 33
R1533	1-242-834-11	s	RESISTOR, METAL FILM CHIP 33
R1540	1-242-834-11	s	RESISTOR, METAL FILM CHIP 33
R1541	1-242-834-11	s	RESISTOR, METAL FILM CHIP 33
R1542	1-242-834-11	s	RESISTOR, METAL FILM CHIP 33
R1543	1-242-834-11	s	RESISTOR, METAL FILM CHIP 33
R1550	1-242-834-11	s	RESISTOR, METAL FILM CHIP 33
R1551	1-242-834-11	s	RESISTOR, METAL FILM CHIP 33
R1552	1-242-834-11	s	RESISTOR, METAL FILM CHIP 33
R1553	1-242-834-11	s	RESISTOR, METAL FILM CHIP 33
RB51	1-239-308-11	s	RESISTOR ARRAY,CHIP 47K
RB53	1-239-306-11	s	RESISTOR ARRAY,CHIP 10K
RB54	1-239-306-11	s	RESISTOR ARRAY,CHIP 10K
RB55	1-239-306-11	s	RESISTOR ARRAY,CHIP 10K
RB1590	1-239-306-11	s	RESISTOR ARRAY,CHIP 10K
RB1591	1-239-306-11	s	RESISTOR ARRAY,CHIP 10K
RV103	1-237-037-11	s	RESISTOR,ADJ,CERMET 20K
RV203	1-237-037-11	s	RESISTOR,ADJ,CERMET 20K
RV303	1-237-037-11	s	RESISTOR,ADJ,CERMET 20K
RV403	1-237-037-11	s	RESISTOR,ADJ,CERMET 20K
RV500	1-237-036-11	s	RESISTOR, ADJ,CERMET 10K
RV501	1-237-036-11	s	RESISTOR, ADJ,CERMET 10K
RV700	1-237-036-11	s	RESISTOR, ADJ,CERMET 10K
RV701	1-237-036-11	s	RESISTOR, ADJ,CERMET 10K
RV900	1-237-036-11	s	RESISTOR, ADJ,CERMET 10K
RV901	1-237-036-11	s	RESISTOR, ADJ,CERMET 10K
RV902	1-237-036-11	s	RESISTOR, ADJ,CERMET 10K
RV903	1-237-036-11	s	RESISTOR, ADJ,CERMET 10K
RY502	1-755-380-21	s	RELAY
RY503	1-755-380-21	s	RELAY

(APR-1BA BOARD for DVW-A510P/CA510P, suffix 16 or higher )

Ref. No. or Q'ty	Part No.	SP Description
RY702	1-755-380-21	s RELAY
RY703	1-755-380-21	s RELAY
RY902	1-755-380-21	s RELAY
RY903	1-755-380-21	s RELAY
S1511	1-692-881-41	s SWITCH, SLIDE
S1513	1-692-881-41	s SWITCH, SLIDE
S1521	1-692-881-41	s SWITCH, SLIDE
S1523	1-692-881-41	s SWITCH, SLIDE
S1530	1-692-881-41	s SWITCH, SLIDE
S1531	1-692-270-41	s SWITCH, SLIDE
S1532	1-692-881-41	s SWITCH, SLIDE
S1533	1-692-270-41	s SWITCH, SLIDE
S1540	1-692-881-41	s SWITCH, SLIDE
S1541	1-692-270-41	s SWITCH, SLIDE
S1542	1-692-881-41	s SWITCH, SLIDE
S1543	1-692-270-41	s SWITCH, SLIDE
S1550	1-692-881-41	s SWITCH, SLIDE
S1551	1-692-881-41	s SWITCH, SLIDE
S1552	1-692-270-41	s SWITCH, SLIDE
S1553	1-692-881-41	s SWITCH, SLIDE
S1554	1-692-881-41	s SWITCH, SLIDE
S1555	1-692-270-41	s SWITCH, SLIDE
X50	1-767-717-11	s VIBRATOR, CRYSTAL

-----  
APR-1BA BOARD for DVW-A510P/CA510P, suffix 21 through 23  
-----

Ref. No. or Q'ty	Part No.	SP Description
1pc	A-8275-392-A	o MOUNTED CIRCUIT BOARD, APR-1BAP
1pc	3-171-453-03	o PLATE (L), SHIELD, CARD
1pc	3-171-454-02	o SHEET (L), CARD
1pc	3-179-084-01	s LEVER (R), PC BOARD
1pc	3-179-085-01	s LEVER (L), PC BOARD
1pc	7-682-902-11	s SCREW +PWH 2.6x5
C52-55	1-163-033-00	s CERAMIC, CHIP 0.022uF 50V (2125)
C58	1-163-037-11	s CERAMIC, CHIP 0.022uF 10% 25V (2125)
C59	1-163-033-00	s CERAMIC, CHIP 0.022uF 50V (2125)
C60	1-126-233-11	s ELECT 22uF 20% 50V
C61	1-126-934-11	s ELECT 220uF 20% 16V
C62	1-126-933-11	s ELECT 100uF 20% 16V
C116	1-163-038-00	s CERAMIC, CHIP 0.1uF 25V (2125)
C117	1-137-368-11	s FILM 0.0047uF 5% 50V
C118	1-163-227-11	s CERAMIC, CHIP 10pF 5% 50V (2125)
C119	1-137-366-11	s FILM 0.0022uF 5% 50V
C120	1-137-368-11	s FILM 0.0047uF 5% 50V
C121	1-124-282-00	s ELECT, NONPOLAR 22uF 20% 25V
C122	1-163-251-11	s CERAMIC, CHIP 100pF 5% 50V (2125)
C125	1-126-964-11	s ELECT 10uF 20% 50V
C126	1-164-161-11	s CERAMIC, CHIP 2200pF 10% 100V (2125)
C127	1-164-222-11	s CERAMIC, CHIP 0.22uF 25V (2125)
C128	1-164-222-11	s CERAMIC, CHIP 0.22uF 25V (2125)
C129	1-163-235-11	s CERAMIC, CHIP 22pF 5% 50V (2125)
C130	1-126-964-11	s ELECT 10uF 20% 50V
C131-134	1-163-038-00	s CERAMIC, CHIP 0.1uF 25V (2125)
C135	1-163-251-11	s CERAMIC, CHIP 100pF 5% 50V (2125)
C136-138	1-126-964-11	s ELECT 10uF 20% 50V
C139	1-163-038-00	s CERAMIC, CHIP 0.1uF 25V (2125)
C140	1-163-038-00	s CERAMIC, CHIP 0.1uF 25V (2125)
C141	1-126-964-11	s ELECT 10uF 20% 50V
C143	1-163-251-11	s CERAMIC, CHIP 100pF 5% 50V (2125)
C146	1-163-251-11	s CERAMIC, CHIP 100pF 5% 50V (2125)
C147	1-163-251-11	s CERAMIC, CHIP 100pF 5% 50V (2125)
C216	1-163-038-00	s CERAMIC, CHIP 0.1uF 25V (2125)
C217	1-137-368-11	s FILM 0.0047uF 5% 50V
C218	1-163-227-11	s CERAMIC, CHIP 10pF 5% 50V (2125)
C219	1-137-366-11	s FILM 0.0022uF 5% 50V
C220	1-137-368-11	s FILM 0.0047uF 5% 50V
C221	1-124-282-00	s ELECT, NONPOLAR 22uF 20% 25V
C222	1-163-251-11	s CERAMIC, CHIP 100pF 5% 50V (2125)
C226	1-164-161-11	s CERAMIC, CHIP 2200pF 10% 100V (2125)
C227-229	1-163-235-11	s CERAMIC, CHIP 22pF 5% 50V (2125)
C243	1-163-251-11	s CERAMIC, CHIP 100pF 5% 50V (2125)
C246	1-163-251-11	s CERAMIC, CHIP 100pF 5% 50V (2125)
C247	1-163-251-11	s CERAMIC, CHIP 100pF 5% 50V (2125)
C316	1-163-038-00	s CERAMIC, CHIP 0.1uF 25V (2125)
C317	1-137-368-11	s FILM 0.0047uF 5% 50V
C318	1-163-227-11	s CERAMIC, CHIP 10pF 5% 50V (2125)
C319	1-137-366-11	s FILM 0.0022uF 5% 50V
C320	1-137-368-11	s FILM 0.0047uF 5% 50V
C321	1-124-282-00	s ELECT, NONPOLAR 22uF 20% 25V
C322	1-163-251-11	s CERAMIC, CHIP 100pF 5% 50V (2125)
C325	1-126-964-11	s ELECT 10uF 20% 50V
C326	1-164-161-11	s CERAMIC, CHIP 2200pF 10% 100V (2125)
C327	1-164-222-11	s CERAMIC, CHIP 0.22uF 25V (2125)



(APR-1BA BOARD for DVW-A510P/CA510P, suffix 21 through 23)

Ref. No. or Q'ty	Part No.	SP	Description
C328	1-164-222-11	s	CERAMIC, CHIP 0.22uF 25V (2125)
C329	1-163-235-11	s	CERAMIC, CHIP 22pF 5% 50V (2125)
C330	1-126-964-11	s	ELECT 10uF 20% 50V
C331-334	1-163-038-00	s	CERAMIC, CHIP 0.1uF 25V (2125)
C335	1-163-251-11	s	CERAMIC, CHIP 100pF 5% 50V (2125)
C336-338	1-126-964-11	s	ELECT 10uF 20% 50V
C339	1-163-038-00	s	CERAMIC, CHIP 0.1uF 25V (2125)
C340	1-163-038-00	s	CERAMIC, CHIP 0.1uF 25V (2125)
C341	1-126-964-11	s	ELECT 10uF 20% 50V
C343	1-163-251-11	s	CERAMIC, CHIP 100pF 5% 50V (2125)
C346	1-163-251-11	s	CERAMIC, CHIP 100pF 5% 50V (2125)
C347	1-163-251-11	s	CERAMIC, CHIP 100pF 5% 50V (2125)
C416	1-163-038-00	s	CERAMIC, CHIP 0.1uF 25V (2125)
C417	1-137-368-11	s	FILM 0.0047uF 5% 50V
C418	1-163-227-11	s	CERAMIC, CHIP 10pF 5% 50V (2125)
C419	1-137-366-11	s	FILM 0.0022uF 5% 50V
C420	1-137-368-11	s	FILM 0.0047uF 5% 50V
C421	1-124-282-00	s	ELECT, NONPOLAR 22uF 20% 25V
C422	1-163-251-11	s	CERAMIC, CHIP 100pF 5% 50V (2125)
C426	1-164-161-11	s	CERAMIC, CHIP 2200pF 10% 100V
C427-429	1-163-235-11	s	CERAMIC, CHIP 22pF 5% 50V (2125)
C443	1-163-251-11	s	CERAMIC, CHIP 100pF 5% 50V (2125)
C446	1-163-251-11	s	CERAMIC, CHIP 100pF 5% 50V (2125)
C447	1-163-251-11	s	CERAMIC, CHIP 100pF 5% 50V (2125)
C500	1-163-038-00	s	CERAMIC, CHIP 0.1uF 25V (2125)
C501	*5 1-126-947-11	s	ELECT 47uF 20% 35V
	*4 1-126-964-11	s	ELECT 10uF 20% 50V
C502	*5 1-126-233-11	s	ELECT 22uF 20% 50V
	*4 1-126-933-11	s	ELECT 100uF 20% 16V
C503	1-126-933-11	s	ELECT 100uF 20% 16V
C504	*5 1-124-282-00	s	ELECT, NONPOLAR 22uF 20% 25V
	*4 1-126-933-11	s	ELECT 100uF 20% 16V
C505	1-126-933-11	s	ELECT 100uF 20% 16V
C506	*5 1-124-282-00	s	ELECT, NONPOLAR 22uF 20% 25V
	*4 1-126-933-11	s	ELECT 100uF 20% 16V
C507	1-126-933-11	s	ELECT 100uF 20% 16V
C508	1-163-038-00	s	CERAMIC, CHIP 0.1uF 25V (2125)
C509	1-163-251-11	s	CERAMIC, CHIP 100pF 5% 50V
C510	1-163-251-11	s	CERAMIC, CHIP 100pF 5% 50V (2125)
C511	1-163-038-00	s	CERAMIC, CHIP 0.1uF 25V (2125)
C512	1-126-964-11	s	ELECT 10uF 20% 50V
C513	1-137-366-11	s	FILM 0.0022uF 5% 50V
C514	1-137-366-11	s	FILM 0.0022uF 5% 50V
C515	1-137-364-11	s	FILM 0.001uF 5% 50V
C516	1-137-364-11	s	FILM 0.001uF 5% 50V
C517	1-124-278-00	s	ELECT, NONPOLAR 10uF 20% 35V
C518	1-124-278-00	s	ELECT, NONPOLAR 10uF 20% 35V
C519	1-137-368-11	s	FILM 0.0047uF 5% 50V
C520	1-137-368-11	s	FILM 0.0047uF 5% 50V
C521	1-163-038-00	s	CERAMIC, CHIP 0.1uF 25V (2125)
C522	1-163-038-00	s	CERAMIC, CHIP 0.1uF 25V (2125)
C523	*5 1-126-933-11	s	ELECT 100uF 20% 16V
C524	*5 1-163-038-00	s	CERAMIC, CHIP 0.1uF 25V (2125)
C525-528	1-163-038-00	s	CERAMIC, CHIP 0.1uF 25V (2125)
C529	*5 1-163-038-00	s	CERAMIC, CHIP 0.1uF 25V (2125)

\*4: Board No. suffix 21 only

\*5: Board No. suffix 22 or higher

(APR-1BA BOARD for DVW-A510P/CA510P, suffix 21 through 23)

Ref. No. or Q'ty	Part No.	SP	Description
C530	1-126-964-11	s	ELECT 10uF 20% 50V
C531-534	1-124-282-00	s	ELECT, NONPOLAR 22uF 20% 25V
C535-538	1-163-235-11	s	CERAMIC, CHIP 22pF 5% 50V (2125)
C539-542	1-124-282-00	s	ELECT, NONPOLAR 22uF 20% 25V
C543-546	1-163-251-11	s	CERAMIC, CHIP 100pF 5% 50V (2125)
C547-550	1-124-282-00	s	ELECT, NONPOLAR 22uF 20% 25V
C551	1-137-364-11	s	FILM 0.001uF 5% 50V
C552	1-137-364-11	s	FILM 0.001uF 5% 50V
C553	1-126-933-11	s	ELECT 100uF 20% 16V
C554	1-126-933-11	s	ELECT 100uF 20% 16V
C555	1-126-947-11	s	ELECT 47uF 20% 35V
C556	1-126-947-11	s	ELECT 47uF 20% 35V
C557	1-163-033-00	s	CERAMIC, CHIP 0.022uF 50V (2125)
C558	1-163-033-00	s	CERAMIC, CHIP 0.022uF 50V (2125)
C559	1-126-947-11	s	ELECT 47uF 20% 35V
C560	1-126-947-11	s	ELECT 47uF 20% 35V
C561	1-163-033-00	s	CERAMIC, CHIP 0.022uF 50V (2125)
C562	1-163-033-00	s	CERAMIC, CHIP 0.022uF 50V (2125)
C563	1-163-227-11	s	CERAMIC, CHIP 10pF 5% 50V (2125)
C564	1-163-227-11	s	CERAMIC, CHIP 10pF 5% 50V (2125)
C565	*5 1-126-947-11	s	ELECT 47uF 20% 35V
C566	*5 1-126-933-11	s	ELECT 100uF 20% 16V
C567	*5 1-163-038-00	s	CERAMIC, CHIP 0.1uF 25V (2125)
C568	*5 1-126-233-11	s	ELECT 22uF 20% 50V
C569	*5 1-126-933-11	s	ELECT 100uF 20% 16V
C570	*5 1-163-038-00	s	CERAMIC, CHIP 0.1uF 25V (2125)
C571	*5 1-163-038-00	s	CERAMIC, CHIP 0.1uF 25V (2125)
C572	*5 1-126-964-11	s	ELECT 10uF 20% 50V
C573	*5 1-163-038-00	s	CERAMIC, CHIP 0.1uF 25V (2125)
C574	*5 1-126-964-11	s	ELECT 10uF 20% 50V
C700	1-163-038-00	s	CERAMIC, CHIP 0.1uF 25V (2125)
C701	*5 1-126-947-11	s	ELECT 47uF 20% 35V
	*4 1-126-964-11	s	ELECT 10uF 20% 50V
C702	*5 1-126-233-11	s	ELECT 22uF 20% 50V
	*4 1-126-933-11	s	ELECT 100uF 20% 16V
C703	1-126-933-11	s	ELECT 100uF 20% 16V
C704	*5 1-124-282-00	s	ELECT, NONPOLAR 22uF 20% 25V
	*4 1-126-933-11	s	ELECT 100uF 20% 16V
C705	1-126-933-11	s	ELECT 100uF 20% 16V
C706	*5 1-124-282-00	s	ELECT, NONPOLAR 22uF 20% 25V
	*4 1-126-933-11	s	ELECT 100uF 20% 16V
C707	1-126-933-11	s	ELECT 100uF 20% 16V
C708	1-163-038-00	s	CERAMIC, CHIP 0.1uF 25V (2125)
C709	1-163-251-11	s	CERAMIC, CHIP 100pF 5% 50V (2125)
C710	1-163-251-11	s	CERAMIC, CHIP 100pF 5% 50V (2125)
C711	1-163-038-00	s	CERAMIC, CHIP 0.1uF 25V (2125)
C712	1-126-964-11	s	ELECT 10uF 20% 50V
C713	1-137-366-11	s	FILM 0.0022uF 5% 50V
C714	1-137-366-11	s	FILM 0.0022uF 5% 50V
C715	1-137-364-11	s	FILM 0.001uF 5% 50V
C716	1-137-364-11	s	FILM 0.001uF 5% 50V
C717	1-124-278-00	s	ELECT, NONPOLAR 10uF 20% 35V
C718	1-124-278-00	s	ELECT, NONPOLAR 10uF 20% 35V
C719	1-137-368-11	s	FILM 0.0047uF 5% 50V
C720	1-137-368-11	s	FILM 0.0047uF 5% 50V

(APR-1BA BOARD for DVW-A510P/CA510P, suffix 21 through 23)

(APR-1BA BOARD for DVW-A510P/CA510P, suffix 21 through 23)

Ref. No. or Q'ty	Part No.	SP Description
C721	1-163-038-00	s CERAMIC, CHIP 0.1uF 25V (2125)
C722	1-163-038-00	s CERAMIC, CHIP 0.1uF 25V (2125)
C723	*5 1-126-933-11	s ELECT 100uF 20% 16V
C724	*5 1-163-038-00	s CERAMIC, CHIP 0.1uF 25V (2125)
C725-728	1-163-038-00	s CERAMIC, CHIP 0.1uF 25V (2125)
C729	*5 1-163-038-00	s CERAMIC, CHIP 0.1uF 25V (2125)
C730	*5 1-126-964-11	s ELECT 10uF 20% 50V
C731-734	1-124-282-00	s ELECT, NONPOLAR 22uF 20% 25V
C735-738	1-163-235-11	s CERAMIC, CHIP 22pF 5% 50V (2125)
C739-742	1-124-282-00	s ELECT, NONPOLAR 22uF 20% 25V
C743-746	1-163-251-11	s CERAMIC, CHIP 100pF 5% 50V (2125)
C747-750	1-124-282-00	s ELECT, NONPOLAR 22uF 20% 25V
C751	1-137-364-11	s FILM 0.001uF 5% 50V
C752	1-137-364-11	s FILM 0.001uF 5% 50V
C753	1-126-933-11	s ELECT 100uF 20% 16V
C754	1-126-933-11	s ELECT 100uF 20% 16V
C755	1-126-947-11	s ELECT 47uF 20% 35V
C756	1-126-947-11	s ELECT 47uF 20% 35V
C757	1-163-033-00	s CERAMIC, CHIP 0.022uF 50V (2125)
C758	1-163-033-00	s CERAMIC, CHIP 0.022uF 50V (2125)
C759	1-126-947-11	s ELECT 47uF 20% 35V
C760	1-126-947-11	s ELECT 47uF 20% 35V
C761	1-163-033-00	s CERAMIC, CHIP 0.022uF 50V (2125)
C762	1-163-033-00	s CERAMIC, CHIP 0.022uF 50V (2125)
C763	1-163-227-11	s CERAMIC, CHIP 10pF 5% 50V (2125)
C764	1-163-227-11	s CERAMIC, CHIP 10pF 5% 50V (2125)
C765	*5 1-126-947-11	s ELECT 47uF 20% 35V
C766	*5 1-126-933-11	s ELECT 100uF 20% 16V
C767	*5 1-163-038-00	s CERAMIC, CHIP 0.1uF 25V (2125)
C768	*5 1-126-233-11	s ELECT 22uF 20% 50V
C769	*5 1-126-933-11	s ELECT 100uF 20% 16V
C770	*5 1-163-038-00	s CERAMIC, CHIP 0.1uF 25V (2125)
C771	*5 1-163-038-00	s CERAMIC, CHIP 0.1uF 25V (2125)
C772	*5 1-126-964-11	s ELECT 10uF 20% 50V
C773	*5 1-163-038-00	s CERAMIC, CHIP 0.1uF 25V (2125)
C774	*5 1-126-964-11	s ELECT 10uF 20% 50V
C900	1-163-038-00	s CERAMIC, CHIP 0.1uF 25V (2125)
C901	1-164-161-11	s CERAMIC, CHIP 2200pF 10% 100V
C902	1-126-964-11	s ELECT 10uF 20% 50V
C903-908	1-126-933-11	s ELECT 100uF 20% 16V
C909	1-163-038-00	s CERAMIC, CHIP 0.1uF 25V (2125)
C910	1-163-251-11	s CERAMIC, CHIP 100pF 5% 50V
C911	1-163-251-11	s CERAMIC, CHIP 100pF 5% 50V (2125)
C912	1-163-038-00	s CERAMIC, CHIP 0.1uF 25V (2125)
C913	1-126-964-11	s ELECT 10uF 20% 50V
C914	1-137-366-11	s FILM 0.0022uF 5% 50V
C915	1-137-366-11	s FILM 0.0022uF 5% 50V
C916	1-163-227-11	s CERAMIC, CHIP 10pF 5% 50V (2125)
C917	1-137-364-11	s FILM 0.001uF 5% 50V
C918	1-137-364-11	s FILM 0.001uF 5% 50V
C919	1-124-278-00	s ELECT, NONPOLAR 10uF 20% 35V
C920	1-124-278-00	s ELECT, NONPOLAR 10uF 20% 35V
C921	1-137-368-11	s FILM 0.0047uF 5% 50V
C922	1-137-368-11	s FILM 0.0047uF 5% 50V
C923-926	1-163-038-00	s CERAMIC, CHIP 0.1uF 25V (2125)
C927	1-126-964-11	s ELECT 10uF 20% 50V

Ref. No. or Q'ty	Part No.	SP Description
C928	1-126-964-11	s ELECT 10uF 20% 50V
C929-936	1-163-038-00	s CERAMIC, CHIP 0.1uF 25V (2125)
C937	1-126-964-11	s ELECT 10uF 20% 50V
C938	1-126-964-11	s ELECT 10uF 20% 50V
C941-944	1-124-282-00	s ELECT, NONPOLAR 22uF 20% 25V
C945-948	1-163-235-11	s CERAMIC, CHIP 22pF 5% 50V (2125)
C949-952	1-124-282-00	s ELECT, NONPOLAR 22uF 20% 25V
C953-956	1-163-251-11	s CERAMIC, CHIP 100pF 5% 50V (2125)
C957-960	1-124-282-00	s ELECT, NONPOLAR 22uF 20% 25V
C961	1-137-364-11	s FILM 0.001uF 5% 50V
C962	1-137-364-11	s FILM 0.001uF 5% 50V
C963	1-126-933-11	s ELECT 100uF 20% 16V
C964	1-126-933-11	s ELECT 100uF 20% 16V
C965	1-126-947-11	s ELECT 47uF 20% 35V
C966	1-126-947-11	s ELECT 47uF 20% 35V
C967	1-163-033-00	s CERAMIC, CHIP 0.022uF 50V (2125)
C968	1-163-033-00	s CERAMIC, CHIP 0.022uF 50V (2125)
C969	1-126-947-11	s ELECT 47uF 20% 35V
C970	1-126-947-11	s ELECT 47uF 20% 35V
C971	1-163-033-00	s CERAMIC, CHIP 0.022uF 50V (2125)
C972	1-163-033-00	s CERAMIC, CHIP 0.022uF 50V (2125)
C973	1-163-227-11	s CERAMIC, CHIP 10pF 5% 50V (2125)
C974	1-163-235-11	s CERAMIC, CHIP 22pF 5% 50V (2125)
C975	1-163-235-11	s CERAMIC, CHIP 22pF 5% 50V (2125)
C1000	*8 1-163-038-00	s CERAMIC, CHIP 0.1uF 25V (2125)
C1001	1-124-278-00	s ELECT, NONPOLAR 10uF 20% 35V
C1002	1-124-278-00	s ELECT, NONPOLAR 10uF 20% 35V
C1003	1-163-038-00	s CERAMIC, CHIP 0.1uF 25V (2125)
C1004	1-163-038-00	s CERAMIC, CHIP 0.1uF 25V (2125)
C1100	1-126-947-11	s ELECT 47uF 20% 35V
C1101	1-126-947-11	s ELECT 47uF 20% 35V
C1102	1-163-033-00	s CERAMIC, CHIP 0.022uF 50V (2125)
C1103-1110	1-126-947-11	s ELECT 47uF 20% 35V
C1111-1114	1-163-033-00	s CERAMIC, CHIP 0.022uF 50V (2125)
C1115	*8 1-163-038-00	s CERAMIC, CHIP 0.1uF 25V (2125)
C1116	*8 1-163-038-00	s CERAMIC, CHIP 0.1uF 25V (2125)
C1117	*8 1-163-038-00	s CERAMIC, CHIP 0.1uF 25V (2125)
C1118	*8 1-124-278-00	s ELECT, NONPOLAR 10uF 20% 35V
C1119	*8 1-163-038-00	s CERAMIC, CHIP 0.1uF 25V (2125)
C1120	1-126-947-11	s ELECT 47uF 20% 35V
C1121	1-163-033-00	s CERAMIC, CHIP 0.022uF 50V (2125)
C1300	1-163-038-00	s CERAMIC, CHIP 0.1uF 25V (2125)
C1301	1-126-964-11	s ELECT 10uF 20% 50V
C1303	1-163-038-00	s CERAMIC, CHIP 0.1uF 25V (2125)
C1314	1-163-033-00	s CERAMIC, CHIP 0.022uF 50V (2125)
C1315	1-163-033-00	s CERAMIC, CHIP 0.022uF 50V (2125)
CN119	1-573-600-21	s CONNECTOR, PHEC 100P, MALE
CN120	1-573-600-21	s CONNECTOR, PHEC 100P, MALE
CN121	1-573-600-21	s CONNECTOR, PHEC 100P, MALE
D1	8-719-024-81	s DIODE 1SS300
D2	8-719-404-35	s DIODE MA141WK
D3-5	8-719-024-81	s DIODE 1SS300
D6-8	8-719-404-35	s DIODE MA141WK

-----  
 \*5: Board No. suffix 22 or higher  
 \*8: LOT No. 307 through 409

(APR-1BA BOARD for DVW-A510P/CA510P, suffix 21 through 23)

(APR-1BA BOARD for DVW-A510P/CA510P, suffix 21 through 23)

Ref. No. or Q'ty	Part No.	SP	Description
D50	8-719-801-48	s	DIODE 1SS193
D51	8-719-026-16	s	LED CL-150D-CD, ORG
D52	8-719-941-23	s	DIODE DA204U
D53	8-719-941-23	s	DIODE DA204U
D104	8-719-941-23	s	DIODE DA204U
D105	8-719-941-23	s	DIODE DA204U
D204	8-719-941-23	s	DIODE DA204U
D205	8-719-941-23	s	DIODE DA204U
D304	8-719-941-23	s	DIODE DA204U
D305	8-719-941-23	s	DIODE DA204U
D404	8-719-941-23	s	DIODE DA204U
D405	8-719-941-23	s	DIODE DA204U
D500	*5 8-719-941-04	s	DIODE SB007-03CP
D501	*5 8-719-941-04	s	DIODE SB007-03CP
D502	8-719-801-48	s	DIODE 1SS193
D503	8-719-801-48	s	DIODE 1SS193
D504-507	8-719-068-64	s	DIODE MA143A
D700	*5 8-719-941-04	s	DIODE SB007-03CP
D701	*5 8-719-941-04	s	DIODE SB007-03CP
D702	8-719-801-48	s	DIODE 1SS193
D703	8-719-801-48	s	DIODE 1SS193
D704-707	8-719-068-64	s	DIODE MA143A
D900	8-719-941-23	s	DIODE DA204U
D903-906	8-719-801-48	s	DIODE 1SS193
D907-910	8-719-068-64	s	DIODE MA143A
D1100-1109	*8 8-719-941-23	s	DIODE DA204U
FB1300	1-543-309-21	s	BEAD, FERRITE
IC1	8-759-062-88	s	IC CXD8277Q
IC2	8-759-925-74	s	IC SN74HC04ANS
IC3	8-759-062-88	s	IC CXD8277Q
IC4	8-759-479-32	s	IC SN75C1168NS (E05)
IC5	8-759-925-90	s	IC SN74HC74ANS
IC51	8-759-582-55	s	IC UPD78014FGC-638-AB8
IC52	8-759-926-11	s	IC SN74HC138ANS
IC53	8-759-926-66	s	IC SN74HC373ANS
IC54	8-752-381-84	s	IC CXD1095BQ
IC56	8-759-925-85	s	IC SN74HC32ANS
IC57	8-759-542-91	s	IC S-80840ANUP-ED4-T2
IC58	8-759-081-42	s	IC TC74VHC00F
IC59	8-759-542-91	s	IC S-80840ANUP-ED4-T2
IC60	8-759-542-91	s	IC S-80840ANUP-ED4-T2
IC104	*8 8-759-745-64	s	IC NJM4560M
IC105	8-759-745-64	s	IC NJM4560M
IC106	8-759-745-64	s	IC NJM4560M
IC107	8-759-175-31	s	IC AK5389-VP
IC108	8-759-700-65	s	IC NJM79L05A
IC109	8-759-239-14	s	IC TA78L05S
IC110	8-759-745-64	s	IC NJM4560M
IC112	8-759-925-90	s	IC SN74HC74ANS
IC117	8-759-745-64	s	IC NJM4560M
IC204	*8 8-759-745-64	s	IC NJM4560M
IC205	8-759-745-64	s	IC NJM4560M
IC206	8-759-745-64	s	IC NJM4560M
IC210	8-759-745-64	s	IC NJM4560M

Ref. No. or Q'ty	Part No.	SP	Description
IC217	8-759-745-64	s	IC NJM4560M
IC304	*8 8-759-745-64	s	IC NJM4560M
IC305	8-759-745-64	s	IC NJM4560M
IC306	8-759-745-64	s	IC NJM4560M
IC307	8-759-175-31	s	IC AK5389-VP
IC308	8-759-700-65	s	IC NJM79L05A
IC309	8-759-239-14	s	IC TA78L05S
IC310	8-759-745-64	s	IC NJM4560M
IC317	8-759-745-64	s	IC NJM4560M
IC404	*8 8-759-745-64	s	IC NJM4560M
IC405	8-759-745-64	s	IC NJM4560M
IC406	8-759-745-64	s	IC NJM4560M
IC410	8-759-745-64	s	IC NJM4560M
IC417	8-759-745-64	s	IC NJM4560M
IC500	8-759-062-40	s	IC SM5842APT
IC501	*5 8-759-253-90	s	IC PCML702U-J
	*4 8-759-158-89	s	IC PCM69AP-K
IC502	8-759-700-94	s	IC NJM5532M
IC503	8-759-700-94	s	IC NJM5532M
IC504	*5 8-759-234-08	s	IC TA78L05F
	*4 8-759-708-05	s	IC NJM78L05A
IC505-510	8-759-745-64	s	IC NJM4560M
IC511	8-759-588-96	s	IC NJM5532L-D
IC512	8-759-588-96	s	IC NJM5532L-D
IC513	8-759-745-64	s	IC NJM4560M
IC514	8-759-588-96	s	IC NJM5532L-D
IC515	8-759-588-96	s	IC NJM5532L-D
IC516	8-759-745-64	s	IC NJM4560M
IC517	*8 8-759-100-96	s	IC UPC4558G2
IC518	*8 8-759-100-96	s	IC UPC4558G2
IC519	*5 8-759-045-17	s	IC NJM79L05UA
IC520	*5 8-759-253-90	s	IC PCML702U-J
IC521	*5 8-759-234-08	s	IC TA78L05F
IC522	*5 8-759-045-17	s	IC NJM79L05UA
IC700	8-759-062-40	s	IC SM5842APT
IC701	*5 8-759-253-90	s	IC PCML702U-J
	*4 8-759-158-89	s	IC PCM69AP-K
IC702	8-759-700-94	s	IC NJM5532M
IC703	8-759-700-94	s	IC NJM5532M
IC704	*5 8-759-234-08	s	IC TA78L05F
	*4 8-759-708-05	s	IC NJM78L05A
IC705-710	8-759-745-64	s	IC NJM4560M
IC711	8-759-588-96	s	IC NJM5532L-D
IC712	8-759-588-96	s	IC NJM5532L-D
IC713	8-759-745-64	s	IC NJM4560M
IC714	8-759-588-96	s	IC NJM5532L-D
IC715	8-759-588-96	s	IC NJM5532L-D
IC716	8-759-745-64	s	IC NJM4560M
IC717	*8 8-759-100-96	s	IC UPC4558G2
IC718	*8 8-759-100-96	s	IC UPC4558G2
IC719	*5 8-759-045-17	s	IC NJM79L05UA
IC720	*5 8-759-253-90	s	IC PCML702U-J

-----  
 \*4: Board No. suffix 21 only  
 \*5: Board No. suffix 22 or higher

-----  
 \*8: LOT No. 307 through 409

(APR-1BA BOARD for DVW-A510P/CA510P, suffix 21 through 23)

(APR-1BA BOARD for DVW-A510P/CA510P, suffix 21 through 23)

Ref. No. or Q'ty	Part No.	SP	Description
IC721 *5	8-759-234-08	s	IC TA78L05F
IC722 *5	8-759-045-17	s	IC NJM79L05UA
IC900	8-759-062-40	s	IC SM5842APT
IC901	8-759-745-64	s	IC NJM4560M
IC902	8-759-158-89	s	IC PCM69AP-K
IC903	8-759-300-71	s	IC HD14053BFP
IC904	8-759-700-94	s	IC NJM5532M
IC905	8-759-700-94	s	IC NJM5532M
IC906	8-759-239-14	s	IC TA78L05S
IC907	8-759-745-64	s	IC NJM4560M
IC908	8-759-745-64	s	IC NJM4560M
IC909	8-759-745-64	s	IC NJM4560M
IC910	8-759-239-14	s	IC TA78L05S
IC911	8-759-700-65	s	IC NJM79L05A
IC912-917	8-759-745-64	s	IC NJM4560M
IC918	8-759-588-96	s	IC NJM5532L-D
IC919	8-759-588-96	s	IC NJM5532L-D
IC920	8-759-745-64	s	IC NJM4560M
IC921	8-759-588-96	s	IC NJM5532L-D
IC922	8-759-588-96	s	IC NJM5532L-D
IC923	8-759-745-64	s	IC NJM4560M
IC1100*8	8-759-009-05	s	IC MC14051BF
IC1101*8	8-759-009-05	s	IC MC14051BF
IC1102-1108	*8 8-759-745-64	s	IC NJM4560M
IC1109*8	8-759-100-93	s	IC UPC393G2
IC1110*8	8-759-673-36	s	IC MM74HC00SJK
IC1111*8	8-759-239-55	s	IC TC74HC123AF
IC1112*8	8-759-745-64	s	IC NJM4560M
IC1113	8-759-745-64	s	IC NJM4560M
IC1300	8-759-174-16	s	IC TC74VHC244F
IC1301	8-759-233-66	s	IC TC74HCT04AF
IC1304	8-759-927-15	s	IC SN74HCT245ANS
IC1306	8-759-926-49	s	IC SN74HC245ANS
IC1307	8-759-926-48	s	IC SN74HC244ANS
IC1308	8-759-548-77	s	IC SN74LV245ANSR
IC1309	8-759-548-77	s	IC SN74LV245ANSR
PS1100 Δ	1-533-347-21	s	LINK, IC, CHIP 0.5A
Q1	8-729-907-00	s	TRANSISTOR DTC114EU
Q2	8-729-920-99	s	TRANSISTOR DTA114EU
Q3	8-729-907-00	s	TRANSISTOR DTC114EU
Q4	8-729-920-99	s	TRANSISTOR DTA114EU
Q54	8-729-920-99	s	TRANSISTOR DTA114EU
Q55-61	8-729-907-00	s	TRANSISTOR DTC114EU
Q101	8-729-140-63	s	TRANSISTOR 2SA1611-M5M6
Q102	8-729-012-35	s	TRANSISTOR 2SK711-BL
Q201	8-729-140-63	s	TRANSISTOR 2SA1611-M5M6
Q202	8-729-012-35	s	TRANSISTOR 2SK711-BL
Q301	8-729-140-63	s	TRANSISTOR 2SA1611-M5M6
Q302	8-729-012-35	s	TRANSISTOR 2SK711-BL
Q401	8-729-140-63	s	TRANSISTOR 2SA1611-M5M6
Q402	8-729-012-35	s	TRANSISTOR 2SK711-BL
Q500	8-729-012-35	s	TRANSISTOR 2SK711-BL
Q501	8-729-012-35	s	TRANSISTOR 2SK711-BL

\*5: Board No. suffix 22 or higher  
\*8: LOT No. 307 through 409

Ref. No. or Q'ty	Part No.	SP	Description
Q504	8-729-140-63	s	TRANSISTOR 2SA1611-M5M6
Q505	8-729-140-63	s	TRANSISTOR 2SA1611-M5M6
Q506	8-729-119-78	s	TRANSISTOR 2SC2785-HFE
Q507	8-729-119-78	s	TRANSISTOR 2SC2785-HFE
Q700	8-729-012-35	s	TRANSISTOR 2SK711-BL
Q701	8-729-012-35	s	TRANSISTOR 2SK711-BL
Q704	8-729-140-63	s	TRANSISTOR 2SA1611-M5M6
Q705	8-729-140-63	s	TRANSISTOR 2SA1611-M5M6
Q706	8-729-119-78	s	TRANSISTOR 2SC2785-HFE
Q707	8-729-119-78	s	TRANSISTOR 2SC2785-HFE
Q900	8-729-012-35	s	TRANSISTOR 2SK711-BL
Q901	8-729-012-35	s	TRANSISTOR 2SK711-BL
Q902	8-729-119-78	s	TRANSISTOR 2SC2785-HFE
Q903	8-729-119-78	s	TRANSISTOR 2SC2785-HFE
Q904	8-729-140-63	s	TRANSISTOR 2SA1611-M5M6
Q905	8-729-140-63	s	TRANSISTOR 2SA1611-M5M6
Q906	8-729-119-78	s	TRANSISTOR 2SC2785-HFE
Q907	8-729-119-78	s	TRANSISTOR 2SC2785-HFE
Q1000	8-729-012-35	s	TRANSISTOR 2SK711-BL
Q1001	8-729-012-35	s	TRANSISTOR 2SK711-BL
Q1100 *8	8-729-110-94	s	TRANSISTOR 2SK425-X15
Q1101 *8	8-729-110-94	s	TRANSISTOR 2SK425-X15
Q1103 *8	8-729-140-63	s	TRANSISTOR 2SA1611-M5M6
R1-6	1-216-073-00	s	METAL, CHIP 10K 5% 1/10W (2125)
R7-10 *b	1-216-663-11	s	METAL, CHIP 3.3K 0.5% 1/10W (2125)
*a	1-216-001-00	s	METAL, CHIP 10 5% 1/10W (2125)
R11-14	1-216-619-11	s	METAL, CHIP 47 0.5% 1/10W (2125)
R23	1-216-295-00	s	METAL, CHIP 0 (2125)
R24	1-216-295-00	s	METAL, CHIP 0 (2125)
R27	1-216-073-00	s	METAL, CHIP 10K 5% 1/10W (2125)
R28	1-208-774-11	s	METAL, CHIP 470 0.5% 1/10W (2125)
R29	1-216-651-11	s	METAL, CHIP 1.0K 0.5% 1/10W (2125)
R30	1-216-073-00	s	METAL, CHIP 10K 5% 1/10W (2125)
R31	1-216-073-00	s	METAL, CHIP 10K 5% 1/10W (2125)
R32	1-216-045-00	s	METAL, CHIP 680 5% 1/10W (2125)
R34	1-216-057-00	s	METAL, CHIP 2.2K 5% 1/10W (2125)
R35	1-216-073-00	s	METAL, CHIP 10K 5% 1/10W (2125)
R41	1-216-025-00	s	METAL, CHIP 100 5% 1/10W (2125)
R42	1-208-824-11	s	METAL, CHIP 56K 0.5% 1/10W (2125)
R43	1-208-824-11	s	METAL, CHIP 56K 0.5% 1/10W (2125)
R44	1-216-073-00	s	METAL, CHIP 10K 5% 1/10W (2125)
R47	1-216-065-00	s	METAL, CHIP 4.7K 5% 1/10W (2125)
R48	1-216-065-00	s	METAL, CHIP 4.7K 5% 1/10W (2125)
R49	1-216-073-00	s	METAL, CHIP 10K 5% 1/10W (2125)
R51	1-216-041-00	s	METAL, CHIP 470 5% 1/10W (2125)
R52	1-216-675-11	s	METAL, CHIP 10K 0.5% 1/10W (2125)
R53	1-216-041-00	s	METAL, CHIP 470 5% 1/10W (2125)
R62	1-216-073-00	s	METAL, CHIP 10K 5% 1/10W (2125)
R71	1-216-073-00	s	METAL, CHIP 10K 5% 1/10W (2125)
R73	1-216-073-00	s	METAL, CHIP 10K 5% 1/10W (2125)
R74	1-216-073-00	s	METAL, CHIP 10K 5% 1/10W (2125)
R83	1-216-666-11	s	METAL, CHIP 4.3K 0.5% 1/10W (2125)
R84	1-216-638-11	s	METAL, CHIP 300 0.5% 1/10W (2125)
R85	1-216-065-00	s	METAL, CHIP 4.7K 5% 1/10W (2125)
R86	1-216-065-00	s	METAL, CHIP 4.7K 5% 1/10W (2125)
R93	1-216-089-00	s	METAL, CHIP 47K 5% 1/10W (2125)
R94	1-216-049-00	s	METAL, CHIP 1.0K 5% 1/10W (2125)

\*a: LOT No. 307 through 803  
\*b: LOT No. 804 or higher

(APR-1BA BOARD for DVW-A510P/CA510P, suffix 21 through 23)

(APR-1BA BOARD for DVW-A510P/CA510P, suffix 21 through 23)

Ref. No. or Q'ty	Part No.	SP	Description
R95	1-216-073-00	s	METAL, CHIP 10K 5% 1/10W (2125)
R96	1-216-073-00	s	METAL, CHIP 10K 5% 1/10W (2125)
R97	1-216-057-00	s	METAL, CHIP 2.2K 5% 1/10W (2125)
R98	1-216-073-00	s	METAL, CHIP 10K 5% 1/10W (2125)
R129	1-216-065-00	s	METAL, CHIP 4.7K 5% 1/10W (2125)
R136	1-216-073-00	s	METAL, CHIP 10K 5% 1/10W (2125)
R139	1-216-073-00	s	METAL, CHIP 10K 5% 1/10W (2125)
R140	*8 1-216-073-00	s	METAL, CHIP 10K 5% 1/10W (2125)
R141	1-216-049-00	s	METAL, CHIP 1.0K 5% 1/10W (2125)
R142	1-216-063-00	s	METAL, CHIP 3.9K 5% 1/10W (2125)
R143	1-216-081-00	s	METAL, CHIP 22K 5% 1/10W (2125)
R145	1-216-095-00	s	METAL, CHIP 82K 5% 1/10W (2125)
R146	1-216-655-11	s	METAL, CHIP 1.5K 0.5% 1/10W
R147	1-216-121-00	s	METAL, CHIP 1.0M 5% 1/10W (2125)
R148	1-216-295-00	s	METAL, CHIP 0 (2125)
R150	1-216-059-00	s	METAL, CHIP 2.7K 5% 1/10W (2125)
R151	1-216-651-11	s	METAL, CHIP 1.0K 0.5% 1/10W
R152	1-216-659-11	s	METAL, CHIP 2.2K 0.5% 1/10W
R153	1-216-121-00	s	METAL, CHIP 1.0M 5% 1/10W (2125)
R154	1-216-679-11	s	METAL, CHIP 15K 0.5% 1/10W (2125)
R155	1-216-679-11	s	METAL, CHIP 15K 0.5% 1/10W (2125)
R157	1-216-650-11	s	METAL, CHIP 910 0.5% 1/10W (2125)
R158	1-216-650-11	s	METAL, CHIP 910 0.5% 1/10W
R159	1-216-674-11	s	METAL, CHIP 9.1K 0.5% 1/10W
R160	1-216-675-11	s	METAL, CHIP 10K 0.5% 1/10W (2125)
R161	1-216-675-11	s	METAL, CHIP 10K 0.5% 1/10W (2125)
R162	1-208-801-11	s	METAL, CHIP 6.2K 0.5% 1/10W
R163	1-216-015-00	s	METAL, CHIP 39 5% 1/10W (2125)
R164	1-216-675-11	s	METAL, CHIP 10K 0.5% 1/10W (2125)
R165	1-216-015-00	s	METAL, CHIP 39 5% 1/10W (2125)
R166	1-216-678-11	s	METAL, CHIP 13K 0.5% 1/10W (2125)
R168	1-216-295-00	s	METAL, CHIP 0 (2125)
R169	1-216-065-00	s	METAL, CHIP 4.7K 5% 1/10W (2125)
R171	1-216-295-00	s	METAL, CHIP 0 (2125)
R172	*5 1-208-801-11	s	METAL, CHIP 6.2K 0.5% 1/10W
	*4 1-208-789-11	s	METAL, CHIP 2.0K 0.5% 1/10W
R173	*5 1-216-627-11	s	METAL, CHIP 100 0.5% 1/10W (2125)
	*4 1-216-645-11	s	METAL, CHIP 560 0.5% 1/10W (2125)
R174-177	1-216-065-00	s	METAL, CHIP 4.7K 5% 1/10W (2125)
R179	1-216-675-11	s	METAL, CHIP 10K 0.5% 1/10W
R180	1-216-699-11	s	METAL, CHIP 100K 0.5% 1/10W
R181	1-216-699-11	s	METAL, CHIP 100K 0.5% 1/10W
R182	1-216-295-00	s	METAL, CHIP 0 (2125)
R183	1-216-295-00	s	METAL, CHIP 0 (2125)
R184	1-216-017-00	s	METAL, CHIP 47 5% 1/10W (2125)
R185	1-216-657-11	s	METAL, CHIP 1.8K 0.5% 1/10W
R229	1-216-065-00	s	METAL, CHIP 4.7K 5% 1/10W (2125)
R236	1-216-073-00	s	METAL, CHIP 10K 5% 1/10W (2125)
R239	1-216-073-00	s	METAL, CHIP 10K 5% 1/10W (2125)
R240	*8 1-216-073-00	s	METAL, CHIP 10K 5% 1/10W (2125)
R241	1-216-049-00	s	METAL, CHIP 1.0K 5% 1/10W (2125)
R242	1-216-063-00	s	METAL, CHIP 3.9K 5% 1/10W (2125)
R243	1-216-081-00	s	METAL, CHIP 22K 5% 1/10W (2125)
R245	1-216-095-00	s	METAL, CHIP 82K 5% 1/10W (2125)
R246	1-216-655-11	s	METAL, CHIP 1.5K 0.5% 1/10W
R247	1-216-121-00	s	METAL, CHIP 1.0M 5% 1/10W (2125)

\*4: Board No. suffix 21 only  
\*5: Board No. suffix 22 or higher

Ref. No. or Q'ty	Part No.	SP	Description
R248	1-216-295-00	s	METAL, CHIP 0 (2125)
R250	1-216-059-00	s	METAL, CHIP 2.7K 5% 1/10W (2125)
R251	1-216-651-11	s	METAL, CHIP 1.0K 0.5% 1/10W (2125)
R252	1-216-659-11	s	METAL, CHIP 2.2K 0.5% 1/10W (2125)
R253	1-216-121-00	s	METAL, CHIP 1.0M 5% 1/10W (2125)
R254	1-216-679-11	s	METAL, CHIP 15K 0.5% 1/10W (2125)
R255	1-216-679-11	s	METAL, CHIP 15K 0.5% 1/10W (2125)
R257	1-216-650-11	s	METAL, CHIP 910 0.5% 1/10W (2125)
R258	1-216-650-11	s	METAL, CHIP 910 0.5% 1/10W (2125)
R259	1-216-674-11	s	METAL, CHIP 9.1K 0.5% 1/10W (2125)
R260	1-216-675-11	s	METAL, CHIP 10K 0.5% 1/10W (2125)
R261	1-216-675-11	s	METAL, CHIP 10K 0.5% 1/10W (2125)
R262	1-208-801-11	s	METAL, CHIP 6.2K 0.5% 1/10W (2125)
R263	1-216-015-00	s	METAL, CHIP 39 5% 1/10W (2125)
R264	1-216-675-11	s	METAL, CHIP 10K 0.5% 1/10W (2125)
R265	1-216-015-00	s	METAL, CHIP 39 5% 1/10W (2125)
R268	1-216-295-00	s	METAL, CHIP 0 (2125)
R269	1-216-065-00	s	METAL, CHIP 4.7K 5% 1/10W (2125)
R270	1-216-678-11	s	METAL, CHIP 13K 0.5% 1/10W (2125)
R271	1-216-295-00	s	METAL, CHIP 0 (2125)
R272	*5 1-208-801-11	s	METAL, CHIP 6.2K 0.5% 1/10W (2125)
	*4 1-208-789-11	s	METAL, CHIP 2.0K 0.5% 1/10W (2125)
R273	*5 1-216-627-11	s	METAL, CHIP 100 0.5% 1/10W (2125)
	*4 1-216-645-11	s	METAL, CHIP 560 0.5% 1/10W (2125)
R274-277	1-216-065-00	s	METAL, CHIP 4.7K 5% 1/10W (2125)
R279	1-216-675-11	s	METAL, CHIP 10K 0.5% 1/10W (2125)
R280	1-216-699-11	s	METAL, CHIP 100K 0.5% 1/10W (2125)
R281	1-216-699-11	s	METAL, CHIP 100K 0.5% 1/10W (2125)
R282	1-216-295-00	s	METAL, CHIP 0 (2125)
R283	1-216-295-00	s	METAL, CHIP 0 (2125)
R284	1-216-657-11	s	METAL, CHIP 1.8K 0.5% 1/10W (2125)
R329	1-216-065-00	s	METAL, CHIP 4.7K 5% 1/10W (2125)
R336	1-216-073-00	s	METAL, CHIP 10K 5% 1/10W (2125)
R339	1-216-073-00	s	METAL, CHIP 10K 5% 1/10W (2125)
R340	*8 1-216-073-00	s	METAL, CHIP 10K 5% 1/10W (2125)
R341	1-216-049-00	s	METAL, CHIP 1.0K 5% 1/10W (2125)
R342	1-216-063-00	s	METAL, CHIP 3.9K 5% 1/10W (2125)
R343	1-216-081-00	s	METAL, CHIP 22K 5% 1/10W (2125)
R345	1-216-095-00	s	METAL, CHIP 82K 5% 1/10W (2125)
R346	1-216-655-11	s	METAL, CHIP 1.5K 0.5% 1/10W (2125)
R347	1-216-121-00	s	METAL, CHIP 1.0M 5% 1/10W (2125)
R348	1-216-295-00	s	METAL, CHIP 0 (2125)
R350	1-216-059-00	s	METAL, CHIP 2.7K 5% 1/10W (2125)
R351	1-216-651-11	s	METAL, CHIP 1.0K 0.5% 1/10W (2125)
R352	1-216-659-11	s	METAL, CHIP 2.2K 0.5% 1/10W (2125)
R353	1-216-121-00	s	METAL, CHIP 1.0M 5% 1/10W (2125)
R354	1-216-679-11	s	METAL, CHIP 15K 0.5% 1/10W (2125)
R355	1-216-679-11	s	METAL, CHIP 15K 0.5% 1/10W (2125)
R357	1-216-650-11	s	METAL, CHIP 910 0.5% 1/10W (2125)
R358	1-216-650-11	s	METAL, CHIP 910 0.5% 1/10W (2125)
R359	1-216-674-11	s	METAL, CHIP 9.1K 0.5% 1/10W (2125)
R360	1-216-675-11	s	METAL, CHIP 10K 0.5% 1/10W (2125)
R361	1-216-675-11	s	METAL, CHIP 10K 0.5% 1/10W (2125)
R362	1-208-801-11	s	METAL, CHIP 6.2K 0.5% 1/10W (2125)
R363	1-216-015-00	s	METAL, CHIP 39 5% 1/10W (2125)

\*8: LOT No. 307 through 409

(APR-1BA BOARD for DVW-A510P/CA510P, suffix 21 through 23)

(APR-1BA BOARD for DVW-A510P/CA510P, suffix 21 through 23)

Ref. No. or Q'ty	Part No.	SP Description
R364	1-216-675-11	s METAL, CHIP 10K 0.5% 1/10W (2125)
R365	1-216-015-00	s METAL, CHIP 39 5% 1/10W (2125)
R366	1-216-678-11	s METAL, CHIP 13K 0.5% 1/10W (2125)
R368	1-216-295-00	s METAL, CHIP 0 (2125)
R369	1-216-065-00	s METAL, CHIP 4.7K 5% 1/10W (2125)
R371	1-216-295-00	s METAL, CHIP 0 (2125)
R372	*5 1-208-801-11	s METAL, CHIP 6.2K 0.5% 1/10W
	*4 1-208-789-11	s METAL, CHIP 2.0K 0.5% 1/10W
R373	*5 1-216-627-11	s METAL, CHIP 100 0.5% 1/10W
	*4 1-216-645-11	s METAL, CHIP 560 0.5% 1/10W (2125)
R374-377	1-216-065-00	s METAL, CHIP 4.7K 5% 1/10W (2125)
R379	1-216-675-11	s METAL, CHIP 10K 0.5% 1/10W (2125)
R380	1-216-699-11	s METAL, CHIP 100K 0.5% 1/10W
R381	1-216-699-11	s METAL, CHIP 100K 0.5% 1/10W
R382	1-216-295-00	s METAL, CHIP 0 (2125)
R383	1-216-295-00	s METAL, CHIP 0 (2125)
R384	1-216-017-00	s METAL, CHIP 47 5% 1/10W (2125)
R385	1-216-657-11	s METAL, CHIP 1.8K 0.5% 1/10W
R429	1-216-065-00	s METAL, CHIP 4.7K 5% 1/10W (2125)
R436	1-216-073-00	s METAL, CHIP 10K 5% 1/10W (2125)
R439	1-216-073-00	s METAL, CHIP 10K 5% 1/10W (2125)
R440	*8 1-216-073-00	s METAL, CHIP 10K 5% 1/10W (2125)
R441	1-216-049-00	s METAL, CHIP 1.0K 5% 1/10W (2125)
R442	1-216-063-00	s METAL, CHIP 3.9K 5% 1/10W (2125)
R443	1-216-081-00	s METAL, CHIP 22K 5% 1/10W (2125)
R445	1-216-095-00	s METAL, CHIP 82K 5% 1/10W (2125)
R446	1-216-655-11	s METAL, CHIP 1.5K 0.5% 1/10W
R447	1-216-121-00	s METAL, CHIP 1.0M 5% 1/10W (2125)
R448	1-216-295-00	s METAL, CHIP 0 (2125)
R450	1-216-059-00	s METAL, CHIP 2.7K 5% 1/10W (2125)
R451	1-216-651-11	s METAL, CHIP 1.0K 0.5% 1/10W
R452	1-216-659-11	s METAL, CHIP 2.2K 0.5% 1/10W
R453	1-216-121-00	s METAL, CHIP 1.0M 5% 1/10W (2125)
R454	1-216-679-11	s METAL, CHIP 15K 0.5% 1/10W (2125)
R455	1-216-679-11	s METAL, CHIP 15K 0.5% 1/10W (2125)
R457	1-216-650-11	s METAL, CHIP 910 0.5% 1/10W
R458	1-216-650-11	s METAL, CHIP 910 0.5% 1/10W (2125)
R459	1-216-674-11	s METAL, CHIP 9.1K 0.5% 1/10W
R460	1-216-675-11	s METAL, CHIP 10K 0.5% 1/10W (2125)
R461	1-216-675-11	s METAL, CHIP 10K 0.5% 1/10W (2125)
R462	1-208-801-11	s METAL, CHIP 6.2K 0.5% 1/10W
R463	1-216-015-00	s METAL, CHIP 39 5% 1/10W (2125)
R464	1-216-675-11	s METAL, CHIP 10K 0.5% 1/10W (2125)
R465	1-216-015-00	s METAL, CHIP 39 5% 1/10W (2125)
R468	1-216-295-00	s METAL, CHIP 0 (2125)
R469	1-216-065-00	s METAL, CHIP 4.7K 5% 1/10W (2125)
R470	1-216-678-11	s METAL, CHIP 13K 0.5% 1/10W (2125)
R471	1-216-295-00	s METAL, CHIP 0 (2125)
R472	*5 1-208-801-11	s METAL, CHIP 6.2K 0.5% 1/10W
	*4 1-208-789-11	s METAL, CHIP 2.0K 0.5% 1/10W
R473	*5 1-216-627-11	s METAL, CHIP 100 0.5% 1/10W
	*4 1-216-645-11	s METAL, CHIP 560 0.5% 1/10W (2125)
R474-477	1-216-065-00	s METAL, CHIP 4.7K 5% 1/10W (2125)
R479	1-216-675-11	s METAL, CHIP 10K 0.5% 1/10W (2125)
R480	1-216-699-11	s METAL, CHIP 100K 0.5% 1/10W

Ref. No. or Q'ty	Part No.	SP Description
R481	1-216-699-11	s METAL, CHIP 100K 0.5% 1/10W (2125)
R482	1-216-295-00	s METAL, CHIP 0 (2125)
R483	1-216-295-00	s METAL, CHIP 0 (2125)
R484	1-216-657-11	s METAL, CHIP 1.8K 0.5% 1/10W (2125)
R500-504	1-216-073-00	s METAL, CHIP 10K 5% 1/10W (2125)
R505	1-216-121-00	s METAL, CHIP 1.0M 5% 1/10W (2125)
R506	1-216-121-00	s METAL, CHIP 1.0M 5% 1/10W (2125)
R507	*5 1-216-659-11	s METAL, CHIP 2.2K 0.5% 1/10W (2125)
	*4 1-216-065-00	s METAL, CHIP 4.7K 5% 1/10W (2125)
R508	*5 1-216-659-11	s METAL, CHIP 2.2K 0.5% 1/10W (2125)
	*4 1-216-065-00	s METAL, CHIP 4.7K 5% 1/10W (2125)
R509	1-216-638-11	s METAL, CHIP 300 0.5% 1/10W (2125)
R510	1-216-638-11	s METAL, CHIP 300 0.5% 1/10W (2125)
R511	1-216-676-11	s METAL, CHIP 11K 0.5% 1/10W (2125)
R512	1-216-676-11	s METAL, CHIP 11K 0.5% 1/10W (2125)
R513	1-208-814-11	s METAL, CHIP 22K 0.5% 1/10W (2125)
R514	1-208-814-11	s METAL, CHIP 22K 0.5% 1/10W (2125)
R515-518	1-216-655-11	s METAL, CHIP 1.5K 0.5% 1/10W (2125)
R519-522	1-216-679-11	s METAL, CHIP 15K 0.5% 1/10W (2125)
R523	1-216-651-11	s METAL, CHIP 1.0K 0.5% 1/10W (2125)
R524	1-216-651-11	s METAL, CHIP 1.0K 0.5% 1/10W (2125)
R525	1-216-095-00	s METAL, CHIP 82K 5% 1/10W (2125)
R526	1-216-095-00	s METAL, CHIP 82K 5% 1/10W (2125)
R527	1-216-659-11	s METAL, CHIP 2.2K 0.5% 1/10W (2125)
R528	1-216-659-11	s METAL, CHIP 2.2K 0.5% 1/10W (2125)
R531	1-216-295-00	s METAL, CHIP 0 (2125)
R532	1-216-295-00	s METAL, CHIP 0 (2125)
R533	1-216-081-00	s METAL, CHIP 22K 5% 1/10W (2125)
R534	1-216-081-00	s METAL, CHIP 22K 5% 1/10W (2125)
R535	1-216-049-00	s METAL, CHIP 1.0K 5% 1/10W (2125)
R536	1-216-063-00	s METAL, CHIP 3.9K 5% 1/10W (2125)
R537	1-216-049-00	s METAL, CHIP 1.0K 5% 1/10W (2125)
R538	1-216-063-00	s METAL, CHIP 3.9K 5% 1/10W (2125)
R539-544	1-216-073-00	s METAL, CHIP 10K 5% 1/10W (2125)
R545	1-216-679-11	s METAL, CHIP 15K 0.5% 1/10W (2125)
R546	1-216-679-11	s METAL, CHIP 15K 0.5% 1/10W (2125)
R547	1-216-682-11	s METAL, CHIP 20K 0.5% 1/10W (2125)
R548	1-216-677-11	s METAL, CHIP 12K 0.5% 1/10W (2125)
R549	1-216-673-11	s METAL, CHIP 8.2K 0.5% 1/10W (2125)
R550	1-216-682-11	s METAL, CHIP 20K 0.5% 1/10W (2125)
R551	1-216-677-11	s METAL, CHIP 12K 0.5% 1/10W (2125)
R552	1-216-673-11	s METAL, CHIP 8.2K 0.5% 1/10W (2125)
R553	1-216-652-11	s METAL, CHIP 1.1K 0.5% 1/10W (2125)
R554	1-216-652-11	s METAL, CHIP 1.1K 0.5% 1/10W (2125)
R555	1-216-641-11	s METAL, CHIP 390 0.5% 1/10W (2125)
R556	1-216-646-11	s METAL, CHIP 620 0.5% 1/10W (2125)
R557	1-216-648-11	s METAL, CHIP 750 0.5% 1/10W (2125)
R558	1-216-631-11	s METAL, CHIP 150 0.5% 1/10W (2125)
R559	1-216-641-11	s METAL, CHIP 390 0.5% 1/10W (2125)
R560	1-216-646-11	s METAL, CHIP 620 0.5% 1/10W (2125)
R561	1-216-648-11	s METAL, CHIP 750 0.5% 1/10W (2125)
R562	1-216-631-11	s METAL, CHIP 150 0.5% 1/10W (2125)
R563-566	1-218-367-11	s METAL, CHIP 10K 0.1% 1/16W (2125)
R567-574	1-211-998-11	s METAL, CHIP 4.7K 0.1% 1/16W (2125)
R575-578	1-218-367-11	s METAL, CHIP 10K 0.1% 1/16W (2125)
R579	1-216-651-11	s METAL, CHIP 1.0K 0.5% 1/10W (2125)

-----  
 \*4: Board No. suffix 21 only  
 \*5: Board No. suffix 22 or higher

-----  
 \*8: LOT No. 307 through 409

(APR-1BA BOARD for DVW-A510P/CA510P, suffix 21 through 23)

(APR-1BA BOARD for DVW-A510P/CA510P, suffix 21 through 23)

Ref. No. or Q'ty	Part No.	SP	Description
R580	1-218-367-11	s	METAL, CHIP 10K 0.1% 1/16W (2125)
R581	1-216-097-00	s	METAL, CHIP 100K 5% 1/10W (2125)
R582	1-218-367-11	s	METAL, CHIP 10K 0.1% 1/16W (2125)
R583	1-216-651-11	s	METAL, CHIP 1.0K 0.5% 1/10W
R584	1-216-097-00	s	METAL, CHIP 100K 5% 1/10W (2125)
R585	1-216-651-11	s	METAL, CHIP 1.0K 0.5% 1/10W
R586	1-218-367-11	s	METAL, CHIP 10K 0.1% 1/16W (2125)
R587	1-216-097-00	s	METAL, CHIP 100K 5% 1/10W (2125)
R588	1-218-367-11	s	METAL, CHIP 10K 0.1% 1/16W (2125)
R589	1-216-651-11	s	METAL, CHIP 1.0K 0.5% 1/10W
R590	1-216-097-00	s	METAL, CHIP 100K 5% 1/10W (2125)
R591-594	1-216-619-11	s	METAL, CHIP 47 0.5% 1/10W (2125)
R595-598	1-216-699-11	s	METAL, CHIP 100K 0.5% 1/10W
R599	1-219-493-11	s	METAL, CHIP 22 0.5% 1/4W (3225)
R600	1-219-493-11	s	METAL, CHIP 22 0.5% 1/4W (3225)
R601	1-216-073-00	s	METAL, CHIP 10K 5% 1/10W (2125)
R602	1-216-073-00	s	METAL, CHIP 10K 5% 1/10W (2125)
R603	1-219-493-11	s	METAL, CHIP 22 0.5% 1/4W (3225)
R604	1-219-493-11	s	METAL, CHIP 22 0.5% 1/4W (3225)
R605	1-216-073-00	s	METAL, CHIP 10K 5% 1/10W (2125)
R606	1-216-073-00	s	METAL, CHIP 10K 5% 1/10W (2125)
R607	1-219-493-11	s	METAL, CHIP 22 0.5% 1/4W (3225)
R608	1-219-493-11	s	METAL, CHIP 22 0.5% 1/4W (3225)
R609	1-216-073-00	s	METAL, CHIP 10K 5% 1/10W (2125)
R610	1-216-073-00	s	METAL, CHIP 10K 5% 1/10W (2125)
R611	1-219-493-11	s	METAL, CHIP 22 0.5% 1/4W (3225)
R612	1-219-493-11	s	METAL, CHIP 22 0.5% 1/4W (3225)
R613	1-216-073-00	s	METAL, CHIP 10K 5% 1/10W (2125)
R614	1-216-073-00	s	METAL, CHIP 10K 5% 1/10W (2125)
R615	1-216-037-00	s	METAL, CHIP 330 5% 1/10W (2125)
R616	1-216-037-00	s	METAL, CHIP 330 5% 1/10W (2125)
R617	1-216-073-00	s	METAL, CHIP 10K 5% 1/10W (2125)
R618	1-216-073-00	s	METAL, CHIP 10K 5% 1/10W (2125)
R619	1-216-295-00	s	METAL, CHIP 0 (2125)
R620-623	1-216-017-00	s	METAL, CHIP 47 5% 1/10W (2125)
R624	*5 1-216-295-00	s	METAL, CHIP 0 (2125)
	*4 1-216-017-00	s	METAL, CHIP 47 5% 1/10W (2125)
R625	1-216-295-00	s	METAL, CHIP 0 (2125)
R626	1-216-690-11	s	METAL, CHIP 43K 0.5% 1/10W (2125)
R627	*5 1-208-811-11	s	METAL, CHIP 16K 0.5% 1/10W (2125)
	*4 1-216-659-11	s	METAL, CHIP 2.2K 0.5% 1/10W
R628	1-208-801-11	s	METAL, CHIP 6.2K 0.5% 1/10W
R629	1-216-295-00	s	METAL, CHIP 0 (2125)
R630	1-216-690-11	s	METAL, CHIP 43K 0.5% 1/10W (2125)
R631	*5 1-208-811-11	s	METAL, CHIP 16K 0.5% 1/10W (2125)
	*4 1-216-659-11	s	METAL, CHIP 2.2K 0.5% 1/10W
R632	*5 1-208-785-11	s	METAL, CHIP 1.3K 0.5% 1/10W
	*4 1-216-631-11	s	METAL, CHIP 150 0.5% 1/10W (2125)
R633	1-208-801-11	s	METAL, CHIP 6.2K 0.5% 1/10W
R634	*5 1-208-785-11	s	METAL, CHIP 1.3K 0.5% 1/10W
	*4 1-216-631-11	s	METAL, CHIP 150 0.5% 1/10W (2125)
R640	1-216-121-00	s	METAL, CHIP 1.0M 5% 1/10W (2125)
R641	1-216-121-00	s	METAL, CHIP 1.0M 5% 1/10W (2125)
R700-704	1-216-073-00	s	METAL, CHIP 10K 5% 1/10W (2125)
R705	1-216-121-00	s	METAL, CHIP 1.0M 5% 1/10W (2125)

Ref. No. or Q'ty	Part No.	SP	Description
R706	1-216-121-00	s	METAL, CHIP 1.0M 5% 1/10W (2125)
R707	*5 1-216-659-11	s	METAL, CHIP 2.2K 0.5% 1/10W (2125)
	*4 1-216-065-00	s	METAL, CHIP 4.7K 5% 1/10W (2125)
R708	*5 1-216-659-11	s	METAL, CHIP 2.2K 0.5% 1/10W (2125)
	*4 1-216-065-00	s	METAL, CHIP 4.7K 5% 1/10W (2125)
R709	1-216-638-11	s	METAL, CHIP 300 0.5% 1/10W (2125)
R710	1-216-638-11	s	METAL, CHIP 300 0.5% 1/10W (2125)
R711	1-216-676-11	s	METAL, CHIP 11K 0.5% 1/10W (2125)
R712	1-216-676-11	s	METAL, CHIP 11K 0.5% 1/10W (2125)
R713	1-208-814-11	s	METAL, CHIP 22K 0.5% 1/10W (2125)
R714	1-208-814-11	s	METAL, CHIP 22K 0.5% 1/10W (2125)
R715-718	1-216-655-11	s	METAL, CHIP 1.5K 0.5% 1/10W (2125)
R719-722	1-216-679-11	s	METAL, CHIP 15K 0.5% 1/10W (2125)
R723	1-216-651-11	s	METAL, CHIP 1.0K 0.5% 1/10W (2125)
R724	1-216-651-11	s	METAL, CHIP 1.0K 0.5% 1/10W (2125)
R725	1-216-095-00	s	METAL, CHIP 82K 5% 1/10W (2125)
R726	1-216-095-00	s	METAL, CHIP 82K 5% 1/10W (2125)
R727	1-216-659-11	s	METAL, CHIP 2.2K 0.5% 1/10W (2125)
R728	1-216-659-11	s	METAL, CHIP 2.2K 0.5% 1/10W (2125)
R731	1-216-295-00	s	METAL, CHIP 0 (2125)
R732	1-216-295-00	s	METAL, CHIP 0 (2125)
R733	1-216-081-00	s	METAL, CHIP 22K 5% 1/10W (2125)
R734	1-216-081-00	s	METAL, CHIP 22K 5% 1/10W (2125)
R735	1-216-049-00	s	METAL, CHIP 1.0K 5% 1/10W (2125)
R736	1-216-063-00	s	METAL, CHIP 3.9K 5% 1/10W (2125)
R737	1-216-049-00	s	METAL, CHIP 1.0K 5% 1/10W (2125)
R738	1-216-063-00	s	METAL, CHIP 3.9K 5% 1/10W (2125)
R739-744	1-216-073-00	s	METAL, CHIP 10K 5% 1/10W (2125)
R745	1-216-679-11	s	METAL, CHIP 15K 0.5% 1/10W (2125)
R746	1-216-679-11	s	METAL, CHIP 15K 0.5% 1/10W (2125)
R747	1-216-682-11	s	METAL, CHIP 20K 0.5% 1/10W (2125)
R748	1-216-677-11	s	METAL, CHIP 12K 0.5% 1/10W (2125)
R749	1-216-673-11	s	METAL, CHIP 8.2K 0.5% 1/10W (2125)
R750	1-216-682-11	s	METAL, CHIP 20K 0.5% 1/10W (2125)
R751	1-216-677-11	s	METAL, CHIP 12K 0.5% 1/10W (2125)
R752	1-216-673-11	s	METAL, CHIP 8.2K 0.5% 1/10W (2125)
R753	1-216-652-11	s	METAL, CHIP 1.1K 0.5% 1/10W (2125)
R754	1-216-652-11	s	METAL, CHIP 1.1K 0.5% 1/10W (2125)
R755	1-216-641-11	s	METAL, CHIP 390 0.5% 1/10W (2125)
R756	1-216-646-11	s	METAL, CHIP 620 0.5% 1/10W (2125)
R757	1-216-648-11	s	METAL, CHIP 750 0.5% 1/10W (2125)
R758	1-216-631-11	s	METAL, CHIP 150 0.5% 1/10W (2125)
R759	1-216-641-11	s	METAL, CHIP 390 0.5% 1/10W (2125)
R760	1-216-646-11	s	METAL, CHIP 620 0.5% 1/10W (2125)
R761	1-216-648-11	s	METAL, CHIP 750 0.5% 1/10W (2125)
R762	1-216-631-11	s	METAL, CHIP 150 0.5% 1/10W (2125)
R763-766	1-218-367-11	s	METAL, CHIP 10K 0.1% 1/16W (2125)
R767-774	1-211-998-11	s	METAL, CHIP 4.7K 0.1% 1/16W (2125)
R775-778	1-218-367-11	s	METAL, CHIP 10K 0.1% 1/16W (2125)
R779	1-216-651-11	s	METAL, CHIP 1.0K 0.5% 1/10W (2125)
R780	1-218-367-11	s	METAL, CHIP 10K 0.1% 1/16W (2125)
R781	1-216-097-00	s	METAL, CHIP 100K 5% 1/10W (2125)
R782	1-218-367-11	s	METAL, CHIP 10K 0.1% 1/16W (2125)
R783	1-216-651-11	s	METAL, CHIP 1.0K 0.5% 1/10W (2125)
R784	1-216-097-00	s	METAL, CHIP 100K 5% 1/10W (2125)

-----  
 \*4: Board No. suffix 21 only  
 \*5: Board No. suffix 22 or higher

(APR-1BA BOARD for DVW-A510P/CA510P, suffix 21 through 23)

(APR-1BA BOARD for DVW-A510P/CA510P, suffix 21 through 23)

Ref. No. or Q'ty	Part No.	SP Description
R785	1-216-651-11	s METAL, CHIP 1.0K 0.5% 1/10W
R786	1-218-367-11	s METAL, CHIP 10K 0.1% 1/16W (2125)
R787	1-216-097-00	s METAL, CHIP 100K 5% 1/10W (2125)
R788	1-218-367-11	s METAL, CHIP 10K 0.1% 1/16W (2125)
R789	1-216-651-11	s METAL, CHIP 1.0K 0.5% 1/10W
R790	1-216-097-00	s METAL, CHIP 100K 5% 1/10W (2125)
R791-794	1-216-619-11	s METAL, CHIP 47 0.5% 1/10W (2125)
R795-798	1-216-699-11	s METAL, CHIP 100K 0.5% 1/10W
R799	1-219-493-11	s METAL, CHIP 22 0.5% 1/4W (3225)
R800	1-219-493-11	s METAL, CHIP 22 0.5% 1/4W (3225)
R801	1-216-073-00	s METAL, CHIP 10K 5% 1/10W (2125)
R802	1-216-073-00	s METAL, CHIP 10K 5% 1/10W (2125)
R803	1-219-493-11	s METAL, CHIP 22 0.5% 1/4W (3225)
R804	1-219-493-11	s METAL, CHIP 22 0.5% 1/4W (3225)
R805	1-216-073-00	s METAL, CHIP 10K 5% 1/10W (2125)
R806	1-216-073-00	s METAL, CHIP 10K 5% 1/10W (2125)
R807	1-219-493-11	s METAL, CHIP 22 0.5% 1/4W (3225)
R808	1-219-493-11	s METAL, CHIP 22 0.5% 1/4W (3225)
R809	1-216-073-00	s METAL, CHIP 10K 5% 1/10W (2125)
R810	1-216-073-00	s METAL, CHIP 10K 5% 1/10W (2125)
R811	1-219-493-11	s METAL, CHIP 22 0.5% 1/4W (3225)
R812	1-219-493-11	s METAL, CHIP 22 0.5% 1/4W (3225)
R813	1-216-073-00	s METAL, CHIP 10K 5% 1/10W (2125)
R814	1-216-073-00	s METAL, CHIP 10K 5% 1/10W (2125)
R815	1-216-037-00	s METAL, CHIP 330 5% 1/10W (2125)
R816	1-216-037-00	s METAL, CHIP 330 5% 1/10W (2125)
R817	1-216-073-00	s METAL, CHIP 10K 5% 1/10W (2125)
R818	1-216-073-00	s METAL, CHIP 10K 5% 1/10W (2125)
R819	1-216-295-00	s METAL, CHIP 0 (2125)
R820-823	1-216-017-00	s METAL, CHIP 47 5% 1/10W (2125)
R824	*5 1-216-295-00	s METAL, CHIP 0 (2125)
	*4 1-216-017-00	s METAL, CHIP 47 5% 1/10W (2125)
R825	1-216-295-00	s METAL, CHIP 0 (2125)
R826	1-216-690-11	s METAL, CHIP 43K 0.5% 1/10W (2125)
R827	*5 1-208-811-11	s METAL, CHIP 16K 0.5% 1/10W
	*4 1-216-659-11	s METAL, CHIP 2.2K 0.5% 1/10W
R828	1-208-801-11	s METAL, CHIP 6.2K 0.5% 1/10W
R829	1-216-295-00	s METAL, CHIP 0 (2125)
R830	1-216-690-11	s METAL, CHIP 43K 0.5% 1/10W (2125)
R831	*5 1-208-811-11	s METAL, CHIP 16K 0.5% 1/10W
	*4 1-216-659-11	s METAL, CHIP 2.2K 0.5% 1/10W
R832	*5 1-208-785-11	s METAL, CHIP 1.3K 0.5% 1/10W
	*4 1-216-631-11	s METAL, CHIP 150 0.5% 1/10W (2125)
R833	1-208-801-11	s METAL, CHIP 6.2K 0.5% 1/10W
R834	*5 1-208-785-11	s METAL, CHIP 1.3K 0.5% 1/10W
	*4 1-216-631-11	s METAL, CHIP 150 0.5% 1/10W (2125)
R840	1-216-121-00	s METAL, CHIP 1.0M 5% 1/10W (2125)
R841	1-216-121-00	s METAL, CHIP 1.0M 5% 1/10W (2125)
R900	1-216-073-00	s METAL, CHIP 10K 5% 1/10W (2125)
R901	1-216-295-00	s METAL, CHIP 0 (2125)
R902	1-216-295-00	s METAL, CHIP 0 (2125)
R903	1-216-655-11	s METAL, CHIP 1.5K 0.5% 1/10W
R904	1-216-073-00	s METAL, CHIP 10K 5% 1/10W (2125)
R905	1-208-775-11	s METAL, CHIP 510 0.5% 1/10W
R906-908	1-216-073-00	s METAL, CHIP 10K 5% 1/10W (2125)

Ref. No. or Q'ty	Part No.	SP Description
R909	1-216-121-00	s METAL, CHIP 1.0M 5% 1/10W (2125)
R910	1-216-121-00	s METAL, CHIP 1.0M 5% 1/10W (2125)
R911	1-216-065-00	s METAL, CHIP 4.7K 5% 1/10W (2125)
R912	1-216-065-00	s METAL, CHIP 4.7K 5% 1/10W (2125)
R913	1-216-638-11	s METAL, CHIP 300 0.5% 1/10W (2125)
R914	1-216-638-11	s METAL, CHIP 300 0.5% 1/10W (2125)
R915	1-216-017-00	s METAL, CHIP 47 5% 1/10W (2125)
R916	1-216-017-00	s METAL, CHIP 47 5% 1/10W (2125)
R917	1-216-676-11	s METAL, CHIP 11K 0.5% 1/10W (2125)
R918	1-216-676-11	s METAL, CHIP 11K 0.5% 1/10W (2125)
R919	1-208-814-11	s METAL, CHIP 22K 0.5% 1/10W (2125)
R920	1-208-814-11	s METAL, CHIP 22K 0.5% 1/10W (2125)
R921	1-216-655-11	s METAL, CHIP 1.5K 0.5% 1/10W (2125)
R922	1-216-655-11	s METAL, CHIP 1.5K 0.5% 1/10W (2125)
R923	1-216-017-00	s METAL, CHIP 47 5% 1/10W (2125)
R924	1-216-655-11	s METAL, CHIP 1.5K 0.5% 1/10W (2125)
R925	1-216-655-11	s METAL, CHIP 1.5K 0.5% 1/10W (2125)
R926	1-216-017-00	s METAL, CHIP 47 5% 1/10W (2125)
R927-930	1-216-679-11	s METAL, CHIP 15K 0.5% 1/10W (2125)
R931	1-216-651-11	s METAL, CHIP 1.0K 0.5% 1/10W (2125)
R932	1-216-651-11	s METAL, CHIP 1.0K 0.5% 1/10W (2125)
R933	1-216-095-00	s METAL, CHIP 82K 5% 1/10W (2125)
R934	1-216-095-00	s METAL, CHIP 82K 5% 1/10W (2125)
R935	1-216-659-11	s METAL, CHIP 2.2K 0.5% 1/10W (2125)
R936	1-216-659-11	s METAL, CHIP 2.2K 0.5% 1/10W (2125)
R937	1-216-081-00	s METAL, CHIP 22K 5% 1/10W (2125)
R938	1-216-081-00	s METAL, CHIP 22K 5% 1/10W (2125)
R939	1-216-295-00	s METAL, CHIP 0 (2125)
R940	1-216-295-00	s METAL, CHIP 0 (2125)
R941	1-216-081-00	s METAL, CHIP 22K 5% 1/10W (2125)
R942	1-216-081-00	s METAL, CHIP 22K 5% 1/10W (2125)
R943	1-216-049-00	s METAL, CHIP 1.0K 5% 1/10W (2125)
R944	1-216-063-00	s METAL, CHIP 3.9K 5% 1/10W (2125)
R945	1-216-049-00	s METAL, CHIP 1.0K 5% 1/10W (2125)
R946	1-216-063-00	s METAL, CHIP 3.9K 5% 1/10W (2125)
R947-956	1-216-073-00	s METAL, CHIP 10K 5% 1/10W (2125)
R957	1-216-121-00	s METAL, CHIP 1.0M 5% 1/10W (2125)
R958	1-216-121-00	s METAL, CHIP 1.0M 5% 1/10W (2125)
R959-962	1-216-073-00	s METAL, CHIP 10K 5% 1/10W (2125)
R963	1-216-679-11	s METAL, CHIP 15K 0.5% 1/10W (2125)
R964	1-216-679-11	s METAL, CHIP 15K 0.5% 1/10W (2125)
R965	1-216-682-11	s METAL, CHIP 20K 0.5% 1/10W (2125)
R966	1-216-677-11	s METAL, CHIP 12K 0.5% 1/10W (2125)
R967	1-216-673-11	s METAL, CHIP 8.2K 0.5% 1/10W (2125)
R968	1-216-682-11	s METAL, CHIP 20K 0.5% 1/10W (2125)
R969	1-216-677-11	s METAL, CHIP 12K 0.5% 1/10W (2125)
R970	1-216-673-11	s METAL, CHIP 8.2K 0.5% 1/10W (2125)
R971	1-216-652-11	s METAL, CHIP 1.1K 0.5% 1/10W (2125)
R972	1-216-652-11	s METAL, CHIP 1.1K 0.5% 1/10W (2125)
R973	1-216-641-11	s METAL, CHIP 390 0.5% 1/10W (2125)
R974	1-216-646-11	s METAL, CHIP 620 0.5% 1/10W (2125)
R975	1-216-648-11	s METAL, CHIP 750 0.5% 1/10W (2125)
R976	1-216-631-11	s METAL, CHIP 150 0.5% 1/10W (2125)
R977	1-216-641-11	s METAL, CHIP 390 0.5% 1/10W (2125)
R978	1-216-646-11	s METAL, CHIP 620 0.5% 1/10W (2125)
R979	1-216-648-11	s METAL, CHIP 750 0.5% 1/10W (2125)

-----  
 \*4: Board No. suffix 21 only  
 \*5: Board No. suffix 22 or higher



(APR-1BA BOARD for DVW-A510P/CA510P, suffix 21 through 23)

(APR-1BA BOARD for DVW-A510P/CA510P, suffix 21 through 23)

Ref. No. or Q'ty	Part No.	SP	Description
R980	1-216-631-11	s	METAL, CHIP 150 0.5% 1/10W (2125)
R981-984	1-218-367-11	s	METAL, CHIP 10K 0.1% 1/16W (2125)
R985-992	1-211-998-11	s	METAL, CHIP 4.7K 0.1% 1/16W
R993-996	1-218-367-11	s	METAL, CHIP 10K 0.1% 1/16W
R997	1-216-651-11	s	METAL, CHIP 1.0K 0.5% 1/10W
R998	1-218-367-11	s	METAL, CHIP 10K 0.1% 1/16W
R999	1-216-097-00	s	METAL, CHIP 100K 5% 1/10W (2125)
R1000	1-218-367-11	s	METAL, CHIP 10K 0.1% 1/16W (2125)
R1001	1-216-651-11	s	METAL, CHIP 1.0K 0.5% 1/10W
R1002	1-216-097-00	s	METAL, CHIP 100K 5% 1/10W (2125)
R1003	1-216-651-11	s	METAL, CHIP 1.0K 0.5% 1/10W
R1004	1-218-367-11	s	METAL, CHIP 10K 0.1% 1/16W (2125)
R1005	1-216-097-00	s	METAL, CHIP 100K 5% 1/10W (2125)
R1006	1-218-367-11	s	METAL, CHIP 10K 0.1% 1/16W (2125)
R1007	1-216-651-11	s	METAL, CHIP 1.0K 0.5% 1/10W
R1008	1-216-097-00	s	METAL, CHIP 100K 5% 1/10W (2125)
R1009-1012	1-216-619-11	s	METAL, CHIP 47 0.5% 1/10W (2125)
R1013-1016	1-216-699-11	s	METAL, CHIP 100K 0.5% 1/10W
R1017	1-219-493-11	s	METAL, CHIP 22 0.5% 1/4W (3225)
R1018	1-219-493-11	s	METAL, CHIP 22 0.5% 1/4W (3225)
R1019	1-216-073-00	s	METAL, CHIP 10K 5% 1/10W (2125)
R1020	1-216-073-00	s	METAL, CHIP 10K 5% 1/10W (2125)
R1021	1-219-493-11	s	METAL, CHIP 22 0.5% 1/4W (3225)
R1022	1-219-493-11	s	METAL, CHIP 22 0.5% 1/4W (3225)
R1023	1-216-073-00	s	METAL, CHIP 10K 5% 1/10W (2125)
R1024	1-219-493-11	s	METAL, CHIP 22 0.5% 1/4W (3225)
R1025	1-219-493-11	s	METAL, CHIP 22 0.5% 1/4W (3225)
R1026	1-216-073-00	s	METAL, CHIP 10K 5% 1/10W (2125)
R1027	1-216-073-00	s	METAL, CHIP 10K 5% 1/10W (2125)
R1028	1-219-493-11	s	METAL, CHIP 22 0.5% 1/4W (3225)
R1029	1-219-493-11	s	METAL, CHIP 22 0.5% 1/4W (3225)
R1030	1-216-073-00	s	METAL, CHIP 10K 5% 1/10W (2125)
R1031	1-216-073-00	s	METAL, CHIP 10K 5% 1/10W (2125)
R1032	1-216-073-00	s	METAL, CHIP 10K 5% 1/10W (2125)
R1033	1-216-037-00	s	METAL, CHIP 330 5% 1/10W (2125)
R1034	1-216-037-00	s	METAL, CHIP 330 5% 1/10W (2125)
R1035	1-216-073-00	s	METAL, CHIP 10K 5% 1/10W (2125)
R1036	1-216-073-00	s	METAL, CHIP 10K 5% 1/10W (2125)
R1037 *8	1-208-799-11	s	METAL, CHIP 5.1K 0.5% 1/10W
R1038	1-216-295-00	s	METAL, CHIP 0 (2125)
R1039	1-216-295-00	s	METAL, CHIP 0 (2125)
R1040	1-216-121-00	s	METAL, CHIP 1.0M 5% 1/10W (2125)
R1041	1-216-121-00	s	METAL, CHIP 1.0M 5% 1/10W (2125)
R1042	1-216-295-00	s	METAL, CHIP 0 (2125)
R1043 *8	1-216-079-00	s	METAL, CHIP 18K 5% 1/10W (2125)
R1044 *8	1-216-079-00	s	METAL, CHIP 18K 5% 1/10W (2125)
R1045 *8	1-216-105-00	s	METAL, CHIP 220K 5% 1/10W (2125)
R1046 *8	1-208-799-11	s	METAL, CHIP 5.1K 0.5% 1/10W
R1047	1-216-017-00	s	METAL, CHIP 47 5% 1/10W (2125)
R1048	1-216-690-11	s	METAL, CHIP 43K 0.5% 1/10W (2125)
R1049 *5	1-208-811-11	s	METAL, CHIP 16K 0.5% 1/10W (2125)
	*4 1-216-659-11	s	METAL, CHIP 2.2K 0.5% 1/10W
R1050	1-208-801-11	s	METAL, CHIP 6.2K 0.5% 1/10W

Ref. No. or Q'ty	Part No.	SP	Description
R1051	1-216-690-11	s	METAL, CHIP 43K 0.5% 1/10W (2125)
R1052 *5	1-208-811-11	s	METAL, CHIP 16K 0.5% 1/10W (2125)
	*4 1-216-659-11	s	METAL, CHIP 2.2K 0.5% 1/10W (2125)
R1053 *5	1-208-785-11	s	METAL, CHIP 1.3K 0.5% 1/10W (2125)
	*4 1-216-631-11	s	METAL, CHIP 150 0.5% 1/10W (2125)
R1054	1-216-073-00	s	METAL, CHIP 10K 5% 1/10W (2125)
R1055	1-216-073-00	s	METAL, CHIP 10K 5% 1/10W (2125)
R1056	1-216-676-11	s	METAL, CHIP 11K 0.5% 1/10W (2125)
R1057	1-216-053-00	s	METAL, CHIP 1.5K 5% 1/10W (2125)
R1058	1-216-073-00	s	METAL, CHIP 10K 5% 1/10W (2125)
R1059	1-216-073-00	s	METAL, CHIP 10K 5% 1/10W (2125)
R1060	1-216-053-00	s	METAL, CHIP 1.5K 5% 1/10W (2125)
R1061	1-216-676-11	s	METAL, CHIP 11K 0.5% 1/10W (2125)
R1062	1-216-295-00	s	METAL, CHIP 0 (2125)
R1063	1-216-295-00	s	METAL, CHIP 0 (2125)
R1064	1-208-801-11	s	METAL, CHIP 6.2K 0.5% 1/10W (2125)
R1065 *5	1-208-785-11	s	METAL, CHIP 1.3K 0.5% 1/10W (2125)
	*4 1-216-631-11	s	METAL, CHIP 150 0.5% 1/10W (2125)
R1066-1069	1-216-295-00	s	METAL, CHIP 0 (2125)
R1072	1-216-687-11	s	METAL, CHIP 33K 0.5% 1/10W (2125)
R1073	1-216-687-11	s	METAL, CHIP 33K 0.5% 1/10W (2125)
R1074	1-216-073-00	s	METAL, CHIP 10K 5% 1/10W (2125)
R1075	1-216-073-00	s	METAL, CHIP 10K 5% 1/10W (2125)
R1076	1-216-651-11	s	METAL, CHIP 1.0K 0.5% 1/10W (2125)
R1077	1-216-651-11	s	METAL, CHIP 1.0K 0.5% 1/10W (2125)
R1078	1-216-675-11	s	METAL, CHIP 10K 0.5% 1/10W (2125)
R1079	1-216-675-11	s	METAL, CHIP 10K 0.5% 1/10W (2125)
R1100	1-216-676-11	s	METAL, CHIP 11K 0.5% 1/10W (2125)
R1101	1-208-811-11	s	METAL, CHIP 16K 0.5% 1/10W (2125)
R1102	1-216-661-11	s	METAL, CHIP 2.7K 0.5% 1/10W (2125)
R1103	1-208-814-11	s	METAL, CHIP 22K 0.5% 1/10W (2125)
R1104	1-216-025-00	s	METAL, CHIP 100 5% 1/10W (2125)
R1105 *8	1-216-073-00	s	METAL, CHIP 10K 5% 1/10W (2125)
R1106 *8	1-216-063-00	s	METAL, CHIP 3.9K 5% 1/10W (2125)
R1107 *8	1-216-071-00	s	METAL, CHIP 8.2K 5% 1/10W (2125)
R1108 *8	1-216-081-00	s	METAL, CHIP 22K 5% 1/10W (2125)
R1109 *8	1-216-073-00	s	METAL, CHIP 10K 5% 1/10W (2125)
R1110 *8	1-216-095-00	s	METAL, CHIP 82K 5% 1/10W (2125)
R1111 *8	1-216-049-00	s	METAL, CHIP 1.0K 5% 1/10W (2125)
R1112 *8	1-216-065-00	s	METAL, CHIP 4.7K 5% 1/10W (2125)
R1113 *8	1-216-081-00	s	METAL, CHIP 22K 5% 1/10W (2125)
R1114 *8	1-216-073-00	s	METAL, CHIP 10K 5% 1/10W (2125)
R1115 *8	1-216-095-00	s	METAL, CHIP 82K 5% 1/10W (2125)
R1116 *8	1-216-073-00	s	METAL, CHIP 10K 5% 1/10W (2125)
R1117 *8	1-216-073-00	s	METAL, CHIP 10K 5% 1/10W (2125)
R1118 *8	1-216-684-11	s	METAL, CHIP 24K 0.5% 1/10W (2125)
R1119 *8	1-216-097-00	s	METAL, CHIP 100K 5% 1/10W (2125)
R1120 *8	1-216-105-00	s	METAL, CHIP 220K 5% 1/10W (2125)
R1121 *8	1-216-061-00	s	METAL, CHIP 3.3K 5% 1/10W (2125)
R1122 *8	1-216-073-00	s	METAL, CHIP 10K 5% 1/10W (2125)
R1123 *8	1-216-077-00	s	METAL, CHIP 15K 5% 1/10W (2125)
R1124 *8	1-216-105-00	s	METAL, CHIP 220K 5% 1/10W (2125)
R1125 *8	1-216-065-00	s	METAL, CHIP 4.7K 5% 1/10W (2125)
R1126 *8	1-216-105-00	s	METAL, CHIP 220K 5% 1/10W (2125)

-----  
 \*4: Board No. suffix 21 only  
 \*5: Board No. suffix 22 or higher

-----  
 \*8: LOT No. 307 through 409

(APR-1BA BOARD for DVW-A510P/CA510P, suffix 21 through 23)

(APR-1BA BOARD for DVW-A510P/CA510P, suffix 21 through 23)

Ref. No. or Q'ty	Part No.	SP Description
R1127-1130		
	*8 1-216-051-00	s METAL, CHIP 1.2K 5% 1/10W (2125)
R1131-1134		
	*8 1-208-799-11	s METAL, CHIP 5.1K 0.5% 1/10W
R1200-1215		
	1-216-009-00	s METAL, CHIP 22 5% 1/10W (2125)
R1300	1-216-033-00	s METAL, CHIP 220 5% 1/10W (2125)
R1301	1-216-033-00	s METAL, CHIP 220 5% 1/10W (2125)
R1302-1305		
	1-216-073-00	s METAL, CHIP 10K 5% 1/10W (2125)
R1306	1-216-033-00	s METAL, CHIP 220 5% 1/10W (2125)
R1307	1-216-295-00	s METAL, CHIP 0 (2125)
R1308	1-216-033-00	s METAL, CHIP 220 5% 1/10W (2125)
R1309	1-216-295-00	s METAL, CHIP 0 (2125)
R1310-1314		
	1-216-033-00	s METAL, CHIP 220 5% 1/10W (2125)
R1315	1-216-073-00	s METAL, CHIP 10K 5% 1/10W (2125)
R1316	1-216-073-00	s METAL, CHIP 10K 5% 1/10W (2125)
R1317	1-216-033-00	s METAL, CHIP 220 5% 1/10W (2125)
R1318	1-216-295-00	s METAL, CHIP 0 (2125)
R1319	1-216-033-00	s METAL, CHIP 220 5% 1/10W (2125)
R1320	1-216-033-00	s METAL, CHIP 220 5% 1/10W (2125)
R1321	1-216-017-00	s METAL, CHIP 47 5% 1/10W (2125)
R1322	1-216-017-00	s METAL, CHIP 47 5% 1/10W (2125)
R1323	1-216-017-00	s METAL, CHIP 47 5% 1/10W (2125)
R1324	1-216-073-00	s METAL, CHIP 10K 5% 1/10W (2125)
R1325	1-216-073-00	s METAL, CHIP 10K 5% 1/10W (2125)
R1327	1-216-295-00	s METAL, CHIP 0 (2125)
R1329	1-216-073-00	s METAL, CHIP 10K 5% 1/10W (2125)
R1338	1-216-295-00	s METAL, CHIP 0 (2125)
R1345	1-216-295-00	s METAL, CHIP 0 (2125)
R1352	1-216-295-00	s METAL, CHIP 0 (2125)
R1402	1-216-295-00	s METAL, CHIP 0 (2125)
R1404-1411		
	1-216-073-00	s METAL, CHIP 10K 5% 1/10W (2125)
R1412	1-216-295-00	s METAL, CHIP 0 (2125)
R1414	1-216-295-00	s METAL, CHIP 0 (2125)
R1416	1-216-073-00	s METAL, CHIP 10K 5% 1/10W (2125)
R1417	1-216-073-00	s METAL, CHIP 10K 5% 1/10W (2125)
R1418	1-216-073-00	s METAL, CHIP 10K 5% 1/10W (2125)
R1419	1-216-295-00	s METAL, CHIP 0 (2125)
R2001 *9	1-249-429-11	s CARBON 10K 5% 1/4W
RB51	1-239-308-11	s RESISTOR BLOCK, CHIP 47Kx8
RB53-55	1-239-306-11	s RESISTOR BLOCK, CHIP 10Kx8
RV103	1-241-765-11	s RES, ADJ, CERMET 22K
RV203	1-241-765-11	s RES, ADJ, CERMET 22K
RV303	1-241-765-11	s RES, ADJ, CERMET 22K
RV403	1-241-765-11	s RES, ADJ, CERMET 22K
RV500	1-241-764-11	s RES, ADJ, CERMET 10K
RV501	1-241-764-11	s RES, ADJ, CERMET 10K
RV700	1-241-764-11	s RES, ADJ, CERMET 10K
RV701	1-241-764-11	s RES, ADJ, CERMET 10K
RV900	1-241-764-11	s RES, ADJ, CERMET 10K
RV901	1-241-764-11	s RES, ADJ, CERMET 10K

Ref. No. or Q'ty	Part No.	SP Description
RV902	1-241-764-11	s RES, ADJ, CERMET 10K
RV903	1-241-764-11	s RES, ADJ, CERMET 10K
RY502	1-515-716-11	s RELAY TQ2-5V
RY503	1-515-716-11	s RELAY TQ2-5V
RY702	1-515-716-11	s RELAY TQ2-5V
RY703	1-515-716-11	s RELAY TQ2-5V
RY900	1-515-928-11	s RELAY AHY109
RY901	1-515-928-11	s RELAY AHY109
RY902	1-515-716-11	s RELAY TQ2-5V
RY903	1-515-716-11	s RELAY TQ2-5V
X50	1-579-599-21	s RESONATOR, CERAMIC 8.38 MHz

-----  
 \*8: LOT No. 307 through 409  
 \*9: LOT No. 410 through 412

-----  
 CL-28 BOARD for DVW-CA510P  
 -----

Ref. No. or Q'ty	Part No.	SP	Description
1pc	A-8276-813-A	o	MOUNTED CIRCUIT BOARD, CL-28
C1	1-161-051-00	s	CERAMIC 0.01uF 10% 50V
C2	1-162-282-31	s	CERAMIC 100pF 10% 50V
C3	1-162-282-31	s	CERAMIC 100pF 10% 50V
C4	1-162-282-31	s	CERAMIC 100pF 10% 50V
C5	1-162-282-31	s	CERAMIC 100pF 10% 50V
C6	1-161-494-00	s	CERAMIC 0.022uF 25V
C7	1-104-665-11	s	ELECT 100uF 20% 25V
C8	1-161-494-00	s	CERAMIC 0.022uF 25V
C9	1-104-665-11	s	ELECT 100uF 20% 25V
C10	1-104-665-11	s	ELECT 100uF 20% 25V
C11	1-161-494-00	s	CERAMIC 0.022uF 25V
C12	1-161-494-00	s	CERAMIC 0.022uF 25V
C13	1-161-494-00	s	CERAMIC 0.022uF 25V
CN280	1-506-491-11	s	CONNECTOR, 12P, MALE
CN281	1-506-482-11	s	CONNECTOR, 3P, MALE
CN282	1-564-013-11	o	CONNECTOR, 3P, MALE
CN283	1-506-482-21	s	CONNECTOR, 3P, MALE
CN284	1-506-471-11	s	CONNECTOR, 6P, MALE
CN285	1-506-468-11	s	CONNECTOR, 3P, MALE
CN286	1-560-369-00	o	CONNECTOR, ILG 8P, MALE
CN287	1-564-014-11	s	CONNECTOR, 4P, MALE
D1	8-719-200-76	s	DIODE 10E1N
D2	8-719-200-76	s	DIODE 10E1N
IC1	8-759-916-20	s	IC SN74HC14AN
IC2	8-759-900-04	s	IC SN74LS04N
IC3	8-759-900-00	s	IC SN74LS00N
IC4	8-759-701-75	s	IC NJM7805FA
Q1	8-729-927-03	s	TRANSISTOR 2SC4115SS
R1	1-249-409-11	s	CARBON 220 5% 1/4W
R2	1-249-409-11	s	CARBON 220 5% 1/4W
R3	1-249-409-11	s	CARBON 220 5% 1/4W
R4	1-249-409-11	s	CARBON 220 5% 1/4W
R5	1-249-409-11	s	CARBON 220 5% 1/4W
R6	1-249-433-11	s	CARBON 22K 5% 1/4W
R7	1-249-433-11	s	CARBON 22K 5% 1/4W
R8	1-249-433-11	s	CARBON 22K 5% 1/4W
R9	1-249-433-11	s	CARBON 22K 5% 1/4W
R10	1-249-429-11	s	CARBON 10K 5% 1/4W
R11	1-249-429-11	s	CARBON 10K 5% 1/4W
R12	1-249-429-11	s	CARBON 10K 5% 1/4W
R13	1-249-429-11	s	CARBON 10K 5% 1/4W
R14	1-249-433-11	s	CARBON 22K 5% 1/4W
R15	1-249-433-11	s	CARBON 22K 5% 1/4W
R16	1-249-433-11	s	CARBON 22K 5% 1/4W
R17	1-249-411-11	s	CARBON 330 5% 1/4W
R18	1-249-433-11	s	CARBON 22K 5% 1/4W
R19	1-249-433-11	s	CARBON 22K 5% 1/4W

-----  
 CP-218B BOARD  
 -----

Ref. No. or Q'ty	Part No.	SP	Description
1pc	A-8275-214-A	o	MOUNTED CIRCUIT BOARD, CP-218B
C1	1-126-933-11	s	ELECT 100uF 20% 16V
C6	1-163-037-11	s	CERAMIC, CHIP 0.022uF 10% 25V (2125)
C7	1-163-037-11	s	CERAMIC, CHIP 0.022uF 10% 25V (2125)
C8	1-126-933-11	s	ELECT 100uF 20% 16V
C10	1-126-933-11	s	ELECT 100uF 20% 16V
C12	1-163-037-11	s	CERAMIC, CHIP 0.022uF 10% 25V (2125)
C13	1-126-933-11	s	ELECT 100uF 20% 16V
C14	1-163-037-11	s	CERAMIC, CHIP 0.022uF 10% 25V (2125)
C15	1-163-037-11	s	CERAMIC, CHIP 0.022uF 10% 25V (2125)
C16	1-126-933-11	s	ELECT 100uF 20% 16V
C17	1-163-037-11	s	CERAMIC, CHIP 0.022uF 10% 25V (2125)
C18	1-126-933-11	s	ELECT 100uF 20% 16V
C19	1-163-037-11	s	CERAMIC, CHIP 0.022uF 10% 25V (2125)
C21-30	1-163-037-11	s	CERAMIC, CHIP 0.022uF 10% 25V (2125)
C31-35	1-126-933-11	s	ELECT 100uF 20% 16V
C42	1-163-037-11	s	CERAMIC, CHIP 0.022uF 10% 25V (2125)
C43	1-126-933-11	s	ELECT 100uF 20% 16V
C55	1-126-933-11	s	ELECT 100uF 20% 16V
C56	1-163-037-11	s	CERAMIC, CHIP 0.022uF 10% 25V (2125)
C57	1-126-933-11	s	ELECT 100uF 20% 16V
C58	1-163-037-11	s	CERAMIC, CHIP 0.022uF 10% 25V (2125)
C59	1-126-933-11	s	ELECT 100uF 20% 16V
C60	1-163-037-11	s	CERAMIC, CHIP 0.022uF 10% 25V (2125)
C61	1-126-933-11	s	ELECT 100uF 20% 16V
C62	1-163-037-11	s	CERAMIC, CHIP 0.022uF 10% 25V (2125)
C63	1-126-933-11	s	ELECT 100uF 20% 16V
C64	1-163-037-11	s	CERAMIC, CHIP 0.022uF 10% 25V (2125)
C65	1-126-933-11	s	ELECT 100uF 20% 16V
C66	1-163-037-11	s	CERAMIC, CHIP 0.022uF 10% 25V (2125)
CN1	1-573-580-11	s	CONNECTOR, BNC, FEMALE
CN2	1-573-580-11	s	CONNECTOR, BNC, FEMALE
CN3	1-573-584-11	s	CONNECTOR, BNC, FEMALE
CN4	1-573-580-11	s	CONNECTOR, BNC, FEMALE
CN5	1-750-668-11	s	CONNECTOR, 2-BNC, FEMALE
CN6	1-573-584-11	s	CONNECTOR, BNC, FEMALE
CN412	1-506-493-11	s	CONNECTOR, 14P, MALE
CN413	1-506-487-11	s	CONNECTOR, 8P, MALE
CN414	1-506-484-11	s	CONNECTOR, 5P, MALE
IC1	8-759-708-05	s	IC NJM78L05A
IC2	8-759-700-65	s	IC NJM79L05A
IC3	8-759-009-06	s	IC MC14052BF
IC4	8-759-708-05	s	IC NJM78L05A
IC5	8-759-700-65	s	IC NJM79L05A
IC6-11	8-752-052-73	s	IC CXA1451M
IC16	8-759-708-05	s	IC NJM78L05A
L1-3	1-410-482-31	s	INDUCTOR 100uH
L13-17	1-410-482-31	s	INDUCTOR 100uH
Q1	8-729-140-63	s	TRANSISTOR 2SA1611-M5M6
Q6	8-729-117-32	s	TRANSISTOR 2SC4177-L6
R1	1-216-624-11	s	METAL, CHIP 75 0.5% 1/10W (2125)
R6	1-216-679-11	s	METAL, CHIP 15K 0.5% 1/10W (2125)
R11	1-216-009-00	s	METAL, CHIP 22 5% 1/10W (2125)
R16	1-216-089-00	s	METAL, CHIP 47K 5% 1/10W (2125)

(CP-218B BOARD)

Ref. No. or Q'ty	Part No.	SP Description
R17	1-216-089-00	s METAL, CHIP 47K 5% 1/10W (2125)
R18	1-216-017-00	s METAL, CHIP 47 5% 1/10W (2125)
R19	1-216-017-00	s METAL, CHIP 47 5% 1/10W (2125)
R20	1-216-045-00	s METAL, CHIP 680 5% 1/10W (2125)
R21	1-216-017-00	s METAL, CHIP 47 5% 1/10W (2125)
R28	1-216-045-00	s METAL, CHIP 680 5% 1/10W (2125)
R29	1-216-009-00	s METAL, CHIP 22 5% 1/10W (2125)
R35-39	1-216-639-11	s METAL, CHIP 330 0.5% 1/10W (2125)
R40-45*2	1-211-750-11	s METAL, CHIP 150 0.1% 1/16W (2125)
*1	1-216-624-11	s METAL, CHIP 75 0.5% 1/10W (2125)
R53	1-216-017-00	s METAL, CHIP 47 5% 1/10W (2125)
R55	1-216-041-00	s METAL, CHIP 470 5% 1/10W (2125)
R56	1-216-041-00	s METAL, CHIP 470 5% 1/10W (2125)
R65-70*2	1-216-631-11	s METAL, CHIP 150 0.5% 1/10W
S1	1-570-157-51	s SWITCH, SLIDE

CP-220B BOARD

Ref. No. or Q'ty	Part No.	SP Description
lpc	A-8275-207-A	o MOUNTED CIRCUIT BOARD, CP-220B
C730	1-163-038-00	s CERAMIC, CHIP 0.1uF 25V (2125)
C830	1-163-038-00	s CERAMIC, CHIP 0.1uF 25V (2125)
CN11,31	1-750-785-11	s CONNECTOR, DUAL XLR 3P, MALE
CN51	1-750-785-11	s CONNECTOR, DUAL XLR 3P, MALE
CN52,61	1-750-787-11	s CONNECTOR, XLR 3P, MALE
CN71	1-750-785-11	s CONNECTOR, DUAL XLR 3P, MALE
CN401	1-506-491-11	s CONNECTOR, 12P, MALE
CN402	1-506-485-11	s CONNECTOR, 6P, MALE
CN403	1-506-486-11	s CONNECTOR, 7P, MALE
CN404	1-564-941-11	o CONNECTOR, FLAT CABLE 34P, MALE
CN405	1-562-480-11	o CONNECTOR, 10P, MALE
FB131	*2 1-543-622-11	s BEAD, FERRITE, CHIP
FB133	*2 1-543-622-11	s BEAD, FERRITE, CHIP
FB134	*2 1-543-622-11	s BEAD, FERRITE, CHIP
FB231	*2 1-543-622-11	s BEAD, FERRITE, CHIP
FB233	*2 1-543-622-11	s BEAD, FERRITE, CHIP
FB331	*2 1-543-622-11	s BEAD, FERRITE, CHIP
FB333	*2 1-543-622-11	s BEAD, FERRITE, CHIP
FB334	*2 1-543-622-11	s BEAD, FERRITE, CHIP
FB431	*2 1-543-622-11	s BEAD, FERRITE, CHIP
FB433	*2 1-543-622-11	s BEAD, FERRITE, CHIP
FB531	*2 1-543-622-11	s BEAD, FERRITE, CHIP
FB533	*2 1-543-622-11	s BEAD, FERRITE, CHIP
FB535	*2 1-543-622-11	s BEAD, FERRITE, CHIP
FB537	*2 1-543-622-11	s BEAD, FERRITE, CHIP
FB539	*2 1-543-622-11	s BEAD, FERRITE, CHIP
FB541	*2 1-543-622-11	s BEAD, FERRITE, CHIP
FB542	*2 1-543-622-11	s BEAD, FERRITE, CHIP
FB543	*2 1-543-622-11	s BEAD, FERRITE, CHIP
FB631	*2 1-543-622-11	s BEAD, FERRITE, CHIP
FB633	*2 1-543-622-11	s BEAD, FERRITE, CHIP
FB634	*2 1-543-622-11	s BEAD, FERRITE, CHIP
FB635	*2 1-543-622-11	s BEAD, FERRITE, CHIP
R131	*1 1-216-295-00	s METAL, CHIP 0 (2125)
R133	*1 1-216-295-00	s METAL, CHIP 0 (2125)
R231	*1 1-216-295-00	s METAL, CHIP 0 (2125)
R233	*1 1-216-295-00	s METAL, CHIP 0 (2125)
R331	*1 1-216-295-00	s METAL, CHIP 0 (2125)
R333	*1 1-216-295-00	s METAL, CHIP 0 (2125)
R431	*1 1-216-295-00	s METAL, CHIP 0 (2125)
R433	*1 1-216-295-00	s METAL, CHIP 0 (2125)
R531	*1 1-216-295-00	s METAL, CHIP 0 (2125)
R533	*1 1-216-295-00	s METAL, CHIP 0 (2125)
R535	*1 1-216-295-00	s METAL, CHIP 0 (2125)
R537	*1 1-216-295-00	s METAL, CHIP 0 (2125)
R539	*1 1-216-295-00	s METAL, CHIP 0 (2125)
R541	*1 1-216-295-00	s METAL, CHIP 0 (2125)
R631	*1 1-216-295-00	s METAL, CHIP 0 (2125)
R633	*1 1-216-295-00	s METAL, CHIP 0 (2125)
R705	1-218-477-11	s METAL, CHIP 220 5% 1/4W (3225)
R805	1-218-477-11	s METAL, CHIP 220 5% 1/4W (3225)
T730	1-437-194-21	s TRANSFORMER, PULSE
T830	1-437-194-21	s TRANSFORMER, PULSE

\*1: Board No. suffix 21 only  
 \*2: Board No. suffix 22 or higher

\*1: Board No. suffix 21 only  
 \*2: Board No. suffix 22 or higher

-----  
 CUE-1B BOARD for DVW-510P  
 -----

(CUE-1B BOARD for DVW-510P)

Ref. No. or Q'ty	Part No.	SP	Description
1pc	A-8275-354-A	o	MOUNTED CIRCUIT BOARD, CUE-1BP
1pc	3-171-455-01	o	PLATE (S), SHIELD, CARD
1pc	3-171-456-02	o	SHEET (S), CARD
1pc	3-179-084-01	s	LEVER (R), PC BOARD
1pc	3-179-085-01	s	LEVER (L), PC BOARD
1pc	7-682-902-11	s	SCREW +PWH 2.6x5
2pcs	3-182-014-02	o	MAIN, CUE SHIELD CASE
C102	1-163-125-00	s	CERAMIC, CHIP 220pF 5% 50V (2125)
C103	1-135-212-21	s	TANTALUM, CHIP 2.2uF 10% 35V
C111	1-126-394-11	s	ELECT, CHIP 10uF 20% 16V
C112	1-163-235-11	s	CERAMIC, CHIP 22pF 5% 50V (2125)
C115	1-126-394-11	s	ELECT, CHIP 10uF 20% 16V
C116	1-163-243-11	s	CERAMIC, CHIP 47pF 5% 50V (2125)
C118	1-163-239-11	s	CERAMIC, CHIP 33pF 5% 50V (2125)
C120	1-126-394-11	s	ELECT, CHIP 10uF 20% 16V
C122	1-104-957-11	s	ELECT 47uF 20% 25V
C124	1-104-957-11	s	ELECT 47uF 20% 25V
C125	1-163-033-00	s	CERAMIC, CHIP 0.022uF 50V (2125)
C127	1-163-135-00	s	CERAMIC, CHIP 560pF 5% 50V (2125)
C131	1-163-243-11	s	CERAMIC, CHIP 47pF 5% 50V (2125)
C133	1-163-243-11	s	CERAMIC, CHIP 47pF 5% 50V (2125)
C136	1-135-166-21	s	TANTALUM, CHIP 47uF 10% 10V
C138	1-104-553-11	s	FILM, CHIP 0.015uF 5% 16V (3216)
C140	1-163-125-00	s	CERAMIC, CHIP 220pF 5% 50V (2125)
C142	1-126-394-11	s	ELECT, CHIP 10uF 20% 16V
C144	1-126-394-11	s	ELECT, CHIP 10uF 20% 16V
C146	1-163-137-00	s	CERAMIC, CHIP 680pF 5% 50V (2125)
C147	1-104-549-11	s	FILM, CHIP 0.0068uF 5% 16V (2125)
C148	1-104-549-11	s	FILM, CHIP 0.0068uF 5% 16V (2125)
C150	1-126-394-11	s	ELECT, CHIP 10uF 20% 16V
C152	1-126-394-11	s	ELECT, CHIP 10uF 20% 16V
C154	1-126-394-11	s	ELECT, CHIP 10uF 20% 16V
C156	1-104-561-11	s	FILM, CIHP 0.068uF 5% 16V (3225)
C158	1-163-243-11	s	CERAMIC, CHIP 47pF 5% 50V (2125)
C161	1-104-555-11	s	FILM, CHIP 0.022uF 5% 16V (3216)
C162	1-104-555-11	s	FILM, CHIP 0.022uF 5% 16V (3216)
C163	1-104-556-11	s	FILM, CHIP 0.027uF 5% 16V (3216)
C164	1-104-556-11	s	FILM, CHIP 0.027uF 5% 16V (3216)
C165	1-104-555-11	s	FILM, CHIP 0.022uF 5% 16V (3216)
C166	1-104-555-11	s	FILM, CHIP 0.022uF 5% 16V (3216)
C167	1-163-235-11	s	CERAMIC, CHIP 22pF 5% 50V (2125)
C168	1-124-667-11	s	ELECT 10uF 20% 100V
C169	1-124-667-11	s	ELECT 10uF 20% 100V
C170	1-163-033-00	s	CERAMIC, CHIP 0.022uF 50V (2125)
C171	1-163-033-00	s	CERAMIC, CHIP 0.022uF 50V (2125)
C172	1-163-033-00	s	CERAMIC, CHIP 0.022uF 50V (2125)
C173	1-104-957-11	s	ELECT 47uF 20% 25V
C174	1-104-957-11	s	ELECT 47uF 20% 25V
C175	1-163-033-00	s	CERAMIC, CHIP 0.022uF 50V (2125)
C176	1-163-033-00	s	CERAMIC, CHIP 0.022uF 50V (2125)
C180	1-135-161-21	s	TANTALUM, CHIP 22uF 10% 10V
C181	1-126-394-11	s	ELECT, CHIP 10uF 20% 16V
C182	1-126-392-11	s	ELECT, CHIP 100uF 20% 6.3V
C183	1-163-235-11	s	CERAMIC, CHIP 22pF 5% 50V (2125)
C184	1-163-033-00	s	CERAMIC, CHIP 0.022uF 50V (2125)
C187	1-104-957-11	s	ELECT 47uF 20% 25V

Ref. No. or Q'ty	Part No.	SP	Description
C188	1-163-235-11	s	CERAMIC, CHIP 22pF 5% 50V (2125)
C189	1-163-243-11	s	CERAMIC, CHIP 47pF 5% 50V (2125)
C190	1-163-033-00	s	CERAMIC, CHIP 0.022uF 50V (2125)
C191	1-104-957-11	s	ELECT 47uF 20% 25V
C192	1-163-033-00	s	CERAMIC, CHIP 0.022uF 50V (2125)
C193	1-104-539-11	s	FILM, CHIP 1000pF 5% 50V (2125)
C194	1-104-543-11	s	FILM, CHIP 0.0022uF 5% 50V (2125)
C205	1-126-394-11	s	ELECT, CHIP 10uF 20% 16V
C342	*4 1-163-037-11	s	CERAMIC, CHIP 0.022uF 10% 25V (2125)
C343	*4 1-126-395-11	s	ELECT, CHIP 22uF 20% 16V
C400	1-124-667-11	s	ELECT 10uF 20% 100V
C401	1-124-667-11	s	ELECT 10uF 20% 100V
C403	1-163-033-00	s	CERAMIC, CHIP 0.022uF 50V (2125)
C404	1-163-033-00	s	CERAMIC, CHIP 0.022uF 50V (2125)
C406	1-104-957-11	s	ELECT 47uF 20% 25V
C407	1-104-957-11	s	ELECT 47uF 20% 25V
C408	1-163-033-00	s	CERAMIC, CHIP 0.022uF 50V (2125)
C409	1-163-033-00	s	CERAMIC, CHIP 0.022uF 50V (2125)
C412	1-126-392-11	s	ELECT, CHIP 100uF 20% 6.3V
C413	1-104-551-11	s	FILM, CHIP 0.01uF 5% 16V (2125)
C414	1-163-251-11	s	CERAMIC, CHIP 100pF 5% 50V (2125)
C416	*8 1-163-137-00	s	CERAMIC, CHIP 680pF 5% 50V (2125)
C417	1-164-232-11	s	CERAMIC, CHIP 0.01uF 10% 100V (2125)
C418	*8 1-164-182-11	s	CERAMIC, CHIP 0.033uF 10% 50V (2125)
C419	1-164-232-11	s	CERAMIC, CHIP 0.01uF 10% 100V (2125)
C421	1-163-809-11	s	CERAMIC, CHIP 0.047uF 10% 25V (2125)
C422	1-163-034-00	s	CERAMIC, CHIP 0.033uF 50V (2125)
C423	1-163-113-00	s	CERAMIC, CHIP 68pF 5% 50V (2125)
C424	1-126-394-11	s	ELECT, CHIP 10uF 20% 16V
C547	1-163-037-11	s	CERAMIC, CHIP 0.022uF 10% 25V (2125)
C700	1-126-396-11	s	ELECT, CHIP 47uF 20% 16V
C701	1-163-037-11	s	CERAMIC, CHIP 0.022uF 10% 25V (2125)
C702	1-163-251-11	s	CERAMIC, CHIP 100pF 5% 50V (2125)
C703	1-126-395-11	s	ELECT, CHIP 22uF 20% 16V
C704	1-126-395-11	s	ELECT, CHIP 22uF 20% 16V
C705	1-163-243-11	s	CERAMIC, CHIP 47pF 5% 50V (2125)
C706	1-163-235-11	s	CERAMIC, CHIP 22pF 5% 50V (2125)
C707	1-163-235-11	s	CERAMIC, CHIP 22pF 5% 50V (2125)
C708	1-126-395-11	s	ELECT, CHIP 22uF 20% 16V
C709	1-126-395-11	s	ELECT, CHIP 22uF 20% 16V
C711	1-163-251-11	s	CERAMIC, CHIP 100pF 5% 50V (2125)
C712	1-163-251-11	s	CERAMIC, CHIP 100pF 5% 50V (2125)
C713	1-126-395-11	s	ELECT, CHIP 22uF 20% 16V
C714	1-126-395-11	s	ELECT, CHIP 22uF 20% 16V
C715	1-163-222-11	s	CERAMIC, CHIP 5pF 50V (2125)
C716	1-124-122-11	s	ELECT 100uF 20% 50V
C717	1-124-122-11	s	ELECT 100uF 20% 50V
C718	1-104-539-11	s	FILM, CHIP 1000pF 5% 50V (2125)
C719	1-124-667-11	s	ELECT 10uF 20% 100V
C720	1-163-033-00	s	CERAMIC, CHIP 0.022uF 50V (2125)
C721	1-124-667-11	s	ELECT 10uF 20% 100V
C722	1-124-667-11	s	ELECT 10uF 20% 100V
C901	1-104-539-11	s	FILM, CHIP 1000pF 5% 50V (2125)
C902	1-104-539-11	s	FILM, CHIP 1000pF 5% 50V (2125)
C903	1-104-555-11	s	FILM, CHIP 0.022uF 5% 16V (3216)
C910	1-126-336-11	s	ELECT 220uF 20% 25V

-----  
 \*4: LOT No. 307 through 410  
 \*8: LOT No. 307 through 708

## (CUE-1B BOARD for DVW-510P)

Ref. No. or Q'ty	Part No.	SP Description
C911	1-126-336-11	s ELECT 220uF 20% 25V
C920	1-163-033-00	s CERAMIC, CHIP 0.022uF 50V (2125)
C921	1-163-033-00	s CERAMIC, CHIP 0.022uF 50V (2125)
C922	1-124-667-11	s ELECT 10uF 20% 100V
C923	1-124-667-11	s ELECT 10uF 20% 100V
C930	1-126-395-11	s ELECT, CHIP 22uF 20% 16V
CN105	1-750-795-21	s CONNECTOR, PHEC 120P, MALE
CN900	1-506-471-11	s CONNECTOR, 6P, MALE
CN903	1-506-468-11	s CONNECTOR, 3P, MALE
D101	8-719-941-23	s DIODE DA204U
D105	8-719-941-23	s DIODE DA204U
D106	8-719-941-23	s DIODE DA204U
D107	*4 8-719-941-23	s DIODE DA204U
D108	8-719-941-23	s DIODE DA204U
D311	*4 8-719-123-82	s DIODE 1SS303
D400	8-719-404-35	s DIODE MA141WK
D401	8-719-024-81	s DIODE 1SS300
D406	*2 8-719-941-23	s DIODE DA204U
D411	8-719-941-04	s DIODE SB007-03CP
D700	8-719-941-23	s DIODE DA204U
D701	8-719-024-81	s DIODE 1SS300
D710	8-719-068-64	s DIODE MA143A
D720	8-719-068-64	s DIODE MA143A
D900	*5 8-719-941-04	s DIODE SB007-03CP
IC101	8-759-112-66	s IC UPC812G2
IC103	8-759-988-97	s IC DBX2155
IC105	8-759-106-02	s IC UPC4570G2
IC106	8-759-106-02	s IC UPC4570G2
IC108	8-759-106-02	s IC UPC4570G2
IC109	8-759-106-02	s IC UPC4570G2
IC111	8-759-512-08	s IC NJM2068M-D
IC112	8-759-106-02	s IC UPC4570G2
IC113	8-759-106-02	s IC UPC4570G2
IC116	8-759-106-02	s IC UPC4570G2
IC117	8-759-112-66	s IC UPC812G2
IC118	8-759-045-17	s IC NJM79L05UA
IC119	8-759-106-02	s IC UPC4570G2
IC320	8-759-106-02	s IC UPC4570G2
IC322	*4 8-759-673-39	s IC MM74HC02SJX
IC324	*4 8-759-700-07	s IC NJM2903M
IC401	8-759-234-08	s IC TA78L05F
IC402	8-759-045-17	s IC NJM79L05UA
IC403	8-759-673-39	s IC MM74HC02SJX
IC404	8-759-637-09	s IC M5238FP-722
IC405	*8 8-759-106-02	s IC UPC4570G2
IC406	8-759-908-17	s IC TL082CPS
IC407	8-759-700-07	s IC NJM2903M
IC500	8-759-927-29	s IC SN74HCU04ANS
IC506	8-759-673-45	s IC MM74HC08SJX
IC510	8-759-927-29	s IC SN74HCU04ANS
IC700	8-759-106-02	s IC UPC4570G2
IC701	8-759-908-17	s IC TL082CPS
IC702	8-759-106-02	s IC UPC4570G2
IC703	8-759-700-45	s IC NJM4556M-A
IC704	8-759-588-96	s IC NJM5532L-D

\*2: Board No. suffix 52 or higher  
 \*4: LOT No. 307 through 410

## (CUE-1B BOARD for DVW-510P)

Ref. No. or Q'ty	Part No.	SP Description
IC705	8-759-588-96	s IC NJM5532L-D
IC706	8-759-710-28	s IC NJM4565M-A
L700	1-412-533-21	s INDUCTOR 47uH
PS101	△ 1-532-679-00	s LINK, IC 0.6A
PS102	△ 1-532-679-00	s LINK, IC 0.6A
Q103	8-729-205-38	s TRANSISTOR 2SK208-Y
Q104	8-729-203-30	s TRANSISTOR 2SJ106-Y
Q112	*2 8-729-109-44	s TRANSISTOR 2SK94
Q119	8-729-209-07	s TRANSISTOR 2SC4213-B
Q121	8-729-209-07	s TRANSISTOR 2SC4213-B
Q123	8-729-209-07	s TRANSISTOR 2SC4213-B
Q125	8-729-209-07	s TRANSISTOR 2SC4213-B
Q404	8-729-109-44	s TRANSISTOR 2SK94
Q405	8-729-209-07	s TRANSISTOR 2SC4213-B
Q407	8-729-209-07	s TRANSISTOR 2SC4213-B
Q408	8-729-905-12	s TRANSISTOR DTA144EU
Q410	8-729-905-18	s TRANSISTOR DTC144EU
Q411	8-729-140-63	s TRANSISTOR 2SA1611-M5M6
Q700	8-729-109-44	s TRANSISTOR 2SK94
Q701	8-729-905-12	s TRANSISTOR DTA144EU
Q702	8-729-117-32	s TRANSISTOR 2SC4177-L6
Q901	8-729-143-30	s TRANSISTOR 2SD1691K
Q902	8-729-117-11	s TRANSISTOR 2SB1151-L
Q903	8-759-245-45	s IC TA78L09F
Q904	8-759-068-03	s IC NJM79L09UA
Q905	*2 8-729-140-63	s TRANSISTOR 2SA1611-M5M6
R100	1-216-025-00	s METAL, CHIP 100 5% 1/10W (2125)
R104	1-216-121-00	s METAL, CHIP 1.0M 5% 1/10W (2125)
R106	1-208-801-11	s METAL, CHIP 6.2K 0.5% 1/10W (2125)
R109	1-216-068-00	s METAL, CHIP 6.2K 5% 1/10W (2125)
R111	1-216-101-00	s METAL, CHIP 150K 5% 1/10W (2125)
R112	1-208-774-11	s METAL, CHIP 470 0.5% 1/10W (2125)
R114	1-216-049-00	s METAL, CHIP 1.0K 5% 1/10W (2125)
R115	1-208-785-11	s METAL, CHIP 1.3K 0.5% 1/10W (2125)
R118	1-216-025-00	s METAL, CHIP 100 5% 1/10W (2125)
R120	1-216-019-00	s METAL, CHIP 56 5% 1/10W (2125)
R125	1-216-659-11	s METAL, CHIP 2.2K 0.5% 1/10W (2125)
R132	1-208-784-11	s METAL, CHIP 1.2K 0.5% 1/10W (2125)
R136	1-216-655-11	s METAL, CHIP 1.5K 0.5% 1/10W (2125)
R138-141	1-216-121-00	s METAL, CHIP 1.0M 5% 1/10W (2125)
R142	1-216-687-11	s METAL, CHIP 33K 0.5% 1/10W (2125)
R144	1-216-089-00	s METAL, CHIP 47K 5% 1/10W (2125)
R147	1-216-682-11	s METAL, CHIP 20K 0.5% 1/10W (2125)
R148	1-216-675-11	s METAL, CHIP 10K 0.5% 1/10W (2125)
R149	1-216-675-11	s METAL, CHIP 10K 0.5% 1/10W (2125)
R153	1-216-071-00	s METAL, CHIP 8.2K 5% 1/10W (2125)
R154	1-216-675-11	s METAL, CHIP 10K 0.5% 1/10W (2125)
R156	1-216-081-00	s METAL, CHIP 22K 5% 1/10W (2125)
R160	1-220-238-11	s METAL, CHIP 10 5% 1/4W (3225)
R162	1-216-687-11	s METAL, CHIP 33K 0.5% 1/10W (2125)
R163	1-216-682-11	s METAL, CHIP 20K 0.5% 1/10W (2125)
R168	1-216-697-11	s METAL, CHIP 82K 0.5% 1/10W (2125)
R169	1-216-625-11	s METAL, CHIP 82 0.5% 1/10W (2125)
R171	1-216-699-11	s METAL, CHIP 100K 0.5% 1/10W (2125)

\*5: LOT No. 308 or higher  
 \*8: LOT No. 307 through 708

## (CUE-1B BOARD for DVW-510P)

Ref. No. or Q'ty	Part No.	SP	Description
R173	1-216-691-11	s	METAL, CHIP 47K 0.5% 1/10W (2125)
R174	1-216-691-11	s	METAL, CHIP 47K 0.5% 1/10W (2125)
R179	*2 1-216-089-00	s	METAL, CHIP 47K 5% 1/10W (2125)
R182	1-216-073-00	s	METAL, CHIP 10K 5% 1/10W (2125)
R184	1-216-659-11	s	METAL, CHIP 2.2K 0.5% 1/10W
R186	1-216-073-00	s	METAL, CHIP 10K 5% 1/10W (2125)
R187	1-216-675-11	s	METAL, CHIP 10K 0.5% 1/10W (2125)
R188	1-216-073-00	s	METAL, CHIP 10K 5% 1/10W (2125)
R190	1-216-073-00	s	METAL, CHIP 10K 5% 1/10W (2125)
R192	1-216-073-00	s	METAL, CHIP 10K 5% 1/10W (2125)
R194	1-216-073-00	s	METAL, CHIP 10K 5% 1/10W (2125)
R196	1-216-073-00	s	METAL, CHIP 10K 5% 1/10W (2125)
R198	1-216-675-11	s	METAL, CHIP 10K 0.5% 1/10W (2125)
R200	1-216-073-00	s	METAL, CHIP 10K 5% 1/10W (2125)
R202	1-216-073-00	s	METAL, CHIP 10K 5% 1/10W (2125)
R204	1-216-675-11	s	METAL, CHIP 10K 0.5% 1/10W (2125)
R206	1-216-053-00	s	METAL, CHIP 1.5K 5% 1/10W (2125)
R211	1-216-691-11	s	METAL, CHIP 47K 0.5% 1/10W (2125)
R212	1-216-675-11	s	METAL, CHIP 10K 0.5% 1/10W (2125)
R213	*2 1-218-772-11	s	METAL, CHIP 680K 0.5% 1/10W
	*1 1-218-756-11	s	METAL, CHIP 150K 0.5% 1/10W
R214	*2 1-216-687-11	s	METAL, CHIP 33K 0.5% 1/10W (2125)
	*1 1-208-814-11	s	METAL, CHIP 22K 0.5% 1/10W (2125)
R215	1-218-754-11	s	METAL, CHIP 120K 0.5% 1/10W
R216	1-216-675-11	s	METAL, CHIP 10K 0.5% 1/10W
R217	*2 1-218-762-11	s	METAL, CHIP 270K 0.5% 1/10W
	*1 1-218-754-11	s	METAL, CHIP 120K 0.5% 1/10W
R218	*2 1-216-687-11	s	METAL, CHIP 33K 0.5% 1/10W (2125)
	*1 1-208-824-11	s	METAL, CHIP 56K 0.5% 1/10W (2125)
R219	1-208-814-11	s	METAL, CHIP 22K 0.5% 1/10W (2125)
R220	*2 1-218-764-11	s	METAL, CHIP 330K 0.5% 1/10W
	*1 1-218-760-11	s	METAL, CHIP 220K 0.5% 1/10W
R221	1-218-774-11	s	METAL, CHIP 820K 0.5% 1/10W
R222	*2 1-218-756-11	s	METAL, CHIP 150K 0.5% 1/10W
	*1 1-216-687-11	s	METAL, CHIP 33K 0.5% 1/10W (2125)
R223	1-216-675-11	s	METAL, CHIP 10K 0.5% 1/10W (2125)
R224	1-208-814-11	s	METAL, CHIP 22K 0.5% 1/10W (2125)
R236	1-208-799-11	s	METAL, CHIP 5.1K 0.5% 1/10W
R238	1-216-655-11	s	METAL, CHIP 1.5K 0.5% 1/10W
R239	1-208-784-11	s	METAL, CHIP 1.2K 0.5% 1/10W
R240	1-216-295-00	s	METAL, CHIP 0 (2125)
R244	1-216-657-11	s	METAL, CHIP 1.8K 0.5% 1/10W
R245	1-208-801-11	s	METAL, CHIP 6.2K 0.5% 1/10W
R246	1-216-025-00	s	METAL, CHIP 100 5% 1/10W (2125)
R247	1-216-660-11	s	METAL, CHIP 2.4K 0.5% 1/10W
R248	1-216-025-00	s	METAL, CHIP 100 5% 1/10W (2125)
R253	1-216-073-00	s	METAL, CHIP 10K 5% 1/10W (2125)
R254	1-216-682-11	s	METAL, CHIP 20K 0.5% 1/10W (2125)
R256	*4 1-216-065-00	s	METAL, CHIP 4.7K 5% 1/10W (2125)
R257	*4 1-216-065-00	s	METAL, CHIP 4.7K 5% 1/10W (2125)
R258	*4 1-216-065-00	s	METAL, CHIP 4.7K 5% 1/10W (2125)
R259	1-216-071-00	s	METAL, CHIP 8.2K 5% 1/10W (2125)
R261	1-216-664-11	s	METAL, CHIP 3.6K 0.5% 1/10W
R262	*2 1-216-659-11	s	METAL, CHIP 2.2K 0.5% 1/10W
R263	1-216-295-00	s	METAL, CHIP 0 (2125)

-----  
 \*1: Board No. suffix 51 only  
 \*2: Board No. suffix 52 or higher

## (CUE-1B BOARD for DVW-510P)

Ref. No. or Q'ty	Part No.	SP	Description
R264	1-216-682-11	s	METAL, CHIP 20K 0.5% 1/10W (2125)
R265	1-216-689-11	s	METAL, CHIP 39K 0.5% 1/10W (2125)
R266	1-216-095-00	s	METAL, CHIP 82K 5% 1/10W (2125)
R267	1-216-295-00	s	METAL, CHIP 0 (2125)
R268	*2 1-216-666-11	s	METAL, CHIP 4.3K 0.5% 1/10W (2125)
R280	1-216-655-11	s	METAL, CHIP 1.5K 0.5% 1/10W (2125)
R281	1-216-655-11	s	METAL, CHIP 1.5K 0.5% 1/10W (2125)
R289	1-216-295-00	s	METAL, CHIP 0 (2125)
R290	1-216-295-00	s	METAL, CHIP 0 (2125)
R304	1-216-689-11	s	METAL, CHIP 39K 0.5% 1/10W (2125)
R352	*4 1-216-071-00	s	METAL, CHIP 8.2K 5% 1/10W (2125)
R353	*4 1-216-684-11	s	METAL, CHIP 24K 0.5% 1/10W (2125)
R354	*4 1-216-664-11	s	METAL, CHIP 3.6K 0.5% 1/10W (2125)
R355	*4 1-216-655-11	s	METAL, CHIP 1.5K 0.5% 1/10W (2125)
R356	*4 1-216-049-00	s	METAL, CHIP 1.0K 5% 1/10W (2125)
R357	*4 1-216-049-00	s	METAL, CHIP 1.0K 5% 1/10W (2125)
R358	*4 1-216-121-00	s	METAL, CHIP 1.0M 5% 1/10W (2125)
R369	*4 1-216-121-00	s	METAL, CHIP 1.0M 5% 1/10W (2125)
R400	1-216-073-00	s	METAL, CHIP 10K 5% 1/10W (2125)
R401	1-216-025-00	s	METAL, CHIP 100 5% 1/10W (2125)
R402	1-216-025-00	s	METAL, CHIP 100 5% 1/10W (2125)
R408	1-216-065-00	s	METAL, CHIP 4.7K 5% 1/10W (2125)
R409	1-216-649-11	s	METAL, CHIP 820 0.5% 1/10W (2125)
R410	1-216-635-11	s	METAL, CHIP 220 0.5% 1/10W (2125)
R411	1-216-097-00	s	METAL, CHIP 100K 5% 1/10W (2125)
R412	1-218-760-11	s	METAL, CHIP 220K 0.5% 1/10W (2125)
R413	1-216-033-00	s	METAL, CHIP 220 5% 1/10W (2125)
R414	1-216-065-00	s	METAL, CHIP 4.7K 5% 1/10W (2125)
R415	1-218-760-11	s	METAL, CHIP 220K 0.5% 1/10W (2125)
R416	1-216-121-00	s	METAL, CHIP 1.0M 5% 1/10W (2125)
R417	1-216-121-00	s	METAL, CHIP 1.0M 5% 1/10W (2125)
R418	1-216-049-00	s	METAL, CHIP 1.0K 5% 1/10W (2125)
R419	1-216-073-00	s	METAL, CHIP 10K 5% 1/10W (2125)
R420	1-216-053-00	s	METAL, CHIP 1.5K 5% 1/10W (2125)
R422	*8 1-216-097-00	s	METAL, CHIP 100K 5% 1/10W (2125)
R423	1-216-053-00	s	METAL, CHIP 1.5K 5% 1/10W (2125)
R424	*8 1-216-025-00	s	METAL, CHIP 100 5% 1/10W (2125)
R425	*8 1-216-105-11	s	METAL, CHIP 220K 5% 1/10W (2125)
R426	*8 1-216-081-00	s	METAL, CHIP 22K 5% 1/10W (2125)
R428	1-216-073-00	s	METAL, CHIP 10K 5% 1/10W (2125)
R429	*8 1-216-295-00	s	METAL, CHIP 0 (2125)
R430	1-216-049-00	s	METAL, CHIP 1.0K 5% 1/10W (2125)
R431	1-216-121-00	s	METAL, CHIP 1.0M 5% 1/10W (2125)
R432	1-216-061-00	s	METAL, CHIP 3.3K 5% 1/10W (2125)
R433	1-216-073-00	s	METAL, CHIP 10K 5% 1/10W (2125)
R434	1-216-075-00	s	METAL, CHIP 12K 5% 1/10W (2125)
R435	1-216-073-00	s	METAL, CHIP 10K 5% 1/10W (2125)
R436	1-216-121-00	s	METAL, CHIP 1.0M 5% 1/10W (2125)
R437	1-216-089-00	s	METAL, CHIP 47K 5% 1/10W (2125)
R438	1-216-065-00	s	METAL, CHIP 4.7K 5% 1/10W (2125)
R441	1-216-689-11	s	METAL, CHIP 39K 0.5% 1/10W (2125)
R442	1-216-065-00	s	METAL, CHIP 4.7K 5% 1/10W (2125)
R443	1-216-089-00	s	METAL, CHIP 47K 5% 1/10W (2125)
R449	1-216-692-11	s	METAL, CHIP 51K 0.5% 1/10W (2125)
R452	1-216-692-11	s	METAL, CHIP 51K 0.5% 1/10W (2125)
R455	1-216-089-00	s	METAL, CHIP 47K 5% 1/10W (2125)

-----  
 \*4: LOT No. 307 through 410  
 \*8: LOT No. 307 through 708

## (CUE-1B BOARD for DVW-510P)

Ref. No. or Q'ty	Part No.	SP Description
R459	1-216-073-00	s METAL, CHIP 10K 5% 1/10W (2125)
R460	1-216-067-00	s METAL, CHIP 5.6K 5% 1/10W (2125)
R461	1-216-692-11	s METAL, CHIP 51K 0.5% 1/10W (2125)
R463	1-216-049-00	s METAL, CHIP 1.0K 5% 1/10W (2125)
R464	1-216-049-00	s METAL, CHIP 1.0K 5% 1/10W (2125)
R466	*8 1-216-295-00	s METAL, CHIP 0 (2125)
R467	1-216-061-00	s METAL, CHIP 3.3K 5% 1/10W (2125)
R469	1-216-001-00	s METAL, CHIP 10 5% 1/10W (2125)
R470	1-216-001-00	s METAL, CHIP 10 5% 1/10W (2125)
R480	1-216-073-00	s METAL, CHIP 10K 5% 1/10W (2125)
R484	1-216-067-00	s METAL, CHIP 5.6K 5% 1/10W (2125)
R607	1-216-089-00	s METAL, CHIP 47K 5% 1/10W (2125)
R700	1-216-661-11	s METAL, CHIP 2.7K 0.5% 1/10W
R701	1-208-799-11	s METAL, CHIP 5.1K 0.5% 1/10W
R703	1-216-659-11	s METAL, CHIP 2.2K 0.5% 1/10W
R704	1-216-651-11	s METAL, CHIP 1.0K 0.5% 1/10W
R705	1-216-647-11	s METAL, CHIP 680 0.5% 1/10W (2125)
R706	1-216-631-11	s METAL, CHIP 150 0.5% 1/10W (2125)
R707	1-218-776-11	s METAL, CHIP 1.0M 0.5% 1/10W
R708	1-216-650-11	s METAL, CHIP 910 0.5% 1/10W (2125)
R709	1-208-774-11	s METAL, CHIP 470 0.5% 1/10W (2125)
R710	1-216-647-11	s METAL, CHIP 680 0.5% 1/10W (2125)
R711	1-208-775-11	s METAL, CHIP 510 0.5% 1/10W (2125)
R712	1-216-609-11	s METAL, CHIP 18 0.5% 1/10W (2125)
R713	1-216-121-00	s METAL, CHIP 1.0M 5% 1/10W (2125)
R714	1-216-121-00	s METAL, CHIP 1.0M 5% 1/10W (2125)
R715	1-216-677-11	s METAL, CHIP 12K 0.5% 1/10W (2125)
R716	1-216-675-11	s METAL, CHIP 10K 0.5% 1/10W (2125)
R717	1-216-081-00	s METAL, CHIP 22K 5% 1/10W (2125)
R718	1-208-800-11	s METAL, CHIP 5.6K 0.5% 1/10W
R719	1-216-675-11	s METAL, CHIP 10K 0.5% 1/10W (2125)
R721-724	1-216-667-11	s METAL, CHIP 4.7K 0.5% 1/10W
R727	1-216-675-11	s METAL, CHIP 10K 0.5% 1/10W (2125)
R728	1-216-675-11	s METAL, CHIP 10K 0.5% 1/10W
R729	1-216-651-11	s METAL, CHIP 1.0K 0.5% 1/10W
R730	1-216-675-11	s METAL, CHIP 10K 0.5% 1/10W (2125)
R731	1-216-699-11	s METAL, CHIP 100K 0.5% 1/10W
R732	1-216-675-11	s METAL, CHIP 10K 0.5% 1/10W (2125)
R733	1-216-651-11	s METAL, CHIP 1.0K 0.5% 1/10W
R734	1-216-699-11	s METAL, CHIP 100K 0.5% 1/10W
R736	1-216-651-11	s METAL, CHIP 1.0K 0.5% 1/10W
R739	1-216-619-11	s METAL, CHIP 47 0.5% 1/10W (2125)
R740	1-216-619-11	s METAL, CHIP 47 0.5% 1/10W (2125)
R741	1-216-699-11	s METAL, CHIP 100K 0.5% 1/10W
R742	1-216-699-11	s METAL, CHIP 100K 0.5% 1/10W
R743	1-216-675-11	s METAL, CHIP 10K 0.5% 1/10W (2125)
R744	1-216-682-11	s METAL, CHIP 20K 0.5% 1/10W
R745	1-208-817-11	s METAL, CHIP 30K 0.5% 1/10W (2125)
R746	1-220-242-11	s METAL, CHIP 22 5% 1/4W (3225)
R747	1-220-242-11	s METAL, CHIP 22 5% 1/4W (3225)
R748	1-216-675-11	s METAL, CHIP 10K 0.5% 1/10W (2125)
R749	1-216-675-11	s METAL, CHIP 10K 0.5% 1/10W (2125)
R750	1-220-242-11	s METAL, CHIP 22 5% 1/4W (3225)
R751	1-220-242-11	s METAL, CHIP 22 5% 1/4W (3225)
R752	1-216-675-11	s METAL, CHIP 10K 0.5% 1/10W
R753	1-216-675-11	s METAL, CHIP 10K 0.5% 1/10W

## (CUE-1B BOARD for DVW-510P)

Ref. No. or Q'ty	Part No.	SP Description
R754-757	1-216-624-11	s METAL, CHIP 75 0.5% 1/10W (2125)
R758	1-216-061-00	s METAL, CHIP 3.3K 5% 1/10W (2125)
R759	1-216-639-11	s METAL, CHIP 330 0.5% 1/10W (2125)
R760	1-216-073-00	s METAL, CHIP 10K 5% 1/10W (2125)
R761	1-216-073-00	s METAL, CHIP 10K 5% 1/10W (2125)
R762	1-216-295-00	s METAL, CHIP 0 (2125)
R763	*6 1-215-445-00	s METAL 10K 1% 1/4W
R870	1-216-073-00	s METAL, CHIP 10K 5% 1/10W (2125)
R872	1-216-073-00	s METAL, CHIP 10K 5% 1/10W (2125)
R876	1-216-073-00	s METAL, CHIP 10K 5% 1/10W (2125)
R878	1-216-073-00	s METAL, CHIP 10K 5% 1/10W (2125)
R880	1-216-073-00	s METAL, CHIP 10K 5% 1/10W (2125)
R882	1-216-073-00	s METAL, CHIP 10K 5% 1/10W (2125)
R884	1-216-073-00	s METAL, CHIP 10K 5% 1/10W (2125)
R886	1-216-073-00	s METAL, CHIP 10K 5% 1/10W (2125)
R888	1-216-073-00	s METAL, CHIP 10K 5% 1/10W (2125)
R890	1-216-295-00	s METAL, CHIP 0 (2125)
R892	1-216-073-00	s METAL, CHIP 10K 5% 1/10W (2125)
R894	1-216-295-00	s METAL, CHIP 0 (2125)
R896	1-208-789-11	s METAL, CHIP 2.0K 0.5% 1/10W (2125)
R901	*7 1-216-081-00	s METAL, CHIP 22K 5% 1/10W (2125)
	*3 1-216-089-00	s METAL, CHIP 47K 5% 1/10W (2125)
	(*3)1-216-085-00	s METAL, CHIP 33K 5% 1/10W (2125)
R903	1-216-645-11	s METAL, CHIP 560 0.5% 1/10W (2125)
R904	1-216-675-11	s METAL, CHIP 10K 0.5% 1/10W (2125)
R910	1-220-273-11	s METAL, CHIP 1.0K 5% 1/2W (4532)
R912	1-220-273-11	s METAL, CHIP 1.0K 5% 1/2W (4532)
R920	*2 1-216-049-00	s METAL, CHIP 1.0K 5% 1/10W (2125)
R921	*2 1-216-069-00	s METAL, CHIP 6.8K 5% 1/10W (2125)
R922	1-216-073-00	s METAL, CHIP 10K 5% 1/10W (2125)
R982	1-216-295-00	s METAL, CHIP 0 (2125)
R984	1-216-295-00	s METAL, CHIP 0 (2125)
R986	1-216-295-00	s METAL, CHIP 0 (2125)
R988	*4 1-216-295-00	s METAL, CHIP 0 (2125)
R990	1-216-295-00	s METAL, CHIP 0 (2125)
R992	1-216-295-00	s METAL, CHIP 0 (2125)
R994	1-216-295-00	s METAL, CHIP 0 (2125)
R996	1-216-295-00	s METAL, CHIP 0 (2125)
RV102	1-237-036-11	s RES, ADJ, CERMET 10K
RV114	1-237-037-11	s RES, ADJ, CERMET 20K
RV120	1-237-033-11	s RES, ADJ, CERMET 1K
RV122	1-237-037-11	s RES, ADJ, CERMET 20K
RV400	*8 1-237-033-11	s RES, ADJ, CERMET 1K
RV401	*8 1-237-036-11	s RES, ADJ, CERMET 10K
RV700	1-237-033-11	s RES, ADJ, CERMET 1K
RV901	1-237-038-11	s RES, ADJ, CERMET 50K
RY700	1-515-716-11	s RELAY TQ2-5V
S102	1-570-602-11	s SWITCH, DIP 2-CKT
TH100	1-810-106-11	s THERMISTOR, POSITIVE, CHIP

-----  
 \*2: Board No. suffix 52 or higher  
 \*3: LOT No. 307 through 312  
 \*4: LOT No. 307 through 410  
 \*6: LOT No. 311 through 402

-----  
 \*7: LOT No. 401 or higher  
 \*8: LOT No. 307 through 708  
 (\*3): Some Mounted circuit boards within specified "\*3"



-----  
 CUE-1BA BOARD for DVW-A510P/CA510P  
 -----

Ref. No. or Q'ty	Part No.	SP	Description
1pc	A-8275-353-A	o	MOUNTED CIRCUIT BOARD, CUE-1BAP
1pc	3-171-455-01	o	PLATE (S), SHIELD, CARD
1pc	3-171-456-02	o	SHEET (S), CARD
1pc	3-179-084-01	s	LEVER (R), PC BOARD
1pc	3-179-085-01	s	LEVER (L), PC BOARD
1pc	7-682-902-11	s	SCREW +PWH 2.6x5
2pcs	3-182-014-02	o	MAIN, CUE SHIELD CASE
C102	1-163-125-00	s	CERAMIC, CHIP 220pF 5% 50V (2125)
C103	1-135-212-21	s	TANTALUM, CHIP 2.2uF 10% 35V
C111	1-126-394-11	s	ELECT, CHIP 10uF 20% 16V
C112	1-163-235-11	s	CERAMIC, CHIP 22pF 5% 50V (2125)
C115	1-126-394-11	s	ELECT, CHIP 10uF 20% 16V
C116	1-163-243-11	s	CERAMIC, CHIP 47pF 5% 50V (2125)
C118	1-163-239-11	s	CERAMIC, CHIP 33pF 5% 50V (2125)
C120	1-126-394-11	s	ELECT, CHIP 10uF 20% 16V
C121	1-135-161-21	s	TANTALUM, CHIP 22uF 10% 10V
C122	1-104-957-11	s	ELECT 47uF 20% 25V
C124	1-104-957-11	s	ELECT 47uF 20% 25V
C125	1-163-033-00	s	CERAMIC, CHIP 0.022uF 50V (2125)
C126	1-163-133-00	s	CERAMIC, CHIP 470pF 5% 50V
C127	1-163-135-00	s	CERAMIC, CHIP 560pF 5% 50V (2125)
C130	1-163-113-00	s	CERAMIC, CHIP 68pF 5% 50V (2125)
C131	1-163-243-11	s	CERAMIC, CHIP 47pF 5% 50V (2125)
C132	1-163-113-00	s	CERAMIC, CHIP 68pF 5% 50V (2125)
C133	1-163-243-11	s	CERAMIC, CHIP 47pF 5% 50V (2125)
C135	1-135-166-21	s	TANTALUM, CHIP 47uF 10% 10V
C136	1-135-166-21	s	TANTALUM, CHIP 47uF 10% 10V
C137	1-104-553-11	s	FILM, CHIP 0.015uF 5% 16V (3216)
C138	1-104-553-11	s	FILM, CHIP 0.015uF 5% 16V (3216)
C139	1-163-125-00	s	CERAMIC, CHIP 220pF 5% 50V
C140	1-163-125-00	s	CERAMIC, CHIP 220pF 5% 50V (2125)
C141-144	1-126-394-11	s	ELECT, CHIP 10uF 20% 16V
C145	1-163-275-11	s	CERAMIC, CHIP 1000pF 5% 50V
C146	1-163-275-11	s	CERAMIC, CHIP 1000pF 5% 50V
C147	1-104-549-11	s	FILM, CHIP 0.0068uF 5% 16V
C148	1-104-549-11	s	FILM, CHIP 0.0068uF 5% 16V (2125)
C149-154	1-126-394-11	s	ELECT, CHIP 10uF 20% 16V
C155	1-104-561-11	s	FILM, CIHP 0.068uF 5% 16V (3225)
C156	1-104-561-11	s	FILM, CIHP 0.068uF 5% 16V (3225)
C157	1-163-251-11	s	CERAMIC, CHIP 100pF 5% 50V
C158	1-163-243-11	s	CERAMIC, CHIP 47pF 5% 50V (2125)
C159	1-126-394-11	s	ELECT, CHIP 10uF 20% 16V
C161	1-104-555-11	s	FILM, CHIP 0.022uF 5% 16V (3216)
C162	1-104-555-11	s	FILM, CHIP 0.022uF 5% 16V (3216)
C163	1-104-556-11	s	FILM, CHIP 0.027uF 5% 16V (3216)
C164	1-104-556-11	s	FILM, CHIP 0.027uF 5% 16V (3216)
C165	1-104-555-11	s	FILM, CHIP 0.022uF 5% 16V (3216)
C166	1-104-555-11	s	FILM, CHIP 0.022uF 5% 16V (3216)
C167	1-163-235-11	s	CERAMIC, CHIP 22pF 5% 50V (2125)
C168	1-124-667-11	s	ELECT 10uF 20% 100V
C169	1-124-667-11	s	ELECT 10uF 20% 100V
C170	1-163-033-00	s	CERAMIC, CHIP 0.022uF 50V (2125)
C171	1-163-033-00	s	CERAMIC, CHIP 0.022uF 50V (2125)
C172	1-163-033-00	s	CERAMIC, CHIP 0.022uF 50V (2125)
C173	1-104-957-11	s	ELECT 47uF 20% 25V
C174	1-104-957-11	s	ELECT 47uF 20% 25V

(CUE-1BA BOARD for DVW-A510P/CA510P)

Ref. No. or Q'ty	Part No.	SP	Description
C175	1-163-033-00	s	CERAMIC, CHIP 0.022uF 50V (2125)
C176	1-163-033-00	s	CERAMIC, CHIP 0.022uF 50V (2125)
C178	1-126-394-11	s	ELECT, CHIP 10uF 20% 16V
C180	1-135-161-21	s	TANTALUM, CHIP 22uF 10% 10V
C181	1-126-394-11	s	ELECT, CHIP 10uF 20% 16V
C182	1-126-392-11	s	ELECT, CHIP 100uF 20% 6.3V
C183	1-163-235-11	s	CERAMIC, CHIP 22pF 5% 50V (2125)
C184	1-163-033-00	s	CERAMIC, CHIP 0.022uF 50V (2125)
C185	1-126-394-11	s	ELECT, CHIP 10uF 20% 16V
C186	1-163-251-11	s	CERAMIC, CHIP 100pF 5% 50V (2125)
C187	1-104-957-11	s	ELECT 47uF 20% 25V
C188	1-163-235-11	s	CERAMIC, CHIP 22pF 5% 50V (2125)
C189	1-163-243-11	s	CERAMIC, CHIP 47pF 5% 50V (2125)
C190	1-163-033-00	s	CERAMIC, CHIP 0.022uF 50V (2125)
C191	1-104-957-11	s	ELECT 47uF 20% 25V
C192	1-163-033-00	s	CERAMIC, CHIP 0.022uF 50V (2125)
C193	1-104-539-11	s	FILM, CHIP 1000pF 5% 50V (2125)
C194	1-104-543-11	s	FILM, CHIP 0.0022uF 5% 50V (2125)
C201	1-126-394-11	s	ELECT, CHIP 10uF 20% 16V
C205	1-126-394-11	s	ELECT, CHIP 10uF 20% 16V
C342	*4 1-163-037-11	s	CERAMIC, CHIP 0.022uF 10% 25V (2125)
C343	*4 1-126-395-11	s	ELECT, CHIP 22uF 20% 16V
C400	1-124-667-11	s	ELECT 10uF 20% 100V
C401	1-124-667-11	s	ELECT 10uF 20% 100V
C403	1-163-033-00	s	CERAMIC, CHIP 0.022uF 50V (2125)
C404	1-163-033-00	s	CERAMIC, CHIP 0.022uF 50V (2125)
C406	1-104-957-11	s	ELECT 47uF 20% 25V
C407	1-104-957-11	s	ELECT 47uF 20% 25V
C408	1-163-033-00	s	CERAMIC, CHIP 0.022uF 50V (2125)
C409	1-163-033-00	s	CERAMIC, CHIP 0.022uF 50V (2125)
C412	1-126-392-11	s	ELECT, CHIP 100uF 20% 6.3V
C413	1-104-551-11	s	FILM, CHIP 0.01uF 5% 16V (2125)
C414	1-163-251-11	s	CERAMIC, CHIP 100pF 5% 50V (2125)
C416	*8 1-163-137-00	s	CERAMIC, CHIP 680pF 5% 50V (2125)
C417	1-164-232-11	s	CERAMIC, CHIP 0.01uF 10% 100V (2125)
C418	*8 1-164-182-11	s	CERAMIC, CHIP 0.033uF 10% 50V (2125)
C419	1-164-232-11	s	CERAMIC, CHIP 0.01uF 10% 100V (2125)
C421	1-163-809-11	s	CERAMIC, CHIP 0.047uF 10% 25V (2125)
C422	1-163-034-00	s	CERAMIC, CHIP 0.033uF 50V (2125)
C423	1-163-113-00	s	CERAMIC, CHIP 68pF 5% 50V (2125)
C424	1-126-394-11	s	ELECT, CHIP 10uF 20% 16V
C547	1-163-037-11	s	CERAMIC, CHIP 0.022uF 10% 25V (2125)
C700	1-126-396-11	s	ELECT, CHIP 47uF 20% 16V
C701	1-163-037-11	s	CERAMIC, CHIP 0.022uF 10% 25V (2125)
C702	1-163-251-11	s	CERAMIC, CHIP 100pF 5% 50V (2125)
C703	1-126-395-11	s	ELECT, CHIP 22uF 20% 16V
C704	1-126-395-11	s	ELECT, CHIP 22uF 20% 16V
C705	1-163-243-11	s	CERAMIC, CHIP 47pF 5% 50V (2125)
C706	1-163-235-11	s	CERAMIC, CHIP 22pF 5% 50V (2125)
C707	1-163-235-11	s	CERAMIC, CHIP 22pF 5% 50V (2125)
C708	1-126-395-11	s	ELECT, CHIP 22uF 20% 16V
C709	1-126-395-11	s	ELECT, CHIP 22uF 20% 16V
C711	1-163-251-11	s	CERAMIC, CHIP 100pF 5% 50V (2125)
C712	1-163-251-11	s	CERAMIC, CHIP 100pF 5% 50V (2125)
C713	1-126-395-11	s	ELECT, CHIP 22uF 20% 16V
C714	1-126-395-11	s	ELECT, CHIP 22uF 20% 16V

-----  
 \*4: LOT No. 307 through 410  
 \*8: LOT No. 307 through 710  
 -----

## (CUE-1BA BOARD for DVW-A510P/CA510P)

Ref. No. or Q'ty	Part No.	SP Description
C715	1-163-222-11	s CERAMIC, CHIP 5pF 50V (2125)
C716	1-124-122-11	s ELECT 100uF 20% 50V
C717	1-124-122-11	s ELECT 100uF 20% 50V
C718	1-104-539-11	s FILM, CHIP 1000pF 5% 50V (2125)
C719	1-124-667-11	s ELECT 10uF 20% 100V
C720	1-163-033-00	s CERAMIC, CHIP 0.022uF 50V (2125)
C721	1-124-667-11	s ELECT 10uF 20% 100V
C722	1-124-667-11	s ELECT 10uF 20% 100V
C901	1-104-539-11	s FILM, CHIP 1000pF 5% 50V (2125)
C902	1-104-539-11	s FILM, CHIP 1000pF 5% 50V (2125)
C903	1-104-555-11	s FILM, CHIP 0.022uF 5% 16V (3216)
C910	1-126-336-11	s ELECT 220uF 20% 25V
C911	1-126-336-11	s ELECT 220uF 20% 25V
C920	1-163-033-00	s CERAMIC, CHIP 0.022uF 50V (2125)
C921	1-163-033-00	s CERAMIC, CHIP 0.022uF 50V (2125)
C922	1-124-667-11	s ELECT 10uF 20% 100V
C923	1-124-667-11	s ELECT 10uF 20% 100V
C930	1-126-395-11	s ELECT, CHIP 22uF 20% 16V
CN105	1-750-795-21	s CONNECTOR, PHEC 120P, MALE
CN900	1-506-471-11	s CONNECTOR, 6P, MALE
CN903	1-506-468-11	s CONNECTOR, 3P, MALE
D101	8-719-941-23	s DIODE DA204U
D105	8-719-941-23	s DIODE DA204U
D106	8-719-941-23	s DIODE DA204U
D107	*4 8-719-941-23	s DIODE DA204U
D108	8-719-941-23	s DIODE DA204U
D311	*4 8-719-123-82	s DIODE 1SS303
D400	8-719-404-35	s DIODE MA141WK
D401	8-719-024-81	s DIODE 1SS300
D406	*2 8-719-941-23	s DIODE DA204U
D407	8-719-024-81	s DIODE 1SS300
D411	8-719-941-04	s DIODE SB007-03CP
D700	8-719-941-23	s DIODE DA204U
D701	8-719-024-81	s DIODE 1SS300
D710	8-719-068-64	s DIODE MA143A
D720	8-719-068-64	s DIODE MA143A
D900	*5 8-719-941-04	s DIODE SB007-03CP
IC101	8-759-112-66	s IC UPC812G2
IC103	8-759-988-97	s IC DBX2155
IC105	8-759-106-02	s IC UPC4570G2
IC106	8-759-106-02	s IC UPC4570G2
IC108	8-759-106-02	s IC UPC4570G2
IC109	8-759-106-02	s IC UPC4570G2
IC110	8-759-512-08	s IC NJM2068M-D
IC111	8-759-512-08	s IC NJM2068M-D
IC112	8-759-106-02	s IC UPC4570G2
IC113	8-759-106-02	s IC UPC4570G2
IC116	8-759-106-02	s IC UPC4570G2
IC117	8-759-112-66	s IC UPC812G2
IC118	8-759-045-17	s IC NJM79L05UA
IC119	8-759-106-02	s IC UPC4570G2
IC320	8-759-106-02	s IC UPC4570G2
IC322	*4 8-759-673-39	s IC MM74HC02SJX
IC324	*4 8-759-700-07	s IC NJM2903M
IC401	8-759-234-08	s IC TA78L05F

\*2: Board No. suffix 42 or higher  
\*4: LOT No. 307 through 410

## (CUE-1BA BOARD for DVW-A510P/CA510P)

Ref. No. or Q'ty	Part No.	SP Description
IC402	8-759-045-17	s IC NJM79L05UA
IC403	8-759-673-39	s IC MM74HC02SJX
IC404	8-759-637-09	s IC M5238FP-722
IC405	*8 8-759-106-02	s IC UPC4570G2
IC406	8-759-908-17	s IC TL082CPS
IC407	8-759-700-07	s IC NJM2903M
IC500	8-759-927-29	s IC SN74HCU04ANS
IC506	8-759-673-45	s IC MM74HC08SJX
IC510	8-759-927-29	s IC SN74HCU04ANS
IC700	8-759-106-02	s IC UPC4570G2
IC701	8-759-908-17	s IC TL082CPS
IC702	8-759-106-02	s IC UPC4570G2
IC703	8-759-700-45	s IC NJM4556M-A
IC704	8-759-588-96	s IC NJM5532L-D
IC705	8-759-588-96	s IC NJM5532L-D
IC706	8-759-710-28	s IC NJM4565M-A
L700	1-412-533-21	s INDUCTOR 47uH
PS101	Δ 1-532-679-00	s LINK, IC 0.6A
PS102	Δ 1-532-679-00	s LINK, IC 0.6A
Q103	8-729-205-38	s TRANSISTOR 2SK208-Y
Q104	8-729-203-30	s TRANSISTOR 2SJ106-Y
Q112	*2 8-729-109-44	s TRANSISTOR 2SK94
Q113	*2 8-729-109-44	s TRANSISTOR 2SK94
Q115	8-729-109-44	s TRANSISTOR 2SK94
Q116	8-729-109-44	s TRANSISTOR 2SK94
Q118	-125 8-729-209-07	s TRANSISTOR 2SC4213-B
Q133	8-729-209-07	s TRANSISTOR 2SC4213-B
Q134	8-729-209-07	s TRANSISTOR 2SC4213-B
Q404	8-729-109-44	s TRANSISTOR 2SK94
Q405	8-729-209-07	s TRANSISTOR 2SC4213-B
Q407	8-729-209-07	s TRANSISTOR 2SC4213-B
Q408	8-729-905-12	s TRANSISTOR DTA144EU
Q409	8-729-905-12	s TRANSISTOR DTA144EU
Q410	8-729-905-18	s TRANSISTOR DTC144EU
Q411	8-729-140-63	s TRANSISTOR 2SA1611-M5M6
Q423	8-729-905-18	s TRANSISTOR DTC144EU
Q424	8-729-140-63	s TRANSISTOR 2SA1611-M5M6
Q700	8-729-109-44	s TRANSISTOR 2SK94
Q701	8-729-905-12	s TRANSISTOR DTA144EU
Q702	8-729-117-32	s TRANSISTOR 2SC4177-L6
Q901	8-729-143-30	s TRANSISTOR 2SD1691K
Q902	8-729-117-11	s TRANSISTOR 2SB1151-L
Q903	8-759-245-45	s IC TA78L09F
Q904	8-759-068-03	s IC NJM79L09UA
Q905	*2 8-729-140-63	s TRANSISTOR 2SA1611-M5M6
R100	1-216-025-00	s METAL, CHIP 100 5% 1/10W (2125)
R104	1-216-121-00	s METAL, CHIP 1.0M 5% 1/10W (2125)
R106	1-208-801-11	s METAL, CHIP 6.2K 0.5% 1/10W (2125)
R109	1-216-068-00	s METAL, CHIP 6.2K 5% 1/10W (2125)
R111	1-216-101-00	s METAL, CHIP 150K 5% 1/10W (2125)
R112	1-208-774-11	s METAL, CHIP 470 0.5% 1/10W (2125)
R114	1-216-049-00	s METAL, CHIP 1.0K 5% 1/10W (2125)
R115	1-208-785-11	s METAL, CHIP 1.3K 0.5% 1/10W (2125)
R118	1-216-025-00	s METAL, CHIP 100 5% 1/10W (2125)

\*5: LOT No. 308 or higher  
\*8: LOT No. 307 through 710

(CUE-1BA BOARD for DVW-A510P/CA510P)

Ref. No. or Q'ty	Part No.	SP	Description
R120	1-216-019-00	s	METAL, CHIP 56 5% 1/10W (2125)
R125	1-216-659-11	s	METAL, CHIP 2.2K 0.5% 1/10W
R132	1-208-784-11	s	METAL, CHIP 1.2K 0.5% 1/10W
R136	1-216-655-11	s	METAL, CHIP 1.5K 0.5% 1/10W
R138-141	1-216-121-00	s	METAL, CHIP 1.0M 5% 1/10W (2125)
R142	1-216-687-11	s	METAL, CHIP 33K 0.5% 1/10W (2125)
R144	1-216-089-00	s	METAL, CHIP 47K 5% 1/10W (2125)
R147	1-216-682-11	s	METAL, CHIP 20K 0.5% 1/10W (2125)
R148	1-216-675-11	s	METAL, CHIP 10K 0.5% 1/10W (2125)
R149	1-216-675-11	s	METAL, CHIP 10K 0.5% 1/10W (2125)
R153	1-216-071-00	s	METAL, CHIP 8.2K 5% 1/10W (2125)
R154	1-216-675-11	s	METAL, CHIP 10K 0.5% 1/10W
R156	1-216-081-00	s	METAL, CHIP 22K 5% 1/10W (2125)
R160	1-220-238-11	s	METAL, CHIP 10 5% 1/4W (3225)
R162	1-216-687-11	s	METAL, CHIP 33K 0.5% 1/10W (2125)
R163	1-216-682-11	s	METAL, CHIP 20K 0.5% 1/10W (2125)
R166	1-216-697-11	s	METAL, CHIP 82K 0.5% 1/10W
R167	1-216-625-11	s	METAL, CHIP 82 0.5% 1/10W (2125)
R168	1-216-697-11	s	METAL, CHIP 82K 0.5% 1/10W (2125)
R169	1-216-625-11	s	METAL, CHIP 82 0.5% 1/10W (2125)
R170	1-216-699-11	s	METAL, CHIP 100K 0.5% 1/10W
R171	1-216-699-11	s	METAL, CHIP 100K 0.5% 1/10W
R173	1-216-691-11	s	METAL, CHIP 47K 0.5% 1/10W (2125)
R174	1-216-691-11	s	METAL, CHIP 47K 0.5% 1/10W (2125)
R175-178	1-216-121-00	s	METAL, CHIP 1.0M 5% 1/10W (2125)
R179	*2 1-216-089-00	s	METAL, CHIP 47K 5% 1/10W (2125)
R180	*2 1-216-089-00	s	METAL, CHIP 47K 5% 1/10W (2125)
R181	1-216-073-00	s	METAL, CHIP 10K 5% 1/10W (2125)
R182	1-216-073-00	s	METAL, CHIP 10K 5% 1/10W (2125)
R183	1-216-659-11	s	METAL, CHIP 2.2K 0.5% 1/10W
R184	1-216-659-11	s	METAL, CHIP 2.2K 0.5% 1/10W
R185	1-216-673-11	s	METAL, CHIP 8.2K 0.5% 1/10W
R186	1-216-073-00	s	METAL, CHIP 10K 5% 1/10W (2125)
R187	1-216-673-11	s	METAL, CHIP 8.2K 0.5% 1/10W
R188-196	1-216-073-00	s	METAL, CHIP 10K 5% 1/10W (2125)
R197	1-216-675-11	s	METAL, CHIP 10K 0.5% 1/10W (2125)
R198	1-216-675-11	s	METAL, CHIP 10K 0.5% 1/10W
R199-202	1-216-073-00	s	METAL, CHIP 10K 5% 1/10W (2125)
R203	1-216-675-11	s	METAL, CHIP 10K 0.5% 1/10W (2125)
R204	1-216-675-11	s	METAL, CHIP 10K 0.5% 1/10W (2125)
R205	1-216-631-11	s	METAL, CHIP 150 0.5% 1/10W (2125)
R206	1-216-053-00	s	METAL, CHIP 1.5K 5% 1/10W (2125)
R209	1-216-081-00	s	METAL, CHIP 22K 5% 1/10W (2125)
R211	1-216-691-11	s	METAL, CHIP 47K 0.5% 1/10W (2125)
R212	1-216-675-11	s	METAL, CHIP 10K 0.5% 1/10W (2125)
R213	*2 1-218-772-11	s	METAL, CHIP 680K 0.5% 1/10W
	*1 1-218-756-11	s	METAL, CHIP 150K 0.5% 1/10W
R214	*2 1-216-687-11	s	METAL, CHIP 33K 0.5% 1/10W (2125)
	*1 1-208-814-11	s	METAL, CHIP 22K 0.5% 1/10W (2125)
R215	1-218-754-11	s	METAL, CHIP 120K 0.5% 1/10W
R216	1-216-675-11	s	METAL, CHIP 10K 0.5% 1/10W (2125)
R217	*2 1-218-762-11	s	METAL, CHIP 270K 0.5% 1/10W
	*1 1-218-754-11	s	METAL, CHIP 120K 0.5% 1/10W
R218	*2 1-216-687-11	s	METAL, CHIP 33K 0.5% 1/10W
	*1 1-208-824-11	s	METAL, CHIP 56K 0.5% 1/10W (2125)

-----  
 \*1: Board No. suffix 41 only  
 \*2: Board No. suffix 42 or higher  
 \*3: LOT No. 307 through 312

(CUE-1BA BOARD for DVW-A510P/CA510P)

Ref. No. or Q'ty	Part No.	SP	Description
R219	1-208-814-11	s	METAL, CHIP 22K 0.5% 1/10W (2125)
R220	*2 1-218-764-11	s	METAL, CHIP 330K 0.5% 1/10W (2125)
	*1 1-218-760-11	s	METAL, CHIP 220K 0.5% 1/10W (2125)
R221	1-218-774-11	s	METAL, CHIP 820K 0.5% 1/10W (2125)
R222	*2 1-218-756-11	s	METAL, CHIP 150K 0.5% 1/10W (2125)
	*1 1-216-687-11	s	METAL, CHIP 33K 0.5% 1/10W (2125)
R223	1-216-675-11	s	METAL, CHIP 10K 0.5% 1/10W (2125)
R224	1-208-814-11	s	METAL, CHIP 22K 0.5% 1/10W (2125)
R235	1-216-081-00	s	METAL, CHIP 22K 5% 1/10W (2125)
R236	1-208-799-11	s	METAL, CHIP 5.1K 0.5% 1/10W (2125)
R238	1-216-655-11	s	METAL, CHIP 1.5K 0.5% 1/10W (2125)
R239	1-208-784-11	s	METAL, CHIP 1.2K 0.5% 1/10W (2125)
R240	1-216-295-00	s	METAL, CHIP 0 (2125)
R244	1-216-657-11	s	METAL, CHIP 1.8K 0.5% 1/10W (2125)
R245	1-208-801-11	s	METAL, CHIP 6.2K 0.5% 1/10W (2125)
R246	1-216-025-00	s	METAL, CHIP 100 5% 1/10W (2125)
R247	1-216-660-11	s	METAL, CHIP 2.4K 0.5% 1/10W (2125)
R248	1-216-025-00	s	METAL, CHIP 100 5% 1/10W (2125)
R253	1-216-073-00	s	METAL, CHIP 10K 5% 1/10W (2125)
R254	1-216-682-11	s	METAL, CHIP 20K 0.5% 1/10W (2125)
R256	*4 1-216-065-00	s	METAL, CHIP 4.7K 5% 1/10W (2125)
R257	*4 1-216-065-00	s	METAL, CHIP 4.7K 5% 1/10W (2125)
R258	*4 1-216-065-00	s	METAL, CHIP 4.7K 5% 1/10W (2125)
R259	1-216-071-00	s	METAL, CHIP 8.2K 5% 1/10W (2125)
R260	1-216-025-00	s	METAL, CHIP 100 5% 1/10W (2125)
R262	*2 1-216-659-11	s	METAL, CHIP 2.2K 0.5% 1/10W (2125)
R263	1-216-295-00	s	METAL, CHIP 0 (2125)
R264	1-216-682-11	s	METAL, CHIP 20K 0.5% 1/10W (2125)
R265	1-216-689-11	s	METAL, CHIP 39K 0.5% 1/10W (2125)
R266	1-216-095-00	s	METAL, CHIP 82K 5% 1/10W (2125)
R267	1-216-295-00	s	METAL, CHIP 0 (2125)
R268	*2 1-216-666-11	s	METAL, CHIP 4.3K 0.5% 1/10W (2125)
R269	1-216-073-00	s	METAL, CHIP 10K 5% 1/10W (2125)
R270	1-216-073-00	s	METAL, CHIP 10K 5% 1/10W (2125)
R271	1-216-073-00	s	METAL, CHIP 10K 5% 1/10W (2125)
R272	1-216-631-11	s	METAL, CHIP 150 0.5% 1/10W (2125)
R273	1-216-660-11	s	METAL, CHIP 2.4K 0.5% 1/10W (2125)
R280	1-216-655-11	s	METAL, CHIP 1.5K 0.5% 1/10W (2125)
R281	1-216-655-11	s	METAL, CHIP 1.5K 0.5% 1/10W (2125)
R282	1-216-065-00	s	METAL, CHIP 4.7K 5% 1/10W (2125)
R283	1-216-073-00	s	METAL, CHIP 10K 5% 1/10W (2125)
R289	1-216-295-00	s	METAL, CHIP 0 (2125)
R290	1-216-295-00	s	METAL, CHIP 0 (2125)
R291	1-216-295-00	s	METAL, CHIP 0 (2125)
R292	*7 1-216-053-00	s	METAL, CHIP 1.5K 5% 1/10W (2125)
	*3 1-216-057-00	s	METAL, CHIP 2.2K 5% 1/10W (2125)
R293	1-216-295-00	s	METAL, CHIP 0 (2125)
R294	*7 1-216-053-00	s	METAL, CHIP 1.5K 5% 1/10W (2125)
	*3 1-216-057-00	s	METAL, CHIP 2.2K 5% 1/10W (2125)
R296	1-216-073-00	s	METAL, CHIP 10K 5% 1/10W (2125)
R302	1-216-073-00	s	METAL, CHIP 10K 5% 1/10W (2125)
R352	*4 1-216-071-00	s	METAL, CHIP 8.2K 5% 1/10W (2125)
R353	*4 1-216-684-11	s	METAL, CHIP 24K 0.5% 1/10W (2125)
R354	*4 1-216-664-11	s	METAL, CHIP 3.6K 0.5% 1/10W (2125)
R355	*4 1-216-655-11	s	METAL, CHIP 1.5K 0.5% 1/10W (2125)

-----  
 \*4: LOT No. 307 through 410  
 \*7: LOT No. 401 or higher

(CUE-1BA BOARD for DVW-A510P/CA510P)

Ref. No. or Q'ty	Part No.	SP Description
R356	*4 1-216-049-00	s METAL, CHIP 1.0K 5% 1/10W (2125)
R357	*4 1-216-049-00	s METAL, CHIP 1.0K 5% 1/10W (2125)
R358	*4 1-216-121-00	s METAL, CHIP 1.0M 5% 1/10W (2125)
R369	*4 1-216-121-00	s METAL, CHIP 1.0M 5% 1/10W (2125)
R400	1-216-073-00	s METAL, CHIP 10K 5% 1/10W (2125)
R401	1-216-025-00	s METAL, CHIP 100 5% 1/10W (2125)
R402	1-216-025-00	s METAL, CHIP 100 5% 1/10W (2125)
R408	1-216-065-00	s METAL, CHIP 4.7K 5% 1/10W (2125)
R409	1-216-649-11	s METAL, CHIP 820 0.5% 1/10W (2125)
R410	1-216-635-11	s METAL, CHIP 220 0.5% 1/10W (2125)
R411	1-216-097-00	s METAL, CHIP 100K 5% 1/10W (2125)
R412	1-218-760-11	s METAL, CHIP 220K 0.5% 1/10W
R413	1-216-033-00	s METAL, CHIP 220 5% 1/10W (2125)
R414	1-216-065-00	s METAL, CHIP 4.7K 5% 1/10W (2125)
R415	1-218-760-11	s METAL, CHIP 220K 0.5% 1/10W
R416	1-216-121-00	s METAL, CHIP 1.0M 5% 1/10W (2125)
R417	1-216-121-00	s METAL, CHIP 1.0M 5% 1/10W (2125)
R418	1-216-049-00	s METAL, CHIP 1.0K 5% 1/10W (2125)
R419	1-216-073-00	s METAL, CHIP 10K 5% 1/10W (2125)
R420	1-216-053-00	s METAL, CHIP 1.5K 5% 1/10W (2125)
R422	*8 1-216-097-00	s METAL, CHIP 100K 5% 1/10W (2125)
R423	1-216-053-00	s METAL, CHIP 1.5K 5% 1/10W (2125)
R424	*8 1-216-025-00	s METAL, CHIP 100 5% 1/10W (2125)
R425	*8 1-216-105-11	s METAL, CHIP 220K 5% 1/10W (2125)
R426	*8 1-216-081-00	s METAL, CHIP 22K 5% 1/10W (2125)
R428	1-216-073-00	s METAL, CHIP 10K 5% 1/10W (2125)
R429	*8 1-216-295-00	s METAL, CHIP 0 (2125)
R430	1-216-049-00	s METAL, CHIP 1.0K 5% 1/10W (2125)
R431	1-216-121-00	s METAL, CHIP 1.0M 5% 1/10W (2125)
R432	1-216-061-00	s METAL, CHIP 3.3K 5% 1/10W (2125)
R433	1-216-073-00	s METAL, CHIP 10K 5% 1/10W (2125)
R434	1-216-075-00	s METAL, CHIP 12K 5% 1/10W (2125)
R435	1-216-073-00	s METAL, CHIP 10K 5% 1/10W (2125)
R436	1-216-121-00	s METAL, CHIP 1.0M 5% 1/10W (2125)
R437	1-216-089-00	s METAL, CHIP 47K 5% 1/10W (2125)
R438	1-216-065-00	s METAL, CHIP 4.7K 5% 1/10W (2125)
R441	1-216-689-11	s METAL, CHIP 39K 0.5% 1/10W (2125)
R442	1-216-065-00	s METAL, CHIP 4.7K 5% 1/10W (2125)
R443	1-216-089-00	s METAL, CHIP 47K 5% 1/10W (2125)
R449	1-216-692-11	s METAL, CHIP 51K 0.5% 1/10W (2125)
R452	1-216-692-11	s METAL, CHIP 51K 0.5% 1/10W (2125)
R455	1-216-089-00	s METAL, CHIP 47K 5% 1/10W (2125)
R459	1-216-073-00	s METAL, CHIP 10K 5% 1/10W (2125)
R460	1-216-067-00	s METAL, CHIP 5.6K 5% 1/10W (2125)
R461	1-216-692-11	s METAL, CHIP 51K 0.5% 1/10W (2125)
R463	1-216-049-00	s METAL, CHIP 1.0K 5% 1/10W (2125)
R464	1-216-049-00	s METAL, CHIP 1.0K 5% 1/10W (2125)
R466	*8 1-216-295-00	s METAL, CHIP 0 (2125)
R467	1-216-061-00	s METAL, CHIP 3.3K 5% 1/10W (2125)
R469	1-216-001-00	s METAL, CHIP 10 5% 1/10W (2125)
R470	1-216-001-00	s METAL, CHIP 10 5% 1/10W (2125)
R480	1-216-073-00	s METAL, CHIP 10K 5% 1/10W (2125)
R484	1-216-067-00	s METAL, CHIP 5.6K 5% 1/10W (2125)
R607	1-216-089-00	s METAL, CHIP 47K 5% 1/10W (2125)
R700	1-216-661-11	s METAL, CHIP 2.7K 0.5% 1/10W
R701	1-208-799-11	s METAL, CHIP 5.1K 0.5% 1/10W

\*4: LOT No. 307 through 410  
 \*8: LOT No. 311 through 402

(CUE-1BA BOARD for DVW-A510P/CA510P)

Ref. No. or Q'ty	Part No.	SP Description
R703	1-216-659-11	s METAL, CHIP 2.2K 0.5% 1/10W (2125)
R704	1-216-651-11	s METAL, CHIP 1.0K 0.5% 1/10W (2125)
R705	1-216-647-11	s METAL, CHIP 680 0.5% 1/10W (2125)
R706	1-216-631-11	s METAL, CHIP 150 0.5% 1/10W (2125)
R707	1-218-776-11	s METAL, CHIP 1.0M 0.5% 1/10W (2125)
R708	1-216-650-11	s METAL, CHIP 910 0.5% 1/10W (2125)
R709	1-208-774-11	s METAL, CHIP 470 0.5% 1/10W (2125)
R710	1-216-647-11	s METAL, CHIP 680 0.5% 1/10W (2125)
R711	1-208-775-11	s METAL, CHIP 510 0.5% 1/10W (2125)
R712	1-216-609-11	s METAL, CHIP 18 0.5% 1/10W (2125)
R713	1-216-121-00	s METAL, CHIP 1.0M 5% 1/10W (2125)
R714	1-216-121-00	s METAL, CHIP 1.0M 5% 1/10W (2125)
R715	1-216-677-11	s METAL, CHIP 12K 0.5% 1/10W (2125)
R716	1-216-675-11	s METAL, CHIP 10K 0.5% 1/10W (2125)
R717	1-216-081-00	s METAL, CHIP 22K 5% 1/10W (2125)
R718	1-208-800-11	s METAL, CHIP 5.6K 0.5% 1/10W (2125)
R719	1-216-675-11	s METAL, CHIP 10K 0.5% 1/10W (2125)
R721-724	1-216-667-11	s METAL, CHIP 4.7K 0.5% 1/10W (2125)
R727	1-216-675-11	s METAL, CHIP 10K 0.5% 1/10W (2125)
R728	1-216-675-11	s METAL, CHIP 10K 0.5% 1/10W (2125)
R729	1-216-651-11	s METAL, CHIP 1.0K 0.5% 1/10W (2125)
R730	1-216-675-11	s METAL, CHIP 10K 0.5% 1/10W (2125)
R731	1-216-699-11	s METAL, CHIP 100K 0.5% 1/10W (2125)
R732	1-216-675-11	s METAL, CHIP 10K 0.5% 1/10W (2125)
R733	1-216-651-11	s METAL, CHIP 1.0K 0.5% 1/10W (2125)
R734	1-216-699-11	s METAL, CHIP 100K 0.5% 1/10W (2125)
R736	1-216-651-11	s METAL, CHIP 1.0K 0.5% 1/10W (2125)
R739	1-216-619-11	s METAL, CHIP 47 0.5% 1/10W (2125)
R740	1-216-619-11	s METAL, CHIP 47 0.5% 1/10W (2125)
R741	1-216-699-11	s METAL, CHIP 100K 0.5% 1/10W (2125)
R742	1-216-699-11	s METAL, CHIP 100K 0.5% 1/10W (2125)
R743	1-216-675-11	s METAL, CHIP 10K 0.5% 1/10W (2125)
R744	1-216-682-11	s METAL, CHIP 20K 0.5% 1/10W (2125)
R745	1-208-817-11	s METAL, CHIP 30K 0.5% 1/10W (2125)
R746	1-220-242-11	s METAL, CHIP 22 5% 1/4W (3225)
R747	1-220-242-11	s METAL, CHIP 22 5% 1/4W (3225)
R748	1-216-675-11	s METAL, CHIP 10K 0.5% 1/10W (2125)
R749	1-216-675-11	s METAL, CHIP 10K 0.5% 1/10W (2125)
R750	1-220-242-11	s METAL, CHIP 22 5% 1/4W (3225)
R751	1-220-242-11	s METAL, CHIP 22 5% 1/4W (3225)
R752	1-216-675-11	s METAL, CHIP 10K 0.5% 1/10W (2125)
R753	1-216-675-11	s METAL, CHIP 10K 0.5% 1/10W (2125)
R754-757	1-216-624-11	s METAL, CHIP 75 0.5% 1/10W (2125)
R758	1-216-061-00	s METAL, CHIP 3.3K 5% 1/10W (2125)
R759	1-216-639-11	s METAL, CHIP 330 0.5% 1/10W (2125)
R760	1-216-073-00	s METAL, CHIP 10K 5% 1/10W (2125)
R761	1-216-073-00	s METAL, CHIP 10K 5% 1/10W (2125)
R762	1-216-295-00	s METAL, CHIP 0 (2125)
R763	*6 1-215-445-00	s METAL 10K 1% 1/4W
R870	1-216-073-00	s METAL, CHIP 10K 5% 1/10W (2125)
R872	1-216-073-00	s METAL, CHIP 10K 5% 1/10W (2125)
R876	1-216-073-00	s METAL, CHIP 10K 5% 1/10W (2125)
R878	1-216-073-00	s METAL, CHIP 10K 5% 1/10W (2125)
R880	1-216-073-00	s METAL, CHIP 10K 5% 1/10W (2125)
R882	1-216-073-00	s METAL, CHIP 10K 5% 1/10W (2125)
R884	1-216-073-00	s METAL, CHIP 10K 5% 1/10W (2125)

\*8: LOT No. 307 through 710

(CUE-1BA BOARD for DVW-A510P/CA510P)

Ref. No. or Q'ty	Part No.	SP	Description
R886	1-216-073-00	s	METAL, CHIP 10K 5% 1/10W (2125)
R888	1-216-073-00	s	METAL, CHIP 10K 5% 1/10W (2125)
R890	1-216-295-00	s	METAL, CHIP 0 (2125)
R892	1-216-073-00	s	METAL, CHIP 10K 5% 1/10W (2125)
R894	1-216-295-00	s	METAL, CHIP 0 (2125)
R896	1-208-789-11	s	METAL, CHIP 2.0K 0.5% 1/10W
R901	*7 1-216-081-00	s	METAL, CHIP 22K 5% 1/10W (2125)
	*3 1-216-089-00	s	METAL, CHIP 47K 5% 1/10W (2125)
	(*3)1-216-085-00	s	METAL, CHIP 33K 5% 1/10W (2125)
R903	1-216-645-11	s	METAL, CHIP 560 0.5% 1/10W (2125)
R904	1-216-675-11	s	METAL, CHIP 10K 0.5% 1/10W (2125)
R910	1-220-273-11	s	METAL, CHIP 1.0K 5% 1/2W (4532)
R912	1-220-273-11	s	METAL, CHIP 1.0K 5% 1/2W (4532)
R920	*2 1-216-049-00	s	METAL, CHIP 1.0K 5% 1/10W (2125)
R921	*2 1-216-069-00	s	METAL, CHIP 6.8K 5% 1/10W (2125)
R922	1-216-073-00	s	METAL, CHIP 10K 5% 1/10W (2125)
R982	1-216-295-00	s	METAL, CHIP 0 (2125)
R984	1-216-295-00	s	METAL, CHIP 0 (2125)
R986	1-216-295-00	s	METAL, CHIP 0 (2125)
R988	*4 1-216-295-00	s	METAL, CHIP 0 (2125)
R990	1-216-295-00	s	METAL, CHIP 0 (2125)
R992	1-216-295-00	s	METAL, CHIP 0 (2125)
R994	1-216-295-00	s	METAL, CHIP 0 (2125)
R996	1-216-295-00	s	METAL, CHIP 0 (2125)
RV102	1-237-036-11	s	RES, ADJ, CERMET 10K
RV106	1-237-039-11	s	RES, ADJ, CERMET 100K
RV107	1-237-039-11	s	RES, ADJ, CERMET 100K
RV108	1-237-035-11	s	RES, ADJ, CERMET 5K
RV109	*7 1-237-034-11	s	RES, ADJ, CERMET 2K
	*3 1-237-033-11	s	RES, ADJ, CERMET 1K
RV110	1-237-035-11	s	RES, ADJ, CERMET 5K
RV111	*7 1-237-034-11	s	RES, ADJ, CERMET 2K
	*3 1-237-033-11	s	RES, ADJ, CERMET 1K
RV114	1-237-037-11	s	RES, ADJ, CERMET 20K
RV120	1-237-033-11	s	RES, ADJ, CERMET 1K
RV122	1-237-037-11	s	RES, ADJ, CERMET 20K
RV400	*8 1-237-033-11	s	RES, ADJ, CERMET 1K
RV401	*8 1-237-036-11	s	RES, ADJ, CERMET 10K
RV700	1-237-033-11	s	RES, ADJ, CERMET 1K
RV901	*7 1-237-038-11	s	RES, ADJ, CERMET 50K
	*3 1-237-037-11	s	RES, ADJ, CERMET 20K
RY700	1-515-716-11	s	RELAY TQ2-5V
S101	1-570-602-11	s	SWITCH, DIP 2-CKT
S102	1-570-602-11	s	SWITCH, DIP 2-CKT
TH100	1-810-106-11	s	THERMISTOR, POSITIVE, CHIP

-----  
DIF-16B BOARD suffix 16, 31 or higher  
-----

\*a: Lot No. 907-910      \*c: Lot No. 907-912  
\*b: Lot No. 911-        \*d: Lot No. 001-

Ref. No. or Q'ty	Part No.	SP	Description
1pc	A-8275-349-B	o	MOUNTED CIRCUIT BOARD, DIF-16B
1pc	3-171-453-03	o	PLATE (L), SHIELD, CARD
1pc	3-171-454-02	o	SHEET (L), CARD
6pcs	7-682-902-11	s	SCREW +PWH 2.6X5
1pc	3-179-084-01	s	LEVER (R),PRINTED C,BOARD
1pc	3-179-085-01	s	LEVER (L),PRINTED C.BOARD
C1	1-117-229-11	s	CAP, TANTALUM ELECT 10MF(3216)
C2	1-115-169-11	s	CAP, TANTALUM ELECT 10MF(3216)
C3	1-115-169-11	s	CAP, TANTALUM ELECT 10MF(3216)
C4	1-117-373-11	s	CAP, TANTALUM ELECT 150MF
C5	1-117-373-11	s	CAP, TANTALUM ELECT 150MF
C6	1-107-826-91	s	CAP, CHIP CERAMIC 100000PF B
C7	1-107-826-91	s	CAP, CHIP CERAMIC 100000PF B
C8	1-107-826-91	s	CAP, CHIP CERAMIC 100000PF B
C9	1-107-826-91	s	CAP, CHIP CERAMIC 100000PF B
C10	1-107-826-91	s	CAP, CHIP CERAMIC 100000PF B
C11	1-107-826-91	s	CAP, CHIP CERAMIC 100000PF B
C12	1-107-826-91	s	CAP, CHIP CERAMIC 100000PF B
C13	1-107-826-91	s	CAP, CHIP CERAMIC 100000PF B
C14	1-115-169-11	s	CAP, TANTALUM ELECT 10MF(3216)
C15	1-107-826-91	s	CAP, CHIP CERAMIC 100000PF B
C16	1-107-826-91	s	CAP, CHIP CERAMIC 100000PF B
C17	1-107-826-91	s	CAP, CHIP CERAMIC 100000PF B
C18	1-107-826-91	s	CAP, CHIP CERAMIC 100000PF B
C19	1-107-826-91	s	CAP, CHIP CERAMIC 100000PF B
C20	1-107-826-91	s	CAP, CHIP CERAMIC 100000PF B
C21	1-115-416-11	s	CAP,CHIP CERAMIC1000PF CH 1608
C22	1-107-826-91	s	CAP, CHIP CERAMIC 100000PF B
C23	1-107-826-91	s	CAP, CHIP CERAMIC 100000PF B
C24	1-107-826-91	s	CAP, CHIP CERAMIC 100000PF B
C25	1-115-169-11	s	CAP, TANTALUM ELECT 10MF(3216)
C26	1-107-826-91	s	CAP, CHIP CERAMIC 100000PF B
C27	1-107-826-91	s	CAP, CHIP CERAMIC 100000PF B
C28	1-115-169-11	s	CAP, TANTALUM ELECT 10MF(3216)
C501	1-115-169-11	s	CAP, TANTALUM ELECT 10MF(3216)
C502	1-107-826-91	s	CAP, CHIP CERAMIC 100000PF B
C503	1-115-169-11	s	CAP, TANTALUM ELECT 10MF(3216)
C504	1-115-169-11	s	CAP, TANTALUM ELECT 10MF(3216)
C505	1-107-826-91	s	CAP, CHIP CERAMIC 100000PF B
C506	1-107-826-91	s	CAP, CHIP CERAMIC 100000PF B
C507	1-107-826-91	s	CAP, CHIP CERAMIC 100000PF B
C508	1-107-826-91	s	CAP, CHIP CERAMIC 100000PF B
C509	1-107-826-91	s	CAP, CHIP CERAMIC 100000PF B
C510	1-107-826-91	s	CAP, CHIP CERAMIC 100000PF B
C511	1-107-826-91	s	CAP, CHIP CERAMIC 100000PF B
C512	1-164-230-11	s	CAP,CERAMIC 220PF CH 1608
C513	1-164-230-11	s	CAP,CERAMIC 220PF CH 1608
C515	1-107-826-91	s	CAP, CHIP CERAMIC 100000PF B
C516	1-107-826-91	s	CAP, CHIP CERAMIC 100000PF B
C517	1-135-179-21	s	CAP,CHIP TANTALUM ELECT 2.2MF
C518	1-135-179-21	s	CAP,CHIP TANTALUM ELECT 2.2MF
C520	1-107-826-91	s	CAP, CHIP CERAMIC 100000PF B
C521	1-107-826-91	s	CAP, CHIP CERAMIC 100000PF B
C530	1-107-826-91	s	CAP, CHIP CERAMIC 100000PF B
C601	1-107-826-91	s	CAP, CHIP CERAMIC 100000PF B
C602	1-107-826-91	s	CAP, CHIP CERAMIC 100000PF B
C603	1-107-826-91	s	CAP, CHIP CERAMIC 100000PF B
C604	1-107-826-91	s	CAP, CHIP CERAMIC 100000PF B

-----  
 \*2: Board No. suffix 42 or higher  
 \*3: LOT No. 307 through 312  
 \*4: LOT No. 307 through 410  
 \*7: LOT No. 401 or higher  
 \*8: LOT No. 307 through 710  
 (\*3): Some Mounted circuit boards within specified "\*3"  
 -----

(DIF-16B BOARD suffix 16, 31 or higher)

(DIF-16B BOARD suffix 16, 31 or higher)

Ref. No. or Q'ty	Part No.	SP Description
C605	1-107-826-91	s CAP, CHIP CERAMIC 100000PF B
C606	1-107-826-91	s CAP, CHIP CERAMIC 100000PF B
C607	1-107-826-91	s CAP, CHIP CERAMIC 100000PF B
C608	1-107-826-91	s CAP, CHIP CERAMIC 100000PF B
C609	1-107-826-91	s CAP, CHIP CERAMIC 100000PF B
C610	1-107-826-91	s CAP, CHIP CERAMIC 100000PF B
C701	1-107-826-91	s CAP, CHIP CERAMIC 100000PF B
C702	1-107-826-91	s CAP, CHIP CERAMIC 100000PF B
C713	1-107-826-91	s CAP, CHIP CERAMIC 100000PF B
C714	1-107-826-91	s CAP, CHIP CERAMIC 100000PF B
C801	1-107-826-91	s CAP, CHIP CERAMIC 100000PF B
C802	1-107-826-91	s CAP, CHIP CERAMIC 100000PF B
C803	1-115-169-11	s CAP, TANTALUM ELECT 10MF(3216)
C804	1-107-826-91	s CAP, CHIP CERAMIC 100000PF B
C805	1-117-373-11	s CAP, TANTALUM ELECT 150MF
C806	1-107-826-91	s CAP, CHIP CERAMIC 100000PF B
C807	1-107-826-91	s CAP, CHIP CERAMIC 100000PF B
C809	1-107-826-91	s CAP, CHIP CERAMIC 100000PF B
C811	1-117-373-11	s CAP, TANTALUM ELECT 150MF
C812	1-117-232-11	s CAP, TANTALUM ELECT 22MF(3216)
C813	1-107-826-91	s CAP, CHIP CERAMIC 100000PF B
C814	1-107-826-91	s CAP, CHIP CERAMIC 100000PF B
C815	1-107-826-91	s CAP, CHIP CERAMIC 100000PF B
C816	1-107-826-91	s CAP, CHIP CERAMIC 100000PF B
C817	1-107-826-91	s CAP, CHIP CERAMIC 100000PF B
C818	1-107-826-91	s CAP, CHIP CERAMIC 100000PF B
C819	1-115-169-11	s CAP, TANTALUM ELECT 10MF(3216)
C820	1-107-826-91	s CAP, CHIP CERAMIC 100000PF B
C821	1-107-826-91	s CAP, CHIP CERAMIC 100000PF B
C822	1-107-826-91	s CAP, CHIP CERAMIC 100000PF B
C824	1-107-826-91	s CAP, CHIP CERAMIC 100000PF B
C825	1-107-826-91	s CAP, CHIP CERAMIC 100000PF B
C826	1-107-826-91	s CAP, CHIP CERAMIC 100000PF B
C827	1-107-826-91	s CAP, CHIP CERAMIC 100000PF B
C828	1-107-826-91	s CAP, CHIP CERAMIC 100000PF B
C829	1-107-826-91	s CAP, CHIP CERAMIC 100000PF B
C830	1-107-826-91	s CAP, CHIP CERAMIC 100000PF B
C831	1-162-915-11	s CAP, CERAMIC 10PF CH 1608
C832	1-107-826-91	s CAP, CHIP CERAMIC 100000PF B
C833	1-107-826-91	s CAP, CHIP CERAMIC 100000PF B
C835	1-107-826-91	s CAP, CHIP CERAMIC 100000PF B
C836	1-162-911-11	s CAP, CERAMIC 6.0PF CH 1608
C837	1-107-826-91	s CAP, CHIP CERAMIC 100000PF B
C838	1-107-826-91	s CAP, CHIP CERAMIC 100000PF B
C840	1-107-826-91	s CAP, CHIP CERAMIC 100000PF B
C841	1-107-826-91	s CAP, CHIP CERAMIC 100000PF B
C842	1-107-826-91	s CAP, CHIP CERAMIC 100000PF B
C843	1-107-826-91	s CAP, CHIP CERAMIC 100000PF B
C844	1-107-826-91	s CAP, CHIP CERAMIC 100000PF B
C845	1-107-826-91	s CAP, CHIP CERAMIC 100000PF B
C846	1-107-826-91	s CAP, CHIP CERAMIC 100000PF B
C848	1-107-826-91	s CAP, CHIP CERAMIC 100000PF B
C849	1-107-826-91	s CAP, CHIP CERAMIC 100000PF B
C850	1-107-826-91	s CAP, CHIP CERAMIC 100000PF B
C851	1-115-169-11	s CAP, TANTALUM ELECT 10MF(3216)
C852	1-107-826-91	s CAP, CHIP CERAMIC 100000PF B
C853	1-162-907-11	s CAP, CERAMIC 2.0PF CK 1608
C854	1-162-907-11	s CAP, CERAMIC 2.0PF CK 1608
C855	1-162-907-11	s CAP, CERAMIC 2.0PF CK 1608

Ref. No. or Q'ty	Part No.	SP Description
C901	1-107-826-91	s CAP, CHIP CERAMIC 100000PF B
C902	1-107-826-91	s CAP, CHIP CERAMIC 100000PF B
C903	1-115-169-11	s CAP, TANTALUM ELECT 10MF(3216)
C904	1-107-826-91	s CAP, CHIP CERAMIC 100000PF B
C905	1-117-373-11	s CAP, TANTALUM ELECT 150MF
C906	1-107-826-91	s CAP, CHIP CERAMIC 100000PF B
C907	1-107-826-91	s CAP, CHIP CERAMIC 100000PF B
C909	1-107-826-91	s CAP, CHIP CERAMIC 100000PF B
C911	1-117-373-11	s CAP, TANTALUM ELECT 150MF
C912	1-117-232-11	s CAP, TANTALUM ELECT 22MF(3216)
C913	1-107-826-91	s CAP, CHIP CERAMIC 100000PF B
C914	1-107-826-91	s CAP, CHIP CERAMIC 100000PF B
C915	1-107-826-91	s CAP, CHIP CERAMIC 100000PF B
C916	1-107-826-91	s CAP, CHIP CERAMIC 100000PF B
C917	1-107-826-91	s CAP, CHIP CERAMIC 100000PF B
C918	1-107-826-91	s CAP, CHIP CERAMIC 100000PF B
C919	1-115-169-11	s CAP, TANTALUM ELECT 10MF(3216)
C920	1-107-826-91	s CAP, CHIP CERAMIC 100000PF B
C921	1-107-826-91	s CAP, CHIP CERAMIC 100000PF B
C922	1-107-826-91	s CAP, CHIP CERAMIC 100000PF B
C923	1-107-826-91	s CAP, CHIP CERAMIC 100000PF B
C924	1-107-826-91	s CAP, CHIP CERAMIC 100000PF B
C925	1-107-826-91	s CAP, CHIP CERAMIC 100000PF B
C926	1-107-826-91	s CAP, CHIP CERAMIC 100000PF B
C927	1-107-826-91	s CAP, CHIP CERAMIC 100000PF B
C928	1-107-826-91	s CAP, CHIP CERAMIC 100000PF B
C929	1-107-826-91	s CAP, CHIP CERAMIC 100000PF B
C930	1-107-826-91	s CAP, CHIP CERAMIC 100000PF B
C931	1-162-915-11	s CAP, CERAMIC 10PF CH 1608
C932	1-107-826-91	s CAP, CHIP CERAMIC 100000PF B
C933	1-107-826-91	s CAP, CHIP CERAMIC 100000PF B
C934	1-107-826-91	s CAP, CHIP CERAMIC 100000PF B
C935	1-162-911-11	s CAP, CERAMIC 6.0PF CH 1608
C936	1-107-826-91	s CAP, CHIP CERAMIC 100000PF B
C937	1-107-826-91	s CAP, CHIP CERAMIC 100000PF B
C938	1-107-826-91	s CAP, CHIP CERAMIC 100000PF B
C939	1-107-826-91	s CAP, CHIP CERAMIC 100000PF B
C940	1-107-826-91	s CAP, CHIP CERAMIC 100000PF B
C941	1-107-826-91	s CAP, CHIP CERAMIC 100000PF B
C942	1-107-826-91	s CAP, CHIP CERAMIC 100000PF B
C943	1-107-826-91	s CAP, CHIP CERAMIC 100000PF B
C944	1-115-169-11	s CAP, TANTALUM ELECT 10MF(3216)
C945	1-162-907-11	s CAP, CERAMIC 2.0PF CK 1608
CN110	1-573-600-21	s CONNECTOR, PC BOARD (PLUG)100P
CN112	1-573-600-21	s CONNECTOR, PC BOARD (PLUG)100P
CN450	1-750-880-11	s RECEPTACLE, COAXIAL CONNECTOR
CN451	1-750-880-11	s RECEPTACLE, COAXIAL CONNECTOR
CN452	1-750-880-11	s RECEPTACLE, COAXIAL CONNECTOR
CN456	1-750-880-11	s RECEPTACLE, COAXIAL CONNECTOR
D1	8-719-056-65	s DIODE 1SS372-TE85L
D2	8-719-056-65	s DIODE 1SS372-TE85L
D3	8-719-056-65	s DIODE 1SS372-TE85L
D5	8-719-404-35	s DIODE 1SS301-TE85L
D6	8-719-404-35	s DIODE 1SS301-TE85L
D100	8-719-071-10	s DIODE CL-191HR-CD-T
D101	8-719-071-10	s DIODE CL-191HR-CD-T
D102	8-719-064-52	s DIODE CL-191YG-CD-T
D501	8-719-056-65	s DIODE 1SS372-TE85L

(DIF-16B BOARD suffix 16, 31 or higher)

Ref. No. or Q'ty	Part No.	SP	Description
D502	8-719-056-65	s	DIODE 1SS372-TE85L
D504	8-719-056-65	s	DIODE 1SS372-TE85L
D505	8-719-056-65	s	DIODE 1SS372-TE85L
D507	8-719-064-52	s	DIODE CL-191YG-CD-T
D508	8-719-064-52	s	DIODE CL-191YG-CD-T
F400	▲ 1-533-272-11	s	FUSE, CHIP
FB801	1-414-864-11	s	FERRITE, EMI (SMD)
FB802	1-414-864-11	s	FERRITE, EMI (SMD)
FB803	1-414-864-11	s	FERRITE, EMI (SMD)
FB804	1-414-864-11	s	FERRITE, EMI (SMD)
FB805	1-414-864-11	s	FERRITE, EMI (SMD)
FB806	1-414-864-11	s	FERRITE, EMI (SMD)
FB807	1-414-864-11	s	FERRITE, EMI (SMD)
FB901	1-414-864-11	s	FERRITE, EMI (SMD)
FB902	1-414-864-11	s	FERRITE, EMI (SMD)
FB903	1-414-864-11	s	FERRITE, EMI (SMD)
FB904	1-414-864-11	s	FERRITE, EMI (SMD)
FB905	1-414-864-11	s	FERRITE, EMI (SMD)
FB906	1-414-864-11	s	FERRITE, EMI (SMD)
IC1	8-759-491-46	s	IC TC74VHC04FT(EL)
IC2	8-759-524-50	s	IC TC74VHC541FT(EL)
IC3	8-759-392-77	s	IC TC74LCX245FT(EL)
IC4	8-759-524-50	s	IC TC74VHC541FT(EL)
IC5	8-759-082-58	s	IC TC7W08FU(Te12R)
IC6	8-759-524-51	s	IC TC74VHC573FT(EL)
IC7	8-759-524-07	s	IC TC74VHC138FT(EL)
IC8	8-759-524-07	s	IC TC74VHC138FT(EL)
IC10	8-759-524-52	s	IC TC74VHC574FT(EL)
IC11	8-759-524-52	s	IC TC74VHC574FT(EL)
IC12	8-759-523-96	s	IC TC74VHC86FT(EL)
IC13	8-759-271-86	s	IC TC7SH04FU-TE85R
IC14	8-759-523-94	s	IC TC74VHC32FT(EL)
IC15	8-759-082-58	s	IC TC7W08FU(Te12R)
IC16	8-759-082-58	s	IC TC7W08FU(Te12R)
IC119	8-759-519-12	s	IC CXD8281Q
IC123	8-759-172-73	s	IC CXD8385Q
IC126	8-752-078-32	s	IC CXB1341R
IC501	8-759-392-77	s	IC TC74LCX245FT(EL)
IC502	8-759-392-77	s	IC TC74LCX245FT(EL)
IC503	8-759-392-77	s	IC TC74LCX245FT(EL)
IC504	8-759-277-19	s	IC UPD485505G-35-E2
IC505	8-759-277-19	s	IC UPD485505G-35-E2
IC506	8-759-490-41	s	IC TC74VHCT541AFT(EL)
IC507	8-759-524-50	s	IC TC74VHC541FT(EL)
IC508	8-759-523-95	s	IC TC74VHC74FT(EL)
IC509	8-759-523-95	s	IC TC74VHC74FT(EL)
IC510	8-759-523-96	s	IC TC74VHC86FT(EL)
IC511	8-759-531-92	s	IC TC7WH04FU(Te12R)
IC512	8-759-491-46	s	IC TC74VHC04FT(EL)
IC513	8-759-271-86	s	IC TC7SH04FU-TE85R
IC602	8-759-430-21	s	IC MSM6524GS-KR1
IC700	8-759-179-75	s	IC CXD8845Q
IC701	8-752-078-32	s	IC CXB1341R
IC704	8-759-271-86	s	IC TC7SH04FU-TE85R
IC705	8-759-271-86	s	IC TC7SH04FU-TE85R
IC801	8-759-524-50	s	IC TC74VHC541FT(EL)
IC802	8-759-524-50	s	IC TC74VHC541FT(EL)
IC803	8-759-052-52	s	IC L78M05TLL-SONY-TL

(DIF-16B BOARD suffix 16, 31 or higher)

Ref. No. or Q'ty	Part No.	SP	Description
IC804	8-759-337-40	s	IC NJM2904V(TE2)
IC805	8-759-460-72	s	IC BA033FP-E2
IC901	8-759-524-50	s	IC TC74VHC541FT(EL)
IC902	8-759-524-50	s	IC TC74VHC541FT(EL)
IC903	8-759-052-52	s	IC L78M05TLL-SONY-TL
IC905	8-759-460-72	s	IC BA033FP-E2
L1	1-409-579-11	s	COIL, CHOKE 8.2UH
L2	1-409-579-11	s	COIL, CHOKE 8.2UH
L3	1-410-381-11	s	CHIP INDUCTOR 10UH
L501	1-410-803-11	s	CHIP INDUCTOR 0.047UH
L502	1-410-803-11	s	CHIP INDUCTOR 0.047UH
L503	1-410-803-11	s	CHIP INDUCTOR 0.047UH
Q802	8-729-140-63	s	TRANSISTOR 2SA1611T1-M5M6
Q803	8-729-043-92	s	TRANSISTOR 2SC5084-0(TE85L)
Q804	8-729-043-92	s	TRANSISTOR 2SC5084-0(TE85L)
Q806	8-729-043-92	s	TRANSISTOR 2SC5084-0(TE85L)
Q807	8-729-043-92	s	TRANSISTOR 2SC5084-0(TE85L)
Q809	8-729-043-92	s	TRANSISTOR 2SC5084-0(TE85L)
Q811	8-729-043-92	s	TRANSISTOR 2SC5084-0(TE85L)
Q813	8-729-043-92	s	TRANSISTOR 2SC5084-0(TE85L)
Q902	8-729-140-63	s	TRANSISTOR 2SA1611T1-M5M6
Q903	8-729-043-92	s	TRANSISTOR 2SC5084-0(TE85L)
Q904	8-729-043-92	s	TRANSISTOR 2SC5084-0(TE85L)
Q905	8-729-043-92	s	TRANSISTOR 2SC5084-0(TE85L)
Q906	8-729-043-92	s	TRANSISTOR 2SC5084-0(TE85L)
Q907	8-729-043-92	s	TRANSISTOR 2SC5084-0(TE85L)
Q908	8-729-043-92	s	TRANSISTOR 2SC5084-0(TE85L)
R1	1-218-716-11	s	RES, METAL FILM CHIP 10K
R2	1-216-864-11	s	CONDUCTOR, CHIP (1608)
R3	1-216-864-11	s	CONDUCTOR, CHIP (1608)
R4	1-216-864-11	s	CONDUCTOR, CHIP (1608)
R5	1-218-692-11	s	RES, METAL FILM CHIP 1.0K
R6	1-218-740-11	s	RES, METAL FILM CHIP 100K
R7	1-218-692-11	s	RES, METAL FILM CHIP 1.0K
R10	1-218-736-11	s	RES, METAL FILM CHIP 68K
R11	1-218-716-11	s	RES, METAL FILM CHIP 10K
R12	1-218-742-11	s	RES, METAL FILM CHIP 120K
R14	1-216-864-11	s	CONDUCTOR, CHIP (1608)
R15	1-218-700-11	s	RES, METAL FILM CHIP 2.2K
R16	1-218-700-11	s	RES, METAL FILM CHIP 2.2K
R17	1-218-660-91	s	RES, METAL FILM CHIP 47
R18	1-218-660-91	s	RES, METAL FILM CHIP 47
R19	1-218-692-11	s	RES, METAL FILM CHIP 1.0K
R20	1-218-700-11	s	RES, METAL FILM CHIP 2.2K
R304	1-216-864-11	s	CONDUCTOR, CHIP (1608)
R305	1-216-864-11	s	CONDUCTOR, CHIP (1608)
R501	1-218-660-91	s	RES, METAL FILM CHIP 47
R502	1-218-660-91	s	RES, METAL FILM CHIP 47
R503	1-218-660-91	s	RES, METAL FILM CHIP 47
R504	1-218-660-91	s	RES, METAL FILM CHIP 47
R505	1-218-660-91	s	RES, METAL FILM CHIP 47
R506	1-218-660-91	s	RES, METAL FILM CHIP 47
R507	1-216-864-11	s	CONDUCTOR, CHIP (1608)
R508	1-218-722-11	s	RES, METAL FILM CHIP 18K
R509	1-218-722-11	s	RES, METAL FILM CHIP 18K
R510	1-216-864-11	s	CONDUCTOR, CHIP (1608)
R511	1-218-740-11	s	RES, METAL FILM CHIP 100K

(DIF-16B BOARD suffix 16, 31 or higher)

Ref. No. or Q'ty	Part No.	SP Description
R512	1-218-740-11	s RES, METAL FILM CHIP 100K
R513	1-216-864-11	s CONDUCTOR, CHIP (1608)
R514	1-218-668-11	s RES, METAL FILM CHIP 100
R515	1-218-668-11	s RES, METAL FILM CHIP 100
R516	*d 1-218-700-11	s RES, METAL FILM CHIP 2.2K
	*c 1-218-676-11	s RES, METAL FILM CHIP 220
R517	*d 1-218-700-11	s RES, METAL FILM CHIP 2.2K
	*c 1-218-676-11	s RES, METAL FILM CHIP 220
R601	1-218-660-91	s RES, METAL FILM CHIP 47
R602	1-216-864-11	s CONDUCTOR, CHIP (1608)
R603	1-216-864-11	s CONDUCTOR, CHIP (1608)
R604	1-216-864-11	s CONDUCTOR, CHIP (1608)
R605	1-216-864-11	s CONDUCTOR, CHIP (1608)
R607	1-216-864-11	s CONDUCTOR, CHIP (1608)
R608	1-218-660-91	s RES, METAL FILM CHIP 47
R611	1-218-660-91	s RES, METAL FILM CHIP 47
R612	1-216-864-11	s CONDUCTOR, CHIP (1608)
R701	1-218-728-11	s RES, METAL FILM CHIP 33K
R702	1-218-728-11	s RES, METAL FILM CHIP 33K
R703	1-218-676-11	s RES, METAL FILM CHIP 220
R704	1-218-676-11	s RES, METAL FILM CHIP 220
R705	1-218-660-91	s RES, METAL FILM CHIP 47
R706	1-218-660-91	s RES, METAL FILM CHIP 47
R707	1-218-660-91	s RES, METAL FILM CHIP 47
R804	1-216-864-11	s CONDUCTOR, CHIP (1608)
R807	*b 1-218-708-11	s RES, METAL FILM CHIP 4.7K
	*a 1-218-711-11	s RES, METAL FILM CHIP 6.2K
R808	1-218-701-11	s RES, METAL FILM CHIP 2.4K
R809	1-218-710-91	s RES, METAL FILM CHIP 5.6K
R810	*b 1-218-697-11	s RES, METAL FILM CHIP 1.6K
	*a 1-218-678-11	s RES, METAL FILM CHIP 270
R812	1-218-660-91	s RES, METAL FILM CHIP 47
R814	1-218-712-11	s RES, METAL FILM CHIP 6.8K
R817	1-216-864-11	s CONDUCTOR, CHIP (1608)
R818	1-218-718-11	s RES, METAL FILM CHIP 12K
R819	1-218-684-11	s RES, METAL FILM CHIP 470
R820	1-218-720-11	s RES, METAL FILM CHIP 15K
R821	1-218-720-11	s RES, METAL FILM CHIP 15K
R822	1-218-700-11	s RES, METAL FILM CHIP 2.2K
R823	1-218-700-11	s RES, METAL FILM CHIP 2.2K
R824	1-218-696-11	s RES, METAL FILM CHIP 1.5K
R825	1-218-700-11	s RES, METAL FILM CHIP 2.2K
R827	1-218-678-11	s RES, METAL FILM CHIP 270
R828	1-218-660-91	s RES, METAL FILM CHIP 47
R829	1-218-660-91	s RES, METAL FILM CHIP 47
R830	1-218-692-11	s RES, METAL FILM CHIP 1.0K
R831	1-218-660-91	s RES, METAL FILM CHIP 47
R832	1-218-678-11	s RES, METAL FILM CHIP 270
R833	1-218-660-91	s RES, METAL FILM CHIP 47
R835	1-216-610-11	s RES, METAL FILM CHIP 20
R836	1-216-618-11	s RES, METAL FILM CHIP 43
R837	1-216-623-11	s RES, METAL FILM CHIP 68
R838	1-218-674-11	s RES, METAL FILM CHIP 180
R839	1-216-612-11	s RES, METAL FILM CHIP 24
R840	1-216-618-11	s RES, METAL FILM CHIP 43
R843	1-218-678-11	s RES, METAL FILM CHIP 270
R845	1-216-623-11	s RES, METAL FILM CHIP 68
R846	1-216-612-11	s RES, METAL FILM CHIP 24
R847	1-216-649-11	s RES, METAL FILM CHIP 820

(DIF-16B BOARD suffix 16, 31 or higher)

Ref. No. or Q'ty	Part No.	SP Description
R850	1-218-711-11	s RES, METAL FILM CHIP 6.2K
R851	1-218-716-11	s RES, METAL FILM CHIP 10K
R852	1-218-644-11	s RES, METAL FILM CHIP 10
R853	1-218-644-11	s RES, METAL FILM CHIP 10
R854	1-218-644-11	s RES, METAL FILM CHIP 10
R855	1-218-660-91	s RES, METAL FILM CHIP 47
R857	1-216-631-11	s RES, METAL FILM CHIP 150
R859	1-216-631-11	s RES, METAL FILM CHIP 150
R862	1-216-631-11	s RES, METAL FILM CHIP 150
R863	1-218-692-11	s RES, METAL FILM CHIP 1.0K
R864	1-218-692-11	s RES, METAL FILM CHIP 1.0K
R865	1-218-692-11	s RES, METAL FILM CHIP 1.0K
R866	1-218-664-11	s RES, METAL FILM CHIP 68
R867	1-218-664-11	s RES, METAL FILM CHIP 68
R868	1-218-664-11	s RES, METAL FILM CHIP 68
R904	1-216-864-11	s CONDUCTOR, CHIP (1608)
R907	*b 1-218-708-11	s RES, METAL FILM CHIP 4.7K
	*a 1-218-711-11	s RES, METAL FILM CHIP 6.2K
R908	1-218-701-11	s RES, METAL FILM CHIP 2.4K
R909	1-218-710-91	s RES, METAL FILM CHIP 5.6K
R910	*b 1-218-697-11	s RES, METAL FILM CHIP 1.6K
	*a 1-218-678-11	s RES, METAL FILM CHIP 270
R912	1-218-660-91	s RES, METAL FILM CHIP 47
R914	1-218-712-11	s RES, METAL FILM CHIP 6.8K
R917	1-216-864-11	s CONDUCTOR, CHIP (1608)
R918	1-218-718-11	s RES, METAL FILM CHIP 12K
R919	1-218-684-11	s RES, METAL FILM CHIP 470
R920	1-218-720-11	s RES, METAL FILM CHIP 15K
R921	1-218-720-11	s RES, METAL FILM CHIP 15K
R922	1-218-700-11	s RES, METAL FILM CHIP 2.2K
R923	1-218-700-11	s RES, METAL FILM CHIP 2.2K
R924	1-218-696-11	s RES, METAL FILM CHIP 1.5K
R925	1-218-700-11	s RES, METAL FILM CHIP 2.2K
R927	1-218-678-11	s RES, METAL FILM CHIP 270
R928	1-218-660-91	s RES, METAL FILM CHIP 47
R929	1-218-660-91	s RES, METAL FILM CHIP 47
R930	1-218-692-11	s RES, METAL FILM CHIP 1.0K
R931	1-218-660-91	s RES, METAL FILM CHIP 47
R932	1-218-678-11	s RES, METAL FILM CHIP 270
R933	1-218-660-91	s RES, METAL FILM CHIP 47
R934	1-216-610-11	s RES, METAL FILM CHIP 20
R935	1-216-618-11	s RES, METAL FILM CHIP 43
R936	1-216-623-11	s RES, METAL FILM CHIP 68
R937	1-218-674-11	s RES, METAL FILM CHIP 180
R938	1-216-612-11	s RES, METAL FILM CHIP 24
R939	1-216-618-11	s RES, METAL FILM CHIP 43
R940	1-218-678-11	s RES, METAL FILM CHIP 270
R941	1-216-623-11	s RES, METAL FILM CHIP 68
R942	1-216-612-11	s RES, METAL FILM CHIP 24
R943	1-216-649-11	s RES, METAL FILM CHIP 820
R944	1-218-660-91	s RES, METAL FILM CHIP 47
R945	1-218-660-91	s RES, METAL FILM CHIP 47
R946	1-218-660-91	s RES, METAL FILM CHIP 47
R947	1-218-711-11	s RES, METAL FILM CHIP 6.2K
R948	1-218-716-11	s RES, METAL FILM CHIP 10K
R949	1-216-631-11	s RES, METAL FILM CHIP 150
R950	1-216-631-11	s RES, METAL FILM CHIP 150
R951	1-218-692-11	s RES, METAL FILM CHIP 1.0K
R952	1-218-664-11	s RES, METAL FILM CHIP 68



(DIF-16B BOARD suffix 16, 31 or higher)

Ref. No. or Q'ty	Part No.	SP	Description
RB1	1-239-389-11	s	NWTRK RESISTOR (CHIP) 47K
RB2	1-239-389-11	s	NWTRK RESISTOR (CHIP) 47K
RB3	1-239-711-91	s	NETWORK RESISTOR (CHIP) 0
RB4	1-239-308-11	s	RESISTOR ARRAY, CHIP 47K
RB5	1-239-389-11	s	NWTRK RESISTOR (CHIP) 47K
RB6	1-236-904-11	s	NETWORK RESISTOR (CHIP) 1.0K
RB7	*d 1-239-631-11	s	RESISTOR, NETWORK (CHIP TYPE)
	*c 1-239-628-11	s	RESISTOR, NETWORK (CHIP TYPE)
RB501	1-239-628-11	s	RESISTOR, NETWORK (CHIP TYPE)
RB502	1-239-628-11	s	RESISTOR, NETWORK (CHIP TYPE)
RB503	1-239-628-11	s	RESISTOR, NETWORK (CHIP TYPE)
RB504	1-239-409-11	s	NETWORK RESISTOR (CHIP) 47
RB505	1-239-409-11	s	NETWORK RESISTOR (CHIP) 47
RB703	1-239-409-11	s	NETWORK RESISTOR (CHIP) 47
RB704	1-239-409-11	s	NETWORK RESISTOR (CHIP) 47
RB705	1-239-409-11	s	NETWORK RESISTOR (CHIP) 47
RB710	1-239-409-11	s	NETWORK RESISTOR (CHIP) 47
RB711	1-239-409-11	s	NETWORK RESISTOR (CHIP) 47
RB712	1-239-409-11	s	NETWORK RESISTOR (CHIP) 47
RB801	1-239-407-11	s	NETWORK RESISTOR (CHIP) 330
RB802	1-239-407-11	s	NETWORK RESISTOR (CHIP) 330
RB803	1-239-407-11	s	NETWORK RESISTOR (CHIP) 330
RB901	1-239-407-11	s	NETWORK RESISTOR (CHIP) 330
RB902	1-239-407-11	s	NETWORK RESISTOR (CHIP) 330
RB903	1-239-407-11	s	NETWORK RESISTOR (CHIP) 330

-----  
DIF-16B BOARD suffix 21, 22  
-----

Ref. No. or Q'ty	Part No.	SP	Description
1pc	A-8275-348-A	o	MOUNTED CIRCUIT BOARD, DIF-16BP
1pc	3-171-453-03	o	PLATE (L), SHIELD, CARD
1pc	3-171-454-02	o	SHEET (L), CARD
1pc	7-682-902-11	s	SCREW +PWH 2.6x5
1pc	3-179-084-01	s	LEVER (R), PC BOARD
1pc	3-179-085-01	s	LEVER (L), PC BOARD
C100	1-126-964-11	s	ELECT 10uF 20% 50V
C101	1-126-964-11	s	ELECT 10uF 20% 50V
C102	1-164-232-11	s	CERAMIC, CHIP 0.01uF 10% 100V(2125)
C103	1-164-232-11	s	CERAMIC, CHIP 0.01uF 10% 100V(2125)
C104	1-126-964-11	s	ELECT 10uF 20% 50V
C105	1-164-232-11	s	CERAMIC, CHIP 0.01uF 10% 100V(2125)
C106-110	1-163-099-00	s	CERAMIC, CHIP 18pF 5% 50V (2125)
C118	1-126-964-11	s	ELECT 10uF 20% 50V
C119	1-164-232-11	s	CERAMIC, CHIP 0.01uF 10% 100V(2125)
C122	1-163-038-00	s	CERAMIC, CHIP 0.1uF 25V (2125)
C123	1-163-038-00	s	CERAMIC, CHIP 0.1uF 25V (2125)
C124	1-126-964-11	s	ELECT 10uF 20% 50V
C125-129	1-163-038-00	s	CERAMIC, CHIP 0.1uF 25V (2125)
C130	1-163-121-00	s	CERAMIC, CHIP 150pF 5% 50V (2125)
C132	1-126-964-11	s	ELECT 10uF 20% 50V
C133	1-163-038-00	s	CERAMIC, CHIP 0.1uF 25V (2125)
C134	1-163-038-00	s	CERAMIC, CHIP 0.1uF 25V (2125)
C136-142	1-163-038-00	s	CERAMIC, CHIP 0.1uF 25V (2125)
C143	*1 1-163-038-00	s	CERAMIC, CHIP 0.1uF 25V (2125)
C144	1-163-038-00	s	CERAMIC, CHIP 0.1uF 25V (2125)
C145	1-126-964-11	s	ELECT 10uF 20% 50V
C158	1-163-038-00	s	CERAMIC, CHIP 0.1uF 25V (2125)
C165	1-163-038-00	s	CERAMIC, CHIP 0.1uF 25V (2125)
C167	1-163-038-00	s	CERAMIC, CHIP 0.1uF 25V (2125)
C171	1-163-038-00	s	CERAMIC, CHIP 0.1uF 25V (2125)
C172	1-163-038-00	s	CERAMIC, CHIP 0.1uF 25V (2125)
C175	1-163-038-00	s	CERAMIC, CHIP 0.1uF 25V (2125)
C176	1-163-038-00	s	CERAMIC, CHIP 0.1uF 25V (2125)
C180	1-163-038-00	s	CERAMIC, CHIP 0.1uF 25V (2125)
C182	1-163-038-00	s	CERAMIC, CHIP 0.1uF 25V (2125)
C184-188	1-163-038-00	s	CERAMIC, CHIP 0.1uF 25V (2125)
C193	1-163-038-00	s	CERAMIC, CHIP 0.1uF 25V (2125)
C195-199	1-163-038-00	s	CERAMIC, CHIP 0.1uF 25V (2125)
C202	1-163-038-00	s	CERAMIC, CHIP 0.1uF 25V (2125)
C204	*2 1-163-227-11	s	CERAMIC, CHIP 10pF 5% 50V (2125)
	*1 1-162-199-31	s	CERAMIC 10pF 5% 50V
C300	1-163-038-00	s	CERAMIC, CHIP 0.1uF 25V (2125)
C402	1-126-933-11	s	ELECT 100uF 20% 16V
C403	1-126-933-11	s	ELECT 100uF 20% 16V
C405	1-126-233-11	s	ELECT 22uF 20% 50V
C406	1-126-233-11	s	ELECT 22uF 20% 50V
C410	1-163-038-00	s	CERAMIC, CHIP 0.1uF 25V (2125)
C411	1-163-038-00	s	CERAMIC, CHIP 0.1uF 25V (2125)
C415	1-126-933-11	s	ELECT 100uF 20% 16V
C418	1-163-038-00	s	CERAMIC, CHIP 0.1uF 25V (2125)
C422	1-126-933-11	s	ELECT 100uF 20% 16V
C423	1-163-038-00	s	CERAMIC, CHIP 0.1uF 25V (2125)
C427	1-126-933-11	s	ELECT 100uF 20% 16V
C429	1-163-038-00	s	CERAMIC, CHIP 0.1uF 25V (2125)
C433-436	1-163-038-00	s	CERAMIC, CHIP 0.1uF 25V (2125)

-----  
\*1: Board No. suffix 21 only  
\*2: Board No. suffix 22 or higher  
-----

(DIF-16B BOARD suffix 21, 22)

Ref. No. or Q'ty	Part No.	SP	Description
C476	1-126-964-11	s	ELECT 10uF 20% 50V
C600	*2 1-163-275-11	s	CERAMIC, CHIP 1000pF 5% 50V
	*1 1-163-038-00	s	CERAMIC, CHIP 0.1uF 25V (2125)
C601	1-164-232-11	s	CERAMIC, CHIP 0.01uF 10% 100V
C602	1-126-964-11	s	ELECT 10uF 20% 50V
C700	1-163-038-00	s	CERAMIC, CHIP 0.1uF 25V (2125)
C701	1-163-038-00	s	CERAMIC, CHIP 0.1uF 25V (2125)
C702	1-126-964-11	s	ELECT 10uF 20% 50V
C703	1-163-038-00	s	CERAMIC, CHIP 0.1uF 25V (2125)
C704	1-163-038-00	s	CERAMIC, CHIP 0.1uF 25V (2125)
C705	1-163-038-00	s	CERAMIC, CHIP 0.1uF 25V (2125)
C706	1-163-121-00	s	CERAMIC, CHIP 150pF 5% 50V (2125)
C708	1-163-038-00	s	CERAMIC, CHIP 0.1uF 25V (2125)
C709	1-126-964-11	s	ELECT 10uF 20% 50V
C710	1-163-038-00	s	CERAMIC, CHIP 0.1uF 25V (2125)
C712	1-126-964-11	s	ELECT 10uF 20% 50V
C713	1-163-038-00	s	CERAMIC, CHIP 0.1uF 25V (2125)
C714	1-163-038-00	s	CERAMIC, CHIP 0.1uF 25V (2125)
C715	1-163-038-00	s	CERAMIC, CHIP 0.1uF 25V (2125)
C716	*1 1-163-038-00	s	CERAMIC, CHIP 0.1uF 25V (2125)
C809	*1 1-163-038-00	s	CERAMIC, CHIP 0.1uF 25V (2125)
CN110	1-573-600-21	s	CONNECTOR, PHEC 100P, MALE
CN112	1-573-600-21	s	CONNECTOR, PHEC 100P, MALE
CN450	1-750-880-11	s	CONNECTOR, COAXIAL, MALE
CN451	1-750-880-11	s	CONNECTOR, COAXIAL, MALE
CN452	1-750-880-11	s	CONNECTOR, COAXIAL, MALE
CN456	1-750-880-11	s	CONNECTOR, COAXIAL, MALE
D100	8-719-989-22	s	LED CL-150R-CD, RED
D101	8-719-989-22	s	LED CL-150R-CD, RED
D102	8-719-987-43	s	LED CL-150PG-CD, GRN
D103	8-719-404-35	s	DIODE MA141WK
D405	8-719-404-35	s	DIODE MA141WK
D600	8-719-023-69	s	DIODE SB007T03Q
D601	8-719-023-69	s	DIODE SB007T03Q
D602	8-719-023-69	s	DIODE SB007T03Q
D700	8-719-404-35	s	DIODE MA141WK
FB102	1-543-309-21	s	BEAD, FERRITE
FB103	1-543-309-21	s	BEAD, FERRITE
FB104	1-543-309-21	s	BEAD, FERRITE
FB105	1-543-309-21	s	BEAD, FERRITE
FB700	1-543-309-21	s	BEAD, FERRITE
FB701	1-543-309-21	s	BEAD, FERRITE
FB702	1-543-309-21	s	BEAD, FERRITE
FB703	1-543-309-21	s	BEAD, FERRITE
FB704	1-543-309-21	s	BEAD, FERRITE
IC100	8-759-986-62	s	IC 74ACT574SJ
IC101	8-759-986-62	s	IC 74ACT574SJ
IC110	8-759-277-19	s	IC UPD485505G-35
IC113	8-759-277-19	s	IC UPD485505G-35
IC114	8-759-991-85	s	IC 74F00SJ
IC115	8-759-548-77	s	IC SN74LV245ANSR
IC116	8-759-925-74	s	IC SN74HC04ANS
IC117	8-759-986-33	s	IC 74ACT245SJ
IC118	8-759-548-77	s	IC SN74LV245ANSR
IC119	8-759-519-12	s	IC CXD8281Q

(DIF-16B BOARD suffix 21, 22)

Ref. No. or Q'ty	Part No.	SP	Description
IC120	*1 8-759-989-05	s	IC 74F158ASJ
IC121	*1 8-759-925-82	s	IC SN74HC21ANS
IC123	8-759-172-73	s	IC CXD8385Q
IC124	8-741-601-11	s	IC SBX1601A
IC125	8-759-992-69	s	IC 74F245SJ
IC130	8-759-548-77	s	IC SN74LV245ANSR
IC131	8-759-548-77	s	IC SN74LV245ANSR
IC135	8-759-908-17	s	IC TL082CPS
IC215	8-759-548-77	s	IC SN74LV245ANSR
IC401	8-759-822-95	s	IC L79M05T-FA
IC404	8-759-822-95	s	IC L79M05T-FA
IC445	8-759-052-52	s	IC L78M05T-FA
IC600	8-759-926-49	s	IC SN74HC245ANS
IC601	8-759-926-80	s	IC SN74HC573BNS
IC602	*2 8-759-430-21	s	IC MSM6524GS-KR1
IC603	8-759-926-11	s	IC SN74HC138ANS
IC604	8-759-926-11	s	IC SN74HC138ANS
IC605	8-759-926-49	s	IC SN74HC245ANS
IC606	8-759-926-82	s	IC SN74HC574ANS
IC609	*1 8-759-239-55	s	IC TC74HC123AF
IC610	8-759-673-45	s	IC MM74HC08SJX
IC625	8-759-926-82	s	IC SN74HC574ANS
IC700	8-759-179-75	s	IC CXD8845Q
IC701	8-741-601-11	s	IC SBX1601A
IC705	*1 8-759-926-49	s	IC SN74HC245ANS
L100-103	1-410-803-31	s	INDUCTOR, CHIP 0.047uH
L104	1-410-785-31	s	INDUCTOR 0.22uH
L400	1-412-533-21	s	INDUCTOR 47uH
L401	1-412-533-21	s	INDUCTOR 47uH
L600	1-410-381-11	s	INDUCTOR, CHIP 10uH
L700	1-410-785-31	s	INDUCTOR 0.22uH
PS400	▲ 1-533-347-21	s	LINK, IC, CHIP 0.5A
Q103	8-729-140-63	s	TRANSISTOR 2SA1611-M5M6
Q104	8-729-117-32	s	TRANSISTOR 2SC4177-L6
Q105	8-729-905-12	s	TRANSISTOR DTA144EU
Q106	8-729-140-63	s	TRANSISTOR 2SA1611-M5M6
Q107-110	8-729-043-92	s	TRANSISTOR 2SC5084-0(TE85L)
Q112	8-729-043-92	s	TRANSISTOR 2SC5084-0(TE85L)
Q300	8-729-143-14	s	TRANSISTOR 2SC4176-B35
Q702	8-729-140-63	s	TRANSISTOR 2SA1611-M5M6
Q703	8-729-117-32	s	TRANSISTOR 2SC4177-L6
Q704	8-729-043-92	s	TRANSISTOR 2SC5084-0(TE85L)
Q705	8-729-905-12	s	TRANSISTOR DTA144EU
Q706	8-729-043-92	s	TRANSISTOR 2SC5084-0(TE85L)
Q707	8-729-043-92	s	TRANSISTOR 2SC5084-0(TE85L)
Q708	8-729-143-14	s	TRANSISTOR 2SC4176-B35
R100	1-216-029-00	s	METAL, CHIP 150 5% 1/10W (2125)
R101-108	1-216-037-00	s	METAL, CHIP 330 5% 1/10W (2125)
R109-116	1-216-033-00	s	METAL, CHIP 220 5% 1/10W (2125)
R117-124	1-216-037-00	s	METAL, CHIP 330 5% 1/10W (2125)
R125-132	1-216-033-00	s	METAL, CHIP 220 5% 1/10W (2125)
R133	1-216-295-00	s	METAL, CHIP 0 (2125)
R134-138	1-216-025-00	s	METAL, CHIP 100 5% 1/10W (2125)
R141-148	1-216-033-00	s	METAL, CHIP 220 5% 1/10W (2125)
R149	1-216-295-00	s	METAL, CHIP 0 (2125)

-----  
 \*1: Board No. suffix 21 only  
 \*2: Board No. suffix 22 or higher

(DIF-16B BOARD suffix 21, 22)

(DIF-16B BOARD suffix 21, 22)

Ref. No. or Q'ty	Part No.	SP	Description
R150	1-216-295-00	s	METAL, CHIP 0 (2125)
R151	*2 1-216-295-00	s	METAL, CHIP 0 (2125)
R154	*1 1-216-295-00	s	METAL, CHIP 0 (2125)
R155	*1 1-216-295-00	s	METAL, CHIP 0 (2125)
R156	*1 1-216-033-00	s	METAL, CHIP 220 5% 1/10W (2125)
R157	1-216-033-00	s	METAL, CHIP 220 5% 1/10W (2125)
R160	*1 1-216-295-00	s	METAL, CHIP 0 (2125)
R161	1-216-295-00	s	METAL, CHIP 0 (2125)
R178	*1 1-216-295-00	s	METAL, CHIP 0 (2125)
R200	1-216-029-00	s	METAL, CHIP 150 5% 1/10W (2125)
R201	1-216-029-00	s	METAL, CHIP 150 5% 1/10W (2125)
R202-205	1-216-295-00	s	METAL, CHIP 0 (2125)
R206	*1 1-216-295-00	s	METAL, CHIP 0 (2125)
R206A	*1 1-215-407-00	s	METAL 270 1% 1/4W
R220	1-216-295-00	s	METAL, CHIP 0 (2125)
R227	1-216-295-00	s	METAL, CHIP 0 (2125)
R228	1-216-295-00	s	METAL, CHIP 0 (2125)
R230	1-216-295-00	s	METAL, CHIP 0 (2125)
R235	1-216-295-00	s	METAL, CHIP 0 (2125)
R234	*2 1-216-295-00	s	METAL, CHIP 0 (2125)
R246	1-216-295-00	s	METAL, CHIP 0 (2125)
R247	1-216-295-00	s	METAL, CHIP 0 (2125)
R248	1-216-295-00	s	METAL, CHIP 0 (2125)
R250	1-216-295-00	s	METAL, CHIP 0 (2125)
R252	1-216-295-00	s	METAL, CHIP 0 (2125)
R255	1-216-295-00	s	METAL, CHIP 0 (2125)
R257	1-216-295-00	s	METAL, CHIP 0 (2125)
R259	1-216-295-00	s	METAL, CHIP 0 (2125)
R261	1-216-295-00	s	METAL, CHIP 0 (2125)
R263	1-216-295-00	s	METAL, CHIP 0 (2125)
R265	1-216-295-00	s	METAL, CHIP 0 (2125)
R267	1-216-295-00	s	METAL, CHIP 0 (2125)
R269	1-216-295-00	s	METAL, CHIP 0 (2125)
R270	1-216-295-00	s	METAL, CHIP 0 (2125)
R271	1-216-295-00	s	METAL, CHIP 0 (2125)
R273-283	1-216-033-00	s	METAL, CHIP 220 5% 1/10W (2125)
R284	1-216-295-00	s	METAL, CHIP 0 (2125)
R285	1-216-085-00	s	METAL, CHIP 33K 5% 1/10W (2125)
R286	1-216-079-00	s	METAL, CHIP 18K 5% 1/10W (2125)
R287	1-216-623-11	s	METAL, CHIP 68 0.5% 1/10W (2125)
R288	1-216-295-00	s	METAL, CHIP 0 (2125)
R294	1-216-624-11	s	METAL, CHIP 75 0.5% 1/10W (2125)
R295	1-216-623-11	s	METAL, CHIP 68 0.5% 1/10W (2125)
R296	1-216-613-11	s	METAL, CHIP 27 0.5% 1/10W (2125)
R297	1-216-613-11	s	METAL, CHIP 27 0.5% 1/10W (2125)
R298	1-216-623-11	s	METAL, CHIP 68 0.5% 1/10W (2125)
R301	1-216-623-11	s	METAL, CHIP 68 0.5% 1/10W (2125)
R302	1-216-033-00	s	METAL, CHIP 220 5% 1/10W (2125)
R303	1-216-033-00	s	METAL, CHIP 220 5% 1/10W (2125)
R304	*1 1-216-625-11	s	METAL, CHIP 82 0.5% 1/10W (2125)
R308	1-216-623-11	s	METAL, CHIP 68 0.5% 1/10W (2125)
R309	1-216-049-00	s	METAL, CHIP 1.0K 5% 1/10W (2125)
R310	1-216-049-00	s	METAL, CHIP 1.0K 5% 1/10W (2125)
R311	1-216-049-00	s	METAL, CHIP 1.0K 5% 1/10W (2125)
R312	*1 1-216-049-00	s	METAL, CHIP 1.0K 5% 1/10W (2125)
R313	1-216-029-00	s	METAL, CHIP 150 5% 1/10W (2125)

Ref. No. or Q'ty	Part No.	SP	Description
R314	1-216-029-00	s	METAL, CHIP 150 5% 1/10W (2125)
R315	1-216-029-00	s	METAL, CHIP 150 5% 1/10W (2125)
R316	*1 1-216-029-00	s	METAL, CHIP 150 5% 1/10W (2125)
R317	1-216-623-11	s	METAL, CHIP 68 0.5% 1/10W (2125)
R318	1-216-073-00	s	METAL, CHIP 10K 5% 1/10W (2125)
R319	1-216-073-00	s	METAL, CHIP 10K 5% 1/10W (2125)
R320	1-216-675-11	s	METAL, CHIP 10K 0.5% 1/10W (2125)
R321	1-216-679-11	s	METAL, CHIP 15K 0.5% 1/10W (2125)
R322	1-216-657-11	s	METAL, CHIP 1.8K 0.5% 1/10W (2125)
R323	1-216-025-00	s	METAL, CHIP 100 5% 1/10W (2125)
R324	1-208-774-11	s	METAL, CHIP 470 0.5% 1/10W (2125)
R325	1-216-049-00	s	METAL, CHIP 1.0K 5% 1/10W (2125)
R326	1-216-659-11	s	METAL, CHIP 2.2K 0.5% 1/10W (2125)
R327	1-216-655-11	s	METAL, CHIP 1.5K 0.5% 1/10W (2125)
R328	1-216-075-00	s	METAL, CHIP 12K 5% 1/10W (2125)
R331	1-216-651-11	s	METAL, CHIP 1.0K 0.5% 1/10W (2125)
R332	1-216-295-00	s	METAL, CHIP 0 (2125)
R334	1-216-295-00	s	METAL, CHIP 0 (2125)
R335	1-216-085-00	s	METAL, CHIP 33K 5% 1/10W (2125)
R336	1-216-079-00	s	METAL, CHIP 18K 5% 1/10W (2125)
R347	*1 1-216-295-00	s	METAL, CHIP 0 (2125)
R348	*1 1-216-295-00	s	METAL, CHIP 0 (2125)
R351	1-216-017-00	s	METAL, CHIP 47 5% 1/10W (2125)
R352	1-216-017-00	s	METAL, CHIP 47 5% 1/10W (2125)
R353	1-216-017-00	s	METAL, CHIP 47 5% 1/10W (2125)
R354	*1 1-216-017-00	s	METAL, CHIP 47 5% 1/10W (2125)
R355	1-216-085-00	s	METAL, CHIP 33K 5% 1/10W (2125)
R422-425	1-216-295-00	s	METAL, CHIP 0 (2125)
R528	*1 1-216-295-00	s	METAL, CHIP 0 (2125)
R529	1-216-295-00	s	METAL, CHIP 0 (2125)
R530	1-216-295-00	s	METAL, CHIP 0 (2125)
R534	1-216-093-00	s	METAL, CHIP 68K 5% 1/10W (2125)
R535	1-216-073-00	s	METAL, CHIP 10K 5% 1/10W (2125)
R536	1-216-099-00	s	METAL, CHIP 120K 5% 1/10W (2125)
R585	1-216-295-00	s	METAL, CHIP 0 (2125)
R587	1-216-295-00	s	METAL, CHIP 0 (2125)
R601	1-216-081-00	s	METAL, CHIP 22K 5% 1/10W (2125)
R603	1-216-081-00	s	METAL, CHIP 22K 5% 1/10W (2125)
R604	1-216-295-00	s	METAL, CHIP 0 (2125)
R605	*1 1-216-081-00	s	METAL, CHIP 22K 5% 1/10W (2125)
R606-610	1-216-049-00	s	METAL, CHIP 1.0K 5% 1/10W (2125)
R611	1-216-089-00	s	METAL, CHIP 47K 5% 1/10W (2125)
R612	*2 1-216-049-00	s	METAL, CHIP 1.0K 5% 1/10W (2125)
	*1 1-216-109-00	s	METAL, CHIP 330K 5% 1/10W (2125)
R613	1-216-295-00	s	METAL, CHIP 0 (2125)
R614	1-216-295-00	s	METAL, CHIP 0 (2125)
R615	1-216-295-00	s	METAL, CHIP 0 (2125)
R616	1-216-097-00	s	METAL, CHIP 100K 5% 1/10W (2125)
R617	1-216-073-00	s	METAL, CHIP 10K 5% 1/10W (2125)
R618	*2 1-216-295-00	s	METAL, CHIP 0 (2125)
R619-622	1-216-089-00	s	METAL, CHIP 47K 5% 1/10W (2125)
R630-640	1-216-089-00	s	METAL, CHIP 47K 5% 1/10W (2125)
R700	1-216-619-11	s	METAL, CHIP 47 0.5% 1/10W (2125)
R701	1-216-001-00	s	METAL, CHIP 10 5% 1/10W (2125)
R703	*1 1-216-033-00	s	METAL, CHIP 220 5% 1/10W (2125)
R704	*1 1-216-033-00	s	METAL, CHIP 220 5% 1/10W (2125)

-----  
 \*1: Board No. suffix 21 only  
 \*2: Board No. suffix 22 or higher

(DIF-16B BOARD suffix 21, 22)

Ref. No. or Q'ty	Part No.	SP	Description
R705	*1 1-216-033-00	s	METAL, CHIP 220 5% 1/10W (2125)
R706	1-216-033-00	s	METAL, CHIP 220 5% 1/10W (2125)
R707	1-216-033-00	s	METAL, CHIP 220 5% 1/10W (2125)
R708	*1 1-216-085-00	s	METAL, CHIP 33K 5% 1/10W (2125)
R709	*1 1-216-085-00	s	METAL, CHIP 33K 5% 1/10W (2125)
R710	*1 1-216-085-00	s	METAL, CHIP 33K 5% 1/10W (2125)
R711	1-216-085-00	s	METAL, CHIP 33K 5% 1/10W (2125)
R712	1-216-085-00	s	METAL, CHIP 33K 5% 1/10W (2125)
R730-740	1-216-033-00	s	METAL, CHIP 220 5% 1/10W (2125)
R741	1-216-085-00	s	METAL, CHIP 33K 5% 1/10W (2125)
R742	1-216-079-00	s	METAL, CHIP 18K 5% 1/10W (2125)
R743	1-216-085-00	s	METAL, CHIP 33K 5% 1/10W (2125)
R744	1-216-079-00	s	METAL, CHIP 18K 5% 1/10W (2125)
R745	1-216-295-00	s	METAL, CHIP 0 (2125)
R746	1-216-295-00	s	METAL, CHIP 0 (2125)
R747	1-216-001-00	s	METAL, CHIP 10 5% 1/10W (2125)
R748	1-216-001-00	s	METAL, CHIP 10 5% 1/10W (2125)
R750	*1 1-216-295-00	s	METAL, CHIP 0 (2125)
R752	*1 1-216-295-00	s	METAL, CHIP 0 (2125)
R753	1-216-025-00	s	METAL, CHIP 100 5% 1/10W (2125)
R754	1-216-049-00	s	METAL, CHIP 1.0K 5% 1/10W (2125)
R755	1-208-774-11	s	METAL, CHIP 470 0.5% 1/10W (2125)
R756	1-216-659-11	s	METAL, CHIP 2.2K 0.5% 1/10W
R757	1-216-651-11	s	METAL, CHIP 1.0K 0.5% 1/10W
R758	1-216-295-00	s	METAL, CHIP 0 (2125)
R759	1-216-073-00	s	METAL, CHIP 10K 5% 1/10W (2125)
R760	1-216-624-11	s	METAL, CHIP 75 0.5% 1/10W (2125)
R761	1-216-033-00	s	METAL, CHIP 220 5% 1/10W (2125)
R762	1-216-655-11	s	METAL, CHIP 1.5K 0.5% 1/10W
R763	1-216-657-11	s	METAL, CHIP 1.8K 0.5% 1/10W
R764	1-216-033-00	s	METAL, CHIP 220 5% 1/10W (2125)
R765	1-216-613-11	s	METAL, CHIP 27 0.5% 1/10W (2125)
R766	1-216-675-11	s	METAL, CHIP 10K 0.5% 1/10W
R767	1-216-633-11	s	METAL, CHIP 180 0.5% 1/10W (2125)
R769	1-216-613-11	s	METAL, CHIP 27 0.5% 1/10W (2125)
R770	1-216-633-11	s	METAL, CHIP 180 0.5% 1/10W (2125)
R771	1-216-679-11	s	METAL, CHIP 15K 0.5% 1/10W (2125)
R772	1-216-001-00	s	METAL, CHIP 10 5% 1/10W (2125)
R775	1-216-624-11	s	METAL, CHIP 75 0.5% 1/10W (2125)
R776	1-216-029-00	s	METAL, CHIP 150 5% 1/10W (2125)
R777	1-216-049-00	s	METAL, CHIP 1.0K 5% 1/10W (2125)
R778	1-216-623-11	s	METAL, CHIP 68 0.5% 1/10W (2125)
R790	1-216-085-00	s	METAL, CHIP 33K 5% 1/10W (2125)

\*1: Board No. suffix 21 only

-----  
DPR-36H BOARD suffix 24, 15 or higher  
-----

Ref. No. or Q'ty	Part No.	SP	Description
			*1: Board No. suffix 24 only
			*2: Board No. suffix 15 or higher
1pc	A-8275-208-B	o	MOUNTED CIRCUIT BOARD, DPR-36H
1pc	3-171-453-03	o	PLATE (L), SHIELD, CARD
1pc	3-171-454-02	o	SHEET (L), CARD (PLA)
6pcs	7-682-902-11	s	SCREW +PWH 2.6X5 (EP-FE/ZN/CM2)
1pc	3-179-084-01	s	LEVER(R), PRINTED C, BOARD
1pc	3-179-085-01	s	LEVER(L), PRINTED C, BOARD
C1	1-163-033-91	s	CAPACITOR, CERAMIC 0.022MF/50V
C2	1-163-033-91	s	CAPACITOR, CERAMIC 0.022MF/50V
C3	1-135-216-11	s	CAPACITOR TANTATUM 10MF/10V
C4	1-135-216-11	s	CAPACITOR TANTATUM 10MF/10V
C5	1-163-033-91	s	CAPACITOR, CERAMIC 0.022MF/50V
C6	1-126-392-11	s	CAPACITOR,CHIP ELECT100MF/6.3V
C7	1-163-033-91	s	CAPACITOR, CERAMIC 0.022MF/50V
C8	1-126-392-11	s	CAPACITOR,CHIP ELECT100MF/6.3V
C9	1-163-033-91	s	CAPACITOR, CERAMIC 0.022MF/50V
C38	1-163-033-91	s	CAPACITOR, CERAMIC 0.022MF/50V
C67	1-163-033-91	s	CAPACITOR, CERAMIC 0.022MF/50V
C68	1-163-033-91	s	CAPACITOR, CERAMIC 0.022MF/50V
C69	1-163-033-91	s	CAPACITOR, CERAMIC 0.022MF/50V
C70	1-163-033-91	s	CAPACITOR, CERAMIC 0.022MF/50V
C71	1-135-216-11	s	CAPACITOR TANTATUM 10MF/10V
C72	1-135-216-11	s	CAPACITOR TANTATUM 10MF/10V
C73	1-135-216-11	s	CAPACITOR TANTATUM 10MF/10V
C74	1-135-216-11	s	CAPACITOR TANTATUM 10MF/10V
C75	1-163-033-91	s	CAPACITOR, CERAMIC 0.022MF/50V
C76	1-163-033-91	s	CAPACITOR, CERAMIC 0.022MF/50V
C77	1-163-033-91	s	CAPACITOR, CERAMIC 0.022MF/50V
C78	1-163-033-91	s	CAPACITOR, CERAMIC 0.022MF/50V
C79	1-163-033-91	s	CAPACITOR, CERAMIC 0.022MF/50V
C80	1-163-033-91	s	CAPACITOR, CERAMIC 0.022MF/50V
C81	1-163-033-91	s	CAPACITOR, CERAMIC 0.022MF/50V
C82	1-163-033-91	s	CAPACITOR, CERAMIC 0.022MF/50V
C83	1-163-033-91	s	CAPACITOR, CERAMIC 0.022MF/50V
C84	1-163-033-91	s	CAPACITOR, CERAMIC 0.022MF/50V
C85	1-163-033-91	s	CAPACITOR, CERAMIC 0.022MF/50V
C86	1-163-033-91	s	CAPACITOR, CERAMIC 0.022MF/50V
C87	1-163-033-91	s	CAPACITOR, CERAMIC 0.022MF/50V
C88	1-163-033-91	s	CAPACITOR, CERAMIC 0.022MF/50V
C89	1-163-033-91	s	CAPACITOR, CERAMIC 0.022MF/50V
C90	1-163-033-91	s	CAPACITOR, CERAMIC 0.022MF/50V
C91	1-163-033-91	s	CAPACITOR, CERAMIC 0.022MF/50V
C92	1-163-033-91	s	CAPACITOR, CERAMIC 0.022MF/50V
C93	1-163-033-91	s	CAPACITOR, CERAMIC 0.022MF/50V
C94	1-163-033-91	s	CAPACITOR, CERAMIC 0.022MF/50V
C95	1-163-033-91	s	CAPACITOR, CERAMIC 0.022MF/50V
C96	1-163-033-91	s	CAPACITOR, CERAMIC 0.022MF/50V
C97	1-163-033-91	s	CAPACITOR, CERAMIC 0.022MF/50V
C98	1-163-033-91	s	CAPACITOR, CERAMIC 0.022MF/50V
C99	1-163-033-91	s	CAPACITOR, CERAMIC 0.022MF/50V
C100	1-163-033-91	s	CAPACITOR, CERAMIC 0.022MF/50V
C101	1-163-033-91	s	CAPACITOR, CERAMIC 0.022MF/50V
C102	1-163-033-91	s	CAPACITOR, CERAMIC 0.022MF/50V
C103	1-163-033-91	s	CAPACITOR, CERAMIC 0.022MF/50V
C104	1-163-033-91	s	CAPACITOR, CERAMIC 0.022MF/50V
C105	1-163-033-91	s	CAPACITOR, CERAMIC 0.022MF/50V
C106	1-163-033-91	s	CAPACITOR, CERAMIC 0.022MF/50V



(DPR-36H BOARD suffix 24, 15 or higher )

(DPR-36H BOARD suffix 24, 15 or higher )

Ref. No. or Q'ty	Part No.	SP	Description
C923	1-163-033-91	s	CAPACITOR, CERAMIC 0.022MF/50V
C924	1-163-033-91	s	CAPACITOR, CERAMIC 0.022MF/50V
C938	1-163-033-91	s	CAPACITOR, CERAMIC 0.022MF/50V
C941	1-163-033-91	s	CAPACITOR, CERAMIC 0.022MF/50V
C942	1-163-033-91	s	CAPACITOR, CERAMIC 0.022MF/50V
C945	1-163-033-91	s	CAPACITOR, CERAMIC 0.022MF/50V
C950	1-135-216-11	s	CAPACITOR TANTATUM 10MF/10V
C951	1-163-033-91	s	CAPACITOR, CERAMIC 0.022MF/50V
C1004	*1 1-163-241-11	s	CAPACITOR CERAMIC 39PF/50(2012)
C1005	*1 1-163-241-11	s	CAPACITOR CERAMIC 39PF/50(2012)
C1006	*1 1-163-241-11	s	CAPACITOR CERAMIC 39PF/50(2012)
C1007	*1 1-163-241-11	s	CAPACITOR CERAMIC 39PF/50(2012)
C1100	*2 1-163-241-11	s	CAPACITOR CERAMIC 39PF/50(2012)
C1107	*2 1-163-241-11	s	CAPACITOR CERAMIC 39PF/50(2012)
C1108	*2 1-163-241-11	s	CAPACITOR CERAMIC 39PF/50(2012)
C1109	*2 1-163-241-11	s	CAPACITOR CERAMIC 39PF/50(2012)
C1110	*2 1-163-241-11	s	CAPACITOR CERAMIC 39PF/50(2012)
C1111	*2 1-163-241-11	s	CAPACITOR CERAMIC 39PF/50(2012)
C1112	*2 1-163-241-11	s	CAPACITOR CERAMIC 39PF/50(2012)
C1113	*2 1-163-241-11	s	CAPACITOR CERAMIC 39PF/50(2012)
CN116	1-573-600-21	s	CONNECTOR, PC BOARD (PLUG)100P
CN117	1-573-600-21	s	CONNECTOR, PC BOARD (PLUG)100P
CN118	1-573-600-21	s	CONNECTOR, PC BOARD (PLUG)100P
CN1001	1-750-667-11	s	CONNECTOR, BOARD TO BOARD 100P
FL1	1-239-898-22	s	FILTER, EMI (SMD)
FL3	1-239-898-22	s	FILTER, EMI (SMD)
FL4	1-239-898-22	s	FILTER, EMI (SMD)
FL21	1-239-898-22	s	FILTER, EMI (SMD)
FL22	1-239-898-22	s	FILTER, EMI (SMD)
FL23	1-239-898-22	s	FILTER, EMI (SMD)
FL24	1-239-898-22	s	FILTER, EMI (SMD)
FL25	1-239-898-22	s	FILTER, EMI (SMD)
FL26	1-239-898-22	s	FILTER, EMI (SMD)
FL27	1-239-898-22	s	FILTER, EMI (SMD)
FL28	1-239-898-22	s	FILTER, EMI (SMD)
FL29	1-239-898-22	s	FILTER, EMI (SMD)
FL30	1-239-898-22	s	FILTER, EMI (SMD)
FL31	1-239-898-22	s	FILTER, EMI (SMD)
FL32	1-239-898-22	s	FILTER, EMI (SMD)
FL33	1-239-898-22	s	FILTER, EMI (SMD)
FL34	1-239-898-22	s	FILTER, EMI (SMD)
FL35	1-239-898-22	s	FILTER, EMI (SMD)
FL36	1-239-898-22	s	FILTER, EMI (SMD)
IC1	8-759-548-77	s	IC SN74LV245ANSR
IC2	8-759-926-49	s	IC SN74HC245ANS
IC4	8-759-175-27	s	IC TC74VHC574F
IC25	8-759-548-77	s	IC SN74LV245ANSR
IC26	8-759-548-77	s	IC SN74LV245ANSR
IC27	8-759-548-77	s	IC SN74LV245ANSR
IC28	8-759-548-77	s	IC SN74LV245ANSR
IC29	8-759-325-89	s	IC CXD8928R
IC30	6-700-420-01	s	IC CY7C1019BV33-15VCT
IC31	6-700-420-01	s	IC CY7C1019BV33-15VCT
IC33	6-700-420-01	s	IC CY7C1019BV33-15VCT
IC34	6-700-420-01	s	IC CY7C1019BV33-15VCT
IC35	8-759-325-88	s	IC CXD8929R
IC45	8-759-199-86	s	IC CXD8807BR
IC46	8-759-475-29	s	IC TC74LCX574F(EL)

Ref. No. or Q'ty	Part No.	SP	Description
IC47	8-759-475-29	s	IC TC74LCX574F(EL)
IC63	8-752-359-55	s	IC CXK48324R
IC64	8-752-359-55	s	IC CXK48324R
IC65	8-752-359-55	s	IC CXK48324R
IC66	8-752-359-55	s	IC CXK48324R
IC67	8-752-359-55	s	IC CXK48324R
IC68	8-759-548-77	s	IC SN74LV245ANSR
IC69	8-759-177-76	s	IC CXD8811AQ
IC72	8-759-475-22	s	IC TC74LCX245F(EL)
IC73	8-759-177-77	s	IC CXD8824AQ
IC74	6-700-420-01	s	IC CY7C1019BV33-15VCT
IC75	8-759-475-22	s	IC TC74LCX245F(EL)
IC76	6-700-420-01	s	IC CY7C1019BV33-15VCT
IC77	6-700-420-01	s	IC CY7C1019BV33-15VCT
IC78	6-700-420-01	s	IC CY7C1019BV33-15VCT
IC79	6-700-420-01	s	IC CY7C1019BV33-15VCT
IC701	8-759-673-54	s	IC MM74HC74ASJX
IC705	8-759-196-73	s	IC UPD485505G-25
IC706	8-759-673-54	s	IC MM74HC74ASJX
IC707	8-759-673-36	s	IC MM74HC00SJX
IC708	8-759-673-54	s	IC MM74HC74ASJX
IC709	8-759-926-74	s	IC SN74HC393ANS
IC710	8-759-673-45	s	IC MM74HC08SJX
IC711	8-759-673-36	s	IC MM74HC00SJX
IC712	8-759-673-36	s	IC MM74HC00SJX
IC713	8-759-926-98	s	IC SN74HC4040ANS
IC714	8-759-232-52	s	IC TC74HC133AF
IC900	8-759-475-19	s	IC TC74LCX157F(EL)
IC901	8-759-186-30	s	IC TC74VHC14F
IC902	6-700-594-01	s	IC CY7C1021BV33-15VCT
IC906	8-759-186-15	s	IC TC74VHC540F(EL)
IC907	8-759-548-77	s	IC SN74LV245ANSR
IC910	8-759-548-77	s	IC SN74LV245ANSR
IC911	8-759-253-97	s	IC CXD8859AQ
IC914	8-759-186-30	s	IC TC74VHC14F
IC915	8-759-186-63	s	IC TC74VHC245F
IC920	8-759-674-09	s	IC MM74HCT04SJX
IC1103*2	6-700-803-01	s	IC CY7C1049BV33-15VC-T2
IC1104*2	6-700-803-01	s	IC CY7C1049BV33-15VC-T2
IC1105*2	6-700-803-01	s	IC CY7C1049BV33-15VC-T2
L1	1-410-803-11	s	CHIP INDUCTOR 0.047UH (3225)
L2	1-410-803-11	s	CHIP INDUCTOR 0.047UH (3225)
L3	1-424-643-11	s	COIL, CHOKE 10UH
L4	1-424-643-11	s	COIL, CHOKE 10UH
L5	1-424-643-11	s	COIL, CHOKE 10UH
L6	1-424-643-11	s	COIL, CHOKE 10UH
L8	1-424-643-11	s	COIL, CHOKE 10UH
L10	1-410-803-11	s	CHIP INDUCTOR 0.047UH (3225)
L13	1-410-803-11	s	CHIP INDUCTOR 0.047UH (3225)
L14	1-410-803-11	s	CHIP INDUCTOR 0.047UH (3225)
L15	1-410-803-11	s	CHIP INDUCTOR 0.047UH (3225)
L16	1-410-803-11	s	CHIP INDUCTOR 0.047UH (3225)
L19	1-410-803-11	s	CHIP INDUCTOR 0.047UH (3225)
L20	1-410-803-11	s	CHIP INDUCTOR 0.047UH (3225)
L900	1-424-643-11	s	COIL, CHOKE 10UH
L901	1-410-803-11	s	CHIP INDUCTOR 0.047UH (3225)
L915	1-410-803-11	s	CHIP INDUCTOR 0.047UH (3225)
PS1	△ 1-533-272-11	s	FUSE, CHIP 4A (6125)

(DPR-36H BOARD suffix 24, 15 or higher )

(DPR-36H BOARD suffix 24, 15 or higher )

Ref. No. or Q'ty	Part No.	SP	Description
PS2	△ 1-533-272-11	s	FUSE, CHIP 4A (6125)
PS3	△ 1-533-272-11	s	FUSE, CHIP 4A (6125)
PS4	△ 1-533-272-11	s	FUSE, CHIP 4A (6125)
PS5	△ 1-533-272-11	s	FUSE, CHIP 4A (6125)
PS6	△ 1-533-272-11	s	FUSE, CHIP 4A (6125)
R1	1-216-033-00	s	RESISTOR,CHIP 220 1/10W(2012)
R2	1-216-295-91	s	RESISTOR, CHIP 0 (1/10W)
R3	1-216-033-00	s	RESISTOR,CHIP 220 1/10W(2012)
R4	1-216-295-91	s	RESISTOR, CHIP 0 (1/10W)
R5	1-216-033-00	s	RESISTOR,CHIP 220 1/10W(2012)
R6	1-216-033-00	s	RESISTOR,CHIP 220 1/10W(2012)
R7	1-216-295-91	s	RESISTOR, CHIP 0 (1/10W)
R8	1-216-033-00	s	RESISTOR,CHIP 220 1/10W(2012)
R9	1-216-295-91	s	RESISTOR, CHIP 0 (1/10W)
R10	1-216-033-00	s	RESISTOR,CHIP 220 1/10W(2012)
R11	1-216-295-91	s	RESISTOR, CHIP 0 (1/10W)
R12	1-216-033-00	s	RESISTOR,CHIP 220 1/10W(2012)
R13	1-216-033-00	s	RESISTOR,CHIP 220 1/10W(2012)
R14	1-216-295-91	s	RESISTOR, CHIP 0 (1/10W)
R15	1-216-033-00	s	RESISTOR,CHIP 220 1/10W(2012)
R16	1-216-295-91	s	RESISTOR, CHIP 0 (1/10W)
R17	1-216-033-00	s	RESISTOR,CHIP 220 1/10W(2012)
R18	1-216-033-00	s	RESISTOR,CHIP 220 1/10W(2012)
R19	1-216-033-00	s	RESISTOR,CHIP 220 1/10W(2012)
R21	1-216-295-91	s	RESISTOR, CHIP 0 (1/10W)
R23	1-216-295-91	s	RESISTOR, CHIP 0 (1/10W)
R81	1-216-049-91	s	RESISTOR,CHIP 1K 1/10W(2125)
R90	1-216-295-91	s	RESISTOR, CHIP 0 (1/10W)
R200	1-216-295-91	s	RESISTOR, CHIP 0 (1/10W)
R201	1-216-049-91	s	RESISTOR,CHIP 1K 1/10W(2125)
R315	1-216-049-91	s	RESISTOR,CHIP 1K 1/10W(2125)
R334	1-216-049-91	s	RESISTOR,CHIP 1K 1/10W(2125)
R389	1-216-033-00	s	RESISTOR,CHIP 220 1/10W(2012)
R390	1-216-049-91	s	RESISTOR,CHIP 1K 1/10W(2125)
R391	1-216-049-91	s	RESISTOR,CHIP 1K 1/10W(2125)
R906	1-216-049-91	s	RESISTOR,CHIP 1K 1/10W(2125)
R911	1-216-295-91	s	RESISTOR, CHIP 0 (1/10W)
R912	1-216-295-91	s	RESISTOR, CHIP 0 (1/10W)
R954	1-216-033-00	s	RESISTOR,CHIP 220 1/10W(2012)
R964	1-216-033-00	s	RESISTOR,CHIP 220 1/10W(2012)
R966	1-216-033-00	s	RESISTOR,CHIP 220 1/10W(2012)
R973	1-216-295-91	s	RESISTOR, CHIP 0 (1/10W)
R974	1-216-033-00	s	RESISTOR,CHIP 220 1/10W(2012)
R975	1-216-295-91	s	RESISTOR, CHIP 0 (1/10W)
R976	1-216-295-91	s	RESISTOR, CHIP 0 (1/10W)
R978	1-216-295-91	s	RESISTOR, CHIP 0 (1/10W)
R980	1-216-033-00	s	RESISTOR,CHIP 220 1/10W(2012)
R990	1-216-073-00	s	RESISTOR,CHIP 10K 1/10W(2012)
R991	1-216-295-91	s	RESISTOR, CHIP 0 (1/10W)
R992	1-216-295-91	s	RESISTOR, CHIP 0 (1/10W)
R994	1-216-295-91	s	RESISTOR, CHIP 0 (1/10W)
R995	1-216-295-91	s	RESISTOR, CHIP 0 (1/10W)
R998	1-216-295-91	s	RESISTOR, CHIP 0 (1/10W)
RB1	1-239-628-11	s	RESISTOR NETWORK (CHIP TYPE)
RB2	1-239-628-11	s	RESISTOR NETWORK (CHIP TYPE)
RB4	1-239-628-11	s	RESISTOR NETWORK (CHIP TYPE)
RB5	1-239-628-11	s	RESISTOR NETWORK (CHIP TYPE)
RB6	1-239-628-11	s	RESISTOR NETWORK (CHIP TYPE)

Ref. No. or Q'ty	Part No.	SP	Description
RB7	1-239-628-11	s	RESISTOR NETWORK (CHIP TYPE)
RB8	*1 1-236-904-11	s	RESISTOR NETWORK 1K (1608)
RB9	1-236-904-11	s	RESISTOR NETWORK 1K (1608)
RB10	1-236-904-11	s	RESISTOR NETWORK 1K (1608)
RB11	1-236-904-11	s	RESISTOR NETWORK 1K (1608)
RB12	1-236-904-11	s	RESISTOR NETWORK 1K (1608)
RB13	1-236-904-11	s	RESISTOR NETWORK 1K (1608)
RB14	1-236-904-11	s	RESISTOR NETWORK 1K (1608)
RB15	1-236-904-11	s	RESISTOR NETWORK 1K (1608)
RB16	1-236-904-11	s	RESISTOR NETWORK 1K (1608)
RB17	1-236-904-11	s	RESISTOR NETWORK 1K (1608)
RB18	1-236-904-11	s	RESISTOR NETWORK 1K (1608)
RB19	1-236-904-11	s	RESISTOR NETWORK 1K (1608)
RB20	1-236-904-11	s	RESISTOR NETWORK 1K (1608)
RB21	1-236-904-11	s	RESISTOR NETWORK 1K (1608)
RB22	1-236-904-11	s	RESISTOR NETWORK 1K (1608)
RB23	1-236-904-11	s	RESISTOR NETWORK 1K (1608)
RB24	1-236-904-11	s	RESISTOR NETWORK 1K (1608)
RB25	1-236-904-11	s	RESISTOR NETWORK 1K (1608)
RB101	1-236-904-11	s	RESISTOR NETWORK 1K (1608)
RB102	1-236-904-11	s	RESISTOR NETWORK 1K (1608)
RB103	1-236-904-11	s	RESISTOR NETWORK 1K (1608)
RB104	1-236-904-11	s	RESISTOR NETWORK 1K (1608)
RB901	1-239-412-11	s	NETWORK, RESISTOR 100 (1608)
RB902	1-239-412-11	s	NETWORK, RESISTOR 100 (1608)
RB903	1-239-711-11	s	NETWORK, RESISTOR 0 (1608)
RB904	1-236-904-11	s	RESISTOR NETWORK 1K (1608)
RB905	1-236-904-11	s	RESISTOR NETWORK 1K (1608)
RB906	1-239-711-11	s	NETWORK, RESISTOR 0 (1608)
RB908	1-239-412-11	s	NETWORK, RESISTOR 100 (1608)
RB910	1-236-904-11	s	RESISTOR NETWORK 1K (1608)
RB1101*2	1-236-904-11	s	RESISTOR NETWORK 1K (1608)

-----  
DPR-36H BOARD suffix 22, 23  
-----

Ref. No.

or Q'ty Part No. SP Description

1pc	A-8275-361-B	o	MOUNTED CIRCUIT BOARD, DPR-36HP
1pc	3-171-453-03	o	PLATE (L), SHIELD, CARD
1pc	3-171-454-02	o	SHEET (L), CARD
1pc	7-682-902-11	s	SCREW +PWH 2.6x5
1pc	3-179-084-01	s	LEVER (R), PC BOARD
1pc	3-179-085-01	s	LEVER (L), PC BOARD
C1	1-163-033-00	s	CERAMIC, CHIP 0.022uF 50V (2125)
C2	1-163-033-00	s	CERAMIC, CHIP 0.022uF 50V (2125)
C3	1-135-216-11	s	TANTALUM, CHIP 10uF 20% 10V
C4	1-135-216-11	s	TANTALUM, CHIP 10uF 20% 10V
C5	1-163-033-00	s	CERAMIC, CHIP 0.022uF 50V (2125)
C6	*2 1-126-392-11	s	ELECT, CHIP 100uF 20% 6.3V
	*1 1-126-412-11	s	ELECT 220uF 20% 4V
C7	1-163-033-00	s	CERAMIC, CHIP 0.022uF 50V (2125)
C8	*2 1-126-392-11	s	ELECT, CHIP 100uF 20% 6.3V
	*1 1-126-412-11	s	ELECT 220uF 20% 4V
C9	1-163-033-00	s	CERAMIC, CHIP 0.022uF 50V (2125)
C15	*1 1-163-033-00	s	CERAMIC, CHIP 0.022uF 50V (2125)
C25	*1 1-163-033-00	s	CERAMIC, CHIP 0.022uF 50V (2125)
C28	*1 1-163-033-00	s	CERAMIC, CHIP 0.022uF 50V (2125)
C36	*1 1-163-033-00	s	CERAMIC, CHIP 0.022uF 50V (2125)
C38	1-163-033-00	s	CERAMIC, CHIP 0.022uF 50V (2125)
C67-70	1-163-033-00	s	CERAMIC, CHIP 0.022uF 50V (2125)
C71-74	1-135-216-11	s	TANTALUM, CHIP 10uF 20% 10V
C75-110	1-163-033-00	s	CERAMIC, CHIP 0.022uF 50V (2125)
C143-160	1-163-033-00	s	CERAMIC, CHIP 0.022uF 50V (2125)
C167	*1 1-163-033-00	s	CERAMIC, CHIP 0.022uF 50V (2125)
C169	*1 1-163-033-00	s	CERAMIC, CHIP 0.022uF 50V (2125)
C171	*1 1-163-033-00	s	CERAMIC, CHIP 0.022uF 50V (2125)
C173	*1 1-163-033-00	s	CERAMIC, CHIP 0.022uF 50V (2125)
C175	*1 1-163-033-00	s	CERAMIC, CHIP 0.022uF 50V (2125)
C177	*1 1-163-033-00	s	CERAMIC, CHIP 0.022uF 50V (2125)
C180	1-163-033-00	s	CERAMIC, CHIP 0.022uF 50V (2125)
C182	1-163-033-00	s	CERAMIC, CHIP 0.022uF 50V (2125)
C184	1-163-033-00	s	CERAMIC, CHIP 0.022uF 50V (2125)
C186	1-163-033-00	s	CERAMIC, CHIP 0.022uF 50V (2125)
C188	1-163-033-00	s	CERAMIC, CHIP 0.022uF 50V (2125)
C190-210	1-163-033-00	s	CERAMIC, CHIP 0.022uF 50V (2125)
C211	1-163-227-11	s	CERAMIC, CHIP 10pF 5% 50V (2125)
C212	1-163-227-11	s	CERAMIC, CHIP 10pF 5% 50V (2125)
C213	*2 1-163-227-11	s	CERAMIC, CHIP 10pF 5% 50V (2125)
	*1 1-216-049-00	s	RES, METAL, CHIP 1.0K 5% 1/10W (2125)
C214	*2 1-163-227-11	s	CERAMIC, CHIP 10pF 5% 50V (2125)
	*1 1-216-049-00	s	RES, METAL, CHIP 1.0K 5% 1/10W (2125)
C215	1-163-227-11	s	CERAMIC, CHIP 10pF 5% 50V (2125)
C216	1-163-227-11	s	CERAMIC, CHIP 10pF 5% 50V (2125)
C217	1-163-033-00	s	CERAMIC, CHIP 0.022uF 50V (2125)
C218	1-135-216-11	s	TANTALUM, CHIP 10uF 20% 10V
C219-227	1-163-033-00	s	CERAMIC, CHIP 0.022uF 50V (2125)
C228	1-135-216-11	s	TANTALUM, CHIP 10uF 20% 10V
C229-232	*3 1-163-033-00	s	CERAMIC, CHIP 0.022uF 50V (2125)
C233-243	1-163-033-00	s	CERAMIC, CHIP 0.022uF 50V (2125)
C244	1-135-216-11	s	TANTALUM, CHIP 10uF 20% 10V

-----  
\*1: Board No. suffix 22 only

\*2: Board No. suffix 23 or higher

\*3: LOT No. 307 through 312  
-----



(DPR-36H BOARD suffix 22, 23)

Ref. No. or Q'ty	Part No.	SP	Description
C256-259	1-163-033-00	s	CERAMIC, CHIP 0.022uF 50V (2125)
C260-263	1-126-412-11	s	ELECT 220uF 20% 4V
C270-276	1-163-033-00	s	CERAMIC, CHIP 0.022uF 50V (2125)
C604	*2 1-126-392-11	s	ELECT, CHIP 100uF 20% 6.3V
	*1 1-126-412-11	s	ELECT 220uF 20% 4V
C701	1-163-033-00	s	CERAMIC, CHIP 0.022uF 50V (2125)
C703	*1 1-163-033-00	s	CERAMIC, CHIP 0.022uF 50V (2125)
C704	*1 1-163-033-00	s	CERAMIC, CHIP 0.022uF 50V (2125)
C705-714	1-163-033-00	s	CERAMIC, CHIP 0.022uF 50V (2125)
C716	*1 1-163-033-00	s	CERAMIC, CHIP 0.022uF 50V (2125)
C717	*1 1-135-216-11	s	TANTALUM, CHIP 10uF 20% 10V
C719	*2 1-163-009-11	s	CERAMIC, CHIP 1000pF 10% 50V
	*1 1-102-074-00	s	CERAMIC 1000pF 10% 50V
C900	1-163-033-00	s	CERAMIC, CHIP 0.022uF 50V (2125)
C901	*4 1-163-033-00	s	CERAMIC, CHIP 0.022uF 50V (2125)
C902	*4 1-163-033-00	s	CERAMIC, CHIP 0.022uF 50V (2125)
C903	1-163-033-00	s	CERAMIC, CHIP 0.022uF 50V (2125)
C904	*1 1-163-033-00	s	CERAMIC, CHIP 0.022uF 50V (2125)
C905	1-163-033-00	s	CERAMIC, CHIP 0.022uF 50V (2125)
C906	1-126-392-11	s	ELECT, CHIP 100uF 20% 6.3V
C907-916	*1 1-163-033-00	s	CERAMIC, CHIP 0.022uF 50V (2125)
C919	*1 1-126-412-11	s	ELECT 220uF 20% 4V
C920	*1 1-126-412-11	s	ELECT 220uF 20% 4V
C921	1-135-216-11	s	TANTALUM, CHIP 10uF 20% 10V
C922	1-163-033-00	s	CERAMIC, CHIP 0.022uF 50V (2125)
C923	1-163-033-00	s	CERAMIC, CHIP 0.022uF 50V (2125)
C924	*2 1-163-033-00	s	CERAMIC, CHIP 0.022uF 50V (2125)
C926-929	*1 1-163-033-00	s	CERAMIC, CHIP 0.022uF 50V (2125)
C938	1-163-033-00	s	CERAMIC, CHIP 0.022uF 50V (2125)
C939	*1 1-163-033-00	s	CERAMIC, CHIP 0.022uF 50V (2125)
C940	*1 1-163-033-00	s	CERAMIC, CHIP 0.022uF 50V (2125)
C941	1-163-033-00	s	CERAMIC, CHIP 0.022uF 50V (2125)
C942	1-163-033-00	s	CERAMIC, CHIP 0.022uF 50V (2125)
C945	1-163-033-00	s	CERAMIC, CHIP 0.022uF 50V (2125)
C950	*2 1-135-216-11	s	TANTALUM, CHIP 10uF 20% 10V
C951	*2 1-163-033-00	s	CERAMIC, CHIP 0.022uF 50V (2125)
C1004-1007	*2 1-163-241-11	s	CERAMIC, CHIP 39pF 5% 50V (2125)
	*1 1-162-213-31	s	CERAMIC 39pF 5% 50V
CN116	1-573-600-21	s	CONNECTOR, PHEC 100P, MALE
CN117	1-573-600-21	s	CONNECTOR, PHEC 100P, MALE
CN118	1-573-600-21	s	CONNECTOR, PHEC 100P, MALE
CN1001	1-750-667-11	s	CONNECTOR, B-B 100P
D701	*1 8-719-800-76	s	DIODE 1SS226
FL1	1-239-719-11	s	FILTER, NOISE, CHIP
FL2	*1 1-239-719-11	s	FILTER, NOISE, CHIP
FL3	1-239-719-11	s	FILTER, NOISE, CHIP
FL4	1-239-719-11	s	FILTER, NOISE, CHIP
FL21-36	1-239-719-11	s	FILTER, NOISE, CHIP
IC1	8-759-548-77	s	IC SN74LV245ANSR
IC2	8-759-926-49	s	IC SN74HC245ANS
IC4	8-759-985-84	s	IC 74AC574SJ

-----  
 \*1: Board No. suffix 22 only  
 \*2: Board No. suffix 23 or higher

(DPR-36H BOARD suffix 22, 23)

Ref. No. or Q'ty	Part No.	SP	Description
IC25-28	8-759-548-77	s	IC SN74LV245ANSR
IC29	*2 8-759-325-89	s	IC CXD8928R
	*1 8-759-177-74	s	IC CXD8808R
IC30-34	8-759-482-53	s	IC HM62W8127HBJP-27Z
IC35	*2 8-759-325-88	s	IC CXD8929R
	*1 8-759-177-75	s	IC CXD8809R
IC36	8-759-177-49	s	IC HM62W9127HJP-35
IC37	8-759-177-49	s	IC HM62W9127HJP-35
IC45	8-759-199-86	s	IC CXD8807BR
IC46	8-759-985-84	s	IC 74AC574SJ
IC47	8-759-985-84	s	IC 74AC574SJ
IC51-62	8-759-482-20	s	IC IDT71V124S15Y-TL
IC63-67	8-752-365-06	s	IC CXK48324R-1
IC68	8-759-548-77	s	IC SN74LV245ANSR
IC69	8-759-177-76	s	IC CXD8811AQ
IC70	*3 8-759-177-53	s	IC HM62W8127HJP-35
IC71	*3 8-759-177-53	s	IC HM62W8127HJP-35
IC72	8-759-548-77	s	IC SN74LV245ANSR
IC73	8-759-177-77	s	IC CXD8824AQ
IC74	8-759-482-20	s	IC IDT71V124S15Y-TL
IC75	8-759-548-77	s	IC SN74LV245ANSR
IC401	*1 8-759-985-25	s	IC 74AC32SJ
IC500	*1 8-759-987-82	s	IC 74AC00SJ
IC501	*1 8-759-925-90	s	IC SN74HC74ANS
IC502	*1 8-759-926-18	s	IC SN74HC157ANS
IC701	8-759-925-90	s	IC SN74HC74ANS
IC703	*1 8-759-925-90	s	IC SN74HC74ANS
IC704	*1 8-759-987-82	s	IC 74AC00SJ
IC705	8-759-196-73	s	IC UPD485505G-25
IC706	8-759-925-90	s	IC SN74HC74ANS
IC707	8-759-673-36	s	IC MM74HC00SJX
IC708	8-759-925-90	s	IC SN74HC74ANS
IC709	8-759-926-74	s	IC SN74HC393ANS
IC710	8-759-673-45	s	IC MM74HC08SJX
IC711	8-759-673-36	s	IC MM74HC00SJX
IC712	8-759-673-36	s	IC MM74HC00SJX
IC713	8-759-926-98	s	IC SN74HC4040ANS
IC714	8-759-232-52	s	IC TC74HC133AF
IC716	*1 8-759-239-55	s	IC TC74HC123AF
IC900	8-759-926-18	s	IC SN74HC157ANS
IC901	8-759-985-23	s	IC 74AC14SJ
IC902	*2 8-759-482-24	s	IC IDT71V016S20Y-TL
IC903	*1 8-759-147-05	s	IC UPD42101G-3
IC904	*1 8-759-188-01	s	IC CXD8855R
IC906	8-759-985-77	s	IC 74AC540SJ
IC907	8-759-548-77	s	IC SN74LV245ANSR
IC910	8-759-440-94	s	IC SN74LVT245ANS
IC911	8-759-253-97	s	IC CXD8859AQ
IC912	*1 8-759-188-00	s	IC CXD8863Q
IC914	8-759-985-23	s	IC 74AC14SJ
IC915	*2 8-759-926-49	s	IC SN74HC245ANS
IC920	*2 8-759-269-09	s	IC SN74HCT04ANS
L1	1-410-803-11	s	INDUCTOR, CHIP 0.047uH
L2	1-410-803-11	s	INDUCTOR, CHIP 0.047uH
L3-6	1-424-643-11	s	COIL, CHOKE 10uH

-----  
 \*3: LOT No. 307 through 312  
 \*4: LOT No. 401 or higher

(DPR-36H BOARD suffix 22, 23)

Ref. No. or Q'ty	Part No.	SP Description
L8	1-424-643-11	s COIL, CHOKE 10uH
L10	1-410-803-11	s INDUCTOR, CHIP 0.047uH
L13-16	1-410-803-11	s INDUCTOR, CHIP 0.047uH
L19	1-410-803-11	s INDUCTOR, CHIP 0.047uH
L20	1-410-803-11	s INDUCTOR, CHIP 0.047uH
L900	1-424-643-11	s COIL, CHOKE 10uH
L901	1-410-803-11	s INDUCTOR, CHIP 0.047uH
L915	*2 1-410-803-11	s INDUCTOR, CHIP 0.047uH
PS1-6	△ 1-533-348-11	s LINK, IC, CHIP 4A
R1	1-216-033-00	s METAL, CHIP 220 5% 1/10W (2125)
R2	1-216-295-00	s METAL, CHIP 0 (2125)
R3	1-216-033-00	s METAL, CHIP 220 5% 1/10W (2125)
R4	1-216-295-00	s METAL, CHIP 0 (2125)
R5	1-216-033-00	s METAL, CHIP 220 5% 1/10W (2125)
R6	1-216-033-00	s METAL, CHIP 220 5% 1/10W (2125)
R7	1-216-295-00	s METAL, CHIP 0 (2125)
R8	1-216-033-00	s METAL, CHIP 220 5% 1/10W (2125)
R9	1-216-295-00	s METAL, CHIP 0 (2125)
R10	1-216-033-00	s METAL, CHIP 220 5% 1/10W (2125)
R11	1-216-295-00	s METAL, CHIP 0 (2125)
R12	1-216-033-00	s METAL, CHIP 220 5% 1/10W (2125)
R13	1-216-033-00	s METAL, CHIP 220 5% 1/10W (2125)
R14	1-216-295-00	s METAL, CHIP 0 (2125)
R15	1-216-033-00	s METAL, CHIP 220 5% 1/10W (2125)
R16	1-216-295-00	s METAL, CHIP 0 (2125)
R17	1-216-033-00	s METAL, CHIP 220 5% 1/10W (2125)
R18	1-216-033-00	s METAL, CHIP 220 5% 1/10W (2125)
R19	1-216-033-00	s METAL, CHIP 220 5% 1/10W (2125)
R65-72*1	1-216-295-00	s METAL, CHIP 0 (2125)
R80	*1 1-216-049-00	s METAL, CHIP 1.0K 5% 1/10W (2125)
R81	1-216-049-00	s METAL, CHIP 1.0K 5% 1/10W (2125)
R157	*1 1-216-295-00	s METAL, CHIP 0 (2125)
R159	*1 1-216-295-00	s METAL, CHIP 0 (2125)
R161	*1 1-216-295-00	s METAL, CHIP 0 (2125)
R163	*1 1-216-295-00	s METAL, CHIP 0 (2125)
R200	1-216-295-00	s METAL, CHIP 0 (2125)
R201	1-216-049-00	s METAL, CHIP 1.0K 5% 1/10W (2125)
R315	1-216-049-00	s METAL, CHIP 1.0K 5% 1/10W (2125)
R334	1-216-049-00	s METAL, CHIP 1.0K 5% 1/10W (2125)
R389	1-216-033-00	s METAL, CHIP 220 5% 1/10W (2125)
R390	1-216-049-00	s METAL, CHIP 1.0K 5% 1/10W (2125)
R391	1-216-049-00	s METAL, CHIP 1.0K 5% 1/10W (2125)
R394	*1 1-216-049-00	s METAL, CHIP 1.0K 5% 1/10W (2125)
R395	*1 1-216-049-00	s METAL, CHIP 1.0K 5% 1/10W (2125)
R398	*1 1-216-049-00	s METAL, CHIP 1.0K 5% 1/10W (2125)
R399	*1 1-216-049-00	s METAL, CHIP 1.0K 5% 1/10W (2125)
R701	*1 1-216-049-00	s METAL, CHIP 1.0K 5% 1/10W (2125)
R702	*1 1-216-105-11	s METAL, CHIP 220K 5% 1/10W (2125)
R703-706	*3 1-249-417-11	s CARBON 1.0K 5% 1/4W
R906	*2 1-216-049-00	s METAL, CHIP 1.0K 5% 1/10W (2125)
R907	*1 1-216-295-00	s METAL, CHIP 0 (2125)
R911	*2 1-216-295-00	s METAL, CHIP 0 (2125)
R912	*2 1-216-295-00	s METAL, CHIP 0 (2125)
R953	*1 1-216-073-00	s METAL, CHIP 10K 5% 1/10W (2125)

-----  
 \*1: Board No. suffix 22 only  
 \*2: Board No. suffix 23 or higher

(DPR-36H BOARD suffix 22, 23)

Ref. No. or Q'ty	Part No.	SP Description
R954	1-216-033-00	s METAL, CHIP 220 5% 1/10W (2125)
R955-961	*1 1-216-295-00	s METAL, CHIP 0 (2125)
R964	1-216-033-00	s METAL, CHIP 220 5% 1/10W (2125)
R965	*1 1-216-049-00	s METAL, CHIP 1.0K 5% 1/10W (2125)
R966	1-216-033-00	s METAL, CHIP 220 5% 1/10W (2125)
R967	*1 1-216-049-00	s METAL, CHIP 1.0K 5% 1/10W (2125)
R968	*1 1-216-049-00	s METAL, CHIP 1.0K 5% 1/10W (2125)
R973	1-216-295-00	s METAL, CHIP 0 (2125)
R974	1-216-033-00	s METAL, CHIP 220 5% 1/10W (2125)
R975	1-216-295-00	s METAL, CHIP 0 (2125)
R976	1-216-295-00	s METAL, CHIP 0 (2125)
R978	1-216-295-00	s METAL, CHIP 0 (2125)
R980	1-216-033-00	s METAL, CHIP 220 5% 1/10W (2125)
R981	*1 1-216-073-00	s METAL, CHIP 10K 5% 1/10W (2125)
R990	*2 1-216-073-00	s METAL, CHIP 10K 5% 1/10W (2125)
R991	*2 1-216-295-00	s METAL, CHIP 0 (2125)
R992	*2 1-216-295-00	s METAL, CHIP 0 (2125)
R994	*2 1-216-295-00	s METAL, CHIP 0 (2125)
R995	*2 1-216-295-00	s METAL, CHIP 0 (2125)
R998	*2 1-216-295-00	s METAL, CHIP 0 (2125)
RB1	1-239-628-11	s RES, NETWORK, CHIP 220x8
RB2	1-239-628-11	s RES, NETWORK, CHIP 220x8
RB4-7	1-239-628-11	s RES, NETWORK, CHIP 220x8
RB8-25	1-236-904-11	s RES, NETWORK, CHIP 1Kx4
RB901	*2 1-239-412-11	s RES, NETWORK, CHIP 100x4
RB902	*2 1-239-412-11	s RES, NETWORK, CHIP 100x4
RB903	*2 1-239-412-11	s RES, NETWORK, CHIP 100x4
RB904	*2 1-236-904-11	s RES, NETWORK, CHIP 1Kx4
RB905	*2 1-236-904-11	s RES, NETWORK, CHIP 1Kx4
RB906	*2 1-239-412-11	s RES, NETWORK, CHIP 100x4
RB908	*2 1-239-412-11	s RES, NETWORK, CHIP 100x4
RB910	*2 1-236-904-11	s RES, NETWORK, CHIP 1Kx4

-----  
 DU-91 BOARD for DVW-CA510P  
 -----

Ref. No. or Q'ty	Part No.	SP Description
3pcs	1-613-049-11	o PRINTED CIRCUIT BOARD, DU-91
PH1	8-719-990-99	s PHOTO-INTERRUPTER GP-1S52V

-----  
 \*3: LOT No. 307 through 312

-----  
 DUS-744 BOARD  
 -----

Ref. No. or Q'ty	Part No.	SP Description
1pc	1-651-604-11	o PRINTED CIRCUIT BOARD, DUS-744
C1	1-162-915-11	s CERAMIC, CHIP 10pF 50V (1608)
IC1	8-759-196-93	s IC TC7SH00FH
R1	1-216-823-11	s METAL, CHIP 1.5K 5% 1/16W (1608)

-----  
 EQ-45B BOARD for DVW-510P, LOT No. 302 through 001  
 -----

Ref. No. or Q'ty	Part No.	SP Description
1pc	A-8275-358-A	o MOUNTED CIRCUIT BOARD, EQ-45BP
1pc	3-179-084-01	s LEVER (R), PC BOARD
1pc	3-179-085-01	s LEVER (L), PC BOARD
6pcs	3-182-839-01	o BRACKET, HEAT SINK RETAINER
2pcs	3-182-840-01	o HEAT SINK (EQ) For IC401, 501
4pcs	3-185-973-01	o HEAT SINK (PLL) For IC801-804
C1	1-126-396-11	s ELECT, CHIP 47uF 20% 16V
C2	1-162-970-11	s CERAMIC, CHIP 0.01uF 10% 25V (1608)
C3	1-126-392-11	s ELECT, CHIP 100uF 20% 6.3V
C4	1-162-970-11	s CERAMIC, CHIP 0.01uF 10% 25V (1608)
C5	1-126-392-11	s ELECT, CHIP 100uF 20% 6.3V
C6	1-162-970-11	s CERAMIC, CHIP 0.01uF 10% 25V (1608)
C7	1-126-396-11	s ELECT, CHIP 47uF 20% 16V
C8	1-162-970-11	s CERAMIC, CHIP 0.01uF 10% 25V (1608)
C100	1-164-156-11	s CERAMIC, CHIP 0.1uF 25V (1608)
C101-107	1-162-970-11	s CERAMIC, CHIP 0.01uF 10% 25V (1608)
C108	1-126-399-11	s ELECT, CHIP 10uF 20% 35V
C109	1-162-970-11	s CERAMIC, CHIP 0.01uF 10% 25V (1608)
C110	1-162-970-11	s CERAMIC, CHIP 0.01uF 10% 25V (1608)
C111	1-126-399-11	s ELECT, CHIP 10uF 20% 35V
C113	1-162-970-11	s CERAMIC, CHIP 0.01uF 10% 25V (1608)
C114	1-126-399-11	s ELECT, CHIP 10uF 20% 35V
C115	1-162-970-11	s CERAMIC, CHIP 0.01uF 10% 25V (1608)
C116	1-164-156-11	s CERAMIC, CHIP 0.1uF 25V (1608)
C117-120	1-162-970-11	s CERAMIC, CHIP 0.01uF 10% 25V (1608)
C121	1-164-156-11	s CERAMIC, CHIP 0.1uF 25V (1608)
C122	1-162-970-11	s CERAMIC, CHIP 0.01uF 10% 25V (1608)
C123	1-126-392-11	s ELECT, CHIP 100uF 20% 6.3V
C400	1-162-927-11	s CERAMIC, CHIP 100pF 5% 50V (1608)
C403-408	1-164-156-11	s CERAMIC, CHIP 0.1uF 25V (1608)
C409	1-162-970-11	s CERAMIC, CHIP 0.01uF 10% 25V (1608)
C411	1-164-315-11	s CERAMIC, CHIP 470pF 5% 50V (1608)
C412	1-164-315-11	s CERAMIC, CHIP 470pF 5% 50V (1608)
C413	1-164-156-11	s CERAMIC, CHIP 0.1uF 25V (1608)
C414	1-162-970-11	s CERAMIC, CHIP 0.01uF 10% 25V (1608)
C415-418	1-164-156-11	s CERAMIC, CHIP 0.1uF 25V (1608)
C420	1-164-156-11	s CERAMIC, CHIP 0.1uF 25V (1608)
C421	1-164-156-11	s CERAMIC, CHIP 0.1uF 25V (1608)
C422	1-162-970-11	s CERAMIC, CHIP 0.01uF 10% 25V (1608)
C423	1-162-970-11	s CERAMIC, CHIP 0.01uF 10% 25V (1608)
C424	1-164-156-11	s CERAMIC, CHIP 0.1uF 25V (1608)
C426	1-164-156-11	s CERAMIC, CHIP 0.1uF 25V (1608)
C427	1-164-156-11	s CERAMIC, CHIP 0.1uF 25V (1608)
C428	1-135-210-11	s TANTALUM, CHIP 4.7uF 20% 10V
C429	1-164-217-11	s CERAMIC, CHIP 150pF 5% 50V (1608)
C430	1-164-217-11	s CERAMIC, CHIP 150pF 5% 50V (1608)
C431	1-135-210-11	s TANTALUM, CHIP 4.7uF 20% 10V
C432	1-164-217-11	s CERAMIC, CHIP 150pF 5% 50V (1608)
C433-435	1-164-156-11	s CERAMIC, CHIP 0.1uF 25V (1608)
C436	1-162-970-11	s CERAMIC, CHIP 0.01uF 10% 25V (1608)
C437	1-164-156-11	s CERAMIC, CHIP 0.1uF 25V (1608)
C438	1-164-156-11	s CERAMIC, CHIP 0.1uF 25V (1608)
C439	1-162-909-11	s CERAMIC, CHIP 4pF 50V (1608)
C440	1-162-924-11	s CERAMIC, CHIP 56pF 5% 50V (1608)
C441-443	1-164-156-11	s CERAMIC, CHIP 0.1uF 25V (1608)
C444	1-162-970-11	s CERAMIC, CHIP 0.01uF 10% 25V (1608)

(EQ-45B BOARD for DVW-510P, LOT No. 302 through 001)

(EQ-45B BOARD for DVW-510P, LOT No. 302 through 001)

Ref. No. or Q'ty	Part No.	SP Description	Ref. No. or Q'ty	Part No.	SP Description
C445-452	1-164-156-11	s CERAMIC, CHIP 0.1uF 25V (1608)	C812	1-164-315-11	s CERAMIC, CHIP 470pF 5% 50V (1608)
C454-457	1-164-156-11	s CERAMIC, CHIP 0.1uF 25V (1608)	C813	1-162-919-11	s CERAMIC, CHIP 22pF 5% 50V (1608)
C458	1-162-915-11	s CERAMIC, CHIP 10pF 50V (1608)	C814	1-162-970-11	s CERAMIC, CHIP 0.01uF 10% 25V (1608)
C460	1-126-404-11	s ELECT, CHIP 4.7uF 20% 50V	C815	1-162-923-11	s CERAMIC, CHIP 47pF 5% 50V (1608)
C461	1-162-963-11	s CERAMIC, CHIP 680pF 10% 50V (1608)	C816	1-164-156-11	s CERAMIC, CHIP 0.1uF 25V (1608)
C462	1-162-967-11	s CERAMIC, CHIP 3300pF 10% 50V (1608)	C817	1-164-156-11	s CERAMIC, CHIP 0.1uF 25V (1608)
C463	1-164-156-11	s CERAMIC, CHIP 0.1uF 25V (1608)	C818	1-162-919-11	s CERAMIC, CHIP 22pF 5% 50V (1608)
C464	1-164-156-11	s CERAMIC, CHIP 0.1uF 25V (1608)	C819	1-162-927-11	s CERAMIC, CHIP 100pF 5% 50V (1608)
C482	1-164-156-11	s CERAMIC, CHIP 0.1uF 25V (1608)	C820	1-162-970-11	s CERAMIC, CHIP 0.01uF 10% 25V (1608)
C483	1-164-156-11	s CERAMIC, CHIP 0.1uF 25V (1608)	C821-823	1-126-392-11	s ELECT, CHIP 100uF 20% 6.3V
C500	1-162-927-11	s CERAMIC, CHIP 100pF 5% 50V (1608)	C824	1-162-927-11	s CERAMIC, CHIP 100pF 5% 50V (1608)
C503-505	1-164-156-11	s CERAMIC, CHIP 0.1uF 25V (1608)	C825	1-162-927-11	s CERAMIC, CHIP 100pF 5% 50V (1608)
C507	1-164-156-11	s CERAMIC, CHIP 0.1uF 25V (1608)	C826	1-162-970-11	s CERAMIC, CHIP 0.01uF 10% 25V (1608)
C508	1-164-156-11	s CERAMIC, CHIP 0.1uF 25V (1608)	C827	1-162-927-11	s CERAMIC, CHIP 100pF 5% 50V (1608)
C509	1-162-970-11	s CERAMIC, CHIP 0.01uF 10% 25V (1608)	C829	1-162-970-11	s CERAMIC, CHIP 0.01uF 10% 25V (1608)
C511	1-164-315-11	s CERAMIC, CHIP 470pF 5% 50V (1608)	C830	1-162-927-11	s CERAMIC, CHIP 100pF 5% 50V (1608)
C512	1-164-315-11	s CERAMIC, CHIP 470pF 5% 50V (1608)	C831	1-162-927-11	s CERAMIC, CHIP 100pF 5% 50V (1608)
C515-518	1-164-156-11	s CERAMIC, CHIP 0.1uF 25V (1608)	C832	1-162-970-11	s CERAMIC, CHIP 0.01uF 10% 25V (1608)
C520	1-164-156-11	s CERAMIC, CHIP 0.1uF 25V (1608)	C833	1-162-970-11	s CERAMIC, CHIP 0.01uF 10% 25V (1608)
C521	1-164-156-11	s CERAMIC, CHIP 0.1uF 25V (1608)	C834-836	1-164-156-11	s CERAMIC, CHIP 0.1uF 25V (1608)
C522	1-162-970-11	s CERAMIC, CHIP 0.01uF 10% 25V (1608)	C837	1-135-145-11	s TANTALUM, CHIP 0.47uF 10% 35V
C523	1-162-970-11	s CERAMIC, CHIP 0.01uF 10% 25V (1608)	C838	1-126-392-11	s ELECT, CHIP 100uF 20% 6.3V
C524	1-164-156-11	s CERAMIC, CHIP 0.1uF 25V (1608)	C839	1-126-392-11	s ELECT, CHIP 100uF 20% 6.3V
C526	1-164-156-11	s CERAMIC, CHIP 0.1uF 25V (1608)	C840	1-162-970-11	s CERAMIC, CHIP 0.01uF 10% 25V (1608)
C527	1-164-156-11	s CERAMIC, CHIP 0.1uF 25V (1608)	C841	1-164-156-11	s CERAMIC, CHIP 0.1uF 25V (1608)
C528	1-135-210-11	s TANTALUM, CHIP 4.7uF 20% 10V	C842	1-162-970-11	s CERAMIC, CHIP 0.01uF 10% 25V (1608)
C529	1-164-217-11	s CERAMIC, CHIP 150pF 5% 50V (1608)	C843	1-162-970-11	s CERAMIC, CHIP 0.01uF 10% 25V (1608)
C530	1-164-217-11	s CERAMIC, CHIP 150pF 5% 50V (1608)	C844	1-164-315-11	s CERAMIC, CHIP 470pF 5% 50V (1608)
C531	1-135-210-11	s TANTALUM, CHIP 4.7uF 20% 10V	C848	1-164-156-11	s CERAMIC, CHIP 0.1uF 25V (1608)
C532	1-164-217-11	s CERAMIC, CHIP 150pF 5% 50V (1608)	C849	1-164-156-11	s CERAMIC, CHIP 0.1uF 25V (1608)
C533-535	1-164-156-11	s CERAMIC, CHIP 0.1uF 25V (1608)	C852	1-162-970-11	s CERAMIC, CHIP 0.01uF 10% 25V (1608)
C536	1-162-970-11	s CERAMIC, CHIP 0.01uF 10% 25V (1608)	C853-855	1-126-392-11	s ELECT, CHIP 100uF 20% 6.3V
C537	1-164-156-11	s CERAMIC, CHIP 0.1uF 25V (1608)	C856	1-162-927-11	s CERAMIC, CHIP 100pF 5% 50V (1608)
C538	1-164-156-11	s CERAMIC, CHIP 0.1uF 25V (1608)	C857	1-162-927-11	s CERAMIC, CHIP 100pF 5% 50V (1608)
C539	1-162-909-11	s CERAMIC, CHIP 4pF 50V (1608)	C858	1-162-970-11	s CERAMIC, CHIP 0.01uF 10% 25V (1608)
C540	1-162-924-11	s CERAMIC, CHIP 56pF 5% 50V (1608)	C859	1-162-927-11	s CERAMIC, CHIP 100pF 5% 50V (1608)
C541-543	1-164-156-11	s CERAMIC, CHIP 0.1uF 25V (1608)	C861	1-162-970-11	s CERAMIC, CHIP 0.01uF 10% 25V (1608)
C544	1-162-970-11	s CERAMIC, CHIP 0.01uF 10% 25V (1608)	C862	1-162-927-11	s CERAMIC, CHIP 100pF 5% 50V (1608)
C545-552	1-164-156-11	s CERAMIC, CHIP 0.1uF 25V (1608)	C863	1-162-927-11	s CERAMIC, CHIP 100pF 5% 50V (1608)
C554-557	1-164-156-11	s CERAMIC, CHIP 0.1uF 25V (1608)	C864	1-162-970-11	s CERAMIC, CHIP 0.01uF 10% 25V (1608)
C558	1-162-915-11	s CERAMIC, CHIP 10pF 50V (1608)	C865	1-162-970-11	s CERAMIC, CHIP 0.01uF 10% 25V (1608)
C560	1-126-404-11	s ELECT, CHIP 4.7uF 20% 50V	C873	1-126-392-11	s ELECT, CHIP 100uF 20% 6.3V
C561	1-162-963-11	s CERAMIC, CHIP 680pF 10% 50V (1608)	C874	1-162-970-11	s CERAMIC, CHIP 0.01uF 10% 25V (1608)
C562	1-162-967-11	s CERAMIC, CHIP 3300pF 10% 50V (1608)	C875	1-164-156-11	s CERAMIC, CHIP 0.1uF 25V (1608)
C563	1-164-156-11	s CERAMIC, CHIP 0.1uF 25V (1608)	C876	1-162-970-11	s CERAMIC, CHIP 0.01uF 10% 25V (1608)
C564	1-164-156-11	s CERAMIC, CHIP 0.1uF 25V (1608)	C877	1-162-970-11	s CERAMIC, CHIP 0.01uF 10% 25V (1608)
C800	1-162-927-11	s CERAMIC, CHIP 100pF 5% 50V (1608)	C878	1-162-923-11	s CERAMIC, CHIP 47pF 5% 50V (1608)
C801	1-162-970-11	s CERAMIC, CHIP 0.01uF 10% 25V (1608)	C880-887	1-164-156-11	s CERAMIC, CHIP 0.1uF 25V (1608)
C802-804	1-164-156-11	s CERAMIC, CHIP 0.1uF 25V (1608)	CN106	1-750-795-21	s CONNECTOR, PHEC 120P, MALE
C805	1-135-145-11	s TANTALUM, CHIP 0.47uF 10% 35V	CN601	1-506-471-11	o CONNECTOR, 6P, MALE
C806	1-126-392-11	s ELECT, CHIP 100uF 20% 6.3V	CN606	1-506-468-11	o CONNECTOR, 3P, MALE
C807	1-126-392-11	s ELECT, CHIP 100uF 20% 6.3V	CN607	1-506-468-11	o CONNECTOR, 3P, MALE
C808	1-162-970-11	s CERAMIC, CHIP 0.01uF 10% 25V (1608)	CP101	1-760-005-11	s OSCILLATOR, CRYSTAL 65.0287 MHZ
C809	1-164-156-11	s CERAMIC, CHIP 0.1uF 25V (1608)	D401	8-719-941-23	s DIODE DA204U
C810	1-162-970-11	s CERAMIC, CHIP 0.01uF 10% 25V (1608)	D501	8-719-941-23	s DIODE DA204U
C811	1-162-970-11	s CERAMIC, CHIP 0.01uF 10% 25V (1608)			

(EQ-45B BOARD for DVW-510P, LOT No. 302 through 001)

Ref. No. or Q'ty	Part No.	SP	Description
DL420	1-415-799-11	s	DELAY LINE
DL520	1-415-799-11	s	DELAY LINE
FL101-111			
	1-239-719-31	s	FILTER, NOISE, CHIP
FL116	1-239-719-31	s	FILTER, NOISE, CHIP
FL125	1-239-719-31	s	FILTER, NOISE, CHIP
FL126	1-239-719-31	s	FILTER, NOISE, CHIP
FL401	1-239-718-21	s	FILTER, LOW PASS
FL501	1-239-718-21	s	FILTER, LOW PASS
IC101	8-759-548-77	s	IC SN74LV245ANSR
IC102	8-759-548-77	s	IC SN74LV245ANSR
IC103	8-759-172-71	s	IC CXD8816R
IC104	8-759-548-77	s	IC SN74LV245ANSR
IC105	8-759-548-77	s	IC SN74LV245ANSR
IC107	8-759-548-77	s	IC SN74LV245ANSR
IC108	8-759-081-44	s	IC TC74VHC04F
IC109	8-759-673-36	s	IC MM74HC00SJX
IC400	8-759-234-94	s	IC TA8504F
IC401	8-752-084-12	s	IC CXA1808Q
IC402	8-759-635-27	s	IC M62352GP
IC403	8-759-300-71	s	IC HD14053BFP
IC404	8-759-234-08	s	IC TA78L05F
IC405	8-759-446-74	s	IC TA79L05F
IC406	8-759-446-74	s	IC TA79L05F
IC407	8-759-908-17	s	IC TL082CPS
IC408	8-759-195-00	s	IC UPA101G-E2
IC409	8-759-446-74	s	IC TA79L05F
IC500	8-759-234-94	s	IC TA8504F
IC501	8-752-084-12	s	IC CXA1808Q
IC503	8-759-300-71	s	IC HD14053BFP
IC504	8-759-234-08	s	IC TA78L05F
IC505	8-759-446-74	s	IC TA79L05F
IC507	8-759-908-17	s	IC TL082CPS
IC508	8-759-195-00	s	IC UPA101G-E2
IC509	8-759-446-74	s	IC TA79L05F
IC801	8-752-066-44	s	IC CXA1805Q
IC802	8-752-066-45	s	IC CXA1806Q
IC803	8-752-066-44	s	IC CXA1805Q
IC804	8-752-066-45	s	IC CXA1806Q
IC805	8-759-173-13	s	IC CXD8815Q
IC806	8-759-635-27	s	IC M62352GP
IC807	8-759-970-59	s	IC TLC272CPS
IC808	8-759-908-92	s	IC TL084CNS
IC809	8-759-970-59	s	IC TLC272CPS
IC810	8-759-908-92	s	IC TL084CNS
IC880	8-759-234-08	s	IC TA78L05F
IC881	8-759-446-74	s	IC TA79L05F
IC882	8-759-446-74	s	IC TA79L05F
IC883	8-759-446-74	s	IC TA79L05F
L101-103	1-410-803-31	s	INDUCTOR, CHIP 0.047uH
L104	1-410-377-31	s	INDUCTOR, CHIP 4.7uH
L423	1-412-190-11	s	INDUCTOR, CHIP 33uH
L424	1-412-190-11	s	INDUCTOR, CHIP 33uH
L425	1-412-206-11	s	INDUCTOR, CHIP 1.0mH

(EQ-45B BOARD for DVW-510P, LOT No. 302 through 001)

Ref. No. or Q'ty	Part No.	SP	Description
L523	1-412-190-11	s	INDUCTOR, CHIP 33uH
L524	1-412-190-11	s	INDUCTOR, CHIP 33uH
L525	1-412-206-11	s	INDUCTOR, CHIP 1.0mH
L801-811	1-410-377-31	s	INDUCTOR, CHIP 4.7uH
PS1	△ 1-533-348-11	s	LINK, IC, CHIP 4A
Q101	8-729-143-14	s	TRANSISTOR 2SC4176-B35
Q102	8-729-143-14	s	TRANSISTOR 2SC4176-B35
Q103	8-729-905-12	s	TRANSISTOR DTA144EU
Q104	8-729-905-12	s	TRANSISTOR DTA144EU
Q400	8-729-143-14	s	TRANSISTOR 2SC4176-B35
Q401	8-729-143-14	s	TRANSISTOR 2SC4176-B35
Q402	8-729-924-56	s	TRANSISTOR DTC123JU
Q403	8-729-143-07	s	TRANSISTOR 2SA1610-Y33
Q404	8-729-143-14	s	TRANSISTOR 2SC4176-B35
Q405	8-729-143-14	s	TRANSISTOR 2SC4176-B35
Q420	8-729-143-14	s	TRANSISTOR 2SC4176-B35
Q424-426	8-729-143-14	s	TRANSISTOR 2SC4176-B35
Q500	8-729-143-14	s	TRANSISTOR 2SC4176-B35
Q501	8-729-143-14	s	TRANSISTOR 2SC4176-B35
Q502	8-729-924-56	s	TRANSISTOR DTC123JU
Q503	8-729-143-07	s	TRANSISTOR 2SA1610-Y33
Q504	8-729-143-14	s	TRANSISTOR 2SC4176-B35
Q505	8-729-143-14	s	TRANSISTOR 2SC4176-B35
Q520	8-729-143-14	s	TRANSISTOR 2SC4176-B35
Q524-526	8-729-143-14	s	TRANSISTOR 2SC4176-B35
Q801	8-729-143-14	s	TRANSISTOR 2SC4176-B35
Q802	8-729-143-14	s	TRANSISTOR 2SC4176-B35
Q803	8-729-117-32	s	TRANSISTOR 2SC4177-L6
Q804	8-729-209-07	s	TRANSISTOR 2SC4213-B
Q805	8-729-209-07	s	TRANSISTOR 2SC4213-B
Q806	8-729-117-32	s	TRANSISTOR 2SC4177-L6
Q807	8-729-209-07	s	TRANSISTOR 2SC4213-B
Q808	8-729-209-07	s	TRANSISTOR 2SC4213-B
Q811-814	8-729-209-07	s	TRANSISTOR 2SC4213-B
R100	1-216-833-11	s	METAL, CHIP 10K 5% 1/16W (1608)
R101-109	1-216-813-11	s	METAL, CHIP 220 5% 1/16W (1608)
R110-115	1-216-833-11	s	METAL, CHIP 10K 5% 1/16W (1608)
R116-119	1-216-805-11	s	METAL, CHIP 47 5% 1/16W (1608)
R120-125	1-216-821-11	s	METAL, CHIP 1.0K 5% 1/16W (1608)
R126	1-216-805-11	s	METAL, CHIP 47 5% 1/16W (1608)
R127	1-216-821-11	s	METAL, CHIP 1.0K 5% 1/16W (1608)
R128-130	1-216-805-11	s	METAL, CHIP 47 5% 1/16W (1608)
R131	1-216-833-11	s	METAL, CHIP 10K 5% 1/16W (1608)
R132-135	1-216-805-11	s	METAL, CHIP 47 5% 1/16W (1608)
R136	1-216-841-11	s	METAL, CHIP 47K 5% 1/16W (1608)
R137	1-216-805-11	s	METAL, CHIP 47 5% 1/16W (1608)
R141	1-216-823-11	s	METAL, CHIP 1.5K 5% 1/16W (1608)
R142	1-216-813-11	s	METAL, CHIP 220 5% 1/16W (1608)
R143	1-216-823-11	s	METAL, CHIP 1.5K 5% 1/16W (1608)
R144	1-216-813-11	s	METAL, CHIP 220 5% 1/16W (1608)
R145	1-216-805-11	s	METAL, CHIP 47 5% 1/16W (1608)
R146	1-216-833-11	s	METAL, CHIP 10K 5% 1/16W (1608)
R147	1-216-805-11	s	METAL, CHIP 47 5% 1/16W (1608)
R148	1-216-828-11	s	METAL, CHIP 3.9K 5% 1/16W (1608)
R149	1-216-826-11	s	METAL, CHIP 2.7K 5% 1/16W (1608)

(EQ-45B BOARD for DVW-510P, LOT No. 302 through 001)

(EQ-45B BOARD for DVW-510P, LOT No. 302 through 001)

Ref. No. or Q'ty	Part No.	SP Description
R150	1-216-830-11	s METAL, CHIP 5.6K 5% 1/16W (1608)
R151	1-216-815-11	s METAL, CHIP 330 5% 1/16W (1608)
R152	1-216-805-11	s METAL, CHIP 47 5% 1/16W (1608)
R153	1-216-828-11	s METAL, CHIP 3.9K 5% 1/16W (1608)
R154	1-216-826-11	s METAL, CHIP 2.7K 5% 1/16W (1608)
R155	1-216-830-11	s METAL, CHIP 5.6K 5% 1/16W (1608)
R156	1-216-815-11	s METAL, CHIP 330 5% 1/16W (1608)
R157	1-216-805-11	s METAL, CHIP 47 5% 1/16W (1608)
R201	1-216-833-11	s METAL, CHIP 10K 5% 1/16W (1608)
R202	1-216-833-11	s METAL, CHIP 10K 5% 1/16W (1608)
R218	1-216-833-11	s METAL, CHIP 10K 5% 1/16W (1608)
R219	1-216-805-11	s METAL, CHIP 47 5% 1/16W (1608)
R224	1-216-826-11	s METAL, CHIP 47 5% 1/16W (1608)
R225	1-216-805-11	s METAL, CHIP 47 5% 1/16W (1608)
R400	1-216-821-11	s METAL, CHIP 1.0K 5% 1/16W (1608)
R401	1-216-833-11	s METAL, CHIP 10K 5% 1/16W (1608)
R402	1-216-805-11	s METAL, CHIP 47 5% 1/16W (1608)
R403	1-216-833-11	s METAL, CHIP 10K 5% 1/16W (1608)
R404	1-216-841-11	s METAL, CHIP 47K 5% 1/16W (1608)
R405	1-216-789-11	s METAL, CHIP 2.2 5% 1/16W (1608)
R406	1-216-825-11	s METAL, CHIP 2.2K 5% 1/16W (1608)
R407	1-216-805-11	s METAL, CHIP 47 5% 1/16W (1608)
R408	1-216-826-11	s METAL, CHIP 2.7K 5% 1/16W (1608)
R409	1-218-866-11	s METAL, CHIP 6.2K 0.5% 1/16W (1608)
R410	1-216-803-11	s METAL, CHIP 33 5% 1/16W (1608)
R411	1-218-881-11	s METAL, CHIP 27K 0.5% 1/16W (1608)
R412	1-216-805-11	s METAL, CHIP 47 5% 1/16W (1608)
R413	1-216-809-11	s METAL, CHIP 100 5% 1/16W (1608)
R414	1-216-819-11	s METAL, CHIP 680 5% 1/16W (1608)
R415	1-216-811-11	s METAL, CHIP 150 5% 1/16W (1608)
R416	1-216-789-11	s METAL, CHIP 2.2 5% 1/16W (1608)
R417	1-218-668-11	s METAL, CHIP 100 0.5% 1/16W (1608)
R418	1-218-680-11	s METAL, CHIP 330 0.5% 1/16W (1608)
R419	1-216-821-11	s METAL, CHIP 1.0K 5% 1/16W (1608)
R420	1-216-809-11	s METAL, CHIP 100 5% 1/16W (1608)
R421	1-216-809-11	s METAL, CHIP 100 5% 1/16W (1608)
R423	1-216-805-11	s METAL, CHIP 47 5% 1/16W (1608)
R424	1-216-819-11	s METAL, CHIP 680 5% 1/16W (1608)
R426	1-218-676-11	s METAL, CHIP 220 0.5% 1/16W (1608)
R427	1-218-688-11	s METAL, CHIP 680 0.5% 1/16W (1608)
R428	1-218-676-11	s METAL, CHIP 220 0.5% 1/16W (1608)
R429	1-216-809-11	s METAL, CHIP 100 5% 1/16W (1608)
R430	1-218-676-11	s METAL, CHIP 220 0.5% 1/16W (1608)
R431	1-218-676-11	s METAL, CHIP 220 0.5% 1/16W (1608)
R432	1-218-680-11	s METAL, CHIP 330 0.5% 1/16W (1608)
R433	1-216-825-11	s METAL, CHIP 2.2K 5% 1/16W (1608)
R434	1-216-815-11	s METAL, CHIP 330 5% 1/16W (1608)
R435	1-218-680-11	s METAL, CHIP 330 0.5% 1/16W (1608)
R436	1-218-881-11	s METAL, CHIP 27K 0.5% 1/16W (1608)
R437	1-218-700-11	s METAL, CHIP 2.2K 0.5% 1/16W (1608)
R438	1-216-809-11	s METAL, CHIP 100 5% 1/16W (1608)
R439	1-216-805-11	s METAL, CHIP 47 5% 1/16W (1608)
R440	1-216-825-11	s METAL, CHIP 2.2K 5% 1/16W (1608)
R441	1-218-842-11	s METAL, CHIP 620 0.5% 1/16W (1608)
R442	1-218-676-11	s METAL, CHIP 220 0.5% 1/16W (1608)
R443	1-218-680-11	s METAL, CHIP 330 0.5% 1/16W (1608)

Ref. No. or Q'ty	Part No.	SP Description
R444	1-216-805-11	s METAL, CHIP 47 5% 1/16W (1608)
R445	1-216-817-11	s METAL, CHIP 470 5% 1/16W (1608)
R446	1-218-664-11	s METAL, CHIP 68 0.5% 1/16W (1608)
R447	1-218-740-11	s METAL, CHIP 100K 0.5% 1/16W (1608)
R448	1-216-841-11	s METAL, CHIP 47K 5% 1/16W (1608)
R449	1-216-841-11	s METAL, CHIP 47K 5% 1/16W (1608)
R451	1-216-809-11	s METAL, CHIP 100 5% 1/16W (1608)
R452	1-216-821-11	s METAL, CHIP 1.0K 5% 1/16W (1608)
R453	1-216-821-11	s METAL, CHIP 1.0K 5% 1/16W (1608)
R454	1-216-815-11	s METAL, CHIP 330 5% 1/16W (1608)
R455	1-218-700-11	s METAL, CHIP 2.2K 0.5% 1/16W (1608)
R456	1-218-692-11	s METAL, CHIP 1.0K 0.5% 1/16W (1608)
R458	1-218-692-11	s METAL, CHIP 1.0K 0.5% 1/16W (1608)
R462	1-216-819-11	s METAL, CHIP 680 5% 1/16W (1608)
R463	1-216-815-11	s METAL, CHIP 330 5% 1/16W (1608)
R464	1-216-821-11	s METAL, CHIP 1.0K 5% 1/16W (1608)
R465	1-216-805-11	s METAL, CHIP 47 5% 1/16W (1608)
R466	1-216-821-11	s METAL, CHIP 1.0K 5% 1/16W (1608)
R467	1-216-821-11	s METAL, CHIP 1.0K 5% 1/16W (1608)
R472	1-218-676-11	s METAL, CHIP 220 0.5% 1/16W (1608)
R473	1-218-676-11	s METAL, CHIP 220 0.5% 1/16W (1608)
R474	1-218-842-11	s METAL, CHIP 620 0.5% 1/16W (1608)
R475	1-216-805-11	s METAL, CHIP 47 5% 1/16W (1608)
R476	1-218-700-11	s METAL, CHIP 2.2K 0.5% 1/16W (1608)
R477	1-216-809-11	s METAL, CHIP 100 5% 1/16W (1608)
R478	1-218-676-11	s METAL, CHIP 220 0.5% 1/16W (1608)
R479	1-218-675-11	s METAL, CHIP 200 0.5% 1/16W (1608)
R480	1-216-817-11	s METAL, CHIP 470 5% 1/16W (1608)
R481	1-218-672-11	s METAL, CHIP 150 0.5% 1/16W (1608)
R482	1-216-817-11	s METAL, CHIP 470 5% 1/16W (1608)
R483	1-216-805-11	s METAL, CHIP 47 5% 1/16W (1608)
R484	1-218-707-11	s METAL, CHIP 4.3K 0.5% 1/16W (1608)
R500	1-216-821-11	s METAL, CHIP 1.0K 5% 1/16W (1608)
R503	1-216-833-11	s METAL, CHIP 10K 5% 1/16W (1608)
R504	1-216-841-11	s METAL, CHIP 47K 5% 1/16W (1608)
R505	1-216-789-11	s METAL, CHIP 2.2 5% 1/16W (1608)
R506	1-216-825-11	s METAL, CHIP 2.2K 5% 1/16W (1608)
R507	1-216-805-11	s METAL, CHIP 47 5% 1/16W (1608)
R508	1-216-826-11	s METAL, CHIP 2.7K 5% 1/16W (1608)
R509	1-218-866-11	s METAL, CHIP 6.2K 0.5% 1/16W (1608)
R510	1-216-803-11	s METAL, CHIP 33 5% 1/16W (1608)
R511	1-218-881-11	s METAL, CHIP 27K 0.5% 1/16W (1608)
R512	1-216-805-11	s METAL, CHIP 47 5% 1/16W (1608)
R513	1-216-809-11	s METAL, CHIP 100 5% 1/16W (1608)
R514	1-216-819-11	s METAL, CHIP 680 5% 1/16W (1608)
R515	1-216-811-11	s METAL, CHIP 150 5% 1/16W (1608)
R516	1-216-789-11	s METAL, CHIP 2.2 5% 1/16W (1608)
R517	1-218-668-11	s METAL, CHIP 100 0.5% 1/16W (1608)
R518	1-218-680-11	s METAL, CHIP 330 0.5% 1/16W (1608)
R519	1-216-821-11	s METAL, CHIP 1.0K 5% 1/16W (1608)
R520	1-216-809-11	s METAL, CHIP 100 5% 1/16W (1608)
R521	1-216-809-11	s METAL, CHIP 100 5% 1/16W (1608)
R523	1-216-805-11	s METAL, CHIP 47 5% 1/16W (1608)
R524	1-216-819-11	s METAL, CHIP 680 5% 1/16W (1608)
R526	1-218-676-11	s METAL, CHIP 220 0.5% 1/16W (1608)
R527	1-218-688-11	s METAL, CHIP 680 0.5% 1/16W (1608)

(EQ-45B BOARD for DVW-510P, LOT No. 302 through 001)

(EQ-45B BOARD for DVW-510P, LOT No. 302 through 001)

Ref. No. or Q'ty	Part No.	SP	Description	Ref. No. or Q'ty	Part No.	SP	Description
R528	1-218-676-11	s	METAL, CHIP 220 0.5% 1/16W (1608)	R817	1-218-874-11	s	METAL, CHIP 13K 0.5% 1/16W (1608)
R529	1-216-809-11	s	METAL, CHIP 100 5% 1/16W (1608)	R818	1-216-805-11	s	METAL, CHIP 47 5% 1/16W (1608)
R530	1-218-676-11	s	METAL, CHIP 220 0.5% 1/16W (1608)	R819	1-211-977-11	s	METAL, CHIP 22 0.5% 1/16W (1608)
R531	1-218-676-11	s	METAL, CHIP 220 0.5% 1/16W (1608)	R820	1-218-867-11	s	METAL, CHIP 6.8K 0.5% 1/16W (1608)
R532	1-218-680-11	s	METAL, CHIP 330 0.5% 1/16W (1608)	R821	1-216-819-11	s	METAL, CHIP 680 5% 1/16W (1608)
R533	1-216-825-11	s	METAL, CHIP 2.2K 5% 1/16W (1608)	R822	1-216-825-11	s	METAL, CHIP 2.2K 5% 1/16W (1608)
R534	1-216-815-11	s	METAL, CHIP 330 5% 1/16W (1608)	R823	1-216-819-11	s	METAL, CHIP 680 5% 1/16W (1608)
R535	1-218-680-11	s	METAL, CHIP 330 0.5% 1/16W (1608)	R824	1-218-874-11	s	METAL, CHIP 13K 0.5% 1/16W (1608)
R536	1-218-881-11	s	METAL, CHIP 27K 0.5% 1/16W (1608)	R825	1-218-874-11	s	METAL, CHIP 13K 0.5% 1/16W (1608)
R537	1-218-700-11	s	METAL, CHIP 2.2K 0.5% 1/16W (1608)	R826	1-218-733-11	s	METAL, CHIP 51K 0.5% 1/16W (1608)
R538	1-216-809-11	s	METAL, CHIP 100 5% 1/16W (1608)	R827	1-218-867-11	s	METAL, CHIP 6.8K 0.5% 1/16W (1608)
R539	1-216-805-11	s	METAL, CHIP 47 5% 1/16W (1608)	R828	1-218-702-11	s	METAL, CHIP 2.7K 0.5% 1/16W (1608)
R540	1-216-825-11	s	METAL, CHIP 2.2K 5% 1/16W (1608)	R829	1-218-844-11	s	METAL, CHIP 750 0.5% 1/16W (1608)
R541	1-218-842-11	s	METAL, CHIP 620 0.5% 1/16W (1608)	R830	1-216-825-11	s	METAL, CHIP 2.2K 5% 1/16W (1608)
R542	1-218-676-11	s	METAL, CHIP 220 0.5% 1/16W (1608)	R831	1-218-716-11	s	METAL, CHIP 10K 0.5% 1/16W (1608)
R543	1-218-680-11	s	METAL, CHIP 330 0.5% 1/16W (1608)	R832	1-218-679-91	s	METAL, CHIP 300 0.5% 1/16W (1608)
R544	1-216-805-11	s	METAL, CHIP 47 5% 1/16W (1608)	R833	1-218-694-11	s	METAL, CHIP 1.2K 0.5% 1/16W (1608)
R545	1-216-817-11	s	METAL, CHIP 470 5% 1/16W (1608)	R834	1-218-663-11	s	METAL, CHIP 62 0.5% 1/16W (1608)
R546	1-218-664-11	s	METAL, CHIP 68 0.5% 1/16W (1608)	R835-837	1-218-716-11	s	METAL, CHIP 10K 0.5% 1/16W (1608)
R547	1-218-740-11	s	METAL, CHIP 100K 0.5% 1/16W (1608)	R838	1-216-817-11	s	METAL, CHIP 470 5% 1/16W (1608)
R548	1-216-841-11	s	METAL, CHIP 47K 5% 1/16W (1608)	R839	1-218-692-11	s	METAL, CHIP 1.0K 0.5% 1/16W (1608)
R549	1-216-841-11	s	METAL, CHIP 47K 5% 1/16W (1608)	R840	1-218-732-11	s	METAL, CHIP 47K 0.5% 1/16W (1608)
R551	1-216-809-11	s	METAL, CHIP 100 5% 1/16W (1608)	R841	1-218-717-11	s	METAL, CHIP 11K 0.5% 1/16W (1608)
R552	1-216-821-11	s	METAL, CHIP 1.0K 5% 1/16W (1608)	R842	1-218-867-11	s	METAL, CHIP 6.8K 0.5% 1/16W (1608)
R553	1-216-821-11	s	METAL, CHIP 1.0K 5% 1/16W (1608)	R843	1-218-874-11	s	METAL, CHIP 13K 0.5% 1/16W (1608)
R554	1-216-815-11	s	METAL, CHIP 330 5% 1/16W (1608)	R844	1-218-702-11	s	METAL, CHIP 2.7K 0.5% 1/16W (1608)
R555	1-218-700-11	s	METAL, CHIP 2.2K 0.5% 1/16W (1608)	R845	1-218-844-11	s	METAL, CHIP 750 0.5% 1/16W (1608)
R556	1-218-692-11	s	METAL, CHIP 1.0K 0.5% 1/16W (1608)	R846	1-218-752-11	s	METAL, CHIP 330K 0.5% 1/16W (1608)
R558	1-218-692-11	s	METAL, CHIP 1.0K 0.5% 1/16W (1608)	R848	1-218-702-11	s	METAL, CHIP 2.7K 0.5% 1/16W (1608)
R562	1-216-819-11	s	METAL, CHIP 680 5% 1/16W (1608)	R849	1-218-752-11	s	METAL, CHIP 330K 0.5% 1/16W (1608)
R563	1-216-815-11	s	METAL, CHIP 330 5% 1/16W (1608)	R850	1-216-837-11	s	METAL, CHIP 22K 5% 1/16W (1608)
R564	1-216-821-11	s	METAL, CHIP 1.0K 5% 1/16W (1608)	R851	1-216-837-11	s	METAL, CHIP 22K 5% 1/16W (1608)
R565	1-216-805-11	s	METAL, CHIP 47 5% 1/16W (1608)	R854	1-216-805-11	s	METAL, CHIP 47 5% 1/16W (1608)
R566	1-216-821-11	s	METAL, CHIP 1.0K 5% 1/16W (1608)	R855	1-218-874-11	s	METAL, CHIP 13K 0.5% 1/16W (1608)
R567	1-216-821-11	s	METAL, CHIP 1.0K 5% 1/16W (1608)	R856	1-218-714-11	s	METAL, CHIP 8.2K 0.5% 1/16W (1608)
R572	1-218-676-11	s	METAL, CHIP 220 0.5% 1/16W (1608)	R857	1-211-977-11	s	METAL, CHIP 22 0.5% 1/16W (1608)
R573	1-218-676-11	s	METAL, CHIP 220 0.5% 1/16W (1608)	R858	1-218-714-11	s	METAL, CHIP 8.2K 0.5% 1/16W (1608)
R574	1-218-842-11	s	METAL, CHIP 620 0.5% 1/16W (1608)	R859	1-216-819-11	s	METAL, CHIP 680 5% 1/16W (1608)
R575	1-216-805-11	s	METAL, CHIP 47 5% 1/16W (1608)	R860	1-216-825-11	s	METAL, CHIP 2.2K 5% 1/16W (1608)
R576	1-218-700-11	s	METAL, CHIP 2.2K 0.5% 1/16W (1608)	R861	1-216-819-11	s	METAL, CHIP 680 5% 1/16W (1608)
R577	1-216-809-11	s	METAL, CHIP 100 5% 1/16W (1608)	R862	1-216-805-11	s	METAL, CHIP 47 5% 1/16W (1608)
R578	1-218-676-11	s	METAL, CHIP 220 0.5% 1/16W (1608)	R863	1-216-837-11	s	METAL, CHIP 22K 5% 1/16W (1608)
R579	1-218-675-11	s	METAL, CHIP 200 0.5% 1/16W (1608)	R864	1-218-733-11	s	METAL, CHIP 51K 0.5% 1/16W (1608)
R580	1-216-817-11	s	METAL, CHIP 470 5% 1/16W (1608)	R865	1-216-837-11	s	METAL, CHIP 22K 5% 1/16W (1608)
R581	1-218-672-11	s	METAL, CHIP 150 0.5% 1/16W (1608)	R866	1-218-697-11	s	METAL, CHIP 1.6K 0.5% 1/16W (1608)
R582	1-216-817-11	s	METAL, CHIP 470 5% 1/16W (1608)	R867	1-218-716-11	s	METAL, CHIP 10K 0.5% 1/16W (1608)
R583	1-216-805-11	s	METAL, CHIP 47 5% 1/16W (1608)	R868	1-216-825-11	s	METAL, CHIP 2.2K 5% 1/16W (1608)
R584	1-218-707-11	s	METAL, CHIP 4.3K 0.5% 1/16W (1608)	R869	1-218-716-11	s	METAL, CHIP 10K 0.5% 1/16W (1608)
R801	1-218-692-11	s	METAL, CHIP 1.0K 0.5% 1/16W (1608)	R870	1-218-679-91	s	METAL, CHIP 300 0.5% 1/16W (1608)
R802	1-218-732-11	s	METAL, CHIP 47K 0.5% 1/16W (1608)	R871	1-218-694-11	s	METAL, CHIP 1.2K 0.5% 1/16W (1608)
R803	1-218-874-11	s	METAL, CHIP 13K 0.5% 1/16W (1608)	R872	1-218-663-11	s	METAL, CHIP 62 0.5% 1/16W (1608)
R804	1-218-867-11	s	METAL, CHIP 6.8K 0.5% 1/16W (1608)	R873-875	1-218-716-11	s	METAL, CHIP 10K 0.5% 1/16W (1608)
R805	1-218-720-11	s	METAL, CHIP 15K 0.5% 1/16W (1608)	R876	1-216-817-11	s	METAL, CHIP 470 5% 1/16W (1608)
R806-808	1-216-805-11	s	METAL, CHIP 47 5% 1/16W (1608)	R877	1-216-805-11	s	METAL, CHIP 47 5% 1/16W (1608)
R810	1-218-702-11	s	METAL, CHIP 2.7K 0.5% 1/16W (1608)	R878	1-216-805-11	s	METAL, CHIP 47 5% 1/16W (1608)
R811-816	1-216-805-11	s	METAL, CHIP 47 5% 1/16W (1608)	R879	1-218-716-11	s	METAL, CHIP 10K 0.5% 1/16W (1608)

(EQ-45B BOARD for DVW-510P, LOT No. 302 through 001)

Ref. No. or Q'ty	Part No.	SP Description
R880	1-216-837-11	s METAL, CHIP 22K 5% 1/16W (1608)
R881	1-218-296-11	s METAL, CHIP 75K 5% 1/16W (1608)
R882	1-218-716-11	s METAL, CHIP 10K 0.5% 1/16W (1608)
R883	1-218-716-11	s METAL, CHIP 10K 0.5% 1/16W (1608)
R884	1-216-837-11	s METAL, CHIP 22K 5% 1/16W (1608)
R885	1-216-817-11	s METAL, CHIP 470 5% 1/16W (1608)
R886	1-216-817-11	s METAL, CHIP 470 5% 1/16W (1608)
R887	1-216-837-11	s METAL, CHIP 22K 5% 1/16W (1608)
R889	1-218-677-11	s METAL, CHIP 240 0.5% 1/16W (1608)
R890	1-216-837-11	s METAL, CHIP 22K 5% 1/16W (1608)
R891	1-218-677-11	s METAL, CHIP 240 0.5% 1/16W (1608)
R895	1-218-732-11	s METAL, CHIP 47K 0.5% 1/16W (1608)
R896	1-218-732-11	s METAL, CHIP 47K 0.5% 1/16W (1608)
R897	1-218-864-11	s METAL, CHIP 5.1K 0.5% 1/16W (1608)
R898	1-218-864-11	s METAL, CHIP 5.1K 0.5% 1/16W (1608)
R899	1-218-695-11	s METAL, CHIP 1.3K 0.5% 1/16W (1608)
R8001	1-218-296-11	s METAL, CHIP 75K 5% 1/16W (1608)
R8002	1-216-841-11	s METAL, CHIP 47K 5% 1/16W (1608)
R8003	1-216-841-11	s METAL, CHIP 47K 5% 1/16W (1608)
RV401	1-237-031-11	s RES, ADJ, CERMET 200
RV421	1-237-037-11	s RES, ADJ, CERMET 20K
RV501	1-237-031-11	s RES, ADJ, CERMET 200
RV521	1-237-037-11	s RES, ADJ, CERMET 20K
RV801	1-237-036-11	s RES, ADJ, CERMET 10K
RV802	1-237-033-11	s RES, ADJ, CERMET 1K
RV803	1-237-036-11	s RES, ADJ, CERMET 10K
RV804	1-237-033-11	s RES, ADJ, CERMET 1K
RY401	1-515-936-21	s RELAY TF2SA-5V
RY501	1-515-936-21	s RELAY TF2SA-5V

EQ-45BA BOARD for DVW-A510P/510P, LOT No. 002 or higher

Ref. No. or Q'ty	Part No.	SP Description
*a:Lot No. 002		
*b:Lot No. 003-071		
*c:Lot No. 002-003		
*d:Lot No. 004-		
*e:Lot No. 002-071		
*f:Lot No. 072-		
*h:Lot No. 002-122		
*i:Lot No. 072-122		
*j:Lot No. 123-		
1pc	A-8275-359-B	o MOUNTED CIRCUIT BOARD, EQ-45BA
1pc	3-179-084-01	s LEVER(R),PRINTED C.BOARD
2pcs	4-352-844-01	s PIN, LEAD, COATING
1pc	3-179-085-01	s LEVER(L),PRINTED C.BOARD
C100	1-162-970-11	s CAPACITOR CERAMIC 0.01MF/25V B
C101	1-126-392-11	s CAPACITOR,CHIP ELECT100MF/6.3V
C102	1-162-970-11	s CAPACITOR CERAMIC 0.01MF/25V B
C103	1-162-970-11	s CAPACITOR CERAMIC 0.01MF/25V B
C104	1-162-970-11	s CAPACITOR CERAMIC 0.01MF/25V B
C105	1-162-970-11	s CAPACITOR CERAMIC 0.01MF/25V B
C106	1-164-156-11	s CAPACITOR,CERAMIC 0.1MF/25V F
C107	1-164-156-11	s CAPACITOR,CERAMIC 0.1MF/25V F
C108	1-162-970-11	s CAPACITOR CERAMIC 0.01MF/25V B
C109	1-162-970-11	s CAPACITOR CERAMIC 0.01MF/25V B
C110	1-162-970-11	s CAPACITOR CERAMIC 0.01MF/25V B
C111	1-162-970-11	s CAPACITOR CERAMIC 0.01MF/25V B
C112	1-162-970-11	s CAPACITOR CERAMIC 0.01MF/25V B
C113	1-162-970-11	s CAPACITOR CERAMIC 0.01MF/25V B
C114	1-162-970-11	s CAPACITOR CERAMIC 0.01MF/25V B
C115	1-162-970-11	s CAPACITOR CERAMIC 0.01MF/25V B
C116	*j 1-126-394-11	s CAPACITOR,ELECT 10MF/16V(CHIP)
	*h 1-126-399-11	s CAPACITOR,ELECT 10MF/35V(CHIP)
C117	*j 1-126-394-11	s CAPACITOR,ELECT 10MF/16V(CHIP)
	*h 1-126-399-11	s CAPACITOR,ELECT 10MF/35V(CHIP)
C118	*j 1-126-394-11	s CAPACITOR,ELECT 10MF/16V(CHIP)
	*h 1-126-399-11	s CAPACITOR,ELECT 10MF/35V(CHIP)
C119	1-126-396-11	s CAPACITOR,ELECT 47MF/16V(CHIP)
C120	1-126-392-11	s CAPACITOR,CHIP ELECT100MF/6.3V
C121	1-126-392-11	s CAPACITOR,CHIP ELECT100MF/6.3V
C122	1-162-970-11	s CAPACITOR CERAMIC 0.01MF/25V B
C123	1-162-970-11	s CAPACITOR CERAMIC 0.01MF/25V B
C124	1-162-970-11	s CAPACITOR CERAMIC 0.01MF/25V B
C125	1-162-970-11	s CAPACITOR CERAMIC 0.01MF/25V B
C126	1-162-970-11	s CAPACITOR CERAMIC 0.01MF/25V B
C127	1-162-970-11	s CAPACITOR CERAMIC 0.01MF/25V B
C128	1-164-156-11	s CAPACITOR,CERAMIC 0.1MF/25V F
C129	1-126-396-11	s CAPACITOR,ELECT 47MF/16V(CHIP)
C130	1-162-970-11	s CAPACITOR CERAMIC 0.01MF/25V B
C132	1-162-970-11	s CAPACITOR CERAMIC 0.01MF/25V B
C239	*j 1-164-156-11	s CAPACITOR,CERAMIC 0.1MF/25V F
C240	*j 1-162-970-11	s CAPACITOR CERAMIC 0.01MF/25V B
C268	*j 1-164-156-11	s CAPACITOR,CERAMIC 0.1MF/25V F
C270	*j 1-164-156-11	s CAPACITOR,CERAMIC 0.1MF/25V F
C401	1-164-156-11	s CAPACITOR,CERAMIC 0.1MF/25V F
C402	1-164-156-11	s CAPACITOR,CERAMIC 0.1MF/25V F
C403	1-164-156-11	s CAPACITOR,CERAMIC 0.1MF/25V F
C404	1-164-156-11	s CAPACITOR,CERAMIC 0.1MF/25V F
C405	1-162-970-11	s CAPACITOR CERAMIC 0.01MF/25V B
C406	1-164-156-11	s CAPACITOR,CERAMIC 0.1MF/25V F
C407	1-164-156-11	s CAPACITOR,CERAMIC 0.1MF/25V F



(EQ-45BA BOARD for DVW-A510P/510P, LOT No. 002 or higher)

(EQ-45BA BOARD for DVW-A510P/510P, LOT No. 002 or higher)

Ref. No. or Q'ty	Part No.	SP	Description
C408	1-164-156-11	s	CAPACITOR,CERAMIC 0.1MF/25V F
C409	1-164-156-11	s	CAPACITOR,CERAMIC 0.1MF/25V F
C410	1-164-156-11	s	CAPACITOR,CERAMIC 0.1MF/25V F
C411	1-164-156-11	s	CAPACITOR,CERAMIC 0.1MF/25V F
C412	1-164-156-11	s	CAPACITOR,CERAMIC 0.1MF/25V F
C413	1-162-919-11	s	CAPACITOR,CERAMIC 22PF/50V CH
C414	1-164-315-11	s	CAPACITOR,CERAMIC 470PF/50V CH
C415	1-162-970-11	s	CAPACITOR CERAMIC 0.01MF/25V B
C416	1-164-156-11	s	CAPACITOR,CERAMIC 0.1MF/25V F
C417	1-164-156-11	s	CAPACITOR,CERAMIC 0.1MF/25V F
C418	1-162-917-11	s	CAPACITOR,CERAMIC 15PF/50V CH
C419	1-162-919-11	s	CAPACITOR,CERAMIC 22PF/50V CH
C420	1-164-315-11	s	CAPACITOR,CERAMIC 470PF/50V CH
C421	1-115-416-11	s	CAPACITOR,CERAMIC 1000PF/25V
C422	1-164-217-11	s	CAPACITOR,CERAMIC 150PF/50V CH
C423	1-162-970-11	s	CAPACITOR CERAMIC 0.01MF/25V B
C424	1-162-970-11	s	CAPACITOR CERAMIC 0.01MF/25V B
C425	1-164-156-11	s	CAPACITOR,CERAMIC 0.1MF/25V F
C426	1-164-156-11	s	CAPACITOR,CERAMIC 0.1MF/25V F
C427	1-164-156-11	s	CAPACITOR,CERAMIC 0.1MF/25V F
C428	1-164-156-11	s	CAPACITOR,CERAMIC 0.1MF/25V F
C429	1-162-970-11	s	CAPACITOR CERAMIC 0.01MF/25V B
C430	1-164-156-11	s	CAPACITOR,CERAMIC 0.1MF/25V F
C431	1-162-970-11	s	CAPACITOR CERAMIC 0.01MF/25V B
C432	1-164-156-11	s	CAPACITOR,CERAMIC 0.1MF/25V F
C433	1-164-156-11	s	CAPACITOR,CERAMIC 0.1MF/25V F
C434	1-164-315-11	s	CAPACITOR,CERAMIC 470PF/50V CH
C435	1-162-927-11	s	CAPACITOR,CERAMIC 100PF/50V CH
C436	1-164-156-11	s	CAPACITOR,CERAMIC 0.1MF/25V F
C437	1-162-970-11	s	CAPACITOR CERAMIC 0.01MF/25V B
C438	1-162-970-11	s	CAPACITOR CERAMIC 0.01MF/25V B
C439	1-164-156-11	s	CAPACITOR,CERAMIC 0.1MF/25V F
C440	1-125-891-11	s	CAPACITOR CERAMIC 0.47MF/10V
C441	1-164-217-11	s	CAPACITOR,CERAMIC 150PF/50V CH
C442	1-107-826-11	s	CAPACITOR,CHIP CERAMIC 0.1MF
C443	1-162-915-11	s	CAPACITOR,CERAMIC 10PF/50V CH
C444	1-107-826-11	s	CAPACITOR,CHIP CERAMIC 0.1MF
C445	1-164-315-11	s	CAPACITOR,CERAMIC 470PF/50V CH
C446	1-164-156-11	s	CAPACITOR,CERAMIC 0.1MF/25V F
C447	1-164-156-11	s	CAPACITOR,CERAMIC 0.1MF/25V F
C448	1-107-826-11	s	CAPACITOR,CHIP CERAMIC 0.1MF
C451	1-164-156-11	s	CAPACITOR,CERAMIC 0.1MF/25V F
C452	*f 1-164-156-11	s	CAPACITOR,CERAMIC 0.1MF/25V F
C453	*f 1-164-156-11	s	CAPACITOR,CERAMIC 0.1MF/25V F
C501	1-164-156-11	s	CAPACITOR,CERAMIC 0.1MF/25V F
C502	1-164-156-11	s	CAPACITOR,CERAMIC 0.1MF/25V F
C503	1-164-156-11	s	CAPACITOR,CERAMIC 0.1MF/25V F
C504	1-162-970-11	s	CAPACITOR CERAMIC 0.01MF/25V B
C505	1-162-970-11	s	CAPACITOR CERAMIC 0.01MF/25V B
C506	1-164-156-11	s	CAPACITOR,CERAMIC 0.1MF/25V F
C507	1-164-156-11	s	CAPACITOR,CERAMIC 0.1MF/25V F
C508	1-164-156-11	s	CAPACITOR,CERAMIC 0.1MF/25V F
C509	1-164-156-11	s	CAPACITOR,CERAMIC 0.1MF/25V F
C510	1-164-156-11	s	CAPACITOR,CERAMIC 0.1MF/25V F
C511	1-164-156-11	s	CAPACITOR,CERAMIC 0.1MF/25V F
C512	1-164-156-11	s	CAPACITOR,CERAMIC 0.1MF/25V F
C513	1-164-156-11	s	CAPACITOR,CERAMIC 0.1MF/25V F
C514	1-162-919-11	s	CAPACITOR,CERAMIC 22PF/50V CH
C515	1-164-315-11	s	CAPACITOR,CERAMIC 470PF/50V CH

Ref. No. or Q'ty	Part No.	SP	Description
C516	1-162-970-11	s	CAPACITOR CERAMIC 0.01MF/25V B
C517	1-164-156-11	s	CAPACITOR,CERAMIC 0.1MF/25V F
C518	1-164-156-11	s	CAPACITOR,CERAMIC 0.1MF/25V F
C519	1-162-917-11	s	CAPACITOR,CERAMIC 15PF/50V CH
C520	1-162-919-11	s	CAPACITOR,CERAMIC 22PF/50V CH
C521	1-164-315-11	s	CAPACITOR,CERAMIC 470PF/50V CH
C522	1-115-416-11	s	CAPACITOR,CERAMIC 1000PF/25V
C523	1-164-217-11	s	CAPACITOR,CERAMIC 150PF/50V CH
C524	1-162-970-11	s	CAPACITOR CERAMIC 0.01MF/25V B
C525	1-162-970-11	s	CAPACITOR CERAMIC 0.01MF/25V B
C526	1-164-156-11	s	CAPACITOR,CERAMIC 0.1MF/25V F
C527	1-164-156-11	s	CAPACITOR,CERAMIC 0.1MF/25V F
C528	1-164-156-11	s	CAPACITOR,CERAMIC 0.1MF/25V F
C529	1-164-156-11	s	CAPACITOR,CERAMIC 0.1MF/25V F
C530	1-162-970-11	s	CAPACITOR CERAMIC 0.01MF/25V B
C531	1-164-156-11	s	CAPACITOR,CERAMIC 0.1MF/25V F
C532	1-162-970-11	s	CAPACITOR CERAMIC 0.01MF/25V B
C533	1-164-156-11	s	CAPACITOR,CERAMIC 0.1MF/25V F
C534	1-164-156-11	s	CAPACITOR,CERAMIC 0.1MF/25V F
C535	1-164-315-11	s	CAPACITOR,CERAMIC 470PF/50V CH
C536	1-162-927-11	s	CAPACITOR,CERAMIC 100PF/50V CH
C537	1-164-156-11	s	CAPACITOR,CERAMIC 0.1MF/25V F
C538	1-162-970-11	s	CAPACITOR CERAMIC 0.01MF/25V B
C539	1-162-970-11	s	CAPACITOR CERAMIC 0.01MF/25V B
C540	1-164-156-11	s	CAPACITOR,CERAMIC 0.1MF/25V F
C541	1-164-156-11	s	CAPACITOR,CERAMIC 0.1MF/25V F
C542	1-125-891-11	s	CAPACITOR CERAMIC 0.47MF/10V
C543	1-164-156-11	s	CAPACITOR,CERAMIC 0.1MF/25V F
C544	1-107-826-11	s	CAPACITOR,CHIP CERAMIC 0.1MF
C545	1-162-915-11	s	CAPACITOR,CERAMIC 10PF/50V CH
C546	1-107-826-11	s	CAPACITOR,CHIP CERAMIC 0.1MF
C547	1-164-217-11	s	CAPACITOR,CERAMIC 150PF/50V CH
C548	1-164-315-11	s	CAPACITOR,CERAMIC 470PF/50V CH
C549	1-107-826-11	s	CAPACITOR,CHIP CERAMIC 0.1MF
C551	1-164-156-11	s	CAPACITOR,CERAMIC 0.1MF/25V F
C552	*j 1-164-156-11	s	CAPACITOR,CERAMIC 0.1MF/25V F
C801	1-162-970-11	s	CAPACITOR CERAMIC 0.01MF/25V B
C802	1-162-970-11	s	CAPACITOR CERAMIC 0.01MF/25V B
C803	1-164-156-11	s	CAPACITOR,CERAMIC 0.1MF/25V F
C804	1-164-156-11	s	CAPACITOR,CERAMIC 0.1MF/25V F
C805	*j 1-164-156-11	s	CAPACITOR,CERAMIC 0.1MF/25V F
*h	1-107-826-11	s	CAPACITOR,CHIP CERAMIC 0.1MF
C806	*j 1-164-156-11	s	CAPACITOR,CERAMIC 0.1MF/25V F
*h	1-107-826-11	s	CAPACITOR,CHIP CERAMIC 0.1MF
C807	*j 1-164-156-11	s	CAPACITOR,CERAMIC 0.1MF/25V F
*h	1-107-826-11	s	CAPACITOR,CHIP CERAMIC 0.1MF
C808	*j 1-164-156-11	s	CAPACITOR,CERAMIC 0.1MF/25V F
*h	1-107-826-11	s	CAPACITOR,CHIP CERAMIC 0.1MF
C809	1-125-891-11	s	CAPACITOR CERAMIC 0.47MF/10V
C810	1-125-891-11	s	CAPACITOR CERAMIC 0.47MF/10V
C811	1-125-891-11	s	CAPACITOR CERAMIC 0.47MF/10V
C812	1-125-891-11	s	CAPACITOR CERAMIC 0.47MF/10V
C813	1-135-145-11	s	CAPACITOR TANTALUM 0.47MF/35V
C814	1-135-145-11	s	CAPACITOR TANTALUM 0.47MF/35V
C815	*j 1-164-156-11	s	CAPACITOR,CERAMIC 0.1MF/25V F
*h	1-107-826-11	s	CAPACITOR,CHIP CERAMIC 0.1MF
C816	*j 1-164-156-11	s	CAPACITOR,CERAMIC 0.1MF/25V F
*h	1-107-826-11	s	CAPACITOR,CHIP CERAMIC 0.1MF
C817	*j 1-164-156-11	s	CAPACITOR,CERAMIC 0.1MF/25V F
*h	1-107-826-11	s	CAPACITOR,CHIP CERAMIC 0.1MF

(EQ-45BA BOARD for DVW-A510P/510P, LOT No. 002 or higher)

(EQ-45BA BOARD for DVW-A510P/510P, LOT No. 002 or higher)

Ref. No. or Q'ty	Part No.	SP Description
C818	*j 1-164-156-11	s CAPACITOR,CERAMIC 0.1MF/25V F
	*h 1-107-826-11	s CAPACITOR,CHIP CERAMIC 0.1MF
C819	*j 1-164-156-11	s CAPACITOR,CERAMIC 0.1MF/25V F
	*h 1-107-826-11	s CAPACITOR,CHIP CERAMIC 0.1MF
C820	*j 1-164-156-11	s CAPACITOR,CERAMIC 0.1MF/25V F
	*h 1-107-826-11	s CAPACITOR,CHIP CERAMIC 0.1MF
C821	*j 1-164-156-11	s CAPACITOR,CERAMIC 0.1MF/25V F
	*h 1-107-826-11	s CAPACITOR,CHIP CERAMIC 0.1MF
C822	*j 1-164-156-11	s CAPACITOR,CERAMIC 0.1MF/25V F
	*h 1-107-826-11	s CAPACITOR,CHIP CERAMIC 0.1MF
C823	1-125-891-11	s CAPACITOR CERAMIC 0.47MF/10V
C824	1-125-891-11	s CAPACITOR CERAMIC 0.47MF/10V
C825	1-125-891-11	s CAPACITOR CERAMIC 0.47MF/10V
C826	1-125-891-11	s CAPACITOR CERAMIC 0.47MF/10V
C827	1-162-927-11	s CAPACITOR,CERAMIC 100PF/50V CH
C828	1-162-927-11	s CAPACITOR,CERAMIC 100PF/50V CH
C829	1-162-927-11	s CAPACITOR,CERAMIC 100PF/50V CH
C830	1-162-970-11	s CAPACITOR CERAMIC 0.01MF/25V B
C831	1-162-927-11	s CAPACITOR,CERAMIC 100PF/50V CH
C832	1-162-927-11	s CAPACITOR,CERAMIC 100PF/50V CH
C833	1-162-927-11	s CAPACITOR,CERAMIC 100PF/50V CH
C834	1-162-970-11	s CAPACITOR CERAMIC 0.01MF/25V B
C835	1-164-156-11	s CAPACITOR,CERAMIC 0.1MF/25V F
C836	1-164-156-11	s CAPACITOR,CERAMIC 0.1MF/25V F
C837	1-164-156-11	s CAPACITOR,CERAMIC 0.1MF/25V F
C838	1-164-156-11	s CAPACITOR,CERAMIC 0.1MF/25V F
C839	1-164-156-11	s CAPACITOR,CERAMIC 0.1MF/25V F
C840	1-164-156-11	s CAPACITOR,CERAMIC 0.1MF/25V F
C841	1-104-608-11	s CAPACITOR, ELECT 33MF/6.3V
C842	1-104-608-11	s CAPACITOR, ELECT 33MF/6.3V
C843	*a 1-162-919-11	s CAPACITOR,CERAMIC 22PF/50V CH
C844	*a 1-162-919-11	s CAPACITOR,CERAMIC 22PF/50V CH
C845	*h 1-162-970-11	s CAPACITOR CERAMIC 0.01MF/25V B
C846	1-162-970-11	s CAPACITOR CERAMIC 0.01MF/25V B
C847	1-126-392-11	s CAPACITOR,CHIP ELECT100MF/6.3V
C848	1-162-970-11	s CAPACITOR CERAMIC 0.01MF/25V B
C849	1-164-156-11	s CAPACITOR,CERAMIC 0.1MF/25V F
C850	1-164-156-11	s CAPACITOR,CERAMIC 0.1MF/25V F
C851	*h 1-164-156-11	s CAPACITOR,CERAMIC 0.1MF/25V F
C852	1-164-156-11	s CAPACITOR,CERAMIC 0.1MF/25V F
C853	*j 1-104-608-11	s CAPACITOR, ELECT 33MF/6.3V
	*h 1-164-156-11	s CAPACITOR,CERAMIC 0.1MF/25V F
C854	1-164-156-11	s CAPACITOR,CERAMIC 0.1MF/25V F
C855	1-164-156-11	s CAPACITOR,CERAMIC 0.1MF/25V F
C856	*f 1-164-156-11	s CAPACITOR,CERAMIC 0.1MF/25V F
C857	*f 1-164-156-11	s CAPACITOR,CERAMIC 0.1MF/25V F
C858	*j 1-126-394-11	s CAPACITOR,ELECT 10MF/16V(CHIP)
C859	*j 1-126-394-11	s CAPACITOR,ELECT 10MF/16V(CHIP)
C860	*j 1-126-394-11	s CAPACITOR,ELECT 10MF/16V(CHIP)
C861	*j 1-126-394-11	s CAPACITOR,ELECT 10MF/16V(CHIP)
C862	*j 1-104-610-11	s CAPACITOR, ELECT 47MF/4V(CHIP)
C863	*j 1-104-608-11	s CAPACITOR, ELECT 33MF/6.3V
C864	*j 1-104-610-11	s CAPACITOR, ELECT 47MF/4V(CHIP)
C865	*j 1-104-608-11	s CAPACITOR, ELECT 33MF/6.3V
C866	*j 1-104-610-11	s CAPACITOR, ELECT 47MF/4V(CHIP)
C867	*j 1-104-608-11	s CAPACITOR, ELECT 33MF/6.3V
C868	*j 1-104-610-11	s CAPACITOR, ELECT 47MF/4V(CHIP)
C869	*j 1-104-608-11	s CAPACITOR, ELECT 33MF/6.3V
C870	*j 1-164-156-11	s CAPACITOR,CERAMIC 0.1MF/25V F
C871	*j 1-104-608-11	s CAPACITOR, ELECT 33MF/6.3V

Ref. No. or Q'ty	Part No.	SP Description
CN106	1-750-795-21	s CONNECTOR, PRINT PC BOARD
CN601	1-506-471-11	o PIN,CONNECTOR (6P)
CN606	1-506-468-11	o PIN,CONNECTOR (3P)
CN607	1-506-468-11	o PIN,CONNECTOR (3P)
D1	*f 8-719-064-52	s DIODE CL-191YG-CD-T
D401	8-719-157-36	s DIODE RD6.8M-B
D501	*j 8-719-157-36	s DIODE RD6.8M-B
DL420	1-415-799-11	s DELAY LINE
DL520	1-415-799-11	s DELAY LINE
F100	1-533-272-11	s FUSE, CHIP 4A (6125)
FL100	1-239-898-22	s FILTER, EMI (SMD)
FL101	1-239-898-22	s FILTER, EMI (SMD)
FL102	1-239-898-22	s FILTER, EMI (SMD)
FL103	1-239-898-22	s FILTER, EMI (SMD)
FL105	1-239-898-22	s FILTER, EMI (SMD)
FL106	1-239-898-22	s FILTER, EMI (SMD)
FL107	1-239-898-22	s FILTER, EMI (SMD)
FL108	1-239-898-22	s FILTER, EMI (SMD)
FL110	1-239-898-22	s FILTER, EMI (SMD)
FL111	1-239-898-22	s FILTER, EMI (SMD)
FL112	1-239-898-22	s FILTER, EMI (SMD)
FL113	1-239-898-22	s FILTER, EMI (SMD)
FL115	1-239-898-22	s FILTER, EMI (SMD)
FL116	1-239-898-22	s FILTER, EMI (SMD)
FL401	1-239-718-21	s FILTER, LOW PASS
FL501	1-239-718-21	s FILTER, LOW PASS
IC100	8-759-523-78	s IC TC74VHC00FT(EL)
IC101	8-759-491-46	s IC TC74VHCT04AFT (EL)
IC102	*j 8-759-549-15	s IC SN74LV245APWR
	*h 8-759-475-48	s IC TC74LCX245FT(EL)
IC103	8-759-172-71	s IC CXD8816R
IC104	*j 8-759-549-15	s IC SN74LV245APWR
	*h 8-759-475-48	s IC TC74LCX245FT(EL)
IC105	8-759-392-77	s IC SN74LVC245APW (E20)
IC106	8-759-392-77	s IC SN74LVC245APW (E20)
IC107	8-759-392-77	s IC SN74LVC245APW (E20)
IC205	*j 8-759-635-27	s IC M62352GP
IC211	*j 8-759-234-08	s IC TA78L05F
IC341	8-759-112-53	s IC UPC1663G
IC351	8-759-112-53	s IC UPC1663G
IC400	8-759-635-27	s IC M62352GP
IC401	8-752-075-38	s IC CXA3053R
IC402	8-759-669-73	s IC TL082CPWR
IC403	*j 8-759-441-31	s IC MC14053BDTR2
	*h 8-759-530-05	s IC TC4053BFT(EL, N)
IC411	8-759-234-08	s IC TA78L05F
IC412	8-759-446-74	s IC TA79L05F(TE12L)
IC413	*j 8-759-669-74	s IC TL084CPWR-12
	*i 8-759-287-54	s IC TL084CPWR
IC501	8-752-075-38	s IC CXA3053R
IC511	8-759-234-08	s IC TA78L05F
IC512	8-759-446-74	s IC TA79L05F(TE12L)
IC513	8-759-669-73	s IC TL082CPWR
IC514	*j 8-759-441-31	s IC MC14053BDTR2
	*h 8-759-530-05	s IC TC4053BFT(EL, N)
IC801	8-752-066-44	s IC CXA1805Q
IC802	8-752-075-40	s IC CXA3051R

(EQ-45BA BOARD for DVW-A510P/510P, LOT No. 002 or higher)

(EQ-45BA BOARD for DVW-A510P/510P, LOT No. 002 or higher)

Ref. No. or Q'ty	Part No.	SP	Description
IC803	8-752-066-44	s	IC CXA1805Q
IC804	8-752-075-40	s	IC CXA3051R
IC805	8-759-173-13	s	IC CXD8815Q
IC807	8-759-234-08	s	IC TA78L05F
IC808	8-759-446-74	s	IC TA79L05F(TE12L)
IC809	8-759-234-08	s	IC TA78L05F
IC810	*j 8-759-446-74	s	IC TA79L05F(TE12L)
	*h 8-759-635-27	s	IC M62352GP
IC811	8-759-669-73	s	IC TL082CPWR
IC812	8-759-669-73	s	IC TL082CPWR
IC813	*f 8-759-548-97	s	IC SN74LV04APWR
IC814	*f 8-759-548-97	s	IC SN74LV04APWR
L100	1-410-377-31	s	INDUCTOR,CHIP 4.7UH (3225)
L101	1-410-803-31	s	INDUCTOR,CHIP 0.047UH
L102	1-410-803-31	s	INDUCTOR,CHIP 0.047UH
L103	1-410-803-31	s	INDUCTOR,CHIP 0.047UH
L801	*j 1-410-377-31	s	INDUCTOR,CHIP 4.7UH (3225)
	*h 1-412-947-11	s	INDUCTOR 4.7UH (2520)
L802	*j 1-410-377-31	s	INDUCTOR,CHIP 4.7UH (3225)
	*h 1-412-947-11	s	INDUCTOR 4.7UH (2520)
L803	1-410-377-31	s	INDUCTOR,CHIP 4.7UH (3225)
L804	*j 1-410-377-31	s	INDUCTOR,CHIP 4.7UH (3225)
L805	*j 1-410-377-31	s	INDUCTOR,CHIP 4.7UH (3225)
L806	*j 1-410-377-31	s	INDUCTOR,CHIP 4.7UH (3225)
L807	*j 1-410-377-31	s	INDUCTOR,CHIP 4.7UH (3225)
L808	*j 1-410-377-31	s	INDUCTOR,CHIP 4.7UH (3225)
L809	*j 1-410-377-31	s	INDUCTOR,CHIP 4.7UH (3225)
L810	*j 1-410-377-31	s	INDUCTOR,CHIP 4.7UH (3225)
L811	*j 1-410-377-31	s	INDUCTOR,CHIP 4.7UH (3225)
L812	*j 1-410-377-31	s	INDUCTOR,CHIP 4.7UH (3225)
L813	*j 1-410-377-31	s	INDUCTOR,CHIP 4.7UH (3225)
L814	*j 1-410-377-31	s	INDUCTOR,CHIP 4.7UH (3225)
L815	*j 1-410-377-31	s	INDUCTOR,CHIP 4.7UH (3225)
Q100	8-729-143-14	s	TRANSISTOR 2SC4176-B35
Q101	8-729-143-14	s	TRANSISTOR 2SC4176-B35
Q102	8-729-028-91	s	TRANSISTOR DTA144EUA-T106
Q103	8-729-028-91	s	TRANSISTOR DTA144EUA-T106
Q401	8-729-029-14	s	TRANSISTOR DTC144EUA-T106
Q402	8-729-143-14	s	TRANSISTOR 2SC4176-B35
Q403	8-729-143-14	s	TRANSISTOR 2SC4176-B35
Q404	8-729-143-14	s	TRANSISTOR 2SC4176-B35
Q405	8-729-143-14	s	TRANSISTOR 2SC4176-B35
Q406	8-729-143-14	s	TRANSISTOR 2SC4176-B35
Q408	8-729-143-14	s	TRANSISTOR 2SC4176-B35
Q409	8-729-143-14	s	TRANSISTOR 2SC4176-B35
Q410	8-729-029-14	s	TRANSISTOR DTC144EUA-T106
Q501	8-729-029-14	s	TRANSISTOR DTC144EUA-T106
Q502	8-729-143-14	s	TRANSISTOR 2SC4176-B35
Q503	8-729-143-14	s	TRANSISTOR 2SC4176-B35
Q504	8-729-143-14	s	TRANSISTOR 2SC4176-B35
Q505	8-729-143-14	s	TRANSISTOR 2SC4176-B35
Q506	8-729-029-14	s	TRANSISTOR DTC144EUA-T106
Q507	8-729-143-14	s	TRANSISTOR 2SC4176-B35
Q508	8-729-143-14	s	TRANSISTOR 2SC4176-B35
Q509	*j 8-729-143-14	s	TRANSISTOR 2SC4176-B35
Q801	8-729-140-63	s	TRANSISTOR 2SA1611-M5M6
Q802	8-729-209-07	s	TRANSISTOR 2SC4213-B
Q803	8-729-209-07	s	TRANSISTOR 2SC4213-B

Ref. No. or Q'ty	Part No.	SP	Description
Q804	8-729-209-07	s	TRANSISTOR 2SC4213-B
Q805	8-729-209-07	s	TRANSISTOR 2SC4213-B
Q806	8-729-143-14	s	TRANSISTOR 2SC4176-B35
Q807	8-729-143-14	s	TRANSISTOR 2SC4176-B35
Q808	8-729-029-14	s	TRANSISTOR DTC144EUA-T106
Q809	8-729-029-14	s	TRANSISTOR DTC144EUA-T106
Q810	8-729-013-37	s	TRANSISTOR 2SC4213-AB-TE85L
Q811	8-729-013-37	s	TRANSISTOR 2SC4213-AB-TE85L
Q812	8-729-029-14	s	TRANSISTOR DTC144EUA-T106
Q814	8-729-028-91	s	TRANSISTOR DTA144EUA-T106
R100	1-218-732-11	s	RESISTOR,CHIP 47K 1/16W(1608)
R101	1-218-716-11	s	RESISTOR,CHIP 10K 1/16W(1608)
R102	1-218-716-11	s	RESISTOR,CHIP 10K 1/16W(1608)
R103	1-218-676-11	s	RESISTOR,CHIP 220 1/16W(1608)
R104	1-218-676-11	s	RESISTOR,CHIP 220 1/16W(1608)
R105	*h 1-218-716-11	s	RESISTOR,CHIP 10K 1/16W(1608)
R106	1-218-716-11	s	RESISTOR,CHIP 10K 1/16W(1608)
R107	1-218-716-11	s	RESISTOR,CHIP 10K 1/16W(1608)
R108	1-218-676-11	s	RESISTOR,CHIP 220 1/16W(1608)
R109	*h 1-218-716-11	s	RESISTOR,CHIP 10K 1/16W(1608)
R110	1-218-716-11	s	RESISTOR,CHIP 10K 1/16W(1608)
R111	1-218-660-91	s	RESISTOR,CHIP 47 1/16W (1608)
R112	1-218-660-91	s	RESISTOR,CHIP 47 1/16W (1608)
R113	1-218-676-11	s	RESISTOR,CHIP 220 1/16W(1608)
R114	*h 1-218-716-11	s	RESISTOR,CHIP 10K 1/16W(1608)
R115	1-218-676-11	s	RESISTOR,CHIP 220 1/16W(1608)
R116	*h 1-218-716-11	s	RESISTOR,CHIP 10K 1/16W(1608)
R117	1-218-676-11	s	RESISTOR,CHIP 220 1/16W(1608)
R118	1-218-676-11	s	RESISTOR,CHIP 220 1/16W(1608)
R119	1-218-676-11	s	RESISTOR,CHIP 220 1/16W(1608)
R120	1-218-660-91	s	RESISTOR,CHIP 47 1/16W (1608)
R121	*h 1-218-660-91	s	RESISTOR,CHIP 47 1/16W (1608)
R122	*h 1-218-660-91	s	RESISTOR,CHIP 47 1/16W (1608)
R123	*h 1-218-660-91	s	RESISTOR,CHIP 47 1/16W (1608)
R124	1-218-692-11	s	RESISTOR,CHIP 1.0K 1/16W(1608)
R125	1-218-692-11	s	RESISTOR,CHIP 1.0K 1/16W(1608)
R126	*h 1-218-692-11	s	RESISTOR,CHIP 1.0K 1/16W(1608)
R127	*h 1-218-692-11	s	RESISTOR,CHIP 1.0K 1/16W(1608)
R128	*h 1-218-692-11	s	RESISTOR,CHIP 1.0K 1/16W(1608)
R129	*h 1-218-692-11	s	RESISTOR,CHIP 1.0K 1/16W(1608)
R130	1-218-660-91	s	RESISTOR,CHIP 47 1/16W (1608)
R131	1-218-692-11	s	RESISTOR,CHIP 1.0K 1/16W(1608)
R132	1-218-660-91	s	RESISTOR,CHIP 47 1/16W (1608)
R133	1-218-660-91	s	RESISTOR,CHIP 47 1/16W (1608)
R134	1-218-660-91	s	RESISTOR,CHIP 47 1/16W (1608)
R135	1-218-660-91	s	RESISTOR,CHIP 47 1/16W (1608)
R136	1-218-660-91	s	RESISTOR,CHIP 47 1/16W (1608)
R137	1-218-660-91	s	RESISTOR,CHIP 47 1/16W (1608)
R138	1-218-676-11	s	RESISTOR,CHIP 220 1/16W(1608)
R139	1-218-660-91	s	RESISTOR,CHIP 47 1/16W (1608)
R140	1-218-660-91	s	RESISTOR,CHIP 47 1/16W (1608)
R141	*h 1-218-660-91	s	RESISTOR,CHIP 47 1/16W (1608)
R142	1-218-706-11	s	RESISTOR,CHIP 3.9K 1/16W(1608)
R143	1-218-706-11	s	RESISTOR,CHIP 3.9K 1/16W(1608)
R144	1-218-702-11	s	RESISTOR CHIP 2.7K 1/16W(1608)
R145	1-218-710-11	s	RESISTOR,CHIP 5.6K 1/16W(1608)
R146	1-218-702-11	s	RESISTOR CHIP 2.7K 1/16W(1608)
R147	1-218-710-11	s	RESISTOR,CHIP 5.6K 1/16W(1608)
R148	1-218-680-11	s	RESISTOR,CHIP 330 1/16W(1608)

(EQ-45BA BOARD for DVW-A510P/510P, LOT No. 002 or higher)

(EQ-45BA BOARD for DVW-A510P/510P, LOT No. 002 or higher)

Ref. No. or Q'ty	Part No.	SP Description
R149	1-218-680-11	s RESISTOR,CHIP 330 1/16W(1608)
R150	1-218-696-11	s RESISTOR,CHIP 1.5K 1/16W(1608)
R151	1-218-696-11	s RESISTOR,CHIP 1.5K 1/16W(1608)
R152	1-218-676-11	s RESISTOR,CHIP 220 1/16W(1608)
R153	1-218-676-11	s RESISTOR,CHIP 220 1/16W(1608)
R154	1-218-660-91	s RESISTOR,CHIP 47 1/16W (1608)
R155	1-218-660-91	s RESISTOR,CHIP 47 1/16W (1608)
R156	1-218-660-91	s RESISTOR,CHIP 47 1/16W (1608)
R157	1-218-660-91	s RESISTOR,CHIP 47 1/16W (1608)
R165	*f 1-216-857-11	s RESISTOR,CHIP 1M 1/16W(1608)
R166	*f 1-218-700-11	s RESISTOR,CHIP 2.2K 1/16W(1608)
R254	*h 1-218-716-11	s RESISTOR,CHIP 10K 1/16W(1608)
R255	*h 1-218-716-11	s RESISTOR,CHIP 10K 1/16W(1608)
R256	*h 1-218-716-11	s RESISTOR,CHIP 10K 1/16W(1608)
R257	*h 1-218-660-91	s RESISTOR,CHIP 47 1/16W (1608)
R258	*h 1-218-660-91	s RESISTOR,CHIP 47 1/16W (1608)
R259	*h 1-218-660-91	s RESISTOR,CHIP 47 1/16W (1608)
R401	1-218-644-11	s RESISTOR,CHIP 10 1/16W
R402	1-218-644-11	s RESISTOR,CHIP 10 1/16W
R403	1-218-692-11	s RESISTOR,CHIP 1.0K 1/16W(1608)
R404	*d 1-218-650-11	s RESISTOR,CHIP 18 1/16W (1608)
	*c 1-218-644-11	s RESISTOR,CHIP 10 1/16W
R405	1-218-668-11	s RESISTOR,CHIP 100 1/16W (1608)
R406	1-218-668-11	s RESISTOR,CHIP 100 1/16W (1608)
R407	1-218-689-11	s RESISTOR CHIP 750 1/16W (1608)
R408	1-218-684-11	s RESISTOR,CHIP 470 1/16W (1608)
R410	1-218-660-91	s RESISTOR,CHIP 47 1/16W (1608)
R411	1-218-664-11	s RESISTOR,CHIP 68 1/16W (1608)
R412	1-218-735-11	s RESISTOR CHIP 62K 1/16W(1608)
R413	1-218-702-11	s RESISTOR,CHIP 2.7K 1/16W(1608)
R414	1-218-668-11	s RESISTOR,CHIP 100 1/16W (1608)
R415	1-218-690-11	s RESISTOR,CHIP 820 1/16W (1608)
R416	1-218-689-11	s RESISTOR CHIP 750 1/16W (1608)
R417	1-218-668-11	s RESISTOR,CHIP 100 1/16W (1608)
R418	1-218-668-11	s RESISTOR,CHIP 100 1/16W (1608)
R419	1-218-692-11	s RESISTOR,CHIP 1.0K 1/16W(1608)
R420	1-218-692-11	s RESISTOR,CHIP 1.0K 1/16W(1608)
R421	1-218-689-11	s RESISTOR CHIP 750 1/16W (1608)
R422	1-218-692-11	s RESISTOR,CHIP 1.0K 1/16W(1608)
R423	1-218-668-11	s RESISTOR,CHIP 100 1/16W (1608)
R424	1-218-676-11	s RESISTOR,CHIP 220 1/16W(1608)
R425	1-218-694-11	s RESISTOR,CHIP 1.2K1/16W(1608)
R426	1-218-698-11	s RESISTOR,CHIP 1.8K 1/16W(1608)
R427	1-218-696-11	s RESISTOR,CHIP 1.5K 1/16W(1608)
R428	1-218-692-11	s RESISTOR,CHIP 1.0K 1/16W(1608)
R430	1-218-715-11	s RESISTOR,METAL 9.1K 1/16W
R431	1-218-676-11	s RESISTOR,CHIP 220 1/16W(1608)
R432	1-218-692-11	s RESISTOR,CHIP 1.0K 1/16W(1608)
R433	1-218-692-11	s RESISTOR,CHIP 1.0K 1/16W(1608)
R434	1-218-696-11	s RESISTOR,CHIP 1.5K 1/16W(1608)
R435	1-218-694-11	s RESISTOR,CHIP 1.2K1/16W(1608)
R436	1-218-692-11	s RESISTOR,CHIP 1.0K 1/16W(1608)
R437	1-218-716-11	s RESISTOR,CHIP 10K 1/16W(1608)
R438	1-218-661-11	s RESISTOR,CHIP 51 1/16W (1608)
R439	1-218-700-11	s RESISTOR,CHIP 2.2K 1/16W(1608)
R440	1-216-855-11	s RESISTOR, CHIP 680K 1/16W 1608
R441	1-218-716-11	s RESISTOR,CHIP 10K 1/16W(1608)
R442	1-218-692-11	s RESISTOR,CHIP 1.0K 1/16W(1608)
R443	1-218-668-11	s RESISTOR,CHIP 100 1/16W (1608)

Ref. No. or Q'ty	Part No.	SP Description
R444	1-218-676-11	s RESISTOR,CHIP 220 1/16W(1608)
R445	1-218-676-11	s RESISTOR,CHIP 220 1/16W(1608)
R446	1-218-684-11	s RESISTOR,CHIP 470 1/16W (1608)
R447	1-218-663-11	s RESISTOR,CHIP 62 1/16W (1608)
R448	1-218-730-11	s RESISTOR METAL FILM CHIP 39K
R450	1-218-684-11	s RESISTOR,CHIP 470 1/16W (1608)
R451	1-218-700-11	s RESISTOR,CHIP 2.2K 1/16W(1608)
R452	1-218-660-91	s RESISTOR,CHIP 47 1/16W (1608)
R453	1-218-700-11	s RESISTOR,CHIP 2.2K 1/16W(1608)
R454	1-218-660-91	s RESISTOR,CHIP 47 1/16W (1608)
R455	1-218-656-11	s RESISTOR,CHIP 33 1/16W (1608)
R456	1-218-660-91	s RESISTOR,CHIP 47 1/16W (1608)
R457	1-218-708-11	s RESISTOR,CHIP 4.7K 1/16W(1608)
R458	1-218-660-91	s RESISTOR,CHIP 47 1/16W (1608)
R459	1-218-708-11	s RESISTOR,CHIP 4.7K 1/16W(1608)
R460	1-218-660-91	s RESISTOR,CHIP 47 1/16W (1608)
R461	*f 1-216-864-11	s RESISTOR,CHIP 0 1/16W (1608)
R462	*f 1-216-864-11	s RESISTOR,CHIP 0 1/16W (1608)
R463	*f 1-218-692-11	s RESISTOR,CHIP 1.0K 1/16W(1608)
R464	*f 1-218-692-11	s RESISTOR,CHIP 1.0K 1/16W(1608)
R501	1-218-716-11	s RESISTOR,CHIP 10K 1/16W(1608)
R502	1-218-660-91	s RESISTOR,CHIP 47 1/16W (1608)
R503	1-218-644-11	s RESISTOR,CHIP 10 1/16W
R504	1-218-644-11	s RESISTOR,CHIP 10 1/16W
R505	1-218-692-11	s RESISTOR,CHIP 1.0K 1/16W(1608)
R506	*d 1-218-650-11	s RESISTOR,CHIP 18 1/16W (1608)
	*c 1-218-644-11	s RESISTOR,CHIP 10 1/16W
R507	1-218-668-11	s RESISTOR,CHIP 100 1/16W (1608)
R508	1-218-689-11	s RESISTOR CHIP 750 1/16W (1608)
R509	1-218-684-11	s RESISTOR,CHIP 470 1/16W (1608)
R511	1-218-660-91	s RESISTOR,CHIP 47 1/16W (1608)
R512	1-218-664-11	s RESISTOR,CHIP 68 1/16W (1608)
R513	1-218-735-11	s RESISTOR CHIP 62K 1/16W(1608)
R514	1-218-702-11	s RESISTOR CHIP 2.7K 1/16W(1608)
R515	1-218-668-11	s RESISTOR,CHIP 100 1/16W (1608)
R516	1-218-690-11	s RESISTOR,CHIP 820 1/16W (1608)
R517	1-218-689-11	s RESISTOR CHIP 750 1/16W (1608)
R518	1-218-668-11	s RESISTOR,CHIP 100 1/16W (1608)
R519	1-218-668-11	s RESISTOR,CHIP 100 1/16W (1608)
R520	1-218-692-11	s RESISTOR,CHIP 1.0K 1/16W(1608)
R521	1-218-692-11	s RESISTOR,CHIP 1.0K 1/16W(1608)
R522	1-218-689-11	s RESISTOR CHIP 750 1/16W (1608)
R523	1-218-692-11	s RESISTOR,CHIP 1.0K 1/16W(1608)
R524	1-218-668-11	s RESISTOR,CHIP 100 1/16W (1608)
R525	1-218-676-11	s RESISTOR,CHIP 220 1/16W(1608)
R526	1-218-694-11	s RESISTOR,CHIP 1.2K1/16W(1608)
R527	1-218-698-11	s RESISTOR,CHIP 1.8K 1/16W(1608)
R528	1-218-696-11	s RESISTOR,CHIP 1.5K 1/16W(1608)
R529	1-218-692-11	s RESISTOR,CHIP 1.0K 1/16W(1608)
R530	1-218-715-11	s RESISTOR,METAL 9.1K 1/16W
R531	1-218-692-11	s RESISTOR,CHIP 1.0K 1/16W(1608)
R532	1-218-676-11	s RESISTOR,CHIP 220 1/16W(1608)
R533	1-218-692-11	s RESISTOR,CHIP 1.0K 1/16W(1608)
R534	1-218-696-11	s RESISTOR,CHIP 1.5K 1/16W(1608)
R535	1-218-694-11	s RESISTOR,CHIP 1.2K1/16W(1608)
R536	1-218-692-11	s RESISTOR,CHIP 1.0K 1/16W(1608)
R537	1-218-660-91	s RESISTOR,CHIP 47 1/16W (1608)
R538	1-218-700-11	s RESISTOR,CHIP 2.2K 1/16W(1608)
R539	1-218-716-11	s RESISTOR,CHIP 10K 1/16W(1608)

(EQ-45BA BOARD for DVW-A510P/510P, LOT No. 002 or higher)

Ref. No. or Q'ty	Part No.	SP	Description
R540	1-218-661-11	s	RESISTOR,CHIP 51 1/16W (1608)
R541	1-218-668-11	s	RESISTOR,CHIP 100 1/16W (1608)
R542	1-218-676-11	s	RESISTOR,CHIP 220 1/16W(1608)
R543	1-218-676-11	s	RESISTOR,CHIP 220 1/16W(1608)
R544	1-218-684-11	s	RESISTOR,CHIP 470 1/16W (1608)
R545	1-216-855-11	s	RESISTOR, CHIP 680K 1/16W 1608
R546	1-218-716-11	s	RESISTOR,CHIP 10K 1/16W(1608)
R547	1-218-692-11	s	RESISTOR,CHIP 1.0K 1/16W(1608)
R548	1-218-663-11	s	RESISTOR,CHIP 62 1/16W (1608)
R549	1-218-730-11	s	RESISTOR METAL FILM CHIP 39K
R551	1-218-684-11	s	RESISTOR,CHIP 470 1/16W (1608)
R552	1-218-700-11	s	RESISTOR,CHIP 2.2K 1/16W(1608)
R553	1-218-660-91	s	RESISTOR,CHIP 47 1/16W (1608)
R554	1-218-700-11	s	RESISTOR,CHIP 2.2K 1/16W(1608)
R555	1-218-660-91	s	RESISTOR,CHIP 47 1/16W (1608)
R556	1-218-656-11	s	RESISTOR,CHIP 33 1/16W (1608)
R558	1-218-660-91	s	RESISTOR,CHIP 47 1/16W (1608)
R559	1-218-708-11	s	RESISTOR,CHIP 4.7K 1/16W(1608)
R560	1-218-660-91	s	RESISTOR,CHIP 47 1/16W (1608)
R561	1-218-708-11	s	RESISTOR,CHIP 4.7K 1/16W(1608)
R562	*j 1-218-668-11	s	RESISTOR,CHIP 100 1/16W (1608)
R805	1-218-692-11	s	RESISTOR,CHIP 1.0K 1/16W(1608)
R806	1-218-692-11	s	RESISTOR,CHIP 1.0K 1/16W(1608)
R807	1-218-732-11	s	RESISTOR,CHIP 47K 1/16W(1608)
R808	1-218-714-11	s	RESISTOR,CHIP 8.2K 1/16W(1608)
R809	1-218-732-11	s	RESISTOR,CHIP 47K 1/16W(1608)
R810	1-218-708-11	s	RESISTOR,CHIP 4.7K 1/16W(1608)
R811	1-218-732-11	s	RESISTOR,CHIP 47K 1/16W(1608)
R812	1-218-714-11	s	RESISTOR,CHIP 8.2K 1/16W(1608)
R813	1-218-732-11	s	RESISTOR,CHIP 47K 1/16W(1608)
R814	1-218-724-11	s	RESISTOR,CHIP 22K 1/16W(1608)
R815	1-218-724-11	s	RESISTOR,CHIP 22K 1/16W(1608)
R816	1-218-724-11	s	RESISTOR,CHIP 22K 1/16W(1608)
R817	1-218-724-11	s	RESISTOR,CHIP 22K 1/16W(1608)
R818	1-216-864-11	s	RESISTOR,CHIP 0 1/16W (1608)
R819	1-216-864-11	s	RESISTOR,CHIP 0 1/16W (1608)
R820	1-218-712-11	s	RESISTOR,METAL 6.8K 1/16W
R821	1-218-719-11	s	RESISTOR,METAL 13K 1/16
R822	1-218-712-11	s	RESISTOR,METAL 6.8K 1/16W
R823	1-218-719-11	s	RESISTOR,METAL 13K 1/16
R824	1-218-716-11	s	RESISTOR,CHIP 10K 1/16W(1608)
R825	1-218-750-11	s	RESISTOR,CHIP 270K 1/16W(1608)
R826	1-218-709-11	s	RESISTOR,CHIP 5.1K 1/16W
R827	1-218-712-11	s	RESISTOR,METAL 6.8K 1/16W
R828	1-218-695-11	s	RESISTOR,CHIP 1.3K 1/16W(1608)
R829	1-218-709-11	s	RESISTOR,CHIP 5.1K 1/16W
R830	1-218-712-11	s	RESISTOR,METAL 6.8K 1/16W
R831	1-218-695-11	s	RESISTOR,CHIP 1.3K 1/16W(1608)
R832	1-218-702-11	s	RESISTOR CHIP 2.7K 1/16W(1608)
R833	1-218-702-11	s	RESISTOR CHIP 2.7K 1/16W(1608)
R834	1-218-720-11	s	RESISTOR,CHIP 15K 1/16W(1608)
R835	1-218-720-11	s	RESISTOR,CHIP 15K 1/16W(1608)
R836	1-218-702-11	s	RESISTOR CHIP 2.7K 1/16W(1608)
R837	1-218-702-11	s	RESISTOR CHIP 2.7K 1/16W(1608)
R838	1-218-719-11	s	RESISTOR,METAL 13K 1/16
R839	1-218-652-11	s	RESISTOR,CHIP 22 1/16W (1608)
R840	1-218-719-11	s	RESISTOR,METAL 13K 1/16
R841	1-218-652-11	s	RESISTOR,CHIP 22 1/16W (1608)
R842	1-218-716-11	s	RESISTOR,CHIP 10K 1/16W(1608)

(EQ-45BA BOARD for DVW-A510P/510P, LOT No. 002 or higher)

Ref. No. or Q'ty	Part No.	SP	Description
R843	1-218-716-11	s	RESISTOR,CHIP 10K 1/16W(1608)
R844	1-218-716-11	s	RESISTOR,CHIP 10K 1/16W(1608)
R845	1-218-716-11	s	RESISTOR,CHIP 10K 1/16W(1608)
R846	1-218-677-11	s	RESISTOR,CHIP 240 1/16W (1608)
R847	1-218-677-11	s	RESISTOR,CHIP 240 1/16W (1608)
R848	1-218-716-11	s	RESISTOR,CHIP 10K 1/16W(1608)
R849	1-218-716-11	s	RESISTOR,CHIP 10K 1/16W(1608)
R850	1-218-716-11	s	RESISTOR,CHIP 10K 1/16W(1608)
R851	1-218-716-11	s	RESISTOR,CHIP 10K 1/16W(1608)
R852	1-218-652-11	s	RESISTOR,CHIP 22 1/16W (1608)
R853	1-218-652-11	s	RESISTOR,CHIP 22 1/16W (1608)
R854	1-218-719-11	s	RESISTOR,METAL 13K 1/16
R855	1-218-719-11	s	RESISTOR,METAL 13K 1/16
R856	*af 1-218-660-91	s	RESISTOR,CHIP 47 1/16W (1608)
	*b 1-216-864-11	s	RESISTOR,CHIP 0 1/16W (1608)
R857	*af 1-218-660-91	s	RESISTOR,CHIP 47 1/16W (1608)
	*b 1-216-864-11	s	RESISTOR,CHIP 0 1/16W (1608)
R858	1-218-688-11	s	RESISTOR,CHIP 680 1/16W(1608)
R859	1-218-688-11	s	RESISTOR,CHIP 680 1/16W(1608)
R860	1-218-700-11	s	RESISTOR,CHIP 2.2K 1/16W(1608)
R861	1-218-688-11	s	RESISTOR,CHIP 680 1/16W(1608)
R862	1-218-700-11	s	RESISTOR,CHIP 2.2K 1/16W(1608)
R863	1-218-688-11	s	RESISTOR,CHIP 680 1/16W(1608)
R864	1-218-709-11	s	RESISTOR,CHIP 5.1K 1/16W
R865	1-218-720-11	s	RESISTOR,CHIP 15K 1/16W(1608)
R866	1-218-709-11	s	RESISTOR,CHIP 5.1K 1/16W
R867	1-218-720-11	s	RESISTOR,CHIP 15K 1/16W(1608)
R868	1-218-709-11	s	RESISTOR,CHIP 5.1K 1/16W
R869	1-218-720-11	s	RESISTOR,CHIP 15K 1/16W(1608)
R870	1-218-709-11	s	RESISTOR,CHIP 5.1K 1/16W
R871	1-218-720-11	s	RESISTOR,CHIP 15K 1/16W(1608)
R872	1-218-716-11	s	RESISTOR,CHIP 10K 1/16W(1608)
R873	1-218-716-11	s	RESISTOR,CHIP 10K 1/16W(1608)
R874	*i 1-218-660-91	s	RESISTOR,CHIP 47 1/16W (1608)
	*e 1-218-676-11	s	RESISTOR,CHIP 220 1/16W(1608)
R875	*i 1-218-660-91	s	RESISTOR,CHIP 47 1/16W (1608)
	*e 1-218-676-11	s	RESISTOR,CHIP 220 1/16W(1608)
R876	*i 1-218-660-91	s	RESISTOR,CHIP 47 1/16W (1608)
	*e 1-218-676-11	s	RESISTOR,CHIP 220 1/16W(1608)
R877	*i 1-218-660-91	s	RESISTOR,CHIP 47 1/16W (1608)
	*e 1-218-676-11	s	RESISTOR,CHIP 220 1/16W(1608)
R878	*f 1-218-660-91	s	RESISTOR,CHIP 47 1/16W (1608)
	*e 1-218-676-11	s	RESISTOR,CHIP 220 1/16W(1608)
R879	*i 1-218-660-91	s	RESISTOR,CHIP 47 1/16W (1608)
	*e 1-218-676-11	s	RESISTOR,CHIP 220 1/16W(1608)
R880	*i 1-218-660-91	s	RESISTOR,CHIP 47 1/16W (1608)
	*e 1-218-676-11	s	RESISTOR,CHIP 220 1/16W(1608)
R881	*i 1-218-660-91	s	RESISTOR,CHIP 47 1/16W (1608)
	*e 1-218-676-11	s	RESISTOR,CHIP 220 1/16W(1608)
R882	*i 1-218-660-91	s	RESISTOR,CHIP 47 1/16W (1608)
	*e 1-218-676-11	s	RESISTOR,CHIP 220 1/16W(1608)
R883	*f 1-218-660-91	s	RESISTOR,CHIP 47 1/16W (1608)
	*e 1-218-676-11	s	RESISTOR,CHIP 220 1/16W(1608)
R884	1-218-732-11	s	RESISTOR,CHIP 47K 1/16W(1608)
R885	1-218-732-11	s	RESISTOR,CHIP 47K 1/16W(1608)
R886	1-218-660-91	s	RESISTOR,CHIP 47 1/16W (1608)
R887	*h 1-218-660-91	s	RESISTOR,CHIP 47 1/16W (1608)
R888	*h 1-218-660-91	s	RESISTOR,CHIP 47 1/16W (1608)
R889	*h 1-218-660-91	s	RESISTOR,CHIP 47 1/16W (1608)
R890	*h 1-218-660-91	s	RESISTOR,CHIP 47 1/16W (1608)
R891	1-218-660-91	s	RESISTOR,CHIP 47 1/16W (1608)

(EQ-45BA BOARD for DVW-A510P/510P, LOT No. 002 or higher)

Ref. No. or Q'ty	Part No.	SP	Description
R892	*h 1-218-660-91	s	RESISTOR,CHIP 47 1/16W (1608)
R893	*h 1-218-660-91	s	RESISTOR,CHIP 47 1/16W (1608)
R894	*h 1-218-660-91	s	RESISTOR,CHIP 47 1/16W (1608)
R895	*h 1-218-660-91	s	RESISTOR,CHIP 47 1/16W (1608)
R896	1-218-660-91	s	RESISTOR,CHIP 47 1/16W (1608)
R897	1-218-660-91	s	RESISTOR,CHIP 47 1/16W (1608)
R898	*f 1-218-660-91	s	RESISTOR,CHIP 47 1/16W (1608)
R899	*f 1-218-660-91	s	RESISTOR,CHIP 47 1/16W (1608)
RB100	*j 1-239-409-11	s	RESISTOR NETWORK 47 (1608)
RB101	*j 1-236-908-11	s	RESISTOR,NETWORK 10K (3216)
RB102	*j 1-236-904-11	s	RESISTOR NETWORK 1K (1608)
RB200	*j 1-236-908-11	s	RESISTOR,NETWORK 10K (3216)
RB201	*j 1-239-409-11	s	RESISTOR NETWORK 47 (1608)
RB800	*j 1-239-409-11	s	RESISTOR NETWORK 47 (1608)
RB801	*j 1-239-409-11	s	RESISTOR NETWORK 47 (1608)
RB802	*j 1-239-409-11	s	RESISTOR NETWORK 47 (1608)
RB803	*j 1-239-409-11	s	RESISTOR NETWORK 47 (1608)
RV401	1-237-031-11	s	RESISTOR,ADJ,CERMET 200
RV501	1-237-031-11	s	RESISTOR,ADJ,CERMET 200
RV801	1-237-036-11	s	RESISTOR, ADJ,CERMET 10K
RV802	1-241-261-41	s	RESISTOR, ADJ, CERMET 1K
RV803	1-237-036-11	s	RESISTOR, ADJ,CERMET 10K
RV804	1-241-261-41	s	RESISTOR, ADJ, CERMET 1K
S100	1-570-711-11	s	SWITCH,SLIDE
S700	1-572-473-11	s	SWITCH, TACTIL
X100	1-781-829-22	s	OSCILLATOR, CRYSTAL (SMD)
X101	1-781-828-22	s	OSCILLATOR, CRYSTAL (SMD)

EQ-45BA BOARD for DVW-A510P/CA510P, LOT No. 302 through 001

Ref. No. or Q'ty	Part No.	SP	Description
1pc	A-8275-357-A	o	MOUNTED CIRCUIT BOARD, EQ-45BAP
1pc	3-179-084-01	s	LEVER (R), PC BOARD
1pc	3-179-085-01	s	LEVER (L), PC BOARD
6pcs	3-182-839-01	o	BRACKET, HEAT SINK RETAINER
2pcs	3-182-840-01	o	HEAT SINK (EQ) For IC401, 501
4pcs	3-185-973-01	o	HEAT SINK (PLL) For IC801-804
C1	1-126-396-11	s	ELECT, CHIP 47uF 20% 16V
C2	1-162-970-11	s	CERAMIC, CHIP 0.01uF 10% 25V (1608)
C3	1-126-392-11	s	ELECT, CHIP 100uF 20% 6.3V
C4	1-162-970-11	s	CERAMIC, CHIP 0.01uF 10% 25V (1608)
C5	1-126-392-11	s	ELECT, CHIP 100uF 20% 6.3V
C6	1-162-970-11	s	CERAMIC, CHIP 0.01uF 10% 25V (1608)
C7	1-126-396-11	s	ELECT, CHIP 47uF 20% 16V
C8	1-162-970-11	s	CERAMIC, CHIP 0.01uF 10% 25V (1608)
C100	1-164-156-11	s	CERAMIC, CHIP 0.1uF 25V (1608)
C101-107	1-162-970-11	s	CERAMIC, CHIP 0.01uF 10% 25V (1608)
C108	1-126-399-11	s	ELECT, CHIP 10uF 20% 35V
C109	1-162-970-11	s	CERAMIC, CHIP 0.01uF 10% 25V (1608)
C110	1-162-970-11	s	CERAMIC, CHIP 0.01uF 10% 25V (1608)
C111	1-126-399-11	s	ELECT, CHIP 10uF 20% 35V
C113	1-162-970-11	s	CERAMIC, CHIP 0.01uF 10% 25V (1608)
C114	1-126-399-11	s	ELECT, CHIP 10uF 20% 35V
C115	1-162-970-11	s	CERAMIC, CHIP 0.01uF 10% 25V (1608)
C116	1-164-156-11	s	CERAMIC, CHIP 0.1uF 25V (1608)
C117-120	1-162-970-11	s	CERAMIC, CHIP 0.01uF 10% 25V (1608)
C121	1-164-156-11	s	CERAMIC, CHIP 0.1uF 25V (1608)
C122	1-162-970-11	s	CERAMIC, CHIP 0.01uF 10% 25V (1608)
C123	1-126-392-11	s	ELECT, CHIP 100uF 20% 6.3V
C301-304	1-164-156-11	s	CERAMIC, CHIP 0.1uF 25V (1608)
C342	1-162-970-11	s	CERAMIC, CHIP 0.01uF 10% 25V (1608)
C343	1-162-970-11	s	CERAMIC, CHIP 0.01uF 10% 25V (1608)
C344	1-164-156-11	s	CERAMIC, CHIP 0.1uF 25V (1608)
C352	1-162-970-11	s	CERAMIC, CHIP 0.01uF 10% 25V (1608)
C353	1-162-970-11	s	CERAMIC, CHIP 0.01uF 10% 25V (1608)
C354	1-164-156-11	s	CERAMIC, CHIP 0.1uF 25V (1608)
C400	1-162-927-11	s	CERAMIC, CHIP 100pF 5% 50V (1608)
C403-408	1-164-156-11	s	CERAMIC, CHIP 0.1uF 25V (1608)
C409	1-162-970-11	s	CERAMIC, CHIP 0.01uF 10% 25V (1608)
C411	1-164-315-11	s	CERAMIC, CHIP 470pF 5% 50V (1608)
C412	1-164-315-11	s	CERAMIC, CHIP 470pF 5% 50V (1608)
C413	1-164-156-11	s	CERAMIC, CHIP 0.1uF 25V (1608)
C414	1-162-970-11	s	CERAMIC, CHIP 0.01uF 10% 25V (1608)
C415-418	1-164-156-11	s	CERAMIC, CHIP 0.1uF 25V (1608)
C420	1-164-156-11	s	CERAMIC, CHIP 0.1uF 25V (1608)
C421	1-164-156-11	s	CERAMIC, CHIP 0.1uF 25V (1608)
C422	1-162-970-11	s	CERAMIC, CHIP 0.01uF 10% 25V (1608)
C423	1-162-970-11	s	CERAMIC, CHIP 0.01uF 10% 25V (1608)
C424-427	1-164-156-11	s	CERAMIC, CHIP 0.1uF 25V (1608)
C428	1-135-210-11	s	TANTALUM, CHIP 4.7uF 20% 10V
C429	1-164-217-11	s	CERAMIC, CHIP 150pF 5% 50V (1608)
C430	1-164-217-11	s	CERAMIC, CHIP 150pF 5% 50V (1608)
C431	1-135-210-11	s	TANTALUM, CHIP 4.7uF 20% 10V
C432	1-164-217-11	s	CERAMIC, CHIP 150pF 5% 50V (1608)
C433-435	1-164-156-11	s	CERAMIC, CHIP 0.1uF 25V (1608)
C436	1-162-970-11	s	CERAMIC, CHIP 0.01uF 10% 25V (1608)
C437	1-164-156-11	s	CERAMIC, CHIP 0.1uF 25V (1608)

Ref. No. or Q'ty	Part No.	SP	Description	Ref. No. or Q'ty	Part No.	SP	Description
C438	1-164-156-11	s	CERAMIC, CHIP 0.1uF 25V (1608)	C809	1-164-156-11	s	CERAMIC, CHIP 0.1uF 25V (1608)
C439	1-162-909-11	s	CERAMIC, CHIP 4pF 50V (1608)	C810	1-162-970-11	s	CERAMIC, CHIP 0.01uF 10% 25V (1608)
C440	1-162-924-11	s	CERAMIC, CHIP 56pF 5% 50V (1608)	C811	1-162-970-11	s	CERAMIC, CHIP 0.01uF 10% 25V (1608)
C441-443	1-164-156-11	s	CERAMIC, CHIP 0.1uF 25V (1608)	C812	1-164-315-11	s	CERAMIC, CHIP 470pF 5% 50V (1608)
C444	1-162-970-11	s	CERAMIC, CHIP 0.01uF 10% 25V (1608)	C813	1-162-919-11	s	CERAMIC, CHIP 22pF 5% 50V (1608)
C445-452	1-164-156-11	s	CERAMIC, CHIP 0.1uF 25V (1608)	C814	1-162-970-11	s	CERAMIC, CHIP 0.01uF 10% 25V (1608)
C454-457	1-164-156-11	s	CERAMIC, CHIP 0.1uF 25V (1608)	C815	1-162-923-11	s	CERAMIC, CHIP 47pF 5% 50V (1608)
C458	1-162-915-11	s	CERAMIC, CHIP 10pF 50V (1608)	C816	1-164-156-11	s	CERAMIC, CHIP 0.1uF 25V (1608)
C460	1-126-404-11	s	ELECT, CHIP 4.7uF 20% 50V	C817	1-164-156-11	s	CERAMIC, CHIP 0.1uF 25V (1608)
C461	1-162-963-11	s	CERAMIC, CHIP 680pF 10% 50V (1608)	C818	1-162-919-11	s	CERAMIC, CHIP 22pF 5% 50V (1608)
C462	1-162-967-11	s	CERAMIC, CHIP 3300pF 10% 50V (1608)	C819	1-162-927-11	s	CERAMIC, CHIP 100pF 5% 50V (1608)
C463	1-164-156-11	s	CERAMIC, CHIP 0.1uF 25V (1608)	C820	1-162-970-11	s	CERAMIC, CHIP 0.01uF 10% 25V (1608)
C464	1-164-156-11	s	CERAMIC, CHIP 0.1uF 25V (1608)	C821-823	1-126-392-11	s	ELECT, CHIP 100uF 20% 6.3V
C482	1-164-156-11	s	CERAMIC, CHIP 0.1uF 25V (1608)	C824	1-162-927-11	s	CERAMIC, CHIP 100pF 5% 50V (1608)
C483	1-164-156-11	s	CERAMIC, CHIP 0.1uF 25V (1608)	C825	1-162-927-11	s	CERAMIC, CHIP 100pF 5% 50V (1608)
C500	1-162-927-11	s	CERAMIC, CHIP 100pF 5% 50V (1608)	C826	1-162-970-11	s	CERAMIC, CHIP 0.01uF 10% 25V (1608)
C503-505	1-164-156-11	s	CERAMIC, CHIP 0.1uF 25V (1608)	C827	1-162-927-11	s	CERAMIC, CHIP 100pF 5% 50V (1608)
C507	1-164-156-11	s	CERAMIC, CHIP 0.1uF 25V (1608)	C829	1-162-970-11	s	CERAMIC, CHIP 0.01uF 10% 25V (1608)
C508	1-164-156-11	s	CERAMIC, CHIP 0.1uF 25V (1608)	C830	1-162-927-11	s	CERAMIC, CHIP 100pF 5% 50V (1608)
C509	1-162-970-11	s	CERAMIC, CHIP 0.01uF 10% 25V (1608)	C831	1-162-927-11	s	CERAMIC, CHIP 100pF 5% 50V (1608)
C511	1-164-315-11	s	CERAMIC, CHIP 470pF 5% 50V (1608)	C832	1-162-970-11	s	CERAMIC, CHIP 0.01uF 10% 25V (1608)
C512	1-164-315-11	s	CERAMIC, CHIP 470pF 5% 50V (1608)	C833	1-162-970-11	s	CERAMIC, CHIP 0.01uF 10% 25V (1608)
C515-518	1-164-156-11	s	CERAMIC, CHIP 0.1uF 25V (1608)	C834-836	1-164-156-11	s	CERAMIC, CHIP 0.1uF 25V (1608)
C520	1-164-156-11	s	CERAMIC, CHIP 0.1uF 25V (1608)	C837	1-135-145-11	s	TANTALUM, CHIP 0.47uF 10% 35V
C521	1-164-156-11	s	CERAMIC, CHIP 0.1uF 25V (1608)	C838	1-126-392-11	s	ELECT, CHIP 100uF 20% 6.3V
C522	1-162-970-11	s	CERAMIC, CHIP 0.01uF 10% 25V (1608)	C839	1-126-392-11	s	ELECT, CHIP 100uF 20% 6.3V
C523	1-162-970-11	s	CERAMIC, CHIP 0.01uF 10% 25V (1608)	C840	1-162-970-11	s	CERAMIC, CHIP 0.01uF 10% 25V (1608)
C524-527	1-164-156-11	s	CERAMIC, CHIP 0.1uF 25V (1608)	C841	1-164-156-11	s	CERAMIC, CHIP 0.1uF 25V (1608)
C528	1-135-210-11	s	TANTALUM, CHIP 4.7uF 20% 10V	C842	1-162-970-11	s	CERAMIC, CHIP 0.01uF 10% 25V (1608)
C529	1-164-217-11	s	CERAMIC, CHIP 150pF 5% 50V (1608)	C843	1-162-970-11	s	CERAMIC, CHIP 0.01uF 10% 25V (1608)
C530	1-164-217-11	s	CERAMIC, CHIP 150pF 5% 50V (1608)	C844	1-164-315-11	s	CERAMIC, CHIP 470pF 5% 50V (1608)
C531	1-135-210-11	s	TANTALUM, CHIP 4.7uF 20% 10V	C848	1-164-156-11	s	CERAMIC, CHIP 0.1uF 25V (1608)
C532	1-164-217-11	s	CERAMIC, CHIP 150pF 5% 50V (1608)	C849	1-164-156-11	s	CERAMIC, CHIP 0.1uF 25V (1608)
C533-535	1-164-156-11	s	CERAMIC, CHIP 0.1uF 25V (1608)	C852	1-162-970-11	s	CERAMIC, CHIP 0.01uF 10% 25V (1608)
C536	1-162-970-11	s	CERAMIC, CHIP 0.01uF 10% 25V (1608)	C853-855	1-126-392-11	s	ELECT, CHIP 100uF 20% 6.3V
C537	1-164-156-11	s	CERAMIC, CHIP 0.1uF 25V (1608)	C856	1-162-927-11	s	CERAMIC, CHIP 100pF 5% 50V (1608)
C538	1-164-156-11	s	CERAMIC, CHIP 0.1uF 25V (1608)	C857	1-162-927-11	s	CERAMIC, CHIP 100pF 5% 50V (1608)
C539	1-162-909-11	s	CERAMIC, CHIP 4pF 50V (1608)	C858	1-162-970-11	s	CERAMIC, CHIP 0.01uF 10% 25V (1608)
C540	1-162-924-11	s	CERAMIC, CHIP 56pF 5% 50V (1608)	C859	1-162-927-11	s	CERAMIC, CHIP 100pF 5% 50V (1608)
C541-543	1-164-156-11	s	CERAMIC, CHIP 0.1uF 25V (1608)	C861	1-162-970-11	s	CERAMIC, CHIP 0.01uF 10% 25V (1608)
C544	1-162-970-11	s	CERAMIC, CHIP 0.01uF 10% 25V (1608)	C862	1-162-927-11	s	CERAMIC, CHIP 100pF 5% 50V (1608)
C545-552	1-164-156-11	s	CERAMIC, CHIP 0.1uF 25V (1608)	C863	1-162-927-11	s	CERAMIC, CHIP 100pF 5% 50V (1608)
C554-557	1-164-156-11	s	CERAMIC, CHIP 0.1uF 25V (1608)	C864	1-162-970-11	s	CERAMIC, CHIP 0.01uF 10% 25V (1608)
C558	1-162-915-11	s	CERAMIC, CHIP 10pF 50V (1608)	C865	1-162-970-11	s	CERAMIC, CHIP 0.01uF 10% 25V (1608)
C560	1-126-404-11	s	ELECT, CHIP 4.7uF 20% 50V	C872	1-164-156-11	s	CERAMIC, CHIP 0.1uF 25V (1608)
C561	1-162-963-11	s	CERAMIC, CHIP 680pF 10% 50V (1608)	C873	1-126-392-11	s	ELECT, CHIP 100uF 20% 6.3V
C562	1-162-967-11	s	CERAMIC, CHIP 3300pF 10% 50V (1608)	C874	1-162-970-11	s	CERAMIC, CHIP 0.01uF 10% 25V (1608)
C563	1-164-156-11	s	CERAMIC, CHIP 0.1uF 25V (1608)	C875	1-164-156-11	s	CERAMIC, CHIP 0.1uF 25V (1608)
C564	1-164-156-11	s	CERAMIC, CHIP 0.1uF 25V (1608)	C876	1-162-970-11	s	CERAMIC, CHIP 0.01uF 10% 25V (1608)
C800	1-162-927-11	s	CERAMIC, CHIP 100pF 5% 50V (1608)	C877	1-162-970-11	s	CERAMIC, CHIP 0.01uF 10% 25V (1608)
C801	1-162-970-11	s	CERAMIC, CHIP 0.01uF 10% 25V (1608)	C878	1-162-923-11	s	CERAMIC, CHIP 47pF 5% 50V (1608)
C802-804	1-164-156-11	s	CERAMIC, CHIP 0.1uF 25V (1608)	C880-887	1-164-156-11	s	CERAMIC, CHIP 0.1uF 25V (1608)
C805	1-135-145-11	s	TANTALUM, CHIP 0.47uF 10% 35V	CN106	1-750-795-21	s	CONNECTOR, PHEC 120P, MALE
C806	1-126-392-11	s	ELECT, CHIP 100uF 20% 6.3V	CN601	1-506-471-11	o	CONNECTOR, 6P, MALE
C807	1-126-392-11	s	ELECT, CHIP 100uF 20% 6.3V	CN606	1-506-468-11	o	CONNECTOR, 3P, MALE
C808	1-162-970-11	s	CERAMIC, CHIP 0.01uF 10% 25V (1608)	CN607	1-506-468-11	o	CONNECTOR, 3P, MALE

Ref. No. or Q'ty	Part No.	SP Description
CP101	1-760-005-11	s OSCILLATOR, CRYSTAL 65.0287 MHz
D401	8-719-941-23	s DIODE DA204U
D501	8-719-941-23	s DIODE DA204U
DL420	1-415-799-11	s DELAY LINE
DL520	1-415-799-11	s DELAY LINE
FL101-111	1-239-719-31	s FILTER, NOISE, CHIP
FL116	1-239-719-31	s FILTER, NOISE, CHIP
FL125	1-239-719-31	s FILTER, NOISE, CHIP
FL126	1-239-719-31	s FILTER, NOISE, CHIP
FL401	1-239-718-21	s FILTER, LOW PASS
FL501	1-239-718-21	s FILTER, LOW PASS
IC101	8-759-548-77	s IC SN74LV245ANSR
IC102	8-759-548-77	s IC SN74LV245ANSR
IC103	8-759-172-71	s IC CXD8816R
IC104	8-759-548-77	s IC SN74LV245ANSR
IC105	8-759-548-77	s IC SN74LV245ANSR
IC107	8-759-548-77	s IC SN74LV245ANSR
IC108	8-759-081-44	s IC TC74VHC04F
IC109	8-759-673-36	s IC MM74HC00SJX
IC301	8-759-446-74	s IC TA79L05F
IC302	8-759-234-08	s IC TA78L05F
IC341	8-759-112-53	s IC UPC1663G
IC351	8-759-112-53	s IC UPC1663G
IC400	8-759-234-94	s IC TA8504F
IC401	8-752-084-12	s IC CXA1808Q
IC402	8-759-635-27	s IC M62352GP
IC403	8-759-300-71	s IC HD14053BFP
IC404	8-759-234-08	s IC TA78L05F
IC405	8-759-446-74	s IC TA79L05F
IC406	8-759-446-74	s IC TA79L05F
IC407	8-759-908-17	s IC TL082CPS
IC408	8-759-195-00	s IC UPA101G-E2
IC409	8-759-446-74	s IC TA79L05F
IC500	8-759-234-94	s IC TA8504F
IC501	8-752-084-12	s IC CXA1808Q
IC503	8-759-300-71	s IC HD14053BFP
IC504	8-759-234-08	s IC TA78L05F
IC505	8-759-446-74	s IC TA79L05F
IC507	8-759-908-17	s IC TL082CPS
IC508	8-759-195-00	s IC UPA101G-E2
IC509	8-759-446-74	s IC TA79L05F
IC801	8-752-066-44	s IC CXA1805Q
IC802	8-752-066-45	s IC CXA1806Q
IC803	8-752-066-44	s IC CXA1805Q
IC804	8-752-066-45	s IC CXA1806Q
IC805	8-759-173-13	s IC CXD8815Q
IC806	8-759-635-27	s IC M62352GP
IC807	8-759-970-59	s IC TLC272CPS
IC808	8-759-908-92	s IC TL084CNS
IC809	8-759-970-59	s IC TLC272CPS
IC810	8-759-908-92	s IC TL084CNS
IC880	8-759-234-08	s IC TA78L05F
IC881	8-759-446-74	s IC TA79L05F

Ref. No. or Q'ty	Part No.	SP Description
IC882	8-759-446-74	s IC TA79L05F
IC883	8-759-446-74	s IC TA79L05F
L101-103	1-410-803-31	s INDUCTOR, CHIP 0.047uH
L104	1-410-377-31	s INDUCTOR, CHIP 4.7uH
L423	1-412-190-11	s INDUCTOR, CHIP 33uH
L424	1-412-190-11	s INDUCTOR, CHIP 33uH
L425	1-412-206-11	s INDUCTOR, CHIP 1.0mH
L523	1-412-190-11	s INDUCTOR, CHIP 33uH
L524	1-412-190-11	s INDUCTOR, CHIP 33uH
L525	1-412-206-11	s INDUCTOR, CHIP 1.0mH
L801-811	1-410-377-31	s INDUCTOR, CHIP 4.7uH
PS1	Δ 1-533-348-11	s LINK, IC, CHIP 4A
Q101	8-729-143-14	s TRANSISTOR 2SC4176-B35
Q102	8-729-143-14	s TRANSISTOR 2SC4176-B35
Q103	8-729-905-12	s TRANSISTOR DTA144EU
Q104	8-729-905-12	s TRANSISTOR DTA144EU
Q400	8-729-143-14	s TRANSISTOR 2SC4176-B35
Q401	8-729-143-14	s TRANSISTOR 2SC4176-B35
Q402	8-729-924-56	s TRANSISTOR DTC123JU
Q403	8-729-143-07	s TRANSISTOR 2SA1610-Y33
Q404	8-729-143-14	s TRANSISTOR 2SC4176-B35
Q405	8-729-143-14	s TRANSISTOR 2SC4176-B35
Q420	8-729-143-14	s TRANSISTOR 2SC4176-B35
Q421	8-729-143-14	s TRANSISTOR 2SC4176-B35
Q424-426	8-729-143-14	s TRANSISTOR 2SC4176-B35
Q500	8-729-143-14	s TRANSISTOR 2SC4176-B35
Q501	8-729-143-14	s TRANSISTOR 2SC4176-B35
Q502	8-729-924-56	s TRANSISTOR DTC123JU
Q503	8-729-143-07	s TRANSISTOR 2SA1610-Y33
Q504	8-729-143-14	s TRANSISTOR 2SC4176-B35
Q505	8-729-143-14	s TRANSISTOR 2SC4176-B35
Q520	8-729-143-14	s TRANSISTOR 2SC4176-B35
Q521	8-729-143-14	s TRANSISTOR 2SC4176-B35
Q524-526	8-729-143-14	s TRANSISTOR 2SC4176-B35
Q800	8-729-905-18	s TRANSISTOR DTC144EU
Q801	8-729-143-14	s TRANSISTOR 2SC4176-B35
Q802	8-729-143-14	s TRANSISTOR 2SC4176-B35
Q803	8-729-117-32	s TRANSISTOR 2SC4177-L6
Q804	8-729-209-07	s TRANSISTOR 2SC4213-B
Q805	8-729-209-07	s TRANSISTOR 2SC4213-B
Q806	8-729-117-32	s TRANSISTOR 2SC4177-L6
Q807	8-729-209-07	s TRANSISTOR 2SC4213-B
Q808	8-729-209-07	s TRANSISTOR 2SC4213-B
Q809	8-729-905-18	s TRANSISTOR DTC144EU
Q810	8-729-140-63	s TRANSISTOR 2SA1611-M5M6
Q811-814	8-729-209-07	s TRANSISTOR 2SC4213-B
R100	1-216-833-11	s METAL, CHIP 10K 5% 1/16W (1608)
R101-109	1-216-813-11	s METAL, CHIP 220 5% 1/16W (1608)
R110-115	1-216-833-11	s METAL, CHIP 10K 5% 1/16W (1608)
R116-119	1-216-805-11	s METAL, CHIP 47 5% 1/16W (1608)
R120-125	1-216-821-11	s METAL, CHIP 1.0K 5% 1/16W (1608)
R126	1-216-805-11	s METAL, CHIP 47 5% 1/16W (1608)
R127	1-216-821-11	s METAL, CHIP 1.0K 5% 1/16W (1608)
R128-130	1-216-805-11	s METAL, CHIP 47 5% 1/16W (1608)
R131	1-216-833-11	s METAL, CHIP 10K 5% 1/16W (1608)



Ref. No. or Q'ty	Part No.	SP	Description	Ref. No. or Q'ty	Part No.	SP	Description
R132-135	1-216-805-11	s	METAL, CHIP 47 5% 1/16W (1608)	R420-422	1-216-809-11	s	METAL, CHIP 100 5% 1/16W (1608)
R136	1-216-841-11	s	METAL, CHIP 47K 5% 1/16W (1608)	R423	1-216-805-11	s	METAL, CHIP 47 5% 1/16W (1608)
R137	1-216-805-11	s	METAL, CHIP 47 5% 1/16W (1608)	R424	1-216-819-11	s	METAL, CHIP 680 5% 1/16W (1608)
R141	1-216-823-11	s	METAL, CHIP 1.5K 5% 1/16W (1608)	R425	1-216-821-11	s	METAL, CHIP 1.0K 5% 1/16W (1608)
R142	1-216-813-11	s	METAL, CHIP 220 5% 1/16W (1608)	R426	1-218-676-11	s	METAL, CHIP 220 0.5% 1/16W (1608)
R143	1-216-823-11	s	METAL, CHIP 1.5K 5% 1/16W (1608)	R427	1-218-688-11	s	METAL, CHIP 680 0.5% 1/16W (1608)
R144	1-216-813-11	s	METAL, CHIP 220 5% 1/16W (1608)	R428	1-218-676-11	s	METAL, CHIP 220 0.5% 1/16W (1608)
R145	1-216-805-11	s	METAL, CHIP 47 5% 1/16W (1608)	R429	1-216-809-11	s	METAL, CHIP 100 5% 1/16W (1608)
R146	1-216-833-11	s	METAL, CHIP 10K 5% 1/16W (1608)	R430	1-218-676-11	s	METAL, CHIP 220 0.5% 1/16W (1608)
R147	1-216-805-11	s	METAL, CHIP 47 5% 1/16W (1608)	R431	1-218-676-11	s	METAL, CHIP 220 0.5% 1/16W (1608)
R148	1-216-828-11	s	METAL, CHIP 3.9K 5% 1/16W (1608)	R432	1-218-680-11	s	METAL, CHIP 330 0.5% 1/16W (1608)
R149	1-216-826-11	s	METAL, CHIP 2.7K 5% 1/16W (1608)	R433	1-216-825-11	s	METAL, CHIP 2.2K 5% 1/16W (1608)
R150	1-216-833-11	s	METAL, CHIP 5.6K 5% 1/16W (1608)	R434	1-216-815-11	s	METAL, CHIP 330 5% 1/16W (1608)
R151	1-216-815-11	s	METAL, CHIP 330 5% 1/16W (1608)	R435	1-218-680-11	s	METAL, CHIP 330 0.5% 1/16W (1608)
R152	1-216-805-11	s	METAL, CHIP 47 5% 1/16W (1608)	R436	1-218-881-11	s	METAL, CHIP 27K 0.5% 1/16W (1608)
R153	1-216-828-11	s	METAL, CHIP 3.9K 5% 1/16W (1608)	R437	1-218-700-11	s	METAL, CHIP 2.2K 0.5% 1/16W (1608)
R154	1-216-826-11	s	METAL, CHIP 2.7K 5% 1/16W (1608)	R438	1-216-809-11	s	METAL, CHIP 100 5% 1/16W (1608)
R155	1-216-830-11	s	METAL, CHIP 5.6K 5% 1/16W (1608)	R439	1-216-805-11	s	METAL, CHIP 47 5% 1/16W (1608)
R156	1-216-815-11	s	METAL, CHIP 330 5% 1/16W (1608)	R440	1-216-825-11	s	METAL, CHIP 2.2K 5% 1/16W (1608)
R157	1-216-805-11	s	METAL, CHIP 47 5% 1/16W (1608)	R441	1-218-842-11	s	METAL, CHIP 620 0.5% 1/16W (1608)
R201	1-216-833-11	s	METAL, CHIP 10K 5% 1/16W (1608)	R442	1-218-676-11	s	METAL, CHIP 220 0.5% 1/16W (1608)
R202	1-216-833-11	s	METAL, CHIP 10K 5% 1/16W (1608)	R443	1-218-680-11	s	METAL, CHIP 330 0.5% 1/16W (1608)
R218	1-216-833-11	s	METAL, CHIP 10K 5% 1/16W (1608)	R444	1-216-805-11	s	METAL, CHIP 47 5% 1/16W (1608)
R219	1-216-805-11	s	METAL, CHIP 47 5% 1/16W (1608)	R445	1-216-817-11	s	METAL, CHIP 470 5% 1/16W (1608)
R224	1-216-805-11	s	METAL, CHIP 47 5% 1/16W (1608)	R446	1-218-664-11	s	METAL, CHIP 68 0.5% 1/16W (1608)
R225	1-216-805-11	s	METAL, CHIP 47 5% 1/16W (1608)	R447	1-218-740-11	s	METAL, CHIP 100K 0.5% 1/16W (1608)
R341	1-216-821-11	s	METAL, CHIP 1.0K 5% 1/16W (1608)	R448	1-216-841-11	s	METAL, CHIP 47K 5% 1/16W (1608)
R342	1-216-809-11	s	METAL, CHIP 100 5% 1/16W (1608)	R449	1-216-841-11	s	METAL, CHIP 47K 5% 1/16W (1608)
R343-345	1-216-821-11	s	METAL, CHIP 1.0K 5% 1/16W (1608)	R451	1-216-809-11	s	METAL, CHIP 100 5% 1/16W (1608)
R346	1-218-661-11	s	METAL, CHIP 51 0.5% 1/16W (1608)	R452	1-216-821-11	s	METAL, CHIP 1.0K 5% 1/16W (1608)
R347	1-216-822-11	s	METAL, CHIP 1.2K 5% 1/16W (1608)	R453	1-216-821-11	s	METAL, CHIP 1.0K 5% 1/16W (1608)
R351	1-216-821-11	s	METAL, CHIP 1.0K 5% 1/16W (1608)	R454	1-216-815-11	s	METAL, CHIP 330 5% 1/16W (1608)
R352	1-216-809-11	s	METAL, CHIP 100 5% 1/16W (1608)	R455	1-218-700-11	s	METAL, CHIP 2.2K 0.5% 1/16W (1608)
R353-355	1-216-821-11	s	METAL, CHIP 1.0K 5% 1/16W (1608)	R456	1-218-692-11	s	METAL, CHIP 1.0K 0.5% 1/16W (1608)
R356	1-218-661-11	s	METAL, CHIP 51 0.5% 1/16W (1608)	R458	1-218-692-11	s	METAL, CHIP 1.0K 0.5% 1/16W (1608)
R357	1-216-822-11	s	METAL, CHIP 1.2K 5% 1/16W (1608)	R462	1-216-819-11	s	METAL, CHIP 680 5% 1/16W (1608)
R400	1-216-821-11	s	METAL, CHIP 1.0K 5% 1/16W (1608)	R463	1-216-815-11	s	METAL, CHIP 330 5% 1/16W (1608)
R401	1-216-833-11	s	METAL, CHIP 10K 5% 1/16W (1608)	R464	1-216-821-11	s	METAL, CHIP 1.0K 5% 1/16W (1608)
R402	1-216-805-11	s	METAL, CHIP 47 5% 1/16W (1608)	R465	1-216-805-11	s	METAL, CHIP 47 5% 1/16W (1608)
R403	1-216-833-11	s	METAL, CHIP 10K 5% 1/16W (1608)	R466	1-216-821-11	s	METAL, CHIP 1.0K 5% 1/16W (1608)
R404	1-216-841-11	s	METAL, CHIP 47K 5% 1/16W (1608)	R467	1-216-821-11	s	METAL, CHIP 1.0K 5% 1/16W (1608)
R405	1-216-789-11	s	METAL, CHIP 2.2 5% 1/16W (1608)	R472	1-218-676-11	s	METAL, CHIP 220 0.5% 1/16W (1608)
R406	1-216-825-11	s	METAL, CHIP 2.2K 5% 1/16W (1608)	R473	1-218-676-11	s	METAL, CHIP 220 0.5% 1/16W (1608)
R407	1-216-805-11	s	METAL, CHIP 47 5% 1/16W (1608)	R474	1-218-842-11	s	METAL, CHIP 620 0.5% 1/16W (1608)
R408	1-216-826-11	s	METAL, CHIP 2.7K 5% 1/16W (1608)	R475	1-216-805-11	s	METAL, CHIP 47 5% 1/16W (1608)
R409	1-218-866-11	s	METAL, CHIP 6.2K 0.5% 1/16W (1608)	R476	1-218-700-11	s	METAL, CHIP 2.2K 0.5% 1/16W (1608)
R410	1-216-803-11	s	METAL, CHIP 33 5% 1/16W (1608)	R477	1-216-809-11	s	METAL, CHIP 100 5% 1/16W (1608)
R411	1-218-881-11	s	METAL, CHIP 27K 0.5% 1/16W (1608)	R478	1-218-676-11	s	METAL, CHIP 220 0.5% 1/16W (1608)
R412	1-216-805-11	s	METAL, CHIP 47 5% 1/16W (1608)	R479	1-218-675-11	s	METAL, CHIP 200 0.5% 1/16W (1608)
R413	1-216-809-11	s	METAL, CHIP 100 5% 1/16W (1608)	R480	1-216-817-11	s	METAL, CHIP 470 5% 1/16W (1608)
R414	1-216-819-11	s	METAL, CHIP 680 5% 1/16W (1608)	R481	1-218-672-11	s	METAL, CHIP 150 0.5% 1/16W (1608)
R415	1-216-811-11	s	METAL, CHIP 150 5% 1/16W (1608)	R482	1-216-817-11	s	METAL, CHIP 470 5% 1/16W (1608)
R416	1-216-789-11	s	METAL, CHIP 2.2 5% 1/16W (1608)	R483	1-216-805-11	s	METAL, CHIP 47 5% 1/16W (1608)
R417	1-218-668-11	s	METAL, CHIP 100 0.5% 1/16W (1608)	R484	1-218-707-11	s	METAL, CHIP 4.3K 0.5% 1/16W (1608)
R418	1-218-680-11	s	METAL, CHIP 330 0.5% 1/16W (1608)	R500	1-216-821-11	s	METAL, CHIP 1.0K 5% 1/16W (1608)
R419	1-216-821-11	s	METAL, CHIP 1.0K 5% 1/16W (1608)	R503	1-216-833-11	s	METAL, CHIP 10K 5% 1/16W (1608)

Ref. No. or Q'ty	Part No.	SP Description
R504	1-216-841-11	s METAL, CHIP 47K 5% 1/16W (1608)
R505	1-216-789-11	s METAL, CHIP 2.2 5% 1/16W (1608)
R506	1-216-825-11	s METAL, CHIP 2.2K 5% 1/16W (1608)
R507	1-216-805-11	s METAL, CHIP 47 5% 1/16W (1608)
R508	1-216-826-11	s METAL, CHIP 2.7K 5% 1/16W (1608)
R509	1-218-866-11	s METAL, CHIP 6.2K 0.5% 1/16W (1608)
R510	1-216-803-11	s METAL, CHIP 33 5% 1/16W (1608)
R511	1-218-881-11	s METAL, CHIP 27K 0.5% 1/16W (1608)
R512	1-216-805-11	s METAL, CHIP 47 5% 1/16W (1608)
R513	1-216-809-11	s METAL, CHIP 100 5% 1/16W (1608)
R514	1-216-819-11	s METAL, CHIP 680 5% 1/16W (1608)
R515	1-216-811-11	s METAL, CHIP 150 5% 1/16W (1608)
R516	1-216-789-11	s METAL, CHIP 2.2 5% 1/16W (1608)
R517	1-218-668-11	s METAL, CHIP 100 0.5% 1/16W (1608)
R518	1-218-680-11	s METAL, CHIP 330 0.5% 1/16W (1608)
R519	1-216-821-11	s METAL, CHIP 1.0K 5% 1/16W (1608)
R520-522	1-216-809-11	s METAL, CHIP 100 5% 1/16W (1608)
R523	1-216-805-11	s METAL, CHIP 47 5% 1/16W (1608)
R524	1-216-819-11	s METAL, CHIP 680 5% 1/16W (1608)
R525	1-216-821-11	s METAL, CHIP 1.0K 5% 1/16W (1608)
R526	1-218-676-11	s METAL, CHIP 220 0.5% 1/16W (1608)
R527	1-218-688-11	s METAL, CHIP 680 0.5% 1/16W (1608)
R528	1-218-676-11	s METAL, CHIP 220 0.5% 1/16W (1608)
R529	1-216-809-11	s METAL, CHIP 100 5% 1/16W (1608)
R530	1-218-676-11	s METAL, CHIP 220 0.5% 1/16W (1608)
R531	1-218-676-11	s METAL, CHIP 220 0.5% 1/16W (1608)
R532	1-218-680-11	s METAL, CHIP 330 0.5% 1/16W (1608)
R533	1-216-825-11	s METAL, CHIP 2.2K 5% 1/16W (1608)
R534	1-216-815-11	s METAL, CHIP 330 5% 1/16W (1608)
R535	1-218-680-11	s METAL, CHIP 330 0.5% 1/16W (1608)
R536	1-218-881-11	s METAL, CHIP 27K 0.5% 1/16W (1608)
R537	1-218-700-11	s METAL, CHIP 2.2K 0.5% 1/16W (1608)
R538	1-216-809-11	s METAL, CHIP 100 5% 1/16W (1608)
R539	1-216-805-11	s METAL, CHIP 47 5% 1/16W (1608)
R540	1-216-825-11	s METAL, CHIP 2.2K 5% 1/16W (1608)
R541	1-218-842-11	s METAL, CHIP 620 0.5% 1/16W (1608)
R542	1-218-676-11	s METAL, CHIP 220 0.5% 1/16W (1608)
R543	1-218-680-11	s METAL, CHIP 330 0.5% 1/16W (1608)
R544	1-216-805-11	s METAL, CHIP 47 5% 1/16W (1608)
R545	1-216-817-11	s METAL, CHIP 470 5% 1/16W (1608)
R546	1-218-664-11	s METAL, CHIP 68 0.5% 1/16W (1608)
R547	1-218-740-11	s METAL, CHIP 100K 0.5% 1/16W (1608)
R548	1-216-841-11	s METAL, CHIP 47K 5% 1/16W (1608)
R549	1-216-841-11	s METAL, CHIP 47K 5% 1/16W (1608)
R551	1-216-809-11	s METAL, CHIP 100 5% 1/16W (1608)
R552	1-216-821-11	s METAL, CHIP 1.0K 5% 1/16W (1608)
R553	1-216-821-11	s METAL, CHIP 1.0K 5% 1/16W (1608)
R554	1-216-815-11	s METAL, CHIP 330 5% 1/16W (1608)
R555	1-218-700-11	s METAL, CHIP 2.2K 0.5% 1/16W (1608)
R556	1-218-692-11	s METAL, CHIP 1.0K 0.5% 1/16W (1608)
R558	1-218-692-11	s METAL, CHIP 1.0K 0.5% 1/16W (1608)
R562	1-216-819-11	s METAL, CHIP 680 5% 1/16W (1608)
R563	1-216-815-11	s METAL, CHIP 330 5% 1/16W (1608)
R564	1-216-821-11	s METAL, CHIP 1.0K 5% 1/16W (1608)
R565	1-216-805-11	s METAL, CHIP 47 5% 1/16W (1608)
R566	1-216-821-11	s METAL, CHIP 1.0K 5% 1/16W (1608)

Ref. No. or Q'ty	Part No.	SP Description
R567	1-216-821-11	s METAL, CHIP 1.0K 5% 1/16W (1608)
R572	1-218-676-11	s METAL, CHIP 220 0.5% 1/16W (1608)
R573	1-218-676-11	s METAL, CHIP 220 0.5% 1/16W (1608)
R574	1-218-842-11	s METAL, CHIP 620 0.5% 1/16W (1608)
R575	1-216-805-11	s METAL, CHIP 47 5% 1/16W (1608)
R576	1-218-700-11	s METAL, CHIP 2.2K 0.5% 1/16W (1608)
R577	1-216-809-11	s METAL, CHIP 100 5% 1/16W (1608)
R578	1-218-676-11	s METAL, CHIP 220 0.5% 1/16W (1608)
R579	1-218-675-11	s METAL, CHIP 200 0.5% 1/16W (1608)
R580	1-216-817-11	s METAL, CHIP 470 5% 1/16W (1608)
R581	1-218-672-11	s METAL, CHIP 150 0.5% 1/16W (1608)
R582	1-216-817-11	s METAL, CHIP 470 5% 1/16W (1608)
R583	1-216-805-11	s METAL, CHIP 47 5% 1/16W (1608)
R584	1-218-707-11	s METAL, CHIP 4.3K 0.5% 1/16W (1608)
R800	1-216-826-11	s METAL, CHIP 2.7K 5% 1/16W (1608)
R801	1-218-692-11	s METAL, CHIP 1.0K 0.5% 1/16W (1608)
R802	1-218-732-11	s METAL, CHIP 47K 0.5% 1/16W (1608)
R803	1-218-874-11	s METAL, CHIP 13K 0.5% 1/16W (1608)
R804	1-218-867-11	s METAL, CHIP 6.8K 0.5% 1/16W (1608)
R805	1-218-720-11	s METAL, CHIP 15K 0.5% 1/16W (1608)
R806-808	1-216-805-11	s METAL, CHIP 47 5% 1/16W (1608)
R810	1-218-702-11	s METAL, CHIP 2.7K 0.5% 1/16W (1608)
R811-816	1-216-805-11	s METAL, CHIP 47 5% 1/16W (1608)
R817	1-218-874-11	s METAL, CHIP 13K 0.5% 1/16W (1608)
R818	1-216-805-11	s METAL, CHIP 47 5% 1/16W (1608)
R819	1-211-977-11	s METAL, CHIP 22 0.5% 1/16W (1608)
R820	1-218-867-11	s METAL, CHIP 6.8K 0.5% 1/16W (1608)
R821	1-216-819-11	s METAL, CHIP 680 5% 1/16W (1608)
R822	1-216-825-11	s METAL, CHIP 2.2K 5% 1/16W (1608)
R823	1-216-819-11	s METAL, CHIP 680 5% 1/16W (1608)
R824	1-218-874-11	s METAL, CHIP 13K 0.5% 1/16W (1608)
R825	1-218-874-11	s METAL, CHIP 13K 0.5% 1/16W (1608)
R826	1-218-733-11	s METAL, CHIP 51K 0.5% 1/16W (1608)
R827	1-218-867-11	s METAL, CHIP 6.8K 0.5% 1/16W (1608)
R828	1-218-702-11	s METAL, CHIP 2.7K 0.5% 1/16W (1608)
R829	1-218-844-11	s METAL, CHIP 750 0.5% 1/16W (1608)
R830	1-216-825-11	s METAL, CHIP 2.2K 5% 1/16W (1608)
R831	1-218-716-11	s METAL, CHIP 10K 0.5% 1/16W (1608)
R832	1-218-679-91	s METAL, CHIP 300 0.5% 1/16W (1608)
R833	1-218-694-11	s METAL, CHIP 1.2K 0.5% 1/16W (1608)
R834	1-218-663-11	s METAL, CHIP 62 0.5% 1/16W (1608)
R835-837	1-218-716-11	s METAL, CHIP 10K 0.5% 1/16W (1608)
R838	1-216-817-11	s METAL, CHIP 470 5% 1/16W (1608)
R839	1-218-692-11	s METAL, CHIP 1.0K 0.5% 1/16W (1608)
R840	1-218-732-11	s METAL, CHIP 47K 0.5% 1/16W (1608)
R841	1-218-717-11	s METAL, CHIP 11K 0.5% 1/16W (1608)
R842	1-218-867-11	s METAL, CHIP 6.8K 0.5% 1/16W (1608)
R843	1-218-874-11	s METAL, CHIP 13K 0.5% 1/16W (1608)
R844	1-218-702-11	s METAL, CHIP 2.7K 0.5% 1/16W (1608)
R845	1-218-844-11	s METAL, CHIP 750 0.5% 1/16W (1608)
R846	1-218-752-11	s METAL, CHIP 330K 0.5% 1/16W (1608)
R848	1-218-702-11	s METAL, CHIP 2.7K 0.5% 1/16W (1608)
R849	1-218-752-11	s METAL, CHIP 330K 0.5% 1/16W (1608)
R850	1-216-837-11	s METAL, CHIP 22K 5% 1/16W (1608)
R851	1-216-837-11	s METAL, CHIP 22K 5% 1/16W (1608)
R854	1-216-805-11	s METAL, CHIP 47 5% 1/16W (1608)

Ref. No. or Q'ty	Part No.	SP	Description
R855	1-218-874-11	s	METAL, CHIP 13K 0.5% 1/16W (1608)
R856	1-218-714-11	s	METAL, CHIP 8.2K 0.5% 1/16W (1608)
R857	1-211-977-11	s	METAL, CHIP 22 0.5% 1/16W (1608)
R858	1-218-714-11	s	METAL, CHIP 8.2K 0.5% 1/16W (1608)
R859	1-216-819-11	s	METAL, CHIP 680 5% 1/16W (1608)
R860	1-216-825-11	s	METAL, CHIP 2.2K 5% 1/16W (1608)
R861	1-216-819-11	s	METAL, CHIP 680 5% 1/16W (1608)
R862	1-216-805-11	s	METAL, CHIP 47 5% 1/16W (1608)
R863	1-216-837-11	s	METAL, CHIP 22K 5% 1/16W (1608)
R864	1-218-733-11	s	METAL, CHIP 51K 0.5% 1/16W (1608)
R865	1-216-837-11	s	METAL, CHIP 22K 5% 1/16W (1608)
R866	1-218-697-11	s	METAL, CHIP 1.6K 0.5% 1/16W (1608)
R867	1-218-716-11	s	METAL, CHIP 10K 0.5% 1/16W (1608)
R868	1-216-825-11	s	METAL, CHIP 2.2K 5% 1/16W (1608)
R869	1-218-716-11	s	METAL, CHIP 10K 0.5% 1/16W (1608)
R870	1-218-679-91	s	METAL, CHIP 300 0.5% 1/16W (1608)
R871	1-218-694-11	s	METAL, CHIP 1.2K 0.5% 1/16W (1608)
R872	1-218-663-11	s	METAL, CHIP 62 0.5% 1/16W (1608)
R873-875	1-218-716-11	s	METAL, CHIP 10K 0.5% 1/16W (1608)
R876	1-216-817-11	s	METAL, CHIP 470 5% 1/16W (1608)
R877	1-216-805-11	s	METAL, CHIP 47 5% 1/16W (1608)
R878	1-216-805-11	s	METAL, CHIP 47 5% 1/16W (1608)
R879	1-218-716-11	s	METAL, CHIP 10K 0.5% 1/16W (1608)
R880	1-216-837-11	s	METAL, CHIP 22K 5% 1/16W (1608)
R881	1-218-296-11	s	METAL, CHIP 75K 5% 1/16W (1608)
R882	1-218-716-11	s	METAL, CHIP 10K 0.5% 1/16W (1608)
R883	1-218-716-11	s	METAL, CHIP 10K 0.5% 1/16W (1608)
R884	1-216-837-11	s	METAL, CHIP 22K 5% 1/16W (1608)
R885	1-216-817-11	s	METAL, CHIP 470 5% 1/16W (1608)
R886	1-216-817-11	s	METAL, CHIP 470 5% 1/16W (1608)
R887	1-216-837-11	s	METAL, CHIP 22K 5% 1/16W (1608)
R888	1-216-826-11	s	METAL, CHIP 2.7K 5% 1/16W (1608)
R889	1-218-677-11	s	METAL, CHIP 240 0.5% 1/16W (1608)
R890	1-216-837-11	s	METAL, CHIP 22K 5% 1/16W (1608)
R891	1-218-677-11	s	METAL, CHIP 240 0.5% 1/16W (1608)
R892	1-216-829-11	s	METAL, CHIP 4.7K 5% 1/16W (1608)
R893	1-216-850-11	s	METAL, CHIP 270K 5% 1/16W (1608)
R894	1-216-833-11	s	METAL, CHIP 10K 5% 1/16W (1608)
R895	1-218-732-11	s	METAL, CHIP 47K 0.5% 1/16W (1608)
R896	1-218-732-11	s	METAL, CHIP 47K 0.5% 1/16W (1608)
R897	1-218-864-11	s	METAL, CHIP 5.1K 0.5% 1/16W (1608)
R898	1-218-864-11	s	METAL, CHIP 5.1K 0.5% 1/16W (1608)
R899	1-218-695-11	s	METAL, CHIP 1.3K 0.5% 1/16W (1608)
R8001	1-218-296-11	s	METAL, CHIP 75K 5% 1/16W (1608)
R8002	1-216-841-11	s	METAL, CHIP 47K 5% 1/16W (1608)
R8003	1-216-841-11	s	METAL, CHIP 47K 5% 1/16W (1608)
RV401	1-237-031-11	s	RES, ADJ, CERMET 200
RV421	1-237-037-11	s	RES, ADJ, CERMET 20K
RV501	1-237-031-11	s	RES, ADJ, CERMET 200
RV521	1-237-037-11	s	RES, ADJ, CERMET 20K
RV801	1-237-036-11	s	RES, ADJ, CERMET 10K
RV802	1-237-033-11	s	RES, ADJ, CERMET 1K
RV803	1-237-036-11	s	RES, ADJ, CERMET 10K
RV804	1-237-033-11	s	RES, ADJ, CERMET 1K
RY401	1-515-936-21	s	RELAY TF2SA-5V

Ref. No. or Q'ty	Part No.	SP	Description
RY501	1-515-936-21	s	RELAY TF2SA-5V
-----			
HN-181	BOARD		
-----			
Ref. No. or Q'ty	Part No.	SP	Description
1pc	A-8276-781-B	o	MOUNTED CIRCUIT BOARD, HN-181B
2pcs	3-180-854-02	o	COVER, MR SENSOR
C201	1-164-096-11	s	CERAMIC 0.01uF 50V
CN201	1-506-475-11	s	CONNECTOR, 10P, MALE
CN202	1-564-007-11	o	CONNECTOR, 8P, MALE
CN203	1-750-927-11	s	CONNECTOR, B-B 20P, FEMALE
CN204	1-564-214-11	o	CONNECTOR, VH 3P, MALE
CN203	1-564-005-11	o	CONNECTOR, 6P, MALE
CN206	1-750-927-11	s	CONNECTOR, B-B 20P, FEMALE
CN207	1-750-927-11	s	CONNECTOR, B-B 20P, FEMALE
CN208	1-564-009-11	o	CONNECTOR, 10P, MALE
CN209	1-506-472-11	s	CONNECTOR, 7P, MALE
CN211	1-564-002-11	s	CONNECTOR, 3P, MALE
CN212	1-564-242-00	o	CONNECTOR, VH 5P, MALE
CN213	1-506-480-11	s	CONNECTOR, 15P, MALE
CN214	1-750-683-11	s	CONNECTOR, FPC 36P
CN214	1-750-683-11	s	CONNECTOR, FPC 36P
CN216	1-566-764-11	o	CONNECTOR, ZR 9P, MALE
CN217	1-506-468-11	s	CONNECTOR, 3P, MALE
CN218	1-506-469-11	s	CONNECTOR, 4P, MALE
CN219 *2	1-506-702-11	o	CONNECTOR, ILG 3P, MALE

-----  
\*2: Board No. suffix 13 or higher

-----  
 KY-231B BOARD  
 -----

Ref. No. or Q'ty	Part No.	SP	Description
1pc	A-8275-209-A	o	MOUNTED CIRCUIT BOARD, KY-231B (This assembly includes the DP-176B mounted circuit board.)
9pcs	3-668-124-00	o	HOLDER, LED
3pcs	3-704-198-11	o	SUPPORT, PC
C1-7	1-126-795-11	s	ELECT 10uF 20% 50V
C10-17	1-126-795-11	s	ELECT 10uF 20% 50V
C28-32	1-126-795-11	s	ELECT 10uF 20% 50V
C301	1-163-037-11	s	CERAMIC, CHIP 0.022uF 10% 25V
C302	1-163-037-11	s	CERAMIC, CHIP 0.022uF 10% 25V
C303	1-126-795-11	s	ELECT 10uF 20% 50V
C304	1-126-795-11	s	ELECT 10uF 20% 50V
C305	1-124-455-00	s	ELECT 100uF 20% 16V
C306	1-163-037-11	s	CERAMIC, CHIP 0.022uF 10% 25V
C309-312	1-163-257-11	s	CERAMIC, CHIP 180pF 5% 50V (2125)
C313	1-126-795-11	s	ELECT 10uF 20% 50V
C314	1-163-243-11	s	CERAMIC, CHIP 47pF 5% 50V (2125)
C315	1-163-037-11	s	CERAMIC, CHIP 0.022uF 10% 25V
C316	1-163-037-11	s	CERAMIC, CHIP 0.022uF 10% 25V
C317	1-124-455-00	s	ELECT 100uF 20% 16V
C318	1-124-455-00	s	ELECT 100uF 20% 16V
CN590	1-751-356-11	s	CABLE, FLAT 16P (KEY CONT)
CN591	1-537-565-12	o	WIRE, JUMPER (HIGH WINDING) 23P
CN592	1-506-489-11	s	CONNECTOR, 10P, MALE
D1	6-500-689-01	s	DIODE TLGU13DP
D6	8-719-939-39	s	LED GL5HD8, RED
D7	6-500-689-01	s	DIODE TLGU13DP
D8	8-719-939-39	s	LED GL5HD8, RED
D9-12	6-500-689-01	s	DIODE TLGU13DP
D14	6-500-689-01	s	DIODE TLGU13DP
D16-18	8-719-041-80	s	LED TLG255A, GRN
D201-204	8-719-024-81	s	DIODE 1SS300
D206	8-719-024-81	s	DIODE 1SS300
D207	8-719-024-81	s	DIODE 1SS300
D209-211	8-719-024-81	s	DIODE 1SS300
D217-222	8-719-024-81	s	DIODE 1SS300
D301	8-719-024-81	s	DIODE 1SS300
IC1	8-759-250-09	s	IC UPD78212CW-618
IC2	8-759-052-52	s	IC L78M05T-FA
IC3	8-759-500-43	s	IC CXD8117P
IC4	8-759-479-32	s	IC SN75C1168NS (E05)
IC5	8-759-586-01	s	IC TD62003P (J, S)
IC6	8-759-586-01	s	IC TD62003P (J, S)
IC8	8-759-175-95	s	IC CXD8812Q
IC9	8-759-600-34	s	IC M54532P
Q1	8-729-900-51	s	TRANSISTOR DTA114TK
Q2	8-729-117-32	s	TRANSISTOR 2SC4177-L6
Q3	8-729-900-51	s	TRANSISTOR DTA114TK
Q4	8-729-117-32	s	TRANSISTOR 2SC4177-L6
Q5	8-729-900-51	s	TRANSISTOR DTA114TK
Q6	8-729-117-32	s	TRANSISTOR 2SC4177-L6
Q7	8-729-900-51	s	TRANSISTOR DTA114TK
Q8	8-729-117-32	s	TRANSISTOR 2SC4177-L6
Q9	8-729-900-51	s	TRANSISTOR DTA114TK
Q10	8-729-117-32	s	TRANSISTOR 2SC4177-L6

(KY-231B BOARD)

Ref. No. or Q'ty	Part No.	SP	Description
Q11	8-729-900-51	s	TRANSISTOR DTA114TK
Q12	8-729-117-32	s	TRANSISTOR 2SC4177-L6
Q13	8-729-900-51	s	TRANSISTOR DTA114TK
Q14	8-729-117-32	s	TRANSISTOR 2SC4177-L6
Q19	8-729-900-51	s	TRANSISTOR DTA114TK
Q20	8-729-117-32	s	TRANSISTOR 2SC4177-L6
Q21	8-729-900-51	s	TRANSISTOR DTA114TK
Q22	8-729-117-32	s	TRANSISTOR 2SC4177-L6
Q23	8-729-900-51	s	TRANSISTOR DTA114TK
Q24	8-729-117-32	s	TRANSISTOR 2SC4177-L6
Q25	8-729-900-51	s	TRANSISTOR DTA114TK
Q26	8-729-117-32	s	TRANSISTOR 2SC4177-L6
Q27	8-729-900-51	s	TRANSISTOR DTA114TK
Q28	8-729-117-32	s	TRANSISTOR 2SC4177-L6
Q31	8-729-900-51	s	TRANSISTOR DTA114TK
Q32	8-729-117-32	s	TRANSISTOR 2SC4177-L6
Q33	8-729-900-51	s	TRANSISTOR DTA114TK
Q34	8-729-117-32	s	TRANSISTOR 2SC4177-L6
Q55	8-729-900-51	s	TRANSISTOR DTA114TK
Q56	8-729-117-32	s	TRANSISTOR 2SC4177-L6
Q57	8-729-900-51	s	TRANSISTOR DTA114TK
Q58	8-729-117-32	s	TRANSISTOR 2SC4177-L6
Q59	8-729-900-51	s	TRANSISTOR DTA114TK
Q60	8-729-117-32	s	TRANSISTOR 2SC4177-L6
Q61	8-729-900-51	s	TRANSISTOR DTA114TK
Q62	8-729-117-32	s	TRANSISTOR 2SC4177-L6
Q63	8-729-900-51	s	TRANSISTOR DTA114TK
Q64	8-729-117-32	s	TRANSISTOR 2SC4177-L6
Q65-72	8-729-924-56	s	TRANSISTOR DTC123JU
Q73-80	8-729-140-63	s	TRANSISTOR 2SA1611-M5M6
Q151-157	8-729-924-56	s	TRANSISTOR DTC123JU
Q158-164	8-729-140-63	s	TRANSISTOR 2SA1611-M5M6
Q201-206	8-729-923-62	s	TRANSISTOR DTA123JK
Q301,302	8-729-117-32	s	TRANSISTOR 2SC4177-L6
R1,2	1-216-057-00	s	METAL, CHIP 2.2K 5% 1/10W (2125)
R3	*5 1-218-780-11	s	METAL, CHIP 270 5% 1/4W (3225)
	*3 1-216-027-00	s	METAL, CHIP 120 5% 1/10W (2125)
R4,5	1-216-057-00	s	METAL, CHIP 2.2K 5% 1/10W (2125)
R6	*5 1-218-780-11	s	METAL, CHIP 270 5% 1/4W (3225)
	*3 1-216-027-00	s	METAL, CHIP 120 5% 1/10W (2125)
R7,8	1-216-057-00	s	METAL, CHIP 2.2K 5% 1/10W (2125)
R9	*5 1-218-478-11	s	METAL, CHIP 330 5% 1/4W (3225)
	*3 1-216-027-00	s	METAL, CHIP 120 5% 1/10W (2125)
R10,11	1-216-057-00	s	METAL, CHIP 2.2K 5% 1/10W (2125)
R12	*5 1-218-478-11	s	METAL, CHIP 330 5% 1/4W (3225)
	*3 1-216-027-00	s	METAL, CHIP 120 5% 1/10W (2125)
R13,14	1-216-057-00	s	METAL, CHIP 2.2K 5% 1/10W (2125)
R15	*5 1-218-478-11	s	METAL, CHIP 330 5% 1/4W (3225)
	*3 1-216-027-00	s	METAL, CHIP 120 5% 1/10W (2125)
R16,17	1-216-057-00	s	METAL, CHIP 2.2K 5% 1/10W (2125)
R18	1-218-780-11	s	METAL, CHIP 270 5% 1/4W (3225)
R19,20	1-216-057-00	s	METAL, CHIP 2.2K 5% 1/10W (2125)
R21	*5 1-218-478-11	s	METAL, CHIP 330 5% 1/4W (3225)
	*3 1-216-027-00	s	METAL, CHIP 120 5% 1/10W (2125)

-----  
 \*3: Board No. suffix 21 or 22  
 \*5: Board No. suffix 23 or higher

## (KY-231B BOARD)

Ref. No. or Q'ty	Part No.	SP	Description
R28,29	1-216-057-00	s	METAL, CHIP 2.2K 5% 1/10W (2125)
R30	*5 1-220-260-11	s	METAL, CHIP 390 5% 1/4W (3225)
	*3 1-218-476-11	s	METAL, CHIP 180 5% 1/4W (3225)
R31,32	1-216-057-00	s	METAL, CHIP 2.2K 5% 1/10W (2125)
R33	*5 1-220-260-11	s	METAL, CHIP 390 5% 1/4W (3225)
	*3 1-218-476-11	s	METAL, CHIP 180 5% 1/4W (3225)
R34,35	1-216-057-00	s	METAL, CHIP 2.2K 5% 1/10W (2125)
R36	*5 1-220-260-11	s	METAL, CHIP 390 5% 1/4W (3225)
	*3 1-218-476-11	s	METAL, CHIP 180 5% 1/4W (3225)
R37,38	1-216-057-00	s	METAL, CHIP 2.2K 5% 1/10W (2125)
R39	*5 1-218-478-11	s	METAL, CHIP 330 5% 1/4W (3225)
	*3 1-216-027-00	s	METAL, CHIP 120 5% 1/10W (2125)
R40,41	1-216-057-00	s	METAL, CHIP 2.2K 5% 1/10W (2125)
R42	*5 1-218-478-11	s	METAL, CHIP 330 5% 1/4W (3225)
	*3 1-216-027-00	s	METAL, CHIP 120 5% 1/10W (2125)
R46,47	1-216-057-00	s	METAL, CHIP 2.2K 5% 1/10W (2125)
R48	*5 1-218-478-11	s	METAL, CHIP 330 5% 1/4W (3225)
	*3 1-216-027-00	s	METAL, CHIP 120 5% 1/10W (2125)
R49,50	1-216-057-00	s	METAL, CHIP 2.2K 5% 1/10W (2125)
R51	*5 1-220-260-11	s	METAL, CHIP 390 5% 1/4W (3225)
	*3 1-218-476-11	s	METAL, CHIP 180 5% 1/4W (3225)
R82,83	1-216-057-00	s	METAL, CHIP 2.2K 5% 1/10W (2125)
R84	*5 1-220-260-11	s	METAL, CHIP 390 5% 1/4W (3225)
	*3 1-218-476-11	s	METAL, CHIP 180 5% 1/4W (3225)
R85,86	1-216-057-00	s	METAL, CHIP 2.2K 5% 1/10W (2125)
R87	*5 1-220-260-11	s	METAL, CHIP 390 5% 1/4W (3225)
	*3 1-218-476-11	s	METAL, CHIP 180 5% 1/4W (3225)
R88,89	1-216-057-00	s	METAL, CHIP 2.2K 5% 1/10W (2125)
R90	*5 1-220-260-11	s	METAL, CHIP 390 5% 1/4W (3225)
	*3 1-218-476-11	s	METAL, CHIP 180 5% 1/4W (3225)
R91,92	1-216-057-00	s	METAL, CHIP 2.2K 5% 1/10W (2125)
R93	*5 1-220-260-11	s	METAL, CHIP 390 5% 1/4W (3225)
	*3 1-218-476-11	s	METAL, CHIP 180 5% 1/4W (3225)
R94,95	1-216-057-00	s	METAL, CHIP 2.2K 5% 1/10W (2125)
R96	*5 1-220-260-11	s	METAL, CHIP 390 5% 1/4W (3225)
	*3 1-218-476-11	s	METAL, CHIP 180 5% 1/4W (3225)
R97-118	1-216-057-00	s	METAL, CHIP 2.2K 5% 1/10W (2125)
R123-129	1-216-027-00	s	METAL, CHIP 120 5% 1/10W (2125)
R131	1-216-027-00	s	METAL, CHIP 120 5% 1/10W (2125)
R151-164	1-216-049-00	s	METAL, CHIP 1.0K 5% 1/10W (2125)
R165-171	1-220-259-11	s	METAL, CHIP 150 5% 1/4W (3225)
R173-175	1-216-019-00	s	METAL, CHIP 56 5% 1/10W (2125)
R201-208	1-216-073-00	s	METAL, CHIP 10K 5% 1/10W (2125)
R302-304	1-216-073-00	s	METAL, CHIP 10K 5% 1/10W (2125)
R305-309	1-216-049-00	s	METAL, CHIP 1.0K 5% 1/10W (2125)
R310-314	1-216-073-00	s	METAL, CHIP 10K 5% 1/10W (2125)
R315	1-216-085-00	s	METAL, CHIP 33K 5% 1/10W (2125)
R316	1-216-069-00	s	METAL, CHIP 6.8K 5% 1/10W (2125)
R317	1-216-073-00	s	METAL, CHIP 10K 5% 1/10W (2125)
R318	1-216-049-00	s	METAL, CHIP 1.0K 5% 1/10W (2125)
R319	1-216-067-00	s	METAL, CHIP 5.6K 5% 1/10W (2125)
R320	1-216-049-00	s	METAL, CHIP 1.0K 5% 1/10W (2125)

-----  
 \*1: Board No. suffix 21 only  
 \*3: Board No. suffix 21 or 22

## (KY-231B BOARD)

Ref. No. or Q'ty	Part No.	SP	Description
R321	1-216-017-00	s	METAL, CHIP 47 5% 1/10W (2125)
R322	1-216-049-00	s	METAL, CHIP 1.0K 5% 1/10W (2125)
R323	1-216-073-00	s	METAL, CHIP 10K 5% 1/10W (2125)
R324	1-216-073-00	s	METAL, CHIP 10K 5% 1/10W (2125)
R325	1-216-025-00	s	METAL, CHIP 100 5% 1/10W (2125)
R326	1-216-077-00	s	METAL, CHIP 15K 5% 1/10W (2125)
R327	1-216-077-00	s	METAL, CHIP 15K 5% 1/10W (2125)
R328	1-216-097-00	s	METAL, CHIP 100K 5% 1/10W (2125)
R329	1-216-097-00	s	METAL, CHIP 100K 5% 1/10W (2125)
R331	*4 1-216-073-00	s	METAL, CHIP 10K 5% 1/10W (2125)
	*1 1-249-429-11	s	CARBON 10K 5% 1/4W
R332	*4 1-216-073-00	s	METAL, CHIP 10K 5% 1/10W (2125)
	*1 1-249-429-11	s	CARBON 10K 5% 1/4W
R333	*4 1-216-073-00	s	METAL, CHIP 10K 5% 1/10W (2125)
S1	*5 1-692-892-11	s	SWITCH, PUSH (WITH LED)
	*3 1-692-609-11	s	SWITCH, PUSH (WITH LED)
S2	*5 1-692-892-21	s	SWITCH, PUSH (WITH LED)
	*3 1-692-609-21	s	SWITCH, PUSH (WITH LED)
S3	*5 1-692-890-41	s	SWITCH, PUSH (WITH LED)
	*3 1-692-612-41	s	SWITCH, PUSH (WITH LED)
S4	*5 1-692-890-31	s	SWITCH, PUSH (WITH LED)
	*3 1-692-612-31	s	SWITCH, PUSH (WITH LED)
S5	*5 1-692-890-21	s	SWITCH, PUSH (WITH LED)
	*3 1-692-612-21	s	SWITCH, PUSH (WITH LED)
S6	*5 1-692-890-11	s	SWITCH, PUSH (WITH LED)
	*3 1-692-612-11	s	SWITCH, PUSH (WITH LED)
S9-11	*5 1-692-994-11	s	SWITCH, PUSH (WITH LED)
	*3 1-692-637-11	s	SWITCH, PUSH (WITH LED)
S12,13	*5 1-692-890-11	s	SWITCH, PUSH (WITH LED)
	*3 1-692-612-11	s	SWITCH, PUSH (WITH LED)
S15	*5 1-692-890-11	s	SWITCH, PUSH (WITH LED)
	*3 1-692-612-11	s	SWITCH, PUSH (WITH LED)
S16	*5 1-692-994-11	s	SWITCH, PUSH (WITH LED)
	*3 1-692-637-11	s	SWITCH, PUSH (WITH LED)
S27-31	*5 1-692-994-11	s	SWITCH, PUSH (WITH LED)
	*3 1-692-637-11	s	SWITCH, PUSH (WITH LED)
S204-209	1-692-538-11	s	SWITCH, PUSH
S211,212	1-692-538-11	s	SWITCH, PUSH
X301	1-579-929-11	s	RESONATOR, CERAMIC 9.83 MHz

-----  
 \*4: Board No. suffix 22 or higher  
 \*5: Board No. suffix 23 or higher

-----  
 LED-200 BOARD for DVW-CA510P  
 -----

Ref. No. or Q'ty	Part No.	SP Description
1pc	A-8276-814-A	o MOUNTED CIRCUIT BOARD, LED-200
CN1	1-506-482-11	s CONNECTOR, 3P, MALE
D1	8-719-939-39	s LED GL5HD8, RED
D2	8-719-939-39	s LED GL5HD8, RED
D3	8-719-939-39	s LED GL5HD8, RED
D4	8-719-939-39	s LED GL5HD8, RED
D5	8-719-939-39	s LED GL5HD8, RED
D6	8-719-939-39	s LED GL5HD8, RED
D7	8-719-939-39	s LED GL5HD8, RED
D8	8-719-939-39	s LED GL5HD8, RED
D9	8-719-939-39	s LED GL5HD8, RED
D10	8-719-939-39	s LED GL5HD8, RED
D11	8-719-939-39	s LED GL5HD8, RED
D12	8-719-939-39	s LED GL5HD8, RED
R1	1-260-095-11	s CARBON 470 5% 1/2W
R2	1-260-095-11	s CARBON 470 5% 1/2W
R3	1-260-095-11	s CARBON 470 5% 1/2W
R4	1-260-095-11	s CARBON 470 5% 1/2W
R5	1-260-095-11	s CARBON 470 5% 1/2W
R6	1-260-095-11	s CARBON 470 5% 1/2W

-----  
 MB-441 BOARD  
 -----

Ref. No. or Q'ty	Part No.	SP Description
1pc	A-8276-782-A	o MOUNTED CIRCUIT BOARD, MB-441BA (For DVW-A510P/CA510P)
	A-8276-783-A	o MOUNTED CIRCUIT BOARD, MB-441B (For DVW-510P)
10pcs	7-682-648-09	s SCREW +PS 3x8
40pcs	7-685-865-01	s SCREW +BVTT 2.6x12 (S) (For DVW-A510P/CA510P)
32pcs	7-685-865-01	s SCREW +BVTT 2.6x12 (S) (For DVW-510P)
C100	1-126-940-11	s ELECT 330uF 20% 25V
C101	1-126-948-11	s ELECT 100uF 20% 35V
C102	1-126-948-11	s ELECT 100uF 20% 35V
CN101	*A 1-750-831-11	s CONNECTOR, PHEC 120P, FEMALE
CN102	*A 1-750-831-11	s CONNECTOR, PHEC 120P, FEMALE
CN103	*A 1-750-831-11	s CONNECTOR, PHEC 120P, FEMALE
CN104	*A 1-750-831-11	s CONNECTOR, PHEC 120P, FEMALE
CN105	1-750-831-11	s CONNECTOR, PHEC 120P, FEMALE
CN106	1-750-831-11	s CONNECTOR, PHEC 120P, FEMALE
CN110	1-573-598-11	s CONNECTOR, PHEC 100P, FEMALE
CN112-124	1-573-598-11	s CONNECTOR, PHEC 100P, FEMALE
CN130	1-563-772-11	o CONNECTOR, D-SUB 25P, FEMALE
CN131	1-764-102-11	s CONNECTOR, D-SUB 15P, MALE
CN132	1-563-770-11	s CONNECTOR, D-SUB 9P, FEMALE
CN133	1-563-770-11	s CONNECTOR, D-SUB 9P, FEMALE
CN134	1-563-771-11	s CONNECTOR, D-SUB 15P, FEMALE
CN135	1-506-493-11	s CONNECTOR, 14P, MALE
CN136	1-506-487-11	s CONNECTOR, 8P, MALE
CN137	1-751-358-11	s CABLE, FLAT 34P (AES/EBU)
CN138	1-506-470-11	s CONNECTOR, 5P, MALE
CN140	1-506-485-11	s CONNECTOR, 6P, MALE
CN143	1-506-491-11	s CONNECTOR, 12P, MALE
CN144	1-506-486-11	s CONNECTOR, 7P, MALE
CN145	1-506-487-11	s CONNECTOR, 8P, MALE
CN146	1-751-357-11	s CABLE, FLAT 60P (SV CONT)
CN147	1-751-352-11	s CABLE, FLAT 40P (FP CONT)
CN148	1-568-093-11	s CONNECTOR, HINGE 20P, MALE
CN149	1-506-475-11	s CONNECTOR, 10P, MALE
CN150	1-560-356-00	o CONNECTOR, ILG 2P, MALE
CN151	1-506-599-11	o CONNECTOR, VH 10P, MALE
CN152	1-564-674-11	o CONNECTOR, VH 8P, MALE
CN153	1-564-241-11	o CONNECTOR, VH 4P, MALE
CN154	1-564-005-11	o CONNECTOR, 6P, MALE
CN155	1-506-468-11	s CONNECTOR, 3P, MALE
CN156	1-564-002-11	s CONNECTOR, 3P, MALE
CN160	*A 1-564-014-11	s CONNECTOR, 4P, MALE
CN161	*A 1-564-014-11	s CONNECTOR, 4P, MALE
FB1-21*1	1-412-694-11	s INDUCTOR, BEED
R100	1-215-910-00	s METAL 68 5% 3W
R101	1-215-864-00	s METAL 150 5% 1W

-----  
 \*A: For DVW-A510P/CA510P only  
 \*1: Board No. suffix 12 or higher

-----  
 SE-225 BOARD for DVW-CA510P  
 -----

Ref. No. or Q'ty	Part No.	SP Description
2pc	1-650-567-11	o PRINTED CIRCUIT BOARD, SE-225
PH1	8-719-941-80	s PHOTO-INTERRUPTER GP-1S53

-----  
 SE-226 BOARD for DVW-CA510P  
 -----

Ref. No. or Q'ty	Part No.	SP Description
1pc	1-650-568-11	o PRINTED CIRCUIT BOARD, SE-226
PH1	8-719-941-80	s PHOTO-INTERRUPTER GP-1S53

-----  
 SE-237 BOARD for DVW-CA510P  
 -----

Ref. No. or Q'ty	Part No.	SP Description
3pc	1-654-100-11	o PRINTED CIRCUIT BOARD, SE-237
PH1	8-719-941-80	s PHOTO-INTERRUPTER GP-1S53

-----  
 SS-52B BOARD for DVW-A510P/CA510P  
 -----

Ref. No. or Q'ty	Part No.	SP Description
1pc	A-8275-344-A	o MOUNTED CIRCUIT BOARD, SS-52BAP
1pc	1-526-660-21	o SOCKET, IC (DP) 32P (For IC12)
1pc	*2 1-526-660-21	o SOCKET, IC (DP) 32P (For IC54)
	*1 1-526-659-00	o SOCKET, IC (DP) 28P (For IC54)

1pc	1-526-659-00	o SOCKET, IC (DP) 28P (For IC211)
1pc	1-526-662-21	o SOCKET, IC (DP) 40P (For IC761)
1pc	3-171-453-03	o PLATE (L), SHIELD, CARD
1pc	3-171-454-02	o SHEET (L), CARD
1pc	3-179-084-01	s LEVER (R), PC BOARD

1pc	3-179-085-01	s LEVER (L), PC BOARD
1pc	7-682-902-11	s SCREW +PWH 2.6x5

C100-103	1-163-037-11	s CERAMIC, CHIP 0.022uF 10% 25V (2125)
C105	1-163-037-11	s CERAMIC, CHIP 0.022uF 10% 25V (2125)
C106	1-163-037-11	s CERAMIC, CHIP 0.022uF 10% 25V (2125)
C108-113	1-163-037-11	s CERAMIC, CHIP 0.022uF 10% 25V (2125)
C114	1-135-076-21	s TANTALUM, CHIP 1.0uF 10% 35V

C115	1-163-037-11	s CERAMIC, CHIP 0.022uF 10% 25V (2125)
C200-211	1-163-037-11	s CERAMIC, CHIP 0.022uF 10% 25V (2125)
C213	1-163-037-11	s CERAMIC, CHIP 0.022uF 10% 25V (2125)
C215-218	1-126-947-11	s ELECT 47uF 20% 35V
C219	1-163-037-11	s CERAMIC, CHIP 0.022uF 10% 25V (2125)

C300-308	1-163-037-11	s CERAMIC, CHIP 0.022uF 10% 25V (2125)
C309	1-164-232-11	s CERAMIC, CHIP 0.01uF 10% 100V (2125)
C310	1-126-795-11	s ELECT 10uF 20% 50V
C311-314	1-163-037-11	s CERAMIC, CHIP 0.022uF 10% 25V (2125)
C400-403	1-163-037-11	s CERAMIC, CHIP 0.022uF 10% 25V (2125)

C406	1-163-037-11	s CERAMIC, CHIP 0.022uF 10% 25V (2125)
C500	1-163-235-11	s CERAMIC, CHIP 22pF 5% 50V (2125)
C501	1-163-235-11	s CERAMIC, CHIP 22pF 5% 50V (2125)
C502	1-163-037-11	s CERAMIC, CHIP 0.022uF 10% 25V (2125)
C503	1-163-235-11	s CERAMIC, CHIP 22pF 5% 50V (2125)

C504	1-163-037-11	s CERAMIC, CHIP 0.022uF 10% 25V (2125)
C505	1-126-947-11	s ELECT 47uF 20% 35V
C506	1-163-235-11	s CERAMIC, CHIP 22pF 5% 50V (2125)
C507	*b 1-126-382-11	s ELECT 100uF 20% 16V
	*a 1-126-934-11	s ELECT 220uF 20% 16V
C509-512	1-163-037-11	s CERAMIC, CHIP 0.022uF 10% 25V (2125)

C600	1-163-037-11	s CERAMIC, CHIP 0.022uF 10% 25V (2125)
C601	1-164-232-11	s CERAMIC, CHIP 0.01uF 10% 100V (2125)
C604-607	1-163-227-11	s CERAMIC, CHIP 10pF 5% 50V (2125)
C608	1-163-037-11	s CERAMIC, CHIP 0.022uF 10% 25V (2125)
C610-614	1-163-037-11	s CERAMIC, CHIP 0.022uF 10% 25V (2125)

C700	1-163-037-11	s CERAMIC, CHIP 0.022uF 10% 25V (2125)
C701	1-163-809-11	s CERAMIC, CHIP 0.047uF 10% 25V (2125)
C702-704	1-163-037-11	s CERAMIC, CHIP 0.022uF 10% 25V (2125)
C705	1-124-903-11	s ELECT 1.0uF 20% 50V
C706	1-126-947-11	s ELECT 47uF 20% 35V

C707	1-126-947-11	s ELECT 47uF 20% 35V
C708-710	1-163-037-11	s CERAMIC, CHIP 0.022uF 10% 25V (2125)
C711	1-163-809-11	s CERAMIC, CHIP 0.047uF 10% 25V (2125)
C712	1-126-933-11	s ELECT 100uF 20% 16V
C713	1-163-037-11	s CERAMIC, CHIP 0.022uF 10% 25V (2125)

C714	1-163-037-11	s CERAMIC, CHIP 0.022uF 10% 25V (2125)
C715	1-126-933-11	s ELECT 100uF 20% 16V
C716	1-126-933-11	s ELECT 100uF 20% 16V
C717	1-126-947-11	s ELECT 47uF 20% 35V
C718	1-126-947-11	s ELECT 47uF 20% 35V

-----  
 \*1: Board No. suffix 31 only  
 \*2: Board No. suffix 32 or higher  
 \*a: LOT No. 302 through 0C4  
 \*b: LOT No. 111 or higher

Ref. No. or Q'ty	Part No.	SP Description
C719	1-126-933-11	s ELECT 100uF 20% 16V
C720	1-163-251-11	s CERAMIC, CHIP 100pF 5% 50V (2125)
C721	1-163-251-11	s CERAMIC, CHIP 100pF 5% 50V (2125)
C722	1-163-037-11	s CERAMIC, CHIP 0.022uF 10% 25V
C723	1-163-251-11	s CERAMIC, CHIP 100pF 5% 50V (2125)
C724	1-163-251-11	s CERAMIC, CHIP 100pF 5% 50V (2125)
C725	1-163-091-00	s CERAMIC, CHIP 8pF 50V (2125)
C726	1-163-091-00	s CERAMIC, CHIP 8pF 50V (2125)
C727-739	1-163-037-11	s CERAMIC, CHIP 0.022uF 10% 25V
C740	1-135-177-21	s TANTALUM, CHIP 1.0uF 10% 25V
C741-743	1-163-037-11	s CERAMIC, CHIP 0.022uF 10% 25V
C744	1-163-809-11	s CERAMIC, CHIP 0.047uF 10% 25V
C745-748	1-163-037-11	s CERAMIC, CHIP 0.022uF 10% 25V
C749	1-124-903-11	s ELECT 1.0uF 20% 50V
C750	1-163-809-11	s CERAMIC, CHIP 0.047uF 10% 25V
C751	1-124-903-11	s ELECT 1.0uF 20% 50V
C752	1-135-177-21	s TANTALUM, CHIP 1.0uF 10% 25V
C800-803	1-163-275-11	s CERAMIC, CHIP 1000pF 5% 50V
C804	1-163-037-11	s CERAMIC, CHIP 0.022uF 10% 25V
C805	1-163-017-00	s CERAMIC, CHIP 4700pF 10% 50V
C806	1-163-227-11	s CERAMIC, CHIP 10pF 5% 50V (2125)
C807	1-163-227-11	s CERAMIC, CHIP 10pF 5% 50V (2125)
C808	1-163-037-11	s CERAMIC, CHIP 0.022uF 10% 25V
C809	1-164-232-11	s CERAMIC, CHIP 0.01uF 10% 100V
C810-831	1-163-037-11	s CERAMIC, CHIP 0.022uF 10% 25V
C832	1-164-232-11	s CERAMIC, CHIP 0.01uF 10% 100V
C833	1-164-232-11	s CERAMIC, CHIP 0.01uF 10% 100V
C834	1-163-275-11	s CERAMIC, CHIP 1000pF 5% 50V
C835	1-163-037-11	s CERAMIC, CHIP 0.022uF 10% 25V
C836	1-124-925-11	s ELECT 2.2uF 20% 100V
C837	1-124-925-11	s ELECT 2.2uF 20% 100V
C838	1-163-275-11	s CERAMIC, CHIP 1000pF 5% 50V (2125)
C839	1-163-037-11	s CERAMIC, CHIP 0.022uF 10% 25V
C840	1-163-037-11	s CERAMIC, CHIP 0.022uF 10% 25V
C841	1-164-004-11	s CERAMIC, CHIP 0.1uF 10% 25V
C842	1-164-004-11	s CERAMIC, CHIP 0.1uF 10% 25V
C843	1-163-275-11	s CERAMIC, CHIP 1000pF 5% 50V
C844	1-163-017-00	s CERAMIC, CHIP 4700pF 10% 50V
C845-850	1-163-037-11	s CERAMIC, CHIP 0.022uF 10% 25V
C901	1-163-037-11	s CERAMIC, CHIP 0.022uF 10% 25V
C1000	1-163-037-11	s CERAMIC, CHIP 0.022uF 10% 25V
C1100 *	1-163-037-11	s CERAMIC, CHIP 0.022uF 10% 25V
C1101 *	1-163-241-11	s CERAMIC, CHIP 39pF 5% 50V (2125))
C1102 *	1-163-241-11	s CERAMIC, CHIP 39pF 5% 50V (2125)
C1103 *	1-163-037-11	s CERAMIC, CHIP 0.022uF 10% 25V
C1104 *	1-163-037-11	s CERAMIC, CHIP 0.022uF 10% 25V
C1105 *	1-163-037-11	s CERAMIC, CHIP 0.022uF 10% 25V
C1119 *	1-163-243-11	s CERAMIC, CHIP 47pF 5% 50V (2125)
C1121 *	1-163-251-11	s CERAMIC, CHIP 100pF 5% 50V
C1134 *	1-163-016-00	s CERAMIC, CHIP 3900pF 10% 50V
C1137 *	1-163-251-11	s CERAMIC, CHIP 100pF 5% 50V (2125)
C1140 *	1-163-037-11	s CERAMIC, CHIP 0.022uF 10% 25V
C1142 *	1-163-037-11	s CERAMIC, CHIP 0.022uF 10% 25V
C1143 *	1-163-275-11	s CERAMIC, CHIP 1000pF 5% 50V
C1144 *	1-163-275-11	s CERAMIC, CHIP 1000pF 5% 50V
C1145 *	1-163-275-11	s CERAMIC, CHIP 1000pF 5% 50V

Ref. No. or Q'ty	Part No.	SP Description
C1146 *	1-163-037-11	s CERAMIC, CHIP 0.022uF 10% 25V (2125)
C1147 *	1-163-275-11	s CERAMIC, CHIP 1000pF 5% 50V (2125)
C1148 *	1-163-037-11	s CERAMIC, CHIP 0.022uF 10% 25V (2125)
C1149 *	1-163-275-11	s CERAMIC, CHIP 1000pF 5% 50V (2125)
C1150 *	1-163-275-11	s CERAMIC, CHIP 1000pF 5% 50V (2125)
C1151 *	1-163-135-00	s CERAMIC, CHIP 560pF 5% 50V (2125)
C1154 *	1-163-037-11	s CERAMIC, CHIP 0.022uF 10% 25V (2125)
C1161 *	1-126-933-11	s ELECT 100uF 20% 16V
C1162 *	1-126-933-11	s ELECT 100uF 20% 16V
C1163 *	1-163-037-11	s CERAMIC, CHIP 0.022uF 10% 25V (2125)
C1164 *	1-163-037-11	s CERAMIC, CHIP 0.022uF 10% 25V (2125)
C1165 *	1-164-004-11	s CERAMIC, CHIP 0.1uF 10% 25V (2125)
C1166 *	1-164-004-11	s CERAMIC, CHIP 0.1uF 10% 25V (2125)
C1167 *	1-164-232-11	s CERAMIC, CHIP 0.01uF 10% 100V (2125)
C1168 *	1-164-232-11	s CERAMIC, CHIP 0.01uF 10% 100V (2125)
C1169 *	1-126-933-11	s ELECT 100uF 20% 16V
C1170 *	1-126-933-11	s ELECT 100uF 20% 16V
C1171 *	1-163-037-11	s CERAMIC, CHIP 0.022uF 10% 25V (2125)
C1172 *	1-163-037-11	s CERAMIC, CHIP 0.022uF 10% 25V (2125)
C1177 *	1-163-037-11	s CERAMIC, CHIP 0.022uF 10% 25V (2125)
C1178 *	1-163-037-11	s CERAMIC, CHIP 0.022uF 10% 25V (2125)
C2100	1-164-232-11	s CERAMIC, CHIP 0.01uF 10% 100V (2125)
C2101	1-164-232-11	s CERAMIC, CHIP 0.01uF 10% 100V (2125)
C2102	1-163-251-11	s CERAMIC, CHIP 100pF 5% 50V (2125))
C2103	1-163-251-11	s CERAMIC, CHIP 100pF 5% 50V (2125))
C2104-2109	1-164-232-11	s CERAMIC, CHIP 0.01uF 10% 100V (2125)
C2110	1-126-933-11	s ELECT 100uF 20% 16V
C2111	1-164-232-11	s CERAMIC, CHIP 0.01uF 10% 100V (2125)
C2112	1-163-989-11	s CERAMIC, CHIP 0.033uF 10% 25V (2125)
C2113-2119	1-164-232-11	s CERAMIC, CHIP 0.01uF 10% 100V (2125)
C2121	1-164-232-11	s CERAMIC, CHIP 0.01uF 10% 100V (2125)
C2124	1-164-232-11	s CERAMIC, CHIP 0.01uF 10% 100V (2125)
C2125	1-163-227-11	s CERAMIC, CHIP 10pF 5% 50V (2125)
C2126	1-163-227-11	s CERAMIC, CHIP 10pF 5% 50V (2125)
C2127-2130	1-164-232-11	s CERAMIC, CHIP 0.01uF 10% 100V (2125)
C2133-2136	1-164-232-11	s CERAMIC, CHIP 0.01uF 10% 100V (2125)
C2140	1-164-232-11	s CERAMIC, CHIP 0.01uF 10% 100V (2125)
C2141	1-164-232-11	s CERAMIC, CHIP 0.01uF 10% 100V (2125)
C2142	1-164-232-11	s CERAMIC, CHIP 0.01uF 10% 100V (2125)
C2200	1-163-227-11	s CERAMIC, CHIP 10pF 5% 50V (2125))
C2201	1-163-227-11	s CERAMIC, CHIP 10pF 5% 50V (2125)
C2202-2210	1-164-232-11	s CERAMIC, CHIP 0.01uF 10% 100V (2125)
C2211	1-124-902-00	s ELECT 4.7uF 20% 50V
C2212	1-164-232-11	s CERAMIC, CHIP 0.01uF 10% 100V (2125)
C2213	1-163-227-11	s CERAMIC, CHIP 10pF 5% 50V (2125)
C2214-2217	1-164-232-11	s CERAMIC, CHIP 0.01uF 10% 100V (2125)
C2300	1-164-004-11	s CERAMIC, CHIP 0.1uF 10% 25V (2125)
C2301	1-163-275-11	s CERAMIC, CHIP 1000pF 5% 50V (2125)
C2302	1-163-275-11	s CERAMIC, CHIP 1000pF 5% 50V (2125)

\*3: LOT No. 307 through 407



(SS-52B BOARD for DVW-A510P/CA510P)

Ref. No. or Q'ty	Part No.	SP	Description
C2303	1-164-232-11	s	CERAMIC, CHIP 0.01uF 10% 100V
C2304	1-164-232-11	s	CERAMIC, CHIP 0.01uF 10% 100V
C2305	1-163-037-11	s	CERAMIC, CHIP 0.022uF 10% 25V
C2306	1-164-232-11	s	CERAMIC, CHIP 0.01uF 10% 100V
C2307	1-163-016-00	s	CERAMIC, CHIP 3900pF 10% 50V
C2308	1-163-241-11	s	CERAMIC, CHIP 39pF 5% 50V (2125)
C2309	1-163-037-11	s	CERAMIC, CHIP 0.022uF 10% 25V
C2310	1-163-275-11	s	CERAMIC, CHIP 1000pF 5% 50V
C2311	1-164-004-11	s	CERAMIC, CHIP 0.1uF 10% 25V
C2312-2316	1-164-232-11	s	CERAMIC, CHIP 0.01uF 10% 100V
C2317	1-164-004-11	s	CERAMIC, CHIP 0.1uF 10% 25V
C2318-2321	1-164-232-11	s	CERAMIC, CHIP 0.01uF 10% 100V
C2322	1-164-004-11	s	CERAMIC, CHIP 0.1uF 10% 25V
C2323-2328	1-164-232-11	s	CERAMIC, CHIP 0.01uF 10% 100V
C2329	1-164-004-11	s	CERAMIC, CHIP 0.1uF 10% 25V
C2330	1-163-275-11	s	CERAMIC, CHIP 1000pF 5% 50V
C2331	1-163-016-00	s	CERAMIC, CHIP 3900pF 10% 50V
C2410	1-164-232-11	s	CERAMIC, CHIP 0.01uF 10% 100V
C2500	1-164-232-11	s	CERAMIC, CHIP 0.01uF 10% 100V
C2501	1-164-232-11	s	CERAMIC, CHIP 0.01uF 10% 100V
C2502	1-163-809-11	s	CERAMIC, CHIP 0.047uF 10% 25V
C2503	1-163-809-11	s	CERAMIC, CHIP 0.047uF 10% 25V
C2504-2507	1-163-018-00	s	CERAMIC, CHIP 5600pF 10% 50V
C2508-2511	1-164-232-11	s	CERAMIC, CHIP 0.01uF 10% 100V
C2512	1-163-133-00	s	CERAMIC, CHIP 470pF 5% 50V (2125)
C2513	1-163-133-00	s	CERAMIC, CHIP 470pF 5% 50V (2125)
C2514	1-164-004-11	s	CERAMIC, CHIP 0.1uF 10% 25V
C2515	1-164-232-11	s	CERAMIC, CHIP 0.01uF 10% 100V
C2518	1-164-004-11	s	CERAMIC, CHIP 0.1uF 10% 25V
C2519	1-164-232-11	s	CERAMIC, CHIP 0.01uF 10% 100V
C2520	1-164-232-11	s	CERAMIC, CHIP 0.01uF 10% 100V
C2523-2530	1-164-232-11	s	CERAMIC, CHIP 0.01uF 10% 100V
C2533	1-164-232-11	s	CERAMIC, CHIP 0.01uF 10% 100V
C2534	1-164-232-11	s	CERAMIC, CHIP 0.01uF 10% 100V
C2573	1-164-232-11	s	CERAMIC, CHIP 0.01uF 10% 100V
C2574	1-164-232-11	s	CERAMIC, CHIP 0.01uF 10% 100V
C2579	1-164-232-11	s	CERAMIC, CHIP 0.01uF 10% 100V
C2580	1-164-232-11	s	CERAMIC, CHIP 0.01uF 10% 100V
C2584	1-164-232-11	s	CERAMIC, CHIP 0.01uF 10% 100V
C2700	1-164-004-11	s	CERAMIC, CHIP 0.1uF 10% 25V
C2701	1-163-275-11	s	CERAMIC, CHIP 1000pF 5% 50V
C2702	1-163-275-11	s	CERAMIC, CHIP 1000pF 5% 50V (2125)
C2703	1-164-232-11	s	CERAMIC, CHIP 0.01uF 10% 100V
C2704	1-164-232-11	s	CERAMIC, CHIP 0.01uF 10% 100V
C2705	1-163-037-11	s	CERAMIC, CHIP 0.022uF 10% 25V
C2706	1-164-232-11	s	CERAMIC, CHIP 0.01uF 10% 100V
C2707	1-163-016-00	s	CERAMIC, CHIP 3900pF 10% 50V
C2708	1-163-241-11	s	CERAMIC, CHIP 39pF 5% 50V (2125)
C2709	1-163-037-11	s	CERAMIC, CHIP 0.022uF 10% 25V

(SS-52B BOARD for DVW-A510P/CA510P)

Ref. No. or Q'ty	Part No.	SP	Description
C2710	1-163-275-11	s	CERAMIC, CHIP 1000pF 5% 50V (2125)
C2711	1-164-004-11	s	CERAMIC, CHIP 0.1uF 10% 25V (2125)
C2712-2716	1-164-232-11	s	CERAMIC, CHIP 0.01uF 10% 100V (2125)
C2717	1-164-004-11	s	CERAMIC, CHIP 0.1uF 10% 25V (2125)
C2718	1-164-232-11	s	CERAMIC, CHIP 0.01uF 10% 100V (2125)
C2719	1-164-232-11	s	CERAMIC, CHIP 0.01uF 10% 100V (2125)
C2720	1-164-232-11	s	CERAMIC, CHIP 0.01uF 10% 100V (2125)
C2721	1-164-004-11	s	CERAMIC, CHIP 0.1uF 10% 25V (2125)
C2722-2728	1-164-232-11	s	CERAMIC, CHIP 0.01uF 10% 100V (2125)
C2729	1-164-004-11	s	CERAMIC, CHIP 0.1uF 10% 25V (2125)
C3000	1-163-809-11	s	CERAMIC, CHIP 0.047uF 10% 25V (2125)
C3001	1-163-809-11	s	CERAMIC, CHIP 0.047uF 10% 25V (2125)
C3002	1-164-004-11	s	CERAMIC, CHIP 0.1uF 10% 25V (2125)
CN2	1-506-484-11	s	CONNECTOR, 5P, MALE
CN122	1-573-600-21	s	CONNECTOR, PHEC 100P, MALE
CN123	1-573-600-21	s	CONNECTOR, PHEC 100P, MALE
CN124	1-573-600-21	s	CONNECTOR, PHEC 100P, MALE
CN700	1-506-484-11	s	CONNECTOR, 5P, MALE
CN701	1-506-486-11	s	CONNECTOR, 7P, MALE
CN2101	1-506-484-11	s	CONNECTOR, 5P, MALE
D100	8-719-024-81	s	DIODE 1SS300
D201	8-719-404-35	s	DIODE MA141WK
D202	8-719-210-33	s	DIODE EC10DS2
D203	8-719-210-33	s	DIODE EC10DS2
D300	8-719-026-16	s	LED CL-150D-CD, ORG
D301	8-719-026-16	s	LED CL-150D-CD, ORG
D600	8-719-404-35	s	DIODE MA141WK
D601	8-719-026-16	s	LED CL-150D-CD, ORG
D700	8-719-941-23	s	DIODE DA204U
D701	8-719-941-23	s	DIODE DA204U
D703	8-729-028-24	s	DIODE 1SS154
D704-710	8-719-941-23	s	DIODE DA204U
D711	8-719-026-16	s	LED CL-150D-CD, ORG
D800	8-719-026-16	s	LED CL-150D-CD, ORG
D801	8-719-024-81	s	DIODE 1SS300
D1103 *3	8-719-938-72	s	DIODE SB01-05CP
D2101-2108	8-719-941-23	s	DIODE DA204U
D2109	8-719-026-16	s	LED CL-150D-CD, ORG
D2110	8-719-024-81	s	DIODE 1SS300
D2300	8-719-938-72	s	DIODE SB01-05CP
D2301	8-719-938-72	s	DIODE SB01-05CP
D2302	8-719-941-23	s	DIODE DA204U
D2500-2503	8-719-941-23	s	DIODE DA204U
D2700	8-719-938-72	s	DIODE SB01-05CP
D2701	8-719-938-72	s	DIODE SB01-05CP
D2702	8-719-941-23	s	DIODE DA204U
IC1	8-759-673-42	s	IC MM74HC04SJX
IC2	8-759-925-79	s	IC SN74HC11ANS
IC3	8-759-632-39	s	IC M51958A
IC5	8-759-178-16	s	IC UPD70325GJ-10-5BG

\*3: LOT No. 307 through 407

(SS-52B BOARD for DVW-A510P/CA510P)

(SS-52B BOARD for DVW-A510P/CA510P)

Ref. No. or Q'ty	Part No.	SP	Description
IC6	8-759-673-51	s	IC MM74HC32SJK
IC7	8-759-175-55	s	IC CXD8805Q
IC8	8-759-053-58	s	IC IDT6116SA25S0
IC10	8-759-296-24	s	IC CY7C199-20VC
IC11	8-759-674-43	s	IC MM74HCT244SJK
IC12	*6 8-759-684-42	o	IC M27C2001-SYS1-V422, EP-ROM
	*5 8-759-476-63	o	IC M27C2001-SYS1-V411, EP-ROM
	*1 8-759-335-79	o	IC M27C2001-SYS1-V210, EP-ROM
IC15	8-759-175-72	s	IC UPD72002GB-11-3B4
IC16	8-759-143-23	s	IC UPD71059GB-3B4
IC17	8-759-925-78	s	IC SN74HC10ANS
IC18	8-759-031-69	s	IC MC1488M
IC19	8-759-170-73	s	IC TA78L12S
IC20	8-759-700-69	s	IC NJM79L12A
IC21	8-759-031-68	s	IC MC1489AM
IC22	8-759-544-69	s	IC LC3564BM-10-TLM
IC23	8-759-174-16	s	IC TC74VHC244F
IC24	8-759-674-43	s	IC MM74HCT244SJK
IC25	8-759-175-56	s	IC CXD8804Q
IC26	8-759-544-69	s	IC LC3564BM-10-TLM
IC27	8-759-175-56	s	IC CXD8804Q
IC28	8-759-569-65	s	IC BH3863F-E2
IC29	8-759-475-22	s	IC TC74LCX245F (EL)
IC30	8-759-475-22	s	IC TC74LCX245F (EL)
IC31	8-759-673-48	s	IC MM74HC14SJK
IC32	8-759-673-48	s	IC MM74HC14SJK
IC34	8-759-095-41	s	IC CXD8176AQ
IC35	8-759-053-58	s	IC IDT6116SA25S0
IC37	8-759-095-41	s	IC CXD8176AQ
IC38	8-759-053-58	s	IC IDT6116SA25S0
IC39	8-759-569-65	s	IC BH3863F-E2
IC41	8-759-174-16	s	IC TC74VHC244F
IC42	8-759-175-77	s	IC CXD8384Q
IC43	8-759-673-57	s	IC MM74HC86SJK
IC45	8-759-673-51	s	IC MM74HC32SJK
IC46	8-759-500-93	s	IC MB90061-111
IC47	8-759-673-45	s	IC MM74HC08SJK
IC48	8-759-923-64	s	IC AM26LS32ACNS
IC49	8-759-479-32	s	IC SN75C1168NS (E05)
IC50	8-759-175-78	s	IC Z8401510FEC
IC52	8-759-544-69	s	IC LC3564BM-10-TLM
IC53	8-759-175-94	s	IC CXD8813Q
IC54	*6 8-759-665-05	o	IC M27C2001-SYS2-V412, EP-ROM
	*5 8-759-476-64	o	IC M27C2001-SYS2-V411, EP-ROM
	*1 8-759-281-53	o	IC M27C512-SYS2-V130, EP-ROM
IC55	8-759-092-26	s	IC DS3691M
IC56	8-759-992-43	s	IC 74F174SJ
IC211	8-759-352-42	o	IC TMS27C512-DT-V202, EP-ROM
IC700	8-752-853-39	s	IC CXP80620-480Q
IC702	8-759-925-05	s	IC LM2903PS
IC747	8-759-100-94	s	IC UPC358G2
IC748	8-759-300-71	s	IC HD14053BFP
IC749	8-759-009-05	s	IC MC14051BF
IC750	8-759-348-69	s	IC HD6415108RF10
IC751	8-759-053-58	s	IC IDT6116SA25S0
IC752	8-759-673-42	s	IC MM74HC04SJK

Ref. No. or Q'ty	Part No.	SP	Description
IC753	8-759-186-29	s	IC TC74VHC11F
IC754	8-759-925-83	s	IC SN74HC27ANS
IC755	8-759-185-70	s	IC TC74VHC32F (EL)
IC756	8-759-185-79	s	IC TC74VHC138F (EL)
IC757	8-759-673-71	s	IC MM74HC138SJK
IC758	8-759-053-58	s	IC IDT6116SA25S0
IC759	8-759-081-49	s	IC TC74VHC08F (EL)
IC760	8-759-673-45	s	IC MM74HC08SJK
IC761	*6 8-759-665-06	o	IC M27C4002-SV-V215, EP-ROM
	*4 8-759-425-07	o	IC M27C4002-SV-V214, EP-ROM
IC762	8-752-381-84	s	IC CXD1095BQ
IC763	8-759-300-71	s	IC HD14053BFP
IC764	8-759-009-51	s	IC MC14538BF
IC765	8-759-100-95	s	IC UPC324G2
IC766	8-759-300-71	s	IC HD14053BFP
IC767	8-759-009-05	s	IC MC14051BF
IC768	8-759-925-05	s	IC LM2903PS
IC769	8-759-926-37	s	IC SN74HC193ANS
IC770	8-759-673-57	s	IC MM74HC86SJK
IC771	8-759-300-71	s	IC HD14053BFP
IC772	8-759-009-51	s	IC MC14538BF
IC773	8-759-673-54	s	IC MM74HC74ASJK
IC774	8-752-343-05	s	IC CXD2202Q
IC775	8-759-300-71	s	IC HD14053BFP
IC776	8-759-908-17	s	IC TL082CPS
IC777	8-759-908-17	s	IC TL082CPS
IC778	8-759-569-65	s	IC BH3863F-E2
IC779	8-759-174-16	s	IC TC74VHC244F
IC780	8-759-174-16	s	IC TC74VHC244F
IC781	8-759-174-16	s	IC TC74VHC244F
IC782	8-752-381-84	s	IC CXD1095BQ
IC783	8-759-239-14	s	IC TA78L05S
IC800	8-759-300-71	s	IC HD14053BFP
IC801	8-759-673-42	s	IC MM74HC04SJK
IC802	8-759-009-51	s	IC MC14538BF
IC1004	8-759-174-16	s	IC TC74VHC244F
IC1101*3	8-759-300-71	s	IC HD14053BFP
IC1102*3	8-759-112-53	s	IC UPC1663G
IC1107*3	8-759-700-95	s	IC NJM1496M
IC1108*3	8-759-908-17	s	IC TL082CPS
IC1112*3	8-759-708-05	s	IC NJM78L05A
IC1113*3	8-759-700-65	s	IC NJM79L05A
IC2100	8-759-673-42	s	IC MM74HC04SJK
IC2101	8-759-906-54	s	IC TL064CNS
IC2103	8-759-906-54	s	IC TL064CNS
IC2104	8-759-175-67	s	IC MB90T736
IC2106	8-759-926-49	s	IC SN74HC245ANS
IC2107	8-759-926-77	s	IC SN74HC541ANS
IC2108	8-759-996-06	s	IC CXD8115Q
IC2109	8-752-381-84	s	IC CXD1095BQ
IC2113	8-759-095-41	s	IC CXD8176AQ
IC2114	8-759-239-74	s	IC TC74HC4520AF
IC2115	8-759-053-58	s	IC IDT6116SA25S0
IC2200	8-752-343-05	s	IC CXD2202Q
IC2201	8-759-673-54	s	IC MM74HC74ASJK
IC2202	8-759-113-55	s	IC UPD71054GB-3B4
IC2203	8-759-113-55	s	IC UPD71054GB-3B4

-----  
 \*1: Board No. suffix 31 only  
 \*3: LOT No. 307 through 407  
 \*4: LOT No. 307 through 909

-----  
 \*5: LOT No. 410 through 909  
 \*6: LOT No. 910 or higher

(SS-52B BOARD for DVW-A510P/CA510P)

(SS-52B BOARD for DVW-A510P/CA510P)

Ref. No. or Q'ty	Part No.	SP	Description
IC2204	8-759-113-55	s	IC UPD71054GB-3B4
IC2205	8-759-673-51	s	IC MM74HC32SJX
IC2207	8-759-113-55	s	IC UPD71054GB-3B4
IC2208	8-759-300-71	s	IC HD14053BFP
IC2209	8-759-673-45	s	IC MM74HC08SJX
IC2210	8-759-946-12	s	IC AD7528JN
IC2211	8-759-673-54	s	IC MM74HC74ASJX
IC2300	8-759-908-92	s	IC TL084CNS
IC2301	8-759-906-54	s	IC TL064CNS
IC2302	8-759-906-54	s	IC TL064CNS
IC2303	8-759-300-71	s	IC HD14053BFP
IC2304	8-759-300-71	s	IC HD14053BFP
IC2305	8-759-906-54	s	IC TL064CNS
IC2401	8-759-155-00	s	IC CXD8177Q
IC2500	8-759-906-54	s	IC TL064CNS
IC2501	8-759-300-71	s	IC HD14053BFP
IC2502	8-759-906-54	s	IC TL064CNS
IC2503	8-759-906-54	s	IC TL064CNS
IC2504	8-759-300-71	s	IC HD14053BFP
IC2505	8-759-906-54	s	IC TL064CNS
IC2506	8-759-906-54	s	IC TL064CNS
IC2507	8-759-300-71	s	IC HD14053BFP
IC2508	8-759-906-54	s	IC TL064CNS
IC2700	8-759-908-92	s	IC TL084CNS
IC2701	8-759-906-54	s	IC TL064CNS
IC2702	8-759-906-54	s	IC TL064CNS
IC2703	8-759-300-71	s	IC HD14053BFP
IC2704	8-759-300-71	s	IC HD14053BFP
IC2705	8-759-906-54	s	IC TL064CNS
L301	1-410-803-11	s	INDUCTOR, CHIP 0.047uH
L700-703	1-412-533-21	s	INDUCTOR 47uH
L1101 *3	1-410-385-11	s	INDUCTOR, CHIP 22uH
L1114 *3	1-410-388-31	s	INDUCTOR, CHIP 39uH
L1115-1118			
*3	1-412-533-21	s	INDUCTOR 47uH
L2103	1-412-533-21	s	INDUCTOR 47uH
Q200	8-729-905-18	s	TRANSISTOR DTC144EU
Q500	8-729-143-07	s	TRANSISTOR 2SA1610-Y33
Q700	8-729-106-68	s	TRANSISTOR 2SC1615A-GP
Q701	8-729-106-60	s	TRANSISTOR 2SB1115A
Q702	8-729-905-18	s	TRANSISTOR DTC144EU
Q1105 *3	8-729-117-72	s	TRANSISTOR 2SC4178-F13
Q1106 *3	8-729-117-72	s	TRANSISTOR 2SC4178-F13
R100	1-216-049-00	s	METAL, CHIP 1.0K 5% 1/10W (2125)
R101-105	1-216-089-00	s	METAL, CHIP 47K 5% 1/10W (2125)
R106-108	1-216-057-00	s	METAL, CHIP 2.2K 5% 1/10W (2125)
R109-113	1-216-073-00	s	METAL, CHIP 10K 5% 1/10W (2125)
R114	1-216-057-00	s	METAL, CHIP 2.2K 5% 1/10W (2125)
R115	1-216-089-00	s	METAL, CHIP 47K 5% 1/10W (2125)
R116	1-216-073-00	s	METAL, CHIP 10K 5% 1/10W (2125)
R117-125	1-216-089-00	s	METAL, CHIP 47K 5% 1/10W (2125)
R128	1-216-089-00	s	METAL, CHIP 47K 5% 1/10W (2125)
R130	1-216-689-11	s	METAL, CHIP 39K 0.5% 1/10W (2125)
R131	1-208-811-11	s	METAL, CHIP 16K 0.5% 1/10W
R171	1-216-025-00	s	METAL, CHIP 100 5% 1/10W (2125)

Ref. No. or Q'ty	Part No.	SP	Description
R172	1-216-025-00	s	METAL, CHIP 100 5% 1/10W (2125)
R176-178	1-216-295-00	s	METAL, CHIP 0 (2125)
R179	1-216-073-00	s	METAL, CHIP 10K 5% 1/10W (2125)
R190	1-216-089-00	s	METAL, CHIP 47K 5% 1/10W (2125)
R200	1-216-073-00	s	METAL, CHIP 10K 5% 1/10W (2125)
R201-204	1-216-077-00	s	METAL, CHIP 15K 5% 1/10W (2125)
R205-208	1-216-089-00	s	METAL, CHIP 47K 5% 1/10W (2125)
R209	1-216-295-00	s	METAL, CHIP 0 (2125)
R210-212	1-216-089-00	s	METAL, CHIP 47K 5% 1/10W (2125)
R300-308	1-216-089-00	s	METAL, CHIP 47K 5% 1/10W (2125)
R324	1-216-033-00	s	METAL, CHIP 220 5% 1/10W (2125)
R325	1-216-295-00	s	METAL, CHIP 0 (2125)
R326	1-216-033-00	s	METAL, CHIP 220 5% 1/10W (2125)
R327	1-216-033-00	s	METAL, CHIP 220 5% 1/10W (2125)
R328	1-216-089-00	s	METAL, CHIP 47K 5% 1/10W (2125)
R332	1-216-047-00	s	METAL, CHIP 820 5% 1/10W (2125)
R333	1-216-097-00	s	METAL, CHIP 100K 5% 1/10W (2125)
R334	1-216-097-00	s	METAL, CHIP 100K 5% 1/10W (2125)
R339-341	1-216-097-00	s	METAL, CHIP 100K 5% 1/10W (2125)
R346-348	1-216-097-00	s	METAL, CHIP 100K 5% 1/10W (2125)
R358	1-216-047-00	s	METAL, CHIP 820 5% 1/10W (2125)
R359	1-216-089-00	s	METAL, CHIP 47K 5% 1/10W (2125)
R400	1-216-089-00	s	METAL, CHIP 47K 5% 1/10W (2125)
R401	1-216-089-00	s	METAL, CHIP 47K 5% 1/10W (2125)
R402	1-216-073-00	s	METAL, CHIP 10K 5% 1/10W (2125)
R403	1-216-089-00	s	METAL, CHIP 47K 5% 1/10W (2125)
R404	1-216-089-00	s	METAL, CHIP 47K 5% 1/10W (2125)
R405	1-216-073-00	s	METAL, CHIP 10K 5% 1/10W (2125)
R500	1-216-057-00	s	METAL, CHIP 2.2K 5% 1/10W (2125)
R501	1-216-057-00	s	METAL, CHIP 2.2K 5% 1/10W (2125)
R502	1-216-065-00	s	METAL, CHIP 4.7K 5% 1/10W (2125)
R503	1-216-065-00	s	METAL, CHIP 4.7K 5% 1/10W (2125)
R504	1-216-037-00	s	METAL, CHIP 330 5% 1/10W (2125)
R505	1-216-121-00	s	METAL, CHIP 1.0M 5% 1/10W (2125)
R506-512	1-216-089-00	s	METAL, CHIP 47K 5% 1/10W (2125)
R513	1-216-033-00	s	METAL, CHIP 220 5% 1/10W (2125)
R514	1-216-021-00	s	METAL, CHIP 68 5% 1/10W (2125)
R515	1-216-029-00	s	METAL, CHIP 150 5% 1/10W (2125)
R517-521	1-216-295-00	s	METAL, CHIP 0 (2125)
R532	1-216-049-00	s	METAL, CHIP 1.0K 5% 1/10W (2125)
R600-602	1-216-065-00	s	METAL, CHIP 4.7K 5% 1/10W (2125)
R604	1-216-025-00	s	METAL, CHIP 100 5% 1/10W (2125)
R606 *1	1-216-295-00	s	METAL, CHIP 0 (2125)
R607	1-216-073-00	s	METAL, CHIP 10K 5% 1/10W (2125)
R608	1-216-077-00	s	METAL, CHIP 15K 5% 1/10W (2125)
R609	1-216-097-00	s	METAL, CHIP 100K 5% 1/10W (2125)
R610	1-216-077-00	s	METAL, CHIP 15K 5% 1/10W (2125)
R611	1-216-097-00	s	METAL, CHIP 100K 5% 1/10W (2125)
R612	1-216-077-00	s	METAL, CHIP 15K 5% 1/10W (2125)
R613	1-216-097-00	s	METAL, CHIP 100K 5% 1/10W (2125)
R614	1-216-077-00	s	METAL, CHIP 15K 5% 1/10W (2125)
R615	1-216-097-00	s	METAL, CHIP 100K 5% 1/10W (2125)
R616-618	1-216-073-00	s	METAL, CHIP 10K 5% 1/10W (2125)
R619	1-216-065-00	s	METAL, CHIP 4.7K 5% 1/10W (2125)
R620	1-216-077-00	s	METAL, CHIP 15K 5% 1/10W (2125)
R621	1-216-045-00	s	METAL, CHIP 680 5% 1/10W (2125)

-----  
 \*1: Board No. suffix 31 only  
 \*3: LOT No. 307 through 407

## (SS-52B BOARD for DVW-A510P/CA510P)

Ref. No. or Q'ty	Part No.	SP Description
R622	1-216-025-00	s METAL, CHIP 100 5% 1/10W (2125)
R625	1-216-077-00	s METAL, CHIP 15K 5% 1/10W (2125)
R626	1-216-077-00	s METAL, CHIP 15K 5% 1/10W (2125)
R627	1-216-097-00	s METAL, CHIP 100K 5% 1/10W (2125)
R628	1-216-097-00	s METAL, CHIP 100K 5% 1/10W (2125)
R700-702	1-216-073-00	s METAL, CHIP 10K 5% 1/10W (2125)
R703	1-216-097-00	s METAL, CHIP 100K 5% 1/10W (2125)
R704	1-216-097-00	s METAL, CHIP 100K 5% 1/10W (2125)
R705	1-216-085-00	s METAL, CHIP 33K 5% 1/10W (2125)
R707	1-216-025-00	s METAL, CHIP 100 5% 1/10W (2125)
R708	1-216-073-00	s METAL, CHIP 10K 5% 1/10W (2125)
R709	1-216-295-00	s METAL, CHIP 0 (2125)
R710	1-218-478-11	s METAL, CHIP 330 5% 1/4W (3225)
R711	1-218-478-11	s METAL, CHIP 330 5% 1/4W (3225)
R712	1-216-109-00	s METAL, CHIP 330K 5% 1/10W (2125)
R713-715	1-216-073-00	s METAL, CHIP 10K 5% 1/10W (2125)
R716	1-216-295-00	s METAL, CHIP 0 (2125)
R717	1-216-085-00	s METAL, CHIP 33K 5% 1/10W (2125)
R718	1-216-109-00	s METAL, CHIP 330K 5% 1/10W (2125)
R719-721	1-216-073-00	s METAL, CHIP 10K 5% 1/10W (2125)
R722-724	1-216-089-00	s METAL, CHIP 47K 5% 1/10W (2125)
R725-727	1-216-295-00	s METAL, CHIP 0 (2125)
R728	1-216-073-00	s METAL, CHIP 10K 5% 1/10W (2125)
R729	1-216-097-00	s METAL, CHIP 100K 5% 1/10W (2125)
R731	1-216-089-00	s METAL, CHIP 47K 5% 1/10W (2125)
R732	1-216-089-00	s METAL, CHIP 47K 5% 1/10W (2125)
R733	1-216-025-00	s METAL, CHIP 100 5% 1/10W (2125)
R734	1-216-025-00	s METAL, CHIP 100 5% 1/10W (2125)
R735	1-216-073-00	s METAL, CHIP 10K 5% 1/10W (2125)
R736	1-216-089-00	s METAL, CHIP 47K 5% 1/10W (2125)
R737	1-216-114-00	s METAL, CHIP 510K 5% 1/10W (2125)
R738	1-216-073-00	s METAL, CHIP 10K 5% 1/10W (2125)
R739	1-216-049-00	s METAL, CHIP 1.0K 5% 1/10W (2125)
R740	1-216-114-00	s METAL, CHIP 510K 5% 1/10W (2125)
R741	1-216-049-00	s METAL, CHIP 1.0K 5% 1/10W (2125)
R742	1-216-074-00	s METAL, CHIP 11K 5% 1/10W (2125)
R743	1-216-074-00	s METAL, CHIP 11K 5% 1/10W (2125)
R744	1-216-049-00	s METAL, CHIP 1.0K 5% 1/10W (2125)
R745	1-216-073-00	s METAL, CHIP 10K 5% 1/10W (2125)
R746	1-216-089-00	s METAL, CHIP 47K 5% 1/10W (2125)
R747	1-216-073-00	s METAL, CHIP 10K 5% 1/10W (2125)
R748	1-216-089-00	s METAL, CHIP 47K 5% 1/10W (2125)
R749	1-216-074-00	s METAL, CHIP 11K 5% 1/10W (2125)
R750	1-216-073-00	s METAL, CHIP 10K 5% 1/10W (2125)
R751	1-216-074-00	s METAL, CHIP 11K 5% 1/10W (2125)
R752	1-216-073-00	s METAL, CHIP 10K 5% 1/10W (2125)
R753	1-216-045-00	s METAL, CHIP 680 5% 1/10W (2125)
R754	1-216-089-00	s METAL, CHIP 47K 5% 1/10W (2125)
R755	1-216-295-00	s METAL, CHIP 0 (2125)
R800	1-216-001-00	s METAL, CHIP 10 5% 1/10W (2125)
R801	1-216-295-00	s METAL, CHIP 0 (2125)
R802-805	1-216-073-00	s METAL, CHIP 10K 5% 1/10W (2125)
R806	1-216-025-00	s METAL, CHIP 100 5% 1/10W (2125)
R807	1-216-073-00	s METAL, CHIP 10K 5% 1/10W (2125)
R808	1-216-089-00	s METAL, CHIP 47K 5% 1/10W (2125)
R809	1-216-089-00	s METAL, CHIP 47K 5% 1/10W (2125)

## (SS-52B BOARD for DVW-A510P/CA510P)

Ref. No. or Q'ty	Part No.	SP Description
R810	1-216-073-00	s METAL, CHIP 10K 5% 1/10W (2125)
R811	1-216-061-00	s METAL, CHIP 3.3K 5% 1/10W (2125)
R812	1-216-081-00	s METAL, CHIP 22K 5% 1/10W (2125)
R813	1-216-081-00	s METAL, CHIP 22K 5% 1/10W (2125)
R814	1-216-073-00	s METAL, CHIP 10K 5% 1/10W (2125)
R815	1-216-057-00	s METAL, CHIP 2.2K 5% 1/10W (2125)
R816	1-216-073-00	s METAL, CHIP 10K 5% 1/10W (2125)
R817	1-216-057-00	s METAL, CHIP 2.2K 5% 1/10W (2125)
R818	1-216-085-00	s METAL, CHIP 33K 5% 1/10W (2125)
R819	1-216-109-00	s METAL, CHIP 330K 5% 1/10W (2125)
R820	1-216-073-00	s METAL, CHIP 10K 5% 1/10W (2125)
R821	1-216-073-00	s METAL, CHIP 10K 5% 1/10W (2125)
R822	1-216-057-00	s METAL, CHIP 2.2K 5% 1/10W (2125)
R823	1-216-057-00	s METAL, CHIP 2.2K 5% 1/10W (2125)
R824	1-216-073-00	s METAL, CHIP 10K 5% 1/10W (2125)
R825	1-216-295-00	s METAL, CHIP 0 (2125)
R826	1-216-049-00	s METAL, CHIP 1.0K 5% 1/10W (2125)
R827	1-216-037-00	s METAL, CHIP 330 5% 1/10W (2125)
R828	1-216-105-11	s METAL, CHIP 220K 5% 1/10W (2125)
R829	1-216-073-00	s METAL, CHIP 10K 5% 1/10W (2125)
R830	1-216-105-11	s METAL, CHIP 220K 5% 1/10W (2125)
R831	1-216-085-00	s METAL, CHIP 33K 5% 1/10W (2125)
R832-835	1-216-295-00	s METAL, CHIP 0 (2125)
R836	1-216-025-00	s METAL, CHIP 100 5% 1/10W (2125)
R837	1-216-065-00	s METAL, CHIP 4.7K 5% 1/10W (2125)
R838	1-216-295-00	s METAL, CHIP 0 (2125)
R839	1-216-295-00	s METAL, CHIP 0 (2125)
R840	1-216-025-00	s METAL, CHIP 100 5% 1/10W (2125)
R841	1-216-295-00	s METAL, CHIP 0 (2125)
R842	1-216-025-00	s METAL, CHIP 100 5% 1/10W (2125)
R843	1-216-295-00	s METAL, CHIP 0 (2125)
R844	1-216-295-00	s METAL, CHIP 0 (2125)
R845	1-216-081-00	s METAL, CHIP 22K 5% 1/10W (2125)
R846	1-216-049-00	s METAL, CHIP 1.0K 5% 1/10W (2125)
R847	1-216-081-00	s METAL, CHIP 22K 5% 1/10W (2125)
R848	1-216-025-00	s METAL, CHIP 100 5% 1/10W (2125)
R849	1-216-295-00	s METAL, CHIP 0 (2125)
R850	1-216-025-00	s METAL, CHIP 100 5% 1/10W (2125)
R851	1-216-025-00	s METAL, CHIP 100 5% 1/10W (2125)
R852	1-216-049-00	s METAL, CHIP 1.0K 5% 1/10W (2125)
R853-859	1-216-295-00	s METAL, CHIP 0 (2125)
R861-865	1-216-295-00	s METAL, CHIP 0 (2125)
R866	1-216-081-00	s METAL, CHIP 22K 5% 1/10W (2125)
R867	1-216-073-00	s METAL, CHIP 10K 5% 1/10W (2125)
R868	1-216-097-00	s METAL, CHIP 100K 5% 1/10W (2125)
R869	1-216-295-00	s METAL, CHIP 0 (2125)
R870	1-216-295-00	s METAL, CHIP 0 (2125)
R871	1-216-073-00	s METAL, CHIP 10K 5% 1/10W (2125)
R879	1-216-073-00	s METAL, CHIP 10K 5% 1/10W (2125)
R885	1-216-073-00	s METAL, CHIP 10K 5% 1/10W (2125)
R886	1-216-057-00	s METAL, CHIP 2.2K 5% 1/10W (2125)
R887-891	1-216-073-00	s METAL, CHIP 10K 5% 1/10W (2125)
R900-902	1-216-295-00	s METAL, CHIP 0 (2125)
R903	1-216-089-00	s METAL, CHIP 47K 5% 1/10W (2125)
R904	1-216-295-00	s METAL, CHIP 0 (2125)
R905-907	1-216-097-00	s METAL, CHIP 100K 5% 1/10W (2125)

(SS-52B BOARD for DVW-A510P/CA510P)

(SS-52B BOARD for DVW-A510P/CA510P)

Ref. No. or Q'ty	Part No.	SP	Description
R908	1-216-295-00	s	METAL, CHIP 0 (2125)
R909	1-216-065-00	s	METAL, CHIP 4.7K 5% 1/10W (2125)
R910	1-216-089-00	s	METAL, CHIP 47K 5% 1/10W (2125)
R911	1-216-089-00	s	METAL, CHIP 47K 5% 1/10W (2125)
R912	*2 1-216-073-00	s	METAL, CHIP 10K 5% 1/10W (2125)
R913	*2 1-216-073-00	s	METAL, CHIP 10K 5% 1/10W (2125)
R914	*2 1-216-073-00	s	METAL, CHIP 10K 5% 1/10W (2125)
R928-931	1-216-295-00	s	METAL, CHIP 0 (2125)
R934	1-216-295-00	s	METAL, CHIP 0 (2125)
R1001	1-216-033-00	s	METAL, CHIP 220 5% 1/10W (2125)
R1003	1-216-295-00	s	METAL, CHIP 0 (2125)
R1004	1-216-295-00	s	METAL, CHIP 0 (2125)
R1100	*3 1-216-069-00	s	METAL, CHIP 6.8K 5% 1/10W (2125)
R1101	*3 1-216-033-00	s	METAL, CHIP 220 5% 1/10W (2125)
R1102	*3 1-216-033-00	s	METAL, CHIP 220 5% 1/10W (2125)
R1103	*3 1-216-045-00	s	METAL, CHIP 680 5% 1/10W (2125)
R1104	*3 1-216-045-00	s	METAL, CHIP 680 5% 1/10W (2125)
R1105	*3 1-216-029-00	s	METAL, CHIP 150 5% 1/10W (2125)
R1106	*3 1-216-047-00	s	METAL, CHIP 820 5% 1/10W (2125)
R1107	*3 1-216-033-00	s	METAL, CHIP 220 5% 1/10W (2125)
R1108	*3 1-216-033-00	s	METAL, CHIP 220 5% 1/10W (2125)
R1146	*3 1-216-057-00	s	METAL, CHIP 2.2K 5% 1/10W (2125)
R1151	*3 1-216-073-00	s	METAL, CHIP 10K 5% 1/10W (2125)
R1154	*3 1-216-041-00	s	METAL, CHIP 470 5% 1/10W (2125)
R1155	*3 1-216-049-00	s	METAL, CHIP 1.0K 5% 1/10W (2125)
R1158	*3 1-216-066-00	s	METAL, CHIP 5.1K 5% 1/10W (2125)
R1159	*3 1-216-013-00	s	METAL, CHIP 33 5% 1/10W (2125)
R1160	*3 1-216-057-00	s	METAL, CHIP 2.2K 5% 1/10W (2125)
R1161	*3 1-216-053-00	s	METAL, CHIP 1.5K 5% 1/10W (2125)
R1162	*3 1-216-059-00	s	METAL, CHIP 2.7K 5% 1/10W (2125)
R1163	*3 1-216-061-00	s	METAL, CHIP 3.3K 5% 1/10W (2125)
R1164	*3 1-216-043-00	s	METAL, CHIP 560 5% 1/10W (2125)
R1165	*3 1-216-043-00	s	METAL, CHIP 560 5% 1/10W (2125)
R1166	*3 1-216-061-00	s	METAL, CHIP 3.3K 5% 1/10W (2125)
R1167	*3 1-216-061-00	s	METAL, CHIP 3.3K 5% 1/10W (2125)
R1168	*3 1-216-061-00	s	METAL, CHIP 3.3K 5% 1/10W (2125)
R1169	*3 1-216-069-00	s	METAL, CHIP 6.8K 5% 1/10W (2125)
R1170	*3 1-216-073-00	s	METAL, CHIP 10K 5% 1/10W (2125)
R1171	*3 1-216-061-00	s	METAL, CHIP 3.3K 5% 1/10W (2125)
R1172	*3 1-216-049-00	s	METAL, CHIP 1.0K 5% 1/10W (2125)
R1173	*3 1-216-049-00	s	METAL, CHIP 1.0K 5% 1/10W (2125)
R1174	*3 1-216-045-00	s	METAL, CHIP 680 5% 1/10W (2125)
R1175	*3 1-216-073-00	s	METAL, CHIP 10K 5% 1/10W (2125)
R1176	*3 1-216-073-00	s	METAL, CHIP 10K 5% 1/10W (2125)
R1177	*3 1-216-051-00	s	METAL, CHIP 1.2K 5% 1/10W (2125)
R1178	*3 1-216-051-00	s	METAL, CHIP 1.2K 5% 1/10W (2125)
R1179	*3 1-216-051-00	s	METAL, CHIP 1.2K 5% 1/10W (2125)
R1180	*3 1-216-063-00	s	METAL, CHIP 3.9K 5% 1/10W (2125)
R1187	*3 1-216-049-00	s	METAL, CHIP 1.0K 5% 1/10W (2125)
R2100	1-216-073-00	s	METAL, CHIP 10K 5% 1/10W (2125)
R2101	1-216-073-00	s	METAL, CHIP 10K 5% 1/10W (2125)
R2102	1-216-089-00	s	METAL, CHIP 47K 5% 1/10W (2125)
R2103	1-216-089-00	s	METAL, CHIP 47K 5% 1/10W (2125)
R2104	1-216-081-00	s	METAL, CHIP 22K 5% 1/10W (2125)
R2105	1-216-081-00	s	METAL, CHIP 22K 5% 1/10W (2125)
R2106	1-216-089-00	s	METAL, CHIP 47K 5% 1/10W (2125)

Ref. No. or Q'ty	Part No.	SP	Description
R2107	1-216-089-00	s	METAL, CHIP 47K 5% 1/10W (2125)
R2108	1-216-089-00	s	METAL, CHIP 47K 5% 1/10W (2125)
R2109-2113	1-216-073-00	s	METAL, CHIP 10K 5% 1/10W (2125)
R2114	1-216-049-00	s	METAL, CHIP 1.0K 5% 1/10W (2125)
R2116	1-216-089-00	s	METAL, CHIP 47K 5% 1/10W (2125)
R2117	1-216-049-00	s	METAL, CHIP 1.0K 5% 1/10W (2125)
R2119	1-216-049-00	s	METAL, CHIP 1.0K 5% 1/10W (2125)
R2122	1-216-049-00	s	METAL, CHIP 1.0K 5% 1/10W (2125)
R2123	1-216-049-00	s	METAL, CHIP 1.0K 5% 1/10W (2125)
R2125	1-216-073-00	s	METAL, CHIP 10K 5% 1/10W (2125)
R2126	1-216-073-00	s	METAL, CHIP 10K 5% 1/10W (2125)
R2127	1-216-089-00	s	METAL, CHIP 47K 5% 1/10W (2125)
R2128	1-216-047-00	s	METAL, CHIP 820 5% 1/10W (2125)
R2129-2134	1-216-073-00	s	METAL, CHIP 10K 5% 1/10W (2125)
R2135	1-216-089-00	s	METAL, CHIP 47K 5% 1/10W (2125)
R2136	1-216-089-00	s	METAL, CHIP 47K 5% 1/10W (2125)
R2137	1-216-049-00	s	METAL, CHIP 1.0K 5% 1/10W (2125)
R2138	1-216-089-00	s	METAL, CHIP 47K 5% 1/10W (2125)
R2139	1-216-073-00	s	METAL, CHIP 10K 5% 1/10W (2125)
R2140	1-216-073-00	s	METAL, CHIP 10K 5% 1/10W (2125)
R2141	1-216-089-00	s	METAL, CHIP 47K 5% 1/10W (2125)
R2142	1-216-049-00	s	METAL, CHIP 1.0K 5% 1/10W (2125)
R2143	1-216-037-00	s	METAL, CHIP 330 5% 1/10W (2125)
R2173	1-216-073-00	s	METAL, CHIP 10K 5% 1/10W (2125)
R2200	1-216-089-00	s	METAL, CHIP 47K 5% 1/10W (2125)
R2201	1-216-089-00	s	METAL, CHIP 47K 5% 1/10W (2125)
R2202	1-216-089-00	s	METAL, CHIP 47K 5% 1/10W (2125)
R2203	1-216-037-00	s	METAL, CHIP 330 5% 1/10W (2125)
R2204	1-216-089-00	s	METAL, CHIP 47K 5% 1/10W (2125)
R2205	1-216-089-00	s	METAL, CHIP 47K 5% 1/10W (2125)
R2206-2210	1-216-049-00	s	METAL, CHIP 1.0K 5% 1/10W (2125)
R2212	1-216-089-00	s	METAL, CHIP 47K 5% 1/10W (2125)
R2213	1-216-089-00	s	METAL, CHIP 47K 5% 1/10W (2125)
R2214	1-216-049-00	s	METAL, CHIP 1.0K 5% 1/10W (2125)
R2215	1-216-049-00	s	METAL, CHIP 1.0K 5% 1/10W (2125)
R2217	1-216-049-00	s	METAL, CHIP 1.0K 5% 1/10W (2125)
R2219	1-216-049-00	s	METAL, CHIP 1.0K 5% 1/10W (2125)
R2220	1-216-049-00	s	METAL, CHIP 1.0K 5% 1/10W (2125)
R2221	1-216-089-00	s	METAL, CHIP 47K 5% 1/10W (2125)
R2222	1-216-089-00	s	METAL, CHIP 47K 5% 1/10W (2125)
R2223	1-216-049-00	s	METAL, CHIP 1.0K 5% 1/10W (2125)
R2224	1-216-049-00	s	METAL, CHIP 1.0K 5% 1/10W (2125)
R2225	1-216-073-00	s	METAL, CHIP 10K 5% 1/10W (2125)
R2226	1-216-085-00	s	METAL, CHIP 33K 5% 1/10W (2125)
R2227	1-216-073-00	s	METAL, CHIP 10K 5% 1/10W (2125)
R2228	1-216-092-00	s	METAL, CHIP 62K 5% 1/10W (2125)
R2229	1-216-055-00	s	METAL, CHIP 1.8K 5% 1/10W (2125)
R2230	1-216-073-00	s	METAL, CHIP 10K 5% 1/10W (2125)
R2231	1-216-073-00	s	METAL, CHIP 10K 5% 1/10W (2125)
R2232	1-216-061-00	s	METAL, CHIP 3.3K 5% 1/10W (2125)
R2300	1-216-089-00	s	METAL, CHIP 47K 5% 1/10W (2125)
R2301	1-216-089-00	s	METAL, CHIP 47K 5% 1/10W (2125)

-----  
 \*2: Board No. suffix 32 or higher  
 \*3: LOT No. 307 through 407

## (SS-52B BOARD for DVW-A510P/CA510P)

Ref. No. or Q'ty	Part No.	SP Description
R2302	1-216-025-00	s METAL, CHIP 100 5% 1/10W (2125)
R2303	1-216-025-00	s METAL, CHIP 100 5% 1/10W (2125)
R2304	1-216-675-11	s METAL, CHIP 10K 0.5% 1/10W (2125)
R2305	1-216-675-11	s METAL, CHIP 10K 0.5% 1/10W (2125)
R2306	1-216-675-11	s METAL, CHIP 10K 0.5% 1/10W (2125)
R2307	1-216-085-00	s METAL, CHIP 33K 5% 1/10W (2125)
R2308	1-216-667-11	s METAL, CHIP 4.7K 0.5% 1/10W
R2309	1-216-097-00	s METAL, CHIP 100K 5% 1/10W (2125)
R2310	1-216-667-11	s METAL, CHIP 4.7K 0.5% 1/10W
R2311	1-216-675-11	s METAL, CHIP 10K 0.5% 1/10W (2125)
R2312	1-216-091-00	s METAL, CHIP 56K 5% 1/10W (2125)
R2313	1-216-097-00	s METAL, CHIP 100K 5% 1/10W (2125)
R2314	1-216-091-00	s METAL, CHIP 56K 5% 1/10W (2125)
R2315	1-216-667-11	s METAL, CHIP 4.7K 0.5% 1/10W
R2316	1-216-689-11	s METAL, CHIP 39K 0.5% 1/10W (2125)
R2317	1-216-689-11	s METAL, CHIP 39K 0.5% 1/10W (2125)
R2318	1-216-675-11	s METAL, CHIP 10K 0.5% 1/10W (2125)
R2319	1-216-049-00	s METAL, CHIP 1.0K 5% 1/10W (2125)
R2320	1-216-049-00	s METAL, CHIP 1.0K 5% 1/10W (2125)
R2322	1-216-049-00	s METAL, CHIP 1.0K 5% 1/10W (2125)
R2323	1-216-073-00	s METAL, CHIP 10K 5% 1/10W (2125)
R2324	1-216-089-00	s METAL, CHIP 47K 5% 1/10W (2125)
R2325	1-216-049-00	s METAL, CHIP 1.0K 5% 1/10W (2125)
R2326	1-216-074-00	s METAL, CHIP 11K 5% 1/10W (2125)
R2327	1-216-059-00	s METAL, CHIP 2.7K 5% 1/10W (2125)
R2328	1-216-105-11	s METAL, CHIP 220K 5% 1/10W (2125)
R2329	1-216-073-00	s METAL, CHIP 10K 5% 1/10W (2125)
R2330	1-216-049-00	s METAL, CHIP 1.0K 5% 1/10W (2125)
R2331	1-216-089-00	s METAL, CHIP 47K 5% 1/10W (2125)
R2332	1-216-073-00	s METAL, CHIP 10K 5% 1/10W (2125)
R2333	1-216-049-00	s METAL, CHIP 1.0K 5% 1/10W (2125)
R2334	1-216-059-00	s METAL, CHIP 2.7K 5% 1/10W (2125)
R2335	1-216-105-11	s METAL, CHIP 220K 5% 1/10W (2125)
R2340	1-216-073-00	s METAL, CHIP 10K 5% 1/10W (2125)
R2341	1-216-073-00	s METAL, CHIP 10K 5% 1/10W (2125)
R2342	1-216-073-00	s METAL, CHIP 10K 5% 1/10W (2125)
R2344	1-216-073-00	s METAL, CHIP 10K 5% 1/10W (2125)
R2345	1-216-097-00	s METAL, CHIP 100K 5% 1/10W (2125)
R2346	1-216-073-00	s METAL, CHIP 10K 5% 1/10W (2125)
R2347	1-216-049-00	s METAL, CHIP 1.0K 5% 1/10W (2125)
R2348	1-208-812-11	s METAL, CHIP 18K 0.5% 1/10W (2125)
R2349	1-216-677-11	s METAL, CHIP 12K 0.5% 1/10W (2125)
R2350	1-208-812-11	s METAL, CHIP 18K 0.5% 1/10W (2125)
R2351	1-216-688-11	s METAL, CHIP 36K 0.5% 1/10W
R2352	1-216-065-00	s METAL, CHIP 4.7K 5% 1/10W (2125)
R2354	1-216-025-00	s METAL, CHIP 100 5% 1/10W (2125)
R2355	1-216-667-11	s METAL, CHIP 4.7K 0.5% 1/10W
R2356	1-216-689-11	s METAL, CHIP 39K 0.5% 1/10W (2125)
R2400	1-216-097-00	s METAL, CHIP 100K 5% 1/10W (2125)
R2402	1-216-097-00	s METAL, CHIP 100K 5% 1/10W (2125)
R2404	1-216-049-00	s METAL, CHIP 1.0K 5% 1/10W (2125)
R2405	1-216-049-00	s METAL, CHIP 1.0K 5% 1/10W (2125)
R2406	1-216-089-00	s METAL, CHIP 47K 5% 1/10W (2125)
R2500	1-216-687-11	s METAL, CHIP 33K 0.5% 1/10W
R2501	1-216-687-11	s METAL, CHIP 33K 0.5% 1/10W (2125)
R2502-2505	1-216-675-11	s METAL, CHIP 10K 0.5% 1/10W

## (SS-52B BOARD for DVW-A510P/CA510P)

Ref. No. or Q'ty	Part No.	SP Description
R2506	1-216-651-11	s METAL, CHIP 1.0K 0.5% 1/10W (2125)
R2507	1-216-651-11	s METAL, CHIP 1.0K 0.5% 1/10W (2125)
R2508	1-216-689-11	s METAL, CHIP 39K 0.5% 1/10W (2125)
R2509	1-216-689-11	s METAL, CHIP 39K 0.5% 1/10W (2125)
R2510	1-218-758-11	s METAL, CHIP 180K 0.5% 1/10W (2125)
R2511	1-218-758-11	s METAL, CHIP 180K 0.5% 1/10W (2125)
R2512	1-216-663-11	s METAL, CHIP 3.3K 0.5% 1/10W (2125)
R2513	1-216-663-11	s METAL, CHIP 3.3K 0.5% 1/10W (2125)
R2514	1-216-694-11	s METAL, CHIP 62K 0.5% 1/10W (2125)
R2515	1-216-665-11	s METAL, CHIP 3.9K 0.5% 1/10W (2125)
R2516	1-216-694-11	s METAL, CHIP 62K 0.5% 1/10W (2125)
R2517	1-216-665-11	s METAL, CHIP 3.9K 0.5% 1/10W (2125)
R2518	1-216-692-11	s METAL, CHIP 51K 0.5% 1/10W (2125)
R2519	1-216-692-11	s METAL, CHIP 51K 0.5% 1/10W (2125)
R2520	1-216-295-00	s METAL, CHIP 0 (2125)
R2521	1-218-756-11	s METAL, CHIP 150K 0.5% 1/10W (2125)
R2522	1-216-651-11	s METAL, CHIP 1.0K 0.5% 1/10W (2125)
R2523	1-216-651-11	s METAL, CHIP 1.0K 0.5% 1/10W (2125)
R2524	1-216-667-11	s METAL, CHIP 4.7K 0.5% 1/10W (2125)
R2526	1-216-073-00	s METAL, CHIP 10K 5% 1/10W (2125)
R2527	1-216-073-00	s METAL, CHIP 10K 5% 1/10W (2125)
R2528-2535	1-216-687-11	s METAL, CHIP 33K 0.5% 1/10W (2125)
R2536-2539	1-216-675-11	s METAL, CHIP 10K 0.5% 1/10W (2125)
R2540-2543	1-216-687-11	s METAL, CHIP 33K 0.5% 1/10W (2125)
R2544	1-216-073-00	s METAL, CHIP 10K 5% 1/10W (2125)
R2545	1-216-089-00	s METAL, CHIP 47K 5% 1/10W (2125)
R2546	1-216-655-11	s METAL, CHIP 1.5K 0.5% 1/10W (2125)
R2547	1-218-756-11	s METAL, CHIP 150K 0.5% 1/10W (2125)
R2548	1-216-687-11	s METAL, CHIP 33K 0.5% 1/10W (2125)
R2549	1-216-687-11	s METAL, CHIP 33K 0.5% 1/10W (2125)
R2550	1-218-776-11	s METAL, CHIP 1.0M 0.5% 1/10W (2125)
R2551	1-216-687-11	s METAL, CHIP 33K 0.5% 1/10W (2125)
R2552	1-216-687-11	s METAL, CHIP 33K 0.5% 1/10W (2125)
R2553	1-216-073-00	s METAL, CHIP 10K 5% 1/10W (2125)
R2554	1-216-089-00	s METAL, CHIP 47K 5% 1/10W (2125)
R2700	1-216-089-00	s METAL, CHIP 47K 5% 1/10W (2125)
R2701	1-216-089-00	s METAL, CHIP 47K 5% 1/10W (2125)
R2702	1-216-025-00	s METAL, CHIP 100 5% 1/10W (2125)
R2703	1-216-025-00	s METAL, CHIP 100 5% 1/10W (2125)
R2704	1-216-675-11	s METAL, CHIP 10K 0.5% 1/10W (2125)
R2705	1-216-675-11	s METAL, CHIP 10K 0.5% 1/10W (2125)
R2706	1-216-675-11	s METAL, CHIP 10K 0.5% 1/10W (2125)
R2707	1-216-667-11	s METAL, CHIP 4.7K 0.5% 1/10W (2125)
R2708	1-216-085-00	s METAL, CHIP 33K 5% 1/10W (2125)
R2709	1-216-667-11	s METAL, CHIP 4.7K 0.5% 1/10W (2125)
R2710	1-216-097-00	s METAL, CHIP 100K 5% 1/10W (2125)
R2711	1-216-675-11	s METAL, CHIP 10K 0.5% 1/10W (2125)
R2712	1-216-091-00	s METAL, CHIP 56K 5% 1/10W (2125)
R2713	1-216-097-00	s METAL, CHIP 100K 5% 1/10W (2125)
R2714	1-216-091-00	s METAL, CHIP 56K 5% 1/10W (2125)
R2715	1-216-667-11	s METAL, CHIP 4.7K 0.5% 1/10W (2125)
R2716	1-216-689-11	s METAL, CHIP 39K 0.5% 1/10W (2125)

## (SS-52B BOARD for DVW-A510P/CA510P)

Ref. No. or Q'ty	Part No.	SP	Description
R2717	1-216-689-11	s	METAL, CHIP 39K 0.5% 1/10W (2125)
R2718	1-216-675-11	s	METAL, CHIP 10K 0.5% 1/10W (2125)
R2719	1-216-049-00	s	METAL, CHIP 1.0K 5% 1/10W (2125)
R2720	1-216-049-00	s	METAL, CHIP 1.0K 5% 1/10W (2125)
R2722	1-216-049-00	s	METAL, CHIP 1.0K 5% 1/10W (2125)
R2723	1-216-073-00	s	METAL, CHIP 10K 5% 1/10W (2125)
R2724	1-216-089-00	s	METAL, CHIP 47K 5% 1/10W (2125)
R2725	1-216-049-00	s	METAL, CHIP 1.0K 5% 1/10W (2125)
R2726	1-216-074-00	s	METAL, CHIP 11K 5% 1/10W (2125)
R2727	1-216-059-00	s	METAL, CHIP 2.7K 5% 1/10W (2125)
R2728	1-216-105-11	s	METAL, CHIP 220K 5% 1/10W (2125)
R2729	1-216-073-00	s	METAL, CHIP 10K 5% 1/10W (2125)
R2730	1-216-049-00	s	METAL, CHIP 1.0K 5% 1/10W (2125)
R2731	1-216-089-00	s	METAL, CHIP 47K 5% 1/10W (2125)
R2732	1-216-073-00	s	METAL, CHIP 10K 5% 1/10W (2125)
R2733	1-216-049-00	s	METAL, CHIP 1.0K 5% 1/10W (2125)
R2734	1-216-059-00	s	METAL, CHIP 2.7K 5% 1/10W (2125)
R2735	1-216-105-11	s	METAL, CHIP 220K 5% 1/10W (2125)
R2740	1-216-073-00	s	METAL, CHIP 10K 5% 1/10W (2125)
R2741	1-216-073-00	s	METAL, CHIP 10K 5% 1/10W (2125)
R2743	1-216-073-00	s	METAL, CHIP 10K 5% 1/10W (2125)
R2744	1-216-049-00	s	METAL, CHIP 1.0K 5% 1/10W (2125)
R2745	1-216-073-00	s	METAL, CHIP 10K 5% 1/10W (2125)
R2746	1-208-812-11	s	METAL, CHIP 18K 0.5% 1/10W (2125)
R2747	1-216-097-00	s	METAL, CHIP 100K 5% 1/10W (2125)
R2748	1-216-073-00	s	METAL, CHIP 10K 5% 1/10W (2125)
R2749	1-216-677-11	s	METAL, CHIP 12K 0.5% 1/10W (2125)
R2750	1-208-812-11	s	METAL, CHIP 18K 0.5% 1/10W (2125)
R2751	1-216-688-11	s	METAL, CHIP 36K 0.5% 1/10W
R2752	1-216-065-00	s	METAL, CHIP 4.7K 5% 1/10W (2125)
R2754	1-216-073-00	s	METAL, CHIP 10K 5% 1/10W (2125)
R2755	1-216-080-00	s	METAL, CHIP 20K 5% 1/10W (2125)
R3000	1-216-689-11	s	METAL, CHIP 39K 0.5% 1/10W (2125)
R3001	1-216-073-00	s	METAL, CHIP 10K 5% 1/10W (2125)
R3002	1-216-073-00	s	METAL, CHIP 10K 5% 1/10W (2125)
R3003	1-216-073-00	s	METAL, CHIP 10K 5% 1/10W (2125)
R3004	1-216-065-00	s	METAL, CHIP 4.7K 5% 1/10W (2125)
R3005	1-216-065-00	s	METAL, CHIP 4.7K 5% 1/10W (2125)
R3006	1-216-121-00	s	METAL, CHIP 1.0M 5% 1/10W (2125)
R3007	1-216-121-00	s	METAL, CHIP 1.0M 5% 1/10W (2125)
R3008	1-216-073-00	s	METAL, CHIP 10K 5% 1/10W (2125)
RB100	1-239-308-11	s	RESISTOR BLOCK, CHIP 47Kx8
RB101	1-239-308-11	s	RESISTOR BLOCK, CHIP 47Kx8
RB103	1-239-308-11	s	RESISTOR BLOCK, CHIP 47Kx8
RB105	1-239-464-11	s	RESISTOR BLOCK, CHIP 2.2Kx8
RB106	1-239-464-11	s	RESISTOR BLOCK, CHIP 2.2Kx8
RB107	1-239-464-11	s	RESISTOR BLOCK, CHIP 2.2Kx8
RB109	1-239-308-11	s	RESISTOR BLOCK, CHIP 47Kx8
RB110	1-239-308-11	s	RESISTOR BLOCK, CHIP 47Kx8
RB300	1-239-308-11	s	RESISTOR BLOCK, CHIP 47Kx8
RB301	1-239-308-11	s	RESISTOR BLOCK, CHIP 47Kx8
RB302	1-239-308-11	s	RESISTOR BLOCK, CHIP 47Kx8
RB304-307	1-239-308-11	s	RESISTOR BLOCK, CHIP 47Kx8
RB600	1-239-464-11	s	RESISTOR BLOCK, CHIP 2.2Kx8

## (SS-52B BOARD for DVW-A510P/CA510P)

Ref. No. or Q'ty	Part No.	SP	Description
RB700	1-239-308-11	s	RESISTOR BLOCK, CHIP 47Kx8
RB701	1-239-308-11	s	RESISTOR BLOCK, CHIP 47Kx8
RB800	1-236-904-11	s	RES, NETWORK, CHIP 1Kx4
RB802	1-239-412-11	s	RES, NETWORK, CHIP 100x4
RB803	1-236-904-11	s	RES, NETWORK, CHIP 1Kx4
RB804	1-239-306-11	s	RESISTOR BLOCK, CHIP 10Kx8
RB805-808	1-236-904-11	s	RES, NETWORK, CHIP 1Kx4
RB809	1-239-306-11	s	RESISTOR BLOCK, CHIP 10Kx8
RB810	1-239-412-11	s	RES, NETWORK, CHIP 100x4
RB901	1-236-904-11	s	RES, NETWORK, CHIP 1Kx4
RB902	1-236-904-11	s	RES, NETWORK, CHIP 1Kx4
RB903	1-236-908-11	s	RES, NETWORK, CHIP 10Kx4
RB2100-2103	1-239-419-11	s	RES, NETWORK, CHIP 470x4
RB2104-2107	1-239-308-11	s	RESISTOR BLOCK, CHIP 47Kx8
RV700	1-241-785-11	s	RES, ADJ, CERMET 10K
S100	1-692-536-11	s	SWITCH, DIP 8-CKT
S102	1-692-535-11	s	SWITCH, DIP 4-CKT
S300-302	1-572-473-11	s	SWITCH, PUSH
S303	1-692-535-11	s	SWITCH, DIP 4-CKT
S700	1-572-473-11	s	SWITCH, PUSH
S701	1-692-536-11	s	SWITCH, DIP 8-CKT
S2100	1-572-473-11	s	SWITCH, PUSH
S2101	1-692-536-11	s	SWITCH, DIP 8-CKT
X3	1-760-075-21	s	RESONATOR, CERAMIC 2.4570 MHz
X4	1-760-014-11	s	RESONATOR, CERAMIC 20.0 MHz
X500	1-579-993-21	s	CRYSTAL 13.50 MHz
X501	1-579-995-12	s	CRYSTAL 17.734475 MHz
X600	1-579-930-12	s	RESONATOR, CERAMIC 16.0 MHz
X700	1-579-996-21	s	RESONATOR, CERAMIC 20.0 MHz
X800	1-579-996-21	s	RESONATOR, CERAMIC 20.0 MHz
X2100	1-579-996-21	s	RESONATOR, CERAMIC 20.0 MHz
X2200	1-579-996-21	s	RESONATOR, CERAMIC 20.0 MHz

-----  
 SS-52B BOARD for DVW-510P  
 -----

(SS-52B BOARD for DVW-510P)

Ref. No. or Q'ty	Part No.	SP Description
1pc	A-8275-345-A	o MOUNTED CIRCUIT BOARD, SS-52BP
1pc	1-526-660-21	o SOCKET, IC (DP) 32P (For IC12)
1pc	*2 1-526-660-21	o SOCKET, IC (DP) 32P (For IC54)
	*1 1-526-659-00	o SOCKET, IC (DP) 28P (For IC54)
1pc	1-526-659-00	o SOCKET, IC (DP) 28P (For IC211)
1pc	1-526-662-21	o SOCKET, IC (DP) 40P (For IC761)
1pc	3-171-453-03	o PLATE (L), SHIELD, CARD
1pc	3-171-454-02	o SHEET (L), CARD
1pc	3-179-084-01	s LEVER (R), PC BOARD
1pc	3-179-085-01	s LEVER (L), PC BOARD
1pc	7-682-902-11	s SCREW +PWH 2.6x5
C100-103	1-163-037-11	s CERAMIC, CHIP 0.022uF 10% 25V
C105	1-163-037-11	s CERAMIC, CHIP 0.022uF 10% 25V
C106	1-163-037-11	s CERAMIC, CHIP 0.022uF 10% 25V
C108-113	1-163-037-11	s CERAMIC, CHIP 0.022uF 10% 25V
C114	1-135-076-21	s TANTALUM, CHIP 1.0uF 10% 35V
C115	1-163-037-11	s CERAMIC, CHIP 0.022uF 10% 25V
C200-211	1-163-037-11	s CERAMIC, CHIP 0.022uF 10% 25V
C213	1-163-037-11	s CERAMIC, CHIP 0.022uF 10% 25V
C215-218	1-126-947-11	s ELECT 47uF 20% 35V
C219	1-163-037-11	s CERAMIC, CHIP 0.022uF 10% 25V
C300-308	1-163-037-11	s CERAMIC, CHIP 0.022uF 10% 25V
C309	1-164-232-11	s CERAMIC, CHIP 0.01uF 10% 100V
C310	1-126-795-11	s ELECT 10uF 20% 50V
C311-314	1-163-037-11	s CERAMIC, CHIP 0.022uF 10% 25V
C400-403	1-163-037-11	s CERAMIC, CHIP 0.022uF 10% 25V
C406	1-163-037-11	s CERAMIC, CHIP 0.022uF 10% 25V
C500	1-163-235-11	s CERAMIC, CHIP 22pF 5% 50V (2125)
C501	1-163-235-11	s CERAMIC, CHIP 22pF 5% 50V (2125)
C502	1-163-037-11	s CERAMIC, CHIP 0.022uF 10% 25V
C503	1-163-235-11	s CERAMIC, CHIP 22pF 5% 50V (2125)
C504	1-163-037-11	s CERAMIC, CHIP 0.022uF 10% 25V
C505	1-126-947-11	s ELECT 47uF 20% 35V
C506	1-163-235-11	s CERAMIC, CHIP 22pF 5% 50V (2125)
C507	*b 1-126-382-11	s ELECT 100uF 20% 16V
	*a 1-126-934-11	s ELECT 220uF 20% 16V
C509-512	1-163-037-11	s CERAMIC, CHIP 0.022uF 10% 25V
C600	1-163-037-11	s CERAMIC, CHIP 0.022uF 10% 25V
C601	1-164-232-11	s CERAMIC, CHIP 0.01uF 10% 100V
C604-607	1-163-227-11	s CERAMIC, CHIP 10pF 5% 50V (2125)
C608	1-163-037-11	s CERAMIC, CHIP 0.022uF 10% 25V
C610-614	1-163-037-11	s CERAMIC, CHIP 0.022uF 10% 25V
C700	1-163-037-11	s CERAMIC, CHIP 0.022uF 10% 25V
C701	1-163-809-11	s CERAMIC, CHIP 0.047uF 10% 25V
C702-704	1-163-037-11	s CERAMIC, CHIP 0.022uF 10% 25V
C705	1-124-903-11	s ELECT 1.0uF 20% 50V
C706	1-126-947-11	s ELECT 47uF 20% 35V
C707	1-126-947-11	s ELECT 47uF 20% 35V
C708-710	1-163-037-11	s CERAMIC, CHIP 0.022uF 10% 25V
C711	1-163-809-11	s CERAMIC, CHIP 0.047uF 10% 25V
C712	1-126-933-11	s ELECT 100uF 20% 16V
C713	1-163-037-11	s CERAMIC, CHIP 0.022uF 10% 25V
C714	1-163-037-11	s CERAMIC, CHIP 0.022uF 10% 25V
C715	1-126-933-11	s ELECT 100uF 20% 16V
C716	1-126-933-11	s ELECT 100uF 20% 16V
C717	1-126-947-11	s ELECT 47uF 20% 35V
C718	1-126-947-11	s ELECT 47uF 20% 35V

-----  
 \*1: Board No. suffix 31 only  
 \*2: Board No. suffix 32 or higher  
 \*3: LOT No. 307 through 407

Ref. No. or Q'ty	Part No.	SP Description
C719	1-126-933-11	s ELECT 100uF 20% 16V
C720	1-163-251-11	s CERAMIC, CHIP 100pF 5% 50V (2125)
C721	1-163-251-11	s CERAMIC, CHIP 100pF 5% 50V (2125)
C722	1-163-037-11	s CERAMIC, CHIP 0.022uF 10% 25V (2125)
C723	1-163-251-11	s CERAMIC, CHIP 100pF 5% 50V (2125)
C724	1-163-251-11	s CERAMIC, CHIP 100pF 5% 50V (2125)
C725	1-163-091-00	s CERAMIC, CHIP 8pF 50V (2125))
C726	1-163-091-00	s CERAMIC, CHIP 8pF 50V (2125)
C727-739	1-163-037-11	s CERAMIC, CHIP 0.022uF 10% 25V (2125)
C740	1-135-177-21	s TANTALUM, CHIP 1.0uF 10% 25V
C741-743	1-163-037-11	s CERAMIC, CHIP 0.022uF 10% 25V (2125)
C744	1-163-809-11	s CERAMIC, CHIP 0.047uF 10% 25V (2125)
C745-748	1-163-037-11	s CERAMIC, CHIP 0.022uF 10% 25V (2125)
C749	1-124-903-11	s ELECT 1.0uF 20% 50V
C750	1-163-809-11	s CERAMIC, CHIP 0.047uF 10% 25V (2125)
C751	1-124-903-11	s ELECT 1.0uF 20% 50V
C752	1-135-177-21	s TANTALUM, CHIP 1.0uF 10% 25V
C800-803	1-163-275-11	s CERAMIC, CHIP 1000pF 5% 50V (2125)
C804	1-163-037-11	s CERAMIC, CHIP 0.022uF 10% 25V (2125)
C805	1-163-017-00	s CERAMIC, CHIP 4700pF 10% 50V (2125)
C806	1-163-227-11	s CERAMIC, CHIP 10pF 5% 50V (2125)
C807	1-163-227-11	s CERAMIC, CHIP 10pF 5% 50V (2125)
C808	1-163-037-11	s CERAMIC, CHIP 0.022uF 10% 25V (2125)
C809	1-164-232-11	s CERAMIC, CHIP 0.01uF 10% 100V (2125)
C810-831	1-163-037-11	s CERAMIC, CHIP 0.022uF 10% 25V (2125)
C832	1-164-232-11	s CERAMIC, CHIP 0.01uF 10% 100V (2125)
C833	1-164-232-11	s CERAMIC, CHIP 0.01uF 10% 100V (2125)
C834	1-163-275-11	s CERAMIC, CHIP 1000pF 5% 50V (2125)
C835	1-163-037-11	s CERAMIC, CHIP 0.022uF 10% 25V (2125)
C836	1-124-925-11	s ELECT 2.2uF 20% 100V
C837	1-124-925-11	s ELECT 2.2uF 20% 100V
C838	1-163-275-11	s CERAMIC, CHIP 1000pF 5% 50V (2125)
C839	1-163-037-11	s CERAMIC, CHIP 0.022uF 10% 25V (2125)
C840	1-163-037-11	s CERAMIC, CHIP 0.022uF 10% 25V (2125)
C841	1-164-004-11	s CERAMIC, CHIP 0.1uF 10% 25V (2125)
C842	1-164-004-11	s CERAMIC, CHIP 0.1uF 10% 25V (2125)
C843	1-163-275-11	s CERAMIC, CHIP 1000pF 5% 50V (2125)
C844	1-163-017-00	s CERAMIC, CHIP 4700pF 10% 50V (2125)
C845-850	1-163-037-11	s CERAMIC, CHIP 0.022uF 10% 25V (2125)
C901	1-163-037-11	s CERAMIC, CHIP 0.022uF 10% 25V (2125)
C1000	1-163-037-11	s CERAMIC, CHIP 0.022uF 10% 25V (2125)
C1100	*3 1-163-037-11	s CERAMIC, CHIP 0.022uF 10% 25V (2125)
C1101	*3 1-163-241-11	s CERAMIC, CHIP 39pF 5% 50V (2125)
C1102	*3 1-163-241-11	s CERAMIC, CHIP 39pF 5% 50V (2125)
C1103	*3 1-163-037-11	s CERAMIC, CHIP 0.022uF 10% 25V (2125)
C1104	*3 1-163-037-11	s CERAMIC, CHIP 0.022uF 10% 25V (2125)
C1105	*3 1-163-037-11	s CERAMIC, CHIP 0.022uF 10% 25V (2125)
C1119	*3 1-163-243-11	s CERAMIC, CHIP 47pF 5% 50V (2125)
C1121	*3 1-163-251-11	s CERAMIC, CHIP 100pF 5% 50V (2125)
C1134	*3 1-163-016-00	s CERAMIC, CHIP 3900pF 10% 50V (2125)
C1137	*3 1-163-251-11	s CERAMIC, CHIP 100pF 5% 50V (2125)
C1140	*3 1-163-037-11	s CERAMIC, CHIP 0.022uF 10% 25V (2125)
C1142	*3 1-163-037-11	s CERAMIC, CHIP 0.022uF 10% 25V (2125)
C1143	*3 1-163-275-11	s CERAMIC, CHIP 1000pF 5% 50V (2125)
C1144	*3 1-163-275-11	s CERAMIC, CHIP 1000pF 5% 50V (2125)
C1145	*3 1-163-275-11	s CERAMIC, CHIP 1000pF 5% 50V (2125)

-----  
 \*a: LOT No. 302 through 0C4  
 \*b: LOT No. 111 or higher



(SS-52B BOARD for DVW-510P)

(SS-52B BOARD for DVW-510P)

Ref. No. or Q'ty	Part No.	SP	Description
C1146	*3 1-163-037-11	s	CERAMIC, CHIP 0.022uF 10% 25V
C1147	*3 1-163-275-11	s	CERAMIC, CHIP 1000pF 5% 50V
C1148	*3 1-163-037-11	s	CERAMIC, CHIP 0.022uF 10% 25V
C1149	*3 1-163-275-11	s	CERAMIC, CHIP 1000pF 5% 50V
C1150	*3 1-163-275-11	s	CERAMIC, CHIP 1000pF 5% 50V
C1151	*3 1-163-135-00	s	CERAMIC, CHIP 560pF 5% 50V (2125)
C1154	*3 1-163-037-11	s	CERAMIC, CHIP 0.022uF 10% 25V
C1161	*3 1-126-933-11	s	ELECT 100uF 20% 16V
C1162	*3 1-126-933-11	s	ELECT 100uF 20% 16V
C1163	*3 1-163-037-11	s	CERAMIC, CHIP 0.022uF 10% 25V
C1164	*3 1-163-037-11	s	CERAMIC, CHIP 0.022uF 10% 25V
C1165	*3 1-164-004-11	s	CERAMIC, CHIP 0.1uF 10% 25V (2125)
C1166	*3 1-164-004-11	s	CERAMIC, CHIP 0.1uF 10% 25V
C1167	*3 1-164-232-11	s	CERAMIC, CHIP 0.01uF 10% 100V
C1168	*3 1-164-232-11	s	CERAMIC, CHIP 0.01uF 10% 100V
C1169	*3 1-126-933-11	s	ELECT 100uF 20% 16V
C1170	*3 1-126-933-11	s	ELECT 100uF 20% 16V
C1171	*3 1-163-037-11	s	CERAMIC, CHIP 0.022uF 10% 25V
C1172	*3 1-163-037-11	s	CERAMIC, CHIP 0.022uF 10% 25V
C1177	*3 1-163-037-11	s	CERAMIC, CHIP 0.022uF 10% 25V
C2100	*3 1-163-037-11	s	CERAMIC, CHIP 0.022uF 10% 25V
C2100	1-164-232-11	s	CERAMIC, CHIP 0.01uF 10% 100V
C2101	1-164-232-11	s	CERAMIC, CHIP 0.01uF 10% 100V
C2102	1-163-251-11	s	CERAMIC, CHIP 100pF 5% 50V (2125)
C2103	1-163-251-11	s	CERAMIC, CHIP 100pF 5% 50V
C2104-2109	1-164-232-11	s	CERAMIC, CHIP 0.01uF 10% 100V
C2110	1-126-933-11	s	ELECT 100uF 20% 16V
C2111	1-164-232-11	s	CERAMIC, CHIP 0.01uF 10% 100V
C2112	1-163-989-11	s	CERAMIC, CHIP 0.033uF 10% 25V
C2113-2119	1-164-232-11	s	CERAMIC, CHIP 0.01uF 10% 100V
C2121	1-164-232-11	s	CERAMIC, CHIP 0.01uF 10% 100V
C2124	1-164-232-11	s	CERAMIC, CHIP 0.01uF 10% 100V
C2125	1-163-227-11	s	CERAMIC, CHIP 10pF 5% 50V (2125)
C2126	1-163-227-11	s	CERAMIC, CHIP 10pF 5% 50V (2125)
C2127-2130	1-164-232-11	s	CERAMIC, CHIP 0.01uF 10% 100V
C2133-2136	1-164-232-11	s	CERAMIC, CHIP 0.01uF 10% 100V
C2140	1-164-232-11	s	CERAMIC, CHIP 0.01uF 10% 100V
C2141	1-164-232-11	s	CERAMIC, CHIP 0.01uF 10% 100V
C2142	1-164-232-11	s	CERAMIC, CHIP 0.01uF 10% 100V
C2200	1-163-227-11	s	CERAMIC, CHIP 10pF 5% 50V (2125)
C2201	1-163-227-11	s	CERAMIC, CHIP 10pF 5% 50V (2125)
C2202	1-164-232-11	s	CERAMIC, CHIP 0.01uF 10% 100V
C2205	1-164-232-11	s	CERAMIC, CHIP 0.01uF 10% 100V
C2207-2210	1-164-232-11	s	CERAMIC, CHIP 0.01uF 10% 100V
C2211	1-124-902-00	s	ELECT 4.7uF 20% 50V
C2212	1-164-232-11	s	CERAMIC, CHIP 0.01uF 10% 100V
C2213	1-163-227-11	s	CERAMIC, CHIP 10pF 5% 50V (2125)
C2214-2217	1-164-232-11	s	CERAMIC, CHIP 0.01uF 10% 100V
C2300	1-164-004-11	s	CERAMIC, CHIP 0.1uF 10% 25V

Ref. No. or Q'ty	Part No.	SP	Description
C2302	1-163-275-11	s	CERAMIC, CHIP 1000pF 5% 50V (2125)
C2303	1-164-232-11	s	CERAMIC, CHIP 0.01uF 10% 100V (2125)
C2304	1-164-232-11	s	CERAMIC, CHIP 0.01uF 10% 100V (2125)
C2305	1-163-037-11	s	CERAMIC, CHIP 0.022uF 10% 25V (2125)
C2306	1-164-232-11	s	CERAMIC, CHIP 0.01uF 10% 100V (2125)
C2307	1-163-016-00	s	CERAMIC, CHIP 3900pF 10% 50V (2125)
C2308	1-163-241-11	s	CERAMIC, CHIP 39pF 5% 50V (2125)
C2309	1-163-037-11	s	CERAMIC, CHIP 0.022uF 10% 25V (2125)
C2310	1-163-275-11	s	CERAMIC, CHIP 1000pF 5% 50V (2125)
C2311	1-164-004-11	s	CERAMIC, CHIP 0.1uF 10% 25V (2125)
C2312-2316	1-164-232-11	s	CERAMIC, CHIP 0.01uF 10% 100V (2125)
C2317	1-164-004-11	s	CERAMIC, CHIP 0.1uF 10% 25V (2125)
C2318-2321	1-164-232-11	s	CERAMIC, CHIP 0.01uF 10% 100V (2125)
C2322	1-164-004-11	s	CERAMIC, CHIP 0.1uF 10% 25V (2125)
C2323-2328	1-164-232-11	s	CERAMIC, CHIP 0.01uF 10% 100V (2125)
C2329	1-164-004-11	s	CERAMIC, CHIP 0.1uF 10% 25V (2125)
C2330	1-163-275-11	s	CERAMIC, CHIP 1000pF 5% 50V (2125)
C2331	1-163-016-00	s	CERAMIC, CHIP 3900pF 10% 50V (2125)
C2500	1-164-232-11	s	CERAMIC, CHIP 0.01uF 10% 100V (2125)
C2501	1-164-232-11	s	CERAMIC, CHIP 0.01uF 10% 100V (2125)
C2502	1-163-809-11	s	CERAMIC, CHIP 0.047uF 10% 25V (2125)
C2503	1-163-809-11	s	CERAMIC, CHIP 0.047uF 10% 25V (2125)
C2504-2507	1-163-018-00	s	CERAMIC, CHIP 5600pF 10% 50V (2125)
C2508-2511	1-164-232-11	s	CERAMIC, CHIP 0.01uF 10% 100V (2125)
C2512	1-163-133-00	s	CERAMIC, CHIP 470pF 5% 50V (2125)
C2513	1-163-133-00	s	CERAMIC, CHIP 470pF 5% 50V (2125)
C2514	1-164-004-11	s	CERAMIC, CHIP 0.1uF 10% 25V (2125)
C2515	1-164-232-11	s	CERAMIC, CHIP 0.01uF 10% 100V (2125)
C2518	1-164-004-11	s	CERAMIC, CHIP 0.1uF 10% 25V (2125)
C2519	1-164-232-11	s	CERAMIC, CHIP 0.01uF 10% 100V (2125)
C2520	1-164-232-11	s	CERAMIC, CHIP 0.01uF 10% 100V (2125)
C2523-2530	1-164-232-11	s	CERAMIC, CHIP 0.01uF 10% 100V (2125)
C2533	1-164-232-11	s	CERAMIC, CHIP 0.01uF 10% 100V (2125)
C2534	1-164-232-11	s	CERAMIC, CHIP 0.01uF 10% 100V (2125)
C2573	1-164-232-11	s	CERAMIC, CHIP 0.01uF 10% 100V (2125)
C2574	1-164-232-11	s	CERAMIC, CHIP 0.01uF 10% 100V (2125)
C2579	1-164-232-11	s	CERAMIC, CHIP 0.01uF 10% 100V (2125)
C2580	1-164-232-11	s	CERAMIC, CHIP 0.01uF 10% 100V (2125)
C2584	1-164-232-11	s	CERAMIC, CHIP 0.01uF 10% 100V (2125)
C2700	1-164-004-11	s	CERAMIC, CHIP 0.1uF 10% 25V (2125)
C2702	1-163-275-11	s	CERAMIC, CHIP 1000pF 5% 50V (2125)
C2703	1-164-232-11	s	CERAMIC, CHIP 0.01uF 10% 100V (2125)
C2704	1-164-232-11	s	CERAMIC, CHIP 0.01uF 10% 100V (2125)
C2705	1-163-037-11	s	CERAMIC, CHIP 0.022uF 10% 25V (2125)
C2706	1-164-232-11	s	CERAMIC, CHIP 0.01uF 10% 100V (2125)
C2707	1-163-016-00	s	CERAMIC, CHIP 3900pF 10% 50V (2125)
C2708	1-163-241-11	s	CERAMIC, CHIP 39pF 5% 50V (2125)
C2709	1-163-037-11	s	CERAMIC, CHIP 0.022uF 10% 25V (2125)

\*3: LOT No. 307 through 407

(SS-52B BOARD for DVW-510P)

Ref. No. or Q'ty	Part No.	SP	Description
C2710	1-163-275-11	s	CERAMIC, CHIP 1000pF 5% 50V
C2711	1-164-004-11	s	CERAMIC, CHIP 0.1uF 10% 25V
C2712-2716	1-164-232-11	s	CERAMIC, CHIP 0.01uF 10% 100V
C2717	1-164-004-11	s	CERAMIC, CHIP 0.1uF 10% 25V
C2718	1-164-232-11	s	CERAMIC, CHIP 0.01uF 10% 100V
C2719	1-164-232-11	s	CERAMIC, CHIP 0.01uF 10% 100V
C2720	1-164-232-11	s	CERAMIC, CHIP 0.01uF 10% 100V
C2721	1-164-004-11	s	CERAMIC, CHIP 0.1uF 10% 25V
C2722-2728	1-164-232-11	s	CERAMIC, CHIP 0.01uF 10% 100V
C2729	1-164-004-11	s	CERAMIC, CHIP 0.1uF 10% 25V
C3000	1-163-809-11	s	CERAMIC, CHIP 0.047uF 10% 25V
C3001	1-163-809-11	s	CERAMIC, CHIP 0.047uF 10% 25V
C3002	1-164-004-11	s	CERAMIC, CHIP 0.1uF 10% 25V
CN2	1-506-484-11	s	CONNECTOR, 5P, MALE
CN122	1-573-600-21	s	CONNECTOR, PHEC 100P, MALE
CN123	1-573-600-21	s	CONNECTOR, PHEC 100P, MALE
CN124	1-573-600-21	s	CONNECTOR, PHEC 100P, MALE
CN700	1-506-484-11	s	CONNECTOR, 5P, MALE
CN701	1-506-486-11	s	CONNECTOR, 7P, MALE
CN2101	1-506-484-11	s	CONNECTOR, 5P, MALE
D100	8-719-024-81	s	DIODE 1SS300
D201	8-719-404-35	s	DIODE MA141WK
D202	8-719-210-33	s	DIODE EC10DS2
D203	8-719-210-33	s	DIODE EC10DS2
D300	8-719-026-16	s	LED CL-150D-CD, ORG
D301	8-719-026-16	s	LED CL-150D-CD, ORG
D600	8-719-404-35	s	DIODE MA141WK
D601	8-719-026-16	s	LED CL-150D-CD, ORG
D700	8-719-941-23	s	DIODE DA204U
D701	8-719-941-23	s	DIODE DA204U
D703	8-729-028-24	s	DIODE 1SS154
D704-710	8-719-941-23	s	DIODE DA204U
D711	8-719-026-16	s	LED CL-150D-CD, ORG
D800	8-719-026-16	s	LED CL-150D-CD, ORG
D801	8-719-024-81	s	DIODE 1SS300
D1103 *3	8-719-938-72	s	DIODE SB01-05CP
D2101-2108	8-719-941-23	s	DIODE DA204U
D2109	8-719-026-16	s	LED CL-150D-CD, ORG
D2110	8-719-024-81	s	DIODE 1SS300
D2300	8-719-938-72	s	DIODE SB01-05CP
D2301	8-719-938-72	s	DIODE SB01-05CP
D2302	8-719-941-23	s	DIODE DA204U
D2500-2503	8-719-941-23	s	DIODE DA204U
D2700	8-719-938-72	s	DIODE SB01-05CP
D2701	8-719-938-72	s	DIODE SB01-05CP
D2702	8-719-941-23	s	DIODE DA204U
IC1	8-759-673-42	s	IC MM74HC04SJX
IC2	8-759-925-79	s	IC SN74HC11ANS
IC3	8-759-632-39	s	IC M51958A
IC5	8-759-178-16	s	IC UPD70325GJ-10-5BG

\*1: Board No. suffix 31 only  
 \*3: LOT No. 307 through 407

(SS-52B BOARD for DVW-510P)

Ref. No. or Q'ty	Part No.	SP	Description
IC6	8-759-673-51	s	IC MM74HC32SJX
IC7	8-759-175-55	s	IC CXD8805Q
IC8	8-759-053-58	s	IC IDT6116SA25S0
IC10	8-759-296-24	s	IC CY7C199-20VC
IC11	8-759-674-43	s	IC MM74HCT244SJX
IC12	*6 8-759-684-42	o	IC M27C2001-SYS1-V422, EP-ROM
	*5 8-759-476-63	o	IC M27C2001-SYS1-V411, EP-ROM
	*1 8-759-335-79	o	IC M27C2001-SYS1-V210, EP-ROM
IC15	8-759-175-72	s	IC UPD72002GB-11-3B4
IC16	8-759-143-23	s	IC UPD71059GB-3B4
IC17	8-759-925-78	s	IC SN74HC10ANS
IC18	8-759-031-69	s	IC MC1488M
IC19	8-759-170-73	s	IC TA78L12S
IC20	8-759-700-69	s	IC NJM79L12A
IC21	8-759-031-68	s	IC MC1489AM
IC22	8-759-554-69	s	IC LC3564BM-10-TLM
IC23	8-759-174-16	s	IC TC74VHC244F
IC24	8-759-674-43	s	IC MM74HCT244SJX
IC25	8-759-175-56	s	IC CXD8804Q
IC26	8-759-554-69	s	IC LC3564BM-10-TLM
IC27	8-759-175-56	s	IC CXD8804Q
IC28	8-759-569-65	s	IC BH3863F-E2
IC29	8-759-475-22	s	IC TC74LCX245F(EL)
IC30	8-759-475-22	s	IC TC74LCX245F(EL)
IC31	8-759-673-48	s	IC MM74HC14SJX
IC32	8-759-673-48	s	IC MM74HC14SJX
IC34	8-759-095-41	s	IC CXD8176AQ
IC35	8-759-053-58	s	IC IDT6116SA25S0
IC37	8-759-095-41	s	IC CXD8176AQ
IC38	8-759-053-58	s	IC IDT6116SA25S0
IC39	8-759-569-65	s	IC BH3863F-E2
IC41	8-759-174-16	s	IC TC74VHC244F
IC42	8-759-175-77	s	IC CXD8384Q
IC43	8-759-673-57	s	IC MM74HC86SJX
IC45	8-759-673-51	s	IC MM74HC32SJX
IC46	8-759-500-93	s	IC MB90061-111
IC47	8-759-673-45	s	IC MM74HC08SJX
IC48	8-759-923-64	s	IC AM26LS32ACNS
IC49	8-759-479-32	s	IC SN75C1168NS (E05)
IC50	8-759-175-78	s	IC Z8401510FEC
IC52	8-759-554-69	s	IC LC3564BM-10-TLM
IC53	8-759-175-94	s	IC CXD8813Q
IC54	*6 8-759-665-05	o	IC M27C2001-SYS2-V412, EP-ROM
	*5 8-759-476-64	o	IC M27C2001-SYS2-V411, EP-ROM
	*1 8-759-281-53	o	IC M27C512-SYS2-V130, EP-ROM
IC55	8-759-092-26	s	IC DS3691M
IC56	8-759-992-43	s	IC 74F174SJ
IC211	8-759-352-42	o	IC TMS27C512-DT-V202, EP-ROM
IC700	8-752-853-39	s	IC CXP80620-480Q
IC702	8-759-925-05	s	IC LM2903PS
IC747	8-759-100-94	s	IC UPC358G2
IC748	8-759-300-71	s	IC HD14053BFP
IC749	8-759-009-05	s	IC MC14051BF
IC750	8-759-348-69	s	IC HD6415108RF10
IC751	8-759-053-58	s	IC IDT6116SA25S0
IC752	8-759-673-42	s	IC MM74HC04SJX

\*5: LOT No. 410 through 909  
 \*6: LOT No. 910 or higher

## (SS-52B BOARD for DVW-510P)

Ref. No. or Q'ty	Part No.	SP	Description
IC753	8-759-186-29	s	IC TC74VHC11F
IC754	8-759-925-83	s	IC SN74HC27ANS
IC755	8-759-185-70	s	IC TC74VHC32F(EL)
IC756	8-759-185-79	s	IC TC74VHC138F(EL)
IC757	8-759-673-71	s	IC MM74HC138SJX
IC758	8-759-053-58	s	IC IDT6116SA25S0
IC759	8-759-081-49	s	IC TC74VHC08F(EL)
IC760	8-759-673-45	s	IC MM74HC08SJX
IC761	*6 8-759-665-06	o	IC M27C4002-SV-V215, EP-ROM
	*4 8-759-425-07	o	IC M27C4002-SV-V214, EP-ROM
IC762	8-752-381-84	s	IC CXD1095BQ
IC763	8-759-300-71	s	IC HD14053BFP
IC764	8-759-009-51	s	IC MC14538BF
IC765	8-759-100-95	s	IC UPC324G2
IC766	8-759-300-71	s	IC HD14053BFP
IC767	8-759-009-05	s	IC MC14051BF
IC768	8-759-925-05	s	IC LM2903PS
IC769	8-759-926-37	s	IC SN74HC193ANS
IC770	8-759-673-57	s	IC MM74HC86SJX
IC771	8-759-300-71	s	IC HD14053BFP
IC772	8-759-009-51	s	IC MC14538BF
IC773	8-759-673-54	s	IC MM74HC74ASJX
IC774	8-752-343-05	s	IC CXD2202Q
IC775	8-759-300-71	s	IC HD14053BFP
IC776	8-759-908-17	s	IC TL082CPS
IC777	8-759-908-17	s	IC TL082CPS
IC778	8-759-569-65	s	IC BH3863F-E2
IC779	8-759-174-16	s	IC TC74VHC244F
IC780	8-759-174-16	s	IC TC74VHC244F
IC781	8-759-174-16	s	IC TC74VHC244F
IC782	8-752-381-84	s	IC CXD1095BQ
IC783	8-759-239-14	s	IC TA78L05S
IC800	8-759-300-71	s	IC HD14053BFP
IC801	8-759-673-42	s	IC MM74HC04SJX
IC802	8-759-009-51	s	IC MC14538BF
IC1004	8-759-174-16	s	IC TC74VHC244F
IC1101*3	8-759-300-71	s	IC HD14053BFP
IC1102*3	8-759-112-53	s	IC UPC1663G
IC1107*3	8-759-700-95	s	IC NJM1496M
IC1108*3	8-759-908-17	s	IC TL082CPS
IC1112*3	8-759-708-05	s	IC NJM78L05A
IC1113*3	8-759-700-65	s	IC NJM79L05A
IC2100	8-759-673-42	s	IC MM74HC04SJX
IC2101	8-759-906-54	s	IC TL064CNS
IC2103	8-759-906-54	s	IC TL064CNS
IC2104	8-759-175-67	s	IC MB90T736
IC2106	8-759-926-49	s	IC SN74HC245ANS
IC2107	8-759-926-77	s	IC SN74HC541ANS
IC2108	8-759-996-06	s	IC CXD8115Q
IC2109	8-752-381-84	s	IC CXD1095BQ
IC2113	8-759-095-41	s	IC CXD8176AQ
IC2114	8-759-239-74	s	IC TC74HC4520AF
IC2115	8-759-053-58	s	IC IDT6116SA25S0
IC2200	8-752-343-05	s	IC CXD2202Q
IC2202	8-759-113-55	s	IC UPD71054GB-3B4
IC2204	8-759-113-55	s	IC UPD71054GB-3B4
IC2205	8-759-673-51	s	IC MM74HC32SJX

\*3: LOT No. 307 through 407

\*4: LOT No. 307 through 909

\*6: LOT No. 910 or higher

## (SS-52B BOARD for DVW-510P)

Ref. No. or Q'ty	Part No.	SP	Description
IC2207	8-759-113-55	s	IC UPD71054GB-3B4
IC2208	8-759-300-71	s	IC HD14053BFP
IC2209	8-759-673-45	s	IC MM74HC08SJX
IC2210	8-759-946-12	s	IC AD7528JN
IC2300	8-759-908-92	s	IC TL084CNS
IC2301	8-759-906-54	s	IC TL064CNS
IC2302	8-759-906-54	s	IC TL064CNS
IC2303	8-759-300-71	s	IC HD14053BFP
IC2304	8-759-300-71	s	IC HD14053BFP
IC2305	8-759-906-54	s	IC TL064CNS
IC2500	8-759-906-54	s	IC TL064CNS
IC2501	8-759-300-71	s	IC HD14053BFP
IC2502	8-759-906-54	s	IC TL064CNS
IC2503	8-759-906-54	s	IC TL064CNS
IC2504	8-759-300-71	s	IC HD14053BFP
IC2505	8-759-906-54	s	IC TL064CNS
IC2506	8-759-906-54	s	IC TL064CNS
IC2507	8-759-300-71	s	IC HD14053BFP
IC2508	8-759-906-54	s	IC TL064CNS
IC2700	8-759-908-92	s	IC TL084CNS
IC2701	8-759-906-54	s	IC TL064CNS
IC2702	8-759-906-54	s	IC TL064CNS
IC2703	8-759-300-71	s	IC HD14053BFP
IC2704	8-759-300-71	s	IC HD14053BFP
IC2705	8-759-906-54	s	IC TL064CNS
L301	1-410-803-11	s	INDUCTOR, CHIP 0.047uH
L700-703	1-412-533-21	s	INDUCTOR 47uH
L1101 *3	1-410-385-11	s	INDUCTOR, CHIP 22uH
L1114 *3	1-410-388-31	s	INDUCTOR, CHIP 39uH
L1115-1118			
*3	1-412-533-21	s	INDUCTOR 47uH
L2103	1-412-533-21	s	INDUCTOR 47uH
Q200	8-729-905-18	s	TRANSISTOR DTC144EU
Q500	8-729-143-07	s	TRANSISTOR 2SA1610-Y33
Q700	8-729-106-68	s	TRANSISTOR 2SC1615A-GP
Q701	8-729-106-60	s	TRANSISTOR 2SB1115A
Q702	8-729-905-18	s	TRANSISTOR DTC144EU
Q1105 *3	8-729-117-72	s	TRANSISTOR 2SC4178-F13
Q1106 *3	8-729-117-72	s	TRANSISTOR 2SC4178-F13
R100	1-216-049-00	s	METAL, CHIP 1.0K 5% 1/10W (2125)
R101-105	1-216-089-00	s	METAL, CHIP 47K 5% 1/10W (2125)
R106-108	1-216-057-00	s	METAL, CHIP 2.2K 5% 1/10W (2125)
R109-113	1-216-073-00	s	METAL, CHIP 10K 5% 1/10W (2125)
R114	1-216-057-00	s	METAL, CHIP 2.2K 5% 1/10W (2125)
R115	1-216-089-00	s	METAL, CHIP 47K 5% 1/10W (2125)
R116	1-216-073-00	s	METAL, CHIP 10K 5% 1/10W (2125)
R117-125	1-216-089-00	s	METAL, CHIP 47K 5% 1/10W (2125)
R128	1-216-089-00	s	METAL, CHIP 47K 5% 1/10W (2125)
R130	1-216-689-11	s	METAL, CHIP 39K 0.5% 1/10W (2125)
R131	1-208-811-11	s	METAL, CHIP 16K 0.5% 1/10W (2125)
R171	1-216-025-00	s	METAL, CHIP 100 5% 1/10W (2125)
R172	1-216-025-00	s	METAL, CHIP 100 5% 1/10W (2125)
R176-178	1-216-295-00	s	METAL, CHIP 0 (2125)
R179	1-216-073-00	s	METAL, CHIP 10K 5% 1/10W (2125)
R190	1-216-089-00	s	METAL, CHIP 47K 5% 1/10W (2125)

## (SS-52B BOARD for DVW-510P)

Ref. No. or Q'ty	Part No.	SP	Description
R200	1-216-073-00	s	METAL, CHIP 10K 5% 1/10W (2125)
R201-204	1-216-077-00	s	METAL, CHIP 15K 5% 1/10W (2125)
R205-208	1-216-089-00	s	METAL, CHIP 47K 5% 1/10W (2125)
R209	1-216-295-00	s	METAL, CHIP 0 (2125)
R210-212	1-216-089-00	s	METAL, CHIP 47K 5% 1/10W (2125)
R300-308	1-216-089-00	s	METAL, CHIP 47K 5% 1/10W (2125)
R324	1-216-033-00	s	METAL, CHIP 220 5% 1/10W (2125)
R325	1-216-295-00	s	METAL, CHIP 0 (2125)
R326	1-216-033-00	s	METAL, CHIP 220 5% 1/10W (2125)
R327	1-216-033-00	s	METAL, CHIP 220 5% 1/10W (2125)
R328	1-216-089-00	s	METAL, CHIP 47K 5% 1/10W (2125)
R332	1-216-047-00	s	METAL, CHIP 820 5% 1/10W (2125)
R333	1-216-097-00	s	METAL, CHIP 100K 5% 1/10W (2125)
R334	1-216-097-00	s	METAL, CHIP 100K 5% 1/10W (2125)
R339-341	1-216-097-00	s	METAL, CHIP 100K 5% 1/10W (2125)
R346-348	1-216-097-00	s	METAL, CHIP 100K 5% 1/10W (2125)
R358	1-216-047-00	s	METAL, CHIP 820 5% 1/10W (2125)
R359	1-216-089-00	s	METAL, CHIP 47K 5% 1/10W (2125)
R400	1-216-089-00	s	METAL, CHIP 47K 5% 1/10W (2125)
R401	1-216-089-00	s	METAL, CHIP 47K 5% 1/10W (2125)
R402	1-216-073-00	s	METAL, CHIP 10K 5% 1/10W (2125)
R403	1-216-089-00	s	METAL, CHIP 47K 5% 1/10W (2125)
R404	1-216-089-00	s	METAL, CHIP 47K 5% 1/10W (2125)
R405	1-216-073-00	s	METAL, CHIP 10K 5% 1/10W (2125)
R500	1-216-057-00	s	METAL, CHIP 2.2K 5% 1/10W (2125)
R501	1-216-057-00	s	METAL, CHIP 2.2K 5% 1/10W (2125)
R502	1-216-065-00	s	METAL, CHIP 4.7K 5% 1/10W (2125)
R503	1-216-065-00	s	METAL, CHIP 4.7K 5% 1/10W (2125)
R504	1-216-037-00	s	METAL, CHIP 330 5% 1/10W (2125)
R505	1-216-121-00	s	METAL, CHIP 1.0M 5% 1/10W (2125)
R506-512	1-216-089-00	s	METAL, CHIP 47K 5% 1/10W (2125)
R513	1-216-033-00	s	METAL, CHIP 220 5% 1/10W (2125)
R514	1-216-021-00	s	METAL, CHIP 68 5% 1/10W (2125)
R515	1-216-029-00	s	METAL, CHIP 150 5% 1/10W (2125)
R517-521	1-216-295-00	s	METAL, CHIP 0 (2125)
R532	1-216-049-00	s	METAL, CHIP 1.0K 5% 1/10W (2125)
R600-602	1-216-065-00	s	METAL, CHIP 4.7K 5% 1/10W (2125)
R604	1-216-025-00	s	METAL, CHIP 100 5% 1/10W (2125)
R606 *1	1-216-295-00	s	METAL, CHIP 0 (2125)
R607	1-216-073-00	s	METAL, CHIP 10K 5% 1/10W (2125)
R608	1-216-077-00	s	METAL, CHIP 15K 5% 1/10W (2125)
R609	1-216-097-00	s	METAL, CHIP 100K 5% 1/10W (2125)
R610	1-216-077-00	s	METAL, CHIP 15K 5% 1/10W (2125)
R611	1-216-097-00	s	METAL, CHIP 100K 5% 1/10W (2125)
R612	1-216-077-00	s	METAL, CHIP 15K 5% 1/10W (2125)
R613	1-216-097-00	s	METAL, CHIP 100K 5% 1/10W (2125)
R614	1-216-077-00	s	METAL, CHIP 15K 5% 1/10W (2125)
R615	1-216-097-00	s	METAL, CHIP 100K 5% 1/10W (2125)
R616-618	1-216-073-00	s	METAL, CHIP 10K 5% 1/10W (2125)
R619	1-216-065-00	s	METAL, CHIP 4.7K 5% 1/10W (2125)
R620	1-216-077-00	s	METAL, CHIP 15K 5% 1/10W (2125)
R621	1-216-045-00	s	METAL, CHIP 680 5% 1/10W (2125)
R622	1-216-025-00	s	METAL, CHIP 100 5% 1/10W (2125)
R625	1-216-077-00	s	METAL, CHIP 15K 5% 1/10W (2125)
R626	1-216-077-00	s	METAL, CHIP 15K 5% 1/10W (2125)
R627	1-216-097-00	s	METAL, CHIP 100K 5% 1/10W (2125)

\*1: Board No. suffix 31 only

## (SS-52B BOARD for DVW-510P)

Ref. No. or Q'ty	Part No.	SP	Description
R628	1-216-097-00	s	METAL, CHIP 100K 5% 1/10W (2125)
R700-702	1-216-073-00	s	METAL, CHIP 10K 5% 1/10W (2125)
R703	1-216-097-00	s	METAL, CHIP 100K 5% 1/10W (2125)
R704	1-216-097-00	s	METAL, CHIP 100K 5% 1/10W (2125)
R705	1-216-085-00	s	METAL, CHIP 33K 5% 1/10W (2125)
R707	1-216-025-00	s	METAL, CHIP 100 5% 1/10W (2125)
R708	1-216-073-00	s	METAL, CHIP 10K 5% 1/10W (2125)
R709	1-216-295-00	s	METAL, CHIP 0 (2125)
R710	1-218-478-11	s	METAL, CHIP 330 5% 1/4W (3225)
R711	1-218-478-11	s	METAL, CHIP 330 5% 1/4W (3225)
R712	1-216-109-00	s	METAL, CHIP 330K 5% 1/10W (2125)
R713-715	1-216-073-00	s	METAL, CHIP 10K 5% 1/10W (2125)
R716	1-216-295-00	s	METAL, CHIP 0 (2125)
R717	1-216-085-00	s	METAL, CHIP 33K 5% 1/10W (2125)
R718	1-216-109-00	s	METAL, CHIP 330K 5% 1/10W (2125)
R719-721	1-216-073-00	s	METAL, CHIP 10K 5% 1/10W (2125)
R722-724	1-216-089-00	s	METAL, CHIP 47K 5% 1/10W (2125)
R725-727	1-216-295-00	s	METAL, CHIP 0 (2125)
R728	1-216-073-00	s	METAL, CHIP 10K 5% 1/10W (2125)
R729	1-216-097-00	s	METAL, CHIP 100K 5% 1/10W (2125)
R731	1-216-089-00	s	METAL, CHIP 47K 5% 1/10W (2125)
R732	1-216-089-00	s	METAL, CHIP 47K 5% 1/10W (2125)
R733	1-216-025-00	s	METAL, CHIP 100 5% 1/10W (2125)
R734	1-216-025-00	s	METAL, CHIP 100 5% 1/10W (2125)
R735	1-216-073-00	s	METAL, CHIP 10K 5% 1/10W (2125)
R736	1-216-089-00	s	METAL, CHIP 47K 5% 1/10W (2125)
R737	1-216-114-00	s	METAL, CHIP 510K 5% 1/10W (2125)
R738	1-216-073-00	s	METAL, CHIP 10K 5% 1/10W (2125)
R739	1-216-049-00	s	METAL, CHIP 1.0K 5% 1/10W (2125)
R740	1-216-114-00	s	METAL, CHIP 510K 5% 1/10W (2125)
R741	1-216-049-00	s	METAL, CHIP 1.0K 5% 1/10W (2125)
R742	1-216-074-00	s	METAL, CHIP 11K 5% 1/10W (2125)
R743	1-216-074-00	s	METAL, CHIP 11K 5% 1/10W (2125)
R744	1-216-049-00	s	METAL, CHIP 1.0K 5% 1/10W (2125)
R745	1-216-073-00	s	METAL, CHIP 10K 5% 1/10W (2125)
R746	1-216-089-00	s	METAL, CHIP 47K 5% 1/10W (2125)
R747	1-216-073-00	s	METAL, CHIP 10K 5% 1/10W (2125)
R748	1-216-089-00	s	METAL, CHIP 47K 5% 1/10W (2125)
R749	1-216-074-00	s	METAL, CHIP 11K 5% 1/10W (2125)
R750	1-216-073-00	s	METAL, CHIP 10K 5% 1/10W (2125)
R751	1-216-074-00	s	METAL, CHIP 11K 5% 1/10W (2125)
R752	1-216-073-00	s	METAL, CHIP 10K 5% 1/10W (2125)
R753	1-216-045-00	s	METAL, CHIP 680 5% 1/10W (2125)
R754	1-216-089-00	s	METAL, CHIP 47K 5% 1/10W (2125)
R755	1-216-295-00	s	METAL, CHIP 0 (2125)
R800	1-216-001-00	s	METAL, CHIP 10 5% 1/10W (2125)
R801	1-216-295-00	s	METAL, CHIP 0 (2125)
R802-805	1-216-073-00	s	METAL, CHIP 10K 5% 1/10W (2125)
R806	1-216-025-00	s	METAL, CHIP 100 5% 1/10W (2125)
R807	1-216-073-00	s	METAL, CHIP 10K 5% 1/10W (2125)
R808	1-216-089-00	s	METAL, CHIP 47K 5% 1/10W (2125)
R809	1-216-089-00	s	METAL, CHIP 47K 5% 1/10W (2125)
R810	1-216-073-00	s	METAL, CHIP 10K 5% 1/10W (2125)
R811	1-216-061-00	s	METAL, CHIP 3.3K 5% 1/10W (2125)
R812	1-216-081-00	s	METAL, CHIP 22K 5% 1/10W (2125)
R813	1-216-081-00	s	METAL, CHIP 22K 5% 1/10W (2125)

## (SS-52B BOARD for DVW-510P)

Ref. No. or Q'ty	Part No.	SP	Description
R814	1-216-073-00	s	METAL, CHIP 10K 5% 1/10W (2125)
R815	1-216-057-00	s	METAL, CHIP 2.2K 5% 1/10W (2125)
R816	1-216-073-00	s	METAL, CHIP 10K 5% 1/10W (2125)
R817	1-216-057-00	s	METAL, CHIP 2.2K 5% 1/10W (2125)
R818	1-216-085-00	s	METAL, CHIP 33K 5% 1/10W (2125)
R819	1-216-109-00	s	METAL, CHIP 330K 5% 1/10W (2125)
R820	1-216-073-00	s	METAL, CHIP 10K 5% 1/10W (2125)
R821	1-216-073-00	s	METAL, CHIP 10K 5% 1/10W (2125)
R822	1-216-057-00	s	METAL, CHIP 2.2K 5% 1/10W (2125)
R823	1-216-057-00	s	METAL, CHIP 2.2K 5% 1/10W (2125)
R824	1-216-073-00	s	METAL, CHIP 10K 5% 1/10W (2125)
R825	1-216-295-00	s	METAL, CHIP 0 (2125)
R826	1-216-049-00	s	METAL, CHIP 1.0K 5% 1/10W (2125)
R827	1-216-037-00	s	METAL, CHIP 330 5% 1/10W (2125)
R828	1-216-105-11	s	METAL, CHIP 220K 5% 1/10W (2125)
R829	1-216-073-00	s	METAL, CHIP 10K 5% 1/10W (2125)
R830	1-216-105-11	s	METAL, CHIP 220K 5% 1/10W (2125)
R831	1-216-085-00	s	METAL, CHIP 33K 5% 1/10W (2125)
R832-835	1-216-295-00	s	METAL, CHIP 0 (2125)
R836	1-216-025-00	s	METAL, CHIP 100 5% 1/10W (2125)
R837	1-216-065-00	s	METAL, CHIP 4.7K 5% 1/10W (2125)
R838	1-216-295-00	s	METAL, CHIP 0 (2125)
R839	1-216-295-00	s	METAL, CHIP 0 (2125)
R840	1-216-025-00	s	METAL, CHIP 100 5% 1/10W (2125)
R841	1-216-295-00	s	METAL, CHIP 0 (2125)
R842	1-216-025-00	s	METAL, CHIP 100 5% 1/10W (2125)
R843	1-216-295-00	s	METAL, CHIP 0 (2125)
R844	1-216-295-00	s	METAL, CHIP 0 (2125)
R845	1-216-081-00	s	METAL, CHIP 22K 5% 1/10W (2125)
R846	1-216-049-00	s	METAL, CHIP 1.0K 5% 1/10W (2125)
R847	1-216-081-00	s	METAL, CHIP 22K 5% 1/10W (2125)
R848	1-216-025-00	s	METAL, CHIP 100 5% 1/10W (2125)
R849	1-216-295-00	s	METAL, CHIP 0 (2125)
R850	1-216-025-00	s	METAL, CHIP 100 5% 1/10W (2125)
R851	1-216-025-00	s	METAL, CHIP 100 5% 1/10W (2125)
R852	1-216-049-00	s	METAL, CHIP 1.0K 5% 1/10W (2125)
R853-859	1-216-295-00	s	METAL, CHIP 0 (2125)
R861-865	1-216-295-00	s	METAL, CHIP 0 (2125)
R866	1-216-081-00	s	METAL, CHIP 22K 5% 1/10W (2125)
R867	1-216-073-00	s	METAL, CHIP 10K 5% 1/10W (2125)
R868	1-216-097-00	s	METAL, CHIP 100K 5% 1/10W (2125)
R869	1-216-295-00	s	METAL, CHIP 0 (2125)
R870	1-216-295-00	s	METAL, CHIP 0 (2125)
R871	1-216-073-00	s	METAL, CHIP 10K 5% 1/10W (2125)
R879	1-216-073-00	s	METAL, CHIP 10K 5% 1/10W (2125)
R885	1-216-073-00	s	METAL, CHIP 10K 5% 1/10W (2125)
R886	1-216-057-00	s	METAL, CHIP 2.2K 5% 1/10W (2125)
R887-891	1-216-073-00	s	METAL, CHIP 10K 5% 1/10W (2125)
R900	1-216-295-00	s	METAL, CHIP 0 (2125)
R901	1-216-089-00	s	METAL, CHIP 47K 5% 1/10W (2125)
R902	1-216-089-00	s	METAL, CHIP 47K 5% 1/10W (2125)
R903	1-216-089-00	s	METAL, CHIP 47K 5% 1/10W (2125)
R904	1-216-295-00	s	METAL, CHIP 0 (2125)
R905-907	1-216-097-00	s	METAL, CHIP 100K 5% 1/10W (2125)
R908	1-216-295-00	s	METAL, CHIP 0 (2125)
R909	1-216-065-00	s	METAL, CHIP 4.7K 5% 1/10W (2125)

## (SS-52B BOARD for DVW-510P)

Ref. No. or Q'ty	Part No.	SP	Description
R912	*2 1-216-073-00	s	METAL, CHIP 10K 5% 1/10W (2125)
R913	*2 1-216-073-00	s	METAL, CHIP 10K 5% 1/10W (2125)
R914	*2 1-216-073-00	s	METAL, CHIP 10K 5% 1/10W (2125)
R928-931	1-216-295-00	s	METAL, CHIP 0 (2125)
R934	1-216-295-00	s	METAL, CHIP 0 (2125)
R1001	1-216-295-00	s	METAL, CHIP 0 (2125)
R1003	1-216-295-00	s	METAL, CHIP 0 (2125)
R1004	1-216-295-00	s	METAL, CHIP 0 (2125)
R1100	*3 1-216-069-00	s	METAL, CHIP 6.8K 5% 1/10W (2125)
R1101	*3 1-216-033-00	s	METAL, CHIP 220 5% 1/10W (2125)
R1102	*3 1-216-033-00	s	METAL, CHIP 220 5% 1/10W (2125)
R1103	*3 1-216-045-00	s	METAL, CHIP 680 5% 1/10W (2125)
R1104	*3 1-216-045-00	s	METAL, CHIP 680 5% 1/10W (2125)
R1105	*3 1-216-029-00	s	METAL, CHIP 150 5% 1/10W (2125)
R1106	*3 1-216-047-00	s	METAL, CHIP 820 5% 1/10W (2125)
R1107	*3 1-216-033-00	s	METAL, CHIP 220 5% 1/10W (2125)
R1108	*3 1-216-033-00	s	METAL, CHIP 220 5% 1/10W (2125)
R1146	*3 1-216-057-00	s	METAL, CHIP 2.2K 5% 1/10W (2125)
R1151	*3 1-216-073-00	s	METAL, CHIP 10K 5% 1/10W (2125)
R1154	*3 1-216-041-00	s	METAL, CHIP 470 5% 1/10W (2125)
R1155	*3 1-216-049-00	s	METAL, CHIP 1.0K 5% 1/10W (2125)
R1158	*3 1-216-066-00	s	METAL, CHIP 5.1K 5% 1/10W (2125)
R1159	*3 1-216-013-00	s	METAL, CHIP 33 5% 1/10W (2125)
R1160	*3 1-216-057-00	s	METAL, CHIP 2.2K 5% 1/10W (2125)
R1161	*3 1-216-053-00	s	METAL, CHIP 1.5K 5% 1/10W (2125)
R1162	*3 1-216-059-00	s	METAL, CHIP 2.7K 5% 1/10W (2125)
R1163	*3 1-216-061-00	s	METAL, CHIP 3.3K 5% 1/10W (2125)
R1164	*3 1-216-043-00	s	METAL, CHIP 560 5% 1/10W (2125)
R1165	*3 1-216-043-00	s	METAL, CHIP 560 5% 1/10W (2125)
R1166	*3 1-216-061-00	s	METAL, CHIP 3.3K 5% 1/10W (2125)
R1167	*3 1-216-061-00	s	METAL, CHIP 3.3K 5% 1/10W (2125)
R1168	*3 1-216-061-00	s	METAL, CHIP 3.3K 5% 1/10W (2125)
R1169	*3 1-216-069-00	s	METAL, CHIP 6.8K 5% 1/10W (2125)
R1170	*3 1-216-073-00	s	METAL, CHIP 10K 5% 1/10W (2125)
R1171	*3 1-216-061-00	s	METAL, CHIP 3.3K 5% 1/10W (2125)
R1172	*3 1-216-049-00	s	METAL, CHIP 1.0K 5% 1/10W (2125)
R1173	*3 1-216-049-00	s	METAL, CHIP 1.0K 5% 1/10W (2125)
R1174	*3 1-216-045-00	s	METAL, CHIP 680 5% 1/10W (2125)
R1175	*3 1-216-073-00	s	METAL, CHIP 10K 5% 1/10W (2125)
R1176	*3 1-216-073-00	s	METAL, CHIP 10K 5% 1/10W (2125)
R1177	*3 1-216-051-00	s	METAL, CHIP 1.2K 5% 1/10W (2125)
R1178	*3 1-216-051-00	s	METAL, CHIP 1.2K 5% 1/10W (2125)
R1179	*3 1-216-051-00	s	METAL, CHIP 1.2K 5% 1/10W (2125)
R1180	*3 1-216-063-00	s	METAL, CHIP 3.9K 5% 1/10W (2125)
R1187	*3 1-216-049-00	s	METAL, CHIP 1.0K 5% 1/10W (2125)
R2100	1-216-073-00	s	METAL, CHIP 10K 5% 1/10W (2125)
R2101	1-216-073-00	s	METAL, CHIP 10K 5% 1/10W (2125)
R2102	1-216-089-00	s	METAL, CHIP 47K 5% 1/10W (2125)
R2103	1-216-089-00	s	METAL, CHIP 47K 5% 1/10W (2125)
R2104	1-216-081-00	s	METAL, CHIP 22K 5% 1/10W (2125)
R2105	1-216-081-00	s	METAL, CHIP 22K 5% 1/10W (2125)
R2106	1-216-089-00	s	METAL, CHIP 47K 5% 1/10W (2125)
R2107	1-216-089-00	s	METAL, CHIP 47K 5% 1/10W (2125)
R2108	1-216-089-00	s	METAL, CHIP 47K 5% 1/10W (2125)
R2109-2113	1-216-073-00	s	METAL, CHIP 10K 5% 1/10W (2125)

\*2: Board No. suffix 32 or higher  
\*3: LOT No. 307 through 407

## (SS-52B BOARD for DVW-510P)

Ref. No. or Q'ty	Part No.	SP Description
R2114	1-216-049-00	s METAL, CHIP 1.0K 5% 1/10W (2125)
R2116	1-216-089-00	s METAL, CHIP 47K 5% 1/10W (2125)
R2117	1-216-049-00	s METAL, CHIP 1.0K 5% 1/10W (2125)
R2119	1-216-049-00	s METAL, CHIP 1.0K 5% 1/10W (2125)
R2122	1-216-049-00	s METAL, CHIP 1.0K 5% 1/10W (2125)
R2123	1-216-049-00	s METAL, CHIP 1.0K 5% 1/10W (2125)
R2125	1-216-073-00	s METAL, CHIP 10K 5% 1/10W (2125)
R2126	1-216-073-00	s METAL, CHIP 10K 5% 1/10W (2125)
R2127	1-216-089-00	s METAL, CHIP 47K 5% 1/10W (2125)
R2128	1-216-047-00	s METAL, CHIP 820 5% 1/10W (2125)
R2129-2134	1-216-073-00	s METAL, CHIP 10K 5% 1/10W (2125)
R2135	1-216-089-00	s METAL, CHIP 47K 5% 1/10W (2125)
R2136	1-216-089-00	s METAL, CHIP 47K 5% 1/10W (2125)
R2137	1-216-049-00	s METAL, CHIP 1.0K 5% 1/10W (2125)
R2138	1-216-089-00	s METAL, CHIP 47K 5% 1/10W (2125)
R2139	1-216-073-00	s METAL, CHIP 10K 5% 1/10W (2125)
R2140	1-216-073-00	s METAL, CHIP 10K 5% 1/10W (2125)
R2141	1-216-089-00	s METAL, CHIP 47K 5% 1/10W (2125)
R2142	1-216-049-00	s METAL, CHIP 1.0K 5% 1/10W (2125)
R2143	1-216-037-00	s METAL, CHIP 330 5% 1/10W (2125)
R2173	1-216-073-00	s METAL, CHIP 10K 5% 1/10W (2125)
R2200	1-216-089-00	s METAL, CHIP 47K 5% 1/10W (2125)
R2201	1-216-089-00	s METAL, CHIP 47K 5% 1/10W (2125)
R2202	1-216-089-00	s METAL, CHIP 47K 5% 1/10W (2125)
R2203	1-216-037-00	s METAL, CHIP 330 5% 1/10W (2125)
R2204	1-216-089-00	s METAL, CHIP 47K 5% 1/10W (2125)
R2205	1-216-089-00	s METAL, CHIP 47K 5% 1/10W (2125)
R2206-2210	1-216-049-00	s METAL, CHIP 1.0K 5% 1/10W (2125)
R2214	1-216-049-00	s METAL, CHIP 1.0K 5% 1/10W (2125)
R2215	1-216-049-00	s METAL, CHIP 1.0K 5% 1/10W (2125)
R2225	1-216-073-00	s METAL, CHIP 10K 5% 1/10W (2125)
R2226	1-216-085-00	s METAL, CHIP 33K 5% 1/10W (2125)
R2227	1-216-073-00	s METAL, CHIP 10K 5% 1/10W (2125)
R2228	1-216-092-00	s METAL, CHIP 62K 5% 1/10W (2125)
R2229	1-216-055-00	s METAL, CHIP 1.8K 5% 1/10W (2125)
R2230	1-216-073-00	s METAL, CHIP 10K 5% 1/10W (2125)
R2231	1-216-073-00	s METAL, CHIP 10K 5% 1/10W (2125)
R2232	1-216-061-00	s METAL, CHIP 3.3K 5% 1/10W (2125)
R2300	1-216-089-00	s METAL, CHIP 47K 5% 1/10W (2125)
R2301	1-216-089-00	s METAL, CHIP 47K 5% 1/10W (2125)
R2303	1-216-025-00	s METAL, CHIP 100 5% 1/10W (2125)
R2304	1-216-675-11	s METAL, CHIP 10K 0.5% 1/10W (2125)
R2305	1-216-675-11	s METAL, CHIP 10K 0.5% 1/10W (2125)
R2306	1-216-675-11	s METAL, CHIP 10K 0.5% 1/10W (2125)
R2307	1-216-085-00	s METAL, CHIP 33K 5% 1/10W (2125)
R2308	1-216-667-11	s METAL, CHIP 4.7K 0.5% 1/10W
R2309	1-216-097-00	s METAL, CHIP 100K 5% 1/10W (2125)
R2311	1-216-675-11	s METAL, CHIP 10K 0.5% 1/10W (2125)
R2312	1-216-091-00	s METAL, CHIP 56K 5% 1/10W (2125)
R2313	1-216-097-00	s METAL, CHIP 100K 5% 1/10W (2125)
R2315	1-216-667-11	s METAL, CHIP 4.7K 0.5% 1/10W
R2316	1-216-689-11	s METAL, CHIP 39K 0.5% 1/10W (2125)
R2317	1-216-689-11	s METAL, CHIP 39K 0.5% 1/10W (2125)

## (SS-52B BOARD for DVW-510P)

Ref. No. or Q'ty	Part No.	SP Description
R2318	1-216-675-11	s METAL, CHIP 10K 0.5% 1/10W (2125)
R2319	1-216-049-00	s METAL, CHIP 1.0K 5% 1/10W (2125)
R2320	1-216-049-00	s METAL, CHIP 1.0K 5% 1/10W (2125)
R2322	1-216-049-00	s METAL, CHIP 1.0K 5% 1/10W (2125)
R2323	1-216-073-00	s METAL, CHIP 10K 5% 1/10W (2125)
R2324	1-216-089-00	s METAL, CHIP 47K 5% 1/10W (2125)
R2325	1-216-049-00	s METAL, CHIP 1.0K 5% 1/10W (2125)
R2326	1-216-074-00	s METAL, CHIP 11K 5% 1/10W (2125)
R2327	1-216-059-00	s METAL, CHIP 2.7K 5% 1/10W (2125)
R2328	1-216-105-11	s METAL, CHIP 220K 5% 1/10W (2125)
R2329	1-216-073-00	s METAL, CHIP 10K 5% 1/10W (2125)
R2330	1-216-049-00	s METAL, CHIP 1.0K 5% 1/10W (2125)
R2331	1-216-089-00	s METAL, CHIP 47K 5% 1/10W (2125)
R2332	1-216-073-00	s METAL, CHIP 10K 5% 1/10W (2125)
R2333	1-216-049-00	s METAL, CHIP 1.0K 5% 1/10W (2125)
R2334	1-216-059-00	s METAL, CHIP 2.7K 5% 1/10W (2125)
R2335	1-216-105-11	s METAL, CHIP 220K 5% 1/10W (2125)
R2340	1-216-073-00	s METAL, CHIP 10K 5% 1/10W (2125)
R2341	1-216-073-00	s METAL, CHIP 10K 5% 1/10W (2125)
R2342	1-216-073-00	s METAL, CHIP 10K 5% 1/10W (2125)
R2344	1-216-073-00	s METAL, CHIP 10K 5% 1/10W (2125)
R2345	1-216-097-00	s METAL, CHIP 100K 5% 1/10W (2125)
R2346	1-216-073-00	s METAL, CHIP 10K 5% 1/10W (2125)
R2347	1-216-049-00	s METAL, CHIP 1.0K 5% 1/10W (2125)
R2348	1-208-812-11	s METAL, CHIP 18K 0.5% 1/10W (2125)
R2349	1-216-677-11	s METAL, CHIP 12K 0.5% 1/10W (2125)
R2350	1-208-812-11	s METAL, CHIP 18K 0.5% 1/10W (2125)
R2351	1-216-688-11	s METAL, CHIP 36K 0.5% 1/10W (2125)
R2352	1-216-065-00	s METAL, CHIP 4.7K 5% 1/10W (2125)
R2354	1-216-025-00	s METAL, CHIP 100 5% 1/10W (2125)
R2355	1-216-667-11	s METAL, CHIP 4.7K 0.5% 1/10W (2125)
R2356	1-216-689-11	s METAL, CHIP 39K 0.5% 1/10W (2125)
R2500	1-216-687-11	s METAL, CHIP 33K 0.5% 1/10W (2125)
R2501	1-216-687-11	s METAL, CHIP 33K 0.5% 1/10W (2125)
R2502-2505	1-216-675-11	s METAL, CHIP 10K 0.5% 1/10W (2125)
R2506	1-216-651-11	s METAL, CHIP 1.0K 0.5% 1/10W (2125)
R2507	1-216-651-11	s METAL, CHIP 1.0K 0.5% 1/10W (2125)
R2508	1-216-689-11	s METAL, CHIP 39K 0.5% 1/10W (2125)
R2509	1-216-689-11	s METAL, CHIP 39K 0.5% 1/10W (2125)
R2510	1-218-758-11	s METAL, CHIP 180K 0.5% 1/10W (2125)
R2511	1-218-758-11	s METAL, CHIP 180K 0.5% 1/10W (2125)
R2512	1-216-663-11	s METAL, CHIP 3.3K 0.5% 1/10W (2125)
R2513	1-216-663-11	s METAL, CHIP 3.3K 0.5% 1/10W (2125)
R2514	1-216-694-11	s METAL, CHIP 62K 0.5% 1/10W (2125)
R2515	1-216-665-11	s METAL, CHIP 3.9K 0.5% 1/10W (2125)
R2516	1-216-694-11	s METAL, CHIP 62K 0.5% 1/10W (2125)
R2517	1-216-665-11	s METAL, CHIP 3.9K 0.5% 1/10W (2125)
R2518	1-216-692-11	s METAL, CHIP 51K 0.5% 1/10W (2125)
R2519	1-216-692-11	s METAL, CHIP 51K 0.5% 1/10W (2125)
R2520	1-216-295-00	s METAL, CHIP 0 (2125)
R2521	1-218-756-11	s METAL, CHIP 150K 0.5% 1/10W (2125)
R2522	1-216-651-11	s METAL, CHIP 1.0K 0.5% 1/10W (2125)
R2523	1-216-651-11	s METAL, CHIP 1.0K 0.5% 1/10W (2125)
R2524	1-216-667-11	s METAL, CHIP 4.7K 0.5% 1/10W (2125)
R2526	1-216-073-00	s METAL, CHIP 10K 5% 1/10W (2125)

## (SS-52B BOARD for DVW-510P)

Ref. No. or Q'ty	Part No.	SP	Description
R2527	1-216-073-00	s	METAL, CHIP 10K 5% 1/10W (2125)
R2528-2535	1-216-687-11	s	METAL, CHIP 33K 0.5% 1/10W (2125)
R2536-2539	1-216-675-11	s	METAL, CHIP 10K 0.5% 1/10W
R2540-2543	1-216-687-11	s	METAL, CHIP 33K 0.5% 1/10W (2125)
R2544	1-216-073-00	s	METAL, CHIP 10K 5% 1/10W (2125)
R2545	1-216-089-00	s	METAL, CHIP 47K 5% 1/10W (2125)
R2546	1-216-655-11	s	METAL, CHIP 1.5K 0.5% 1/10W
R2547	1-218-756-11	s	METAL, CHIP 150K 0.5% 1/10W
R2548	1-216-687-11	s	METAL, CHIP 33K 0.5% 1/10W (2125)
R2549	1-216-687-11	s	METAL, CHIP 33K 0.5% 1/10W (2125)
R2550	1-218-776-11	s	METAL, CHIP 1.0M 0.5% 1/10W
R2551	1-216-687-11	s	METAL, CHIP 33K 0.5% 1/10W (2125)
R2552	1-216-687-11	s	METAL, CHIP 33K 0.5% 1/10W (2125)
R2553	1-216-073-00	s	METAL, CHIP 10K 5% 1/10W (2125)
R2554	1-216-089-00	s	METAL, CHIP 47K 5% 1/10W (2125)
R2700	1-216-089-00	s	METAL, CHIP 47K 5% 1/10W (2125)
R2701	1-216-089-00	s	METAL, CHIP 47K 5% 1/10W (2125)
R2703	1-216-025-00	s	METAL, CHIP 100 5% 1/10W (2125)
R2704	1-216-675-11	s	METAL, CHIP 10K 0.5% 1/10W (2125)
R2705	1-216-675-11	s	METAL, CHIP 10K 0.5% 1/10W (2125)
R2706	1-216-675-11	s	METAL, CHIP 10K 0.5% 1/10W (2125)
R2708	1-216-085-00	s	METAL, CHIP 33K 5% 1/10W (2125)
R2709	1-216-667-11	s	METAL, CHIP 4.7K 0.5% 1/10W
R2710	1-216-097-00	s	METAL, CHIP 100K 5% 1/10W (2125)
R2711	1-216-675-11	s	METAL, CHIP 10K 0.5% 1/10W (2125)
R2712	1-216-091-00	s	METAL, CHIP 56K 5% 1/10W (2125)
R2713	1-216-097-00	s	METAL, CHIP 100K 5% 1/10W (2125)
R2715	1-216-667-11	s	METAL, CHIP 4.7K 0.5% 1/10W
R2716	1-216-689-11	s	METAL, CHIP 39K 0.5% 1/10W (2125)
R2717	1-216-689-11	s	METAL, CHIP 39K 0.5% 1/10W (2125)
R2718	1-216-675-11	s	METAL, CHIP 10K 0.5% 1/10W (2125)
R2719	1-216-049-00	s	METAL, CHIP 1.0K 5% 1/10W (2125)
R2720	1-216-049-00	s	METAL, CHIP 1.0K 5% 1/10W (2125)
R2722	1-216-049-00	s	METAL, CHIP 1.0K 5% 1/10W (2125)
R2723	1-216-073-00	s	METAL, CHIP 10K 5% 1/10W (2125)
R2724	1-216-089-00	s	METAL, CHIP 47K 5% 1/10W (2125)
R2725	1-216-049-00	s	METAL, CHIP 1.0K 5% 1/10W (2125)
R2726	1-216-074-00	s	METAL, CHIP 11K 5% 1/10W (2125)
R2727	1-216-059-00	s	METAL, CHIP 2.7K 5% 1/10W (2125)
R2728	1-216-105-11	s	METAL, CHIP 220K 5% 1/10W (2125)
R2729	1-216-073-00	s	METAL, CHIP 10K 5% 1/10W (2125)
R2730	1-216-049-00	s	METAL, CHIP 1.0K 5% 1/10W (2125)
R2731	1-216-089-00	s	METAL, CHIP 47K 5% 1/10W (2125)
R2732	1-216-073-00	s	METAL, CHIP 10K 5% 1/10W (2125)
R2733	1-216-049-00	s	METAL, CHIP 1.0K 5% 1/10W (2125)
R2734	1-216-059-00	s	METAL, CHIP 2.7K 5% 1/10W (2125)
R2735	1-216-105-11	s	METAL, CHIP 220K 5% 1/10W (2125)
R2740	1-216-073-00	s	METAL, CHIP 10K 5% 1/10W (2125)
R2741	1-216-073-00	s	METAL, CHIP 10K 5% 1/10W (2125)
R2743	1-216-073-00	s	METAL, CHIP 10K 5% 1/10W (2125)
R2744	1-216-049-00	s	METAL, CHIP 1.0K 5% 1/10W (2125)
R2745	1-216-073-00	s	METAL, CHIP 10K 5% 1/10W (2125)

## (SS-52B BOARD for DVW-510P)

Ref. No. or Q'ty	Part No.	SP	Description
R2746	1-208-812-11	s	METAL, CHIP 18K 0.5% 1/10W (2125)
R2747	1-216-097-00	s	METAL, CHIP 100K 5% 1/10W (2125)
R2748	1-216-073-00	s	METAL, CHIP 10K 5% 1/10W (2125)
R2749	1-216-677-11	s	METAL, CHIP 12K 0.5% 1/10W (2125)
R2750	1-208-812-11	s	METAL, CHIP 18K 0.5% 1/10W (2125)
R2751	1-216-688-11	s	METAL, CHIP 36K 0.5% 1/10W (2125)
R2752	1-216-065-00	s	METAL, CHIP 4.7K 5% 1/10W (2125)
R2754	1-216-073-00	s	METAL, CHIP 10K 5% 1/10W (2125)
R2755	1-216-080-00	s	METAL, CHIP 20K 5% 1/10W (2125)
R3000	1-216-689-11	s	METAL, CHIP 39K 0.5% 1/10W (2125)
R3001	1-216-073-00	s	METAL, CHIP 10K 5% 1/10W (2125)
R3002	1-216-073-00	s	METAL, CHIP 10K 5% 1/10W (2125)
R3003	1-216-073-00	s	METAL, CHIP 10K 5% 1/10W (2125)
R3004	1-216-065-00	s	METAL, CHIP 4.7K 5% 1/10W (2125)
R3005	1-216-065-00	s	METAL, CHIP 4.7K 5% 1/10W (2125)
R3006	1-216-121-00	s	METAL, CHIP 1.0M 5% 1/10W (2125)
R3007	1-216-121-00	s	METAL, CHIP 1.0M 5% 1/10W (2125)
R3008	1-216-073-00	s	METAL, CHIP 10K 5% 1/10W (2125)
RB100	1-239-308-11	s	RESISTOR BLOCK, CHIP 47Kx8
RB101	1-239-308-11	s	RESISTOR BLOCK, CHIP 47Kx8
RB103	1-239-308-11	s	RESISTOR BLOCK, CHIP 47Kx8
RB105	1-239-464-11	s	RESISTOR BLOCK, CHIP 2.2Kx8
RB106	1-239-464-11	s	RESISTOR BLOCK, CHIP 2.2Kx8
RB107	1-239-464-11	s	RESISTOR BLOCK, CHIP 2.2Kx8
RB109	1-239-308-11	s	RESISTOR BLOCK, CHIP 47Kx8
RB110	1-239-308-11	s	RESISTOR BLOCK, CHIP 47Kx8
RB300	1-239-308-11	s	RESISTOR BLOCK, CHIP 47Kx8
RB301	1-239-308-11	s	RESISTOR BLOCK, CHIP 47Kx8
RB302	1-239-308-11	s	RESISTOR BLOCK, CHIP 47Kx8
RB304-307	1-239-308-11	s	RESISTOR BLOCK, CHIP 47Kx8
RB600	1-239-464-11	s	RESISTOR BLOCK, CHIP 2.2Kx8
RB700	1-239-308-11	s	RESISTOR BLOCK, CHIP 47Kx8
RB701	1-239-308-11	s	RESISTOR BLOCK, CHIP 47Kx8
RB800	1-236-904-11	s	RES, NETWORK, CHIP 1Kx4
RB802	1-239-412-11	s	RES, NETWORK, CHIP 100x4
RB803	1-236-904-11	s	RES, NETWORK, CHIP 1Kx4
RB804	1-239-306-11	s	RESISTOR BLOCK, CHIP 10Kx8
RB805-808	1-236-904-11	s	RES, NETWORK, CHIP 1Kx4
RB809	1-239-306-11	s	RESISTOR BLOCK, CHIP 10Kx8
RB810	1-239-412-11	s	RES, NETWORK, CHIP 100x4
RB901	1-236-904-11	s	RES, NETWORK, CHIP 1Kx4
RB902	1-236-904-11	s	RES, NETWORK, CHIP 1Kx4
RB903	1-236-908-11	s	RES, NETWORK, CHIP 10Kx4
RB2100-2103	1-239-419-11	s	RES, NETWORK, CHIP 470x4
RB2104-2107	1-239-308-11	s	RESISTOR BLOCK, CHIP 47Kx8
RV700	1-241-785-11	s	RES, ADJ, CERMET 10K
S100	1-692-536-11	s	SWITCH, DIP 8-CKT
S102	1-692-535-11	s	SWITCH, DIP 4-CKT
S300-302	1-572-473-11	s	SWITCH, PUSH
S303	1-692-535-11	s	SWITCH, DIP 4-CKT

(SS-52B BOARD for DVW-510P)

Ref. No. or Q'ty	Part No.	SP Description
S700	1-572-473-11	s SWITCH, PUSH
S701	1-692-536-11	s SWITCH, DIP 8-CKT
S2100	1-572-473-11	s SWITCH, PUSH
S2101	1-692-536-11	s SWITCH, DIP 8-CKT
X3	1-760-075-21	s RESONATOR, CERAMIC 2.4570 MHz
X4	1-760-014-11	s RESONATOR, CERAMIC 20.0 MHz
X500	1-579-993-21	s CRYSTAL 13.50 MHz
X501	1-579-995-12	s CRYSTAL 17.734475 MHz
X600	1-579-930-12	s RESONATOR, CERAMIC 16.0 MHz
X700	1-579-996-21	s RESONATOR, CERAMIC 20.0 MHz
X800	1-579-996-21	s RESONATOR, CERAMIC 20.0 MHz
X2100	1-579-996-21	s RESONATOR, CERAMIC 20.0 MHz
X2200	1-579-996-21	s RESONATOR, CERAMIC 20.0 MHz

SWC-17B BOARD

Ref. No. or Q'ty	Part No.	SP Description
1pc	A-8275-210-A	o MOUNTAD CIRCUIT BOARD, SWC-17B
1pc	1-568-502-11	s SOCKET, FLAT CABLE 26P
1pc	4-937-336-11	s HOLDER, LED
C101	1-126-795-11	s ELECT 10uF 20% 50V
C102	1-126-795-11	s ELECT 10uF 20% 50V
C103-105	1-163-033-00	s CERAMIC, CHIP 0.022uF 50V (2125)
C202	1-107-686-11	s TANTALUM, CHIP 4.7uF 20% 16V
C204	1-107-686-11	s TANTALUM, CHIP 4.7uF 20% 16V
C207	1-107-686-11	s TANTALUM, CHIP 4.7uF 20% 16V
C208	1-107-686-11	s TANTALUM, CHIP 4.7uF 20% 16V
C210	1-107-686-11	s TANTALUM, CHIP 4.7uF 20% 16V
C213	1-107-686-11	s TANTALUM, CHIP 4.7uF 20% 16V
C215	1-107-686-11	s TANTALUM, CHIP 4.7uF 20% 16V
C216	1-107-686-11	s TANTALUM, CHIP 4.7uF 20% 16V
C218-224	1-107-686-11	s TANTALUM, CHIP 4.7uF 20% 16V
CN560	1-751-360-11	s CABLE, FLAT 26P (FRONT SW2)
D102	8-719-024-81	s DIODE 1SS300
D105	8-719-024-81	s DIODE 1SS300
D107	8-719-024-81	s DIODE 1SS300
D109-112	8-719-024-81	s DIODE 1SS300
D113-118	8-719-041-80	s LED TLG255A, GRN
D119	8-719-041-85	s LED TLY255A, YEL
D120	8-719-041-85	s LED TLY255A, YEL
D121	8-719-820-36	s LED TLS255A, RED
D201-203	8-719-041-85	s LED TLY255A, YEL
D204-206	8-719-820-36	s LED TLS255A, RED
D207-209	8-719-041-80	s LED TLG255A, GRN
IC101	8-759-586-01	s IC TD62003P (J, S)
Q101-105	8-729-923-62	s TRANSISTOR DTA123JK
Q106-113	8-729-140-63	s TRANSISTOR 2SA1611-M5M6
Q114-121	8-729-924-56	s TRANSISTOR DTC123JU
Q202	8-729-900-51	s TRANSISTOR DTA114TK
Q204	8-729-900-51	s TRANSISTOR DTA114TK
Q206	8-729-117-32	s TRANSISTOR 2SC4177-L6
Q208	8-729-117-32	s TRANSISTOR 2SC4177-L6
Q210	8-729-900-51	s TRANSISTOR DTA114TK
Q212	8-729-117-32	s TRANSISTOR 2SC4177-L6
Q214	8-729-117-32	s TRANSISTOR 2SC4177-L6
Q216	8-729-117-32	s TRANSISTOR 2SC4177-L6
Q217	8-729-900-51	s TRANSISTOR DTA114TK
Q219	8-729-900-51	s TRANSISTOR DTA114TK
Q222	8-729-117-32	s TRANSISTOR 2SC4177-L6
Q224	8-729-117-32	s TRANSISTOR 2SC4177-L6
Q225	8-729-117-32	s TRANSISTOR 2SC4177-L6
Q227	8-729-900-51	s TRANSISTOR DTA114TK
Q229	8-729-117-32	s TRANSISTOR 2SC4177-L6
Q231	8-729-117-32	s TRANSISTOR 2SC4177-L6
Q233	8-729-900-51	s TRANSISTOR DTA114TK
Q234	8-729-900-51	s TRANSISTOR DTA114TK
Q236	8-729-117-32	s TRANSISTOR 2SC4177-L6
Q237	8-729-117-32	s TRANSISTOR 2SC4177-L6
Q239	8-729-117-32	s TRANSISTOR 2SC4177-L6
Q240-242	8-729-900-51	s TRANSISTOR DTA114TK



(SWC-17B BOARD)

Ref. No. or Q'ty	Part No.	SP	Description
Q243-246	8-729-117-32	s	TRANSISTOR 2SC4177-L6
Q247-249	8-729-900-51	s	TRANSISTOR DTA114TK
Q250-252	8-729-117-32	s	TRANSISTOR 2SC4177-L6
Q253	8-729-900-51	s	TRANSISTOR DTA114TK
Q254	8-729-117-32	s	TRANSISTOR 2SC4177-L6
R114	1-220-254-11	s	METAL, CHIP 56 5% 1/4W (3225)
R115	1-216-057-00	s	METAL, CHIP 2.2K 5% 1/10W (2125)
R116	1-216-057-00	s	METAL, CHIP 2.2K 5% 1/10W (2125)
R117	1-220-254-11	s	METAL, CHIP 56 5% 1/4W (3225)
R118	1-216-057-00	s	METAL, CHIP 2.2K 5% 1/10W (2125)
R119	1-216-057-00	s	METAL, CHIP 2.2K 5% 1/10W (2125)
R120	1-220-254-11	s	METAL, CHIP 56 5% 1/4W (3225)
R121	1-220-254-11	s	METAL, CHIP 56 5% 1/4W (3225)
R122	1-216-057-00	s	METAL, CHIP 2.2K 5% 1/10W (2125)
R123	1-216-057-00	s	METAL, CHIP 2.2K 5% 1/10W (2125)
R124	1-220-254-11	s	METAL, CHIP 56 5% 1/4W (3225)
R125	1-216-057-00	s	METAL, CHIP 2.2K 5% 1/10W (2125)
R126	1-216-057-00	s	METAL, CHIP 2.2K 5% 1/10W (2125)
R127	1-220-254-11	s	METAL, CHIP 56 5% 1/4W (3225)
R128	1-216-057-00	s	METAL, CHIP 2.2K 5% 1/10W (2125)
R129	1-216-057-00	s	METAL, CHIP 2.2K 5% 1/10W (2125)
R130	1-220-254-11	s	METAL, CHIP 56 5% 1/4W (3225)
R131	1-220-254-11	s	METAL, CHIP 56 5% 1/4W (3225)
R132	1-216-057-00	s	METAL, CHIP 2.2K 5% 1/10W (2125)
R133	1-216-057-00	s	METAL, CHIP 2.2K 5% 1/10W (2125)
R134	1-220-254-11	s	METAL, CHIP 56 5% 1/4W (3225)
R135-138	1-216-057-00	s	METAL, CHIP 2.2K 5% 1/10W (2125)
R202	1-216-013-00	s	METAL, CHIP 33 5% 1/10W (2125)
R204	1-216-013-00	s	METAL, CHIP 33 5% 1/10W (2125)
R206	1-216-065-00	s	METAL, CHIP 4.7K 5% 1/10W (2125)
R208	1-216-065-00	s	METAL, CHIP 4.7K 5% 1/10W (2125)
R210	1-216-065-00	s	METAL, CHIP 4.7K 5% 1/10W (2125)
R212	1-216-065-00	s	METAL, CHIP 4.7K 5% 1/10W (2125)
R214	1-220-261-11	s	METAL, CHIP 470 5% 1/4W (3225)
R216	1-218-780-11	s	METAL, CHIP 270 5% 1/4W (3225)
R218	1-216-013-00	s	METAL, CHIP 33 5% 1/10W (2125)
R220	1-218-780-11	s	METAL, CHIP 270 5% 1/4W (3225)
R222	1-216-065-00	s	METAL, CHIP 4.7K 5% 1/10W (2125)
R225	1-216-065-00	s	METAL, CHIP 4.7K 5% 1/10W (2125)
R228	1-220-261-11	s	METAL, CHIP 470 5% 1/4W (3225)
R230	1-218-780-11	s	METAL, CHIP 270 5% 1/4W (3225)
R231	1-216-013-00	s	METAL, CHIP 33 5% 1/10W (2125)
R232	1-216-065-00	s	METAL, CHIP 4.7K 5% 1/10W (2125)
R234	1-216-013-00	s	METAL, CHIP 33 5% 1/10W (2125)
R237	1-216-065-00	s	METAL, CHIP 4.7K 5% 1/10W (2125)
R239	1-216-065-00	s	METAL, CHIP 4.7K 5% 1/10W (2125)
R241	1-216-065-00	s	METAL, CHIP 4.7K 5% 1/10W (2125)
R244	1-220-261-11	s	METAL, CHIP 470 5% 1/4W (3225)
R246	1-218-780-11	s	METAL, CHIP 270 5% 1/4W (3225)
R247	1-218-780-11	s	METAL, CHIP 270 5% 1/4W (3225)
R249	1-216-013-00	s	METAL, CHIP 33 5% 1/10W (2125)
R252	1-216-065-00	s	METAL, CHIP 4.7K 5% 1/10W (2125)
R255	1-216-065-00	s	METAL, CHIP 4.7K 5% 1/10W (2125)
R257	1-218-780-11	s	METAL, CHIP 270 5% 1/4W (3225)
R259	1-220-261-11	s	METAL, CHIP 470 5% 1/4W (3225)
R261	1-216-013-00	s	METAL, CHIP 33 5% 1/10W (2125)

(SWC-17B BOARD)

Ref. No. or Q'ty	Part No.	SP	Description
R262	1-216-065-00	s	METAL, CHIP 4.7K 5% 1/10W (2125)
R263	1-216-013-00	s	METAL, CHIP 33 5% 1/10W (2125)
R265	1-216-065-00	s	METAL, CHIP 4.7K 5% 1/10W (2125)
R267	1-216-065-00	s	METAL, CHIP 4.7K 5% 1/10W (2125)
R268	1-216-065-00	s	METAL, CHIP 4.7K 5% 1/10W (2125)
R270	1-218-780-11	s	METAL, CHIP 270 5% 1/4W (3225)
R271	1-220-261-11	s	METAL, CHIP 470 5% 1/4W (3225)
R273	1-218-780-11	s	METAL, CHIP 270 5% 1/4W (3225)
R274-276	1-216-013-00	s	METAL, CHIP 33 5% 1/10W (2125)
R277-282	1-216-065-00	s	METAL, CHIP 4.7K 5% 1/10W (2125)
R283	1-218-780-11	s	METAL, CHIP 270 5% 1/4W (3225)
R284	1-220-261-11	s	METAL, CHIP 470 5% 1/4W (3225)
R285	1-220-261-11	s	METAL, CHIP 470 5% 1/4W (3225)
R286	*2 1-220-260-11	s	METAL, CHIP 390 5% 1/4W (3225)
	*1 1-218-780-11	s	METAL, CHIP 270 5% 1/4W (3225)
R287-289	1-216-013-00	s	METAL, CHIP 33 5% 1/10W (2125)
R290-295	1-216-065-00	s	METAL, CHIP 4.7K 5% 1/10W (2125)
R296	1-220-261-11	s	METAL, CHIP 470 5% 1/4W (3225)
R297	1-220-261-11	s	METAL, CHIP 470 5% 1/4W (3225)
R298	*2 1-220-260-11	s	METAL, CHIP 390 5% 1/4W (3225)
	*1 1-218-780-11	s	METAL, CHIP 270 5% 1/4W (3225)
R299	1-216-013-00	s	METAL, CHIP 33 5% 1/10W (2125)
R300	1-216-065-00	s	METAL, CHIP 4.7K 5% 1/10W (2125)
R301	1-216-065-00	s	METAL, CHIP 4.7K 5% 1/10W (2125)
R302	1-220-261-11	s	METAL, CHIP 470 5% 1/4W (3225)
RB101	1-239-305-11	s	RESISTOR BLOCK, CHIP 4.7Kx8
RB102	1-239-306-11	s	RESISTOR BLOCK, CHIP 10Kx8
S202	1-692-537-11	s	SWITCH, PUSH (WITH LED)
S205	1-692-537-11	s	SWITCH, PUSH (WITH LED)
S208	1-692-537-11	s	SWITCH, PUSH (WITH LED)
S211	1-692-537-11	s	SWITCH, PUSH (WITH LED)
S213	1-692-537-11	s	SWITCH, PUSH (WITH LED)
S215	1-692-537-11	s	SWITCH, PUSH (WITH LED)
S216	1-692-537-11	s	SWITCH, PUSH (WITH LED)
S217	*2 1-762-042-11	s	SWITCH, PUSH (WITH LED)
	*1 1-554-048-00	s	SWITCH, PUSH (WITH LED)
S218	1-692-537-11	s	SWITCH, PUSH (WITH LED)
S219	1-692-537-11	s	SWITCH, PUSH (WITH LED)
S220	*2 1-762-042-11	s	SWITCH, PUSH (WITH LED)
	*1 1-554-048-00	s	SWITCH, PUSH (WITH LED)
S221	1-692-537-11	s	SWITCH, PUSH (WITH LED)

-----  
 \*1: Board No. suffix 21 only  
 \*2: Board No. suffix 22 or higher

-----  
 SWC-18B BOARD  
 -----

(SWC-18B BOARD)

Ref. No. or Q'ty	Part No.	SP Description
1pc	A-8275-341-A	o MOUNTED CIRCUIT BOARD, SWC-18BA (For DVW-A510P/CA510P)
	A-8275-211-A	o MOUNTED CIRCUIT BOARD, SWC-18B (For DVW-510P)
C101	1-163-251-11	s CERAMIC, CHIP 100pF 5% 50V (2125)
C102	1-126-795-11	s ELECT 10uF 20% 50V
C103	1-163-251-11	s CERAMIC, CHIP 100pF 5% 50V (2125)
C104	1-163-251-11	s CERAMIC, CHIP 100pF 5% 50V
C105	1-163-251-11	s CERAMIC, CHIP 100pF 5% 50V (2125)
C106	1-163-037-11	s CERAMIC, CHIP 0.022uF 10% 25V
C107	1-163-251-11	s CERAMIC, CHIP 100pF 5% 50V (2125)
C108	1-163-251-11	s CERAMIC, CHIP 100pF 5% 50V (2125)
C109	1-163-251-11	s CERAMIC, CHIP 100pF 5% 50V
C110	1-163-037-11	s CERAMIC, CHIP 0.022uF 10% 25V
C111	1-163-037-11	s CERAMIC, CHIP 0.022uF 10% 25V
C112	1-126-795-11	s ELECT 10uF 20% 50V
C113	1-163-037-11	s CERAMIC, CHIP 0.022uF 10% 25V
C114	1-126-795-11	s ELECT 10uF 20% 50V
C115	1-163-251-11	s CERAMIC, CHIP 100pF 5% 50V (2125)
C116	1-163-251-11	s CERAMIC, CHIP 100pF 5% 50V (2125)
C117	1-163-251-11	s CERAMIC, CHIP 100pF 5% 50V (2125)
C118	1-163-251-11	s CERAMIC, CHIP 100pF 5% 50V
C119	1-163-251-11	s CERAMIC, CHIP 100pF 5% 50V (2125)
C120	1-163-251-11	s CERAMIC, CHIP 100pF 5% 50V (2125)
C121	1-163-037-11	s CERAMIC, CHIP 0.022uF 10% 25V
C122	1-163-251-11	s CERAMIC, CHIP 100pF 5% 50V (2125)
C123	1-163-037-11	s CERAMIC, CHIP 0.022uF 10% 25V
C124	1-163-037-11	s CERAMIC, CHIP 0.022uF 10% 25V
C125	1-163-037-11	s CERAMIC, CHIP 0.022uF 10% 25V
C126	1-163-037-11	s CERAMIC, CHIP 0.022uF 10% 25V
C127	1-163-037-11	s CERAMIC, CHIP 0.022uF 10% 25V
C128	1-163-037-11	s CERAMIC, CHIP 0.022uF 10% 25V
C129	1-104-553-11	s FILM, CHIP 0.015uF 5% 16V (3216)
C130	1-104-553-11	s FILM, CHIP 0.015uF 5% 16V (3216)
C131	1-163-017-00	s CERAMIC, CHIP 4700pF 10% 50V
C132	1-163-017-00	s CERAMIC, CHIP 4700pF 10% 50V
C133	1-163-037-11	s CERAMIC, CHIP 0.022uF 10% 25V
C134	1-163-037-11	s CERAMIC, CHIP 0.022uF 10% 25V
C135	1-163-137-00	s CERAMIC, CHIP 680pF 5% 50V
C136	1-163-137-00	s CERAMIC, CHIP 680pF 5% 50V
CN570	1-565-429-11	o CONNECTOR, FLAT CABLE 34P, MALE
D101	8-719-024-81	s DIODE 1SS300
D102	8-719-024-81	s DIODE 1SS300
D103	8-719-024-81	s DIODE 1SS300
D104	8-719-024-81	s DIODE 1SS300
D105	8-719-024-81	s DIODE 1SS300
D107	*A 8-719-024-81	s DIODE 1SS300
IC101	8-759-995-03	s IC LT1021DCS8-5
IC102	8-759-300-71	s IC HD14053BFP
IC103	8-759-300-71	s IC HD14053BFP
IC104	8-759-300-71	s IC HD14053BFP
IC105	8-759-175-74	s IC M62301FP
IC106	8-759-175-74	s IC M62301FP

Ref. No. or Q'ty	Part No.	SP Description
Q101	8-729-140-63	s TRANSISTOR 2SA1611-M5M6
Q102	8-729-905-12	s TRANSISTOR DTA144EU
Q103	8-729-905-12	s TRANSISTOR DTA144EU
R101	1-216-073-00	s METAL, CHIP 10K 5% 1/10W (2125)
R102	1-218-780-11	s METAL, CHIP 270 5% 1/4W (3225)
R103	1-216-069-00	s METAL, CHIP 6.8K 5% 1/10W (2125)
R104	1-216-073-00	s METAL, CHIP 10K 5% 1/10W (2125)
R105	1-216-073-00	s METAL, CHIP 10K 5% 1/10W (2125)
R106	1-216-073-00	s METAL, CHIP 10K 5% 1/10W (2125)
R112	1-216-073-00	s METAL, CHIP 10K 5% 1/10W (2125)
R113	1-216-073-00	s METAL, CHIP 10K 5% 1/10W (2125)
R114	1-216-679-11	s METAL, CHIP 15K 0.5% 1/10W (2125)
R115	1-216-679-11	s METAL, CHIP 15K 0.5% 1/10W (2125)
R119	1-216-025-00	s METAL, CHIP 100 5% 1/10W (2125)
R120	1-216-025-00	s METAL, CHIP 100 5% 1/10W (2125)
RB101	1-239-306-11	s RESISTOR BLOCK, CHIP 10Kx8
RV101	1-237-696-11	s RES, VAR, CARBON 5K
RV102	1-237-696-11	s RES, VAR, CARBON 5K
RV103	1-237-696-11	s RES, VAR, CARBON 5K
RV104	1-237-695-11	s RES, VAR, CARBON 5K
RV105	1-237-696-11	s RES, VAR, CARBON 5K
RV106	1-237-695-11	s RES, VAR, CARBON 5K
RV107	*A 1-237-696-11	s RES, VAR, CARBON 5K
S101	1-570-157-51	s SWITCH, SLIDE
S103	1-570-157-51	s SWITCH, SLIDE
S104	1-570-157-51	s SWITCH, SLIDE
S105	1-572-374-11	s SWITCH, SLIDE
S106	1-570-157-51	s SWITCH, SLIDE
S107	*A 1-570-157-51	s SWITCH, SLIDE
S108	1-572-374-11	s SWITCH, SLIDE
S109	1-570-157-51	s SWITCH, SLIDE
S112	*A 1-570-157-51	s SWITCH, SLIDE

-----  
 \*A: For DVW-A510P/CA510P only

-----  
 SWC-19B BOARD  
 -----

Ref. No. or Q'ty	Part No.	SP	Description
1pc	A-8275-350-A	o	MOUNTED CIRCUIT BOARD, SWC-19BAP (For DVW-A510P/CA510P)
	A-8275-351-A	o	MOUNTED CIRCUIT BOARD, SWC-19BP (For DVW-510P)
1pc	*3 3-194-030-02	o	PLATE, GUARD
C1	1-124-584-00	s	ELECT 100uF 20% 10V
C2	1-163-033-00	s	CERAMIC, CHIP 0.022uF 50V (2125)
C3	1-125-486-11	s	DOUBLE LAYERS 0.22FARAD 5.5V
C4	1-164-232-11	s	CERAMIC, CHIP 0.01uF 10% 100V
C5	1-163-033-00	s	CERAMIC, CHIP 0.022uF 50V (2125)
C9	1-163-033-00	s	CERAMIC, CHIP 0.022uF 50V (2125)
C10	1-163-033-00	s	CERAMIC, CHIP 0.022uF 50V (2125)
C11	1-163-033-00	s	CERAMIC, CHIP 0.022uF 50V (2125)
C12	1-163-033-00	s	CERAMIC, CHIP 0.022uF 50V (2125)
C14	1-163-038-00	s	CERAMIC, CHIP 0.1uF 25V (2125)
CN148	1-568-079-11	s	CONNECTOR, HINGE 20P, FEMALE
CN580	1-750-877-11	s	CONNECTOR, FLAT CABLE 16P, MALE
D1	8-719-026-16	s	LED CL-150D-CD, ORG
D2	8-719-974-51	s	DIODE SB20-03P
D3	*1 8-719-052-27	s	DIODE 1SS351
D4	*2 8-719-921-20	s	DIODE 1SS119-25
FL1	1-412-694-11	s	INDUCTOR, BEED
FL2	1-412-694-11	s	INDUCTOR, BEED
FL3	1-412-694-11	s	INDUCTOR, BEED
FL4	1-412-694-11	s	INDUCTOR, BEED
IC1	8-759-175-75	s	IC M51954BFP
IC2	8-759-582-57	s	IC UPD78011FGC-577-AB8
IC3	6-705-017-01	s	IC BR9020F-WE2
IC4	6-705-017-01	s	IC BR9020F-WE2
IC5	6-705-017-01	s	IC BR9020F-WE2
IC6	6-705-017-01	s	IC BR9020F-WE2
IC7	8-759-548-91	s	IC S-80830ALUP-EAT-T2
R2	1-216-073-00	s	METAL, CHIP 10K 5% 1/10W (2125)
R3	1-216-049-00	s	METAL, CHIP 1.0K 5% 1/10W (2125)
R4	1-216-097-00	s	METAL, CHIP 100K 5% 1/10W (2125)
R5	1-216-097-00	s	METAL, CHIP 100K 5% 1/10W (2125)
R6	1-216-097-00	s	METAL, CHIP 100K 5% 1/10W (2125)
R7	1-216-097-00	s	METAL, CHIP 100K 5% 1/10W (2125)
R8	1-216-097-00	s	METAL, CHIP 100K 5% 1/10W (2125)
R16	1-216-045-00	s	METAL, CHIP 680 5% 1/10W (2125)
R18	1-216-097-00	s	METAL, CHIP 100K 5% 1/10W (2125)
R20	1-216-097-00	s	METAL, CHIP 100K 5% 1/10W (2125)
R21	1-216-097-00	s	METAL, CHIP 100K 5% 1/10W (2125)
R23	1-216-097-00	s	METAL, CHIP 100K 5% 1/10W (2125)
R24	1-216-097-00	s	METAL, CHIP 100K 5% 1/10W (2125)
R25	1-216-097-00	s	METAL, CHIP 100K 5% 1/10W (2125)
RB1	1-239-309-11	s	RESISTOR BLOCK, CHIP 100Kx8
S2	1-571-908-11	s	SWITCH, SLIDE
S7	*A 1-570-157-51	s	SWITCH, SLIDE
S8	1-571-908-11	s	SWITCH, SLIDE
S12	1-570-157-51	s	SWITCH, SLIDE
S13	1-570-157-51	s	SWITCH, SLIDE
X1	1-579-599-21	s	RESONATOR, CERAMIC 8.38 MHz

-----  
 \*A: For DVW-A510P/CA510P only  
 \*1: LOT No. 705 through 810  
 \*2: LOT No. 707 through 810  
 \*3: LOT No. 710 or higher  
 -----

-----  
 VPR-1B BOARD suffix 18 or higher  
 -----

\*a: Lot No. 909-0A5

Ref. No. or Q'ty	Part No.	SP	Description
1pc	A-8275-337-C	o	MOUNTED CIRCUIT BOARD, VPR-1BAP
1pc	3-179-084-01	s	LEVER(R),PRINTED C,BOARD
1pc	3-179-085-01	s	LEVER(L),PRINTED C.BOARD
C50	1-163-037-11	s	CAPACITOR,CHIP CERAMIC 0.022MF
C51	1-163-037-11	s	CAPACITOR,CHIP CERAMIC 0.022MF
C52	1-163-037-11	s	CAPACITOR,CHIP CERAMIC 0.022MF
C53	1-163-037-11	s	CAPACITOR,CHIP CERAMIC 0.022MF
C54	1-163-037-11	s	CAPACITOR,CHIP CERAMIC 0.022MF
C55	1-163-037-11	s	CAPACITOR,CHIP CERAMIC 0.022MF
C56	1-163-037-11	s	CAPACITOR,CHIP CERAMIC 0.022MF
C57	1-163-037-11	s	CAPACITOR,CHIP CERAMIC 0.022MF
C58	1-163-037-11	s	CAPACITOR,CHIP CERAMIC 0.022MF
C59	1-163-037-11	s	CAPACITOR,CHIP CERAMIC 0.022MF
C60	1-163-037-11	s	CAPACITOR,CHIP CERAMIC 0.022MF
C61	1-164-690-11	s	CAPACITOR ,CERAMIC 2200PF CH
C62	1-163-035-00	s	CAPACITOR,CHIP CERAMIC 0.047MF
C63	1-163-037-11	s	CAPACITOR,CHIP CERAMIC 0.022MF
C64	1-163-037-11	s	CAPACITOR,CHIP CERAMIC 0.022MF
C65	1-163-037-11	s	CAPACITOR,CHIP CERAMIC 0.022MF
C66	1-163-037-11	s	CAPACITOR,CHIP CERAMIC 0.022MF
C67	1-163-037-11	s	CAPACITOR,CHIP CERAMIC 0.022MF
C68	1-163-037-11	s	CAPACITOR,CHIP CERAMIC 0.022MF
C69	1-163-037-11	s	CAPACITOR,CHIP CERAMIC 0.022MF
C70	1-163-037-11	s	CAPACITOR,CHIP CERAMIC 0.022MF
C71	1-163-037-11	s	CAPACITOR,CHIP CERAMIC 0.022MF
C72	1-163-037-11	s	CAPACITOR,CHIP CERAMIC 0.022MF
C73	1-163-037-11	s	CAPACITOR,CHIP CERAMIC 0.022MF
C74	1-104-920-11	s	CAPACITOR TANTALUM 4.7MF/35V
C75	1-163-251-11	s	CAPACITOR CERAMIC 100PF/50V
C76	1-111-253-11	s	CAPACITOR TANTALUM 100MF/6.3V
C77	1-104-920-11	s	CAPACITOR TANTALUM 4.7MF/35V
C78	1-163-112-00	s	CAPACITOR,CHIP CERAMIC 62PF
C79	1-111-253-11	s	CAPACITOR TANTALUM 100MF/6.3V
C311	1-163-227-11	s	CAPACITOR CERAMIC 10PF/50V(CH)
C313	1-163-037-11	s	CAPACITOR,CHIP CERAMIC 0.022MF
C336	1-126-964-11	s	CAPACITOR, ELECT 10MF/50V
C337	1-126-964-11	s	CAPACITOR, ELECT 10MF/50V
C339	1-163-021-91	s	CAPACITOR, CERAMIC 0.01MF/50V
C340	1-163-021-91	s	CAPACITOR, CERAMIC 0.01MF/50V
C500	1-126-964-11	s	CAPACITOR, ELECT 10MF/50V
C501	1-126-964-11	s	CAPACITOR, ELECT 10MF/50V
C502	1-126-964-11	s	CAPACITOR, ELECT 10MF/50V
C503	1-126-964-11	s	CAPACITOR, ELECT 10MF/50V
C504	1-163-021-91	s	CAPACITOR, CERAMIC 0.01MF/50V
C505	1-163-021-91	s	CAPACITOR, CERAMIC 0.01MF/50V
C506	1-163-021-91	s	CAPACITOR, CERAMIC 0.01MF/50V
C507	1-163-021-91	s	CAPACITOR, CERAMIC 0.01MF/50V
C508	1-163-037-11	s	CAPACITOR,CHIP CERAMIC 0.022MF
C509	1-163-037-11	s	CAPACITOR,CHIP CERAMIC 0.022MF
C510	1-163-037-11	s	CAPACITOR,CHIP CERAMIC 0.022MF
C511	1-163-037-11	s	CAPACITOR,CHIP CERAMIC 0.022MF
C512	1-126-933-11	s	CAPACITOR,ELECT 100MF/16V
C513	1-163-037-11	s	CAPACITOR,CHIP CERAMIC 0.022MF
C514	1-163-037-11	s	CAPACITOR,CHIP CERAMIC 0.022MF
C515	1-163-037-11	s	CAPACITOR,CHIP CERAMIC 0.022MF

(VPR-1B BOARD suffix 18 or higher)

(VPR-1B BOARD suffix 18 or higher)

Ref. No. or Q'ty	Part No.	SP	Description
C516	1-163-037-11	s	CAPACITOR,CHIP CERAMIC 0.022MF
C517	1-163-037-11	s	CAPACITOR,CHIP CERAMIC 0.022MF
C518	1-163-037-11	s	CAPACITOR,CHIP CERAMIC 0.022MF
C519	1-163-037-11	s	CAPACITOR,CHIP CERAMIC 0.022MF
C520	1-163-037-11	s	CAPACITOR,CHIP CERAMIC 0.022MF
C521	1-163-037-11	s	CAPACITOR,CHIP CERAMIC 0.022MF
C523	1-163-037-11	s	CAPACITOR,CHIP CERAMIC 0.022MF
C524	1-163-037-11	s	CAPACITOR,CHIP CERAMIC 0.022MF
C525	1-163-037-11	s	CAPACITOR,CHIP CERAMIC 0.022MF
C526	1-163-037-11	s	CAPACITOR,CHIP CERAMIC 0.022MF
C527	1-163-037-11	s	CAPACITOR,CHIP CERAMIC 0.022MF
C528	1-126-933-11	s	CAPACITOR,ELECT 100MF/16V
C529	1-163-809-11	s	CAPACITOR,CHIP CERAMIC 0.047MF
C530	1-163-037-11	s	CAPACITOR,CHIP CERAMIC 0.022MF
C531	1-163-037-11	s	CAPACITOR,CHIP CERAMIC 0.022MF
C532	1-163-037-11	s	CAPACITOR,CHIP CERAMIC 0.022MF
C533	1-135-167-21	s	CAPACITOR,CHIP TANTALUM 68MF
C534	1-135-167-21	s	CAPACITOR,CHIP TANTALUM 68MF
C535	1-163-037-11	s	CAPACITOR,CHIP CERAMIC 0.022MF
C536	1-126-933-11	s	CAPACITOR,ELECT 100MF/16V
C537	1-163-037-11	s	CAPACITOR,CHIP CERAMIC 0.022MF
C538	1-126-933-11	s	CAPACITOR,ELECT 100MF/16V
C539	1-126-933-11	s	CAPACITOR,ELECT 100MF/16V
C540	1-163-037-11	s	CAPACITOR,CHIP CERAMIC 0.022MF
C541	1-126-964-11	s	CAPACITOR, ELECT 10MF/50V
C542	1-126-964-11	s	CAPACITOR, ELECT 10MF/50V
C543	1-126-964-11	s	CAPACITOR, ELECT 10MF/50V
C544	1-163-037-11	s	CAPACITOR,CHIP CERAMIC 0.022MF
C545	1-163-021-91	s	CAPACITOR, CERAMIC 0.01MF/50V
C546	1-163-021-91	s	CAPACITOR, CERAMIC 0.01MF/50V
C547	1-163-021-91	s	CAPACITOR, CERAMIC 0.01MF/50V
C548	1-126-925-11	s	CAPACITOR,ELECT 470MF/10V
C549	1-163-037-11	s	CAPACITOR,CHIP CERAMIC 0.022MF
C550	1-164-690-11	s	CAPACITOR ,CERAMIC 2200PF CH
C551	1-164-685-91	s	CAPACITOR, CHIP CERAMIC 1300PF
C552	1-163-089-00	s	CAPACITOR,CHIP CERAMIC 6.0PF
C553	1-126-933-11	s	CAPACITOR,ELECT 100MF/16V
C554	1-163-037-11	s	CAPACITOR,CHIP CERAMIC 0.022MF
C555	1-164-690-11	s	CAPACITOR ,CERAMIC 2200PF CH
C560	1-164-690-11	s	CAPACITOR ,CERAMIC 2200PF CH
C565	1-164-690-11	s	CAPACITOR ,CERAMIC 2200PF CH
C566	1-164-685-91	s	CAPACITOR, CHIP CERAMIC 1300PF
C567	1-163-089-00	s	CAPACITOR,CHIP CERAMIC 6.0PF
C570	1-164-690-11	s	CAPACITOR ,CERAMIC 2200PF CH
C571	1-164-685-91	s	CAPACITOR, CHIP CERAMIC 1300PF
C572	1-163-089-00	s	CAPACITOR,CHIP CERAMIC 6.0PF
C598	1-163-220-11	s	CAPACITOR, CHIP CERAMIC 3.0PF
C599	1-163-220-11	s	CAPACITOR, CHIP CERAMIC 3.0PF
C600	1-163-037-11	s	CAPACITOR,CHIP CERAMIC 0.022MF
C601	1-126-933-11	s	CAPACITOR,ELECT 100MF/16V
C602	1-163-037-11	s	CAPACITOR,CHIP CERAMIC 0.022MF
C603	1-127-516-11	s	CAPACITOR,ELECT (SOLID)220MF
C604	1-163-037-11	s	CAPACITOR,CHIP CERAMIC 0.022MF
C605	1-163-038-91	s	CAPACITOR, CERAMIC 0.1MF/25V
C606	1-163-037-11	s	CAPACITOR,CHIP CERAMIC 0.022MF
C607	1-163-037-11	s	CAPACITOR,CHIP CERAMIC 0.022MF
C608	1-163-037-11	s	CAPACITOR,CHIP CERAMIC 0.022MF
C609	1-163-038-91	s	CAPACITOR, CERAMIC 0.1MF/25V
C610	1-163-037-11	s	CAPACITOR,CHIP CERAMIC 0.022MF

Ref. No. or Q'ty	Part No.	SP	Description
C611	1-163-038-91	s	CAPACITOR, CERAMIC 0.1MF/25V
C612	1-163-037-11	s	CAPACITOR,CHIP CERAMIC 0.022MF
C613	1-163-037-11	s	CAPACITOR,CHIP CERAMIC 0.022MF
C614	1-127-516-11	s	CAPACITOR,ELECT (SOLID)220MF
C615	1-163-037-11	s	CAPACITOR,CHIP CERAMIC 0.022MF
C616	1-163-038-91	s	CAPACITOR, CERAMIC 0.1MF/25V
C617	1-163-037-11	s	CAPACITOR,CHIP CERAMIC 0.022MF
C618	1-135-157-21	s	CAPACITOR TANTALUM 10MF/6.3V
C619	1-163-037-11	s	CAPACITOR,CHIP CERAMIC 0.022MF
C620	1-163-087-00	s	CAPACITOR,CHIP CERAMIC 4.0PF
C621	1-163-037-11	s	CAPACITOR,CHIP CERAMIC 0.022MF
C622	1-163-037-11	s	CAPACITOR,CHIP CERAMIC 0.022MF
C624	1-163-243-11	s	CAPACITOR CHIP CERAMIC 47PF/50
C625	1-163-251-11	s	CAPACITOR CERAMIC 100PF/50V
C626	1-135-157-21	s	CAPACITOR TANTALUM 10MF/6.3V
C628	1-163-037-11	s	CAPACITOR,CHIP CERAMIC 0.022MF
C629	1-163-037-11	s	CAPACITOR,CHIP CERAMIC 0.022MF
C630	1-163-037-11	s	CAPACITOR,CHIP CERAMIC 0.022MF
C631	1-163-037-11	s	CAPACITOR,CHIP CERAMIC 0.022MF
C632	1-163-037-11	s	CAPACITOR,CHIP CERAMIC 0.022MF
C633	1-163-037-11	s	CAPACITOR,CHIP CERAMIC 0.022MF
C634	1-163-037-11	s	CAPACITOR,CHIP CERAMIC 0.022MF
C635	1-127-516-11	s	CAPACITOR,ELECT (SOLID)220MF
C636	1-163-037-11	s	CAPACITOR,CHIP CERAMIC 0.022MF
C637	1-163-037-11	s	CAPACITOR,CHIP CERAMIC 0.022MF
C638	1-163-037-11	s	CAPACITOR,CHIP CERAMIC 0.022MF
C639	1-163-037-11	s	CAPACITOR,CHIP CERAMIC 0.022MF
C640	1-163-037-11	s	CAPACITOR,CHIP CERAMIC 0.022MF
C641	1-135-210-11	s	CAPACITOR TANTAL 4.7MF/10V
C642	1-135-210-11	s	CAPACITOR TANTAL 4.7MF/10V
C643	1-135-210-11	s	CAPACITOR TANTAL 4.7MF/10V
C644	1-135-210-11	s	CAPACITOR TANTAL 4.7MF/10V
C645	1-135-210-11	s	CAPACITOR TANTAL 4.7MF/10V
C646	1-135-210-11	s	CAPACITOR TANTAL 4.7MF/10V
C647	1-135-177-21	s	CAPACITOR TANTALUM 1MF/25V
C648	1-135-177-21	s	CAPACITOR TANTALUM 1MF/25V
C649	1-135-177-21	s	CAPACITOR TANTALUM 1MF/25V
C650	1-163-037-11	s	CAPACITOR,CHIP CERAMIC 0.022MF
C651	1-163-037-11	s	CAPACITOR,CHIP CERAMIC 0.022MF
C652	1-163-037-11	s	CAPACITOR,CHIP CERAMIC 0.022MF
C653	1-163-037-11	s	CAPACITOR,CHIP CERAMIC 0.022MF
C654	1-163-037-11	s	CAPACITOR,CHIP CERAMIC 0.022MF
C655	1-163-037-11	s	CAPACITOR,CHIP CERAMIC 0.022MF
C656	1-163-037-11	s	CAPACITOR,CHIP CERAMIC 0.022MF
C657	1-126-933-11	s	CAPACITOR,ELECT 100MF/16V
C658	1-127-516-11	s	CAPACITOR,ELECT (SOLID)220MF
C659	1-163-037-11	s	CAPACITOR,CHIP CERAMIC 0.022MF
C660	1-135-157-21	s	CAPACITOR TANTALUM 10MF/6.3V
C661	1-163-037-11	s	CAPACITOR,CHIP CERAMIC 0.022MF
C662	1-163-037-11	s	CAPACITOR,CHIP CERAMIC 0.022MF
C663	1-163-037-11	s	CAPACITOR,CHIP CERAMIC 0.022MF
C664	1-163-037-11	s	CAPACITOR,CHIP CERAMIC 0.022MF
C665	1-163-038-91	s	CAPACITOR, CERAMIC 0.1MF/25V
C666	1-163-038-91	s	CAPACITOR, CERAMIC 0.1MF/25V
C667	1-163-038-91	s	CAPACITOR, CERAMIC 0.1MF/25V
C668	1-163-037-11	s	CAPACITOR,CHIP CERAMIC 0.022MF
C670	1-163-037-11	s	CAPACITOR,CHIP CERAMIC 0.022MF
C671	1-163-038-91	s	CAPACITOR, CERAMIC 0.1MF/25V
C672	1-163-037-11	s	CAPACITOR,CHIP CERAMIC 0.022MF

(VPR-1B BOARD suffix 18 or higher)

Ref. No. or Q'ty	Part No.	SP	Description
C673	1-163-037-11	s	CAPACITOR,CHIP CERAMIC 0.022MF
C674	1-135-157-21	s	CAPACITOR TANTALUM 10MF/6.3V
C675	1-163-037-11	s	CAPACITOR,CHIP CERAMIC 0.022MF
C676	1-163-220-11	s	CAPACITOR, CHIP CERAMIC 3.0PF
C677	1-163-037-11	s	CAPACITOR,CHIP CERAMIC 0.022MF
C678	1-163-037-11	s	CAPACITOR,CHIP CERAMIC 0.022MF
C679	1-135-157-21	s	CAPACITOR TANTALUM 10MF/6.3V
C680	1-127-516-11	s	CAPACITOR,ELECT (SOLID)220MF
C681	1-127-516-11	s	CAPACITOR,ELECT (SOLID)220MF
C682	1-163-220-11	s	CAPACITOR, CHIP CERAMIC 3.0PF
C683	1-163-037-11	s	CAPACITOR,CHIP CERAMIC 0.022MF
C684	1-163-037-11	s	CAPACITOR,CHIP CERAMIC 0.022MF
C685	1-163-037-11	s	CAPACITOR,CHIP CERAMIC 0.022MF
C686	1-163-037-11	s	CAPACITOR,CHIP CERAMIC 0.022MF
C687	1-163-037-11	s	CAPACITOR,CHIP CERAMIC 0.022MF
C688	1-163-037-11	s	CAPACITOR,CHIP CERAMIC 0.022MF
C689	1-163-037-11	s	CAPACITOR,CHIP CERAMIC 0.022MF
C691	1-163-037-11	s	CAPACITOR,CHIP CERAMIC 0.022MF
C692	1-163-251-11	s	CAPACITOR CERAMIC 100PF/50V
C693	1-163-127-00	s	CAPACITOR,CHIP CERAMIC 270PF
C694	1-163-251-11	s	CAPACITOR CERAMIC 100PF/50V
C695	1-163-037-11	s	CAPACITOR,CHIP CERAMIC 0.022MF
C696	1-163-037-11	s	CAPACITOR,CHIP CERAMIC 0.022MF
C697	1-135-210-11	s	CAPACITOR TANTAL 4.7MF/10V
C698	1-135-210-11	s	CAPACITOR TANTAL 4.7MF/10V
C699	1-135-210-11	s	CAPACITOR TANTAL 4.7MF/10V
C700	1-135-210-11	s	CAPACITOR TANTAL 4.7MF/10V
C701	1-135-177-21	s	CAPACITOR TANTALUM 1MF/25V
C702	1-135-177-21	s	CAPACITOR TANTALUM 1MF/25V
C703	1-163-037-11	s	CAPACITOR,CHIP CERAMIC 0.022MF
C704	1-163-037-11	s	CAPACITOR,CHIP CERAMIC 0.022MF
C705	1-163-222-11	s	CAPACITOR, CHIP CERAMIC 5.0PF
C706	1-163-243-11	s	CAPACITOR CHIP CERAMIC 47PF/50
C707	1-163-037-11	s	CAPACITOR,CHIP CERAMIC 0.022MF
C708	1-163-037-11	s	CAPACITOR,CHIP CERAMIC 0.022MF
C709	1-163-037-11	s	CAPACITOR,CHIP CERAMIC 0.022MF
C710	1-163-037-11	s	CAPACITOR,CHIP CERAMIC 0.022MF
C711	1-163-227-11	s	CAPACITOR CERAMIC 10PF/50V(CH)
C712	1-163-037-11	s	CAPACITOR,CHIP CERAMIC 0.022MF
C713	1-104-914-11	s	CAPACITOR CHIP TANTAL 22MF/16V
C714	1-163-037-11	s	CAPACITOR,CHIP CERAMIC 0.022MF
C715	1-163-037-11	s	CAPACITOR,CHIP CERAMIC 0.022MF
C716	1-163-037-11	s	CAPACITOR,CHIP CERAMIC 0.022MF
C717	1-163-037-11	s	CAPACITOR,CHIP CERAMIC 0.022MF
C718	1-163-037-11	s	CAPACITOR,CHIP CERAMIC 0.022MF
C719	1-163-037-11	s	CAPACITOR,CHIP CERAMIC 0.022MF
C745	1-163-038-91	s	CAPACITOR, CERAMIC 0.1MF/25V
C746	1-163-038-91	s	CAPACITOR, CERAMIC 0.1MF/25V
C747	1-163-038-91	s	CAPACITOR, CERAMIC 0.1MF/25V
C748	1-163-038-91	s	CAPACITOR, CERAMIC 0.1MF/25V
C749	1-163-038-91	s	CAPACITOR, CERAMIC 0.1MF/25V
C750	1-126-947-11	s	CAPACITOR, ELECT 47MF/35V
C751	1-126-933-11	s	CAPACITOR,ELECT 100MF/16V
C752	1-126-933-11	s	CAPACITOR,ELECT 100MF/16V
C753	1-126-933-11	s	CAPACITOR,ELECT 100MF/16V
C754	1-126-933-11	s	CAPACITOR,ELECT 100MF/16V
C755	1-126-933-11	s	CAPACITOR,ELECT 100MF/16V
C757	1-126-933-11	s	CAPACITOR,ELECT 100MF/16V
C758	1-163-037-11	s	CAPACITOR,CHIP CERAMIC 0.022MF

(VPR-1B BOARD suffix 18 or higher)

Ref. No. or Q'ty	Part No.	SP	Description
C760	1-163-037-11	s	CAPACITOR,CHIP CERAMIC 0.022MF
C762	1-126-933-11	s	CAPACITOR,ELECT 100MF/16V
C765	1-163-037-11	s	CAPACITOR,CHIP CERAMIC 0.022MF
C767	1-126-947-11	s	CAPACITOR, ELECT 47MF/35V
C769	1-163-037-11	s	CAPACITOR,CHIP CERAMIC 0.022MF
C771	1-126-933-11	s	CAPACITOR,ELECT 100MF/16V
C772	1-163-037-11	s	CAPACITOR,CHIP CERAMIC 0.022MF
C773	1-163-037-11	s	CAPACITOR,CHIP CERAMIC 0.022MF
C774	1-163-037-11	s	CAPACITOR,CHIP CERAMIC 0.022MF
C775	1-163-037-11	s	CAPACITOR,CHIP CERAMIC 0.022MF
C776	1-126-933-11	s	CAPACITOR,ELECT 100MF/16V
C777	1-163-037-11	s	CAPACITOR,CHIP CERAMIC 0.022MF
C778	1-126-933-11	s	CAPACITOR,ELECT 100MF/16V
C779	1-163-037-11	s	CAPACITOR,CHIP CERAMIC 0.022MF
C780	1-163-037-11	s	CAPACITOR,CHIP CERAMIC 0.022MF
C781	1-163-037-11	s	CAPACITOR,CHIP CERAMIC 0.022MF
C782	1-163-037-11	s	CAPACITOR,CHIP CERAMIC 0.022MF
C784	1-126-964-11	s	CAPACITOR, ELECT 10MF/50V
C785	1-163-038-91	s	CAPACITOR, CERAMIC 0.1MF/25V
C786	1-163-037-11	s	CAPACITOR,CHIP CERAMIC 0.022MF
C787	1-163-037-11	s	CAPACITOR,CHIP CERAMIC 0.022MF
C788	1-163-037-11	s	CAPACITOR,CHIP CERAMIC 0.022MF
C789	1-163-037-11	s	CAPACITOR,CHIP CERAMIC 0.022MF
C790	1-163-037-11	s	CAPACITOR,CHIP CERAMIC 0.022MF
C791	1-163-037-11	s	CAPACITOR,CHIP CERAMIC 0.022MF
C792	1-163-037-11	s	CAPACITOR,CHIP CERAMIC 0.022MF
C793	1-163-275-11	s	CAPACITOR CERAMIC 1000PF/50V
C796	1-163-037-11	s	CAPACITOR,CHIP CERAMIC 0.022MF
C802	1-163-037-11	s	CAPACITOR,CHIP CERAMIC 0.022MF
C803	1-163-037-11	s	CAPACITOR,CHIP CERAMIC 0.022MF
C805	1-163-037-11	s	CAPACITOR,CHIP CERAMIC 0.022MF
C807	1-163-037-11	s	CAPACITOR,CHIP CERAMIC 0.022MF
C809	1-163-037-11	s	CAPACITOR,CHIP CERAMIC 0.022MF
C812	1-163-037-11	s	CAPACITOR,CHIP CERAMIC 0.022MF
C814	1-163-037-11	s	CAPACITOR,CHIP CERAMIC 0.022MF
C816	1-163-037-11	s	CAPACITOR,CHIP CERAMIC 0.022MF
C818	1-163-037-11	s	CAPACITOR,CHIP CERAMIC 0.022MF
C821	1-163-037-11	s	CAPACITOR,CHIP CERAMIC 0.022MF
C822	1-163-037-11	s	CAPACITOR,CHIP CERAMIC 0.022MF
C823	1-163-037-11	s	CAPACITOR,CHIP CERAMIC 0.022MF
C824	1-163-037-11	s	CAPACITOR,CHIP CERAMIC 0.022MF
C1000	1-126-933-11	s	CAPACITOR,ELECT 100MF/16V
C1001	1-163-239-11	s	CAPACITOR,CHIP CERAMIC33PF/50V
C1002	1-126-933-11	s	CAPACITOR,ELECT 100MF/16V
C1003	1-163-037-11	s	CAPACITOR,CHIP CERAMIC 0.022MF
C1004	1-163-259-91	s	CAPACITOR,CHIP CERAMIC 220PF
C1005	1-163-021-91	s	CAPACITOR, CERAMIC 0.01MF/50V
C1006	1-163-037-11	s	CAPACITOR,CHIP CERAMIC 0.022MF
C1007	1-163-133-00	s	CAPACITOR,CHIP CERAMIC 470PF
C1008	1-126-933-11	s	CAPACITOR,ELECT 100MF/16V
C1009	1-126-933-11	s	CAPACITOR,ELECT 100MF/16V
C1010	1-126-933-11	s	CAPACITOR,ELECT 100MF/16V
C1011	1-163-037-11	s	CAPACITOR,CHIP CERAMIC 0.022MF
C1012	1-163-037-11	s	CAPACITOR,CHIP CERAMIC 0.022MF
C1013	1-163-037-11	s	CAPACITOR,CHIP CERAMIC 0.022MF
C1014	1-163-021-91	s	CAPACITOR, CERAMIC 0.01MF/50V
C1015	1-104-559-11	s	CAPACITOR FILM 0.047MF/16V
C1018	1-163-251-11	s	CAPACITOR CERAMIC 100PF/50V
C1020	1-163-037-11	s	CAPACITOR,CHIP CERAMIC 0.022MF

(VPR-1B BOARD suffix 18 or higher)

Ref. No. or Q'ty	Part No.	SP	Description
C1021	1-163-038-91	s	CAPACITOR, CERAMIC 0.1MF/25V
C1022	1-163-038-91	s	CAPACITOR, CERAMIC 0.1MF/25V
C1024	1-163-037-11	s	CAPACITOR,CHIP CERAMIC 0.022MF
C1025	1-163-133-00	s	CAPACITOR,CHIP CERAMIC 470PF
C1026	1-163-037-11	s	CAPACITOR,CHIP CERAMIC 0.022MF
C1027	1-163-239-11	s	CAPACITOR,CHIP CERAMIC33PF/50V
C1028	1-163-259-91	s	CAPACITOR,CHIP CERAMIC 220PF
C1029	1-104-547-11	s	CAPACITOR FILM 0.0047MF/16V
C1030	1-163-037-11	s	CAPACITOR,CHIP CERAMIC 0.022MF
C1031	1-163-037-11	s	CAPACITOR,CHIP CERAMIC 0.022MF
C1032	1-163-037-11	s	CAPACITOR,CHIP CERAMIC 0.022MF
C1033	1-163-259-91	s	CAPACITOR,CHIP CERAMIC 220PF
C1034	1-163-235-11	s	CAPACITOR,CHIP CERAMIC22PF/50V
C1035	1-163-235-11	s	CAPACITOR,CHIP CERAMIC22PF/50V
C1036	1-163-235-11	s	CAPACITOR,CHIP CERAMIC22PF/50V
C1037	1-104-547-11	s	CAPACITOR FILM 0.0047MF/16V
C1038	1-163-021-91	s	CAPACITOR, CERAMIC 0.01MF/50V
C1039	1-163-021-91	s	CAPACITOR, CERAMIC 0.01MF/50V
C1040	1-163-235-11	s	CAPACITOR,CHIP CERAMIC22PF/50V
C1041	1-163-037-11	s	CAPACITOR,CHIP CERAMIC 0.022MF
C1042	1-163-037-11	s	CAPACITOR,CHIP CERAMIC 0.022MF
C1043	1-163-085-00	s	CAPACITOR,CHIP CERAMIC 2.0PF
C1044	1-163-179-21	s	CAPACITOR,CHIP CERAMIC 6.0PF
C1045	1-163-037-11	s	CAPACITOR,CHIP CERAMIC 0.022MF
C1046	1-163-038-91	s	CAPACITOR, CERAMIC 0.1MF/25V
C1048	1-163-239-11	s	CAPACITOR,CHIP CERAMIC33PF/50V
C1049	1-104-920-11	s	CAPACITOR TANTALUM 4.7MF/35V
C1050	1-104-920-11	s	CAPACITOR TANTALUM 4.7MF/35V
C1051	1-163-037-11	s	CAPACITOR,CHIP CERAMIC 0.022MF
C1052	1-163-037-11	s	CAPACITOR,CHIP CERAMIC 0.022MF
C1053	1-126-933-11	s	CAPACITOR,ELECT 100MF/16V
C1055	1-163-037-11	s	CAPACITOR,CHIP CERAMIC 0.022MF
C1056	1-135-179-21	s	CAPACITOR,TANTALUM 2.2MF/16V
C1057	1-126-933-11	s	CAPACITOR,ELECT 100MF/16V
C1059	1-163-037-11	s	CAPACITOR,CHIP CERAMIC 0.022MF
C1060	1-163-037-11	s	CAPACITOR,CHIP CERAMIC 0.022MF
C1061	1-163-037-11	s	CAPACITOR,CHIP CERAMIC 0.022MF
C1063	1-126-933-11	s	CAPACITOR,ELECT 100MF/16V
C1064	1-126-933-11	s	CAPACITOR,ELECT 100MF/16V
C1065	1-163-037-11	s	CAPACITOR,CHIP CERAMIC 0.022MF
C1066	1-163-037-11	s	CAPACITOR,CHIP CERAMIC 0.022MF
C1067	1-163-037-11	s	CAPACITOR,CHIP CERAMIC 0.022MF
C1068	1-126-933-11	s	CAPACITOR,ELECT 100MF/16V
C1069	1-163-037-11	s	CAPACITOR,CHIP CERAMIC 0.022MF
C1070	1-126-933-11	s	CAPACITOR,ELECT 100MF/16V
C1071	1-163-038-91	s	CAPACITOR, CERAMIC 0.1MF/25V
C1073	1-163-037-11	s	CAPACITOR,CHIP CERAMIC 0.022MF
C1074	1-163-037-11	s	CAPACITOR,CHIP CERAMIC 0.022MF
C1075	1-163-037-11	s	CAPACITOR,CHIP CERAMIC 0.022MF
C1076	1-163-037-11	s	CAPACITOR,CHIP CERAMIC 0.022MF
C1078	1-163-037-11	s	CAPACITOR,CHIP CERAMIC 0.022MF
C1080	1-163-037-11	s	CAPACITOR,CHIP CERAMIC 0.022MF
C1081	1-163-037-11	s	CAPACITOR,CHIP CERAMIC 0.022MF
C1082	1-163-235-11	s	CAPACITOR,CHIP CERAMIC22PF/50V
C1084	1-163-037-11	s	CAPACITOR,CHIP CERAMIC 0.022MF
C1086	1-163-037-11	s	CAPACITOR,CHIP CERAMIC 0.022MF
C1087	1-163-037-11	s	CAPACITOR,CHIP CERAMIC 0.022MF
C1088	1-163-235-11	s	CAPACITOR,CHIP CERAMIC22PF/50V
C1089	1-163-037-11	s	CAPACITOR,CHIP CERAMIC 0.022MF

(VPR-1B BOARD suffix 18 or higher)

Ref. No. or Q'ty	Part No.	SP	Description
C1090	1-163-251-11	s	CAPACITOR CERAMIC 100PF/50V
C1091	1-163-038-91	s	CAPACITOR, CERAMIC 0.1MF/25V
C1093	1-126-933-11	s	CAPACITOR,ELECT 100MF/16V
C1094	1-163-038-91	s	CAPACITOR, CERAMIC 0.1MF/25V
C1096	1-163-037-11	s	CAPACITOR,CHIP CERAMIC 0.022MF
C1098	1-126-933-11	s	CAPACITOR,ELECT 100MF/16V
C1099	1-163-037-11	s	CAPACITOR,CHIP CERAMIC 0.022MF
C1100	1-163-255-91	s	CAPACITOR,CHIP CERAMIC 150PF
C1101	1-163-037-11	s	CAPACITOR,CHIP CERAMIC 0.022MF
C1102	1-163-038-91	s	CAPACITOR, CERAMIC 0.1MF/25V
C1103	1-126-933-11	s	CAPACITOR,ELECT 100MF/16V
C1104	1-163-037-11	s	CAPACITOR,CHIP CERAMIC 0.022MF
C1105	1-163-037-11	s	CAPACITOR,CHIP CERAMIC 0.022MF
C1106	1-163-037-11	s	CAPACITOR,CHIP CERAMIC 0.022MF
C1107	1-126-933-11	s	CAPACITOR,ELECT 100MF/16V
C1108	1-163-275-11	s	CAPACITOR CERAMIC 1000PF/50V
C1109	1-163-037-11	s	CAPACITOR,CHIP CERAMIC 0.022MF
C1110	1-163-037-11	s	CAPACITOR,CHIP CERAMIC 0.022MF
C1111	1-126-964-11	s	CAPACITOR, ELECT 10MF/50V
C1112	1-163-037-11	s	CAPACITOR,CHIP CERAMIC 0.022MF
C1113	1-163-113-00	s	CAPACITOR,CHIP CERAMIC 68PF/50
C1114	1-163-259-91	s	CAPACITOR,CHIP CERAMIC 220PF
C1115	1-163-037-11	s	CAPACITOR,CHIP CERAMIC 0.022MF
C1116	1-163-113-00	s	CAPACITOR,CHIP CERAMIC 68PF/50
C1117	1-163-037-11	s	CAPACITOR,CHIP CERAMIC 0.022MF
C1118	1-163-037-11	s	CAPACITOR,CHIP CERAMIC 0.022MF
C1119	1-163-037-11	s	CAPACITOR,CHIP CERAMIC 0.022MF
C1120	1-163-037-11	s	CAPACITOR,CHIP CERAMIC 0.022MF
C1121	1-163-037-11	s	CAPACITOR,CHIP CERAMIC 0.022MF
C1122	1-163-037-11	s	CAPACITOR,CHIP CERAMIC 0.022MF
C1124	1-163-038-91	s	CAPACITOR, CERAMIC 0.1MF/25V
C1125	1-163-037-11	s	CAPACITOR,CHIP CERAMIC 0.022MF
C1126	1-126-933-11	s	CAPACITOR,ELECT 100MF/16V
C1127	1-126-933-11	s	CAPACITOR,ELECT 100MF/16V
C1128	1-163-037-11	s	CAPACITOR,CHIP CERAMIC 0.022MF
C1129	1-163-038-91	s	CAPACITOR, CERAMIC 0.1MF/25V
C1130	1-163-037-11	s	CAPACITOR,CHIP CERAMIC 0.022MF
C1132	1-163-037-11	s	CAPACITOR,CHIP CERAMIC 0.022MF
C1133	1-126-933-11	s	CAPACITOR,ELECT 100MF/16V
C1134	1-163-037-11	s	CAPACITOR,CHIP CERAMIC 0.022MF
C1135	1-163-037-11	s	CAPACITOR,CHIP CERAMIC 0.022MF
C1136	1-163-037-11	s	CAPACITOR,CHIP CERAMIC 0.022MF
C1137	1-163-037-11	s	CAPACITOR,CHIP CERAMIC 0.022MF
C1139	1-163-037-11	s	CAPACITOR,CHIP CERAMIC 0.022MF
C1140	1-163-113-00	s	CAPACITOR,CHIP CERAMIC 68PF/50
C1141	1-163-037-11	s	CAPACITOR,CHIP CERAMIC 0.022MF
C1143	1-163-259-91	s	CAPACITOR,CHIP CERAMIC 220PF
C1144	1-163-037-11	s	CAPACITOR,CHIP CERAMIC 0.022MF
C1145	1-163-037-11	s	CAPACITOR,CHIP CERAMIC 0.022MF
C1146	1-163-113-00	s	CAPACITOR,CHIP CERAMIC 68PF/50
C1147	1-163-037-11	s	CAPACITOR,CHIP CERAMIC 0.022MF
C1148	1-163-037-11	s	CAPACITOR,CHIP CERAMIC 0.022MF
C1149	1-163-037-11	s	CAPACITOR,CHIP CERAMIC 0.022MF
C1150	1-164-222-11	s	CAPACITOR,CHIP CERAMIC 0.22MF
C1151	1-163-037-11	s	CAPACITOR,CHIP CERAMIC 0.022MF
C1152	1-163-037-11	s	CAPACITOR,CHIP CERAMIC 0.022MF
C1153	1-135-179-21	s	CAPACITOR,TANTALUM 2.2MF/16V
C1156	1-126-933-11	s	CAPACITOR,ELECT 100MF/16V
C1157	1-126-933-11	s	CAPACITOR,ELECT 100MF/16V

(VPR-1B BOARD suffix 18 or higher)

Ref. No. or Q'ty	Part No.	SP	Description
C1158	1-163-037-11	s	CAPACITOR,CHIP CERAMIC 0.022MF
C1159	1-163-037-11	s	CAPACITOR,CHIP CERAMIC 0.022MF
C1160	1-163-037-11	s	CAPACITOR,CHIP CERAMIC 0.022MF
C1161	1-163-037-11	s	CAPACITOR,CHIP CERAMIC 0.022MF
C1162	1-163-037-11	s	CAPACITOR,CHIP CERAMIC 0.022MF
C1163	1-163-037-11	s	CAPACITOR,CHIP CERAMIC 0.022MF
C1164	1-126-964-11	s	CAPACITOR, ELECT 10MF/50V
C1165	1-163-021-91	s	CAPACITOR, CERAMIC 0.01MF/50V
C1166	1-126-964-11	s	CAPACITOR, ELECT 10MF/50V
C1167	1-126-964-11	s	CAPACITOR, ELECT 10MF/50V
C1168	1-126-964-11	s	CAPACITOR, ELECT 10MF/50V
C1169	1-126-964-11	s	CAPACITOR, ELECT 10MF/50V
C1170	1-163-021-91	s	CAPACITOR, CERAMIC 0.01MF/50V
C1171	1-163-021-91	s	CAPACITOR, CERAMIC 0.01MF/50V
C1172	1-163-021-91	s	CAPACITOR, CERAMIC 0.01MF/50V
C1173	1-163-021-91	s	CAPACITOR, CERAMIC 0.01MF/50V
C1174	1-163-137-00	s	CAPACITOR,CHIP CERAMIC 680PF
C1175	1-163-251-11	s	CAPACITOR CERAMIC 100PF/50V
C1176	1-163-251-11	s	CAPACITOR CERAMIC 100PF/50V
C1177	1-163-037-11	s	CAPACITOR,CHIP CERAMIC 0.022MF
C1178	1-135-227-11	s	CAPACITOR,TANTALUM 100MF/6.3V
C1179	1-135-227-11	s	CAPACITOR,TANTALUM 100MF/6.3V
C1183	1-163-037-11	s	CAPACITOR,CHIP CERAMIC 0.022MF
C1184	1-126-933-11	s	CAPACITOR,ELECT 100MF/16V
C1185	1-163-037-11	s	CAPACITOR,CHIP CERAMIC 0.022MF
C1186	1-104-914-11	s	CAPACITOR CHIP TANTAL 22MF/16V
C1187	1-135-227-11	s	CAPACITOR,TANTALUM 100MF/6.3V
C1188	1-135-227-11	s	CAPACITOR,TANTALUM 100MF/6.3V
C1190	1-163-037-11	s	CAPACITOR,CHIP CERAMIC 0.022MF
C1191	1-163-037-11	s	CAPACITOR,CHIP CERAMIC 0.022MF
C1192	1-163-037-11	s	CAPACITOR,CHIP CERAMIC 0.022MF
C1200	1-163-137-00	s	CAPACITOR,CHIP CERAMIC 680PF
C1202	1-163-037-11	s	CAPACITOR,CHIP CERAMIC 0.022MF
C1203	1-163-137-00	s	CAPACITOR,CHIP CERAMIC 680PF
C1204	1-163-137-00	s	CAPACITOR,CHIP CERAMIC 680PF
C1205	1-163-037-11	s	CAPACITOR,CHIP CERAMIC 0.022MF
C1225	1-163-037-11	s	CAPACITOR,CHIP CERAMIC 0.022MF
C1226	1-163-037-11	s	CAPACITOR,CHIP CERAMIC 0.022MF
CN113	1-573-600-21	s	CONNECTOR, PC BOARD (PLUG)100P
CN114	1-573-600-21	s	CONNECTOR, PC BOARD (PLUG)100P
CN115	1-573-600-21	s	CONNECTOR, PC BOARD (PLUG)100P
D603	8-719-023-69	s	DIODE SB007T03Q
D604	8-719-023-69	s	DIODE SB007T03Q
D605	8-719-023-69	s	DIODE SB007T03Q
D606	8-719-023-69	s	DIODE SB007T03Q
D607	8-719-023-69	s	DIODE SB007T03Q
D750	8-719-941-23	s	DIODE DA204U
D751	8-719-941-23	s	DIODE DA204U
D752	8-719-023-69	s	DIODE SB007T03Q
D753	8-719-023-69	s	DIODE SB007T03Q
D754	8-719-023-69	s	DIODE SB007T03Q
D1000	8-719-941-23	s	DIODE DA204U
D1002	8-719-941-23	s	DIODE DA204U
D1003	8-719-941-23	s	DIODE DA204U
D1004	8-719-941-23	s	DIODE DA204U
D1005	8-719-941-23	s	DIODE DA204U
D1006	8-719-023-69	s	DIODE SB007T03Q
D1007	8-719-941-23	s	DIODE DA204U

(VPR-1B BOARD suffix 18 or higher)

Ref. No. or Q'ty	Part No.	SP	Description
D1009	8-719-023-69	s	DIODE SB007T03Q
D1010	8-719-023-69	s	DIODE SB007T03Q
E300	1-535-881-21	o	TERMINAL, TP (AUTO INSERTION)
E500	1-535-881-21	o	TERMINAL, TP (AUTO INSERTION)
E600	*a 1-535-881-21	o	TERMINAL, TP (AUTO INSERTION)
E601	1-535-881-21	o	TERMINAL, TP (AUTO INSERTION)
E750	*a 1-535-881-21	o	TERMINAL, TP (AUTO INSERTION)
E1000	1-535-881-21	o	TERMINAL, TP (AUTO INSERTION)
E1001	*a 1-535-881-21	o	TERMINAL, TP (AUTO INSERTION)
FB306	1-543-644-11	s	BEAD, FERRITE (CHIP)
FB307	1-543-644-11	s	BEAD, FERRITE (CHIP)
FB308	1-543-644-11	s	BEAD, FERRITE (CHIP)
FB500	1-543-309-21	s	BEAD,FERRITE
FB501	1-543-309-21	s	BEAD,FERRITE
FB502	1-543-622-11	s	BEAD,FERRITE (CHIP)
FB503	1-543-622-11	s	BEAD,FERRITE (CHIP)
FB505	1-543-644-11	s	BEAD, FERRITE (CHIP)
FB506	1-543-644-11	s	BEAD, FERRITE (CHIP)
FB1000	1-543-309-21	s	BEAD,FERRITE
FB1001	1-543-309-21	s	BEAD,FERRITE
FB1002	1-543-309-21	s	BEAD,FERRITE
FB1003	1-543-309-21	s	BEAD,FERRITE
FB1005	1-543-309-21	s	BEAD,FERRITE
FB1006	1-543-644-11	s	BEAD, FERRITE (CHIP)
FB1007	1-543-644-11	s	BEAD, FERRITE (CHIP)
FB1008	1-543-644-11	s	BEAD, FERRITE (CHIP)
FB1009	1-543-644-11	s	BEAD, FERRITE (CHIP)
FB1010	1-543-644-11	s	BEAD, FERRITE (CHIP)
FL303	1-239-898-22	s	FILTER, EMI (SMD)
FL304	1-239-898-22	s	FILTER, EMI (SMD)
FL305	1-239-898-22	s	FILTER, EMI (SMD)
FL306	1-239-898-22	s	FILTER, EMI (SMD)
FL307	1-239-898-22	s	FILTER, EMI (SMD)
FL308	1-239-898-22	s	FILTER, EMI (SMD)
FL309	1-239-898-22	s	FILTER, EMI (SMD)
FL310	1-239-898-22	s	FILTER, EMI (SMD)
FL311	1-239-898-22	s	FILTER, EMI (SMD)
FL312	1-239-898-22	s	FILTER, EMI (SMD)
FL313	1-239-898-22	s	FILTER, EMI (SMD)
FL314	1-239-898-22	s	FILTER, EMI (SMD)
FL315	1-239-898-22	s	FILTER, EMI (SMD)
FL316	1-239-898-22	s	FILTER, EMI (SMD)
FL317	1-239-898-22	s	FILTER, EMI (SMD)
FL318	1-239-898-22	s	FILTER, EMI (SMD)
FL500	1-239-898-22	s	FILTER, EMI (SMD)
FL501	1-239-898-22	s	FILTER, EMI (SMD)
FL502	1-239-898-22	s	FILTER, EMI (SMD)
FL503	1-239-898-22	s	FILTER, EMI (SMD)
FL504	1-239-898-22	s	FILTER, EMI (SMD)
FL505	1-239-898-22	s	FILTER, EMI (SMD)
FL506	1-239-898-22	s	FILTER, EMI (SMD)
FL507	1-239-898-22	s	FILTER, EMI (SMD)
FL508	1-239-898-22	s	FILTER, EMI (SMD)
FL509	1-239-898-22	s	FILTER, EMI (SMD)
FL510	1-239-898-22	s	FILTER, EMI (SMD)
FL511	1-239-898-22	s	FILTER, EMI (SMD)
FL512	1-239-898-22	s	FILTER, EMI (SMD)
FL513	1-239-898-22	s	FILTER, EMI (SMD)

(VPR-1B BOARD suffix 18 or higher)

Ref. No. or Q'ty	Part No.	SP	Description
FL514	1-239-898-22	s	FILTER, EMI (SMD)
FL515	1-239-898-22	s	FILTER, EMI (SMD)
FL516	1-239-898-22	s	FILTER, EMI (SMD)
FL517	1-239-898-22	s	FILTER, EMI (SMD)
FL600	1-239-721-11	s	FILTER, LOW PASS (6MHZ)
FL601	1-239-721-11	s	FILTER, LOW PASS (6MHZ)
FL602	1-239-721-11	s	FILTER, LOW PASS (6MHZ)
FL603	1-239-721-11	s	FILTER, LOW PASS (6MHZ)
FL604	1-239-721-11	s	FILTER, LOW PASS (6MHZ)
FL1000	1-239-898-22	s	FILTER, EMI (SMD)
FL1001	1-239-898-22	s	FILTER, EMI (SMD)
FL1002	1-239-898-22	s	FILTER, EMI (SMD)
FL1003	1-239-898-22	s	FILTER, EMI (SMD)
FL1004	1-239-898-22	s	FILTER, EMI (SMD)
FL1005	1-239-898-22	s	FILTER, EMI (SMD)
FL1006	1-239-898-22	s	FILTER, EMI (SMD)
FL1007	1-239-898-22	s	FILTER, EMI (SMD)
FL1008	1-239-898-22	s	FILTER, EMI (SMD)
FL1009	1-239-898-22	s	FILTER, EMI (SMD)
FL1010	1-239-898-22	s	FILTER, EMI (SMD)
FL1011	1-239-898-22	s	FILTER, EMI (SMD)
FL1012	1-239-898-22	s	FILTER, EMI (SMD)
FL1013	1-239-898-22	s	FILTER, EMI (SMD)
FL1014	1-239-898-22	s	FILTER, EMI (SMD)
FL1015	1-239-898-22	s	FILTER, EMI (SMD)
FL1016	1-239-898-22	s	FILTER, EMI (SMD)
FL1017	1-239-898-22	s	FILTER, EMI (SMD)
FL1018	1-239-898-22	s	FILTER, EMI (SMD)
FL1019	1-239-898-22	s	FILTER, EMI (SMD)
FL1020	1-239-898-22	s	FILTER, EMI (SMD)
FL1021	1-239-898-22	s	FILTER, EMI (SMD)
FL1022	1-239-898-22	s	FILTER, EMI (SMD)
FL1023	1-239-898-22	s	FILTER, EMI (SMD)
FL1024	1-239-898-22	s	FILTER, EMI (SMD)
FL1025	1-239-898-22	s	FILTER, EMI (SMD)
FL1026	1-239-898-22	s	FILTER, EMI (SMD)
FL1027	1-239-898-22	s	FILTER, EMI (SMD)
FL1028	1-239-898-22	s	FILTER, EMI (SMD)
FL1029	1-239-898-22	s	FILTER, EMI (SMD)
FL1030	1-239-898-22	s	FILTER, EMI (SMD)
FL1031	1-239-898-22	s	FILTER, EMI (SMD)
FL1032	1-239-898-22	s	FILTER, EMI (SMD)
FL1033	1-239-898-22	s	FILTER, EMI (SMD)
IC50	8-759-524-18	s	IC TC74VHC163FT(EL)
IC51	8-759-524-18	s	IC TC74VHC163FT(EL)
IC52	8-759-447-77	s	IC TC7WH74FU (TR12R)
IC53	8-759-524-18	s	IC TC74VHC163FT(EL)
IC54	8-759-524-18	s	IC TC74VHC163FT(EL)
IC55	8-759-523-95	s	IC TC74VHC74FT(EL)
IC56	8-759-196-96	s	IC TC7SH08FU (TE85R)
IC57	8-759-523-78	s	IC TC74VHC00FT(EL)
IC58	8-759-523-95	s	IC TC74VHC74FT(EL)
IC59	8-759-524-18	s	IC TC74VHC163FT(EL)
IC60	8-759-524-18	s	IC TC74VHC163FT(EL)
IC61	8-759-196-12	s	IC SN74LS221DB
IC62	8-759-447-77	s	IC TC7WH74FU (TR12R)
IC63	8-759-589-47	s	IC LP2986A1MM-3.3
IC64	8-759-589-47	s	IC LP2986A1MM-3.3

(VPR-1B BOARD suffix 18 or higher)

Ref. No. or Q'ty	Part No.	SP	Description
IC307	8-759-175-79	s	IC CXD8818R
IC314	8-759-475-22	s	IC TC74LCX245F(EL)
IC315	8-759-475-22	s	IC TC74LCX245F(EL)
IC316	8-759-196-93	s	IC TC7SH00FU-TE85R
IC500	8-759-548-77	s	IC SN74LV245ANSR
IC501	8-759-548-77	s	IC SN74LV245ANSR
IC502	8-759-548-77	s	IC SN74LV245ANSR
IC503	8-759-548-77	s	IC SN74LV245ANSR
IC504	8-759-247-03	s	IC CXD8810BQ
IC505	8-759-654-93	s	IC CXD9100AR
IC506	8-752-306-51	s	IC CX23065A
IC507	8-759-836-57	s	IC TL082CDR
IC508	8-759-543-66	s	IC SN74LVTH245ANS
IC509	8-759-475-22	s	IC TC74LCX245F(EL)
IC510	8-759-475-22	s	IC TC74LCX245F(EL)
IC511	8-759-475-22	s	IC TC74LCX245F(EL)
IC512	6-704-158-01	s	IC S-80827CNUA-B8MT2G
IC600	8-759-052-52	s	IC L78M05T-FA
IC601	8-759-680-44	s	IC TLC2272CDR
IC602	6-700-668-01	s	IC TLC2274CDR
IC603	8-752-357-63	s	IC CXD2308Q
IC604	8-759-822-95	s	IC L79M05T-FA
IC605	8-759-907-81	s	IC SN74LS221N(S)
IC606	8-759-836-57	s	IC TL082CDR
IC607	8-759-836-57	s	IC TL082CDR
IC608	8-759-082-61	s	IC TC4W53FU
IC609	8-759-052-52	s	IC L78M05T-FA
IC610	8-752-357-63	s	IC CXD2308Q
IC611	8-759-822-95	s	IC L79M05T-FA
IC612	8-759-836-57	s	IC TL082CDR
IC613	8-759-082-61	s	IC TC4W53FU
IC614	8-752-061-02	s	IC CXA1450M
IC615	8-759-082-58	s	IC TC7W08FU
IC619	8-759-485-87	s	IC TL431CDR2
IC621	8-759-485-87	s	IC TL431CDR2
IC623	8-759-836-57	s	IC TL082CDR
IC624	8-759-836-57	s	IC TL082CDR
IC625	8-759-098-16	s	IC LT1227CS8
IC626	8-759-271-04	s	IC LT1252CS8
IC627	8-759-098-16	s	IC LT1227CS8
IC628	8-759-271-04	s	IC LT1252CS8
IC629	8-759-098-16	s	IC LT1227CS8
IC630	8-759-271-04	s	IC LT1252CS8
IC631	8-759-098-16	s	IC LT1227CS8
IC632	8-759-271-04	s	IC LT1252CS8
IC633	8-759-098-16	s	IC LT1227CS8
IC634	8-759-271-04	s	IC LT1252CS8
IC635	8-759-082-61	s	IC TC4W53FU
IC636	8-759-082-61	s	IC TC4W53FU
IC637	8-759-082-61	s	IC TC4W53FU
IC750	8-759-081-48	s	IC TC74VHC08F
IC751	8-759-052-52	s	IC L78M05T-FA
IC752	6-704-161-01	s	IC S-80840CNUA-B8ZT2G
IC753	8-759-582-53	s	IC UPD78014FGC-632-AB8
IC754	8-759-430-21	s	IC MSM6524GS-KR1
IC756	8-759-082-57	s	IC TC7W04FU
IC757	8-759-674-09	s	IC MM74HCT04SJX
IC758	8-759-277-19	s	IC UPD485505G-35
IC759	8-759-277-19	s	IC UPD485505G-35



(VPR-1B BOARD suffix 18 or higher)

Ref. No. or Q'ty	Part No.	SP	Description
IC760	8-759-277-19	s	IC UPD485505G-35
IC761	8-759-548-77	s	IC SN74LV245ANSR
IC762	8-759-674-09	s	IC MM74HCT04SJX
IC1000	8-759-052-52	s	IC L78M05T-FA
IC1001	8-759-446-74	s	IC TA79L05F(TE12L)
IC1002	8-759-239-58	s	IC TC74HC221AF
IC1003	8-759-195-02	s	IC TC7S86F-TE85L
IC1004	8-759-234-08	s	IC TA78L05F
IC1006	6-700-135-01	s	IC TL084CDR
IC1007	8-759-300-71	s	IC HD14053BFP
IC1008	8-759-673-78	s	IC MM74HC151SJX
IC1009	8-759-907-81	s	IC SN74LS221N(S)
IC1010	8-759-987-27	s	IC LM1881M
IC1011	8-759-262-03	s	IC MC14577CF
IC1012	8-759-262-03	s	IC MC14577CF
IC1013	8-759-702-08	s	IC NJM360M
IC1014	8-759-446-74	s	IC TA79L05F(TE12L)
IC1015	8-759-836-57	s	IC TL082CDR
IC1016	8-759-925-05	s	IC LM2903PS
IC1017	8-759-702-08	s	IC NJM360M
IC1018	8-759-234-77	s	IC TC4S66F
IC1019	8-759-599-92	s	IC CXD8817AQ
IC1020	6-700-135-01	s	IC TL084CDR
IC1021	8-759-907-81	s	IC SN74LS221N(S)
IC1022	8-759-907-81	s	IC SN74LS221N(S)
IC1023	8-759-082-57	s	IC TC7W04FU
IC1024	8-759-907-81	s	IC SN74LS221N(S)
IC1025	8-752-334-64	s	IC CXD1171M
IC1026	8-759-548-77	s	IC SN74LV245ANSR
IC1027	8-752-306-51	s	IC CX23065A
IC1028	8-759-925-05	s	IC LM2903PS
IC1029	8-759-836-57	s	IC TL082CDR
IC1030	8-759-702-08	s	IC NJM360M
IC1031	8-752-334-64	s	IC CXD1171M
IC1032	8-759-599-91	s	IC CXD8821AQ
IC1033	8-759-702-08	s	IC NJM360M
IC1034	8-759-082-61	s	IC TC4W53FU
IC1035	8-759-491-36	s	IC TC74VHC244AF(EL)
IC1036	8-759-543-66	s	IC SN74LVTH245ANS
IC1037	8-759-548-77	s	IC SN74LV245ANSR
IC1038	8-759-475-22	s	IC TC74LCX245F(EL)
IC1039	8-759-475-22	s	IC TC74LCX245F(EL)
IC1040	8-759-475-22	s	IC TC74LCX245F(EL)
IC1041	8-759-475-22	s	IC TC74LCX245F(EL)
IC1042	8-759-081-42	s	IC TC74VHC00F
IC1043	8-759-186-53	s	IC TC74VHC163F
IC1044	8-759-836-57	s	IC TL082CDR
IC1045	6-700-135-01	s	IC TL084CDR
IC1046	8-759-082-57	s	IC TC7W04FU
IC1047	8-759-176-41	s	IC TC74VHC74F(EL)
IC1048	8-759-082-57	s	IC TC7W04FU
IC1049	8-759-234-20	s	IC TC7S08F
IC1050	8-759-673-78	s	IC MM74HC151SJX
IC1051	8-759-184-64	s	IC TC4W66FU
IC1052	8-759-082-61	s	IC TC4W53FU
IC1053	8-759-035-93	s	IC SC7S32F
IC1054	8-759-234-77	s	IC TC4S66F
IC1057	8-759-186-51	s	IC TC74VHC157F
IC1058	8-759-186-51	s	IC TC74VHC157F

(VPR-1B BOARD suffix 18 or higher)

Ref. No. or Q'ty	Part No.	SP	Description
IC1192	8-759-239-58	s	IC TC74HC221AF
IC1193	8-759-239-55	s	IC TC74HC123AF
IC1194	8-759-035-93	s	IC SC7S32F
IC1196	8-759-082-59	s	IC TC7W32FU
IC1197	8-759-082-58	s	IC TC7W08FU
IC1198	8-759-035-87	s	IC SC7S00F
L50	1-410-803-11	s	CHIP INDUCTOR 0.047UH (3225)
L309	1-410-803-31	s	CHIP INDUCTOR 0.047UH
L310	1-410-803-31	s	CHIP INDUCTOR 0.047UH
L500	1-410-803-31	s	CHIP INDUCTOR 0.047UH
L501	1-410-803-31	s	CHIP INDUCTOR 0.047UH
L502	1-410-803-31	s	CHIP INDUCTOR 0.047UH
L503	1-410-803-31	s	CHIP INDUCTOR 0.047UH
L504	1-410-393-11	s	CHIP INDUCTOR 100UH (3225)
L505	1-410-803-31	s	CHIP INDUCTOR 0.047UH
L506	1-410-803-31	s	CHIP INDUCTOR 0.047UH
L507	1-410-803-31	s	CHIP INDUCTOR 0.047UH
L508	1-410-393-11	s	CHIP INDUCTOR 100UH (3225)
L509	1-410-393-11	s	CHIP INDUCTOR 100UH (3225)
L600	1-412-164-11	s	MICRO INDUCTOR 0.12UH
L601	1-412-193-11	s	MICRO INDUCTOR 68UH
L603	1-412-191-11	s	MICRO INDUCTOR 47UH
L605	1-412-191-11	s	MICRO INDUCTOR 47UH
L606	1-412-164-11	s	MICRO INDUCTOR 0.12UH
L607	1-412-193-11	s	MICRO INDUCTOR 68UH
L608	1-412-164-11	s	MICRO INDUCTOR 0.12UH
L609	1-412-193-11	s	MICRO INDUCTOR 68UH
L610	1-412-137-11	s	INDUCTOR,MICRO 10UH
L611	1-412-137-11	s	INDUCTOR,MICRO 10UH
L616	1-410-387-11	s	CHIP INDUCTOR 33UH (3225)
L750	1-412-526-11	s	INDUCTOR,MICRO 12UH
L752	1-412-526-11	s	INDUCTOR,MICRO 12UH
L754	1-412-526-11	s	INDUCTOR,MICRO 12UH
L755	1-412-526-11	s	INDUCTOR,MICRO 12UH
L757	1-412-526-11	s	INDUCTOR,MICRO 12UH
L1000	1-412-138-11	s	INDUCTOR,MICRO 100UH
L1003	1-410-393-11	s	CHIP INDUCTOR 100UH (3225)
L1004	1-410-393-11	s	CHIP INDUCTOR 100UH (3225)
L1005	1-410-393-11	s	CHIP INDUCTOR 100UH (3225)
L1007	1-412-143-11	s	INDUCTOR,MICRO 39UH
L1008	1-412-188-11	s	MICRO INDUCTOR 22UH
L1010	1-410-393-11	s	CHIP INDUCTOR 100UH (3225)
L1011	1-410-393-11	s	CHIP INDUCTOR 100UH (3225)
L1012	1-412-137-11	s	INDUCTOR,MICRO 10UH
L1013	1-412-137-11	s	INDUCTOR,MICRO 10UH
L1014	1-410-393-11	s	CHIP INDUCTOR 100UH (3225)
L1016	1-412-191-11	s	MICRO INDUCTOR 47UH
L1017	1-412-191-11	s	MICRO INDUCTOR 47UH
L1018	1-412-191-11	s	MICRO INDUCTOR 47UH
L1019	1-412-191-11	s	MICRO INDUCTOR 47UH
L1020	1-410-803-31	s	CHIP INDUCTOR 0.047UH
L1021	1-410-803-31	s	CHIP INDUCTOR 0.047UH
L1022	1-410-803-31	s	CHIP INDUCTOR 0.047UH
L1023	1-410-803-31	s	CHIP INDUCTOR 0.047UH
L1024	1-410-803-31	s	CHIP INDUCTOR 0.047UH
PS100	Δ 1-533-272-11	s	FUSE, CHIP 4A (6125)
Q600	8-729-140-63	s	TRANSISTOR 2SA1611-M5M6

(VPR-1B BOARD suffix 18 or higher)

Ref. No. or Q'ty	Part No.	SP	Description
Q601	8-729-117-32	s	TRANSISTOR 2SC4177
Q602	8-729-140-63	s	TRANSISTOR 2SA1611-M5M6
Q603	8-729-117-32	s	TRANSISTOR 2SC4177
Q604	8-729-140-63	s	TRANSISTOR 2SA1611-M5M6
Q605	8-729-117-32	s	TRANSISTOR 2SC4177
Q606	8-729-140-63	s	TRANSISTOR 2SA1611-M5M6
Q607	8-729-117-32	s	TRANSISTOR 2SC4177
Q608	8-729-140-63	s	TRANSISTOR 2SA1611-M5M6
Q609	8-729-117-32	s	TRANSISTOR 2SC4177
Q620	8-729-117-32	s	TRANSISTOR 2SC4177
Q750	8-729-140-63	s	TRANSISTOR 2SA1611-M5M6
Q1000	8-729-140-63	s	TRANSISTOR 2SA1611-M5M6
Q1001	8-729-140-63	s	TRANSISTOR 2SA1611-M5M6
Q1002	8-729-143-07	s	TRANSISTOR 2SA1610-Y33
Q1003	8-729-143-07	s	TRANSISTOR 2SA1610-Y33
Q1004	8-729-140-63	s	TRANSISTOR 2SA1611-M5M6
Q1005	8-729-140-63	s	TRANSISTOR 2SA1611-M5M6
Q1006	8-729-140-63	s	TRANSISTOR 2SA1611-M5M6
Q1008	8-729-117-32	s	TRANSISTOR 2SC4177
Q1009	8-729-140-63	s	TRANSISTOR 2SA1611-M5M6
Q1010	8-729-117-32	s	TRANSISTOR 2SC4177
Q1011	8-729-117-32	s	TRANSISTOR 2SC4177
Q1012	8-729-117-32	s	TRANSISTOR 2SC4177
R50	1-216-025-91	s	RESISTOR,CHIP 100 1/10W(2125)
R51	1-216-295-91	s	RESISTOR, CHIP 0 (1/10W)
R53	1-216-661-11	s	RESISTOR,CHIP 2.7K 1/10W(2012)
R54	1-216-661-11	s	RESISTOR,CHIP 2.7K 1/10W(2012)
R55	1-216-661-11	s	RESISTOR,CHIP 2.7K 1/10W(2012)
R57	1-216-295-91	s	RESISTOR, CHIP 0 (1/10W)
R59	1-216-295-91	s	RESISTOR, CHIP 0 (1/10W)
R60	1-216-295-91	s	RESISTOR, CHIP 0 (1/10W)
R61	1-216-295-91	s	RESISTOR, CHIP 0 (1/10W)
R64	1-216-295-91	s	RESISTOR, CHIP 0 (1/10W)
R65	1-216-295-91	s	RESISTOR, CHIP 0 (1/10W)
R66	1-216-295-91	s	RESISTOR, CHIP 0 (1/10W)
R72	1-216-295-91	s	RESISTOR, CHIP 0 (1/10W)
R73	1-216-295-91	s	RESISTOR, CHIP 0 (1/10W)
R74	1-216-295-91	s	RESISTOR, CHIP 0 (1/10W)
R78	1-216-658-11	s	RESISTOR,CHIP 2.0K 1/10W(2012)
R79	1-216-679-11	s	RESISTOR CHIP 15K 1/10W (2012)
R82	1-216-109-00	s	RESISTOR CHIP 330K 1/10W(2012)
R83	1-216-686-11	s	RESISTOR, METAL FILM 30K 1/10W
R84	1-216-658-11	s	RESISTOR,CHIP 2.0K 1/10W(2012)
R85	1-216-692-11	s	RESISTOR CHIP 51K 1/10W (2012)
R86	1-216-109-00	s	RESISTOR CHIP 330K 1/10W(2012)
R87	1-216-692-11	s	RESISTOR CHIP 51K 1/10W (2012)
R88	1-216-657-11	s	RESISTOR,CHIP 1.8K 1/10W(2012)
R89	1-216-692-11	s	RESISTOR CHIP 51K 1/10W (2012)
R91	1-216-295-91	s	RESISTOR, CHIP 0 (1/10W)
R354	1-216-295-91	s	RESISTOR, CHIP 0 (1/10W)
R406	1-216-295-91	s	RESISTOR, CHIP 0 (1/10W)
R407	1-216-049-91	s	RESISTOR,CHIP 1K 1/10W(2125)
R408	1-216-655-11	s	RESISTOR,CHIP 1.5K 1/10W(2012)
R409	1-216-049-91	s	RESISTOR,CHIP 1K 1/10W(2125)
R493	1-216-025-91	s	RESISTOR,CHIP 100 1/10W(2125)
R500	1-216-295-91	s	RESISTOR, CHIP 0 (1/10W)
R501	1-216-295-91	s	RESISTOR, CHIP 0 (1/10W)
R502	1-216-295-91	s	RESISTOR, CHIP 0 (1/10W)

(VPR-1B BOARD suffix 18 or higher)

Ref. No. or Q'ty	Part No.	SP	Description
R503	1-216-017-91	s	RESISTOR, CHIP 47 1/10W(2012)
R504	1-216-295-91	s	RESISTOR, CHIP 0 (1/10W)
R505	1-216-295-91	s	RESISTOR, CHIP 0 (1/10W)
R517	1-216-295-91	s	RESISTOR, CHIP 0 (1/10W)
R521	1-216-295-91	s	RESISTOR, CHIP 0 (1/10W)
R524	1-216-295-91	s	RESISTOR, CHIP 0 (1/10W)
R527	1-216-689-11	s	RESISTOR,CHIP 39K 1/10W(2012)
R528	1-216-653-11	s	RESISTOR CHIP 1.2K 1/10W(2012)
R529	1-216-653-11	s	RESISTOR CHIP 1.2K 1/10W(2012)
R530	1-216-667-11	s	RESISTOR,CHIP 4.7K 1/10W(2012)
R531	1-216-631-11	s	RESISTOR,CHIP 150 1/10W (2012)
R532	1-216-654-11	s	RESISTOR CHIP 1.3K1/10W (2012)
R533	1-216-658-11	s	RESISTOR,CHIP 2.0K 1/10W(2012)
R534	1-216-649-11	s	RESISTOR,CHIP 820 1/10W (2012)
R535	1-216-653-11	s	RESISTOR CHIP 1.2K 1/10W(2012)
R536	1-216-657-11	s	RESISTOR,CHIP 1.8K 1/10W(2012)
R537	1-216-689-11	s	RESISTOR,CHIP 39K 1/10W(2012)
R538	1-216-667-11	s	RESISTOR,CHIP 4.7K 1/10W(2012)
R539	1-216-631-11	s	RESISTOR,CHIP 150 1/10W (2012)
R540	1-216-654-11	s	RESISTOR CHIP 1.3K1/10W (2012)
R541	1-216-649-11	s	RESISTOR,CHIP 820 1/10W (2012)
R542	1-216-653-11	s	RESISTOR CHIP 1.2K 1/10W(2012)
R543	1-216-295-91	s	RESISTOR, CHIP 0 (1/10W)
R545	1-216-017-91	s	RESISTOR, CHIP 47 1/10W(2012)
R546	1-216-017-91	s	RESISTOR, CHIP 47 1/10W(2012)
R548	1-216-017-91	s	RESISTOR, CHIP 47 1/10W(2012)
R549	1-216-017-91	s	RESISTOR, CHIP 47 1/10W(2012)
R550	1-216-295-91	s	RESISTOR, CHIP 0 (1/10W)
R553	1-216-295-91	s	RESISTOR, CHIP 0 (1/10W)
R554	1-216-017-91	s	RESISTOR, CHIP 47 1/10W(2012)
R557	1-216-017-91	s	RESISTOR, CHIP 47 1/10W(2012)
R558	1-216-017-91	s	RESISTOR, CHIP 47 1/10W(2012)
R559	1-216-017-91	s	RESISTOR, CHIP 47 1/10W(2012)
R560	1-216-017-91	s	RESISTOR, CHIP 47 1/10W(2012)
R561	1-216-667-11	s	RESISTOR,CHIP 4.7K 1/10W(2012)
R562	1-216-073-00	s	RESISTOR,CHIP 10K 1/10W(2012)
R563	1-216-073-00	s	RESISTOR,CHIP 10K 1/10W(2012)
R564	1-216-675-11	s	RESISTOR CHIP 10K 1/10W(2012)
R565	1-216-121-91	s	RESISTOR CHIP 1M 1/10W(2125)
R566	1-216-025-91	s	RESISTOR,CHIP 100 1/10W(2125)
R567	1-216-295-91	s	RESISTOR, CHIP 0 (1/10W)
R568	1-216-049-91	s	RESISTOR,CHIP 1K 1/10W(2125)
R569	1-216-049-91	s	RESISTOR,CHIP 1K 1/10W(2125)
R570	1-216-025-91	s	RESISTOR,CHIP 100 1/10W(2125)
R571	1-216-025-91	s	RESISTOR,CHIP 100 1/10W(2125)
R572	1-216-667-11	s	RESISTOR,CHIP 4.7K 1/10W(2012)
R573	1-216-631-11	s	RESISTOR,CHIP 150 1/10W (2012)
R574	1-216-654-11	s	RESISTOR CHIP 1.3K1/10W (2012)
R575	1-216-658-11	s	RESISTOR,CHIP 2.0K 1/10W(2012)
R576	1-216-649-11	s	RESISTOR,CHIP 820 1/10W (2012)
R577	1-216-653-11	s	RESISTOR CHIP 1.2K 1/10W(2012)
R578	1-216-689-11	s	RESISTOR,CHIP 39K 1/10W(2012)
R579	1-216-667-11	s	RESISTOR,CHIP 4.7K 1/10W(2012)
R580	1-216-631-11	s	RESISTOR,CHIP 150 1/10W (2012)
R581	1-216-654-11	s	RESISTOR CHIP 1.3K1/10W (2012)
R582	1-216-658-11	s	RESISTOR,CHIP 2.0K 1/10W(2012)
R583	1-216-649-11	s	RESISTOR,CHIP 820 1/10W (2012)
R584	1-216-073-00	s	RESISTOR,CHIP 10K 1/10W(2012)
R585	1-216-653-11	s	RESISTOR CHIP 1.2K 1/10W(2012)

(VPR-1B BOARD suffix 18 or higher)

Ref. No. or Q'ty	Part No.	SP	Description
R586	1-216-686-11	s	RESISTOR, METAL FILM 30K 1/10W
R587	1-216-667-11	s	RESISTOR,CHIP 4.7K 1/10W(2012)
R588	1-216-631-11	s	RESISTOR,CHIP 150 1/10W (2012)
R589	1-216-654-11	s	RESISTOR CHIP 1.3K1/10W (2012)
R590	1-216-649-11	s	RESISTOR,CHIP 820 1/10W (2012)
R591	1-216-653-11	s	RESISTOR CHIP 1.2K 1/10W(2012)
R592	1-216-658-11	s	RESISTOR,CHIP 2.0K 1/10W(2012)
R593	1-216-073-00	s	RESISTOR,CHIP 10K 1/10W(2012)
R597	1-216-657-11	s	RESISTOR,CHIP 1.8K 1/10W(2012)
R598	1-216-658-11	s	RESISTOR,CHIP 2.0K 1/10W(2012)
R600	1-216-653-11	s	RESISTOR CHIP 1.2K 1/10W(2012)
R601	1-216-653-11	s	RESISTOR CHIP 1.2K 1/10W(2012)
R602	1-216-653-11	s	RESISTOR CHIP 1.2K 1/10W(2012)
R603	1-216-653-11	s	RESISTOR CHIP 1.2K 1/10W(2012)
R604	1-216-653-11	s	RESISTOR CHIP 1.2K 1/10W(2012)
R605	1-216-653-11	s	RESISTOR CHIP 1.2K 1/10W(2012)
R606	1-216-675-11	s	RESISTOR CHIP 10K 1/10W(2012)
R609	1-216-675-11	s	RESISTOR CHIP 10K 1/10W(2012)
R610	1-216-651-11	s	RESISTOR,CHIP 1K 1/10W(2012)
R612	1-216-675-11	s	RESISTOR CHIP 10K 1/10W(2012)
R615	1-216-657-11	s	RESISTOR,CHIP 1.8K 1/10W(2012)
R616	1-216-653-11	s	RESISTOR CHIP 1.2K 1/10W(2012)
R617	1-216-657-11	s	RESISTOR,CHIP 1.8K 1/10W(2012)
R618	1-216-651-11	s	RESISTOR,CHIP 1K 1/10W(2012)
R619	1-216-617-11	s	RESISTOR,CHIP 39 1/10W(2012)
R620	1-216-631-11	s	RESISTOR,CHIP 150 1/10W (2012)
R621	1-216-631-11	s	RESISTOR,CHIP 150 1/10W (2012)
R622	1-216-631-11	s	RESISTOR,CHIP 150 1/10W (2012)
R623	1-216-603-11	s	RESISTOR,CHIP 10 1/10W(2012)
R624	1-216-613-11	s	RESISTOR,CHIP 27 1/10W(2012)
R625	1-216-661-11	s	RESISTOR,CHIP 2.7K 1/10W(2012)
R626	1-216-049-91	s	RESISTOR,CHIP 1K 1/10W(2125)
R627	1-216-666-11	s	RESISTOR,CHIP 4.3K 1/10W(2012)
R628	1-216-670-11	s	RESISTOR,CHIP 6.2K 1/10W(2012)
R629	1-216-685-11	s	RESISTOR,CHIP 27K 1/10W(2012)
R630	1-216-625-11	s	RESISTOR,METAL CHIP 82 1/10W
R631	1-216-295-91	s	RESISTOR, CHIP 0 (1/10W)
R632	1-216-651-11	s	RESISTOR,CHIP 1K 1/10W(2012)
R633	1-216-617-11	s	RESISTOR,CHIP 39 1/10W(2012)
R634	1-216-631-11	s	RESISTOR,CHIP 150 1/10W (2012)
R635	1-216-631-11	s	RESISTOR,CHIP 150 1/10W (2012)
R636	1-216-631-11	s	RESISTOR,CHIP 150 1/10W (2012)
R637	1-216-603-11	s	RESISTOR,CHIP 10 1/10W(2012)
R638	1-216-049-91	s	RESISTOR,CHIP 1K 1/10W(2125)
R639	1-216-658-11	s	RESISTOR,CHIP 2.0K 1/10W(2012)
R640	1-216-670-11	s	RESISTOR,CHIP 6.2K 1/10W(2012)
R641	1-216-666-11	s	RESISTOR,CHIP 4.3K 1/10W(2012)
R642	1-216-679-11	s	RESISTOR CHIP 15K 1/10W (2012)
R643	1-216-133-00	s	RESISTOR,CHIP 3.3M 1/10W(2012)
R644	1-216-133-00	s	RESISTOR,CHIP 3.3M 1/10W(2012)
R645	1-216-133-00	s	RESISTOR,CHIP 3.3M 1/10W(2012)
R646	1-216-049-91	s	RESISTOR,CHIP 1K 1/10W(2125)
R647	1-216-069-00	s	RESISTOR,CHIP 6.8K 1/10W(2012)
R648	1-216-069-00	s	RESISTOR,CHIP 6.8K 1/10W(2012)
R649	1-216-069-00	s	RESISTOR,CHIP 6.8K 1/10W(2012)
R650	1-216-049-91	s	RESISTOR,CHIP 1K 1/10W(2125)
R651	1-216-049-91	s	RESISTOR,CHIP 1K 1/10W(2125)
R652	1-216-049-91	s	RESISTOR,CHIP 1K 1/10W(2125)
R653	1-216-049-91	s	RESISTOR,CHIP 1K 1/10W(2125)

(VPR-1B BOARD suffix 18 or higher)

Ref. No. or Q'ty	Part No.	SP	Description
R654	1-216-049-91	s	RESISTOR,CHIP 1K 1/10W(2125)
R655	1-216-625-11	s	RESISTOR,METAL CHIP 82 1/10W
R656	1-216-295-91	s	RESISTOR, CHIP 0 (1/10W)
R658	1-216-651-11	s	RESISTOR,CHIP 1K 1/10W(2012)
R659	1-216-617-11	s	RESISTOR,CHIP 39 1/10W(2012)
R660	1-216-631-11	s	RESISTOR,CHIP 150 1/10W (2012)
R661	1-216-017-91	s	RESISTOR, CHIP 47 1/10W(2012)
R662	1-216-017-91	s	RESISTOR, CHIP 47 1/10W(2012)
R663	1-216-017-91	s	RESISTOR, CHIP 47 1/10W(2012)
R664	1-216-619-11	s	RESISTOR CHIP 47 1/10W(2012)
R665	1-216-619-11	s	RESISTOR CHIP 47 1/10W(2012)
R666	1-216-619-11	s	RESISTOR CHIP 47 1/10W(2012)
R667	1-216-653-11	s	RESISTOR CHIP 1.2K 1/10W(2012)
R668	1-216-653-11	s	RESISTOR CHIP 1.2K 1/10W(2012)
R669	1-216-651-11	s	RESISTOR,CHIP 1K 1/10W(2012)
R671	1-216-689-11	s	RESISTOR,CHIP 39K 1/10W(2012)
R673	1-216-675-11	s	RESISTOR CHIP 10K 1/10W(2012)
R674	1-216-675-11	s	RESISTOR CHIP 10K 1/10W(2012)
R677	1-216-665-11	s	RESISTOR,CHIP 3.9K 1/10W(2012)
R678	1-216-653-11	s	RESISTOR CHIP 1.2K 1/10W(2012)
R679	1-216-653-11	s	RESISTOR CHIP 1.2K 1/10W(2012)
R680	1-216-653-11	s	RESISTOR CHIP 1.2K 1/10W(2012)
R681	1-216-653-11	s	RESISTOR CHIP 1.2K 1/10W(2012)
R682	1-216-631-11	s	RESISTOR,CHIP 150 1/10W (2012)
R683	1-216-631-11	s	RESISTOR,CHIP 150 1/10W (2012)
R684	1-216-603-11	s	RESISTOR,CHIP 10 1/10W(2012)
R685	1-216-049-91	s	RESISTOR,CHIP 1K 1/10W(2125)
R686	1-216-658-11	s	RESISTOR,CHIP 2.0K 1/10W(2012)
R687	1-216-670-11	s	RESISTOR,CHIP 6.2K 1/10W(2012)
R688	1-216-666-11	s	RESISTOR,CHIP 4.3K 1/10W(2012)
R689	1-216-625-11	s	RESISTOR,METAL CHIP 82 1/10W
R690	1-216-295-91	s	RESISTOR, CHIP 0 (1/10W)
R692	1-216-651-11	s	RESISTOR,CHIP 1K 1/10W(2012)
R693	1-216-617-11	s	RESISTOR,CHIP 39 1/10W(2012)
R694	1-216-631-11	s	RESISTOR,CHIP 150 1/10W (2012)
R695	1-216-631-11	s	RESISTOR,CHIP 150 1/10W (2012)
R696	1-216-631-11	s	RESISTOR,CHIP 150 1/10W (2012)
R697	1-216-603-11	s	RESISTOR,CHIP 10 1/10W(2012)
R698	1-216-613-11	s	RESISTOR,CHIP 27 1/10W(2012)
R699	1-216-661-11	s	RESISTOR,CHIP 2.7K 1/10W(2012)
R700	1-216-049-91	s	RESISTOR,CHIP 1K 1/10W(2125)
R701	1-216-670-11	s	RESISTOR,CHIP 6.2K 1/10W(2012)
R702	1-216-666-11	s	RESISTOR,CHIP 4.3K 1/10W(2012)
R703	1-216-619-11	s	RESISTOR CHIP 47 1/10W(2012)
R704	1-216-635-11	s	RESISTOR CHIP 220 1/10W (2012)
R705	1-216-133-00	s	RESISTOR,CHIP 3.3M 1/10W(2012)
R706	1-216-133-00	s	RESISTOR,CHIP 3.3M 1/10W(2012)
R707	1-216-616-11	s	RESISTOR,CHIP 36 1/10W (2012)
R708	1-216-049-91	s	RESISTOR,CHIP 1K 1/10W(2125)
R709	1-216-069-00	s	RESISTOR,CHIP 6.8K 1/10W(2012)
R710	1-216-069-00	s	RESISTOR,CHIP 6.8K 1/10W(2012)
R711	1-216-049-91	s	RESISTOR,CHIP 1K 1/10W(2125)
R712	1-216-065-91	s	RESISTOR,CHIP 4.7K (2012)
R713	1-216-025-91	s	RESISTOR,CHIP 100 1/10W(2125)
R714	1-216-653-11	s	RESISTOR CHIP 1.2K 1/10W(2012)
R715	1-216-667-11	s	RESISTOR,CHIP 4.7K 1/10W(2012)
R716	1-216-049-91	s	RESISTOR,CHIP 1K 1/10W(2125)
R717	1-216-651-11	s	RESISTOR,CHIP 1K 1/10W(2012)
R718	1-216-049-91	s	RESISTOR,CHIP 1K 1/10W(2125)

(VPR-1B BOARD suffix 18 or higher)

Ref. No. or Q'ty	Part No.	SP	Description
R719	1-216-651-11	s	RESISTOR,CHIP 1K 1/10W(2012)
R720	1-216-617-11	s	RESISTOR,CHIP 39 1/10W(2012)
R721	1-216-663-11	s	RESISTOR,CHIP 3.3K 1/10W(2012)
R722	1-216-049-91	s	RESISTOR,CHIP 1K 1/10W(2125)
R723	1-216-017-91	s	RESISTOR, CHIP 47 1/10W(2012)
R724	1-216-619-11	s	RESISTOR CHIP 47 1/10W(2012)
R725	1-216-049-91	s	RESISTOR,CHIP 1K 1/10W(2125)
R726	1-216-049-91	s	RESISTOR,CHIP 1K 1/10W(2125)
R727	1-216-631-11	s	RESISTOR,CHIP 150 1/10W (2012)
R728	1-216-650-11	s	RESISTOR,CHIP 910 1/10W(2012)
R729	1-216-049-91	s	RESISTOR,CHIP 1K 1/10W(2125)
R730	1-216-049-91	s	RESISTOR,CHIP 1K 1/10W(2125)
R731	1-216-081-00	s	RESISTOR,CHIP 22K 1/10W(2012)
R732	1-216-017-91	s	RESISTOR, CHIP 47 1/10W(2012)
R733	1-216-619-11	s	RESISTOR CHIP 47 1/10W(2012)
R734	1-216-081-00	s	RESISTOR,CHIP 22K 1/10W(2012)
R735	1-216-025-91	s	RESISTOR,CHIP 100 1/10W(2125)
R736	1-216-025-91	s	RESISTOR,CHIP 100 1/10W(2125)
R737	1-216-025-91	s	RESISTOR,CHIP 100 1/10W(2125)
R738	1-216-025-91	s	RESISTOR,CHIP 100 1/10W(2125)
R739	1-216-025-91	s	RESISTOR,CHIP 100 1/10W(2125)
R740	1-216-025-91	s	RESISTOR,CHIP 100 1/10W(2125)
R742	1-216-049-91	s	RESISTOR,CHIP 1K 1/10W(2125)
R743	1-216-631-11	s	RESISTOR,CHIP 150 1/10W (2012)
R744	1-216-631-11	s	RESISTOR,CHIP 150 1/10W (2012)
R745	1-216-603-11	s	RESISTOR,CHIP 10 1/10W(2012)
R746	1-216-613-11	s	RESISTOR,CHIP 27 1/10W(2012)
R747	1-216-661-11	s	RESISTOR,CHIP 2.7K 1/10W(2012)
R748	1-216-666-11	s	RESISTOR,CHIP 4.3K 1/10W(2012)
R749	1-216-670-11	s	RESISTOR,CHIP 6.2K 1/10W(2012)
R750	1-216-065-91	s	RESISTOR,CHIP 4.7K (2012)
R751	1-216-073-00	s	RESISTOR,CHIP 10K 1/10W(2012)
R752	1-216-097-91	s	RESISTOR,CHIP 100K 1/10W(2012)
R753	1-216-073-00	s	RESISTOR,CHIP 10K 1/10W(2012)
R754	1-216-295-91	s	RESISTOR, CHIP 0 (1/10W)
R756	1-216-049-91	s	RESISTOR,CHIP 1K 1/10W(2125)
R757	1-216-073-00	s	RESISTOR,CHIP 10K 1/10W(2012)
R758	1-216-073-00	s	RESISTOR,CHIP 10K 1/10W(2012)
R759	1-216-073-00	s	RESISTOR,CHIP 10K 1/10W(2012)
R760	1-216-295-91	s	RESISTOR, CHIP 0 (1/10W)
R761	1-216-073-00	s	RESISTOR,CHIP 10K 1/10W(2012)
R762	1-216-073-00	s	RESISTOR,CHIP 10K 1/10W(2012)
R763	1-216-049-91	s	RESISTOR,CHIP 1K 1/10W(2125)
R764	1-216-295-91	s	RESISTOR, CHIP 0 (1/10W)
R765	1-216-049-91	s	RESISTOR,CHIP 1K 1/10W(2125)
R766	1-216-049-91	s	RESISTOR,CHIP 1K 1/10W(2125)
R767	1-216-619-11	s	RESISTOR CHIP 47 1/10W(2012)
R768	1-216-616-11	s	RESISTOR,CHIP 36 1/10W (2012)
R769	1-216-650-11	s	RESISTOR,CHIP 910 1/10W(2012)
R770	1-216-635-11	s	RESISTOR CHIP 220 1/10W (2012)
R771	1-216-049-91	s	RESISTOR,CHIP 1K 1/10W(2125)
R772	1-216-049-91	s	RESISTOR,CHIP 1K 1/10W(2125)
R773	1-216-049-91	s	RESISTOR,CHIP 1K 1/10W(2125)
R776	1-216-073-00	s	RESISTOR,CHIP 10K 1/10W(2012)
R777	1-216-049-91	s	RESISTOR,CHIP 1K 1/10W(2125)
R778	1-216-049-91	s	RESISTOR,CHIP 1K 1/10W(2125)
R779	1-216-073-00	s	RESISTOR,CHIP 10K 1/10W(2012)
R780	1-216-073-00	s	RESISTOR,CHIP 10K 1/10W(2012)
R781	1-216-073-00	s	RESISTOR,CHIP 10K 1/10W(2012)
R783	1-216-025-00	s	RESISTOR,CHIP 100 1/16W(2012)

(VPR-1B BOARD suffix 18 or higher)

Ref. No. or Q'ty	Part No.	SP	Description
R785	1-216-025-91	s	RESISTOR,CHIP 100 1/10W(2125)
R786	1-216-025-91	s	RESISTOR,CHIP 100 1/10W(2125)
R792	1-216-025-91	s	RESISTOR,CHIP 100 1/10W(2125)
R793	1-216-025-91	s	RESISTOR,CHIP 100 1/10W(2125)
R797	1-216-295-91	s	RESISTOR, CHIP 0 (1/10W)
R804	1-216-049-91	s	RESISTOR,CHIP 1K 1/10W(2125)
R805	1-216-675-11	s	RESISTOR CHIP 10K 1/10W(2012)
R806	1-216-675-11	s	RESISTOR CHIP 10K 1/10W(2012)
R807	1-216-639-11	s	RESISTOR,CHIP 330 1/10W (2012)
R808	1-216-653-11	s	RESISTOR CHIP 1.2K 1/10W(2012)
R809	1-216-295-91	s	RESISTOR, CHIP 0 (1/10W)
R810	1-216-295-91	s	RESISTOR, CHIP 0 (1/10W)
R812	1-216-295-91	s	RESISTOR, CHIP 0 (1/10W)
R813	1-216-295-91	s	RESISTOR, CHIP 0 (1/10W)
R890	1-216-089-91	s	RESISTOR, CHIP 47K
R934	1-216-025-91	s	RESISTOR,CHIP 100 1/10W(2125)
R935	1-216-025-91	s	RESISTOR,CHIP 100 1/10W(2125)
R936	1-216-025-91	s	RESISTOR,CHIP 100 1/10W(2125)
R937	1-216-025-91	s	RESISTOR,CHIP 100 1/10W(2125)
R940	1-216-679-11	s	RESISTOR CHIP 15K 1/10W (2012)
R941	1-216-679-11	s	RESISTOR CHIP 15K 1/10W (2012)
R942	1-216-679-11	s	RESISTOR CHIP 15K 1/10W (2012)
R943	1-216-679-11	s	RESISTOR CHIP 15K 1/10W (2012)
R944	1-216-679-11	s	RESISTOR CHIP 15K 1/10W (2012)
R945	1-216-679-11	s	RESISTOR CHIP 15K 1/10W (2012)
R946	1-216-679-11	s	RESISTOR CHIP 15K 1/10W (2012)
R947	1-216-679-11	s	RESISTOR CHIP 15K 1/10W (2012)
R948	1-216-679-11	s	RESISTOR CHIP 15K 1/10W (2012)
R949	1-216-679-11	s	RESISTOR CHIP 15K 1/10W (2012)
R950	1-216-025-91	s	RESISTOR,CHIP 100 1/10W(2125)
R963	1-216-025-91	s	RESISTOR,CHIP 100 1/10W(2125)
R976	1-216-025-91	s	RESISTOR,CHIP 100 1/10W(2125)
R1000	1-216-033-00	s	RESISTOR,CHIP 220 1/10W(2012)
R1001	1-216-133-00	s	RESISTOR,CHIP 3.3M 1/10W(2012)
R1002	1-216-133-00	s	RESISTOR,CHIP 3.3M 1/10W(2012)
R1004	1-216-049-91	s	RESISTOR,CHIP 1K 1/10W(2125)
R1005	1-216-049-91	s	RESISTOR,CHIP 1K 1/10W(2125)
R1006	1-216-651-11	s	RESISTOR,CHIP 1K 1/10W(2012)
R1007	1-216-073-00	s	RESISTOR,CHIP 10K 1/10W(2012)
R1008	1-216-049-91	s	RESISTOR,CHIP 1K 1/10W(2125)
R1009	1-216-017-91	s	RESISTOR, CHIP 47 1/10W(2012)
R1010	1-216-097-91	s	RESISTOR,CHIP 100K 1/10W(2012)
R1011	1-216-121-91	s	RESISTOR CHIP 1M 1/10W(2125)
R1012	1-216-649-11	s	RESISTOR,CHIP 820 1/10W (2012)
R1013	1-216-295-91	s	RESISTOR, CHIP 0 (1/10W)
R1015	1-216-049-91	s	RESISTOR,CHIP 1K 1/10W(2125)
R1016	1-216-049-91	s	RESISTOR,CHIP 1K 1/10W(2125)
R1017	1-216-295-91	s	RESISTOR, CHIP 0 (1/10W)
R1019	1-216-057-00	s	RESISTOR CHIP 2.2K 1/10W(2012)
R1020	1-216-073-00	s	RESISTOR,CHIP 10K 1/10W(2012)
R1021	1-216-057-00	s	RESISTOR CHIP 2.2K 1/10W(2012)
R1022	1-216-051-00	s	RESISTOR,CHIP 1.2K 1/10W(2012)
R1024	1-216-073-00	s	RESISTOR,CHIP 10K 1/10W(2012)
R1025	1-216-651-11	s	RESISTOR,CHIP 1K 1/10W(2012)
R1027	1-216-121-91	s	RESISTOR CHIP 1M 1/10W(2125)
R1028	1-216-651-11	s	RESISTOR,CHIP 1K 1/10W(2012)
R1029	1-216-661-11	s	RESISTOR,CHIP 2.7K 1/10W(2012)
R1030	1-216-635-11	s	RESISTOR CHIP 220 1/10W (2012)
R1031	1-216-057-00	s	RESISTOR CHIP 2.2K 1/10W(2012)

(VPR-1B BOARD suffix 18 or higher)

Ref. No. or Q'ty	Part No.	SP	Description
R1032	1-216-675-11	s	RESISTOR,CHIP 10K 1/10W(2012)
R1033	1-216-651-11	s	RESISTOR,CHIP 1K 1/10W(2012)
R1034	1-216-025-91	s	RESISTOR,CHIP 100 1/10W(2125)
R1035	1-216-675-11	s	RESISTOR,CHIP 10K 1/10W(2012)
R1036	1-216-689-11	s	RESISTOR,CHIP 39K 1/10W(2012)
R1037	1-216-677-11	s	RESISTOR,CHIP 12K 1/10W(2012)
R1038	1-216-651-11	s	RESISTOR,CHIP 1K 1/10W(2012)
R1039	1-216-083-00	s	RESISTOR,CHIP 27K 1/10W(2012)
R1040	1-216-049-91	s	RESISTOR,CHIP 1K 1/10W(2125)
R1041	1-216-651-11	s	RESISTOR,CHIP 1K 1/10W(2012)
R1042	1-216-651-11	s	RESISTOR,CHIP 1K 1/10W(2012)
R1043	1-216-121-91	s	RESISTOR,CHIP 1M 1/10W(2125)
R1044	1-216-651-11	s	RESISTOR,CHIP 1K 1/10W(2012)
R1045	1-216-089-91	s	RESISTOR,CHIP 47K
R1046	1-216-093-00	s	RESISTOR,CHIP 68K 1/10W(2012)
R1047	1-216-651-11	s	RESISTOR,CHIP 1K 1/10W(2012)
R1048	1-216-049-91	s	RESISTOR,CHIP 1K 1/10W(2125)
R1049	1-216-651-11	s	RESISTOR,CHIP 1K 1/10W(2012)
R1050	1-216-651-11	s	RESISTOR,CHIP 1K 1/10W(2012)
R1051	1-216-121-91	s	RESISTOR,CHIP 1M 1/10W(2125)
R1052	1-216-081-00	s	RESISTOR,CHIP 22K 1/10W(2012)
R1053	1-216-295-91	s	RESISTOR,CHIP 0 (1/10W)
R1055	1-216-661-11	s	RESISTOR,CHIP 2.7K 1/10W(2012)
R1056	1-216-675-11	s	RESISTOR,CHIP 10K 1/10W(2012)
R1057	1-216-651-11	s	RESISTOR,CHIP 1K 1/10W(2012)
R1061	1-216-295-91	s	RESISTOR,CHIP 0 (1/10W)
R1063	1-216-025-91	s	RESISTOR,CHIP 100 1/10W(2125)
R1064	1-216-069-00	s	RESISTOR,CHIP 6.8K 1/10W(2012)
R1065	1-216-073-00	s	RESISTOR,CHIP 10K 1/10W(2012)
R1066	1-216-663-11	s	RESISTOR,CHIP 3.3K 1/10W(2012)
R1067	1-216-097-91	s	RESISTOR,CHIP 100K 1/10W(2012)
R1068	1-216-049-91	s	RESISTOR,CHIP 1K 1/10W(2125)
R1072	1-216-295-91	s	RESISTOR,CHIP 0 (1/10W)
R1073	1-216-073-00	s	RESISTOR,CHIP 10K 1/10W(2012)
R1074	1-216-041-00	s	RESISTOR,CHIP 470 1/10W(2012)
R1077	1-216-683-11	s	RESISTOR,CHIP 22K 1/10W (2012)
R1078	1-216-057-00	s	RESISTOR,CHIP 2.2K 1/10W(2012)
R1079	1-216-683-11	s	RESISTOR,CHIP 22K 1/10W (2012)
R1080	1-216-295-91	s	RESISTOR,CHIP 0 (1/10W)
R1081	1-216-697-91	s	RESISTOR,CHIP METAL OXIDE 82K
R1082	1-216-667-11	s	RESISTOR,CHIP 4.7K 1/10W(2012)
R1083	1-216-651-11	s	RESISTOR,CHIP 1K 1/10W(2012)
R1084	1-216-073-00	s	RESISTOR,CHIP 10K 1/10W(2012)
R1085	1-216-081-00	s	RESISTOR,CHIP 22K 1/10W(2012)
R1086	1-216-073-00	s	RESISTOR,CHIP 10K 1/10W(2012)
R1087	1-216-017-91	s	RESISTOR,CHIP 47 1/10W(2012)
R1088	1-216-667-11	s	RESISTOR,CHIP 4.7K 1/10W(2012)
R1089	1-216-017-91	s	RESISTOR,CHIP 47 1/10W(2012)
R1090	1-216-085-00	s	RESISTOR,CHIP 33K 1/10W(2012)
R1091	1-216-073-00	s	RESISTOR,CHIP 10K 1/10W(2012)
R1092	1-216-085-00	s	RESISTOR,CHIP 33K 1/10W(2012)
R1093	1-216-665-11	s	RESISTOR,CHIP 3.9K 1/10W(2012)
R1094	1-216-663-11	s	RESISTOR,CHIP 3.3K 1/10W(2012)
R1095	1-216-671-11	s	RESISTOR,CHIP 6.8K 1/10W(2012)
R1096	1-216-097-91	s	RESISTOR,CHIP 100K 1/10W(2012)
R1097	1-216-097-91	s	RESISTOR,CHIP 100K 1/10W(2012)
R1098	1-216-097-91	s	RESISTOR,CHIP 100K 1/10W(2012)
R1099	1-216-073-00	s	RESISTOR,CHIP 10K 1/10W(2012)
R1100	1-216-073-00	s	RESISTOR,CHIP 10K 1/10W(2012)

(VPR-1B BOARD suffix 18 or higher)

Ref. No. or Q'ty	Part No.	SP	Description
R1101	1-216-097-91	s	RESISTOR,CHIP 100K 1/10W(2012)
R1102	1-216-643-11	s	RESISTOR,CHIP 470 1/10W (2012)
R1103	1-216-643-11	s	RESISTOR,CHIP 470 1/10W (2012)
R1104	1-216-073-00	s	RESISTOR,CHIP 10K 1/10W(2012)
R1105	1-216-685-11	s	RESISTOR,CHIP 27K 1/10W(2012)
R1106	1-216-675-11	s	RESISTOR,CHIP 10K 1/10W(2012)
R1107	1-216-065-91	s	RESISTOR,CHIP 4.7K (2012)
R1108	1-216-073-00	s	RESISTOR,CHIP 10K 1/10W(2012)
R1109	1-216-295-91	s	RESISTOR,CHIP 0 (1/10W)
R1112	1-216-065-91	s	RESISTOR,CHIP 4.7K (2012)
R1113	1-216-025-91	s	RESISTOR,CHIP 100 1/10W(2125)
R1114	1-216-049-91	s	RESISTOR,CHIP 1K 1/10W(2125)
R1115	1-216-689-11	s	RESISTOR,CHIP 39K 1/10W(2012)
R1116	1-216-073-00	s	RESISTOR,CHIP 10K 1/10W(2012)
R1117	1-216-665-11	s	RESISTOR,CHIP 3.9K 1/10W(2012)
R1119	1-216-679-11	s	RESISTOR,CHIP 15K 1/10W (2012)
R1120	1-216-663-11	s	RESISTOR,CHIP 3.3K 1/10W(2012)
R1121	1-216-671-11	s	RESISTOR,CHIP 6.8K 1/10W(2012)
R1122	1-216-659-11	s	RESISTOR,CHIP 2.2K 1/10W(2012)
R1123	1-216-643-11	s	RESISTOR,CHIP 470 1/10W (2012)
R1124	1-216-643-11	s	RESISTOR,CHIP 470 1/10W (2012)
R1125	1-216-675-11	s	RESISTOR,CHIP 10K 1/10W(2012)
R1126	1-216-685-11	s	RESISTOR,CHIP 27K 1/10W(2012)
R1127	1-216-675-11	s	RESISTOR,CHIP 10K 1/10W(2012)
R1128	1-216-295-91	s	RESISTOR,CHIP 0 (1/10W)
R1130	1-216-295-91	s	RESISTOR,CHIP 0 (1/10W)
R1132	1-216-049-91	s	RESISTOR,CHIP 1K 1/10W(2125)
R1133	1-216-065-91	s	RESISTOR,CHIP 4.7K (2012)
R1134	1-216-025-91	s	RESISTOR,CHIP 100 1/10W(2125)
R1135	1-216-025-91	s	RESISTOR,CHIP 100 1/10W(2125)
R1136	1-216-025-91	s	RESISTOR,CHIP 100 1/10W(2125)
R1137	1-216-643-11	s	RESISTOR,CHIP 470 1/10W (2012)
R1138	1-216-643-11	s	RESISTOR,CHIP 470 1/10W (2012)
R1139	1-216-643-11	s	RESISTOR,CHIP 470 1/10W (2012)
R1140	1-216-675-11	s	RESISTOR,CHIP 10K 1/10W(2012)
R1142	1-216-025-91	s	RESISTOR,CHIP 100 1/10W(2125)
R1144	1-216-073-00	s	RESISTOR,CHIP 10K 1/10W(2012)
R1145	1-216-097-91	s	RESISTOR,CHIP 100K 1/10W(2012)
R1146	1-216-081-00	s	RESISTOR,CHIP 22K 1/10W(2012)
R1147	1-216-081-00	s	RESISTOR,CHIP 22K 1/10W(2012)
R1148	1-216-017-91	s	RESISTOR,CHIP 47 1/10W(2012)
R1149	1-216-079-00	s	RESISTOR,CHIP 18K 1/10W(2012)
R1150	1-216-295-91	s	RESISTOR,CHIP 0 (1/10W)
R1151	1-216-295-91	s	RESISTOR,CHIP 0 (1/10W)
R1152	1-216-295-91	s	RESISTOR,CHIP 0 (1/10W)
R1154	1-216-025-91	s	RESISTOR,CHIP 100 1/10W(2125)
R1156	1-218-760-11	s	RESISTOR,CHIP 220K 1/10W(2012)
R1157	1-216-643-11	s	RESISTOR,CHIP 470 1/10W (2012)
R1159	1-216-025-91	s	RESISTOR,CHIP 100 1/10W(2125)
R1160	1-216-057-00	s	RESISTOR,CHIP 2.2K 1/10W(2012)
R1161	1-216-025-91	s	RESISTOR,CHIP 100 1/10W(2125)
R1162	1-216-659-11	s	RESISTOR,CHIP 2.2K 1/10W(2012)
R1165	1-216-025-91	s	RESISTOR,CHIP 100 1/10W(2125)
R1166	1-216-073-00	s	RESISTOR,CHIP 10K 1/10W(2012)
R1167	1-216-695-11	s	RESISTOR,CHIP 68K 1/10W(2012)
R1168	1-216-041-00	s	RESISTOR,CHIP 470 1/10W(2012)
R1169	1-216-675-11	s	RESISTOR,CHIP 10K 1/10W(2012)
R1170	1-216-073-00	s	RESISTOR,CHIP 10K 1/10W(2012)
R1171	1-216-667-11	s	RESISTOR,CHIP 4.7K 1/10W(2012)

(VPR-1B BOARD suffix 18 or higher)

Ref. No. or Q'ty	Part No.	SP	Description
R1172	1-216-685-11	s	RESISTOR,CHIP 27K 1/10W(2012)
R1173	1-216-659-11	s	RESISTOR,CHIP 2.2K 1/10W(2012)
R1174	1-216-672-11	s	RESISTOR,CHIP 7.5K 1/10W(2012)
R1175	1-216-678-11	s	RESISTOR,CHIP 13K 1/10W(2012)
R1176	1-216-671-11	s	RESISTOR,CHIP 6.8K 1/10W(2012)
R1177	1-216-689-11	s	RESISTOR,CHIP 39K 1/10W(2012)
R1201	1-216-065-91	s	RESISTOR,CHIP 4.7K (2012)
R1202	1-216-065-91	s	RESISTOR,CHIP 4.7K (2012)
R1203	1-216-065-91	s	RESISTOR,CHIP 4.7K (2012)
R1204	1-216-065-91	s	RESISTOR,CHIP 4.7K (2012)
R1205	1-216-065-91	s	RESISTOR,CHIP 4.7K (2012)
R1210	1-216-695-11	s	RESISTOR,CHIP 68K 1/10W(2012)
R1212	1-216-295-91	s	RESISTOR, CHIP 0 (1/10W)
R1214	1-216-687-11	s	RESISTOR CHIP 33K 1/10W (2012)
R1215	1-216-693-11	s	RESISTOR CHIP 56K 1/10W (2012)
R1217	1-216-295-91	s	RESISTOR, CHIP 0 (1/10W)
R1226	1-216-073-00	s	RESISTOR,CHIP 10K 1/10W(2012)
R1227	1-216-295-91	s	RESISTOR, CHIP 0 (1/10W)
R1228	1-216-295-91	s	RESISTOR, CHIP 0 (1/10W)
R1229	1-216-097-91	s	RESISTOR,CHIP 100K 1/10W(2012)
R1230	1-216-097-91	s	RESISTOR,CHIP 100K 1/10W(2012)
R1231	1-216-097-91	s	RESISTOR,CHIP 100K 1/10W(2012)
RB50	1-239-309-11	s	RESISTOR ARRAY,CHIP 100K
RB51	1-239-309-11	s	RESISTOR ARRAY,CHIP 100K
RB312	1-239-412-11	s	NETWORK, RESISTOR 100 (1608)
RB313	1-239-412-11	s	NETWORK, RESISTOR 100 (1608)
RB314	1-239-412-11	s	NETWORK, RESISTOR 100 (1608)
RB315	1-239-412-11	s	NETWORK, RESISTOR 100 (1608)
RB316	1-239-412-11	s	NETWORK, RESISTOR 100 (1608)
RB317	1-239-412-11	s	NETWORK, RESISTOR 100 (1608)
RB318	1-239-711-11	s	NETWORK, RESISTOR 0 (1608)
RB319	1-239-711-11	s	NETWORK, RESISTOR 0 (1608)
RB320	1-239-711-11	s	NETWORK, RESISTOR 0 (1608)
RB321	1-239-711-11	s	NETWORK, RESISTOR 0 (1608)
RB322	1-239-711-11	s	NETWORK, RESISTOR 0 (1608)
RB323	1-239-711-11	s	NETWORK, RESISTOR 0 (1608)
RB324	1-239-711-11	s	NETWORK, RESISTOR 0 (1608)
RB325	1-239-711-11	s	NETWORK, RESISTOR 0 (1608)
RB326	1-239-412-11	s	NETWORK, RESISTOR 100 (1608)
RB327	1-239-412-11	s	NETWORK, RESISTOR 100 (1608)
RB328	1-239-412-11	s	NETWORK, RESISTOR 100 (1608)
RB500	1-239-628-11	s	RESISTOR NETWORK (CHIP TYPE)
RB501	1-239-628-11	s	RESISTOR NETWORK (CHIP TYPE)
RB502	1-239-628-11	s	RESISTOR NETWORK (CHIP TYPE)
RB503	1-239-628-11	s	RESISTOR NETWORK (CHIP TYPE)
RB504	1-239-306-11	s	RESISTOR ARRAY,CHIP 10K
RB505	1-239-412-11	s	NETWORK, RESISTOR 100 (1608)
RB506	1-239-412-11	s	NETWORK, RESISTOR 100 (1608)
RB507	1-239-412-11	s	NETWORK, RESISTOR 100 (1608)
RB508	1-239-412-11	s	NETWORK, RESISTOR 100 (1608)
RB509	1-239-412-11	s	NETWORK, RESISTOR 100 (1608)
RB510	1-239-412-11	s	NETWORK, RESISTOR 100 (1608)
RB511	1-239-412-11	s	NETWORK, RESISTOR 100 (1608)
RB512	1-239-412-11	s	NETWORK, RESISTOR 100 (1608)
RB513	1-239-412-11	s	NETWORK, RESISTOR 100 (1608)
TP506	1-535-881-21	o	TERMINAL, TP (AUTO INSERTION)
TP1001	1-535-881-21	o	TERMINAL, TP (AUTO INSERTION)
TP1003	1-535-881-21	o	TERMINAL, TP (AUTO INSERTION)

(VPR-1B BOARD suffix 18 or higher)

Ref. No. or Q'ty	Part No.	SP	Description
X500	1-760-263-11	s	OSCILLATOR, CRYSTAL (VCO TYPE)
X1001	1-760-268-11	s	OSCILLATOR, CRYSTAL (VCO TYPE)
X1002	1-760-274-11	s	OSCILLATOR, CRYSTAL (VCO TYPE)
X1003	1-760-275-11	s	OSCILLATOR, CRYSTAL (VCO TYPE)

-----  
VPR-1B BOARD for DVW-A510P/CA510P, suffix 21 through 26  
-----

Ref. No. or Q'ty	Part No.	SP	Description
1pc	A-8275-337-B	o	MOUNTED CIRCUIT BOARD, VPR-1BAP
1pc	3-171-453-03	o	PLATE (L), SHIELD, CARD
1pc	3-171-454-02	o	SHEET (L), CARD
1pc	7-682-902-11	s	SCREW +PWH 2.6x5
1pc	3-179-084-01	s	LEVER (R), PC BOARD
1pc	3-179-085-01	s	LEVER (L), PC BOARD
C311	*4 1-163-227-11	s	CERAMIC, CHIP 10pF 5% 50V (2125)
C313	*4 1-163-037-11	s	CERAMIC, CHIP 0.022uF 10% 25V
C336	1-126-964-11	s	ELECT 10uF 20% 50V
C337	1-126-964-11	s	ELECT 10uF 20% 50V
C339	1-164-232-11	s	CERAMIC, CHIP 0.01uF 10% 100V
C340	1-164-232-11	s	CERAMIC, CHIP 0.01uF 10% 100V
C500-503	1-126-964-11	s	ELECT 10uF 20% 50V
C504-507	1-164-232-11	s	CERAMIC, CHIP 0.01uF 10% 100V
C508	*4 1-163-037-11	s	CERAMIC, CHIP 0.022uF 10% 25V
C509-511	1-163-037-11	s	CERAMIC, CHIP 0.022uF 10% 25V
C512	*4 1-126-933-11	s	ELECT 100uF 20% 16V
C513-515	1-163-037-11	s	CERAMIC, CHIP 0.022uF 10% 25V
C516	*4 1-163-037-11	s	CERAMIC, CHIP 0.022uF 10% 25V
C517-521	1-163-037-11	s	CERAMIC, CHIP 0.022uF 10% 25V
C523-527	1-163-037-11	s	CERAMIC, CHIP 0.022uF 10% 25V
C528	1-126-933-11	s	ELECT 100uF 20% 16V
C529	1-163-809-11	s	CERAMIC, CHIP 0.047uF 10% 25V
C530-532	1-163-037-11	s	CERAMIC, CHIP 0.022uF 10% 25V
C533	1-135-167-21	s	TANTALUM, CHIP 68uF 10% 6.3V
C534	1-135-167-21	s	TANTALUM, CHIP 68uF 10% 6.3V
C535	1-163-037-11	s	CERAMIC, CHIP 0.022uF 10% 25V
C536	1-126-933-11	s	ELECT 100uF 20% 16V
C537	1-163-037-11	s	CERAMIC, CHIP 0.022uF 10% 25V
C538	1-126-933-11	s	ELECT 100uF 20% 16V
C539	1-126-933-11	s	ELECT 100uF 20% 16V
C540	1-163-037-11	s	CERAMIC, CHIP 0.022uF 10% 25V
C541-543	1-126-964-11	s	ELECT 10uF 20% 50V
C544	*4 1-163-037-11	s	CERAMIC, CHIP 0.022uF 10% 25V
C545-547	1-164-232-11	s	CERAMIC, CHIP 0.01uF 10% 100V
C548	1-126-925-11	s	ELECT 470uF 20% 10V
C549	1-163-037-11	s	CERAMIC, CHIP 0.022uF 10% 25V
C550	*4 1-164-695-11	s	CERAMIC, CHIP 2200pF 5% 50V
	*1 1-163-275-11	s	CERAMIC, CHIP 1000pF 5% 50V
C551	*4 1-164-685-11	s	CERAMIC, CHIP 1300pF 5% 50V
	*1 1-163-133-00	s	CERAMIC, CHIP 470pF 5% 50V (2125)
C552	*4 1-163-089-00	s	CERAMIC, CHIP 6pF 50V (2125)
	*1 1-163-222-11	s	CERAMIC, CHIP 5pF 50V (2125)
C553	*4 1-126-933-11	s	ELECT 100uF 20% 16V
	*1 1-163-037-11	s	CERAMIC, CHIP 0.022uF 10% 25V
C554	*4 1-163-037-11	s	CERAMIC, CHIP 0.022uF 10% 25V
	*1 1-163-235-11	s	CERAMIC, CHIP 22pF 5% 50V (2125)
C555	1-164-695-11	s	CERAMIC, CHIP 2200pF 5% 50V
C556	*1 1-126-923-11	s	ELECT 220uF 20% 10V
C557	*1 1-126-923-11	s	ELECT 220uF 20% 10V
C558	*1 1-163-037-11	s	CERAMIC, CHIP 0.022uF 10% 25V
C559	*1 1-163-241-11	s	CERAMIC, CHIP 39pF 5% 50V (2125)
C560	1-164-695-11	s	CERAMIC, CHIP 2200pF 5% 50V

-----  
\*1: Board No. suffix 21 only  
\*4: Board No. suffix 22 of higher  
-----

(VPR-1B BOARD for DVW-A510P/CA510P, suffix 21 through 26)

Ref. No. or Q'ty	Part No.	SP	Description
C561	*1 1-126-923-11	s	ELECT 220uF 20% 10V
C562	*1 1-126-923-11	s	ELECT 220uF 20% 10V
C563	*1 1-163-037-11	s	CERAMIC, CHIP 0.022uF 10% 25V (2125)
C564	*1 1-163-241-11	s	CERAMIC, CHIP 39pF 5% 50V (2125)
C565	*4 1-164-695-11	s	CERAMIC, CHIP 2200pF 5% 50V (2125)
	*1 1-163-275-11	s	CERAMIC, CHIP 1000pF 5% 50V (2125)
C566	*4 1-164-685-11	s	CERAMIC, CHIP 1300pF 5% 50V (2125)
	*1 1-163-133-00	s	CERAMIC, CHIP 470pF 5% 50V (2125)
C567	*4 1-163-089-00	s	CERAMIC, CHIP 6pF 50V (2125)
	*1 1-163-222-11	s	CERAMIC, CHIP 5pF 50V (2125)
C568	*1 1-163-037-11	s	CERAMIC, CHIP 0.022uF 10% 25V (2125)
C569	*1 1-163-097-00	s	CERAMIC, CHIP 15pF 5% 50V (2125)
C570	*4 1-164-695-11	s	CERAMIC, CHIP 2200pF 5% 50V (2125)
	*1 1-163-275-11	s	CERAMIC, CHIP 1000pF 5% 50V (2125)
C571	*4 1-164-685-11	s	CERAMIC, CHIP 1300pF 5% 50V (2125)
	*1 1-163-133-00	s	CERAMIC, CHIP 470pF 5% 50V (2125)
C572	*4 1-163-089-00	s	CERAMIC, CHIP 6pF 50V (2125)
	*1 1-163-222-11	s	CERAMIC, CHIP 5pF 50V (2125)
C573	*1 1-163-037-11	s	CERAMIC, CHIP 0.022uF 10% 25V (2125)
C575	*1 1-126-923-11	s	ELECT 220uF 20% 10V
C598	*4 1-163-220-11	s	CERAMIC, CHIP 3pF 50V (2125)
C599	*4 1-163-220-11	s	CERAMIC, CHIP 3pF 50V (2125)
C600	1-163-037-11	s	CERAMIC, CHIP 0.022uF 10% 25V (2125)
C601	*4 1-126-933-11	s	ELECT 100uF 20% 16V
	*1 1-163-037-11	s	CERAMIC, CHIP 0.022uF 10% 25V (2125)
C602	1-163-037-11	s	CERAMIC, CHIP 0.022uF 10% 25V (2125)
C603	*4 1-127-516-11	s	ELECT 220uF 20% 10V
	*1 1-127-518-11	s	ALUMN SOLID 100uF 20% 16V
C604	1-163-037-11	s	CERAMIC, CHIP 0.022uF 10% 25V (2125)
C605	1-163-038-00	s	CERAMIC, CHIP 0.1uF 25V (2125)
C606-608	1-163-037-11	s	CERAMIC, CHIP 0.022uF 10% 25V (2125)
C609	1-163-038-00	s	CERAMIC, CHIP 0.1uF 25V (2125)
C610	1-163-037-11	s	CERAMIC, CHIP 0.022uF 10% 25V (2125)
C611	1-163-038-00	s	CERAMIC, CHIP 0.1uF 25V (2125)
C612	*4 1-163-037-11	s	CERAMIC, CHIP 0.022uF 10% 25V (2125)
	*1 1-127-517-11	s	ALMUN SOLID 150uF 20% 16V
C613	*4 1-163-037-11	s	CERAMIC, CHIP 0.022uF 10% 25V (2125)
C614	*4 1-127-516-11	s	ELECT 220uF 20% 10V
	*1 1-127-517-11	s	ALMUN SOLID 150uF 20% 16V
C615	1-163-037-11	s	CERAMIC, CHIP 0.022uF 10% 25V (2125)
C616	1-163-038-00	s	CERAMIC, CHIP 0.1uF 25V (2125)
C617	1-163-037-11	s	CERAMIC, CHIP 0.022uF 10% 25V (2125)
C618	*4 1-135-157-21	s	TANTALUM, CHIP 10uF 10% 6.3V
C619	1-163-037-11	s	CERAMIC, CHIP 0.022uF 10% 25V (2125)
C620	*4 1-163-087-00	s	CERAMIC, CHIP 4pF 50V (2125)
C621	1-163-037-11	s	CERAMIC, CHIP 0.022uF 10% 25V (2125)
C622	*4 1-163-037-11	s	CERAMIC, CHIP 0.022uF 10% 25V (2125)
C623	*1 1-126-933-11	s	ELECT 100uF 20% 16V
C624	1-163-243-11	s	CERAMIC, CHIP 47pF 5% 50V (2125)
C625	1-163-251-11	s	CERAMIC, CHIP 100pF 5% 50V (2125)
C626	*4 1-135-157-21	s	TANTALUM, CHIP 10uF 10% 6.3V
C628-634	1-163-037-11	s	CERAMIC, CHIP 0.022uF 10% 25V (2125)
C635	*4 1-127-516-11	s	ELECT 220uF 20% 10V
	*1 1-126-933-11	s	ELECT 100uF 20% 16V

(VPR-1B BOARD for DVW-A510P/CA510P, suffix 21 through 26)

Ref. No. or Q'ty	Part No.	SP	Description
C636	*4 1-163-037-11	s	CERAMIC, CHIP 0.022uF 10% 25V
C637-640	1-163-037-11	s	CERAMIC, CHIP 0.022uF 10% 25V
C641-646	*4 1-135-210-11	s	TANTALUM, CHIP 4.7uF 20% 10V
	*1 1-135-091-00	s	TANTALUM, CHIP 1.0uF 20% 16V
C647-649	*4 1-135-091-00	s	TANTALUM, CHIP 1.0uF 20% 16V
	*1 1-104-559-11	s	FILM, CHIP 0.047uF 5% 16V (3216)
C650-656	1-163-037-11	s	CERAMIC, CHIP 0.022uF 10% 25V
C657	*4 1-126-933-11	s	ELECT 100uF 20% 16V
	*1 1-163-037-11	s	CERAMIC, CHIP 0.022uF 10% 25V
C658	*4 1-127-516-11	s	ELECT 220uF 20% 10V
	*1 1-127-518-11	s	ALUMN SOLID 100uF 20% 16V
C659	1-163-037-11	s	CERAMIC, CHIP 0.022uF 10% 25V
C660	*4 1-135-157-21	s	TANTALUM, CHIP 10uF 10% 6.3V
C661-664	1-163-037-11	s	CERAMIC, CHIP 0.022uF 10% 25V
C665-667	1-163-038-00	s	CERAMIC, CHIP 0.1uF 25V (2125)
C668	*4 1-163-037-11	s	CERAMIC, CHIP 0.022uF 10% 25V
	*1 1-127-517-11	s	ALMUN SOLID 150uF 20% 16V
C670	1-163-037-11	s	CERAMIC, CHIP 0.022uF 10% 25V
C671	1-163-038-00	s	CERAMIC, CHIP 0.1uF 25V (2125)
C672	*4 1-163-037-11	s	CERAMIC, CHIP 0.022uF 10% 25V
C673	1-163-037-11	s	CERAMIC, CHIP 0.022uF 10% 25V
C674	*4 1-135-157-21	s	TANTALUM, CHIP 10uF 10% 6.3V
C675	1-163-037-11	s	CERAMIC, CHIP 0.022uF 10% 25V
C676	*4 1-163-220-11	s	CERAMIC, CHIP 3pF 50V (2125)
C677	1-163-037-11	s	CERAMIC, CHIP 0.022uF 10% 25V
C678	*4 1-163-037-11	s	CERAMIC, CHIP 0.022uF 10% 25V
C679	*4 1-135-157-21	s	TANTALUM, CHIP 10uF 10% 6.3V
C680	*4 1-127-516-11	s	ELECT 220uF 20% 10V
	*1 1-127-517-11	s	ALMUN SOLID 150uF 20% 16V
C681	*4 1-127-516-11	s	ELECT 220uF 20% 10V
	*1 1-126-933-11	s	ELECT 100uF 20% 16V
C682	*4 1-163-220-11	s	CERAMIC, CHIP 3pF 50V (2125)
C683	*4 1-163-037-11	s	CERAMIC, CHIP 0.022uF 10% 25V
C684-688	1-163-037-11	s	CERAMIC, CHIP 0.022uF 10% 25V
C689	*4 1-163-037-11	s	CERAMIC, CHIP 0.022uF 10% 25V
C690	*1 1-126-933-11	s	ELECT 100uF 20% 16V
C691	1-163-037-11	s	CERAMIC, CHIP 0.022uF 10% 25V
C692	1-163-251-11	s	CERAMIC, CHIP 100pF 5% 50V (2125)
C693	1-163-127-00	s	CERAMIC, CHIP 270pF 5% 50V (2125)
C694	1-163-251-11	s	CERAMIC, CHIP 100pF 5% 50V
C695	*4 1-163-037-11	s	CERAMIC, CHIP 0.022uF 10% 25V
C696	*4 1-163-037-11	s	CERAMIC, CHIP 0.022uF 10% 25V
C697-700	*4 1-135-210-11	s	TANTALUM, CHIP 4.7uF 20% 10V
	*1 1-135-091-00	s	TANTALUM, CHIP 1.0uF 20% 16V
C701	*4 1-135-091-00	s	TANTALUM, CHIP 1.0uF 20% 16V
	*1 1-104-559-11	s	FILM, CHIP 0.047uF 5% 16V (3216)
C702	*4 1-135-091-00	s	TANTALUM, CHIP 1.0uF 20% 16V
	*1 1-104-559-11	s	FILM, CHIP 0.047uF 5% 16V (3216)
C703	1-163-037-11	s	CERAMIC, CHIP 0.022uF 10% 25V
C704	1-163-037-11	s	CERAMIC, CHIP 0.022uF 10% 25V

-----  
 \*1: Board No. suffix 21 only  
 \*3: Board No. suffix 21 of 22

(VPR-1B BOARD for DVW-A510P/CA510P, suffix 21 through 26)

Ref. No. or Q'ty	Part No.	SP	Description
C705	1-163-222-11	s	CERAMIC, CHIP 5pF 50V (2125)
C706	1-163-243-11	s	CERAMIC, CHIP 47pF 5% 50V (2125)
C707-710	1-163-037-11	s	CERAMIC, CHIP 0.022uF 10% 25V (2125)
C711	1-163-227-11	s	CERAMIC, CHIP 10pF 5% 50V (2125)
C712	1-163-037-11	s	CERAMIC, CHIP 0.022uF 10% 25V (2125)
C713	1-135-161-21	s	TANTALUM, CHIP 22uF 10% 10V
C714-719	*4 1-163-037-11	s	CERAMIC, CHIP 0.022uF 10% 25V (2125)
C745-749	1-163-038-00	s	CERAMIC, CHIP 0.1uF 25V (2125)
C750	1-126-947-11	s	ELECT 47uF 20% 35V
C751-757	1-126-933-11	s	ELECT 100uF 20% 16V
C758	1-163-037-11	s	CERAMIC, CHIP 0.022uF 10% 25V (2125)
C760	1-163-037-11	s	CERAMIC, CHIP 0.022uF 10% 25V (2125)
C762	1-126-933-11	s	ELECT 100uF 20% 16V
C765	1-163-037-11	s	CERAMIC, CHIP 0.022uF 10% 25V (2125)
C767	1-126-947-11	s	ELECT 47uF 20% 35V
C769	1-163-037-11	s	CERAMIC, CHIP 0.022uF 10% 25V (2125)
C771	1-126-933-11	s	ELECT 100uF 20% 16V
C772-775	1-163-037-11	s	CERAMIC, CHIP 0.022uF 10% 25V (2125)
C776	1-126-933-11	s	ELECT 100uF 20% 16V
C777	1-163-037-11	s	CERAMIC, CHIP 0.022uF 10% 25V (2125)
C778	1-126-933-11	s	ELECT 100uF 20% 16V
C779-782	1-163-037-11	s	CERAMIC, CHIP 0.022uF 10% 25V (2125)
C783	*3 1-163-037-11	s	CERAMIC, CHIP 0.022uF 10% 25V (2125)
C784	1-126-964-11	s	ELECT 10uF 20% 50V
C785	1-163-038-00	s	CERAMIC, CHIP 0.1uF 25V (2125)
C786-792	1-163-037-11	s	CERAMIC, CHIP 0.022uF 10% 25V (2125)
C793	1-163-275-11	s	CERAMIC, CHIP 1000pF 5% 50V (2125)
C796	1-163-037-11	s	CERAMIC, CHIP 0.022uF 10% 25V (2125)
C802	1-163-037-11	s	CERAMIC, CHIP 0.022uF 10% 25V (2125)
C803	1-163-037-11	s	CERAMIC, CHIP 0.022uF 10% 25V (2125)
C805	1-163-037-11	s	CERAMIC, CHIP 0.022uF 10% 25V (2125)
C807	1-163-037-11	s	CERAMIC, CHIP 0.022uF 10% 25V (2125)
C809	1-163-037-11	s	CERAMIC, CHIP 0.022uF 10% 25V (2125)
C812	1-163-037-11	s	CERAMIC, CHIP 0.022uF 10% 25V (2125)
C814	1-163-037-11	s	CERAMIC, CHIP 0.022uF 10% 25V (2125)
C816	1-163-037-11	s	CERAMIC, CHIP 0.022uF 10% 25V (2125)
C818	1-163-037-11	s	CERAMIC, CHIP 0.022uF 10% 25V (2125)
C821-824	1-163-037-11	s	CERAMIC, CHIP 0.022uF 10% 25V (2125)
C1000	1-126-933-11	s	ELECT 100uF 20% 16V
C1001	1-163-239-11	s	CERAMIC, CHIP 33pF 5% 50V (2125)
C1002	1-126-933-11	s	ELECT 100uF 20% 16V
C1003	1-163-037-11	s	CERAMIC, CHIP 0.022uF 10% 25V (2125)
C1004	1-163-125-00	s	CERAMIC, CHIP 220pF 5% 50V (2125)
C1005	1-164-232-11	s	CERAMIC, CHIP 0.01uF 10% 100V (2125)
C1006	1-163-037-11	s	CERAMIC, CHIP 0.022uF 10% 25V (2125)
C1007	1-163-133-00	s	CERAMIC, CHIP 470pF 5% 50V (2125)
C1008	1-126-933-11	s	ELECT 100uF 20% 16V
C1009	1-126-933-11	s	ELECT 100uF 20% 16V
C1010	1-126-933-11	s	ELECT 100uF 20% 16V
C1011	1-163-037-11	s	CERAMIC, CHIP 0.022uF 10% 25V (2125)
C1012	1-163-037-11	s	CERAMIC, CHIP 0.022uF 10% 25V (2125)
C1013	1-163-037-11	s	CERAMIC, CHIP 0.022uF 10% 25V (2125)
C1014	1-164-232-11	s	CERAMIC, CHIP 0.01uF 10% 100V (2125)
C1015	1-104-559-11	s	FILM, CHIP 0.047uF 5% 16V (3216)
C1017	*1 1-163-038-00	s	CERAMIC, CHIP 0.1uF 25V (2125)

-----  
 \*4: Board No. suffix 22 of higher



(VPR-1B BOARD for DVW-A510P/CA510P, suffix 21 through 26)

(VPR-1B BOARD for DVW-A510P/CA510P, suffix 21 through 26)

Ref. No. or Q'ty	Part No.	SP	Description
C1018	1-163-251-11	s	CERAMIC, CHIP 100pF 5% 50V (2125)
C1020	1-163-037-11	s	CERAMIC, CHIP 0.022uF 10% 25V
C1021 *4	1-163-038-00	s	CERAMIC, CHIP 0.1uF 25V (2125)
C1022	1-163-038-00	s	CERAMIC, CHIP 0.1uF 25V (2125)
C1024	1-163-037-11	s	CERAMIC, CHIP 0.022uF 10% 25V
C1025	1-163-133-00	s	CERAMIC, CHIP 470pF 5% 50V (2125)
C1026	1-163-037-11	s	CERAMIC, CHIP 0.022uF 10% 25V
C1027	1-163-239-11	s	CERAMIC, CHIP 33pF 5% 50V (2125)
C1028	1-163-125-00	s	CERAMIC, CHIP 220pF 5% 50V (2125)
C1029	1-104-547-11	s	FILM, CHIP 0.0047uF 5% 16V (2125)
C1030	1-163-037-11	s	CERAMIC, CHIP 0.022uF 10% 25V
C1031 *4	1-163-037-11	s	CERAMIC, CHIP 0.022uF 10% 25V
C1032	1-163-037-11	s	CERAMIC, CHIP 0.022uF 10% 25V
C1033	1-163-125-00	s	CERAMIC, CHIP 220pF 5% 50V (2125)
C1034	1-163-235-11	s	CERAMIC, CHIP 22pF 5% 50V (2125)
C1035	1-163-235-11	s	CERAMIC, CHIP 22pF 5% 50V (2125)
C1036	1-163-235-11	s	CERAMIC, CHIP 22pF 5% 50V (2125)
C1037	1-104-547-11	s	FILM, CHIP 0.0047uF 5% 16V (2125)
C1038	1-164-232-11	s	CERAMIC, CHIP 0.01uF 10% 100V
C1039	1-164-232-11	s	CERAMIC, CHIP 0.01uF 10% 100V
C1040	1-163-235-11	s	CERAMIC, CHIP 22pF 5% 50V (2125)
C1041	1-163-037-11	s	CERAMIC, CHIP 0.022uF 10% 25V
C1042	1-163-037-11	s	CERAMIC, CHIP 0.022uF 10% 25V
C1043	1-163-085-00	s	CERAMIC, CHIP 2pF 50V (2125)
C1044	1-163-089-00	s	CERAMIC, CHIP 6pF 50V (2125)
C1045 *4	1-163-037-11	s	CERAMIC, CHIP 0.022uF 10% 25V
C1046	1-163-038-00	s	CERAMIC, CHIP 0.1uF 25V (2125)
C1048	1-163-239-11	s	CERAMIC, CHIP 33pF 5% 50V (2125)
C1049	1-135-085-21	s	TANTALUM, CHIP 4.7uF 10% 25V
C1050	1-135-085-21	s	TANTALUM, CHIP 4.7uF 10% 25V
C1051 *4	1-163-037-11	s	CERAMIC, CHIP 0.022uF 10% 25V
C1052	1-163-037-11	s	CERAMIC, CHIP 0.022uF 10% 25V
C1053	1-126-933-11	s	ELECT 100uF 20% 16V
C1055	1-163-037-11	s	CERAMIC, CHIP 0.022uF 10% 25V
C1056	1-135-179-21	s	TANTALUM, CHIP 2.2uF 10% 16V
C1057	1-126-933-11	s	ELECT 100uF 20% 16V
C1059	1-163-037-11	s	CERAMIC, CHIP 0.022uF 10% 25V
C1060	1-163-037-11	s	CERAMIC, CHIP 0.022uF 10% 25V
C1061	1-163-037-11	s	CERAMIC, CHIP 0.022uF 10% 25V
C1063	1-126-933-11	s	ELECT 100uF 20% 16V
C1064	1-126-933-11	s	ELECT 100uF 20% 16V
C1065	1-163-037-11	s	CERAMIC, CHIP 0.022uF 10% 25V
C1066	1-163-037-11	s	CERAMIC, CHIP 0.022uF 10% 25V
C1067	1-163-037-11	s	CERAMIC, CHIP 0.022uF 10% 25V
C1068	1-126-933-11	s	ELECT 100uF 20% 16V
C1069	1-163-037-11	s	CERAMIC, CHIP 0.022uF 10% 25V
C1070	1-126-933-11	s	ELECT 100uF 20% 16V
C1071	1-163-038-00	s	CERAMIC, CHIP 0.1uF 25V (2125)
C1073-1076	1-163-037-11	s	CERAMIC, CHIP 0.022uF 10% 25V
C1078	1-163-037-11	s	CERAMIC, CHIP 0.022uF 10% 25V
C1080	1-163-037-11	s	CERAMIC, CHIP 0.022uF 10% 25V
C1081	1-163-037-11	s	CERAMIC, CHIP 0.022uF 10% 25V
C1082	1-163-235-11	s	CERAMIC, CHIP 22pF 5% 50V (2125)
C1084	1-163-037-11	s	CERAMIC, CHIP 0.022uF 10% 25V
C1086	1-163-037-11	s	CERAMIC, CHIP 0.022uF 10% 25V

Ref. No. or Q'ty	Part No.	SP	Description
C1087	1-163-037-11	s	CERAMIC, CHIP 0.022uF 10% 25V (2125)
C1088	1-163-235-11	s	CERAMIC, CHIP 22pF 5% 50V (2125)
C1089	1-163-037-11	s	CERAMIC, CHIP 0.022uF 10% 25V (2125)
C1090	1-163-251-11	s	CERAMIC, CHIP 100pF 5% 50V (2125)
C1091	1-163-038-00	s	CERAMIC, CHIP 0.1uF 25V (2125)
C1093	1-126-933-11	s	ELECT 100uF 20% 16V
C1094	1-163-038-00	s	CERAMIC, CHIP 0.1uF 25V (2125)
C1096	1-163-037-11	s	CERAMIC, CHIP 0.022uF 10% 25V (2125)
C1098	1-126-933-11	s	ELECT 100uF 20% 16V
C1099	1-163-037-11	s	CERAMIC, CHIP 0.022uF 10% 25V (2125)
C1100	1-163-121-00	s	CERAMIC, CHIP 150pF 5% 50V (2125)
C1101	1-163-037-11	s	CERAMIC, CHIP 0.022uF 10% 25V (2125)
C1102	1-163-038-00	s	CERAMIC, CHIP 0.1uF 25V (2125)
C1103	1-126-933-11	s	ELECT 100uF 20% 16V
C1104	1-163-037-11	s	CERAMIC, CHIP 0.022uF 10% 25V (2125)
C1105	1-163-037-11	s	CERAMIC, CHIP 0.022uF 10% 25V (2125)
C1106	1-163-037-11	s	CERAMIC, CHIP 0.022uF 10% 25V (2125)
C1107	1-126-933-11	s	ELECT 100uF 20% 16V
C1108	1-163-275-11	s	CERAMIC, CHIP 1000pF 5% 50V (2125)
C1109	1-163-037-11	s	CERAMIC, CHIP 0.022uF 10% 25V (2125)
C1110	1-163-037-11	s	CERAMIC, CHIP 0.022uF 10% 25V (2125)
C1111	1-126-964-11	s	ELECT 10uF 20% 50V
C1112	1-163-037-11	s	CERAMIC, CHIP 0.022uF 10% 25V (2125)
C1113	1-163-113-00	s	CERAMIC, CHIP 68pF 5% 50V (2125)
C1114	1-163-125-00	s	CERAMIC, CHIP 220pF 5% 50V (2125)
C1115	1-163-037-11	s	CERAMIC, CHIP 0.022uF 10% 25V (2125)
C1116	1-163-113-00	s	CERAMIC, CHIP 68pF 5% 50V (2125)
C1117-1122	1-163-037-11	s	CERAMIC, CHIP 0.022uF 10% 25V (2125)
C1124	1-163-038-00	s	CERAMIC, CHIP 0.1uF 25V (2125)
C1125	1-163-037-11	s	CERAMIC, CHIP 0.022uF 10% 25V (2125)
C1126	1-126-933-11	s	ELECT 100uF 20% 16V
C1127	1-126-933-11	s	ELECT 100uF 20% 16V
C1128	1-163-037-11	s	CERAMIC, CHIP 0.022uF 10% 25V (2125)
C1129	1-163-038-00	s	CERAMIC, CHIP 0.1uF 25V (2125)
C1130	1-163-037-11	s	CERAMIC, CHIP 0.022uF 10% 25V (2125)
C1132	1-163-037-11	s	CERAMIC, CHIP 0.022uF 10% 25V (2125)
C1133	1-126-933-11	s	ELECT 100uF 20% 16V
C1134-1137	1-163-037-11	s	CERAMIC, CHIP 0.022uF 10% 25V (2125)
C1139	1-163-037-11	s	CERAMIC, CHIP 0.022uF 10% 25V (2125)
C1140	1-163-113-00	s	CERAMIC, CHIP 68pF 5% 50V (2125)
C1141	1-163-037-11	s	CERAMIC, CHIP 0.022uF 10% 25V (2125)
C1143	1-163-125-00	s	CERAMIC, CHIP 220pF 5% 50V (2125)
C1144	1-163-037-11	s	CERAMIC, CHIP 0.022uF 10% 25V (2125)
C1145	1-163-037-11	s	CERAMIC, CHIP 0.022uF 10% 25V (2125)
C1146	1-163-113-00	s	CERAMIC, CHIP 68pF 5% 50V (2125)
C1147	1-163-037-11	s	CERAMIC, CHIP 0.022uF 10% 25V (2125)
C1148	1-163-037-11	s	CERAMIC, CHIP 0.022uF 10% 25V (2125)
C1149	1-163-037-11	s	CERAMIC, CHIP 0.022uF 10% 25V (2125)
C1150	1-164-222-11	s	CERAMIC, CHIP 0.22uF 25V (2125)
C1151	1-163-037-11	s	CERAMIC, CHIP 0.022uF 10% 25V (2125)
C1152	1-163-037-11	s	CERAMIC, CHIP 0.022uF 10% 25V (2125)
C1153	1-135-179-21	s	TANTALUM, CHIP 2.2uF 10% 16V
C1156	1-126-933-11	s	ELECT 100uF 20% 16V
C1157	1-126-933-11	s	ELECT 100uF 20% 16V

-----  
\*4: Board No. suffix 22 of higher

(VPR-1B BOARD for DVW-A510P/CA510P, suffix 21 through 26)

Ref. No. or Q'ty	Part No.	SP Description
C1158-1163	1-163-037-11	s CERAMIC, CHIP 0.022uF 10% 25V
C1164	1-126-964-11	s ELECT 10uF 20% 50V
C1165	1-164-232-11	s CERAMIC, CHIP 0.01uF 10% 100V
C1166-1169	1-126-964-11	s ELECT 10uF 20% 50V
C1170-1173	1-164-232-11	s CERAMIC, CHIP 0.01uF 10% 100V
C1174	1-163-137-00	s CERAMIC, CHIP 680pF 5% 50V
C1175	1-163-251-11	s CERAMIC, CHIP 100pF 5% 50V (2125)
C1176	1-163-251-11	s CERAMIC, CHIP 100pF 5% 50V (2125)
C1177	1-163-037-11	s CERAMIC, CHIP 0.022uF 10% 25V
C1178 *4	1-135-227-11	s TANTALUM, CHIP 100uF 10% 6.3V
	(*1)1-135-179-21	s TANTALUM, CHIP 2.2uF 10% 16V
C1179 *4	1-135-227-11	s TANTALUM, CHIP 100uF 10% 6.3V
	(*1)1-135-179-21	s TANTALUM, CHIP 2.2uF 10% 16V
C1182 *6	1-163-038-00	s CERAMIC, CHIP 0.1uF 25V (2125)
C1183	1-163-037-11	s CERAMIC, CHIP 0.022uF 10% 25V
C1184 *4	1-126-933-11	s ELECT 100uF 20% 16V
C1185 *4	1-163-037-11	s CERAMIC, CHIP 0.022uF 10% 25V
C1186 *4	1-135-161-21	s TANTALUM, CHIP 22uF 10% 10V
C1187 *4	1-135-227-11	s TANTALUM, CHIP 100uF 10% 6.3V
C1188 *4	1-135-227-11	s TANTALUM, CHIP 100uF 10% 6.3V
C1190 *8	1-163-037-11	s CERAMIC, CHIP 0.022uF 10% 25V
C1191 *8	1-163-037-11	s CERAMIC, CHIP 0.022uF 10% 25V
C1192 *c	1-163-037-11	s CERAMIC, CHIP 0.022uF 10% 25V
C1200 *9	1-163-137-00	s CERAMIC, CHIP 680pF 5% 50V (2125)
C1202 *9	1-163-037-11	s CERAMIC, CHIP 0.022uF 10% 25V
C1203 *9	1-163-137-00	s CERAMIC, CHIP 680pF 5% 50V (2125)
C1204 *9	1-163-137-00	s CERAMIC, CHIP 680pF 5% 50V (2125)
C1205 *9	1-163-037-11	s CERAMIC, CHIP 0.022uF 10% 25V
C1225 *9	1-163-037-11	s CERAMIC, CHIP 0.022uF 10% 25V
C1226 *9	1-163-037-11	s CERAMIC, CHIP 0.022uF 10% 25V
CN113	1-573-600-21	s CONNECTOR, PHEC 100P, MALE
CN114	1-573-600-21	s CONNECTOR, PHEC 100P, MALE
CN115	1-573-600-21	s CONNECTOR, PHEC 100P, MALE
CP500	1-760-263-11	s VCO, CRYSTAL 35.468950 MHz
CP1000*b	1-760-268-11	s VCO, CRYSTAL 17.734475 MHz
	*a 1-577-295-11	s VCO, CRYSTAL 17.734475 MHz
CP1001	1-760-274-11	s VCO, CRYSTAL 24.576 MHz
CP1002	1-760-275-11	s VCO, CRYSTAL 27.0 MHz
D603 *4	8-719-023-69	s DIODE SB007T03Q
D604 *4	8-719-023-69	s DIODE SB007T03Q
D605-607	8-719-023-69	s DIODE SB007T03Q
D750	8-719-941-23	s DIODE DA204U
D751 *4	8-719-941-23	s DIODE DA204U
D752-754	8-719-023-69	s DIODE SB007T03Q
D1000	8-719-941-23	s DIODE DA204U
D1002-1005	8-719-941-23	s DIODE DA204U
D1006 *4	8-719-023-69	s DIODE SB007T03Q
	*1 8-719-941-23	s DIODE DA204U

(VPR-1B BOARD for DVW-A510P/CA510P, suffix 21 through 26)

Ref. No. or Q'ty	Part No.	SP Description
D1007 *4	8-719-941-23	s DIODE DA204U
D1009 *4	8-719-023-69	s DIODE SB007T03Q
D1010 *4	8-719-023-69	s DIODE SB007T03Q
D1011 *7	8-719-123-82	s DIODE 1SS303
D1012 *7	8-719-123-82	s DIODE 1SS303
FB306	1-543-644-21	s BEAD, FERRITE, CHIP
FB307	1-543-644-21	s BEAD, FERRITE, CHIP
FB308	1-543-644-21	s BEAD, FERRITE, CHIP
FB500	1-543-309-21	s BEAD, FERRITE
FB501	1-543-309-21	s BEAD, FERRITE
FB502	1-543-622-11	s BEAD, FERRITE, CHIP
FB503	1-543-622-11	s BEAD, FERRITE, CHIP
FB505	1-543-644-21	s BEAD, FERRITE, CHIP
FB506	1-543-644-21	s BEAD, FERRITE, CHIP
FB1000-1003	1-543-309-21	s BEAD, FERRITE
FB1004	*d 1-543-309-21	s BEAD, FERRITE
FB1005	1-543-309-21	s BEAD, FERRITE
FB1006-1010	1-543-644-21	s BEAD, FERRITE, CHIP
FL303-318	1-239-719-31	s FILTER, NOISE, CHIP
FL500-517	1-239-719-31	s FILTER, NOISE, CHIP
FL600-604	1-239-721-11	s FILTER, LOW-PASS
FL1000-1033	1-239-719-31	s FILTER, NOISE, CHIP
IC307	8-759-175-79	s IC CXD8818R
IC314	8-759-440-94	s IC SN74LVT245ANS
IC315	8-759-440-94	s IC SN74LVT245ANS
IC316 *4	8-759-196-93	s IC TC7SH00FH
IC500-503	8-759-440-94	s IC SN74LVT245ANS
IC504	8-759-247-03	s IC CXD8810BQ
IC505	8-759-249-01	s IC CXD8382BQ
IC506	8-752-306-51	s IC CX23065A
IC507	8-759-030-16	s IC MC34182M
IC508	8-759-440-94	s IC SN74LVT245ANS
IC509	8-759-548-77	s IC SN74LV245ANSR
IC510	8-759-548-77	s IC SN74LV245ANSR
IC511	8-759-548-77	s IC SN74LV245ANSR
IC512	8-759-517-31	s IC S-8052ANY-NH
IC600 *4	8-759-052-52	s IC L78M05T-FA
	*1 8-759-234-08	s IC TA78L05F
IC601 *8	8-759-030-16	s IC MC34182M
	*3 8-759-014-29	s IC MC34184M
IC602	8-759-014-29	s IC MC34184M
IC603	8-752-357-63	s IC CXD2308Q
IC604 *4	8-759-822-95	s IC L79M05T-FA
	*1 8-759-045-17	s IC NJM79L05UA

-----  
 \*1: Board No. suffix 21 only  
 \*3: Board No. suffix 21 of 22  
 \*4: Board No. suffix 22 of higher  
 \*6: Board No. suffix 21, 22, of 23  
 \*7: Board No. suffix 22 of 23  
 \*8: Board No. suffix 23 of higher

-----  
 \*9: Board No. suffix 24 of higher  
 \*a: LOT No. 307 through 402  
 \*b: LOT No. 403 of higher  
 \*c: Board No. suffix 25 of higher  
 \*d: Board No. suffix 21, 22, 23 of 24  
 (\*?): Some mounted circuit boards within specified "\*?"

(VPR-1B BOARD for DVW-A510P/CA510P, suffix 21 through 26)

(VPR-1B BOARD for DVW-A510P/CA510P, suffix 21 through 26)

Ref. No. or Q'ty	Part No.	SP	Description
IC605	8-759-907-81	s	IC SN74LS221NS
IC606	8-759-030-16	s	IC MC34182M
IC607	8-759-030-16	s	IC MC34182M
IC608	*4 8-759-082-61	s	IC TC4W53FU
	*1 8-759-300-71	s	IC HD14053BFP
IC609	*4 8-759-052-52	s	IC L78M05T-FA
	*1 8-759-234-08	s	IC TA78L05F
IC610	8-752-357-63	s	IC CXD2308Q
IC611	*4 8-759-822-95	s	IC L79M05T-FA
	*1 8-759-045-17	s	IC NJM79L05UA
IC612	8-759-030-16	s	IC MC34182M
IC613	*4 8-759-082-61	s	IC TC4W53FU
	*1 8-759-300-71	s	IC HD14053BFP
IC614	8-752-052-77	s	IC CXA1450M
IC615	8-759-082-58	s	IC TC7W08FU
IC616	*1 8-759-169-45	s	IC TA78L12F
IC617	*1 8-759-030-61	s	IC TL431CM
IC618	*1 8-759-030-61	s	IC TL431CM
IC619	8-759-030-61	s	IC TL431CM
IC620	*1 8-759-030-61	s	IC TL431CM
IC621	8-759-030-61	s	IC TL431CM
IC622	*1 8-759-169-45	s	IC TA78L12F
IC623	8-759-030-16	s	IC MC34182M
IC624	8-759-030-16	s	IC MC34182M
IC625	*4 8-759-098-16	s	IC LT1227CS8
IC626	*4 8-759-271-04	s	IC LT1252CS8
IC627	*4 8-759-098-16	s	IC LT1227CS8
IC628	*4 8-759-271-04	s	IC LT1252CS8
IC629	*4 8-759-098-16	s	IC LT1227CS8
IC630	*4 8-759-271-04	s	IC LT1252CS8
IC631	*4 8-759-098-16	s	IC LT1227CS8
IC632	*4 8-759-271-04	s	IC LT1252CS8
IC633	*4 8-759-098-16	s	IC LT1227CS8
IC634	*4 8-759-271-04	s	IC LT1252CS8
IC635	*4 8-759-082-61	s	IC TC4W53FU
IC636	*4 8-759-082-61	s	IC TC4W53FU
IC637	*4 8-759-082-61	s	IC TC4W53FU
IC750	8-759-673-45	s	IC MM74HC08SJX
IC751	8-759-052-52	s	IC L78M05T-FA
IC752	8-759-940-45	s	IC S-8054HN-CB-S
IC753	8-759-431-01	s	IC UPD78014GC-763-AB8
IC754	8-759-430-21	s	IC MSM6524GS-KR1
IC756	8-759-082-57	s	IC TC7W04FU
IC757	8-759-269-09	s	IC SN74HCT04ANS
IC758	8-759-277-19	s	IC UPD485505G-35
IC759	8-759-277-19	s	IC UPD485505G-35
IC760	8-759-277-19	s	IC UPD485505G-35
IC761	8-759-440-94	s	IC SN74LVT245ANS
IC762	8-759-269-09	s	IC SN74HCT04ANS
IC1000	8-759-052-52	s	IC L78M05T-FA
IC1001	8-759-045-17	s	IC NJM79L05UA
IC1002	8-759-239-58	s	IC TC74HC221AF
IC1003	*9 8-759-195-02	s	IC TC7S86F
	*6 8-759-195-81	s	IC TC7S86FU
IC1004	8-759-234-08	s	IC TA78L05F

-----

\*1: Board No. suffix 21 only  
 \*4: Board No. suffix 22 of higher  
 \*6: Board No. suffix 21, 22, of 23

Ref. No. or Q'ty	Part No.	SP	Description
IC1006	8-759-014-29	s	IC MC34184M
IC1007	8-759-300-71	s	IC HD14053BFP
IC1008	8-759-926-15	s	IC SN74HC151ANS
IC1009	8-759-907-81	s	IC SN74LS221NS
IC1010	8-759-987-27	s	IC LM1881M
IC1011	8-759-262-03	s	IC MC14577CF
IC1012	8-759-262-03	s	IC MC14577CF
IC1013	8-759-702-08	s	IC NJM360M
IC1014	8-759-045-17	s	IC NJM79L05UA
IC1015	8-759-030-16	s	IC MC34182M
IC1016	8-759-925-05	s	IC LM2903PS
IC1017	8-759-702-08	s	IC NJM360M
IC1018	*4 8-759-234-77	s	IC TC4S66F
IC1019	8-759-175-66	s	IC CXD8817Q
IC1020	8-759-014-29	s	IC MC34184M
IC1021	8-759-907-81	s	IC SN74LS221NS
IC1022	8-759-907-81	s	IC SN74LS221NS
IC1023	8-759-082-57	s	IC TC7W04FU
IC1024	8-759-907-81	s	IC SN74LS221NS
IC1025	8-752-334-64	s	IC CXD1171M
IC1026	8-759-440-94	s	IC SN74LVT245ANS
IC1027	8-752-306-51	s	IC CX23065A
IC1028	8-759-925-05	s	IC LM2903PS
IC1029	8-759-030-16	s	IC MC34182M
IC1030	8-759-702-08	s	IC NJM360M
IC1031	8-752-334-64	s	IC CXD1171M
IC1032	8-759-175-65	s	IC CXD8821Q
IC1033	8-759-702-08	s	IC NJM360M
IC1034	*4 8-759-082-61	s	IC TC4W53FU
	*1 8-759-300-71	s	IC HD14053BFP
IC1035	8-759-986-32	s	IC 74ACT244SJ
IC1036	1041		
	8-759-440-94	s	IC SN74LVT245ANS
IC1042	8-759-987-82	s	IC 74AC00SJ
IC1043	8-759-672-91	s	IC MM74HC163SJX
IC1044	8-759-030-16	s	IC MC34182M
IC1045	*4 8-759-014-29	s	IC MC34184M
	*1 8-759-030-16	s	IC MC34182M
IC1046	8-759-082-57	s	IC TC7W04FU
IC1047	8-759-985-26	s	IC 74AC74SJ
IC1048	*4 8-759-082-57	s	IC TC7W04FU
IC1049	8-759-234-20	s	IC TC7S08F
IC1050	8-759-926-15	s	IC SN74HC151ANS
IC1051	*4 8-759-184-64	s	IC TC4W66FU
	*1 8-759-234-77	s	IC TC4S66F
IC1052	8-759-082-61	s	IC TC4W53FU
IC1053	8-759-035-93	s	IC SC7S32F
IC1054	8-759-234-77	s	IC TC4S66F
IC1057	*8 8-759-985-36	s	IC 74AC157SJ
IC1058	*8 8-759-985-36	s	IC 74AC157SJ
IC1192	*9 8-759-239-58	s	IC TC74HC221AF
IC1193	*9 8-759-239-55	s	IC TC74HC123AF
IC1194	*9 8-759-035-93	s	IC SC7S32F
IC1196	*9 8-759-082-59	s	IC TC7W32FU
IC1197	*9 8-759-082-58	s	IC TC7W08FU

-----

\*8: Board No. suffix 23 of higher  
 \*9: Board No. suffix 24 of higher

(VPR-1B BOARD for DVW-A510P/CA510P, suffix 21 through 26)

Ref. No. or Q'ty	Part No.	SP	Description
IC1198*9	8-759-038-46	s	IC SC7S00F
L309	1-410-803-31	s	INDUCTOR, CHIP 0.047uH
L310	1-410-803-31	s	INDUCTOR, CHIP 0.047uH
L500-503	1-410-803-31	s	INDUCTOR, CHIP 0.047uH
L504	1-410-393-11	s	INDUCTOR, CHIP 100uH
L505-507	1-410-803-31	s	INDUCTOR, CHIP 0.047uH
L508	*4 1-410-393-11	s	INDUCTOR, CHIP 100uH
L509	*4 1-410-393-11	s	INDUCTOR, CHIP 100uH
L600	*4 1-412-164-11	s	INDUCTOR, CHIP 0.12uH
	*1 1-412-139-11	s	INDUCTOR, CHIP 0.22uH
L601	*4 1-412-193-11	s	INDUCTOR, CHIP 68uH
	*1 1-412-192-11	s	INDUCTOR, CHIP 56uH
L603	*4 1-412-191-11	s	INDUCTOR, CHIP 47uH
	*1 1-412-194-11	s	INDUCTOR, CHIP 82uH
L605	*4 1-412-191-11	s	INDUCTOR, CHIP 47uH
	*1 1-412-194-11	s	INDUCTOR, CHIP 82uH
L606	*4 1-412-164-11	s	INDUCTOR, CHIP 0.12uH
	*1 1-412-139-11	s	INDUCTOR, CHIP 0.22uH
L607	*4 1-412-193-11	s	INDUCTOR, CHIP 68uH
	*1 1-412-192-11	s	INDUCTOR, CHIP 56uH
L608	*4 1-412-164-11	s	INDUCTOR, CHIP 0.12uH
	*1 1-412-139-11	s	INDUCTOR, CHIP 0.22uH
L609	*4 1-412-193-11	s	INDUCTOR, CHIP 68uH
	*1 1-412-192-11	s	INDUCTOR, CHIP 56uH
L610	1-412-137-11	s	INDUCTOR, CHIP 10uH
L611	1-412-137-11	s	INDUCTOR, CHIP 10uH
L616	1-410-387-11	s	INDUCTOR, CHIP 33uH
L750	1-412-526-11	s	INDUCTOR 12uH
L751	*1 1-412-526-11	s	INDUCTOR 12uH
L752	1-412-526-11	s	INDUCTOR 12uH
L753	*1 1-412-526-11	s	INDUCTOR 12uH
L754	1-412-526-11	s	INDUCTOR 12uH
L755	1-412-526-11	s	INDUCTOR 12uH
L756	*1 1-412-526-11	s	INDUCTOR 12uH
L757	1-412-526-11	s	INDUCTOR 12uH
L1000	1-412-138-11	s	INDUCTOR, CHIP 100uH
L1003	1-410-393-11	s	INDUCTOR, CHIP 100uH
L1004	1-410-393-11	s	INDUCTOR, CHIP 100uH
L1005	1-410-393-11	s	INDUCTOR, CHIP 100uH
L1007	1-412-143-11	s	INDUCTOR, CHIP 39uH
L1008	1-412-188-11	s	INDUCTOR, CHIP 22uH
L1010	1-410-393-11	s	INDUCTOR, CHIP 100uH
L1011	*4 1-410-393-11	s	INDUCTOR, CHIP 100uH
L1012	1-412-137-11	s	INDUCTOR, CHIP 10uH
L1013	1-412-137-11	s	INDUCTOR, CHIP 10uH
L1014	1-410-393-11	s	INDUCTOR, CHIP 100uH
L1016-1019	1-412-191-11	s	INDUCTOR, CHIP 47uH
L1020-1024	1-410-803-31	s	INDUCTOR, CHIP 0.047uH
PS100	△ 1-533-348-11	s	LINK, IC, CHIP 4A

-----  
 \*1: Board No. suffix 21 only  
 \*4: Board No. suffix 22 of higher  
 \*7: Board No. suffix 22 of 23

(VPR-1B BOARD for DVW-A510P/CA510P, suffix 21 through 26)

Ref. No. or Q'ty	Part No.	SP	Description
Q600	8-729-140-63	s	TRANSISTOR 2SA1611-M5M6
Q601	*4 8-729-117-32	s	TRANSISTOR 2SC4177-L6
	*1 8-729-140-63	s	TRANSISTOR 2SA1611-M5M6
Q602	8-729-140-63	s	TRANSISTOR 2SA1611-M5M6
Q603	*4 8-729-117-32	s	TRANSISTOR 2SC4177-L6
	*1 8-729-140-63	s	TRANSISTOR 2SA1611-M5M6
Q604	8-729-140-63	s	TRANSISTOR 2SA1611-M5M6
Q605	*4 8-729-117-32	s	TRANSISTOR 2SC4177-L6
	*1 8-729-140-63	s	TRANSISTOR 2SA1611-M5M6
Q606	8-729-140-63	s	TRANSISTOR 2SA1611-M5M6
Q607	*4 8-729-117-32	s	TRANSISTOR 2SC4177-L6
	*1 8-729-140-63	s	TRANSISTOR 2SA1611-M5M6
Q608	8-729-140-63	s	TRANSISTOR 2SA1611-M5M6
Q609	*4 8-729-117-32	s	TRANSISTOR 2SC4177-L6
	*1 8-729-140-63	s	TRANSISTOR 2SA1611-M5M6
Q610-619	*1 8-729-140-63	s	TRANSISTOR 2SA1611-M5M6
Q620	8-729-117-32	s	TRANSISTOR 2SC4177-L6
Q750	8-729-140-63	s	TRANSISTOR 2SA1611-M5M6
Q1000	8-729-140-63	s	TRANSISTOR 2SA1611-M5M6
Q1001	8-729-140-63	s	TRANSISTOR 2SA1611-M5M6
Q1002	8-729-143-07	s	TRANSISTOR 2SA1610-Y33
Q1003	8-729-143-07	s	TRANSISTOR 2SA1610-Y33
Q1004	8-729-140-63	s	TRANSISTOR 2SA1611-M5M6
Q1005	8-729-140-63	s	TRANSISTOR 2SA1611-M5M6
Q1006	8-729-140-63	s	TRANSISTOR 2SA1611-M5M6
Q1008	*4 8-729-117-32	s	TRANSISTOR 2SC4177-L6
Q1009	*4 8-729-140-63	s	TRANSISTOR 2SA1611-M5M6
Q1010	*4 8-729-117-32	s	TRANSISTOR 2SC4177-L6
Q1011	*4 8-729-117-32	s	TRANSISTOR 2SC4177-L6
	*1 8-729-907-26	s	TRANSISTOR IMX1
Q1012	8-729-117-32	s	TRANSISTOR 2SC4177-L6
Q1013	*7 8-729-905-12	s	TRANSISTOR DTA144EU
R354	1-216-295-00	s	METAL, CHIP 0 (2125)
R406	1-216-295-00	s	METAL, CHIP 0 (2125)
R407	1-216-049-00	s	METAL, CHIP 1.0K 5% 1/10W (2125)
R408	*4 1-216-655-11	s	METAL, CHIP 1.5K 0.5% 1/10W (2125)
R409	1-216-049-00	s	METAL, CHIP 1.0K 5% 1/10W (2125)
R493	*8 1-216-025-00	s	METAL, CHIP 100 5% 1/10W (2125)
	*3 1-216-295-00	s	METAL, CHIP 0 (2125)
R500	1-216-295-00	s	METAL, CHIP 0 (2125)
R501	1-216-295-00	s	METAL, CHIP 0 (2125)
R502	1-216-295-00	s	METAL, CHIP 0 (2125)
R503	*4 1-216-017-00	s	METAL, CHIP 47 5% 1/10W (2125)
	*1 1-216-295-00	s	METAL, CHIP 0 (2125)
R504	*4 1-216-295-00	s	METAL, CHIP 0 (2125)
	*1 1-216-295-00	s	METAL, CHIP 0 (2125)
R505	*4 1-216-295-00	s	METAL, CHIP 0 (2125)
R517	*9 1-216-295-00	s	METAL, CHIP 0 (2125)
R521	*9 1-216-295-00	s	METAL, CHIP 0 (2125)
R524	*9 1-216-295-00	s	METAL, CHIP 0 (2125)
R527	*4 1-216-689-11	s	METAL, CHIP 39K 0.5% 1/10W (2125)

-----  
 \*8: Board No. suffix 23 of higher  
 \*9: Board No. suffix 24 of higher

(VPR-1B BOARD for DVW-A510P/CA510P, suffix 21 through 26)

(VPR-1B BOARD for DVW-A510P/CA510P, suffix 21 through 26)

Ref. No. or Q'ty	Part No.	SP	Description
R528	*4 1-208-784-11	s	METAL, CHIP 1.2K 0.5% 1/10W
R529	*4 1-208-784-11	s	METAL, CHIP 1.2K 0.5% 1/10W
R530	*4 1-216-667-11	s	METAL, CHIP 4.7K 0.5% 1/10W
R531	*4 1-216-631-11	s	METAL, CHIP 150 0.5% 1/10W (2125)
R532	*4 1-208-785-11	s	METAL, CHIP 1.3K 0.5% 1/10W
R533	*4 1-208-789-11	s	METAL, CHIP 2.0K 0.5% 1/10W
R534	*4 1-216-649-11	s	METAL, CHIP 820 0.5% 1/10W (2125)
R535	*4 1-208-784-11	s	METAL, CHIP 1.2K 0.5% 1/10W
R536	*4 1-216-657-11	s	METAL, CHIP 1.8K 0.5% 1/10W
R537	*4 1-216-689-11	s	METAL, CHIP 39K 0.5% 1/10W (2125)
R538	*4 1-216-667-11	s	METAL, CHIP 4.7K 0.5% 1/10W
R539	*4 1-216-631-11	s	METAL, CHIP 150 0.5% 1/10W (2125)
R540	*4 1-208-785-11	s	METAL, CHIP 1.3K 0.5% 1/10W
R541	*4 1-216-649-11	s	METAL, CHIP 820 0.5% 1/10W (2125)
R542	*4 1-208-784-11	s	METAL, CHIP 1.2K 0.5% 1/10W
R543	1-216-295-00	s	METAL, CHIP 0 (2125)
R545	1-216-017-00	s	METAL, CHIP 47 5% 1/10W (2125)
R546	1-216-017-00	s	METAL, CHIP 47 5% 1/10W (2125)
R548	1-216-017-00	s	METAL, CHIP 47 5% 1/10W (2125)
R549	1-216-017-00	s	METAL, CHIP 47 5% 1/10W (2125)
R550	*4 1-216-295-00	s	METAL, CHIP 0 (2125)
	*1 1-216-073-00	s	METAL, CHIP 10K 5% 1/10W (2125)
R553	*4 1-216-295-00	s	METAL, CHIP 0 (2125)
	*1 1-216-073-00	s	METAL, CHIP 10K 5% 1/10W (2125)
R554	1-216-017-00	s	METAL, CHIP 47 5% 1/10W (2125)
R557-560	1-216-017-00	s	METAL, CHIP 47 5% 1/10W (2125)
R561	1-216-667-11	s	METAL, CHIP 4.7K 0.5% 1/10W
R562	1-216-073-00	s	METAL, CHIP 10K 5% 1/10W (2125)
R563	1-216-073-00	s	METAL, CHIP 10K 5% 1/10W (2125)
R564	*8 1-216-073-00	s	METAL, CHIP 10K 5% 1/10W (2125)
	*3 1-216-651-11	s	METAL, CHIP 1.0K 0.5% 1/10W
R565	1-216-121-00	s	METAL, CHIP 1.0M 5% 1/10W (2125)
R566	1-216-025-00	s	METAL, CHIP 100 5% 1/10W (2125)
R567	1-216-295-00	s	METAL, CHIP 0 (2125)
R568	1-216-049-00	s	METAL, CHIP 1.0K 5% 1/10W (2125)
R569	1-216-049-00	s	METAL, CHIP 1.0K 5% 1/10W (2125)
R570	1-216-025-00	s	METAL, CHIP 100 5% 1/10W (2125)
R571	1-216-025-00	s	METAL, CHIP 100 5% 1/10W (2125)
R572	*4 1-216-667-11	s	METAL, CHIP 4.7K 0.5% 1/10W
R573	*4 1-216-631-11	s	METAL, CHIP 150 0.5% 1/10W
R574	*4 1-208-785-11	s	METAL, CHIP 1.3K 0.5% 1/10W
R575	*4 1-208-789-11	s	METAL, CHIP 2.0K 0.5% 1/10W
R576	*4 1-216-649-11	s	METAL, CHIP 820 0.5% 1/10W (2125)
R577	*4 1-208-784-11	s	METAL, CHIP 1.2K 0.5% 1/10W
R578	*4 1-216-689-11	s	METAL, CHIP 39K 0.5% 1/10W (2125)
R579	*4 1-216-667-11	s	METAL, CHIP 4.7K 0.5% 1/10W
R580	*4 1-216-631-11	s	METAL, CHIP 150 0.5% 1/10W (2125)
R581	*4 1-208-785-11	s	METAL, CHIP 1.3K 0.5% 1/10W
R582	*4 1-208-789-11	s	METAL, CHIP 2.0K 0.5% 1/10W
R583	*4 1-216-649-11	s	METAL, CHIP 820 0.5% 1/10W (2125)
R584	1-216-073-00	s	METAL, CHIP 10K 5% 1/10W (2125)
R585	*4 1-208-784-11	s	METAL, CHIP 1.2K 0.5% 1/10W
R586	*4 1-208-817-11	s	METAL, CHIP 30K 0.5% 1/10W
R587	*4 1-216-667-11	s	METAL, CHIP 4.7K 0.5% 1/10W
R588	*4 1-216-631-11	s	METAL, CHIP 150 0.5% 1/10W (2125)

-----  
 \*1: Board No. suffix 21 only  
 \*3: Board No. suffix 21 of 22

Ref. No. or Q'ty	Part No.	SP	Description
R589	*4 1-208-785-11	s	METAL, CHIP 1.3K 0.5% 1/10W (2125)
R590	*4 1-216-649-11	s	METAL, CHIP 820 0.5% 1/10W (2125)
R591	*4 1-208-784-11	s	METAL, CHIP 1.2K 0.5% 1/10W (2125)
R592	*4 1-208-789-11	s	METAL, CHIP 2.0K 0.5% 1/10W (2125)
R593	*4 1-216-073-00	s	METAL, CHIP 10K 5% 1/10W (2125)
R597	*4 1-216-657-11	s	METAL, CHIP 1.8K 0.5% 1/10W (2125)
	*1 1-216-057-00	s	METAL, CHIP 2.2K 5% 1/10W (2125)
R598	*4 1-208-789-11	s	METAL, CHIP 2.0K 0.5% 1/10W (2125)
	*1 1-216-057-00	s	METAL, CHIP 2.2K 5% 1/10W (2125)
R600	*4 1-208-784-11	s	METAL, CHIP 1.2K 0.5% 1/10W (2125)
	*1 1-216-659-11	s	METAL, CHIP 2.2K 0.5% 1/10W (2125)
R601	*4 1-208-784-11	s	METAL, CHIP 1.2K 0.5% 1/10W (2125)
	*1 1-216-661-11	s	METAL, CHIP 2.7K 0.5% 1/10W (2125)
R602	*4 1-208-784-11	s	METAL, CHIP 1.2K 0.5% 1/10W (2125)
	*1 1-216-659-11	s	METAL, CHIP 2.2K 0.5% 1/10W (2125)
R603-605			
	*4 1-208-784-11	s	METAL, CHIP 1.2K 0.5% 1/10W (2125)
	*1 1-216-661-11	s	METAL, CHIP 2.7K 0.5% 1/10W (2125)
R606	*8 1-216-675-11	s	METAL, CHIP 10K 0.5% 1/10W (2125)
	*3 1-216-671-11	s	METAL, CHIP 6.8K 0.5% 1/10W (2125)
R607	*3 1-216-663-11	s	METAL, CHIP 3.3K 0.5% 1/10W (2125)
R608	*3 1-216-663-11	s	METAL, CHIP 3.3K 0.5% 1/10W (2125)
R609	*8 1-216-675-11	s	METAL, CHIP 10K 0.5% 1/10W (2125)
	*3 1-216-671-11	s	METAL, CHIP 6.8K 0.5% 1/10W (2125)
R610	*8 1-216-651-11	s	METAL, CHIP 1.0K 0.5% 1/10W (2125)
	*3 1-216-659-11	s	METAL, CHIP 2.2K 0.5% 1/10W (2125)
R611	*3 1-216-661-11	s	METAL, CHIP 2.7K 0.5% 1/10W (2125)
R612	*8 1-216-675-11	s	METAL, CHIP 10K 0.5% 1/10W (2125)
	*3 1-216-671-11	s	METAL, CHIP 6.8K 0.5% 1/10W (2125)
R613	*3 1-216-661-11	s	METAL, CHIP 2.7K 0.5% 1/10W (2125)
R614	*3 1-216-663-11	s	METAL, CHIP 3.3K 0.5% 1/10W (2125)
R615	1-216-657-11	s	METAL, CHIP 1.8K 0.5% 1/10W (2125)
R616	1-208-784-11	s	METAL, CHIP 1.2K 0.5% 1/10W (2125)
R617	1-216-657-11	s	METAL, CHIP 1.8K 0.5% 1/10W (2125)
R618	*4 1-216-651-11	s	METAL, CHIP 1.0K 0.5% 1/10W (2125)
	*1 1-216-057-00	s	METAL, CHIP 2.2K 5% 1/10W (2125)
R619	*4 1-216-617-11	s	METAL, CHIP 39 0.5% 1/10W (2125)
	*1 1-216-631-11	s	METAL, CHIP 150 0.5% 1/10W (2125)
R620-622	1-216-631-11	s	METAL, CHIP 150 0.5% 1/10W (2125)
R623	*4 1-216-603-11	s	METAL, CHIP 10 0.5% 1/10W (2125)
	*1 1-216-607-11	s	METAL, CHIP 15 0.5% 1/10W (2125)
R624	*4 1-216-613-11	s	METAL, CHIP 27 0.5% 1/10W (2125)
	*1 1-216-608-11	s	METAL, CHIP 16 0.5% 1/10W (2125)
R625	*4 1-216-661-11	s	METAL, CHIP 2.7K 0.5% 1/10W (2125)
	*1 1-208-789-11	s	METAL, CHIP 2.0K 0.5% 1/10W (2125)
R626	*4 1-216-049-00	s	METAL, CHIP 1.0K 5% 1/10W (2125)
	*1 1-216-647-11	s	METAL, CHIP 680 0.5% 1/10W (2125)
R627	*4 1-216-666-11	s	METAL, CHIP 4.3K 0.5% 1/10W (2125)
	*1 1-216-647-11	s	METAL, CHIP 680 0.5% 1/10W (2125)

-----  
 \*4: Board No. suffix 22 of higher  
 \*8: Board No. suffix 23 of higher

(VPR-1B BOARD for DVW-A510P/CA510P, suffix 21 through 26)

Ref. No. or Q'ty	Part No.	SP Description
R628	*4 1-208-801-11	s METAL, CHIP 6.2K 0.5% 1/10W
	*1 1-216-667-11	s METAL, CHIP 4.7K 0.5% 1/10W
R629	1-216-685-11	s METAL, CHIP 27K 0.5% 1/10W (2125)
R630	*4 1-216-625-11	s METAL, CHIP 82 0.5% 1/10W (2125)
	*1 1-216-675-11	s METAL, CHIP 10K 0.5% 1/10W
R631	*4 1-216-295-00	s METAL, CHIP 0 (2125)
	*1 1-216-057-00	s METAL, CHIP 2.2K 5% 1/10W (2125)
R632	*4 1-216-651-11	s METAL, CHIP 1.0K 0.5% 1/10W
	*1 1-216-057-00	s METAL, CHIP 2.2K 5% 1/10W (2125)
R633	*4 1-216-617-11	s METAL, CHIP 39 0.5% 1/10W (2125)
	*1 1-216-631-11	s METAL, CHIP 150 0.5% 1/10W
R634-636	1-216-631-11	s METAL, CHIP 150 0.5% 1/10W (2125)
R637	*4 1-216-603-11	s METAL, CHIP 10 0.5% 1/10W (2125)
	*1 1-216-607-11	s METAL, CHIP 15 0.5% 1/10W (2125)
R638	*4 1-216-049-00	s METAL, CHIP 1.0K 5% 1/10W (2125)
	*1 1-216-635-11	s METAL, CHIP 220 0.5% 1/10W (2125)
R639	*4 1-208-789-11	s METAL, CHIP 2.0K 0.5% 1/10W
	*1 1-216-661-11	s METAL, CHIP 2.7K 0.5% 1/10W
R640	*4 1-208-801-11	s METAL, CHIP 6.2K 0.5% 1/10W
	*1 1-216-647-11	s METAL, CHIP 680 0.5% 1/10W (2125)
R641	*4 1-216-666-11	s METAL, CHIP 4.3K 0.5% 1/10W
	*1 1-216-647-11	s METAL, CHIP 680 0.5% 1/10W (2125)
R642	*4 1-216-679-11	s METAL, CHIP 15K 0.5% 1/10W (2125)
R643-645	*4 1-216-133-00	s METAL, CHIP 3.3M 5% 1/10W (2125)
	*1 1-216-113-00	s METAL, CHIP 470K 5% 1/10W (2125)
R646	1-216-049-00	s METAL, CHIP 1.0K 5% 1/10W (2125)
R647-649	*4 1-216-069-00	s METAL, CHIP 6.8K 5% 1/10W (2125)
	*1 1-216-049-00	s METAL, CHIP 1.0K 5% 1/10W (2125)
R650	1-216-049-00	s METAL, CHIP 1.0K 5% 1/10W (2125)
R651	1-216-049-00	s METAL, CHIP 1.0K 5% 1/10W (2125)
R652	*4 1-216-049-00	s METAL, CHIP 1.0K 5% 1/10W (2125)
R652A	*1 1-214-557-00	s METAL 1.0K 1% 1/8W
R653	1-216-049-00	s METAL, CHIP 1.0K 5% 1/10W (2125)
R654	1-216-049-00	s METAL, CHIP 1.0K 5% 1/10W (2125)
R655	*4 1-216-625-11	s METAL, CHIP 82 0.5% 1/10W (2125)
	*1 1-216-667-11	s METAL, CHIP 4.7K 0.5% 1/10W
R656	*4 1-216-295-00	s METAL, CHIP 0 (2125)
	*1 1-216-675-11	s METAL, CHIP 10K 0.5% 1/10W
R657	*1 1-216-057-00	s METAL, CHIP 2.2K 5% 1/10W (2125)
R658	*4 1-216-651-11	s METAL, CHIP 1.0K 0.5% 1/10W
	*1 1-216-659-11	s METAL, CHIP 2.2K 0.5% 1/10W
R659	*4 1-216-617-11	s METAL, CHIP 39 0.5% 1/10W (2125)
	*1 1-216-631-11	s METAL, CHIP 150 0.5% 1/10W
R660	1-216-631-11	s METAL, CHIP 150 0.5% 1/10W (2125)
R661-663	1-216-017-00	s METAL, CHIP 47 5% 1/10W (2125)
R664	*4 1-216-619-11	s METAL, CHIP 47 0.5% 1/10W (2125)
	*1 1-216-295-00	s METAL, CHIP 0 (2125)

-----  
 \*1: Board No. suffix 21 only  
 \*2: Board No. suffix 22 only  
 \*3: Board No. suffix 21 of 22

(VPR-1B BOARD for DVW-A510P/CA510P, suffix 21 through 26)

Ref. No. or Q'ty	Part No.	SP Description
R665	*4 1-216-619-11	s METAL, CHIP 47 0.5% 1/10W (2125)
	*1 1-216-615-11	s METAL, CHIP 33 0.5% 1/10W (2125)
R666	*4 1-216-619-11	s METAL, CHIP 47 0.5% 1/10W (2125)
	*1 1-216-615-11	s METAL, CHIP 33 0.5% 1/10W (2125)
R667	*4 1-208-784-11	s METAL, CHIP 1.2K 0.5% 1/10W (2125)
	*1 1-216-659-11	s METAL, CHIP 2.2K 0.5% 1/10W (2125)
R668	*4 1-208-784-11	s METAL, CHIP 1.2K 0.5% 1/10W (2125)
	*1 1-216-661-11	s METAL, CHIP 2.7K 0.5% 1/10W (2125)
R669	*8 1-216-651-11	s METAL, CHIP 1.0K 0.5% 1/10W (2125)
	*3 1-216-659-11	s METAL, CHIP 2.2K 0.5% 1/10W (2125)
R670	*3 1-216-661-11	s METAL, CHIP 2.7K 0.5% 1/10W (2125)
R671	*4 1-216-689-11	s METAL, CHIP 39K 0.5% 1/10W (2125)
	*1 1-216-661-11	s METAL, CHIP 2.7K 0.5% 1/10W (2125)
R672	*3 1-216-661-11	s METAL, CHIP 2.7K 0.5% 1/10W (2125)
R673	*8 1-216-675-11	s METAL, CHIP 10K 0.5% 1/10W (2125)
	*3 1-218-772-11	s METAL, CHIP 680K 0.5% 1/10W (2125)
R674	*8 1-216-675-11	s METAL, CHIP 10K 0.5% 1/10W (2125)
	*3 1-218-772-11	s METAL, CHIP 680K 0.5% 1/10W (2125)
R675	*2 1-218-764-11	s METAL, CHIP 330K 0.5% 1/10W (2125)
	*1 1-216-663-11	s METAL, CHIP 3.3K 0.5% 1/10W (2125)
R676	*2 1-218-764-11	s METAL, CHIP 330K 0.5% 1/10W (2125)
	*1 1-216-663-11	s METAL, CHIP 3.3K 0.5% 1/10W (2125)
R677	1-216-665-11	s METAL, CHIP 3.9K 0.5% 1/10W (2125)
R678-681	1-208-784-11	s METAL, CHIP 1.2K 0.5% 1/10W (2125)
R682	1-216-631-11	s METAL, CHIP 150 0.5% 1/10W (2125)
R683	1-216-631-11	s METAL, CHIP 150 0.5% 1/10W (2125)
R684	*4 1-216-603-11	s METAL, CHIP 10 0.5% 1/10W (2125)
	*1 1-216-607-11	s METAL, CHIP 15 0.5% 1/10W (2125)
R685	*4 1-216-049-00	s METAL, CHIP 1.0K 5% 1/10W (2125)
	*1 1-216-635-11	s METAL, CHIP 220 0.5% 1/10W (2125)
R686	*4 1-208-789-11	s METAL, CHIP 2.0K 0.5% 1/10W (2125)
	*1 1-216-661-11	s METAL, CHIP 2.7K 0.5% 1/10W (2125)
R687	*4 1-208-801-11	s METAL, CHIP 6.2K 0.5% 1/10W (2125)
	*1 1-216-647-11	s METAL, CHIP 680 0.5% 1/10W (2125)
R688	*4 1-216-666-11	s METAL, CHIP 4.3K 0.5% 1/10W (2125)
	*1 1-216-647-11	s METAL, CHIP 680 0.5% 1/10W (2125)
R689	*4 1-216-625-11	s METAL, CHIP 82 0.5% 1/10W (2125)
	*1 1-216-667-11	s METAL, CHIP 4.7K 0.5% 1/10W (2125)
R690	*4 1-216-295-00	s METAL, CHIP 0 (2125)
	*1 1-216-675-11	s METAL, CHIP 10K 0.5% 1/10W (2125)
R691	*1 1-216-057-00	s METAL, CHIP 2.2K 5% 1/10W (2125)
R692	*4 1-216-651-11	s METAL, CHIP 1.0K 0.5% 1/10W (2125)
	*1 1-216-659-11	s METAL, CHIP 2.2K 0.5% 1/10W (2125)
R693	*4 1-216-617-11	s METAL, CHIP 39 0.5% 1/10W (2125)
	*1 1-216-631-11	s METAL, CHIP 150 0.5% 1/10W (2125)
R694-696	1-216-631-11	s METAL, CHIP 150 0.5% 1/10W (2125)
R697	*4 1-216-603-11	s METAL, CHIP 10 0.5% 1/10W (2125)
	*1 1-216-607-11	s METAL, CHIP 15 0.5% 1/10W (2125)

-----  
 \*4: Board No. suffix 22 of higher  
 \*8: Board No. suffix 23 of higher

(VPR-1B BOARD for DVW-A510P/CA510P, suffix 21 through 26)

(VPR-1B BOARD for DVW-A510P/CA510P, suffix 21 through 26)

Ref. No. or Q'ty	Part No.	SP	Description
R698	*4 1-216-613-11	s	METAL, CHIP 27 0.5% 1/10W (2125)
	*1 1-216-608-11	s	METAL, CHIP 16 0.5% 1/10W (2125)
R699	*4 1-216-661-11	s	METAL, CHIP 2.7K 0.5% 1/10W
	*1 1-208-789-11	s	METAL, CHIP 2.0K 0.5% 1/10W
R700	*4 1-216-049-00	s	METAL, CHIP 1.0K 5% 1/10W (2125)
	*1 1-216-647-11	s	METAL, CHIP 680 0.5% 1/10W (2125)
R701	*4 1-208-801-11	s	METAL, CHIP 6.2K 0.5% 1/10W
	*1 1-216-647-11	s	METAL, CHIP 680 0.5% 1/10W (2125)
R702	*4 1-216-666-11	s	METAL, CHIP 4.3K 0.5% 1/10W
	*1 1-216-667-11	s	METAL, CHIP 4.7K 0.5% 1/10W
R703	*4 1-216-619-11	s	METAL, CHIP 47 0.5% 1/10W (2125)
	*1 1-216-675-11	s	METAL, CHIP 10K 0.5% 1/10W (2125)
R704	1-216-635-11	s	METAL, CHIP 220 0.5% 1/10W (2125)
R705	*4 1-216-133-00	s	METAL, CHIP 3.3M 5% 1/10W (2125)
	*1 1-216-113-00	s	METAL, CHIP 470K 5% 1/10W (2125)
R706	*4 1-216-133-00	s	METAL, CHIP 3.3M 5% 1/10W (2125)
	*1 1-216-113-00	s	METAL, CHIP 470K 5% 1/10W (2125)
R707	*4 1-216-616-11	s	METAL, CHIP 36 0.5% 1/10W (2125)
	*1 1-216-057-00	s	METAL, CHIP 2.2K 5% 1/10W (2125)
R708	1-216-049-00	s	METAL, CHIP 1.0K 5% 1/10W (2125)
R709	*4 1-216-069-00	s	METAL, CHIP 6.8K 5% 1/10W (2125)
	*1 1-216-049-00	s	METAL, CHIP 1.0K 5% 1/10W (2125)
R710	*4 1-216-069-00	s	METAL, CHIP 6.8K 5% 1/10W (2125)
	*1 1-216-049-00	s	METAL, CHIP 1.0K 5% 1/10W (2125)
R711	1-216-049-00	s	METAL, CHIP 1.0K 5% 1/10W (2125)
R712	1-216-065-00	s	METAL, CHIP 4.7K 5% 1/10W (2125)
R713	1-216-025-00	s	METAL, CHIP 100 5% 1/10W (2125)
R714	1-208-784-11	s	METAL, CHIP 1.2K 0.5% 1/10W
R715	1-216-667-11	s	METAL, CHIP 4.7K 0.5% 1/10W
R716	1-216-049-00	s	METAL, CHIP 1.0K 5% 1/10W (2125)
R717	1-216-651-11	s	METAL, CHIP 1.0K 0.5% 1/10W
R718	*4 1-216-049-00	s	METAL, CHIP 1.0K 5% 1/10W (2125)
R718A	*1 1-214-557-00	s	METAL 1.0K 1% 1/8W
R719	*4 1-216-651-11	s	METAL, CHIP 1.0K 0.5% 1/10W
	*1 1-216-659-11	s	METAL, CHIP 2.2K 0.5% 1/10W
R720	*4 1-216-617-11	s	METAL, CHIP 39 0.5% 1/10W (2125)
	*1 1-216-631-11	s	METAL, CHIP 150 0.5% 1/10W (2125)
R721	1-216-663-11	s	METAL, CHIP 3.3K 0.5% 1/10W
R722	1-216-049-00	s	METAL, CHIP 1.0K 5% 1/10W (2125)
R723	1-216-017-00	s	METAL, CHIP 47 5% 1/10W (2125)
R724	*4 1-216-619-11	s	METAL, CHIP 47 0.5% 1/10W (2125)
	*1 1-216-295-00	s	METAL, CHIP 0 (2125)
R725	1-216-049-00	s	METAL, CHIP 1.0K 5% 1/10W (2125)
R726	1-216-049-00	s	METAL, CHIP 1.0K 5% 1/10W (2125)
R727	1-216-631-11	s	METAL, CHIP 150 0.5% 1/10W (2125)
R728	*4 1-216-650-11	s	METAL, CHIP 910 0.5% 1/10W
	*1 1-216-635-11	s	METAL, CHIP 220 0.5% 1/10W (2125)
R729	1-216-049-00	s	METAL, CHIP 1.0K 5% 1/10W (2125)
R730	1-216-049-00	s	METAL, CHIP 1.0K 5% 1/10W (2125)
R731	1-216-081-00	s	METAL, CHIP 22K 5% 1/10W (2125)
R732	*4 1-216-017-00	s	METAL, CHIP 47 5% 1/10W (2125)
	*1 1-216-619-11	s	METAL, CHIP 47 0.5% 1/10W (2125)

-----  
 \*1: Board No. suffix 21 only  
 \*4: Board No. suffix 22 of higher

Ref. No. or Q'ty	Part No.	SP	Description
R733	*4 1-216-619-11	s	METAL, CHIP 47 0.5% 1/10W (2125)
	*1 1-216-295-00	s	METAL, CHIP 0 (2125)
R734	1-216-081-00	s	METAL, CHIP 22K 5% 1/10W (2125)
R735-740	1-216-025-00	s	METAL, CHIP 100 5% 1/10W (2125)
R742	1-216-049-00	s	METAL, CHIP 1.0K 5% 1/10W (2125)
R743	1-216-631-11	s	METAL, CHIP 150 0.5% 1/10W (2125)
R744	1-216-631-11	s	METAL, CHIP 150 0.5% 1/10W (2125)
R745	*4 1-216-603-11	s	METAL, CHIP 10 0.5% 1/10W (2125)
	*1 1-216-607-11	s	METAL, CHIP 15 0.5% 1/10W (2125)
R746	*4 1-216-613-11	s	METAL, CHIP 27 0.5% 1/10W (2125)
	*1 1-216-627-11	s	METAL, CHIP 100 0.5% 1/10W (2125)
R747	*4 1-216-661-11	s	METAL, CHIP 2.7K 0.5% 1/10W (2125)
	*1 1-208-789-11	s	METAL, CHIP 2.0K 0.5% 1/10W (2125)
R748	*4 1-216-666-11	s	METAL, CHIP 4.3K 0.5% 1/10W (2125)
	*1 1-216-647-11	s	METAL, CHIP 680 0.5% 1/10W (2125)
R749	*4 1-208-801-11	s	METAL, CHIP 6.2K 0.5% 1/10W (2125)
	*1 1-216-647-11	s	METAL, CHIP 680 0.5% 1/10W (2125)
R750	1-216-065-00	s	METAL, CHIP 4.7K 5% 1/10W (2125)
R751	1-216-073-00	s	METAL, CHIP 10K 5% 1/10W (2125)
R752	1-216-097-00	s	METAL, CHIP 100K 5% 1/10W (2125)
R753	1-216-073-00	s	METAL, CHIP 10K 5% 1/10W (2125)
R754	1-216-295-00	s	METAL, CHIP 0 (2125)
R756	*4 1-216-049-00	s	METAL, CHIP 1.0K 5% 1/10W (2125)
	*1 1-216-635-11	s	METAL, CHIP 220 0.5% 1/10W (2125)
R757-759	1-216-073-00	s	METAL, CHIP 10K 5% 1/10W (2125)
R760	1-216-295-00	s	METAL, CHIP 0 (2125)
R761	1-216-073-00	s	METAL, CHIP 10K 5% 1/10W (2125)
R762	1-216-073-00	s	METAL, CHIP 10K 5% 1/10W (2125)
R763	1-216-049-00	s	METAL, CHIP 1.0K 5% 1/10W (2125)
R764	*4 1-216-295-00	s	METAL, CHIP 0 (2125)
R765	1-216-049-00	s	METAL, CHIP 1.0K 5% 1/10W (2125)
R766	1-216-049-00	s	METAL, CHIP 1.0K 5% 1/10W (2125)
R767	*4 1-216-619-11	s	METAL, CHIP 47 0.5% 1/10W (2125)
	*1 1-216-667-11	s	METAL, CHIP 4.7K 0.5% 1/10W (2125)
R768	*4 1-216-616-11	s	METAL, CHIP 36 0.5% 1/10W (2125)
	*1 1-216-675-11	s	METAL, CHIP 10K 0.5% 1/10W (2125)
R769	*4 1-216-650-11	s	METAL, CHIP 910 0.5% 1/10W (2125)
	*1 1-216-057-00	s	METAL, CHIP 2.2K 5% 1/10W (2125)
R770	1-216-635-11	s	METAL, CHIP 220 0.5% 1/10W (2125)
R771-773	1-216-049-00	s	METAL, CHIP 1.0K 5% 1/10W (2125)
R776	1-216-073-00	s	METAL, CHIP 10K 5% 1/10W (2125)
R777	1-216-049-00	s	METAL, CHIP 1.0K 5% 1/10W (2125)
R778	1-216-049-00	s	METAL, CHIP 1.0K 5% 1/10W (2125)
R779-781	1-216-073-00	s	METAL, CHIP 10K 5% 1/10W (2125)
R782	*e 1-216-097-00	s	METAL, CHIP 100K 5% 1/10W (2125)
	*6 1-216-073-00	s	METAL, CHIP 10K 5% 1/10W (2125)
R785	1-216-025-00	s	METAL, CHIP 100 5% 1/10W (2125)
R786	1-216-025-00	s	METAL, CHIP 100 5% 1/10W (2125)
R792	1-216-025-00	s	METAL, CHIP 100 5% 1/10W (2125)
R793	1-216-025-00	s	METAL, CHIP 100 5% 1/10W (2125)
R797	1-216-295-00	s	METAL, CHIP 0 (2125)

-----  
 \*6: Board No. suffix 21, 22, of 23  
 \*e: Board No. suffix 24 only

(VPR-1B BOARD for DVW-A510P/CA510P, suffix 21 through 26)

Ref. No. or Q'ty	Part No.	SP Description
R804	1-216-049-00	s METAL, CHIP 1.0K 5% 1/10W (2125)
R805	1-216-675-11	s METAL, CHIP 10K 0.5% 1/10W (2125)
R806	1-216-675-11	s METAL, CHIP 10K 0.5% 1/10W
R807	1-216-639-11	s METAL, CHIP 330 0.5% 1/10W (2125)
R808	1-208-784-11	s METAL, CHIP 1.2K 0.5% 1/10W
R809	1-216-295-00	s METAL, CHIP 0 (2125)
R810	*4 1-216-295-00	s METAL, CHIP 0 (2125)
R812	*4 1-216-295-00	s METAL, CHIP 0 (2125)
R813	*8 1-216-295-00	s METAL, CHIP 0 (2125)
R890	*c 1-216-089-00	s METAL, CHIP 47K 5% 1/10W
R934-937	1-216-025-00	s METAL, CHIP 100 5% 1/10W (2125)
R940-949	*8 1-216-679-11	s METAL, CHIP 15K 0.5% 1/10W (2125)
R950	1-216-025-00	s METAL, CHIP 100 5% 1/10W (2125)
R963	1-216-025-00	s METAL, CHIP 100 5% 1/10W (2125)
R976	1-216-025-00	s METAL, CHIP 100 5% 1/10W (2125)
R1000	1-216-033-00	s METAL, CHIP 220 5% 1/10W (2125)
R1001	*4 1-216-133-00	s METAL, CHIP 3.3M 5% 1/10W (2125)
	*1 1-216-073-00	s METAL, CHIP 10K 5% 1/10W (2125)
R1002	*4 1-216-133-00	s METAL, CHIP 3.3M 5% 1/10W (2125)
	*1 1-216-121-00	s METAL, CHIP 1.0M 5% 1/10W (2125)
R1003	*1 1-216-061-00	s METAL, CHIP 3.3K 5% 1/10W (2125)
R1004	1-216-049-00	s METAL, CHIP 1.0K 5% 1/10W (2125)
R1005	1-216-049-00	s METAL, CHIP 1.0K 5% 1/10W (2125)
R1006	1-216-651-11	s METAL, CHIP 1.0K 0.5% 1/10W
R1007	1-216-073-00	s METAL, CHIP 10K 5% 1/10W (2125)
R1008	1-216-049-00	s METAL, CHIP 1.0K 5% 1/10W (2125)
R1009	1-216-017-00	s METAL, CHIP 47 5% 1/10W (2125)
R1010	*4 1-216-097-00	s METAL, CHIP 100K 5% 1/10W (2125)
	*1 1-216-049-00	s METAL, CHIP 1.0K 5% 1/10W (2125)
R1011	1-216-121-00	s METAL, CHIP 1.0M 5% 1/10W (2125)
R1012	1-216-649-11	s METAL, CHIP 820 0.5% 1/10W (2125)
R1013	1-216-295-00	s METAL, CHIP 0 (2125)
R1015	1-216-049-00	s METAL, CHIP 1.0K 5% 1/10W (2125)
R1016	1-216-049-00	s METAL, CHIP 1.0K 5% 1/10W (2125)
R1017	1-216-295-00	s METAL, CHIP 0 (2125)
R1019	1-216-057-00	s METAL, CHIP 2.2K 5% 1/10W (2125)
R1020	1-216-073-00	s METAL, CHIP 10K 5% 1/10W (2125)
R1021	1-216-057-00	s METAL, CHIP 2.2K 5% 1/10W (2125)
R1022	1-216-051-00	s METAL, CHIP 1.2K 5% 1/10W (2125)
R1024	1-216-073-00	s METAL, CHIP 10K 5% 1/10W (2125)
R1025	1-216-651-11	s METAL, CHIP 1.0K 0.5% 1/10W
R1027	1-216-121-00	s METAL, CHIP 1.0M 5% 1/10W (2125)
R1028	1-216-651-11	s METAL, CHIP 1.0K 0.5% 1/10W
R1029	1-216-661-11	s METAL, CHIP 2.7K 0.5% 1/10W
R1030	1-216-635-11	s METAL, CHIP 220 0.5% 1/10W (2125)
R1031	*4 1-216-057-00	s METAL, CHIP 2.2K 5% 1/10W (2125)
	*1 1-216-659-11	s METAL, CHIP 2.2K 0.5% 1/10W
R1032	1-216-675-11	s METAL, CHIP 10K 0.5% 1/10W (2125)
R1033	1-216-651-11	s METAL, CHIP 1.0K 0.5% 1/10W
R1034	1-216-025-00	s METAL, CHIP 100 5% 1/10W (2125)
R1035	1-216-675-11	s METAL, CHIP 10K 0.5% 1/10W (2125)
R1036	1-216-689-11	s METAL, CHIP 39K 0.5% 1/10W (2125)
R1037	1-216-677-11	s METAL, CHIP 12K 0.5% 1/10W (2125)
R1038	1-216-651-11	s METAL, CHIP 1.0K 0.5% 1/10W

-----  
 \*1: Board No. suffix 21 only  
 \*4: Board No. suffix 22 of higher  
 \*8: Board No. suffix 23 of higher

(VPR-1B BOARD for DVW-A510P/CA510P, suffix 21 through 26)

Ref. No. or Q'ty	Part No.	SP Description
R1039	*b 1-216-083-00	s METAL, CHIP 27K 5% 1/10W (2125)
	*a 1-216-081-00	s METAL, CHIP 22K 5% 1/10W (2125)
R1040	1-216-049-00	s METAL, CHIP 1.0K 5% 1/10W (2125)
R1041	1-216-651-11	s METAL, CHIP 1.0K 0.5% 1/10W (2125)
R1042	1-216-651-11	s METAL, CHIP 1.0K 0.5% 1/10W (2125)
R1043	1-216-121-00	s METAL, CHIP 1.0M 5% 1/10W (2125)
R1044	1-216-651-11	s METAL, CHIP 1.0K 0.5% 1/10W (2125)
R1045	1-216-089-00	s METAL, CHIP 47K 5% 1/10W (2125)
R1046	*b 1-216-093-00	s METAL, CHIP 68K 5% 1/10W (2125)
	*a 1-216-085-00	s METAL, CHIP 33K 5% 1/10W (2125)
R1047	1-216-651-11	s METAL, CHIP 1.0K 0.5% 1/10W (2125)
R1048	1-216-049-00	s METAL, CHIP 1.0K 5% 1/10W (2125)
R1049	1-216-651-11	s METAL, CHIP 1.0K 0.5% 1/10W (2125)
R1050	1-216-651-11	s METAL, CHIP 1.0K 0.5% 1/10W (2125)
R1051	1-216-121-00	s METAL, CHIP 1.0M 5% 1/10W (2125)
R1052	1-216-081-00	s METAL, CHIP 22K 5% 1/10W (2125)
R1053	1-216-295-00	s METAL, CHIP 0 (2125)
R1055	1-216-661-11	s METAL, CHIP 2.7K 0.5% 1/10W (2125)
R1056	1-216-675-11	s METAL, CHIP 10K 0.5% 1/10W (2125)
R1057	1-216-651-11	s METAL, CHIP 1.0K 0.5% 1/10W (2125)
R1061	1-216-295-00	s METAL, CHIP 0 (2125)
R1063	1-216-025-00	s METAL, CHIP 100 5% 1/10W (2125)
R1064	1-216-069-00	s METAL, CHIP 6.8K 5% 1/10W (2125)
R1065	1-216-073-00	s METAL, CHIP 10K 5% 1/10W (2125)
R1066	1-216-663-11	s METAL, CHIP 3.3K 0.5% 1/10W (2125)
R1067	*4 1-216-097-00	s METAL, CHIP 100K 5% 1/10W (2125)
R1068	*4 1-216-049-00	s METAL, CHIP 1.0K 5% 1/10W (2125)
R1072	1-216-295-00	s METAL, CHIP 0 (2125)
R1073	1-216-073-00	s METAL, CHIP 10K 5% 1/10W (2125)
R1074	1-216-041-00	s METAL, CHIP 470 5% 1/10W (2125)
R1077	1-208-814-11	s METAL, CHIP 22K 0.5% 1/10W (2125)
R1078	1-216-057-00	s METAL, CHIP 2.2K 5% 1/10W (2125)
R1079	1-208-814-11	s METAL, CHIP 22K 0.5% 1/10W (2125)
R1080	1-216-295-00	s METAL, CHIP 0 (2125)
R1081	1-216-697-11	s METAL, CHIP 82K 0.5% 1/10W (2125)
R1082	1-216-667-11	s METAL, CHIP 4.7K 0.5% 1/10W (2125)
R1083	1-216-651-11	s METAL, CHIP 1.0K 0.5% 1/10W (2125)
R1084	1-216-073-00	s METAL, CHIP 10K 5% 1/10W (2125)
R1085	1-216-081-00	s METAL, CHIP 22K 5% 1/10W (2125)
R1086	1-216-073-00	s METAL, CHIP 10K 5% 1/10W (2125)
R1087	1-216-017-00	s METAL, CHIP 47 5% 1/10W (2125)
R1088	1-216-667-11	s METAL, CHIP 4.7K 0.5% 1/10W (2125)
R1089	1-216-017-00	s METAL, CHIP 47 5% 1/10W (2125)
R1090	1-216-085-00	s METAL, CHIP 33K 5% 1/10W (2125)
R1091	1-216-073-00	s METAL, CHIP 10K 5% 1/10W (2125)
R1092	1-216-085-00	s METAL, CHIP 33K 5% 1/10W (2125)
R1093	1-216-665-11	s METAL, CHIP 3.9K 0.5% 1/10W (2125)
R1094	1-216-663-11	s METAL, CHIP 3.3K 0.5% 1/10W (2125)
R1095	1-216-671-11	s METAL, CHIP 6.8K 0.5% 1/10W (2125)
R1096	1-216-097-00	s METAL, CHIP 100K 5% 1/10W (2125)
R1097	1-216-097-00	s METAL, CHIP 100K 5% 1/10W (2125)
R1098	1-216-097-00	s METAL, CHIP 100K 5% 1/10W (2125)
R1099	1-216-073-00	s METAL, CHIP 10K 5% 1/10W (2125)
R1100	1-216-073-00	s METAL, CHIP 10K 5% 1/10W (2125)
R1101	1-216-097-00	s METAL, CHIP 100K 5% 1/10W (2125)

-----  
 \*a: LOT No. 307 through 402  
 \*b: LOT No. 403 of higher  
 \*c: Board No. suffix 25 of higher



Ref. No. or Q'ty	Part No.	SP	Description
R1102	1-208-774-11	s	METAL, CHIP 470 0.5% 1/10W (2125)
R1103	1-208-774-11	s	METAL, CHIP 470 0.5% 1/10W (2125)
R1104	1-216-073-00	s	METAL, CHIP 10K 5% 1/10W (2125)
R1105	1-216-685-11	s	METAL, CHIP 27K 0.5% 1/10W (2125)
R1106	1-216-675-11	s	METAL, CHIP 10K 0.5% 1/10W (2125)
R1107	1-216-065-00	s	METAL, CHIP 4.7K 5% 1/10W (2125)
R1108	1-216-073-00	s	METAL, CHIP 10K 5% 1/10W (2125)
R1109	1-216-295-00	s	METAL, CHIP 0 (2125)
R1112	1-216-065-00	s	METAL, CHIP 4.7K 5% 1/10W (2125)
R1113	1-216-025-00	s	METAL, CHIP 100 5% 1/10W (2125)
R1114	1-216-049-00	s	METAL, CHIP 1.0K 5% 1/10W (2125)
R1115	1-216-689-11	s	METAL, CHIP 39K 0.5% 1/10W (2125)
R1116	1-216-073-00	s	METAL, CHIP 10K 5% 1/10W (2125)
R1117	1-216-665-11	s	METAL, CHIP 3.9K 0.5% 1/10W
R1118	*7 1-216-065-00	s	METAL, CHIP 4.7K 5% 1/10W (2125)
R1119	*4 1-216-679-11	s	METAL, CHIP 15K 0.5% 1/10W (2125)
R1120	1-216-663-11	s	METAL, CHIP 3.3K 0.5% 1/10W
R1121	1-216-671-11	s	METAL, CHIP 6.8K 0.5% 1/10W
R1122	*4 1-216-659-11	s	METAL, CHIP 2.2K 0.5% 1/10W
R1123	1-208-774-11	s	METAL, CHIP 470 0.5% 1/10W (2125)
R1124	1-208-774-11	s	METAL, CHIP 470 0.5% 1/10W (2125)
R1125	*4 1-216-675-11	s	METAL, CHIP 10K 0.5% 1/10W (2125)
R1126	1-216-685-11	s	METAL, CHIP 27K 0.5% 1/10W (2125)
R1127	1-216-675-11	s	METAL, CHIP 10K 0.5% 1/10W (2125)
R1128	1-216-295-00	s	METAL, CHIP 0 (2125)
R1130	1-216-295-00	s	METAL, CHIP 0 (2125)
R1131	*7 1-216-065-00	s	METAL, CHIP 4.7K 5% 1/10W (2125)
R1132	*4 1-216-049-00	s	METAL, CHIP 1.0K 5% 1/10W (2125)
	*1 1-216-295-00	s	METAL, CHIP 0 (2125)
R1133	1-216-065-00	s	METAL, CHIP 4.7K 5% 1/10W (2125)
R1134	1-216-025-00	s	METAL, CHIP 100 5% 1/10W (2125)
R1135	1-216-025-00	s	METAL, CHIP 100 5% 1/10W (2125)
R1136	1-216-025-00	s	METAL, CHIP 100 5% 1/10W (2125)
R1137	1-208-774-11	s	METAL, CHIP 470 0.5% 1/10W (2125)
R1138	1-208-774-11	s	METAL, CHIP 470 0.5% 1/10W (2125)
R1139	1-208-774-11	s	METAL, CHIP 470 0.5% 1/10W (2125)
R1140	1-216-675-11	s	METAL, CHIP 10K 0.5% 1/10W
R1142	1-216-025-00	s	METAL, CHIP 100 5% 1/10W (2125)
R1144	*4 1-216-073-00	s	METAL, CHIP 10K 5% 1/10W (2125)
R1145	*4 1-216-097-00	s	METAL, CHIP 100K 5% 1/10W (2125)
R1146	*4 1-216-081-00	s	METAL, CHIP 22K 5% 1/10W (2125)
R1147	*4 1-216-081-00	s	METAL, CHIP 22K 5% 1/10W (2125)
R1148	1-216-017-00	s	METAL, CHIP 47 5% 1/10W (2125)
R1149	*4 1-216-079-00	s	METAL, CHIP 18K 5% 1/10W (2125)
R1150	1-216-295-00	s	METAL, CHIP 0 (2125)
R1151	1-216-295-00	s	METAL, CHIP 0 (2125)
R1152	1-216-295-00	s	METAL, CHIP 0 (2125)
R1154	1-216-025-00	s	METAL, CHIP 100 5% 1/10W (2125)
R1156	1-218-760-11	s	METAL, CHIP 220K 0.5% 1/10W
R1157	1-208-774-11	s	METAL, CHIP 470 0.5% 1/10W
R1159	1-216-025-00	s	METAL, CHIP 100 5% 1/10W (2125)
R1160	1-216-057-00	s	METAL, CHIP 2.2K 5% 1/10W (2125)
R1161	1-216-025-00	s	METAL, CHIP 100 5% 1/10W (2125)
R1162	*4 1-216-659-11	s	METAL, CHIP 2.2K 0.5% 1/10W
R1163	*1 1-216-097-00	s	METAL, CHIP 100K 5% 1/10W (2125)
R1164	*1 1-216-097-00	s	METAL, CHIP 100K 5% 1/10W (2125)

-----  
 \*1: Board No. suffix 21 only  
 \*4: Board No. suffix 22 of higher  
 \*7: Board No. suffix 22 of 23

Ref. No. or Q'ty	Part No.	SP	Description
R1165	1-216-025-00	s	METAL, CHIP 100 5% 1/10W (2125)
R1166	1-216-073-00	s	METAL, CHIP 10K 5% 1/10W (2125)
R1167	1-216-697-11	s	METAL, CHIP 82K 0.5% 1/10W (2125)
R1168	1-216-041-00	s	METAL, CHIP 470 5% 1/10W (2125)
R1169	1-216-675-11	s	METAL, CHIP 10K 0.5% 1/10W (2125)
R1170	1-216-073-00	s	METAL, CHIP 10K 5% 1/10W (2125)
R1171	1-216-667-11	s	METAL, CHIP 4.7K 0.5% 1/10W (2125)
R1172	1-216-685-11	s	METAL, CHIP 27K 0.5% 1/10W (2125)
R1173	1-216-659-11	s	METAL, CHIP 2.2K 0.5% 1/10W (2125)
R1174	*4 1-208-803-11	s	METAL, CHIP 7.5K 0.5% 1/10W (2125)
	*1 1-216-085-00	s	METAL, CHIP 33K 5% 1/10W (2125)
R1175	1-216-678-11	s	METAL, CHIP 13K 0.5% 1/10W (2125)
R1176	1-216-671-11	s	METAL, CHIP 6.8K 0.5% 1/10W (2125)
R1177	1-216-689-11	s	METAL, CHIP 39K 0.5% 1/10W (2125)
	(*1) 1-216-659-11	s	METAL, CHIP 2.2K 0.5% 1/10W (2125)
R1179	*7 1-216-295-00	s	METAL, CHIP 0 (2125)
R1201	1-216-065-00	s	METAL, CHIP 4.7K 5% 1/10W (2125)
R1202	1-216-065-00	s	METAL, CHIP 4.7K 5% 1/10W (2125)
R1203	1-216-065-00	s	METAL, CHIP 4.7K 5% 1/10W (2125)
R1204	1-216-065-00	s	METAL, CHIP 4.7K 5% 1/10W (2125)
R1205	*8 1-216-065-00	s	METAL, CHIP 4.7K 5% 1/10W (2125)
R1210	*9 1-216-695-11	s	METAL, CHIP 68K 0.5% 1/10W (2125)
R1212	*9 1-216-295-00	s	METAL, CHIP 0 (2125)
R1214	*9 1-216-687-11	s	METAL, CHIP 33K 0.5% 1/10W (2125)
R1215	*9 1-208-824-11	s	METAL, CHIP 56K 0.5% 1/10W (2125)
R1217	*9 1-216-295-00	s	METAL, CHIP 0 (2125)
R1226	*9 1-216-073-00	s	METAL, CHIP 10K 5% 1/10W (2125)
R1227	*9 1-216-295-00	s	METAL, CHIP 0 (2125)
R1228	*9 1-216-295-00	s	METAL, CHIP 0 (2125)
R1229	*9 1-216-097-00	s	METAL, CHIP 100K 5% 1/10W (2125)
R1230	*9 1-216-097-00	s	METAL, CHIP 100K 5% 1/10W (2125)
R1231	*9 1-216-097-00	s	METAL, CHIP 100K 5% 1/10W (2125)
R8400	*1 1-218-659-11	s	METAL, CHIP 43 0.5% 1/16W (1608)
R8401	*1 1-218-659-11	s	METAL, CHIP 43 0.5% 1/16W (1608)
RB312-317			
	1-239-412-11	s	RES, NETWORK, CHIP 100x4
RB318-325			
	1-239-711-11	s	RES, NETWORK, CHIP 0x4
RB326	1-239-412-11	s	RES, NETWORK, CHIP 100x4
RB327	1-239-412-11	s	RES, NETWORK, CHIP 100x4
RB328	1-239-412-11	s	RES, NETWORK, CHIP 100x4
RB500-503			
	1-239-628-11	s	RES, NETWORK, CHIP 220x8
RB504	1-239-306-11	s	RESISTOR BLOCK, CHIP 10Kx8
RB505-513			
	1-239-412-11	s	RES, NETWORK, CHIP 100x4

-----  
 \*8: Board No. suffix 23 of higher  
 \*9: Board No. suffix 24 of higher  
 (\*?): Some mounted circuit boards within specified "\*?"

-----  
 VPR-1B BOARD for DVW-510P, suffix 21 through 26  
 -----

Ref. No. or Q'ty	Part No.	SP Description
1pc	A-8275-338-B	o MOUNTED CIRCUIT BOARD, VPR-1BP
1pc	3-171-453-03	o PLATE (L), SHIELD, CARD
1pc	3-171-454-02	o SHEET (L), CARD
1pc	7-682-902-11	s SCREW +PWH 2.6x5
1pc	3-179-084-01	s LEVER (R), PC BOARD
1pc	3-179-085-01	s LEVER (L), PC BOARD
C311	*4 1-163-227-11	s CERAMIC, CHIP 10pF 5% 50V (2125)
C313	*4 1-163-037-11	s CERAMIC, CHIP 0.022uF 10% 25V
C336	1-126-964-11	s ELECT 10uF 20% 50V
C337	1-126-964-11	s ELECT 10uF 20% 50V
C339	1-164-232-11	s CERAMIC, CHIP 0.01uF 10% 100V
C340	1-164-232-11	s CERAMIC, CHIP 0.01uF 10% 100V
C500	1-126-964-11	s ELECT 10uF 20% 50V
C501	1-126-964-11	s ELECT 10uF 20% 50V
C504	1-164-232-11	s CERAMIC, CHIP 0.01uF 10% 100V
C505	1-164-232-11	s CERAMIC, CHIP 0.01uF 10% 100V
C508	*4 1-163-037-11	s CERAMIC, CHIP 0.022uF 10% 25V
C509-511	1-163-037-11	s CERAMIC, CHIP 0.022uF 10% 25V
C512	*4 1-126-933-11	s ELECT 100uF 20% 16V
C513-515	1-163-037-11	s CERAMIC, CHIP 0.022uF 10% 25V
C516	*4 1-163-037-11	s CERAMIC, CHIP 0.022uF 10% 25V
C517-521	1-163-037-11	s CERAMIC, CHIP 0.022uF 10% 25V
C523-527	1-163-037-11	s CERAMIC, CHIP 0.022uF 10% 25V
C528	1-126-933-11	s ELECT 100uF 20% 16V
C529	1-163-809-11	s CERAMIC, CHIP 0.047uF 10% 25V
C530-532	1-163-037-11	s CERAMIC, CHIP 0.022uF 10% 25V
C533	1-135-167-21	s TANTALUM, CHIP 68uF 10% 6.3V
C534	1-135-167-21	s TANTALUM, CHIP 68uF 10% 6.3V
C535	1-163-037-11	s CERAMIC, CHIP 0.022uF 10% 25V
C536	1-126-933-11	s ELECT 100uF 20% 16V
C537	1-163-037-11	s CERAMIC, CHIP 0.022uF 10% 25V
C538	1-126-933-11	s ELECT 100uF 20% 16V
C539	1-126-933-11	s ELECT 100uF 20% 16V
C540	1-163-037-11	s CERAMIC, CHIP 0.022uF 10% 25V
C541-543	1-126-964-11	s ELECT 10uF 20% 50V
C544	*4 1-163-037-11	s CERAMIC, CHIP 0.022uF 10% 25V
C545-547	1-164-232-11	s CERAMIC, CHIP 0.01uF 10% 100V
C548	1-126-925-11	s ELECT 470uF 20% 10V
C549	1-163-037-11	s CERAMIC, CHIP 0.022uF 10% 25V
C550	*4 1-164-695-11	s CERAMIC, CHIP 2200pF 5% 50V
	*1 1-163-275-11	s CERAMIC, CHIP 1000pF 5% 50V
C551	*4 1-164-685-11	s CERAMIC, CHIP 1300pF 5% 50V
	*1 1-163-133-00	s CERAMIC, CHIP 470pF 5% 50V (2125)
C552	*4 1-163-089-00	s CERAMIC, CHIP 6pF 50V (2125)
	*1 1-163-222-11	s CERAMIC, CHIP 5pF 50V (2125)
C553	*4 1-126-933-11	s ELECT 100uF 20% 16V
	*1 1-163-037-11	s CERAMIC, CHIP 0.022uF 10% 25V
C554	*4 1-163-037-11	s CERAMIC, CHIP 0.022uF 10% 25V
	*1 1-163-235-11	s CERAMIC, CHIP 22pF 5% 50V (2125)
C555	1-164-695-11	s CERAMIC, CHIP 2200pF 5% 50V
C556	*1 1-126-923-11	s ELECT 220uF 20% 10V
C557	*1 1-126-923-11	s ELECT 220uF 20% 10V
C558	*1 1-163-037-11	s CERAMIC, CHIP 0.022uF 10% 25V
C559	*1 1-163-241-11	s CERAMIC, CHIP 39pF 5% 50V (2125)

(VPR-1B BOARD for DVW-510P, suffix 21 through 26)

Ref. No. or Q'ty	Part No.	SP Description
C560	1-164-695-11	s CERAMIC, CHIP 2200pF 5% 50V (2125)
C561	*1 1-126-923-11	s ELECT 220uF 20% 10V
C562	*1 1-126-923-11	s ELECT 220uF 20% 10V
C563	*1 1-163-037-11	s CERAMIC, CHIP 0.022uF 10% 25V (2125)
C564	*1 1-163-241-11	s CERAMIC, CHIP 39pF 5% 50V (2125)
C565	*4 1-164-695-11	s CERAMIC, CHIP 2200pF 5% 50V (2125)
	*1 1-163-275-11	s CERAMIC, CHIP 1000pF 5% 50V (2125)
C566	*4 1-164-685-11	s CERAMIC, CHIP 1300pF 5% 50V (2125)
	*1 1-163-133-00	s CERAMIC, CHIP 470pF 5% 50V (2125)
C567	*4 1-163-089-00	s CERAMIC, CHIP 6pF 50V (2125)
	*1 1-163-222-11	s CERAMIC, CHIP 5pF 50V (2125)
C568	*1 1-163-037-11	s CERAMIC, CHIP 0.022uF 10% 25V (2125)
C569	*1 1-163-097-00	s CERAMIC, CHIP 15pF 5% 50V (2125)
C570	*4 1-164-695-11	s CERAMIC, CHIP 2200pF 5% 50V (2125)
	*1 1-163-275-11	s CERAMIC, CHIP 1000pF 5% 50V (2125)
C571	*4 1-164-685-11	s CERAMIC, CHIP 1300pF 5% 50V (2125)
	*1 1-163-133-00	s CERAMIC, CHIP 470pF 5% 50V (2125)
C572	*4 1-163-089-00	s CERAMIC, CHIP 6pF 50V (2125)
	*1 1-163-222-11	s CERAMIC, CHIP 5pF 50V (2125)
C573	*1 1-163-037-11	s CERAMIC, CHIP 0.022uF 10% 25V (2125)
C575	*1 1-126-923-11	s ELECT 220uF 20% 10V
C598	*4 1-163-220-11	s CERAMIC, CHIP 3pF 50V (2125)
C599	*4 1-163-220-11	s CERAMIC, CHIP 3pF 50V (2125)
C600	1-163-037-11	s CERAMIC, CHIP 0.022uF 10% 25V (2125)
C601	*4 1-126-933-11	s ELECT 100uF 20% 16V
	*1 1-163-037-11	s CERAMIC, CHIP 0.022uF 10% 25V (2125)
C602	1-163-037-11	s CERAMIC, CHIP 0.022uF 10% 25V (2125)
C603	*4 1-127-516-11	s ELECT 220uF 20% 10V
	*1 1-127-518-11	s ALUMN SOLID 100uF 20% 16V
C604	1-163-037-11	s CERAMIC, CHIP 0.022uF 10% 25V (2125)
C605	1-163-038-00	s CERAMIC, CHIP 0.1uF 25V (2125)
C606-608	1-163-037-11	s CERAMIC, CHIP 0.022uF 10% 25V (2125)
C609	1-163-038-00	s CERAMIC, CHIP 0.1uF 25V (2125)
C610	1-163-037-11	s CERAMIC, CHIP 0.022uF 10% 25V (2125)
C611	1-163-038-00	s CERAMIC, CHIP 0.1uF 25V (2125)
C612	*4 1-163-037-11	s CERAMIC, CHIP 0.022uF 10% 25V (2125)
	*1 1-127-517-11	s ALMUN SOLID 150uF 20% 16V
C613	*4 1-163-037-11	s CERAMIC, CHIP 0.022uF 10% 25V (2125)
C614	*4 1-127-516-11	s ELECT 220uF 20% 10V
	*1 1-127-517-11	s ALMUN SOLID 150uF 20% 16V
C615	1-163-037-11	s CERAMIC, CHIP 0.022uF 10% 25V (2125)
C616	1-163-038-00	s CERAMIC, CHIP 0.1uF 25V (2125)
C617	1-163-037-11	s CERAMIC, CHIP 0.022uF 10% 25V (2125)
C618	*4 1-135-157-21	s TANTALUM, CHIP 10uF 10% 6.3V
C619	1-163-037-11	s CERAMIC, CHIP 0.022uF 10% 25V (2125)
C620	*4 1-163-087-00	s CERAMIC, CHIP 4pF 50V (2125)
C621	1-163-037-11	s CERAMIC, CHIP 0.022uF 10% 25V (2125)
C622	*4 1-163-037-11	s CERAMIC, CHIP 0.022uF 10% 25V (2125)
C623	*1 1-126-933-11	s ELECT 100uF 20% 16V
C624	1-163-243-11	s CERAMIC, CHIP 47pF 5% 50V (2125)
C625	1-163-251-11	s CERAMIC, CHIP 100pF 5% 50V (2125)
C626	*4 1-135-157-21	s TANTALUM, CHIP 10uF 10% 6.3V

-----  
 \*1: Board No. suffix 21 only  
 \*4: Board No. suffix 22 and higher  
 -----

(VPR-1B BOARD for DVW-510P, suffix 21 through 26)

Ref. No. or Q'ty	Part No.	SP	Description
C628-634	1-163-037-11	s	CERAMIC, CHIP 0.022uF 10% 25V
C635	*4 1-127-516-11	s	ELECT 220uF 20% 10V
	*1 1-126-933-11	s	ELECT 100uF 20% 16V
C636	*4 1-163-037-11	s	CERAMIC, CHIP 0.022uF 10% 25V
C637-640	1-163-037-11	s	CERAMIC, CHIP 0.022uF 10% 25V
C641-646			
	*4 1-135-210-11	s	TANTALUM, CHIP 4.7uF 20% 10V
	*1 1-135-091-00	s	TANTALUM, CHIP 1.0uF 20% 16V
C647-649			
	*4 1-135-091-00	s	TANTALUM, CHIP 1.0uF 20% 16V
	*1 1-104-559-11	s	FILM, CHIP 0.047uF 5% 16V (3216)
C650-656	1-163-037-11	s	CERAMIC, CHIP 0.022uF 10% 25V
C657	*4 1-126-933-11	s	ELECT 100uF 20% 16V
	*1 1-163-037-11	s	CERAMIC, CHIP 0.022uF 10% 25V
C658	*4 1-127-516-11	s	ELECT 220uF 20% 10V
	*1 1-127-518-11	s	ALUMN SOLID 100uF 20% 16V
C659	1-163-037-11	s	CERAMIC, CHIP 0.022uF 10% 25V
C660	*4 1-135-157-21	s	TANTALUM, CHIP 10uF 10% 6.3V
C661-664	1-163-037-11	s	CERAMIC, CHIP 0.022uF 10% 25V
C665-667	1-163-038-00	s	CERAMIC, CHIP 0.1uF 25V (2125)
C668	*4 1-163-037-11	s	CERAMIC, CHIP 0.022uF 10% 25V
	*1 1-127-517-11	s	ALMUN SOLID 150uF 20% 16V
C670	1-163-037-11	s	CERAMIC, CHIP 0.022uF 10% 25V
C671	1-163-038-00	s	CERAMIC, CHIP 0.1uF 25V (2125)
C672	*4 1-163-037-11	s	CERAMIC, CHIP 0.022uF 10% 25V
C673	1-163-037-11	s	CERAMIC, CHIP 0.022uF 10% 25V
C674	*4 1-135-157-21	s	TANTALUM, CHIP 10uF 10% 6.3V
C675	1-163-037-11	s	CERAMIC, CHIP 0.022uF 10% 25V
C676	*4 1-163-220-11	s	CERAMIC, CHIP 3pF 50V (2125)
C677	1-163-037-11	s	CERAMIC, CHIP 0.022uF 10% 25V
C678	*4 1-163-037-11	s	CERAMIC, CHIP 0.022uF 10% 25V
C679	*4 1-135-157-21	s	TANTALUM, CHIP 10uF 10% 6.3V
C680	*4 1-127-516-11	s	ELECT 220uF 20% 10V
	*1 1-127-517-11	s	ALMUN SOLID 150uF 20% 16V
C681	*4 1-127-516-11	s	ELECT 220uF 20% 10V
	*1 1-126-933-11	s	ELECT 100uF 20% 16V
C682	*4 1-163-220-11	s	CERAMIC, CHIP 3pF 50V (2125)
C683	*4 1-163-037-11	s	CERAMIC, CHIP 0.022uF 10% 25V
C684-688	1-163-037-11	s	CERAMIC, CHIP 0.022uF 10% 25V
C689	*4 1-163-037-11	s	CERAMIC, CHIP 0.022uF 10% 25V
C690	*1 1-126-933-11	s	ELECT 100uF 20% 16V
C691	1-163-037-11	s	CERAMIC, CHIP 0.022uF 10% 25V
C695	*4 1-163-037-11	s	CERAMIC, CHIP 0.022uF 10% 25V
C696	*4 1-163-037-11	s	CERAMIC, CHIP 0.022uF 10% 25V
C697-700			
	*4 1-135-210-11	s	TANTALUM, CHIP 4.7uF 20% 10V
	*1 1-135-091-00	s	TANTALUM, CHIP 1.0uF 20% 16V
C701	*4 1-135-091-00	s	TANTALUM, CHIP 1.0uF 20% 16V
	*1 1-104-559-11	s	FILM, CHIP 0.047uF 5% 16V (3216)
C702	*4 1-135-091-00	s	TANTALUM, CHIP 1.0uF 20% 16V
	*1 1-104-559-11	s	FILM, CHIP 0.047uF 5% 16V (3216)
C703	1-163-037-11	s	CERAMIC, CHIP 0.022uF 10% 25V
C704	1-163-037-11	s	CERAMIC, CHIP 0.022uF 10% 25V

-----  
\*1: Board No. suffix 21 only  
\*3: Board No. suffix 21 of 22

(VPR-1B BOARD for DVW-510P, suffix 21 through 26)

Ref. No. or Q'ty	Part No.	SP	Description
C705	1-163-222-11	s	CERAMIC, CHIP 5pF 50V (2125)
C706	1-163-243-11	s	CERAMIC, CHIP 47pF 5% 50V (2125)
C707-710	1-163-037-11	s	CERAMIC, CHIP 0.022uF 10% 25V (2125)
C711	1-163-227-11	s	CERAMIC, CHIP 10pF 5% 50V (2125)
C712	1-163-037-11	s	CERAMIC, CHIP 0.022uF 10% 25V (2125)
C713	1-135-161-21	s	TANTALUM, CHIP 22uF 10% 10V
C714-719			
	*4 1-163-037-11	s	CERAMIC, CHIP 0.022uF 10% 25V (2125)
C745-749	1-163-038-00	s	CERAMIC, CHIP 0.1uF 25V (2125)
C750	1-126-947-11	s	ELECT 47uF 20% 35V
C751-757	1-126-933-11	s	ELECT 100uF 20% 16V
C758	1-163-037-11	s	CERAMIC, CHIP 0.022uF 10% 25V (2125)
C760	1-163-037-11	s	CERAMIC, CHIP 0.022uF 10% 25V (2125)
C762	1-126-933-11	s	ELECT 100uF 20% 16V
C765	1-163-037-11	s	CERAMIC, CHIP 0.022uF 10% 25V (2125)
C767	1-126-947-11	s	ELECT 47uF 20% 35V
C769	1-163-037-11	s	CERAMIC, CHIP 0.022uF 10% 25V (2125)
C771	1-126-933-11	s	ELECT 100uF 20% 16V
C772-775	1-163-037-11	s	CERAMIC, CHIP 0.022uF 10% 25V (2125)
C776	1-126-933-11	s	ELECT 100uF 20% 16V
C777	1-163-037-11	s	CERAMIC, CHIP 0.022uF 10% 25V (2125)
C778	1-126-933-11	s	ELECT 100uF 20% 16V
C779-782	1-163-037-11	s	CERAMIC, CHIP 0.022uF 10% 25V (2125)
C783	*3 1-163-037-11	s	CERAMIC, CHIP 0.022uF 10% 25V (2125)
C784	1-126-964-11	s	ELECT 10uF 20% 50V
C785	1-163-038-00	s	CERAMIC, CHIP 0.1uF 25V (2125)
C786-792	1-163-037-11	s	CERAMIC, CHIP 0.022uF 10% 25V (2125)
C793	1-163-275-11	s	CERAMIC, CHIP 1000pF 5% 50V (2125)
C796	1-163-037-11	s	CERAMIC, CHIP 0.022uF 10% 25V (2125)
C802	1-163-037-11	s	CERAMIC, CHIP 0.022uF 10% 25V (2125)
C803	1-163-037-11	s	CERAMIC, CHIP 0.022uF 10% 25V (2125)
C805	1-163-037-11	s	CERAMIC, CHIP 0.022uF 10% 25V (2125)
C807	1-163-037-11	s	CERAMIC, CHIP 0.022uF 10% 25V (2125)
C809	1-163-037-11	s	CERAMIC, CHIP 0.022uF 10% 25V (2125)
C812	1-163-037-11	s	CERAMIC, CHIP 0.022uF 10% 25V (2125)
C814	1-163-037-11	s	CERAMIC, CHIP 0.022uF 10% 25V (2125)
C816	1-163-037-11	s	CERAMIC, CHIP 0.022uF 10% 25V (2125)
C818	1-163-037-11	s	CERAMIC, CHIP 0.022uF 10% 25V (2125)
C821-824	1-163-037-11	s	CERAMIC, CHIP 0.022uF 10% 25V (2125)
C1000	1-126-933-11	s	ELECT 100uF 20% 16V
C1001	1-163-239-11	s	CERAMIC, CHIP 33pF 5% 50V (2125)
C1002	1-126-933-11	s	ELECT 100uF 20% 16V
C1003	1-163-037-11	s	CERAMIC, CHIP 0.022uF 10% 25V (2125)
C1004	1-163-125-00	s	CERAMIC, CHIP 220pF 5% 50V (2125)
C1005	1-164-232-11	s	CERAMIC, CHIP 0.01uF 10% 100V (2125)
C1006	1-163-037-11	s	CERAMIC, CHIP 0.022uF 10% 25V (2125)
C1007	1-163-133-00	s	CERAMIC, CHIP 470pF 5% 50V (2125)
C1008	1-126-933-11	s	ELECT 100uF 20% 16V
C1009	1-126-933-11	s	ELECT 100uF 20% 16V
C1010	1-126-933-11	s	ELECT 100uF 20% 16V
C1011	1-163-037-11	s	CERAMIC, CHIP 0.022uF 10% 25V (2125)
C1012	1-163-037-11	s	CERAMIC, CHIP 0.022uF 10% 25V (2125)
C1013	1-163-037-11	s	CERAMIC, CHIP 0.022uF 10% 25V (2125)
C1014	1-164-232-11	s	CERAMIC, CHIP 0.01uF 10% 100V (2125)
C1015	1-104-559-11	s	FILM, CHIP 0.047uF 5% 16V (3216)
C1017	*1 1-163-038-00	s	CERAMIC, CHIP 0.1uF 25V (2125)

-----  
\*4: Board No. suffix 22 and higher

(VPR-1B BOARD for DVW-510P, suffix 21 through 26)

(VPR-1B BOARD for DVW-510P, suffix 21 through 26)

Ref. No. or Q'ty	Part No.	SP Description
C1018	1-163-251-11	s CERAMIC, CHIP 100pF 5% 50V (2125)
C1020	1-163-037-11	s CERAMIC, CHIP 0.022uF 10% 25V
C1021 *4	1-163-038-00	s CERAMIC, CHIP 0.1uF 25V (2125)
C1022	1-163-038-00	s CERAMIC, CHIP 0.1uF 25V (2125)
C1024	1-163-037-11	s CERAMIC, CHIP 0.022uF 10% 25V
C1025	1-163-133-00	s CERAMIC, CHIP 470pF 5% 50V (2125)
C1026	1-163-037-11	s CERAMIC, CHIP 0.022uF 10% 25V
C1027	1-163-239-11	s CERAMIC, CHIP 33pF 5% 50V (2125)
C1028	1-163-125-00	s CERAMIC, CHIP 220pF 5% 50V (2125)
C1029	1-104-547-11	s FILM, CHIP 0.0047uF 5% 16V (2125)
C1030	1-163-037-11	s CERAMIC, CHIP 0.022uF 10% 25V
C1031 *4	1-163-037-11	s CERAMIC, CHIP 0.022uF 10% 25V
C1032	1-163-037-11	s CERAMIC, CHIP 0.022uF 10% 25V
C1033	1-163-125-00	s CERAMIC, CHIP 220pF 5% 50V (2125)
C1034	1-163-235-11	s CERAMIC, CHIP 22pF 5% 50V (2125)
C1035	1-163-235-11	s CERAMIC, CHIP 22pF 5% 50V (2125)
C1036	1-163-235-11	s CERAMIC, CHIP 22pF 5% 50V (2125)
C1037	1-104-547-11	s FILM, CHIP 0.0047uF 5% 16V (2125)
C1038	1-164-232-11	s CERAMIC, CHIP 0.01uF 10% 100V
C1039	1-164-232-11	s CERAMIC, CHIP 0.01uF 10% 100V
C1040	1-163-235-11	s CERAMIC, CHIP 22pF 5% 50V (2125)
C1041	1-163-037-11	s CERAMIC, CHIP 0.022uF 10% 25V
C1042	1-163-037-11	s CERAMIC, CHIP 0.022uF 10% 25V
C1043	1-163-085-00	s CERAMIC, CHIP 2pF 50V (2125)
C1044	1-163-089-00	s CERAMIC, CHIP 6pF 50V (2125)
C1045 *4	1-163-037-11	s CERAMIC, CHIP 0.022uF 10% 25V
C1046	1-163-038-00	s CERAMIC, CHIP 0.1uF 25V (2125)
C1048	1-163-239-11	s CERAMIC, CHIP 33pF 5% 50V (2125)
C1049	1-135-085-21	s TANTALUM, CHIP 4.7uF 10% 25V
C1050	1-135-085-21	s TANTALUM, CHIP 4.7uF 10% 25V
C1051 *4	1-163-037-11	s CERAMIC, CHIP 0.022uF 10% 25V
C1052	1-163-037-11	s CERAMIC, CHIP 0.022uF 10% 25V
C1053	1-126-933-11	s ELECT 100uF 20% 16V
C1055	1-163-037-11	s CERAMIC, CHIP 0.022uF 10% 25V
C1056	1-135-179-21	s TANTALUM, CHIP 2.2uF 10% 16V
C1057	1-126-933-11	s ELECT 100uF 20% 16V
C1059	1-163-037-11	s CERAMIC, CHIP 0.022uF 10% 25V
C1060	1-163-037-11	s CERAMIC, CHIP 0.022uF 10% 25V
C1061	1-163-037-11	s CERAMIC, CHIP 0.022uF 10% 25V
C1063	1-126-933-11	s ELECT 100uF 20% 16V
C1064	1-126-933-11	s ELECT 100uF 20% 16V
C1065	1-163-037-11	s CERAMIC, CHIP 0.022uF 10% 25V
C1066	1-163-037-11	s CERAMIC, CHIP 0.022uF 10% 25V
C1067	1-163-037-11	s CERAMIC, CHIP 0.022uF 10% 25V
C1068	1-126-933-11	s ELECT 100uF 20% 16V
C1069	1-163-037-11	s CERAMIC, CHIP 0.022uF 10% 25V
C1070	1-126-933-11	s ELECT 100uF 20% 16V
C1071	1-163-038-00	s CERAMIC, CHIP 0.1uF 25V (2125)
C1073-1076	1-163-037-11	s CERAMIC, CHIP 0.022uF 10% 25V
C1078	1-163-037-11	s CERAMIC, CHIP 0.022uF 10% 25V
C1080	1-163-037-11	s CERAMIC, CHIP 0.022uF 10% 25V
C1081	1-163-037-11	s CERAMIC, CHIP 0.022uF 10% 25V
C1082	1-163-235-11	s CERAMIC, CHIP 22pF 5% 50V (2125)
C1084	1-163-037-11	s CERAMIC, CHIP 0.022uF 10% 25V
C1086	1-163-037-11	s CERAMIC, CHIP 0.022uF 10% 25V

Ref. No. or Q'ty	Part No.	SP Description
C1087	1-163-037-11	s CERAMIC, CHIP 0.022uF 10% 25V (2125)
C1088	1-163-235-11	s CERAMIC, CHIP 22pF 5% 50V (2125)
C1089	1-163-037-11	s CERAMIC, CHIP 0.022uF 10% 25V (2125)
C1090	1-163-251-11	s CERAMIC, CHIP 100pF 5% 50V (2125)
C1091	1-163-038-00	s CERAMIC, CHIP 0.1uF 25V (2125)
C1093	1-126-933-11	s ELECT 100uF 20% 16V
C1094	1-163-038-00	s CERAMIC, CHIP 0.1uF 25V (2125)
C1096	1-163-037-11	s CERAMIC, CHIP 0.022uF 10% 25V (2125)
C1098	1-126-933-11	s ELECT 100uF 20% 16V
C1099	1-163-037-11	s CERAMIC, CHIP 0.022uF 10% 25V (2125)
C1100	1-163-121-00	s CERAMIC, CHIP 150pF 5% 50V (2125)
C1101	1-163-037-11	s CERAMIC, CHIP 0.022uF 10% 25V (2125)
C1102	1-163-038-00	s CERAMIC, CHIP 0.1uF 25V (2125)
C1103	1-126-933-11	s ELECT 100uF 20% 16V
C1104	1-163-037-11	s CERAMIC, CHIP 0.022uF 10% 25V (2125)
C1105	1-163-037-11	s CERAMIC, CHIP 0.022uF 10% 25V (2125)
C1106	1-163-037-11	s CERAMIC, CHIP 0.022uF 10% 25V (2125)
C1107	1-126-933-11	s ELECT 100uF 20% 16V
C1108	1-163-275-11	s CERAMIC, CHIP 1000pF 5% 50V (2125)
C1109	1-163-037-11	s CERAMIC, CHIP 0.022uF 10% 25V (2125)
C1110	1-163-037-11	s CERAMIC, CHIP 0.022uF 10% 25V (2125)
C1111	1-126-964-11	s ELECT 10uF 20% 50V
C1112	1-163-037-11	s CERAMIC, CHIP 0.022uF 10% 25V (2125)
C1113	1-163-113-00	s CERAMIC, CHIP 68pF 5% 50V (2125)
C1114	1-163-125-00	s CERAMIC, CHIP 220pF 5% 50V (2125)
C1115	1-163-037-11	s CERAMIC, CHIP 0.022uF 10% 25V (2125)
C1116	1-163-113-00	s CERAMIC, CHIP 68pF 5% 50V (2125)
C1117-1122	1-163-037-11	s CERAMIC, CHIP 0.022uF 10% 25V (2125)
C1124	1-163-038-00	s CERAMIC, CHIP 0.1uF 25V (2125)
C1125	1-163-037-11	s CERAMIC, CHIP 0.022uF 10% 25V (2125)
C1126	1-126-933-11	s ELECT 100uF 20% 16V
C1127	1-126-933-11	s ELECT 100uF 20% 16V
C1128	1-163-037-11	s CERAMIC, CHIP 0.022uF 10% 25V (2125)
C1129	1-163-038-00	s CERAMIC, CHIP 0.1uF 25V (2125)
C1130	1-163-037-11	s CERAMIC, CHIP 0.022uF 10% 25V (2125)
C1132	1-163-037-11	s CERAMIC, CHIP 0.022uF 10% 25V (2125)
C1133	1-126-933-11	s ELECT 100uF 20% 16V
C1134-1137	1-163-037-11	s CERAMIC, CHIP 0.022uF 10% 25V (2125)
C1139	1-163-037-11	s CERAMIC, CHIP 0.022uF 10% 25V (2125)
C1140	1-163-113-00	s CERAMIC, CHIP 68pF 5% 50V (2125)
C1141	1-163-037-11	s CERAMIC, CHIP 0.022uF 10% 25V (2125)
C1143	1-163-125-00	s CERAMIC, CHIP 220pF 5% 50V (2125)
C1144	1-163-037-11	s CERAMIC, CHIP 0.022uF 10% 25V (2125)
C1145	1-163-037-11	s CERAMIC, CHIP 0.022uF 10% 25V (2125)
C1146	1-163-113-00	s CERAMIC, CHIP 68pF 5% 50V (2125)
C1147	1-163-037-11	s CERAMIC, CHIP 0.022uF 10% 25V (2125)
C1148	1-163-037-11	s CERAMIC, CHIP 0.022uF 10% 25V (2125)
C1149	1-163-037-11	s CERAMIC, CHIP 0.022uF 10% 25V (2125)
C1150	1-164-222-11	s CERAMIC, CHIP 0.22uF 25V (2125)
C1151	1-163-037-11	s CERAMIC, CHIP 0.022uF 10% 25V (2125)
C1152	1-163-037-11	s CERAMIC, CHIP 0.022uF 10% 25V (2125)
C1153	1-135-179-21	s TANTALUM, CHIP 2.2uF 10% 16V
C1156	1-126-933-11	s ELECT 100uF 20% 16V
C1157	1-126-933-11	s ELECT 100uF 20% 16V

\*4: Board No. suffix 22 and higher

(VPR-1B BOARD for DVW-510P, suffix 21 through 26)

Ref. No. or Q'ty	Part No.	SP	Description
C1158-1163	1-163-037-11	s	CERAMIC, CHIP 0.022uF 10% 25V
C1164	1-126-964-11	s	ELECT 10uF 20% 50V
C1165	1-164-232-11	s	CERAMIC, CHIP 0.01uF 10% 100V
C1166-1169	1-126-964-11	s	ELECT 10uF 20% 50V
C1170-1173	1-164-232-11	s	CERAMIC, CHIP 0.01uF 10% 100V
C1174	1-163-137-00	s	CERAMIC, CHIP 680pF 5% 50V
C1175	1-163-251-11	s	CERAMIC, CHIP 100pF 5% 50V (2125)
C1176	1-163-251-11	s	CERAMIC, CHIP 100pF 5% 50V (2125)
C1177	1-163-037-11	s	CERAMIC, CHIP 0.022uF 10% 25V
C1178	*4 1-135-227-11	s	TANTALUM, CHIP 100uF 10% 6.3V
	(*1)1-135-179-21	s	TANTALUM, CHIP 2.2uF 10% 16V
C1179	*4 1-135-227-11	s	TANTALUM, CHIP 100uF 10% 6.3V
	(*1)1-135-179-21	s	TANTALUM, CHIP 2.2uF 10% 16V
C1182	*6 1-163-038-00	s	CERAMIC, CHIP 0.1uF 25V (2125)
C1183	1-163-037-11	s	CERAMIC, CHIP 0.022uF 10% 25V
C1184	*4 1-126-933-11	s	ELECT 100uF 20% 16V
C1185	*4 1-163-037-11	s	CERAMIC, CHIP 0.022uF 10% 25V
C1186	*4 1-135-161-21	s	TANTALUM, CHIP 22uF 10% 10V
C1187	*4 1-135-227-11	s	TANTALUM, CHIP 100uF 10% 6.3V
C1188	*4 1-135-227-11	s	TANTALUM, CHIP 100uF 10% 6.3V
C1190	*8 1-163-037-11	s	CERAMIC, CHIP 0.022uF 10% 25V
C1191	*8 1-163-037-11	s	CERAMIC, CHIP 0.022uF 10% 25V
C1192	*d 1-163-037-11	s	CERAMIC, CHIP 0.022uF 10% 25V
C1200	*9 1-163-137-00	s	CERAMIC, CHIP 680pF 5% 50V (2125)
C1202	*9 1-163-037-11	s	CERAMIC, CHIP 0.022uF 10% 25V
C1203	*9 1-163-137-00	s	CERAMIC, CHIP 680pF 5% 50V (2125)
C1204	*9 1-163-137-00	s	CERAMIC, CHIP 680pF 5% 50V (2125)
C1205	*9 1-163-037-11	s	CERAMIC, CHIP 0.022uF 10% 25V
C1225	*9 1-163-037-11	s	CERAMIC, CHIP 0.022uF 10% 25V
C1226	*9 1-163-037-11	s	CERAMIC, CHIP 0.022uF 10% 25V
CN113	1-573-600-21	s	CONNECTOR, PHEC 100P, MALE
CN114	1-573-600-21	s	CONNECTOR, PHEC 100P, MALE
CN115	1-573-600-21	s	CONNECTOR, PHEC 100P, MALE
CP500	1-760-263-11	s	VCO, CRYSTAL 35.468950 MHz
CP1000*b	1-760-268-11	s	VCO, CRYSTAL 17.734475 MHz
	*a 1-577-295-11	s	VCO, CRYSTAL 17.734475 MHz
CP1001	1-760-274-11	s	VCO, CRYSTAL 24.576 MHz
CP1002	1-760-275-11	s	VCO, CRYSTAL 27.0 MHz
D603	*4 8-719-023-69	s	DIODE SB007T03Q
D604	*4 8-719-023-69	s	DIODE SB007T03Q
D605-607	8-719-023-69	s	DIODE SB007T03Q
D750	8-719-941-23	s	DIODE DA204U
D751	*4 8-719-941-23	s	DIODE DA204U
D752-754	8-719-023-69	s	DIODE SB007T03Q
D1000	8-719-941-23	s	DIODE DA204U
D1002-1005	8-719-941-23	s	DIODE DA204U
D1006	*4 8-719-023-69	s	DIODE SB007T03Q
	*1 8-719-941-23	s	DIODE DA204U

\*1: Board No. suffix 21 only  
\*3: Board No. suffix 21 of 22  
\*4: Board No. suffix 22 and higher  
\*6: Board No. suffix 21, 22, of 23  
\*7: Board No. suffix 22 of 23  
\*8: Board No. suffix 23 of higher

(VPR-1B BOARD for DVW-510P, suffix 21 through 26)

Ref. No. or Q'ty	Part No.	SP	Description
D1007	*4 8-719-941-23	s	DIODE DA204U
D1009	*4 8-719-023-69	s	DIODE SB007T03Q
D1010	*4 8-719-023-69	s	DIODE SB007T03Q
D1011	*7 8-719-123-82	s	DIODE 1SS303
D1012	*7 8-719-123-82	s	DIODE 1SS303
FB307	1-543-644-21	s	BEAD, FERRITE, CHIP
FB308	1-543-644-21	s	BEAD, FERRITE, CHIP
FB500	1-543-309-21	s	BEAD, FERRITE
FB501	1-543-309-21	s	BEAD, FERRITE
FB502	1-543-622-11	s	BEAD, FERRITE, CHIP
FB505	1-543-644-21	s	BEAD, FERRITE, CHIP
FB506	1-543-644-21	s	BEAD, FERRITE, CHIP
FB1000-1003	1-543-309-21	s	BEAD, FERRITE
FB1004	*e 1-543-309-21	s	BEAD, FERRITE
FB1005	1-543-309-21	s	BEAD, FERRITE
FB1006	1-543-644-21	s	BEAD, FERRITE, CHIP
FB1007	1-543-644-21	s	BEAD, FERRITE, CHIP
FB1009	1-543-644-21	s	BEAD, FERRITE, CHIP
FB1010	1-543-644-21	s	BEAD, FERRITE, CHIP
FL304-318	1-239-719-11	s	FILTER, NOISE, CHIP
FL501-517	1-239-719-11	s	FILTER, NOISE, CHIP
FL600-604	1-239-721-11	s	FILTER, LOW-PASS
FL1000-1029	1-239-719-11	s	FILTER, NOISE, CHIP
IC307	8-759-175-79	s	IC CXD8818R
IC314	8-759-440-94	s	IC SN74LVT245ANS
IC315	8-759-440-94	s	IC SN74LVT245ANS
IC316	*4 8-759-196-93	s	IC TC7SH00FH
IC501	8-759-440-94	s	IC SN74LVT245ANS
IC504	8-759-247-03	s	IC CXD8810BQ
IC505	8-759-249-01	s	IC CXD8382BQ
IC506	8-752-306-51	s	IC CX23065A
IC507	8-759-030-16	s	IC MC34182M
IC508	8-759-440-94	s	IC SN74LVT245ANS
IC509	8-759-548-77	s	IC SN74LV245ANSR
IC510	8-759-548-77	s	IC SN74LV245ANSR
IC511	8-759-548-77	s	IC SN74LV245ANSR
IC512	8-759-517-31	s	IC S-8052ANY-NH
IC600	*4 8-759-052-52	s	IC L78M05T-FA
	*1 8-759-234-08	s	IC TA78L05F
IC601	*8 8-759-030-16	s	IC MC34182M
	*3 8-759-014-29	s	IC MC34184M
IC602	8-759-014-29	s	IC MC34184M
IC603	8-752-357-63	s	IC CXD2308Q
IC604	*4 8-759-822-95	s	IC L79M05T-FA
	*1 8-759-045-17	s	IC NJM79L05UA
IC605	8-759-907-81	s	IC SN74LS221NS

\*9: Board No. suffix 24 of higher  
\*a: LOT No. 307 through 402  
\*b: LOT No. 403 of higher  
\*d: Board No. suffix 25 of higher  
\*e: Board No. suffix 21, 22, 23 of 24  
(\*?): Some mounted circuit boards within specified "\*?"

(VPR-1B BOARD for DVW-510P, suffix 21 through 26)

Ref. No. or Q'ty	Part No.	SP	Description
IC606	8-759-030-16	s	IC MC34182M
IC607	8-759-030-16	s	IC MC34182M
IC608	*4 8-759-082-61	s	IC TC4W53FU
	*1 8-759-300-71	s	IC HD14053BFP
IC609	*4 8-759-052-52	s	IC L78M05T-FA
	*1 8-759-234-08	s	IC TA78L05F
IC610	8-752-357-63	s	IC CXD2308Q
IC611	*4 8-759-822-95	s	IC L79M05T-FA
	*1 8-759-045-17	s	IC NJM79L05UA
IC612	8-759-030-16	s	IC MC34182M
IC613	*4 8-759-082-61	s	IC TC4W53FU
	*1 8-759-300-71	s	IC HD14053BFP
IC614	8-752-052-77	s	IC CXA1450M
IC615	8-759-082-58	s	IC TC7W08FU
IC616	*1 8-759-169-45	s	IC TA78L12F
IC617	*1 8-759-030-61	s	IC TL431CM
IC618	*1 8-759-030-61	s	IC TL431CM
IC619	8-759-030-61	s	IC TL431CM
IC620	*1 8-759-030-61	s	IC TL431CM
IC621	8-759-030-61	s	IC TL431CM
IC622	*1 8-759-169-45	s	IC TA78L12F
IC623	8-759-030-16	s	IC MC34182M
IC624	8-759-030-16	s	IC MC34182M
IC625	*4 8-759-098-16	s	IC LT1227CS8
IC626	*4 8-759-271-04	s	IC LT1252CS8
IC627	*4 8-759-098-16	s	IC LT1227CS8
IC628	*4 8-759-271-04	s	IC LT1252CS8
IC629	*4 8-759-098-16	s	IC LT1227CS8
IC630	*4 8-759-271-04	s	IC LT1252CS8
IC631	*4 8-759-098-16	s	IC LT1227CS8
IC632	*4 8-759-271-04	s	IC LT1252CS8
IC633	*4 8-759-098-16	s	IC LT1227CS8
IC634	*4 8-759-271-04	s	IC LT1252CS8
IC635	*4 8-759-082-61	s	IC TC4W53FU
IC636	*4 8-759-082-61	s	IC TC4W53FU
IC637	*4 8-759-082-61	s	IC TC4W53FU
IC750	8-759-673-45	s	IC MM74HC08SJX
IC751	8-759-052-52	s	IC L78M05T-FA
IC752	8-759-940-45	s	IC S-8054HN-CB-S
IC753	8-759-431-01	s	IC UPD78014GC-763-AB8
IC754	*9 8-759-430-21	s	IC MSM6524GS-KR1
IC756	8-759-082-57	s	IC TC7W04FU
IC757	8-759-269-09	s	IC SN74HCT04ANS
IC758	8-759-277-19	s	IC UPD485505G-35
IC759	8-759-277-19	s	IC UPD485505G-35
IC760	8-759-277-19	s	IC UPD485505G-35
IC761	8-759-440-94	s	IC SN74LVT245ANS
IC762	8-759-269-09	s	IC SN74HCT04ANS
IC1000	8-759-052-52	s	IC L78M05T-FA
IC1001	8-759-045-17	s	IC NJM79L05UA
IC1002	8-759-239-58	s	IC TC74HC221AF
IC1003	*9 8-759-195-02	s	IC TC7S86F
	*6 8-759-195-81	s	IC TC7S86FU
IC1004	8-759-234-08	s	IC TA78L05F
IC1006	8-759-014-29	s	IC MC34184M

-----  
 \*1: Board No. suffix 21 only  
 \*4: Board No. suffix 22 and higher  
 \*6: Board No. suffix 21, 22, of 23

(VPR-1B BOARD for DVW-510P, suffix 21 through 26)

Ref. No. or Q'ty	Part No.	SP	Description
IC1007	8-759-300-71	s	IC HD14053BFP
IC1008	8-759-926-15	s	IC SN74HC151ANS
IC1009	8-759-907-81	s	IC SN74LS221NS
IC1010	8-759-987-27	s	IC LM1881M
IC1011	8-759-262-03	s	IC MC14577CF
IC1012	8-759-262-03	s	IC MC14577CF
IC1013	8-759-702-08	s	IC NJM360M
IC1014	8-759-045-17	s	IC NJM79L05UA
IC1015	8-759-030-16	s	IC MC34182M
IC1016	8-759-925-05	s	IC LM2903PS
IC1017	8-759-702-08	s	IC NJM360M
IC1018	*4 8-759-234-77	s	IC TC4S66F
IC1019	8-759-175-66	s	IC CXD8817Q
IC1020	8-759-014-29	s	IC MC34184M
IC1021	8-759-907-81	s	IC SN74LS221NS
IC1022	8-759-907-81	s	IC SN74LS221NS
IC1023	8-759-082-57	s	IC TC7W04FU
IC1024	8-759-907-81	s	IC SN74LS221NS
IC1025	8-752-334-64	s	IC CXD1171M
IC1026	8-759-440-94	s	IC SN74LVT245ANS
IC1027	8-752-306-51	s	IC CX23065A
IC1028	8-759-925-05	s	IC LM2903PS
IC1029	8-759-030-16	s	IC MC34182M
IC1030	8-759-702-08	s	IC NJM360M
IC1031	8-752-334-64	s	IC CXD1171M
IC1032	8-759-175-65	s	IC CXD8821Q
IC1033	8-759-702-08	s	IC NJM360M
IC1034	*4 8-759-082-61	s	IC TC4W53FU
	*1 8-759-300-71	s	IC HD14053BFP
IC1035	8-759-986-32	s	IC 74ACT244SJ
IC1036	-1041		
	8-759-440-94	s	IC SN74LVT245ANS
IC1042	8-759-987-82	s	IC 74AC00SJ
IC1043	8-759-672-91	s	IC MM74HC163SJX
IC1044	8-759-030-16	s	IC MC34182M
IC1045	*4 8-759-014-29	s	IC MC34184M
	*1 8-759-030-16	s	IC MC34182M
IC1046	8-759-082-57	s	IC TC7W04FU
IC1047	8-759-985-26	s	IC 74AC74SJ
IC1048	*4 8-759-082-57	s	IC TC7W04FU
IC1049	8-759-234-20	s	IC TC7S08F
IC1050	8-759-926-15	s	IC SN74HC151ANS
IC1051	*4 8-759-184-64	s	IC TC4W66FU
	*1 8-759-234-77	s	IC TC4S66F
IC1052	8-759-082-61	s	IC TC4W53FU
IC1053	8-759-035-93	s	IC SC7S32F
IC1054	8-759-234-77	s	IC TC4S66F
IC1057	*8 8-759-985-36	s	IC 74AC157SJ
IC1058	*8 8-759-985-36	s	IC 74AC157SJ
IC1192	*9 8-759-239-58	s	IC TC74HC221AF
IC1193	*9 8-759-239-55	s	IC TC74HC123AF
IC1194	*9 8-759-035-93	s	IC SC7S32F
IC1196	*9 8-759-082-59	s	IC TC7W32FU
IC1197	*9 8-759-082-58	s	IC TC7W08FU
IC1198	*9 8-759-038-46	s	IC SC7S00F

-----  
 \*8: Board No. suffix 23 of higher  
 \*9: Board No. suffix 24 of higher

(VPR-1B BOARD for DVW-510P, suffix 21 through 26)

Ref. No. or Q'ty	Part No.	SP	Description
L309	1-410-803-31	s	INDUCTOR, CHIP 0.047uH
L310	1-410-803-31	s	INDUCTOR, CHIP 0.047uH
L500	1-410-803-31	s	INDUCTOR, CHIP 0.047uH
L501	1-410-803-31	s	INDUCTOR, CHIP 0.047uH
L504	1-410-393-11	s	INDUCTOR, CHIP 100uH
L505-507	1-410-803-31	s	INDUCTOR, CHIP 0.047uH
L508	*4 1-410-393-11	s	INDUCTOR, CHIP 100uH
L509	*4 1-410-393-11	s	INDUCTOR, CHIP 100uH
L600	*4 1-412-164-11	s	INDUCTOR, CHIP 0.12uH
	*1 1-412-139-11	s	INDUCTOR, CHIP 0.22uH
L601	*4 1-412-193-11	s	INDUCTOR, CHIP 68uH
	*1 1-412-192-11	s	INDUCTOR, CHIP 56uH
L603	*4 1-412-191-11	s	INDUCTOR, CHIP 47uH
	*1 1-412-194-11	s	INDUCTOR, CHIP 82uH
L605	*4 1-412-191-11	s	INDUCTOR, CHIP 47uH
	*1 1-412-194-11	s	INDUCTOR, CHIP 82uH
L606	*4 1-412-164-11	s	INDUCTOR, CHIP 0.12uH
	*1 1-412-139-11	s	INDUCTOR, CHIP 0.22uH
L607	*4 1-412-193-11	s	INDUCTOR, CHIP 68uH
	*1 1-412-192-11	s	INDUCTOR, CHIP 56uH
L608	*4 1-412-164-11	s	INDUCTOR, CHIP 0.12uH
	*1 1-412-139-11	s	INDUCTOR, CHIP 0.22uH
L609	*4 1-412-193-11	s	INDUCTOR, CHIP 68uH
	*1 1-412-192-11	s	INDUCTOR, CHIP 56uH
L616	1-410-387-11	s	INDUCTOR, CHIP 33uH
L750	1-412-526-11	s	INDUCTOR 12uH
L751	*1 1-412-526-11	s	INDUCTOR 12uH
L752	1-412-526-11	s	INDUCTOR 12uH
L753	*1 1-412-526-11	s	INDUCTOR 12uH
L754	1-412-526-11	s	INDUCTOR 12uH
L755	1-412-526-11	s	INDUCTOR 12uH
L756	*1 1-412-526-11	s	INDUCTOR 12uH
L757	1-412-526-11	s	INDUCTOR 12uH
L1000	1-412-138-11	s	INDUCTOR, CHIP 100uH
L1003	1-410-393-11	s	INDUCTOR, CHIP 100uH
L1004	1-410-393-11	s	INDUCTOR, CHIP 100uH
L1005	1-410-393-11	s	INDUCTOR, CHIP 100uH
L1007	1-412-143-11	s	INDUCTOR, CHIP 39uH
L1008	1-412-188-11	s	INDUCTOR, CHIP 22uH
L1010	1-410-393-11	s	INDUCTOR, CHIP 100uH
L1011	*4 1-410-393-11	s	INDUCTOR, CHIP 100uH
L1012	1-412-137-11	s	INDUCTOR, CHIP 10uH
L1013	1-412-137-11	s	INDUCTOR, CHIP 10uH
L1014	1-410-393-11	s	INDUCTOR, CHIP 100uH
L1016-1019	1-412-191-11	s	INDUCTOR, CHIP 47uH
L1020-1024	1-410-803-31	s	INDUCTOR, CHIP 0.047uH
PS100	△ 1-533-348-11	s	LINK, IC, CHIP 4A
Q600	8-729-140-63	s	TRANSISTOR 2SA1611-M5M6

-----  
 \*1: Board No. suffix 21 only  
 \*3: Board No. suffix 21 of 22  
 \*4: Board No. suffix 22 and higher

(VPR-1B BOARD for DVW-510P, suffix 21 through 26)

Ref. No. or Q'ty	Part No.	SP	Description
Q601	*4 8-729-117-32	s	TRANSISTOR 2SC4177-L6
	*1 8-729-140-63	s	TRANSISTOR 2SA1611-M5M6
Q602	8-729-140-63	s	TRANSISTOR 2SA1611-M5M6
Q603	*4 8-729-117-32	s	TRANSISTOR 2SC4177-L6
	*1 8-729-140-63	s	TRANSISTOR 2SA1611-M5M6
Q604	8-729-140-63	s	TRANSISTOR 2SA1611-M5M6
Q605	*4 8-729-117-32	s	TRANSISTOR 2SC4177-L6
	*1 8-729-140-63	s	TRANSISTOR 2SA1611-M5M6
Q606	8-729-140-63	s	TRANSISTOR 2SA1611-M5M6
Q607	*4 8-729-117-32	s	TRANSISTOR 2SC4177-L6
	*1 8-729-140-63	s	TRANSISTOR 2SA1611-M5M6
Q608	8-729-140-63	s	TRANSISTOR 2SA1611-M5M6
Q609	*4 8-729-117-32	s	TRANSISTOR 2SC4177-L6
	*1 8-729-140-63	s	TRANSISTOR 2SA1611-M5M6
Q610-619	*1 8-729-140-63	s	TRANSISTOR 2SA1611-M5M6
Q750	8-729-140-63	s	TRANSISTOR 2SA1611-M5M6
Q1000	8-729-140-63	s	TRANSISTOR 2SA1611-M5M6
Q1001	8-729-140-63	s	TRANSISTOR 2SA1611-M5M6
Q1002	8-729-143-07	s	TRANSISTOR 2SA1610-Y33
Q1003	8-729-143-07	s	TRANSISTOR 2SA1610-Y33
Q1004	8-729-140-63	s	TRANSISTOR 2SA1611-M5M6
Q1005	8-729-140-63	s	TRANSISTOR 2SA1611-M5M6
Q1006	8-729-140-63	s	TRANSISTOR 2SA1611-M5M6
Q1008	*4 8-729-117-32	s	TRANSISTOR 2SC4177-L6
Q1009	*4 8-729-140-63	s	TRANSISTOR 2SA1611-M5M6
Q1010	*4 8-729-117-32	s	TRANSISTOR 2SC4177-L6
Q1011	*4 8-729-117-32	s	TRANSISTOR 2SC4177-L6
	*1 8-729-907-26	s	TRANSISTOR IMX1
Q1012	8-729-117-32	s	TRANSISTOR 2SC4177-L6
Q1013	*7 8-729-905-12	s	TRANSISTOR DTA144EU
R354	1-216-295-00	s	METAL, CHIP 0 (2125)
R406	1-216-295-00	s	METAL, CHIP 0 (2125)
R407	1-216-049-00	s	METAL, CHIP 1.0K 5% 1/10W (2125)
R408	*4 1-216-655-11	s	METAL, CHIP 1.5K 0.5% 1/10W (2125)
R409	1-216-049-00	s	METAL, CHIP 1.0K 5% 1/10W (2125)
R493	*8 1-216-025-00	s	METAL, CHIP 100 5% 1/10W (2125)
	*3 1-216-295-00	s	METAL, CHIP 0 (2125)
R500	1-216-295-00	s	METAL, CHIP 0 (2125)
R501	1-216-295-00	s	METAL, CHIP 0 (2125)
R502	1-216-295-00	s	METAL, CHIP 0 (2125)
R503	*4 1-216-017-00	s	METAL, CHIP 47 5% 1/10W (2125)
	*1 1-216-295-00	s	METAL, CHIP 0 (2125)
R504	*4 1-216-295-00	s	METAL, CHIP 0 (2125)
	*1 1-216-295-00	s	METAL, CHIP 0 (2125)
R505	*4 1-216-295-00	s	METAL, CHIP 0 (2125)
R517	*9 1-216-295-00	s	METAL, CHIP 0 (2125)
R521	*9 1-216-295-00	s	METAL, CHIP 0 (2125)
R524	*9 1-216-295-00	s	METAL, CHIP 0 (2125)
R527	*4 1-216-689-11	s	METAL, CHIP 39K 0.5% 1/10W (2125)
R528	*4 1-208-784-11	s	METAL, CHIP 1.2K 0.5% 1/10W (2125)
R529	*4 1-208-784-11	s	METAL, CHIP 1.2K 0.5% 1/10W (2125)

-----  
 \*7: Board No. suffix 22 of 23  
 \*8: Board No. suffix 23 of higher  
 \*9: Board No. suffix 24 of higher

(VPR-1B BOARD for DVW-510P, suffix 21 through 26)

(VPR-1B BOARD for DVW-510P, suffix 21 through 26)

Ref. No. or Q'ty	Part No.	SP Description
R530	*4 1-216-667-11	s METAL, CHIP 4.7K 0.5% 1/10W
R531	*4 1-216-631-11	s METAL, CHIP 150 0.5% 1/10W (2125)
R532	*4 1-208-785-11	s METAL, CHIP 1.3K 0.5% 1/10W
R533	*4 1-208-789-11	s METAL, CHIP 2.0K 0.5% 1/10W
R534	*4 1-216-649-11	s METAL, CHIP 820 0.5% 1/10W (2125)
R535	*4 1-208-784-11	s METAL, CHIP 1.2K 0.5% 1/10W
R536	*4 1-216-657-11	s METAL, CHIP 1.8K 0.5% 1/10W
R537	*4 1-216-689-11	s METAL, CHIP 39K 0.5% 1/10W
R538	*4 1-216-667-11	s METAL, CHIP 4.7K 0.5% 1/10W
R539	*4 1-216-631-11	s METAL, CHIP 150 0.5% 1/10W (2125)
R540	*4 1-208-785-11	s METAL, CHIP 1.3K 0.5% 1/10W
R541	*4 1-216-649-11	s METAL, CHIP 820 0.5% 1/10W (2125)
R542	*4 1-208-784-11	s METAL, CHIP 1.2K 0.5% 1/10W
R543	1-216-295-00	s METAL, CHIP 0 (2125)
R545	1-216-017-00	s METAL, CHIP 47 5% 1/10W (2125)
R546	1-216-017-00	s METAL, CHIP 47 5% 1/10W (2125)
R548	1-216-017-00	s METAL, CHIP 47 5% 1/10W (2125)
R549	1-216-017-00	s METAL, CHIP 47 5% 1/10W (2125)
R550	*4 1-216-295-00	s METAL, CHIP 0 (2125)
	*1 1-216-073-00	s METAL, CHIP 10K 5% 1/10W (2125)
R553	*4 1-216-295-00	s METAL, CHIP 0 (2125)
	*1 1-216-073-00	s METAL, CHIP 10K 5% 1/10W (2125)
R554	1-216-017-00	s METAL, CHIP 47 5% 1/10W (2125)
R557-560	1-216-017-00	s METAL, CHIP 47 5% 1/10W (2125)
R561	1-216-667-11	s METAL, CHIP 4.7K 0.5% 1/10W
R562	1-216-073-00	s METAL, CHIP 10K 5% 1/10W (2125)
R563	1-216-073-00	s METAL, CHIP 10K 5% 1/10W (2125)
R564	*8 1-216-073-00	s METAL, CHIP 10K 5% 1/10W (2125)
	*3 1-216-651-11	s METAL, CHIP 1.0K 0.5% 1/10W
R565	1-216-121-00	s METAL, CHIP 1.0M 5% 1/10W (2125)
R566	1-216-025-00	s METAL, CHIP 100 5% 1/10W (2125)
R567	1-216-295-00	s METAL, CHIP 0 (2125)
R570	1-216-025-00	s METAL, CHIP 100 5% 1/10W (2125)
R572	*4 1-216-667-11	s METAL, CHIP 4.7K 0.5% 1/10W
R573	*4 1-216-631-11	s METAL, CHIP 150 0.5% 1/10W
R574	*4 1-208-785-11	s METAL, CHIP 1.3K 0.5% 1/10W
R575	*4 1-208-789-11	s METAL, CHIP 2.0K 0.5% 1/10W
R576	*4 1-216-649-11	s METAL, CHIP 820 0.5% 1/10W
R577	*4 1-208-784-11	s METAL, CHIP 1.2K 0.5% 1/10W
R578	*4 1-216-689-11	s METAL, CHIP 39K 0.5% 1/10W (2125)
R579	*4 1-216-667-11	s METAL, CHIP 4.7K 0.5% 1/10W
R580	*4 1-216-631-11	s METAL, CHIP 150 0.5% 1/10W (2125)
R581	*4 1-208-785-11	s METAL, CHIP 1.3K 0.5% 1/10W
R582	*4 1-208-789-11	s METAL, CHIP 2.0K 0.5% 1/10W
R583	*4 1-216-649-11	s METAL, CHIP 820 0.5% 1/10W (2125)
R584	1-216-073-00	s METAL, CHIP 10K 5% 1/10W (2125)
R585	*4 1-208-784-11	s METAL, CHIP 1.2K 0.5% 1/10W
R586	*4 1-208-817-11	s METAL, CHIP 30K 0.5% 1/10W (2125)
R587	*4 1-216-667-11	s METAL, CHIP 4.7K 0.5% 1/10W
R588	*4 1-216-631-11	s METAL, CHIP 150 0.5% 1/10W (2125)
R589	*4 1-208-785-11	s METAL, CHIP 1.3K 0.5% 1/10W
R590	*4 1-216-649-11	s METAL, CHIP 820 0.5% 1/10W (2125)
R591	*4 1-208-784-11	s METAL, CHIP 1.2K 0.5% 1/10W
R592	*4 1-208-789-11	s METAL, CHIP 2.0K 0.5% 1/10W
R593	*4 1-216-073-00	s METAL, CHIP 10K 5% 1/10W (2125)

-----  
 \*1: Board No. suffix 21 only  
 \*3: Board No. suffix 21 of 22

Ref. No. or Q'ty	Part No.	SP Description
R597	*4 1-216-657-11	s METAL, CHIP 1.8K 0.5% 1/10W (2125)
	*1 1-216-057-00	s METAL, CHIP 2.2K 5% 1/10W (2125)
R598	*4 1-208-789-11	s METAL, CHIP 2.0K 0.5% 1/10W (2125)
	*1 1-216-057-00	s METAL, CHIP 2.2K 5% 1/10W (2125)
R600	*4 1-208-784-11	s METAL, CHIP 1.2K 0.5% 1/10W (2125)
	*1 1-216-659-11	s METAL, CHIP 2.2K 0.5% 1/10W (2125)
R601	*4 1-208-784-11	s METAL, CHIP 1.2K 0.5% 1/10W (2125)
	*1 1-216-661-11	s METAL, CHIP 2.7K 0.5% 1/10W (2125)
R602	*4 1-208-784-11	s METAL, CHIP 1.2K 0.5% 1/10W (2125)
	*1 1-216-659-11	s METAL, CHIP 2.2K 0.5% 1/10W (2125)
R603-605		
	*4 1-208-784-11	s METAL, CHIP 1.2K 0.5% 1/10W (2125)
	*1 1-216-661-11	s METAL, CHIP 2.7K 0.5% 1/10W (2125)
R606	*8 1-216-675-11	s METAL, CHIP 10K 0.5% 1/10W (2125)
	*3 1-216-671-11	s METAL, CHIP 6.8K 0.5% 1/10W (2125)
R607	*3 1-216-663-11	s METAL, CHIP 3.3K 0.5% 1/10W (2125)
R608	*3 1-216-663-11	s METAL, CHIP 3.3K 0.5% 1/10W (2125)
R609	*8 1-216-675-11	s METAL, CHIP 10K 0.5% 1/10W (2125)
	*3 1-216-671-11	s METAL, CHIP 6.8K 0.5% 1/10W (2125)
R610	*8 1-216-651-11	s METAL, CHIP 1.0K 0.5% 1/10W (2125)
	*3 1-216-659-11	s METAL, CHIP 2.2K 0.5% 1/10W (2125)
R611	*3 1-216-661-11	s METAL, CHIP 2.7K 0.5% 1/10W (2125)
R612	*8 1-216-675-11	s METAL, CHIP 10K 0.5% 1/10W (2125)
	*3 1-216-671-11	s METAL, CHIP 6.8K 0.5% 1/10W (2125)
R613	*3 1-216-661-11	s METAL, CHIP 2.7K 0.5% 1/10W (2125)
R614	*3 1-216-663-11	s METAL, CHIP 3.3K 0.5% 1/10W (2125)
R615	1-216-657-11	s METAL, CHIP 1.8K 0.5% 1/10W (2125)
R616	1-208-784-11	s METAL, CHIP 1.2K 0.5% 1/10W (2125)
R617	1-216-657-11	s METAL, CHIP 1.8K 0.5% 1/10W (2125)
R618	*4 1-216-651-11	s METAL, CHIP 1.0K 0.5% 1/10W (2125)
	*1 1-216-057-00	s METAL, CHIP 2.2K 5% 1/10W (2125)
R619	*4 1-216-617-11	s METAL, CHIP 39 0.5% 1/10W (2125)
	*1 1-216-631-11	s METAL, CHIP 150 0.5% 1/10W (2125)
R620-622	1-216-631-11	s METAL, CHIP 150 0.5% 1/10W (2125)
R623	*4 1-216-603-11	s METAL, CHIP 10 0.5% 1/10W (2125)
	*1 1-216-607-11	s METAL, CHIP 15 0.5% 1/10W (2125)
R624	*4 1-216-613-11	s METAL, CHIP 27 0.5% 1/10W (2125)
	*1 1-216-608-11	s METAL, CHIP 16 0.5% 1/10W (2125)
R625	*4 1-216-661-11	s METAL, CHIP 2.7K 0.5% 1/10W (2125)
	*1 1-208-789-11	s METAL, CHIP 2.0K 0.5% 1/10W (2125)
R626	*4 1-216-049-00	s METAL, CHIP 1.0K 5% 1/10W (2125)
	*1 1-216-647-11	s METAL, CHIP 680 0.5% 1/10W (2125)
R627	*4 1-216-666-11	s METAL, CHIP 4.3K 0.5% 1/10W (2125)
	*1 1-216-647-11	s METAL, CHIP 680 0.5% 1/10W (2125)
R628	*4 1-208-801-11	s METAL, CHIP 6.2K 0.5% 1/10W (2125)
	*1 1-216-667-11	s METAL, CHIP 4.7K 0.5% 1/10W (2125)
R629	1-216-685-11	s METAL, CHIP 27K 0.5% 1/10W (2125)
R630	*4 1-216-625-11	s METAL, CHIP 82 0.5% 1/10W (2125)
	*1 1-216-675-11	s METAL, CHIP 10K 0.5% 1/10W (2125)

-----  
 \*4: Board No. suffix 22 and higher  
 \*8: Board No. suffix 23 of higher



(VPR-1B BOARD for DVW-510P, suffix 21 through 26)

Ref. No. or Q'ty	Part No.	SP	Description
R631	*4 1-216-295-00	s	METAL, CHIP 0 (2125)
	*1 1-216-057-00	s	METAL, CHIP 2.2K 5% 1/10W (2125)
R632	*4 1-216-651-11	s	METAL, CHIP 1.0K 0.5% 1/10W
	*1 1-216-057-00	s	METAL, CHIP 2.2K 5% 1/10W (2125)
R633	*4 1-216-617-11	s	METAL, CHIP 39 0.5% 1/10W (2125)
	*1 1-216-631-11	s	METAL, CHIP 150 0.5% 1/10W (2125)
R634-636	1-216-631-11	s	METAL, CHIP 150 0.5% 1/10W
R637	*4 1-216-603-11	s	METAL, CHIP 10 0.5% 1/10W (2125)
	*1 1-216-607-11	s	METAL, CHIP 15 0.5% 1/10W (2125)
R638	*4 1-216-049-00	s	METAL, CHIP 1.0K 5% 1/10W (2125)
	*1 1-216-635-11	s	METAL, CHIP 220 0.5% 1/10W (2125)
R639	*4 1-208-789-11	s	METAL, CHIP 2.0K 0.5% 1/10W
	*1 1-216-661-11	s	METAL, CHIP 2.7K 0.5% 1/10W
R640	*4 1-208-801-11	s	METAL, CHIP 6.2K 0.5% 1/10W
	*1 1-216-647-11	s	METAL, CHIP 680 0.5% 1/10W (2125)
R641	*4 1-216-666-11	s	METAL, CHIP 4.3K 0.5% 1/10W
	*1 1-216-647-11	s	METAL, CHIP 680 0.5% 1/10W (2125)
R642	*4 1-216-679-11	s	METAL, CHIP 15K 0.5% 1/10W (2125)
R643-645			
	*4 1-216-133-00	s	METAL, CHIP 3.3M 5% 1/10W (2125)
	*1 1-216-113-00	s	METAL, CHIP 470K 5% 1/10W (2125)
R646	1-216-049-00	s	METAL, CHIP 1.0K 5% 1/10W (2125)
R647-649			
	*4 1-216-069-00	s	METAL, CHIP 6.8K 5% 1/10W (2125)
	*1 1-216-049-00	s	METAL, CHIP 1.0K 5% 1/10W (2125)
R650	1-216-049-00	s	METAL, CHIP 1.0K 5% 1/10W (2125)
R651	1-216-049-00	s	METAL, CHIP 1.0K 5% 1/10W (2125)
R652	*4 1-216-049-00	s	METAL, CHIP 1.0K 5% 1/10W (2125)
R652A	*1 1-214-557-00	s	METAL 1.0K 1% 1/8W
R653	1-216-049-00	s	METAL, CHIP 1.0K 5% 1/10W (2125)
R654	1-216-049-00	s	METAL, CHIP 1.0K 5% 1/10W (2125)
R655	*4 1-216-625-11	s	METAL, CHIP 82 0.5% 1/10W (2125)
	*1 1-216-667-11	s	METAL, CHIP 4.7K 0.5% 1/10W
R656	*4 1-216-295-00	s	METAL, CHIP 0 (2125)
	*1 1-216-675-11	s	METAL, CHIP 10K 0.5% 1/10W (2125)
R657	*1 1-216-057-00	s	METAL, CHIP 2.2K 5% 1/10W (2125)
R658	*4 1-216-651-11	s	METAL, CHIP 1.0K 0.5% 1/10W
	*1 1-216-659-11	s	METAL, CHIP 2.2K 0.5% 1/10W
R659	*4 1-216-617-11	s	METAL, CHIP 39 0.5% 1/10W (2125)
	*1 1-216-631-11	s	METAL, CHIP 150 0.5% 1/10W (2125)
R660	1-216-631-11	s	METAL, CHIP 150 0.5% 1/10W (2125)
R661-663	1-216-017-00	s	METAL, CHIP 47 5% 1/10W (2125)
R664	*4 1-216-619-11	s	METAL, CHIP 47 0.5% 1/10W (2125)
	*1 1-216-295-00	s	METAL, CHIP 0 (2125)
R665	*4 1-216-619-11	s	METAL, CHIP 47 0.5% 1/10W (2125)
	*1 1-216-615-11	s	METAL, CHIP 33 0.5% 1/10W (2125)
R666	*4 1-216-619-11	s	METAL, CHIP 47 0.5% 1/10W (2125)
	*1 1-216-615-11	s	METAL, CHIP 33 0.5% 1/10W (2125)
R667	*4 1-208-784-11	s	METAL, CHIP 1.2K 0.5% 1/10W
	*1 1-216-659-11	s	METAL, CHIP 2.2K 0.5% 1/10W

-----  
 \*1: Board No. suffix 21 only  
 \*2: Board No. suffix 22 only  
 \*3: Board No. suffix 21 of 22

(VPR-1B BOARD for DVW-510P, suffix 21 through 26)

Ref. No. or Q'ty	Part No.	SP	Description
R668	*4 1-208-784-11	s	METAL, CHIP 1.2K 0.5% 1/10W (2125)
	*1 1-216-661-11	s	METAL, CHIP 2.7K 0.5% 1/10W (2125)
R669	*8 1-216-651-11	s	METAL, CHIP 1.0K 0.5% 1/10W (2125)
	*3 1-216-659-11	s	METAL, CHIP 2.2K 0.5% 1/10W (2125)
R670	*3 1-216-661-11	s	METAL, CHIP 2.7K 0.5% 1/10W (2125)
R671	*4 1-216-689-11	s	METAL, CHIP 39K 0.5% 1/10W (2125)
	*1 1-216-661-11	s	METAL, CHIP 2.7K 0.5% 1/10W (2125)
R672	*3 1-216-661-11	s	METAL, CHIP 2.7K 0.5% 1/10W (2125)
R673	*8 1-216-675-11	s	METAL, CHIP 10K 0.5% 1/10W (2125)
	*3 1-218-772-11	s	METAL, CHIP 680K 0.5% 1/10W (2125)
R674	*8 1-216-675-11	s	METAL, CHIP 10K 0.5% 1/10W (2125)
	*3 1-218-772-11	s	METAL, CHIP 680K 0.5% 1/10W (2125)
R675	*2 1-218-764-11	s	METAL, CHIP 330K 0.5% 1/10W (2125)
	*1 1-216-663-11	s	METAL, CHIP 3.3K 0.5% 1/10W (2125)
R677	1-216-665-11	s	METAL, CHIP 3.9K 0.5% 1/10W (2125)
R678-681	1-208-784-11	s	METAL, CHIP 1.2K 0.5% 1/10W (2125)
R682	1-216-631-11	s	METAL, CHIP 150 0.5% 1/10W (2125)
R683	1-216-631-11	s	METAL, CHIP 150 0.5% 1/10W (2125)
R684	*4 1-216-603-11	s	METAL, CHIP 10 0.5% 1/10W (2125)
	*1 1-216-607-11	s	METAL, CHIP 15 0.5% 1/10W (2125)
R685	*4 1-216-049-00	s	METAL, CHIP 1.0K 5% 1/10W (2125)
	*1 1-216-635-11	s	METAL, CHIP 220 0.5% 1/10W (2125)
R676	*2 1-218-764-11	s	METAL, CHIP 330K 0.5% 1/10W (2125)
	*1 1-216-663-11	s	METAL, CHIP 3.3K 0.5% 1/10W (2125)
R686	*4 1-208-789-11	s	METAL, CHIP 2.0K 0.5% 1/10W (2125)
	*1 1-216-661-11	s	METAL, CHIP 2.7K 0.5% 1/10W (2125)
R687	*4 1-208-801-11	s	METAL, CHIP 6.2K 0.5% 1/10W (2125)
	*1 1-216-647-11	s	METAL, CHIP 680 0.5% 1/10W (2125)
R688	*4 1-216-666-11	s	METAL, CHIP 4.3K 0.5% 1/10W (2125)
	*1 1-216-647-11	s	METAL, CHIP 680 0.5% 1/10W (2125)
R689	*4 1-216-625-11	s	METAL, CHIP 82 0.5% 1/10W (2125)
	*1 1-216-667-11	s	METAL, CHIP 4.7K 0.5% 1/10W (2125)
R690	*4 1-216-295-00	s	METAL, CHIP 0 (2125)
	*1 1-216-675-11	s	METAL, CHIP 10K 0.5% 1/10W (2125)
R691	*1 1-216-057-00	s	METAL, CHIP 2.2K 5% 1/10W (2125)
R692	*4 1-216-651-11	s	METAL, CHIP 1.0K 0.5% 1/10W (2125)
	*1 1-216-659-11	s	METAL, CHIP 2.2K 0.5% 1/10W (2125)
R693	*4 1-216-617-11	s	METAL, CHIP 39 0.5% 1/10W (2125)
	*1 1-216-631-11	s	METAL, CHIP 150 0.5% 1/10W (2125)
R694-696	1-216-631-11	s	METAL, CHIP 150 0.5% 1/10W (2125)
R697	*4 1-216-603-11	s	METAL, CHIP 10 0.5% 1/10W (2125)
	*1 1-216-607-11	s	METAL, CHIP 15 0.5% 1/10W (2125)
R698	*4 1-216-613-11	s	METAL, CHIP 27 0.5% 1/10W (2125)
	*1 1-216-608-11	s	METAL, CHIP 16 0.5% 1/10W (2125)
R699	*4 1-216-661-11	s	METAL, CHIP 2.7K 0.5% 1/10W (2125)
	*1 1-208-789-11	s	METAL, CHIP 2.0K 0.5% 1/10W (2125)
R700	*4 1-216-049-00	s	METAL, CHIP 1.0K 5% 1/10W (2125)
	*1 1-216-647-11	s	METAL, CHIP 680 0.5% 1/10W (2125)

-----  
 \*4: Board No. suffix 22 and higher  
 \*8: Board No. suffix 23 of higher

(VPR-1B BOARD for DVW-510P, suffix 21 through 26)

(VPR-1B BOARD for DVW-510P, suffix 21 through 26)

Ref. No. or Q'ty	Part No.	SP Description
R701	*4 1-208-801-11	s METAL, CHIP 6.2K 0.5% 1/10W
	*1 1-216-647-11	s METAL, CHIP 680 0.5% 1/10W (2125)
R702	*4 1-216-666-11	s METAL, CHIP 4.3K 0.5% 1/10W
	*1 1-216-667-11	s METAL, CHIP 4.7K 0.5% 1/10W
R703	*4 1-216-619-11	s METAL, CHIP 47 0.5% 1/10W (2125)
	*1 1-216-675-11	s METAL, CHIP 10K 0.5% 1/10W (2125)
R705	*4 1-216-133-00	s METAL, CHIP 3.3M 5% 1/10W (2125)
	*1 1-216-113-00	s METAL, CHIP 470K 5% 1/10W (2125)
R706	*4 1-216-133-00	s METAL, CHIP 3.3M 5% 1/10W (2125)
	*1 1-216-113-00	s METAL, CHIP 470K 5% 1/10W (2125)
R707	*4 1-216-616-11	s METAL, CHIP 36 0.5% 1/10W (2125)
	*1 1-216-057-00	s METAL, CHIP 2.2K 5% 1/10W (2125)
R708	1-216-049-00	s METAL, CHIP 1.0K 5% 1/10W (2125)
R709	*4 1-216-069-00	s METAL, CHIP 6.8K 5% 1/10W (2125)
	*1 1-216-049-00	s METAL, CHIP 1.0K 5% 1/10W (2125)
R710	*4 1-216-069-00	s METAL, CHIP 6.8K 5% 1/10W (2125)
	*1 1-216-049-00	s METAL, CHIP 1.0K 5% 1/10W (2125)
R711	1-216-049-00	s METAL, CHIP 1.0K 5% 1/10W (2125)
R714	1-208-784-11	s METAL, CHIP 1.2K 0.5% 1/10W
R715	1-216-667-11	s METAL, CHIP 4.7K 0.5% 1/10W
R716	1-216-049-00	s METAL, CHIP 1.0K 5% 1/10W (2125)
R717	1-216-651-11	s METAL, CHIP 1.0K 0.5% 1/10W
R718	*4 1-216-049-00	s METAL, CHIP 1.0K 5% 1/10W (2125)
R718A	*1 1-214-557-00	s METAL 1.0K 1% 1/8W
R719	*4 1-216-651-11	s METAL, CHIP 1.0K 0.5% 1/10W
	*1 1-216-659-11	s METAL, CHIP 2.2K 0.5% 1/10W
R720	*4 1-216-617-11	s METAL, CHIP 39 0.5% 1/10W (2125)
	*1 1-216-631-11	s METAL, CHIP 150 0.5% 1/10W (2125)
R721	1-216-663-11	s METAL, CHIP 3.3K 0.5% 1/10W
R722	1-216-049-00	s METAL, CHIP 1.0K 5% 1/10W (2125)
R723	1-216-017-00	s METAL, CHIP 47 5% 1/10W (2125)
R724	*4 1-216-619-11	s METAL, CHIP 47 0.5% 1/10W (2125)
	*1 1-216-295-00	s METAL, CHIP 0 (2125)
R725	1-216-049-00	s METAL, CHIP 1.0K 5% 1/10W (2125)
R726	1-216-049-00	s METAL, CHIP 1.0K 5% 1/10W (2125)
R727	1-216-631-11	s METAL, CHIP 150 0.5% 1/10W
R728	*4 1-216-650-11	s METAL, CHIP 910 0.5% 1/10W (2125)
	*1 1-216-635-11	s METAL, CHIP 220 0.5% 1/10W (2125)
R729	1-216-049-00	s METAL, CHIP 1.0K 5% 1/10W (2125)
R730	1-216-049-00	s METAL, CHIP 1.0K 5% 1/10W (2125)
R731	1-216-081-00	s METAL, CHIP 22K 5% 1/10W (2125)
R732	*4 1-216-017-00	s METAL, CHIP 47 5% 1/10W (2125)
	*1 1-216-619-11	s METAL, CHIP 47 0.5% 1/10W (2125)
R733	*4 1-216-619-11	s METAL, CHIP 47 0.5% 1/10W (2125)
	*1 1-216-295-00	s METAL, CHIP 0 (2125)
R734	1-216-081-00	s METAL, CHIP 22K 5% 1/10W (2125)
R735-740	1-216-025-00	s METAL, CHIP 100 5% 1/10W (2125)
R742	1-216-049-00	s METAL, CHIP 1.0K 5% 1/10W (2125)
R743	1-216-631-11	s METAL, CHIP 150 0.5% 1/10W (2125)
R744	1-216-631-11	s METAL, CHIP 150 0.5% 1/10W (2125)
R745	*4 1-216-603-11	s METAL, CHIP 10 0.5% 1/10W (2125)
	*1 1-216-607-11	s METAL, CHIP 15 0.5% 1/10W (2125)

Ref. No. or Q'ty	Part No.	SP Description
R746	*4 1-216-613-11	s METAL, CHIP 27 0.5% 1/10W (2125)
	*1 1-216-627-11	s METAL, CHIP 100 0.5% 1/10W (2125)
R747	*4 1-216-661-11	s METAL, CHIP 2.7K 0.5% 1/10W (2125)
	*1 1-208-789-11	s METAL, CHIP 2.0K 0.5% 1/10W (2125)
R748	*4 1-216-666-11	s METAL, CHIP 4.3K 0.5% 1/10W (2125)
	*1 1-216-647-11	s METAL, CHIP 680 0.5% 1/10W (2125)
R749	*4 1-208-801-11	s METAL, CHIP 6.2K 0.5% 1/10W (2125)
	*1 1-216-647-11	s METAL, CHIP 680 0.5% 1/10W (2125)
R750	1-216-065-00	s METAL, CHIP 4.7K 5% 1/10W (2125)
R751	1-216-073-00	s METAL, CHIP 10K 5% 1/10W (2125)
R752	1-216-097-00	s METAL, CHIP 100K 5% 1/10W (2125)
R753	1-216-073-00	s METAL, CHIP 10K 5% 1/10W (2125)
R754	1-216-295-00	s METAL, CHIP 0 (2125)
R756	*4 1-216-049-00	s METAL, CHIP 1.0K 5% 1/10W (2125)
	*1 1-216-635-11	s METAL, CHIP 220 0.5% 1/10W (2125)
R757-759	1-216-073-00	s METAL, CHIP 10K 5% 1/10W (2125)
R760	1-216-295-00	s METAL, CHIP 0 (2125)
R761	1-216-073-00	s METAL, CHIP 10K 5% 1/10W (2125)
R762	1-216-073-00	s METAL, CHIP 10K 5% 1/10W (2125)
R763	1-216-049-00	s METAL, CHIP 1.0K 5% 1/10W (2125)
R764	*4 1-216-295-00	s METAL, CHIP 0 (2125)
R765	1-216-049-00	s METAL, CHIP 1.0K 5% 1/10W (2125)
R766	1-216-049-00	s METAL, CHIP 1.0K 5% 1/10W (2125)
R767	*4 1-216-619-11	s METAL, CHIP 47 0.5% 1/10W (2125)
	*1 1-216-667-11	s METAL, CHIP 4.7K 0.5% 1/10W (2125)
R768	*4 1-216-616-11	s METAL, CHIP 36 0.5% 1/10W (2125)
	*1 1-216-675-11	s METAL, CHIP 10K 0.5% 1/10W (2125)
R769	*4 1-216-650-11	s METAL, CHIP 910 0.5% 1/10W (2125)
	*1 1-216-057-00	s METAL, CHIP 2.2K 5% 1/10W (2125)
R771-773	1-216-049-00	s METAL, CHIP 1.0K 5% 1/10W (2125)
R776	1-216-073-00	s METAL, CHIP 10K 5% 1/10W (2125)
R777	1-216-049-00	s METAL, CHIP 1.0K 5% 1/10W (2125)
R778	1-216-049-00	s METAL, CHIP 1.0K 5% 1/10W (2125)
R779-781	1-216-073-00	s METAL, CHIP 10K 5% 1/10W (2125)
R782	*c 1-216-097-00	s METAL, CHIP 100K 5% 1/10W (2125)
	*6 1-216-073-00	s METAL, CHIP 10K 5% 1/10W (2125)
R785	1-216-025-00	s METAL, CHIP 100 5% 1/10W (2125)
R786	1-216-025-00	s METAL, CHIP 100 5% 1/10W (2125)
R792	1-216-025-00	s METAL, CHIP 100 5% 1/10W (2125)
R793	1-216-025-00	s METAL, CHIP 100 5% 1/10W (2125)
R797	1-216-295-00	s METAL, CHIP 0 (2125)
R804	1-216-049-00	s METAL, CHIP 1.0K 5% 1/10W (2125)
R805	1-216-675-11	s METAL, CHIP 10K 0.5% 1/10W (2125)
R806	1-216-675-11	s METAL, CHIP 10K 0.5% 1/10W (2125)
R807	1-216-639-11	s METAL, CHIP 330 0.5% 1/10W (2125)
R808	1-208-784-11	s METAL, CHIP 1.2K 0.5% 1/10W (2125)
R809	1-216-295-00	s METAL, CHIP 0 (2125)
R810	*4 1-216-295-00	s METAL, CHIP 0 (2125)
R812	*4 1-216-295-00	s METAL, CHIP 0 (2125)
R813	*8 1-216-295-00	s METAL, CHIP 0 (2125)
R890	*d 1-216-089-00	s METAL, CHIP 47K 5% 1/10W
R934-937	1-216-025-00	s METAL, CHIP 100 5% 1/10W (2125)

-----  
 \*1: Board No. suffix 21 only  
 \*4: Board No. suffix 22 and higher  
 \*6: Board No. suffix 21, 22, of 23

-----  
 \*8: Board No. suffix 23 of higher  
 \*c: Board No. suffix 24 only  
 \*d: Board No. suffix 25 of higher

(VPR-1B BOARD for DVW-510P, suffix 21 through 26)

(VPR-1B BOARD for DVW-510P, suffix 21 through 26)

Ref. No. or Q'ty	Part No.	SP	Description
R940-949			
*8	1-216-679-11	s	METAL, CHIP 15K 0.5% 1/10W (2125)
R950	1-216-025-00	s	METAL, CHIP 100 5% 1/10W (2125)
R963	1-216-025-00	s	METAL, CHIP 100 5% 1/10W (2125)
R976	1-216-025-00	s	METAL, CHIP 100 5% 1/10W (2125)
R1000	1-216-033-00	s	METAL, CHIP 220 5% 1/10W (2125)
R1001	*4 1-216-133-00	s	METAL, CHIP 3.3M 5% 1/10W (2125)
	*1 1-216-073-00	s	METAL, CHIP 10K 5% 1/10W (2125)
R1002	*4 1-216-133-00	s	METAL, CHIP 3.3M 5% 1/10W (2125)
	*1 1-216-121-00	s	METAL, CHIP 1.0M 5% 1/10W (2125)
R1003	*1 1-216-061-00	s	METAL, CHIP 3.3K 5% 1/10W (2125)
R1004	1-216-049-00	s	METAL, CHIP 1.0K 5% 1/10W (2125)
R1005	1-216-049-00	s	METAL, CHIP 1.0K 5% 1/10W (2125)
R1006	1-216-651-11	s	METAL, CHIP 1.0K 0.5% 1/10W
R1007	1-216-073-00	s	METAL, CHIP 10K 5% 1/10W (2125)
R1008	1-216-049-00	s	METAL, CHIP 1.0K 5% 1/10W (2125)
R1009	1-216-017-00	s	METAL, CHIP 47 5% 1/10W (2125)
R1010	*4 1-216-097-00	s	METAL, CHIP 100K 5% 1/10W (2125)
	*1 1-216-049-00	s	METAL, CHIP 1.0K 5% 1/10W (2125)
R1011	1-216-121-00	s	METAL, CHIP 1.0M 5% 1/10W (2125)
R1012	1-216-649-11	s	METAL, CHIP 820 0.5% 1/10W (2125)
R1013	1-216-295-00	s	METAL, CHIP 0 (2125)
R1015	1-216-049-00	s	METAL, CHIP 1.0K 5% 1/10W (2125)
R1016	1-216-049-00	s	METAL, CHIP 1.0K 5% 1/10W (2125)
R1017	1-216-295-00	s	METAL, CHIP 0 (2125)
R1019	1-216-057-00	s	METAL, CHIP 2.2K 5% 1/10W (2125)
R1020	1-216-073-00	s	METAL, CHIP 10K 5% 1/10W (2125)
R1021	1-216-057-00	s	METAL, CHIP 2.2K 5% 1/10W (2125)
R1022	1-216-051-00	s	METAL, CHIP 1.2K 5% 1/10W (2125)
R1024	1-216-073-00	s	METAL, CHIP 10K 5% 1/10W (2125)
R1025	1-216-651-11	s	METAL, CHIP 1.0K 0.5% 1/10W
R1027	1-216-121-00	s	METAL, CHIP 1.0M 5% 1/10W (2125)
R1028	1-216-651-11	s	METAL, CHIP 1.0K 0.5% 1/10W
R1029	1-216-661-11	s	METAL, CHIP 2.7K 0.5% 1/10W
R1030	1-216-635-11	s	METAL, CHIP 220 0.5% 1/10W (2125)
R1031	*4 1-216-057-00	s	METAL, CHIP 2.2K 5% 1/10W (2125)
	*1 1-216-659-11	s	METAL, CHIP 2.2K 0.5% 1/10W
R1032	1-216-675-11	s	METAL, CHIP 10K 0.5% 1/10W (2125)
R1033	1-216-651-11	s	METAL, CHIP 1.0K 0.5% 1/10W
R1034	1-216-025-00	s	METAL, CHIP 100 5% 1/10W (2125)
R1035	1-216-675-11	s	METAL, CHIP 10K 0.5% 1/10W (2125)
R1036	1-216-689-11	s	METAL, CHIP 39K 0.5% 1/10W (2125)
R1037	1-216-677-11	s	METAL, CHIP 12K 0.5% 1/10W (2125)
R1038	1-216-651-11	s	METAL, CHIP 1.0K 0.5% 1/10W
R1039	*b 1-216-083-00	s	EETAL, CHIP 27K 5% 1/10W (2125)
	*a 1-216-081-00	s	METAL, CHIP 22K 5% 1/10W (2125)
R1040	1-216-049-00	s	METAL, CHIP 1.0K 5% 1/10W (2125)
R1041	1-216-651-11	s	METAL, CHIP 1.0K 0.5% 1/10W
R1042	1-216-651-11	s	METAL, CHIP 1.0K 0.5% 1/10W
R1043	1-216-121-00	s	METAL, CHIP 1.0M 5% 1/10W (2125)
R1044	1-216-651-11	s	METAL, CHIP 1.0K 0.5% 1/10W
R1045	1-216-089-00	s	METAL, CHIP 47K 5% 1/10W (2125)
R1046	*b 1-216-093-00	s	METAL, CHIP 68K 5% 1/10W (2125)
	*a 1-216-085-00	s	METAL, CHIP 33K 5% 1/10W (2125)

Ref. No. or Q'ty	Part No.	SP	Description
R1047	1-216-651-11	s	METAL, CHIP 1.0K 0.5% 1/10W (2125)
R1048	1-216-049-00	s	METAL, CHIP 1.0K 5% 1/10W (2125)
R1049	1-216-651-11	s	METAL, CHIP 1.0K 0.5% 1/10W (2125)
R1050	1-216-651-11	s	METAL, CHIP 1.0K 0.5% 1/10W (2125)
R1051	1-216-121-00	s	METAL, CHIP 1.0M 5% 1/10W (2125)
R1052	1-216-081-00	s	METAL, CHIP 22K 5% 1/10W (2125)
R1053	1-216-295-00	s	METAL, CHIP 0 (2125)
R1055	1-216-661-11	s	METAL, CHIP 2.7K 0.5% 1/10W (2125)
R1056	1-216-675-11	s	METAL, CHIP 10K 0.5% 1/10W (2125)
R1057	1-216-651-11	s	METAL, CHIP 1.0K 0.5% 1/10W (2125)
R1061	1-216-295-00	s	METAL, CHIP 0 (2125)
R1063	1-216-025-00	s	METAL, CHIP 100 5% 1/10W (2125)
R1064	1-216-069-00	s	METAL, CHIP 6.8K 5% 1/10W (2125)
R1065	1-216-073-00	s	METAL, CHIP 10K 5% 1/10W (2125)
R1066	1-216-663-11	s	METAL, CHIP 3.3K 0.5% 1/10W (2125)
R1067	*4 1-216-097-00	s	METAL, CHIP 100K 5% 1/10W (2125)
R1068	*4 1-216-049-00	s	METAL, CHIP 1.0K 5% 1/10W (2125)
R1072	1-216-295-00	s	METAL, CHIP 0 (2125)
R1073	1-216-073-00	s	METAL, CHIP 10K 5% 1/10W (2125)
R1074	1-216-041-00	s	METAL, CHIP 470 5% 1/10W (2125)
R1077	1-208-814-11	s	METAL, CHIP 22K 0.5% 1/10W (2125)
R1078	1-216-057-00	s	METAL, CHIP 2.2K 5% 1/10W (2125)
R1079	1-208-814-11	s	METAL, CHIP 22K 0.5% 1/10W (2125)
R1080	1-216-295-00	s	METAL, CHIP 0 (2125)
R1081	1-216-697-11	s	METAL, CHIP 82K 0.5% 1/10W (2125)
R1082	1-216-667-11	s	METAL, CHIP 4.7K 0.5% 1/10W (2125)
R1083	1-216-651-11	s	METAL, CHIP 1.0K 0.5% 1/10W (2125)
R1084	1-216-073-00	s	METAL, CHIP 10K 5% 1/10W (2125)
R1085	1-216-081-00	s	METAL, CHIP 22K 5% 1/10W (2125)
R1086	1-216-073-00	s	METAL, CHIP 10K 5% 1/10W (2125)
R1087	1-216-017-00	s	METAL, CHIP 47 5% 1/10W (2125)
R1088	1-216-667-11	s	METAL, CHIP 4.7K 0.5% 1/10W (2125)
R1089	1-216-017-00	s	METAL, CHIP 47 5% 1/10W (2125)
R1090	1-216-085-00	s	METAL, CHIP 33K 5% 1/10W (2125)
R1091	1-216-073-00	s	METAL, CHIP 10K 5% 1/10W (2125)
R1092	1-216-085-00	s	METAL, CHIP 33K 5% 1/10W (2125)
R1093	1-216-665-11	s	METAL, CHIP 3.9K 0.5% 1/10W (2125)
R1094	1-216-663-11	s	METAL, CHIP 3.3K 0.5% 1/10W (2125)
R1095	1-216-671-11	s	METAL, CHIP 6.8K 0.5% 1/10W (2125)
R1096	1-216-097-00	s	METAL, CHIP 100K 5% 1/10W (2125)
R1097	1-216-097-00	s	METAL, CHIP 100K 5% 1/10W (2125)
R1098	1-216-097-00	s	METAL, CHIP 100K 5% 1/10W (2125)
R1099	1-216-073-00	s	METAL, CHIP 10K 5% 1/10W (2125)
R1100	1-216-073-00	s	METAL, CHIP 10K 5% 1/10W (2125)
R1101	1-216-097-00	s	METAL, CHIP 100K 5% 1/10W (2125)
R1102	1-208-774-11	s	METAL, CHIP 470 0.5% 1/10W (2125)
R1103	1-208-774-11	s	METAL, CHIP 470 0.5% 1/10W (2125)
R1104	1-216-073-00	s	METAL, CHIP 10K 5% 1/10W (2125)
R1105	1-216-685-11	s	METAL, CHIP 27K 0.5% 1/10W (2125)
R1106	1-216-675-11	s	METAL, CHIP 10K 0.5% 1/10W (2125)
R1107	1-216-065-00	s	METAL, CHIP 4.7K 5% 1/10W (2125)
R1108	1-216-073-00	s	METAL, CHIP 10K 5% 1/10W (2125)
R1109	1-216-295-00	s	METAL, CHIP 0 (2125)
R1112	1-216-065-00	s	METAL, CHIP 4.7K 5% 1/10W (2125)
R1113	1-216-025-00	s	METAL, CHIP 100 5% 1/10W (2125)
R1114	1-216-049-00	s	METAL, CHIP 1.0K 5% 1/10W (2125)

-----  
 \*1: Board No. suffix 21 only  
 \*4: Board No. suffix 22 and higher  
 \*8: Board No. suffix 23 of higher

-----  
 \*a: LOT No. 307 through 402  
 \*b: LOT No. 403 of higher

(VPR-1B BOARD for DVW-510P, suffix 21 through 26)

Ref. No. or Q'ty	Part No.	SP Description
R1115	1-216-689-11	s METAL, CHIP 39K 0.5% 1/10W (2125)
R1116	1-216-073-00	s METAL, CHIP 10K 5% 1/10W (2125)
R1117	1-216-665-11	s METAL, CHIP 3.9K 0.5% 1/10W
R1118	*7 1-216-065-00	s METAL, CHIP 4.7K 5% 1/10W (2125)
R1119	*4 1-216-679-11	s METAL, CHIP 15K 0.5% 1/10W
R1120	1-216-663-11	s METAL, CHIP 3.3K 0.5% 1/10W
R1121	1-216-671-11	s METAL, CHIP 6.8K 0.5% 1/10W
R1122	*4 1-216-659-11	s METAL, CHIP 2.2K 0.5% 1/10W
R1123	1-208-774-11	s METAL, CHIP 470 0.5% 1/10W (2125)
R1124	1-208-774-11	s METAL, CHIP 470 0.5% 1/10W
R1125	*4 1-216-675-11	s METAL, CHIP 10K 0.5% 1/10W (2125)
R1126	1-216-685-11	s METAL, CHIP 27K 0.5% 1/10W (2125)
R1127	1-216-675-11	s METAL, CHIP 10K 0.5% 1/10W (2125)
R1128	1-216-295-00	s METAL, CHIP 0 (2125)
R1130	1-216-295-00	s METAL, CHIP 0 (2125)
R1131	*7 1-216-065-00	s METAL, CHIP 4.7K 5% 1/10W (2125)
R1132	*4 1-216-049-00	s METAL, CHIP 1.0K 5% 1/10W (2125)
	*1 1-216-295-00	s METAL, CHIP 0 (2125)
R1133	1-216-065-00	s METAL, CHIP 4.7K 5% 1/10W (2125)
R1134	1-216-025-00	s METAL, CHIP 100 5% 1/10W (2125)
R1135	1-216-025-00	s METAL, CHIP 100 5% 1/10W (2125)
R1136	1-216-025-00	s METAL, CHIP 100 5% 1/10W (2125)
R1137	1-208-774-11	s METAL, CHIP 470 0.5% 1/10W (2125)
R1138	1-208-774-11	s METAL, CHIP 470 0.5% 1/10W (2125)
R1139	1-208-774-11	s METAL, CHIP 470 0.5% 1/10W (2125)
R1140	1-216-675-11	s METAL, CHIP 10K 0.5% 1/10W
R1142	1-216-025-00	s METAL, CHIP 100 5% 1/10W (2125)
R1144	*4 1-216-073-00	s METAL, CHIP 10K 5% 1/10W (2125)
R1145	*4 1-216-097-00	s METAL, CHIP 100K 5% 1/10W (2125)
R1146	*4 1-216-081-00	s METAL, CHIP 22K 5% 1/10W (2125)
R1147	*4 1-216-081-00	s METAL, CHIP 22K 5% 1/10W (2125)
R1148	1-216-017-00	s METAL, CHIP 47 5% 1/10W (2125)
R1149	*4 1-216-079-00	s METAL, CHIP 18K 5% 1/10W (2125)
R1150	1-216-295-00	s METAL, CHIP 0 (2125)
R1151	1-216-295-00	s METAL, CHIP 0 (2125)
R1152	1-216-295-00	s METAL, CHIP 0 (2125)
R1154	1-216-025-00	s METAL, CHIP 100 5% 1/10W (2125)
R1156	1-218-760-11	s METAL, CHIP 220K 0.5% 1/10W
R1157	1-208-774-11	s METAL, CHIP 470 0.5% 1/10W (2125)
R1159	1-216-025-00	s METAL, CHIP 100 5% 1/10W (2125)
R1160	1-216-057-00	s METAL, CHIP 2.2K 5% 1/10W (2125)
R1161	1-216-025-00	s METAL, CHIP 100 5% 1/10W (2125)
R1162	*4 1-216-659-11	s METAL, CHIP 2.2K 0.5% 1/10W
R1163	*1 1-216-097-00	s METAL, CHIP 100K 5% 1/10W (2125)
R1164	*1 1-216-097-00	s METAL, CHIP 100K 5% 1/10W (2125)
R1165	1-216-025-00	s METAL, CHIP 100 5% 1/10W (2125)
R1166	1-216-073-00	s METAL, CHIP 10K 5% 1/10W (2125)
R1167	1-216-697-11	s METAL, CHIP 82K 0.5% 1/10W
R1168	1-216-041-00	s METAL, CHIP 470 5% 1/10W (2125)
R1169	1-216-675-11	s METAL, CHIP 10K 0.5% 1/10W
R1170	1-216-073-00	s METAL, CHIP 10K 5% 1/10W (2125)
R1171	1-216-667-11	s METAL, CHIP 4.7K 0.5% 1/10W
R1172	1-216-685-11	s METAL, CHIP 27K 0.5% 1/10W
R1173	1-216-659-11	s METAL, CHIP 2.2K 0.5% 1/10W
R1174	*4 1-208-803-11	s METAL, CHIP 7.5K 0.5% 1/10W
	*1 1-216-085-00	s METAL, CHIP 33K 5% 1/10W (2125)

-----  
 \*1: Board No. suffix 21 only  
 \*4: Board No. suffix 22 and higher  
 \*7: Board No. suffix 22 of 23

(VPR-1B BOARD for DVW-510P, suffix 21 through 26)

Ref. No. or Q'ty	Part No.	SP Description
R1175	1-216-678-11	s METAL, CHIP 13K 0.5% 1/10W (2125)
R1176	1-216-671-11	s METAL, CHIP 6.8K 0.5% 1/10W (2125)
R1177	1-216-689-11	s METAL, CHIP 39K 0.5% 1/10W (2125)
	(*1)1-216-659-11	s METAL, CHIP 2.2K 0.5% 1/10W (2125)
R1179	*7 1-216-295-00	s METAL, CHIP 0 (2125)
R1201	1-216-065-00	s METAL, CHIP 4.7K 5% 1/10W (2125)
R1202	1-216-065-00	s METAL, CHIP 4.7K 5% 1/10W (2125)
R1203	1-216-065-00	s METAL, CHIP 4.7K 5% 1/10W (2125)
R1204	1-216-065-00	s METAL, CHIP 4.7K 5% 1/10W (2125)
R1205	*8 1-216-065-00	s METAL, CHIP 4.7K 5% 1/10W (2125)
R1210	*9 1-216-695-11	s METAL, CHIP 68K 0.5% 1/10W (2125)
R1212	*9 1-216-295-00	s METAL, CHIP 0 (2125)
R1214	*9 1-216-687-11	s METAL, CHIP 33K 0.5% 1/10W (2125)
R1215	*9 1-208-824-11	s METAL, CHIP 56K 0.5% 1/10W (2125)
R1217	*9 1-216-295-00	s METAL, CHIP 0 (2125)
R1226	*9 1-216-073-00	s METAL, CHIP 10K 5% 1/10W (2125)
R1227	*9 1-216-295-00	s METAL, CHIP 0 (2125)
R1228	*9 1-216-295-00	s METAL, CHIP 0 (2125)
R1229	*9 1-216-097-00	s METAL, CHIP 100K 5% 1/10W (2125)
R1230	*9 1-216-097-00	s METAL, CHIP 100K 5% 1/10W (2125)
R1231	*9 1-216-097-00	s METAL, CHIP 100K 5% 1/10W (2125)
R8400	*1 1-218-659-11	s METAL, CHIP 43 0.5% 1/16W (1608)
R8401	*1 1-218-659-11	s METAL, CHIP 43 0.5% 1/16W (1608)
RB312-317	1-239-412-11	s RES, NETWORK, CHIP 100x4
RB318-325	1-239-711-11	s RES, NETWORK, CHIP 0x4
RB326	1-239-412-11	s RES, NETWORK, CHIP 100x4
RB327	1-239-412-11	s RES, NETWORK, CHIP 100x4
RB328	1-239-412-11	s RES, NETWORK, CHIP 100x4
RB501	1-239-628-11	s RES, NETWORK, CHIP 220x8
RB502	1-239-628-11	s RES, NETWORK, CHIP 220x8
RB504	1-239-306-11	s RESISTOR BLOCK, CHIP 10Kx8
RB505-509	1-239-412-11	s RES, NETWORK, CHIP 100x4
RB514	1-239-303-11	s RESISTOR BLOCK, CHIP 1.0Kx8
RB515	1-239-303-11	s RESISTOR BLOCK, CHIP 1.0Kx8

-----  
 \*8: Board No. suffix 23 of higher  
 \*9: Board No. suffix 24 of higher  
 (\*?): Some mounted circuit boards within specified "\*?"

-----  
 VR-152B BOARD  
 -----

Ref. No.

or Q'ty	Part No.	SP	Description
1pc	A-8275-213-A	o	MOUNTED CIRCUIT BOARD, VR-152B
C1	1-126-948-11	s	ELECT 100uF 20% 35V
C2	1-163-038-00	s	CERAMIC, CHIP 0.1uF 25V (2125)
C3	1-126-948-11	s	ELECT 100uF 20% 35V
C4	1-163-038-00	s	CERAMIC, CHIP 0.1uF 25V (2125)
C5	1-163-243-11	s	CERAMIC, CHIP 47pF 5% 50V (2125)
C6	1-124-282-00	s	ELECT, NONPOLAR 22uF 20% 25V
C7	1-163-243-11	s	CERAMIC, CHIP 47pF 5% 50V (2125)
C8	1-124-282-00	s	ELECT, NONPOLAR 22uF 20% 25V
C9	1-163-038-00	s	CERAMIC, CHIP 0.1uF 25V (2125)
C10	1-163-038-00	s	CERAMIC, CHIP 0.1uF 25V (2125)
C11	1-163-243-11	s	CERAMIC, CHIP 47pF 5% 50V (2125)
C12	1-163-243-11	s	CERAMIC, CHIP 47pF 5% 50V (2125)
C13	1-126-933-11	s	ELECT 100uF 20% 16V
C14	1-163-038-00	s	CERAMIC, CHIP 0.1uF 25V (2125)
C22	*1 1-163-038-00	s	CERAMIC, CHIP 0.1uF 25V (2125)
CN510	1-506-472-11	s	CONNECTOR, 7P, MALE
CN511	1-506-480-11	o	CONNECTOR, 15P, MALE
CN512	1-506-473-11	s	CONNECTOR, 8P, MALE
D5	8-719-801-48	s	DIODE 1SS193
FL1	*2 1-239-825-11	s	FILTER, EMI, CHIP
	*1 1-412-694-11	s	INDUCTOR, BEED
FL2	*2 1-239-825-11	s	FILTER, EMI, CHIP
	*1 1-412-694-11	s	INDUCTOR, BEED
FL3	*2 1-239-825-11	s	FILTER, EMI, CHIP
	*1 1-412-694-11	s	INDUCTOR, BEED
IC1	8-759-745-64	s	IC NJM4560M
IC2	8-759-745-64	s	IC NJM4560M
IC3	8-759-588-96	s	IC NJM5532L-D
J1	1-507-863-51	s	JACK, PHONE
Q2	8-729-119-78	s	TRANSISTOR 2SC2785-HFE
R1	1-216-667-11	s	METAL, CHIP 4.7K 0.5% 1/10W
R2	1-216-667-11	s	METAL, CHIP 4.7K 0.5% 1/10W
R3	1-216-603-11	s	METAL, CHIP 10 0.5% 1/10W (2125)
R4	1-216-667-11	s	METAL, CHIP 4.7K 0.5% 1/10W
R5	1-216-667-11	s	METAL, CHIP 4.7K 0.5% 1/10W
R6	1-216-603-11	s	METAL, CHIP 10 0.5% 1/10W (2125)
R7	1-216-660-11	s	METAL, CHIP 2.4K 0.5% 1/10W
R8	1-216-675-11	s	METAL, CHIP 10K 0.5% 1/10W
R9	1-220-220-11	s	METAL, CHIP 120 5% 1/2W (4532)
R11	1-216-660-11	s	METAL, CHIP 2.4K 0.5% 1/10W
R12	1-216-675-11	s	METAL, CHIP 10K 0.5% 1/10W
R13	1-220-220-11	s	METAL, CHIP 120 5% 1/2W (4532)
R15	1-216-065-00	s	METAL, CHIP 4.7K 5% 1/10W (2125)
R16	1-216-603-11	s	METAL, CHIP 10 0.5% 1/10W (2125)
R17	1-216-603-11	s	METAL, CHIP 10 0.5% 1/10W (2125)
RV6	1-241-577-11	s	RES, VAR, CARBON 20K/20K
RY1	1-515-716-11	s	RELAY TQ2-5V

-----  
 \*1: Board No. suffix 21 only

\*2: Board No. suffix 22 or higher



## Section 4

### Electrical Parts List for Optional Boards

-----  
 DEC-65 BOARD/BKDW-506, suffix 15, 21 or higher  
 -----

(DEC-65 BOARD/BKDW-506, suffix 15, 21 or higher)

\*b: [Lot No. 1A5-]  
 \*a: [Lot No. 803-1A4]

Ref. No. or Q'ty	Part No.	SP	Description
lpc	A-8275-275-A	o	MOUNTED CIRCUIT BOARD, DEC-65PG
lpc	3-696-787-03	o	SHEET(S),CARD
lpc	3-696-891-03	o	PLATE, CARD-S
4pcs	7-682-902-11	s	SCREW +PWH 2.6X5 (EP-FE/ZN/CM2)
lpc	3-179-084-01	s	LEVER(R),PRINTED C,BOARD
lpc	3-179-085-01	s	LEVER(L),PRINTED C.BOARD
C101	1-163-037-11	s	CAPACITOR,CHIP CERAMIC 0.022MF
C104	1-163-037-11	s	CAPACITOR,CHIP CERAMIC 0.022MF
C105	1-163-037-11	s	CAPACITOR,CHIP CERAMIC 0.022MF
C200	1-163-113-00	s	CAPACITOR,CHIP CERAMIC 68PF/50
C201	1-127-517-11	s	CAPACITOR,ELECT 150MF/16V
C202	1-127-517-11	s	CAPACITOR,ELECT 150MF/16V
C203	1-163-037-11	s	CAPACITOR,CHIP CERAMIC 0.022MF
C204	1-163-037-11	s	CAPACITOR,CHIP CERAMIC 0.022MF
C205	1-163-037-11	s	CAPACITOR,CHIP CERAMIC 0.022MF
C206	1-163-037-11	s	CAPACITOR,CHIP CERAMIC 0.022MF
C207	1-163-037-11	s	CAPACITOR,CHIP CERAMIC 0.022MF
C208	1-163-021-91	s	CAPACITOR, CERAMIC 0.01MF/50V
C209	1-163-037-11	s	CAPACITOR,CHIP CERAMIC 0.022MF
C210	1-163-037-11	s	CAPACITOR,CHIP CERAMIC 0.022MF
C211	1-163-037-11	s	CAPACITOR,CHIP CERAMIC 0.022MF
C212	1-163-255-91	s	CAPACITOR,CHIP CERAMIC 150PF
C213	1-163-037-11	s	CAPACITOR,CHIP CERAMIC 0.022MF
C214	1-163-037-11	s	CAPACITOR,CHIP CERAMIC 0.022MF
C215	1-163-239-11	s	CAPACITOR,CHIP CERAMIC33PF/50V
C216	1-163-259-91	s	CAPACITOR,CHIP CERAMIC 220PF
C217	1-163-021-91	s	CAPACITOR, CERAMIC 0.01MF/50V
C251	1-163-037-11	s	CAPACITOR,CHIP CERAMIC 0.022MF
C252	1-163-037-11	s	CAPACITOR,CHIP CERAMIC 0.022MF
C253	1-126-925-11	s	CAPACITOR,ELECT 470MF/10V
C254	1-126-925-11	s	CAPACITOR,ELECT 470MF/10V
C301	1-163-275-11	s	CAPACITOR CERAMIC 1000PF/50V
C302	1-127-517-11	s	CAPACITOR,ELECT 150MF/16V
C303	1-163-037-11	s	CAPACITOR,CHIP CERAMIC 0.022MF
C304	1-163-037-11	s	CAPACITOR,CHIP CERAMIC 0.022MF
C305	1-127-517-11	s	CAPACITOR,ELECT 150MF/16V
C306	1-163-037-11	s	CAPACITOR,CHIP CERAMIC 0.022MF
C308	1-163-037-11	s	CAPACITOR,CHIP CERAMIC 0.022MF
C309	1-163-037-11	s	CAPACITOR,CHIP CERAMIC 0.022MF
C310	1-163-037-11	s	CAPACITOR,CHIP CERAMIC 0.022MF
C311	1-163-037-11	s	CAPACITOR,CHIP CERAMIC 0.022MF
C312	1-163-037-11	s	CAPACITOR,CHIP CERAMIC 0.022MF
C313	1-126-965-11	s	CAPACITOR,ELECT 22MF/50V
C314	1-163-037-11	s	CAPACITOR,CHIP CERAMIC 0.022MF
C315	1-163-259-91	s	CAPACITOR,CHIP CERAMIC 220PF
C316	1-163-037-11	s	CAPACITOR,CHIP CERAMIC 0.022MF
C317	1-163-037-11	s	CAPACITOR,CHIP CERAMIC 0.022MF
C320	1-126-965-11	s	CAPACITOR,ELECT 22MF/50V
C321	1-126-965-11	s	CAPACITOR,ELECT 22MF/50V
C322	1-163-037-11	s	CAPACITOR,CHIP CERAMIC 0.022MF
C323	1-163-037-11	s	CAPACITOR,CHIP CERAMIC 0.022MF
C324	1-163-037-11	s	CAPACITOR,CHIP CERAMIC 0.022MF
C325	1-163-037-11	s	CAPACITOR,CHIP CERAMIC 0.022MF
C327	1-126-965-11	s	CAPACITOR,ELECT 22MF/50V
C351	1-164-004-11	s	CAPACITOR,CERAMIC 0.1MF/25V
C353	1-163-037-11	s	CAPACITOR,CHIP CERAMIC 0.022MF

Ref. No. or Q'ty	Part No.	SP	Description
C354	1-163-037-11	s	CAPACITOR,CHIP CERAMIC 0.022MF
C355	1-163-037-11	s	CAPACITOR,CHIP CERAMIC 0.022MF
C356	1-163-037-11	s	CAPACITOR,CHIP CERAMIC 0.022MF
C357	1-126-934-11	s	CAPACITOR,ELECT 220MF/16V
C358	1-126-934-11	s	CAPACITOR,ELECT 220MF/16V
C401	1-127-517-11	s	CAPACITOR,ELECT 150MF/16V
C402	1-127-517-11	s	CAPACITOR,ELECT 150MF/16V
C403	1-163-037-11	s	CAPACITOR,CHIP CERAMIC 0.022MF
C404	1-163-037-11	s	CAPACITOR,CHIP CERAMIC 0.022MF
C405	1-163-239-11	s	CAPACITOR,CHIP CERAMIC33PF/50V
C406	1-163-259-91	s	CAPACITOR,CHIP CERAMIC 220PF
C407	1-163-021-91	s	CAPACITOR, CERAMIC 0.01MF/50V
C408	1-163-037-11	s	CAPACITOR,CHIP CERAMIC 0.022MF
C409	1-163-133-00	s	CAPACITOR,CHIP CERAMIC 470PF
C410	1-163-259-91	s	CAPACITOR,CHIP CERAMIC 220PF
C411	1-163-259-91	s	CAPACITOR,CHIP CERAMIC 220PF
C412	1-163-037-11	s	CAPACITOR,CHIP CERAMIC 0.022MF
C413	1-163-021-91	s	CAPACITOR, CERAMIC 0.01MF/50V
C414	1-164-004-11	s	CAPACITOR,CERAMIC 0.1MF/25V
C415	1-163-037-11	s	CAPACITOR,CHIP CERAMIC 0.022MF
C422	1-163-037-11	s	CAPACITOR,CHIP CERAMIC 0.022MF
C423	1-163-021-91	s	CAPACITOR, CERAMIC 0.01MF/50V
C425	1-162-714-11	s	CAPACITOR,CERAMIC 150PF/50V
C426	1-163-021-91	s	CAPACITOR, CERAMIC 0.01MF/50V
C427	1-163-037-11	s	CAPACITOR,CHIP CERAMIC 0.022MF
C428	1-163-037-11	s	CAPACITOR,CHIP CERAMIC 0.022MF
C429	1-163-133-00	s	CAPACITOR,CHIP CERAMIC 470PF
C430	1-164-004-11	s	CAPACITOR,CERAMIC 0.1MF/25V
C451	1-164-690-11	s	CAPACITOR ,CERAMIC 2200PF CH
C452	1-163-133-00	s	CAPACITOR,CHIP CERAMIC 470PF
C453	1-163-017-00	s	CAPACITOR,CHIP CERAMIC 4700PF
C454	1-163-037-11	s	CAPACITOR,CHIP CERAMIC 0.022MF
C455	1-163-037-11	s	CAPACITOR,CHIP CERAMIC 0.022MF
C456	1-163-037-11	s	CAPACITOR,CHIP CERAMIC 0.022MF
C457	1-163-037-11	s	CAPACITOR,CHIP CERAMIC 0.022MF
C462	1-163-037-11	s	CAPACITOR,CHIP CERAMIC 0.022MF
C464	1-163-275-11	s	CAPACITOR CERAMIC 1000PF/50V
C465	1-163-275-11	s	CAPACITOR CERAMIC 1000PF/50V
C466	1-163-259-91	s	CAPACITOR,CHIP CERAMIC 220PF
C467	1-163-133-00	s	CAPACITOR,CHIP CERAMIC 470PF
C468	1-163-037-11	s	CAPACITOR,CHIP CERAMIC 0.022MF
C601	1-164-004-11	s	CAPACITOR,CERAMIC 0.1MF/25V
C603	1-163-037-11	s	CAPACITOR,CHIP CERAMIC 0.022MF
C604	1-163-037-11	s	CAPACITOR,CHIP CERAMIC 0.022MF
C605	1-163-037-11	s	CAPACITOR,CHIP CERAMIC 0.022MF
C606	1-163-037-11	s	CAPACITOR,CHIP CERAMIC 0.022MF
C607	1-163-037-11	s	CAPACITOR,CHIP CERAMIC 0.022MF
C608	1-163-037-11	s	CAPACITOR,CHIP CERAMIC 0.022MF
C609	1-163-037-11	s	CAPACITOR,CHIP CERAMIC 0.022MF
C610	1-163-037-11	s	CAPACITOR,CHIP CERAMIC 0.022MF
C611	1-163-037-11	s	CAPACITOR,CHIP CERAMIC 0.022MF
C612	1-126-933-11	s	CAPACITOR,ELECT 100MF/16V
C613	1-163-037-11	s	CAPACITOR,CHIP CERAMIC 0.022MF
C614	1-163-037-11	s	CAPACITOR,CHIP CERAMIC 0.022MF
C615	1-163-037-11	s	CAPACITOR,CHIP CERAMIC 0.022MF
C616	1-163-037-11	s	CAPACITOR,CHIP CERAMIC 0.022MF
C617	1-163-037-11	s	CAPACITOR,CHIP CERAMIC 0.022MF
C618	1-163-037-11	s	CAPACITOR,CHIP CERAMIC 0.022MF
C619	1-163-037-11	s	CAPACITOR,CHIP CERAMIC 0.022MF

(DEC-65 BOARD/BKDW-506, suffix 15, 21 or higher)

(DEC-65 BOARD/BKDW-506, suffix 15, 21 or higher)

Ref. No. or Q'ty	Part No.	SP	Description
C620	1-163-037-11	s	CAPACITOR,CHIP CERAMIC 0.022MF
C622	1-163-037-11	s	CAPACITOR,CHIP CERAMIC 0.022MF
C623	1-163-037-11	s	CAPACITOR,CHIP CERAMIC 0.022MF
C626	1-126-933-11	s	CAPACITOR,ELECT 100MF/16V
C627	1-163-037-11	s	CAPACITOR,CHIP CERAMIC 0.022MF
C628	1-163-037-11	s	CAPACITOR,CHIP CERAMIC 0.022MF
C629	1-163-037-11	s	CAPACITOR,CHIP CERAMIC 0.022MF
C630	1-163-037-11	s	CAPACITOR,CHIP CERAMIC 0.022MF
C631	1-126-157-11	s	CAPACITOR,ELECT 10MF/16V (105)
C632	1-126-157-11	s	CAPACITOR,ELECT 10MF/16V (105)
C633	1-163-037-11	s	CAPACITOR,CHIP CERAMIC 0.022MF
C634	1-163-037-11	s	CAPACITOR,CHIP CERAMIC 0.022MF
C640	1-126-925-11	s	CAPACITOR,ELECT 470MF/10V
C642	1-126-925-11	s	CAPACITOR,ELECT 470MF/10V
C652	1-163-017-00	s	CAPACITOR,CHIP CERAMIC 4700PF
C654	1-163-037-11	s	CAPACITOR,CHIP CERAMIC 0.022MF
C655	1-163-037-11	s	CAPACITOR,CHIP CERAMIC 0.022MF
C656	1-163-037-11	s	CAPACITOR,CHIP CERAMIC 0.022MF
C657	1-163-037-11	s	CAPACITOR,CHIP CERAMIC 0.022MF
C658	1-135-072-21	s	CAPACITOR,TANTALUM 0.22MF/35V
C659	1-163-037-11	s	CAPACITOR,CHIP CERAMIC 0.022MF
C701	1-163-037-11	s	CAPACITOR,CHIP CERAMIC 0.022MF
C702	1-126-933-11	s	CAPACITOR,ELECT 100MF/16V
C703	1-163-037-11	s	CAPACITOR,CHIP CERAMIC 0.022MF
C710	1-163-037-11	s	CAPACITOR,CHIP CERAMIC 0.022MF
C712	1-164-004-11	s	CAPACITOR,CERAMIC 0.1MF/25V
C713	1-163-037-11	s	CAPACITOR,CHIP CERAMIC 0.022MF
C717	1-126-933-11	s	CAPACITOR,ELECT 100MF/16V
C718	1-163-037-11	s	CAPACITOR,CHIP CERAMIC 0.022MF
C719	1-163-037-11	s	CAPACITOR,CHIP CERAMIC 0.022MF
C720	1-126-933-11	s	CAPACITOR,ELECT 100MF/16V
C721	1-163-037-11	s	CAPACITOR,CHIP CERAMIC 0.022MF
C722	1-163-037-11	s	CAPACITOR,CHIP CERAMIC 0.022MF
C725	1-163-037-11	s	CAPACITOR,CHIP CERAMIC 0.022MF
C751	1-164-004-11	s	CAPACITOR,CERAMIC 0.1MF/25V
C754	1-163-037-11	s	CAPACITOR,CHIP CERAMIC 0.022MF
C801	1-163-037-11	s	CAPACITOR,CHIP CERAMIC 0.022MF
C802	1-163-037-11	s	CAPACITOR,CHIP CERAMIC 0.022MF
C803	1-126-933-11	s	CAPACITOR,ELECT 100MF/16V
C805	1-163-037-11	s	CAPACITOR,CHIP CERAMIC 0.022MF
C808	1-164-004-11	s	CAPACITOR,CERAMIC 0.1MF/25V
C809	1-163-037-11	s	CAPACITOR,CHIP CERAMIC 0.022MF
C810	1-163-021-91	s	CAPACITOR, CERAMIC 0.01MF/50V
C811	1-163-037-11	s	CAPACITOR,CHIP CERAMIC 0.022MF
C850	1-163-229-11	s	CAPACITOR CHIP 12PF/50V(2125)
C851	1-163-239-11	s	CAPACITOR,CHIP CERAMIC33PF/50V
C852	1-163-259-91	s	CAPACITOR,CHIP CERAMIC 220PF
C860	1-104-913-11	s	CAPACITOR,CHIP TANTAL 10MF/16V
C861	1-135-177-21	s	CAPACITOR TANTALUM 1MF/25V
C870	1-163-037-11	s	CAPACITOR,CHIP CERAMIC 0.022MF
C901	1-126-933-11	s	CAPACITOR,ELECT 100MF/16V
C902	1-126-933-11	s	CAPACITOR,ELECT 100MF/16V
C903	1-126-933-11	s	CAPACITOR,ELECT 100MF/16V
C904	1-126-933-11	s	CAPACITOR,ELECT 100MF/16V
C905	1-126-933-11	s	CAPACITOR,ELECT 100MF/16V
C906	1-126-933-11	s	CAPACITOR,ELECT 100MF/16V
C907	1-126-933-11	s	CAPACITOR,ELECT 100MF/16V
C908	1-126-933-11	s	CAPACITOR,ELECT 100MF/16V
C909	1-163-037-11	s	CAPACITOR,CHIP CERAMIC 0.022MF

Ref. No. or Q'ty	Part No.	SP	Description
C910	1-163-037-11	s	CAPACITOR,CHIP CERAMIC 0.022MF
C911	1-126-933-11	s	CAPACITOR,ELECT 100MF/16V
C912	1-126-933-11	s	CAPACITOR,ELECT 100MF/16V
C913	1-126-933-11	s	CAPACITOR,ELECT 100MF/16V
C914	1-126-933-11	s	CAPACITOR,ELECT 100MF/16V
C915	1-126-964-11	s	CAPACITOR, ELECT 10MF/50V
C916	1-126-964-11	s	CAPACITOR, ELECT 10MF/50V
C917	1-126-933-11	s	CAPACITOR,ELECT 100MF/16V
C918	1-163-037-11	s	CAPACITOR,CHIP CERAMIC 0.022MF
CN100	1-750-795-21	s	CONNECTOR, PRINT PC BOARD
CP501	1-760-263-11	s	OSCILLATOR, CRYSTAL (VCO TYPE)
D101	8-719-023-69	s	DIODE SB007T03Q
D102	8-719-023-69	s	DIODE SB007T03Q
D103	8-719-023-69	s	DIODE SB007T03Q
D301	8-719-024-81	s	DIODE 1SS300-TE85L
D302	8-719-941-23	s	DIODE DA204U
D401	8-719-024-81	s	DIODE 1SS300-TE85L
D701	8-719-024-81	s	DIODE 1SS300-TE85L
D702	*a 8-719-069-99	s	DIODE 1SS375-TL
D703	*a 8-719-024-81	s	DIODE 1SS300-TE85L
E201	1-535-881-21	o	TERMINAL, TP (AUTO INSERTION)
E601	1-535-881-21	o	TERMINAL, TP (AUTO INSERTION)
E602	1-535-881-21	o	TERMINAL, TP (AUTO INSERTION)
FL201	1-239-721-11	s	FILTER, LOW PASS (6MHZ)
FL601	1-239-719-31	s	FILTER, CHIP EMI
FL602	1-239-719-31	s	FILTER, CHIP EMI
FL603	1-239-719-31	s	FILTER, CHIP EMI
FL604	1-239-719-31	s	FILTER, CHIP EMI
FL605	1-239-719-31	s	FILTER, CHIP EMI
FL606	1-239-719-31	s	FILTER, CHIP EMI
FL607	1-239-719-31	s	FILTER, CHIP EMI
FL608	1-239-719-31	s	FILTER, CHIP EMI
FL609	1-239-719-31	s	FILTER, CHIP EMI
FL610	1-239-719-31	s	FILTER, CHIP EMI
FL611	1-239-719-31	s	FILTER, CHIP EMI
FL612	1-239-719-31	s	FILTER, CHIP EMI
FL613	1-239-719-31	s	FILTER, CHIP EMI
FL614	1-239-719-31	s	FILTER, CHIP EMI
FL615	1-239-719-31	s	FILTER, CHIP EMI
IC101	8-759-926-49	s	IC SN74HC245ANS
IC103	8-759-985-55	s	IC 74AC245SJ
IC201	8-759-262-03	s	IC MC14577CF
IC202	8-759-182-47	s	IC CLC520AJE (L)
IC203	8-752-061-02	s	IC CXA1450M
IC204	8-759-098-16	s	IC LT1227CS8
IC301	8-759-430-21	s	IC MSM6524GS-KR1
IC302	8-759-031-84	s	IC SC7S04F
IC303	8-759-234-20	s	IC TC7S08F
IC304	6-700-135-01	s	IC TL084CDR
IC306	6-700-135-01	s	IC TL084CDR
IC307	8-759-009-07	s	IC MC14053BF
IC308	8-759-836-57	s	IC TL082CDR
IC309	8-759-836-57	s	IC TL082CDR
IC310	8-759-009-07	s	IC MC14053BF
IC401	8-759-987-27	s	IC LM1881M
IC402	8-759-239-58	s	IC TC74HC221AF



(DEC-65 BOARD/BKDW-506, suffix 15, 21 or higher)

(DEC-65 BOARD/BKDW-506, suffix 15, 21 or higher)

Ref. No. or Q'ty	Part No.	SP	Description
IC403	8-759-262-03	s IC	MC14577CF
IC404	8-759-239-55	s IC	TC74HC123AF
IC405	8-759-035-93	s IC	SC7S32F
IC406	8-759-836-57	s IC	TL082CDR
IC407	8-759-702-08	s IC	NJM360M
IC408	8-759-702-08	s IC	NJM360M
IC451	8-759-907-81	s IC	SN74LS221N(S)
IC452	8-759-902-88	s IC	SN74LS123NS
IC453	8-759-673-54	s IC	MM74HC74ASJX
IC454	8-759-035-93	s IC	SC7S32F
IC455	8-759-907-81	s IC	SN74LS221N(S)
IC601	8-759-261-51	s IC	AD9040AJN
IC602	8-759-543-66	s IC	SN74LVTH245ANS
IC603	8-759-543-66	s IC	SN74LVTH245ANS
IC604	8-759-174-09	s IC	CXD8381Q
IC605	8-752-375-22	s IC	CXD304-106Q
IC606	8-759-174-13	s IC	EPM7032LC44-15
IC607	8-759-543-66	s IC	SN74LVTH245ANS
IC608	8-759-543-66	s IC	SN74LVTH245ANS
IC614	8-759-907-81	s IC	SN74LS221N(S)
IC616	8-759-672-91	s IC	MM74HC163SJX
IC617	8-759-672-91	s IC	MM74HC163SJX
IC618	8-759-031-84	s IC	SC7S04F
IC619	8-759-186-51	s IC	TC74VHC157F
IC705	*b 6-700-135-01	s IC	TL084CDR
	*a 8-759-485-83	s IC	MC34184DR2
IC706	8-759-985-17	s IC	74AC04SJ
IC707	8-759-986-33	s IC	74ACT245SJ
IC708	8-759-985-55	s IC	74AC245SJ
IC712	8-759-987-82	s IC	74AC00SJ
IC801	8-752-334-55	s IC	CXD1175AM
IC802	8-759-836-57	s IC	TL082CDR
IC860	8-759-485-87	s IC	TL431CDR2
IC870	8-759-381-47	s IC	AD7524JR
IC901	8-759-052-52	s IC	L78M05T-FA
IC902	8-759-822-95	s IC	L79M05T-FA
IC903	8-759-052-52	s IC	L78M05T-FA
IC904	8-759-822-95	s IC	L79M05T-FA
IC905	8-759-485-87	s IC	TL431CDR2
L201	1-410-381-11	s CHIP	INDUCTOR 10UH (3225)
L202	1-410-385-11	s CHIP	INDUCTOR 22UH (3225)
L203	1-410-393-11	s CHIP	INDUCTOR 100UH (3225)
L301	1-410-393-11	s CHIP	INDUCTOR 100UH (3225)
L302	1-410-393-11	s CHIP	INDUCTOR 100UH (3225)
L401	1-410-385-11	s CHIP	INDUCTOR 22UH (3225)
L402	1-410-385-11	s CHIP	INDUCTOR 22UH (3225)
L403	1-410-393-11	s CHIP	INDUCTOR 100UH (3225)
L601	1-410-803-11	s CHIP	INDUCTOR 0.047UH (3225)
L602	1-410-803-11	s CHIP	INDUCTOR 0.047UH (3225)
L701	1-410-393-11	s CHIP	INDUCTOR 100UH (3225)
L703	1-410-393-11	s CHIP	INDUCTOR 100UH (3225)
L801	1-410-393-11	s CHIP	INDUCTOR 100UH (3225)
L850	1-410-393-11	s CHIP	INDUCTOR 100UH (3225)
L901	1-412-526-11	s	INDUCTOR,MICRO 12UH
L902	1-412-526-11	s	INDUCTOR,MICRO 12UH
L903	1-412-526-11	s	INDUCTOR,MICRO 12UH
L904	1-412-526-11	s	INDUCTOR,MICRO 12UH
PS901	Δ 1-533-272-11	s	FUSE, CHIP 4A (6125)

Ref. No. or Q'ty	Part No.	SP	Description
Q201	8-729-117-32	s	TRANSISTOR 2SC4177
Q202	8-729-117-32	s	TRANSISTOR 2SC4177
Q203	8-729-117-32	s	TRANSISTOR 2SC4177
Q204	8-729-117-32	s	TRANSISTOR 2SC4177
Q205	8-729-140-63	s	TRANSISTOR 2SA1611-M5M6
Q206	8-729-209-07	s	TRANSISTOR 2SC4213-B
Q207	8-729-140-63	s	TRANSISTOR 2SA1611-M5M6
Q301	8-729-117-32	s	TRANSISTOR 2SC4177
Q302	8-729-904-41	s	TRANSISTOR FMY3
Q401	8-729-140-63	s	TRANSISTOR 2SA1611-M5M6
Q402	8-729-143-07	s	TRANSISTOR 2SA1610-Y33
Q403	8-729-143-07	s	TRANSISTOR 2SA1610-Y33
Q405	8-729-118-56	s	FET 2SK852-X2
Q406	8-729-140-63	s	TRANSISTOR 2SA1611-M5M6
Q601	8-729-029-14	s	TRANSISTOR DTC144EUA-T106
Q801	8-729-904-41	s	TRANSISTOR FMY3
Q901	8-729-106-68	s	TRANSISTOR 2SD1615A-GP
R104	1-216-089-91	s	RESISTOR, CHIP 47K
R105	1-216-089-91	s	RESISTOR, CHIP 47K
R106	1-216-089-91	s	RESISTOR, CHIP 47K
R107	1-216-073-00	s	RESISTOR,CHIP 10K 1/10W(2012)
R108	1-216-097-91	s	RESISTOR,CHIP 100K 1/10W(2012)
R109	1-216-033-00	s	RESISTOR,CHIP 220 1/10W(2012)
R110	1-216-033-00	s	RESISTOR,CHIP 220 1/10W(2012)
R111	1-216-033-00	s	RESISTOR,CHIP 220 1/10W(2012)
R116	1-216-089-91	s	RESISTOR, CHIP 47K
R117	1-216-089-91	s	RESISTOR, CHIP 47K
R118	1-216-089-91	s	RESISTOR, CHIP 47K
R119	1-216-073-00	s	RESISTOR,CHIP 10K 1/10W(2012)
R120	1-216-089-91	s	RESISTOR, CHIP 47K
R121	1-216-097-91	s	RESISTOR,CHIP 100K 1/10W(2012)
R122	1-216-033-00	s	RESISTOR,CHIP 220 1/10W(2012)
R123	1-216-049-91	s	RESISTOR,CHIP 1K 1/10W(2125)
R124	1-216-049-91	s	RESISTOR,CHIP 1K 1/10W(2125)
R125	1-216-049-91	s	RESISTOR,CHIP 1K 1/10W(2125)
R127	1-216-097-91	s	RESISTOR,CHIP 100K 1/10W(2012)
R200	1-216-009-00	s	RESISTOR,CHIP 22 1/10W (2012)
R201	1-216-624-11	s	RESISTOR,CHIP 75 1/10W(2012)
R202	1-216-631-11	s	RESISTOR,CHIP 150 1/10W (2012)
R203	1-216-624-11	s	RESISTOR,CHIP 75 1/10W(2012)
R204	1-216-632-11	s	RESISTOR,CHIP 160 1/10W (2012)
R205	1-216-663-11	s	RESISTOR,CHIP 3.3K 1/10W(2012)
R206	1-216-073-00	s	RESISTOR,CHIP 10K 1/10W(2012)
R207	1-216-651-11	s	RESISTOR,CHIP 1K 1/10W(2012)
R208	1-216-009-00	s	RESISTOR,CHIP 22 1/10W (2012)
R209	1-216-624-11	s	RESISTOR,CHIP 75 1/10W(2012)
R210	1-216-057-00	s	RESISTOR CHIP 2.2K 1/10W(2012)
R211	1-216-017-91	s	RESISTOR, CHIP 47 1/10W(2012)
R212	1-216-656-11	s	RESISTOR,CHIP 1.6K 1/10W(2012)
R213	1-216-624-11	s	RESISTOR,CHIP 75 1/10W(2012)
R214	1-216-057-00	s	RESISTOR CHIP 2.2K 1/10W(2012)
R215	1-216-017-91	s	RESISTOR, CHIP 47 1/10W(2012)
R216	1-216-009-00	s	RESISTOR,CHIP 22 1/10W (2012)
R217	1-216-057-00	s	RESISTOR CHIP 2.2K 1/10W(2012)
R218	1-216-651-11	s	RESISTOR,CHIP 1K 1/10W(2012)
R219	1-216-057-00	s	RESISTOR CHIP 2.2K 1/10W(2012)
R220	1-216-009-00	s	RESISTOR,CHIP 22 1/10W (2012)
R221	1-216-057-00	s	RESISTOR CHIP 2.2K 1/10W(2012)

(DEC-65 BOARD/BKDW-506, suffix 15, 21 or higher)

(DEC-65 BOARD/BKDW-506, suffix 15, 21 or higher)

Ref. No. or Q'ty	Part No.	SP	Description
R222	1-216-649-11	s	RESISTOR,CHIP 820 1/10W (2012)
R223	1-216-049-91	s	RESISTOR,CHIP 1K 1/10W(2125)
R224	1-216-053-00	s	RESISTOR CHIP 1.5K 1/10W(2012)
R225	1-216-017-91	s	RESISTOR, CHIP 47 1/10W(2012)
R301	1-216-049-91	s	RESISTOR,CHIP 1K 1/10W(2125)
R302	1-216-675-11	s	RESISTOR,CHIP 10K 1/10W(2012)
R303	1-216-687-11	s	RESISTOR CHIP 33K 1/10W (2012)
R304	1-216-661-11	s	RESISTOR,CHIP 2.7K 1/10W(2012)
R305	1-216-675-11	s	RESISTOR,CHIP 10K 1/10W(2012)
R306	1-216-675-11	s	RESISTOR,CHIP 10K 1/10W(2012)
R307	1-216-644-11	s	RESISTOR,CHIP 510 1/10W (2012)
R308	1-216-049-91	s	RESISTOR,CHIP 1K 1/10W(2125)
R309	1-216-097-91	s	RESISTOR,CHIP 100K 1/10W(2012)
R310	1-216-049-91	s	RESISTOR,CHIP 1K 1/10W(2125)
R311	1-216-681-11	s	RESISTOR,CHIP 18K 1/10W (2012)
R312	1-216-665-11	s	RESISTOR,CHIP 3.9K 1/10W(2012)
R313	1-216-057-00	s	RESISTOR CHIP 2.2K 1/10W(2012)
R319	1-216-049-91	s	RESISTOR,CHIP 1K 1/10W(2125)
R320	1-216-121-91	s	RESISTOR,CHIP 1M 1/10W (2012)
R322	1-216-679-11	s	RESISTOR,CHIP 15K 1/10W (2012)
R324	1-216-121-91	s	RESISTOR,CHIP 1M 1/10W (2012)
R325	1-216-121-91	s	RESISTOR,CHIP 1M 1/10W (2012)
R351	1-216-049-91	s	RESISTOR,CHIP 1K 1/10W(2125)
R352	1-216-097-91	s	RESISTOR,CHIP 100K 1/10W(2012)
R353	1-216-073-00	s	RESISTOR,CHIP 10K 1/10W(2012)
R354	1-216-057-00	s	RESISTOR CHIP 2.2K 1/10W(2012)
R355	1-216-659-11	s	RESISTOR,CHIP 2.2K 1/10W(2012)
R356	1-216-049-91	s	RESISTOR,CHIP 1K 1/10W(2125)
R401	1-216-649-11	s	RESISTOR,CHIP 820 1/10W (2012)
R402	1-216-049-91	s	RESISTOR,CHIP 1K 1/10W(2125)
R403	1-216-049-91	s	RESISTOR,CHIP 1K 1/10W(2125)
R404	1-216-661-11	s	RESISTOR,CHIP 2.7K 1/10W(2012)
R405	1-216-667-11	s	RESISTOR,CHIP 4.7K 1/10W(2012)
R406	1-216-057-00	s	RESISTOR CHIP 2.2K 1/10W(2012)
R407	1-216-073-00	s	RESISTOR,CHIP 10K 1/10W(2012)
R408	1-216-057-00	s	RESISTOR CHIP 2.2K 1/10W(2012)
R409	1-216-073-00	s	RESISTOR,CHIP 10K 1/10W(2012)
R410	1-216-661-11	s	RESISTOR,CHIP 2.7K 1/10W(2012)
R411	1-216-651-11	s	RESISTOR,CHIP 1K 1/10W(2012)
R412	1-216-651-11	s	RESISTOR,CHIP 1K 1/10W(2012)
R413	1-216-065-91	s	RESISTOR,CHIP 4.7K (2012)
R424	1-216-049-91	s	RESISTOR,CHIP 1K 1/10W(2125)
R425	1-216-655-11	s	RESISTOR,CHIP 1.5K 1/10W(2012)
R426	1-216-667-11	s	RESISTOR,CHIP 4.7K 1/10W(2012)
R427	1-216-671-11	s	RESISTOR,CHIP 6.8K 1/10W(2012)
R428	1-216-673-11	s	RESISTOR,CHIP 8.2K 1/10W(2012)
R429	1-216-025-91	s	RESISTOR,CHIP 100 1/10W(2125)
R430	1-216-659-11	s	RESISTOR,CHIP 2.2K 1/10W(2012)
R431	1-216-033-00	s	RESISTOR,CHIP 220 1/10W(2012)
R432	1-216-097-91	s	RESISTOR,CHIP 100K 1/10W(2012)
R433	1-216-671-11	s	RESISTOR,CHIP 6.8K 1/10W(2012)
R434	1-216-669-11	s	RESISTOR,CHIP 5.6K 1/10W(2012)
R435	1-216-655-11	s	RESISTOR,CHIP 1.5K 1/10W(2012)
R436	1-216-658-11	s	RESISTOR,CHIP 2.0K 1/10W(2012)
R437	1-216-117-00	s	RESISTOR,CHIP 680K 1/10W(2012)
R451	1-216-675-11	s	RESISTOR,CHIP 10K 1/10W(2012)
R452	1-216-668-11	s	RESISTOR,CHIP 5.1K 1/10W(2012)
R453	1-216-665-11	s	RESISTOR,CHIP 3.9K 1/10W(2012)
R454	1-216-671-11	s	RESISTOR,CHIP 6.8K 1/10W(2012)

Ref. No. or Q'ty	Part No.	SP	Description
R455	1-216-077-00	s	RESISTOR,CHIP 15K 1/10W(2012)
R456	1-216-670-11	s	RESISTOR,CHIP 6.2K 1/10W(2012)
R457	1-216-065-91	s	RESISTOR,CHIP 4.7K (2012)
R458	1-216-694-11	s	RESISTOR,CHIP 62K 1/10W(2012)
R459	1-216-681-11	s	RESISTOR,CHIP 18K 1/10W (2012)
R460	1-216-661-11	s	RESISTOR,CHIP 2.7K 1/10W(2012)
R461	1-216-049-91	s	RESISTOR,CHIP 1K 1/10W(2125)
R462	1-216-682-11	s	RESISTOR,CHIP 20K 1/10W (2012)
R622	1-216-097-91	s	RESISTOR,CHIP 100K 1/10W(2012)
R623	1-216-295-91	s	RESISTOR, CHIP 0 (1/10W)
R624	1-216-097-91	s	RESISTOR,CHIP 100K 1/10W(2012)
R625	1-216-073-00	s	RESISTOR,CHIP 10K 1/10W(2012)
R626	1-216-049-91	s	RESISTOR,CHIP 1K 1/10W(2125)
R627	1-216-017-91	s	RESISTOR, CHIP 47 1/10W(2012)
R628	1-216-017-91	s	RESISTOR, CHIP 47 1/10W(2012)
R629	1-216-017-91	s	RESISTOR, CHIP 47 1/10W(2012)
R658	1-216-295-91	s	RESISTOR, CHIP 0 (1/10W)
R659	1-216-295-91	s	RESISTOR, CHIP 0 (1/10W)
R660	1-216-295-91	s	RESISTOR, CHIP 0 (1/10W)
R661	1-216-295-91	s	RESISTOR, CHIP 0 (1/10W)
R665	1-216-295-91	s	RESISTOR, CHIP 0 (1/10W)
R666	1-216-295-91	s	RESISTOR, CHIP 0 (1/10W)
R667	1-216-295-91	s	RESISTOR, CHIP 0 (1/10W)
R668	1-216-295-91	s	RESISTOR, CHIP 0 (1/10W)
R672	1-216-665-11	s	RESISTOR,CHIP 3.9K 1/10W(2012)
R673	1-216-067-00	s	RESISTOR,CHIP 5.6K 1/10W(2012)
R674	1-216-073-00	s	RESISTOR,CHIP 10K 1/10W(2012)
R701	1-216-029-00	s	RESISTOR,CHIP 150 1/10W(2012)
R709	1-216-687-11	s	RESISTOR CHIP 33K 1/10W (2012)
R710	1-216-674-11	s	RESISTOR,CHIP 9.1K 1/10W(2012)
R711	1-216-679-11	s	RESISTOR,CHIP 15K 1/10W (2012)
R713	1-216-077-00	s	RESISTOR,CHIP 15K 1/10W(2012)
R714	1-216-049-91	s	RESISTOR,CHIP 1K 1/10W(2125)
R715	1-216-049-91	s	RESISTOR,CHIP 1K 1/10W(2125)
R718	1-216-033-00	s	RESISTOR,CHIP 220 1/10W(2012)
R719	1-216-033-00	s	RESISTOR,CHIP 220 1/10W(2012)
R720	1-216-029-00	s	RESISTOR,CHIP 150 1/10W(2012)
R724	1-216-045-00	s	RESISTOR,CHIP 680 1/10W(2012)
R725	1-216-029-00	s	RESISTOR,CHIP 150 1/10W(2012)
R727	1-216-029-00	s	RESISTOR,CHIP 150 1/10W(2012)
R728	1-216-029-00	s	RESISTOR,CHIP 150 1/10W(2012)
R729	1-216-029-00	s	RESISTOR,CHIP 150 1/10W(2012)
R731	1-216-029-00	s	RESISTOR,CHIP 150 1/10W(2012)
R732	1-216-049-91	s	RESISTOR,CHIP 1K 1/10W(2125)
R734	1-216-029-00	s	RESISTOR,CHIP 150 1/10W(2012)
R751	1-216-073-00	s	RESISTOR,CHIP 10K 1/10W(2012)
R752	1-216-073-00	s	RESISTOR,CHIP 10K 1/10W(2012)
R753	1-216-295-91	s	RESISTOR, CHIP 0 (1/10W)
R754	1-216-129-00	s	RESISTOR,CHIP 2.2M 1/10W(2012)
R756	1-216-669-11	s	RESISTOR,CHIP 5.6K 1/10W(2012)
R758	1-216-295-91	s	RESISTOR, CHIP 0 (1/10W)
R759	1-216-295-91	s	RESISTOR, CHIP 0 (1/10W)
R801	1-216-089-91	s	RESISTOR, CHIP 47K
R802	1-216-089-91	s	RESISTOR, CHIP 47K
R803	1-216-688-11	s	RESISTOR,CHIP 36K 1/10W(2012)
R804	1-216-679-11	s	RESISTOR,CHIP 15K 1/10W (2012)
R805	1-216-049-91	s	RESISTOR,CHIP 1K 1/10W(2125)
R806	1-216-049-91	s	RESISTOR,CHIP 1K 1/10W(2125)
R807	1-216-683-11	s	RESISTOR,CHIP 22K 1/10W (2012)

(DEC-65 BOARD/BKDW-506, suffix 15, 21 or higher)

Ref. No. or Q'ty	Part No.	SP	Description
R808	1-216-687-11	s	RESISTOR CHIP 33K 1/10W (2012)
R850	1-216-649-11	s	RESISTOR,CHIP 820 1/10W (2012)
R860	1-216-653-11	s	RESISTOR,CHIP 1.2K 1/10W(2012)
R861	1-216-624-11	s	RESISTOR,CHIP 75 1/10W(2012)
R862	1-216-667-11	s	RESISTOR,CHIP 4.7K 1/10W(2012)
R863	1-216-295-91	s	RESISTOR, CHIP 0 (1/10W)
R864	1-216-049-91	s	RESISTOR,CHIP 1K 1/10W(2125)
R865	1-216-295-91	s	RESISTOR, CHIP 0 (1/10W)
R866	1-216-295-91	s	RESISTOR, CHIP 0 (1/10W)
R880	1-216-295-91	s	RESISTOR, CHIP 0 (1/10W)
R882	1-216-049-91	s	RESISTOR,CHIP 1K 1/10W(2125)
R884	1-216-295-91	s	RESISTOR, CHIP 0 (1/10W)
R901	1-216-041-00	s	RESISTOR, CHIP 470 1/10W(2012)
R902	1-216-017-91	s	RESISTOR, CHIP 47 1/10W(2012)
R903	1-216-675-11	s	RESISTOR,CHIP 10K 1/10W(2012)
R904	1-216-675-11	s	RESISTOR,CHIP 10K 1/10W(2012)
RB880	1-239-412-11	s	NETWORK, RESISTOR 100 (1608)
RB881	1-239-412-11	s	NETWORK, RESISTOR 100 (1608)
RB882	1-239-412-11	s	NETWORK, RESISTOR 100 (1608)
RB883	1-239-412-11	s	NETWORK, RESISTOR 100 (1608)
RV300	1-241-785-11	s	RESISTOR, ADJ, CERMET 10K
TP201	1-535-881-21	o	TERMINAL, TP (AUTO INSERTION)
TP202	1-535-881-21	o	TERMINAL, TP (AUTO INSERTION)
TP203	1-535-881-21	o	TERMINAL, TP (AUTO INSERTION)
TP601	1-535-881-21	o	TERMINAL, TP (AUTO INSERTION)
TP602	1-535-881-21	o	TERMINAL, TP (AUTO INSERTION)
TP603	1-535-881-21	o	TERMINAL, TP (AUTO INSERTION)

Ref. No. or Q'ty	Part No.	SP	Description
1pc	3-696-891-03	o	PLATE (S), SHIELD, CARD
1pc	3-696-787-03	o	SHEET (S), CARD
1pc	3-179-084-01	s	LEVER (R), PC BOARD
1pc	3-179-085-01	s	LEVER (L), PC BOARD
1pc	7-682-902-11	s	SCREW +PWH 2.6x5
C101	1-163-037-11	s	CERAMIC, CHIP 0.022uF 10% 25V (2125)
C104	1-163-037-11	s	CERAMIC, CHIP 0.022uF 10% 25V (2125)
C105	1-163-037-11	s	CERAMIC, CHIP 0.022uF 10% 25V (2125)
C200	*4 1-163-113-00	s	CERAMIC, CHIP 68pF 5% 50V (2125)
C201	1-127-517-11	s	ALMUN SOLID 150uF 20% 16V
C202	1-127-517-11	s	ALMUN SOLID 150uF 20% 16V
C203	1-163-037-11	s	CERAMIC, CHIP 0.022uF 10% 25V (2125)
C204	1-163-037-11	s	CERAMIC, CHIP 0.022uF 10% 25V (2125)
C205	1-163-037-11	s	CERAMIC, CHIP 0.022uF 10% 25V (2125)
C206	1-163-037-11	s	CERAMIC, CHIP 0.022uF 10% 25V (2125)
C207	1-163-037-11	s	CERAMIC, CHIP 0.022uF 10% 25V (2125)
C208	1-164-232-11	s	CERAMIC, CHIP 0.01uF 10% 100V (2125)
C209	1-163-037-11	s	CERAMIC, CHIP 0.022uF 10% 25V (2125)
C210	1-163-037-11	s	CERAMIC, CHIP 0.022uF 10% 25V (2125)
C211	1-163-037-11	s	CERAMIC, CHIP 0.022uF 10% 25V (2125)
C212	1-163-121-00	s	CERAMIC, CHIP 150pF 5% 50V (2125)
C213	1-163-037-11	s	CERAMIC, CHIP 0.022uF 10% 25V (2125)
C214	1-163-037-11	s	CERAMIC, CHIP 0.022uF 10% 25V (2125)
C215	*4 1-163-239-11	s	CERAMIC, CHIP 33pF 5% 50V (2125)
C216	*4 1-163-125-00	s	CERAMIC, CHIP 220pF 5% 50V (2125)
C217	*5 1-164-232-11	s	CERAMIC, CHIP 0.01uF 10% 100V (2125)
	*3 1-164-004-11	s	CERAMIC, CHIP 0.1uF 10% 25V (2125)
C251	*4 1-163-037-11	s	CERAMIC, CHIP 0.022uF 10% 25V (2125)
C252	*4 1-163-037-11	s	CERAMIC, CHIP 0.022uF 10% 25V (2125)
C253	*4 1-126-925-11	s	ELECT 470uF 20% 10V
C254	*4 1-126-925-11	s	ELECT 470uF 20% 10V
C301	1-163-275-11	s	CERAMIC, CHIP 0.001uF 5% 50V (2125)
C302	1-127-517-11	s	ALMUN SOLID 150uF 20% 16V
C303	1-163-037-11	s	CERAMIC, CHIP 0.022uF 10% 25V (2125)
C304	1-163-037-11	s	CERAMIC, CHIP 0.022uF 10% 25V (2125)
C305	1-127-517-11	s	ALMUN SOLID 150uF 20% 16V
C306	1-163-037-11	s	CERAMIC, CHIP 0.022uF 10% 25V (2125)
C307	*8 1-163-037-11	s	CERAMIC, CHIP 0.022uF 10% 25V (2125)
C308	1-163-037-11	s	CERAMIC, CHIP 0.022uF 10% 25V (2125)
C309	1-163-037-11	s	CERAMIC, CHIP 0.022uF 10% 25V (2125)
C310	1-163-037-11	s	CERAMIC, CHIP 0.022uF 10% 25V (2125)
C311	1-163-037-11	s	CERAMIC, CHIP 0.022uF 10% 25V (2125)
C312	1-163-037-11	s	CERAMIC, CHIP 0.022uF 10% 25V (2125)
C313	1-126-233-11	s	ELECT 22uF 20% 50V
C314	1-163-037-11	s	CERAMIC, CHIP 0.022uF 10% 25V (2125)
C315	1-163-125-00	s	CERAMIC, CHIP 220pF 5% 50V (2125)
C316	1-163-037-11	s	CERAMIC, CHIP 0.022uF 10% 25V (2125)
C317	1-163-037-11	s	CERAMIC, CHIP 0.022uF 10% 25V (2125)
C318	*8 1-163-037-11	s	CERAMIC, CHIP 0.022uF 10% 25V (2125)
C319	*8 1-135-212-21	s	TANTALUM, CHIP 2.2uF 10% 35V
C320	1-126-233-11	s	ELECT 22uF 20% 50V
C321	1-126-233-11	s	ELECT 22uF 20% 50V
C322	1-163-037-11	s	CERAMIC, CHIP 0.022uF 10% 25V (2125)
C323	1-163-037-11	s	CERAMIC, CHIP 0.022uF 10% 25V (2125)
C324	1-163-037-11	s	CERAMIC, CHIP 0.022uF 10% 25V (2125)
C325	1-163-037-11	s	CERAMIC, CHIP 0.022uF 10% 25V (2125)

Ref. No. or Q'ty	Part No.	SP	Description
C326	*1 1-164-004-11	s	CERAMIC, CHIP 0.1uF 10% 25V (2125)
C327	1-126-233-11	s	ELECT 22uF 20% 50V
C351	*4 1-164-004-11	s	CERAMIC, CHIP 0.1uF 10% 25V (2125)
C352	*a 1-164-004-11	s	CERAMIC, CHIP 0.1uF 10% 25V (2125)
C353	*4 1-163-037-11	s	CERAMIC, CHIP 0.022uF 10% 25V (2125)
C354	*4 1-163-037-11	s	CERAMIC, CHIP 0.022uF 10% 25V (2125)
C355	*4 1-163-037-11	s	CERAMIC, CHIP 0.022uF 10% 25V (2125)
C356	*4 1-163-037-11	s	CERAMIC, CHIP 0.022uF 10% 25V (2125)
C357	*5 1-126-923-11	s	ELECT 220uF 20% 10V
C358	*5 1-126-923-11	s	ELECT 220uF 20% 10V
C401	1-127-517-11	s	ALMUN SOLID 150uF 20% 16V
C402	1-127-517-11	s	ALMUN SOLID 150uF 20% 16V
C403	1-163-037-11	s	CERAMIC, CHIP 0.022uF 10% 25V (2125)
C404	1-163-037-11	s	CERAMIC, CHIP 0.022uF 10% 25V (2125)
C405	1-163-239-11	s	CERAMIC, CHIP 33pF 5% 50V (2125)
C406	1-163-125-00	s	CERAMIC, CHIP 220pF 5% 50V (2125)
C407	1-164-232-11	s	CERAMIC, CHIP 0.01uF 10% 100V (2125)
	(*)1-164-004-11	s	CERAMIC, CHIP 0.1uF 10% 25V (2125)
C408	1-163-037-11	s	CERAMIC, CHIP 0.022uF 10% 25V (2125)
C409	1-163-133-00	s	CERAMIC, CHIP 470pF 5% 50V (2125)
C410	1-163-125-00	s	CERAMIC, CHIP 220pF 5% 50V (2125)
C411	1-163-125-00	s	CERAMIC, CHIP 220pF 5% 50V (2125)
C412	1-163-037-11	s	CERAMIC, CHIP 0.022uF 10% 25V (2125)
C413	1-164-232-11	s	CERAMIC, CHIP 0.01uF 10% 100V (2125)
C414	1-164-004-11	s	CERAMIC, CHIP 0.1uF 10% 25V (2125)
C415	1-163-037-11	s	CERAMIC, CHIP 0.022uF 10% 25V (2125)
C422	1-163-037-11	s	CERAMIC, CHIP 0.022uF 10% 25V (2125)
C423	1-164-232-11	s	CERAMIC, CHIP 0.01uF 10% 100V (2125)
C425	1-162-714-11	s	CERAMIC 150pF 1% 50V
C426	1-164-232-11	s	CERAMIC, CHIP 0.01uF 10% 100V (2125)
C427	1-163-037-11	s	CERAMIC, CHIP 0.022uF 10% 25V (2125)
C428	1-163-037-11	s	CERAMIC, CHIP 0.022uF 10% 25V (2125)
C429	1-163-133-00	s	CERAMIC, CHIP 470pF 5% 50V (2125)
C430	1-164-004-11	s	CERAMIC, CHIP 0.1uF 10% 25V (2125)
C451	*4 1-164-695-11	s	CERAMIC, CHIP 2200pF 5% 50V (2125)
C452	*4 1-163-133-00	s	CERAMIC, CHIP 470pF 5% 50V (2125)
C453	*4 1-163-017-00	s	CERAMIC, CHIP 4700pF 10% 50V (2125)
C454	*4 1-163-037-11	s	CERAMIC, CHIP 0.022uF 10% 25V (2125)
C455	*4 1-163-037-11	s	CERAMIC, CHIP 0.022uF 10% 25V (2125)
C456	*4 1-163-037-11	s	CERAMIC, CHIP 0.022uF 10% 25V (2125)
C457	*4 1-163-037-11	s	CERAMIC, CHIP 0.022uF 10% 25V (2125)
C462	1-163-037-11	s	CERAMIC, CHIP 0.022uF 10% 25V (2125)
C464	*5 1-163-275-11	s	CERAMIC, CHIP 0.001uF 5% 50V (2125)
C465	*5 1-163-275-11	s	CERAMIC, CHIP 0.001uF 5% 50V (2125)
C466	*5 1-163-125-00	s	CERAMIC, CHIP 220pF 5% 50V (2125)
C467	*5 1-163-133-00	s	CERAMIC, CHIP 470pF 5% 50V (2125)
C468	*5 1-163-037-11	s	CERAMIC, CHIP 0.022uF 10% 25V (2125)
C505	*6 1-163-037-11	s	CERAMIC, CHIP 0.022uF 10% 25V (2125)
C506	*6 1-126-157-11	s	ELECT 10uF 20% 16V
C507	*6 1-163-037-11	s	CERAMIC, CHIP 0.022uF 10% 25V (2125)
C508	*6 1-126-157-11	s	ELECT 10uF 20% 16V
C601	1-164-004-11	s	CERAMIC, CHIP 0.1uF 10% 25V (2125)
C603	1-163-037-11	s	CERAMIC, CHIP 0.022uF 10% 25V (2125)
C604	1-163-037-11	s	CERAMIC, CHIP 0.022uF 10% 25V (2125)
C605	1-163-037-11	s	CERAMIC, CHIP 0.022uF 10% 25V (2125)
C606	1-163-037-11	s	CERAMIC, CHIP 0.022uF 10% 25V (2125)

-----  
 \*1: EK model S/N 10001 through 10750, and UC model S/N 10001 through 10020  
 \*3: EK model S/N 10751 through 11200, and UC model S/N 10021 through 10030  
 \*4: EK model S/N 10751 and higher, and UC model S/N 10021 and higher  
 \*5: EK model S/N 11201 and higher, and UC model S/N 10031 and higher

-----  
 \*6: EK model S/N 10001 through 12460, and UC model S/N 10001 through 10130  
 \*8: EK model S/N 10001 through 12930, and UC model S/N 10001 through 10220  
 \*a: EK model S/N 10751 through 12930, and UC model S/N 10021 through 10220  
 (\*?): Some unit within specified “\*?”

Ref. No. or Q'ty	Part No.	SP	Description
C607	1-163-037-11	s	CERAMIC, CHIP 0.022uF 10% 25V (2125)
C608	1-163-037-11	s	CERAMIC, CHIP 0.022uF 10% 25V (2125)
C609	1-163-037-11	s	CERAMIC, CHIP 0.022uF 10% 25V (2125)
C610	1-163-037-11	s	CERAMIC, CHIP 0.022uF 10% 25V (2125)
C611	1-163-037-11	s	CERAMIC, CHIP 0.022uF 10% 25V (2125)
C612	1-126-933-11	s	ELECT 100uF 20% 16V
C613	1-163-037-11	s	CERAMIC, CHIP 0.022uF 10% 25V (2125)
C614	1-163-037-11	s	CERAMIC, CHIP 0.022uF 10% 25V (2125)
C615	1-163-037-11	s	CERAMIC, CHIP 0.022uF 10% 25V (2125)
C616	1-163-037-11	s	CERAMIC, CHIP 0.022uF 10% 25V (2125)
C617	1-163-037-11	s	CERAMIC, CHIP 0.022uF 10% 25V (2125)
C618	1-163-037-11	s	CERAMIC, CHIP 0.022uF 10% 25V (2125)
C619	1-163-037-11	s	CERAMIC, CHIP 0.022uF 10% 25V (2125)
C620	1-163-037-11	s	CERAMIC, CHIP 0.022uF 10% 25V (2125)
C622	1-163-037-11	s	CERAMIC, CHIP 0.022uF 10% 25V (2125)
C623	1-163-037-11	s	CERAMIC, CHIP 0.022uF 10% 25V (2125)
C626	1-126-933-11	s	ELECT 100uF 20% 16V
C627	1-163-037-11	s	CERAMIC, CHIP 0.022uF 10% 25V (2125)
C628	1-163-037-11	s	CERAMIC, CHIP 0.022uF 10% 25V (2125)
C629	1-163-037-11	s	CERAMIC, CHIP 0.022uF 10% 25V (2125)
C630	1-163-037-11	s	CERAMIC, CHIP 0.022uF 10% 25V (2125)
C631	1-126-157-11	s	ELECT 10uF 20% 16V
C632	1-126-157-11	s	ELECT 10uF 20% 16V
C633	1-163-037-11	s	CERAMIC, CHIP 0.022uF 10% 25V (2125)
C634	1-163-037-11	s	CERAMIC, CHIP 0.022uF 10% 25V (2125)
C635	*2 1-163-037-11	s	CERAMIC, CHIP 0.022uF 10% 25V (2125)
C636	*2 1-163-037-11	s	CERAMIC, CHIP 0.022uF 10% 25V (2125)
C637	*2 1-126-933-11	s	ELECT 100uF 20% 16V
C638	*2 1-163-037-11	s	CERAMIC, CHIP 0.022uF 10% 25V (2125)
C640	*4 1-126-925-11	s	ELECT 470uF 20% 10V
C641	*2 1-163-037-11	s	CERAMIC, CHIP 0.022uF 10% 25V (2125)
C642	*4 1-126-925-11	s	ELECT 470uF 20% 10V
C650	*a 1-163-037-11	s	CERAMIC, CHIP 0.022uF 10% 25V (2125)
C651	*3 1-163-275-11	s	CERAMIC, CHIP 0.001uF 5% 50V (2125)
C652	*4 1-163-017-00	s	CERAMIC, CHIP 4700pF 10% 50V (2125)
C653	*3 1-163-037-11	s	CERAMIC, CHIP 0.022uF 10% 25V (2125)
C654	*4 1-163-037-11	s	CERAMIC, CHIP 0.022uF 10% 25V (2125)
C655	*4 1-163-037-11	s	CERAMIC, CHIP 0.022uF 10% 25V (2125)
C656	*4 1-163-037-11	s	CERAMIC, CHIP 0.022uF 10% 25V (2125)
C657	*4 1-163-037-11	s	CERAMIC, CHIP 0.022uF 10% 25V (2125)
C658	*4 1-135-072-21	s	TANTALUM, CHIP 0.22uF 10% 35V
C659	*4 1-163-037-11	s	CERAMIC, CHIP 0.022uF 10% 25V (2125)
C701	1-163-037-11	s	CERAMIC, CHIP 0.022uF 10% 25V (2125)
C702	1-126-933-11	s	ELECT 100uF 20% 16V
C703	1-163-037-11	s	CERAMIC, CHIP 0.022uF 10% 25V (2125)
C704	*8 1-163-037-11	s	CERAMIC, CHIP 0.022uF 10% 25V (2125)
C705	*6 1-163-251-11	s	CERAMIC, CHIP 100pF 5% 50V (2125)
C706	*6 1-164-232-11	s	CERAMIC, CHIP 0.01uF 10% 100V (2125)
C707	*a 1-126-933-11	s	ELECT 100uF 20% 16V
	*1 1-126-157-11	s	ELECT 10uF 20% 16V
C708	*8 1-163-037-11	s	CERAMIC, CHIP 0.022uF 10% 25V (2125)
C709	*6 1-163-037-11	s	CERAMIC, CHIP 0.022uF 10% 25V (2125)
C710	1-163-037-11	s	CERAMIC, CHIP 0.022uF 10% 25V (2125)
C711	*1 1-163-037-11	s	CERAMIC, CHIP 0.022uF 10% 25V (2125)
C712	1-164-004-11	s	CERAMIC, CHIP 0.1uF 10% 25V (2125)
C713	1-163-037-11	s	CERAMIC, CHIP 0.022uF 10% 25V (2125)
C714	*8 1-163-037-11	s	CERAMIC, CHIP 0.022uF 10% 25V (2125)
C715	*8 1-163-037-11	s	CERAMIC, CHIP 0.022uF 10% 25V (2125)
C716	*1 1-163-037-11	s	CERAMIC, CHIP 0.022uF 10% 25V (2125)

-----  
\*1: EK model S/N 10001 through 10750, and UC model S/N 10001 through 10020  
\*2: EK model S/N 10001 through 11200, and UC model S/N 10001 through 10030  
\*3: EK model S/N 10751 through 11200, and UC model S/N 10021 through 10030  
\*4: EK model S/N 10751 and higher, and UC model S/N 10021 and higher  
\*5: EK model S/N 11201 and higher, and UC model S/N 10031 and higher  
\*6: EK model S/N 10001 through 12460, and UC model S/N 10001 through 10130  
BKDW-506

Ref. No. or Q'ty	Part No.	SP	Description
C717	1-126-933-11	s	ELECT 100uF 20% 16V
C718	1-163-037-11	s	CERAMIC, CHIP 0.022uF 10% 25V (2125)
C719	1-163-037-11	s	CERAMIC, CHIP 0.022uF 10% 25V (2125)
C720	1-126-933-11	s	ELECT 100uF 20% 16V
C721	1-163-037-11	s	CERAMIC, CHIP 0.022uF 10% 25V (2125)
C722	1-163-037-11	s	CERAMIC, CHIP 0.022uF 10% 25V (2125)
C723	*6 1-126-157-11	s	ELECT 10uF 20% 16V
C724	*6 1-163-037-11	s	CERAMIC, CHIP 0.022uF 10% 25V (2125)
C725	1-163-037-11	s	CERAMIC, CHIP 0.022uF 10% 25V (2125)
C727	*6 1-163-037-11	s	CERAMIC, CHIP 0.022uF 10% 25V (2125)
C728	*6 1-163-037-11	s	CERAMIC, CHIP 0.022uF 10% 25V (2125)
C729	*6 1-163-037-11	s	CERAMIC, CHIP 0.022uF 10% 25V (2125)
C751	*4 1-164-004-11	s	CERAMIC, CHIP 0.1uF 10% 25V (2125)
C752	*b 1-164-004-11	s	CERAMIC, CHIP 0.1uF 10% 25V (2125)
C754	*5 1-163-037-11	s	CERAMIC, CHIP 0.022uF 10% 25V (2125)
C801	1-163-037-11	s	CERAMIC, CHIP 0.022uF 10% 25V (2125)
C802	1-163-037-11	s	CERAMIC, CHIP 0.022uF 10% 25V (2125)
C803	1-126-933-11	s	ELECT 100uF 20% 16V
C805	1-163-037-11	s	CERAMIC, CHIP 0.022uF 10% 25V (2125)
C808	1-164-004-11	s	CERAMIC, CHIP 0.1uF 10% 25V (2125)
C809	1-163-037-11	s	CERAMIC, CHIP 0.022uF 10% 25V (2125)
C810	1-164-232-11	s	CERAMIC, CHIP 0.01uF 10% 100V (2125)
C811	1-163-037-11	s	CERAMIC, CHIP 0.022uF 10% 25V (2125)
C850	*9 1-163-229-11	s	CERAMIC, CHIP 12pF 5% 50V
C851	*9 1-163-239-11	s	CERAMIC, CHIP 33pF 5% 50V
C852	*9 1-163-259-91	s	CERAMIC, CHIP 220pF 5% 50V
C860	*9 1-104-913-11	s	TANTALUM, CHIP 10uF 20% 16V
C861	*9 1-135-091-00	s	TANTALUM, CHIP 1.0uF 20% 16V
C870	*9 1-163-037-11	s	CERAMIC, CHIP 0.022uF 10% 25V
C901	1-126-933-11	s	ELECT 100uF 20% 16V
C902	1-126-933-11	s	ELECT 100uF 20% 16V
C903	1-126-933-11	s	ELECT 100uF 20% 16V
C904	1-126-933-11	s	ELECT 100uF 20% 16V
C905	1-126-933-11	s	ELECT 100uF 20% 16V
C906	1-126-933-11	s	ELECT 100uF 20% 16V
C907	1-126-933-11	s	ELECT 100uF 20% 16V
C908	1-126-933-11	s	ELECT 100uF 20% 16V
C909	1-163-037-11	s	CERAMIC, CHIP 0.022uF 10% 25V (2125)
C910	1-163-037-11	s	CERAMIC, CHIP 0.022uF 10% 25V (2125)
C911	1-126-933-11	s	ELECT 100uF 20% 16V
C912	1-126-933-11	s	ELECT 100uF 20% 16V
C913	1-126-933-11	s	ELECT 100uF 20% 16V
C914	1-126-933-11	s	ELECT 100uF 20% 16V
C915	*4 1-126-964-11	s	ELECT 10uF 20% 50V
C916	*4 1-126-964-11	s	ELECT 10uF 20% 50V
C917	*4 1-126-933-11	s	ELECT 100uF 20% 16V
C918	*4 1-163-037-11	s	CERAMIC, CHIP 0.022uF 10% 25V (2125)
C1001	*1 1-126-925-11	s	ELECT 470uF 20% 10V
C1002	*1 1-126-925-11	s	ELECT 470uF 20% 10V
C1003	*1 1-162-748-11	s	CERAMIC 62pF 5% 50V
C1004(*1)	1-162-871-11	s	CERAMIC 47pF 5% 50V
C1005	*1 1-161-055-00	s	CERAMIC 0.022uF 10% 50V
C1006	*1 1-131-343-00	s	TANTALUM 0.22uF 10% 35V
C1007(*1)	1-162-879-11	s	CERAMIC 100pF 5% 50V
C1008(*1)	1-126-925-11	s	ELECT 470uF 20% 10V
C1009(*1)	1-126-925-11	s	ELECT 470uF 20% 10V
C1101	*3 1-130-473-00	s	FILE 0.0015uF 5% 50V
CN100	1-750-795-21	s	CONNECTOR, PHEC 120P, MALE

-----  
\*8: EK model S/N 10001 through 12930, and UC model S/N 10001 through 10220  
\*a: EK model S/N 10751 through 12930, and UC model S/N 10021 through 10220  
\*b: EK model S/N 11201 through 12930, and UC model S/N 10031 through 10220  
\*9: EK model S/N 12931 and higher, and UC model S/N 10221 and higher  
(\*?): Some unit within specified "\*?"

(DEC-65 BOARD/BKDW-506, suffix 11 through 14)

Ref. No. or Q'ty	Part No.	SP	Description
CP501	1-760-263-11	s	VCO, CRYSTAL 35.468950 MHz
D101	8-719-023-69	s	DIODE SB007T03Q
D102	8-719-023-69	s	DIODE SB007T03Q
D103	8-719-023-69	s	DIODE SB007T03Q
D301	*9 8-719-024-81	s	DIODE 1SS300
	*8 8-719-123-82	s	DIODE 1SS303
D302	*5 8-719-941-23	s	DIODE DA204U
D401	*9 8-719-024-81	s	DIODE 1SS300
	*a 8-719-123-82	s	DIODE 1SS303
D701	*9 8-719-024-81	s	DIODE 1SS300
	*8 8-719-123-82	s	DIODE 1SS303
D702	*9 8-719-069-99	s	DIODE 1SS375-TL
D703	*9 8-719-024-81	s	DIODE 1SS300
D1001	*8 8-719-109-51	s	DIODE RD2.0ES-B2
D1002	*8 8-719-911-19	s	DIODE 1SS119
D1003	*1 8-719-911-19	s	DIODE 1SS119
D1004	*1 8-719-911-19	s	DIODE 1SS119
D1005	*1 8-719-911-19	s	DIODE 1SS119
D1006	*1 8-719-911-19	s	DIODE 1SS119
D1007	*1 8-719-101-98	s	DIODE 1SS97-0
D1008	*1 8-719-911-19	s	DIODE 1SS119
D1101	*4 8-719-911-19	s	DIODE 1SS119
D1102	*4 8-719-101-98	s	DIODE 1SS97-0
D1103	*3 8-719-911-19	s	DIODE 1SS119
D1104	*3 8-719-911-19	s	DIODE 1SS119
FL201	1-239-721-11	s	FILTER, LOW-PASS
FL601	1-239-719-31	s	FILTER, NOISE, CHIP
FL602	1-239-719-31	s	FILTER, NOISE, CHIP
FL603	1-239-719-31	s	FILTER, NOISE, CHIP
FL604	1-239-719-31	s	FILTER, NOISE, CHIP
FL605	1-239-719-31	s	FILTER, NOISE, CHIP
FL606	1-239-719-31	s	FILTER, NOISE, CHIP
FL607	1-239-719-31	s	FILTER, NOISE, CHIP
FL608	1-239-719-31	s	FILTER, NOISE, CHIP
FL609	1-239-719-31	s	FILTER, NOISE, CHIP
FL610	1-239-719-31	s	FILTER, NOISE, CHIP
FL611	1-239-719-31	s	FILTER, NOISE, CHIP
FL612	1-239-719-31	s	FILTER, NOISE, CHIP
FL613	1-239-719-31	s	FILTER, NOISE, CHIP
FL614	1-239-719-31	s	FILTER, NOISE, CHIP
FL615	1-239-719-31	s	FILTER, NOISE, CHIP
FL701	*6 1-239-719-31	s	FILTER, NOISE, CHIP
FL702	*6 1-239-719-31	s	FILTER, NOISE, CHIP
FL703	*6 1-239-719-31	s	FILTER, NOISE, CHIP
IC101	8-759-926-49	s	IC SN74HC245ANS
IC103	8-759-985-55	s	IC 74AC245SJ
IC201	8-759-262-03	s	IC MC14577CF
	(*1)8-752-015-81	s	IC CX20158
IC202	8-759-182-47	s	IC CLC520AJE-L
IC203	8-752-052-77	s	IC CXA1450M
IC204	*4 8-759-098-16	s	IC LT1227CS8
IC301	8-759-430-21	s	IC MSM6524GS-KR1
IC302	*9 8-759-230-44	s	IC TC7S04F
	*8 8-759-031-84	s	IC SC7S04F
IC303	*9 8-759-234-20	s	IC TC7S08F
	*8 8-759-234-20	s	IC TC7S08F

(DEC-65 BOARD/BKDW-506, suffix 11 through 14)

Ref. No. or Q'ty	Part No.	SP	Description
IC304	*9 8-759-399-33	s	IC MC34184MEL
	*8 8-759-014-29	s	IC MC34184M
IC305	*8 8-759-711-52	s	IC NJU8001M
IC306	*9 8-759-399-33	s	IC MC34184MEL
	*8 8-759-014-29	s	IC MC34184M
IC307	*9 8-759-367-80	s	IC MC14053BFEL
	*8 8-759-300-71	s	IC HD14053BFP
IC308	*9 8-759-256-52	s	IC MC34182MEL
	*8 8-759-030-16	s	IC MC34182M
IC309	*9 8-759-256-52	s	IC MC34182MEL
	*a 8-759-030-16	s	IC MC34182M
IC310	*9 8-759-367-80	s	IC MC14053BFEL
	*a 8-759-300-71	s	IC HD14053BFP
IC401	8-759-987-27	s	IC LM1881M
IC402	*9 8-759-381-57	s	IC TC74HC221AF
	*8 8-759-239-58	s	IC TC74HC221AF
IC403	8-759-262-03	s	IC MC14577CF
IC404	*9 8-759-385-13	s	IC TC74HC123AF
	*8 8-759-239-55	s	IC TC74HC123AF
IC405	*9 8-759-234-11	s	IC TC7S32F
	*8 8-759-035-93	s	IC SC7S32F
IC406	*9 8-759-256-52	s	IC MC34182MEL
	*8 8-759-030-16	s	IC MC34182M
IC407	8-759-702-08	s	IC NJM360M
IC408	8-759-702-08	s	IC NJM360M
IC451	*4 8-759-907-81	s	IC SN74LS221NS
IC452	*4 8-759-902-88	s	IC SN74LS123NS
IC453	*4 8-759-925-90	s	IC SN74HC74ANS
IC454	*9 8-759-234-11	s	IC TC7S32F
	*a 8-759-035-93	s	IC SC7S32F
IC455	*5 8-759-907-81	s	IC SN74LS221NS
IC502	*6 8-759-985-55	s	IC 74AC245SJ
IC503	*6 8-759-985-55	s	IC 74AC245SJ
IC601	8-759-261-51	s	IC AD9040AJN
IC602	*9 8-759-440-94	s	IC SN74LVT245ANS
	*8 8-759-175-61	s	IC SN74LVT245NS
IC603	*9 8-759-440-94	s	IC SN74LVT245ANS
	*8 8-759-175-61	s	IC SN74LVT245NS
IC604	8-759-174-09	s	IC CXD8381Q
IC605	*5 8-752-375-22	s	IC CXD304-106Q
	*2 8-759-177-16	s	IC CXD8860Q
IC606	8-759-175-92	s	IC CXD8819Q
IC607	*9 8-759-440-94	s	IC SN74LVT245ANS
	*8 8-759-175-61	s	IC SN74LVT245NS
IC608	*9 8-759-440-94	s	IC SN74LVT245ANS
	*8 8-759-175-61	s	IC SN74LVT245NS
IC609	*2 8-759-031-84	s	IC SC7S04F
IC610	*2 8-759-925-90	s	IC SN74HC74ANS
IC611	*3 8-759-234-20	s	IC TC7S08F
IC612	*2 8-759-907-81	s	IC SN74LS221NS
IC613	*a 8-759-925-90	s	IC SN74HC74ANS
IC614	*4 8-759-907-81	s	IC SN74LS221NS
IC615	*2 8-759-234-20	s	IC TC7S08F
IC616	*4 8-759-926-23	s	IC SN74HC163ANS

\*1: EK model S/N 10001 through 10750, and UC model S/N 10001 through 10020  
 \*2: EK model S/N 10001 through 11200, and UC model S/N 10001 through 10030  
 \*3: EK model S/N 10751 through 11200, and UC model S/N 10021 through 10030  
 \*4: EK model S/N 10751 and higher, and UC model S/N 10021 and higher  
 \*5: EK model S/N 11201 and higher, and UC model S/N 10031 and higher

\*6: EK model S/N 10001 through 12460, and UC model S/N 10001 through 10130  
 \*8: EK model S/N 10001 through 12930, and UC model S/N 10001 through 10220  
 \*9: EK model S/N 12931 and higher, and UC model S/N 10221 and higher  
 \*a: EK model S/N 10751 through 12930, and UC model S/N 10021 through 10220  
 (\*?): Some unit within specified “\*?”

(DEC-65 BOARD/BKDW-506, suffix 11 through 14)

Ref. No. or Q'ty	Part No.	SP	Description
IC617	*4 8-759-926-23	s	IC SN74HC163ANS
IC618	*9 8-759-230-44	s	IC TC7S04F
	*a 8-759-031-84	s	IC SC7S04F
IC619	*9 8-759-185-83	s	IC TC74VHC157F
	*a 8-759-985-36	s	IC 74AC157SJ
IC701	*6 8-759-300-71	s	IC HD14053BFP
IC703	*6 8-759-985-26	s	IC 74AC74SJ
IC704	*6 8-752-306-51	s	IC CX23065A
IC705	*9 8-759-399-33	s	IC MC34184MEL
	*8 8-759-014-29	s	IC MC34184M
IC706	8-759-985-17	s	IC 74AC04SJ
IC707	*9 8-759-188-53	s	IC 74ACT245SJX
	*8 8-759-985-55	s	IC 74AC245SJ
IC708	8-759-985-55	s	IC 74AC245SJ
IC709	*6 8-759-985-55	s	IC 74AC245SJ
IC710	*6 8-759-031-84	s	IC SC7S04F
IC711	*6 8-759-031-84	s	IC SC7S04F
IC712	*5 8-759-987-82	s	IC 74AC00SJ
IC801	8-752-334-55	s	IC CXD1175M
IC802	*9 8-759-256-52	s	IC MC34182MEL
	*8 8-759-030-16	s	IC MC34182M
IC860	*9 8-759-030-61	s	IC TL431CML
IC870	*9 8-759-395-37	s	IC XRD7523AID-JTR
IC901	8-759-052-52	s	IC L78M05T-FA
IC902	8-759-822-95	s	IC L79M05T-FA
IC903	8-759-052-52	s	IC L78M05T-FA
IC904	8-759-822-95	s	IC L79M05T-FA
IC905	*4 8-759-030-61	s	IC TL431CM
L201	*5 1-410-381-11	s	INDUCTOR, CHIP 10uH
	*3 -----	-	JUMPER, WIRE
	*1 1-410-393-11	s	INDUCTOR, CHIP 100uH
	(*1)1-410-385-11	s	INDUCTOR, CHIP 22uH
L202	1-410-385-11	s	INDUCTOR, CHIP 22uH
	(*1)1-410-393-11	s	INDUCTOR, CHIP 100uH
L203	*4 1-410-393-11	s	INDUCTOR, CHIP 100uH
L301	1-410-393-11	s	INDUCTOR, CHIP 100uH
L302	1-410-393-11	s	INDUCTOR, CHIP 100uH
L401	1-410-385-11	s	INDUCTOR, CHIP 22uH
	(*1)1-410-393-11	s	INDUCTOR, CHIP 100uH
L402	1-410-385-11	s	INDUCTOR, CHIP 22uH
	(*1)1-410-393-11	s	INDUCTOR, CHIP 100uH
L403	*9 1-410-393-11	s	INDUCTOR, CHIP 100uH
	*8 1-408-982-11	s	INDUCTOR 100uH
L502	*6 1-410-803-11	s	INDUCTOR, CHIP 0.047uH
L503	*6 1-410-803-11	s	INDUCTOR, CHIP 0.047uH
L601	1-410-803-11	s	INDUCTOR, CHIP 0.047uH
L602	1-410-803-11	s	INDUCTOR, CHIP 0.047uH
L701	1-410-393-11	s	INDUCTOR, CHIP 100uH
L702	*8 1-410-393-11	s	INDUCTOR, CHIP 100uH
L703	1-410-393-11	s	INDUCTOR, CHIP 100uH
L704	*6 1-410-803-11	s	INDUCTOR, CHIP 0.047uH
L801	1-410-393-11	s	INDUCTOR, CHIP 100uH
L850	*9 1-410-393-11	s	INDUCTOR, CHIP 100uH
L901	1-412-526-11	s	INDUCTOR 12uH
L902	1-412-526-11	s	INDUCTOR 12uH
L903	1-412-526-11	s	INDUCTOR 12uH
L904	1-412-526-11	s	INDUCTOR 12uH

\*1: EK model S/N 10001 through 10750, and UC model S/N 10001 through 10020  
 \*2: EK model S/N 10001 through 11200, and UC model S/N 10001 through 10030  
 \*3: EK model S/N 10751 through 11200, and UC model S/N 10021 through 10030  
 \*4: EK model S/N 10751 and higher, and UC model S/N 10021 and higher  
 \*5: EK model S/N 11201 and higher, and UC model S/N 10031 and higher  
 \*6: EK model S/N 10001 through 12460, and UC model S/N 10001 through 10130

(DEC-65 BOARD/BKDW-506, suffix 11 through 14)

Ref. No. or Q'ty	Part No.	SP	Description
PS901*	EΔ 1-533-348-11	s	LINK, IC, CHIP 4A
PS901*	UΔ 1-533-272-11	s	FUSE, CHIP 125V 4A
Q201	8-729-117-32	s	TRANSISTOR 2SC4177-L6
Q202	8-729-117-32	s	TRANSISTOR 2SC4177-L6
Q203	*4 8-729-117-32	s	TRANSISTOR 2SC4177-L6
Q204	*4 8-729-117-32	s	TRANSISTOR 2SC4177-L6
Q205	*4 8-729-140-63	s	TRANSISTOR 2SA1611-M5M6
Q206	*4 8-729-209-07	s	TRANSISTOR 2SC4213-B
Q207	*4 8-729-140-63	s	TRANSISTOR 2SA1611-M5M6
Q301	8-729-117-32	s	TRANSISTOR 2SC4177-L6
Q302	8-729-904-41	s	TRANSISTOR FMY3
Q401	8-729-140-63	s	TRANSISTOR 2SA1611-M5M6
Q402	8-729-143-07	s	TRANSISTOR 2SA1610-Y33
Q403	8-729-143-07	s	TRANSISTOR 2SA1610-Y33
Q405	8-729-118-56	s	TRANSISTOR 2SK852-X2
Q406	8-729-140-63	s	TRANSISTOR 2SA1611-M5M6
Q601	*9 8-729-029-14	s	TRANSISTOR DTC144EUA
	*8 8-729-905-18	s	TRANSISTOR DTC144EU
Q602	*2 8-729-905-18	s	TRANSISTOR DTC144EU
Q603	*3 8-729-905-18	s	TRANSISTOR DTC144EU
Q604	*3 8-729-905-18	s	TRANSISTOR DTC144EU
Q605	*7 8-729-905-18	s	TRANSISTOR DTC144EU
Q701	*6 8-729-905-18	s	TRANSISTOR DTC144EU
Q702	*6 8-729-905-18	s	TRANSISTOR DTC144EU
Q801	8-729-904-41	s	TRANSISTOR FMY3
Q901	*4 8-729-106-68	s	TRANSISTOR 2SC1615A-GP
Q1001	*1 8-729-143-07	s	TRANSISTOR 2SA1610-Y33
R104	1-216-089-00	s	METAL, CHIP 47K 5% 1/10W (2125)
R105	1-216-089-00	s	METAL, CHIP 47K 5% 1/10W (2125)
R106	1-216-089-00	s	METAL, CHIP 47K 5% 1/10W (2125)
R107	1-216-073-00	s	METAL, CHIP 10K 5% 1/10W (2125)
R108	1-216-097-00	s	METAL, CHIP 100K 5% 1/10W (2125)
R109	1-216-033-00	s	METAL, CHIP 220 5% 1/10W (2125)
R110	1-216-033-00	s	METAL, CHIP 220 5% 1/10W (2125)
R111	1-216-033-00	s	METAL, CHIP 220 5% 1/10W (2125)
R116	1-216-089-00	s	METAL, CHIP 47K 5% 1/10W (2125)
R117	1-216-089-00	s	METAL, CHIP 47K 5% 1/10W (2125)
R118	1-216-089-00	s	METAL, CHIP 47K 5% 1/10W (2125)
R119	1-216-073-00	s	METAL, CHIP 10K 5% 1/10W (2125)
R120	1-216-089-00	s	METAL, CHIP 47K 5% 1/10W (2125)
R121	1-216-097-00	s	METAL, CHIP 100K 5% 1/10W (2125)
R122	1-216-033-00	s	METAL, CHIP 220 5% 1/10W (2125)
R123	1-216-049-00	s	METAL, CHIP 1.0K 5% 1/10W (2125)
R124	1-216-049-00	s	METAL, CHIP 1.0K 5% 1/10W (2125)
R125	1-216-049-00	s	METAL, CHIP 1.0K 5% 1/10W (2125)
R127	1-216-097-00	s	METAL, CHIP 100K 5% 1/10W (2125)
R200	*4 1-216-009-00	s	METAL, CHIP 22 5% 1/10W (2125)
R201	1-216-624-11	s	METAL, CHIP 75 0.5% 1/10W (2125)
R202	1-216-631-11	s	METAL, CHIP 150 0.5% 1/10W (2125)
R203	1-216-624-11	s	METAL, CHIP 75 0.5% 1/10W (2125)
R204	*4 1-216-632-11	s	METAL, CHIP 160 0.5% 1/10W (2125)
	*1 1-216-633-11	s	METAL, CHIP 180 0.5% 1/10W (2125)
R205	*9 1-216-663-11	s	METAL, CHIP 3.3K 0.5% 1/10W
	*8 1-216-049-00	s	METAL, CHIP 1.0K 5% 1/10W (2125)
R206	1-216-073-00	s	METAL, CHIP 10K 5% 1/10W (2125)

\*7: EK model S/N 11201 through 12460, and UC model S/N 10031 through 10130  
 \*8: EK model S/N 10001 through 12930, and UC model S/N 10001 through 10220  
 \*9: EK model S/N 12931 and higher, and UC model S/N 10221 and higher  
 \*E: For EK model only  
 \*U: For UC model only  
 (\*?): Some unit within specified "\*?"

Ref. No. or Q'ty	Part No.	SP	Description
R207	1-216-651-11	s	METAL, CHIP 1.0K 0.5% 1/10W (2125)
R208	*4 1-216-009-00	s	METAL, CHIP 22 5% 1/10W (2125)
	*1 1-216-651-11	s	METAL, CHIP 1.0K 0.5% 1/10W (2125)
R209	*4 1-216-624-11	s	METAL, CHIP 75 0.5% 1/10W (2125)
	*1 1-216-630-11	s	METAL, CHIP 130 0.5% 1/10W (2125)
R210	1-216-057-00	s	METAL, CHIP 2.2K 5% 1/10W (2125)
R211	1-216-017-00	s	METAL, CHIP 47 5% 1/10W (2125)
R212	*4 1-216-656-11	s	METAL, CHIP 1.6K 0.5% 1/10W (2125)
R213	1-216-624-11	s	METAL, CHIP 75 0.5% 1/10W (2125)
R214	1-216-057-00	s	METAL, CHIP 2.2K 5% 1/10W (2125)
R215	*4 1-216-017-00	s	METAL, CHIP 47 5% 1/10W (2125)
	*1 1-216-295-00	s	METAL, CHIP 0 (2125)
R216	*4 1-216-009-00	s	METAL, CHIP 22 5% 1/10W (2125)
	*1 1-216-295-00	s	METAL, CHIP 0 (2125)
R217	*4 1-216-057-00	s	METAL, CHIP 2.2K 5% 1/10W (2125)
R218	*4 1-216-651-11	s	METAL, CHIP 1.0K 0.5% 1/10W (2125)
R219	*4 1-216-057-00	s	METAL, CHIP 2.2K 5% 1/10W (2125)
R220	*4 1-216-009-00	s	METAL, CHIP 22 5% 1/10W (2125)
R221	*4 1-216-057-00	s	METAL, CHIP 2.2K 5% 1/10W (2125)
R222	*4 1-216-649-11	s	METAL, CHIP 820 0.5% 1/10W (2125)
R223	*4 1-216-049-00	s	METAL, CHIP 1.0K 5% 1/10W (2125)
R224	*4 1-216-053-00	s	METAL, CHIP 1.5K 5% 1/10W (2125)
R225	*4 1-216-017-00	s	METAL, CHIP 47 5% 1/10W (2125)
R301	1-216-049-00	s	METAL, CHIP 1.0K 5% 1/10W (2125)
R302	1-208-806-11	s	METAL, CHIP 10K 0.5% 1/10W (2125)
R303	1-216-687-11	s	METAL, CHIP 33K 0.5% 1/10W (2125)
R304	1-216-661-11	s	METAL, CHIP 2.7K 0.5% 1/10W (2125)
R305	1-208-806-11	s	METAL, CHIP 10K 0.5% 1/10W (2125)
R306	1-208-806-11	s	METAL, CHIP 10K 0.5% 1/10W (2125)
R307	1-208-775-11	s	METAL, CHIP 510 0.5% 1/10W (2125)
R308	1-216-049-00	s	METAL, CHIP 1.0K 5% 1/10W (2125)
R309	1-216-097-00	s	METAL, CHIP 100K 5% 1/10W (2125)
R310	1-216-049-00	s	METAL, CHIP 1.0K 5% 1/10W (2125)
R311	1-208-812-11	s	METAL, CHIP 18K 0.5% 1/10W (2125)
R312	*4 1-216-665-11	s	METAL, CHIP 3.9K 0.5% 1/10W (2125)
	*1 1-216-667-11	s	METAL, CHIP 4.7K 0.5% 1/10W (2125)
R313	1-216-057-00	s	METAL, CHIP 2.2K 5% 1/10W (2125)
R315	*8 1-216-688-11	s	METAL, CHIP 36K 0.5% 1/10W (2125)
R316	*8 1-216-679-11	s	METAL, CHIP 15K 0.5% 1/10W (2125)
R317	*8 1-216-081-00	s	METAL, CHIP 22K 5% 1/10W (2125)
R318	*8 1-216-049-00	s	METAL, CHIP 1.0K 5% 1/10W (2125)
R319	1-216-049-00	s	METAL, CHIP 1.0K 5% 1/10W (2125)
R320	1-216-121-00	s	METAL, CHIP 1.0M 5% 1/10W (2125)
R321	*8 1-216-049-00	s	METAL, CHIP 1.0K 5% 1/10W (2125)
R322	*5 1-216-679-11	s	METAL, CHIP 15K 0.5% 1/10W (2125)
	*3 1-216-678-11	s	METAL, CHIP 13K 0.5% 1/10W (2125)
R351	*4 1-216-049-00	s	METAL, CHIP 1.0K 5% 1/10W (2125)
R352	*4 1-216-097-00	s	METAL, CHIP 100K 5% 1/10W (2125)
R353	*4 1-216-073-00	s	METAL, CHIP 10K 5% 1/10W (2125)
R354	*4 1-216-057-00	s	METAL, CHIP 2.2K 5% 1/10W (2125)
R355	*5 1-216-659-11	s	METAL, CHIP 2.2K 0.5% 1/10W (2125)
R356	*5 1-216-049-00	s	METAL, CHIP 1.0K 5% 1/10W (2125)
R401	1-216-649-11	s	METAL, CHIP 820 0.5% 1/10W (2125)
R402	1-216-049-00	s	METAL, CHIP 1.0K 5% 1/10W (2125)
R403	1-216-049-00	s	METAL, CHIP 1.0K 5% 1/10W (2125)
R404	1-216-661-11	s	METAL, CHIP 2.7K 0.5% 1/10W (2125)
R405	1-216-667-11	s	METAL, CHIP 4.7K 0.5% 1/10W (2125)

Ref. No. or Q'ty	Part No.	SP	Description
R406	1-216-057-00	s	METAL, CHIP 2.2K 5% 1/10W (2125)
R407	1-216-073-00	s	METAL, CHIP 10K 5% 1/10W (2125)
R408	1-216-057-00	s	METAL, CHIP 2.2K 5% 1/10W (2125)
R409	1-216-073-00	s	METAL, CHIP 10K 5% 1/10W (2125)
R410	1-216-661-11	s	METAL, CHIP 2.7K 0.5% 1/10W (2125)
R411	1-216-651-11	s	METAL, CHIP 1.0K 0.5% 1/10W (2125)
R412	1-216-651-11	s	METAL, CHIP 1.0K 0.5% 1/10W (2125)
R413	1-216-065-00	s	METAL, CHIP 4.7K 5% 1/10W (2125)
R424	1-216-049-00	s	METAL, CHIP 1.0K 5% 1/10W (2125)
R425	1-216-655-11	s	METAL, CHIP 1.5K 0.5% 1/10W (2125)
R426	1-216-667-11	s	METAL, CHIP 4.7K 0.5% 1/10W (2125)
R427	1-216-671-11	s	METAL, CHIP 6.8K 0.5% 1/10W (2125)
R428	1-216-673-11	s	METAL, CHIP 8.2K 0.5% 1/10W (2125)
R429	1-216-025-00	s	METAL, CHIP 100 5% 1/10W (2125)
R430	*4 1-216-659-11	s	METAL, CHIP 2.2K 0.5% 1/10W (2125)
	*1 1-216-655-11	s	METAL, CHIP 1.5K 0.5% 1/10W (2125)
R431	1-216-033-00	s	METAL, CHIP 220 5% 1/10W (2125)
R432	1-216-097-00	s	METAL, CHIP 100K 5% 1/10W (2125)
R433	1-216-671-11	s	METAL, CHIP 6.8K 0.5% 1/10W (2125)
R434	*4 1-208-800-11	s	METAL, CHIP 5.6K 0.5% 1/10W (2125)
	*1 1-208-789-11	s	METAL, CHIP 2.0K 0.5% 1/10W (2125)
R435	1-216-655-11	s	METAL, CHIP 1.5K 0.5% 1/10W (2125)
R436	*4 1-208-789-11	s	METAL, CHIP 2.0K 0.5% 1/10W (2125)
	*1 1-216-649-11	s	METAL, CHIP 820 0.5% 1/10W (2125)
R437	1-216-117-00	s	METAL, CHIP 680K 5% 1/10W (2125)
R451	*4 1-208-806-11	s	METAL, CHIP 10K 0.5% 1/10W (2125)
R452	*5 1-208-799-11	s	METAL, CHIP 5.1K 0.5% 1/10W (2125)
	*3 1-208-789-11	s	METAL, CHIP 2.0K 0.5% 1/10W (2125)
R453	*4 1-216-665-11	s	METAL, CHIP 3.9K 0.5% 1/10W (2125)
R454	*4 1-216-671-11	s	METAL, CHIP 6.8K 0.5% 1/10W (2125)
R455	*4 1-216-077-00	s	METAL, CHIP 15K 5% 1/10W (2125)
R456	*4 1-216-670-11	s	METAL, CHIP 6.2K 0.5% 1/10W (2125)
R457	*4 1-216-065-00	s	METAL, CHIP 4.7K 5% 1/10W (2125)
R458	*5 1-216-694-11	s	METAL, CHIP 62K 0.5% 1/10W (2125)
R459	*5 1-208-812-11	s	METAL, CHIP 18K 0.5% 1/10W (2125)
R460	*5 1-216-661-11	s	METAL, CHIP 2.7K 0.5% 1/10W (2125)
R461	*5 1-216-049-00	s	METAL, CHIP 1.0K 5% 1/10W (2125)
R462	*5 1-216-682-11	s	METAL, CHIP 20K 0.5% 1/10W (2125)
R501	*6 1-216-033-00	s	METAL, CHIP 220 5% 1/10W (2125)
R503	*6 1-216-033-00	s	METAL, CHIP 220 5% 1/10W (2125)
R504	*6 1-216-033-00	s	METAL, CHIP 220 5% 1/10W (2125)
R505	*6 1-216-033-00	s	METAL, CHIP 220 5% 1/10W (2125)
R506	*1 1-216-295-00	s	METAL, CHIP 0 (2125)
R507	*6 1-216-033-00	s	METAL, CHIP 220 5% 1/10W (2125)
R508	*6 1-216-033-00	s	METAL, CHIP 220 5% 1/10W (2125)
R509	*6 1-216-033-00	s	METAL, CHIP 220 5% 1/10W (2125)
R510	*6 1-216-033-00	s	METAL, CHIP 220 5% 1/10W (2125)
R511	*6 1-216-033-00	s	METAL, CHIP 220 5% 1/10W (2125)
R512	*6 1-216-033-00	s	METAL, CHIP 220 5% 1/10W (2125)
R513	*6 1-216-033-00	s	METAL, CHIP 220 5% 1/10W (2125)
R514	*6 1-216-033-00	s	METAL, CHIP 220 5% 1/10W (2125)
R515	*6 1-216-033-00	s	METAL, CHIP 220 5% 1/10W (2125)
R516	*6 1-216-033-00	s	METAL, CHIP 220 5% 1/10W (2125)
R517	*6 1-216-033-00	s	METAL, CHIP 220 5% 1/10W (2125)
R522	*1 1-216-295-00	s	METAL, CHIP 0 (2125)
R524	*6 1-216-295-00	s	METAL, CHIP 0 (2125)
R621	*1 1-216-295-00	s	METAL, CHIP 0 (2125)
R622	1-216-097-00	s	METAL, CHIP 100K 5% 1/10W (2125)

\*1: EK model S/N 10001 through 10750, and UC model S/N 10001 through 10020  
 \*3: EK model S/N 10751 through 11200, and UC model S/N 10021 through 10030  
 \*4: EK model S/N 10751 and higher, and UC model S/N 10021 and higher

\*5: EK model S/N 11201 and higher, and UC model S/N 10031 and higher  
 \*6: EK model S/N 10001 through 12460, and UC model S/N 10001 through 10130  
 \*8: EK model S/N 10001 through 12930, and UC model S/N 10001 through 10220



(DEC-65 BOARD/BKDW-506, suffix 11 through 14)

(DEC-65 BOARD/BKDW-506, suffix 11 through 14)

Ref. No. or Q'ty	Part No.	SP	Description
R623	1-216-295-00	s	METAL, CHIP 0 (2125)
R624	1-216-097-00	s	METAL, CHIP 100K 5% 1/10W (2125)
R625	1-216-073-00	s	METAL, CHIP 10K 5% 1/10W (2125)
R626	1-216-049-00	s	METAL, CHIP 1.0K 5% 1/10W (2125)
R627	1-216-017-00	s	METAL, CHIP 47 5% 1/10W (2125)
R628	1-216-017-00	s	METAL, CHIP 47 5% 1/10W (2125)
R629	1-216-017-00	s	METAL, CHIP 47 5% 1/10W (2125)
R630	*2 1-216-097-00	s	METAL, CHIP 100K 5% 1/10W (2125)
R631	*2 1-216-057-00	s	METAL, CHIP 2.2K 5% 1/10W (2125)
R636	*2 1-216-073-00	s	METAL, CHIP 10K 5% 1/10W (2125)
R651	*3 1-216-073-00	s	METAL, CHIP 10K 5% 1/10W (2125)
R652	*3 1-216-073-00	s	METAL, CHIP 10K 5% 1/10W (2125)
R653	*3 1-216-073-00	s	METAL, CHIP 10K 5% 1/10W (2125)
R658	*4 1-216-295-00	s	METAL, CHIP 0 (2125)
R659	*4 1-216-295-00	s	METAL, CHIP 0 (2125)
R660	*4 1-216-295-00	s	METAL, CHIP 0 (2125)
R661	*4 1-216-295-00	s	METAL, CHIP 0 (2125)
R665	*9 1-216-295-91	s	METAL, CHIP 0
	*a 1-216-097-00	s	METAL, CHIP 100K 5% 1/10W (2125)
R666	*4 1-216-295-00	s	METAL, CHIP 0 (2125)
R667	*4 1-216-295-00	s	METAL, CHIP 0 (2125)
R668	*4 1-216-295-00	s	METAL, CHIP 0 (2125)
R670	*3 1-216-295-00	s	METAL, CHIP 0 (2125)
R671	*3 1-216-097-00	s	METAL, CHIP 100K 5% 1/10W (2125)
R672	*4 1-216-665-11	s	METAL, CHIP 3.9K 0.5% 1/10W (2125)
R673	*4 1-216-067-00	s	METAL, CHIP 5.6K 5% 1/10W (2125)
R674	*5 1-216-073-00	s	METAL, CHIP 10K 5% 1/10W (2125)
R701	1-216-029-00	s	METAL, CHIP 150 5% 1/10W (2125)
	(*3)1-216-295-00	s	METAL, CHIP 0 (2125)
R702	*6 1-216-295-00	s	METAL, CHIP 0 (2125)
R704	*6 1-216-073-00	s	METAL, CHIP 10K 5% 1/10W (2125)
R705	*6 1-216-073-00	s	METAL, CHIP 10K 5% 1/10W (2125)
R706	*6 1-216-295-00	s	METAL, CHIP 0 (2125)
R707	*6 1-216-089-00	s	METAL, CHIP 47K 5% 1/10W (2125)
R709	*5 1-216-687-11	s	METAL, CHIP 33K 0.5% 1/10W (2125)
	*1 1-208-806-11	s	METAL, CHIP 10K 0.5% 1/10W (2125)
R710	1-216-674-11	s	METAL, CHIP 9.1K 0.5% 1/10W (2125)
R711	*4 1-216-679-11	s	METAL, CHIP 15K 0.5% 1/10W (2125)
	*1 1-208-806-11	s	METAL, CHIP 10K 0.5% 1/10W (2125)
R712	*6 1-216-295-00	s	METAL, CHIP 0 (2125)
R713	1-216-077-00	s	METAL, CHIP 15K 5% 1/10W (2125)
R714	1-216-049-00	s	METAL, CHIP 1.0K 5% 1/10W (2125)
R715	1-216-049-00	s	METAL, CHIP 1.0K 5% 1/10W (2125)
R717	*4 1-216-295-00	s	METAL, CHIP 0 (2125)
	*1 1-216-057-00	s	METAL, CHIP 2.2K 5% 1/10W (2125)
R718	1-216-033-00	s	METAL, CHIP 220 5% 1/10W (2125)
R719	1-216-033-00	s	METAL, CHIP 220 5% 1/10W (2125)
R720	1-216-029-00	s	METAL, CHIP 150 5% 1/10W (2125)
R724	1-216-045-00	s	METAL, CHIP 680 5% 1/10W (2125)
R725	1-216-029-00	s	METAL, CHIP 150 5% 1/10W (2125)
R726	*6 1-216-295-00	s	METAL, CHIP 0 (2125)
R727	1-216-029-00	s	METAL, CHIP 150 5% 1/10W (2125)
R728	1-216-029-00	s	METAL, CHIP 150 5% 1/10W (2125)
R729	1-216-029-00	s	METAL, CHIP 150 5% 1/10W (2125)
R731	1-216-029-00	s	METAL, CHIP 150 5% 1/10W (2125)

Ref. No. or Q'ty	Part No.	SP	Description
R732	1-216-049-00	s	METAL, CHIP 1.0K 5% 1/10W (2125)
R733	*4 1-216-295-00	s	METAL, CHIP 0 (2125)
R734	*4 1-216-029-00	s	METAL, CHIP 150 5% 1/10W (2125)
R751	*4 1-216-073-00	s	METAL, CHIP 10K 5% 1/10W (2125)
R752	*4 1-216-073-00	s	METAL, CHIP 10K 5% 1/10W (2125)
R753	*5 1-216-295-00	s	METAL, CHIP 0 (2125)
R754	*5 1-216-129-00	s	METAL, CHIP 2.2M 5% 1/10W (2125)
R755	*b 1-216-073-00	s	METAL, CHIP 10K 5% 1/10W (2125)
R756	*9 1-216-669-91	s	METAL, CHIP 5.6K 0.5% 1/10W
	*b 1-216-073-00	s	METAL, CHIP 10K 5% 1/10W (2125)
R758	*5 1-216-295-00	s	METAL, CHIP 0 (2125)
R759	*9 1-216-295-91	s	METAL, CHIP 0
R801	1-216-089-00	s	METAL, CHIP 47K 5% 1/10W (2125)
R802	1-216-089-00	s	METAL, CHIP 47K 5% 1/10W (2125)
R803	1-216-688-11	s	METAL, CHIP 36K 0.5% 1/10W (2125)
R804	1-216-679-11	s	METAL, CHIP 15K 0.5% 1/10W (2125)
R805	1-216-049-00	s	METAL, CHIP 1.0K 5% 1/10W (2125)
R806	1-216-049-00	s	METAL, CHIP 1.0K 5% 1/10W (2125)
R807	1-216-683-11	s	METAL, CHIP 22K 0.5% 1/10W (2125)
R808	1-216-687-11	s	METAL, CHIP 33K 0.5% 1/10W (2125)
R850	*9 1-216-649-11	s	METAL, CHIP 820 0.5% 1/10W
R860	*9 1-216-653-91	s	METAL, CHIP 1.2K 0.5% 1/10W
R861	*9 1-216-624-11	s	METAL, CHIP 75 0.5% 1/10W
R862	*9 1-216-667-11	s	METAL, CHIP 4.7K 0.5% 1/10W
R863	*9 1-216-295-91	s	METAL, CHIP 0
R864	*9 1-216-049-91	s	METAL, CHIP 1.0K 5% 1/10W
R865	*9 1-216-295-91	s	METAL, CHIP 0
R866	*9 1-216-295-91	s	METAL, CHIP 0
R880	*9 1-216-295-91	s	METAL, CHIP 0
R882	*9 1-216-049-91	s	METAL, CHIP 1.0K 5% 1/10W
R884	*9 1-216-295-91	s	METAL, CHIP 0
R901	*4 1-216-041-00	s	METAL, CHIP 470 5% 1/10W (2125)
R902	*4 1-216-017-00	s	METAL, CHIP 47 5% 1/10W (2125)
R903	*4 1-208-806-11	s	METAL, CHIP 10K 0.5% 1/10W (2125)
R904	*4 1-208-806-11	s	METAL, CHIP 10K 0.5% 1/10W (2125)
R1001	*8 1-215-451-00	s	METAL 18K 1% 1/6W
R1002	*8 1-215-426-00	s	METAL 1.6K 1% 1/6W
R1003	*1 1-249-429-11	s	CARBON 10K 5% 1/4W
R1004	*1 1-249-429-11	s	CARBON 10K 5% 1/4W
R1005	*1 1-215-440-00	s	METAL 6.2K 1% 1/6W
R1007(*1)	1-215-469-00	s	METAL 100K 1% 1/6W
R1101	*3 1-215-450-00	s	METAL 16K 1% 1/6W
R1102	*3 1-216-682-11	s	METAL, CHIP 20K 0.5% 1/10W (2125)
R1103	*3 1-215-457-00	s	METAL 33K 1% 1/6W
R1104	*3 1-249-417-11	s	CARBON 1.0K 5% 1/4W
R1105	*3 1-215-429-00	s	METAL 2.2K 1% 1/6W
R1201	*5 1-249-429-11	s	CARBON 10K 5% 1/4W
R1202	*5 1-249-417-11	s	CARBON 1.0K 5% 1/4W
RB880	*9 1-239-412-11	s	RES, NETWORK, CHIP 100x4
RB881	*9 1-239-412-11	s	RES, NETWORK, CHIP 100x4
RB882	*9 1-239-412-11	s	RES, NETWORK, CHIP 100x4
RB883	*9 1-239-412-11	s	RES, NETWORK, CHIP 100x4
RV300	*4 1-241-785-11	s	RES, ADJ, CERMET 10K

-----  
\*1: EK model S/N 10001 through 10750, and UC model S/N 10001 through 10020  
\*2: EK model S/N 10001 through 11200, and UC model S/N 10001 through 10030  
\*3: EK model S/N 10751 through 11200, and UC model S/N 10021 through 10030  
\*4: EK model S/N 10751 and higher, and UC model S/N 10021 and higher  
\*5: EK model S/N 11201 and higher, and UC model S/N 10031 and higher  
\*6: EK model S/N 10001 through 12460, and UC model S/N 10001 through 10130  
BKDW-506

-----  
\*7: EK model S/N 11201 through 12460, and UC model S/N 10031 through 10130  
\*8: EK model S/N 10001 through 12930, and UC model S/N 10001 through 10220  
\*9: EK model S/N 12931 and higher, and UC model S/N 10221 and higher  
\*a: EK model S/N 10751 through 12930, and UC model S/N 10021 through 10220  
\*b: EK model S/N 11201 through 12930, and UC model S/N 10031 through 10220  
(\*?): Some unit within specified “\*?”

-----  
 DUS-697 BOARD/BKDW-506  
 -----

Ref. No.  
 or Q'ty Part No. SP Description

The board is installed in the units of the following serial numbers.

EK model; 10001 through 10750 (Europe model)  
 UC model; 10001 through 10020 (USA and Canada models)

C1	1-163-141-11	s CERAMIC, CHIP 1000pF 5% 50V (2125)
C2	1-163-037-11	s CERAMIC, CHIP 0.022uF 10% 25V (2125)
C3	1-163-037-11	s CERAMIC, CHIP 0.022uF 10% 25V (2125)
C4	1-163-037-11	s CERAMIC, CHIP 0.022uF 10% 25V (2125)
IC1	8-759-907-81	s IC SN74LS221NS
IC2	8-759-925-90	s IC SN74HC74ANS
IC3	8-759-925-76	s IC SN74HC08ANS
Q1	8-729-901-01	s TRANSISTOR DTC144EK
Q2	8-729-901-01	s TRANSISTOR DTC144EK
R1	1-216-073-00	s METAL, CHIP 10K 5% 1/10W (2125)
R2	1-216-073-00	s METAL, CHIP 10K 5% 1/10W (2125)
R3	1-216-073-00	s METAL, CHIP 10K 5% 1/10W (2125)

-----  
 DUS-719 BOARD/BKDW-506  
 -----

Ref. No.  
 or Q'ty Part No. SP Description

The board is installed in the units of the following serial numbers.

EK model; 10001 through 10750 (Europe model)  
 UC model; 10001 through 10020 (USA and Canada models)

C1	1-135-072-21	s TANTALUM, CHIP 0.22uF 10% 35V
C2	1-163-037-11	s CERAMIC, CHIP 0.022uF 10% 25V (2125)
C3	1-163-037-11	s CERAMIC, CHIP 0.022uF 10% 25V (2125)
C4	1-163-037-11	s CERAMIC, CHIP 0.022uF 10% 25V (2125)
IC1	8-759-907-81	s IC SN74LS221NS
IC2	8-759-925-90	s IC SN74HC74ANS
IC3	8-759-985-36	s IC 74AC157SJ
Q1	8-729-905-18	s TRANSISTOR DTC144EU
Q2	8-729-905-18	s TRANSISTOR DTC144EU
R1	1-216-073-00	s METAL, CHIP 10K 5% 1/10W (2125)
R2	1-216-073-00	s METAL, CHIP 10K 5% 1/10W (2125)
R3	1-216-665-11	s METAL, CHIP 3.9K 0.5% 1/10W (2125)

-----  
 DUS-722 BOARD/BKDW-506  
 -----

Ref. No.  
 or Q'ty Part No. SP Description

The board is installed in the units of the following serial numbers.

EK model; 10001 through 10750 (Europe model)  
 UC model; 10001 through 10020 (USA and Canada models)

C1	1-163-038-00	s CERAMIC, CHIP 0.1uF 25V (2125)
C2	1-163-038-00	s CERAMIC, CHIP 0.1uF 25V (2125)
C3	1-163-017-00	s CERAMIC, CHIP 4700pF 10% 50V (2125)
C4	1-163-275-11	s CERAMIC, CHIP 0.001uF 5% 50V (2125)
C5	1-163-133-00	s CERAMIC, CHIP 470pF 5% 50V (2125)
C6	1-164-695-11	s CERAMIC, CHIP 2200pF 5% 50V (2125)
C7	1-163-037-11	s CERAMIC, CHIP 0.022uF 10% 25V (2125)
C8	1-163-037-11	s CERAMIC, CHIP 0.022uF 10% 25V (2125)
C9	1-163-037-11	s CERAMIC, CHIP 0.022uF 10% 25V (2125)
C10	1-163-037-11	s CERAMIC, CHIP 0.022uF 10% 25V (2125)
C11	1-163-037-11	s CERAMIC, CHIP 0.022uF 10% 25V (2125)
C12	1-163-037-11	s CERAMIC, CHIP 0.022uF 10% 25V (2125)
C13	1-163-037-11	s CERAMIC, CHIP 0.022uF 10% 25V (2125)
C14	1-163-037-11	s CERAMIC, CHIP 0.022uF 10% 25V (2125)
C15	1-163-037-11	s CERAMIC, CHIP 0.022uF 10% 25V (2125)
C16	1-163-037-11	s CERAMIC, CHIP 0.022uF 10% 25V (2125)
C17	1-163-037-11	s CERAMIC, CHIP 0.022uF 10% 25V (2125)
IC1	8-759-030-16	s IC MC34182M
IC2	8-759-300-71	s IC HD14053BFP
IC3	8-759-030-16	s IC MC34182M
IC4	8-759-902-88	s IC SN74LS123NS
IC5	8-759-907-81	s IC SN74LS221NS
IC6	8-759-925-90	s IC SN74HC74ANS
IC8	8-759-925-85	s IC SN74HC32ANS
R1	1-216-049-00	s METAL, CHIP 1.0K 5% 1/10W (2125)
R2	1-216-097-00	s METAL, CHIP 100K 5% 1/10W (2125)
R3	1-216-077-00	s METAL, CHIP 15K 5% 1/10W (2125)
R4	1-216-671-11	s METAL, CHIP 6.8K 0.5% 1/10W (2125)
R5	1-216-671-11	s METAL, CHIP 6.8K 0.5% 1/10W (2125)
RV1	1-237-037-11	s RES, ADJ, CERMET 20K
RV2	1-237-037-11	s RES, ADJ, CERMET 20K

Ref. No. or Q'ty	Part No.	SP	Description
C1	1-164-232-11	s	CERAMIC, CHIP 0.01uF 10% 100V(2125)
C2	1-135-162-21	s	TANTALUM, CHIP 33uF 10% 6.3V
C3	1-164-232-11	s	CERAMIC, CHIP 0.01uF 10% 100V(2125)
C4	1-164-232-11	s	CERAMIC, CHIP 0.01uF 10% 100V(2125)
C5	1-164-232-11	s	CERAMIC, CHIP 0.01uF 10% 100V(2125)
C6	1-164-232-11	s	CERAMIC, CHIP 0.01uF 10% 100V(2125)
C7	1-164-232-11	s	CERAMIC, CHIP 0.01uF 10% 100V(2125)
C8	1-135-163-21	s	TANTALUM, CHIP 47uF 10% 4V
C9	1-163-235-11	s	CERAMIC, CHIP 22pF 5% 50V (2125)
C10	1-164-232-11	s	CERAMIC, CHIP 0.01uF 10% 100V(2125)
C11	1-164-232-11	s	CERAMIC, CHIP 0.01uF 10% 100V(2125)
C12	1-164-232-11	s	CERAMIC, CHIP 0.01uF 10% 100V(2125)
C21	1-135-076-21	s	TANTALUM, CHIP 1uF 10% 35V
C22	1-163-275-11	s	CERAMIC, CHIP 0.001uF 5% 50V (2125)
C23	1-164-232-11	s	CERAMIC, CHIP 0.01uF 10% 100V(2125)
C24	1-164-004-11	s	CERAMIC, CHIP 0.1uF 10% 25V (2125)
C25	1-164-004-11	s	CERAMIC, CHIP 0.1uF 10% 25V (2125)
C31	1-135-076-21	s	TANTALUM, CHIP 1uF 10% 35V
C32	1-163-275-11	s	CERAMIC, CHIP 0.001uF 5% 50V (2125)
C33	1-164-232-11	s	CERAMIC, CHIP 0.01uF 10% 100V(2125)
C34	1-164-004-11	s	CERAMIC, CHIP 0.1uF 10% 25V (2125)
C35	1-164-004-11	s	CERAMIC, CHIP 0.1uF 10% 25V (2125)
C51	1-164-232-11	s	CERAMIC, CHIP 0.01uF 10% 100V(2125)
C52	1-135-157-21	s	TANTALUM, CHIP 10uF 10% 6.3V
C53	1-164-232-11	s	CERAMIC, CHIP 0.01uF 10% 100V(2125)
C55	1-164-232-11	s	CERAMIC, CHIP 0.01uF 10% 100V(2125)
C56	1-135-157-21	s	TANTALUM, CHIP 10uF 10% 6.3V
C57	1-164-232-11	s	CERAMIC, CHIP 0.01uF 10% 100V(2125)
C59	1-135-157-21	s	TANTALUM, CHIP 10uF 10% 6.3V
C60	1-164-232-11	s	CERAMIC, CHIP 0.01uF 10% 100V(2125)
C61	1-135-157-21	s	TANTALUM, CHIP 10uF 10% 6.3V
C62-97	1-164-232-11	s	CERAMIC, CHIP 0.01uF 10% 100V(2125)
C98	1-135-157-21	s	TANTALUM, CHIP 10uF 10% 6.3V
C99	1-164-232-11	s	CERAMIC, CHIP 0.01uF 10% 100V(2125)
C101-114	1-164-232-11	s	CERAMIC, CHIP 0.01uF 10% 100V(2125)
C121-126	1-164-232-11	s	CERAMIC, CHIP 0.01uF 10% 100V(2125)
C131-136	1-164-232-11	s	CERAMIC, CHIP 0.01uF 10% 100V(2125)
CN1	1-750-667-11	s	CONNECTOR, B-B 100P
D21	8-719-902-79	s	DIODE KV1236Z
D22	8-719-902-79	s	DIODE KV1236Z
IC1	8-759-288-69	s	IC CXD8916AR
IC2-9	8-752-365-06	s	IC CXK48324R-1
IC10	8-759-258-34	s	IC HM62W1664HJP-35
IC11	8-759-258-34	s	IC HM62W1664HJP-35
IC12	8-759-288-05	o	IC CY7C271-RATECF-H1-V1, P-ROM
IC13	8-759-288-06	o	IC CY7C271-RATECF-L1-V1, P-ROM
IC14	8-759-258-34	s	IC HM62W1664HJP-35
IC15	8-759-258-34	s	IC HM62W1664HJP-35
IC16	8-759-031-84	s	IC SC7S04F
IC17	8-759-336-65	o	IC EPM7032V-PPCTLV1, PLD
IC21	8-759-569-65	s	IC BH3863F-E2
IC22	8-759-440-94	s	IC SN74LVT245ANS
IC23	8-759-031-84	s	IC SC7S04F
IC24	8-752-306-51	s	IC CX23065A
IC25	8-752-306-51	s	IC CX23065A
IC27	8-759-030-21	s	IC MC1648M

Ref. No. or Q'ty	Part No.	SP	Description
IC29	8-759-033-16	s	IC MC74F74M
IC30	8-759-030-21	s	IC MC1648M
IC32	8-759-673-36	s	IC MM74HC00SJX
IC33	8-759-673-36	s	IC MM74HC00SJX
IC34	8-759-673-36	s	IC MM74HC00SJX
IC35	8-759-673-36	s	IC MM74HC00SJX
IC36	8-759-926-48	s	IC SN74HC244ANS
IC37	8-759-926-48	s	IC SN74HC244ANS
IC38	8-759-926-49	s	IC SN74HC245ANS
IC39	8-759-926-49	s	IC SN74HC245ANS
L1	1-412-137-11	s	INDUCTOR 10uH
L21	1-412-139-11	s	INDUCTOR 0.22uH
L31	1-412-139-11	s	INDUCTOR 0.22uH
L32	1-412-170-11	s	INDUCTOR 0.47uH
L51	1-412-137-11	s	INDUCTOR 10uH
L52	1-412-137-11	s	INDUCTOR 10uH
L53	1-412-137-11	s	INDUCTOR 10uH
R5	1-216-295-00	s	METAL, CHIP 0 (2125)
R21	1-216-061-00	s	METAL, CHIP 3.3K 5% 1/10W (2125)
R23	1-216-073-00	s	METAL, CHIP 10K 5% 1/10W (2125)
R24	1-216-065-00	s	METAL, CHIP 4.7K 5% 1/10W (2125)
R25	1-216-097-00	s	METAL, CHIP 100K 5% 1/10W (2125)
R26	1-216-651-11	s	METAL, CHIP 1.0K 0.5% 1/10W (2125)
R27	1-216-660-11	s	METAL, CHIP 2.4K 0.5% 1/10W (2125)
R31	1-216-061-00	s	METAL, CHIP 3.3K 5% 1/10W (2125)
R32	1-216-073-00	s	METAL, CHIP 10K 5% 1/10W (2125)
R33	1-216-065-00	s	METAL, CHIP 4.7K 5% 1/10W (2125)
R35	1-216-097-00	s	METAL, CHIP 100K 5% 1/10W (2125)
R36	1-216-651-11	s	METAL, CHIP 1.0K 0.5% 1/10W (2125)
R37	1-216-660-11	s	METAL, CHIP 2.4K 0.5% 1/10W (2125)
R50	1-216-037-00	s	METAL, CHIP 330 5% 1/10W (2125)
RB1-8	1-239-407-11	s	RES, NETWORK, CHIP 330x4
RB9	1-236-904-11	s	RES, NETWORK, CHIP 1Kx4
RB10	1-236-904-11	s	RES, NETWORK, CHIP 1Kx4
RB11	1-236-904-11	s	RES, NETWORK, CHIP 1Kx4
RB12	1-236-904-11	s	RES, NETWORK, CHIP 1Kx4

-----  
 RM-130 BOARD/BKDW-509  
 -----

Ref. No. or Q'ty	Part No.	SP Description
1pc	3-180-788-01	o PANEL (RM), ORNAMENTAL
1pc	3-184-609-01	o CONNECTOR, GUIDE
1pc	3-673-910-31	s SCREW, CONNECTOR
C1	1-163-033-00	s CERAMIC, CHIP 0.022uF 50V (2125)
C2	1-163-033-00	s CERAMIC, CHIP 0.022uF 50V (2125)
C3	1-126-795-11	s ELECT 10uF 20% 50V
C4	1-163-033-00	s CERAMIC, CHIP 0.022uF 50V (2125)
C5	1-163-033-00	s CERAMIC, CHIP 0.022uF 50V (2125)
C6-15	1-163-251-11	s CERAMIC, CHIP 100pF 5% 50V (2125)
C16	1-126-795-11	s ELECT 10uF 20% 50V
C17	1-126-795-11	s ELECT 10uF 20% 50V
C18	1-126-795-11	s ELECT 10uF 20% 50V
C19-25	1-163-033-00	s CERAMIC, CHIP 0.022uF 50V (2125)
CN420	1-565-184-11	o CONNECTOR, PS 60P, MALE
CN421	1-563-893-21	s CONNECTOR, D-SUB 50P, FEMALE
D1	8-719-024-81	s DIODE 1SS300
IC2	8-759-582-54	s IC UPD78014FGC-673-AB8
IC3	8-759-821-60	s IC L78M12T-FA
IC4	8-759-043-33	s IC LB1721M
IC5	8-759-043-33	s IC LB1721M
IC6	8-759-043-33	s IC LB1721M
IC7	8-759-043-33	s IC LB1721M
IC8	8-759-043-33	s IC LB1721M
IC9	8-759-925-80	s IC SN74HC14ANS
IC10	8-759-925-80	s IC SN74HC14ANS
Q1	8-729-117-32	s TRANSISTOR 2SC4177-L6
Q2	8-729-117-32	s TRANSISTOR 2SC4177-L6
R1	8-719-024-81	s DIODE 1SS300
R2	1-216-085-00	s METAL, CHIP 33K 5% 1/10W (2125)
R3	1-216-069-00	s METAL, CHIP 6.8K 5% 1/10W (2125)
R4	1-216-073-00	s METAL, CHIP 10K 5% 1/10W (2125)
R5	1-216-073-00	s METAL, CHIP 10K 5% 1/10W (2125)
R6	8-719-024-81	s DIODE 1SS300
R7	1-216-073-00	s METAL, CHIP 10K 5% 1/10W (2125)
R8	1-216-089-00	s METAL, CHIP 47K 5% 1/10W (2125)
R9	1-216-089-00	s METAL, CHIP 47K 5% 1/10W (2125)
R10	1-216-089-00	s METAL, CHIP 47K 5% 1/10W (2125)
R11	1-216-089-00	s METAL, CHIP 47K 5% 1/10W (2125)
R12	1-216-089-00	s METAL, CHIP 47K 5% 1/10W (2125)
R13-49	1-216-073-00	s METAL, CHIP 10K 5% 1/10W (2125)
R50	1-216-089-00	s METAL, CHIP 47K 5% 1/10W (2125)
R51	1-216-065-00	s METAL, CHIP 4.7K 5% 1/10W (2125)
R52	1-216-089-00	s METAL, CHIP 47K 5% 1/10W (2125)
R53	1-216-065-00	s METAL, CHIP 4.7K 5% 1/10W (2125)
R54	1-216-089-00	s METAL, CHIP 47K 5% 1/10W (2125)
R55	1-216-065-00	s METAL, CHIP 4.7K 5% 1/10W (2125)
R56	1-216-089-00	s METAL, CHIP 47K 5% 1/10W (2125)
R57	1-216-065-00	s METAL, CHIP 4.7K 5% 1/10W (2125)
R58	1-216-089-00	s METAL, CHIP 47K 5% 1/10W (2125)
R59	1-216-065-00	s METAL, CHIP 4.7K 5% 1/10W (2125)
R60	1-216-089-00	s METAL, CHIP 47K 5% 1/10W (2125)
R61	1-216-065-00	s METAL, CHIP 4.7K 5% 1/10W (2125)
R62	1-216-089-00	s METAL, CHIP 47K 5% 1/10W (2125)
R63	1-216-065-00	s METAL, CHIP 4.7K 5% 1/10W (2125)
R64	1-216-089-00	s METAL, CHIP 47K 5% 1/10W (2125)
R65	1-216-065-00	s METAL, CHIP 4.7K 5% 1/10W (2125)
R66	1-216-089-00	s METAL, CHIP 47K 5% 1/10W (2125)

(RM-130 BOARD/BKDW-509)

Ref. No. or Q'ty	Part No.	SP Description
R67	1-216-065-00	s METAL, CHIP 4.7K 5% 1/10W (2125)
R68	1-216-089-00	s METAL, CHIP 47K 5% 1/10W (2125)
R69	1-216-065-00	s METAL, CHIP 4.7K 5% 1/10W (2125)
R70	Δ 1-202-972-61	s RES, FUSIBLE 1 5% 1/4W
R71	1-216-295-00	s METAL, CHIP 0 (2125)
R74	1-216-295-00	s METAL, CHIP 0 (2125)
R75	1-216-295-00	s METAL, CHIP 0 (2125)
R77	1-216-295-00	s METAL, CHIP 0 (2125)
R79	1-216-073-00	s METAL, CHIP 10K 5% 1/10W (2125)
R80	1-216-073-00	s METAL, CHIP 10K 5% 1/10W (2125)
R81	1-216-089-00	s METAL, CHIP 47K 5% 1/10W (2125)
R82	1-216-089-00	s METAL, CHIP 47K 5% 1/10W (2125)
R83	1-216-089-00	s METAL, CHIP 47K 5% 1/10W (2125)
R84	1-216-089-00	s METAL, CHIP 47K 5% 1/10W (2125)
X1	1-579-599-21	s RESONATOR, CERAMIC 8.38 MHZ

-----  
 DP-176 BOARD/BKDW-514  
 -----

Ref. No. or Q'ty	Part No.	SP Description
1pc	3-181-833-02	o SPACER
CN591	1-537-565-12	o WIRE, JUMPER (HIGH WINDING) 23P
D1060	8-719-942-19	s LED LB402VK, RED
D1061	8-719-942-19	s LED LB402VK, RED
D1062	8-719-942-19	s LED LB402VK, RED
D1063	8-719-942-19	s LED LB402VK, RED
S1	1-692-538-11	s SWITCH, PUSH

-----  
 KY-231 BOARD/BKDW-514  
 -----

(KY-231 BOARD/BKDW-514)

Ref. No. or Q'ty	Part No.	SP Description
1pc	A-8275-067-A	o MOUNTED CIRCUIT BOARD, KY-231 (This assembly includes DP-176 MOUNTED CIRCUIT BOARD.)
15pcs	3-668-124-00	o HOLDER, LED
3pcs	3-704-198-11	o SUPPORT, PC
19pcs	3-708-887-01	s CAP, SWITCH (For S9,10,11,16-31)
C1-32	1-126-795-11	s ELECT 10uF 20% 50V
C301	1-163-037-11	s CERAMIC, CHIP 0.022uF 10% 25V(2125)
C302	1-163-037-11	s CERAMIC, CHIP 0.022uF 10% 25V(2125)
C303	1-126-795-11	s ELECT 10uF 20% 50V
C304	1-126-795-11	s ELECT 10uF 20% 50V
C305	1-124-455-00	s ELECT 100uF 20% 16V
C306	1-163-037-11	s CERAMIC, CHIP 0.022uF 10% 25V(2125)
C309	1-163-257-11	s CERAMIC, CHIP 180pF 5% 50V (2125)
C310	1-163-257-11	s CERAMIC, CHIP 180pF 5% 50V (2125)
C311	1-163-257-11	s CERAMIC, CHIP 180pF 5% 50V (2125)
C312	1-163-257-11	s CERAMIC, CHIP 180pF 5% 50V (2125)
C313	1-126-795-11	s ELECT 10uF 20% 50V
C314	1-163-243-11	s CERAMIC, CHIP 47pF 5% 50V (2125)
C315	1-163-037-11	s CERAMIC, CHIP 0.022uF 10% 25V(2125)
C316	1-163-037-11	s CERAMIC, CHIP 0.022uF 10% 25V(2125)
C317	1-124-455-00	s ELECT 100uF 20% 16V
C318	1-124-455-00	s ELECT 100uF 20% 16V
CN590	1-751-356-11	s CABLE, FLAT 16P
CN591	1-537-565-12	o WIRE, JUMPER (HIGH WINDING) 23P
CN592	1-506-489-11	s CONNECTOR, 10P, MALE
D1	6-500-689-01	s DIODE TLGU13DP
D2	6-500-689-01	s DIODE TLGU13DP
D3	8-719-939-39	s LED GL5HD8, RED
D4	6-500-689-01	s DIODE TLGU13DP
D5	6-500-689-01	s DIODE TLGU13DP
D6	8-719-939-39	s LED GL5HD8, RED
D7	6-500-689-01	s DIODE TLGU13DP
D8	8-719-939-39	s LED GL5HD8, RED
D9-15	6-500-689-01	s DIODE TLGU13DP
D16	8-719-041-80	s LED TLG255A, GRN
D17	8-719-041-80	s LED TLG255A, GRN
D18	8-719-041-80	s LED TLG255A, GRN
D201-222	8-719-123-82	s DIODE 1SS303
D301	8-719-123-82	s DIODE 1SS303
IC1	8-759-250-09	s IC UPD78212CW-618
IC2	8-759-052-52	s IC L78M05T-FA
IC3	8-759-500-43	s IC CXD8117P
IC4	8-759-479-32	s IC SN75C1168NS (E05)
IC5	8-759-586-01	s IC TD62003P (J, S)
IC6	8-759-586-01	s IC TD62003P (J, S)
IC8	8-759-175-95	s IC CXD8812Q
IC9	8-759-600-34	s IC M54532P
Q1	8-729-900-51	s TRANSISTOR DTA114TK
Q2	8-729-117-32	s TRANSISTOR 2SC4177-L6
Q3	8-729-900-51	s TRANSISTOR DTA114TK
Q4	8-729-117-32	s TRANSISTOR 2SC4177-L6
Q5	8-729-900-51	s TRANSISTOR DTA114TK
Q6	8-729-117-32	s TRANSISTOR 2SC4177-L6
Q7	8-729-900-51	s TRANSISTOR DTA114TK
Q8	8-729-117-32	s TRANSISTOR 2SC4177-L6
Q9	8-729-900-51	s TRANSISTOR DTA114TK
Q10	8-729-117-32	s TRANSISTOR 2SC4177-L6

Ref. No. or Q'ty	Part No.	SP Description
Q11	8-729-900-51	s TRANSISTOR DTA114TK
Q12	8-729-117-32	s TRANSISTOR 2SC4177-L6
Q13	8-729-900-51	s TRANSISTOR DTA114TK
Q14	8-729-117-32	s TRANSISTOR 2SC4177-L6
Q15	8-729-900-51	s TRANSISTOR DTA114TK
Q16	8-729-117-32	s TRANSISTOR 2SC4177-L6
Q17	8-729-900-51	s TRANSISTOR DTA114TK
Q18	8-729-117-32	s TRANSISTOR 2SC4177-L6
Q19	8-729-900-51	s TRANSISTOR DTA114TK
Q20	8-729-117-32	s TRANSISTOR 2SC4177-L6
Q21	8-729-900-51	s TRANSISTOR DTA114TK
Q22	8-729-117-32	s TRANSISTOR 2SC4177-L6
Q23	8-729-900-51	s TRANSISTOR DTA114TK
Q24	8-729-117-32	s TRANSISTOR 2SC4177-L6
Q25	8-729-900-51	s TRANSISTOR DTA114TK
Q26	8-729-117-32	s TRANSISTOR 2SC4177-L6
Q27	8-729-900-51	s TRANSISTOR DTA114TK
Q28	8-729-117-32	s TRANSISTOR 2SC4177-L6
Q29	8-729-900-51	s TRANSISTOR DTA114TK
Q30	8-729-117-32	s TRANSISTOR 2SC4177-L6
Q31	8-729-900-51	s TRANSISTOR DTA114TK
Q32	8-729-117-32	s TRANSISTOR 2SC4177-L6
Q33	8-729-900-51	s TRANSISTOR DTA114TK
Q34	8-729-117-32	s TRANSISTOR 2SC4177-L6
Q35	8-729-900-51	s TRANSISTOR DTA114TK
Q36	8-729-117-32	s TRANSISTOR 2SC4177-L6
Q37	8-729-900-51	s TRANSISTOR DTA114TK
Q38	8-729-117-32	s TRANSISTOR 2SC4177-L6
Q39	8-729-900-51	s TRANSISTOR DTA114TK
Q40	8-729-117-32	s TRANSISTOR 2SC4177-L6
Q41	8-729-900-51	s TRANSISTOR DTA114TK
Q42	8-729-117-32	s TRANSISTOR 2SC4177-L6
Q43	8-729-900-51	s TRANSISTOR DTA114TK
Q44	8-729-117-32	s TRANSISTOR 2SC4177-L6
Q45	8-729-900-51	s TRANSISTOR DTA114TK
Q46	8-729-117-32	s TRANSISTOR 2SC4177-L6
Q47	8-729-900-51	s TRANSISTOR DTA114TK
Q48	8-729-117-32	s TRANSISTOR 2SC4177-L6
Q49	8-729-900-51	s TRANSISTOR DTA114TK
Q50	8-729-117-32	s TRANSISTOR 2SC4177-L6
Q51	8-729-900-51	s TRANSISTOR DTA114TK
Q52	8-729-117-32	s TRANSISTOR 2SC4177-L6
Q53	8-729-900-51	s TRANSISTOR DTA114TK
Q54	8-729-117-32	s TRANSISTOR 2SC4177-L6
Q55	8-729-900-51	s TRANSISTOR DTA114TK
Q56	8-729-117-32	s TRANSISTOR 2SC4177-L6
Q57	8-729-900-51	s TRANSISTOR DTA114TK
Q58	8-729-117-32	s TRANSISTOR 2SC4177-L6
Q59	8-729-900-51	s TRANSISTOR DTA114TK
Q60	8-729-117-32	s TRANSISTOR 2SC4177-L6
Q61	8-729-900-51	s TRANSISTOR DTA114TK
Q62	8-729-117-32	s TRANSISTOR 2SC4177-L6
Q63	8-729-900-51	s TRANSISTOR DTA114TK
Q64	8-729-117-32	s TRANSISTOR 2SC4177-L6
Q65-72	8-729-924-56	s TRANSISTOR DTC123JU
Q73-80	8-729-140-63	s TRANSISTOR 2SA1611-M5M6
Q151-157	8-729-924-56	s TRANSISTOR DTC123JU
Q158-164	8-729-140-63	s TRANSISTOR 2SA1611-M5M6
Q201-206	8-729-923-62	s TRANSISTOR DTA123JK



(KY-231 BOARD/BKDW-514)

Ref. No. or Q'ty	Part No.	SP	Description
R319	1-216-067-00	s	METAL, CHIP 5.6K 5% 1/10W (2125)
R320	1-216-049-00	s	METAL, CHIP 1.0K 5% 1/10W (2125)
R321	1-216-017-00	s	METAL, CHIP 47 5% 1/10W (2125)
R322	1-216-049-00	s	METAL, CHIP 1.0K 5% 1/10W (2125)
R323	1-216-073-00	s	METAL, CHIP 10K 5% 1/10W (2125)
R324	1-216-073-00	s	METAL, CHIP 10K 5% 1/10W (2125)
R325	1-216-025-00	s	METAL, CHIP 100 5% 1/10W (2125)
R326	1-216-077-00	s	METAL, CHIP 15K 5% 1/10W (2125)
R327	1-216-077-00	s	METAL, CHIP 15K 5% 1/10W (2125)
R328	1-216-097-00	s	METAL, CHIP 100K 5% 1/10W (2125)
R329	1-216-097-00	s	METAL, CHIP 100K 5% 1/10W (2125)
R331	1-216-073-00	s	METAL, CHIP 10K 5% 1/10W (2125)
R332	1-216-073-00	s	METAL, CHIP 10K 5% 1/10W (2125)
R333	1-216-073-00	s	METAL, CHIP 10K 5% 1/10W (2125)
S1	1-692-892-11	s	SWITCH, TACTILE (WITH LED)
S2	1-692-892-21	s	SWITCH, TACTILE (WITH LED)
S3	1-692-890-41	s	SWITCH, TACTILE (WITH LED)
S4	1-692-890-31	s	SWITCH, TACTILE (WITH LED)
S5	1-692-890-21	s	SWITCH, TACTILE (WITH LED)
S6	1-692-890-11	s	SWITCH, TACTILE (WITH LED)
S7	1-692-891-21	s	SWITCH, TACTILE (WITH LED)
S8	1-692-890-11	s	SWITCH, TACTILE (WITH LED)
S9	1-692-994-11	s	SWITCH, TACTILE (WITH LED)
S10	1-692-994-11	s	SWITCH, TACTILE (WITH LED)
S11	1-692-994-11	s	SWITCH, TACTILE (WITH LED)
S12	1-692-890-11	s	SWITCH, TACTILE (WITH LED)
S13	1-692-890-11	s	SWITCH, TACTILE (WITH LED)
S14	1-692-891-11	s	SWITCH, TACTILE (WITH LED)
S15	1-692-890-11	s	SWITCH, TACTILE (WITH LED)
S16-31	1-692-994-11	s	SWITCH, TACTILE (WITH LED)
S201-212	1-692-538-11	s	SWITCH, PUSH
X301	1-579-929-11	s	RESONATOR, CERAMIC 9.83 MHz

PTC-69 BOARD/BKDW-514

Ref. No. or Q'ty	Part No.	SP	Description
1pc	A-8276-585-A	o	MOUNTED CIRCUIT BOARD, PTC-69
1pc	3-180-859-01	o	HOLDER, SENSOR
C1	1-162-875-11	s	CERAMIC 68pF 5% 50V
C2	1-162-875-11	s	CERAMIC 68pF 5% 50V
C3	1-124-589-11	s	ELECT 47uF 20% 10V
C4	1-164-096-11	s	CERAMIC 0.01uF 50V
C5	1-164-096-11	s	CERAMIC 0.01uF 50V
CN1	1-564-009-11	o	CONNECTOR, 10P, MALE
CN2	1-564-002-11	s	CONNECTOR, 3P, MALE
DME1	8-745-001-00	s	DME DM-211A
IC1	8-759-145-58	s	IC UPC4558C
IC2	8-759-729-03	s	IC LM2903P
IC3	8-719-985-75	s	PHOTO-INTERRUPTER GP1A53HR
IC4	8-719-985-74	s	PHOTO-INTERRUPTER GP1A52HR
IC5	8-719-985-74	s	PHOTO-INTERRUPTER GP1A52HR
Q1	8-729-900-89	s	TRANSISTOR DTC144ES
R1	1-247-895-00	s	CARBON 470K 5% 1/4W
R2	1-247-847-31	s	CARBON 4.7K 5% 1/4W
R3	1-247-887-00	s	CARBON 220K 5% 1/4W
R4	1-249-433-11	s	CARBON 22K 5% 1/4W
R5	1-249-433-11	s	CARBON 22K 5% 1/4W
R6	1-249-433-11	s	CARBON 22K 5% 1/4W
R7	1-247-895-00	s	CARBON 470K 5% 1/4W
R8	1-247-847-31	s	CARBON 4.7K 5% 1/4W
R9	1-247-887-00	s	CARBON 220K 5% 1/4W
R10	1-249-433-11	s	CARBON 22K 5% 1/4W
R11	1-249-433-11	s	CARBON 22K 5% 1/4W
R12	1-249-433-11	s	CARBON 22K 5% 1/4W
R13	1-249-404-00	s	CARBON 82 5% 1/4W
RV1	1-228-472-00	s	RES, ADJ, CERMET 2K
RV2	1-228-472-00	s	RES, ADJ, CERMET 2K

-----  
 FRAME/BKDW-515  
 -----

Ref. No. or Q'ty	Part No.	SP Description
to CP-266 board		
CN1F	1-951-931-11	o HARNESS, SUB (JOG DIAL)
CN3F	1-580-586-11	o HOUSING, LY 20P
17pcs	1-580-599-11	o CONTACT, LY FEMALE, AWG22-30
CN6F	1-955-028-11	o HARNESS, SUB (CP-DVW)
CN7F	1-580-584-11	o HOUSING, LY 16P
16pcs	1-580-599-11	o CONTACT, LY FEMALE, AWG22-30
to EL DISPLAY		
CN4F	1-766-726-11	o HOUSING, 16P
16pcs	1-569-282-11	o CONTACT, FEMALE, AWG24-28
to SWC-19 board		
CN6F	1-955-028-11	o HARNESS, SUB (CP-DVW)
to SWC-749 board		
CN1F	1-580-586-11	o HOUSING, LY 20P
17pcs	1-580-599-11	o CONTACT, LY FEMALE, AWG22-30
to PTC-69 board		
CN1F	1-951-931-11	o HARNESS, SUB (JOG DIAL)
CN2F	1-562-148-11	o HOUSING, 3P
3pcs	1-564-026-00	o CONTACT, FEMALE, AWG26-30

-----  
 CP-266 BOARD/BKDW-515  
 -----

Ref. No. or Q'ty	Part No.	SP Description
1pc	A-8269-123-A	o MOUNTED CIRCUIT BOARD, CP-266
1pc	1-251-350-11	o SOCKET, IC (PLCC) 32P (for IC114)
1pc	1-251-351-11	o SOCKET, IC (PLCC) 44P (for IC115)
1pc	3-689-871-01	o HEAT SINK, TR
2pcs	7-628-254-30	s SCREW +PS 2.6x10
2pcs	7-622-207-05	s NUT 2.6, TYPE 2
BT1	1-767-156-11	s OSCILLATOR, CRYSTAL (M4T28-BR12SH1)
BZ1	1-529-025-00	s BUZZER
C1	1-126-396-11	s ELECT, CHIP 47uF 20% 16V
C2	1-126-396-11	s ELECT, CHIP 47uF 20% 16V
C3	1-111-036-11	s ELECT 470uF 20% 16V
C4	1-126-397-11	s ELECT, CHIP 33uF 20% 25V
C5	1-163-038-00	s CERAMIC, CHIP 0.1uF 25V (2125)
C6	1-135-179-21	s TANTALUM, CHIP 2.2uF 10% 16V
C7	1-126-396-11	s ELECT, CHIP 47uF 20% 16V
C8	1-126-396-11	s ELECT, CHIP 47uF 20% 16V
C9	1-111-012-11	s ELECT 560uF 20% 10V
C10	1-126-396-11	s ELECT, CHIP 47uF 20% 16V
C11	1-163-038-00	s CERAMIC, CHIP 0.1uF 25V (2125)
C12	1-163-038-00	s CERAMIC, CHIP 0.1uF 25V (2125)
C13	1-163-038-00	s CERAMIC, CHIP 0.1uF 25V (2125)
C14	1-135-179-21	s TANTALUM, CHIP 2.2uF 10% 16V
C106	1-163-038-00	s CERAMIC, CHIP 0.1uF 25V (2125)
C107	1-163-038-00	s CERAMIC, CHIP 0.1uF 25V (2125)
C108	1-163-038-00	s CERAMIC, CHIP 0.1uF 25V (2125)
C109	1-163-038-00	s CERAMIC, CHIP 0.1uF 25V (2125)
C110	1-163-038-00	s CERAMIC, CHIP 0.1uF 25V (2125)
C111	1-163-038-00	s CERAMIC, CHIP 0.1uF 25V (2125)
C112	1-163-038-00	s CERAMIC, CHIP 0.1uF 25V (2125)
C113	1-163-038-00	s CERAMIC, CHIP 0.1uF 25V (2125)
C114	1-163-038-00	s CERAMIC, CHIP 0.1uF 25V (2125)
C115	1-163-038-00	s CERAMIC, CHIP 0.1uF 25V (2125)
C117	1-163-038-00	s CERAMIC, CHIP 0.1uF 25V (2125)
C118	1-163-038-00	s CERAMIC, CHIP 0.1uF 25V (2125)
C119	1-163-038-00	s CERAMIC, CHIP 0.1uF 25V (2125)
C120	1-163-038-00	s CERAMIC, CHIP 0.1uF 25V (2125)
C121	1-163-038-00	s CERAMIC, CHIP 0.1uF 25V (2125)
C122	1-163-038-00	s CERAMIC, CHIP 0.1uF 25V (2125)
C123	1-163-038-00	s CERAMIC, CHIP 0.1uF 25V (2125)
C124	1-163-038-00	s CERAMIC, CHIP 0.1uF 25V (2125)
C125	1-163-038-00	s CERAMIC, CHIP 0.1uF 25V (2125)
C126	1-163-038-00	s CERAMIC, CHIP 0.1uF 25V (2125)
C127	1-163-038-00	s CERAMIC, CHIP 0.1uF 25V (2125)
C128	1-163-038-00	s CERAMIC, CHIP 0.1uF 25V (2125)
C129	1-127-515-11	s ELECT, 47uF 20% 10V
C201	1-163-038-00	s CERAMIC, CHIP 0.1uF 25V (2125)
C202	1-163-038-00	s CERAMIC, CHIP 0.1uF 25V (2125)
C203	1-163-038-00	s CERAMIC, CHIP 0.1uF 25V (2125)
C204	1-163-038-00	s CERAMIC, CHIP 0.1uF 25V (2125)
C205	1-163-038-00	s CERAMIC, CHIP 0.1uF 25V (2125)
C209	1-163-038-00	s CERAMIC, CHIP 0.1uF 25V (2125)
C210	1-163-038-00	s CERAMIC, CHIP 0.1uF 25V (2125)
C211	1-163-038-00	s CERAMIC, CHIP 0.1uF 25V (2125)
C212	1-163-038-00	s CERAMIC, CHIP 0.1uF 25V (2125)
C213	1-163-038-00	s CERAMIC, CHIP 0.1uF 25V (2125)
C214	1-163-038-00	s CERAMIC, CHIP 0.1uF 25V (2125)
C215	1-163-243-11	s CERAMIC, CHIP 47pF 5% 50V (2125)



(CP-266 BOARD/BKDW-515)

Ref. No. or Q'ty	Part No.	SP	Description
C216	1-163-038-00	s	CERAMIC, CHIP 0.1uF 25V (2125)
C217	1-163-257-11	s	CERAMIC, CHIP 180pF 5% 50V (2125)
C218	1-163-257-11	s	CERAMIC, CHIP 180pF 5% 50V (2125)
C219	1-163-257-11	s	CERAMIC, CHIP 180pF 5% 50V (2125)
C220	1-163-257-11	s	CERAMIC, CHIP 180pF 5% 50V (2125)
C221	1-124-455-00	s	ELECT 100uF 20% 16V
C222	1-124-455-00	s	ELECT 100uF 20% 16V
C223	1-163-038-00	s	CERAMIC, CHIP 0.1uF 25V (2125)
C224	1-163-038-00	s	CERAMIC, CHIP 0.1uF 25V (2125)
C225	1-163-038-00	s	CERAMIC, CHIP 0.1uF 25V (2125)
CN1	1-506-489-11	s	CONNECTOR, 10P, MALE
CN2	1-566-566-11	o	CONNECTOR 40P, MALE
CN3	1-580-565-11	o	CONNECTOR (PC BOARD) 20P, MALE
CN4	1-566-567-11	o	CONNECTOR, TX 60P, MALE
CN5	1-506-484-11	s	CONNECTOR, 5P, MALE
CN6	1-955-028-11	o	HARNESS, SUB (CP-DVW)
CN7	1-580-537-11	o	CONNECTOR, LY 16P, MALE
D1	8-719-981-00	s	DIODE ERC81-004
D2	8-719-903-06	s	DIODE ERC84-009
D101	8-719-987-43	s	LED CL-150PG-CD, GRN
D102	8-719-989-22	s	LED CL-150R-CD, RED
FB1	1-543-236-11	s	BEAD, FERRITE
FB2	1-543-236-11	s	BEAD, FERRITE
IC1	8-759-164-80	s	IC LM2577T-ADJ
IC2	8-759-355-26	s	IC LM2576T-ADJ
IC3	8-759-636-63	s	IC M51957BFP
IC102	8-759-479-32	s	IC SN75C1168NS (E05)
IC103	8-759-296-67	s	IC HD6417032F20
IC104	8-759-673-54	s	IC MM74HC74ASJX
IC105	8-759-636-63	s	IC M51957BFP
IC108	8-759-927-46	s	IC SN74HC00ANS
IC109	8-759-436-44	s	IC IDT71024S20Y-TL
IC110	8-759-436-44	s	IC IDT71024S20Y-TL
IC111	8-759-436-44	s	IC IDT71024S20Y-TL
IC112	8-759-436-44	s	IC IDT71024S20Y-TL
IC113	8-759-569-47	s	IC M48T58Y-70MH1TR
IC114	8-759-686-20	o	IC MBM29F40C-CP-V110
IC115	8-759-586-56	o	IC EPM7032SLC44-PLD-V100
IC116	8-749-010-67	s	IC M4T28-BR12SH1
IC201	8-759-927-18	s	IC SN74HCT541ANS
IC202	8-759-927-18	s	IC SN74HCT541ANS
IC203	8-759-927-18	s	IC SN74HCT541ANS
IC204	8-759-569-65	s	IC BH3863F-E2
IC205	8-759-569-65	s	IC BH3863F-E2
IC206	8-759-322-47	s	IC HD63484CP8
IC207	8-759-322-07	s	IC HD63487CP
IC208	8-759-338-22	s	IC HM514402CZ-8
IC209	8-759-154-60	s	IC UPD71055GB-10-3B4
IC210	8-759-154-60	s	IC UPD71055GB-10-3B4
IC211	8-759-154-60	s	IC UPD71055GB-10-3B4
IC212	8-759-500-43	s	IC CXD8117P
IC213	8-759-600-34	s	IC M54532P
IC214	8-759-925-72	s	IC SN74HC02ANS
IC220	8-759-052-52	s	IC L78M05T-FA
L1	1-412-525-31	s	INDUCTOR 10uH
L2	1-424-449-11	s	COIL, CHOKE 110mH
L3	1-412-533-21	s	INDUCTOR 47uH

(CP-266 BOARD/BKDW-515)

Ref. No. or Q'ty	Part No.	SP	Description
L4	1-412-525-31	s	INDUCTOR 10uH
L5	1-409-339-00	s	COIL, CHOKE
L6	1-412-525-31	s	INDUCTOR 10uH
Q1	8-729-029-04	s	TRANSISTOR DTC123JUA-T106
Q2	8-729-029-04	s	TRANSISTOR DTC123JUA-T106
Q209	8-729-020-94	s	TRANSISTOR 2SA1314C-TE12L
Q210	8-729-029-04	s	TRANSISTOR DTC123JUA-T106
R1	1-216-648-11	s	METAL, CHIP 750 0.5% 1/10W (2125)
R2	1-208-810-11	s	METAL, CHIP 15K 0.5% 1/10W (2125)
R3	1-216-660-11	s	METAL, CHIP 2.4K 0.5% 1/10W (2125)
R4	1-208-789-11	s	METAL, CHIP 2.0K 0.5% 1/10W (2125)
R5	1-216-667-11	s	METAL, CHIP 4.7K 0.5% 1/10W (2125)
R6	1-208-785-11	s	METAL, CHIP 1.3K 0.5% 1/10W (2125)
R7	1-216-073-00	s	METAL, CHIP 10K 5% 1/10W (2125)
R8	1-216-073-00	s	METAL, CHIP 10K 5% 1/10W (2125)
R9	1-216-627-11	s	METAL, CHIP 100 0.5% 1/10W (2125)
R10	1-216-662-11	s	METAL, CHIP 3.0K 0.5% 1/10W (2125)
R11	1-216-651-11	s	METAL, CHIP 1.0K 0.5% 1/10W (2125)
R12	1-216-089-00	s	METAL, CHIP 47K 5% 1/10W (2125)
R13	1-216-089-00	s	METAL, CHIP 47K 5% 1/10W (2125)
R101	1-216-049-00	s	METAL, CHIP 1.0K 5% 1/10W (2125)
R102	1-216-077-00	s	METAL, CHIP 15K 5% 1/10W (2125)
R103	1-216-077-00	s	METAL, CHIP 15K 5% 1/10W (2125)
R104	1-216-097-00	s	METAL, CHIP 100K 5% 1/10W (2125)
R105	1-216-097-00	s	METAL, CHIP 100K 5% 1/10W (2125)
R106	1-216-037-00	s	METAL, CHIP 330 5% 1/10W (2125)
R108	1-216-037-00	s	METAL, CHIP 330 5% 1/10W (2125)
R109	1-208-817-11	s	RES, CHIP 30K 0.5% 1/10W (2012)
R110	1-216-677-11	s	METAL, CHIP 12K 0.5% 1/10W (2125)
R111	1-216-049-00	s	METAL, CHIP 1.0K 5% 1/10W (2125)
R112	1-216-059-00	s	METAL, CHIP 2.7K 5% 1/10W (2125)
R122	1-216-089-00	s	METAL, CHIP 47K 5% 1/10W (2125)
R123	1-216-089-00	s	METAL, CHIP 47K 5% 1/10W (2125)
R124	1-216-073-00	s	METAL, CHIP 10K 5% 1/10W (2125)
R125	1-216-089-00	s	METAL, CHIP 47K 5% 1/10W (2125)
R126	1-216-049-00	s	METAL, CHIP 1.0K 5% 1/10W (2125)
R206	1-216-089-00	s	METAL, CHIP 47K 5% 1/10W (2125)
R207	1-216-089-00	s	METAL, CHIP 47K 5% 1/10W (2125)
R208	1-216-089-00	s	METAL, CHIP 47K 5% 1/10W (2125)
R219	1-216-089-00	s	METAL, CHIP 47K 5% 1/10W (2125)
R230	1-216-067-00	s	METAL, CHIP 5.6K 5% 1/10W (2125)
R231	1-216-049-00	s	METAL, CHIP 1.0K 5% 1/10W (2125)
R232	1-216-049-00	s	METAL, CHIP 1.0K 5% 1/10W (2125)
R233	1-216-049-00	s	METAL, CHIP 1.0K 5% 1/10W (2125)
R234	1-216-049-00	s	METAL, CHIP 1.0K 5% 1/10W (2125)
R240	1-216-073-00	s	METAL, CHIP 10K 5% 1/10W (2125)
R241	1-216-049-00	s	METAL, CHIP 1.0K 5% 1/10W (2125)
RB1	1-239-419-11	s	RES, NETWORK, CHIP 470x4
RB2	1-239-419-11	s	RES, NETWORK, CHIP 470x4
RB3	1-239-419-11	s	RES, NETWORK, CHIP 470x4
RB4	1-239-419-11	s	RES, NETWORK, CHIP 470x4
RB101	1-239-308-11	s	RESISTOR BLOCK, CHIP 47Kx8
RB102	1-239-308-11	s	RESISTOR BLOCK, CHIP 47Kx8
RB103	1-239-308-11	s	RESISTOR BLOCK, CHIP 47Kx8
RB104	1-239-308-11	s	RESISTOR BLOCK, CHIP 47Kx8
RB105	1-239-308-11	s	RESISTOR BLOCK, CHIP 47Kx8
RB106	1-239-308-11	s	RESISTOR BLOCK, CHIP 47Kx8
RB107	1-239-308-11	s	RESISTOR BLOCK, CHIP 47Kx8

(CP-266 BOARD/BKDW-515)

Ref. No. or Q'ty	Part No.	SP Description
RB108	1-239-308-11	s RESISTOR BLOCK, CHIP 47Kx8
RB109	1-239-308-11	s RESISTOR BLOCK, CHIP 47Kx8
RB201	1-239-308-11	s RESISTOR BLOCK, CHIP 47Kx8
RB202	1-239-308-11	s RESISTOR BLOCK, CHIP 47Kx8
RB203	1-239-308-11	s RESISTOR BLOCK, CHIP 47Kx8
RB204	1-239-999-11	s RES, NETWORK, CHIP 1.0Kx4
RB205	1-233-235-11	s RES, NETWORK, CHIP 10Kx4
RB206	1-239-308-11	s RESISTOR BLOCK, CHIP 47Kx8
RB207	1-239-999-11	s RES, NETWORK, CHIP 1.0Kx4
S101	1-692-271-31	s SWITCH, SLIDE
S102	1-554-088-00	s SWITCH, PUSH
X1	1-760-527-11	s CRYSTAL 32MHZ

-----  
KY-330 BOARD/BKDW-515  
-----

Ref. No. or Q'ty	Part No.	SP Description
1pc	A-8269-121-A	o MOUNTED CIRCUIT BOARD, KY-330
1pc	1-565-102-21	s CONNECTOR, TX 40P, FEMALE
7pcs	3-668-124-00	o HOLDER, LED
1pc	3-689-869-01	o PIN, HOLDING
1pc	3-689-870-02	s HOLDER
1pc	3-689-876-02	o HOLDER
1pc	3-668-919-00	s ROLLER, GUIDE, SR
2pcs	7-622-207-05	s NUT 2.6, TYPE 2
1pc	7-669-465-01	s WASHER (1.5), STOPPER
4pcs	7-628-254-30	s SCREW +PS 2.6x10
C1	1-124-455-00	s ELECT 100uF 20% 16V
C2	1-163-038-00	s CERAMIC, CHIP 0.1uF 25V (2125)
CN2	1-540-216-11	s CONNECTOR, IC CARD 68P, MALE
D1	8-719-024-81	s DIODE 1SS300
D2	8-719-024-81	s DIODE 1SS300
D3	8-719-024-81	s DIODE 1SS300
D4	8-719-024-81	s DIODE 1SS300
D5	8-719-024-81	s DIODE 1SS300
D6	8-719-024-81	s DIODE 1SS300
D7	8-719-024-81	s DIODE 1SS300
D8	8-719-024-81	s DIODE 1SS300
D9	8-719-939-39	s LED GL5HD8, RED
D10	8-719-041-89	s LED TLG182P, GRN
D11	8-719-041-85	s LED TLY255A, YEL
D12	8-719-041-89	s LED TLG182P, GRN
D13	8-719-041-89	s LED TLG182P, GRN
D14	8-719-939-39	s LED GL5HD8, RED
D15	8-719-041-89	s LED TLG182P, GRN
Q1	8-729-029-04	s TRANSISTOR DTC123JUA-T106
Q2	8-729-029-04	s TRANSISTOR DTC123JUA-T106
Q3	8-729-029-04	s TRANSISTOR DTC123JUA-T106
Q4	8-729-029-04	s TRANSISTOR DTC123JUA-T106
Q5	8-729-029-04	s TRANSISTOR DTC123JUA-T106
Q6	8-729-029-04	s TRANSISTOR DTC123JUA-T106
Q7	8-729-029-04	s TRANSISTOR DTC123JUA-T106
Q8	8-729-029-04	s TRANSISTOR DTC123JUA-T106
Q9	8-729-029-04	s TRANSISTOR DTC123JUA-T106
Q10	8-729-029-04	s TRANSISTOR DTC123JUA-T106
Q11	8-729-029-04	s TRANSISTOR DTC123JUA-T106
Q12	8-729-029-04	s TRANSISTOR DTC123JUA-T106
Q13	8-729-029-04	s TRANSISTOR DTC123JUA-T106
Q14	8-729-029-04	s TRANSISTOR DTC123JUA-T106
Q15	8-729-029-04	s TRANSISTOR DTC123JUA-T106
Q16	8-729-029-04	s TRANSISTOR DTC123JUA-T106
Q17	8-729-029-04	s TRANSISTOR DTC123JUA-T106
Q18	8-729-029-04	s TRANSISTOR DTC123JUA-T106
Q19	8-729-029-04	s TRANSISTOR DTC123JUA-T106
Q20	8-729-029-04	s TRANSISTOR DTC123JUA-T106
Q21	8-729-029-04	s TRANSISTOR DTC123JUA-T106
Q22	8-729-029-04	s TRANSISTOR DTC123JUA-T106
Q23	8-729-029-04	s TRANSISTOR DTC123JUA-T106
R1	1-218-478-11	s METAL, CHIP 330 5% 1/4W (3225)
R2	1-220-260-11	s METAL, CHIP 390 5% 1/4W (3225)
R3	1-218-477-11	s METAL, CHIP 220 5% 1/4W (3225)
R4	1-220-260-11	s METAL, CHIP 390 5% 1/4W (3225)
R5	1-220-260-11	s METAL, CHIP 390 5% 1/4W (3225)
R6	1-220-260-11	s METAL, CHIP 390 5% 1/4W (3225)

(KY-330 BOARD/BKDW-515)

Ref. No. or Q'ty	Part No.	SP	Description
R7	1-220-260-11	s	METAL, CHIP 390 5% 1/4W (3225)
R8	1-218-477-11	s	METAL, CHIP 220 5% 1/4W (3225)
R9	1-220-260-11	s	METAL, CHIP 390 5% 1/4W (3225)
R10	1-220-260-11	s	METAL, CHIP 390 5% 1/4W (3225)
R11	1-220-260-11	s	METAL, CHIP 390 5% 1/4W (3225)
R12	1-220-260-11	s	METAL, CHIP 390 5% 1/4W (3225)
R13	1-220-260-11	s	METAL, CHIP 390 5% 1/4W (3225)
R14	1-220-260-11	s	METAL, CHIP 390 5% 1/4W (3225)
R15	1-220-260-11	s	METAL, CHIP 390 5% 1/4W (3225)
R16	1-220-260-11	s	METAL, CHIP 390 5% 1/4W (3225)
R17	1-218-478-11	s	METAL, CHIP 330 5% 1/4W (3225)
R18	1-218-478-11	s	METAL, CHIP 330 5% 1/4W (3225)
R19	1-218-478-11	s	METAL, CHIP 330 5% 1/4W (3225)
R20	1-220-260-11	s	METAL, CHIP 390 5% 1/4W (3225)
R21	1-220-260-11	s	METAL, CHIP 390 5% 1/4W (3225)
R22	1-220-260-11	s	METAL, CHIP 390 5% 1/4W (3225)
R23	1-220-260-11	s	METAL, CHIP 390 5% 1/4W (3225)
S1	1-692-892-21	s	SWITCH, PUSH (WITH LED)
S2	1-692-890-21	s	SWITCH, PUSH (WITH LED)
S3	1-692-891-21	s	SWITCH, PUSH (WITH LED)
S4	1-692-890-11	s	SWITCH, PUSH (WITH LED)
S5	1-692-890-11	s	SWITCH, PUSH (WITH LED)
S6	1-692-890-11	s	SWITCH, PUSH (WITH LED)
S7	1-692-994-11	s	SWITCH, PUSH (WITH LED)
S8	1-762-132-11	s	SWITCH, PUSH
S9	1-692-994-11	s	SWITCH, PUSH (WITH LED)
S10	1-762-042-11	s	SWITCH, PUSH (WITH LED)
S11	1-762-033-11	s	SWITCH, PUSH
S12	1-692-890-11	s	SWITCH, PUSH (WITH LED)
S13	1-692-890-11	s	SWITCH, PUSH (WITH LED)
S14	1-692-994-11	s	SWITCH, PUSH (WITH LED)
S15	1-692-994-11	s	SWITCH, PUSH (WITH LED)
S16	1-692-994-11	s	SWITCH, PUSH (WITH LED)

PTC-69 BOARD/BKDW-515

Ref. No. or Q'ty	Part No.	SP	Description
1pc	A-8276-585-A	o	MOUNTED CIRCUIT BOARD, PTC-69
1pc	3-180-859-01	o	HOLDER, SENSOR
C1	1-162-875-11	s	CERAMIC 68pF 5% 50V
C2	1-162-875-11	s	CERAMIC 68pF 5% 50V
C3	1-124-589-11	s	ELECT 47uF 20% 10V
C4	1-164-096-11	s	CERAMIC 0.01uF 50V
C5	1-164-096-11	s	CERAMIC 0.01uF 50V
CN1	1-564-009-11	o	CONNECTOR, 10P, MALE
CN2	1-564-002-11	s	CONNECTOR, 3P, MALE
DME1	8-745-001-00	s	DME DM-211A
IC1	8-759-145-58	s	IC UPC4558C
IC2	8-759-729-03	s	IC LM2903P
IC3	8-719-985-75	s	PHOTO-INTERRUPTER GP1A53HR
IC4	8-719-985-74	s	PHOTO-INTERRUPTER GP1A52HR
IC5	8-719-985-74	s	PHOTO-INTERRUPTER GP1A52HR
Q1	8-729-900-89	s	TRANSISTOR DTC144ES
R1	1-247-895-00	s	CARBON 470K 5% 1/4W
R2	1-247-847-31	s	CARBON 4.7K 5% 1/4W
R3	1-247-887-00	s	CARBON 220K 5% 1/4W
R4	1-249-433-11	s	CARBON 22K 5% 1/4W
R5	1-249-433-11	s	CARBON 22K 5% 1/4W
R6	1-249-433-11	s	CARBON 22K 5% 1/4W
R7	1-247-895-00	s	CARBON 470K 5% 1/4W
R8	1-247-847-31	s	CARBON 4.7K 5% 1/4W
R9	1-247-887-00	s	CARBON 220K 5% 1/4W
R10	1-249-433-11	s	CARBON 22K 5% 1/4W
R11	1-249-433-11	s	CARBON 22K 5% 1/4W
R12	1-249-433-11	s	CARBON 22K 5% 1/4W
R13	1-249-404-00	s	CARBON 82 5% 1/4W
RV1	1-228-472-00	s	RES, ADJ, CERMET 2K
RV2	1-228-472-00	s	RES, ADJ, CERMET 2K



## Section 5

### Packing Materials and Supplied Accessories List

#### 1. Recorder

-----  
 DVW-A500P(EK)  
 -----

Ref. No. or Q'ty	Part No.	SP Description
1pc	△ 1-782-929-12	s CORD, POWER SUPPLY (BS 3P)
1pc	3-613-640-01	o HOLDER (C), PLUG
1pc	3-181-533-04	o CUSHION (LOWER)
1pc	3-181-534-04	o CUSHION (UPPER)
1pc	3-181-535-01	o SPACER (A)
1pc	3-181-536-01	o SPACER (B)
1pc	3-181-774-05	o INDIVIDUAL CARTON
4pcs	7-682-965-01	s SCREW +PSW 4x16

-----  
 DVW-A500P(UC)  
 -----

Ref. No. or Q'ty	Part No.	SP Description
1pc	△ 1-551-812-11	s CORD, POWER 3P
1pc	2-990-242-01	s HOLDER (B), PLUG
1pc	3-181-533-04	o CUSHION (LOWER)
1pc	3-181-534-04	o CUSHION (UPPER)
1pc	3-181-535-01	o SPACER (A)
1pc	3-181-536-01	o SPACER (B)
1pc	3-181-774-05	o INDIVIDUAL CARTON
4pcs	7-682-965-01	s SCREW +PSW 4x16

-----  
 DVW-500P(EK)  
 -----

Ref. No. or Q'ty	Part No.	SP Description
1pc	△ 1-782-929-12	s CORD, POWER SUPPLY (BS 3P)
1pc	3-613-640-01	o HOLDER (C), PLUG
1pc	3-181-533-04	o CUSHION (LOWER)
1pc	3-181-534-04	o CUSHION (UPPER)
1pc	3-181-535-01	o SPACER (A)
1pc	3-181-536-01	o SPACER (B)
1pc	3-181-774-04	o INDIVIDUAL CARTON
4pcs	7-682-965-01	s SCREW +PSW 4x16

-----  
 DVW-500P(UC)  
 -----

Ref. No. or Q'ty	Part No.	SP Description
1pc	△ 1-551-812-11	s CORD, POWER 3P
1pc	2-990-242-01	s HOLDER (B), PLUG
1pc	3-181-533-04	o CUSHION (LOWER)
1pc	3-181-534-04	o CUSHION (UPPER)
1pc	3-181-535-01	o SPACER (A)
1pc	3-181-536-01	o SPACER (B)
1pc	3-181-774-04	o INDIVIDUAL CARTON
4pcs	7-682-965-01	s SCREW +PSW 4x16

-----  
 DVW-A500P/1(CE)  
 -----

Ref. No. or Q'ty	Part No.	SP Description
1pc	△ 1-782-929-11	s CORD, POWER SUPPLY (BS 3P)
1pc	1-759-164-11	s CARD, MEMORY (SRAM 64K BYTE)
1pc	3-613-640-01	o HOLDER (C), PLUG
1pc	3-181-533-04	o CUSHION (LOWER)
1pc	3-181-534-04	o CUSHION (UPPER)
1pc	3-181-535-01	o SPACER (A)
1pc	3-181-536-01	o SPACER (B)
2pcs	3-189-078-01	o CUSHION
1pc	3-189-456-01	o PLATE, TOP
1pc	3-189-457-01	o SPACER (C)
1pc	3-189-460-01	o INDIVIDUAL CARTON
4pcs	7-682-965-01	s SCREW +PSW 4x16

-----  
 DVW-A500P/1(UC)  
 -----

Ref. No. or Q'ty	Part No.	SP Description
1pc	△ 1-551-812-11	s CORD, POWER 3P
1pc	1-772-749-11	s CARD, MEMORY (SRAM 64K)
1pc	2-990-242-01	o HOLDER (B), PLUG
1pc	3-181-533-04	o CUSHION (LOWER)
1pc	3-181-534-04	o CUSHION (UPPER)
1pc	3-181-535-01	o SPACER (A)
1pc	3-181-536-01	o SPACER (B)
2pcs	3-189-078-01	o CUSHION
1pc	3-189-456-01	o PLATE, TOP
1pc	3-189-457-01	o SPACER (C)
1pc	3-189-460-01	o INDIVIDUAL CARTON
4pcs	7-682-965-01	s SCREW +PSW 4x16

## 2. Player

-----  
DVW-500P/1(CE)  
-----

Ref. No. or Q'ty	Part No.	SP Description
1pc	△ 1-782-929-11	s CORD, POWER SUPPLY (BS 3P)
1pc	1-759-164-11	s CARD, MEMORY (SRAM 64K BYTE)
1pc	3-613-640-01	o HOLDER (C), PLUG
1pc	3-181-533-04	o CUSHION (LOWER)
1pc	3-181-534-04	o CUSHION (UPPER)
1pc	3-181-535-01	o SPACER (A)
1pc	3-181-536-01	o SPACER (B)
2pcs	3-189-078-01	o CUSHION
1pc	3-189-456-01	o PLATE, TOP
1pc	3-189-457-01	o SPACER (C)
1pc	3-189-461-01	o INDIVIDUAL CARTON
4pcs	7-682-965-01	s SCREW +PSW 4x16

-----  
DVW-500P/1(UC)  
-----

Ref. No. or Q'ty	Part No.	SP Description
1pc	△ 1-551-812-11	s CORD, POWER 3P
1pc	1-772-749-11	s CARD, MEMORY (SRAM 64K)
1pc	2-990-242-01	o HOLDER (B), PLUG
1pc	3-181-533-04	o CUSHION (LOWER)
1pc	3-181-534-04	o CUSHION (UPPER)
1pc	3-181-535-01	o SPACER (A)
1pc	3-181-536-01	o SPACER (B)
2pcs	3-189-078-01	o CUSHION
1pc	3-189-456-01	o PLATE, TOP
1pc	3-189-457-01	o SPACER (C)
1pc	3-189-461-01	o INDIVIDUAL CARTON
4pcs	7-682-965-01	s SCREW +PSW 4x16

-----  
DVW-A510P(EK)  
-----

Ref. No. or Q'ty	Part No.	SP Description
1pc	△ 1-782-929-11	s CORD, POWER SUPPLY (BS 3P)
1pc	3-613-640-01	o HOLDER (C), PLUG
1pc	3-181-533-02	o CUSHION (LOWER)
1pc	3-181-534-02	o CUSHION (UPPER)
1pc	3-181-535-01	o SPACER (A)
1pc	3-181-536-01	o SPACER (B)
1pc	3-183-117-03	o INDIVIDUAL CARTON
4pcs	7-682-965-01	s SCREW +PSW 4x16

-----  
DVW-510P(EK)  
-----

Ref. No. or Q'ty	Part No.	SP Description
1pc	△ 1-782-929-11	s CORD, POWER SUPPLY (BS 3P)
1pc	3-613-640-01	o HOLDER (C), PLUG
1pc	3-181-533-02	o CUSHION (LOWER)
1pc	3-181-534-02	o CUSHION (UPPER)
1pc	3-181-535-01	o SPACER (A)
1pc	3-181-536-01	o SPACER (B)
1pc	3-183-477-02	o INDIVIDUAL CARTON
4pcs	7-682-965-01	s SCREW +PSW 4x16

-----  
DVW-CA510P(EK)  
-----

Ref. No. or Q'ty	Part No.	SP Description
1pc	△ 1-782-929-11	s CORD, POWER SUPPLY (BS 3P)
1pc	3-613-640-01	o HOLDER (C), PLUG
1pc	3-183-868-01	o PLATE, TOP
1pc	3-183-870-01	o INDIVIDUAL CARTON
1pc	3-183-871-01	o CUSHION (UPPER)
1pc	3-183-872-01	o CUSHION (LOWER)
1pc	3-704-318-01	o BAG, PROTECTION

### 3. Optional equipment

-----  
BKDW-507  
-----

Ref. No. or Q'ty	Part No.	SP Description
2pcs	3-660-828-00	o HOLDER (9), PC BOARD

-----  
BKDW-509  
-----

Ref. No. or Q'ty	Part No.	SP Description
1pc	1-563-379-11	s SHELL, D-SUB 50P
1pc	1-565-516-11	s HOUSING, 50P

-----  
BKDW-510  
-----

Ref. No. or Q'ty	Part No.	SP Description
1pc	1-751-316-11	o CABLE ASSY, ENCAPSULATED

-----  
BKDW-514  
-----

Ref. No. or Q'ty	Part No.	SP Description
1pc	3-188-251-01	o SPACER
1pc	3-188-252-01	o CUSHION (LEFT)
1pc	3-188-253-01	o CUSHION (RIGHT)
1pc	3-188-254-01	o INDIVIDUAL CARTON
1pc	3-704-292-01	o BAG, PROTECTION

-----  
BKDW-515  
-----

Ref. No. or Q'ty	Part No.	SP Description
1pc	X-3678-375-3	s SLIDER AD(R)ASSY
1pc	X-3678-376-3	s SLIDER AD(L)ASSY
1pc	1-772-749-11	s CARD, MEMORY (SRAM 64K)
1pc	3-189-075-01	o SPACER (B)
1pc	3-189-076-01	o BOX, ACCESSORY
1pc	3-189-077-01	o SPACER (A)
2pcs	3-189-078-01	o CUSHION
1pc	3-189-079-01	o INDIVIDUAL CARTON
1pc	3-689-875-01	o COVER,SWC
6pcs	7-682-547-09	s SCREW +B 3X6
4pcs	7-685-871-09	s SCREW +BVTT 3x6 (S)





## Section 6

### Optional Fixtures List

Part No.	SP Description	Part No.	SP Description
J-6001-820-A	o DRUM ECCENTRICITY GAUGE (3)	J-6530-760-A	o TG-O ADJUSTMENT FIXTURE
J-6001-830-A	o DRUM ECCENTRICITY GAUGE (2)	J-7032-740-B	o TAPE TENSION MEASUREMENT JIG
J-6001-840-A	o DRUM ECCENTRICITY GAUGE (1)		
J-6325-530-A	o DRUM ECCENTRICITY GAUGE (6)		
J-6087-000-A	o DRUM ECCENTRICITY GAUGE (5)		
J-6324-030-A	o DRUM ECCENTRICITY GAUGE (7)		
J-6035-070-A	o EXTRACTION TOOL (for PLCC socket)		
J-6080-029-A	o SMALL DENTAL MIRROR (Round type)		
J-6086-570-A	o REFERENCE FLAT PLATE		
J-6152-450-A	o WIRE CLEARANCE CHECK GAUGE SET		
J-6190-800-A	o TENSION REGULATOR SLANTENSS TOOL		
J-6251-090-A	o TORQUE SCREWDRIVER'S HEXAGONAL BIT (d=2.5 mm, l=120 mm)		
J-6323-440-A	o TORQUE SCREWDRIVER'S HEXAGONAL BIT (d=0.89 mm, l=50 mm)		
J-6323-500-A	o TORQUE SCREWDRIVER'S HEXAGONAL BIT (d=2 mm, l=75 mm)		
J-6323-420-A	o TORQUE SCREWDRIVER'S BIT (+2 mm, l=75 mm)		
J-6323-430-A	o TORQUE SCREWDRIVER'S BIT (+3 mm, l=90 mm)		
J-6252-510-A	o TORQUE SCREWDRIVER (6 kg•cm)		
J-6252-520-A	o TORQUE SCREWDRIVER (12 kg•cm)		
J-6269-800-A	o EXTENSION BOARD (L), EX-365 (for DVW-A500P/500P/A510P/510P)		
J-6269-810-A	o EXTENSION BOARD (S), EX-377 (for DVW-A500P/500P/A510P/510P)		
J-6420-350-A	o EXTENSION BOARD (L), EX-366 (for DVW-CA510P)		
J-6420-360-A	o EXTENSION BOARD (S), EX-378 (for DVW-CA510P)		
J-6320-870-A	o REEL MOTOR SHAFT SLANTNESS CHECK FIXTURE		
J-6320-880-A	o CASSETTE REFERENCE PLATE (L)		
J-6322-610-A	o TAPE GUIDE ADJUSTMENT DRIVER		
J-6329-350-A	o REEL TABLE HEIGHT GAUGE		
J-6332-240-A	o VISC PHASE ADJUSTING TOOL		
J-6420-320-A	o EXTENSION CABLE SET		
1-952-684-11	o EXTENSION CABLE (14P) (for DVW-A500P/CA510P)		
3-184-527-01	o CLEANING CLOTH (15 cm x 15 cm)		
7-432-114-11	o LOCKING COMPOUND, 1401B (200 g)		
7-661-018-18	o DIAMOND OIL, NT-68 (50 ml)		
7-651-000-10	o SONY GREASE, SGL-601 (50 g)		
7-700-736-01	o L-SHAPED HEXAGONAL WRENCH (d=1.27 mm)		
7-700-736-03	o L-SHAPED HEXAGONAL WRENCH (d=2 mm)		
7-700-736-05	o L-SHAPED HEXAGONAL WRENCH (d=1.5 mm)		
7-700-736-06	o L-SHAPED HEXAGONAL WRENCH (d=0.9 mm)		
7-700-766-04	o HEXAGONAL WRENCH DRIVER (d=2.5 mm)		
7-732-050-30	o TENSION GAUGE (Max. 100 g)		
8-960-073-51	o ALIGNMENT TAPE, ZR5-1P		
8-960-073-61	o ALIGNMENT TAPE, ZR2-1P		
8-960-096-51	o ALIGNMENT TAPE, CR2-1B PS		
8-960-096-91	o ALIGNMENT TAPE, CR5-1B PS		
8-960-096-86	o ALIGNMENT TAPE, CR8-1B PS		
8-960-098-44	o ALIGNMENT TAPE, CR5-2A PS		
8-960-098-45	o ALIGNMENT TAPE, CR8-1A PS		
9-911-053-00	o THICKNESS GAUGE		
9-919-573-01	o CLEANING LIQUID		



このマニュアルに記載されている事柄の著作権は当社にあり、説明内容は機器購入者の使用を目的としています。

従って、当社の許可なしに無断で複製したり、説明内容(操作、保守等)と異なる目的で本マニュアルを使用することを禁止します。

The material contained in this manual consists of information that is the property of Sony Corporation and is intended solely for use by the purchasers of the equipment described in this manual.

Sony Corporation expressly prohibits the duplication of any portion of this manual or the use thereof for any purpose other than the operation or maintenance of the equipment described in this manual without the express written permission of Sony Corporation.

Le matériel contenu dans ce manuel consiste en informations qui sont la propriété de Sony Corporation et sont destinées exclusivement à l'usage des acquéreurs de l'équipement décrit dans ce manuel.

Sony Corporation interdit formellement la copie de quelque partie que ce soit de ce manuel ou son emploi pour tout autre but que des opérations ou entretiens de l'équipement à moins d'une permission écrite de Sony Corporation.

Das in dieser Anleitung enthaltene Material besteht aus Informationen, die Eigentum der Sony Corporation sind, und ausschließlich zum Gebrauch durch den Käufer der in dieser Anleitung beschriebenen Ausrüstung bestimmt sind.

Die Sony Corporation untersagt ausdrücklich die Vervielfältigung jeglicher Teile dieser Anleitung oder den Gebrauch derselben für irgendeinen anderen Zweck als die Bedienung oder Wartung der in dieser Anleitung beschriebenen Ausrüstung ohne ausdrückliche schriftliche Erlaubnis der Sony Corporation.

DVW-A500P (UC, EK)  
DVW-500P (UC, EK)  
DVW-A500P/1 (UC, EK)  
DVW-500P/1 (UC, EK)  
DVW-A510P (EK)  
DVW-510P (EK)  
DVW-CA510P (EK) E  
9-967-511-07

**Sony Corporation**  
B&P Company

Printed in Japan  
2003. 12 08  
©1993