

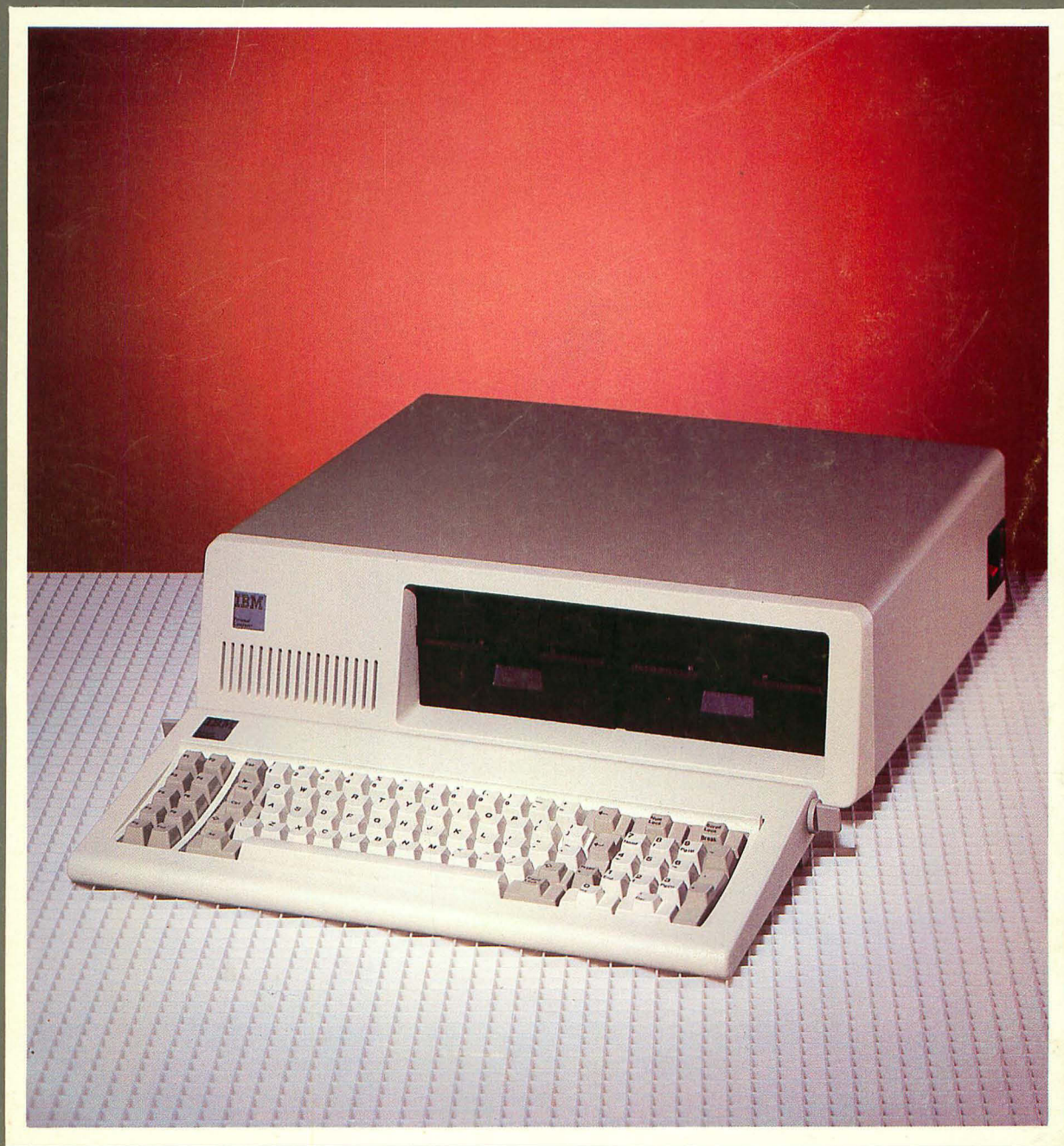
SAMS

CSCS2 08914

COMPUTERFACTS™

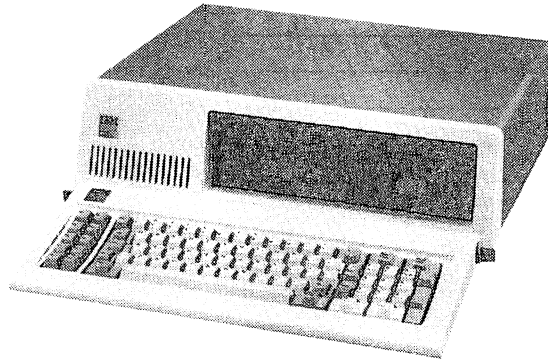
TECHNICAL SERVICE DATA

COMPUTER : IBM® PC 5150



FEATURES: COMPLETE SCHEMATICS • PRELIMINARY SERVICE CHECKS • TROUBLESHOOTING TIPS •
EASY-READ WAVEFORMS • REPLACEMENT PARTS LISTS • SEMICONDUCTOR CROSS-REFERENCE

**KEYBOARD, SYSTEM BOARD
PRINTER ADAPTER,
POWER SUPPLY**



**IBM
MODEL 5150
CSCS2**

**MONOCHROME MONITOR/
PRINTER ADAPTER**

See Folder CSCS2-A

**COLOR GRAPHIC
MONITOR ADAPTER**

See Folder CSCS2-B

**DISK DRIVE ADAPTER/
DISK DRIVES (A & B) TYPE 1**

See Folder CSCS2-C

SAFETY PRECAUTIONS

See page 44.

PRELIMINARY SERVICE CHECKS

ENCLOSED

**CSCS2
MODEL 5150
IBM**

INDEX

	Page		Page
Alignment		Photos	
Disk Drives (A & B) Type 1	43	AC Input Board	39
Block Diagram	55	Keyboard Type 2	40
Disassembly Instructions	13	Power Board	36,37,38
General Operating Instructions	12,13	Printer Adapter	41,42
GridTrace Location Guide		System Board	26,27,34,35
Power Board	25	Safety Precautions	44
Printer Adapter	42	Schematics	
System Board	25	Keyboard Type 2	2
IC Pinouts & Terminal Guides		Power Supply	8,9,52,53
Keyboard Type 2	50	Printer Adapter	7,54
Power Supply	50	System Board	2 thru 6, 56 thru 61
Printer Adapter	11	Schematic Notes	
System Board	10,51	Keyboard Type 2, Power Supply,	
Line Definitions	45	System Board	44
Logic Chart		Printer Adapter	44,45
Keyboard Type 2	46	Troubleshooting	
Printer Adapter	46	Color Graphic Monitor Adapter	20,21
System Board	47,48,49	Disk Drives and Adapter	22,23,24
Miscellaneous Adjustments		Keyboard Type 2	14
Power Board	12	Monochrome Monitor/Printer Adapter	17,18,19
System Board	12	Power Supply	14
Parts List	28 thru 33	Printer Adapter	17
		System Board	15,16,17



Howard W. Sams & Co.

4300 West 62nd Street, P.O. Box 7092, Indianapolis, Indiana 46206 U.S.A.

The listing of any available replacement part herein does not constitute in any case a recommendation, warranty or guaranty by Howard W. Sams & Co. as to the quality and suitability of such replacement part. The numbers of these parts have been compiled from information furnished to Howard W. Sams & Co. by the manufacturers of the particular type of replacement part listed.

Reproduction or use, without express permission, of editorial or pictorial content, in any manner, is prohibited. No patent liability is assumed with respect to the use of the information contained herein.

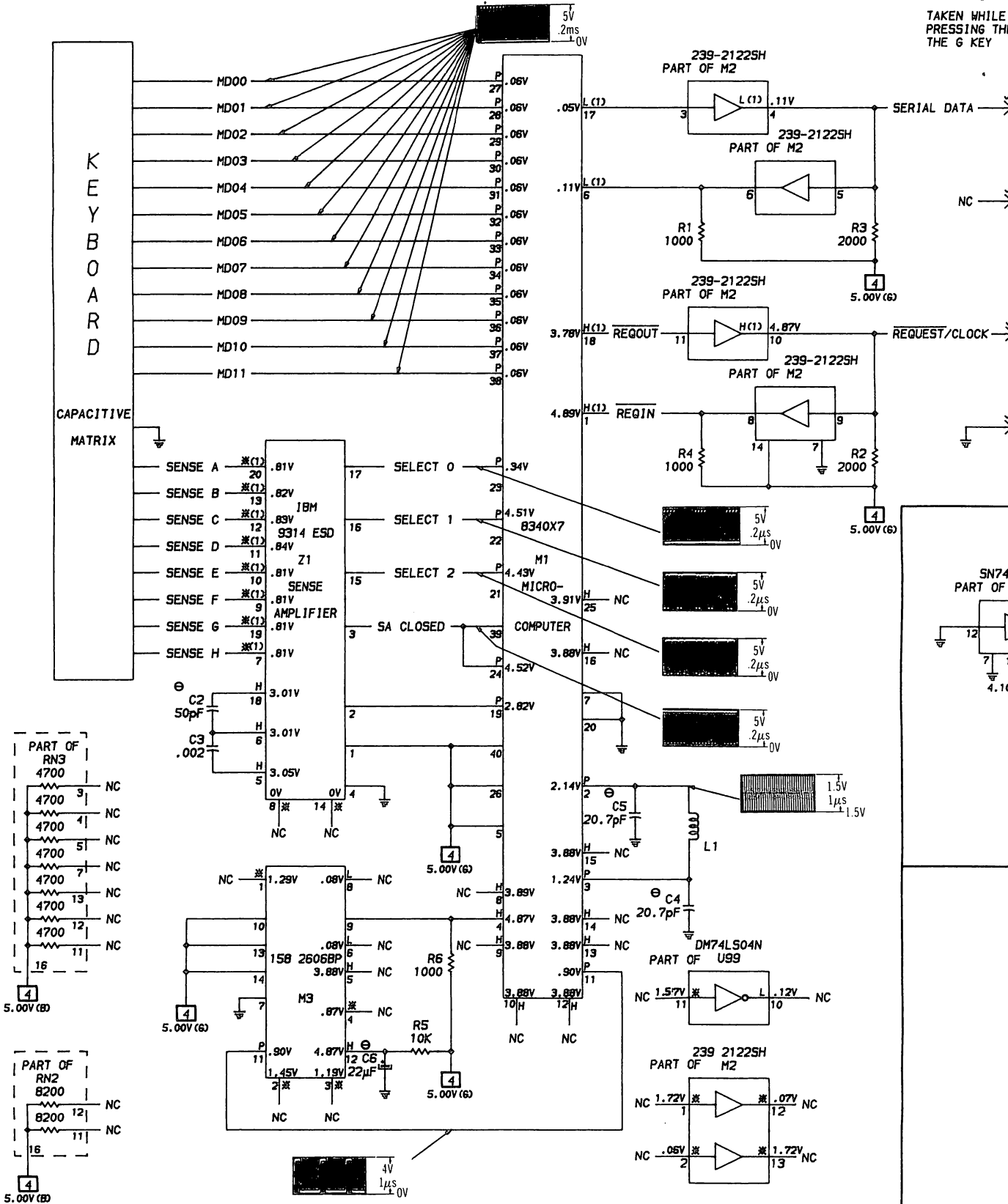
© 1984 Howard W. Sams & Co.,

4300 West 62nd Street, P.O. Box 7092, Indianapolis, Indiana 46206 U.S.A.

Printed in U.S. of America. **84CF14923**

DATE 9-84

TAKEN WHILE
PRESSING THE
THE G KEY

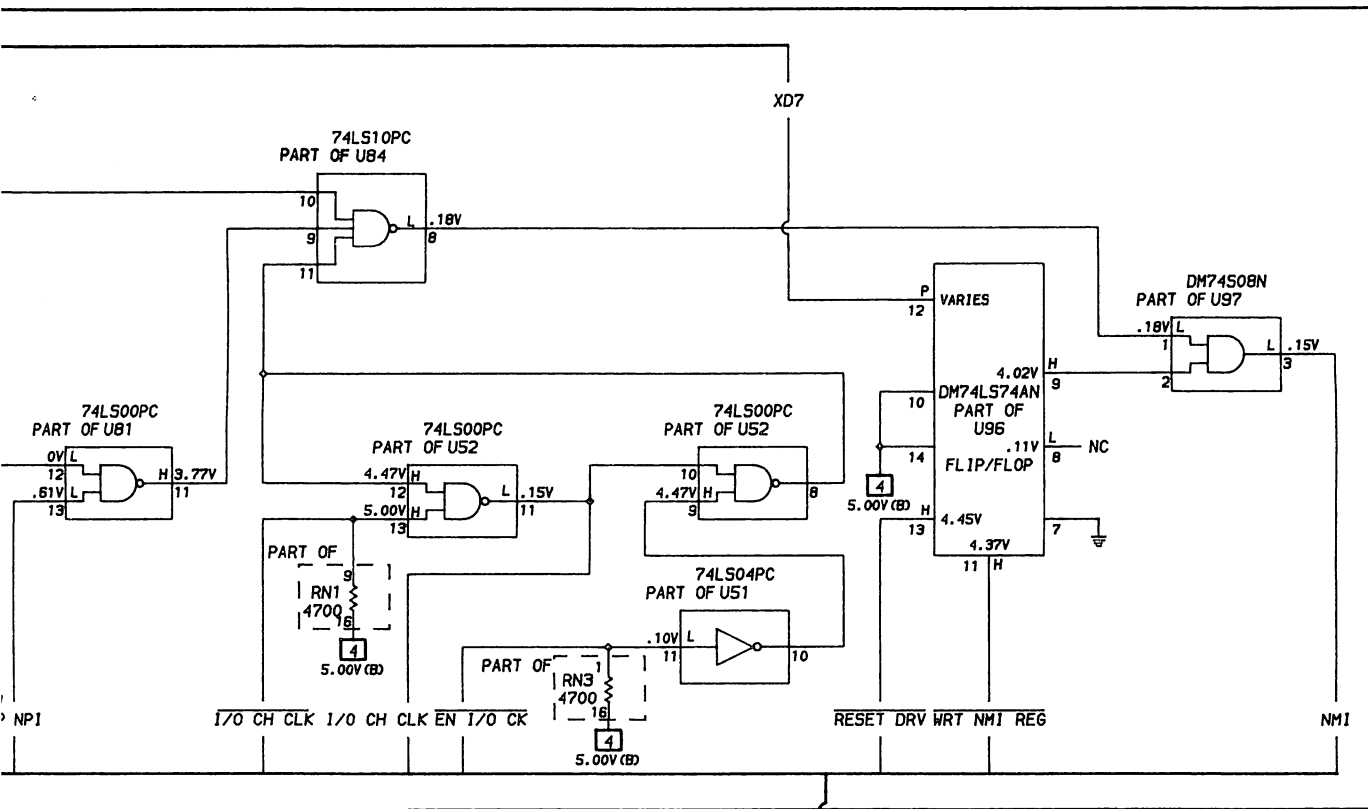


A PHOTOFAC STANDARD NOTATION SCHEMATIC

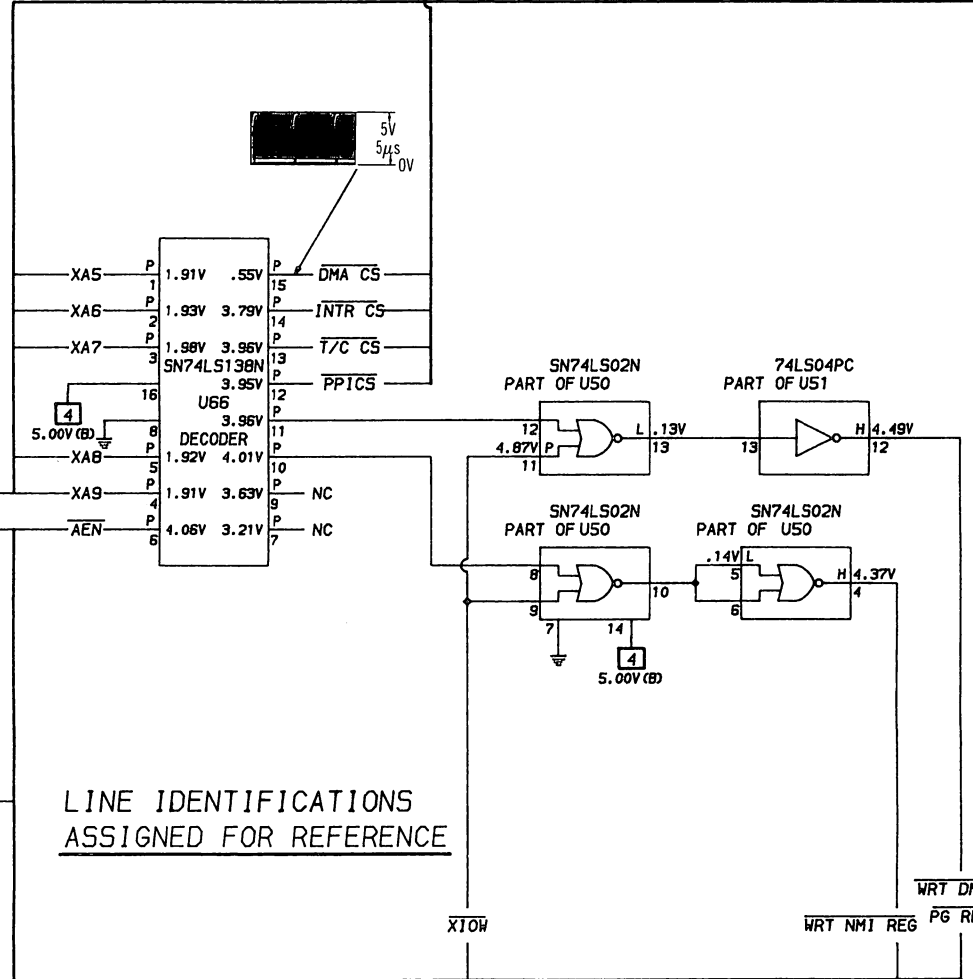
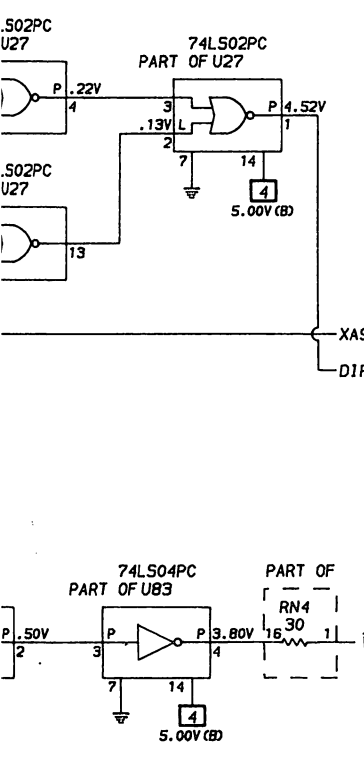
WITH **CIRCUITRACE**

© Howard W. Sams & Co., Inc. 1984

KEYBOARD TYPE 2, SYSTEM BOARD



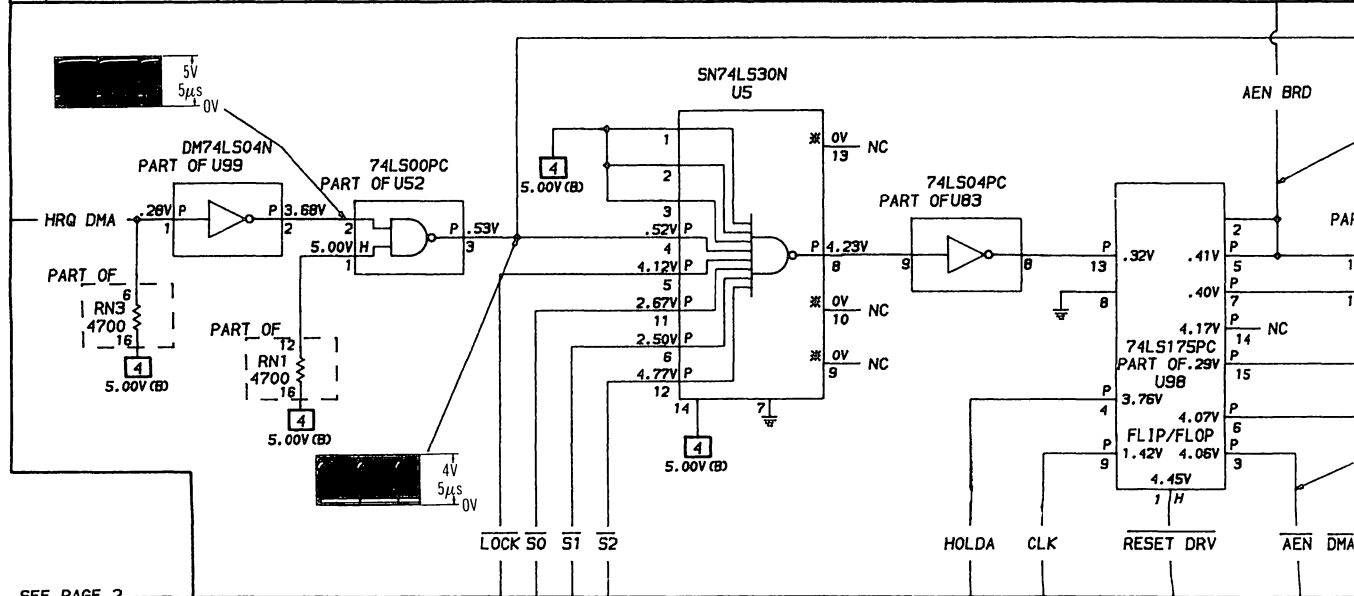
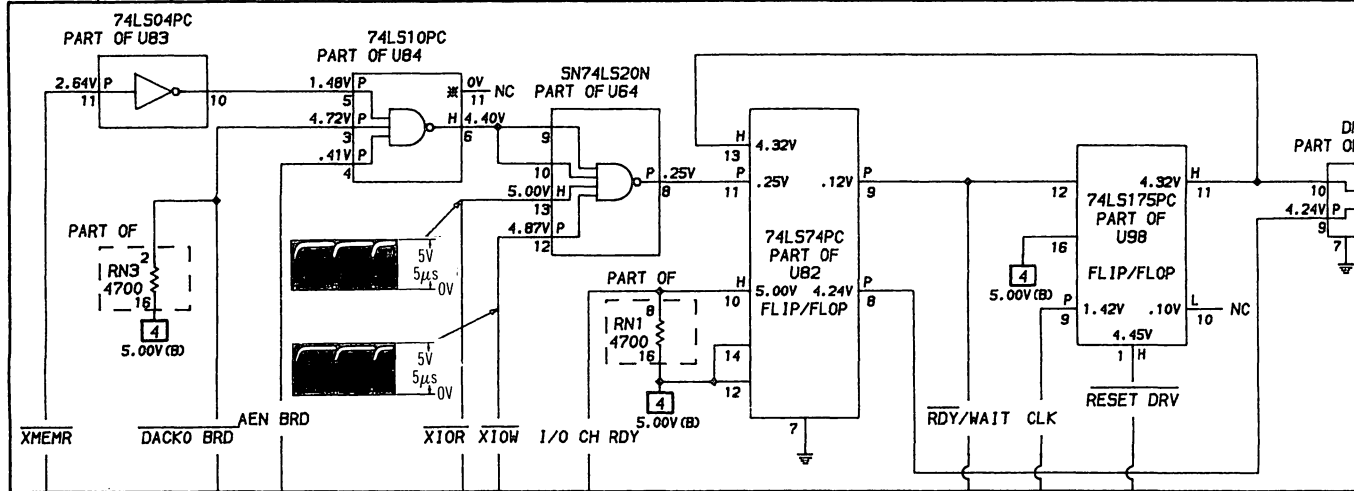
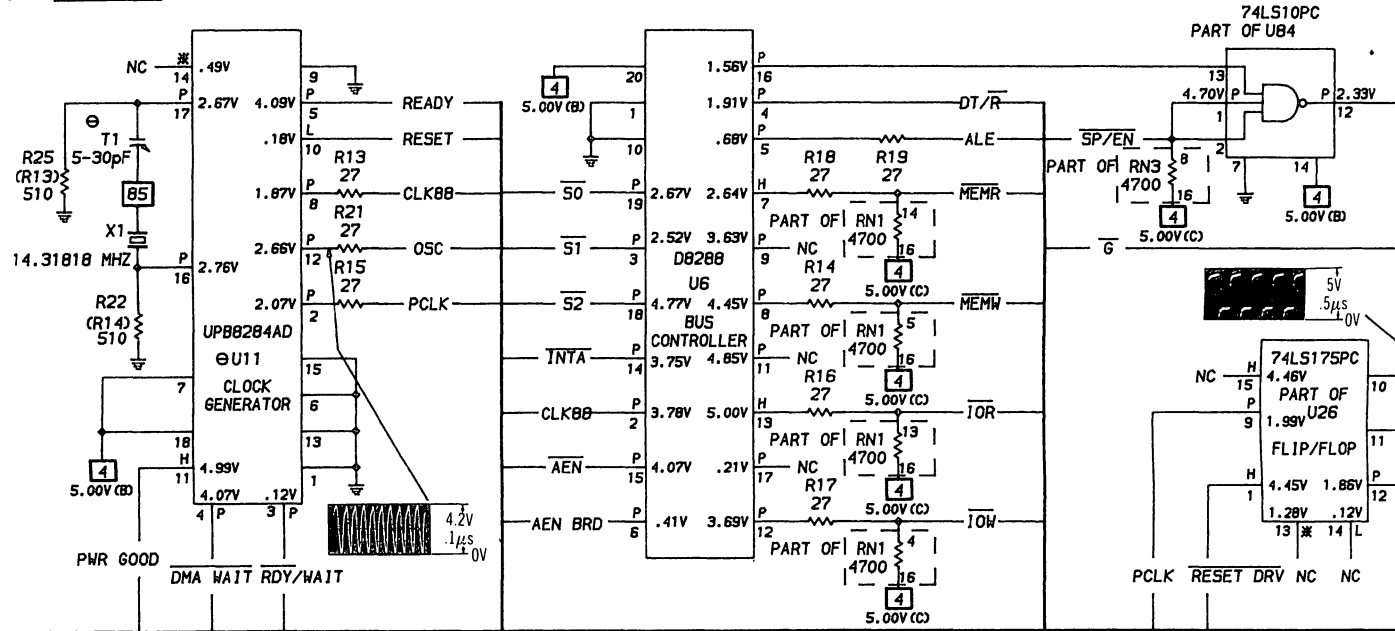
SCHEMATIC NOTES BEFORE
 G VOLTAGES, WAVEFORMS
 OGIC PROBE READINGS



LINE IDENTIFICATIONS
 ASSIGNED FOR REFERENCE

A — SEE PAGE 2

C — SEE PAGE 2



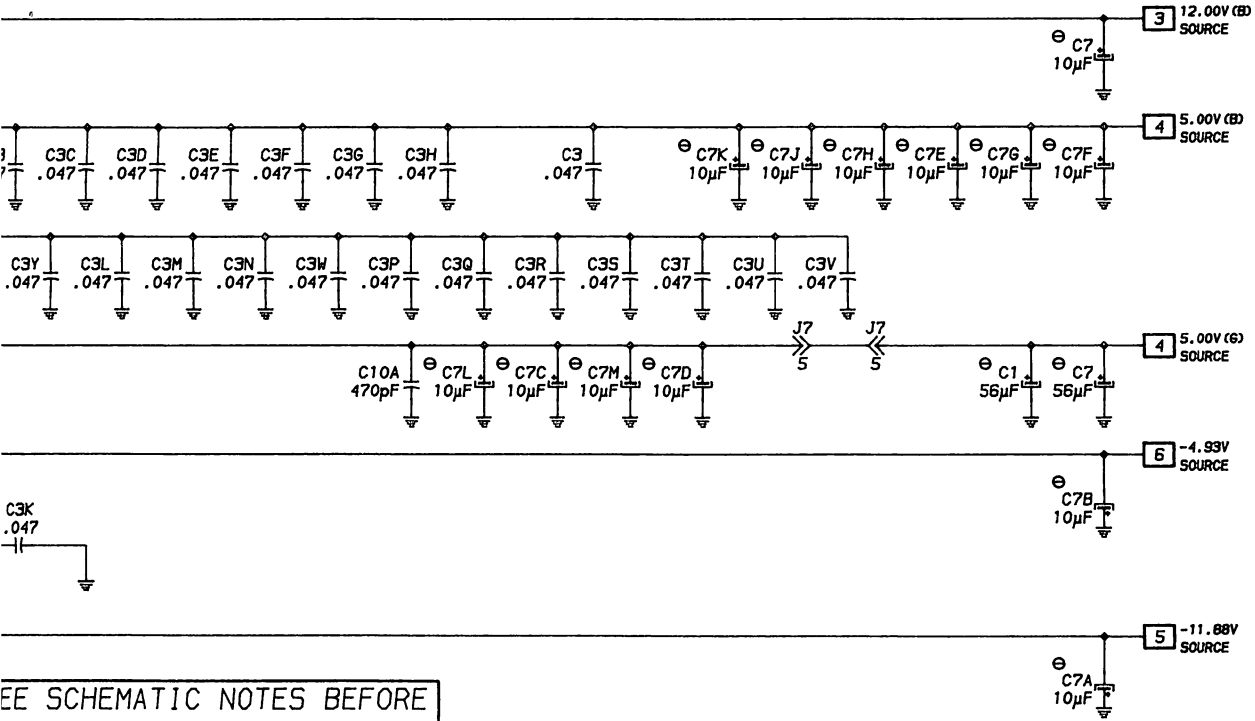
G — SEE PAGE 2

A PHOTOFAC STANDARD NOTATION SCHEMATIC

WITH **CIRCUITAGE**

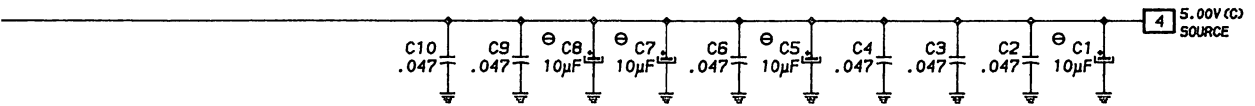
© Howard W. Sams & Co., Inc. 1984

SYSTEM BOARD

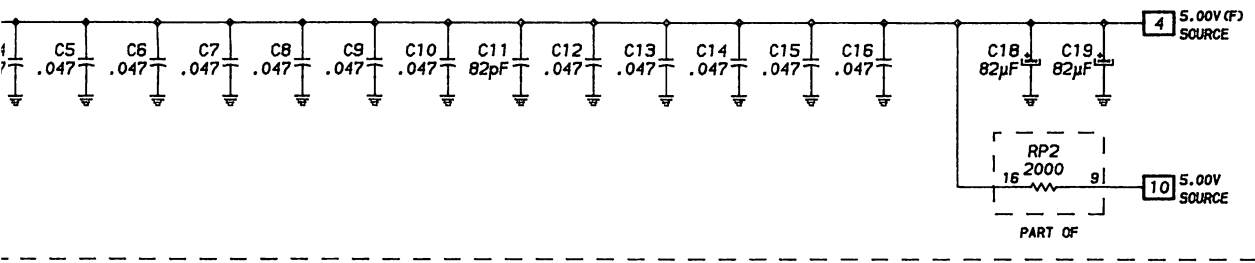


SEE SCHEMATIC NOTES BEFORE
 MAKING VOLTAGES, WAVEFORMS
 AND LOGIC PROBE READINGS

PRINTER ADAPTER BOARD



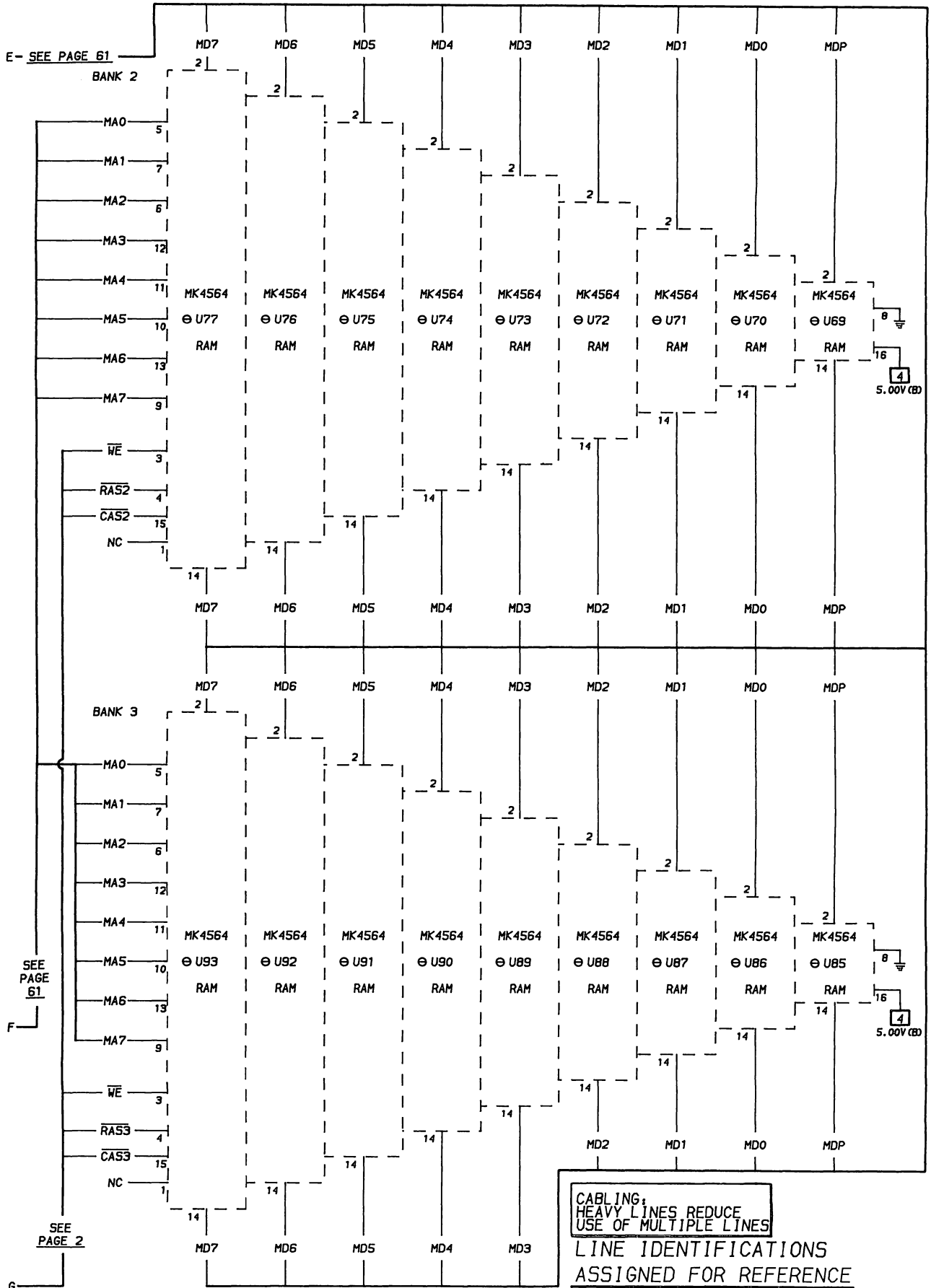
DISK DRIVE ADAPTER BOARD



CABLING:
 HEAVY LINES REDUCE
 USE OF MULTIPLE LINES

LINE IDENTIFICATIONS
 ASSIGNED FOR REFERENCE

PHOTO CIRCUITRACE = **11**
 SCHEMATIC CIRCUITRACE = **11**

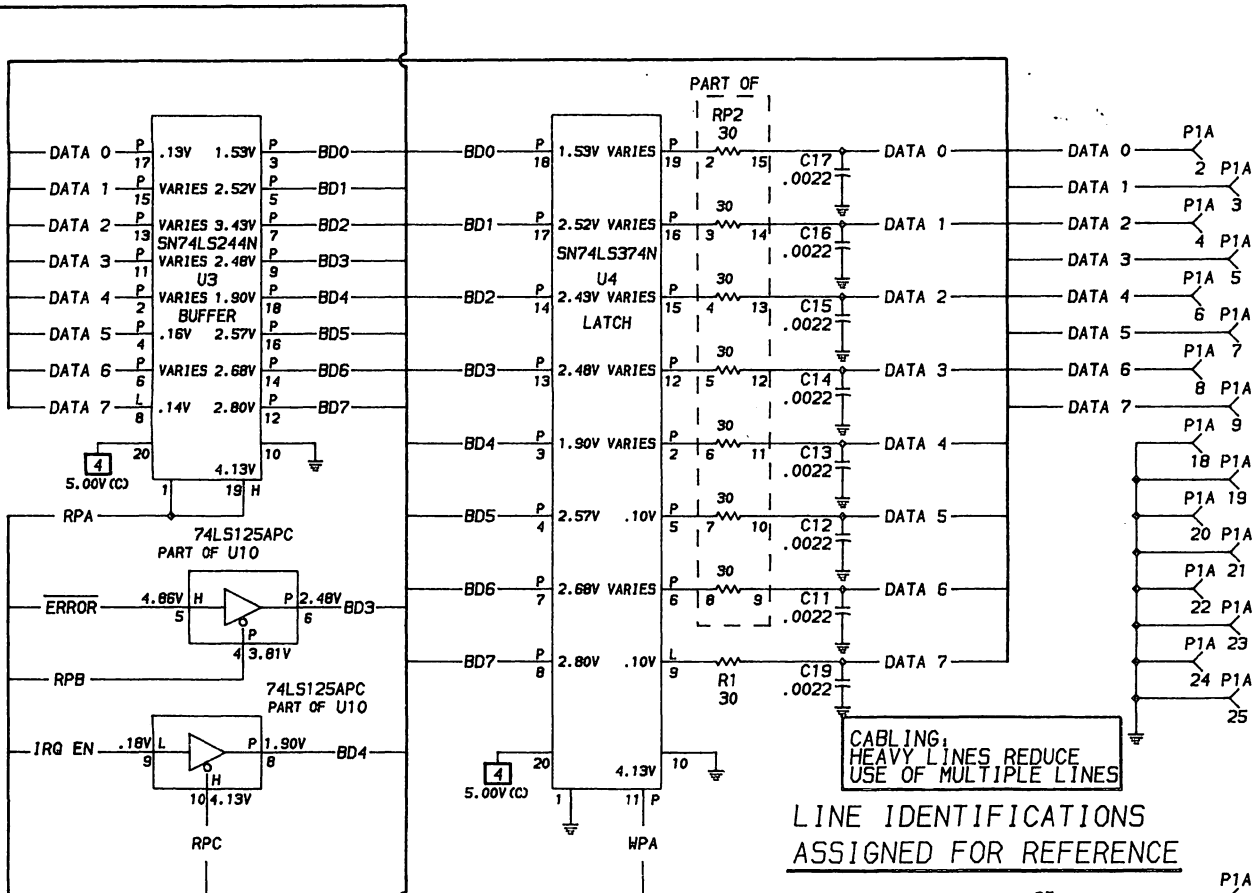


A PHOTOFAC STANDARD NOTATION SCHEMATIC

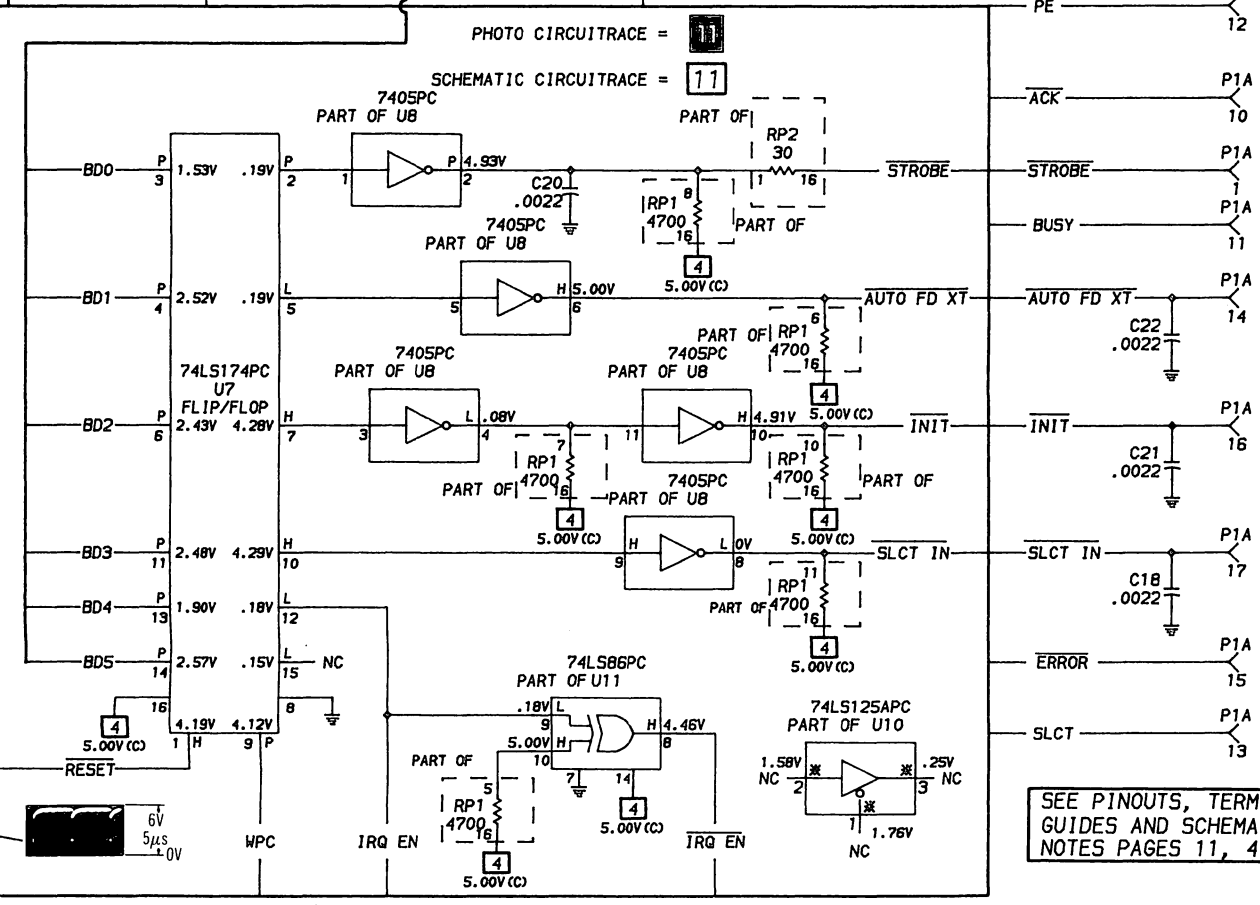
WITH **CIRCUITRACE**

© Howard W. Sams & Co., Inc. 1984

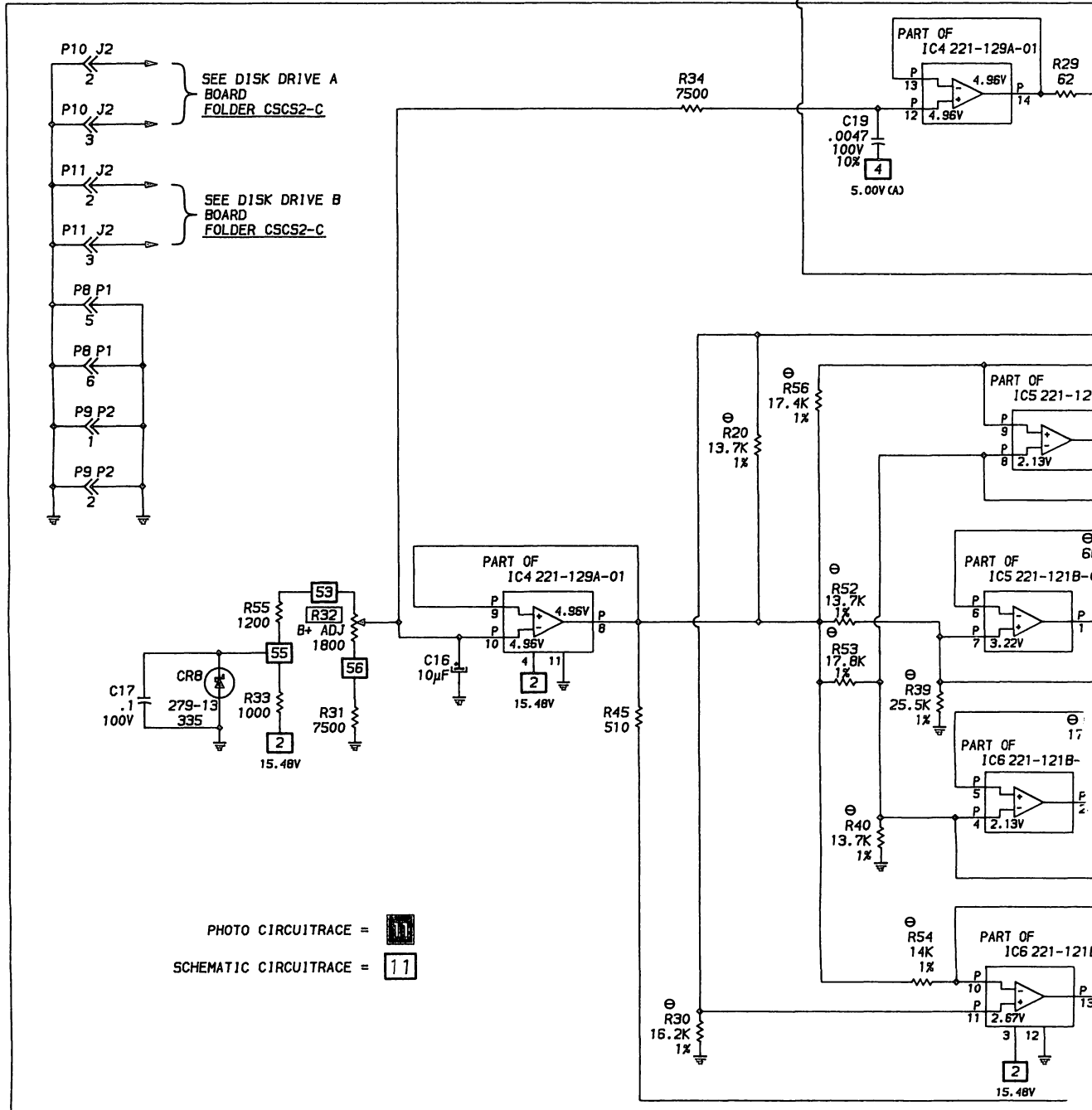
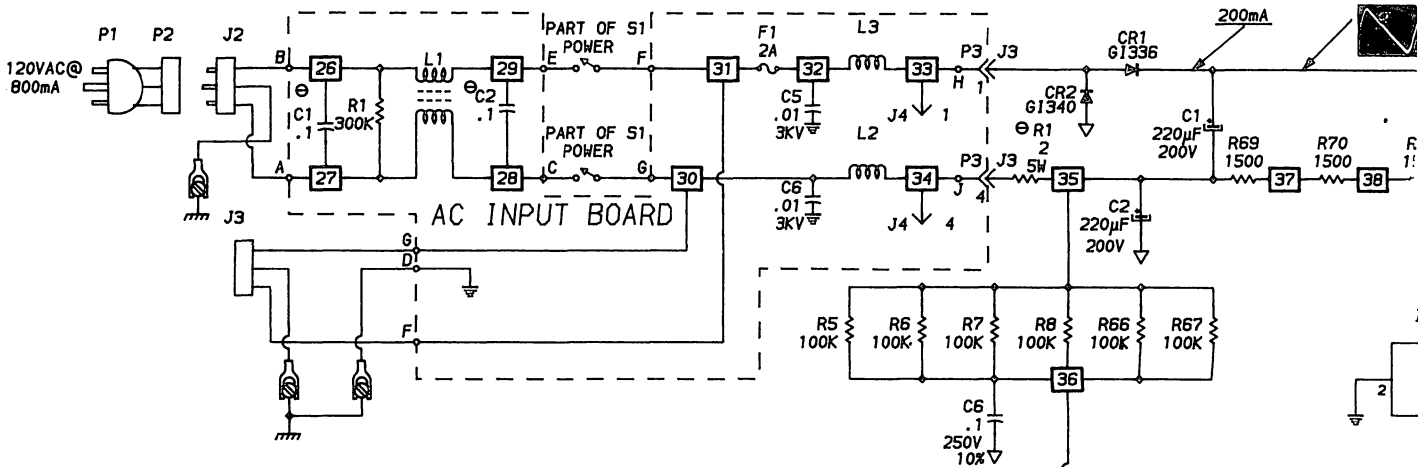
SYSTEM BOARD



T
O
P
R
I



P1A 12
P1A 10
P1A 11
P1A 14
P1A 16
P1A 17
P1A 15
P1A 13

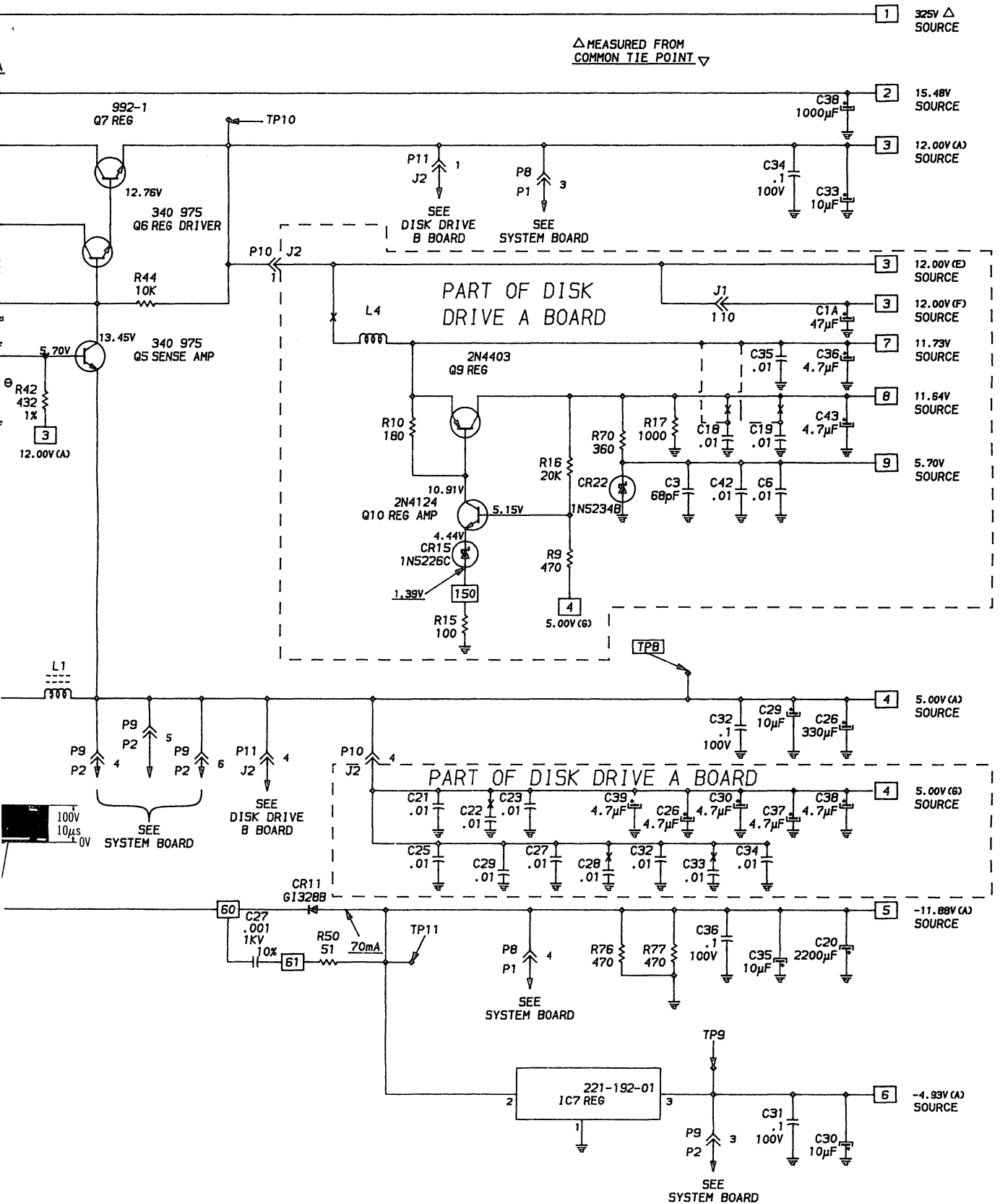


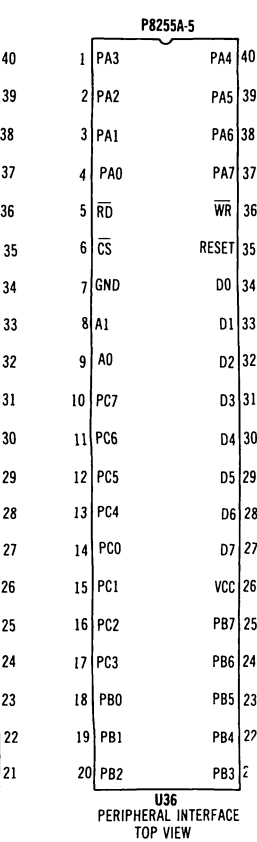
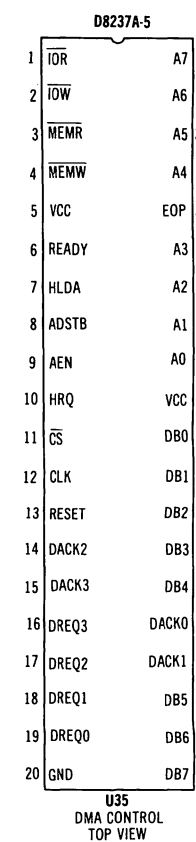
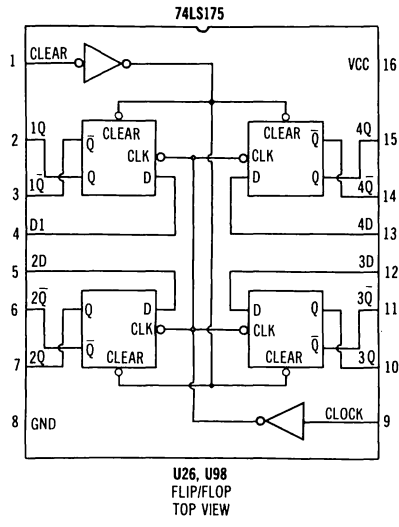
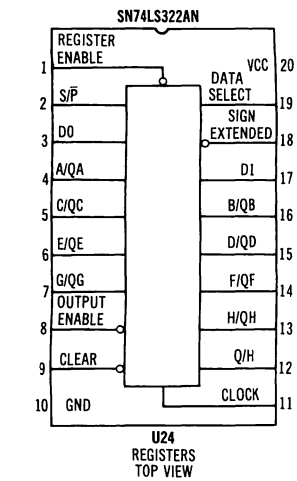
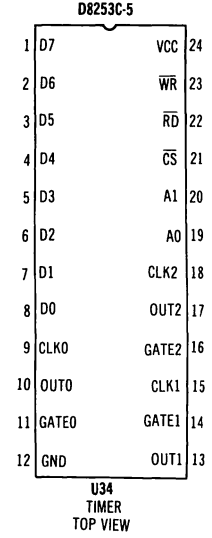
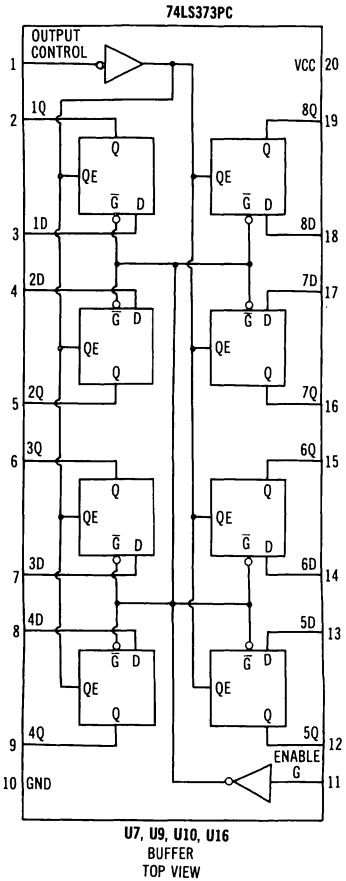
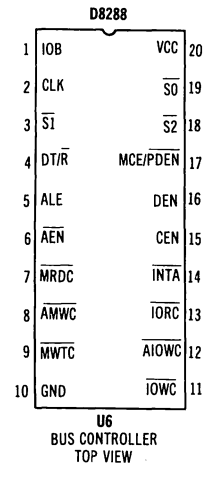
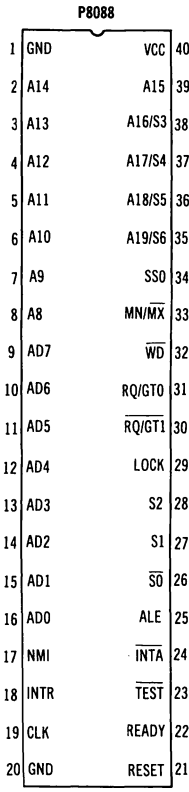
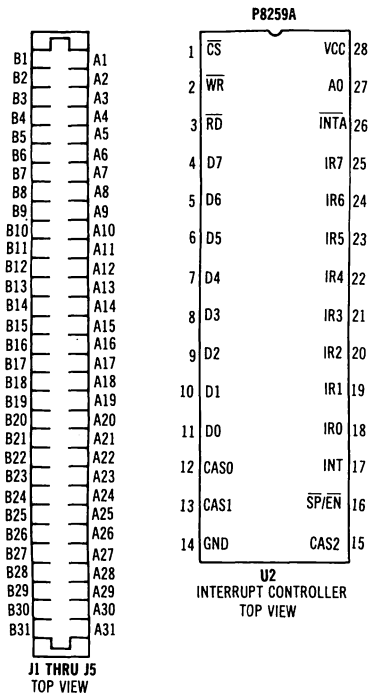
A PHOTOFACIT STANDARD NOTATION SCHEMATIC

WITH **CIRCUITRACE**

© Howard W. Sams & Co., Inc. 1984

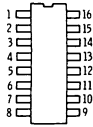
POWER SUPPLY



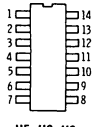


SYSTEM BOARD

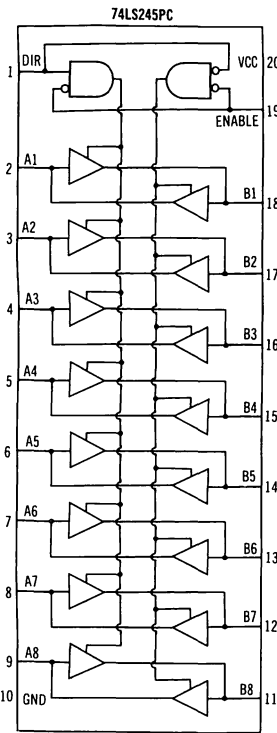
TERMINAL GUIDES



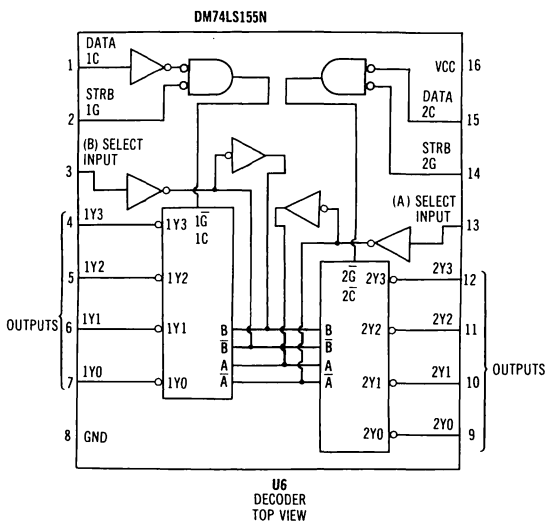
RP1/RP2
TOP VIEW



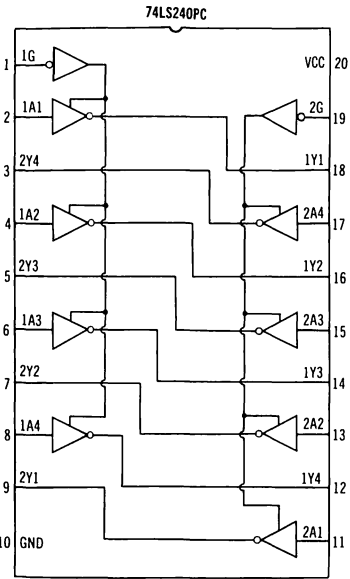
U5, U8, U9
U10, U11
TOP VIEW



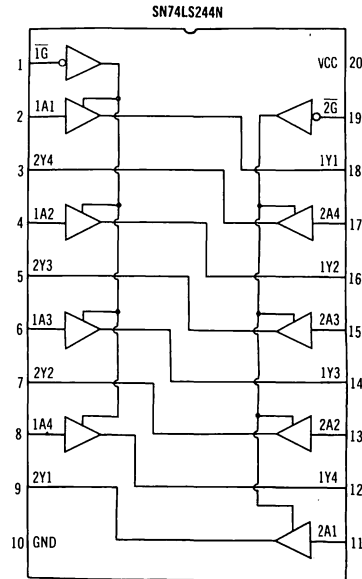
U1
TRANSCEIVER
TOP VIEW



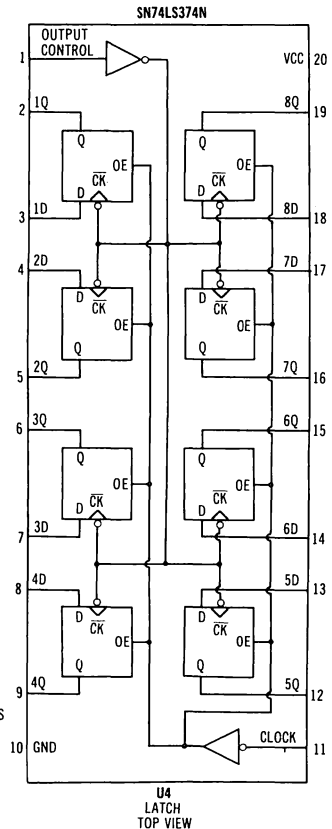
U6
DECODER
TOP VIEW



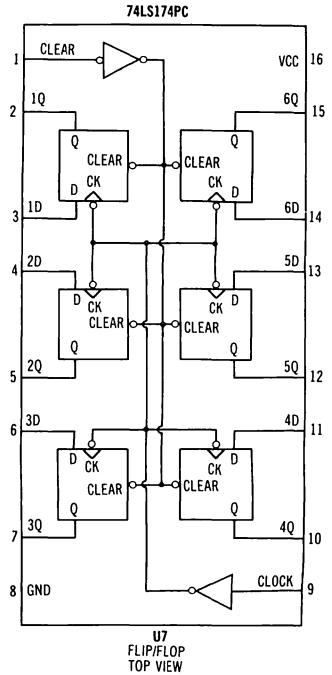
U2
LINE DRIVER
TOP VIEW



U3
BUFFER
TOP VIEW



U4
LATCH
TOP VIEW



U7
FLIP/FLOP
TOP VIEW

CSCS2
IBM
MODEL 5150

MISCELLANEOUS ADJUSTMENTS

POWER BOARD

B + ADJUSTMENT

NOTE: The Power Supply **must** be connected to the computer to make this adjustment. Connect a DC voltmeter to pin 8 of IC4. Adjust B+ Adjust Control (R32) for 5.00V.

SYSTEM BOARD

COLOR ADJUST

Connect the Input of a frequency counter to pin 12 of the Clock Generator IC (U11). Adjust the Color Adjust Trimmer (T1) for a frequency of 14.31818MHz.

GENERAL OPERATING INSTRUCTIONS

POWER ON TEST

A Power On test is automatically performed each time the Computer is turned On. Several diagnostic tests are performed and if a problem is detected, an error code will be momentarily displayed on the Monitor screen. For an explanation of the various error codes, see the "Computer Self-Test" section of the General Operating Instructions.

BOOT UP

Insert a bootable diskette into Disk Drive A and turn On the Computer. The Computer will automatically boot up using the diskette in Disk Drive A. If a PC DOS (Personal Computer Disk Operating System) diskette is used, the Computer will display the date and time and ask for a new date and time. After the date and time have been entered, the version of DOS will be displayed on the Monitor screen along with an A> which indicates the DOS is running.

PC DOS

For a list of file names on the diskette in the current Disk Drive, type DIR and press the ENTER key. To specify Disk Drive that is not current (default), use DIR A: for Disk Drive A or DIR B: for Disk Drive B.

To return to PC DOS from Basic, type SYSTEM and press the ENTER key.

To load a (System) program from a diskette while in DOS, type the program name and press the ENTER key.

A blank diskette must be formatted before it can be used to save information which is in memory. A formatted diskette must contain a DOS or a Start-up program before the Computer will boot up using that diskette.

Insert a diskette containing a "Format Program" into Disk Drive A. Type FORMAT and press the ENTER key. Follow the instructions on the Monitor screen to format the unformatted diskette. NOTE: Formatting a diskette will wipe out any programs previously placed on the diskette. The Computer automatically defaults to Disk Drive A if the destination Disk Drive is not specified. Be sure to specify the destination Disk Drive of the diskette to be formatted or the original diskette may be ruined by the default action.

BASIC

When turned On, the Computer will come up in Cassette (ROM) Basic if there is not a bootable DOS diskette in Disk

Drive A. The version of Basic and memory available will appear at the top of the screen. For additional information on Cassette I/O operations see the "Cassette Operation" section of the General Operating Instructions.

The manufacturer also supplies Disk Basic as well as Advanced Disk Basic on diskette. To load either Disk Basic, first boot up DOS. Insert a diskette with Disk Basic or Advanced Disk Basic program on it. Type BASIC and press the RETURN key to load disk Basic or type BASICA and press the ENTER key to load Advanced Disk Basic. To return to DOS from Basic, type SYSTEM and press the ENTER key.

To view a list and the names of programs on a diskette in the current Drive, type FILES and press the ENTER key. Type FILES "B: *.*" and press the ENTER key to list programs from Disk Drive B. Type FILES "A: *.*" to list programs from Disk Drive A if it is not the current (default) drive.

To load a program in Disk Basic or Advanced Disk Basic from the diskette, type LOAD, the program name enclosed in quotes, and press the ENTER key.

To save a program, type SAVE, the program name enclosed in quotes and press the ENTER key.

To run a program from any Basic mode, type RUN and press the ENTER key. To stop a program, press the CTRL and BREAK (SCROLL LOCK) keys at the same time. NOTE: Some programs will disable or not recognize the CTRL and BREAK keys to prevent the user stopping the program while it is running.

RESETTING COMPUTER

Press the CTRL, ALT, and DEL keys, all three at the same time, to reset the Computer.

CASSETTE OPERATION

To load a program from tape while in Cassette (ROM) Basic, type LOAD, the program name enclosed in quotes and press the ENTER key.

To save a program, type SAVE, the program name enclosed in quotes and press the ENTER key.

To load or save a program from and to tape while in any Disk Basic, type LOAD or SAVE. Then, enclosed in quotes, type CAS1: and the program name, and press the ENTER key. Example: SAVE "CAS1: program name"

GENERAL OPERATING INSTRUCTIONS (Continued)

COMPUTER SELF-TEST

The Computer performs a self-test every time it is turned On. If no problems are detected, the Computer will beep once and (if there is no diskette in the Disk Drive) come up in Cassette (ROM) Basic.

If a problem is detected various audio beeps may occur and/or an error code number may appear on the Monitor screen. Use the following charts to determine the area of the problem.

AUDIO

AREA OF PROBLEM

No beep or display.
Beeps continuously.
Repeated short beeps.
One long and one short beep
One long and two short beeps

Power Supply
Power Supply
System Board
System Board
Monochrome
Monitor/Printer Adapter
or Color Graphic
Monitor Adapter

One short beep and improper or blank display.

Monochrome
Monitor/Printer Adapter
or Color Graphic
Monitor Adapter

One short beep and Basic statement on Monitor screen, with bootable diskette in Disk Drive and door closed.

Disk Drive

ERROR CODE

02X
1XX
20X or XX20X or XXXX
30X or XX30X
4XX

5XX

6XX
7XX
9XX
11XX

12XX

13XX

14XX
15XX

17XX
18XX
20XX

21XX

AREA OF PROBLEM

Power Supply
System Board
Memory
Keyboard
Monochrome Monitor/
Printer Adapter
Color Graphic Monitor
Adapter
Disk Drive
Math Coprocessor
Printer Adapter
Asynchronous Com-
munication (RS232C)
Alternate Asynchronous
Communication
Game Controller
Adapter
Printer Adapter
Synchronous Data Link
Control (SDLC) Com-
munication Adapter
Hard (Fixed) Disk Drive
Expansion Unit
Binary Synchronous
Communications
(BSC) Adapter
Alternate BSC Adapter

X = Any number

NOTE: The device tested good if the last two digits of the error code are zeros.

CSCS2
IBM
MODEL 5150

DISASSEMBLY INSTRUCTIONS

MAIN SYSTEM UNIT

Remove five screws from rear of cabinet. Slide cabinet forward and remove from unit.

POWER SUPPLY REMOVAL

Disconnect Connectors P8 and P9 from System Board and connectors P10 and P11 from Disk Drives. Remove four screws from rear of the Power Supply cabinet. Push Power Supply forward about 1/2 inch to clear mounting tabs on cabinet bottom and lift Power Supply from unit.

DISK DRIVE REMOVAL

Disconnect two Disk Drive Adapter connectors, one from the rear of each Disk Drive. Disconnect Power Supply Connectors P10 and P11 from the rear of the Disk Drives. Remove two screws from the side of Disk Drive A and slide Disk Drive out the front of cabinet.

SYSTEM BOARD REMOVAL

Remove all Adapter boards from expansion slots. Disconnect Disk Drive connectors and Power Supply connectors from System Board. Disconnect speaker connectors. Remove two screws holding System Board to cabinet bottom. Slide System Board to the left to release plastic stand-offs from mounting slots on cabinet bottom. Lift system board from unit.

KEYBOARD

Lay Keyboard facedown and remove two screws holding lower case. Lift lower case up and out of front retaining slots. Keyboard assembly may now be removed from upper case. NOTE: **Do Not** attempt to disassemble Keyboard switch assembly. The key caps may be removed one at a time, by lifting up on the cap from the top of the Keyboard.

TROUBLESHOOTING

POWER SUPPLY

POWER SUPPLY (SHUTDOWN)

NOTE: Make sure the power is Off before disconnecting plugs and boards. The power supply has an automatic shutdown feature to shutdown the power supply whenever an overload or overvoltage condition occurs. All the source voltages will drop to 0V when shutdown occurs. To determine whether the System Board or a Disk Drive is causing the power supply to shutdown, or if the shutdown is caused by the power supply itself, disconnect Plugs P8 and P9, which go to the System Board, and Plugs P10 and P11, which go to the Disk Drives. Connect a 47 Ohm, 1 Watt, resistor between pins 2 and 4 of Plug P10. Apply power and check for 5V at pin 1, -12V at pin 4 and 12V at pin 3 of Plug P8. If the source voltages are not correct, the problem is in the power supply.

If the power supply is normal, remove power and plug in the System Board, Adapters and the Disk Drives. Plug in these boards one at a time, checking the source voltage after each is plugged in, to determine which board or Disk Drive is causing the shutdown.

The power supply also produces a PWR GOOD signal (5V) at pin 1 of Plug P1 which will go low if the source voltages drop too low for the computer to continue processing. The PWR GOOD signal disables the clock at pin 8 of the Clock-Generator IC (U11) when it goes low. If the PWR GOOD signal is low and the source voltages are normal, check the voltages and components associated with Power-Good Driver Transistors (Q3 and Q4). When shutdown occurs all the voltages on IC4, IC5 and IC6 will drop to 0V and the voltage at TP6 (pin 13 of IC1) will go up to about 1.00V. The waveform at TP5 (pin 8 of IC1) should stay the same in shutdown.

Use a scope to check for excessive AC ripple and noise at TP8, TP9, TP10 and TP11. If the ripple is excessive, check

the condition of the electrolytic filter capacitors.

POWER SUPPLY

Check the AC Fuse (F1). If the fuse is open, check for a short at cathode of Diode CR1. Also check the voltages, waveforms, and components associated with Oscillator IC (IC1), Oscillator Output Transistor (Q1) and Oscillator Driver Transistor (Q2).

Disconnect power supply plugs P8 and P9 from System Board. Check for 5V at pin 1 of Plug P8. If the 5V is missing, check the voltages and components associated with Power-Good Transistor (Q4).

Check for 12V at pin 3 of Plug P8. If the 12V is missing, check the voltages and components associated with Sense Amp Transistor (Q5), Reg Driver Transistor (Q6), and Reg Transistor (Q7).

Check for 15V at the cathode of Diode CR9 and check condition of Diode CR9.

Check for -12V at pin 4 of Plug P8. If the -12V is missing, check Diode CR11 and associated components.

Check for -5V at pin 3 of Plug P9. If the -5V is missing, check the voltages and components associated with pins 1 thru 3 of Reg IC (IC7).

Check for 5V at pins 4, 5, and 6 of Plug P9. If the 5V is missing, check the voltages and components associated with Transistor Q5. Check the adjustment of B+ Adjust (R32), see "Miscellaneous Adjustments". If the adjustment does not work, check the voltages and components associated with IC4, IC5 and IC6.

KEYBOARD TYPE 2

KEYBOARD

Keyboard does not function. Check the Keyboard Connector (J7) for good connections. If the connections are good, check the waveforms at pins 1 and 2 of Connector J7 while pressing the G key on the keyboard. If either waveform is missing, check for that same waveform at the cable plug connector on the keyboard. If the waveform is present, check the cable for open wires. If the waveform shown for pin 1 of Connector J7 is missing at the Keyboard Plug, check for the same waveform at pin 18 of Microcomputer IC (M1). If the waveform is present, check resistor R2 and check IC M2 by substitution. If the waveform shown for pin 2 of Connector J7 is missing at the Keyboard Plug, check for the same waveform at pin 17 of IC M1. If the waveform is present, check Resistor R3 and check IC M2 by substitution. When both waveforms are missing at IC M1, check the waveform at pin 11 of IC M1. If the waveform is missing, check Capacitor C6, Resistors R5 and R6 and check IC M3 by substitution. If the waveform is good, check the waveform at pin 2 of IC M1 and if missing, check Capacitors

C4 and C5, Coil L1 and check IC M1 by substitution. If the waveform is good, check IC M1 and IC Z1 by substitution.

If the waveforms at pins 1 and 2 of Connector J7 are good, check the waveform at pin 6 of Flip/Flop IC (U26) while pressing any key. If the waveform is missing, check the waveform at pin 9 of IC U26 and check for a high logic reading at pin 1 of IC U26. If the waveform is good and the logic reading is high, check IC U26 by substitution. If the waveform at pin 6 of IC U26 is good, check the waveform at pin 5 of Flip/Flop IC (U82) while pressing any key on the keyboard. If the waveform is missing, check IC U82 by substitution. If the waveform is normal, check the Keyboard Latch IC (U24) and the I/O Port IC (U36) by substitution.

A reset pulse is produced from pin 25 of IC U36 to reset pin 9 of Keyboard Latch IC (U24) after a key is read. Check for a pulse at pins 12 and 13 of IC U99 each time a key is pressed. If the pulse is missing at pin 13 of IC U99, replace IC U36. If the pulse is missing at pin 12 of IC U99, check IC U99 by substitution.

TROUBLESHOOTING (Continued)

SYSTEM BOARD

SYSTEM BOARD DIP SWITCHES

There are two DIP Switches (SW1 and SW2, 8 switches each) located on the System Board that must be set according to the number of 5 1/4" Disk Drives, type of Monitor Adapter (Monochrome Monitor/Printer or Color Graphic Monitor) used and the amount of RAM memory available. Use the following charts to determine the proper switch settings.

SW1	SW1	SW1
Number of 5 1/4" Drives	ON	OFF
0	1,7,8	
1	7,8	1
2	8	1,7

Math Coprocessor Installed	2	
Math Coprocessor Not Installed		2

RAM Memory Installed on System Board	SW1	SW2
64K - 256K System Board		3,4
16K - 64K System Board		
16K	3,4	
32K	4	3
48K	3	4
64K		3,4

Monitor Adapter Installed	SW1	SW2
None	5,6	
Monochrome Monitor/Printer Adapter		5,6
Color Graphics Monitor Adapter (40 x 25 Color)	6	5
Color Graphics Monitor Adapter (80 x 25 Color)	5	6

SW2

Note: Switches 6, 7 and 8 are always OFF.

16K - 64K System Board	SW2	SW2
16K to 64K (on Main Board)	ON	OFF
96K	1,2,3,4,5	
128K	2,3,4,5	1
160K	1,3,4,5	2
192K	3,4,5	1,2
224K	1,2,4,5	3
320K	2,4,5	1,3
352K	1,2,3,5	4
384K	2,3,5	1,4
416K	1,3,5	2,4
448K	3,5	1,2,4
480K	1,2,5	3,4
512K	2,5	1,3,4
544K	1,5	2,3,4
576K	5	1,2,3,4
608K	1,2,3,4	5
640K	2,3,4	1,5
	1,3,4	2,5

64K - 256K System Board

	SW2	SW2
	ON	OFF
64K	1,2,3,4,5	
128K	1,3,4,5	2
192K	1,2,4,5	3
256K	1,4,5	2,3
288K	4,5	1,2,3
320K	1,2,3,5	4
352K	2,3,5	1,4
384K	1,3,5	2,4
416K	3,5	1,2,4
448K	1,2,5	3,4
480K	2,5	1,3,4
512K	1,5	2,3,4
544K	5	1,2,3,4
576K	1,2,3,4	5
608K	2,3,4	1,5
640K	1,3,4	2,5

MICROPROCESSOR CHIP (CPU) OPERATION

Microprocessor IC (U3) does not appear to be functioning. Check for 5V at pin 40 of IC U3. If the 5V is missing, refer to the "Power Supply" section of this Troubleshooting guide. If the 5V source is normal, check the clock waveform at pin 9 of IC U99. If the waveform is missing, refer to the "Clock Generator" section of this Troubleshooting guide. If the waveform is good, turn off the computer and check pin 21 of IC U3 for a reset pulse of about .3 sec width when the computer is turned back on. If the reset pulse is missing, check the Clock Generator IC (U11) by substitution. If the reset pulse is good, check pin 18 of IC U3 for a low or pulse logic reading. If pin 18 stays high, check Interrupt Controller IC (U2) and IC U3 by substitution. If the reading on pin 18 is a low or pulse, check for a low reading on pin 17 of IC U3. If pin 17 reading is high, check the logic readings on pins 1 and 2 of IC U97. If the readings are good check IC U97 by substitution. Check for pulses on pins 2 thru 16 and 35 thru 39 of IC U3. If any of the pins are stuck in the high or low state, check IC U3 by substitution.

CLOCK GENERATOR

Check the frequency (14.31818MHz) at pin 12 of the Clock Generator IC (U11). If the frequency is off, adjust the Color Adjust Trimmer (T1) for the proper frequency. If the proper frequency cannot be obtained or the oscillator is not functioning, check for 5V at pin 18 of IC U11, Crystal (Y1), Trimmer (T1) and Resistors R13 and R14. Also, check IC U11 by substitution. Check for a high logic reading at pin 11 of IC U11. If the reading is low it will disable the clock signal at pin 5 of IC U11. If the reading is low, check the connection at pin 1 of Plug P1 and check Power-Good Driver Transistor (Q4) on the Power Supply Board. If the plug and transistor are good, the power supply may be in shutdown condition. Refer to the "Power Supply (Shutdown)" section of this Troubleshooting guide. Check the waveforms at pins 4, 5, 8 and 12 of IC U11. If any of the waveforms are missing, check IC U11 by substitution.

CSCS2
IBM
MODEL 5150

TROUBLESHOOTING (Continued)

SYSTEM BOARD (Continued)

ROM AND RAM

Except for the Basic Input Output System (BIOS) ROM IC (U33), the self-test (that is built into the computer) checks the RAM and ROMS automatically when the unit is turned On and momentarily displays an error code on the monitor screen if a defective IC is found.

When a RAM failure occurs, an alphanumeric code will be momentarily displayed at the top left corner of the monitor screen. This code will be four characters followed by 201. The number 201 indicates it is a memory failure. The first two characters indicate which bank has the bad IC. The third and fourth characters indicate which row in that bank is defective. The RAM bank that is soldered in is Bank 0. Use the following charts to find the defective IC.

First Two Characters

	16K/64K System Board	64K/256K System Board
Bank 0	00	00
Bank 1	04	10
Bank 2	08	20
Bank 3	0C	30

Third and Fourth Characters

Row	Parity	0	1	2	3	4	5	6	7
Characters	00	01	02	04	08	10	20	40	80

Example: 1020 201 would be bank 1 row 5, IC (U59) on the 64K/256K system board.

If the third and fourth characters do not match those given in the chart, substitute the entire nine ICs of that bank and recheck the memory. If an error code still appears, troubleshoot the RAM address decode and chip select circuits.

When a ROM failure occurs on the 64K/256K System Board a four character alphanumeric code will appear on the monitor screen. Use the following chart to determine which IC is indicated and check the IC by substitution.

ROM CODE CHART

CODE	DEVICE
F600	U29
F800	U30
FA00	U31
FC00	U32

ROM IC U33 is not checked since it contains the test program. If IC U33 does not appear to be functioning, check it by substitution. If IC U33 still does not function, check for pulses at pin 20 of IC U33. If the pulses are missing, check the logic probe readings on pins 1 thru 6 of Decoder IC (U46). If the readings are normal, check IC U46 by substitution.

CASSETTE OPERATION

The computer is not saving data to a cassette recorder or turning the cassette motor On and Off. Put the computer in Cassette (ROM) Basic mode, see the "Basic" section of the General Operating instructions. Type in and run the following Basic program:

```
10 SAVE "TEST": GOTO 10
```

This program will turn the cassette motor On, save itself on tape and repeat the procedure continuously.

If the data is not being saved on tape, check for pulses at pin 3 of IC U63. If the pulses are present, check the Relay K1, the connection at pin 5 of the Cassette Connector (J6), Capacitor C5 and Resistors R6 thru R9. If pulses are missing at pin 3 of IC U63, check for pulses at pin 1 of IC U63. If these pulses are missing, check IC U63 by substitution. If the pulses are missing at pin 1 of IC U63, check Timer IC (U34) by substitution.

If the computer will not read data from the cassette, connect a cassette recorder to the computer and make the following checks while loading a program from tape, see "Cassette Operation" section of the General Operating Instructions. Check for pulses at the cathode of Diode D1. If the pulses are present, check Peripheral Interface IC (U36) by substitution. If the pulses are missing, check the connection at pin 4 of the Cassette Connector (J6), Relay K1 and the voltages and components associated with IC U1 and check Diode D1.

If the cassette motor is not starting, check for a high logic reading at pin 2 of Peripheral Driver IC (U95). If the reading is high, check for a low logic reading at pin 3 of IC U95. If the reading is not low, check IC U95 by substitution. If the reading is low, check the Relay K1 and the connections at pins 1 and 2 of the Connector J6. If the reading at pin 2 of IC U95 does not read high, check for a low logic reading at pin 4 of IC U63. If the reading is low, check Resistor Network RN3 and check IC U63 by substitution. If the reading at pin 4 of U63 is not low, check IC U36 by substitution.

TROUBLESHOOTING (Continued)

SYSTEM BOARD (Continued)

INTERNAL SPEAKER

No sound from the speaker. Check the Speaker (SP1) and the Speaker Plug (P3) for a good connection. If the speaker and plug check normal, put the computer in Basic mode, see the "Basic" section of the General Operating Instructions. Type in and run the following Basic program to produce a continuous sound signal to the speaker.

```
10 SOUND 200, 200: GOTO 10
```

Check for pulses at pin 11 of IC U63. If the pulses are present, check Capacitor C9, Resistor R10 and check IC U95 by substitution. If the pulses are missing at pin 11 of IC U63, check for pulses at pin 13 of IC U63. If pulses are missing, check for a high logic reading at pin 16 of Timer IC (U34). If the reading is not high, replace Peripheral Interface IC (U36). If the reading is high, replace IC U34. If pulses are present at pin 13 of IC U63, check for a high logic reading at pin 12 of IC U63. If the reading is not high, check IC U36 by substitution. If the reading is high, check Resistor Network RN3 and check IC U63 by substitution.

PRINTER ADAPTER

PRINTER ADAPTER

Printer adapter is not functioning. Check the edge connector and the Printer Connector (P1) for good connections. Clean the contacts if they appear dirty. If the printer is still not functioning, type in and run the Basic program used to take the measurements on the Printer Adapter, see the Printer Adapter Schematic Notes. Check the waveform at pin 1 of Line Drivers IC (U2). If the waveform is missing or incorrect, check the waveforms at pins 1 and 15 of Decoder IC (U6). If the waveforms are normal, check IC U6 by substitution. If the waveforms are not correct, check IC U9, IC U5 and IC U11 by substitution. If the waveform at pin 1 of IC U2 is good, check for a high logic reading at pin 19 of IC U2. If the reading is not high check IC U6 by substitution. If the reading is high, check the logic probe readings on pins

12 and 13 of IC U8, pins 1 and 2 of IC U9, pins 1, 2, 3, 11 and 13 of IC U11 and pin 8 of IC U2. If any reading is incorrect, check the IC connected to that point by substitution. If the readings are normal, check for a high logic reading at pin 10 of IC U8. If the reading is not high, check for a high logic reading at pin 3 of IC U8. If the reading is high, check Capacitor C21 and check IC U8 by substitution. If the reading is not high, check Flip/Flop IC (U7) by substitution. Check for pulses at pins 1 and 2 of IC U8. If the pulses are present at pin 1 but missing at pin 2, check Resistor Network (RP1) and check IC U8 by substitution. If the pulses are missing at pin 1, check IC U7 by substitution.

Printer is functioning but not printing the correct characters. Check the Latch IC (U4) by substitution.

MONOCHROME MONITOR/PRINTER ADAPTER

PRINTER SECTION

Printer section of the Monochrome Monitor/Printer Adapter is not functioning. Check the edge connector and the Printer Connector (J4) for good connection and clean the contacts if they appear dirty. If the printer is still not functioning, type in and run the Basic program used to take measurements on the printer section of the adapter, see Monochrome Monitor/Printer Adapter Schematic Notes. Check the waveform at pin 1 of Bus Buffer IC (U37). If the waveform is missing or incorrect, check the waveforms at pins 1 and 15 of Decoder IC (U61). If the waveforms are normal, check IC U61 by substitution. If the waveforms are not correct check IC U57 and IC U62 by substitution. If the waveform at pin 1 of IC U37 is good, check for a high logic reading at pin 19 of IC U37. If the reading is not high check IC U61 by substitution. If the reading is high, check the logic probe readings on pins 5 and 6 of IC U38, pins 8 and 9 of IC U56, pins 10 and 11 of IC U44, pins 9 and 10 of IC U57 and pin 8 of IC U37. If any reading is incorrect, check the IC connected to that point by substitution. If the readings are normal, check for a high logic reading at pin 8 of IC U38. If the reading is not high, check for a high logic reading at pin

11 of IC U38. If the reading is high, check IC U38 by substitution. If the reading is not high, check Control Latch IC (U39) by substitution. Check for pulses at pins 1 and 2 of IC U38. If the pulses are present at pin 1 but missing at pin 2, check Resistor Network (RP1) and check IC U38 by substitution. If the pulses are missing at pin 1, check IC U39 by substitution.

If the printer is functioning but not printing the correct characters, check the Bus Buffer IC (U41) by substitution.

VIDEO RAM

The character codes for the characters which appear on the monitor screen are stored in RAM ICs (U12) thru (U14). The top half of the screen uses ICs U13 and U14 for storage while ICs U12 and U14 are used for the bottom half. If one or more locations in the top half of the screen always stays the same, check ICs U13 and U14 by substitution. If one or more locations in the bottom half of the screen always stays the same, check ICs U12 and U14 by substitution.

TROUBLESHOOTING (Continued)

MONOCHROME MONITOR/PRINTER ADAPTER (Continued)

VERTICAL SYNC

No vertical sync. Check the waveform at pin 9 of Output Buffer IC (U64). If the waveform is present, check pin 9 of Connector J3 for a good connection and also check the monitor cable for possible open circuits. If the waveform is missing, check the waveform at pin 11 of IC U64. If the waveform is normal, check IC U64 by substitution. If the waveform is missing, check the waveform at pin 1 of IC U54. If the waveform is normal, check IC U54 by substitution. If the waveform is missing, check the waveforms at pins 9 and 14 of Flip/Flop IC (U55). If the waveforms are normal, check IC U55 by substitution. If the waveform at pin 9 of IC U55 is missing, check IC U2 by substitution. If the waveform at pin 14 of IC U55 is missing, check CRT Controller IC (U35) by substitution.

Vertical sync is off frequency. Check pin 6 of Flip/Flop IC (U24) for proper frequency from the 16.257MHz Oscillator (OSC 1). If the oscillator is off frequency, check OSC 1 by substitution. If the OSC 1 is working properly, check the waveform at pin 21 of IC U35. If the waveform is normal, check IC U35 by substitution.

HORIZONTAL SYNC

No horizontal sync. Check the waveform at pin 5 of Output Buffer IC (U64). If the waveform is present, check pin 8 of Connector J3 for good connection and check the Monitor cable for a possible open circuit. If the waveform is missing, check the waveform at pin 13 of IC U64. If the waveform is normal, check IC U64 by substitution. If the waveform is bad, check the waveform at pin 5 of IC U3 and check for a high logic reading at pin 4 of IC U3. If the waveform is good and the logic reading is high, check IC U3 by substitution. If pin 4 of IC U3 logic reading is low, check Flip/Flop IC (U45) by substitution. If the waveform is missing at pin 5 of IC U3, check the waveform at pin 12 of Flip/Flop IC (U55). If the waveform is normal, check ICs U100 and U101 by substitution. If the waveform is missing, check the waveform at pin 13 of IC U55. If the waveform is good, check IC U55 by substitution. If the waveform is missing, check CRT Controller IC (U35) by substitution.

Horizontal sync is off frequency. Check the frequency of the 16.257MHz Oscillator (OSC 1) at pin 6 of Flip/Flop IC (U24). If OSC1 is off frequency, check OSC 1 by substitution. If OSC1 is working properly, check the waveform at pin 21 of IC U35. If the waveform is good, check IC U35 by substitution.

VIDEO

No video on the Monitor screen, check the waveforms at pins 5, 7 and 9 of Output Buffer IC (U64). If the waveforms are present, check pins 7, 8 and 9 of Connector J3 for good connection and check Resistor R1 and Capacitor C3. If the waveform is normal at pin 5 and missing at pin 7 (Horizontal Sync) or pin 9 (Vertical Sync) of IC U64, refer to the "Horizontal or Vertical Sync" section of this Troubleshooting guide. If the sync waveforms are normal and the waveform at pin 5 of IC U64 is missing, check the waveform at pin 13 of the Shift Register IC (U32). If the waveform is missing and the logic probe readings are normal for the rest of the pins of IC U32, check IC U32 by substitution. If the waveform is normal, check the waveform at pin 11 of IC U43. If the waveform is missing, check IC U43 by substitution. If the waveform is normal, check waveform at pin 8 of IC U26. If the waveform is missing and the logic readings on pins 9 and 11 of IC U26 are high, check IC U26 by substitution. If the waveform is normal, check the waveform at pin 8 of IC U43. If the waveform is missing, check IC U43 by substitution. If the waveform is normal, check the waveform at pin 6 of IC U54. If the waveform is missing, check IC U54 by substitution. If the waveform is normal, check the waveform at pin 5 of Flip/Flop IC (U101). If the waveform is missing and the waveforms at pins 1 and 3 of IC U101 are normal, check IC U101 by substitution. If the waveform at pin 5 of IC U101 is normal, check IC U64 by substitution.

If the waveforms at pins 5, 7 and 9 of IC U64 are missing, check the waveforms at pins 5, 11, 13 and 15 of IC U64. If the waveforms are normal, check IC U64, by substitution. If the waveforms are missing, check the waveform pin 6 of Flip/Flop IC (U24). If the waveform is missing, check the 16.257MHz Oscillator IC (OSC 1) by substitution. If the waveform is good, check the waveforms on pins 7 and 9 of IC U24. If either waveform is missing, while pin 2 of IC 24 has a low logic reading and the waveform on pin 10 of IC U24 is normal, check IC U24 by substitution. If all the waveforms are good on IC U24, check for pulses on pin 5 of Flip/Flop IC (U5). If the pulses are missing and the logic readings are good on pins 2, 3 and 15 of IC U5, check IC U5 by substitution. If the pulses are present, check for pulses at pin 13 of IC U57. If the pulses are missing, check IC U57 by substitution. If pulses are present, check for pulses at pin 8 of IC U2. If the pulses are missing, check IC U2 by substitution. If pulses are present, check the waveform at pin 18 of CRT Controller IC (U35). If the waveform is missing and the logic probe readings are normal at pins 2 and 22 thru 25 of IC U35, check IC U35 by substitution.

One or more characters do not come up properly on the Monitor screen and the character always look the same regardless of its location on the screen. Check the Character Generator IC (U33) by substitution.

If the characters are wrong only in one location on the Monitor screen, refer to the "Video RAM" section of this Troubleshooting Guide.

TROUBLESHOOTING (Continued)

MONOCHROME MONITOR/PRINTER ADAPTER (Continued)

CURSOR

Monitor screen comes up normally but the cursor is missing. Check for pulses at pin 19 of CRT Controller IC (U35). If the pulses are missing, check IC U35 by substitution. If pulses are present, check for pulses at pin 10 of Flip/Flop IC (U55). If the pulses are missing, check IC U55 by substitution. If pulses are present, check for pulses at pin 8 of IC U44. If the pulses are missing, check IC U44 by substitution. If pulses are present, check for pulses at pin 8 of IC U3. If pulses are missing, check the waveform at pin 9 of IC U3. If the waveform is missing, check Counter IC (U28) by substitution. If the waveform is normal, check IC U3 by substitution. If pulses are present at pin 8 of IC U3, check IC U43 by substitution.

Cursor is present but it is not blinking. Check the waveform at pin 13 of IC U28. If the waveform is missing, check IC U28 by substitution.

BLINK, HIGHLIGHT, UNDERLINE AND REVERSE VIDEO

The blink, highlight, underline and reverse video features for each character location on the Monitor screen are controlled by the information put into RAM ICs U8 thru U10. The blink feature for the top half (first 1024 characters) of the screen is controlled by IC U9 and the bottom half (last 976 characters) by IC U8. The highlight and underline features for the top half of the screen are controlled by IC U11 and the bottom half by IC U10. The reverse video feature for the top half of the screen is controlled by ICs U9 and U11 and the bottom half by ICs U8 and U10.

To check the blink, highlight and underline features, put the unit into Basic mode, see the "Basic" section of the General Operating Instructions. Type in and run the following Basic program. This program will fill the screen with underlined, highlighted characters which are blinking.

```
1 DEF SEG = &HB000
2 FOR X = 0 TO 4000 STEP 2
3 POKE X, 42: POKE X + 1, 137
4 NEXT X
5 GOTO 5
```

If one or more characters in the top half of the screen are not blinking, check IC U9 by substitution. If a character in the bottom half of the screen is not blinking, check IC U8 by substitution. If one or more characters in the top half of the screen are not highlighted or underlined, check IC U11 by substitution. If a character in the bottom half of the screen is not highlighted or underlined, check IC U10 by substitution.

If the blink feature is not operating and the cursor is not blinking, check the waveform at pin 13 of IC U28. If the waveform is missing, check Counter IC (U28) by substitution.

If the blink feature is not operating but the cursor is blinking, check for pulses at pin 11 of IC U8. If the pulses are missing, check ICs U8 and U9 by substitution. If pulses are present, check for pulses at pin 19 of Flip/Flop IC (U31). If the pulses are not present, check IC U31 by substitution. If the pulses are present, check for pulses at pin 18 of Flip/Flop IC (U30). If pulses are missing, check IC U30 by substitution. If pulses are present, check for a high logic reading at pin 4 of IC U62. If the reading is not high, check Flip/Flop IC (U58) by substitution. If the reading is high, check for pulses at pin 11 of IC U28. If pulses are missing, check IC U28 by substitution. If pulses are present, check IC U62 by substitution.

If the highlight feature is not operating, check for pulses at pin 11 of IC U10. If the pulses are missing, check ICs U10 and U11 by substitution. If the pulses are present, check for pulses at pin 9 of IC U31. If the pulses are missing, check IC U31 by substitution. If pulses are present, check for pulses at pin 9 of IC U30. If the pulses are missing, check IC U30 by substitution. If pulses are present, check for pulses at pin 12 of Multiplexer IC (U63). If the pulses are missing, check IC U63 by substitution. If pulses are present, check for pulses at pin 12 of Output Buffer IC (U64). If the pulses are missing, check IC U64 by substitution. If pulses are present, check Resistor R2 and check for a good connection at pin 6 of Connector J3.

If the underline feature is not operating, check for pulses at pin 14 of IC U10. If the pulses are missing, check ICs U10 and U11 by substitution. If pulses are present, check for pulses at pin 2 of IC U31. If the pulses are missing, check IC U31 by substitution. If pulses are present, check for pulses at pin 14 of Multiplexer IC (U49). If the pulses are missing, check IC U49 by substitution. If pulses are present, check for pulses at pin 11 of Multiplexer IC (U47). If the pulses are missing, check IC U47 by substitution. If pulses are present, check for pulses at pin 12 of IC U44. If the pulses are missing, check IC U44 by substitution. If pulses are present, check for pulses at pin 10 of Flip/Flop IC (U29). If the pulses are missing, check IC U29 by substitution. If pulses are present, check IC U43 by substitution.

To check the reverse video feature, change number 137 in line 3 of the Basic program to 112 and run the program. The Monitor screen will fill up with characters in reverse video. If one or more characters in the top half of the screen are not in reverse video, check ICs U9 and U11 by substitution. If one or more characters in the bottom half of the screen are not in reverse video, check ICs U8 and U10 by substitution. If the reverse video is not operating, check for pulses at pin 15 of IC U49. If the pulses are missing, check IC U49 by substitution. If pulses are present, check for pulses at pin 7 of Multiplexer IC (U48). If the pulses are missing, check IC U48 by substitution. If pulses are present, check for pulses at pin 13 of IC U27. If the pulses are missing, check IC U27 by substitution. If pulses are present, check for pulses at pin 7 of IC U29. If the pulses are missing, check IC U29 by substitution. If pulses are present, check IC U54 by substitution.

CSCS2

IBM
MODEL 5150

TROUBLESHOOTING (Continued)

COLOR GRAPHIC MONITOR ADAPTER

VIDEO RAM

RAM ICs (U50 thru U57) are used to store the information which appears on the Monitor screen. If one or more locations on the Monitor screen always stays the same, put the computer in Basic mode, see the "Basic" section of the General Operating Instructions. Type in and run the following program.

```
10 DEF SEG = &HB800
20 SCREEN 2
30 FOR X = 0 TO 16191
40 FOR Y = 1 TO 8
50 READ Z:POKE X,Z
60 IF PEEK(X) AND Z THEN 80
70 GOTO 150
80 POKE X,0
90 IF PEEK (X) AND Z THEN 150
100 NEXT Y
110 RESTORE
120 NEXT X
130 DATA 1,2,4,8,16,32,64,128
140 PRINT "MEMORY CHECKS GOOD":END
150 PRINT"IC U";58-Y;" MAY BE BAD"
160 GOTO 100
```

This program will detect any memory location which is stuck low (0V) or high (5V). If a bad memory location is found, the program will print the number of any possibly defective ICs on the Monitor screen and then continue with the test, which will take about 38 minutes to complete. If a printer is connected to the Computer, replace the word PRINT in line 150 with the word LPRINT to get a printout of any defective ICs.

VERTICAL SYNC

Vertical sync problems are observed on the Monitor connected to the RGB Video Jack (J2), while a Monitor connected to the composite Video Output Jack (J1(A)) functions properly. Check the waveform at pin 9 of Jack J2. If the waveform is normal, check the connection at pin 8 of J2. If the waveform is missing, check Capacitor C25 and check IC U67 by substitution.

No vertical sync at either Jack J2 or Jack J1(A). Check for pulses at pins 9 and 10 of IC U41. If pulses are present, check IC U41 by substitution. If the pulses are missing, check the waveform at pin 1 of Flip/Flop IC (U63). If the waveform is normal, check IC U63 by substitution. If the waveform is missing, check the waveform at pin 11 of Flip/Flop IC (U21). If the waveform is present, check IC U21 by substitution. If the waveform is missing, check CRT Control by substitution.

Vertical sync is good at Jack J2, but there is no vertical or horizontal sync at Jack J1(A). Check the waveform at pin 2 of Status Register IC (U24). If the waveform is normal, check Resistor R5 and check IC U24 by substitution. If the waveform is missing, check for pulses at pin 13 of IC U20. If pulses are normal, check IC U20 by substitution. If the pulses are missing, check IC U42 by substitution.

HORIZONTAL SYNC

Horizontal sync problems are observed on a monitor connected to the RGB Video Jack (J2) while a Monitor connected to the composite Video Output Jack (J1(A)) is normal. Check the waveform at pin 8 of Jack J2. If the waveform is normal, check the connection at pin 8 of Jack J2. If the waveform is missing, check Capacitor C24 and also check IC U67 by substitution.

No horizontal sync at either Jack J2 or Jack J1(A). Check for horizontal pulses at pin 9 of IC U42. If the horizontal pulses are present and the logic reading is low at pin 10 of IC U42, check IC U42 by substitution. If the horizontal pulses are missing, check the waveforms at pins 8 and 9 of Flip/Flop IC (U64). If the waveforms are normal, check IC U64 by substitution. If the waveform at pin 9 of IC U64 is missing, check the waveform at pin 6 of Flip/Flop IC (U21). If the waveform is good, check IC U21 by substitution. If the waveform is missing, check CRT Control IC (U38) by substitution.

Horizontal sync is normal at Jack J2, but there is no horizontal or vertical sync at Jack J1(A). Check the waveform at pin 2 of Status Register IC (U24). If the waveform is normal, check Resistor R5 and check IC U24 by substitution. If the waveform is missing, check for pulses at pin 13 of IC U20. If pulses are present, check IC U20 by substitution. If the pulses are missing, check IC U42 by substitution.

COLOR

No color on a Monitor when connected to the RGB Video Jack (J2) but Monitor operates correctly when connected to the composite Video Jack (J1(A)). Check the 3.58MHz waveform at pin 12 of Timing Generator IC (U5). If the waveform is missing, check IC U5 by substitution. If the waveform is good, put the Computer in Basic mode, see the "Basic" section of the General Operating Instructions. Type SCREEN 1 and press the RETURN key. Check for a high logic reading at pins 1 and 10 of Flip/Flop IC (U44) and pin 10 of Flip/Flop IC (U43). If the readings are all low check for a low logic reading at pin 7 of Mode Control IC (U40). If the reading is not low, check ICs U16 and U40 by substitution. If the reading is low, check the waveforms at pins 9 and 10 of Composite Color Generator IC (U45). If the waveforms are missing, check IC U68 by substitution. If the waveforms are normal, check IC U45 by substitution.

If there is no color on a Monitor connected either to Jack J2 or Jack J1(A), check Color Encoder ICs (U9 and U10) and IC U101 by substitution.

TROUBLESHOOTING (Continued)

COLOR GRAPHIC MONITOR ADAPTER (Continued)

VIDEO

No video on the Monitor connected to the composite Video Output Jack (J1(A)), but the Monitor connected to the RGB Video Jack (J2) functions. Check the waveform at the base of Composite Color Out (Q1). If the waveform is normal, check Transistor Q1, Resistors R1 and R4 and the connections at Jack J1(A). If the waveform is missing, check the waveform at pin 8 of Status Register IC (U24). If the waveform is normal, check Resistor R8 and check IC U24 by substitution. If the waveform is missing, check the waveforms at pins 1, 2, 3, 9, 10, 13, 14 and 15 of Composite Color Generator IC (U45). If the waveforms are good, check IC U45 by substitution. If the waveform at pin 9 or 10 of IC U45 is missing and the logic reading is low at pin 2 of IC U68, check IC U68 by substitution. If the waveforms at pins 1 and 15 or 2 and 14 of IC U45 are missing and the logic reading is high at pin 1 of Flip/Flop IC (U44), check IC U44 by substitution. If the waveform at pins 3 and 13 of IC U45 is missing and the logic reading is high at pin 10 of Flip/Flop IC (U43), check IC U43 by substitution.

No video on the monitor connected to Jack J2, but the Monitor connected to Jack J1(A) operates. Check the connections at pins 3, 4 and 5 of Jack J2. Check Capacitors C20, C21 and C22 and check IC U67 by substitution.

No video from either Jack J1(A) or Jack J2. Verify that the 14MHz Divider ICs (U4 and U5) are functioning properly by checking the waveforms at pins 2, 5, 7, 10, 12 and 15 of ICs U4 and U5. To verify the CRT Controller IC (U38) is functioning properly, check the logic readings on all the pins as well as the waveforms on pins 16, 18, 21, 39 and 40. Verify that the Video RAM Address Latches ICs (U58 thru U61) are functioning by checking the logic probe readings on all the pins of ICs U58 thru U61.

One or more characters fail to come up properly on the Monitor screen and the character always looks the same regardless of its location. Check the Prom (Character Generator) IC (U33) by substitution. If the characters are wrong only in one location on the Monitor screen, refer to the "Video RAM" section of this Troubleshooting guide.

CURSOR

Monitor screen comes up normally, but the cursor is missing. Check for pulses at pin 19 of CRT Control IC (U38). If the pulses are missing, check IC U38 by substitution. If pulses are present, check for pulses at pin 2 of IC U20. If the pulses are missing, check IC U20 by substitution. If pulses are present, check for pulses at pin 12 of Flip/Flop IC (U21). If the pulses are missing and the waveform at pin 9 of IC U21 is normal, check IC U21 by substitution.

If the cursor is visible but not blinking, check for pulses at pin 6 of Flip/Flop IC (U12). If the pulses are missing, check IC U12 by substitution.

BLINK AND HIGHLIGHT

If the blink and highlight feature does not operate at one or more locations on the Monitor screen, see the "Video RAM" section of this Troubleshooting guide.

If the blink features does not operate, put the computer in Basic mode, see the "Basic" section of the General Operating Instructions. Type in and run the following Basic program which fills the screen with blinking, highlighted characters.

```
1 DEF SEG = &HB800
2 FOR X = 0 TO 4000 STEP 2
3 POKE X,42: POKE X + 1, 143
4 NEXT X
5 GOTO 5
```

Check for a high logic reading at pin 15 of Mode Control IC (U40). If the reading is not correct, check IC U40 by substitution. If the reading is normal, check for the waveform shown in Figure 1 at pin 2 of Data Latches IC (U35). If the waveform is missing, check U35 by substitution.



Figure 1

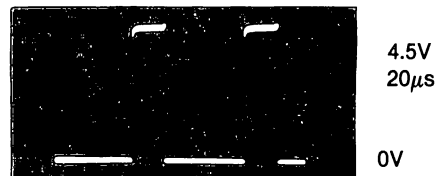


Figure 2

If the waveform is normal, check the waveform shown in Figure 2 at pin 8 of IC U28. If the waveform is missing and the logic reading is high at pin 9 of IC U28, check IC U28 by substitution. If the waveform is normal, check the waveform at pin 3 of IC U14. The waveform should look like Figure 2 and be blinking On and Off. If the waveform is missing and the waveform on pin 2 of IC U14 is normal, check IC U14 by substitution. If the waveform on pin 2 of IC U14 is missing, check Flip/Flop IC (U12) by substitution. If the waveform at pin 3 of IC U14 is good, check IC U13 by substitution.

If the highlight feature is not operating, type in and run the above Basic program and check for the waveform shown in Figure 1 at pin 12 of IC U35. If the waveform is missing, check IC U35 by substitution. If the waveform is good, check for pulses at pin 9 of Color Encoder IC (U10). If pulses are missing, check IC U10 by substitution. If pulses are present, check for pulses at pin 10 of Flip/Flop IC (U101). If pulses are missing, check IC U101 by substitution. If pulses are present, check Resistor R7 and check Status Register IC (U24) by substitution, if the Monitor is connected to the composite Video Output Jack (J(A)) and does not have the highlight feature. Check Capacitor C23 and check IC U67 by substitution if the Monitor is connected to the RGB Video Jack (J2) and does not have the highlight feature.

TROUBLESHOOTING (Continued)

DISK DRIVES AND ADAPTER

TEST SETUP

Connect a Disk Drive known to be operating properly to the Computer as Disk Drive A. Connect the defective Disk Drive as Disk Drive B. Use Disk Drive A to load any alignment or test program needed to check the defective Disk Drive.

WARNING: It is possible for a defective Disk Drive to write on or erase information on a diskette, even if the diskette is write protected. Check the Disk Drive by first using a diskette that has programs that have been backed up on another diskette. Do not leave the alignment diskette in the drive while checking voltages and waveforms unless specified in the alignment procedures. The test equipment may cause the Disk Drive circuits to erase sections of the alignment diskette even if the diskette is write protected.

DIRECT OPERATION OF DISK DRIVE

The following Basic program will make Disk Drive B run continuously in the read mode with HEAD 0 On. To make Disk Drive A run continuously, in line number 80 change the number 37 (2nd number) to number 20.

```
10 DEF SEG = 0
20 DEF USR = 40000
30 FOR X = 40000 TO 40007
40 READ Y
50 POKE X, Y
60 NEXT X
70 A = USR(0)
80 DATA 176,37,186,242,3,238,235,253
```

DISK DRIVE WILL NOT RUN

Check for 12V at pin 1 of Jack J2 and 5V at pin 4 of Jack J2. If either voltage is missing, check the connector and cable at Jack J2 for good connection. If the voltages are normal, type in and run the Basic program given in the "Direct Operation of Disk Drive" section of this Troubleshooting guide. Check for a low logic reading at pin 16 of Jack J1. If the reading is not low, check for a low logic reading at pin 8 of IC U16 on the Disk Drive Adapter. If the reading is low, check the Disk Drive cable and Connectors P2 and J1. If the reading is not low, check for a high logic reading at pin 9 of IC U16. If the reading is high, check IC U16 by substitution. If the reading at pin 16 of Jack J1 is low, check for a low logic reading at pin 2 of IC 3E. If the reading is not low, check IC 3E by substitution. If the reading is low, check the voltages, waveforms and components associated with Motor Drive Transistors (Q1A and Q2A) and Frequency to Voltage Converter IC (U1) on the Servo Board and check Drive Motor (M2).

HEAD CLEANING

Use a non-abrasive cleaning diskette to clean the heads. If the Disk Drive is a single sided drive, use a single sided cleaning diskette to avoid damaging the head pad.

DISK INDEX DETECTOR

Check for pulses at pin 2 of IC 2E on the Disk Drive Board while the Disk Drive is running with a diskette inserted and door closed. If the pulses are missing, check for pulses at pin 1 of IC 2E. If the pulses are present, check IC 2E by substitution. If the pulses are missing, use a scope to check for .75V peak to peak pulses at the base of Switch Transistor (Q8). If the correct pulses are present, check Transistor Q8, Capacitor C9 and Resistors R44 and R45. If the correct pulses are missing, check the Index Detector Diode (CR26), Amp Transistor (Q11) and the connections at Plug P10.

If pulses are present at pin 2 of IC 2E, check for pulses at pin 3 of IC 1F. If the pulses are missing and pin 2 of IC 1F reads a logic high, check IC 1F by substitution. If pulses are present, check for pulses at pin 2 of Driver IC (U18) on the Disk Drive Adapter. If the pulses are missing, check the cables and connectors going to the Disk Drive Adapter. If pulses are present, check for pulses at pin 18 of IC U18. If the pulses are missing, check IC U18 by substitution. If pulses are present, check Control IC (U6) by substitution.

HEAD POSITION MOTOR

Head Position Motor (M1) is not operating properly. Check the resistance readings (73 ohms) on each motor winding and check Plug P12 for good connections. Use a Disk Drive test program which will step the head back and forth or connect the Disk Drive to a Disk Drive Tester that can step the head. Use a test mode that will step the head back and forth continuously and check for pulses at pins 2, 3, 5, and 6 of IC 4D and IC 4E. If the pulses are present at pins 2 and 6 of IC 4D and missing at pins 3 and 5, check IC 4D by substitution and check Diodes CR18 and CR19. If the pulses are present at pins 2 and 6 of IC 4E and missing at pins 3 and 5, check IC 4E by substitution and check Diodes CR20 and CR21. If the pulses are missing at pins 2 and 6 of ICs 4D and 4E, check for pulses at pins 2, 3, 11 and 12 of Flip/Flop IC (4C). If pulses are present and pin 1 of IC 4C reads a logic high, check IC 4C by substitution.

If the pulses are missing at pin 3 of IC 4C, check the logic probe readings on pins 1, 2, 4 and 5 of IC 4B. If the readings are correct, check IC 4B by substitution. If the pulses are missing at pin 5 of IC 4B, check for pulses at pin 11 of IC 2E. If pulses are present, check IC 2E by substitution. If the pulses are missing, check the connectors and cables going to the Disk Drive Adapter. Check for pulses at pin 9 of IC U9 on the Disk Drive Adapter. If pulses are present, check IC U9 by substitution. If the pulses are missing, check for pulses at pins 9 and 10 of IC U4. If pulses are present, check IC U4 by substitution. If the pulses are missing, check Control IC (U6) by substitution.

TROUBLESHOOTING (Continued)

DISK DRIVES AND ADAPTER (Continued)

WILL NOT READ

Type in and run the program given in the "Direct Operation of Disk Drive" section of this Troubleshooting guide to make the Disk Drive run continuously in the read mode. To verify that the Disk Drive is operating in the read mode, check for a low logic reading at pin 10 of IC 2B.

If the reading at pin 10 of IC 2B is not low, check for a high logic reading at pin 11 of IC 2B. If the reading is high, check IC 2B by substitution. If the reading is not high, check for a low logic reading at pin 13 of IC 3B. If the reading is low and the logic reading is high at pins 9, 10 and 12 of IC 3B, check IC 3B by substitution. If pin 13 of IC 3B does not read low, check for a high logic reading at pin 13 of IC 3D. If the reading is high, check IC 3D by substitution. If the reading is not high, check the cable and connectors going to the Disk Drive Adapter. If the cables and connectors are normal, check for a low logic reading at pin 15 of Driver IC (U7). If the reading is low, check IC U7 by substitution. If the reading is not low, check Control IC (U6) by substitution.

If the reading at pin 10 of IC 2B is low put a diskette into the Disk Drive and close the Disk Drive door. The diskette should be filled with programs to insure that the head will continually read information. Check the waveforms at pins 1 and 14 of Diff Amp IC (4A). If the waveforms are missing, check the voltages and components associated with pins 1, 4, 5, 7, 8, 10, 11 and 14 of Diff Amp IC (3A). Check Diodes CR2, CR3, CR11 and CR12 and the resistance of the heads. A problem in the head switching circuit, Switch Transistors (Q6 and Q8), may affect the read circuits. If the problem appears to be in the head switching circuit, see the "Disk Drive Will Not Switch Sides" section of this Troubleshooting guide. If the waveforms are good at pins 1 and 14 of IC 4A, check the waveforms at pins 2 and 3 of IC 5B. If the waveforms are missing, check the voltages and components associated with pins 4, 5, 7, 8, 10 and 11 of IC 4A. If the waveforms are normal, check the waveform at pin 7 of IC 5B while opening and closing the Disk Drive door. A noticeable shift in the waveform pulses should occur. If no change occurs, check IC 5B by substitution.

NOTE: The waveforms shown at pin 12 of IC 5D and pin 4 of Multivibrator IC (5E) should be present even when the disk drive is not running. If the waveforms are missing, check Capacitor C11 and Resistor R22 and check Multivibrator IC (5C) and ICs 5D and 5E by substitution. If the waveforms are normal, check the waveform at pin 5 of IC 5E. If the waveform is missing and there are pulses at pin 10 of IC 5E, check Capacitors C12 and Resistor R24 and check IC 5E by substitution. If the waveform is present, check for pulses at pin 8 of IC (1F). If the pulses are missing and the logic reading is high at pin 10 of IC 1F, check IC 1F by substitution. If pulses are present, check the cables and connectors going to the Disk Drive Adapter. Check for pulses at pin 12 of Driver IC (U18). If the cable and connectors are good but the pulses are missing at pin 12 of IC U18, check IC U18 by substitution.

WILL NOT WRITE

Verify that the write protect circuit is functioning properly by inserting a diskette that is not write protected into the Disk Drive and check for a high logic reading at pin 10 of IC (3B). If the reading is not high, see the "Write Protect Does Not Function" section of this Troubleshooting guide.

If the write protect circuit is functioning, type and run the Basic program given in the "Erase Head" section of this Troubleshooting guide. Check for pulses at pin 8 of IC 3B. If the pulses are missing, check for pulses at pin 13 of IC 3B and check for high logic readings at pins 9 and 12 of IC 3B. If the readings are correct, check IC 3B by substitution. If the pulses are missing at pin 13 of IC 3B, check for pulses at pin 13 of IC 3D. If pulses are normal, check IC 3D by substitution. If the pulses are missing, check the cable and connectors J1 and P2 which go to the Disk Drive Adapter. Also check for pulses at pin 15 of Driver IC (U7) on the Disk Drive Adapter. If the cable and connectors check normal and the pulses are present, check IC U7 by substitution. If the pulses are missing, check IC U6 by substitution.

If pulses are present at pin 8 of IC 3B, check for pulses at pin 4 of IC 2B. If the pulses are missing, check IC 2B by substitution. If pulses are present, check for pulses at the collector of Switch Transistor (Q3). If the pulses are missing, check the voltages and components associated with Write Amp Transistors (Q1 and Q2) and Transistor Q3. If pulses are normal, check for pulses at pin 12 of IC 2E. If the pulses are missing, check IC 2E by substitution. If pulses are present, check for pulses at pin 6 of IC 2E. If the pulses are missing, check for pulses at pin 5 of IC 2E. If pulses are present, check IC 2E by substitution. If the pulses are missing, check the cables and connectors of J1 and P2 which go to the Disk Drive Adapter. Check for pulses at pin 1 of IC U9 on the Disk Drive Adapter.

If the cable and connectors check normal and pulses are present at pin 1 of IC U9, check IC U9 by substitution. If the pulses are missing, check for pulses at pin 30 of Control IC (U6). If pulses are present, check Flip/Flop IC (U11) by substitution. If the pulses are missing, check IC U6 by substitution.

If pulses are present at pin 6 of IC 2E, check for pulses at pins 8 and 9 of Flip/Flop IC (5C). If the pulses are missing, check IC 5C by substitution. If pulses are present, check for pulses at pins 6 and 8 of IC 2B. If the pulses are missing, check IC 2B by substitution. If pulses are normal, check the waveforms at the collectors of Transistors Q1 and Q2. If the waveforms are missing, check the voltages and components associated with Transistors Q1 and Q2. Check the connections at Plugs P5 and P6. Check the resistances of the heads and operation of the Switch Transistors (Q6 and Q7), see the "Disk Drive Will Not Switch Sides" section of this Troubleshooting guide.

TROUBLESHOOTING (Continued)

DISK DRIVES AND ADAPTER (Continued)

ERASE HEAD

Verify that the erase heads are not open by checking the erase head resistance at pins 2 to 4 of Plug J3 for HEAD 1 and pins 5 to 7 of Plug J3 for HEAD 0. Type and run the following program.

```
10 OPEN "B:SAMS.DAT" FOR OUTPUT AS #1
20 FOR X = 1 TO 300
30 PRINT #1,"THIS IS A TEST"
40 NEXT X
50 CLOSE #1
60 GOTO 10
```

With the program running, check for pulses at pin 5 of IC 2C. If pulses are present, check Diodes CR5 and CR10 and Resistor R58. NOTE: If the write protect or side select circuits are not working properly they may affect the operation of the eraser head circuit. See the "Write Protect Does Not Function" and "Disk Drive Will Not Switch Sides" sections of this Troubleshooting guide, if the erase head circuits seem to be operating normally.

If the pulses are missing at pin 5 of IC 2C, check for pulses at pin 6 of IC 2C. If pulses are present, check IC 2C by substitution. If the pulses are missing, check for pulses at pins 1 and 2 of IC 3B. If pulses are present and pins 4 and 5 of IC 3B read a logic high, check IC 3B by substitution. If the pulses are missing, check for pulses at pin 9 of Flip/Flop IC (3C). If pulses are normal, check Capacitors C15 and C16, Resistor R54 and R55 and check IC 3C by substitution. If the pulses are missing, check for pulses at pin 13 of IC 3B. If pulses are present and pins 9, 10 and 12 of IC 3B read a logic high, check IC 3B by substitution. If the pulses are missing, check for pulses at pin 24 of Jack J1. If pulses are present, check IC 3D by substitution. If the pulses are missing, check the connectors and cables connecting the Disk Drive to the Disk Drive Adapter. If the connectors and cables are good, check for pulses at pin 15 of Driver IC (U7) on the Disk Drive Adapter. If pulses are present, check IC U7 by substitution. If the pulses are missing, check Control IC (U6) by substitution.

WRITE PROTECT DOES NOT FUNCTION

If a write protected diskette is being written on, insert a write protected diskette into the Disk Drive, close the door, and check for a low logic reading at pin 10 of IC 3B on the Disk Drive Board. If the reading is low, check IC 3B by

substitution. If the reading is not low, check for a high logic reading at pin 11 of IC 3D. If the reading is high, check IC 3D by substitution. If the reading is not high, check the Write Protect Switch (SW1) and the connections at Plug P8 and Resistor R64.

If the error message "the diskette is write protected" is displayed on the Monitor screen when the diskette being used is not write protected, use the Basic program given in the "Direct Operation of Disk Drive" section of this Troubleshooting guide to keep the Disk Drive running continuously. Insert a diskette that is not write protected into the drive, close the door and check for a high logic reading at pin 6 of IC 1F. If the reading is not high and pin 4 of IC 1F reads low and pin 5 of IC 1F reads high, check IC 1F by substitution. If the reading on pin 4 of IC 1F is incorrect, check the Write Protect Switch (SW1) and the connections at Plug P8. If the logic reading at pin 6 of IC 1F is high, check the cables and connectors going to the Disk Drive Adapter. Check for a low logic reading at pin 16 of Driver IC (U18) on the Disk Drive Adapter. If the reading is not low, check IC U18 by substitution. If the reading is low, check Control IC (U6) by substitution.

DISK DRIVE WILL NOT SWITCH SIDES

NOTE: The diskette used in the Disk Drive must be one that was formatted for double sided use. To verify that the Disk Drive is switching sides, type in and run the Basic program given in the "Erase Head" section of this Troubleshooting guide. Check for pulses at pins 2 and 7 of Jack J3 on the Disk Drive Board. If the pulses are missing, check for pulses at pin 2 of IC 2B and pin 12 of IC 3E. If pulses are present at ICs 2B and 3E, check the voltages and components associated with Switch Transistors (Q6 and Q7). If the pulses are missing at pin 2 of IC 2B, check for pulses at pin 1 of IC 2B. If pulses are present, check IC 2B by substitution. If the pulses are missing at pin 12 of IC 3E and present at pin 13 of IC 3E, check IC 3E by substitution. If the pulses are missing at pin 13 of IC 3E, check for pulses at pin 32 of Jack J1. If pulses are present, check IC 2E by substitution. If the pulses are missing, check for pulses at pin 32 of Plug P2 on the Disk Drive Adapter. If pulses are present, check the cable and connectors. If the pulses are missing, check for pulses at pin 12 of IC U9. If pulses are present, check IC U9 by substitution. If the pulses are missing, check for pulses at pin 27 of Control IC (U6). If pulses are present, check IC U4 by substitution. If pulses are missing, check IC U6 by substitution.

SYSTEM BOARD GridTrace LOCATION GUIDE

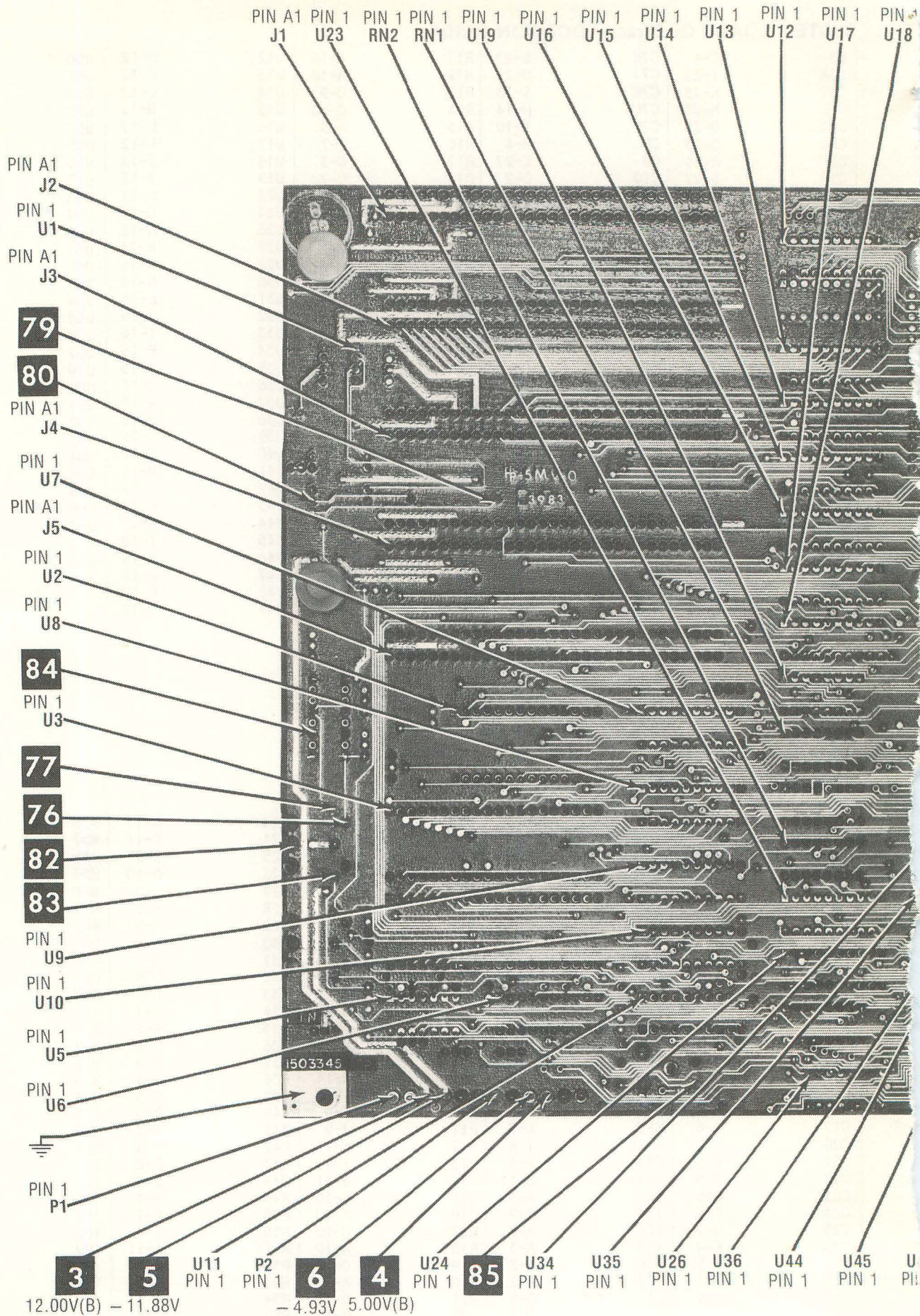
C3	C-4	C7H	S-23	R11	A-16	U12	P-12	U50	C-19
C3A	I-25	C7J	S-21	R12	A-16	U13	P-12	U51	B-19
C3B	K-25	C7K	S-18	R13	C-9	U14	O-12	U52	A-19
C3C	M-25	C7L	M-14	R14	C-10	U15	N-12	U53	R-21
C3D	Q-25	C7M	I-10	R15	A-9	U16	L-12	U54	P-12
C3E	Q-25	C8	M-4	R16	B-7	U17	K-12	U55	O-21
C3F	R-25	C9	E-27	R17	C-3	U18	J-12	U56	N-21
C3G	S-27	C10	D-2	R18	C-7	U19	I-12	U57	M-21
C3H	R-22	C10A	E-2	R19	C-5	U23	E-11	U58	L-21
C3J	R-20	C10C	C-3	R20	N-10	U24	C-12	U59	K-21
C3K	I-22	D1	N-1	R21	C-10	U26	A-12	U60	J-21
C3L	P-22	J1	S-3	R22	A-7	U27	N-14	U61	J-21
C3M	N-22	J2	Q-3	R23	H-27	U29	O-16	U62	H-21
C3N	L-22	J3	O-3	R25	B-8	U30	N-16	U63	G-21
C3P	J-22	J4	L-4	RN1	H-12	U31	L-16	U64	F-21
C3Q	I-20	J5	J-3	RN2	F-12	U32	J-16	U65	D-21
C3R	K-20	J6	F-1	RN3	A-21	U33	I-16	U66	C-21
C3S	M-20	J7	D-1	RN4	H-23	U34	F-16	U67	B-21
C3T	O-20	K1	I-1	SW1	G-12	U35	D-15	U79	G-23
C3U	J-14	P1	A-3	SW2	B-11	U36	B-15	U80	F-23
C3V	H-13	P2	A-6	T1	A-8	U37	R-19	U81	D-23
C3W	O-27	P3A	Q-27	TD1	E-26	U38	P-19	U82	C-23
C3X	L-27	P4	I-27	TD2	A-17	U39	O-19	U83	B-23
C3Y	J-27	R1	N-1	U1	P-2	U40	N-19	U84	A-23
C5	M-27	R2	N-2	U2	H-5	U41	M-19	U94	H-26
C7	B-1	R3	N-2	U3	F-5	U42	L-19	U95	G-25
C7A	B-3	R4	M-2	U5	C-4	U43	K-19	U96	D-26
C7B	B-4	R5	M-2	U6	B-6	U44	J-19	U97	C-26
C7C	B-5	R6	F-27	U7	H-9	U45	I-19	U98	B-26
C7D	A-16	R7	G-27	U8	G-9	U46	H-19	U99	A-26
C7E	B-27	R8	G-27	U9	E-9	U47	G-19	X1	A-10
C7F	I-27	R9	F-27	U10	D-9	U48	F-19		
C7G	S-25	R10	G-27	U11	B-9	U49	E-19		

CSCS2

IBM
MODEL 5150

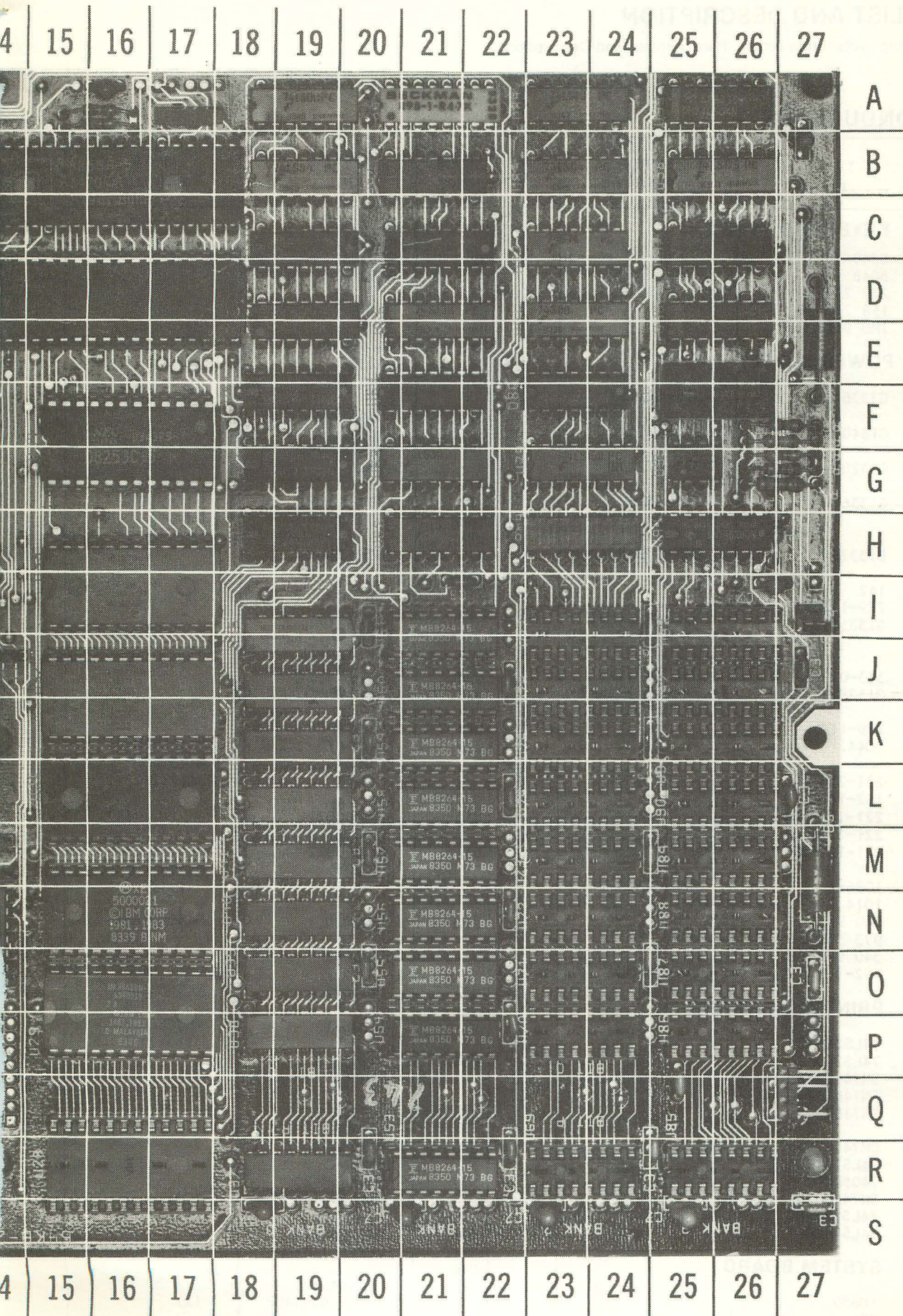
POWER BOARD GridTrace LOCATION GUIDE

C1	F-14	C31	H-1	P/J5	E-8	R23	D-11	R56	A-4
C2	D-13	C32	G-4	Q1	G-10	R24	F-11	R57	B-4
C3	H-13	C33	F-3	Q2	J-12	R25	D-9	R58	B-1
C4	H-9	C34	E-4	Q3	C-5	R26	D-10	R59	B-1
C5	I-9	C35	G-2	Q4	C-3	R27	A-9	R60	B-1
C6	I-13	C36	G-3	Q5	C-1	R28	B-7	R61	C-8
C7	F-11	C38	F-7	Q6	E-2	R29	A-8	R62	D-8
C8	D-10	C41	F-8	Q7	D-2	R30	A-5	R63	C-4
C9	A-10	C43	C-9	R1	E-15	R31	D-7	R64	C-4
C10	E-12	C44	C-9	R2	G-11	R32	D-6	R66	G-14
C11	C-11	CR1	B-14	R3	G-12	R33	C-7	R67	G-14
C12	D-12	CR2	B-14	R4	G-12	R34	B-7	R69	B-13
C13	F-12	CR3	F-8	R5	H-14	R35	B-6	R70	A-12
C14	A-11	CR4	H-10	R6	H-14	R36	D-4	R71	A-11
C15	I-11	CR5	H-9	R7	H-14	R37	C-5	R72	B-11
C16	C-6	CR6	E-9	R8	G-14	R38	C-4	R73	B-11
C17	C-7	CR7	A-10	R9	I-13	R39	C-5	R74	B-11
C18	B-6	CR8	C-7	R10	F-9	R40	B-5	R75	C-11
C19	A-6	CR9	E-8	R11	J-9	R41	F-2	R76	I-3
C20	G-2	CR10	I-4	R12	H-11	R42	F-3	R77	H-3
C21	E-5	CR11	I-5	R13	I-14	R43	E-2	T1	I-10
C22	D-5	IC1	E-11	R14	G-11	R44	E-1	T2	I-7
C23	E-6	IC2	A-9	R15	F-10	R45	A-4	TP5	C-10
C24	F-6	IC3	B-9	R16	F-10	R49	E-7	TP6	F-11
C25	J-9	IC4	A-7	R17	C-10	R50	I-4	TP8	C-1
C26	F-4	IC5	A-3	R18	A-10	R51	I-11	TP9	H-1
C27	I-5	IC6	A-2	R19	C-10	R52	B-5	TP10	D-3
C28	F-1	IC7	I-2	R20	A-5	R53	B-5	TP11	I-3
C29	F-4	L1	G-5	R21	D-11	R54	A-3		
C30	G-1	P/J3	D-15	R22	D-11	R55	C-6		



SYSTEM BOARD

A Howard W. Sams **CIRCUITRACE®** Photo



C/SCS2
 IBM
 MODEL 5150

A Howard W. Sams **GRIDTRACE™** Photo **SYSTEM BOARD**

PARTS LIST AND DESCRIPTION

When ordering parts, state Model, Part Number, and Description

SEMICONDUCTORS

ITEM No.	TYPE No.	MFGR. PART No.	ITEM No.	TYPE No.	MFGR. PART No.
KEYBOARD TYPE 2					
M1	8340X7 8048		U1	MC1741CP	
M2	239 2122SH		U2	MC1741 P8259A 8259A	
M3	158 2606BP		U3	P8088	(3)
Z1	IMB 9314 ESD		U4	8087	(3)
POWER SUPPLY			U5	SN74LS30N	
CR1	G1336	315-6G1336 (1)	U6	D8288	
CR2	G1340	315-6G1340 (1)	U7	74LS373PC	
CR3	G1328B	344-07G1328B (1)	U8	SN74LS245N	
CR4	G1336C	287G1336C (1)	U9,10	74LS373PC	
CR5	G13370	347-03G13370 (1)	U11	UPB8284AD 8284A	
CR6,7	142		U12	SN74LS245N	
CR8	279-13335		U14		
CR9	G1333B	345-02G1333B (1)	U15	SN74LS244N	
CR10	343-02	735 339(1)	U17		
CR11	G1328B	344-02G1328B (1)	U18	74LS373PC	
CR12	279-11 (C44)		U19	74LS670PC	
IC1	221-233		U23	SN74LS244N	
IC2,3	162-18-0		U24	SN74LS322AN	
IC4	221-129A-01		U26	74LS175PC	
IC5,6	221-121B-01		U27	74LS02PC	
IC7	221-192-01		U29	5000017 5700019	MK36A68N-4 MK36748N (1)(2)
Q1	1086-1	584342(1)	U30	XE5000021 5700027	(1) (2)
Q2	1014		U31	XE5000022 5700035	MK36905N-4 (1)(2)
Q3	340 975		U32	5000023	MK36A71N-4 (1)
Q4	973 339			5700043	(2)
Q5,6	340 975		U33	1501476	MK36C35N-4 (1)
Q7	992-1	548342(1)		5700671	MK36887N-4 (1)(2)
PRINTER ADAPTER			U34	D8253C-5 8253-5	
U1	74LS245PC		U35	D8237A-5 D8237AS	
U2	74LS240PC		U36	P8255A-5 8255A-5	
U3	SN74LS244N		U37	MK4564N-20 MK4116J-44GP	(2)
U4	SN74LS374N		U38	MK4564N-15	
U5	SN74LS30N		thru	MK4116J-44GP	(2)
U6	DM74LS155N		U40		
U7	74LS174PC		U41	MK4564N-20 MK4116J-44GP	(2)
U8	7405PC				
U9	SN74LS02N				
U10	74LS125APC				
U11	74LS86PC				
SYSTEM BOARD					
D1	1N659 FC				(2)

PARTS LIST AND DESCRIPTION (Continued)

When ordering parts, state Model, Part Number, and Description

SEMICONDUCTORS (cont)

ITEM No.	TYPE No.	MFGR. PART No.
SYSTEM BOARD (Continued)		
U42	MK4564N-15 MK4116J-44GP	(2)
U43	MK4564N-20 MK4116J-44GP	(2)
U44	MK4564N-15 MK4116J-44GP	(2)
U45	MK4564N-20 MK4116J-44GP	(2)
U46 thru U48	SN74LS138N	
U49 U50 U51 U52 U53 thru U61	DM74S08N SN74LS02N 74LS04PC 74LS00PC MK4564N-20 MK4116N-44GP	(2)
U62 U63 U64	74LS158PC 74LS38PC SN74LS20N	

ITEM No.	TYPE No.	MFGR. PART No.
U65 U66 U67	74S138PC SN74LS138N DM74LS74AN	
U69 thru U77 U79 U80 U81	MK4116N-44GP 74LS158PC SN74LS125AN 74S00PC	(2)
U82 U83 U84 U85 thru U93 U94	74S74PC 74LS04PC 74LS10PC MK4116N-44GP SN74S280N	(2)
U95 U96 U97 U98 U99	2979DRAEB 75477 DM74LS74AN DM74S08N 74LS175PC DM74LS04N	

- (1) Number on unit.
 - (2) Used in 16K/64K System Board.
 - (3) IBM Part Number 8529147 includes U3 and U4.
- Part Numbers obtained from the IBM
Hardware Maintenance and Service Manual
(Part Number 6025072)
Courtesy of IBM

CSCS2
IBM
MODEL 5150

ELECTROLYTIC CAPACITORS

Item numbers not listed are normally available at local distributors.

ITEM No.	RATING	MFGR. PART No.
KEYBOARD TYPE 2		
C1	56 6V 10%	
C6	22 15 10%	
C7	56 6V 10%	
PRINTER ADAPTER		
C1	10 16V 10% (1)	
C5	10 16V 10%	
C7	10 16V 10%	
C8	10 16V 10%	

ITEM No.	RATING	MFGR. PART No.
SYSTEM BOARD		
C7	10 16V 10% (1)	
C7A	10 16V 10% (1)	
C7B	10 16V 10% (1)	
C7C	10 16V 10% (1)	
C7D	10 16V 10% (1)	
C7E	10 16V 10% (1)	
C7F	10 16V 10% (1)	
C7G	10 16V 10% (1)	
C7H	10 16V 10% (1)	
C7J	10 16V 10% (1)	
C7K	10 16V 10% (1)	
C7L	10 16V 10% (1)	
C7M	10 16V 10% (1)	

(1) 8.2 may be used in some versions.

PARTS LIST AND DESCRIPTION (Continued)

When ordering parts, state Model, Part Number, and Description

CAPACITORS

Item numbers not listed are normally available at local distributors.

ITEM No.	RATING	MFGR. PART No.
AC INPUT BOARD		
C1	.1 125VAC	
C2	.1 125VAC	

ITEM No.	RATING	MFGR. PART No.
KEYBOARD TYPE 2		
C2	50 300V 2%	
C4	20.7	814 037 A341(1)
C5	20.7	814 037 A341(1)
SYSTEM BOARD		
T1	5-30 Trimmer	

(1) Number on unit.

CONTROLS (All wattages 1/2 watt, or less, unless listed)

ITEM NO.	FUNCTION	RESISTANCE	MFGR. PART NO.	NOTES
R32	POWER BOARD B+ Adjust	1800		

RESISTORS (Power and Special)

ITEM No.	RATING	REPLACEMENT DATA	
		MFGR. PART No.	NOTES
POWER BOARD			
R1	2 5% 5W WW	63-10442-31(2)	
R9	100K 5% 5W WW		
R20	13.7K 1% 1/4W Carbon Film		
R21	21K 1% 1/4W Carbon Film		
R30	16.2K 1% 1/4W Carbon Film		
R39	25.5K 1% 1/4W Metal Oxide		
R40	13.7K 1% 1/4W Carbon Film		
R41	392 1% 1/4W Carbon Film		
R42	432 1% 1/4W Carbon Film		
R52	13.7K 1% 1/4W Carbon Film		
R53	17.8K 1% 1/4W Carbon Film		
R54	14K 1% 1/4W Carbon Film		
R56	17.4K 1% 1/4W Carbon Film		
R57	100K 1% 1/4W Carbon Film		
R58	41.2K 1% 1/4W Carbon Film		
R59	17.4K 1% 1/4W Carbon Film		
R60	14.7K 1% 1/4W Carbon Film		
R63	66.5K 1% 1/4W Carbon Film		
R64	18.7K 1% 1/4W Metal Oxide		

PARTS LIST AND DESCRIPTION (Continued)

When ordering parts, state Model, Part Number, and Description

RESISTORS (Power and Special)(cont)

ITEM No.	RATING	REPLACEMENT DATA	
		MFGR. PART No.	NOTES
RP1 RP2	PRINTER ADAPTER Resistor Network (1) Resistor Network (4)	898-1-R4.7K(2) 316B300(2) Q5500303(2)	
RN1 RN2	SYSTEM BOARD Resistor Network (1) Resistor Network (3)	898-1-R4.7K(2) 316A822(2) Q55820008(2)	
RN3 RN4	Resistor Network (1) Resistor Network (4)	898-1-R4.7K(2) 316B300(2) Q5500303(2)	

- (1) Contains fifteen 4700.
- (2) Number on unit.
- (3) Contains fifteen 8200.
- (4) Contains eight 30.

COILS (RF-IF)

ITEM No.	FUNCTION	MFGR. PART No.
L1 L2 L3	AC INPUT BOARD AC Line Choke RF Choke RF Choke	

ITEM No.	FUNCTION	MFGR. PART No.
L1	KEYBOARD TYPE 2 Peaking (47uH)	
L1	POWER BOARD RF Choke	

IBM
MODEL 5150

COILS & TRANSFORMERS (Sweep Circuits)

ITEM No.	FUNCTION	REPLACEMENT DATA		
		MFGR. PART No.	OTHER IDENTIFICATION	NOTES
T1 T2	POWER BOARD Oscillator Pulse		95-3560(1) 95-3555(1)	

- (1) Number on unit.

PARTS LIST AND DESCRIPTION (Continued)

When ordering parts, state Model, Part Number, and Description

FUSE DEVICES

ITEM NO.	DESCRIPTION	MFGR. PART NO.		NOTES
		DEVICE	HOLDER	
F1	AC INPUT BOARD 2A @ 250V Slow Blow			

SPEAKER

ITEM No.	TYPE	REPLACEMENT DATA		NOTES
		MFGR. PART No.	QUAM PART No.	
SP	2" PM 8 Ohms	8529143		

Part Numbers obtained from the IBM
Hardware Maintenance and Service Manual
(Part Number 6025072)
Courtesy of IBM

MISCELLANEOUS

ITEM No.	PART NAME	MFGR. PART No.	NOTES
	CHASSIS		
M1	Motor		Fan
P1	Power Cord	8529158	AC
S1	Switch		Power
	Power Supply	8529155	
	Adapter	8529150	Asynchronous Communications
	Adapter	8529296	Binary Synchronous Communications
	Adapter	8529151	Game Control
	Adapter	8529149	Printer
	Adapter	8529295	Synchronous Data Link Control Communications
	Module	8529142	16K Memory
	Module	8529211	64K Memory
	Option	8529144	32K Memory Expansion
	Option	8529145	64K Memory Expansion
	Option	8529212	64K/256K Memory Expansion (Without 64K Memory Modules)
	System Board	8529205	16K - 64K CPU
	System Board	8529238	16K - 64K CPU (With 64K Installed)
	System Board	8654213	64K - 256K CPU
	KEYBOARD TYPE 2		
	Keyboard		Capacitive Matrix
	SYSTEM BOARD		
K1	Relay		Cassette Data In
SW1	Switch		
SW2	Switch		RAM Select
TD1	Time Delay		
TD2	Time Delay		
X1	Crystal		14.31818MHz

Part Numbers obtained from the IBM
Hardware Maintenance and Service Manual
(Part Number 6025072)
Courtesy of IBM

PARTS LIST AND DESCRIPTION (Continued)

When ordering parts, state Model, Part Number, and Description

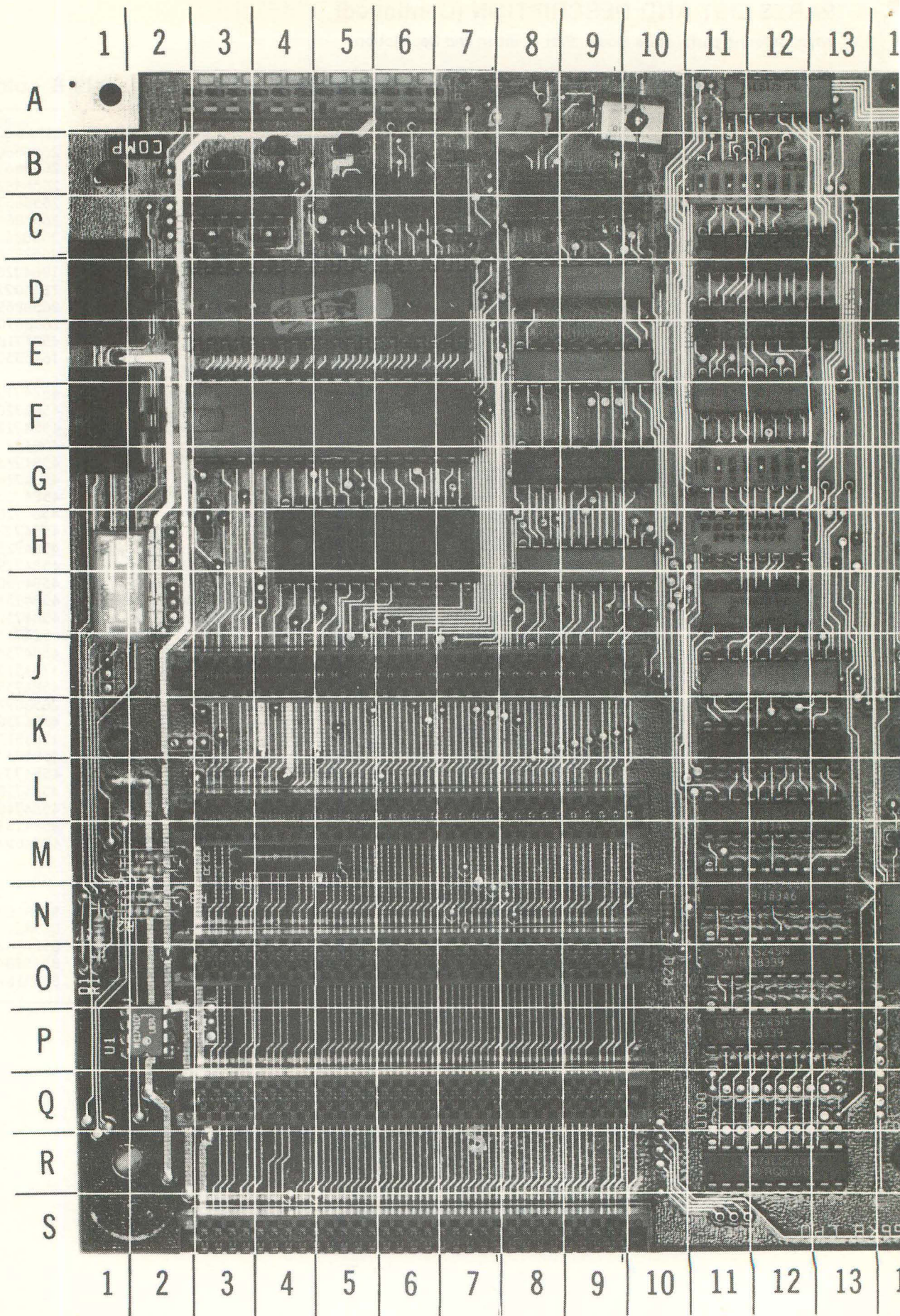
CABINET & CABINET PARTS (When ordering specify model, chassis & color)

ITEM	PART No.
KEYBOARD TYPE 2	
Cover Assembly (Top)	8529170
Base Assembly (Bottom)	8529169
Keyboard Assembly	8529166
Adjustable Foot	8529157
Key Button- Esc	4584714
Key Button- !/1	1761460
Key Button- @/2	1642308
Key Button- #/3	1642309
Key Button- \$/4	1642342
Key Button- %/5	1642343
Key Button- ^/6	4496183
Key Button- &/7	2658824
Key Button- */8	2658825
Key Button- (/9	2658826
Key Button- /0	2658827
Key Button- -/+	1761515
Key Button- +/=	2658829
Key Button- ←	1643315
Key Button- ← →	1643316
Key Button- Q	2658832
Key Button- W	2658833
Key Button- E	2658834
Key Button- R	2658835
Key Button- T	2658836
Key Button- Y	2658837
Key Button- U	2658838
Key Button- I	2658839
Key Button- O	2658840
Key Button- P	2658841
Key Button- {/	4585286
Key Button- }/	4585288
Key Button- ←	5184235
Key Button- CTRL	4584717
Key Button- A	2658846
Key Button- S	2658847
Key Button- D	2658848
Key Button- F	2658849
Key Button- G	2658850
Key Button- H	2658851
Key Button- J	2658852
Key Button- K	2658853
Key Button- L	2658854
Key Button- ;/	2658855
Key Button- "/	4584779
Key Button- ~/`	1642306
Key Button- ↑	2658858
Key Button- ↓/↵	5997221

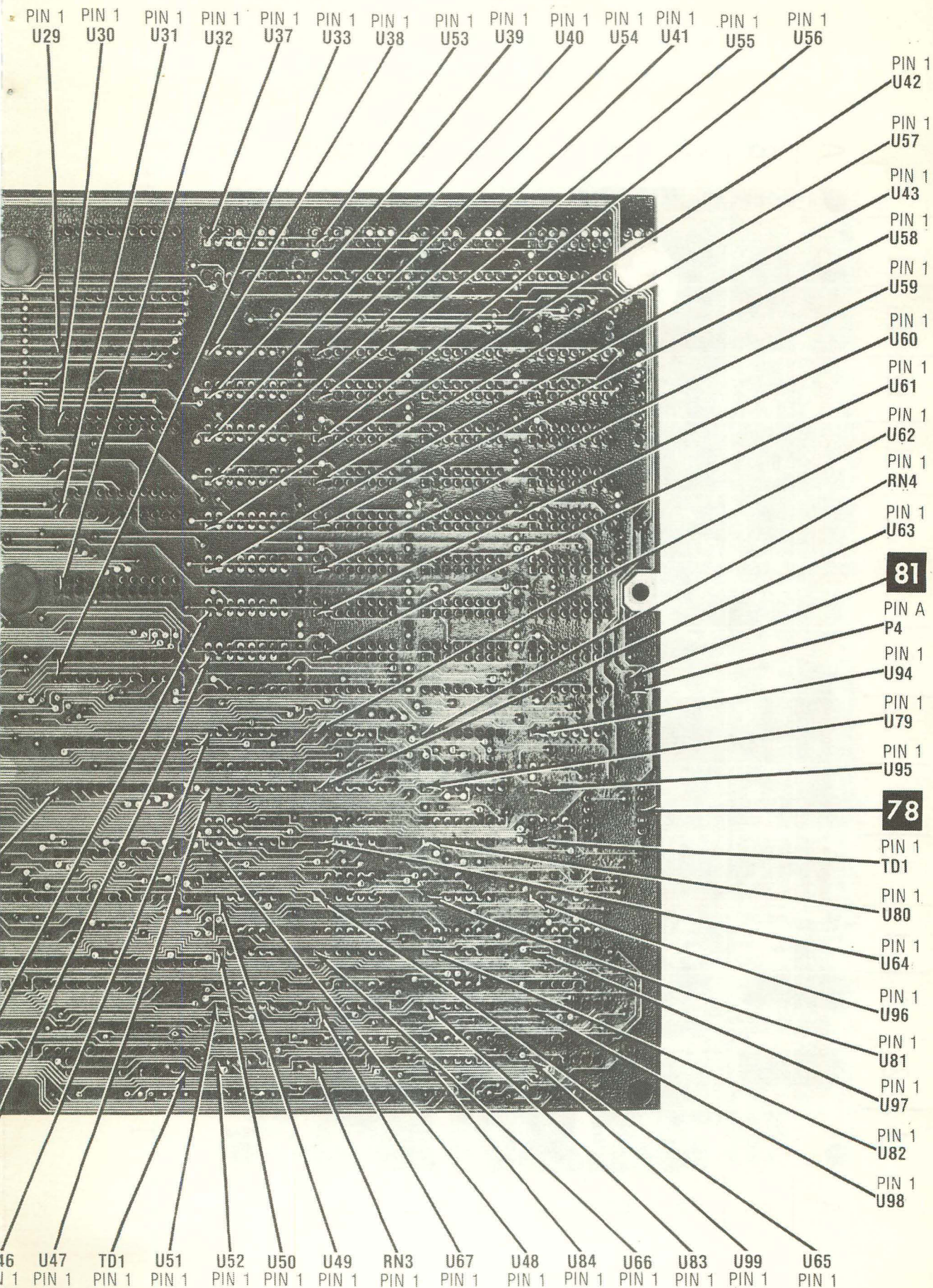
ITEM	PART No.
Key Button- Z	2658860
Key Button- X	2658861
Key Button- C	2658862
Key Button- V	2658863
Key Button- B	2658864
Key Button- N	2658865
Key Button- M	2658866
Key Button- <./	1864026
Key Button- >./	1864027
Key Button- ?/	2658869
Key Button- ↑	2658870
Key Button- PrtSc	4584718
Key Button- Alt	1643330
Key Button- SPACE BAR	
Key Button- Caps Lock	4584719
Key Button- F1	4584720
Key Button- F2	4584721
Key Button- F3	4584722
Key Button- F4	4584723
Key Button- F5	4584724
Key Button- F6	4584725
Key Button- F7	4584726
Key Button- F8	4584727
Key Button- F9	4584728
Key Button- F10	4584729
Key Button- Num Lock	4584730
Key Button- Scroll Lock	4584731
Key Button- 7/Home	4584732
Key Button- 8/↑	4584733
Key Button- 9/Pg Up	4584734
Key Button- -	1761511
Key Button- 4/←	4584735
Key Button- 5	2658892
Key Button- 6/→	4584736
Key Button- +	1761513
Key Button- 1/End	4584737
Key Button- 2/↓	4584739
Key Button- 3/Pg Dn	4584738
Key Button- 0/Ins	4584740
Key Button- /Del	4584741
Key Buttons- Complete Set	4584657
SYSTEM UNIT	
Bezel Assembly	8529163
Top Cover (No Bezel)	8654209
Cover Assembly	8529162
Disk Cover Plate	8529204
Base Assembly	8529161

IBM
MODEL 5150

Key Button Identification and
Part Numbers obtained from the IBM
Hardware Maintenance and Service Manual
(Part Number 6025072)
Courtesy of IBM

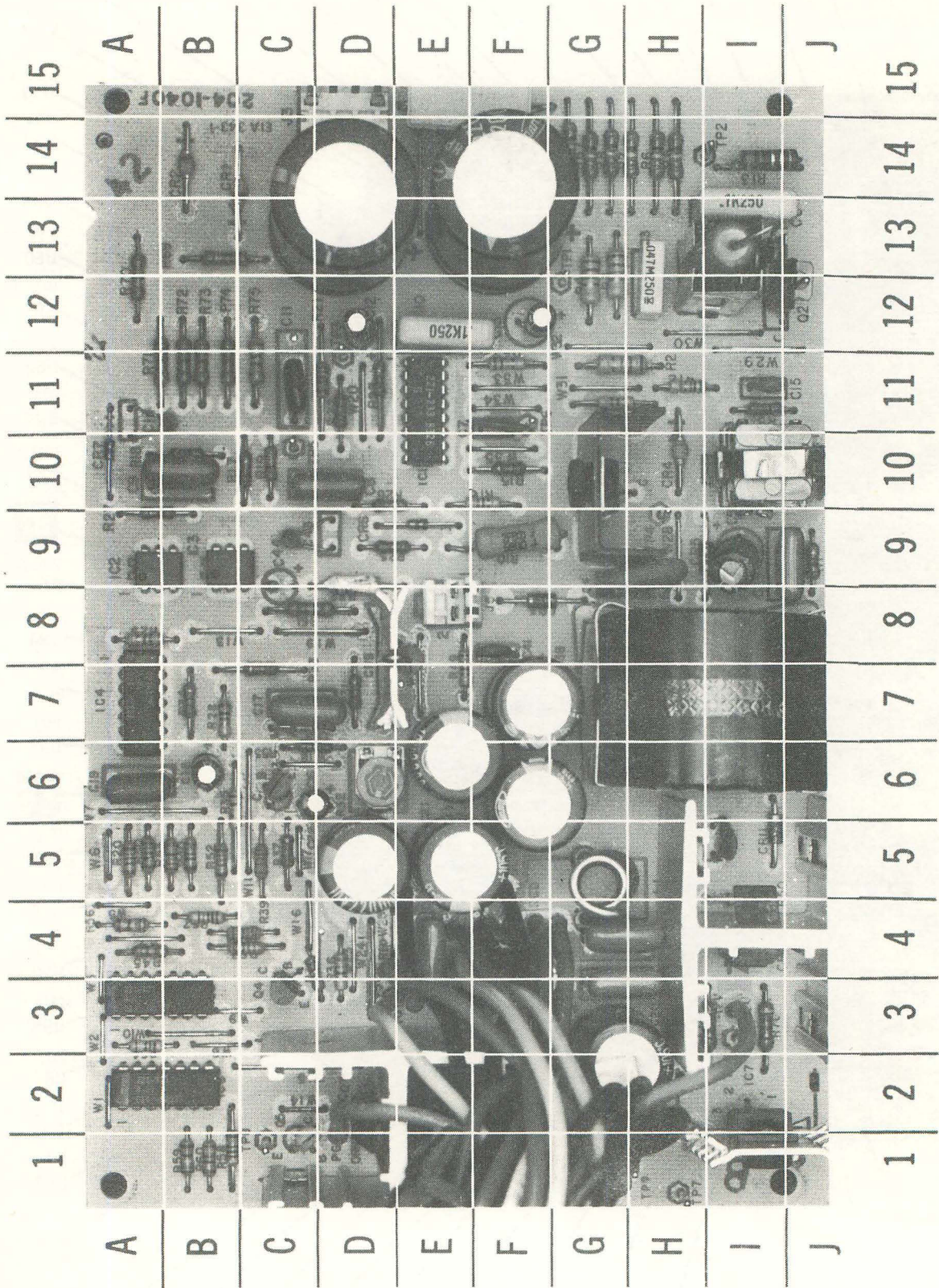


SYSTEM BOARD



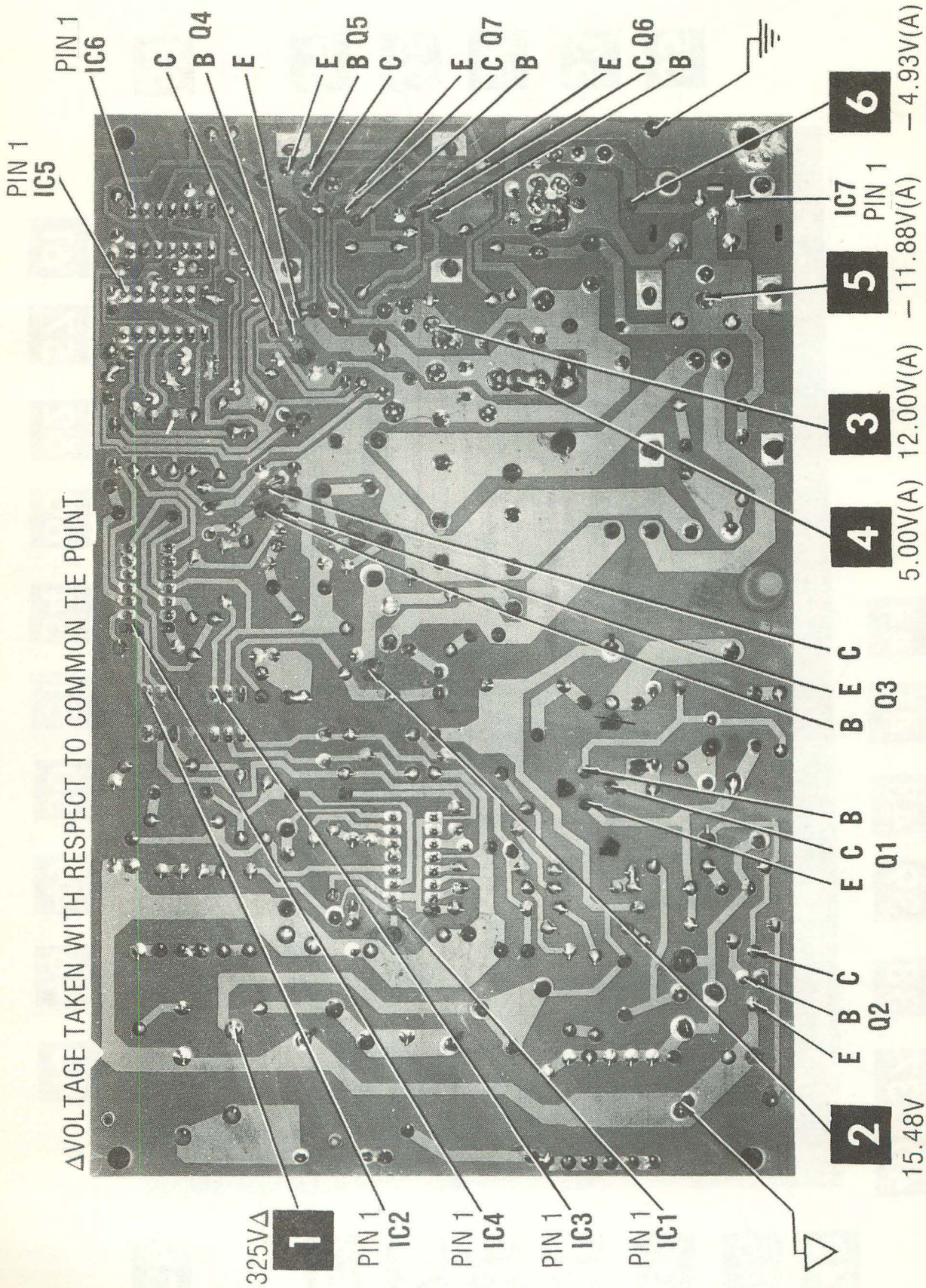
IBM
MODEL 5150

SYSTEM BOARD



POWER BOARD

A Howard W. Sams **GRIDTRACE™** Photo



ΔVOLTAGE TAKEN WITH RESPECT TO COMMON TIE POINT

325VΔ

1

PIN 1
IC2

PIN 1
IC4

PIN 1
IC3

PIN 1
IC1

2

15.48V

E B C
Q2

E C B
Q1

B E C
Q3

4

5.00V(A)

3

12.00V(A)

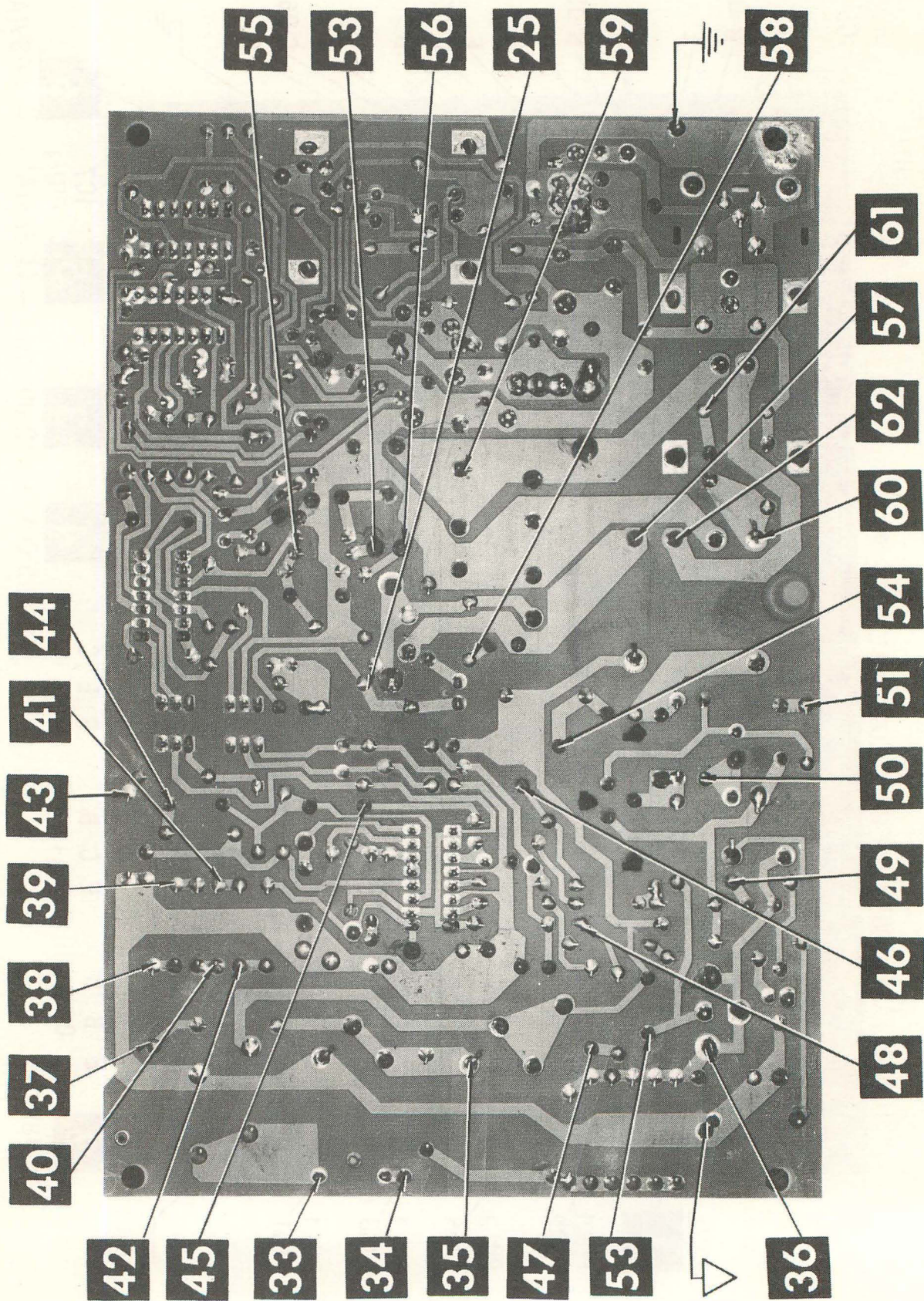
5

-11.88V(A)

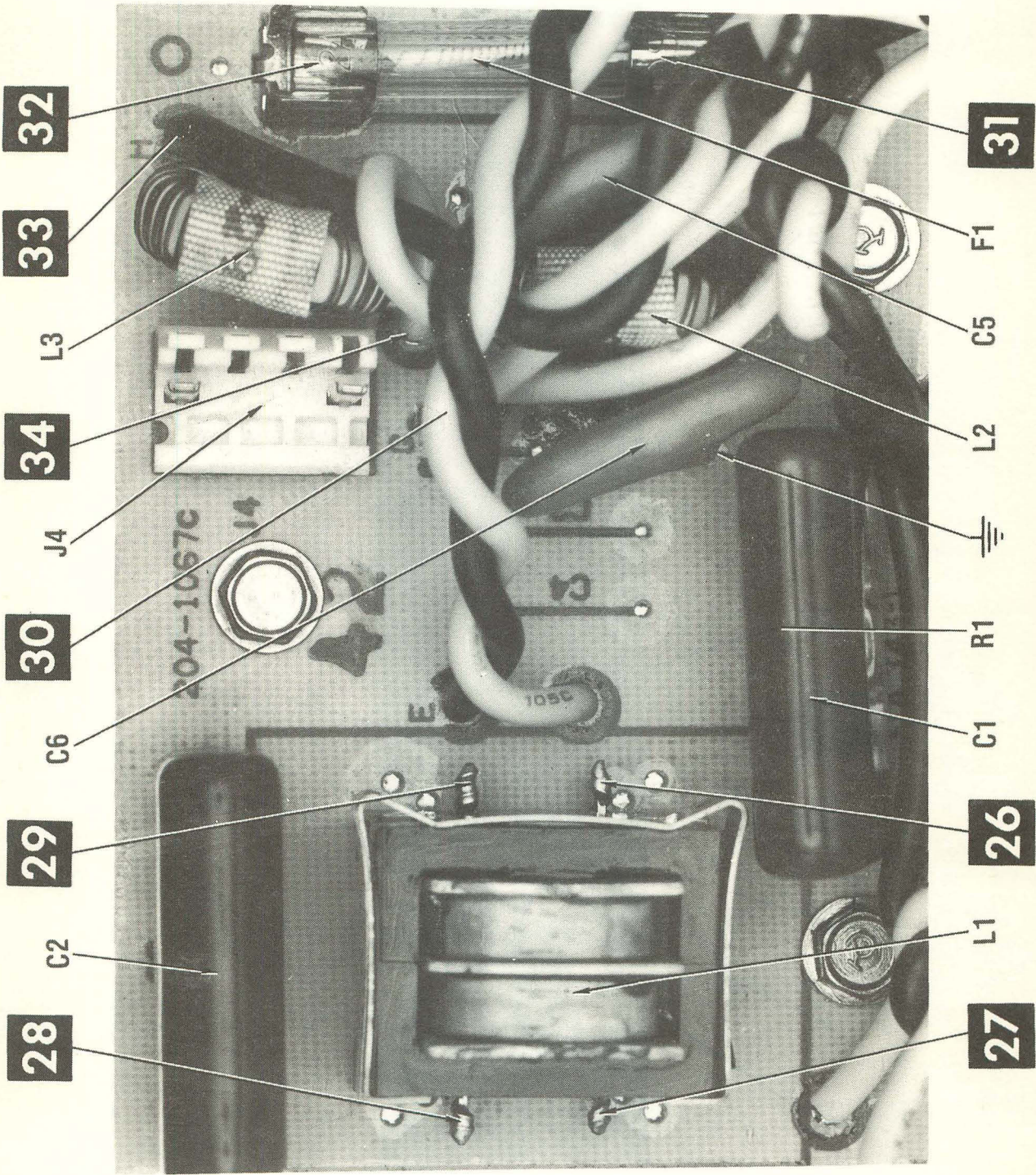
6

-4.93V(A)

IBM
MODEL 5150

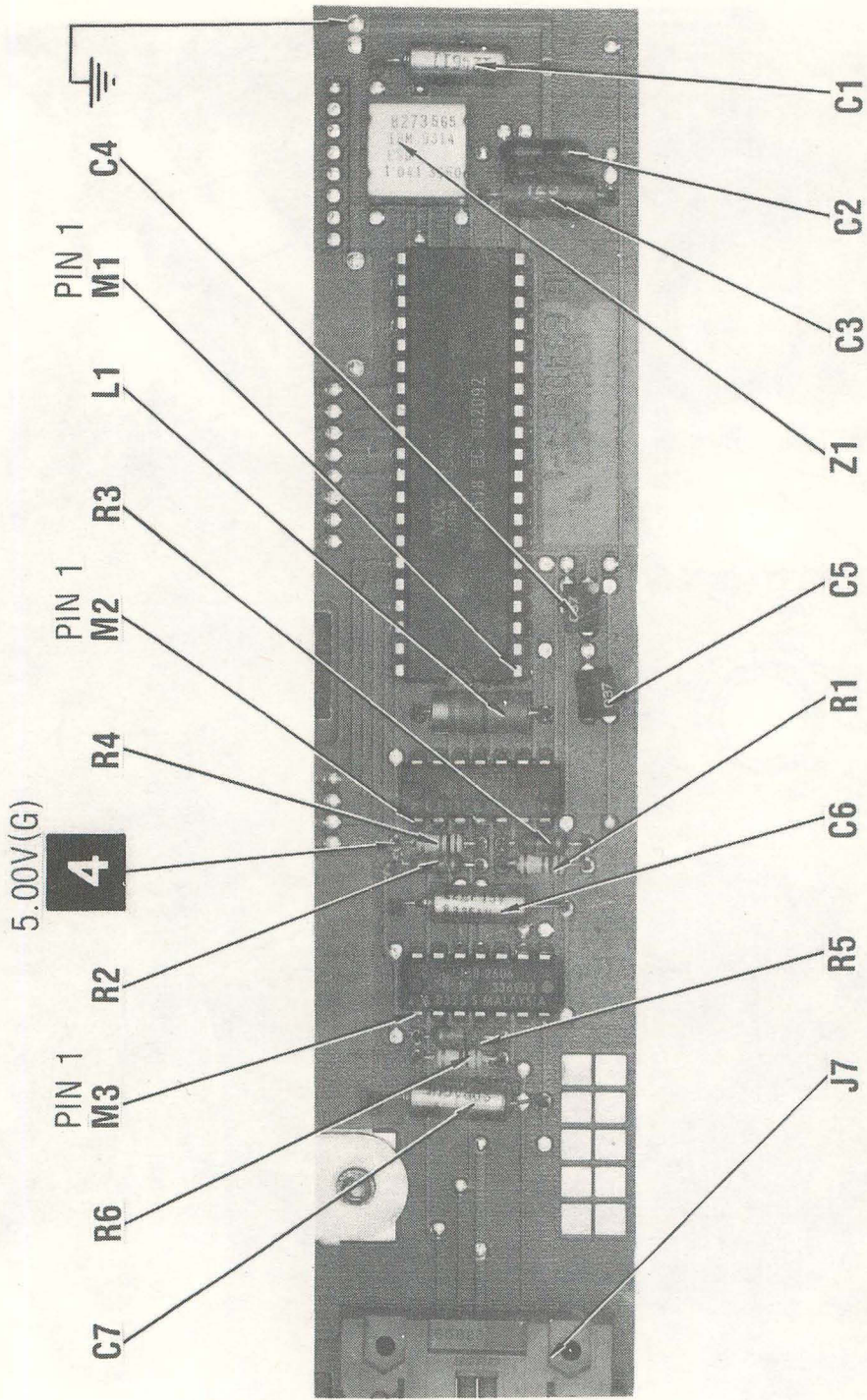


POWER BOARD A Howard W. Sams **CIRCUITRACE** Photo

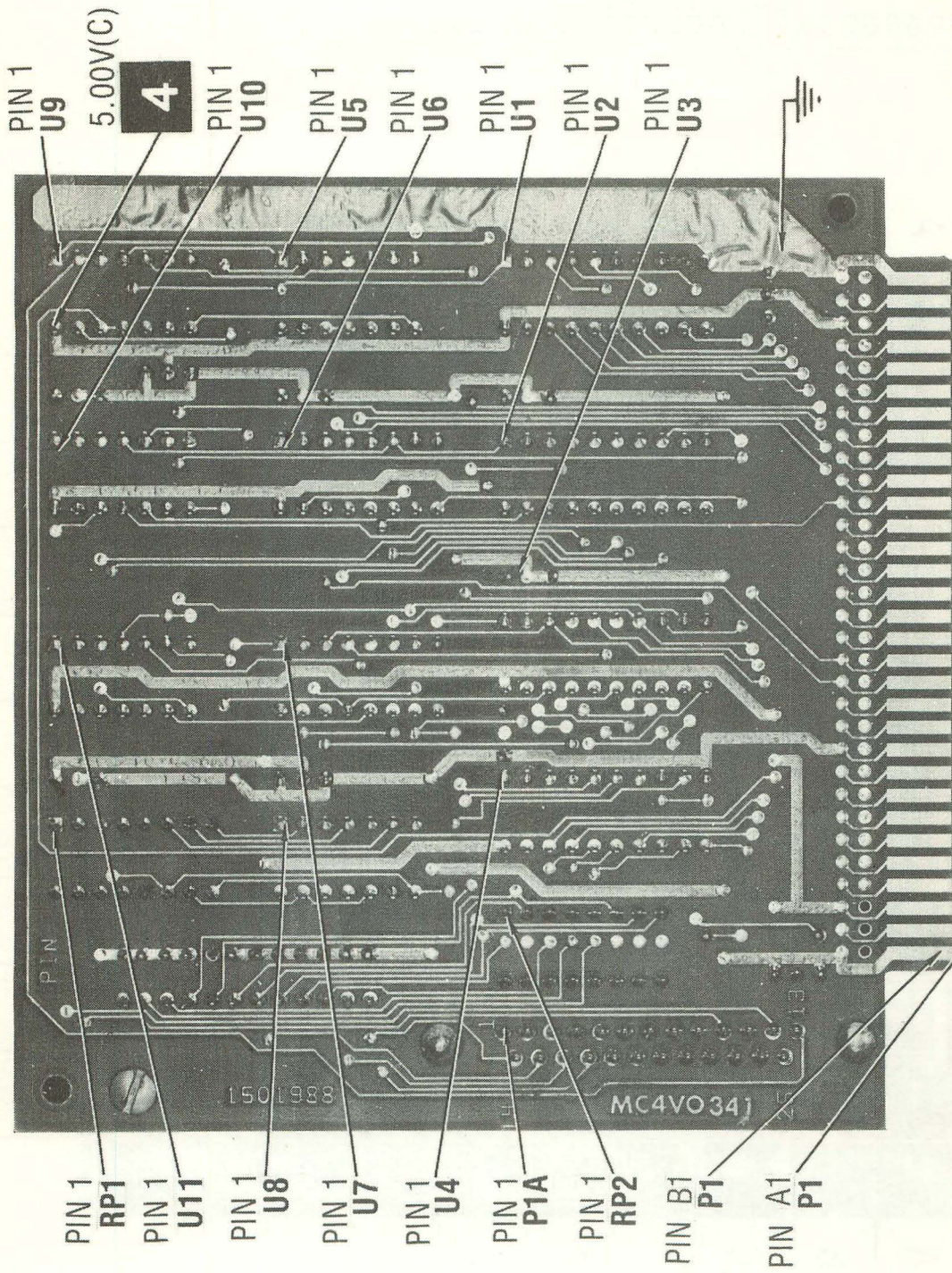


IBM
MODEL 5150

A Howard W. Sams **CIRCUITRACE**® Photo AC INPUT BOARD



KEYBOARD TYPE 2 A Howard W. Sams **CIRCUITRACE®** Photo



1 of 1
 FUNCTION GUIDE
 CHANGES
 LABELS REVISED

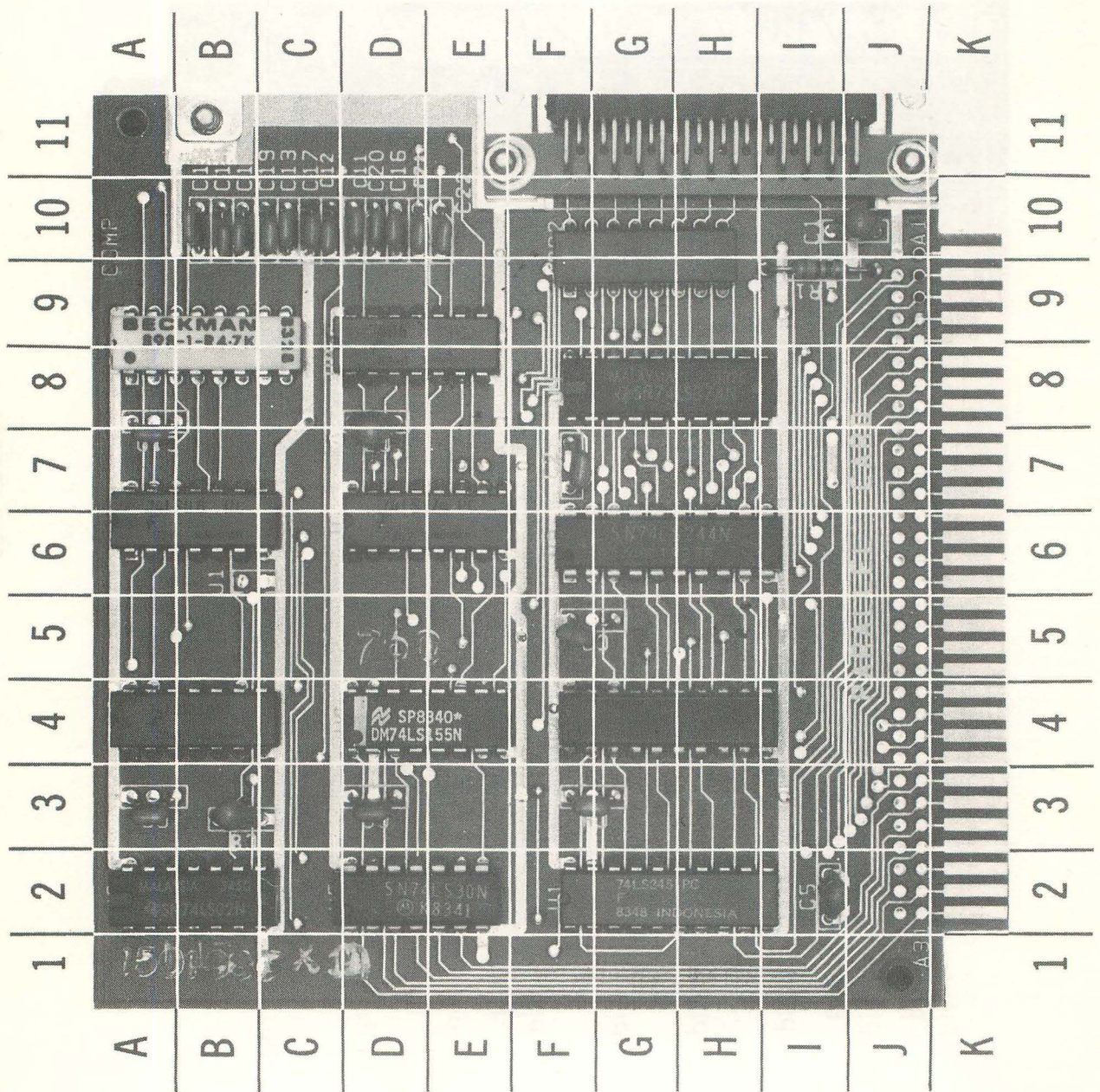
IBM
 MODEL 5150

PRINTER ADAPTER

GridTrace

LOCATION GUIDE

C1	J-10
C2	F-7
C3	F-5
C4	F-3
C5	I-2
C6	D-3
C7	D-8
C8	B-3
C9	A-3
C10	A-7
C11	D-10
C12	C-10
C13	C-10
C14	B-10
C15	B-10
C16	D-10
C17	C-10
C18	B-10
C19	C-10
C20	D-10
C21	D-10
C22	E-10
P1A	F-11
R1	I-9
RP1	A-8
RP2	G-9
G-2	G-9
U1	G-2
U2	G-4
U3	G-6
U4	G-8
U5	D-2
U6	D-4
U7	D-6
U8	D-8
U9	A-2
U10	A-4
U11	A-6



ALIGNMENT

DISK DRIVES (A & B) TYPE 1

EQUIPMENT REQUIRED

A test program or a Disk Drive Tester is required which will turn On the Disk Drive and step the head to the track specified in the alignment procedures. Use a Dyan Analog Alignment Diskette 224/2A when an Alignment Diskette is specified in the alignment procedures. NOTE: This alignment diskette has only alignment patterns on it and does not contain any alignment programs.

SPINDLE SPEED ADJUSTMENT

Insert a blank diskette into the Disk Drive and close the door. Turn the Disk Drive on its side so the pattern wheel on the fly wheel is visible. Adjust the Speed Control (R4) until the 60Hz pattern appears to stand still under a 60Hz fluorescent light. If 50Hz fluorescent lighting is used, use the 50Hz pattern on the pattern wheel.

If a Disk Drive Tester is being used, which provides a readout of the speed in rpm, adjust R4 for a speed of $300\text{rpm} \pm 1.5\%$.

TRACK 00 SWITCH ADJUSTMENT AND STOP ADJUSTMENT

Insert the Alignment Diskette into the Disk Drive and close the door. Turn On the Disk Drive and set the head to track 16. Confirm that the head is on track 16 by observing the cats-eye pattern, see the "Radial Head Alignment" in this Alignment guide. If the cats-eye pattern is not correct, perform the Radial Head Alignment.

To adjust the Track 00 Switch (SW2), set the head to track 01. Loosen the retaining screw at the base of the Track 00 switch bracket and turn the Track 00 Switch Adjustment Screw Maximum counter-clockwise, see Disk Drive Mechanical Photo, Top View. Turn the screw clockwise until a "click" is heard and then turn the screw clockwise one half turn more. Retighten the Track 00 switch bracket retaining screw.

To adjust the Track 00 Stop Adjustment Screw, connect the input of a scope to TP1 and set the sweep time to $10\mu\text{s}$ and the voltage range to .5V. Insert the Alignment Diskette and close the door. Turn On the drive and set the head to track 00. A 125kHz sine wave of about .6V peak to peak should appear on the scope. Turn the Track 00 Stop Adjustment Screw clockwise until the amplitude of the 125kHz signal just starts to decrease then turn the screw counterclockwise 1/2 turn, see Disk Drive Mechanical - Top View Photo. Apply a small amount of cement to the screw to keep it in place.

RADIAL HEAD ALIGNMENT

Connect the channel A input of a dual trace scope to TP1, channel B input to TP2, the external trigger input to TP7 and connect the scope ground to TP6. Set the scope to add mode with channel B inverted, sweep time to 20ms, AC input, trigger to positive slope and voltage to .2V range. Insert the Alignment Diskette, turn On the Disk Drive and set the head to track 16. Observe the cats-eye pattern, see Figure 1. The lobes should be within 80% of each other. If the lobes are out of tolerance, loosen the two head module retaining screws on the bottom of the Disk Drive and the

one screw on the top next to the Radial Head Alignment screw, see Disk Drive Mechanical - Top View Photo. Turn the Radial Head Alignment Screw until the lobes are within 80% of each other and retighten the three retaining screws.

Move the head to track 40 and back to track 16, then to track 00 and back to track 16, verifying that the lobes are within tolerance when the head is on track 16.

EQUAL AMPLITUDE

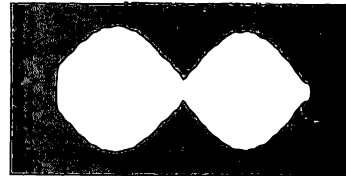


Figure 1

INDEX SENSOR ADJUSTMENT

Connect the channel A input of a dual trace scope to TP3, channel B input to TP7 (index pulse) and the scope ground to TP6. Set the scope display to channel A with the voltage range set to 20mV and the sweep time set to $50\mu\text{s}$. Set the channel B input to noninverting mode and trigger the scope on channel B with the trigger set to positive slope.

Insert the Alignment Diskette in the Disk Drive and close the door. Turn On the Disk Drive and set the head to track 01. Confirm that the leading edge of the burst occurs $200\mu\text{s} \pm 50\mu\text{s}$ after the leading edge of the index pulse, see Figure 2. If the index sensor is out of adjustment, loosen the index sensor retaining screw on the bottom of the Disk Drive and use a flat blade screwdriver placed in the slots on the chassis and index sensor to adjust for $200\mu\text{s} \pm 50\mu\text{s}$, see Disk Drive Mechanical, Bottom View Photo.

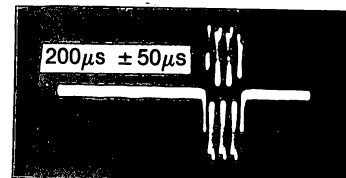


Figure 2

AZIMUTH CHECK

Connect the channel A input of a dual trace scope to TP1, channel B input to TP2, external trigger input to TP7 and connect the scope ground to TP6. Set the scope to add mode with channel B inverted, sweep time to .5ms, AC input, trigger to positive slope and voltage to .1V range.

Insert the Alignment Diskette, turn On the Disk Drive and set the head to track 34. Confirm that the pattern appears as shown in Figure 3. The amplitude of bursts 1 and 4 must be equal to or less than the amplitudes of bursts 2 and 3.

No adjustment is provided for the head azimuth. If the azimuth is out of tolerance, the head may need replacement.

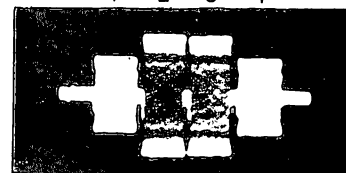


Figure 3

IBM
MODEL 5150

SAFETY PRECAUTIONS

1. Use an isolation transformer for servicing.
2. Maintain AC line voltage at rated input.
3. Remove AC power from the computer system before servicing or installing electrostatically sensitive devices. Examples of typical ES devices are integrated circuits and semiconductor "chip" components.
4. Use extreme caution when handling the printed circuit boards. Some semiconductor devices can be damaged easily by static electricity. Drain off any electrostatic charge on your body by touching a known earth ground. Wear a commercially available discharging wrist strap device. This should be removed prior to applying power to the unit under test.
5. Use a grounded-tip, low voltage soldering iron.
6. Use an isolation (times 10) probe on scope.
7. Do not remove or install boards, floppy disk drives, printers, or other peripherals with computer system AC power On.
8. Do not use freon-propelled sprays. These can generate electrical charges sufficient to damage semiconductor devices.
9. This computer system is equipped with a grounded three-pronged AC plug. This plug must fit into a grounded AC power outlet. Do not defeat the AC plug safety feature.
10. Periodically examine the AC power cord for damaged or cracked insulation.
11. The computer system cabinet is equipped with vents to prevent heat build-up. Never block, cover, or obstruct these vents.
12. Instructions should be given, especially to children, that objects should not be dropped or pushed into the vents of the cabinet. This could cause shock or equipment damage.
13. Never expose the computer system to water. If exposed to water turn the unit off. Do not place the computer system near possible water sources.
14. Never leave the computer system unattended or plugged into the AC outlet for long periods of time. Remove AC plug from AC outlet during lightning storms.
15. Do not allow anything to rest on AC power cord.
16. Unplug AC power cord from outlet before cleaning computer system.
17. Never use liquids or aerosols directly on the computer system. Spray on cloth and then apply to the computer system cabinet. Make sure the computer system is disconnected from the AC power line.

SCHEMATIC NOTES

—# Circuitry not used in some versions

--- Circuitry used in some versions

⊙ See parts list

⊕ Ground

⌚ Chassis

▽ Common tie point

Waveforms and voltages taken from ground, unless noted otherwise.

Voltages, Waveforms and Logic probe readings taken with computer turned On, no keys pressed, unless otherwise noted.

Waveforms taken with triggered scope and Sweep/Time switch in Calibrate position, scope input set for DC coupling on 0 reference voltage waveforms. Switch to AC input to view waveforms after DC reference is measured when necessary. Each waveform is 7 cm. width with DC reference voltage given at the bottom line of each waveform.

Time in μ sec. per cm, given with p-p reading at the end of each waveform.

Item numbers in rectangles appear in the alignment/adjustment instructions.

Supply voltages maintained as shown at input.

Voltages measured with digital meter, no signal.

Controls adjusted for normal operation.

Terminal identification may not be found on unit.

Capacitors are 50 volts or less, 5% unless noted.

Electrolytic capacitors are 50 volts or less, 20% unless noted.

Resistors are $\frac{1}{2}W$ or less, 5% unless noted.

Value in () used in some versions.

Measurements with switching as shown, unless noted.

Logic Probe Display

L = Low

H = High

P = Pulse

* = Open (No light On)

(1) Probe indicates P when a key is pressed.

(2) Probe indicates H when speakers sounds.

(3) Probe indicates P while beeping speaker.

(4) Probe indicates L when cassette motor turns On.

(5) Probe indicates H when cassette motor turns Off.

LINE DEFINITIONS

<p>A0 Thru A19 Address Lines</p> <p>ACK Acknowledge</p> <p>AD0 Thru AD7</p> <p>ADSTB</p> <p>ADDR SEL Address Select</p> <p>AEN Address Enable</p> <p>AEN BRD</p> <p>ALE Address Latch Enable</p> <p>AUTO FD XT Auto Feed External Lines</p> <p>BA8 Thru BA19 Buffer Address Lines</p> <p>BD0 Thru BD7 Buffer Data</p> <p>BUSY Busy</p> <p>CAS Column Address Strobe</p> <p>CAS0 Thru CAS3 Column Address Strobe Lines</p> <p>CASS DATA IN Cassette Data In</p> <p>CLK Clock</p> <p>CLK88</p> <p>CS2 Thru CS7 Chip Select Lines</p> <p>D0 Thru D7 Data Lines</p> <p>DACK0 Thru DACK3 .. Direct Memory Access Acknowledge Lines</p> <p>DACK0 BRD</p> <p>DATA IN Data In</p> <p>DATA OUT Data Out</p> <p>DCLK Data Clock</p> <p>DIR Direction</p> <p>DMA AEN Direct Memory Access Address Enable</p> <p>DMA CS Direct Memory Access Chip Select</p> <p>DMA WAIT Direct Memory Access Wait</p> <p>DRQ0 Thru DRQ3</p> <p>DT/R Data Transmit Receiver</p> <p>ERROR Error</p> <p>EN I/O CK</p> <p>EN I/O CLK Enable I/O Clock</p> <p>ENB RAM PCK</p> <p>G Enable</p> <p>HOLDA Hold Access</p> <p>I/O CH CK I/O Channel Check</p> <p>I/O CH CLK I/O Channel Check</p> <p>I/O CH RDY I/O Channel Ready</p> <p>INIT Initialize</p> <p>INT Interrupt</p> <p>INTA Initialize Address</p> <p>INTR CS Internal Chip Select</p> <p>IOR I/O Read</p> <p>IOW I/O Write</p> <p>IRQ0 Thru IRQ7 Interrupt Request Lines</p> <p>IRQ EN Interrupt Enable</p> <p>LOCK Lock</p> <p>MA0 Thru MA7 Memory Address Lines</p> <p>MD0 Thru MD7 Memory Data Lines</p> <p>MD00 Thru MD11 Matrix Data Lines</p> <p>MDP</p> <p>ME Memory Enable</p> <p>MEMR Memory Read</p> <p>MEMW Memory Write</p> <p>MOTOR CNTRL Motor Control</p>	<p>MOTOR OFF Motor Off</p> <p>MRQ DMA Memory Request Direct Memory Access</p> <p>NMI Non-Maskable Interrupt</p> <p>NP INSTL SW</p> <p>NPNPI</p> <p>OSC Oscillator</p> <p>PB6, PB7</p> <p>PCK</p> <p>PCLK Peripheral Clock</p> <p>PE Paper End</p> <p>PPICS</p> <p>PWR GOOD Power Good</p> <p>QS0, QS1</p> <p>RAM ADDR SEL RAM Address Select</p> <p>RAS Row Address Strobe</p> <p>RAS0 Thru RAS3 Row Address Strobe</p> <p>RDY/WAIT Ready/Wait</p> <p>RDY TO DMA Ready to Direct Memory Access</p> <p>READY Ready</p> <p>REFRESH GATE Refresh Gate</p> <p>REQIN Request In</p> <p>REQOUT Request Out</p> <p>REQUEST/CLOCK Request Clock</p> <p>RESET Reset</p> <p>RESET DRV Reset Drive</p> <p>ROM ADDR SEL ROM Address Select</p> <p>RQ/GT</p> <p>RPA Read Printer Data</p> <p>RPB Read Printer Control</p> <p>RPC Read Printer Status</p> <p>S0 Thru S2 Status</p> <p>SA CLOSED</p> <p>SELECT 0 Thru SELECT 2 Select Lines</p> <p>SENSE A Thru SENSE H Sense Lines</p> <p>SERIAL DATA Serial Data</p> <p>SLCT Select</p> <p>SLCT IN Select Input</p> <p>SP/EN Slave Program/Enable Buffer</p> <p>SPKR DATA Speaker Data</p> <p>STROBE Strobe</p> <p>T/C Terminal count</p> <p>TC</p> <p>TC CS</p> <p>T/M 2 GATE SPK</p> <p>TIMER/CNTR 2 Timer Control 2</p> <p>WE Writer Enable</p> <p>WPA Write Printer Data</p> <p>WPC Write Printer Control</p> <p>WRT DMA PG REG Write Direct Memory Access Page Register</p> <p>WRT NMI REG Write Non-Maskable Interrupt Register</p> <p>XA0 Thru XA12 Buffered Address Lines</p> <p>XD0 Thru XD7 Buffered Data Lines</p> <p>XIOR Buffered I/O Read</p> <p>XIOW Buffered I/O Write</p> <p>XMEMR Buffered Memory Read</p> <p>XMEMW Buffered Memory Write</p>
---	--

IBM
MODEL 5150

Any Bar above any alphabetical or numerical combination indicates line active in a low (0) state.

SCHEMATIC NOTES (Continued)

PRINTER ADAPTER

NOTE: Voltages, waveforms and logic probe readings
taken while running the following program.

10 PRINT "PERSONAL"
20 GOTO 10

KEYBOARD TYPE 2 LOGIC

PIN NO.	IC M1	PIN NO.	IC M1	PIN NO.	IC M2	IC M3	IC Z1
1	H(1)	21	P	1	*	*	H
2	P	22	P	2	*	*	P
3	P	23	P	3	L(1)	*	P
4	H	24	P	4	L(1)	*	L
5	H	25	H	5	L(1)	H	H
6	L(1)	26	H	6	L(1)	L	H
7	L	27	P	7	L	L	*(1)
8	H	28	P	8	H(1)	L	*
9	H	29	P	9	H(1)	H	*(1)
10	H	30	P	10	H(1)	H	*(1)
11	P	31	P	11	H(1)	P	*(1)
12	H	32	P	12	*	H	*(1)
13	H	33	P	13	*	H	*(1)
14	H	34	P	14	H	H	*
15	H	35	P	15			P
16	H	36	P	16			P
17	L(1)	37	P	17			P
18	H(1)	38	P	18			H
19	P	39	P	19			*(1)
20	L	40	H	20			*(1)

NOTE: Logic probe readings taken with computer turned On, no keys pressed, unless otherwise noted.

Logic Probe Display

L = Low P = Pulse

H = High * = Open (No light On)

(1) Probe indicates P when a key is pressed.

PRINTER ADAPTER LOGIC

PIN NO.	IC U1	IC U2	IC U3	IC U4	IC U5	IC U6	IC U7	IC U8	IC U9	IC U10	IC U11
1	P	P	H	L	P	P	H	P	L	*	L
2	P	L	P	P	P	L	P	P	H	*	H
3	P	P	P	P	P	P	P	H	H	*	H
4	P	H	P	P	P	H	P	L	P	P	L
5	P	P	P	P	P	H	L	L	P	H	P
6	P	P	P	P	P	P	P	H	P	P	P
7	P	P	P	P	L	H	H	L	L	L	L
8	P	P	L	P	P	L	L	L	P	L	H
9	P	P	P	L	*	P	P	H	H	L	L
10	L	L	L	L	*	H	H	H	P	L	H
11	P	L	P	P	P	P	P	L	L	H	P
12	P	P	P	P	P	H	L	L	L	P	H
13	P	L	P	P	*	P	P	H	H	H	P
14	P	P	P	P	H	P	P	H	H	H	H
15	P	P	P	P		P	L				
16	P	H	P	P		H	H				
17	P	P	P	P							
18	P	P	P	P							
19	L	H	H	P							
20	H	H	H	H							

NOTE: Logic probe readings taken while running the following program.

```
10 PRINT "PERSONAL"
20 GOTO 10
```

Logic Probe Display

L = Low P = Pulse

H = High * = Open (No light On)

SYSTEM BOARD LOGIC

PIN NO.	IC U1	PIN NO.	IC U2	PIN NO.	IC U2	PIN NO.	IC U3	PIN NO.	IC U3	PIN NO.	IC U5	IC U6	IC U7	IC U8	IC U9
1	P	1	P	15	P	1	L	21	L	1	H	L	P	P	P
2	L	2	P	16	P	2	P	22	P	2	H	P	P	P	P
3	L	3	H	17	P	3	P	23	H	3	H	P	P	P	P
4	P	4	P	18	P	4	P	24	P	4	P	P	P	P	P
5	P	5	P	19	L	5	P	25	P	5	P	P	P	P	P
6	P	6	P	20	H	6	P	26	P	6	P	P	P	P	P
7	H	7	P	21	H	7	P	27	P	7	L	P	P	P	P
8	*	8	P	22	H	8	P	28	P	8	P	P	P	P	P
		9	P	23	H	9	P	29	P	9	*	P	P	P	P
		10	P	24	L	10	P	30	H	10	*	L	L	L	L
		11	P	25	H	11	P	31	H	11	P	P	P	P	P
		12	L	26	P	12	P	32	P	12	P	P	P	P	P
		13	L	27	P	13	P	33	L	13	*	H	P	P	P
		14	L	28	H	14	P	34	H	14	H	P	P	P	P
						15	P	35	P	15		P	P	P	P
						16	P	36	P	16		P	P	P	P
						17	L	37	P	17		P	P	P	P
						18	L	38	P	18		P	P	P	P
						19	P	39	P	19		P	P	P	P
						20	L	40	H	20		H	H	H	H

PIN NO.	IC U10	IC U11	IC U12	IC U13	IC U14	IC U15	IC U16	IC U17	IC U18	IC U19	IC U23	IC U24	IC U26	IC U27	IC U29
1	P	L	H	P	P	L	P	P	P	P	H(1)	L(1)	H	P	P
2	P	P	P	P	H	P	P	P	P	P	L	H	H(1)	L	P
3	P	P	P	P	P	P	P	P	P	P	L(1)	H	L(1)	L	P
4	P	P	P	P	P	P	P	P	P	H	H	L(1)	H(1)	P	P
5	P	P	P	P	P	P	P	P	P	H	L(1)	L(1)	H(1)	P	P
6	H	L	P	P	H	P	P	P	P	P	L	L(1)	L(1)	L	P
7	*	H	P	P	H	P	P	P	P	P	L(1)	L(1)	H(1)	L	P
8	*	P	P	P	H	P	P	P	P	L	H	L(1)	L	P	P
9	H	L	P	P	H	P	P	P	P	P	L(1)	H(1)	P	P	P
10	L	L	L	L	L	L	L	L	L	P	L	L	P	P	P
11	L	H	P	P	H	P	P	P	P	P	H	L(1)	P	P	L
12	H	P	P	P	H	P	P	P	P	H	L(1)	L(1)	P	H	L
13	*	L	P	P	H	P	P	P	P	P	H	L(1)	*	L	P
14	*	*	P	P	H	P	P	P	P	P	L(1)	L(1)	L	H	P
15	H	L	P	P	P	P	P	P	P	P	L	L(1)	H		P
16	P	P	P	P	H	P	P	P	P	H	L(1)	L(1)	H		P
17	P	P	P	P	P	P	P	P	P		H	L(1)			P
18	P	H	P	P	H	P	P	P	P		L(1)	H			P
19	P		P	P	L	L	P	P	P		H(1)	H			P
20	H		H	H	H	H	H	H	H		H	H			H
21															P
22															P
23															P
24															H

IBM
MODEL 5150

NOTE: Logic probe readings taken with computer turned On, no keys pressed, unless otherwise noted.
 Logic Probe Display
 L = Low
 H = High
 P = Pulse
 * = Open (No light On)
 (1) Probe indicates P when a key is pressed.

SYSTEM BOARD LOGIC (Continued)

PIN NO.	IC U30	IC U31	IC U32	IC U33	IC U34	PIN NO.	IC U35	PIN NO.	IC U35	PIN NO.	IC U36	PIN NO.	IC U36	PIN NO.	IC U37
1	P	P	P	P	P	1	H	21	P	1	L(1)	21	H(4)	1	*
2	P	P	P	P	P	2	P	22	P	2	L(1)	22	L	2	P
3	P	P	P	P	P	3	H	23	P	3	L(1)	23	L	3	P
4	P	P	P	P	P	4	P	24	H	4	L(1)	24	H	4	P
5	P	P	P	P	P	5	H	25	P	5	H	25	L(1)	5	P
6	P	P	P	P	P	6	P	26	P	6	P	26	H	6	P
7	P	P	P	P	P	7	P	27	P	7	L	27	H	7	P
8	P	P	P	P	P	8	P	28	P	8	P	28	P	8	H
9	P	P	P	P	P	9	P	29	P	9	P	29	P	9	P
10	P	P	P	P	P	10	P	30	P	10	L	30	P	10	P
11	P	P	P	P	H	11	P	31	H	11	L	31	P	11	P
12	L	L	L	L	L	12	P	32	P	12	P	32	P	12	P
13	P	P	P	P	P	13	L	33	P	13	P	33	P	13	P
14	P	P	P	P	H	14	H	34	P	14	L	34	P	14	P
15	P	P	P	P	P	15	H	35	P	15	H	35	L	15	P
16	P	P	P	P	H	16	*	36	P	16	L	36	P	16	L
17	P	P	P	P	P	17	L	37	P	17	L	37	L(1)		
18	P	P	P	P	P	18	*	38	P	18	H	38	L(1)		
19	P	P	P	P	P	19	P	39	P	19	L(2)	39	L(1)		
20	H	P	H	P	P	20	L	40	P	20	H	40	L(1)		
21	P	P	P	P	P										
22	P	P	P	P	H										
23	P	P	P	P	P										
24	H	H	H	H	H										
PIN NO.	IC U38	IC U39	IC U40	IC U41	IC U42	IC U43	IC U44	IC U45	IC U46	IC U47	IC U48	IC U49	IC U50	IC U51	IC U52
1	*	*	*	*	*	*	*	*	P	P	L	H	P	L	H
2	P	P	P	P	P	P	P	P	P	L	L	P	P	H	P
3	P	P	P	P	P	P	P	P	P	L	L	P	P	H	P
4	P	P	P	P	P	P	P	P	P	L	L	H	H	L	P
5	P	P	P	P	P	P	P	P	H	P	P	P	L	H	P
6	P	P	P	P	P	P	P	P	P	H	P	P	L	L	P
7	P	P	P	P	P	P	P	P	P	L	H	L	L	L	L
8	H	H	H	H	H	H	H	H	L	L	L	P	P	P	H
9	P	P	P	P	P	P	P	P	H	H	H	P	P	P	H
10	P	P	P	P	P	P	P	P	H	H	H	P	L	H	L
11	P	P	P	P	P	P	P	P	H	H	H	P	P	L	L
12	P	P	P	P	P	P	P	P	H	H	H	P	P	H	H
13	P	P	P	P	P	P	P	P	H	H	H	P	L	L	H
14	P	P	P	P	P	P	P	P	H	H	H	H	H	H	H
15	P	P	P	P	P	P	P	P	H	H	H	H	H	H	H
16	L	L	L	L	L	L	L	L	H	H	H	H	H	H	H

NOTE: Logic probe readings taken with computer turned On, no keys pressed, unless otherwise noted.

Logic Probe Display

L = Low

H = High

P = Pulse

* = Open (No light On)

(1) Probe Indicates P when a key is pressed.

(4) Probe indicates L when cassette motor turns On.

SYSTEM BOARD LOGIC (Continued)

PIN NO.	IC U53	IC U54	IC U55	IC U56	IC U57	IC U58	IC U59	IC U60	IC U61	IC U62	IC U63	IC U64	IC U65	IC U66	IC U67
1	*	*	*	*	*	*	*	*	*	P	P	P	P	P	P
2	P	P	P	P	P	P	P	P	P	P	P	P	P	P	P
3	P	P	P	P	P	P	P	P	P	P	P	*	P	P	P
4	P	P	P	P	P	P	P	P	P	P	H(4)	P	P	P	P
5	P	P	P	P	P	P	P	P	P	P	H(4)	P	P	P	P
6	P	P	P	P	P	P	P	P	P	P	L(5)	P	P	P	P
7	P	P	P	P	P	P	P	P	P	P	L	L	P	P	P
8	H	H	H	H	H	H	H	H	H	L	L	L	L	L	L
9	P	P	P	P	P	P	P	P	P	P	H	H	H	P	P
10	P	P	P	P	P	P	P	P	P	P	H	H	H	P	P
11	P	P	P	P	P	P	P	P	P	P	H(3)	*	P	P	P
12	P	P	P	P	P	P	P	P	P	P	L(2)	P	H	P	P
13	P	P	P	P	P	P	P	P	P	P	P	H	H	P	P
14	P	P	P	P	P	P	P	P	P	P	H	H	H	P	P
15	P	P	P	P	P	P	P	P	P	L			H	P	P
16	L	L	L	L	L	L	L	L	L	H			H	H	H

PIN NO.	IC U79	IC U80	IC U81	IC U82	IC U83	IC U84	IC U94	IC U95	IC U96	IC U97	IC U98	IC U99			
1	P	H	P	H(1)	P	P	P	H	H	L	H	P			
2	P	L	P	L(1)	P	P	P	L(2)	P	H	P	P			
3	P	L	P	L(1)	P	P	*	H(4)	P	L	P	P			
4	P	P	H	H(1)	P	P	P	L	H	P	P	P			
5	P	P	P	L(1)	P	P	P	H	L	P	P	L			
6	P	P	P	H(1)	P	H	P	L(3)	H	P	P	H			
7	P	L	L	L	L	L	L	H(3)	L	L	L	L			
8	L	L(1)	P	P	L	L	P	H	L	L	L	L			
9	P	L	P	P	P	H	P	H	H	P	P	L			
10	P	H(1)	H	H	P	H	P	H	H	H	L	*			
11	P	H(1)	L	P	H	H	P	H	H	P	H	*			
12	P	L	L	H	P	P	P	P	P	P	P	H(1)			
13	P	H	L	H	P	P	P	H	H	P	P	L(1)			
14	P	H	H	H	H	H	H	H	H	H	P	H			
15	L										P				
16	H										P				

IBM
MODEL 5150

NOTE: Logic probe readings taken with computer turned On, no keys pressed, unless otherwise noted.

Logic Probe Display

L = Low

H = High

P = Pulse

* = Open (No light On)

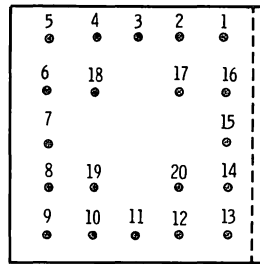
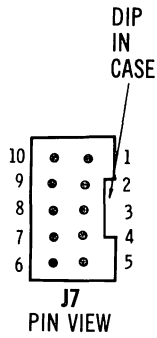
(1) Probe indicates P when a key is pressed.

(2) Probe indicates H when speakers sounds.

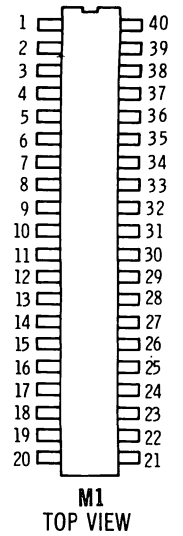
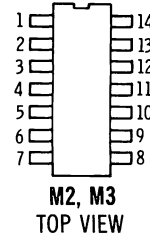
(3) Probe indicates P while beeping speaker.

(4) Probe indicates L when cassette motor turns On.

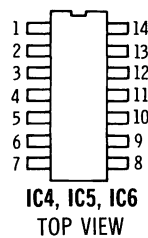
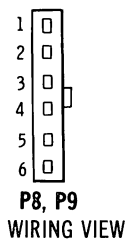
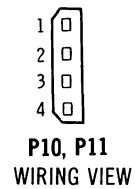
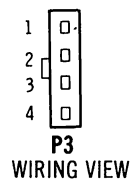
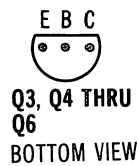
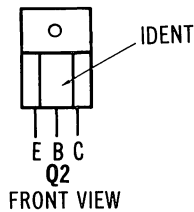
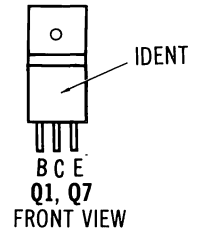
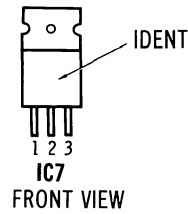
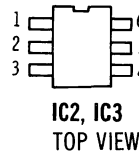
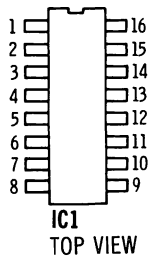
(5) Probe indicates H when cassette motor turns Off.



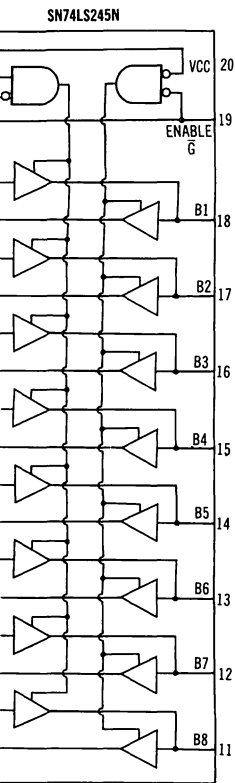
BEVELED ON TOP



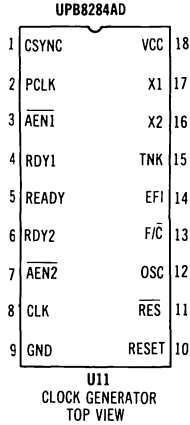
KEYBOARD TYPE 2



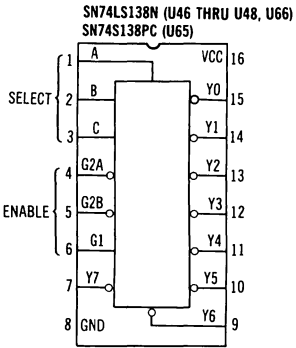
POWER SUPPLY



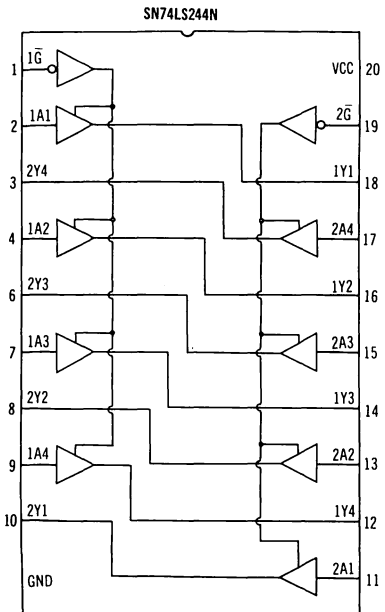
U8, U12 THRU U14
 TRANSCEIVER
 TOP VIEW



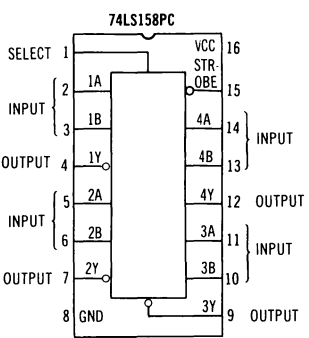
U11
 CLOCK GENERATOR
 TOP VIEW



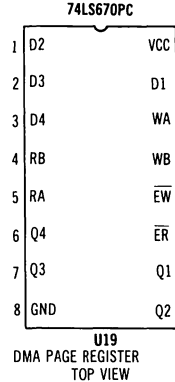
U46 THRU U48,
 U65, U66
 DECODER
 TOP VIEW



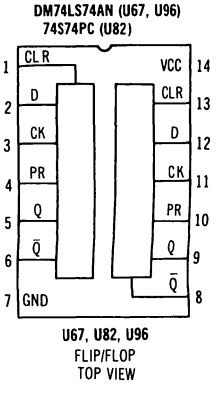
U15 THRU U17, U23
 BUFFER
 TOP VIEW



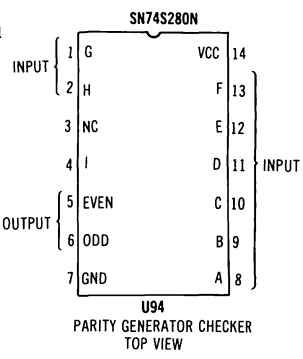
U62, U79
 MULTIPLEXER
 TOP VIEW



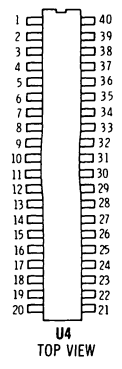
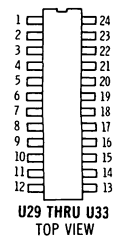
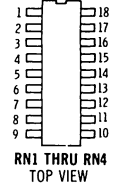
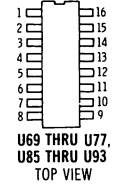
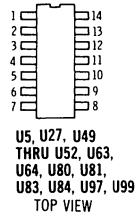
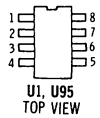
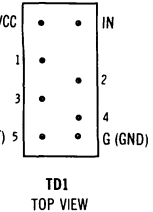
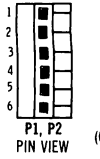
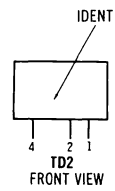
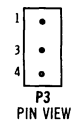
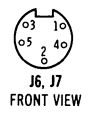
U19
 DMA PAGE REGISTER
 TOP VIEW



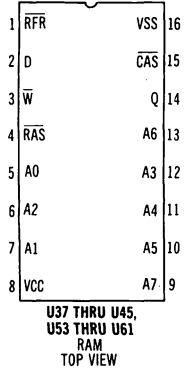
U67, U82, U96
 FLIP/FLOP
 TOP VIEW



U94
 PARITY GENERATOR CHECKER
 TOP VIEW



MK4564N-20 (U37, U41, U43, U45, U53 THRU U61)
 MK4564N-15 (U38, U39, U40, U42, U44)



IBM
 MODEL 5150

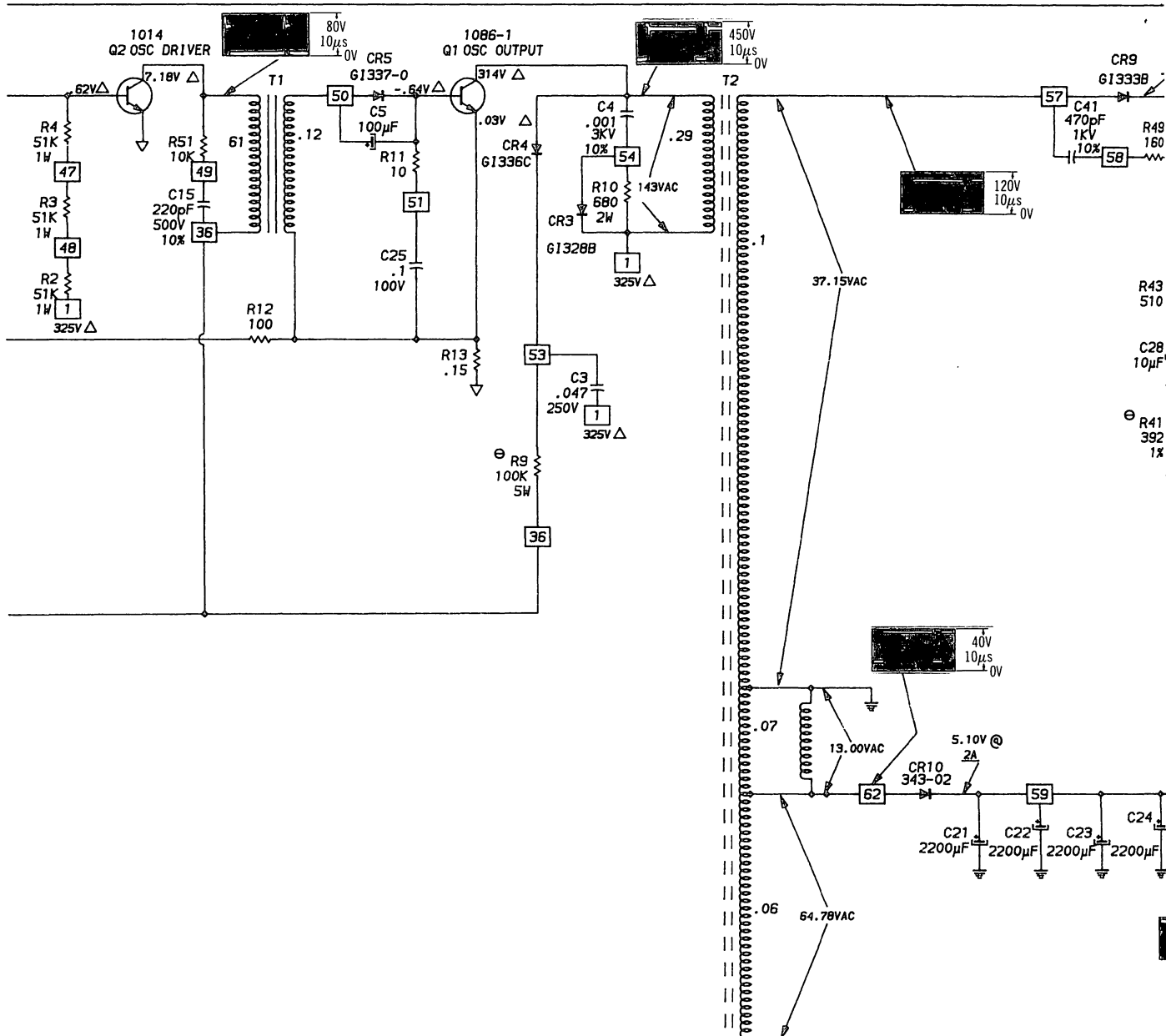
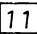


PHOTO CIRCUITRACE = 

SCHEMATIC CIRCUITRACE = 

SEE PINOUTS, TERMINAL GUIDES AND SCHEMATIC NOTES PAGES 44,50

SEE SCHEMATIC NOTES BEFORE TAKING VOLTAGES, WAVEFORMS AND LOGIC PROBE READINGS

A PHOTOFACIT STANDARD NOTATION SCHEMATIC

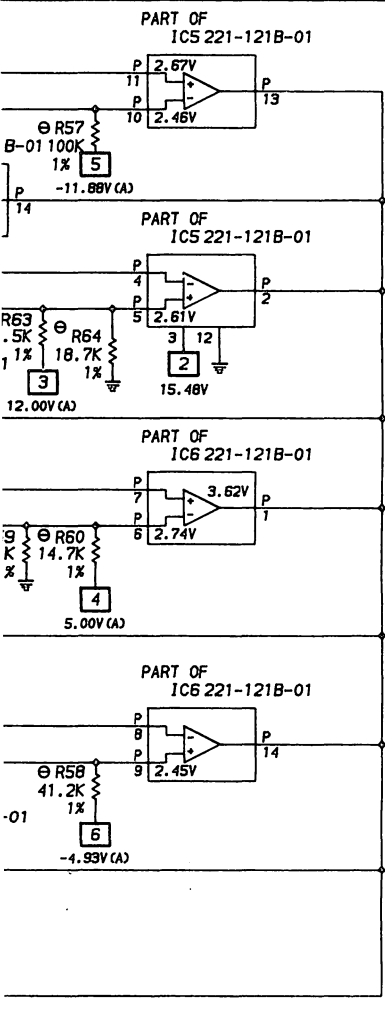
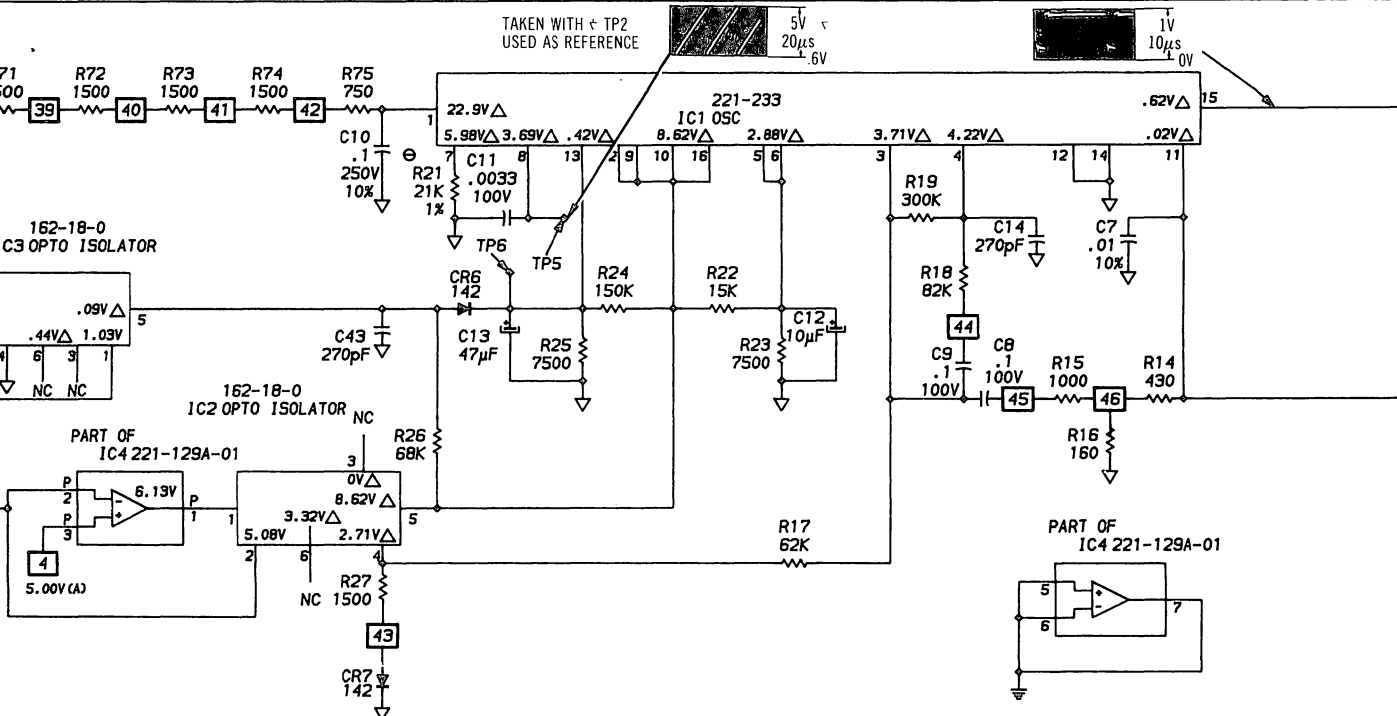
WITH **CIRCUITRACE**

© Howard W. Sams & Co., Inc. 1984

POWER SUPPLY

12V
2ms
1.0V

△ MEASURED FROM
COMMON TIE POINT ▽



SEE PINOUTS, TERMINAL
GUIDES AND SCHEMATIC
NOTES PAGES 44,50

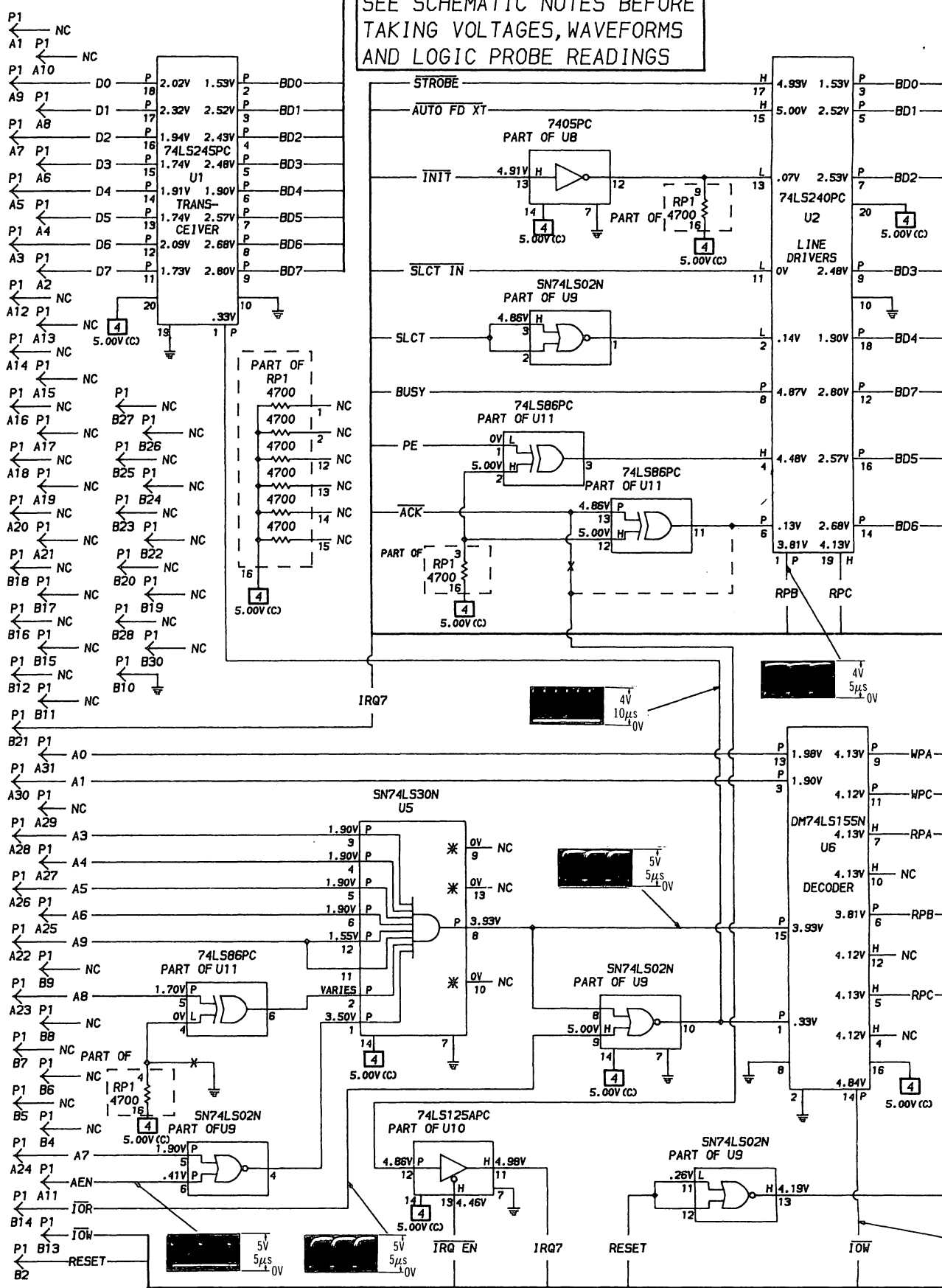
SEE SCHEMATIC NOTES BEFORE
TAKING VOLTAGES, WAVEFORMS AND
LOGIC PROBE READINGS

IBM
MODEL 5150

SEE
J1 ON
SYSTEM
BOARD
PAGE 56

SEE SCHEMATIC NOTES BEFORE
TAKING VOLTAGES, WAVEFORMS
AND LOGIC PROBE READINGS

I
O
C
O
N
N
E
C
T
O
R

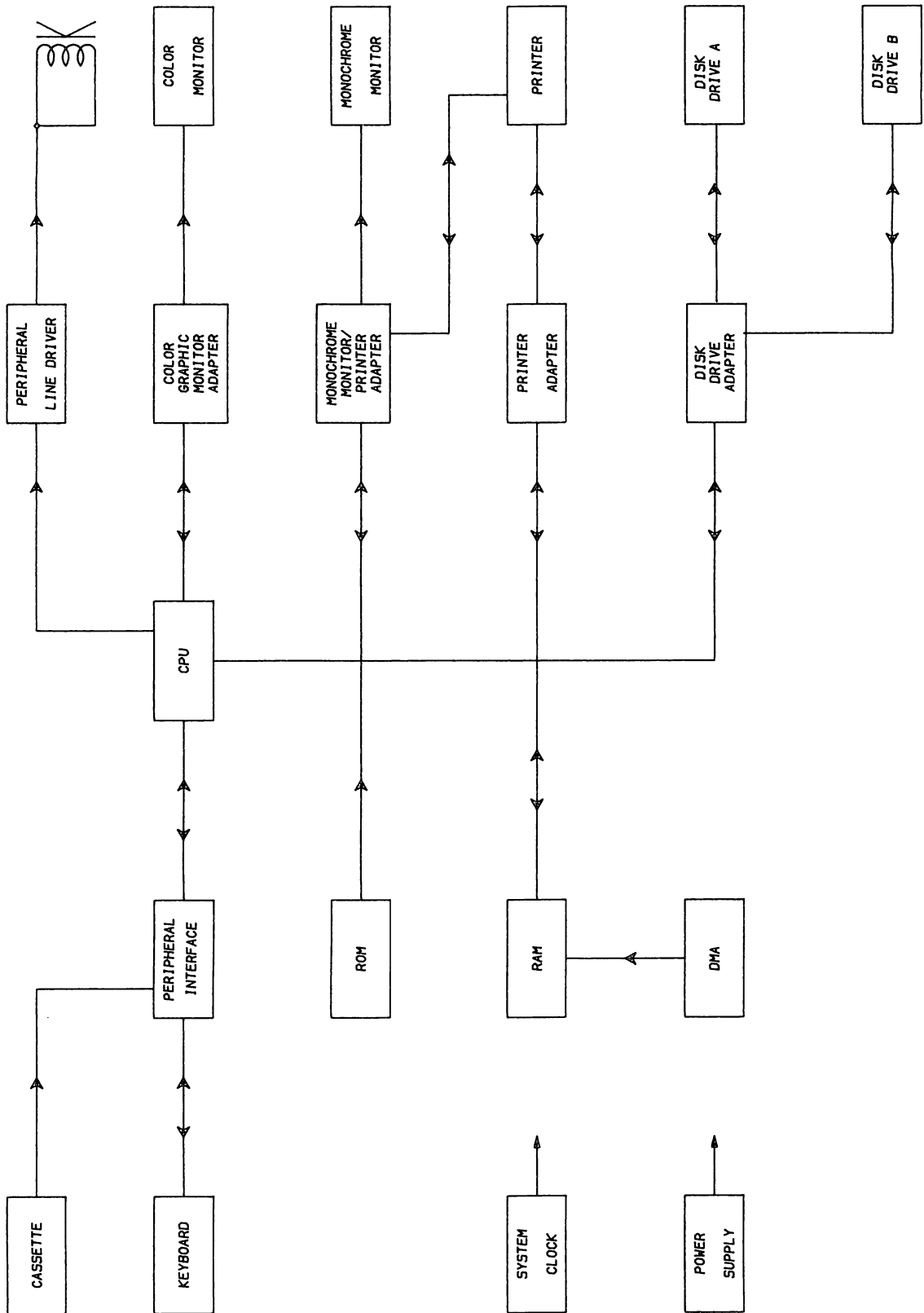


A PHOTOFAC STANDARD NOTATION SCHEMATIC

WITH **CIRCUITRACE**

© Howard W. Sams & Co., Inc. 1984

PRINTER ADAPTER

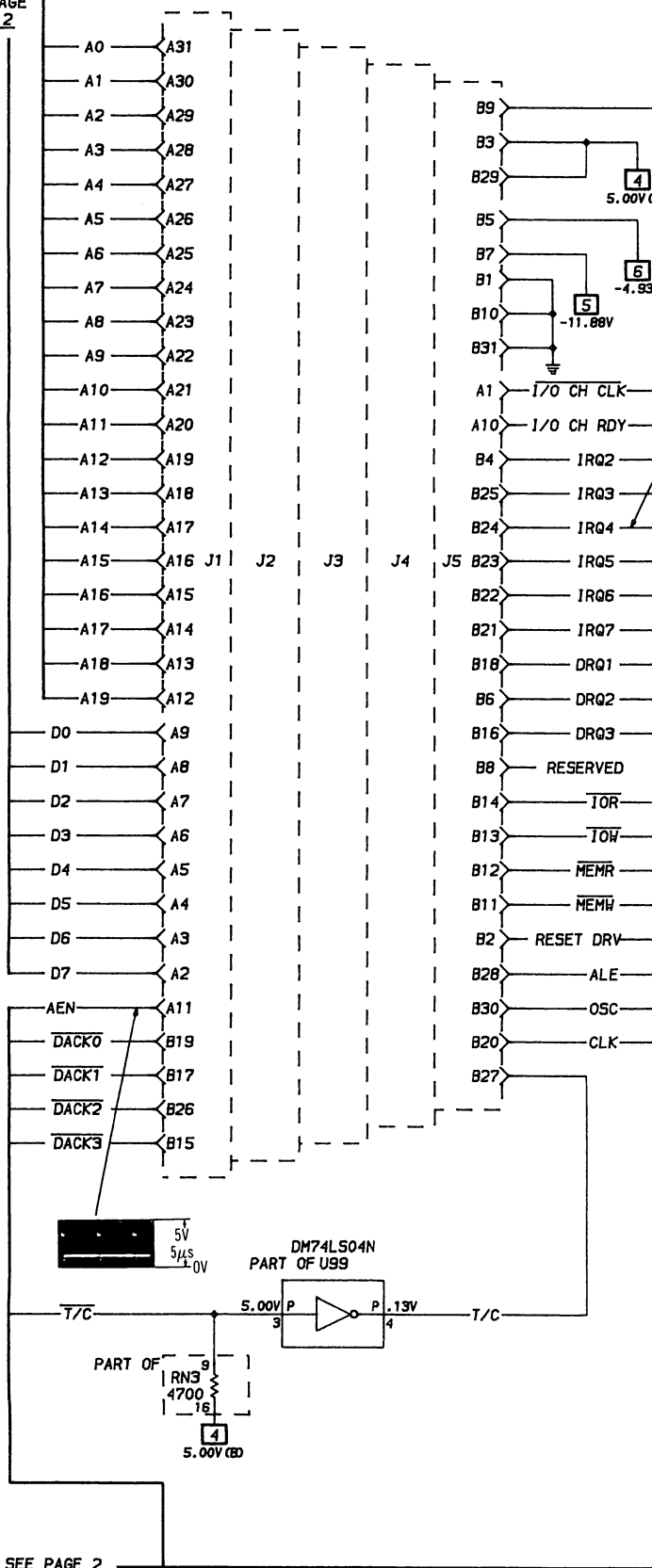


IBM
MODEL 5150

BLOCK DIAGRAM

B- SEE PAGE 2
D- SEE PAGE 2

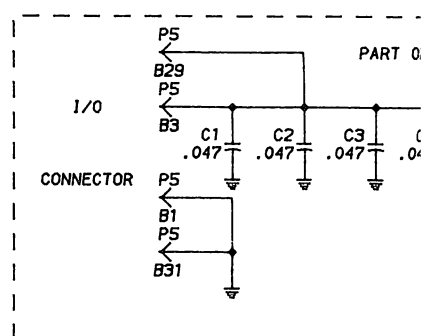
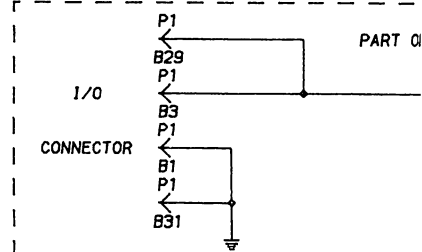
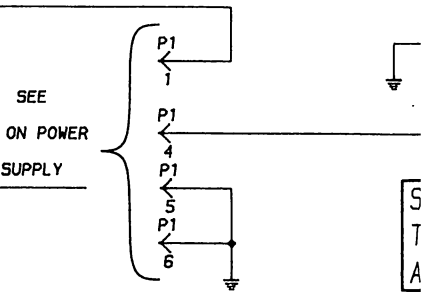
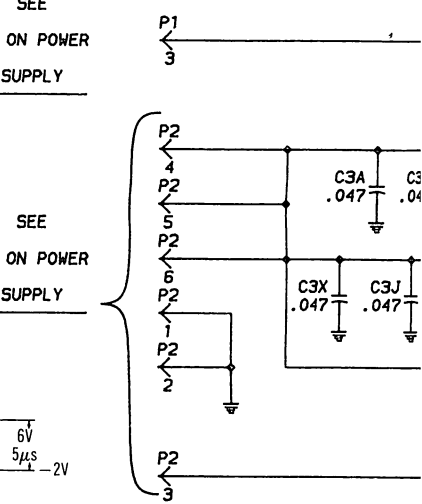
I/O CONNECTORS



SEE P8 ON POWER SUPPLY

SEE P9 ON POWER SUPPLY

SEE P8 ON POWER SUPPLY



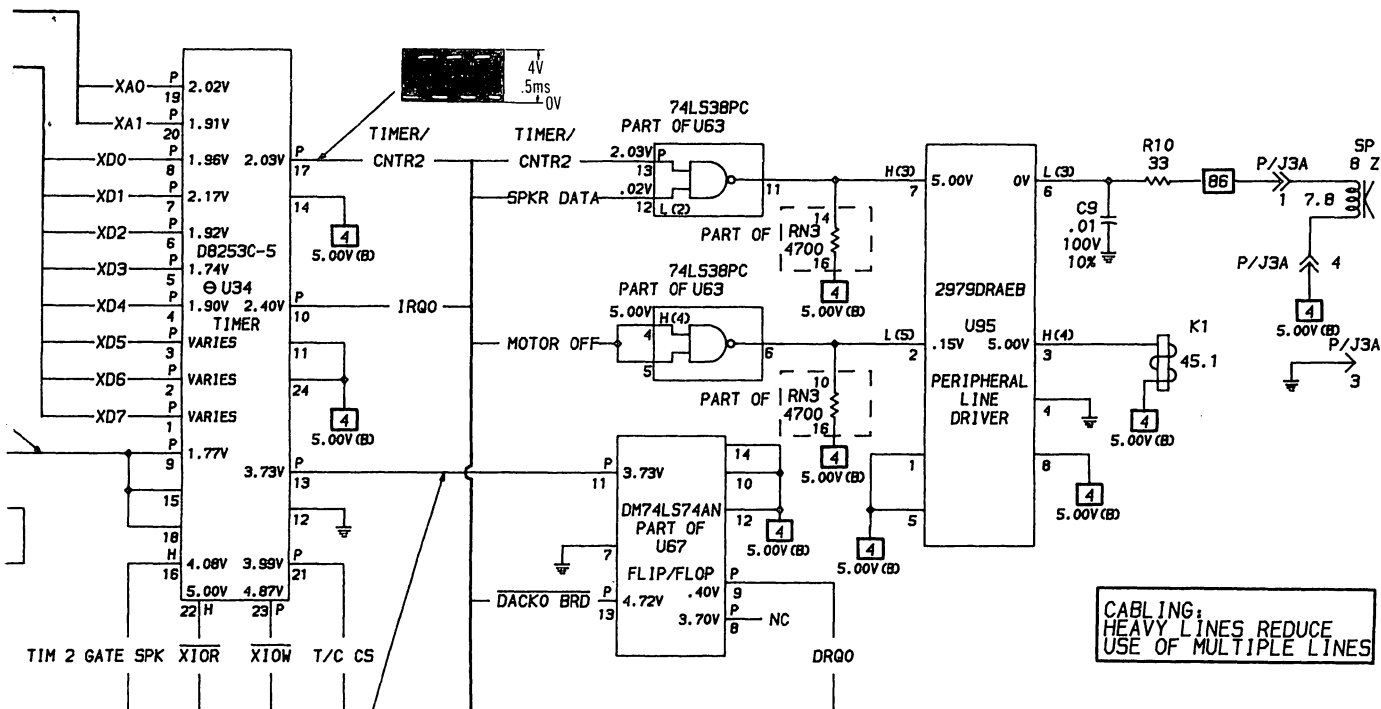
SEE PINOUTS, TERMINAL GUIDES AND SCHEMATIC NOTES PAGES 10, 44, 50, 51

6 SEE PAGE 2

A PHOTOFAC STANDARD NOTATION SCHEMATIC WITH CIRCUITACE™

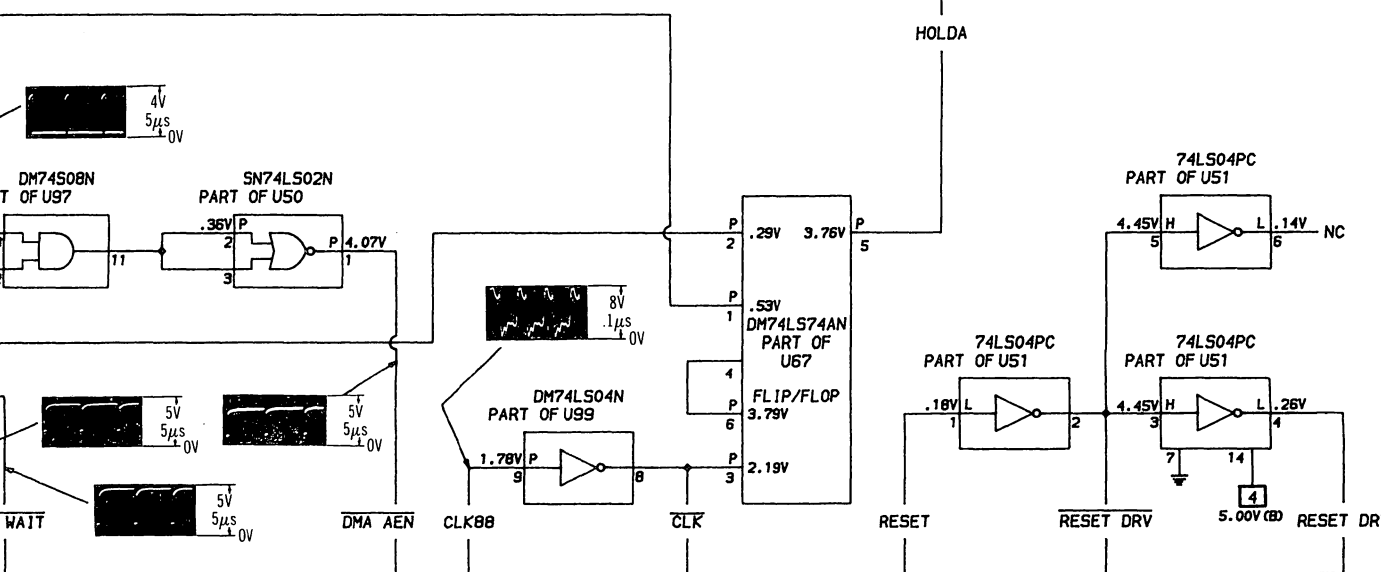
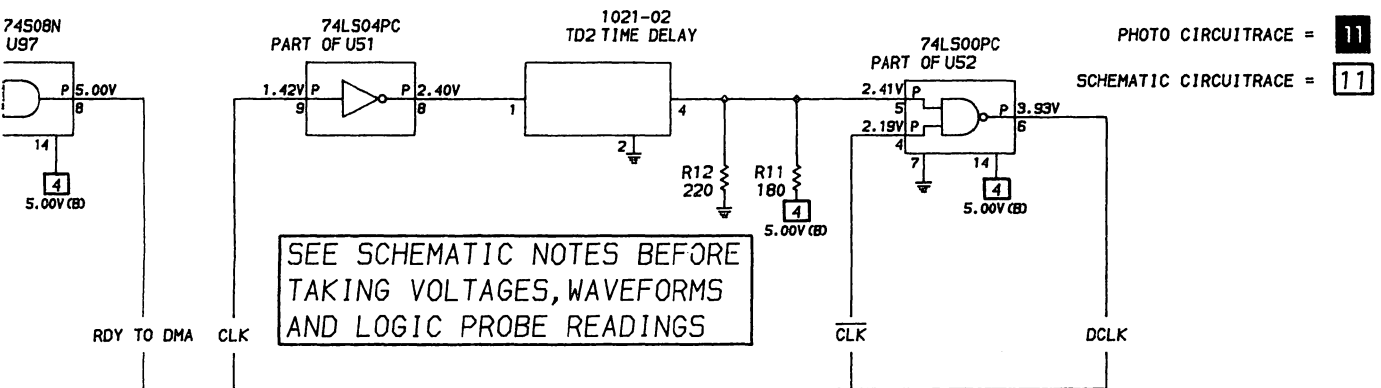
© Howard W. Sams & Co., Inc. 1984

SYSTEM BOARD



LINE IDENTIFICATIONS ASSIGNED FOR REFERENCE

SEE PINOUTS, TERMINAL GUIDES AND SCHEMATIC NOTES PAGES 10, 44, 51



A — SEE PAGE 2
 B — SEE PAGE 2
 C — SEE PAGE 2
 E — SEE PAGE 61

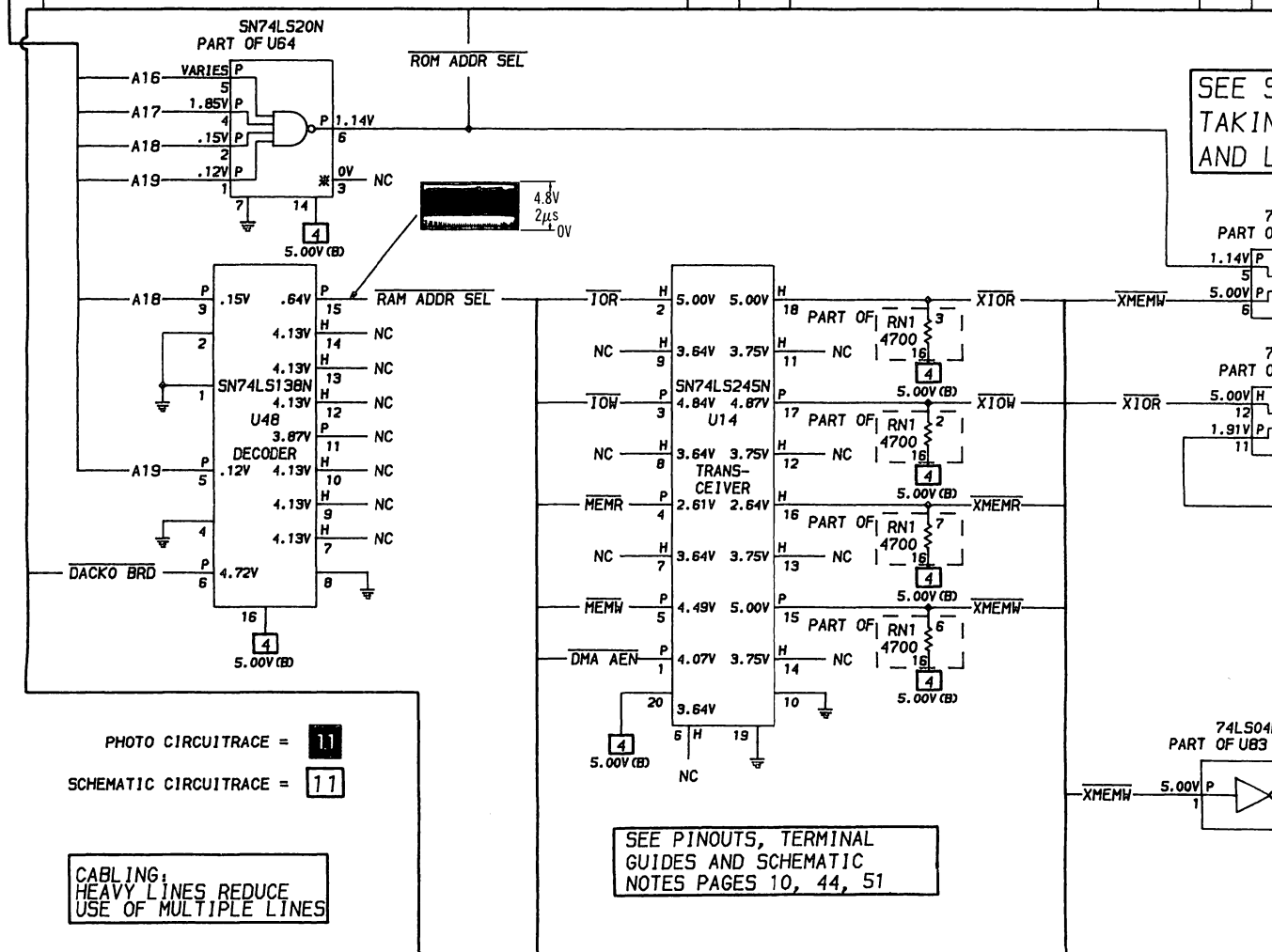
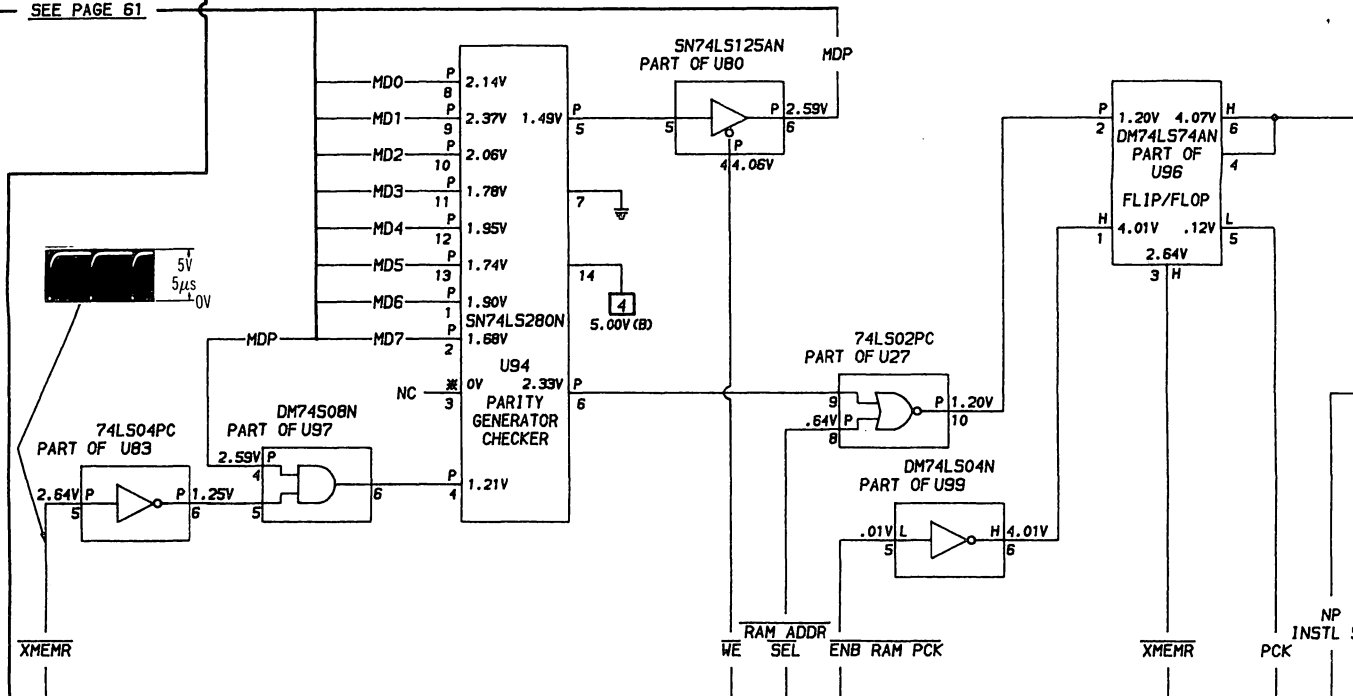


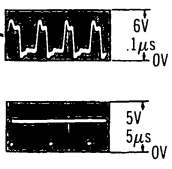
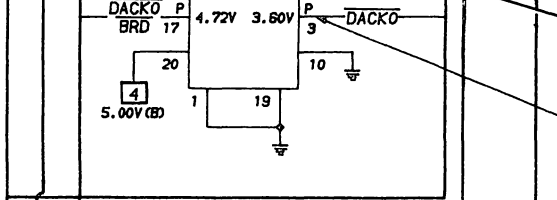
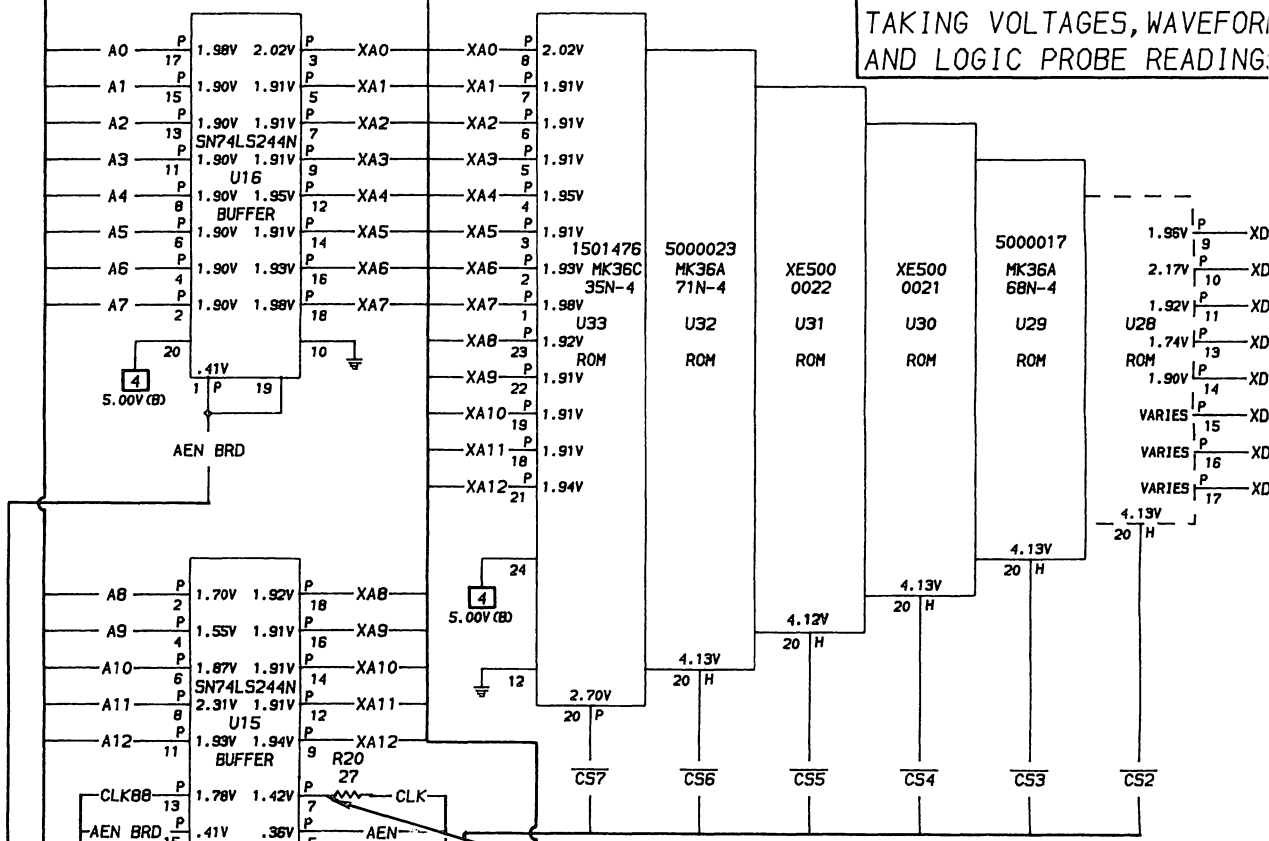
PHOTO CIRCUITRACE = 11
 SCHEMATIC CIRCUITRACE = 11

CABLING,
 HEAVY LINES REDUCE
 USE OF MULTIPLE LINES

6 — SEE PAGE 2
 A PHOTOFACT STANDARD NOTATION SCHEMATIC
 WITH **CIRCUITRACE™**
 © Howard W. Sams & Co., Inc. 1984

SYSTEM BOARD

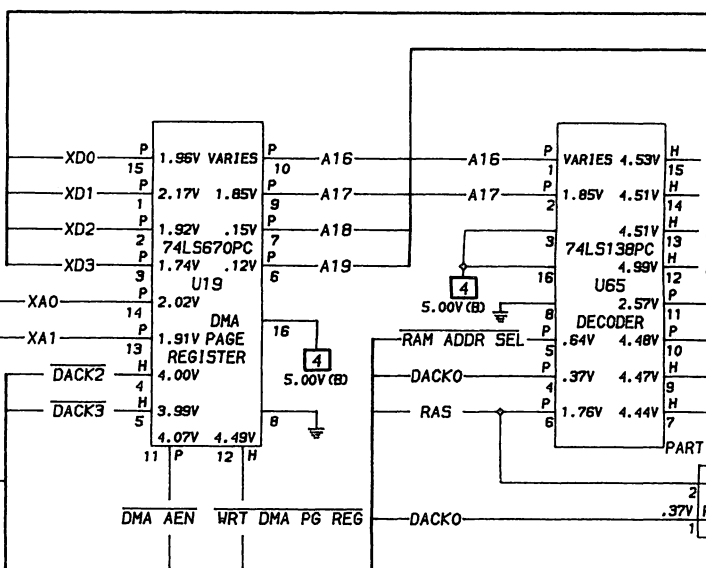
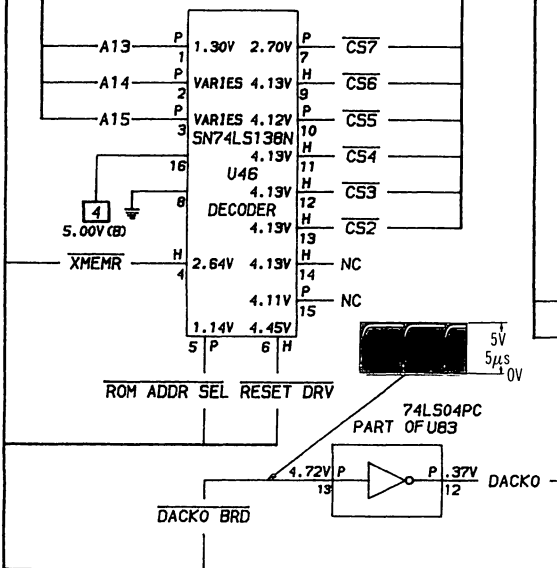
SEE SCHEMATIC NOTES BEFORE TAKING VOLTAGES, WAVEFORMS AND LOGIC PROBE READINGS.



SEE PINOUTS, TERMINAL GUIDES AND SCHEMATIC NOTES PAGES 10, 44, 51

LINE IDENTIFICATIONS ASSIGNED FOR REFERENCE

CABLING: HEAVY LINES REDUCE USE OF MULTIPLE LINES



A PHOTOFAC STANDARD NOTATION SCHEMATIC

WITH **CIRCUITRACE**

© Howard W. Sams & Co., Inc. 1984

SYSTEM BOARD

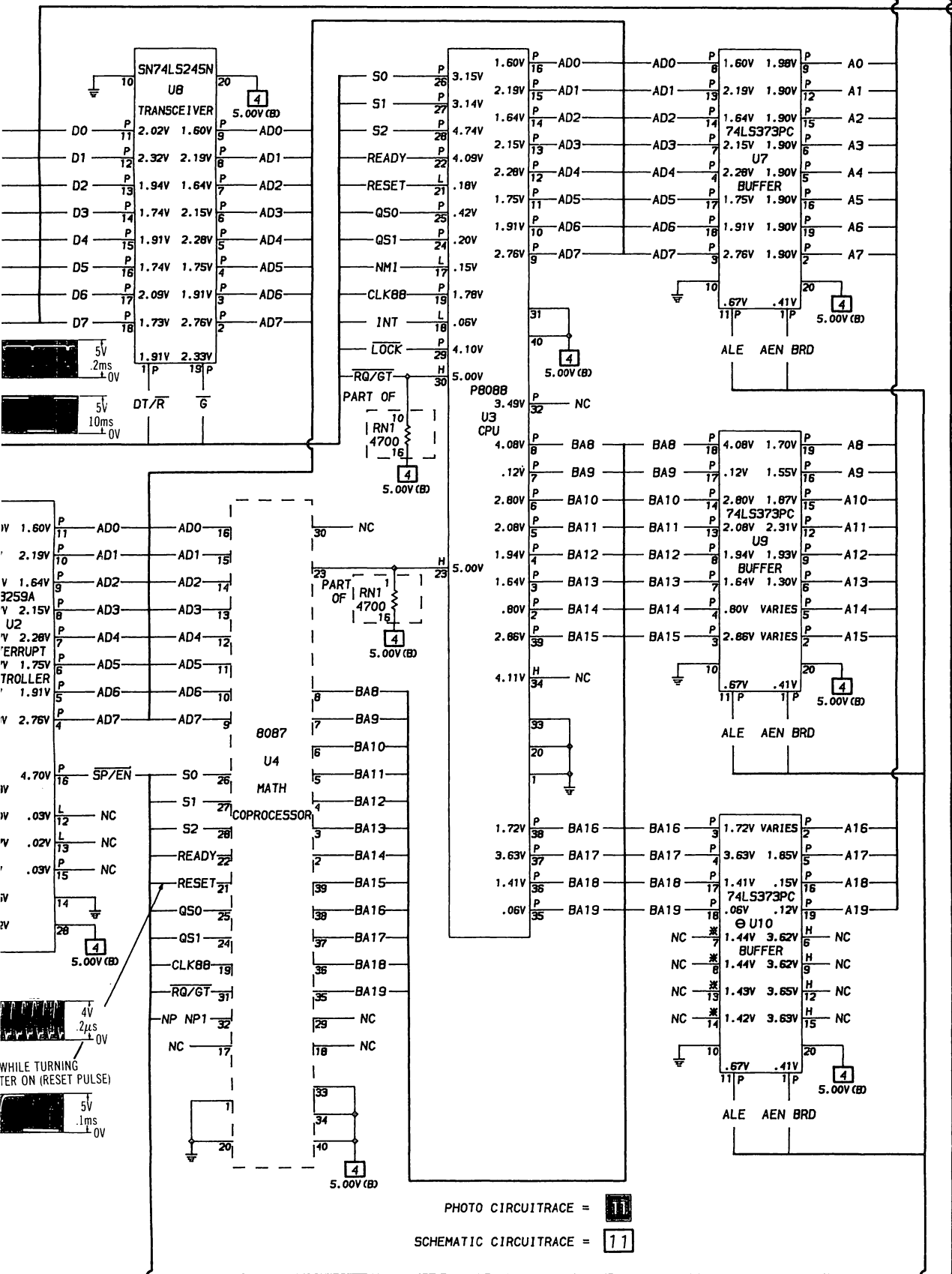
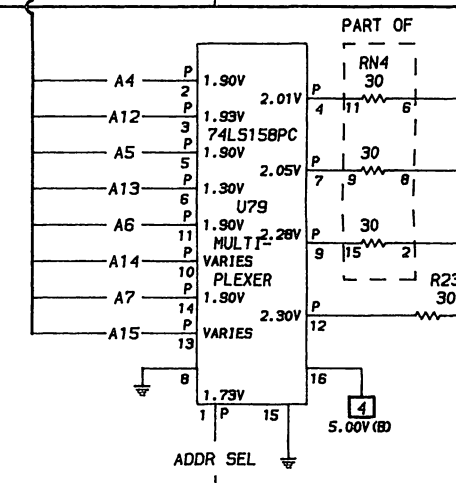
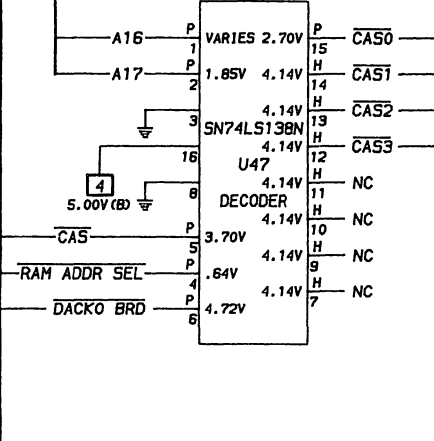
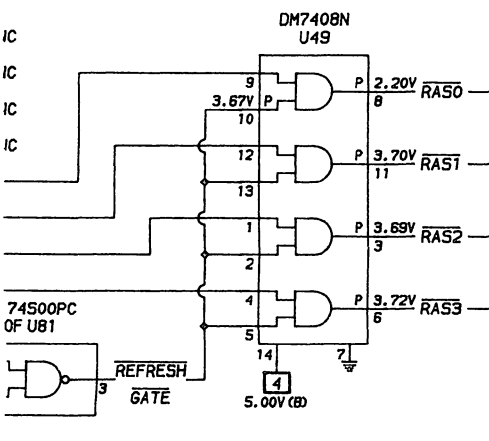
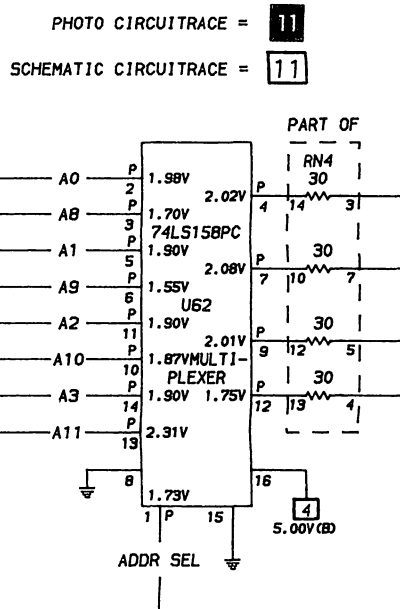
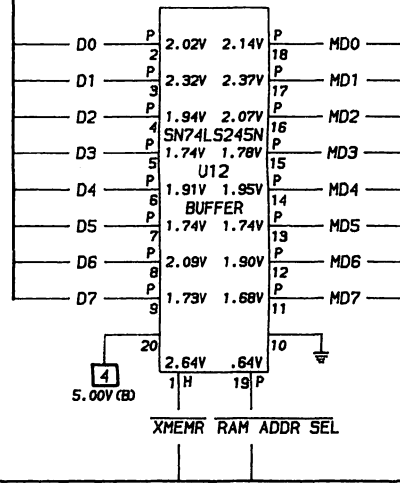
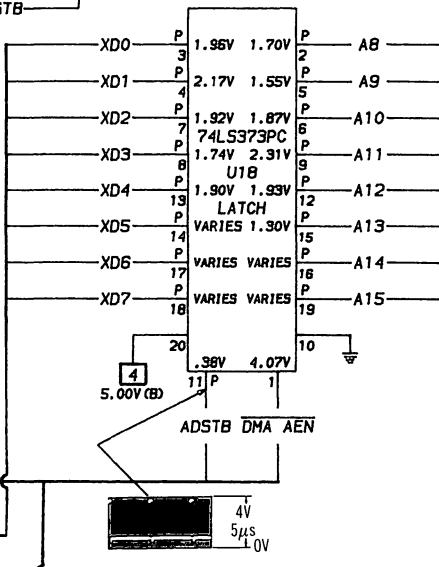
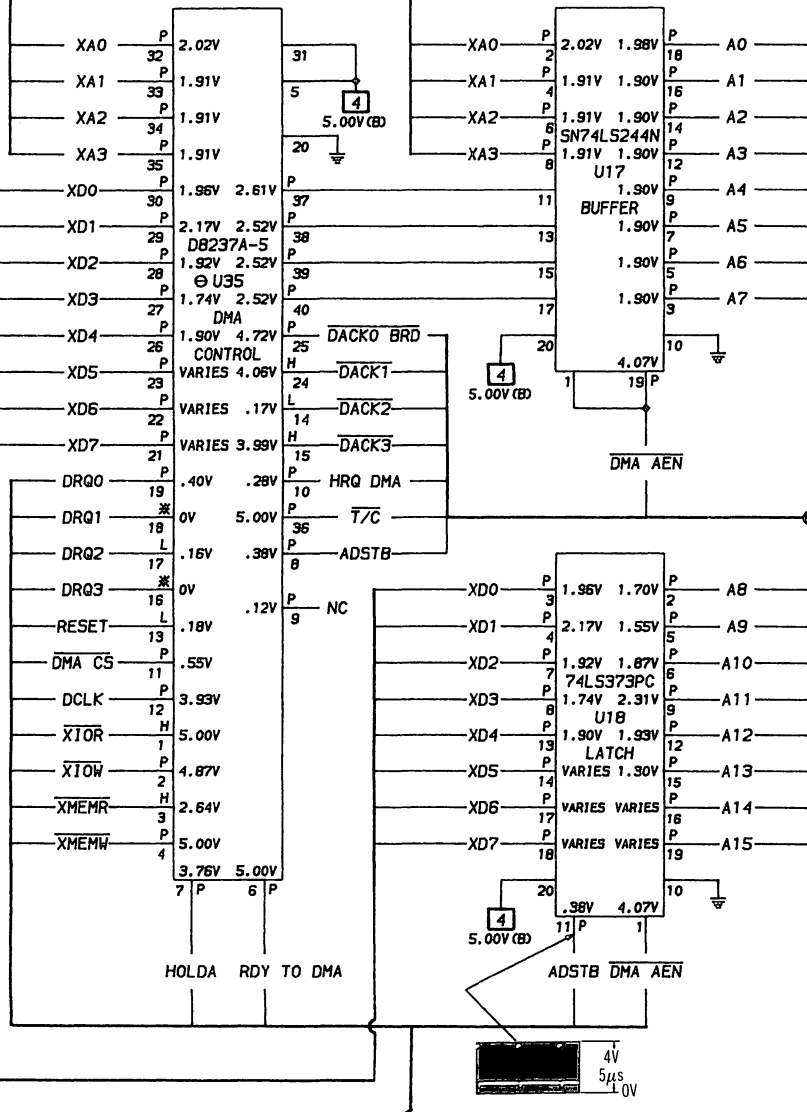


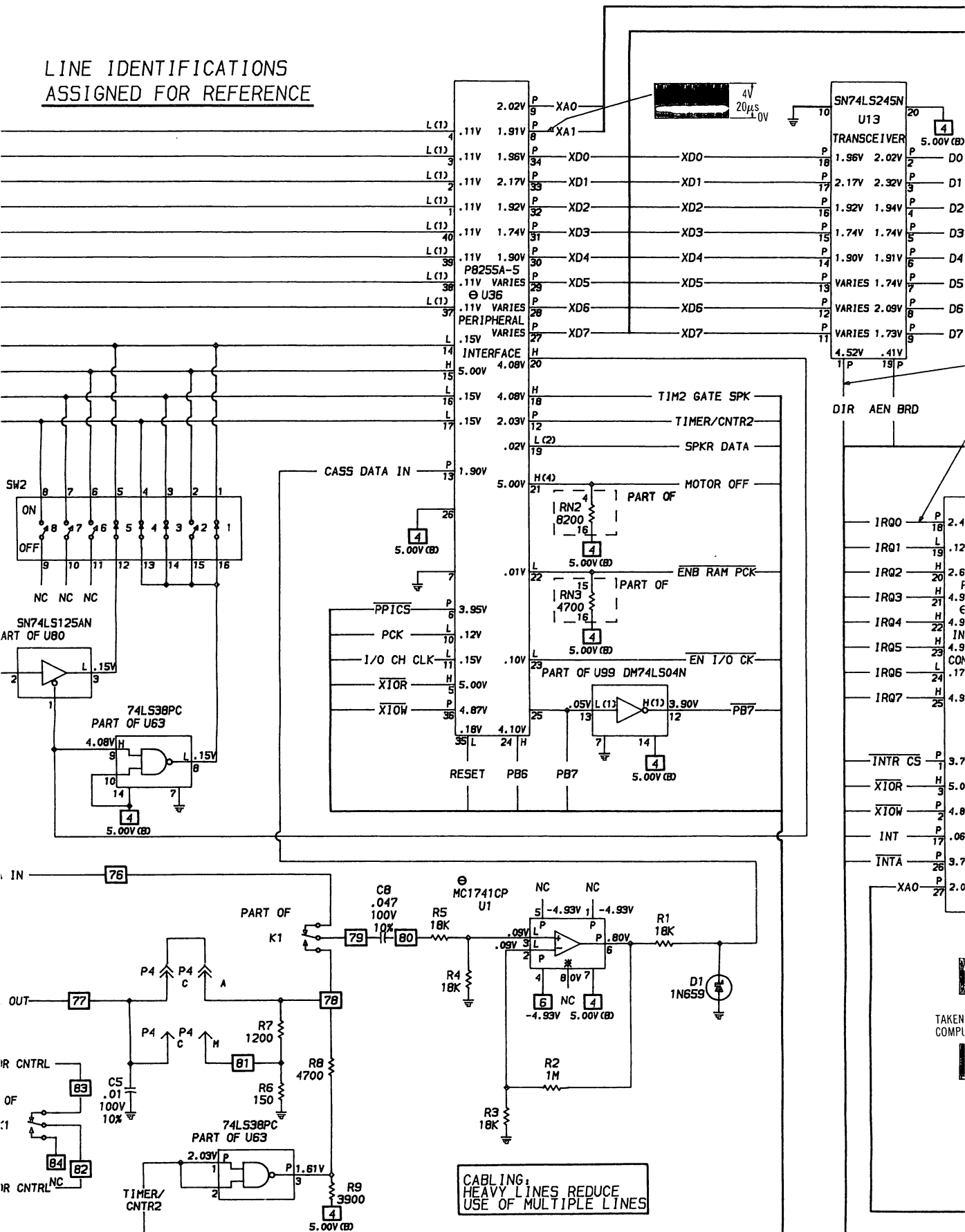
PHOTO CIRCUITRACE = 11

SCHEMATIC CIRCUITRACE = 11

ORE
MS
S



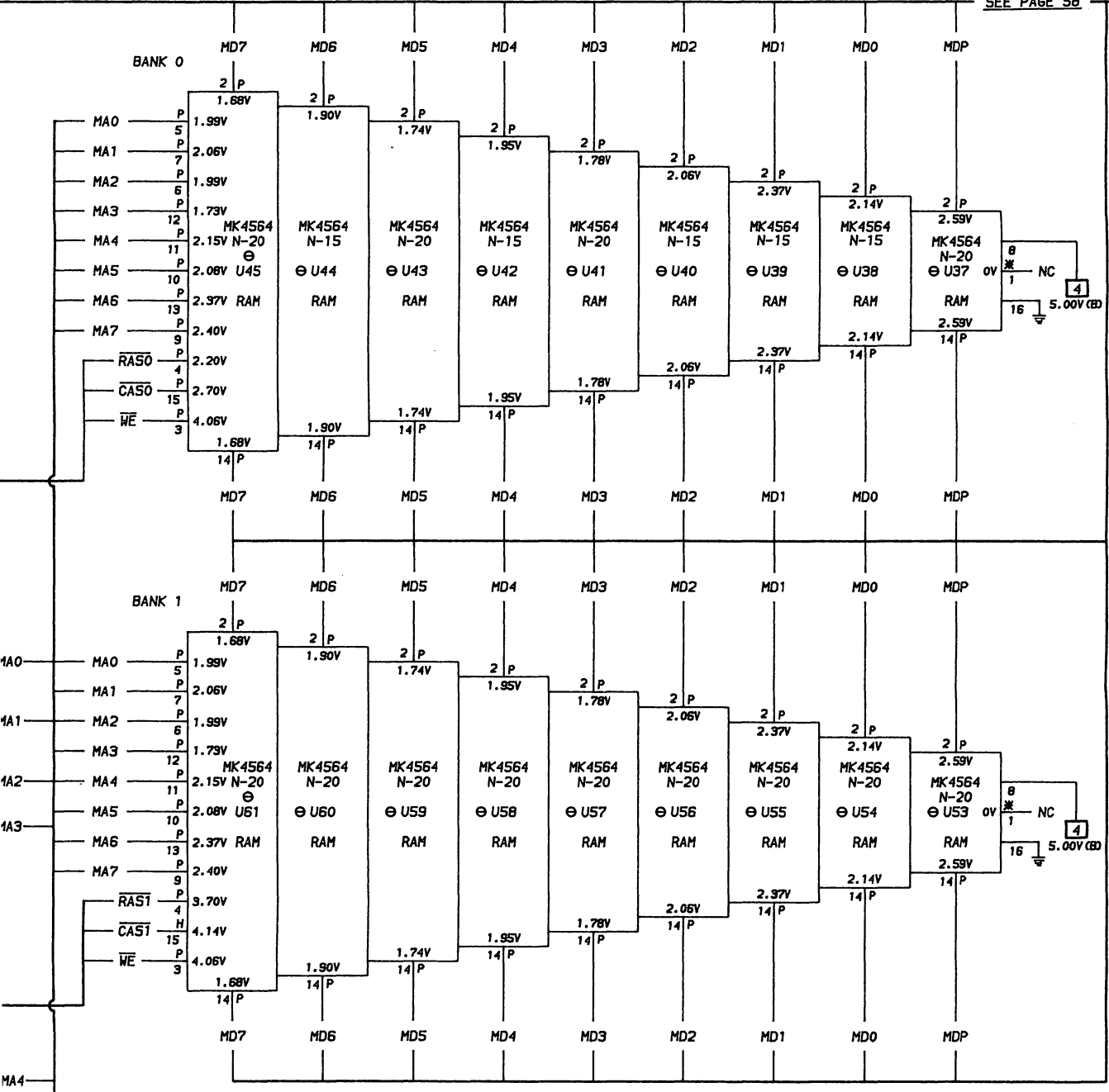
LINE IDENTIFICATIONS
ASSIGNED FOR REFERENCE



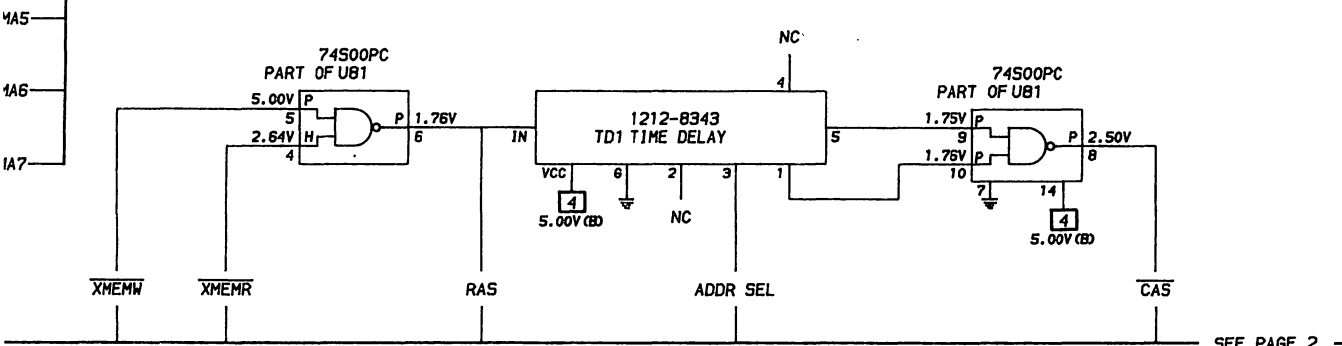
CABLING:
HEAVY LINES REDUCE
USE OF MULTIPLE LINES

TAKEN
COMPL

SEE PAGE 2 — A
 SEE PAGE 2 — B
 SEE PAGE 2 — C
 SEE PAGE 2 — D
 SEE PAGE 58 — E



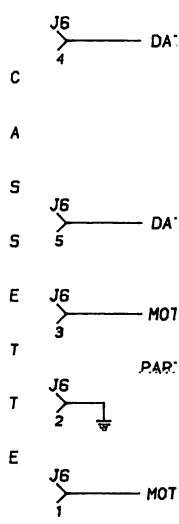
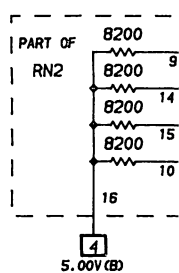
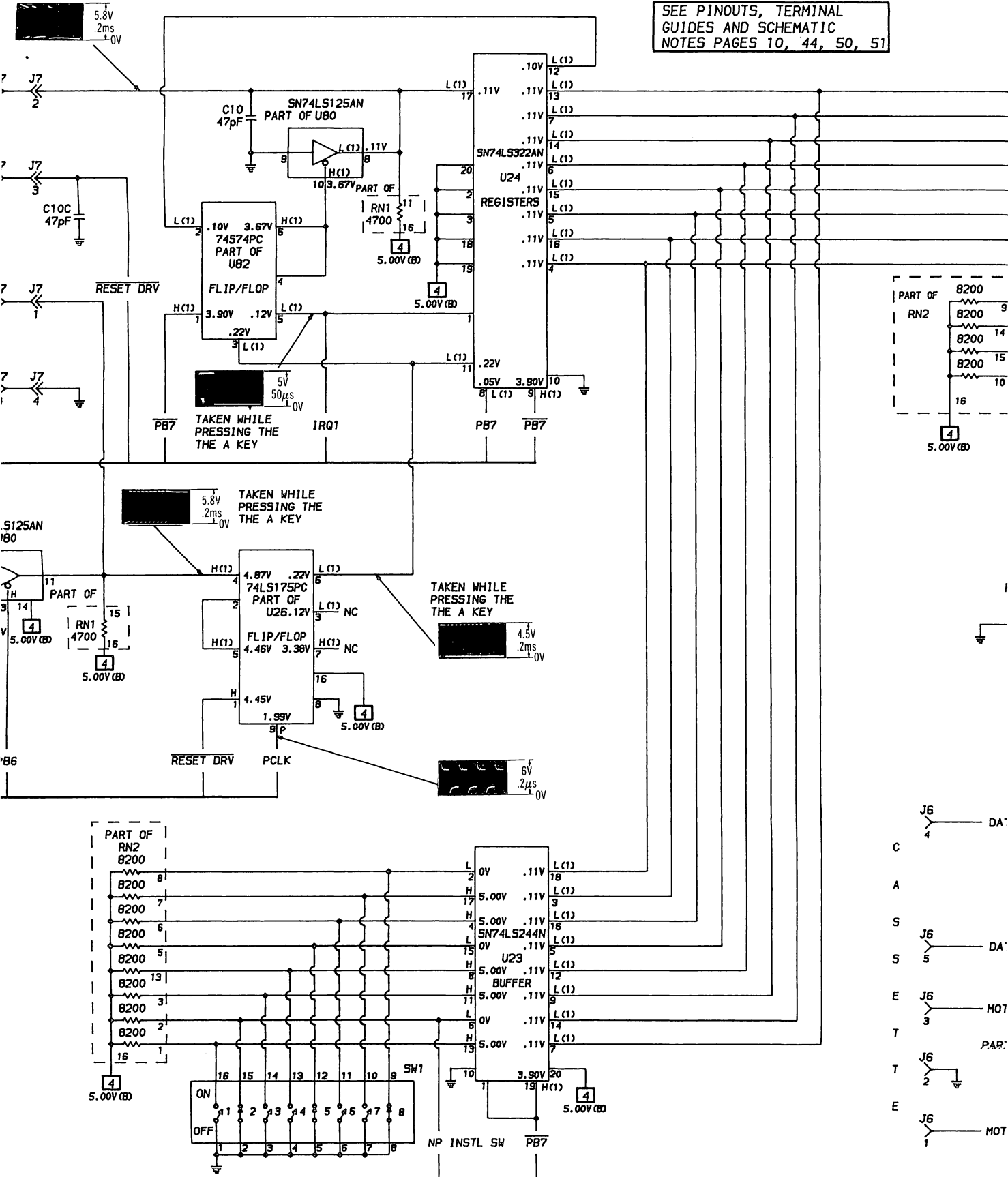
SEE PAGE 6 — F



SEE PAGE 2 — G

**IBM
 SYSTEM BOARD
 MODEL 5150**

SEE PINOUTS, TERMINAL GUIDES AND SCHEMATIC NOTES PAGES 10, 44, 50, 51



PRELIMINARY SERVICE CHECKS

This data provides the user with a time-saving service tool which is designed for quick isolation and repair of Computer system malfunctions.

Check all interconnecting cables for good connection and correct hook-up before making service checks.

Disconnect all external peripherals from the Computer system to eliminate possible external malfunctions.

Replacement or repair of the Power Supply, System Board, Keyboard, Color Graphic Monitor Adapter, Monochrome Monitor/Printer Adapter, Disk Drive Adapter, Printer Adapter, Disk Drives or connectors may be necessary after the malfunction has been isolated.

DISASSEMBLY INSTRUCTIONS

MAIN SYSTEM UNIT

Remove five screws from rear of cabinet. Slide cabinet forward and remove from unit.

POWER SUPPLY REMOVAL

Disconnect Connectors P8 and P9 from System Board and connectors P10 and P11 from Disk Drives. Remove four screws from rear of the Power Supply cabinet. Push Power Supply forward about 1/2 inch to clear mounting tabs on cabinet bottom and lift Power Supply from unit.

DISK DRIVE REMOVAL

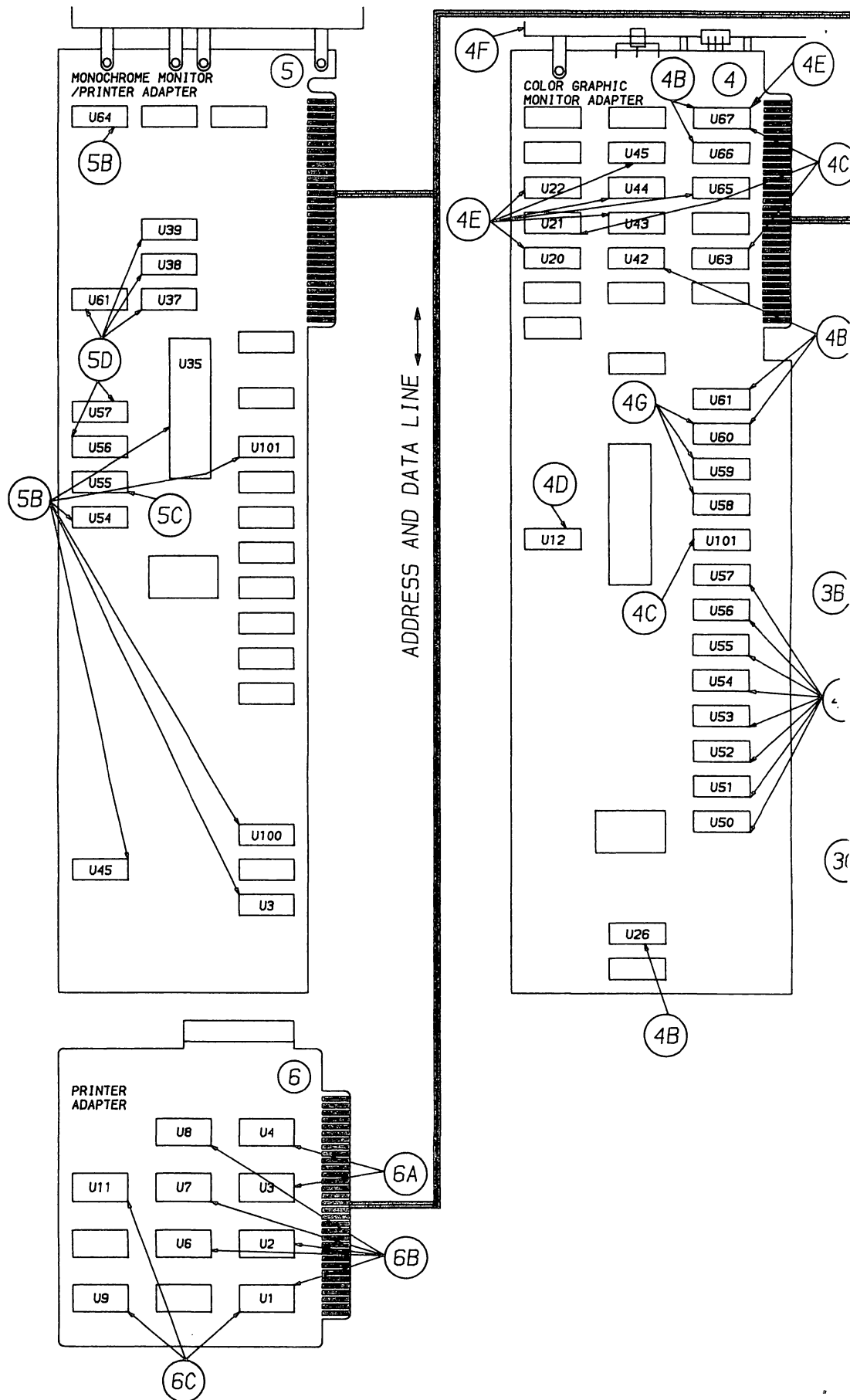
Disconnect two Disk Drive Adapter connectors, one from the rear of each Disk Drive. Disconnect Power Supply Connectors P10 and P11 from the rear of the Disk Drives. Remove two screws from the side of Disk Drive A and slide Disk Drive out the front of cabinet.

SYSTEM BOARD REMOVAL

Remove all Adapter boards from expansion slots. Disconnect Disk Drive connectors and Power Supply connectors from System Board. Disconnect speaker connectors. Remove two screws holding System Board to cabinet bottom. Slide System Board to the left to release plastic stand-offs from mounting slots on cabinet bottom. Lift system board from unit.

KEYBOARD

Lay Keyboard facedown and remove two screws holding lower case. Lift lower case up and out of front retaining slots. Keyboard assembly may now be removed from upper case. **NOTE: Do Not** attempt to disassemble Keyboard switch assembly. The key caps may be removed one at a time, by lifting up on the cap from the top of the Keyboard.



INTERCONNECTING DIAGRAM

PRELIMINARY SERVICE CHECKS (Continued)

GENERAL OPERATING INSTRUCTIONS

POWER ON TEST

A Power On test is automatically performed each time the Computer is turned On. Several diagnostic tests are performed and if a problem is detected, an error code will be momentarily displayed on the Monitor screen. For an explanation of the various error codes, see the "Computer Self-Test" section of the General Operating Instructions.

BOOT UP

Insert a bootable diskette into Disk Drive A and turn On the Computer. The Computer will automatically boot up using the diskette in Disk Drive A. If a PC DOS (Personal Computer Disk Operating System) diskette is used, the Computer will display the date and time and ask for a new date and time. After the date and time have been entered, the version of DOS will be displayed on the Monitor screen along with an A> which indicates the DOS is running.

PC DOS

For a list of file names on the diskette in the current Disk Drive, type DIR and press the ENTER key. To specify Disk Drive that is not current (default), use DIR A: for Disk Drive A or DIR B: for Disk Drive B.

To return to PC DOS from Basic, type SYSTEM and press the ENTER key.

To load a (System) program from a diskette while in DOS, type the program name and press the ENTER key.

A blank diskette must be formatted before it can be used to save information which is in memory. A formatted diskette must contain a DOS or a Start-up program before the Computer will boot up using that diskette.

Insert a diskette containing a "Format Program" into Disk Drive A. Type FORMAT and press the ENTER key. Follow the instructions on the Monitor screen to format the unformatted diskette. NOTE: Formatting a diskette will wipe out any programs previously placed on the diskette. The Computer automatically defaults to Disk Drive A if the destination Disk Drive is not specified. Be sure to specify the destination Disk Drive of the diskette to be formatted or the original diskette may be ruined by the default action.

BASIC

When turned On, the Computer will come up in Cassette (ROM) Basic if there is not a bootable DOS diskette in Disk

Drive A. The version of Basic and memory available will appear at the top of the screen. For additional information on Cassette I/O operations see the "Cassette Operation" section of the General Operating Instructions.

The manufacturer also supplies Disk Basic as well as Advanced Disk Basic on diskette. To load either Disk Basic, first boot up DOS. Insert a diskette with Disk Basic or Advanced Disk Basic program on it. Type BASIC and press the RETURN key to load disk Basic or type BASICA and press the ENTER key to load Advanced Disk Basic. To return to DOS from Basic, type SYSTEM and press the ENTER key.

To view a list and the names of programs on a diskette in the current Drive, type FILES and press the ENTER key. Type FILES "B: *.*" and press the ENTER key to list programs from Disk Drive B. Type FILES "A: *.*" to list programs from Disk Drive A if it is not the current (default) drive.

To load a program in Disk Basic or Advanced Disk Basic from the diskette, type LOAD, the program name enclosed in quotes, and press the ENTER key.

To save a program, type SAVE, the program name enclosed in quotes and press the ENTER key.

To run a program from any Basic mode, type RUN and press the ENTER key. To stop a program, press the CTRL and BREAK (SCROLL LOCK) keys at the same time. NOTE: Some programs will disable or not recognize the CTRL and BREAK keys to prevent the user stopping the program while it is running.

RESETTING COMPUTER

Press the CTRL, ALT, and DEL keys, all three at the same time, to reset the Computer.

CASSETTE OPERATION

To load a program from tape while in Cassette (ROM) Basic, type LOAD, the program name enclosed in quotes and press the ENTER key.

To save a program, type SAVE, the program name enclosed in quotes and press the ENTER key.

To load or save a program from and to tape while in any Disk Basic, type LOAD or SAVE. Then, enclosed in quotes, type CAS1: and the program name, and press the ENTER key. Example: SAVE "CAS1: program name"



PRELIMINARY SERVICE CHECKS (Continued)

GENERAL OPERATING INSTRUCTIONS (Continued)

COMPUTER SELF-TEST

The Computer performs a self-test every time it is turned On. If no problems are detected, the Computer will beep once and (if there is no diskette in the Disk Drive) come up in Cassette (ROM) Basic.

If a problem is detected various audio beeps may occur and/or an error code number may appear on the Monitor screen. Use the following charts to determine the area of the problem.

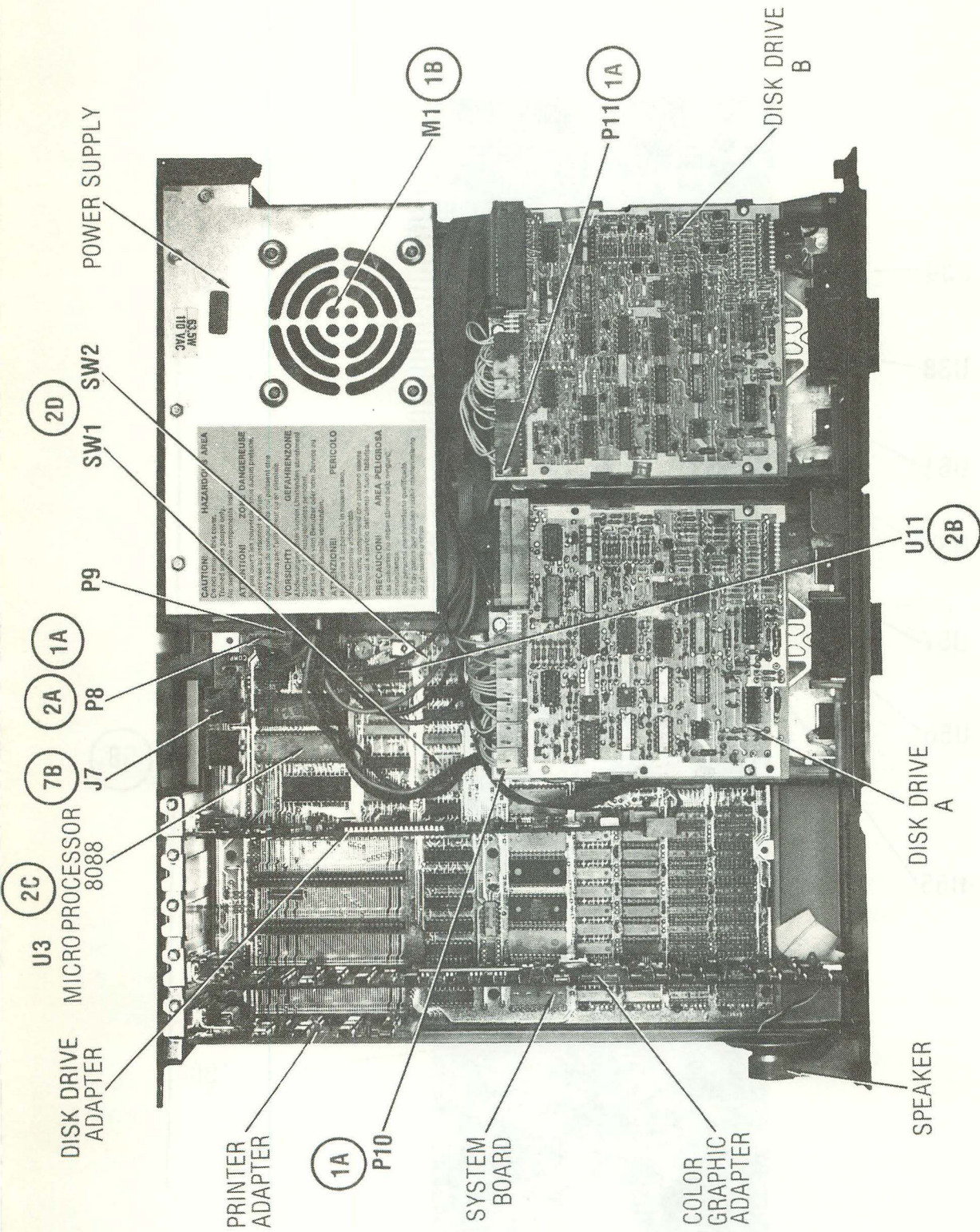
AUDIO	AREA OF PROBLEM
No beep or display.	Power Supply
Beeps continuously.	Power Supply
Repeated short beeps.	System Board
One long and one short beep	System Board
One long and two short beeps	Monochrome Monitor/Printer Adapter or Color Graphic Monitor Adapter
One short beep and improper or blank display	Monochrome Monitor/Printer Adapter or Color Graphic Monitor Adapter
One short beep and Basic statement on Monitor screen, with bootable diskette in Disk Drive and door closed.	Disk Drive Adapter

ERROR CODE	AREA OF PROBLEM
02X	Power Supply
1XX	System Board
20X or XX20X or XXXX	Memory
30X or XX30X	Keyboard
4XX	Monochrome Monitor/Printer Adapter
5XX	Color Graphic Monitor Adapter
6XX	Disk Drive
7XX	Math Coprocessor
9XX	Printer Adapter
11XX	Asynchronous Communication (RS232C)
12XX	Alternate Asynchronous Communication
13XX	Game Controller Adapter
14XX	Printer Adapter
15XX	Synchronous Data Link Control (SDLC) Communication Adapter
17XX	Hard (Fixed) Disk Drive
18XX	Expansion Unit
20XX	Binary Synchronous Communications (BSC) Adapter
21XX	Alternate BSC Adapter

X = Any number

NOTE: The device tested good if the last two digits of the error code are zeros.

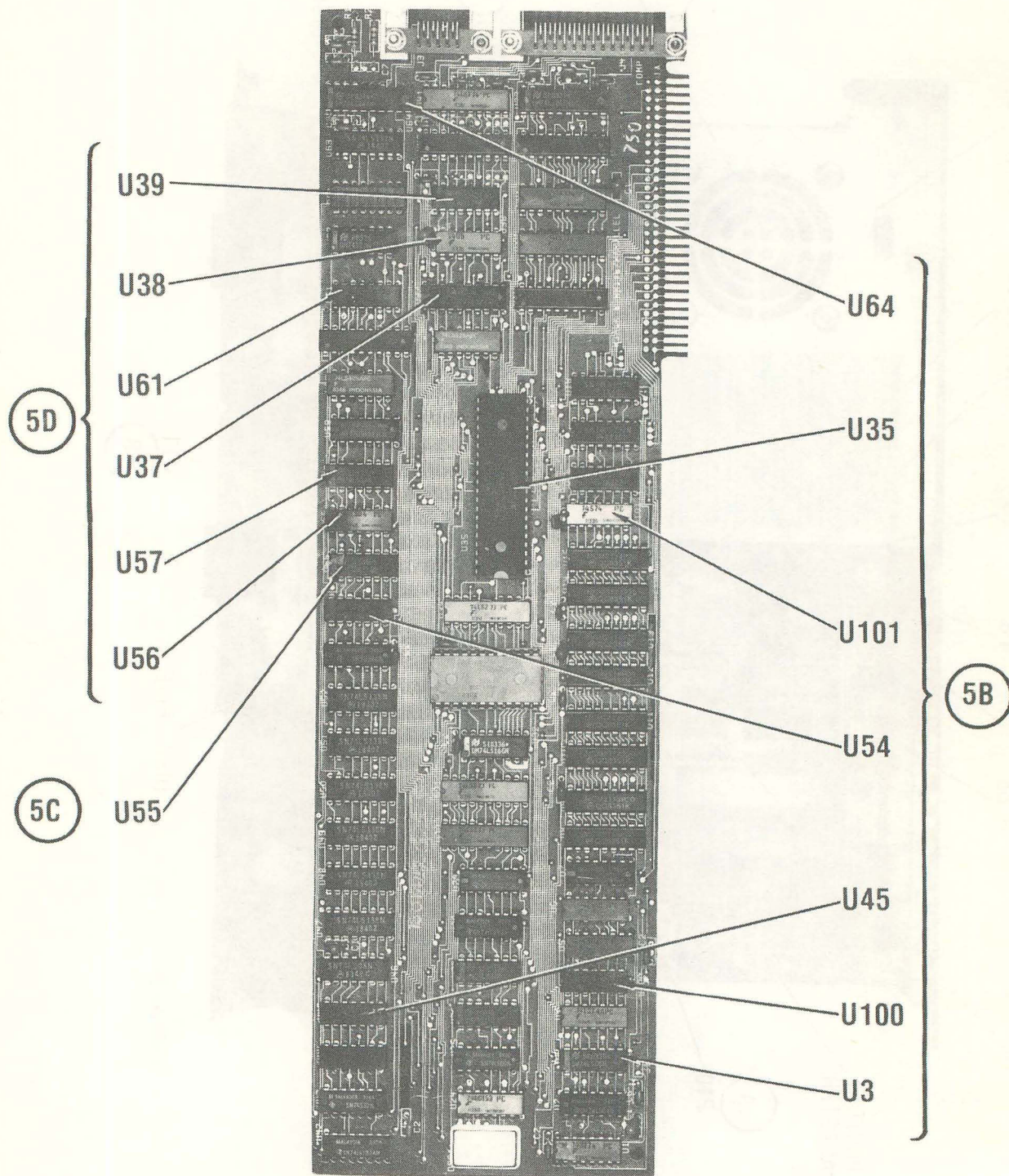
PRELIMINARY SERVICE CHECKS (Continued)



CSCS2
 IBM
 MODEL 5150

SYSTEM BOARD

PRELIMINARY SERVICE CHECKS (Continued)



PRELIMINARY SERVICE CHECKS (Continued)

SERVICE CHECKS

SEE INTERCONNECTING DIAGRAM, PLACEMENT CHART, AND PHOTOS TO MATCH THE NUMBER IN THE CIRCLES WITH THOSE IN THE FOLLOWING DATA FOR SERVICE CHECKS TO BE PERFORMED.

1. POWER SUPPLY

- (1) Power Supply shuts down. Disconnect Plugs P8, P9, P10 and P11. Turn Power Supply On and check for 5V at pin 1, 12V at pin 3, and -12V at pin 4 of Plug P8. Check for -5V at pin 3 and 5V at pins 4, 5, and 6 of Plug P9. Also check for 12V at pin 1 and 5V at pin 4 of Plugs P10 and P11. If any supply voltage is missing, check the Fuse (F1) inside the Power Supply. If open, replace fuse and turn Power Supply On. If fuse continues to blow, replace the Power Supply.
- (B) Power Supply shuts down after warm-up. Check that the Cooling Fan (M1) is running properly. If fan does not run correctly, replace fan. If problem recurs, replace Power supply.

2. SYSTEM BOARD

- (A) Computer does not turn On and there is no sound from the speaker. Check for 5V at pin 1 of Plug P8. A normal reading indicates that the Power Supply is operating properly.
- (B) Check for 5V at pin 18 of the Clock Generator IC (U11) and use a frequency counter to check for frequency of 14.31818MHz at pins 16 and 17 of IC U11. Also, check for the clock signal frequency of 4.77272MHz at pin 8 of IC U11. If the clock signal is missing, check IC U11 by substitution.
- (C) Check for 5V at pins 31 and 40 of the Microprocessor IC (U3). Use a frequency counter to check for the clock signal of 4.77272MHz at pin 19 of IC U3. If the clock signal is missing, check Clock Generator IC (U11) and IC U3 by substitution.
- (D) Check the settings of Switch Block 1 (SW1) and Switch Block 2 (SW2). These settings are determined by the hardware connected to the Computer and the size of memory used with the system.
- (E) If the Computer comes up and displays a parity failure message, check the code number that appears momentarily and locate which bank and which IC is causing the memory failure.

Except for the Basic Input Output System (BIOS) ROM IC (U33), the self-test (that is built into the computer) checks the RAM and ROMS automatically when the unit is turned On and momentarily displays an error code on the monitor screen if a defective IC is found.

When a RAM failure occurs, an alphanumeric code will be momentarily displayed at the top left corner of the monitor screen. This code will be four characters followed by 201. The number 201 indicates it is a memory failure. The first two characters indicate which bank has the bad IC. The third and fourth characters indicate which row in that bank is defective. The RAM bank that is soldered in is Bank 0. Use the following charts to find the defective IC.

First Two Characters

	16K/64K System Board	64K/256K System Board
Bank 0	00	00
Bank 1	04	10
Bank 2	08	20
Bank 3	0C	30

Third and Fourth Characters

Row	Parity	0	1	2	3	4	5	6	7
Characters	00	01	02	04	08	10	20	40	80

Example: 1020 201 would be bank 1 row 5, IC (U59) on the 64K/256K system board.

If the third and fourth characters do not match those given in the chart, substitute the entire nine ICs of that bank and recheck the memory. If an error code still appears, troubleshoot the RAM address decode and chip select circuits.

When a ROM failure occurs on the 64K/256K System Board a four character alphanumeric code will appear on the monitor screen. Use the following chart to determine which IC is indicated and check the IC by substitution.

ROM CODE CHART

CODE	DEVICE
F600	U29
F800	U30
FA00	U31
FC00	U32

ROM IC U33 is not checked since it contains the test program. If IC U33 does not appear to be functioning, check it by substitution. If IC U33 still does not function, check for pulses at pin 20 of IC U33. If the pulses are missing, check the logic probe readings on pins 1 thru 6 of Decoder IC (U46). If the readings are normal, check IC U46 by substitution.

PRELIMINARY SERVICE CHECKS (Continued)

SERVICE CHECKS (Continued)

3. DISK DRIVE ADAPTER

Be certain that each Disk Drive is good before troubleshooting the Disk Drive Adapter. If Drive A does not boot, unplug the data cable from Drive A and plug it into Drive B. Reset the Computer and boot using Disk Drive B. If Drive B operates normally, the problem is in Drive A. If Drive B does not boot, check the power supply sources at the power supply plug. If the sources are normal, troubleshoot the Disk Drive Adapter.

- (A) When the indicator lights of both Disk Drives A and B turn on at the same time, make sure the data cable is correctly plugged into the Adapter edge connectors and check ICs U16 and U17 by substitution.
- (B) When a Seek Error message appears on the Monitor screen, it indicates a track is unreadable or a head alignment malfunction has occurred on one or both Disk Drives. Check ICs U4, U6 and U18 by substitution.
- (C) When a Disk Drive damages data on a write protected diskette, check ICs U6, U11, U10 and U18 by substitution.
- (D) If unable to read data on either Disk Drive, check ICs U6, U7, U9, U18, U22, U23, U25 and U26 by substitution.

3.1 DISK DRIVE

- (A) When information is not received into memory even though the Disk Drive indicator light is lit, check to see that the drive motor is running. Also, check the speed and adjust Speed Adjust Control (R4A) if the speed is not correct. If the drive belt is loose, change the belt.
- (B) Disk Drive does not read or boot a DOS diskette. Use an Alignment Diskette and check the 0 Track Adjustment. Unplug the data cable from Drive A and plug it into Drive B. Boot the DOS diskette using Drive B and if Drive operates normally, troubleshoot or replace Disk Drive A.
- (C) Disk Drive is intermittent. Use a Head Cleaning Diskette to clean the heads. Also, check the speed and the alignment of the drive mechanism.
- (D) If the Disk Drive writes or erases information on a diskette even when the diskette is write protected, change the Disk Drive board of that Drive. NOTE: Use only back-up copies of original diskettes in a Drive with this problem, because the information on the diskette may be lost.

4. COLOR GRAPHICS MONITOR ADAPTER

- (A) If there is no Cursor on the screen, check the setting of switches 5 and 6 of Switch Block 1 (SW1) on the System Board. Set switches according to the type of Monitor (Color or Monochrome) and number of Monitors connected to the Computer.
- (B) System shuts down when the Color Graphic Monitor Adapter is installed. Check ICs U26, U42, U60, U61, U66 and U67 by substitution.
- (C) No horizontal or vertical sync. Check ICs U21, U63, U67 and U101 by substitution.
- (D) If the Cursor is missing or not blinking, check IC U12 by substitution.
- (E) For fading color or wrong color, check ICs U20, U22, U43, U44, U45, U65 and U67 by substitution.
- (F) Some units are using earlier production of Color Graphic Monitor Adapters which require connecting the bracket directly to the chassis ground.
- (G) For RAM Data Out, check ICs U50 thru U60 by substitution.

5. MONOCHROME MONITOR/PRINTER ADAPTER

- (A) If there is no Cursor on the screen, check the setting of switches 5 and 6 of Switch Block 1 (SW1) on the System Board. Set switches according to the type of Monitor (Color or Monochrome) and number of Monitors connected to the Computer.
- (B) System shuts down when Monochrome Monitor/Printer Adapter is installed. Check ICs U3, U35, U45, U54, U64, U100 and U101 by substitution.
- (C) If the Cursor is missing or not blinking, check IC U55 by substitution.
- (D) Printer does not print any information. Check ICs U37, U38, U39, U56, U57 and U61 by substitution.

6. PRINTER ADAPTER

- (A) Printer types random characters (garbage). Check ICs U3 and U4 by substitution.
- (B) Printer does not print. Check ICs U1, U2, U6, U7 and U8 by substitution.
- (C) System shuts down when Printer Adapter is installed. Check ICs U1, U9 and U11 by substitution.

PRELIMINARY SERVICE CHECKS (Continued)

SERVICE CHECKS (Continued)

- 7. KEYBOARD**
- (A) Keyboard does not function. Disconnect it from Computer and check the cable for continuity. If the cable is open, replace it. If cable is good, see step (B).
- (B) Connect the Keyboard to the System Board. Check for 5V at pins 26 and 40 of Microcomputer IC (M1) on the Keyboard. If the readings check less than 3V, replace the Keyboard.
- (C) If one of the keys does not function, replace the Keyboard.
- (D) If many characters are printed when only one key is pressed, replace the Keyboard.

U8	MCM2114P20 2114L
U9	MCM2114P20 2114L
U11	MCM2114P20 2114L
U35	MC6845P MC6845
U37	SN74LS 240N
U38	7405PC
U39	DM74LS174N
U45	74LS74APC
U54	DM74S86N
U55	DM74LS174N
U56	74LS04PC
U57	DM74LS02N
U61	74LS155PC
U64	DM74LS244N
U100	74LS32N
U101	74LS74PC

TEST EQUIPMENT AND TOOLS

TEST EQUIPMENT

Digital Volt/Ohm Meter
Frequency Counter

TOOLS

Soldering Iron
Desoldering Equipment
Alignment Diskette
Head Cleaning Diskette and Equipment

REPLACEMENT PARTS

F1 Fuse (2A @250V Slow-Blow)
M1 Fan, Cooling
SW1 Switch Block 1
SW2 Switch Block 2, RAM Select
Belt, Disk Drive (Part No. 8529154)

Part Numbers obtained from the IBM
Hardware Maintenance and Service Manual
(Part Number 6025072)
Courtesy of IBM

IC TYPE NO.

SYSTEM BOARD

U3 P8088
U11 UPB8284AD

KEYBOARD

M1 8340X7

MONOCHROME MONITOR /PRINTER ADAPTER

U1 74LS74APC
U2 SN74LS04N
U3 DM74LS08N
U4 74LS74APC
U6 74LS10PC
U7 SN74LS139AN

COLOR GRAPHIC MONITOR ADAPTER

U12 74LS393PC
U20 SN74LS04N
U21 DM74LS174N
U22 74LS51PC
U26 DM74S04N
U42 74LS86PC
U43 74S74PC
U44 74S74PC
U45 DM74LS151N
U50 MK4516N-12
thru 2118-4
U57
U58 74LS374PC
thru
U61
U63 DM74LS175N
U65 74LS02PC
U66 SN74LS245N
U67 SN74LS244N
U101 SN74S174N

DISK DRIVE ADAPTER /DISK DRIVE (A & B) TYPE 1

U4 74LS08PC
U6 D765AC
UPD765
U7 MC3487P
MC3487
U9 DM7438N
U10 74LS153PC
U11 SN74LS175N
U16 DM7438N
7438-4
U17 74LS273PC
U18 DM74LS240N
U22 SN74LS112AN
U23 74LS161APC
U25 SN74LS112AN
U26 SN74LS02N

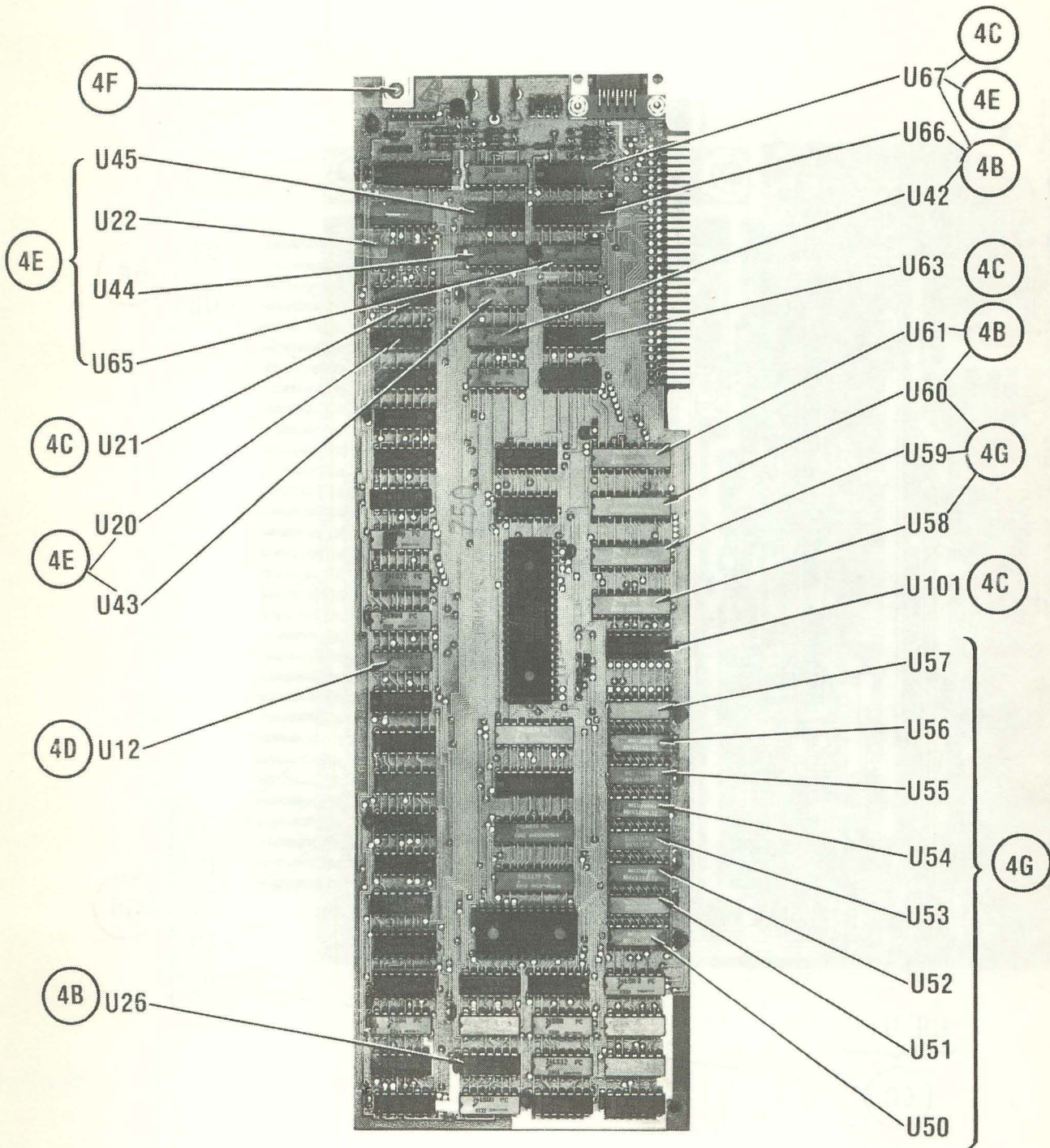
IBM
MODEL 5150

PRELIMINARY SERVICE CHECKS (Continued)

SAFETY PRECAUTIONS

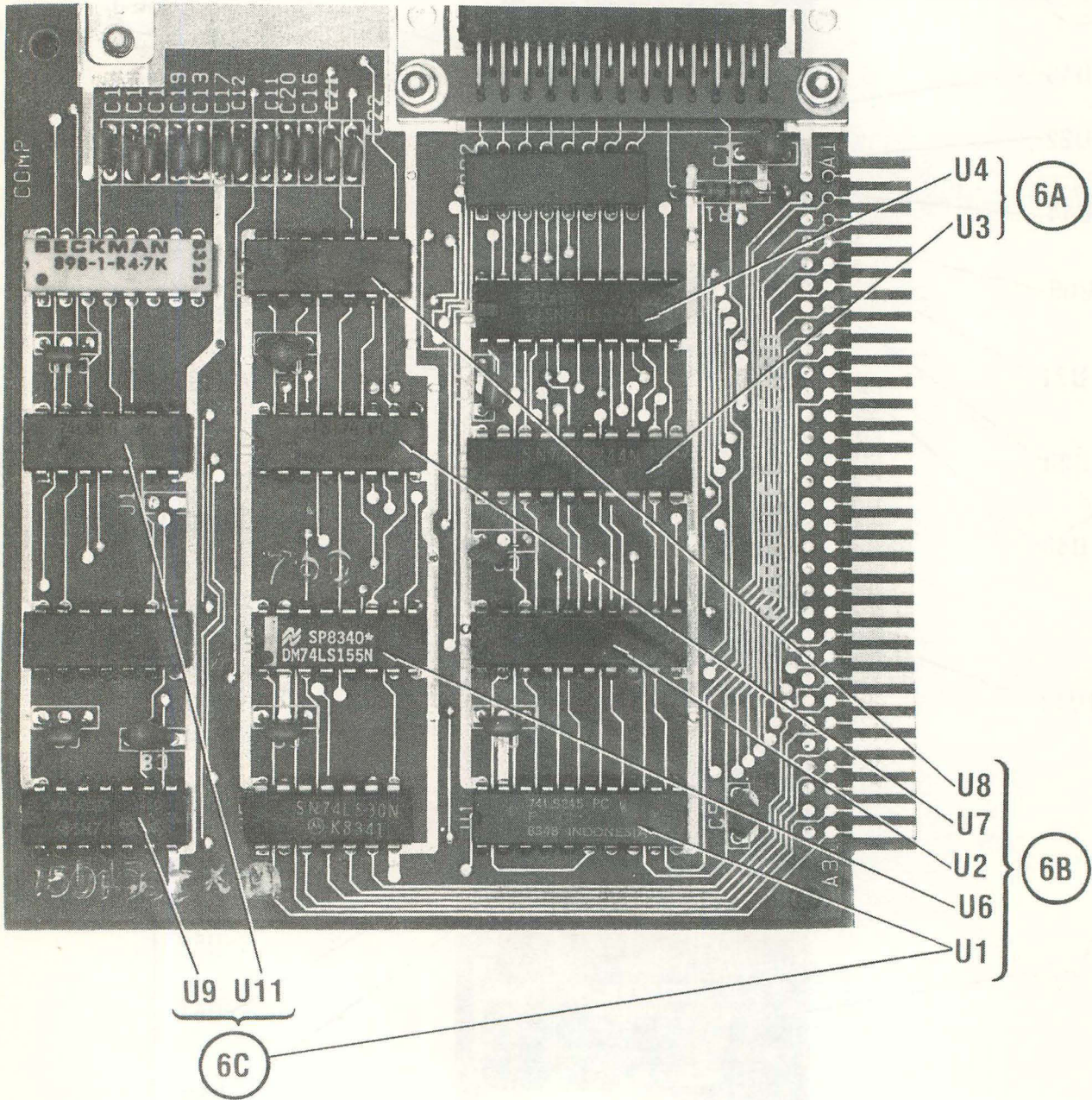
1. Use an isolation transformer for servicing.
2. Maintain AC line voltage at rated input.
3. Remove AC power from the computer system before servicing or installing electrostatically sensitive devices. Examples of typical ES devices are integrated circuits and semiconductor "chip" components.
4. Use extreme caution when handling the printed circuit boards. Some semiconductor devices can be damaged easily by static electricity. Drain off any electrostatic charge on your body by touching a known earth ground. Wear a commercially available discharging wrist strap device. This should be removed prior to applying power to the unit under test.
5. Use a grounded-tip, low voltage soldering iron.
6. Use an isolation (times 10) probe on scope.
7. Do not remove or install boards, floppy disk drives, printers, or other peripherals with computer system AC power On.
8. Do not use freon-propelled sprays. These can generate electrical charges sufficient to damage semiconductor devices.
9. This computer system is equipped with a grounded three-pronged AC plug. This plug must fit into a grounded AC power outlet. Do not defeat the AC plug safety feature.
10. Periodically examine the AC power cord for damaged or cracked insulation.
11. The computer system cabinet is equipped with vents to prevent heat build-up. Never block, cover, or obstruct these vents.
12. Instructions should be given, especially to children, that objects should not be dropped or pushed into the vents of the cabinet. This could cause shock or equipment damage.
13. Never expose the computer system to water. If exposed to water turn the unit off. Do not place the computer system near possible water sources.
14. Never leave the computer system unattended or plugged into the AC outlet for long periods of time. Remove AC plug from AC outlet during lightning storms.
15. Do not allow anything to rest on AC power cord.
16. Unplug AC power cord from outlet before cleaning computer system.
17. Never use liquids or aerosols directly on the computer system. Spray on cloth and then apply to the computer system cabinet. Make sure the computer system is disconnected from the AC power line.

PRELIMINARY SERVICE CHECKS (Continued)

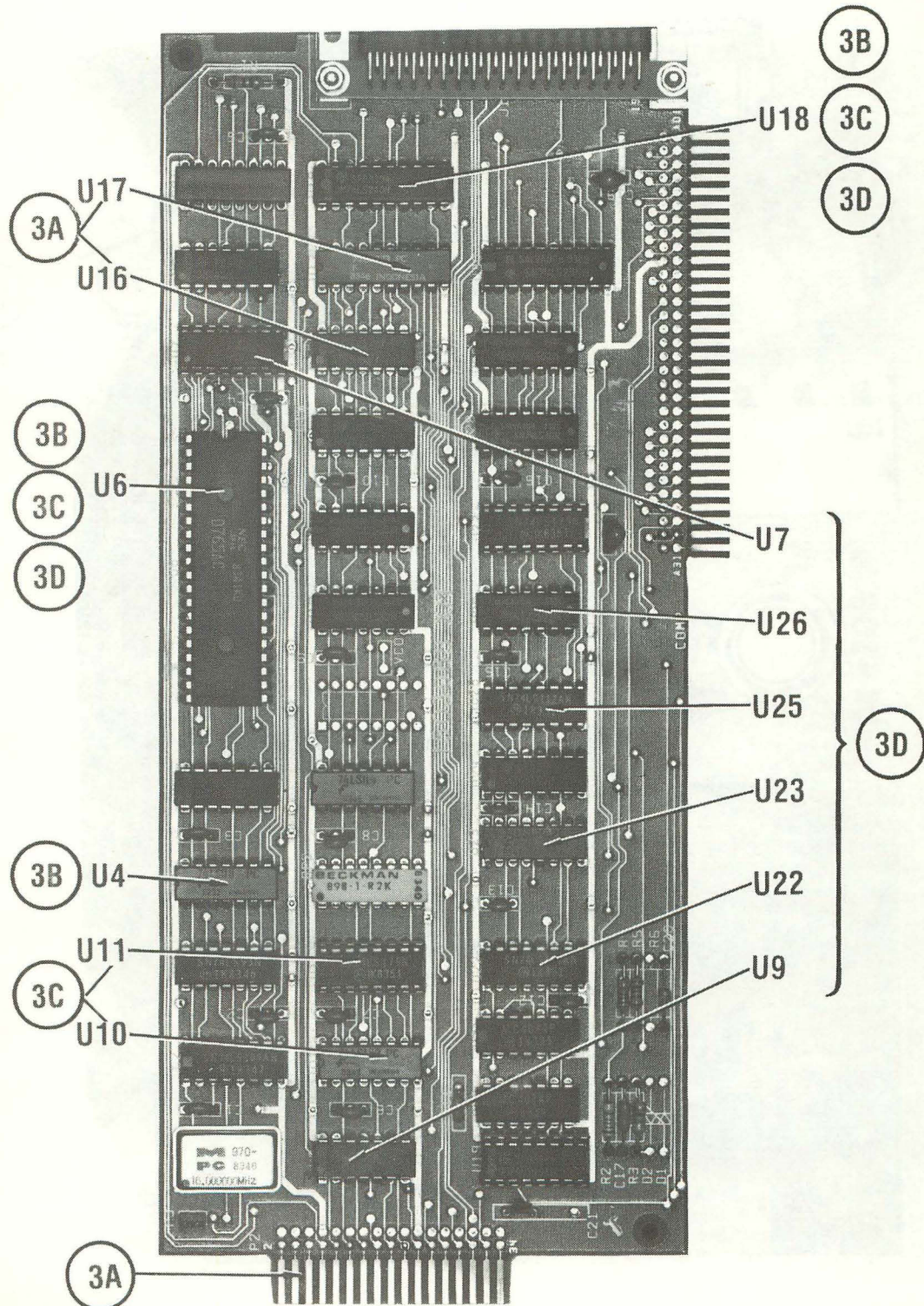


IBM
MODEL 5150

PRELIMINARY SERVICE CHECKS (Continued)

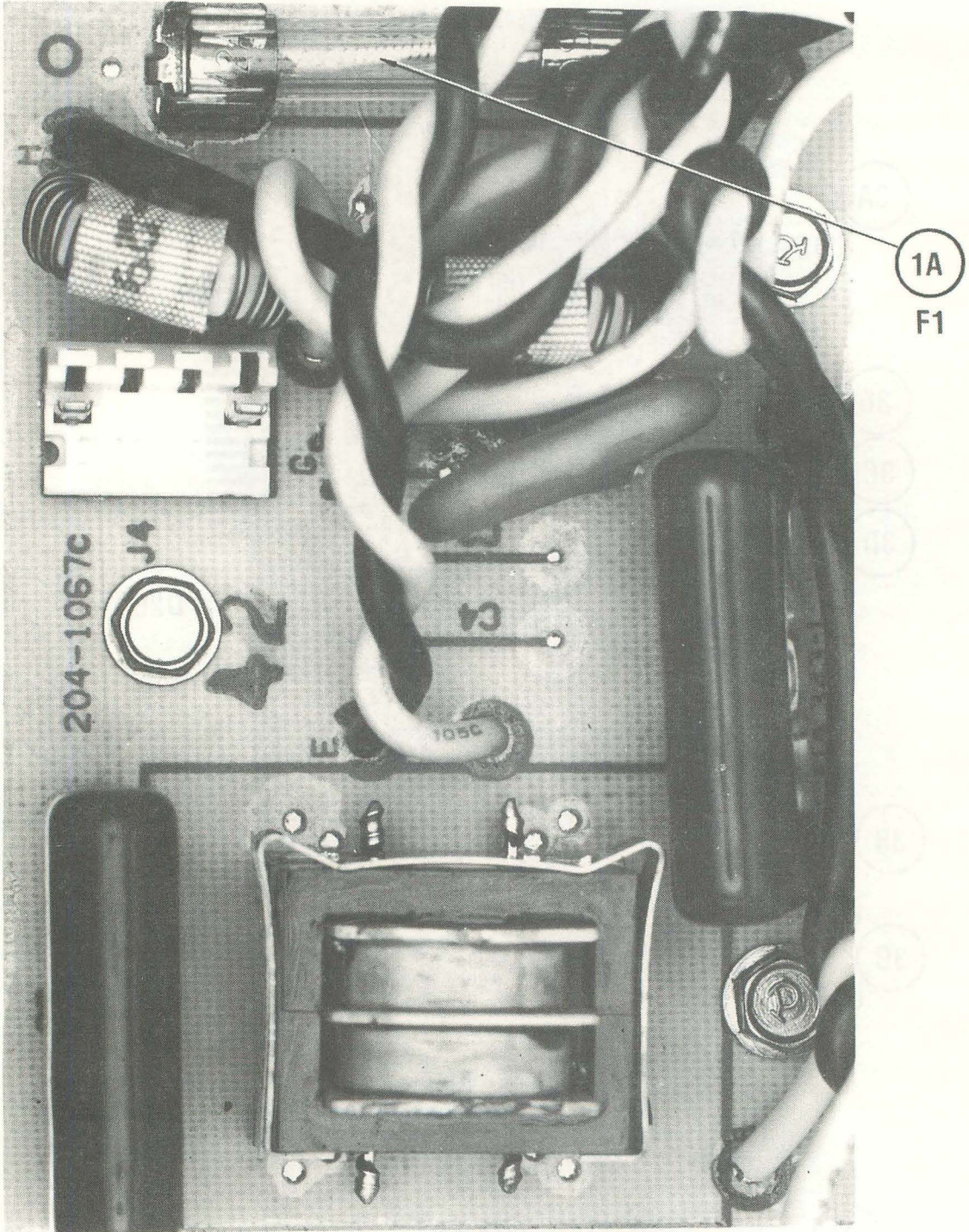


PRELIMINARY SERVICE CHECKS (Continued)



IBM
MODEL 5150

PRELIMINARY SERVICE CHECKS (Continued)



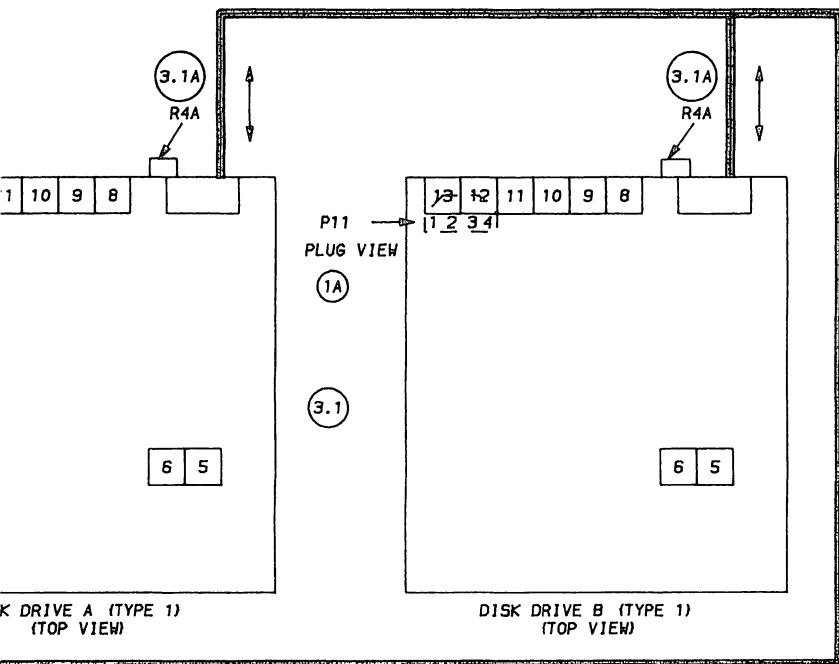
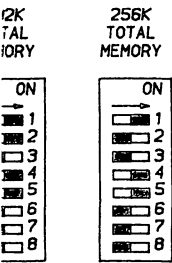
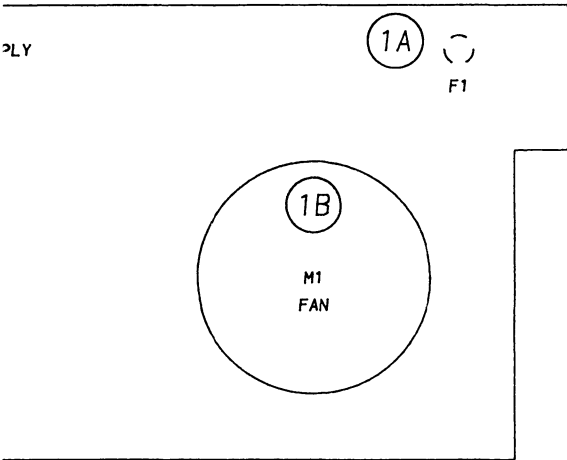
1A
F1

Model
Card 3500M

204-1067C

J4

105C



IBM
MODEL 5150
INTERCONNECTING DIAGRAM

PRELIMINARY SERVICE CHECKS (Continued)

ADJUSTMENTS

POWER BOARD

B + ADJUSTMENT

NOTE: The Power Supply **must** be connected to the computer to make this adjustment. Connect a DC voltmeter to pin 8 of IC IC4. Adjust B + Adjust Control (R32) for 5.00V.

SYSTEM BOARD

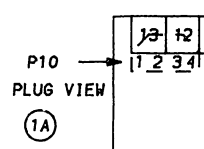
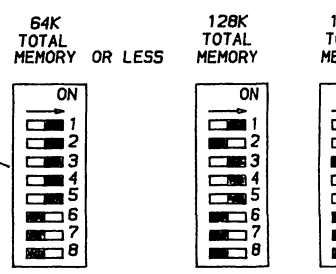
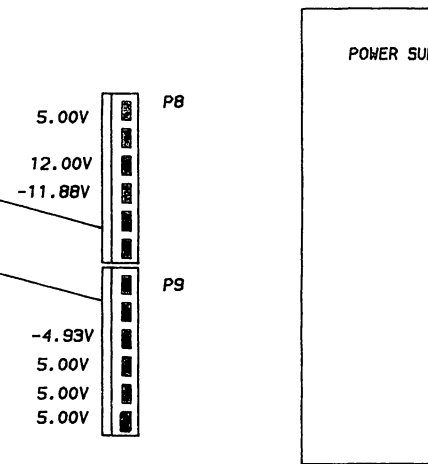
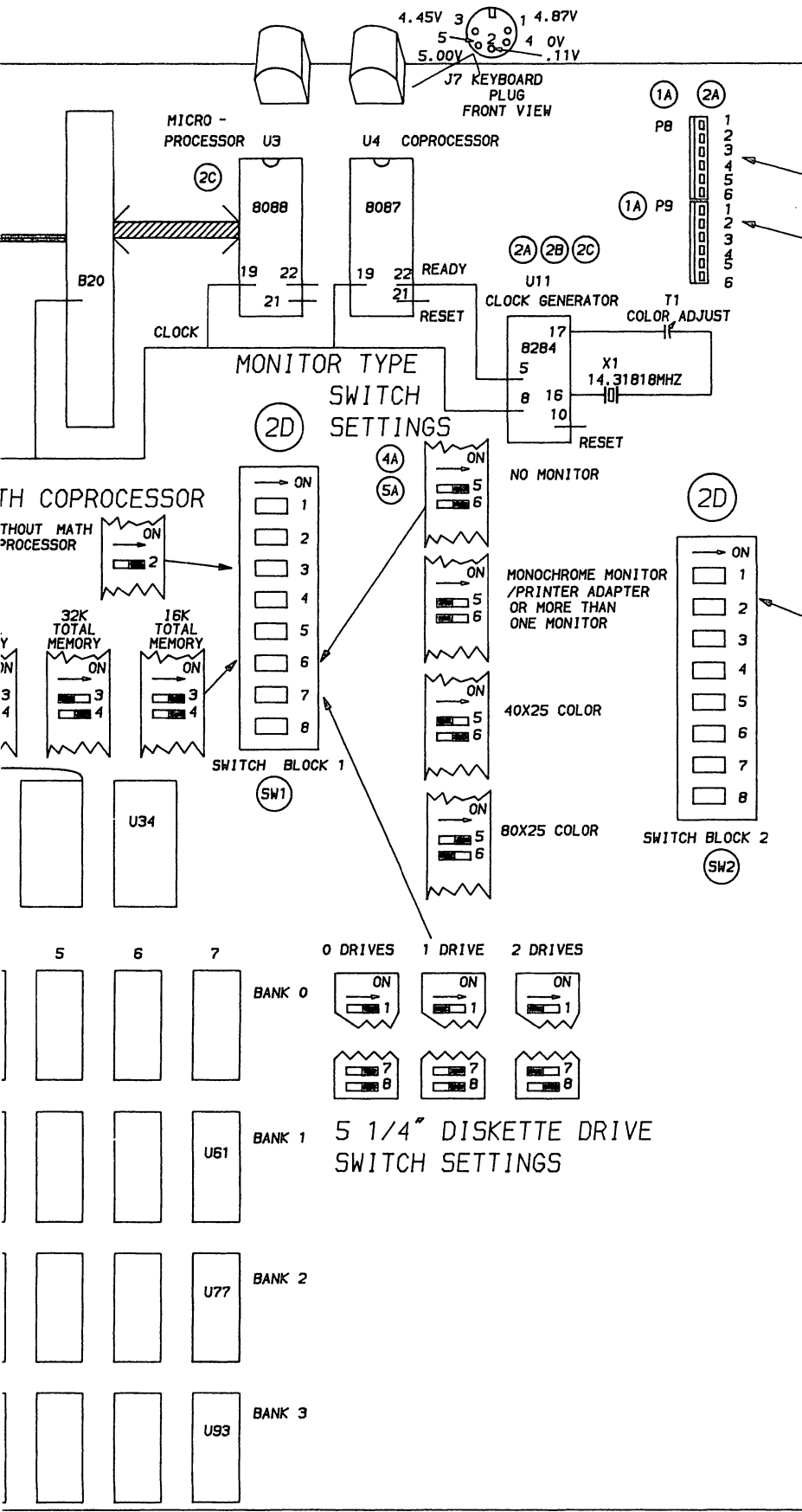
COLOR ADJUST

Connect the Input of a frequency counter to pin 12 of the Clock Generator IC (U11). Adjust the Color Adjust Trimmer (T1) for a frequency of 14.31818MHz.

DISK DRIVES (A & B) TYPE 1

HEAD CLEANING

Use a non-abrasive cleaning diskette to clean the heads. If the Disk Drive is a single sided drive, use a single sided cleaning diskette to avoid damaging the head pad.



PRELIMINARY SERVICE CHECKS (Continued)

PREVENTATIVE MAINTENANCE

ENVIRONMENT

Computers perform best in a clean, cool area that is below 80 degrees Fahrenheit and free of dust and smoke particles. Even though home Computers are not affected by cigarette smoke as much as commercial Computers are affected, it is better to maintain a smoke-free area around the Computer. Do not block cabinet vents of any of the Computer system; Computer, Monitor, Printer, or other power devices.

ELECTRICAL POWER

Variations in the line voltage can affect the Computer. Try to avoid these fluctuations by using an AC receptacle that is on a power line not used by appliances or other heavy current demand devices. A power-surge protector, power-line conditioner, or non-interruptible power supply may be needed to cure the problem. **Do not** switch power On and Off frequently.

KEYBOARD

Liquids spilled into the Keyboard can ruin it. Immediately after a spill occurs, disconnect the Computer power plug from AC power outlet. Then, if circuitry or contacts are contaminated, disassemble the Keyboard and carefully rinse the Keyboard printed circuit board with distilled water and let it dry. Use a cotton swab to clean between keys. Use a non-abrasive contact cleaner and lint-free wipers on accessible connectors and contacts.

DISK DRIVES

Clean the read/write heads of the Disk Drives about once a month or after 100 hours usage. Use only an approved head cleaning kit.

Handle carefully to preserve proper disk head alignment. A sudden bump or jolt to the Disk Drives can knock the disk head out of alignment. If the Disk Drives must be transported, place an old disk in slot during transport.

Store disks in their protective covers and never touch the disk surface. Observe the disk handling precautions usually found on the back of disk protective covers.

PRINTERS

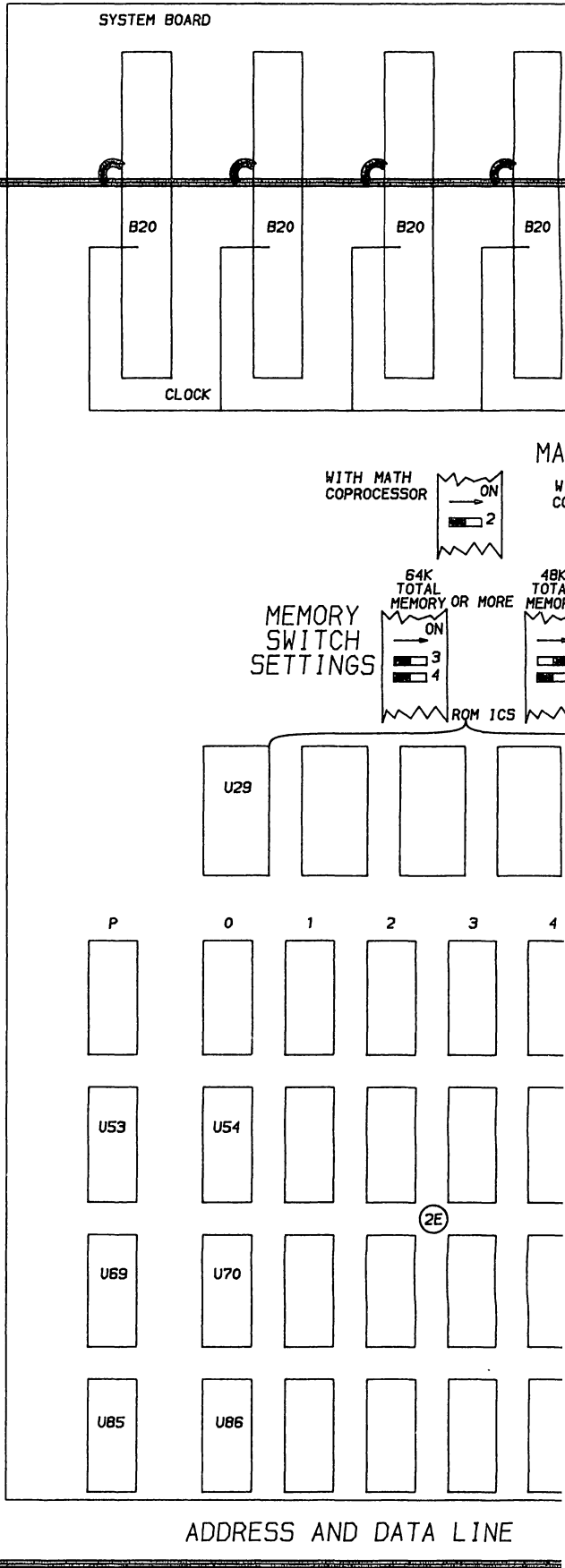
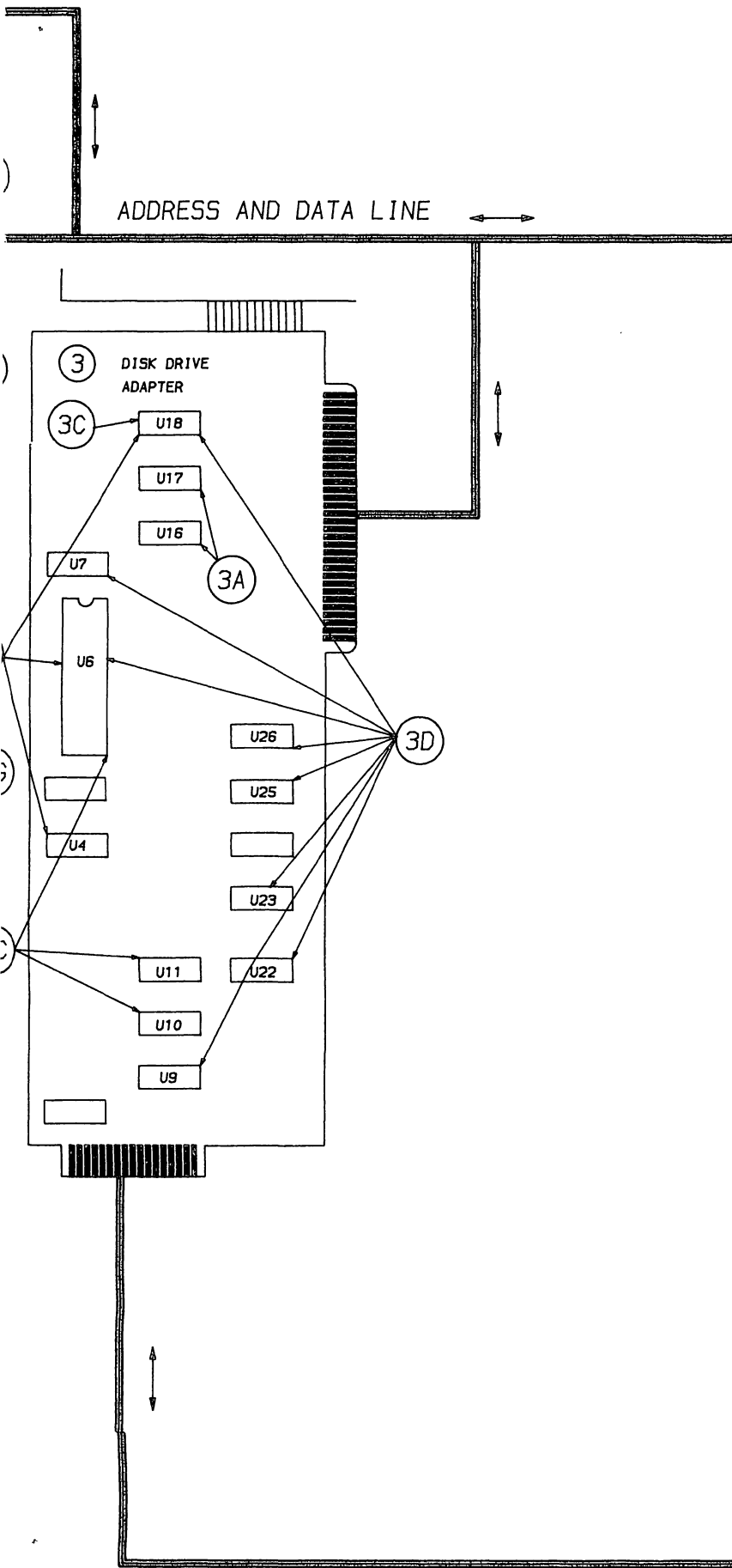
Carefully vacuum the Printer regularly. Wipe surface areas clean using a light all-purpose cleaner. Do not oil the machine. The oil will collect abrasive grit and dust. The dust will act as a blanket. This can cause components to overheat and fail.

STATIC ELECTRICITY

Static electricity discharge can affect the Computer. In order to minimize the possibility, use anti-static mats, sprays, tools and materials, and maintain good humidity in the Computer environment.

MONITOR

Use an isolation transformer with any Monitor that does not come as part of the system since some Monitors use a HOT chassis (chassis connected to one side of the AC line). The face of the Monitor should never be left on for long periods of time at high brightness level except when pattern is being changed periodically. Use caution when cleaning anti-glare screens, to preserve the glare-reduction feature.



**MONOCHROME MONITOR/
PRINTER ADAPTER****KEYBOARD, SYSTEM BOARD,
PRINTER ADAPTER,
POWER SUPPLY**

See Folder CSCS2

IBM
MODEL 5150
CSCS2-ACSCS2-A
IBM
MODEL 5150**INDEX**

	Page		Page
GridTrace Location Guide		Photos	
Monochrome Monitor/Printer Adapter	11	Monochrome Monitor/Printer Adapter	6,11
Line Definitions	14	Schematics	
Logic Charts	7,8,9	IC Pinouts and Terminal Guides	5,12
Parts List	9,10	Monochrome	Monitor/
		Printer Adapter	2,3,4, 13, 15, 16, 17
		Notes	14

**Howard W. Sams & Co.**

4300 West 62nd Street, P.O. Box 7092, Indianapolis, Indiana 46206 U.S.A.

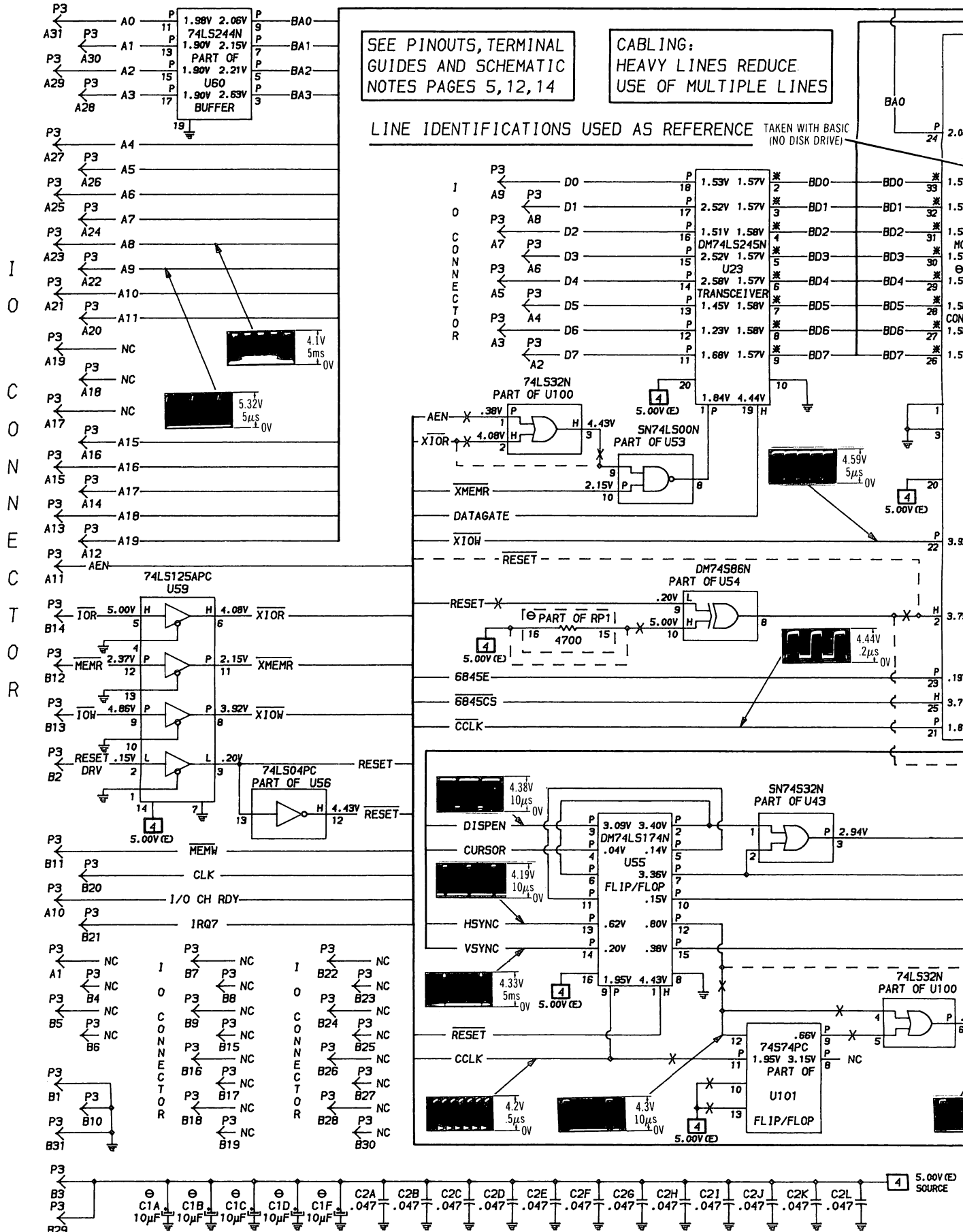
The listing of any available replacement part herein does not constitute in any case a recommendation, warranty or guaranty by Howard W. Sams & Co., as to the quality and suitability of such replacement part. The numbers of these parts have been compiled from information furnished to Howard W. Sams & Co. by the manufacturers of the particular type of replacement part listed.

Reproduction or use, without express permission, of editorial or pictorial content, in any manner, is prohibited. No patent liability is assumed with respect to the use of the information contained herein.

© 1984 Howard W. Sams & Co.,

4300 West 62nd Street, P.O. Box 7092, Indianapolis, Indiana 46206 U.S.A.

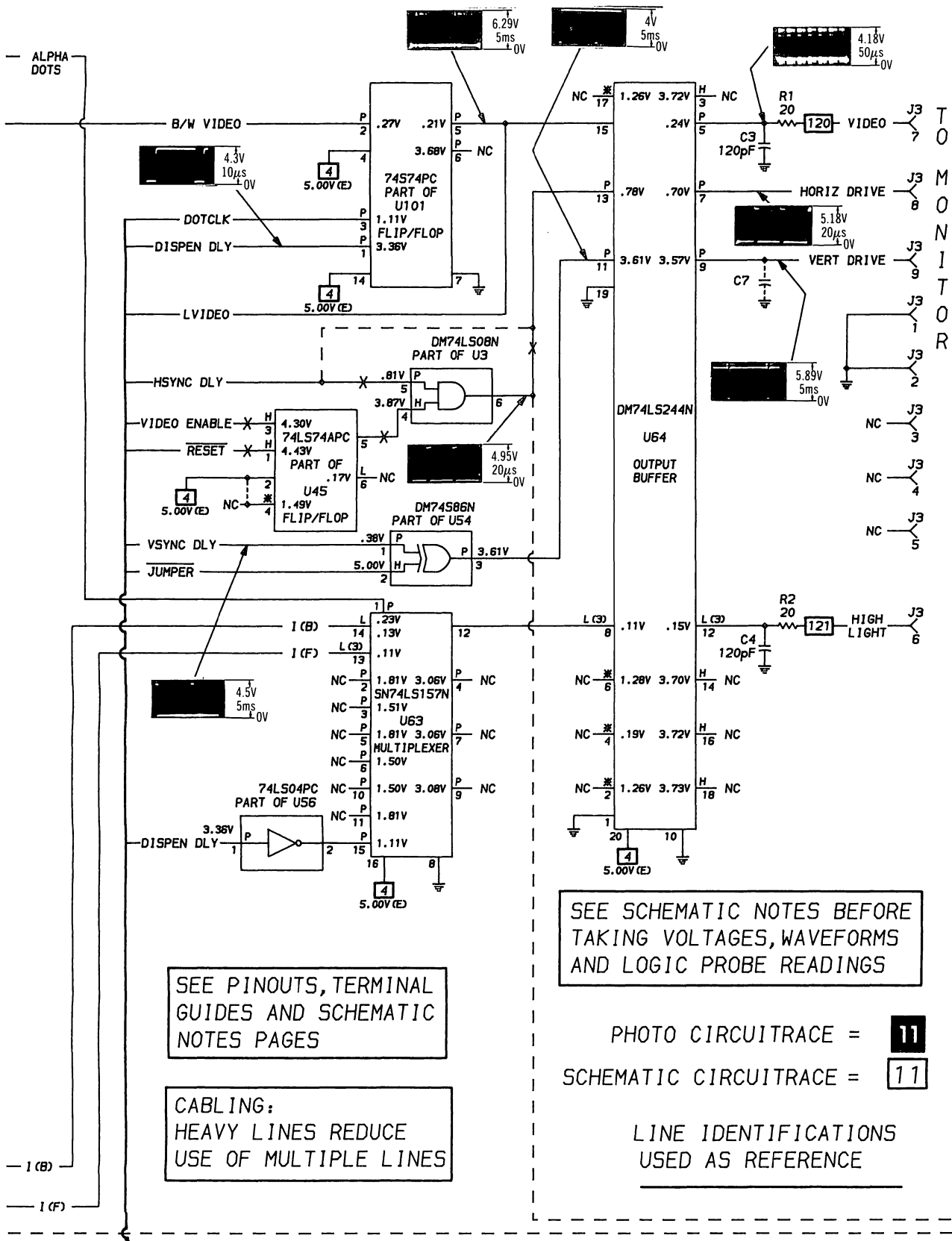
Printed in U.S. of America. **84CF14923****DATE 9-84**



A PHOTOFAC STANDARD NOTATION SCHEMATIC WITH **CIRCUITRACE**

© Howard W. Sams & Co., Inc. 1984

MONOCHROME MONITOR/PRINTER ADAPTER



CABLING:
 HEAVY LINES REDUCE USE OF MULTIPLE LINES

SEE SCHEMATIC NOTES BEFORE TAKING VOLTAGES, WAVEFORMS AND LOGIC PROBE READINGS

PHOTO CIRCUITRACE = **11**
 SCHEMATIC CIRCUITRACE = **11**

LINE IDENTIFICATIONS USED AS REFERENCE

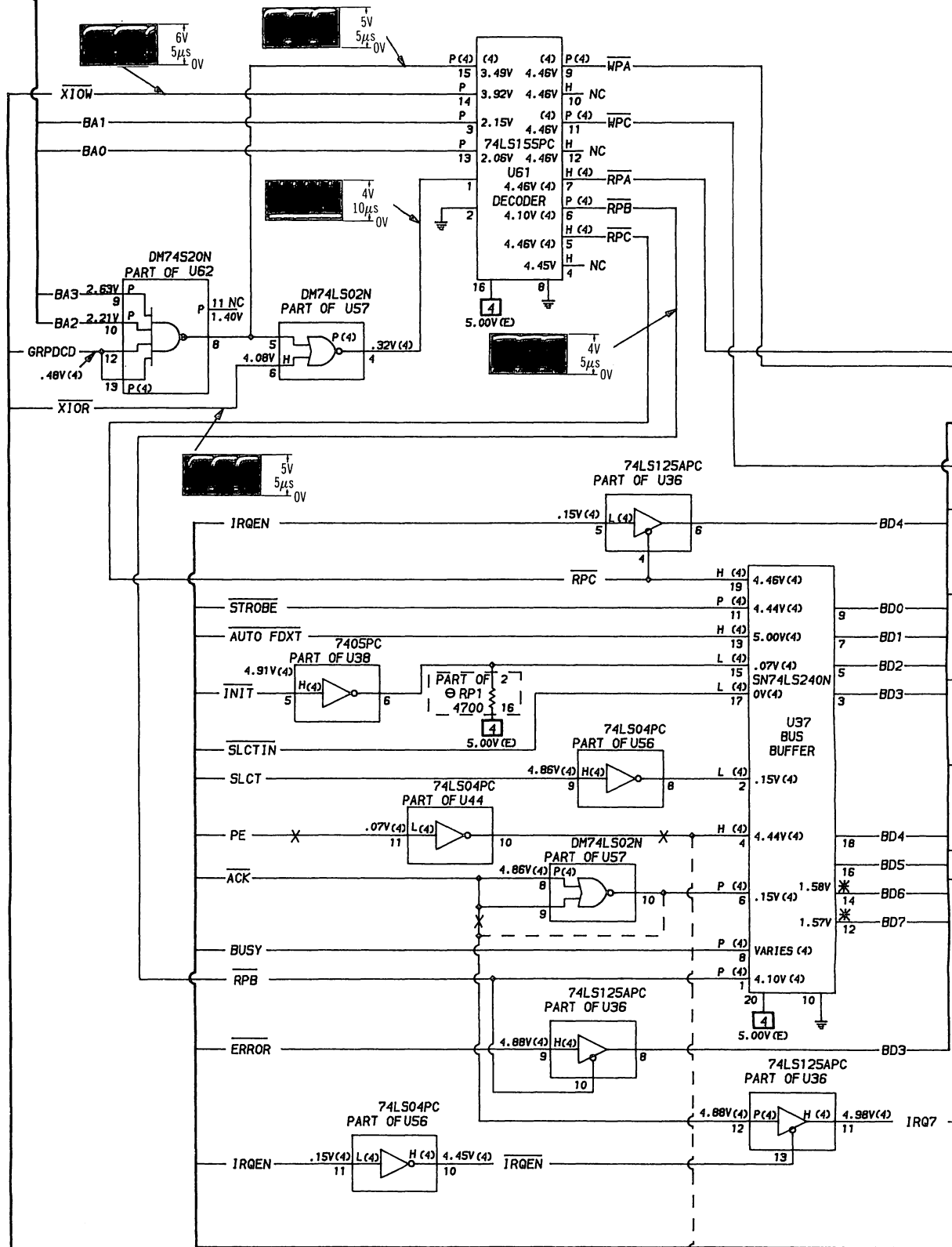


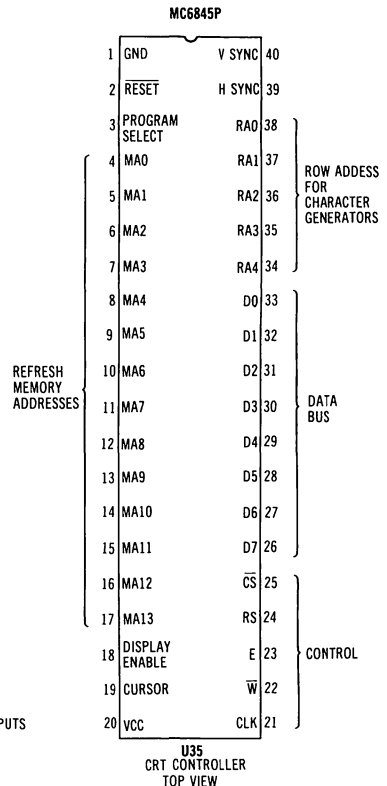
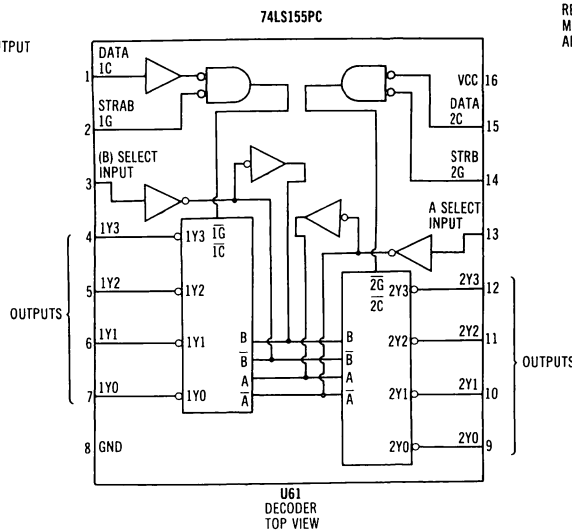
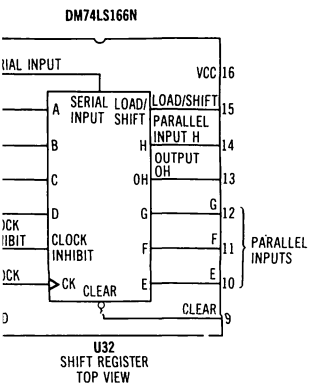
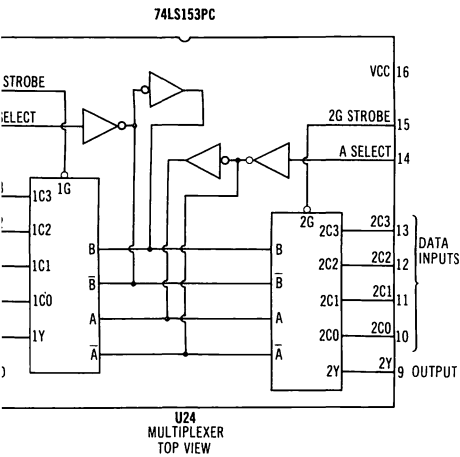
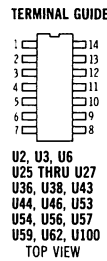
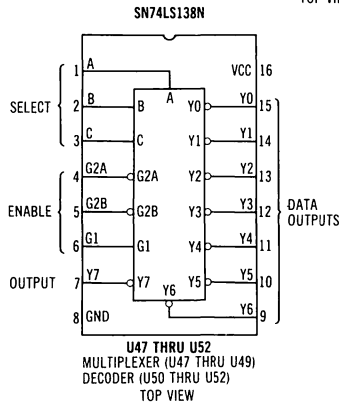
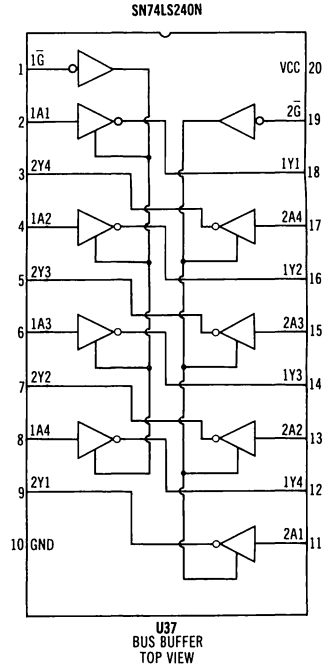
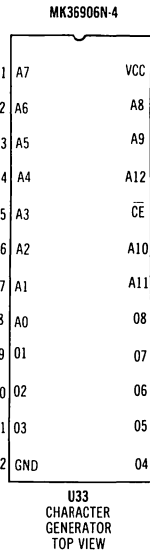
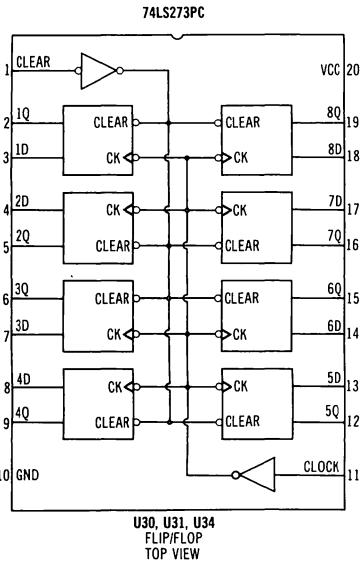
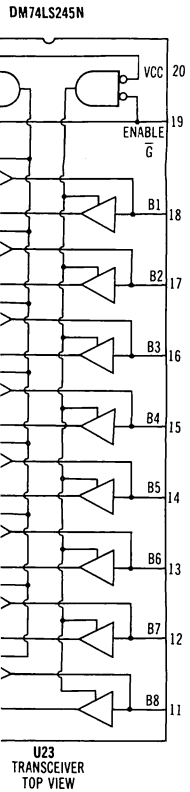
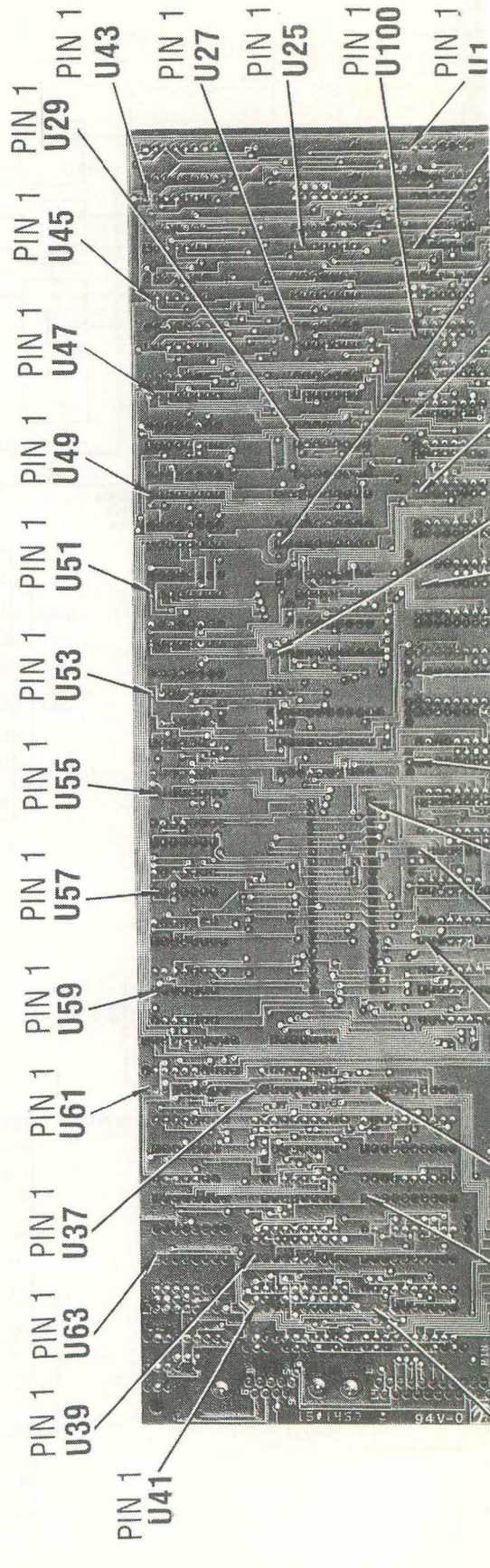
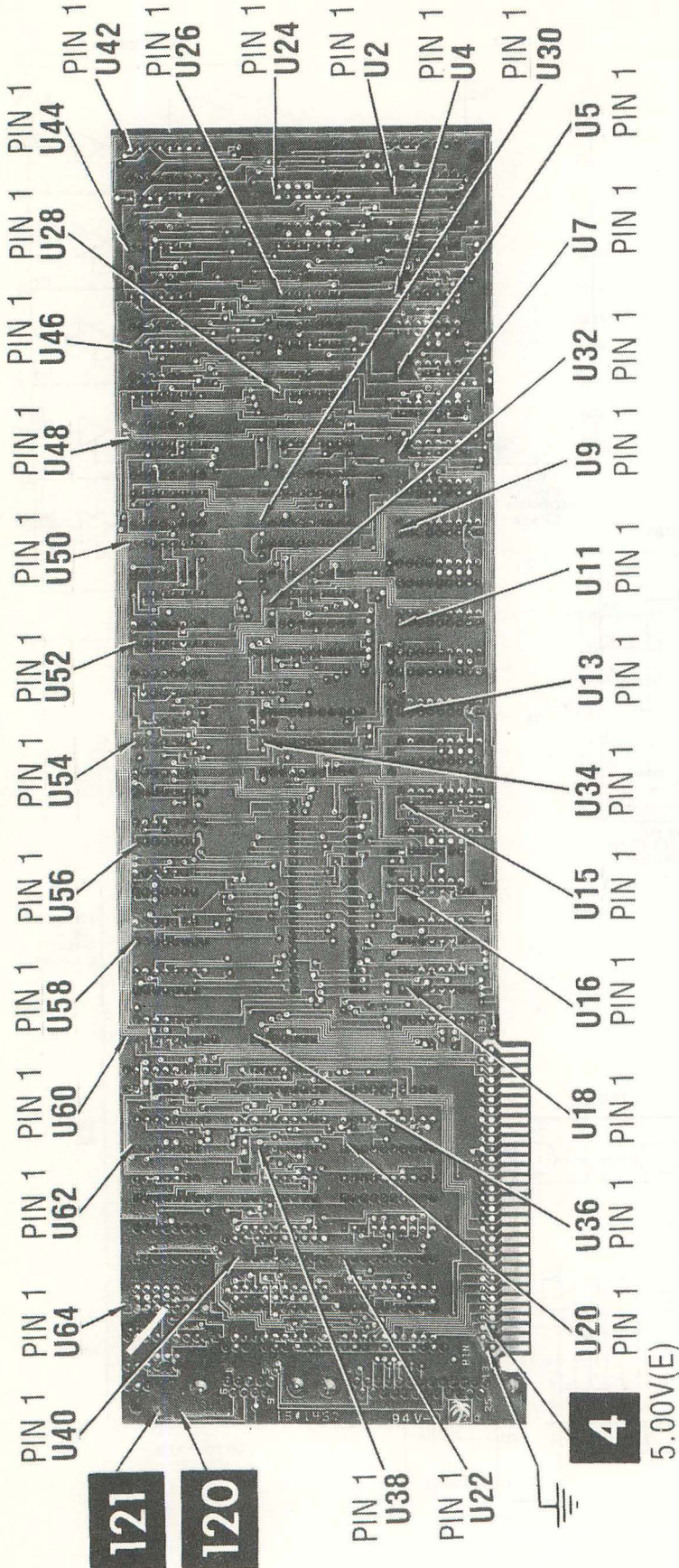


PHOTO CIRCUITRACE = 

SCHEMATIC CIRCUITRACE = 

TERMINAL GUIDES





121
120

4
5.00V(E)

MONOCHROME MONITOR/PRINTER ADAPTER LOGIC

PIN NO.	IC U1	IC U2	IC U3	IC U4	IC U5	IC U6	IC U7	IC U8	IC U9	IC U10	IC U11	IC U12	IC U13	IC U14	IC U15
1	H	P	H	H	P	H	L	P	P	P	P	P	P	P	P
2	P	P	H	H	P	H	P	P	P	P	P	P	P	P	P
3	P	P	H	P	P	H	L	P	P	P	P	P	P	P	P
4	P	P	H	H	H	P	P	P	P	P	P	P	P	P	P
5	P	H	P	H	P	L	P	P	P	P	P	P	P	P	P
6	P	L	P	L	P	H	H	P	P	P	P	P	P	P	P
7	P	L	P	L	P	L	L	P	P	P	P	P	P	P	P
8	L	P	P	L	L	L	L	P	P	P	P	P	P	P	P
9	P	P	P	H	P	H	H	L	L	L	L	L	L	L	L
10	P	H	P	L	H	H	H	L	L	L	L	L	L	L	L
11	P	L	P	P	P	H	H	L	L	L	L	L	L	L	L
12	P	L	P	H	P	P	P	P	P	P	P	P	P	P	P
13	P	H	P	H	P	P	L	P	P	P	P	P	P	P	P
14	*	H	H	H	H	H	P	P	P	P	P	P	P	P	P
15	H				H	H	L	P	P	P	P	P	P	P	P
16	H				H	H	H	P	P	P	P	P	P	P	P
17								P	P	P	P	P	P	P	P
18								H	H	H	H	H	H	H	H
PIN NO.	IC U16	IC U17	IC U18	IC U19	IC U20	IC U21	IC U22	IC U23	IC U24	IC U25	IC U26	IC U27	IC U28	IC U29	IC U30
1	L	L	L	H	H	H	H	P	L	P	L	L	P	P	H
2	P	P	P	*	*	*	*	*	L	P	P	*	L	L	P
3	P	P	P	L	P	P	P	*	L	P	H	*	L	L	P
4	P	P	P	*	P	P	*	*	*	P	L	L	P	L	P
5	P	P	P	P	*	*	P	*	L	P	P	H	P	P	P
6	P	P	P	*	*	*	*	*	P	L	L	P	P	P	P
7	P	P	P	P	P	P	P	*	P	L	L	P	P	P	P
8	L	L	L	*	L	P	*	*	L	P	P	P	P	L	L
9	P	P	P	P	*	*	P	*	P	P	H	P	P	P	L
10	P	P	P	L	L	L	L	L	P	P	H	P	P	P	L
11	P	P	P	*	L	L	*	P	H	H	P	L	P	P	L
12	L	P	P	L	*	*	*	P	P	L	L	P	P	L	L
13	P	P	P	*	P	P	*	P	L	P	P	P	P	L	P
14	L	P	P	P	*	*	*	P	L	H	H	H	H	L	P
15	L	L	L	P	*	*	*	P	L	H	H	H	H	L	P
16	H	H	H	P	*	*	*	P	L	H	H	H	H	L	P
17				*	P	P	*	P							P
18				P	L	P	P	P							L
19				H	*	*	H	H							L
20				H	H	H	H	H							H

CSCS-2-A
IBM
MODEL 5150

NOTE: Logic probe readings taken with computer turned On, no keys pressed, unless otherwise noted.

Logic Probe Display

L = Low

H = High

P = Pulse

* = Open (No light On)

- (1) Probe indicates L when reverse video feature is not used.
- (2) Probe indicates P when underline feature is used.
- (3) Probe indicates P when highlight (intensity) feature is used.

MONOCHROME MONITOR/PRINTER ADAPTER LOGIC (Continued)

PIN NO.	IC U31	IC U32	IC U33	IC U34	PIN NO.	IC U35	PIN NO.	IC U35	PIN NO.	IC U36	IC U37	IC U38	IC U39	IC U40	IC U41
1	H	L	P	H	1	L	21	P	1	H	P(4)	P(4)	H	H(4)	L
2	P	P	P	P	2	H	22	P	2	L	L(4)	P(4)	P(4)	P(4)	P(4)
3	P	P	P	P	3	L	23	P	3	H	*	L(4)	*	*	*
4	P	P	P	P	4	P	24	P	4	H(4)	H(4)	H(4)	*	P(4)	*
5	P	P	P	P	5	P	25	P	5	L(4)	*	H(4)	L(4)	*	P(4)
6	P	L	P	P	6	P	26	*	6	*	P(4)	L(4)	*	P(4)	P(4)
7	P	L	P	P	7	P	27	*	7	L	*	L	H(4)	*	*
8	L	L	P	P	8	P	28	*	8	*	P(4)	H(4)	*	P(4)	*
9	L	P	P	P	9	P	29	*	9	H(4)	*	L(4)	P(4)	*	P(4)
10	L	P	P	L	10	P	30	*	10	P(4)	L	L(4)	H(4)	L	L
11	P	P	P	P	11	P	31	*	11	H(4)	P(4)	H(4)	*	P(4)	P(4)
12	P	P	L	P	12	P	32	*	12	P(4)	*	L(4)	L(4)	*	P(4)
13	P	P	P	P	13	P	33	*	13	H(4)	H(4)	H(4)	*	P(4)	*
14	P	P	P	P	14	P	34	L	14	H	*	H	*	*	*
15	P	P	P	P	15	P	35	P	15		L(4)		L(4)	P(4)	P(4)
16	P	H	P	P	16	L	36	P	16		*		H	*	P(4)
17	P		P	P	17	L	37	P	17		L(4)			L(4)	*
18	L		P	P	18	P	38	P	18		*			*	*
19	L		P	P	19	P	39	P	19		H(4)			H(4)	L(4)
20	H		P	H	20	H	40	P	20		H			H	H
21			L												
22			P												
23			P												
24			H												

PIN NO.	IC U42	IC U43	IC U44	IC U45	IC U46	IC U47	IC U48	IC U49	IC U50	IC U51	IC U52	IC U53	IC U54	IC U55	IC U56
1	H	P	P	H	L	P	P	P	P	P	P	H	P	H	P
2	P	P	P	H	L	P	P	P	P	P	P	P	H	P	P
3	P	P	H	H	L	P	P	P	P	P	P	P	P	P	P
4	H	P	L	*	P	H	L	L	P	P	P	L	P	P	P
5	H	P	H	H	P	L	L	L	H	P	P	H	P(1)	P	L
6	H	H	L	L	P	P	H	H	P	P	H	H	P	P	H
7	H	L	L	L	L	H	P	H	H	H	L	L	L	P	L
8	L	P	P	P	P	L	L	L	L	L	L	P	H	L	L(4)
9	P	P	P	P	P	H	H	H	H	H	P	H	L	P	H(4)
10	P	P	H(4)	H	P	H	H	H	H	H	*	P	H	P	H(4)
11	P	P	L(4)	P	H	H	H	H	H	H	P	P(4)	P	P	L(4)
12	H	P	L	P	H	H	H	H	H	H	P	P	P	P	H
13	P	L(2)	H	P	H	H	H	H	H	H	P	P	L	P	L
14	P	H	H	H	H	H	H	H	H	H	P	H	H	P	H
15	P										*			P	
16	H										H			H	

NOTE: Logic probe readings taken with computer turned On, no keys pressed, unless otherwise noted.

Logic Probe Display

L = Low

H = High

P = Pulse

* = Open (No light On)

(1) Probe indicates L when reverse video feature is not used.

(2) Probe indicates P when underline feature is used.

(4) Logic probe reading taken while running the following program.

10 PRINT "PERSONAL"

20 GOTO 10

MONOCHROME MONITOR/PRINTER ADAPTER LOGIC (Continued)

PIN NO.	IC U57	IC U58	IC U59	IC U60	IC U61	IC U62	IC U63	IC U64	IC U100	IC U101
1	L	H	L	H	P(4)	P	P	L	P	P
2	P	H	L	P	L	L	P	*	H	P
3	H	L	L	P	P	*	P	H	H	P
4	P(4)	*	L	L	H	H	P	*	P	H
5	P(4)	*	H	P	H(4)	P	P	P	P	P
6	H	H	H	L	P(4)	H	P	*	P	P
7	L	L	L	P	H(4)	L	P	P	L	L
8	P(4)	L	P	P	L	P(4)	L	L	P	P
9	P(4)	H	P	P	P(4)	P	P	P	P	P
10	P(4)	H	L	L	H	P	P	L	P	H
11	P	L	P	P	P(4)	P	P	P	H	P
12	P	*	P	*	H	P(4)	L(3)	L(3)	*	P
13	P	*	L	P	P	P(4)	L(3)	P	*	H
14	H	L	H	*	P	H	L	H	H	H
15		H		P	P(4)		P	H		
16		H		*	H		H	H		
17				P				*		
18				*				H		
19				L				L		
20				H				H		

NOTE: Logic probe readings taken with computer turned On, no keys pressed, unless otherwise noted.

Logic Probe Display

L = Low

H = High

P = Pulse

* = Open (No light On)

(3) Probe indicates P when highlight (intensity) feature is used.

(4) Logic probe reading taken while running the following program.

10 PRINT "PERSONAL"

20 GOTO 10

**IBM
MODEL 5150**

PARTS LIST AND DESCRIPTION

When ordering parts, state Model, Part Number, and Description

MISCELLANEOUS

ITEM No.	PART NAME	MFR. PART No.	NOTES
MONOCHROME MONITOR PRINTER ADAPTER			
OSC1	Crystal Adapter	8529148	16.25MHz Monochrome Monitor/Printer

Part Numbers obtained from the IBM
Hardware Maintenance and Service Manual
(Part Number 6025072)
Courtesy of IBM

PARTS LIST AND DESCRIPTION (Continued)

When ordering parts, state Model, Part Number, and Description

SEMICONDUCTORS

ITEM No.	TYPE No.	MFGR. PART No.
MONOCHROME MONITOR/ PRINTER ADAPTER		
U1	74S174PC	
U2	SN74LS04N	
U3	DM74LS08N	
U4	74LS74APC	
U5	74S112PC 74S112A	
U6	74LS10PC	
U7	SN74LS139AN	
U8	MCM2114P20	
thru U15	2114L	
U16	SN74LS157N	
thru U18		
U19	74LS144N	
U20,21	74LS374PC	
U22	74LS244N	
U23	DM74LS245N	
U24	74LS153PC	
U25	SN74LS00N	
U26	DM74S11N	
U27	DM74LS02N	
U28	SN74LS393N	
U29	SN74LS175N	
U30,31	74LS273PC	
U32	DM74LS166N	
U33	MK36906N-4 MK36000	

ITEM No.	TYPE No.	MFGR. PART No.
U34	74LS273PC	
U35	MC6845P MC6845	
U36	74LS125APC	
U37	SN74LS240N	
U38	7405PC	
U39	DM74LS174N	
U40	74LS244N	
U41	74LS374PC	
U42	SN74LS139AN	
U43	SN74S32N	
U44	74LS04PC	
U45	74LS74APC	
U46	SN74LS08N	
U47	SN74LS138N	
thru U52		
U53	SN74LS00N	
U54	DM74S86N	
U55	DM74LS174N	
U56	74LS04PC	
U57	DM74LS02N	
U58	SN74LS175N	
U59	74LS125APC	
U60	74LS244N	
U61	74LS155PC	
U62	DM74S20N	
U63	SN74LS157N	
U64	DM74LS244N	
U100	74LS32N	
U101	74S74PC	

ELECTROLYTIC CAPACITORS

Items not listed are normally available at local distributors.

ITEM No.	RATING	MFGR. PART No.
MONOCHROME MONITOR PRINTER ADAPTER		
C1A	10 16V 10% (1)	
C1B	10 16V 10% (1)	

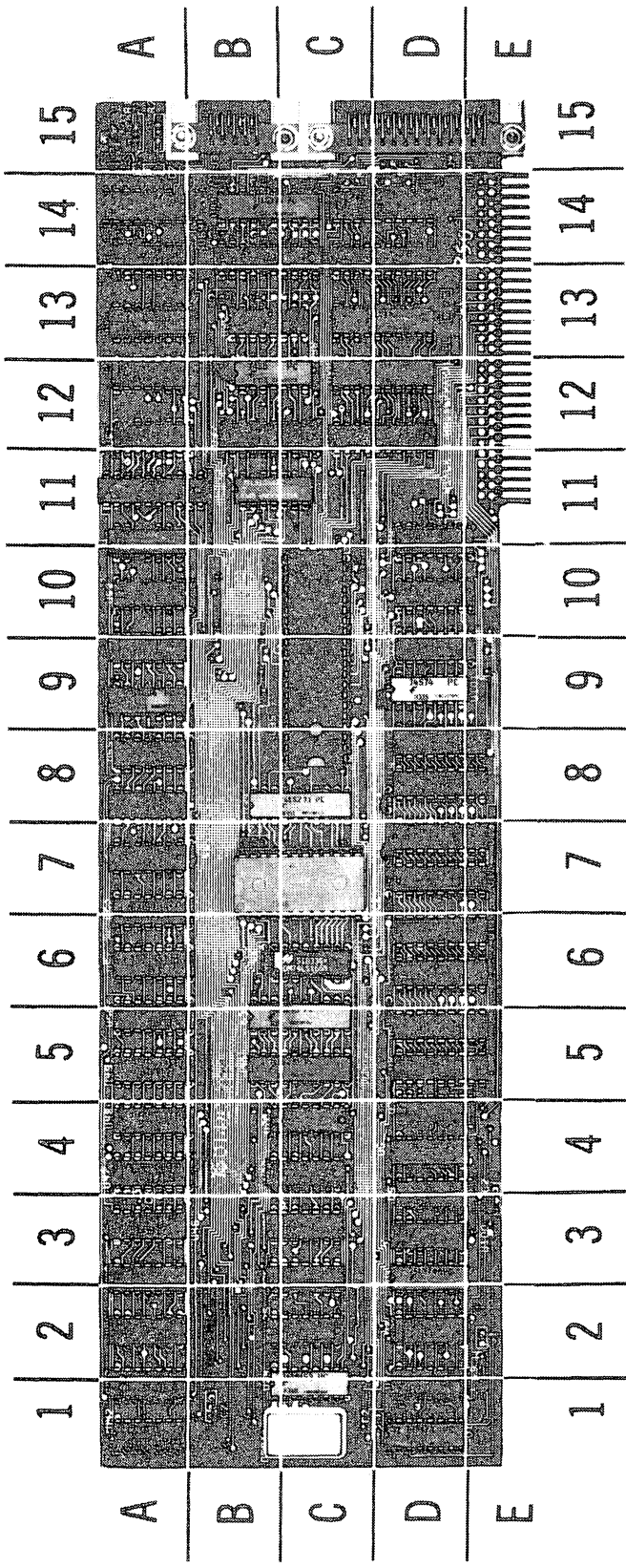
ITEM No.	RATING	MFGR. PART No.
C1C	10 16V 10% (1)	
C1D	10 16V 10% (1)	
C1F	10 16V 10% (1)	

(1) 8.2 used in some versions.

RESISTORS (Power and Special)

ITEM No.	RATING	REPLACEMENT DATA	
		MFGR. PART No.	NOTES
MONOCHROME MONITOR/ PRINTER ADAPTER RP1	Resistor Network (1)	316A472 Q5547008 (2)	

(1) Contains fifteen 4700.
(2) Number on unit.

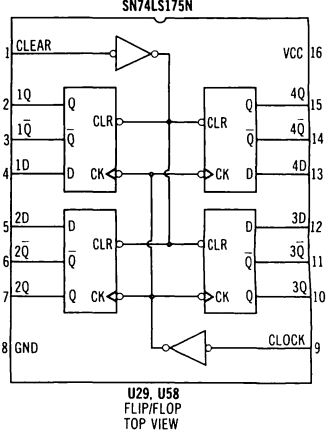
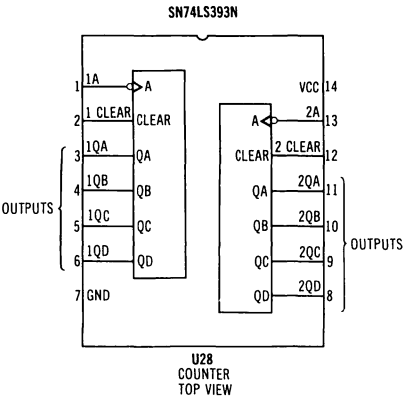
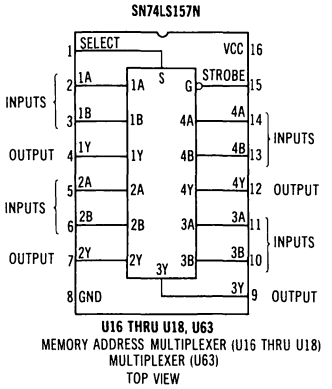
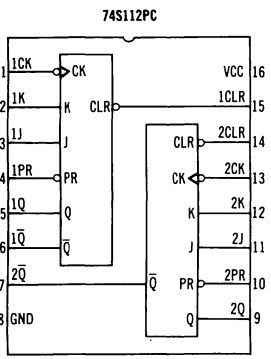
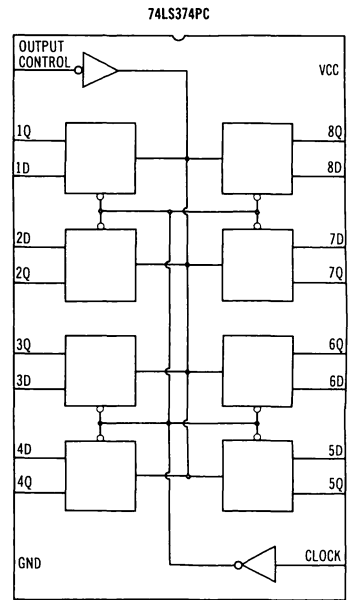
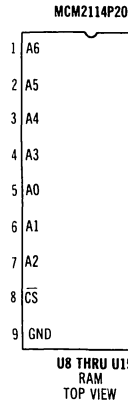
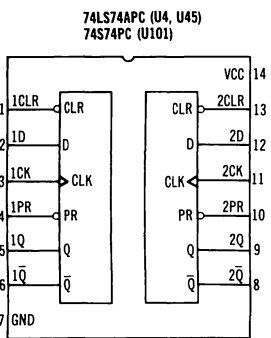
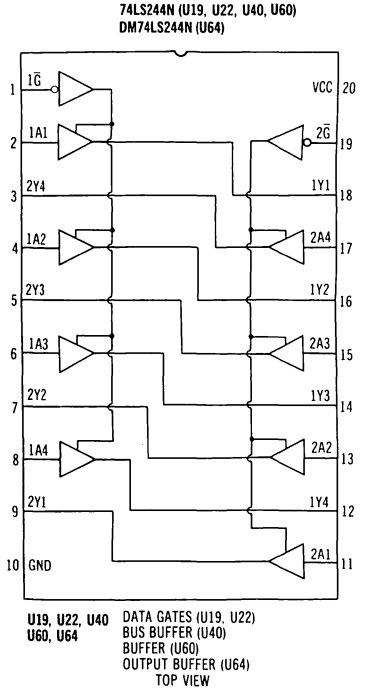
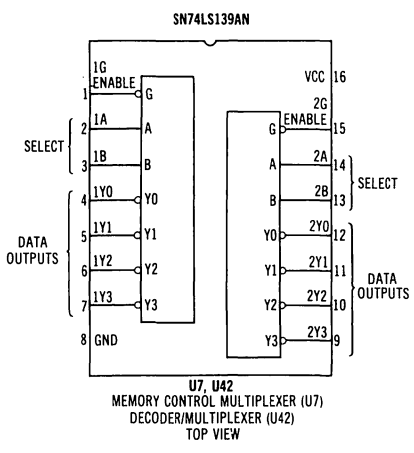
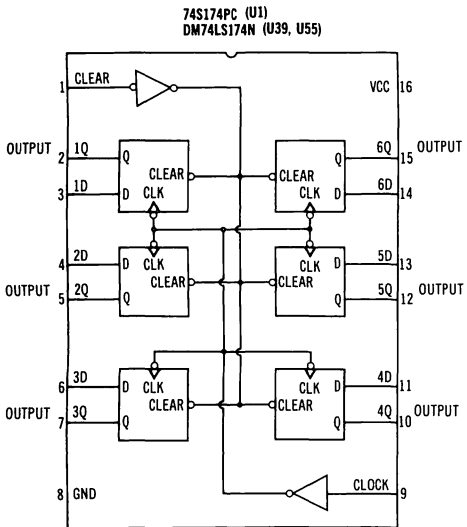


MONOCHROME MONITOR/PRINTER ADAPTER

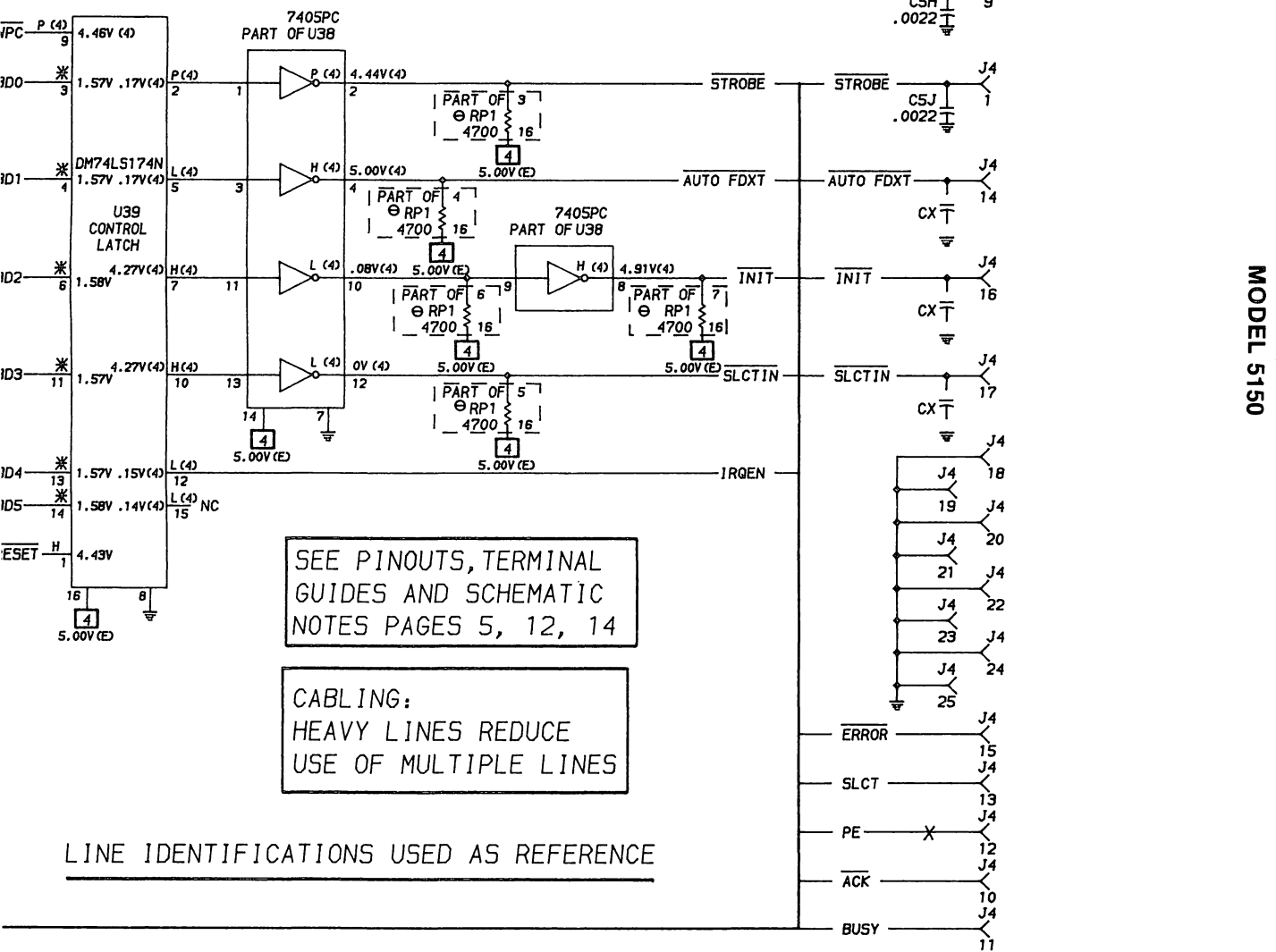
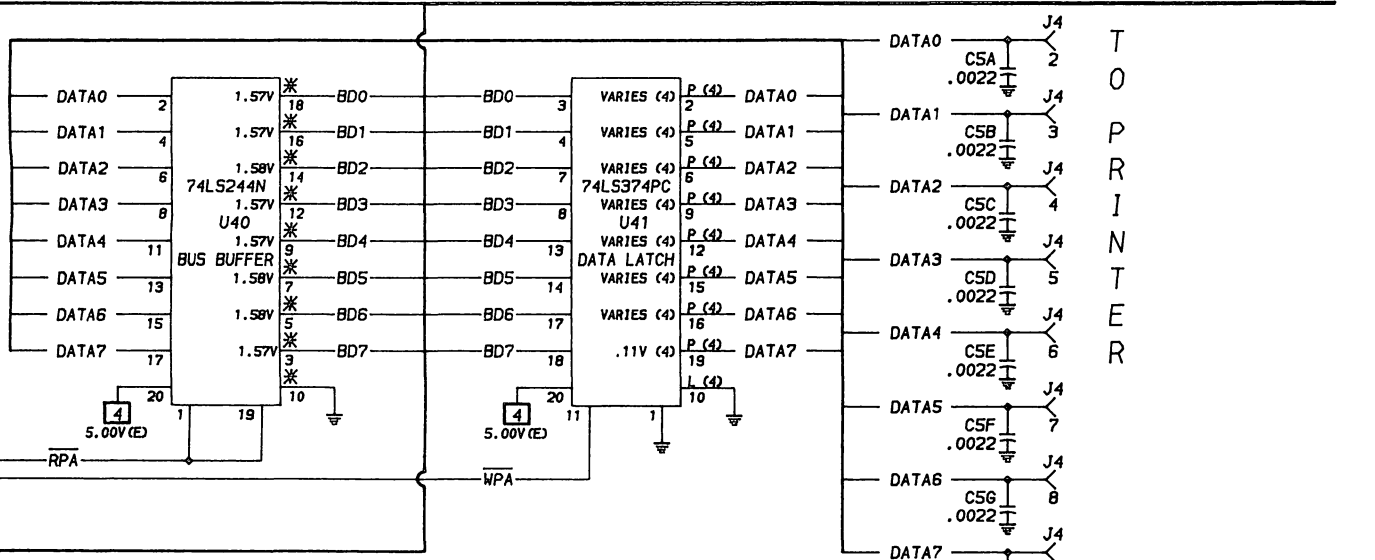
MONOCHROME MONITOR/PRINTER ADAPTER GridTrace LOCATION GUIDE

C1A	A-3	C2L	D-9	J4	D-6	U26	U41	B-2	U56	A-9
C1B	B-12	C2M	C-10	M1	D-7	U27	U11	B-3	U57	A-10
C1C	C3	C3	A-15	R1	D-8	U28	U12	B-4	U58	A-11
C1D	E-1	C4	A-15	R2	D-8	U29	U13	B-4	U59	A-10
C1E	D-13	C5A	B-14	RP1	D-8	U30	U14	B-5	U60	A-11
C2A	B-1	C5B	B-14	U1	D-9	U31	U15	B-5	U61	A-12
C2B	B-6	C5C	C-14	U2	D-10	U32	U16	B-6	U62	A-13
C2C	B-7	C5D	D-14	U3	D-10	U33	U17	B-6	U63	A-14
C2D	B-7	C5E	D-14	U4	D-10	U34	U18	B-8	U64	A-14
C2E	A-14	C5F	D-2	U5	C-11	U35	U19	C-8	U100	D-3
C2F	C-1	C5G	D-3	U6	C-12	U36	U20	C-8	U101	D-9
C2G	E-3	C5H	D-4	U7	C-13	U37	U21	B-11		
C2H	D-5	C5J	B-14	U8	C-13	U38	U22	B-12		
C2J	D-7	C6	B-13	U9	C-14	U39	U23	B-12		
C2K	D-8	J3	E-2	U10	B-1	U40	U24	B-13		
			B-15		B-2		U25	B-13		

IBM
MODEL 5150



T
O
P
R
I
N
T
E
R



SEE PINOUTS, TERMINAL GUIDES AND SCHEMATIC NOTES PAGES 5, 12, 14

CABLING:
HEAVY LINES REDUCE USE OF MULTIPLE LINES

LINE IDENTIFICATIONS USED AS REFERENCE

SEE SCHEMATIC NOTES BEFORE TAKING VOLTAGES, WAVEFORMS AND LOGIC PROBE READINGS

IBM
MODEL 5150

LINE DEFINITIONS

A0 Thru A11	Address Lines	IOR	Input/Output Read
A15 Thru A19	Address Lines	IOW	Input/Output Write
ACK	Acknowledge	IRQ7	Interrupt Request
AEN	Address Enable	IRQEN	Interrupt Request Enable
ALPHA DOTS	Alpha Dots	JUMPER	Jumper
AT0 Thru AT7	Attributes Lines	LCC5 Thru LCC7	
AT0X Thru AT7X	Attributes Buffer Lines	LVIDEO	
AUTO FDXT	Auto Feed External	MA0 Thru MA10	Memory Address Lines
B(0), B(7)		MEMR	Memory Read
B/W VIDEO	Black/White Video	MEMW	Memory Write
BA0 Thru BA3	Buffer Address Lines	NODSPLY	
BD0 Thru BD7	Buffer Data Lines	PE	Paper End
BLINK	Blink	Q5	
BUSY	Busy	RA0 Thru RA3	Row Address Lines
CACS CCLK	Control Address Chip Select Control Clock	RDGATEAT	Read Gate Attribute
CC0 Thru CC7	Character Code Lines	RDGATECC	Read Gate Character Code
CCLK	Control Clock	RESET	Reset
CEROM	Chip Enable ROM	RESET DRV	Reset Drive
CGB0		RMA0 Thru RMA9	Read Memory Address Lines
CLK	Clock	ROMA 11	
CLRVIDEO	Clear Video	RPA Thru RPC	
CPUMSEL	CPU Memory Select	RVV	Reverse Video
CURSOR	Cursor	S DOTS	Serial Dots
CURSOR DLY	Cursor Delay	S/L	
CURSOR BLINK	Cursor Blink	SEL 1	
D0 Thru D7	Data Lines	SERDATA	
DATA0 THRU DATA7	Data Lines	SERIN	
DATAGATE	Data Gate	SLCT	Select
DISPEN	Display Enable	SLCTIN	Select Input
DISPEN DLY	Display Enable Delay	STATUS SEL	Status Select
DOTCLK	Dot Clock	STROBE	Strobe
E		UNDERLINE	Underline
ENABLE BLINK	Enable Blink	VERT DRIVE	Vertical Drive
ERROR	Error	VIDEO	Video
F(0), F(1)		VIDEO ENABLE	Video Enable
GRPDCD		VSYNC	Vertical Sync
HIGH LIGHT	High Light	VSYNC DLY	Vertical Sync Delay
HORIZ DRIVE	Horizontal Drive	WE	Write Enable
HRES	High Resolution	WPA	Write Printer Data
HSYNC	Horizontal Sync	WPC	Write Printer Control
HSYNC DLY	Horizontal Sync Delay	XACK	Buffered Acknowledge
I(B), I(F)		XIOR	Buffered I/O Read
I/O CH RDY	I/O Channel Ready	XIOW	Buffered I/O Write
INIT	Initialize	XMEMR	Buffered Memory Read

Any Bar above any alphabetical or numerical combination indicates line active in a low (0) state.

SCHEMATIC NOTES

- *— Circuitry not used in some versions
 - Circuitry used in some versions
 - See parts list
 - ⊕ Ground
 - ⏏ Chassis
 - ▽ Common tie point
- Waveforms and voltages taken from ground, unless noted otherwise.
- Voltages, Waveforms and Logic probe readings taken with computer turned On, no keys pressed, unless otherwise noted.
- Waveforms taken with triggered scope and Sweep/Time switch in Calibrate position, scope input set for DC coupling on 0 reference voltage waveforms. Switch to AC input to view waveforms after DC reference is measured when necessary. Each waveform is 7 cm. width with DC reference voltage given at the bottom line of each waveform.
- Time in μ sec. per cm, given with p-p reading at the end of each waveform.
- Item numbers in rectangles appear in the alignment/adjustment instructions.
- Supply voltages maintained as shown at input.
- Voltages measured with digital meter, no signal.
- Controls adjusted for normal operation.
- Terminal identification may not be found on unit.

Capacitors are 50 volts or less, 5% unless noted.
 Electrolytic capacitors are 50 volts or less, 20% unless noted.
 Resistors are $\frac{1}{2}W$ or less, 5% unless noted.
 Value in () used in some versions.
 Measurements with switching as shown, unless noted.

Logic Probe Display

L = Low

H = High

P = Pulse

* = Open (No light On)

(1) Probe indicates L when reverse video feature is not used.

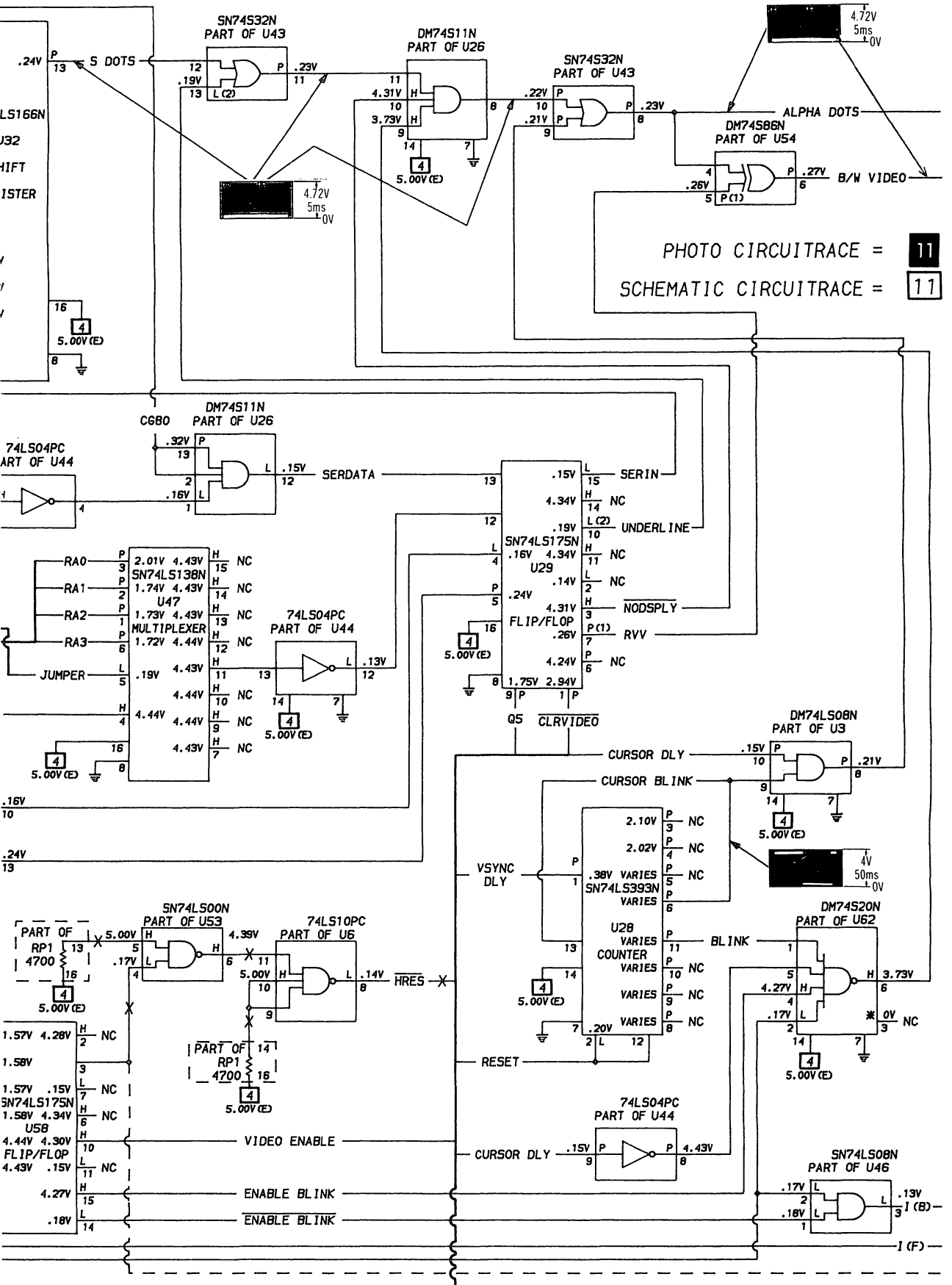
(2) Probe indicates P when underline feature is used.

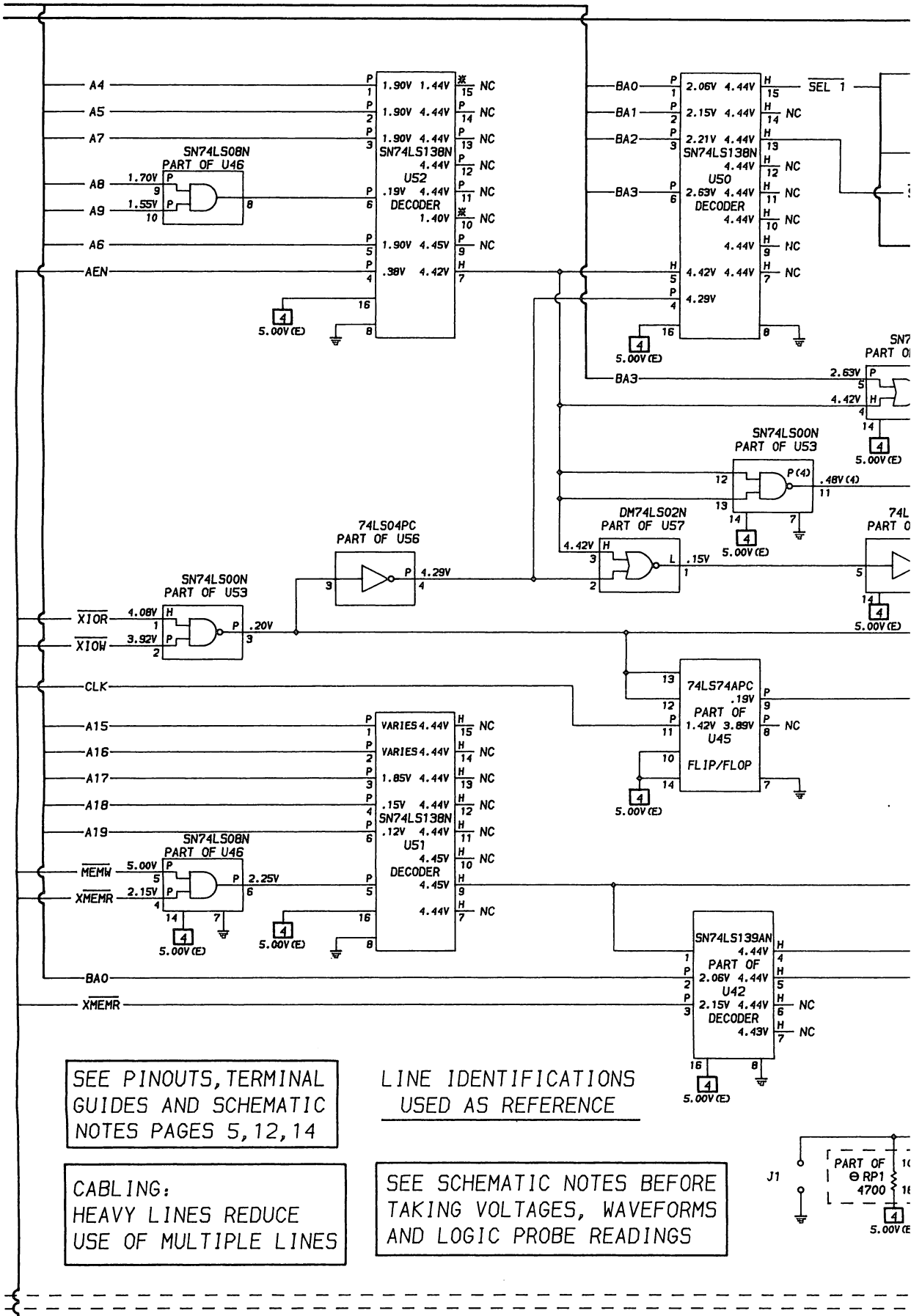
(3) Probe indicates P when highlight (intensity) feature is used.

(4) Logic probe reading taken while running the following program.

10 PRINT "PERSONAL"

20 GOTO 10



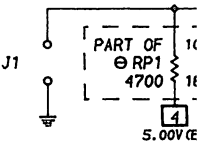


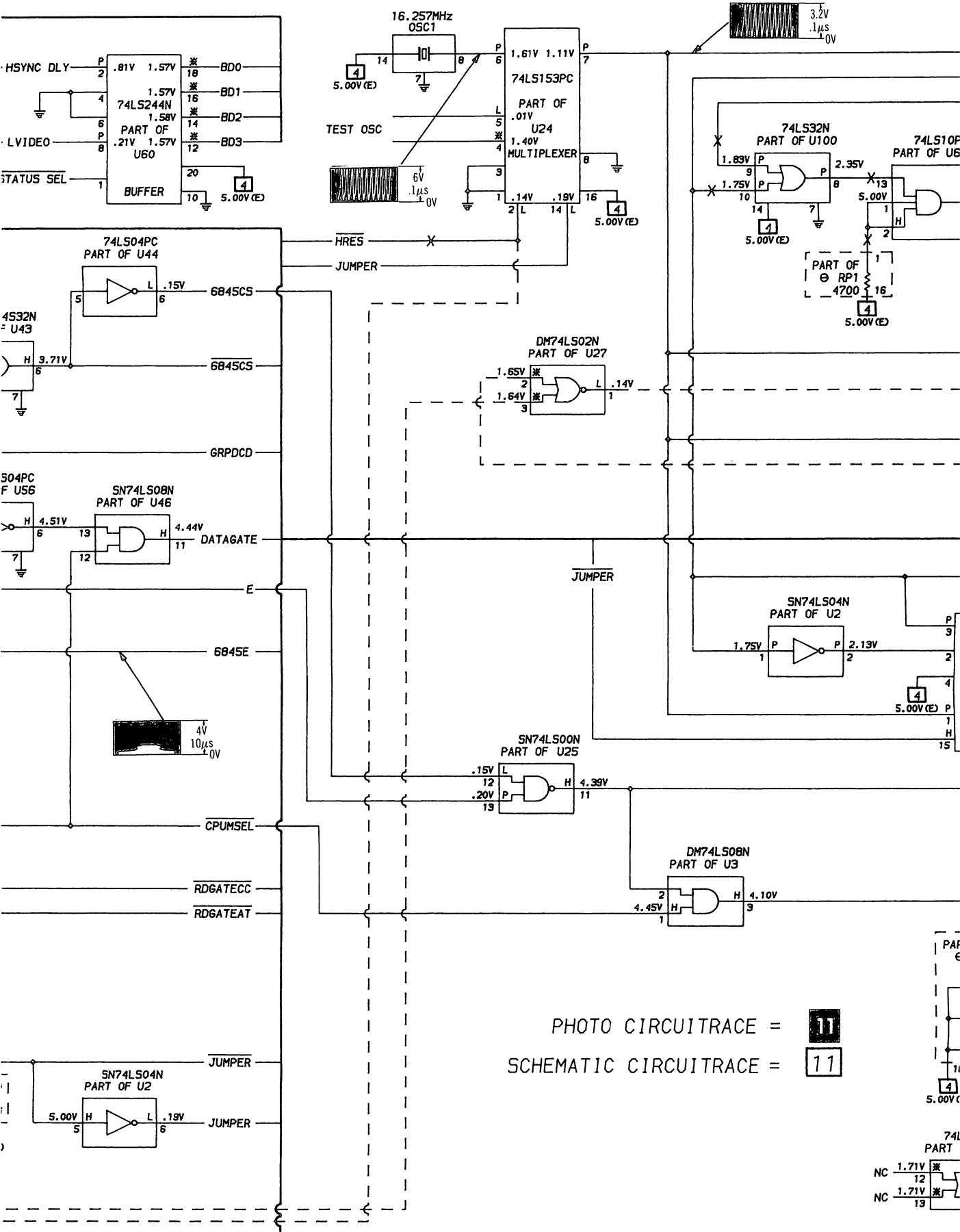
SEE PINOUTS, TERMINAL GUIDES AND SCHEMATIC NOTES PAGES 5, 12, 14

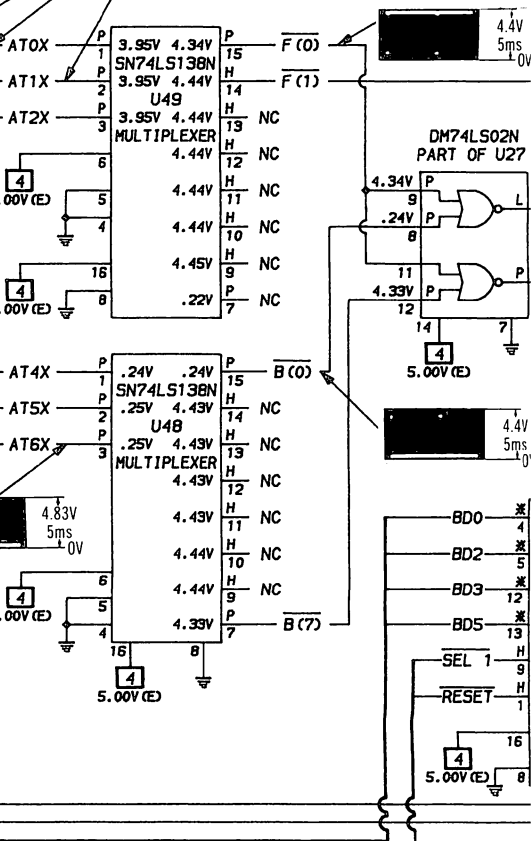
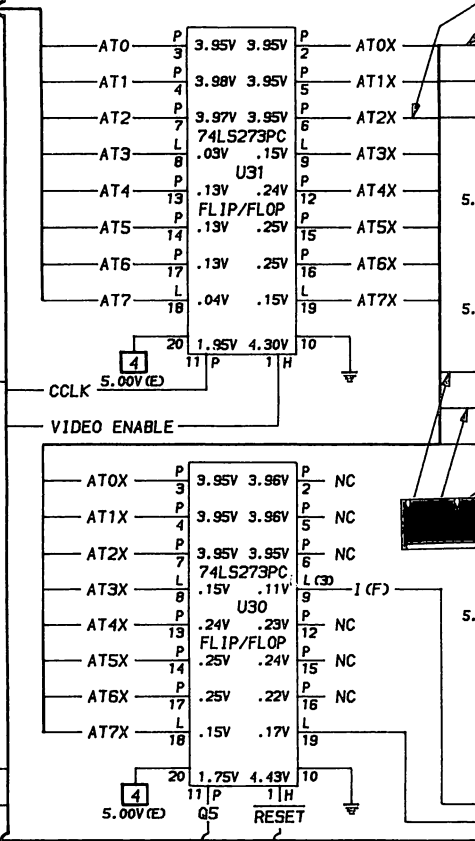
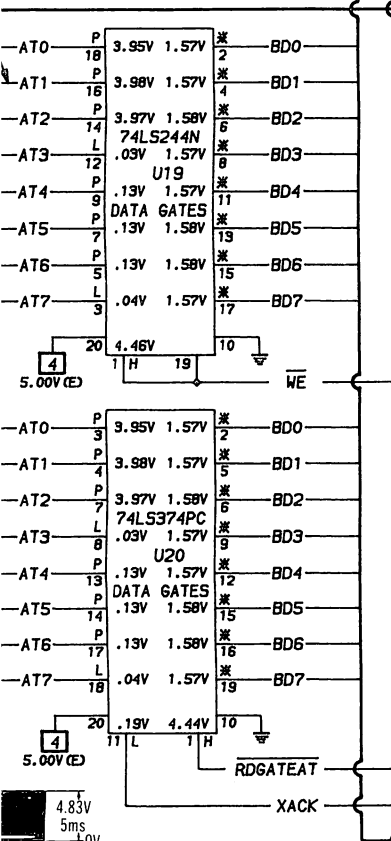
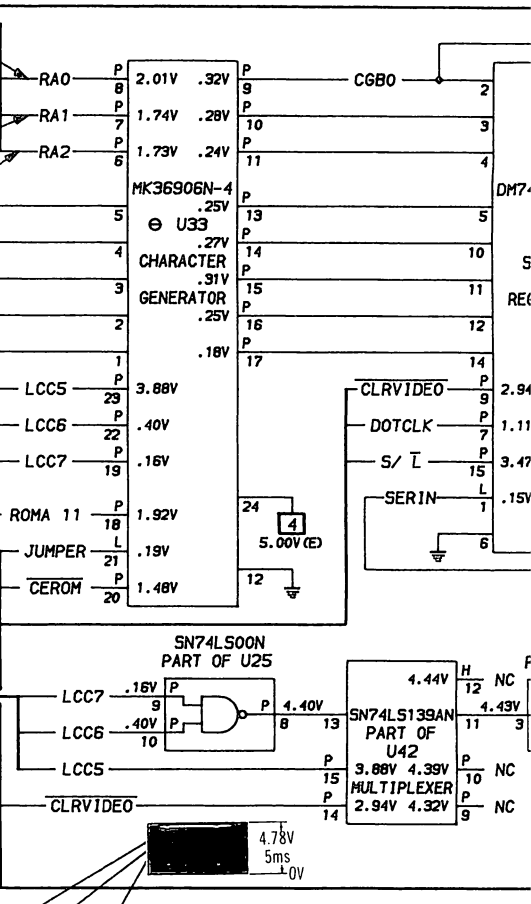
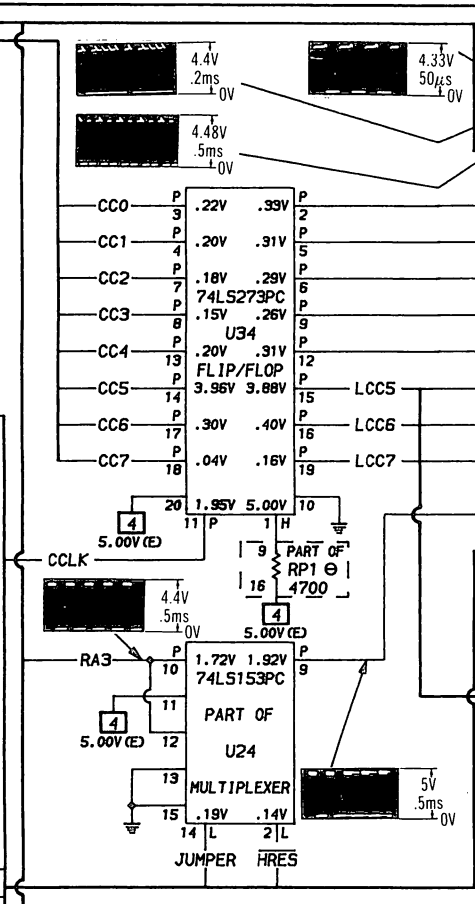
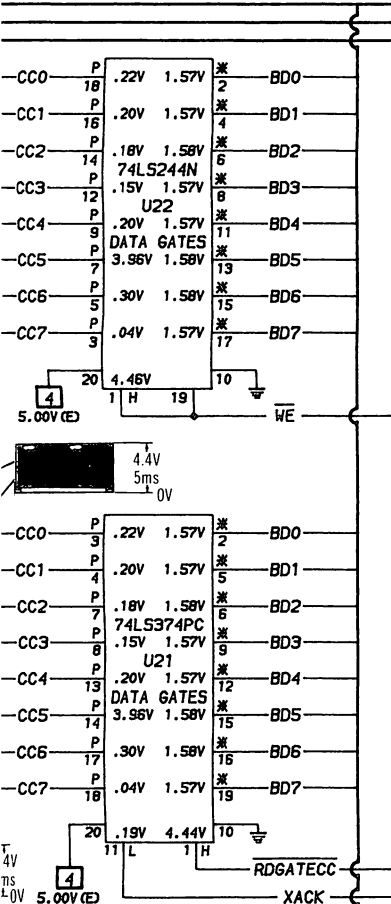
CABLING:
HEAVY LINES REDUCE USE OF MULTIPLE LINES

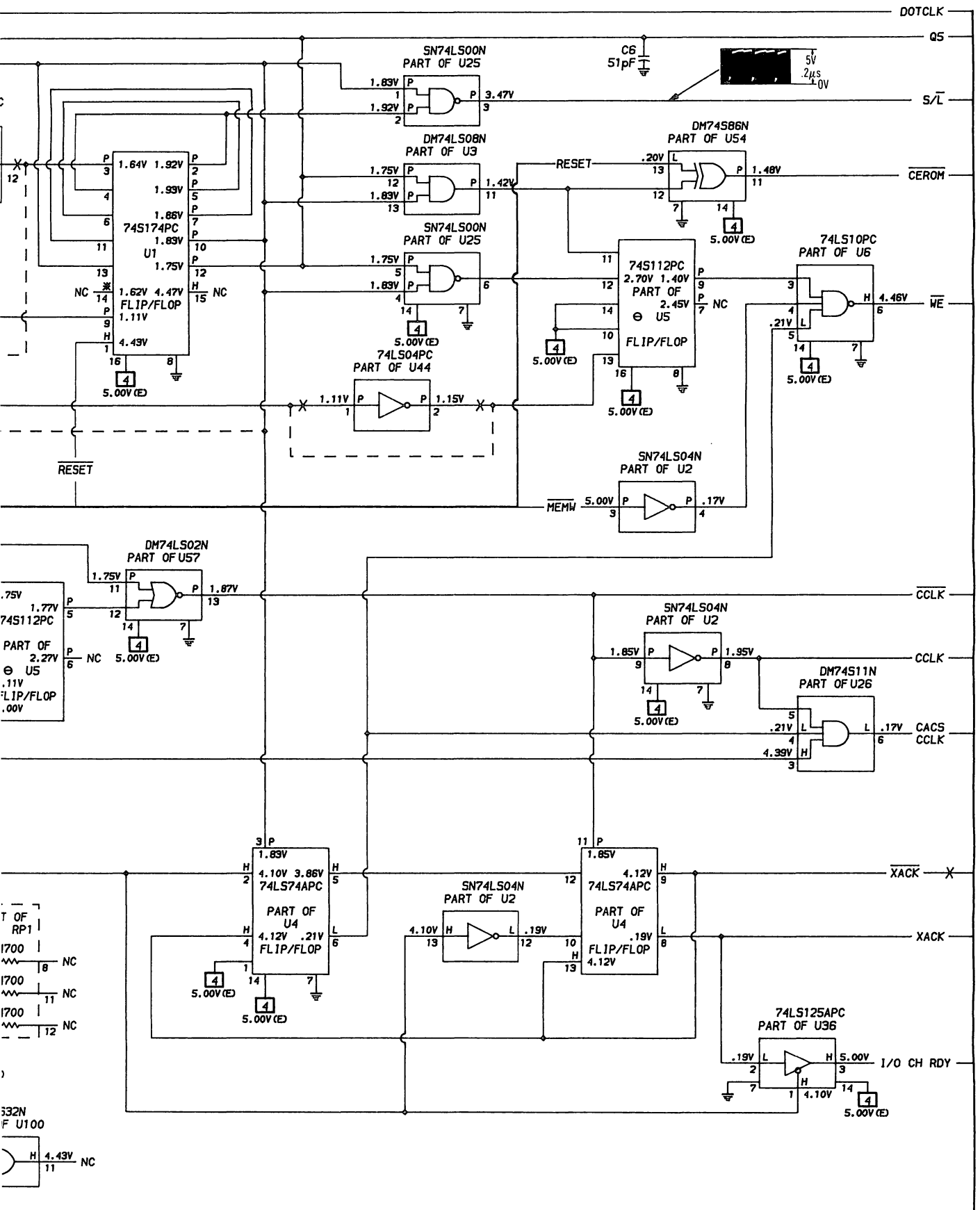
LINE IDENTIFICATIONS USED AS REFERENCE

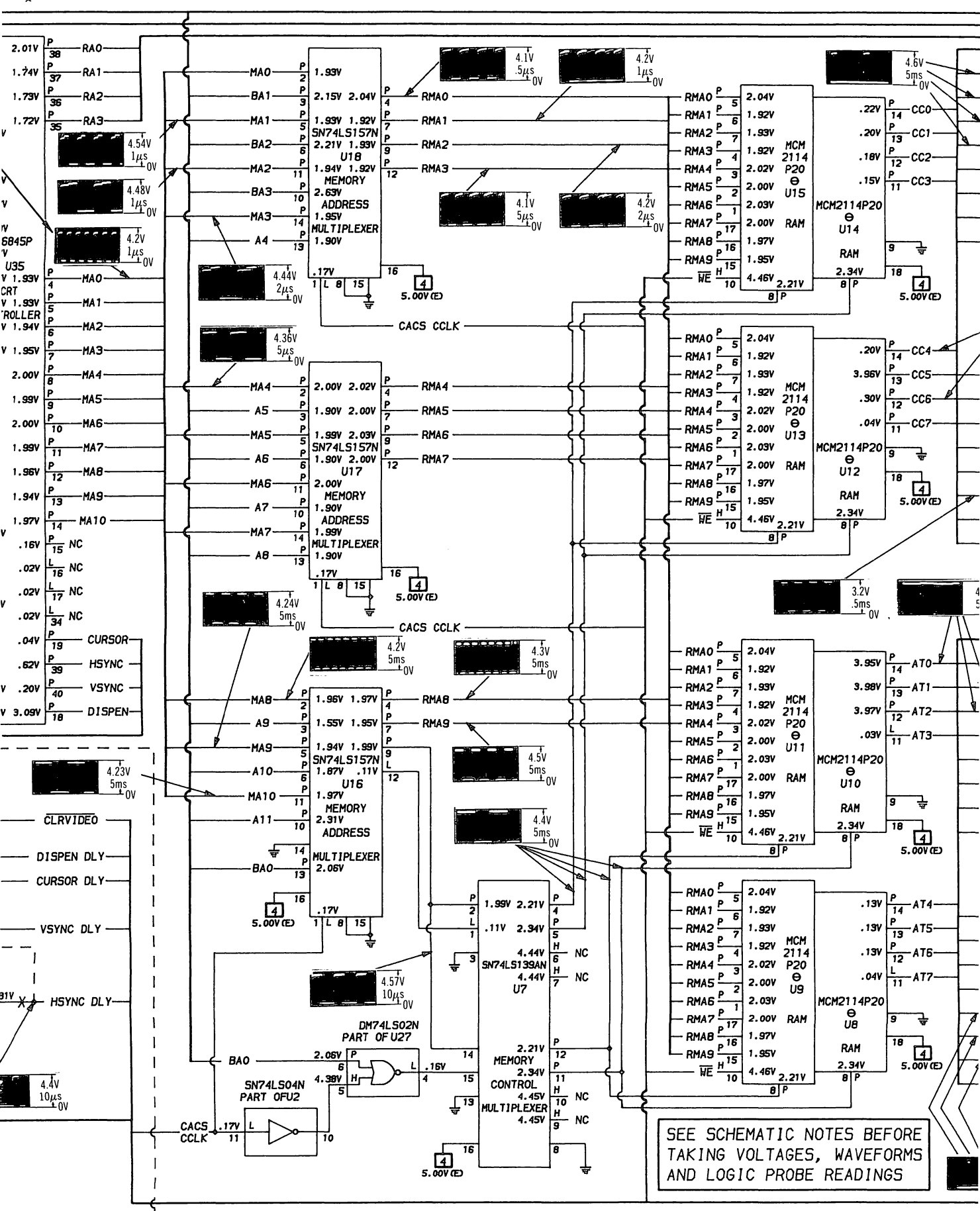
SEE SCHEMATIC NOTES BEFORE TAKING VOLTAGES, WAVEFORMS AND LOGIC PROBE READINGS











SEE SCHEMATIC NOTES BEFORE
TAKING VOLTAGES, WAVEFORMS
AND LOGIC PROBE READINGS

**COLOR GRAPHIC
MONITOR ADAPTER****KEYBOARD, SYSTEM BOARD,
PRINTER ADAPTER,
POWER SUPPLY**

See Folder CSCS2.

IBM
MODEL 5150
CSCS2-BIBM
MODEL 5150
CSCS2-B**INDEX**

	Page		Page
GridTrace Location Guide		Photos	
Color Graphics Monitor Adapter	13	Color Graphic Monitor Adapter	5,12,13
Line Definitions	4	Schematics	
Logic Charts	7,8,9	Color Graphic Monitor	
Parts List	9,10	Adapter	2,3,14,15,16,17
		IC Pinouts and Terminal Guides	6,11
		Notes	4

SAMS™**Howard W. Sams & Co.**

4300 West 62nd Street, P.O. Box 7092, Indianapolis, Indiana 46206 U.S.A.

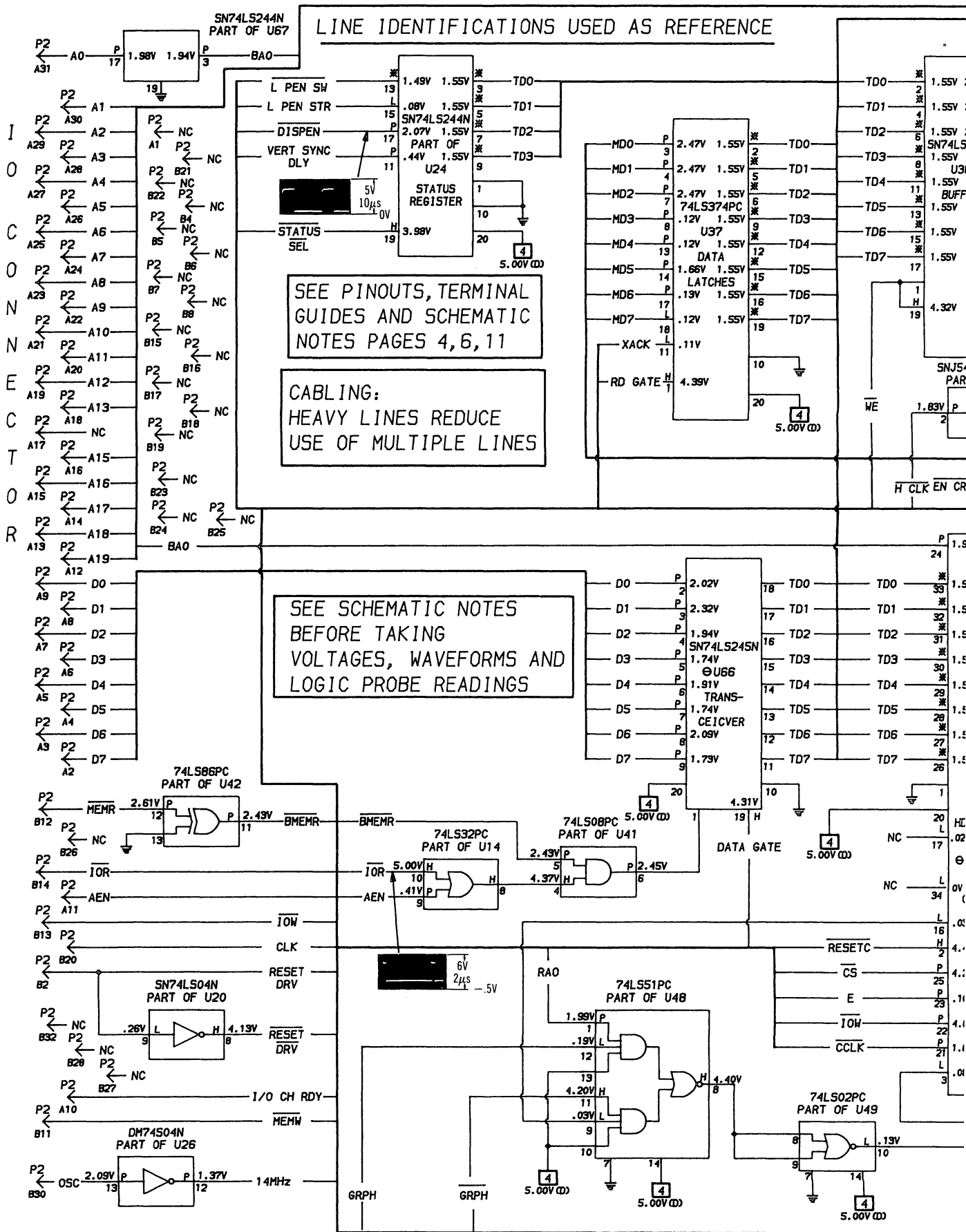
The listing of any available replacement part herein does not constitute in any case a recommendation, warranty or guaranty by Howard W. Sams & Co. as to the quality and suitability of such replacement part. The numbers of these parts have been compiled from information furnished to Howard W. Sams & Co. by the manufacturers of the particular type of replacement part listed.

Reproduction or use, without express permission, of editorial or pictorial content, in any manner, is prohibited. No patent liability is assumed with respect to the use of the information contained herein.

© 1984 Howard W. Sams & Co.

4300 West 62nd Street, P.O. Box 7092, Indianapolis, Indiana 46206 U.S.A.

Printed in U.S. of America. **84CF14923****DATE 9-84**

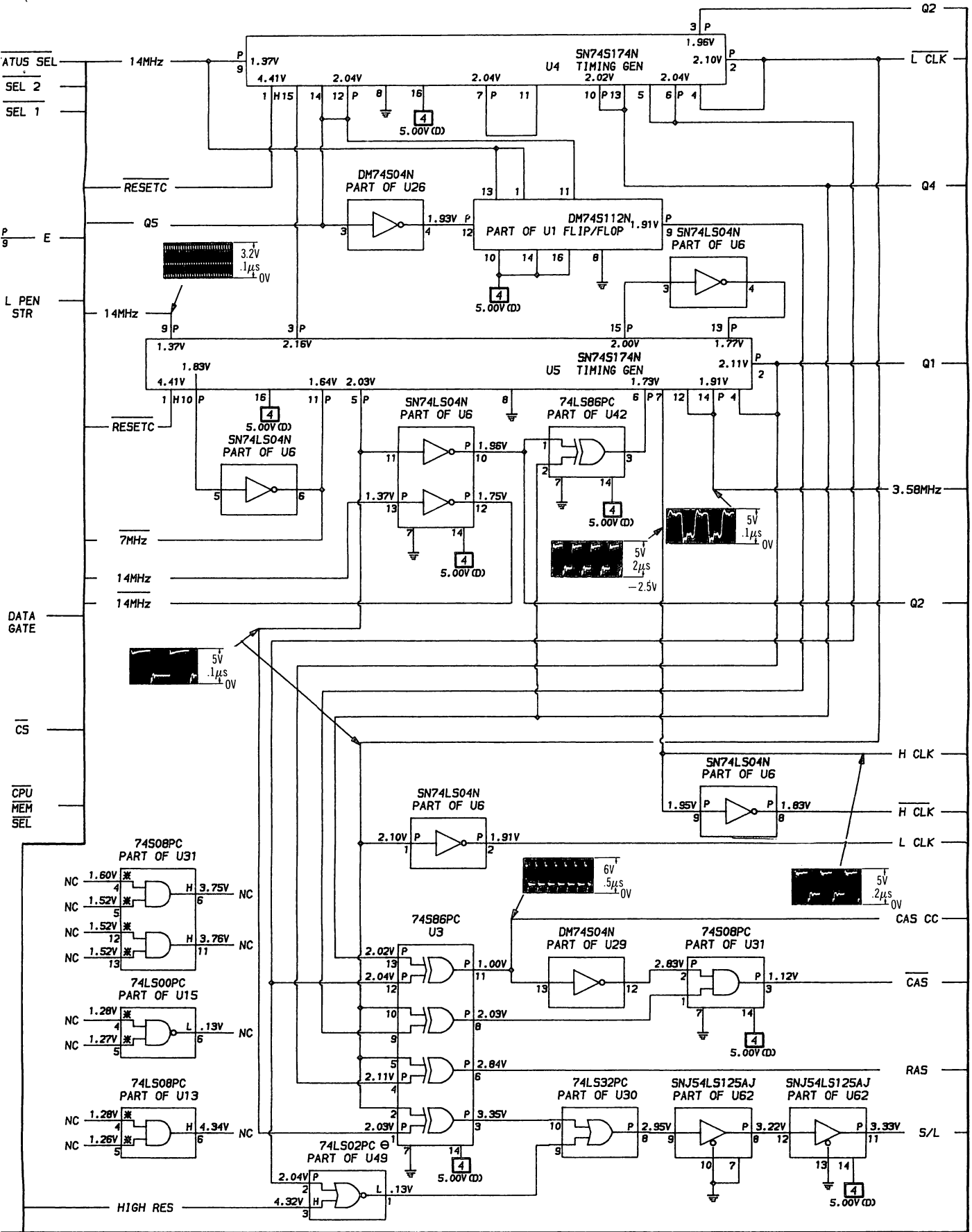


LINE IDENTIFICATIONS USED AS REFERENCE

SEE PINOUTS, TERMINAL GUIDES AND SCHEMATIC NOTES PAGES 4, 6, 11

CABLING: HEAVY LINES REDUCE USE OF MULTIPLE LINES

SEE SCHEMATIC NOTES BEFORE TAKING VOLTAGES, WAVEFORMS AND LOGIC PROBE READINGS



COLOR GRAPHIC MONITOR ADAPTER

LINE DEFINITIONS

A0 Thru A13	Address Lines	H CLK	Horizontal Clock
A15 Thru A19	Address Lines	HIGH RES	High Resolution
AEN	Address Enable	HORIZ SYNC	Horizontal Sync
AT LATCH		HORIZ SYNC DLY	Horizontal Sync Delay
AT0 Thru AT7		I/O CH RDY	I/O Channel Ready
BA0	Buffered Address	IOR	I/O Read
BACKGROUND 1	Color Background One	IOW	I/O Write
BLUE		L CLK	Light Clock
BMEMR	Buffered Memory Read	L PEN INPUT	Light Pen Input
BW, BW1, BW2	Buffered Write Lines	L PEN STR	Light Pen Strobe
C0, C1	Control Lines	L PEN SW	Light Pen Switch
CA0 Thru CA11	Column Address Lines	MA0 Thru MA6	Memory Address Lines
CAS	Column Address Strobe	MD0 Thru MD7	Memory Data Lines
CAS CC	Column Address Strobe Closed Circuit	MEMR	Memory Read
CC LATCH		MEMW	Memory Write
CC0 Thru CC7		MUX A, MUX B	
CCLK	Control Clock	OSC	Oscillator
CLK	Clock	OVERSCAN B	Overscan Blue
CLR S/R	Clear Shift Register	OVERSCAN G	Overscan Green
COLOR SEL	Color Select	OVERSCAN R	Overscan Red
CPU MEM SEL	Central Processing Unit Memory Select	OVERSCAN 1	Overscan Luminance
CS	Chip Select	Q1,Q2,Q4,Q5	Accumulator Extension Lines
CURSOR	Cursor Select	RA0 Thru RA2	Read Address Lines
CURSOR DLY	Cursor Delay	RAS	Row Address Strobe
CYAN		RD GATE	Read Gate
D0 Thru D7	Data Lines	RED	
DATA GATE	Data Gate	RESET C	Reset Control
DISPEN	Display Enable	RESET DRV	Reset Driver
DISPEN DLY	Display Enable Delay	S/L	
DOT CLK	Dot Clock	SEL BLUE	Select Blue
E		SEL1, SEL2	Select Lines
EN CPU CAS ADDR	Enable Central Processing Unit Column Address Strobe Addr	STATUS SEL	Status Select
EN CPU RAS ADDR	Enable Central Processing Unit Row Address Strobe Addr	STR	Strobe
EN CRT CAS ADDR	Enable CRT Column Address Strobe Addr	TD0 Thru TD7	Transceiver Data Lines
EN CRT RAS ADDR	Enable CRT Row Address Strobe Addr	VERT SYNC	Vertical Sync
ENABLE BLINK	Enable Blink	VERT SYNC DLY	Vertical Sync Delay
GRPH	Graphics	VIDEO ENABLE	Video Enable
GRPH EN	Graphics Enable	WE	Write Enable
		XACK	Buffered Acknowledge
		YELLOW BURST	
		3.58MHz	Color Oscillator
		7MHz	7MHz Oscillator
		14MHz	14MHz Oscillator

Any Bar above any alphabetical or numerical combination indicates line active in a low (0) state.

SCHEMATIC NOTES

- *— Circuitry not used in some versions
- Circuitry used in some versions
- ⊙ See parts list
- ⊕ Ground
- ⌚ Chassis
- ▽ Common tie point

Waveforms and voltages taken from ground, unless noted otherwise.

Voltages, Waveforms and Logic probe readings taken with computer turned On, no keys pressed, unless otherwise noted.

Waveforms taken with triggered scope and Sweep/Time switch in Calibrate position, scope input set for DC coupling on 0 reference voltage waveforms. Switch to AC input to view waveforms after DC reference is measured when necessary. Each waveform is 7 cm. width with DC reference voltage given at the bottom line of each waveform.

Time in μ sec. per cm, given with p-p reading at the end of each waveform.

Item numbers in rectangles appear in the alignment/adjustment instructions.

Supply voltages maintained as shown at input.

Voltages measured with digital meter, no signal.

Controls adjusted for normal operation.

Terminal identification may not be found on unit.

Capacitors are 50 volts or less, 5% unless noted.

Electrolytic capacitors are 50 volts or less, 20% unless noted.

Resistors are 1/2W or less, 5% unless noted.

Value in () used in some versions.

Measurements with switching as shown, unless noted.

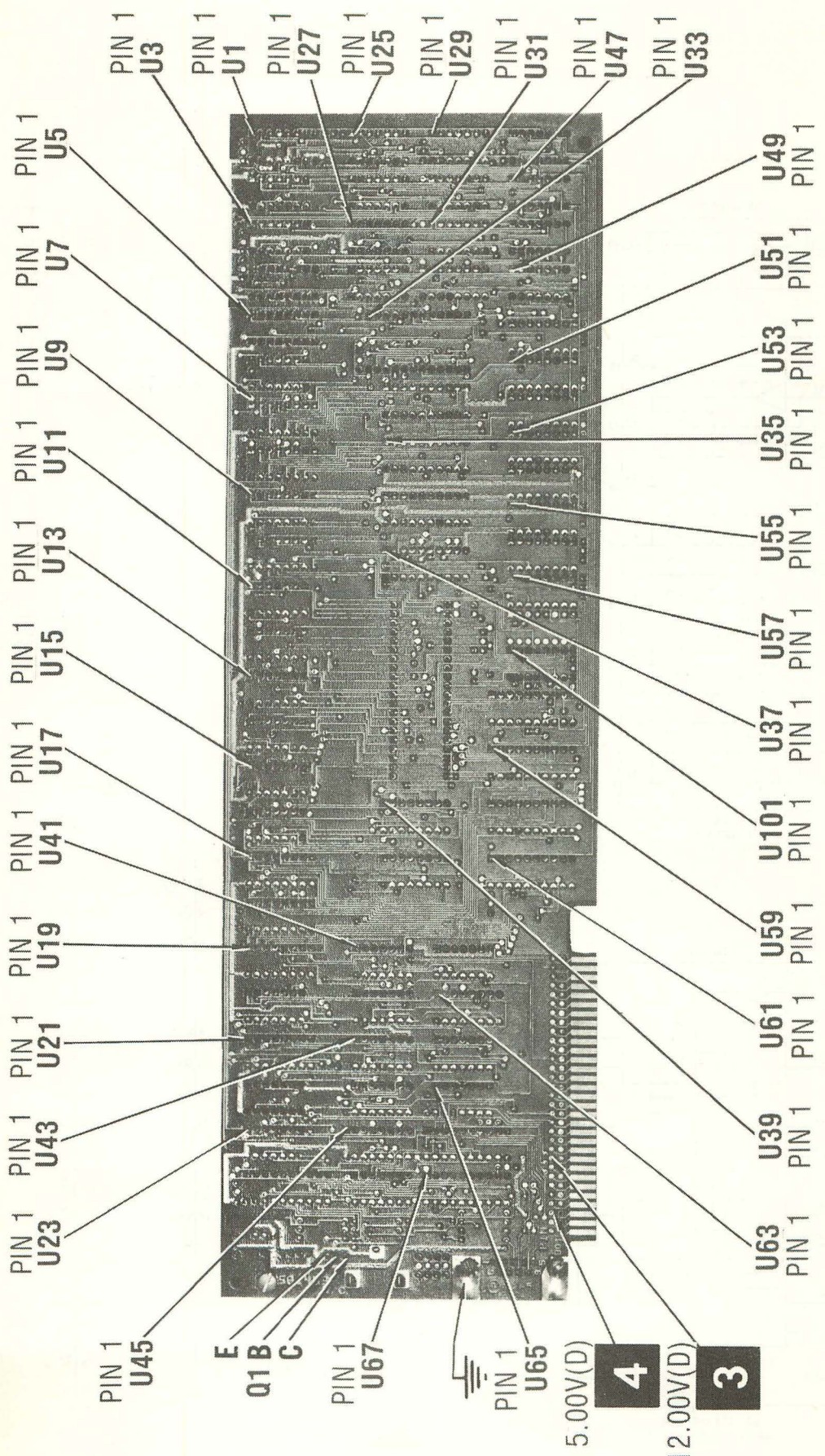
Logic Probe Display

L = Low

H = High

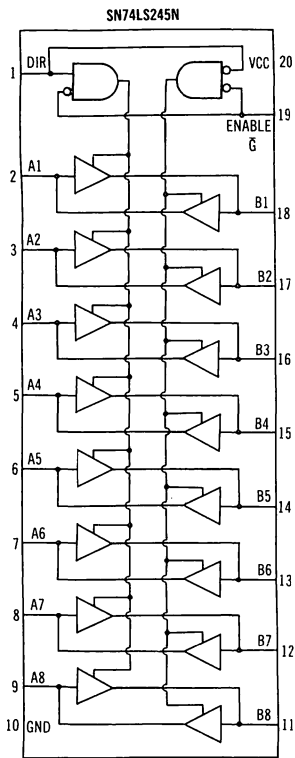
P = Pulse

* = Open (No light On)

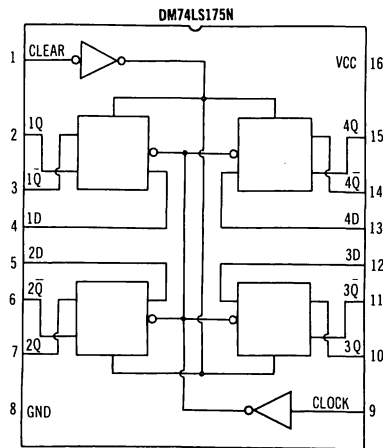


CSCS2-B
 IBM
 MODEL 5150

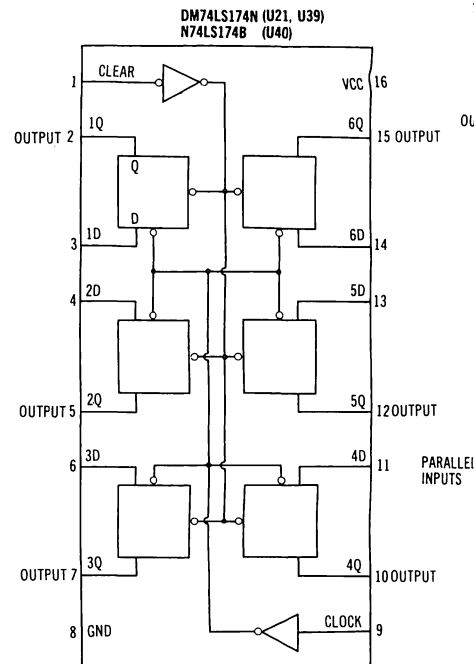
IC PINOUTS & TEST



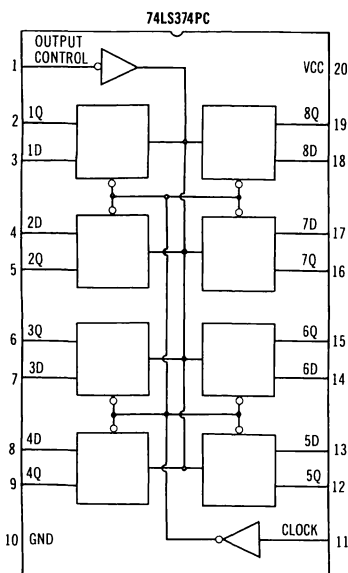
U66
TRANSCEIVER
TOP VIEW



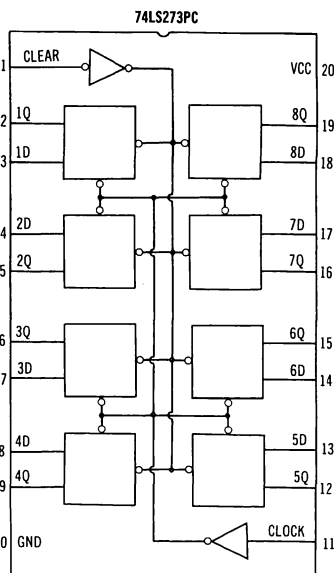
U63
FLIP/FLOP
TOP VIEW



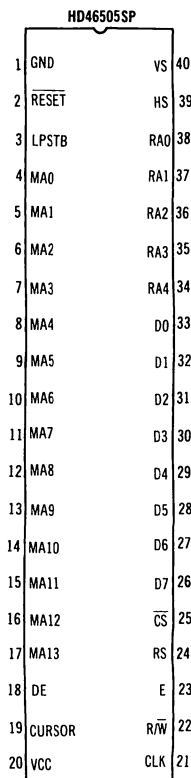
U21, U39, U40
FLIP/FLOP (U21)
PALETTE OVERSCAN (U39)
MODE CONTROL (U40)
TOP VIEW



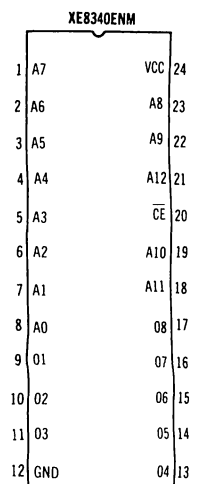
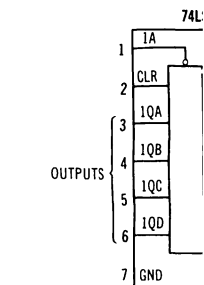
U37, U58 THRU U61
DATA LATCH, ADDRESS LATCH
TOP VIEW



U34, U35
DATA LATCH
TOP VIEW



U38
CRT CONTROLLER
TOP VIEW



U33
PROGRAMMABLE
ROM
TOP VIEW

COLOR GRAPHIC MONITOR ADAPTER LOGIC

PIN NO.	IC U1	IC U2	IC U3	IC U4	IC U5	IC U6	IC U7	IC U8	IC U9	IC U10	IC U11	IC U12	IC U13	IC U14	IC U15
1	P	H	P	H	H	P	L	L	P	P	H	P	P	H	P
2	P	H	P	H	H	P	L	L	P	P	H	P	P	H	P
3	P	H	P	H	H	P	L	L	P	P	H	P	P	H	P
4	H	H	P	P	P	P	L	L	P	L	H	P	*	P	*
5	P	H	P	P	P	P	L	L	L	L	L	P	*	P	*
6	P	L	P	P	P	P	L	L	L	L	H	P	H	P	L
7	P	L	P	P	P	P	L	L	L	L	L	P	L	L	L
8	L	L	P	L	L	L	L	L	L	L	L	L	H	L	L
9	P	H	P	P	P	P	P	P	P	L	P	P	H	P	H
10	H	L	P	P	P	P	P	P	L	L	H	P	H	H	P
11	P	P	P	P	P	P	P	P	L	L	P	P	H	H	H
12	P	H	P	P	P	P	P	P	L	L	P	L	H	H	L
13	P	H	P	P	P	H	P	P	L	L	P	P	P	L	P
14	H	H	H	P	P	H	P	P	L	L	H	H	H	H	H
15	H	H	H	P	P	H	P	P	L	L	H	H	H	H	H
16	H	H	H	H	H	H	H	H	H	H	H	H	H	H	H
PIN NO.	IC U16	IC U17	IC U18	IC U19	IC U20	IC U21	IC U22	IC U23	IC U24	IC U25	IC U26	IC U27	IC U28	IC U29	IC U30
1	P	P	P	P	P	H	P	P	L	P	P	P	H	P	P
2	P	P	P	P	P	P	L	P	*	P	P	P	P	*	P
3	L	P	P	P	P	P	H	H	*	*	H	P	P	L	H
4	H	P	P	P	L	P	L	L	*	*	L	L	L	L	L
5	H	P	P	P	H	P	L	L	*	*	L	L	L	L	L
6	L	H	P	P	L	P	L	L	*	H	P	P	H	L	L
7	L	H	P	P	L	P	L	L	*	P	P	P	L	L	L
8	L	H	P	P	L	P	L	L	*	P	P	P	L	L	L
9	L	H	P	H	L	P	H	P	*	H	P	H	P	L	L
10	L	H	P	H	L	P	H	P	L	P	P	H	P	L	L
11	L	H	P	H	L	P	H	P	L	P	P	H	P	L	L
12	L	H	P	H	L	P	H	P	L	P	P	H	P	L	L
13	H	H	P	H	P	P	L	L	*	P	P	H	H	P	P
14	H	H	P	H	H	P	L	L	*	H	H	H	H	H	H
15	H	H	P	H	H	P	L	L	*	H	H	H	H	H	H
16	H	H	H	H	H	H	H	H	L	L	H	H	H	H	H
17									P						
18									P						
19									H						
20									H						

NOTE: Logic probe readings taken with computer turned
On, no keys pressed, unless otherwise noted.

Logic Probe Display

L = Low

H = High

P = Pulse

* = Open (No light On)

CSCS2-B
IBM
MODEL 5150

COLOR GRAPHIC MONITOR ADAPTER LOGIC (Continued)

PIN NO.	IC U31	IC U32	IC U33	IC U34	IC U35	IC U36	IC U37	PIN NO.	IC U38	PIN NO.	IC U38	PIN NO.	IC U39	IC U40	IC U41
1	P	L	P	H	P	H	H	1	L	21	P	1	H	H	P
2	P	L	P	L	L	*L	*P	2	H	22	P	2	L	H	P
3	P	P	P	L	L	L	P	3	L	23	P	3	L	*	P
4	*	P	P	L	L	*	P	4	L	24	P	4	*	*	H
5	H	P	P	P	L	P	*	5	P	25	P	5	L	L	P
6	L	L	P	P	L	*P	*P	6	P	26	*	6	*	*	P
7	L	L	P	P	L	P	P	7	P	27	*	7	L	L	L
8	L	L	P	P	P	*	P	8	P	28	*	8	L	L	L
9	L	P	L	P	L	P	*	9	P	29	*	9	H	H	P
10	L	P	L	L	L	L	L	10	P	30	*	10	L	H	P
11	H	P	P	L	L	*	L	11	P	31	*	11	*	*	P
12	*	P	L	P	L	P	*	12	P	32	*	12	H	L	P
13	H	P	P	P	P	*	P	13	P	33	*	13	*	*	P
14	H	P	P	P	P	P	P	14	P	34	L	14	*	*	H
15		P	P	P	P	*	*	15	P	35	L	15	H	H	
16		H	P	P	P	P	*	16	L	36	P	16	H	H	
17			P	P	P	*	P	17	L	37	P				
18			H	P	P	P	L	18	P	38	P				
19			L	P	P	H	*	19	P	39	P				
20			P	H	H	H	H	20	H	40	P				
21			H												
22			P												
23			P												
24			H												

PIN NO.	IC U42	IC U43	IC U44	IC U45	IC U46	IC U47	IC U48	IC U49	IC U50	IC U51	IC U52	IC U53	IC U54	IC U55	IC U56
1	P	P	H	P	L	L	P	L	*	*	*	*	*	*	*
2	P	L	P	P	P	L	P	P	L	P	P	P	P	P	P
3	P	P	P	P	H	H	P	H	H	H	H	H	H	H	H
4	P	H	H	L	L	P	P	P	P	P	P	P	P	P	P
5	P	L	P	P	P	L	P	P	P	P	P	P	P	P	P
6	P	H	P	P	H	H	L	P	P	P	P	P	P	P	P
7	L	L	L	L	L	L	H	L	H	H	H	H	H	H	H
8	P	L	L	L	L	L	H	H	*	*	*	*	*	*	*
9	L	P	P	P	H	H	L	H	P	P	P	P	P	P	P
10	L	H	H	H	P	P	H	L	P	P	P	P	P	P	P
11	P	P	P	H	H	P	L	P	P	P	P	P	P	P	P
12	P	P	P	H	H	P	L	P	P	P	P	P	P	P	P
13	L	H	H	P	P	H	H	P	P	P	P	P	P	P	P
14	H	H	H	P	H	H	H	H	L	L	L	L	L	L	L
15				P	P	H	H	P	P	P	P	P	P	P	P
16				H				H	L	L	L	L	L	L	L

NOTE: Logic probe readings taken with computer turned On, no keys pressed, unless otherwise noted.

Logic Probe Display

L = Low

H = High

P = Pulse

* = Open (No light On)

COLOR GRAPHIC MONITOR ADAPTER LOGIC (Continued)

PIN NO.	IC U57	IC U58	IC U59	IC U60	IC U61	IC U62	IC U63	IC U64	IC U65	IC U66	IC U67	IC U68	IC U101
1	*	P	P	H	H	P	P	H	L	P	L	P	H
2	P	P	P	P	P	P	P	H	P	P	P	L	P
3	H	P	P	P	P	P	P	P	P	P	P	L	P
4	P	P	P	P	P	H	H	P	P	P	P	P	P
5	P	P	P	P	P	L	P	P	P	P	P	L	P
6	P	P	P	P	P	H	P	P	P	P	P	L	P
7	P	P	P	P	P	L	P	L	L	P	P	L	P
8	H	P	P	P	P	P	L	P	H	P	L	L	L
9	*	P	P	P	P	P	P	P	P	P	P	P	P
10	P	L	L	L	L	L	P	L	L	L	L	P	L
11	P	P	P	P	P	P	P	L	*	*	P	P	L
12	P	P	P	P	P	P	P	L	*	*	L	P	H
13	P	P	P	P	P	L	P	L	L	*	P	L	H
14	P	L	P	P	P	H	P	H	H	*	P	H	H
15	P	P	P	P	P		P			*	P		H
16	L	H	P	P	P		H			*	P		H
17		*	P	P	P					*	P		
18		*	*	*	*					*	L		
19		H	H	*	*					H	H		
20		H	H	H	H					H	H		

NOTE: Logic probe readings taken with computer turned On, no keys pressed, unless otherwise noted.

Logic Probe Display

L = Low

H = High

P = Pulse

* = Open (No light On)

IBM
MODEL 5150

PARTS LIST AND DESCRIPTION

When ordering parts, state Model, Part Number, and Description

MISCELLANEOUS

ITEM No.	PART NAME	MFGR. PART No.	NOTES
	Adapter	8529146	Color Graphic Monitor

Part Numbers obtained from the IBM
Hardware Maintenance and Service Manual
(Part Number 6025072)
Courtesy of IBM

PARTS LIST AND DESCRIPTION (Continued)

When ordering parts, state Model, Part Number, and Description

SEMICONDUCTORS

ITEM No.	TYPE No.	MFGR. PART No.
COLOR GRAPHIC MONITOR ADAPTER		
Q1	2N3904	
U1	DM74S112N	
U2	SN74LS74AN	
U3	74S86PC	
U4,5	SN74S174N	
U6	SN74LS04N	
U7,8	SN74LS166AN	
U9,10	DM74153N	
U11	SN74LS74AN	
U12	74LS393PC	
U13	74LS08PC	
U14	74LS32PC	
U15	74LS00PC	
U16	SN74LS04N	
U17	SN74LS138N	
thru U19		
U20	SN74LS04N	
U21	DM74LS174N	
U22	74LS51PC	
U23	74LS32PC	
U24	SN74LS244N	
U25	74LS00PC	
U26	DM74S04N	
U27	74LS51PC	
U28	SN74LS10ND	
U29	DM74S04N	
U30	74LS32PC	
U31	74S08PC	

ITEM No.	TYPE No.	MFGR. PART No.
U32	SN74LS166AN	
U33	XE8340ENM MK36000	
U34,35	74LS273PC	
U36	SN74LS244N	
U37	74LS374PC	
U38	HD46505SP HD6845SP	
U39	DM74LS174N	
U40	N74LS174B	
U41	74LS08PC	
U42	74LS86PC	
U43,44	74S74PC	
U45	DM74LS151N	
U46	DM74LS00N	
U47,48	74LS51PC	
U49	74LS02PC	
U50	MK4516N-12	
thru U57	2118-4	
U58	74LS374PC	
thru U61		
U62	SNJ54LS125AJ 54LS125A/ BCBJC	
U63	DM74LS175N	
U64	74LS164PC	
U65	74LS02PC	
U66	SN74LS245N	
U67	SN74LS244N	
U68	74LS86PC	
U101	SN74S174N	

ELECTROLYTIC

CAPACITORS

Item numbers not listed are normally available at local distributors.

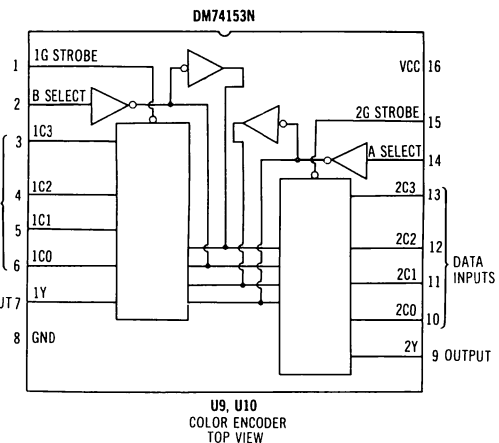
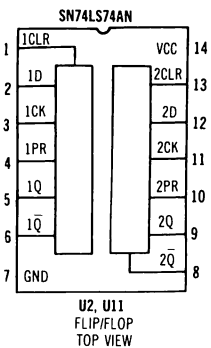
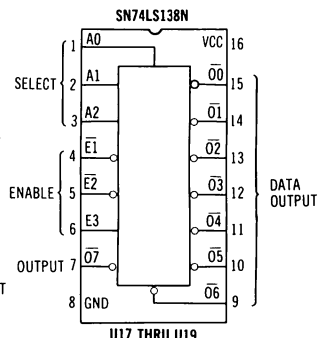
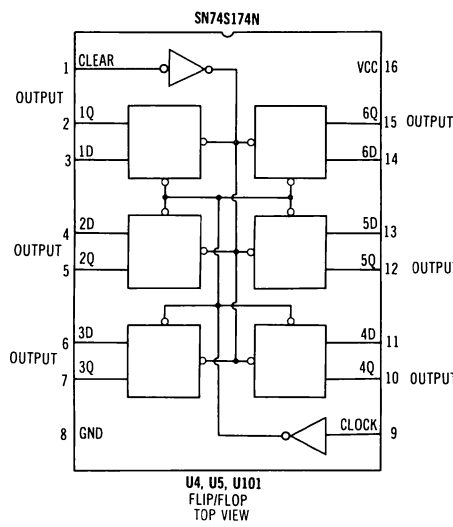
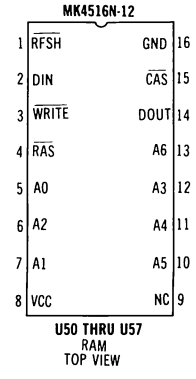
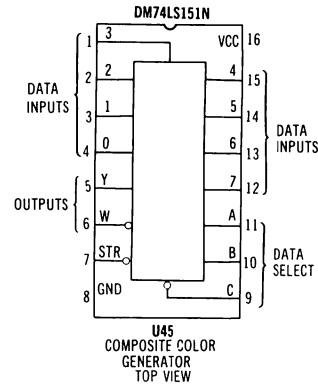
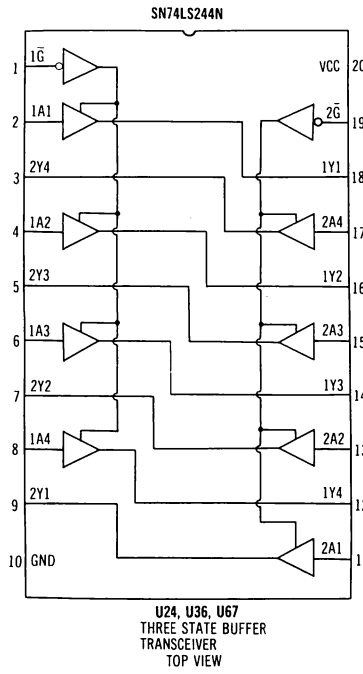
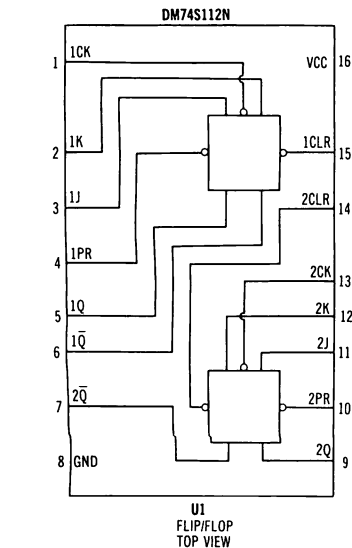
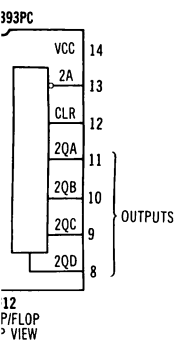
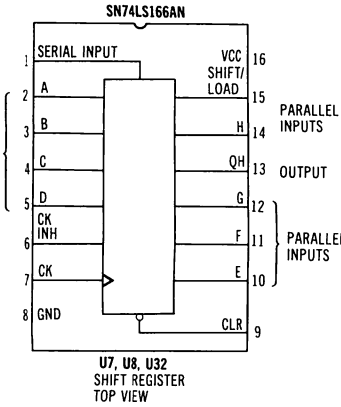
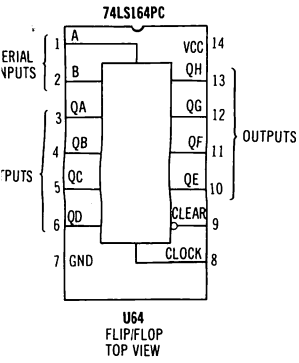
ITEM No.	RATING	MFGR. PART No.
COLOR GRAPHIC MONITOR ADAPTER		
C4	10 16V 10%	
C6	10 16V 10%	
C8	10 16V 10%	

ITEM No.	RATING	MFGR. PART No.
C16	10 16V 10%	
C19	10 16V 10%	
C24	10 16V 10%	
C29	10 16V 10%	

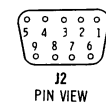
RESISTORS (Power and Special)

ITEM No.	RATING	REPLACEMENT DATA	
		MFGR. PART No.	NOTES
COLOR GRAPHIC MONITOR ADAPTER			
R1	100 1% 1/4W Carbon Film		

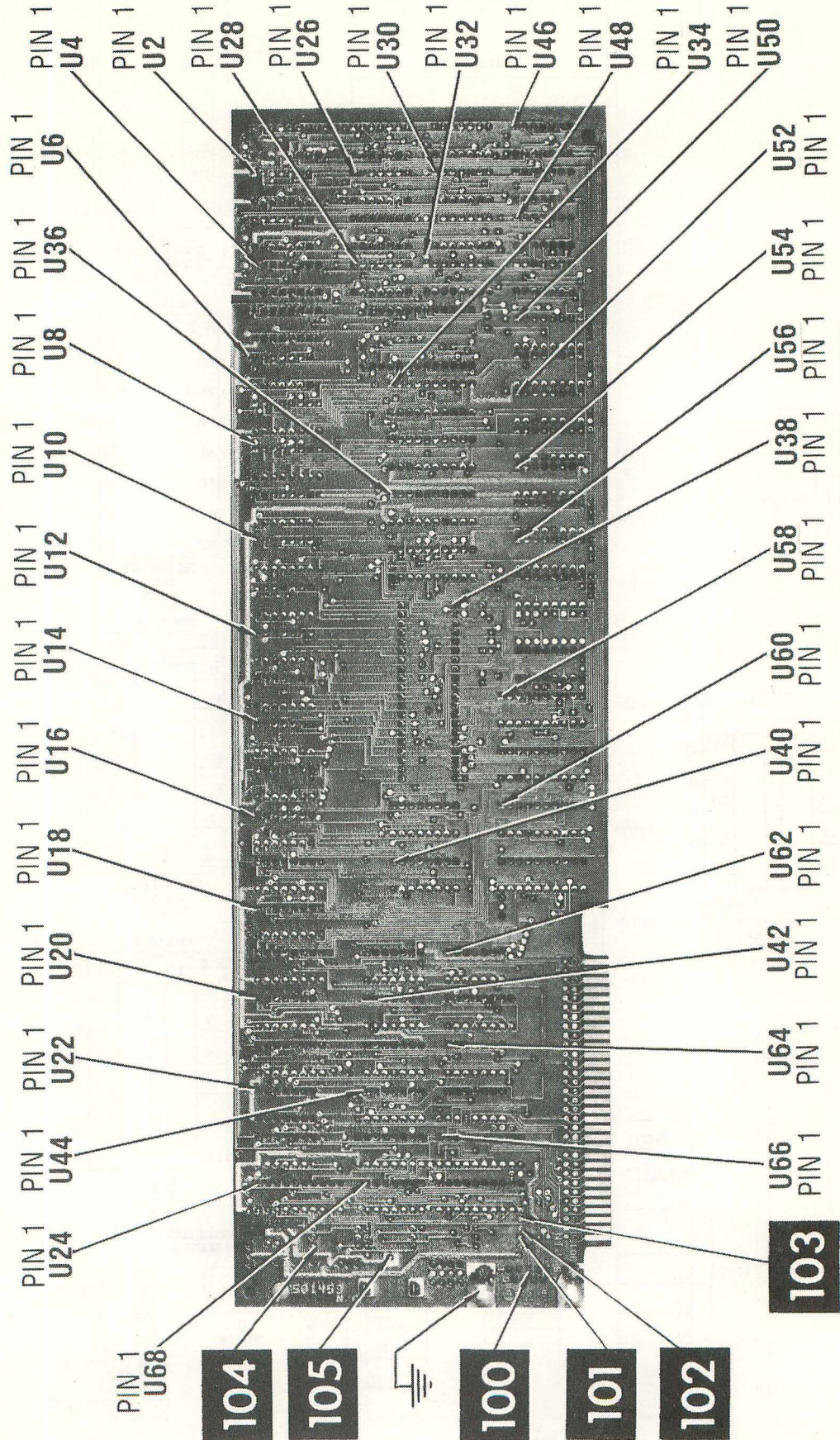
TERMINAL GUIDES



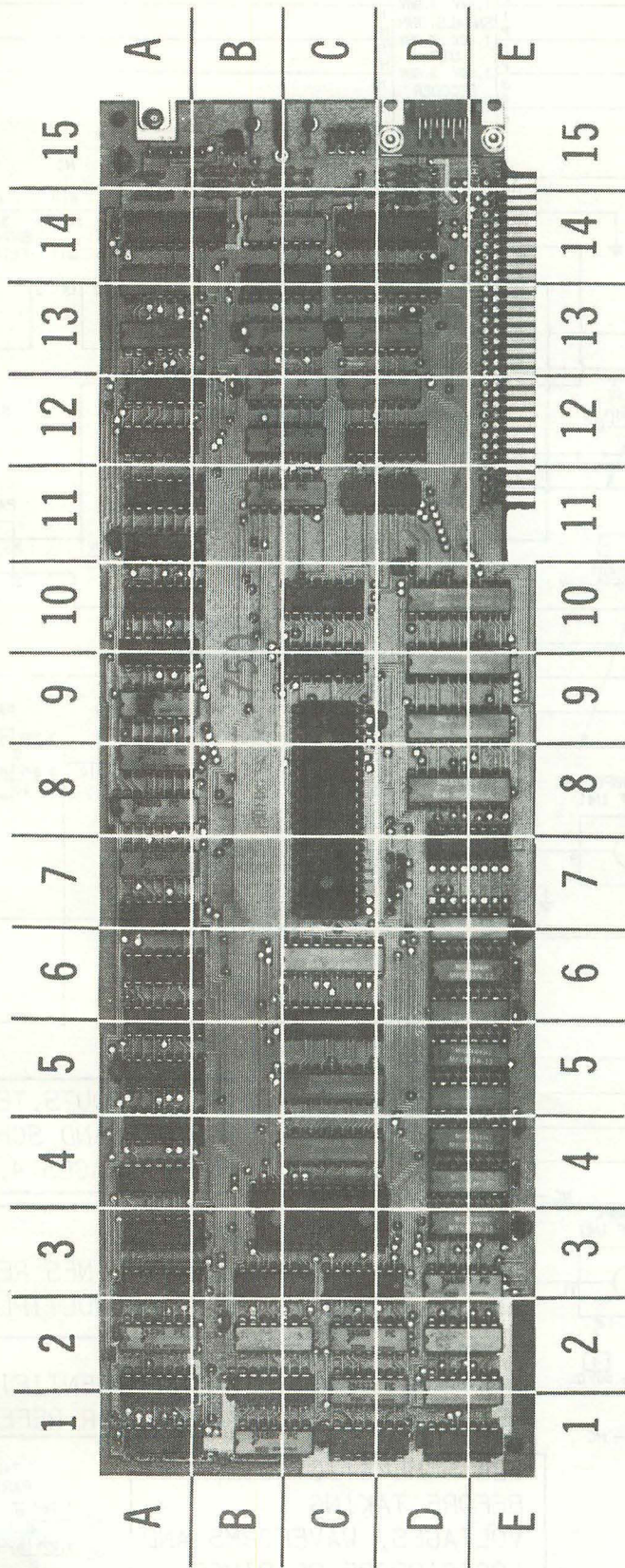
TERMINAL GUIDES COLOR GRAPHICS



IBM
MODEL 5150



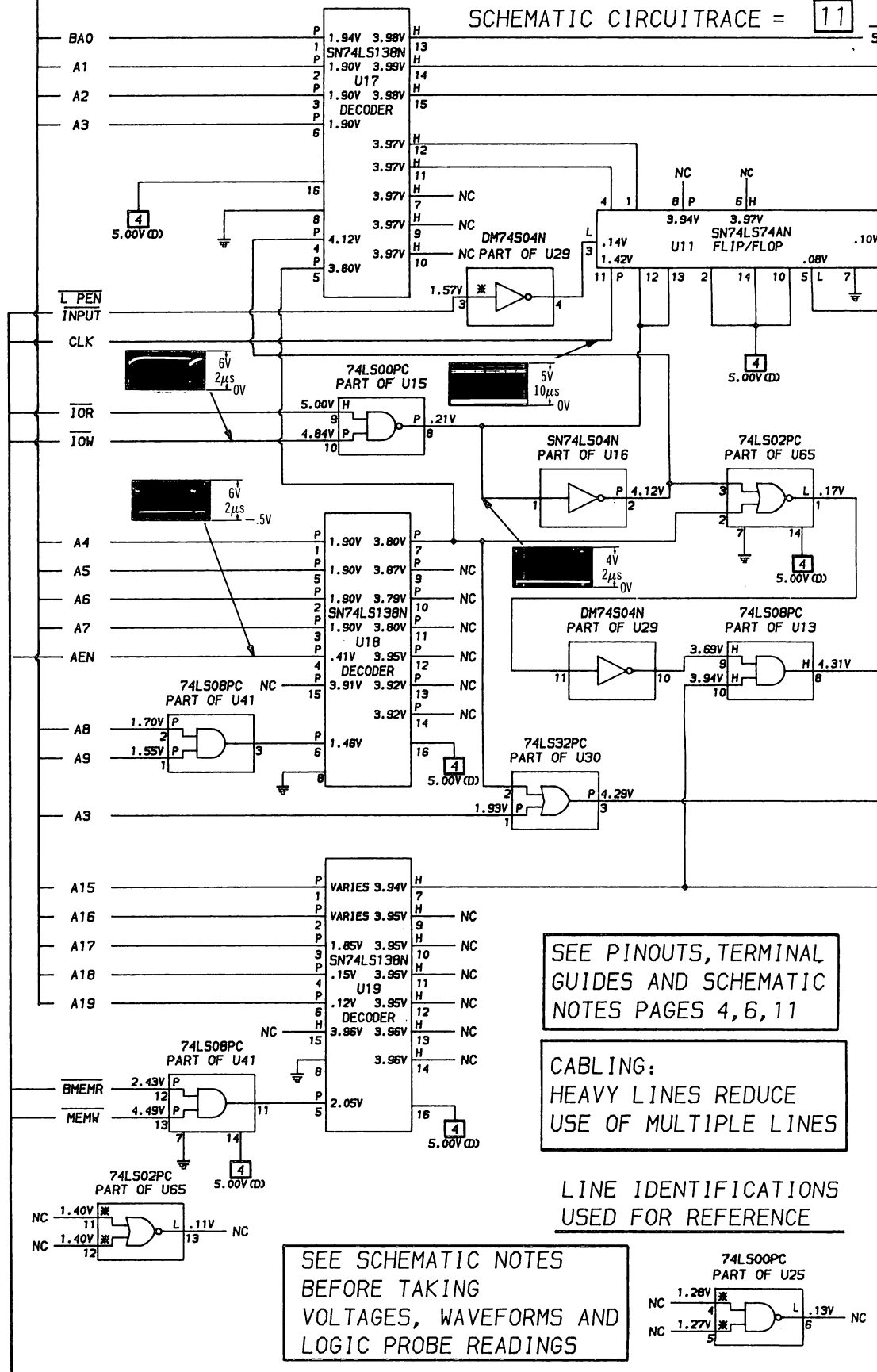
COLOR GRAPHIC MONITOR ADAPTER



COLOR GRAPHIC MONITOR ADAPTER GridTrace LOCATION GUIDE

C1	C18	P1	A-14	U3	U20	A-2	U20	A-12	U37	C-6	U54	A-5
C2	C19	P2	A-15	U4	U21	A-3	U21	A-12	U38	C-8	U55	A-6
C3	C20	Q1	B-15	U5	U22	A-3	U22	A-13	U39	C-9	U56	A-6
C4	C21	R1	B-14	U6	U23	A-4	U23	A-14	U40	C-10	U57	D-7
C5	C22	R2	D-7	U7	U24	A-4	U24	A-14	U41	B-11	U58	D-8
C6	C23	R4	B-15	U8	U25	A-5	U25	B-1	D42	B-12	U59	D-9
C7	C23A	R5	B-14	U9	U26	A-5	U26	B-2	U43	B-12	U60	D-9
C8	C24	R6	B-15	U10	U27	A-6	U27	B-2	U44	B-13	U61	D-10
C9	C25	R7	B-15	U11	U28	A-7	U28	B-3	U45	B-14	U62	D-11
C10	C26	R8	C-14	U12	U29	A-7	U29	B-3	U46	B-14	U63	D-12
C11	C27	R11	D-15	U13	U30	A-8	U30	C-1	U47	D-1	U64	D-12
C12	C28	R12	D-15	U14	U31	A-8	U31	C-1	U48	D-1	U65	D-13
C13	C29	R13	D-14	U15	U32	A-9	U32	C-2	U49	D-2	U66	D-14
C14	C30	R14	D-14	U16	U33	A-10	U33	C-3	U50	D-3	U67	D-14
C15	C32	R17	B-15	U17	U34	A-10	U34	C-3	U51	A-3	U68	D-14
C16	J1	U1	A-1	U18	U35	A-11	U35	C-4	U52	A-4	U101	B-14
C17	J2	U2	A-1	U19	U36	A-11	U36	C-5	U53	A-5		D-7

**IBM
MODEL 5150**

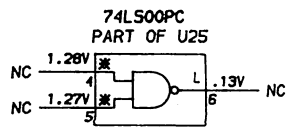


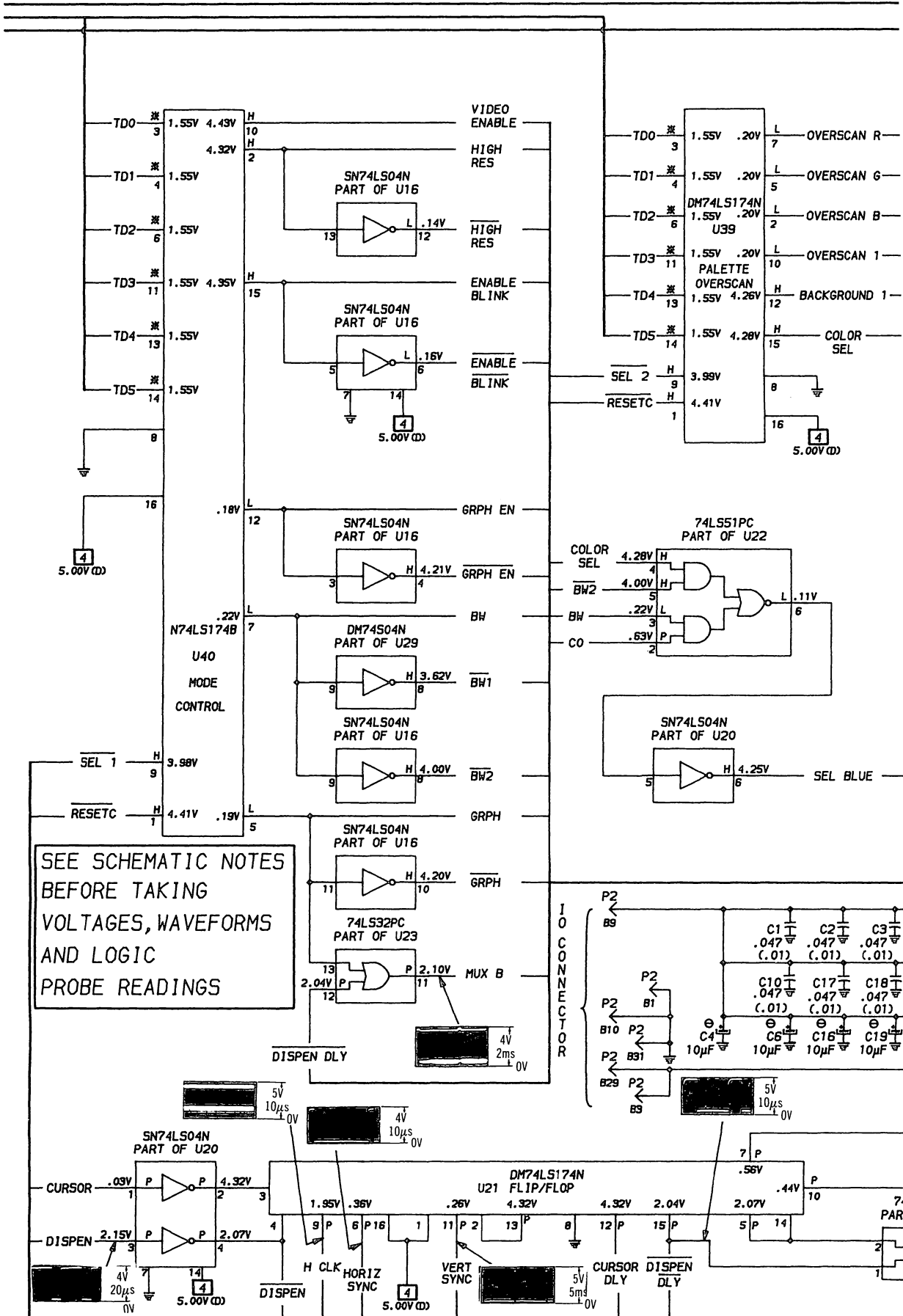
SEE PINOUTS, TERMINAL GUIDES AND SCHEMATIC NOTES PAGES 4, 6, 11

CABLING: HEAVY LINES REDUCE USE OF MULTIPLE LINES

LINE IDENTIFICATIONS USED FOR REFERENCE

SEE SCHEMATIC NOTES BEFORE TAKING VOLTAGES, WAVEFORMS AND LOGIC PROBE READINGS





SEE SCHEMATIC NOTES
BEFORE TAKING
VOLTAGES, WAVEFORMS
AND LOGIC
PROBE READINGS

A PHOTOFAC STANDARD NOTATION SCHEMATIC
WITH **CIRCUTRACE**

© Howard W. Sams & Co. 1984

COLOR GRAPHIC MONITOR ADAPTER

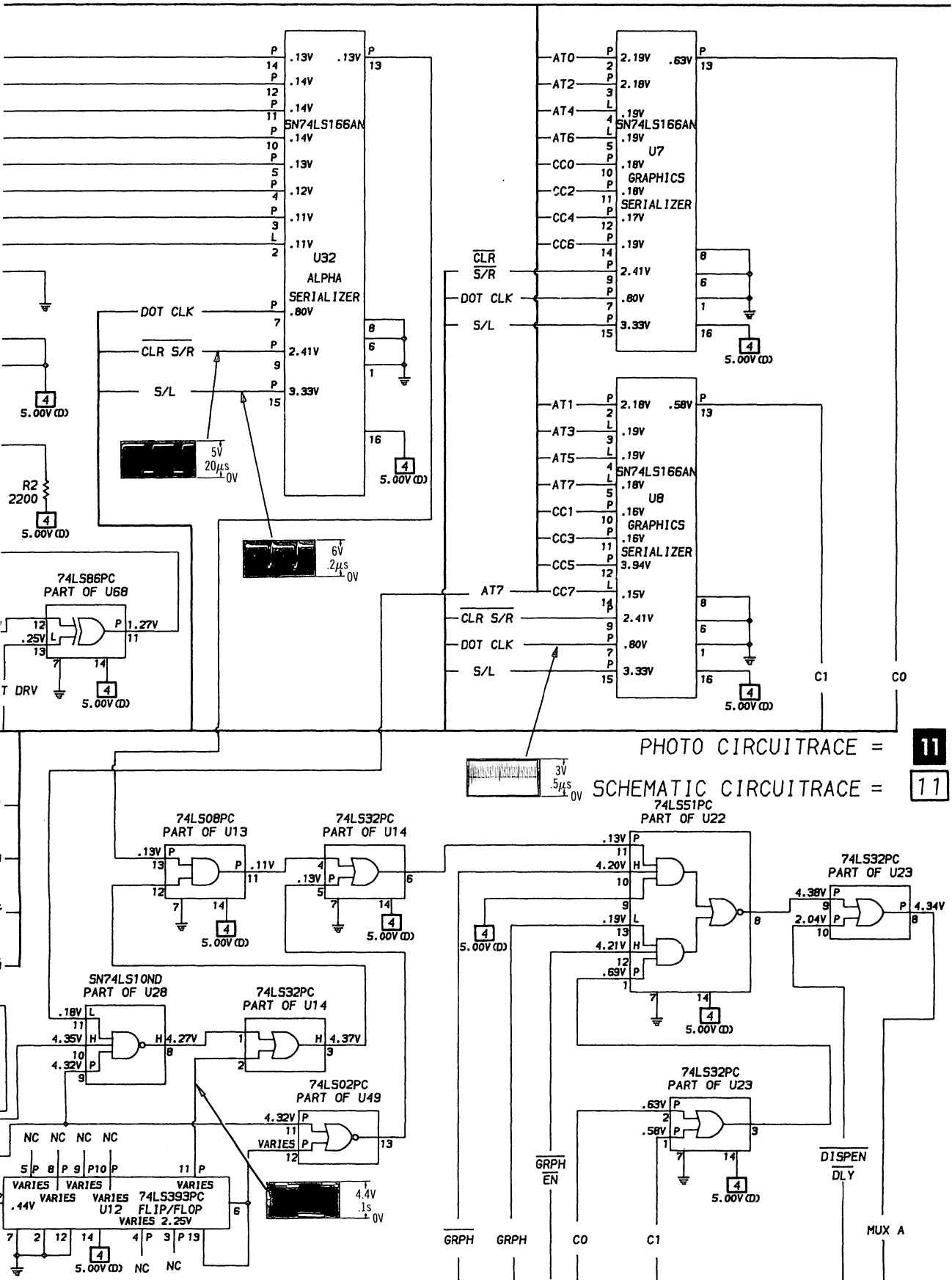
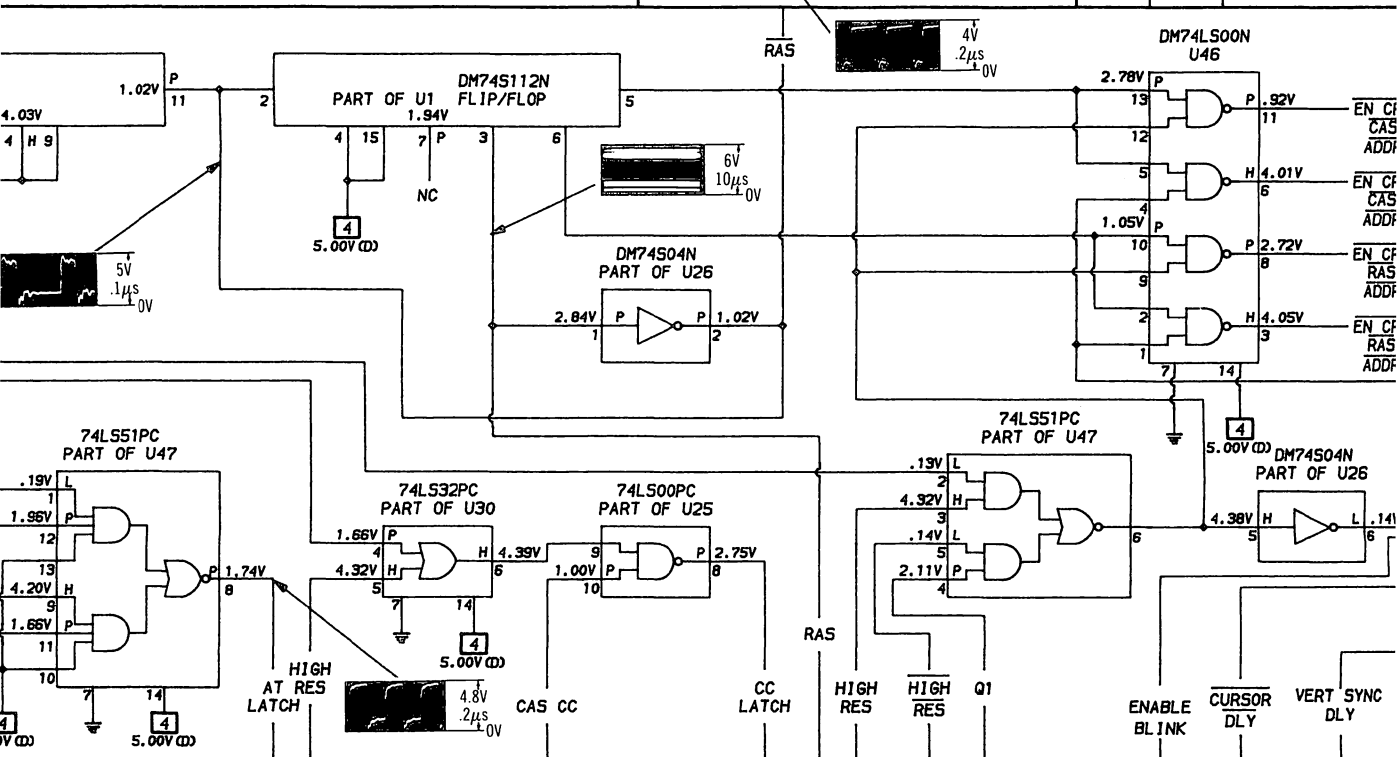
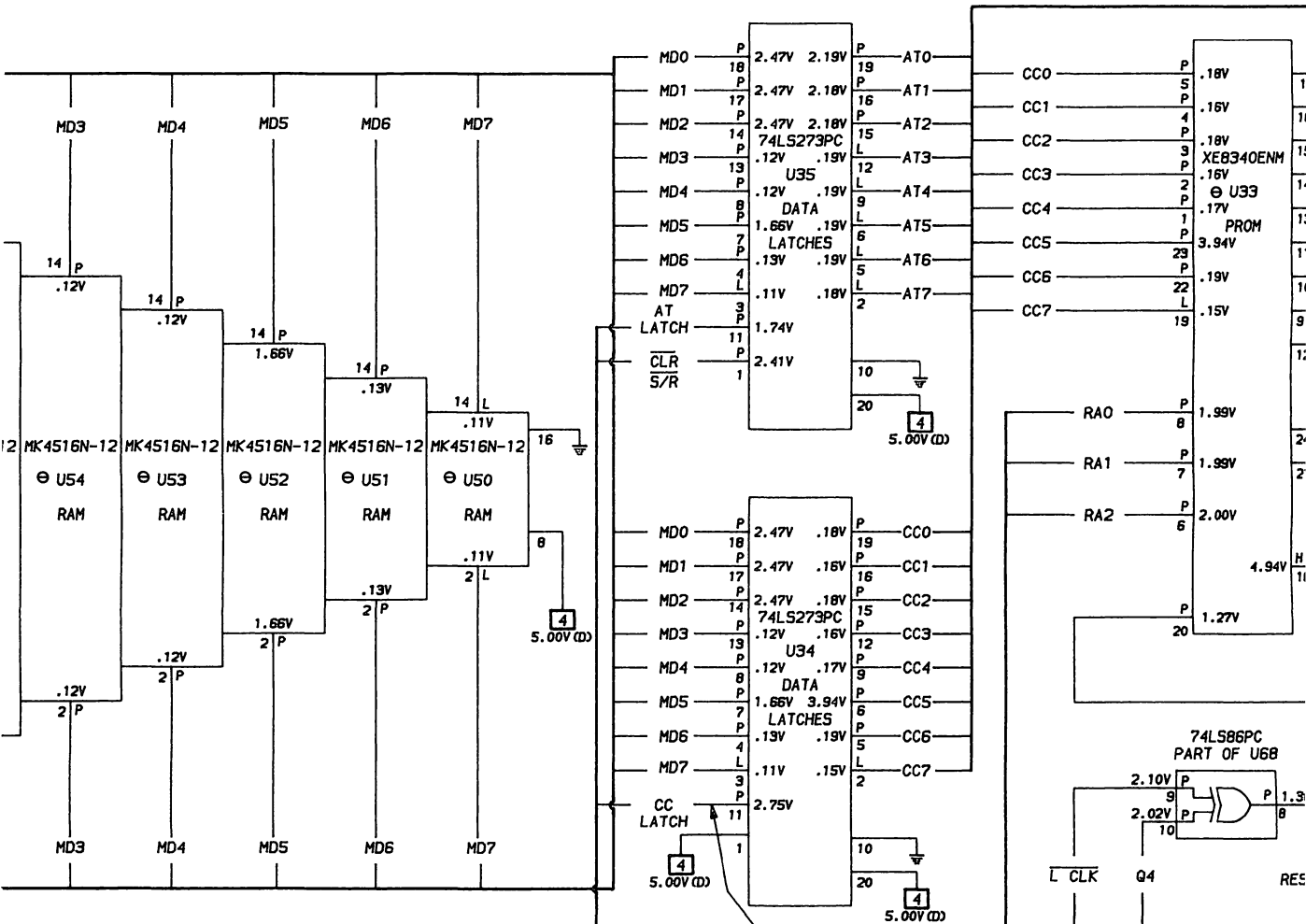
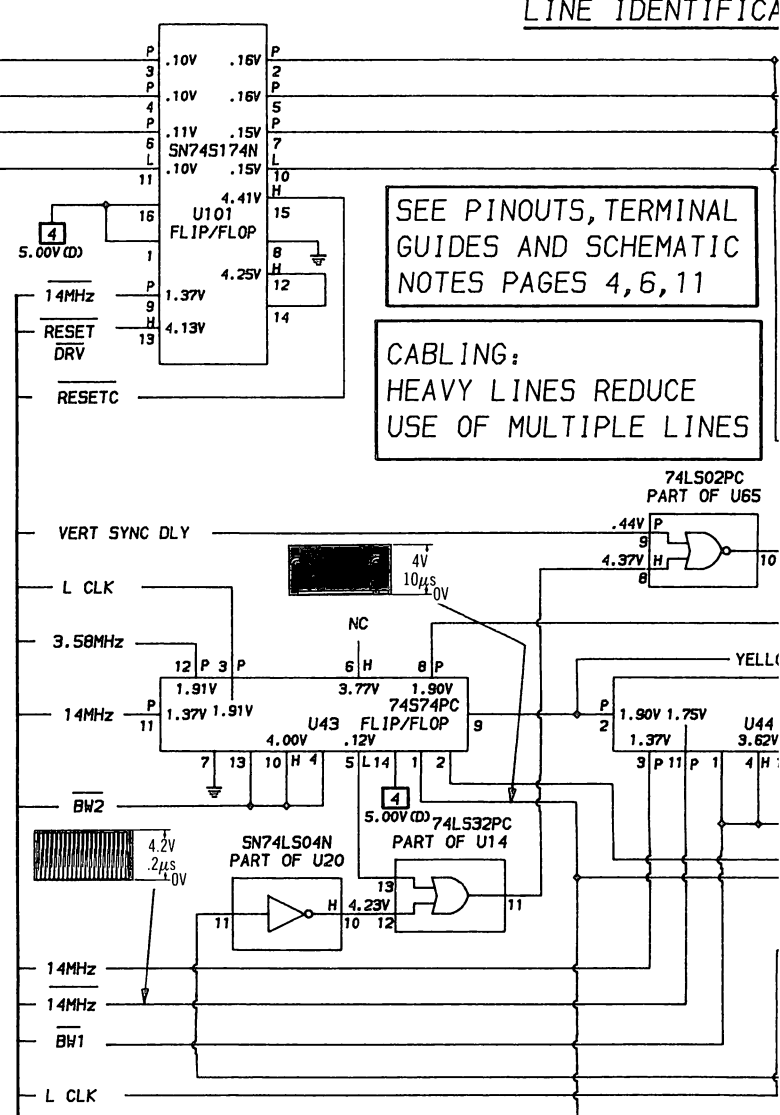
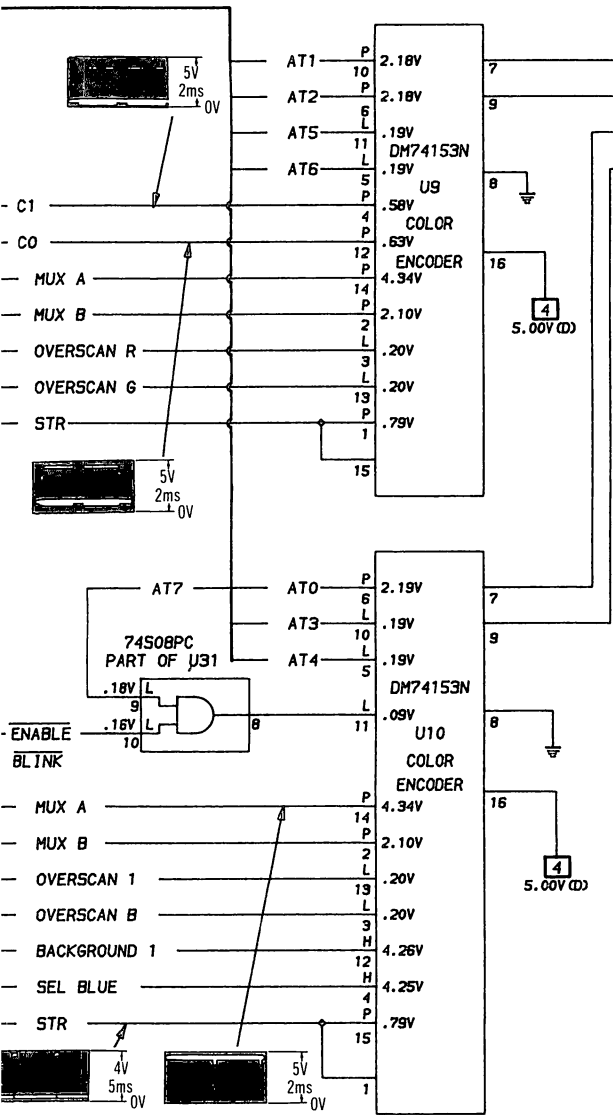


PHOTO CIRCUITRACE = 11

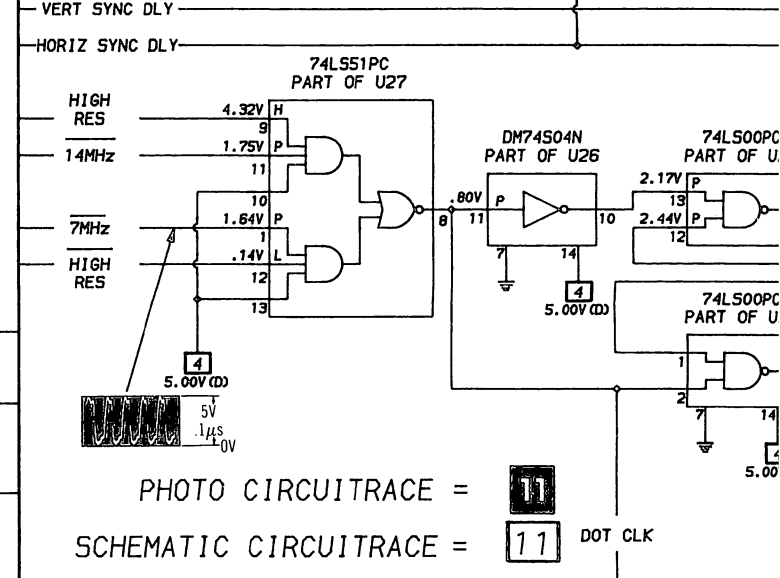
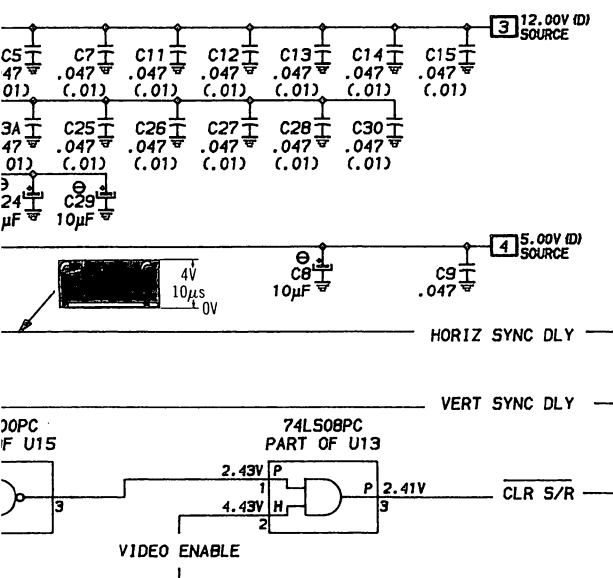
SCHEMATIC CIRCUITRACE = 11



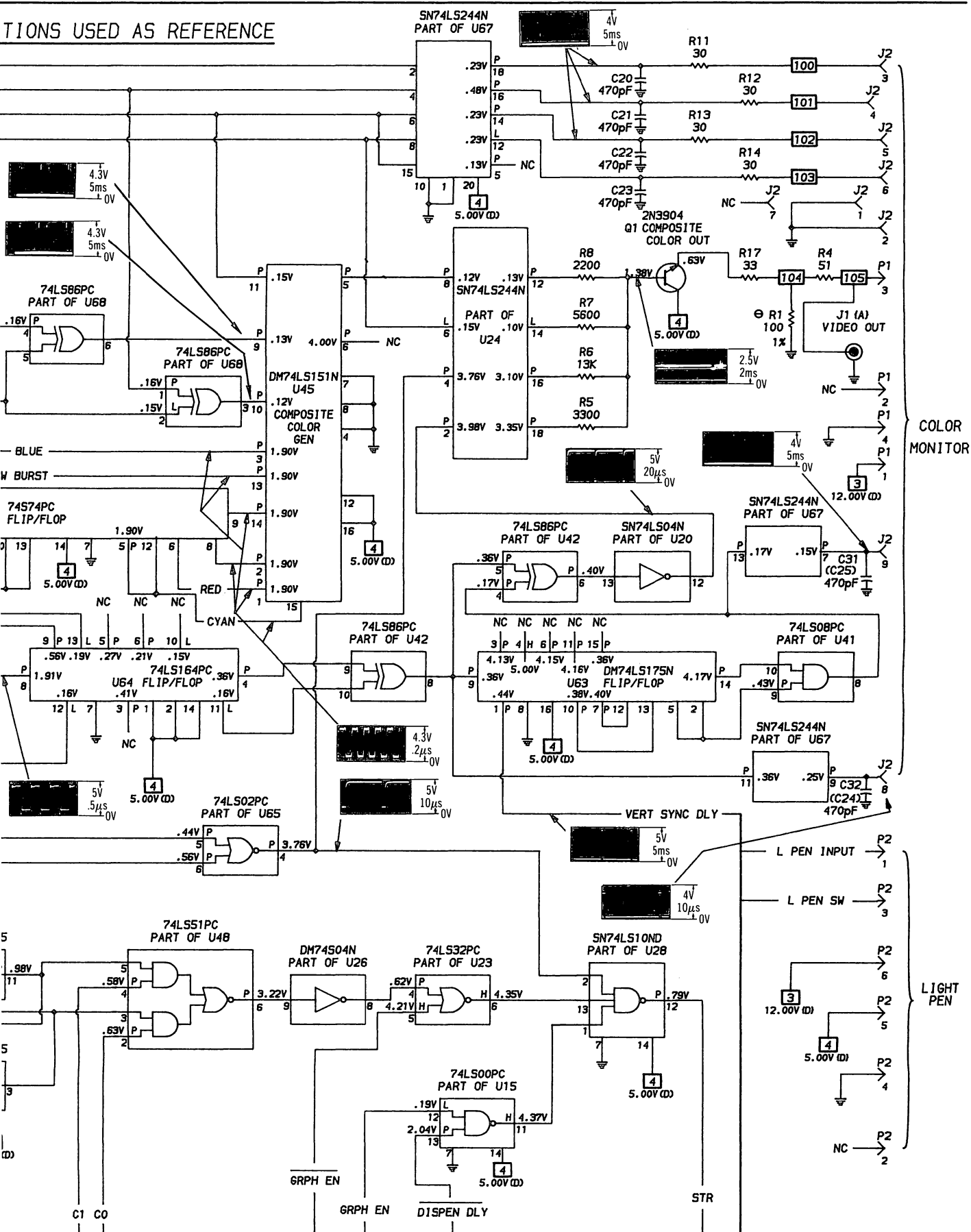


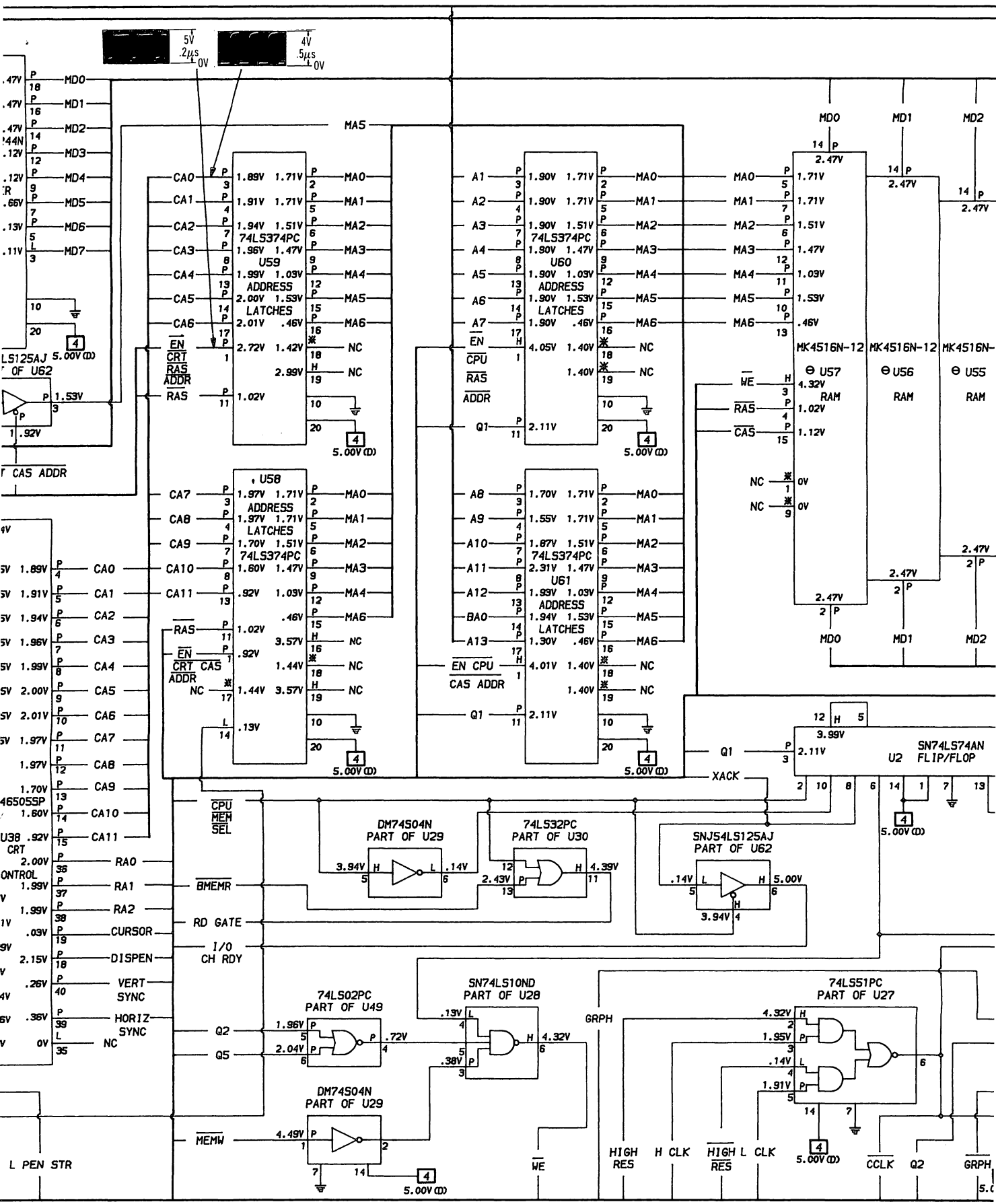
SEE PINOUTS, TERMINAL GUIDES AND SCHEMATIC NOTES PAGES 4, 6, 11

CABLING: HEAVY LINES REDUCE USE OF MULTIPLE LINES



CTIONS USED AS REFERENCE





**DISK DRIVE ADAPTER,
DISK DRIVES (A & B) TYPE 1****KEYBOARD, SYSTEM BOARD,
PRINTER ADAPTER,
POWER SUPPLY**

See Folder CSCS2.

INDEX

	Page		Page
GridTrace Location Guide		Photos (Continued)	
Disk Drive Adapter	24	Mechanical-Bottom View	22
Disk Drives (A & B) Type 1	16	Mechanical-Top View	22
Servo Board	19	Servo Board	6.19
Line Definitions	25	Schematics	
Logic Charts	10,11	Disk Drive Adapter	4,5,20,21
Parts List	12,13,14	Disk Drives (A & B) Type 1	2
Photos		IC Pinout and Terminal Guides	
Disk Drive Adapter	23,24	Disk Drive Adapter	7,18
Disk Drives (A & B) Type 1	8,9,17	IC Pinouts and Terminal Guides,	
Disk Drives (A & B) Type 1 Shield Location	15	Disk Drives (A & B) Type 1, Servo	3
		Notes	25

IBM
MODEL 5150
CSCS2-CCSCS2-C
IBM
MODEL 5150**SAMS™****Howard W. Sams & Co.**

4300 West 62nd Street, P.O. Box 7092, Indianapolis, Indiana 46206 U.S.A.

The listing of any available replacement part herein does not constitute in any case a recommendation, warranty or guaranty by Howard W. Sams & Co. as to the quality and suitability of such replacement part. The numbers of these parts have been compiled from information furnished to Howard W. Sams & Co. by the manufacturers of the particular type of replacement part listed.

Reproduction or use, without express permission, of editorial or pictorial content, in any manner, is prohibited. No patent liability is assumed with respect to the use of the information contained herein.

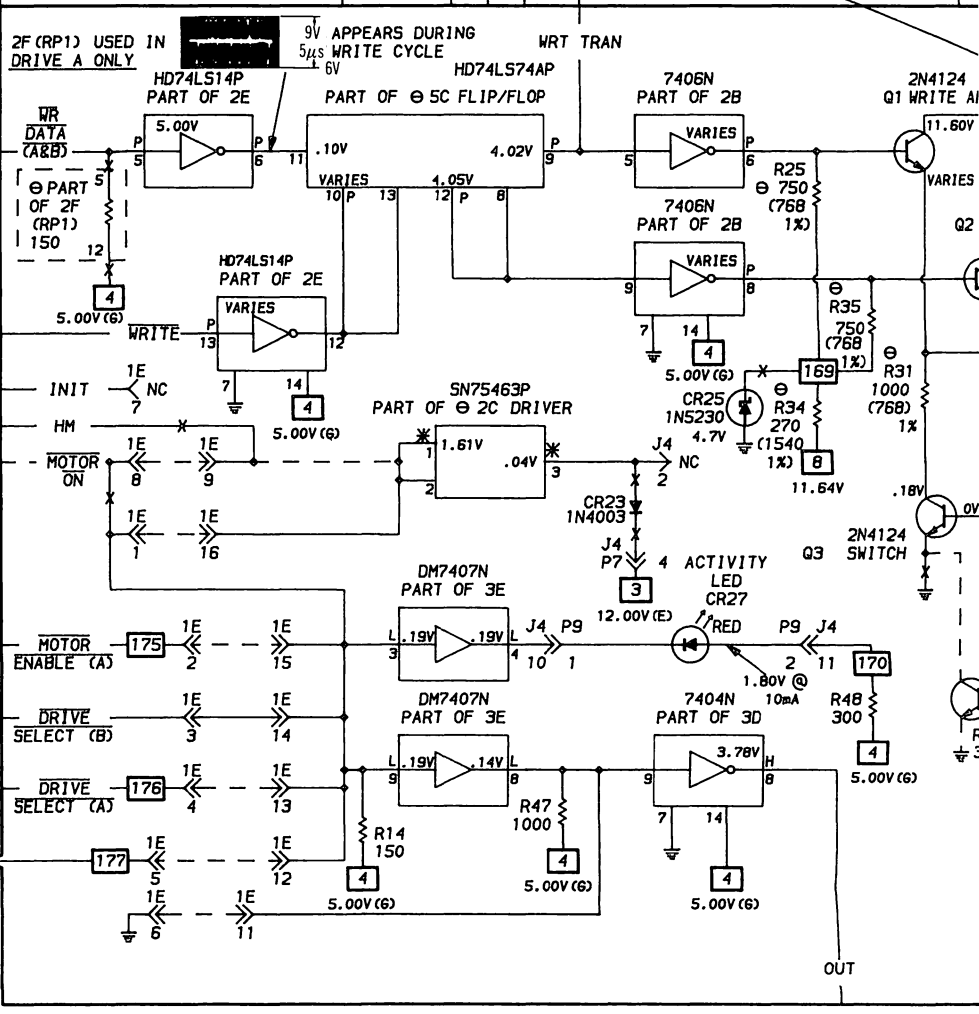
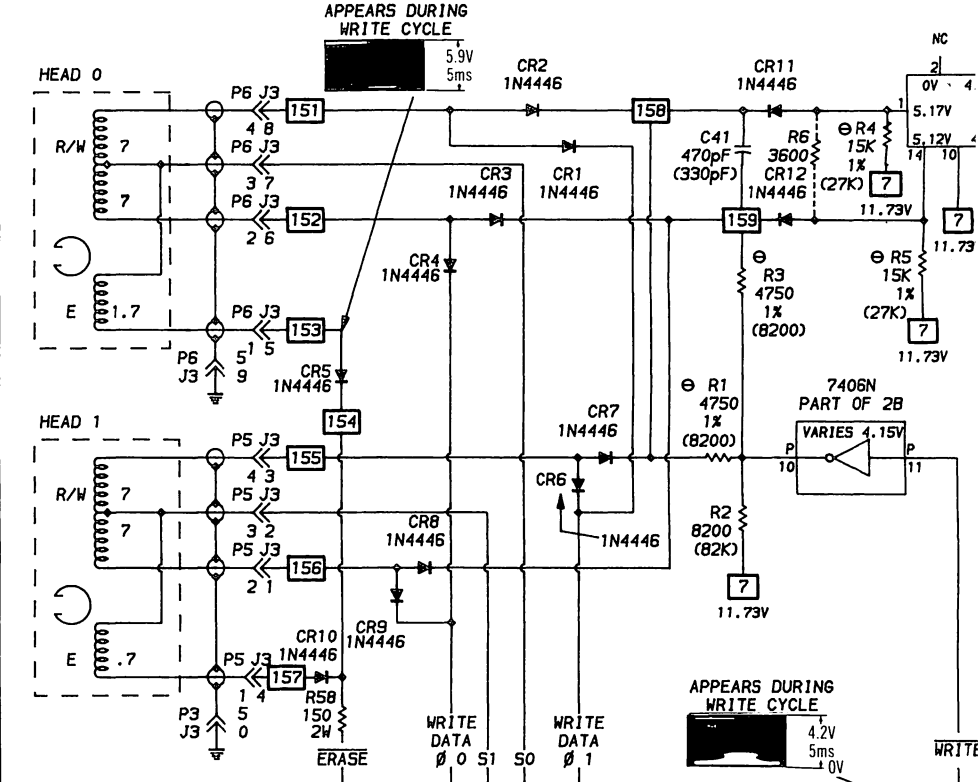
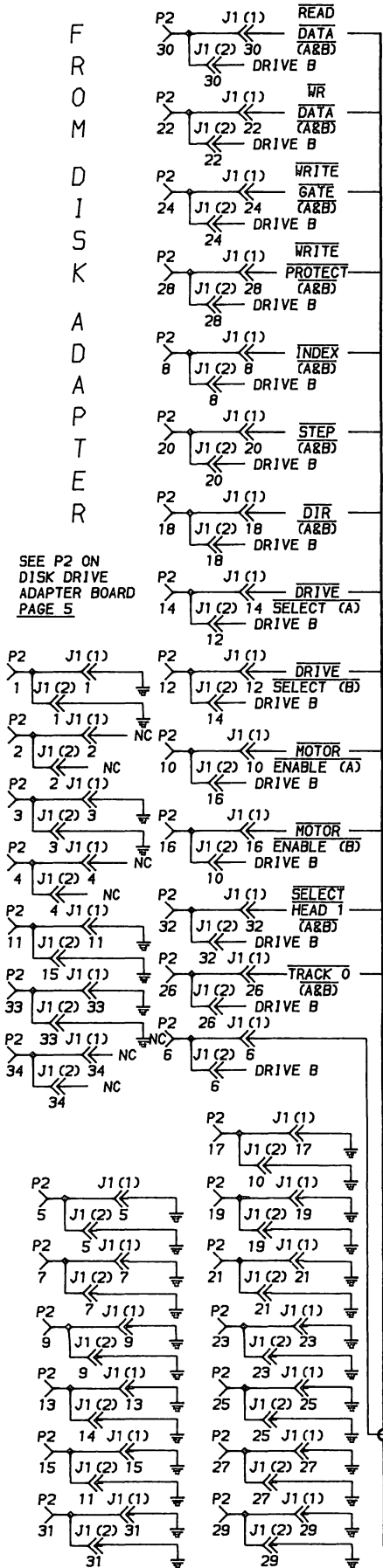
© 1984 Howard W. Sams & Co.

4300 West 62nd Street, P.O. Box 7092, Indianapolis, Indiana 46206 U.S.A.

Printed in U.S. of America. **84CF14923****DATE 9-84**

FROM DISK ADAPTER

SEE P2 ON DISK DRIVE ADAPTER BOARD PAGE 5

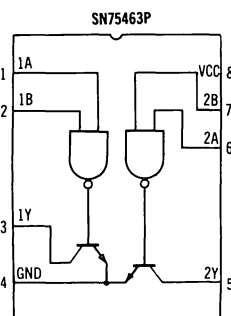
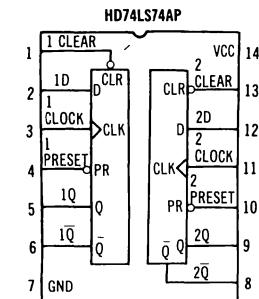
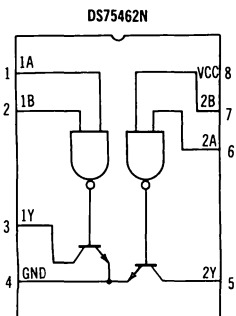
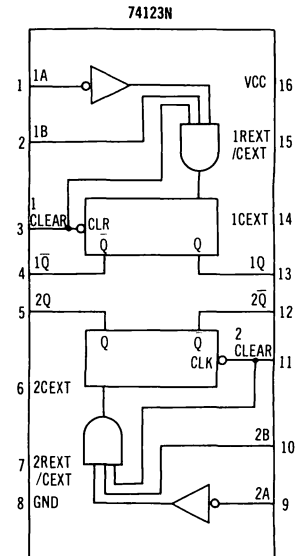
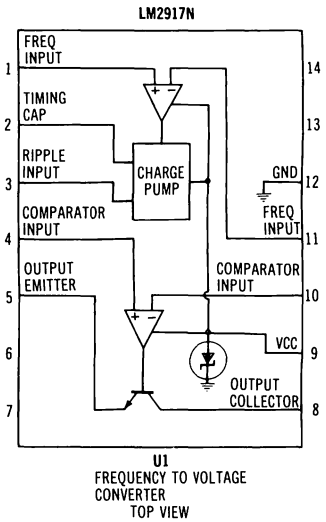
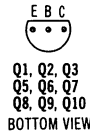
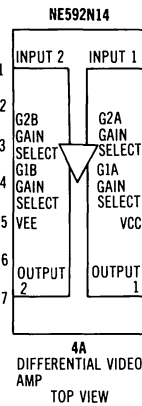
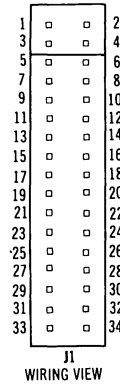
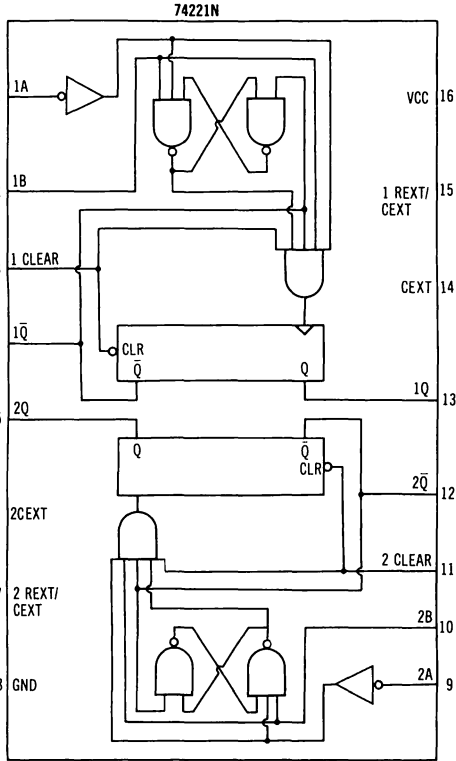
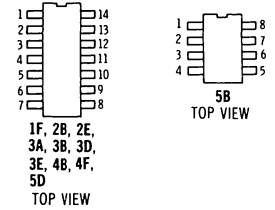
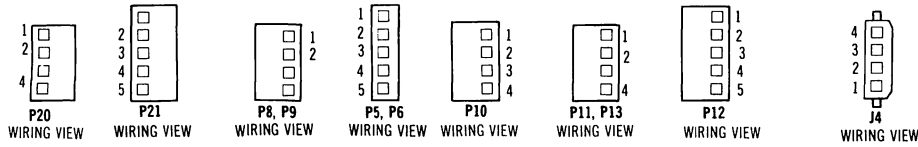


A PHOTOFAC STANDARD NOTATION SCHEMATIC WITH CIRCUITRACE

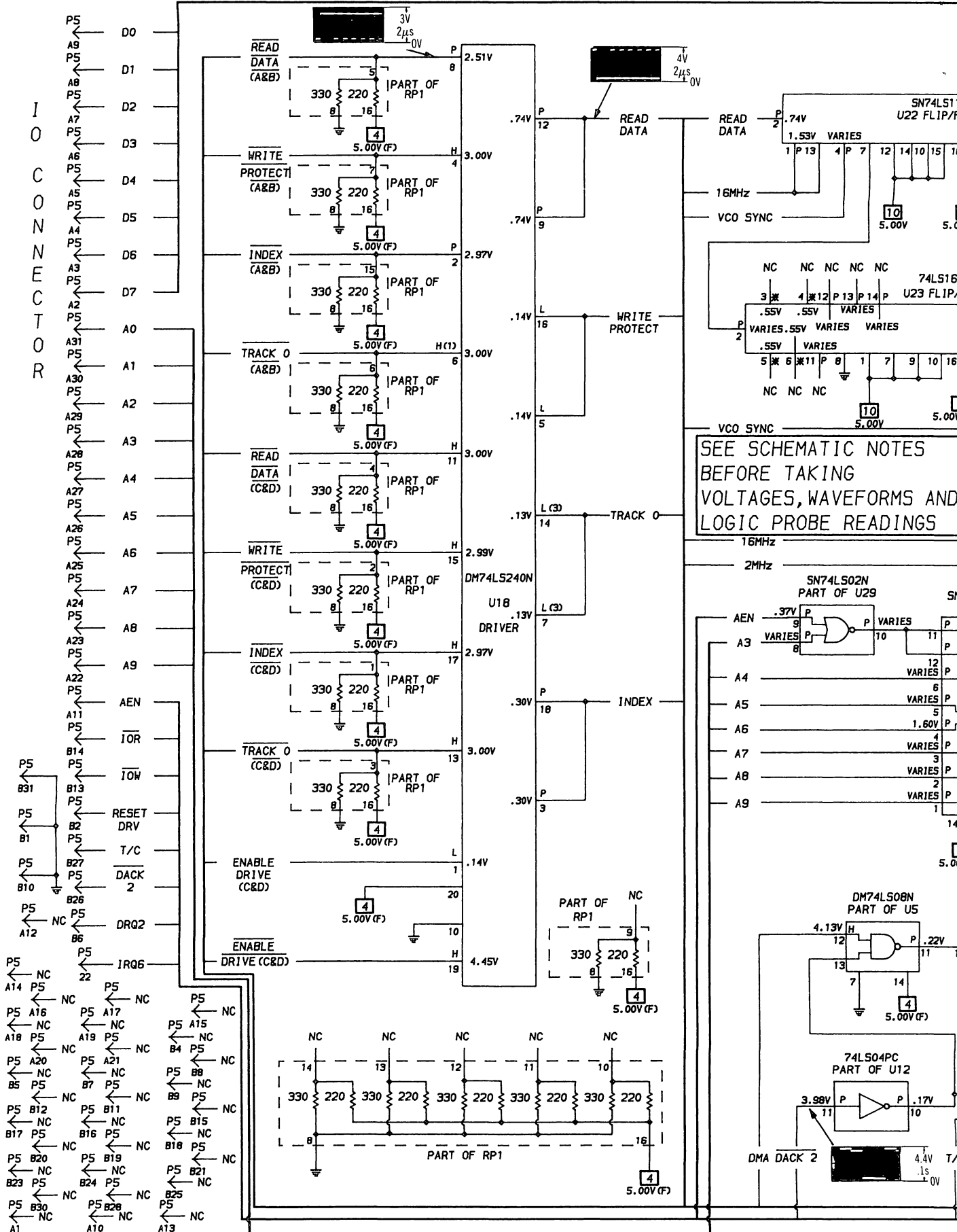
DISK DRIVES (A & B) TYPE 1

© Howard W. Sams & Co., Inc. 1984

IC PINOUTS & TERMINAL GUIDES



IBM
CSCS2-C
MODEL 5150

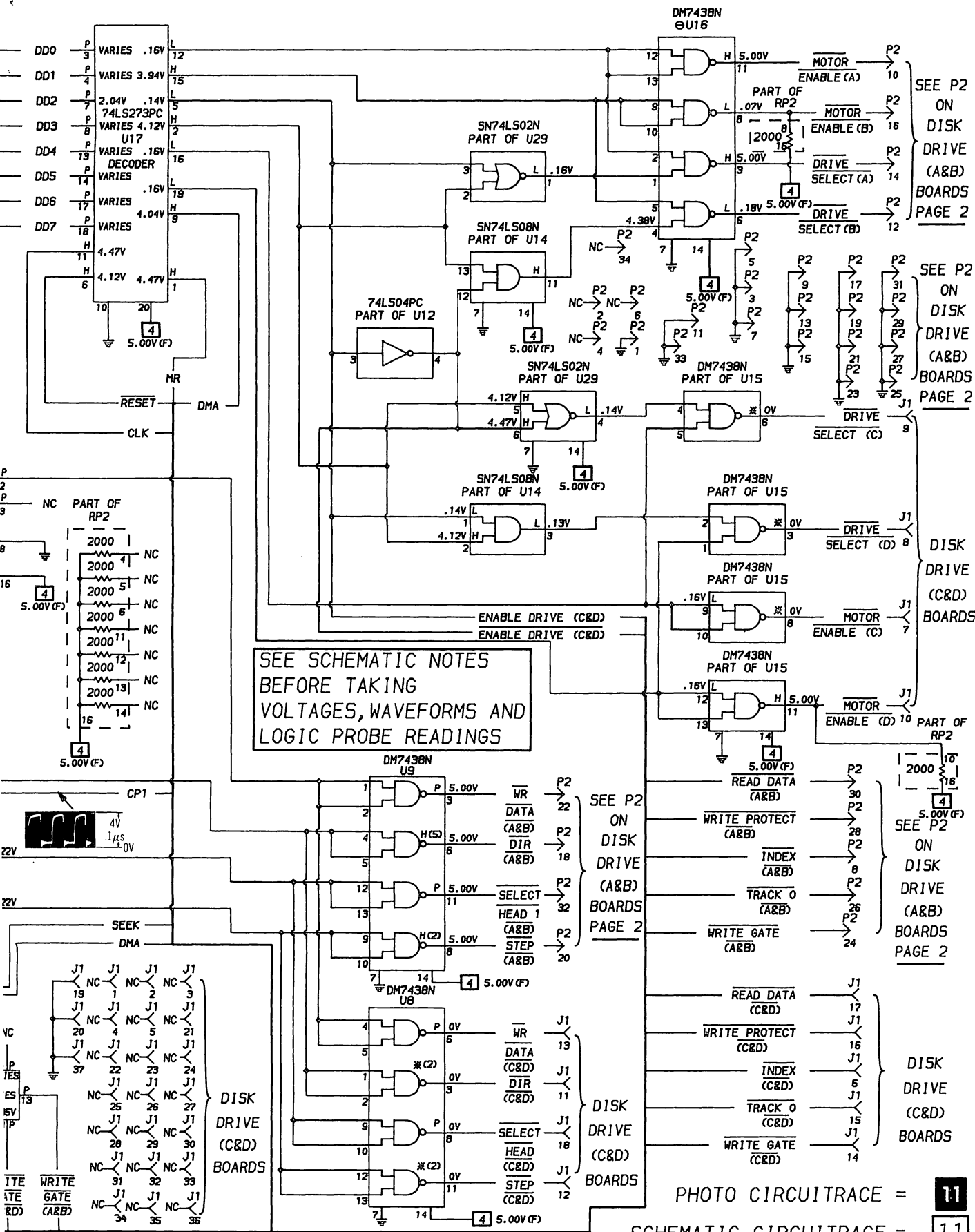


A PHOTOFACIT STANDARD NOTATION SCHEMATIC

WITH **CIRCUITRACE**

© Howard W. Sams & Co., Inc. 1984

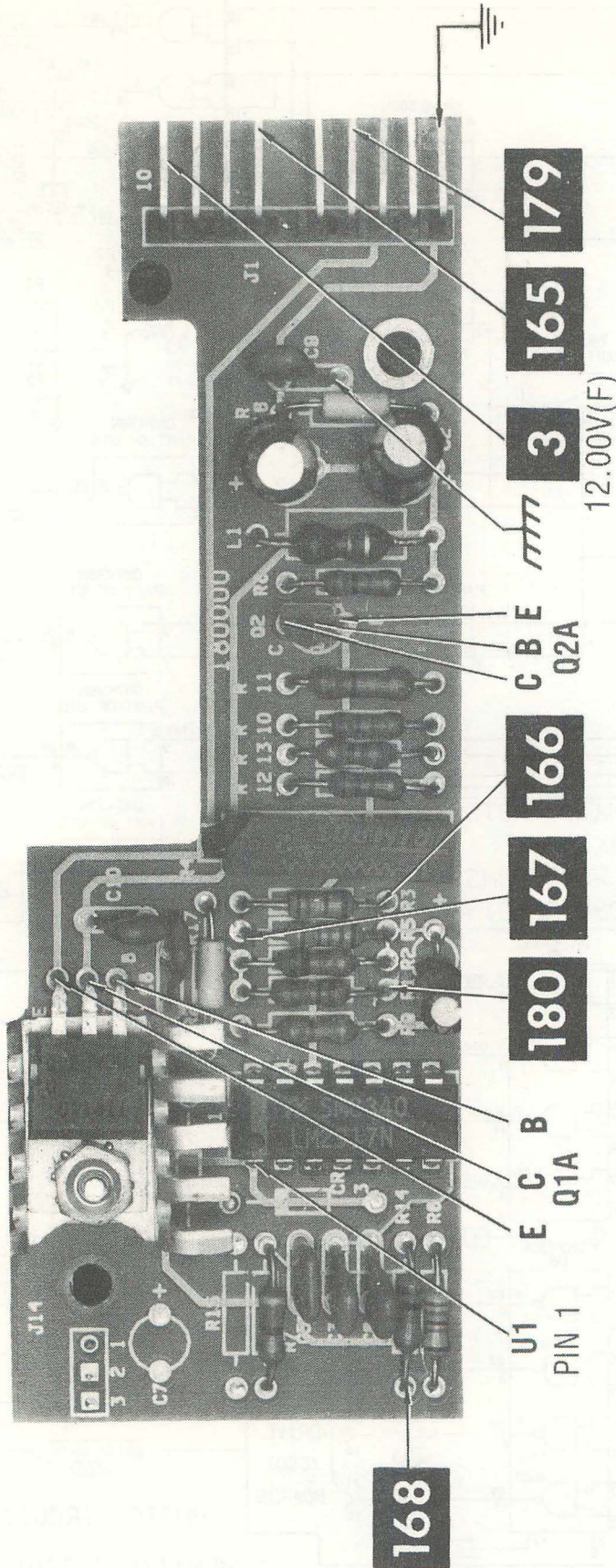
DISK DRIVE ADAPTER



CSGS-2-C
 MODEL 5150
 IBM

PHOTO CIRCUITRACE = 11
 SCHEMATIC CIRCUITRACE = 11

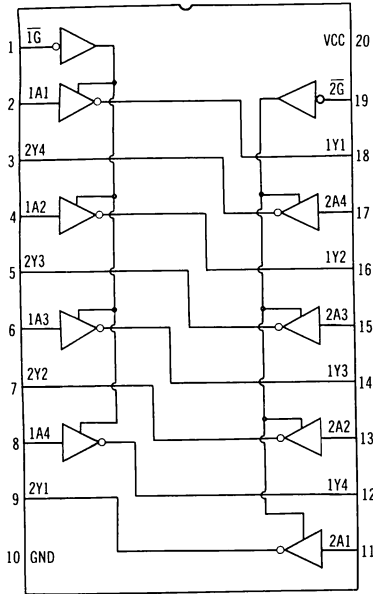
DISK DRIVE ADAPTER



 INDICATES DISK DRIVE CHASSIS

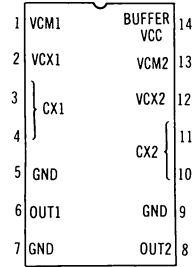
TERMINAL GUIDES

DM74LS240N



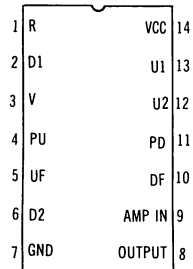
U18
DRIVER
TOP VIEW

MC4024P



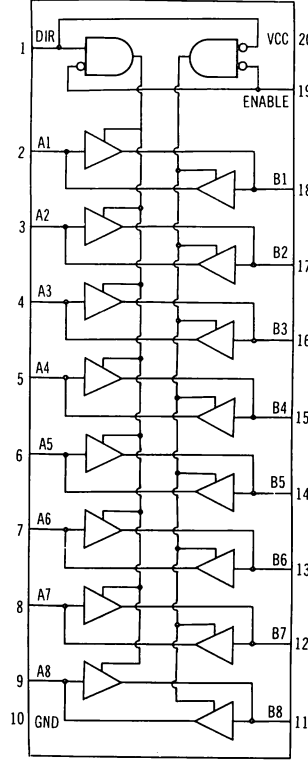
U20
MULTIVIBRATOR
TOP VIEW

MC4044P



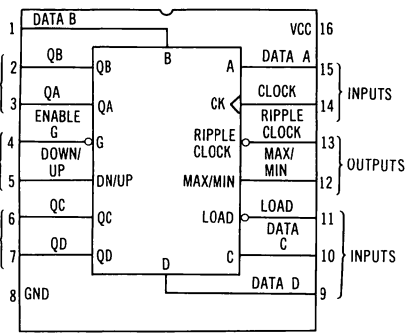
U21
PHASE DETECTOR
TOP VIEW

SN74LS245N



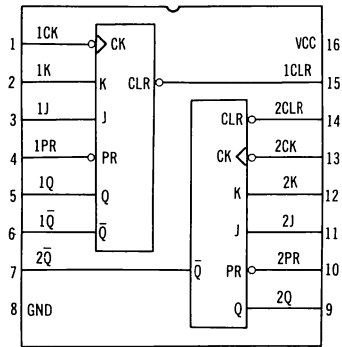
U30
DECODER
TOP VIEW

DM74LS191N



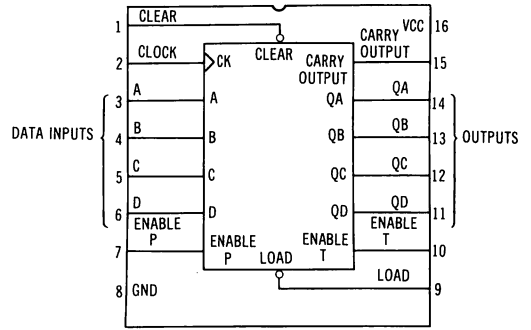
U19
COUNTER
TOP VIEW

SN74LS112AN



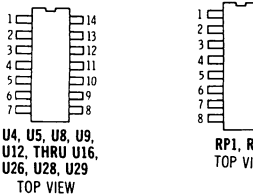
U22, U25
FLIP/FLOP
TOP VIEW

74LS161APC

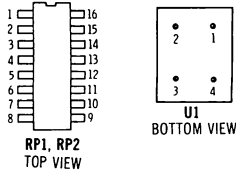


U23
FLIP/FLOP
TOP VIEW

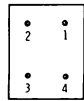
TERMINAL GUIDES



U4, U5, U8, U9,
U12, U16, U26,
U28, U29
TOP VIEW



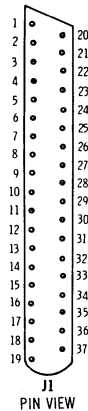
RP1, RP2
TOP VIEW



U1
BOTTOM VIEW

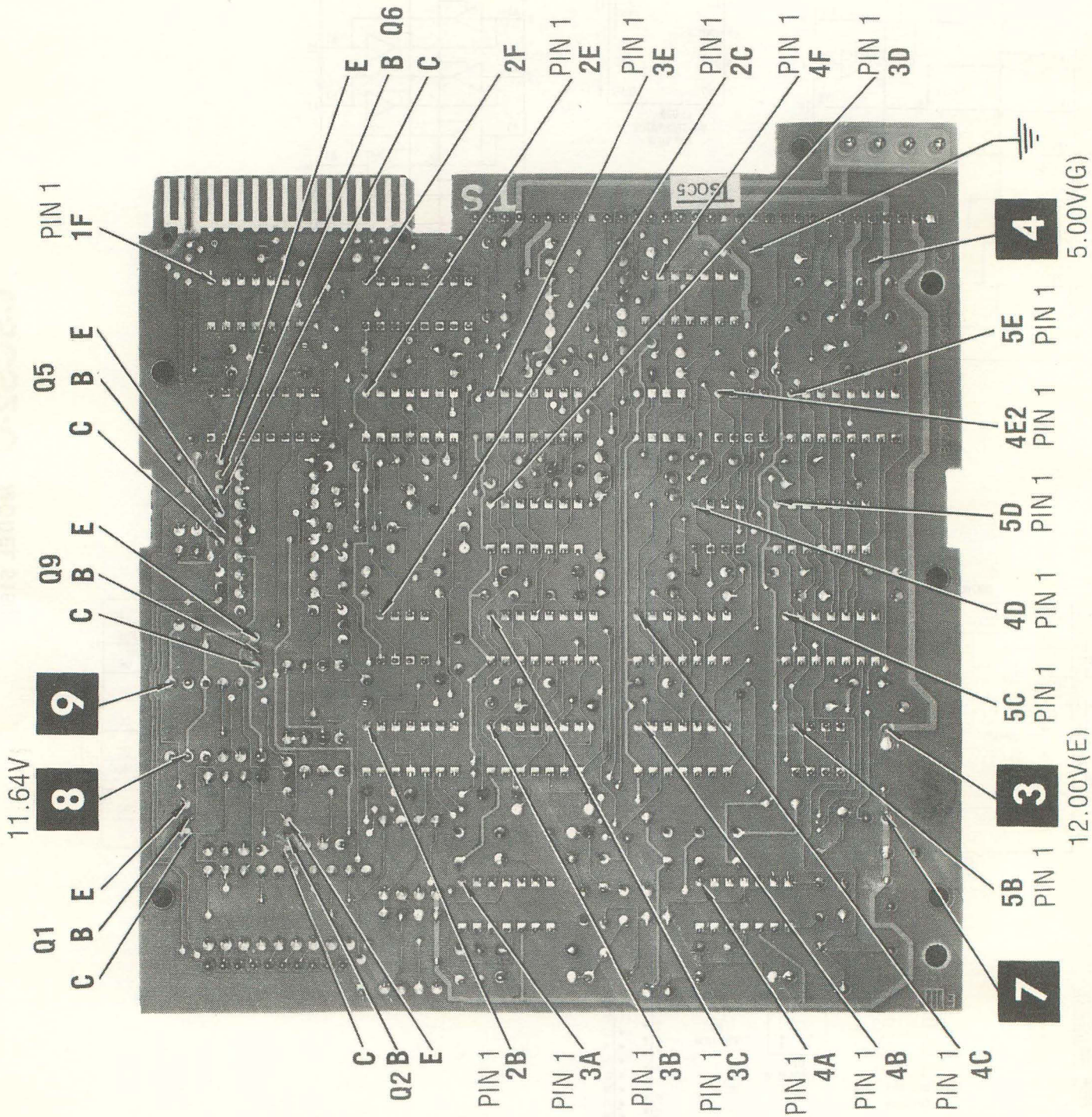


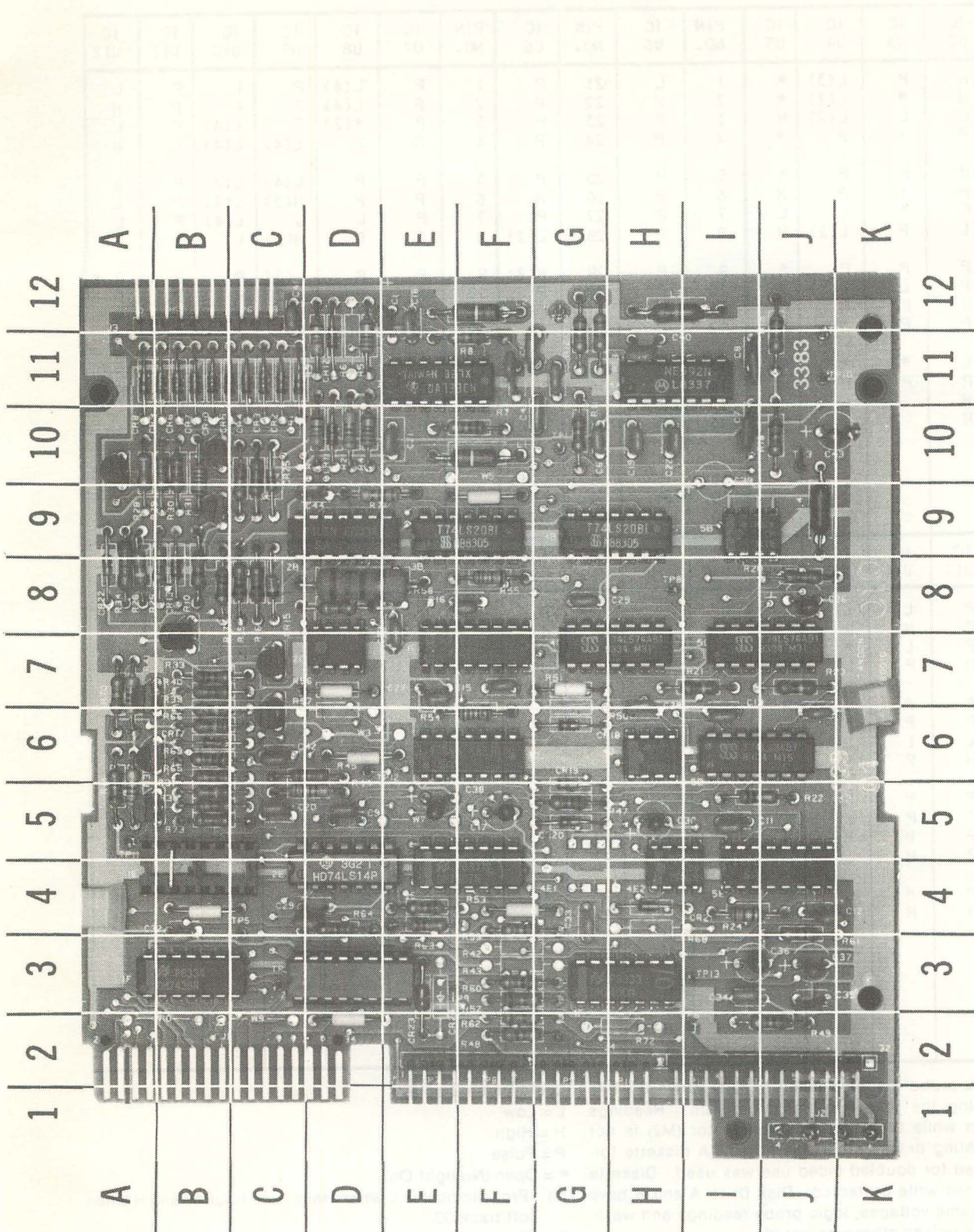
P3
PIN VIEW



J1
PIN VIEW

IBM
CSCS-2-C
MODEL 5150





CASC2-C
 IBM
 MODEL 5150

DISK DRIVE ADAPTER LOGIC

PIN NO.	IC U2	IC U3	IC U4	IC U5	PIN NO.	IC U6	PIN NO.	IC U6	PIN NO.	IC U7	IC U8	IC U9	IC U10	IC U11	IC U12
1	H	P	L(3)	*	1	L	21	P	1	P	L(4)	P	L	P	L
2	H	*	L(2)	*	2	P	22	P	2	P	L(4)	P	P	P	H
3	L	L	L(2)	H	3	P	23	P	3	P	*(2)	P	L(4)	P	L
4	P	*	P	*	4	P	24	P	4	H	P	L(4)	L(4)	P	H
5	H	H	P	*	5	P	25	P	5	P	P	L(4)	L(4)	P	H
6	P	*	P	H	6	P	26	H	6	P	P	H(5)	L(4)	P	L
7	P	*	L	L	7	P	27	P	7	P	L	L	L(4)	P	L
8	L	P	L(2)	H	8	P	28	L(2)	8	L	P	H(2)	L	L	P
9	P	P	P	*	9	P	29	H(2)	9	P	P	L(2)	P	P	P
10	P	L	L(2)	*	10	P	30	P	10	P	P	L(2)	P	P	P
11	H	P	H	P	11	P	31	P	11	P	*(2)	P	P	P	P
12	P	P	*	H	12	P	32	P	12	*	L(2)	P	P	P	P
13	L	*	*	P	13	P	33	L(2)	13	P	L(2)	P	L	P	P
14	P	P	H	H	14	P	34	L	14	P	H	H	P	P	H
15	P				15	P	35	H	15	P			L	P	
16	H				16	P	36	H(2)	16	H			H	P	H
					17	P	37	P							
					18	P	38	L(4)							
					19	P	39	L(2)							
					20	L	40	H							

PIN NO.	IC U13	IC U14	IC U15	IC U16	IC U17	IC U18	IC U19	IC U20	IC U21	IC U22	IC U23	IC U24	IC U25	IC U26	IC U27
1	P	L	L	L	H	L	*	H	P	P	H	L	P	L	P
2	P	H	L	L	H	P	P	H	P	P	P	P	P	*	P
3	P	L	*	H	P	P	L	H	P	P	*	P	P	*	P
4	P	P	L	H	P	H		H	P	P	*	P	H	P	P
5	P	P	L	H	L	L	H	L	P	P	*	P	P	P	P
6	P	P	*	L	H	L	H(1)	P	P	P	*	P	P	P	P
7	L	L	L	L	P	L	L(3)	L	L	P	H	P	P	L	P
8	H	P	*	L	P	P		H	H	L	L	L	L	*	L
9	P	P	L	H	H	P	*	L	*	P	H	P	P	*	P
10	P	P	L	H	L	L	*	*	P	H	H	P	H	L	P
11	P	H	H	H	H	H	H	*	P	P	P	P	P	*	P
12	P	H	L	L	L	P	P	*	P	H	P	P	P	*	P
13	P	H	L	L	P	H	P	*	P	P	P	P	P	L	P
14	H	H	H	H	P	L(3)	*	H	H	H	H	L	H	H	P
15					H	H	H								P
16					L	L	H			H	H	H	H		P
17					P	H									H
18					P	P									P
19					L	H									P
20					H	H									H

NOTE: Logic probe readings taken on Disk Drive B while running the following Basic program. Readings taken while the Head Position Motor (M2) is not operating unless otherwise noted. A diskette formatted for doubled sided use was used. Diskette was not write protected. Disk Drive A and B have the same voltages, logic probe readings and waveforms unless otherwise noted.

Logic Probe Display

L = Low
H = High
P = Pulse
* = Open (No light On)

- (1) Probe indicates L when Head is on track 00 and H when off track 00.
- (2) Probe indicates P when Head Position Motor is operating.
- (3) Probe indicates H when Head is on track 00 and L when off track 00.
- (4) Probe indicates H when Head is moving in and L when Head is moving out from center of diskette.
- (5) Probe indicates L when Head is moving in and H when Head is moving out from center of diskette.

```

10 OPEN "B:SAMS.DAT" FOR OUTPUT AS #1
20 FOR X= 1 TO 300
30 PRINT #1, "THIS IS A TEST"
40 NEXT X
50 CLOSE #1
60 GOTO 10
    
```

**DISK DRIVE
ADAPTER
LOGIC (Continued)**

PIN NO.	IC U28	IC U29	IC U30
1	P	L	P
2	P	H	P
3	P	L	P
4	P	L	P
5	P	H	P
6	P	H	P
7	L	L	P
8	P	P	P
9	*	P	P
10	*	P	L
11	P	*	P
12	P	*	P
13	*	L	P
14	H	H	P
15			P
16			P
17			P
18			L
19			L
20			H

**SERVO
BOARD
LOGIC**

PIN NO.	IC U1
1	(8)
2	
3	
4	
5	
6	
7	
8	
9	
10	
11	
12	
13	
14	
15	
16	

**DISK DRIVES
(A & B) TYPE 1
LOGIC**

PIN NO.	IC 1F	IC 2B	IC 2C	IC 2E
1	P	P	*	P
2	H	P	*	P
3	P	P	*	*
4	L(6)	P	L	L
5	H	P	P	P
6	H	P	P	P
7	L	L	P	L
8	P	P	H	P
9	P	P		P
10	H	P		L(2)
11	H(1)	P		H(2)
12	L(3)	L		P
13	H	H		P
14	H	H		H

PIN NO.	IC 3A	IC 3B	IC 3C	IC 3D	IC 3E	IC 4A	IC 4B	IC 4C	IC 4D	IC 4E2	IC 4F	IC 5B	IC 5C	IC 5D	IC 5E
1	(8)	P	P	H(1)	*	(8)	H	H	H	H	L(3)	L	H	H(5)	L
2		P	P	L(3)	*(2)		P	H(5)	L(2)	H(5)	L(3)	(8)	P	L(4)	L
3		*	H	L(4)	L		*	H(2)	H(2)	L(4)	H(1)	(8)	P	H(5)	H
4		H	P	H(5)	L		H(4)	H	L	L	H	L	H	L(4)	P
5		H	P	H(5)	H		L(2)	L(2)	L(2)	H(5)	L	(8)	P	L(2)	P
6		P	*	L(4)	H		H(2)	H(2)	H(2)	L(4)	H	(8)	P	L(2)	P
7		L	*	L	L		L	L	H	H	L	P	L	L	P
8		P	L	H	L		H(1)	H(5)	H	H	H(4)	(8)	P	P	L
9		H	P	L	L		L(3)	L(4)			H(5)		P	P	L
10		H(7)	H	H(7)	P		H(5)	H			L(3)		P	P	P
11		*	H	L(6)	P		*	H(2)			L(3)		P	P	P
12		H	P	P	P		H(2)	L(2)			H(1)		P	P	P
13		P	P	P	H		L(3)	H			H(1)		P	P	P
14		H	*	H	H		H	H			H		H	H	P
15			*												P
16			H												H

NOTE: Logic probe readings taken on Disk Drive B while running the following Basic program. Readings taken while the Head Position Motor (M2) is not operating unless otherwise noted. A diskette formatted for doubled sided use was used. Diskette was not write protected. Disk Drive A and B have the same voltages, logic probe readings and waveforms unless otherwise noted.

```
10 OPEN "B:SAMS.DAT" FOR OUTPUT AS #1
20 FOR X=1 TO 300
30 PRINT #1, "THIS IS A TEST"
40 NEXT X
50 CLOSE #1
60 GOTO 10
```

Logic Probe Display
L = Low

H = High
P = Pulse

* = Open (No light On)

- Probe indicates L when Head is on track 00 and H when off track 00.
- Probe indicates P when Head Position Motor is operating.
- Probe indicates H when Head is on track 00 and L when off track 00.
- Probe indicates H when Head is moving in and L when Head is moving out from center of diskette.
- Probe indicates L when Head is moving in and H when Head is moving out from center of diskette.
- Probe indicates H if diskette is write protected.
- Probe indicates L if diskette is write protected.
- Probe reading not taken for IC U1 on Servo Board and ICs 3A, 4A and pins 2, 3, 5, 6 and 8 of 5B on Disk Drive Board.

CSCS2-C MODEL 5150

IBM

PARTS LIST AND DESCRIPTION

When ordering parts, state Model, Part Number, and Description

SEMICONDUCTORS

ITEM No.	TYPE No.	MFGR. PART No.
DISK DRIVE ADAPTER		
D1, D2		
U2	SN74LS109AN	
U3	SN74LS93N	
U4	74LS08PC	
U5	DM74LS08N	
U6	D765AC	
	UPD765	
U7	MC3487P	
	MC3487	
U8, 9	DM7438N	
U10	74LS153PC	
U11	SN74LS175N	
U12	74LS04PC	
U13	SN74LS32N	
U14	SN74LS08N	
U15	DM7438N	
	7438-3	
U16	DM7438N	
	7438-4	
U17	74LS273PC	
U18	DM74LS240N	
U19	DM74LS191N	
U20	MC4024P	
	MC4024	
U21	MC4044P	
	MC4044	
U22	SN74LS112AN	
U23	74LS161APC	
U24	DM74LS153N	
U25	SN74LS112AN	
U26	SN74LS02N	
U27	SN74LS175N	
U28	SN74LS30N	
U29	SN74LS02N	
U30	SN74LS245N	
DISK DRIVES (A & B) TYPE 1		
CR1 thru CR14	1N4446	
CR15	1N5226C	
CR15A	1N4446	
CR16	1N4446	
CR16 thru CR21		

ITEM No.	TYPE No.	MFGR. PART No.
CR22	1N5234B	
CR23	1N4003	
CR25	1N5230	
Q1	2N4124	
Q1A	T1P110	
Q2	2N4124	
Q2A	2N4124	
Q3, 4	2N4124	
Q5 thru Q7	2N4125	
Q8	2N4124	
Q9	2N4403	
Q10	2N4124	
Q11	GE1.14CX511	
U1	LM2917N	
1F	SN7438N	
	DM7438N	
2B	7406N	
2C	SN75463P	
	DS75463N	
2E	HD74LS14P	
3A	UA733CN	
3B	T74LS20B1	
3C	74123N	
	DM74123N	
3D	7404N	
3E	DM7407N	
4A	NE592N14	
	NE592N	
4B	T74LS20B1	
4C	HD74LS74AP	
	T74LS74AB1	
4D	DS75462N	
4E2	DS75462N	
4F	SN7438N	
	DM7400N*	
5B	LM311P	
	LM311M	
5C	HD74LS74AP	
	T74LS74AB1	
5D	HD74LS86P	
	T74LS86B1	
5E	74221N	

ELECTROLYTIC CAPACITORS

Item numbers not listed are normally available at local distributors.

ITEM No.	RATING	MFGR. PART No.
DISK DRIVE ADAPTER		
C18	10 16V 10% (1)	

ITEM No.	RATING	MFGR. PART No.
C19	10 16V 10% (1)	

(1) 8.2 used in some versions.

PARTS LIST AND DESCRIPTION (Continued)

When ordering parts, state Model, Part Number, and Description

CAPACITORS Item numbers not listed are normally available at local distributors.

ITEM No.	RATING	MFGR. PART No.
DISK DRIVE ADAPTER		
C11A	82 \pm .25pF	

ITEM No.	RATING	MFGR. PART No.
C21	68 NPO	

CONTROLS (All wattages 1/2 watt, or less, unless listed)

ITEM NO.	FUNCTION	RESISTANCE	MFGR. PART NO.	NOTES
DISK DRIVES (A & B) TYPE 1				
R4A	Speed Adj	1000	3006-1-102(1)	

(1) Number on unit.

RESISTORS (Power and Special)

ITEM No.	RATING	REPLACEMENT DATA			
		MFGR. PART No.	NOTES		
DISK DRIVE ADAPTER					
R2	2150 1% 1/4W Carbon Film 3300 5% 1/4W Carbon Film	316E221331 Q5180287 (2) 898-1-R2K (2)			
R4	2000 1% 1/4W Carbon Film				
R5	2000 1% 1/4W Carbon Film				
RP1	Resistor Network (1)				
RP2	Resistor Network (3)				
DISK DRIVES (A & B) TYPE 1					
R1	4750 1% 1/4W Carbon 8200 5% 1/4W				
R3	4750 1% 1/4W Carbon 8200 5% 1/4W				
R3A	1540 1% 1/4W Carbon Film 1000 1% 1/4W Carbon Film				
R4	15K 1% 1/4W Carbon Film 27K 5% 1/4W Carbon Film				
R5	15K 1% 1/4W Carbon Film 27K 5% 1/4W Carbon Film				
R5A	2670 1% 1/4W Carbon Film 1000 1% 1/4W Carbon Film				
R6A	150K 1% 1/4W Carbon Film				
R24	3090 1% 1/4W Carbon Film				
R25	750 5% 1/4W Carbon Film 768 1% 1/4W Carbon Film				
R31	1000 1% 1/4W Carbon Film 768 1% 1/4W Carbon Film				
R34	270 5% 1/4W Carbon Film 1540 1% 1/4W Carbon Film				
R35	750 5% 1/4W Carbon Film 768 1% 1/4W Carbon Film				
R54	13.3K 1% 1/4W Carbon Film				
R55	28.7K 1% 1/4W Carbon Film				
2F	Resistor Network (4)				

IBM
MODEL 5150

- (1) Contains fourteen 330 and 220.
- (2) Number on unit.
- (3) Contains fifteen 2000.
- (4) Contains eight 150, used in drive A only.

PARTS LIST AND DESCRIPTION (Continued)

When ordering parts, state Model, Part Number, and Description

COILS (RF-IF)

ITEM No.	FUNCTION	MFR. PART No.
DISK DRIVES (A & B) TYPE 1		
L1 L1A	Peaking (390uH) RF Choke	

ITEM No.	FUNCTION	MFR. PART No.
L2	Peaking (390uH)	
L3	Peaking (680uH)	
L4	RF Choke	

MISCELLANEOUS

ITEM No.	PART NAME	MFR. PART No.	NOTES
DISK DRIVE ADAPTER			
U1	Crystal Adapter	8529152	16MHz 5 1/4" Disk Drive
DISK DRIVES (A & B) TYPE 1			
CR26	LED	8529257(1)	Index/Selector (Includes Q11)
CR27	LED	8529258	Activity, Red
HEAD 0	Head		R/W, E
HEAD 1	Head		R/W, E
M1	Assembly	8529223	Motor/Generator
M2	Motor		Head Position
SW1	Switch	8529225	Write Protect
SW2	Switch	8529224(1)	Track 0
	Arm	8529265(1)	SSR Upper
	Assembly	8529267	Cone Lever
	Assembly	8529153	Disk Drive (160K)
	Assembly	8529206	Disk Drive (320K)
	Assembly	8529263	Spindle
	Belt	8529154	Disk Drive
	Cone	8529259	
	Guide	8529262	Left
	Guide	8529261	Right
	Module	8529264(1)	SSR (160K)
	Module	8529210(1)	DSR (320K)
	P.C. Board	8529226	Disk Drive
	P.C. Board	8529256	Servo
	Stop	8529266(1)	Track 0

(1) Restricted Availability.

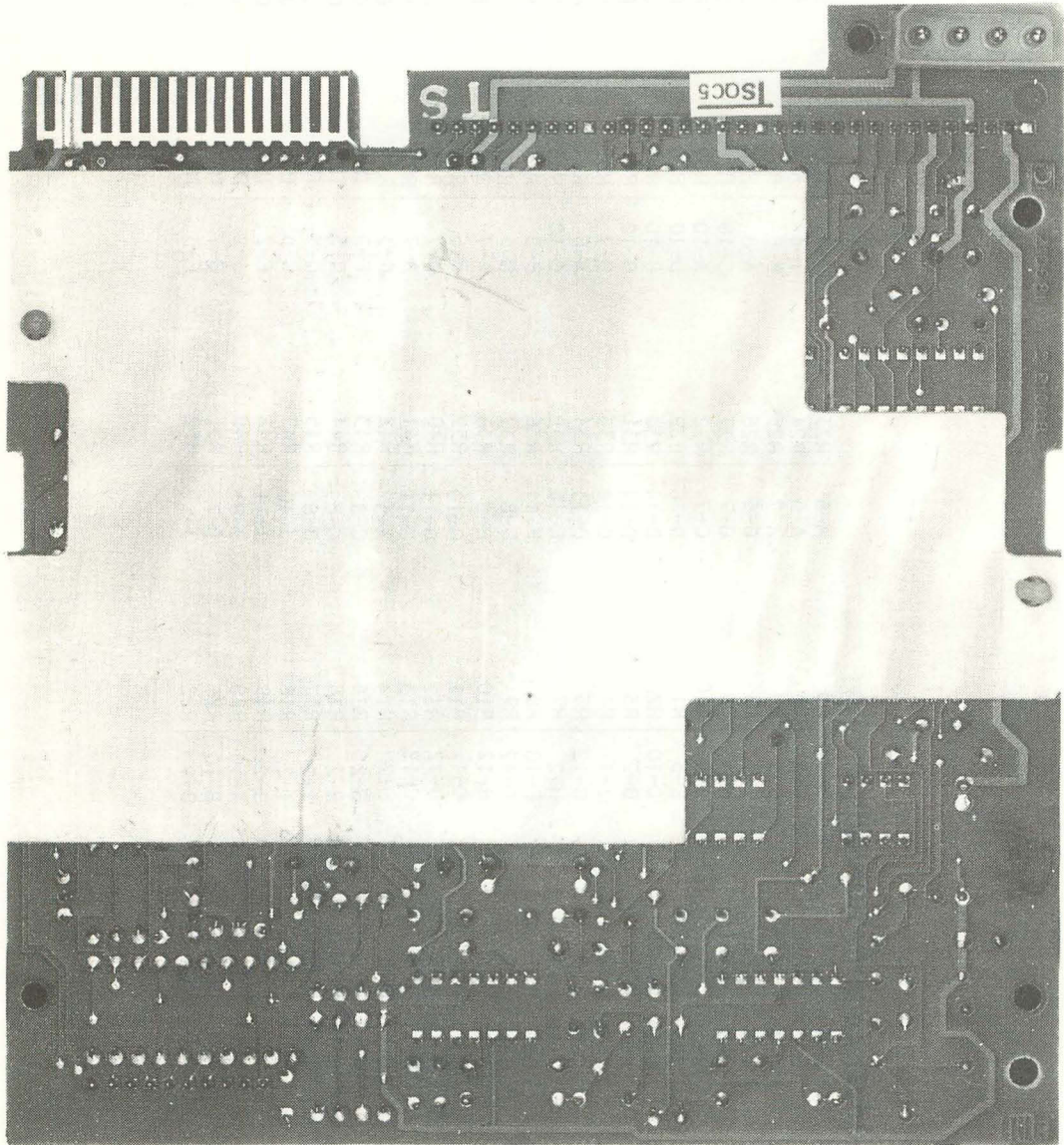
Part Numbers obtained from the IBM
Hardware Maintenance and Service Manual
(Part Number 6025072)
Courtesy of IBM

CABINET & CABINET PARTS (When ordering specify model, chassis & color)

ITEM	PART No.
DISK DRIVES (A & B) TYPE 1	
Front Panel	8529293

ITEM	PART No.
Latch Assembly	8529260

Part Numbers obtained from the IBM
Hardware Maintenance and Service Manual
(Part Number 6025072)
Courtesy of IBM

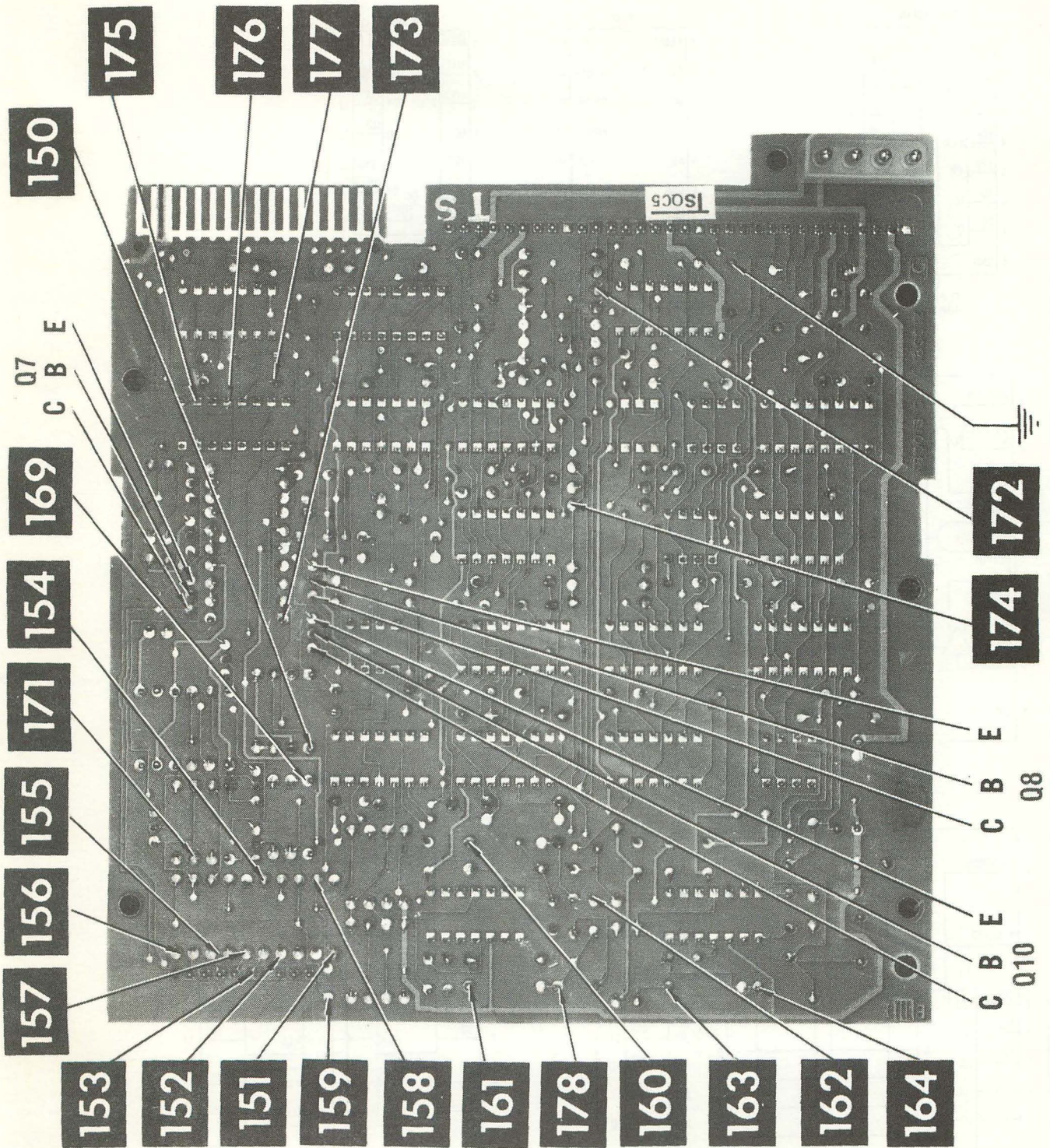


IBM
MODEL 5150

DISK DRIVES (A & B) TYPE 1—SHIELD LOCATION

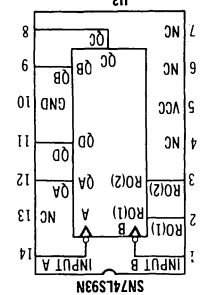
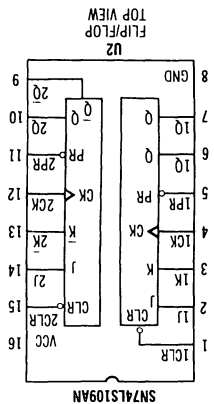
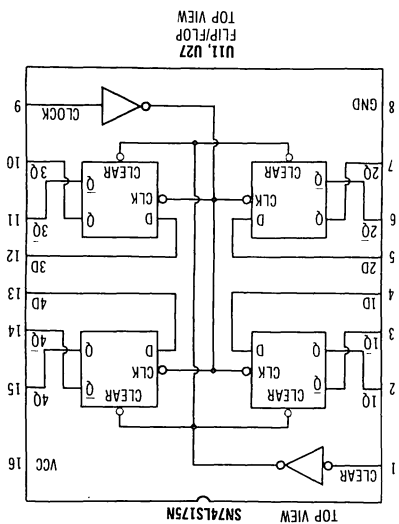
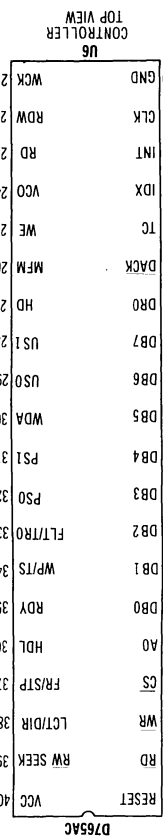
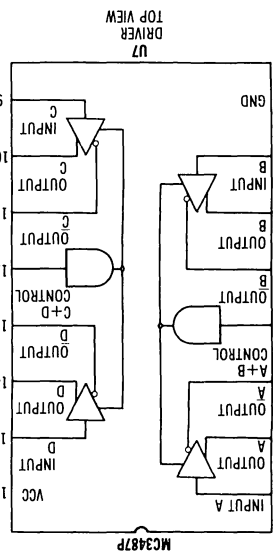
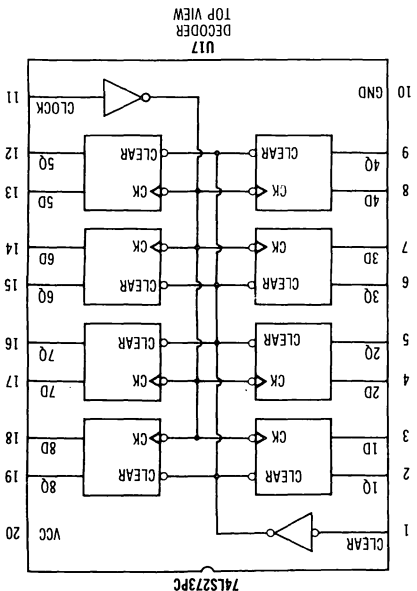
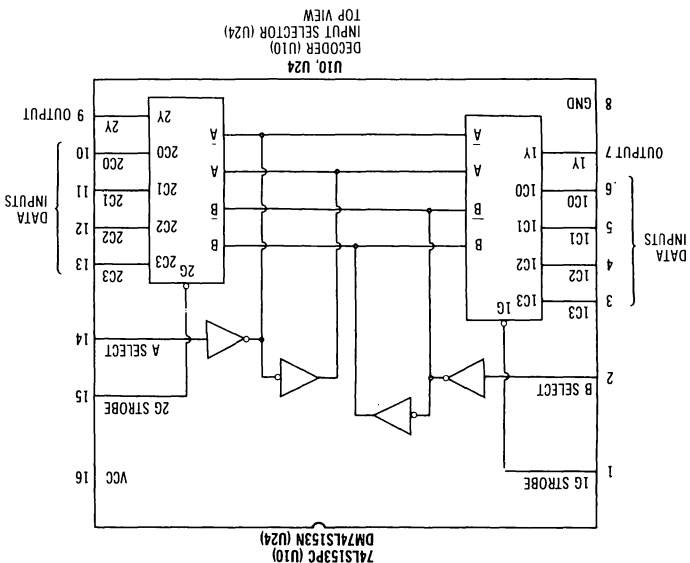
DISK DRIVES (A & B) TYPE 1 GridTrace LOCATION GUIDE

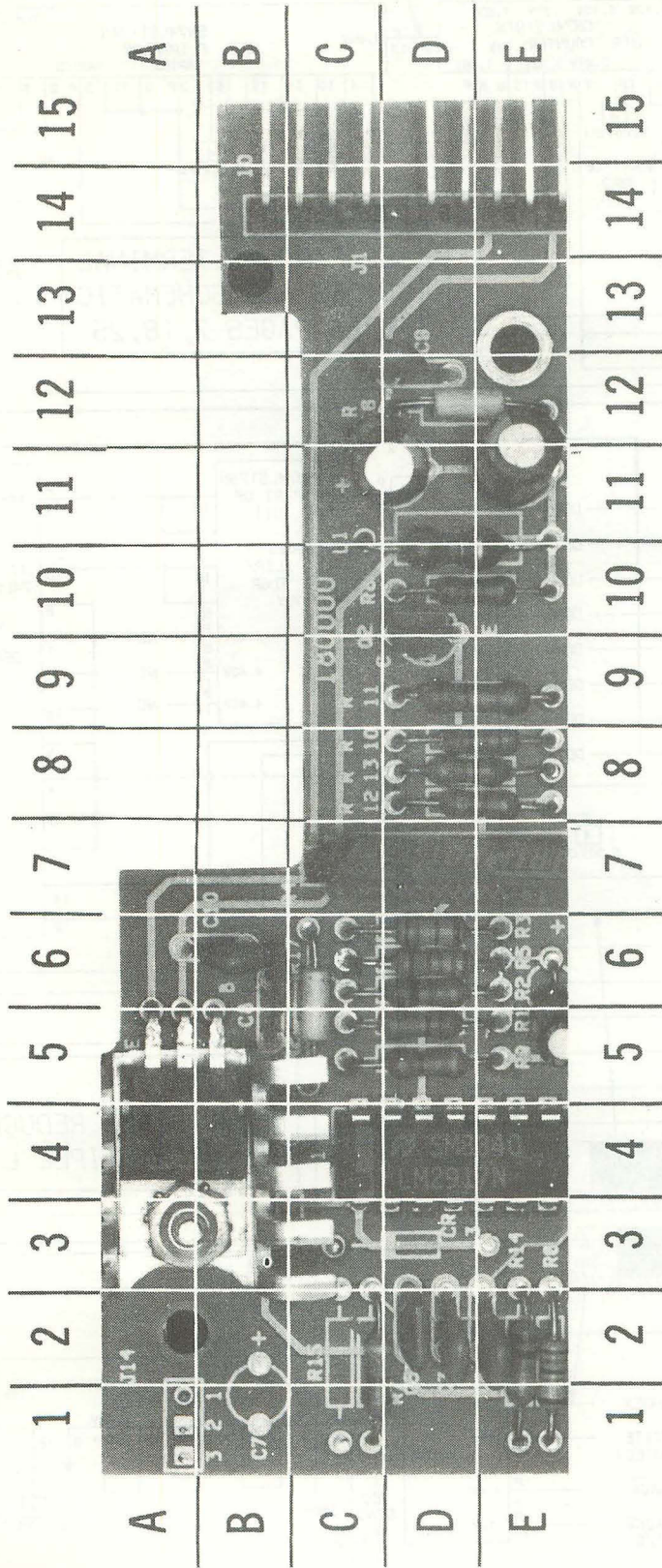
C1	E-12	C30	H-5	CR17	B-6	Q5	A-6	R23	J-7	R53	E-4	TP9	E-3
C2	F-11	C32	B-3	CR18	G-6	Q6	A-5	R24	I-4	R54	F-6	TP10	J-11
C3	G-11	C33	G-4	CR19	G-6	Q7	A-7	R25	B-8	R55	F-8	TP11	A-5
C4	F-10	C34	I-3	CR20	G-5	Q8	C-6	R26	A-8	R56	D-7	TP12	D-6
C5	F-11	C35	J-3	CR21	H-4	Q9	B-7	R27	C-10	R58	D-8	TP13	I-3
C6	G-10	C36	J-3	CR22	A-8	Q10	C-7	R28	A-10	R59	F-4	1F	B-3
C7	I-10	C37	J-3	CR23	E-3	R1	D-10	R29	B-10	R60	F-3	2B	D-9
C8	I-11	C38	E-5	CR25	C-10	R2	D-10	R30	B-10	R61	J-3	2C	D-7
C9	D-5	C40	H-11	J1	B-2	R3	D-10	R31	B-10	R62	F-2	2E	D-4
C11	I-5	C41	C-12	J2	J-1	R4	D-10	R33	B-7	R63	E-4	3A	E-11
C12	J-4	C42	C-6	J3	B-12	R5	D-11	R34	A-8	R64	D-4	3B	F-9
C13	I-6	C43	J-10	J4	H-2	R7	F-10	R35	C-10	R65	B-6	3C	F-7
C14	J-6	C44	D-9	L1	F-10	R8	F-11	R36	B-5	R66	B-6	3D	F-6
C15	F-7	CR1	C-11	L2	F-12	R9	D-8	R37	B-5	R68	H-4	3E	F-4
C16	F-8	CR2	C-11	L3	H-12	R10	B-8	R38	A-7	R69	B-6	4A	H-11
C17	F-5	CR3	C-11	L4	C-4	R11	G-10	R39	B-6	R70	A-7	4B	G-9
C18	E-12	CR4	C-11	P5	B-12	R12	G-11	R40	B-7	R71	D-9	4C	G-7
C19	H-10	CR5	B-11	P6	C-12	R13	G-11	R41	A-7	R72	H-2	4D	H-6
C20	C-5	CR6	B-11	P8	F-2	R14	A-5	R42	F-3	R73	B-5	4E2	H-4
C21	E-10	CR7	B-11	P9	G-2	R15	C-8	R43	F-3	TP1	G-10	4F	H-3
C22	H-10	CR8	A-11	P10	H-2	R16	C-8	R44	D-5	TP2	G-12	5B	I-9
C23	E-7	CR9	B-11	P11	I-2	R17	B-8	R45	D-6	TP3	J-10	5C	I-8
C25	G-8	CR10	B-11	P12	I-2	R18	J-10	R47	G-5	TP4	J-11	5D	I-6
C26	J-8	CR11	D-10	P13	J-2	R19	J-11	R48	F-2	TP5	C-4	5E	I-4
C27	C-7	CR12	D-11	Q1	A-10	R20	J-8	R49	J-2	TP6	I-2		
C28	H-6	CR13	B-8	Q2	B-10	R21	I-7	R51	G-7	TP7	C-3		
C29	C-4	CR15	C-8	Q3	B-9	R22	J-5	R52	F-3	TP8	H-8		



IBM
MODEL 5150

DISK DRIVE ADAPTER





SERVO BOARD GridTrace LOCATION GUIDE

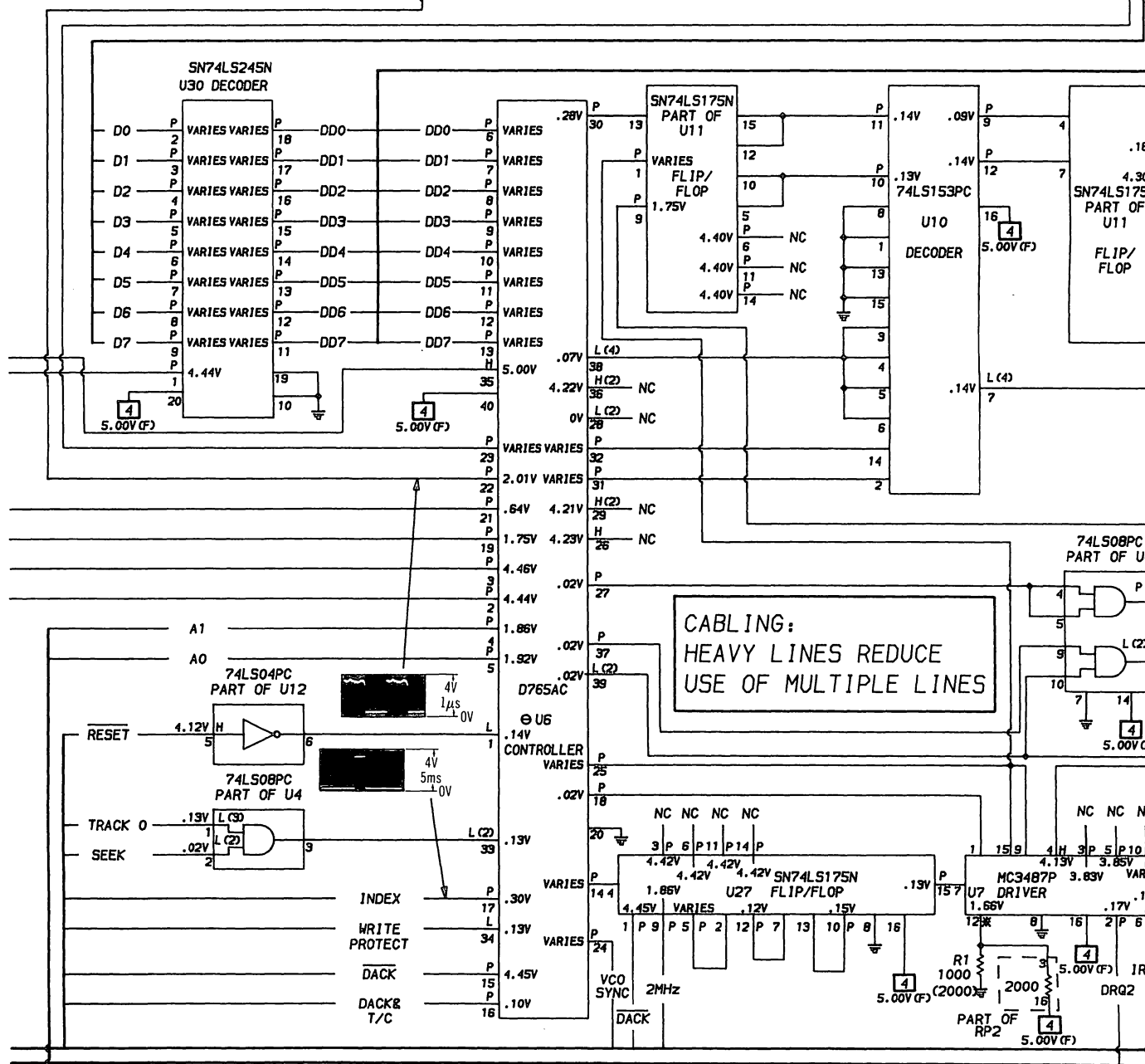
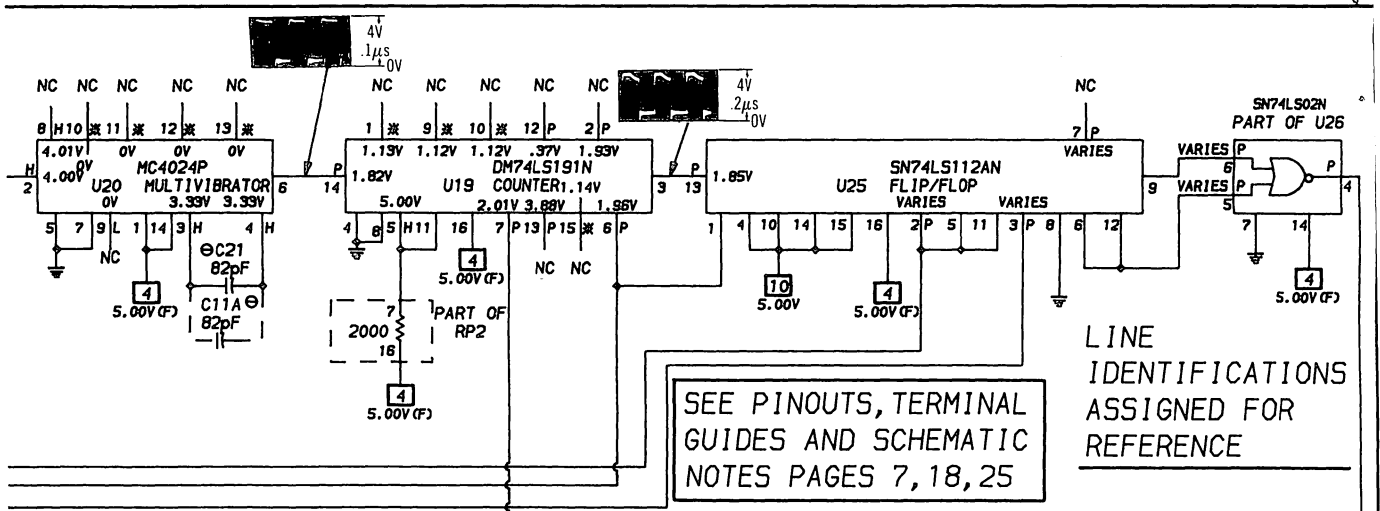
C1A	D-11	C6A	L1A
C2A	E-11	C8A	P20
C3A	D-2	C9A	P21
C4A	E-5	C10A	Q1A
C5A	D-2	J1A	Q2A
E-2	E-2	B-6	D-12
B-6	D-12	B-6	C-14
D-12	C-14		

D-10	R1A
C-14	R2A
D-14	R3A
A-4	R4A
D-10	R5A
R6A	D-5
R7A	D-6
R8A	D-6
R9A	E-7
R10A	D-6

E-2	R11A
C-2	R12A
E-12	R13A
D-5	R14A
E-8	R17A

D-9	R18A
E-8	
E-8	
E-2	
C-5	

D-12



A PHOTOFAC STANDARD NOTATION SCHEMATIC

WITH **CIRCUITRACE**

© Howard W. Sams & Co., Inc. 1984

DISK DRIVE ADAPTER

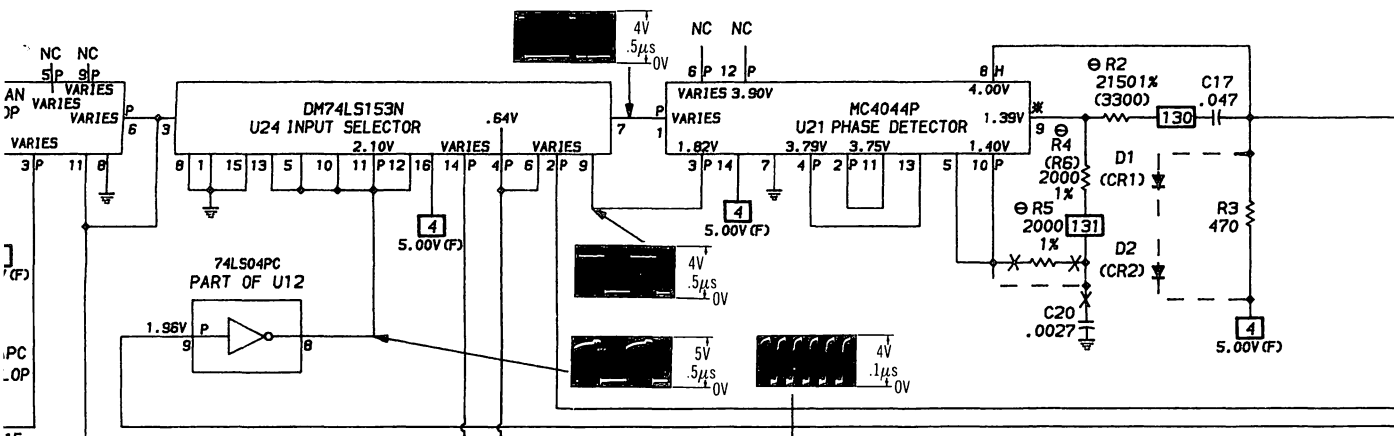
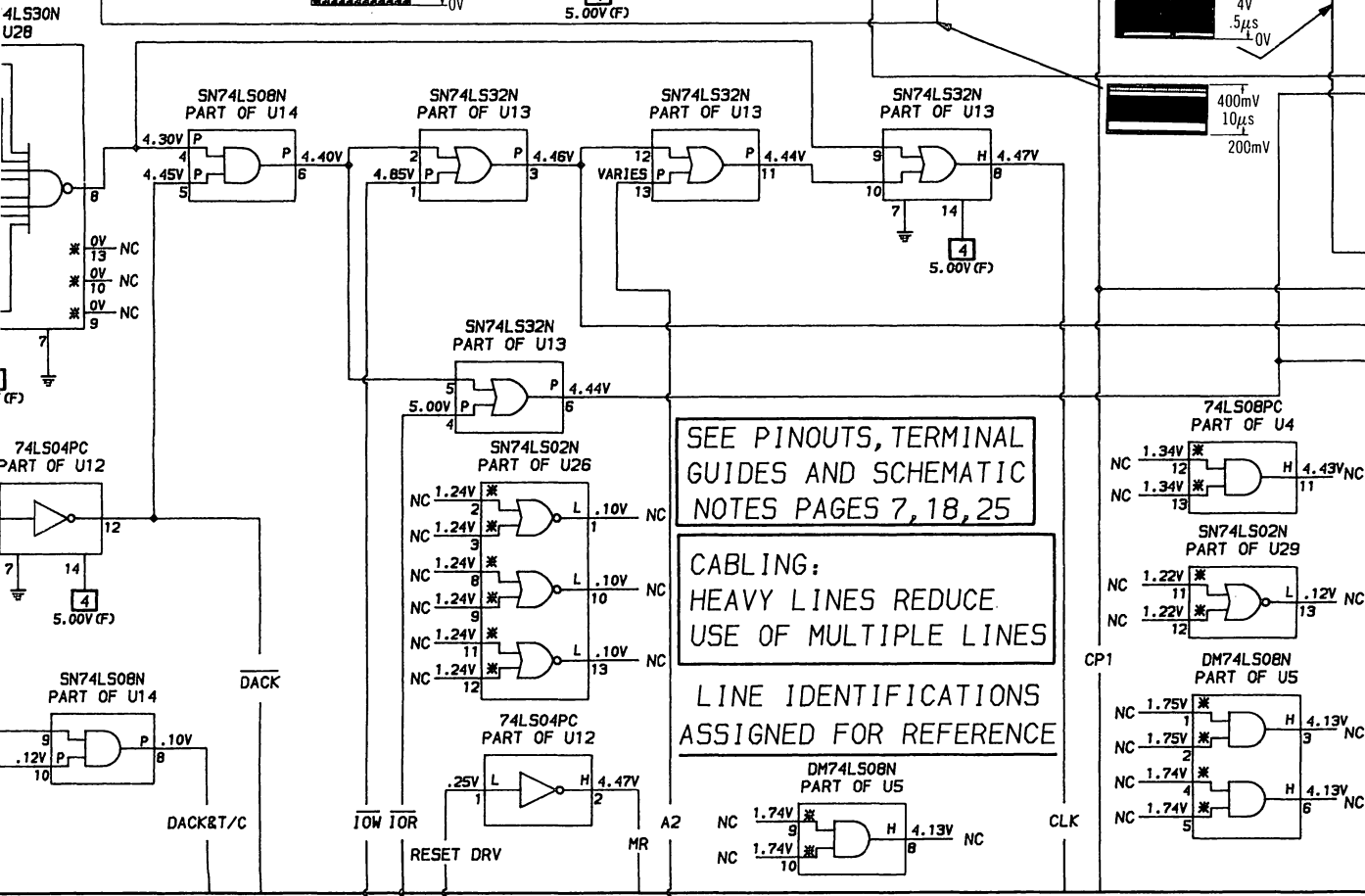
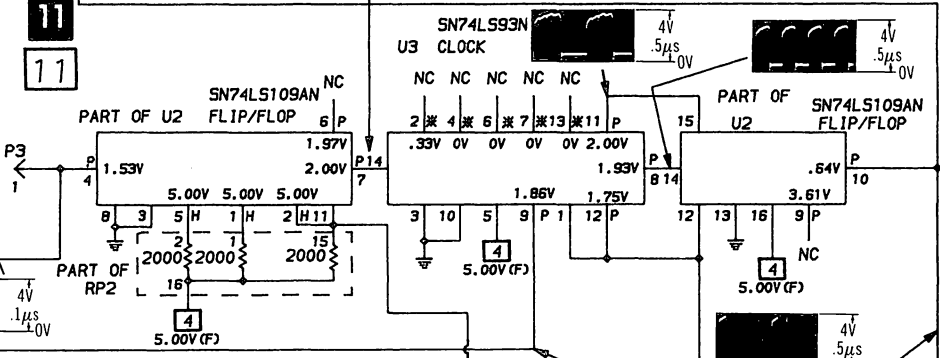
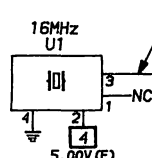


PHOTO CIRCUITRACE = **11**

SCHEMATIC CIRCUITRACE = **11**



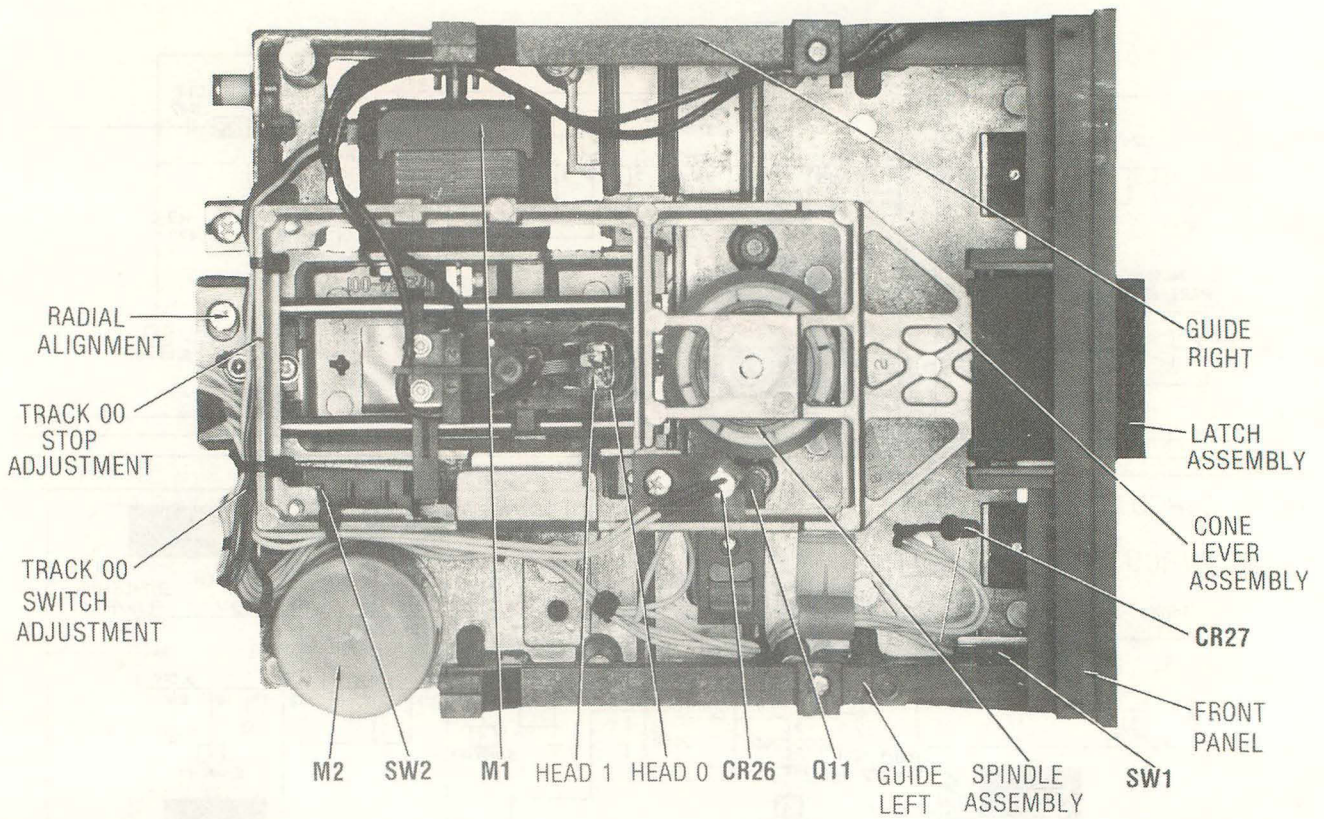
SEE PINOUTS, TERMINAL GUIDES AND SCHEMATIC NOTES PAGES 7, 18, 25

CABLING: HEAVY LINES REDUCE USE OF MULTIPLE LINES

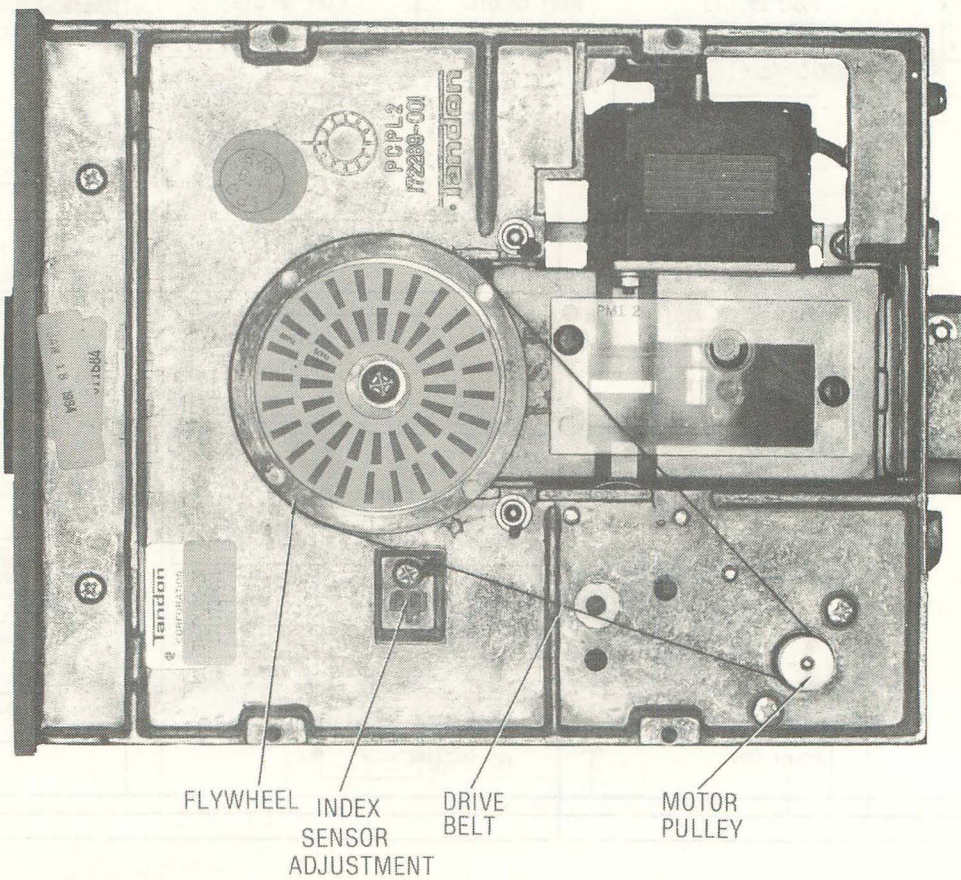
LINE IDENTIFICATIONS ASSIGNED FOR REFERENCE

IBM
MODEL 5150

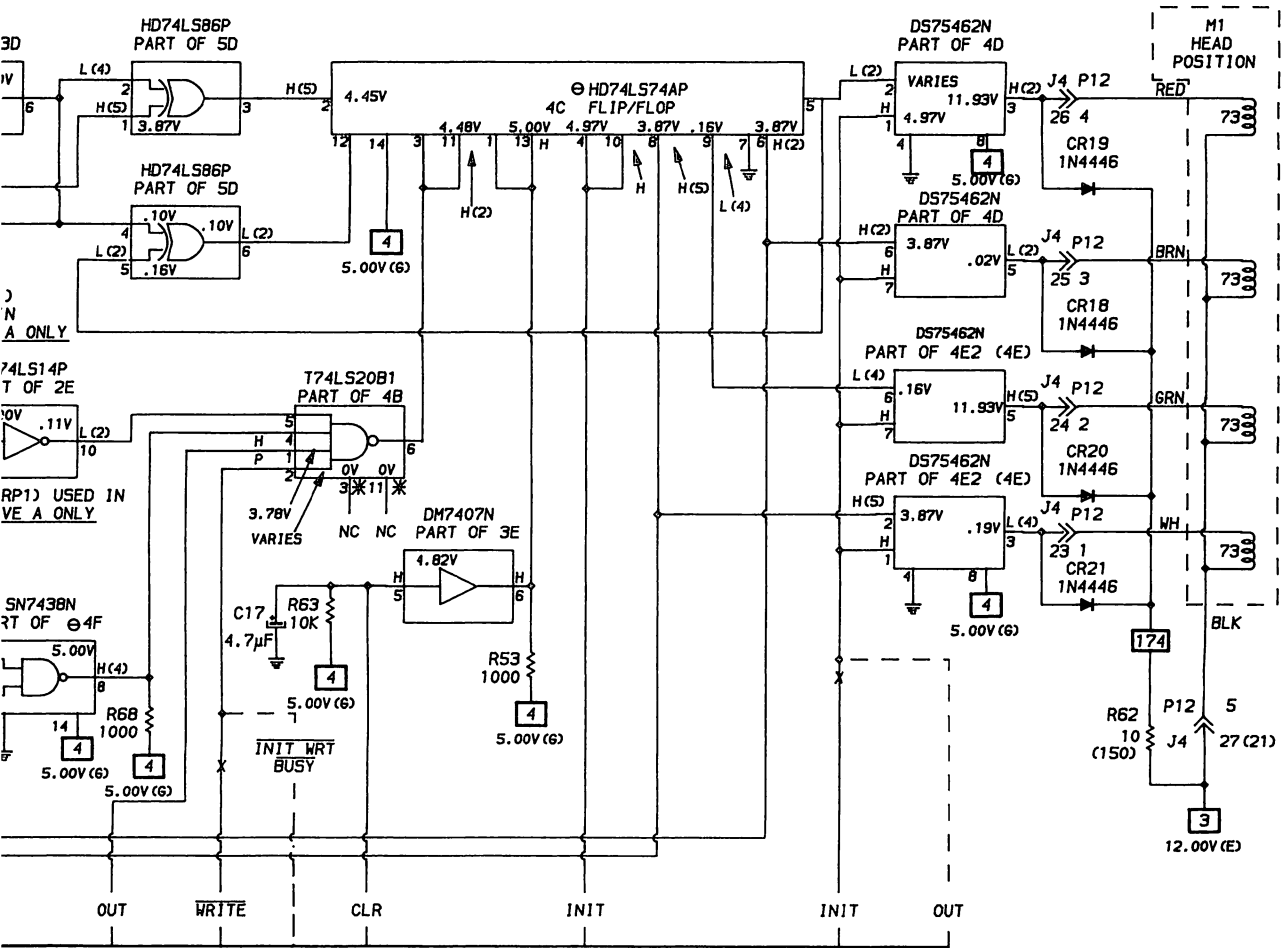
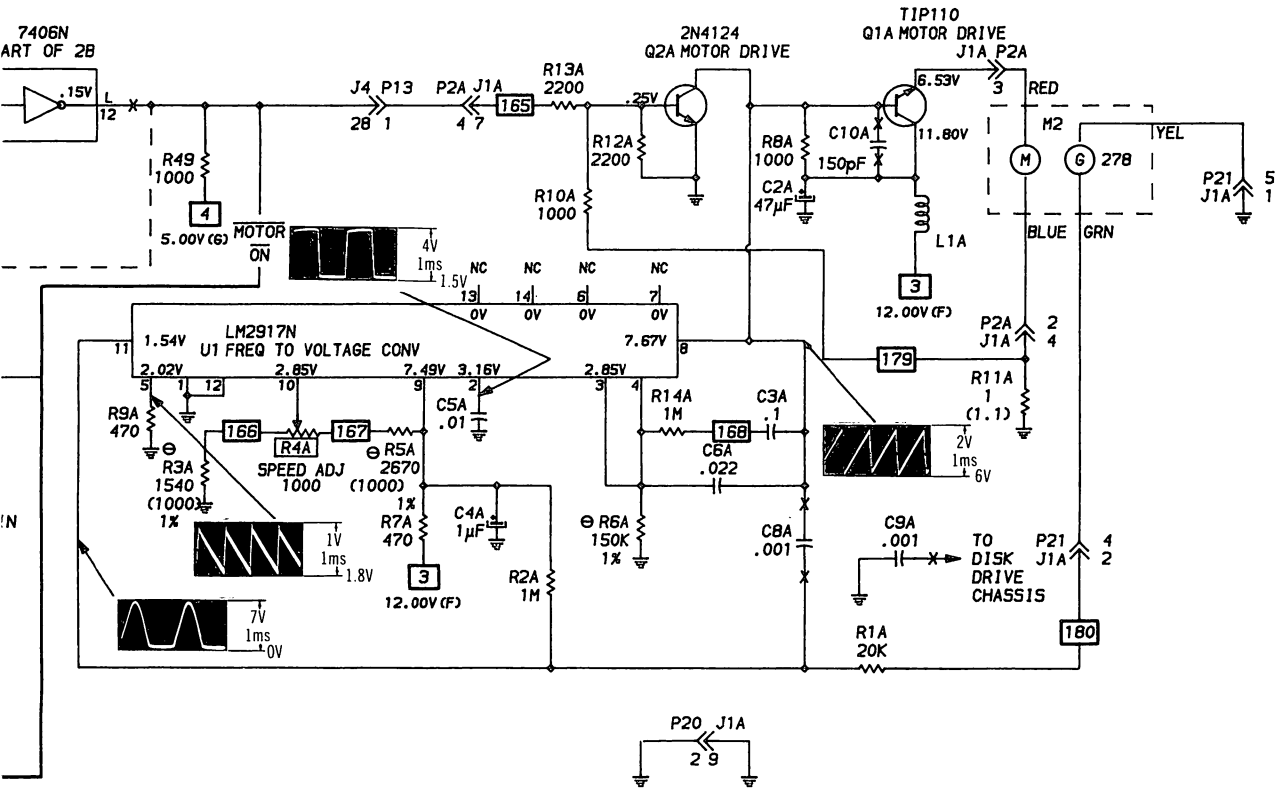
DISK DRIVE ADAPTER



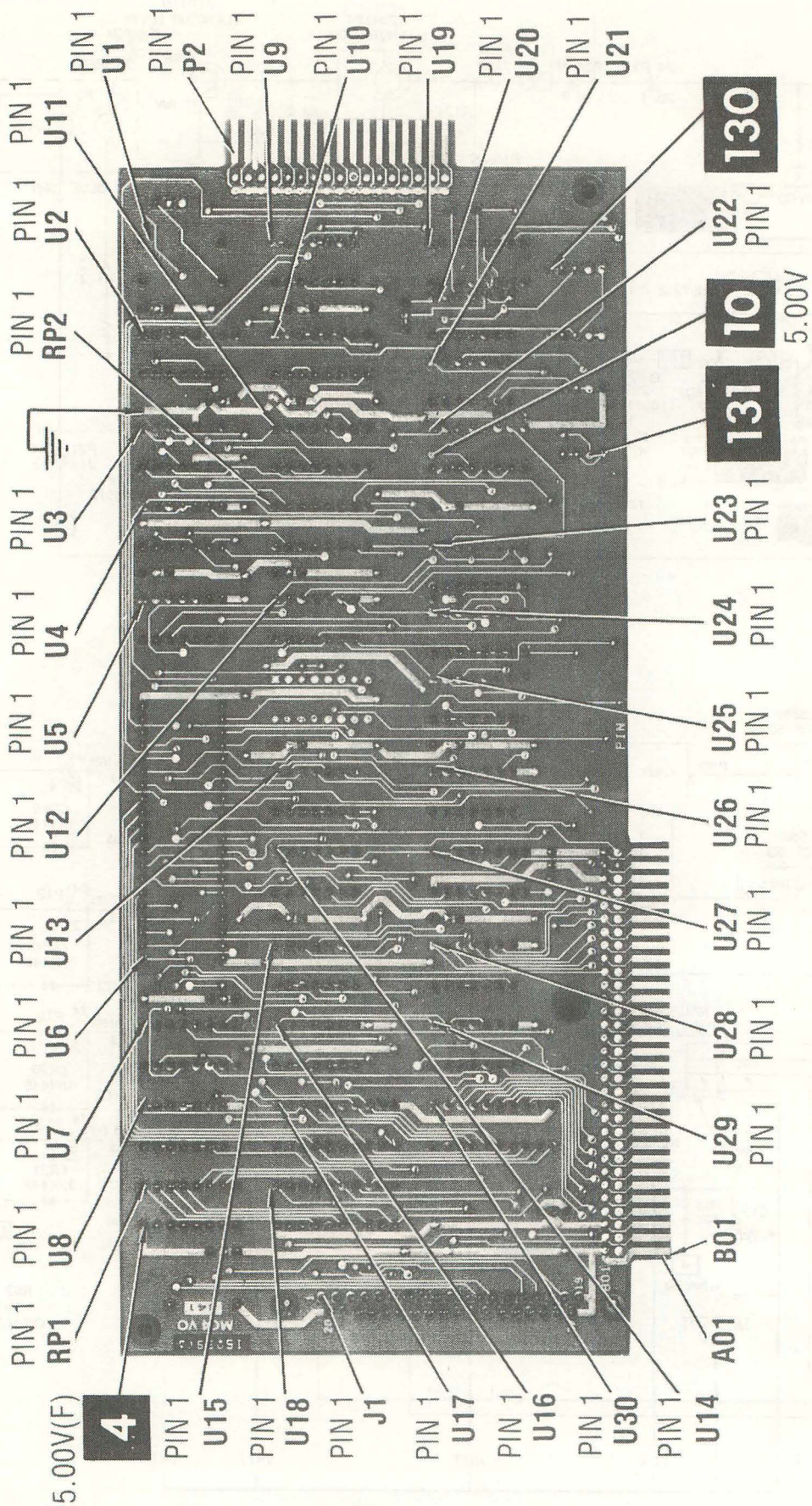
MECHANICAL-TOP VIEW

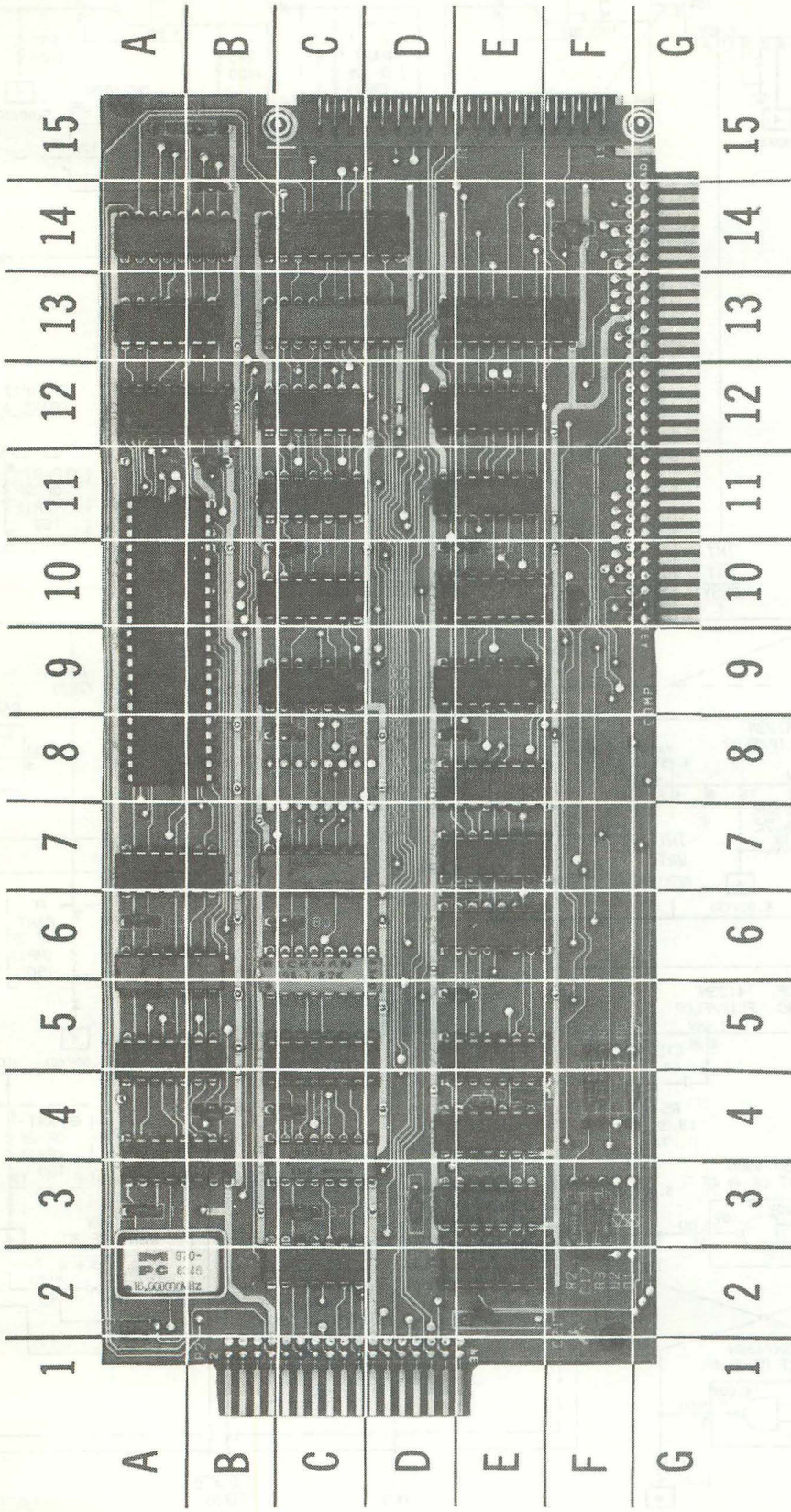


MECHANICAL-BOTTOM VIEW



IBM
DISK DRIVES (A & B) TYPE 1 MODEL 5150





A Howard W. Sams **GRIDTRACE™** Photo

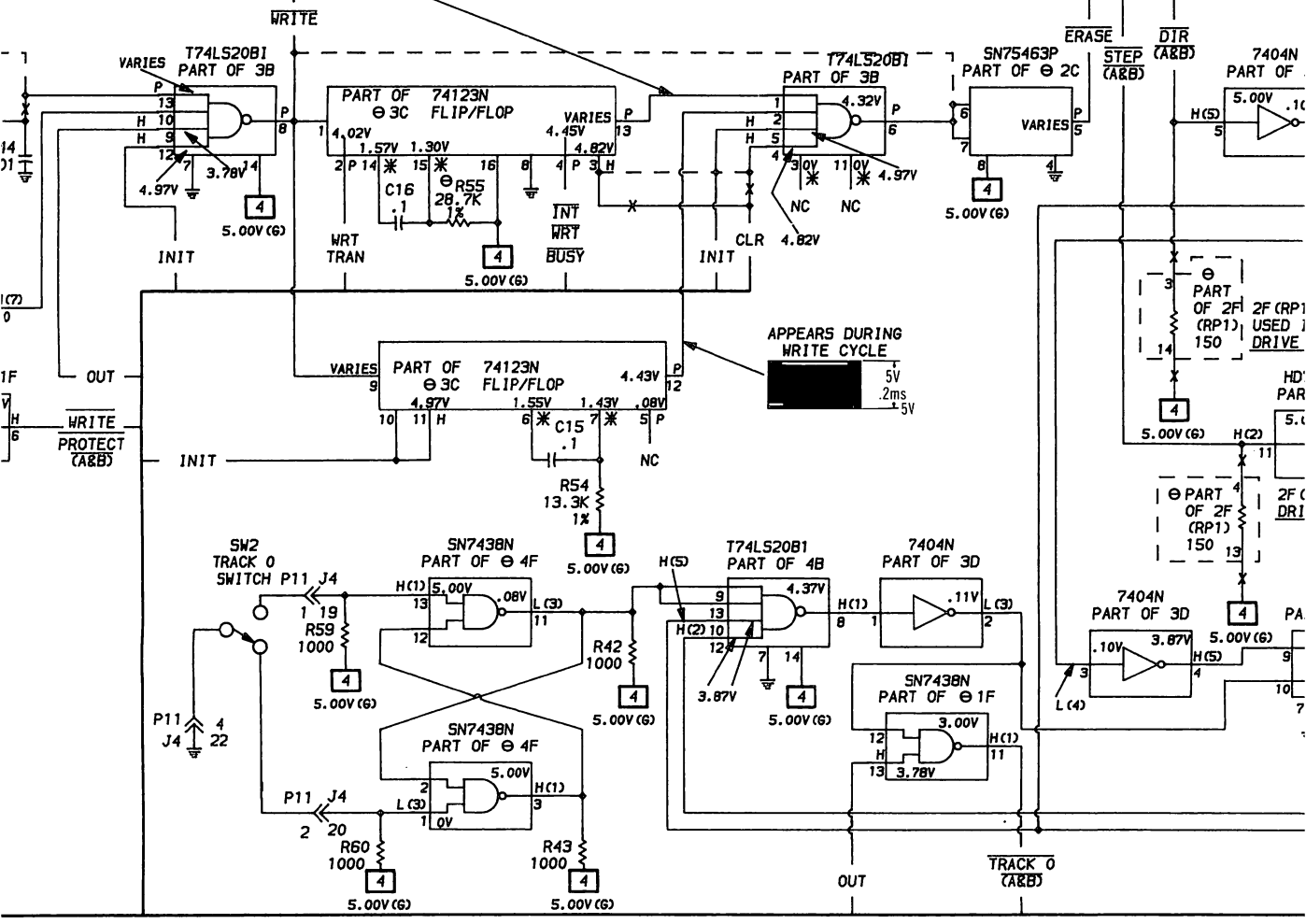
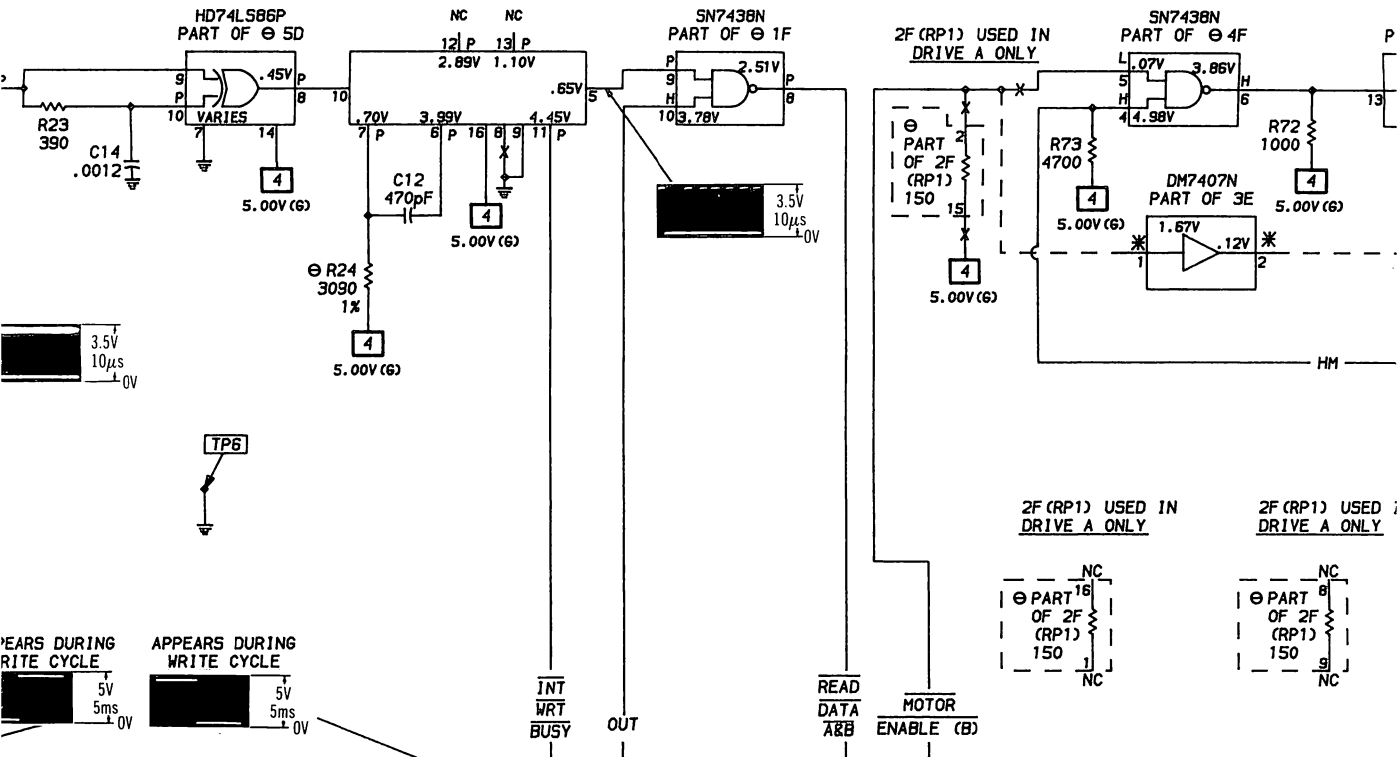
DISK DRIVE ADAPTER

DISK DRIVE ADAPTER GridTrace LOCATION GUIDE

C1	A-3	C10	F-14	R5	F-4	U7	A-12	U16	C-12	U25	E-8
C2	B-4	C-10	G-4	RP1	G-4	U8	A-13	U17	C-13	U26	E-9
C3	A-6	D-3	E-2	RP2	E-2	U9	C-2	U18	C-14	U27	E-10
C4	B-11	E-4	D-15	U1	D-15	U10	C-3	U19	E-2	U28	E-11
C5	B-14	E-5	B-1	U2	B-1	U11	C-5	U20	E-3	U29	E-12
C6	C-3	E-6	A-15	U3	A-15	U12	C-12	U21	E-4	U30	E-13
C7	C-4	E-8	F-2	U4	F-2	U13	C-9	U22	E-5		
C8	C-6	E-10	F-3	U5	F-3	U14	C-10	U23	E-6		
⊘	C-8	F-10	F-4	U6	F-4	U15	C-11	U24	E-7		

IBM
MODEL 5150

PART OF 74221N
SE MULTIVIBRATOR



LINE DEFINITIONS

<p>A0 Thru A9 Address Lines</p> <p>AEN Address Enable</p> <p>CLK Clock</p> <p>CLR Clear</p> <p>CPI Clock Pulse</p> <p>D0 Thru D7 Data Lines</p> <p>DACK Direct Memory Address Acknowledge</p> <p>DACK & TC Direct Memory Address Acknowledge</p> <p>DACK 2 Direct Memory Address Acknowledge Two</p> <p>DIR (A & B) Direction (Disk Drive A and B)</p> <p>DIR (C & D) Direction (Disk Drive C and D)</p> <p>DMA Direct Memory Address</p> <p>DRIVE SELECT (A) Drive Select (Disk Drive A)</p> <p>DRIVE SELECT (B) Drive Select (Disk Drive B)</p> <p>DRIVE SELECT (C) Drive Select (Disk Drive C)</p> <p>DRIVE SELECT (D) Drive Select (Disk Drive D)</p> <p>DRQ2 Data Request Two</p> <p>ENABLE DRIVE (C & D) Enable Drive (Disk Drive C and D)</p> <p>ERASE Erase</p> <p>HM</p> <p>INDEX Index</p> <p>INDEX (A & B) Index (Disk Drive A and B)</p> <p>INDEX (C & D) Index (Disk Drive C and D)</p> <p>INT WRT BUSY Interrupt Write Busy</p> <p>INIT Initialize</p> <p>IOR Input/Output Read</p> <p>IOW Input/Output Write</p> <p>IRQ Interrupt Request</p> <p>MOTOR ENABLE (A) Motor Enable (Disk Drive A)</p> <p>MOTOR ENABLE (B) Motor Enable (Disk Drive B)</p> <p>MOTOR ENABLE (C) Motor Enable (Disk Drive C)</p> <p>MOTOR ENABLE (D) Motor Enable (Disk Drive D)</p>	<p>MOTOR ON Motor On</p> <p>MR Memory Read</p> <p>OUT Output</p> <p>READ DATA Read Data</p> <p>READ DATA (A & B) Read Data (Disk Drive A and B)</p> <p>READ DATA (C & D) Read Data (Disk Drive C and D)</p> <p>RESET Reset</p> <p>SEEK Seek</p> <p>SELECT HEAD 1(A & B) Select Head One(Disk Drive A and B)</p> <p>SELECT HEAD 1(C & D) Select Head One(Disk Drive C and D)</p> <p>S0 Side 0</p> <p>S1 Side One</p> <p>STEP (A & B) Step (Disk Drive A and B)</p> <p>STEP (C & D) Step (Disk Drive C and D)</p> <p>TC</p> <p>TRACK 0 Track 0</p> <p>TRACK 0 (A & B) Track 0 (Disk Drive A and B)</p> <p>TRACK 0 (C & D) Track 0 (Disk Drive C and D)</p> <p>VCO SYNC Voltage Controlled Oscillator Sync</p> <p>WR DATA (A & B) Write Data (Disk Drive A and B)</p> <p>WR DATA (C & D) Write Data (Disk Drive C and D)</p> <p>WRITE Write</p> <p>WRITE DATA 00</p> <p>WRITE DATA 01</p> <p>WRITE GATE (A & B) Write Gate (Disk Drive A and B)</p> <p>WRITE GATE (C & D) Write Gate (Disk Drive C and D)</p> <p>WRITE PROTECT Write Protect</p> <p>WRITE PROTECT (A & B) Write Protect (Disk Drive A and B)</p> <p>WRITE PROTECT (C & D) Write Protect (Disk Drive C and D)</p> <p>WRT TRAN</p> <p>2MHz Clock Frequency</p> <p>16MHz System Clock</p>
--	---

Any Bar above any alphabetical or numerical combination indicates line active in a low (0) state.

SCHEMATIC NOTES

- #— Circuitry not used in some versions
- Circuitry used in some versions
- o See parts list
- ⊕ Ground
- ▭ Chassis
- ▽ Common tie point

Waveforms and voltages taken from ground, unless noted otherwise.

Voltages, Waveforms and Logic probe readings taken with computer turned On, no keys pressed, unless otherwise noted.

Waveforms taken with triggered scope and Sweep/Time switch in Calibrate position, scope input set for DC coupling on 0 reference voltage waveforms. Switch to AC input to view waveforms after DC reference is measured when necessary. Each waveform is 7 cm. width with DC reference voltage given at the bottom line of each waveform.

Time in μ sec. per cm, given with p-p reading at the end of each waveform.

Item numbers in rectangles appear in the alignment/adjustment instructions.

Supply voltages maintained as shown at input.

Voltages measured with digital meter, no signal.

Controls adjusted for normal operation.

Terminal identification may not be found on unit.

Capacitors are 50 volts or less, 5% unless noted.

Electrolytic capacitors are 50 volts or less, 20% unless noted.

Resistors are $\frac{1}{2}W$ or less, 5% unless noted.

Value in () used in some versions.

Measurements with switching as shown, unless noted.

NOTE: Voltages, waveforms and logic probe readings taken on Disk Drive B while running the following Basic program. Readings taken while the Head Position Motor (M2) is not operating unless otherwise noted. A diskette formatted for doubled sided use was used. Diskette was not write protected. Disk Drive A and B have the same voltages, logic probe readings and waveforms unless otherwise noted.

```

10 OPEN "B:SAMS.DAT" FOR OUTPUT AS #1
20 FOR X = 1 TO 300
30 PRINT #1, "THIS IS A TEST"
40 NEXT X
50 CLOSE #1
60 GOTO 10
    
```

Logic Probe Display

L = Low

H = High

P = Pulse

* = Open (No light On)

- (1) Probe indicates L when Head is on track 00 and H when off track 00.
- (2) Probe indicates P when Head Position Motor is operating.
- (3) Probe indicates H when Head is on track 00 and L when off track 00.
- (4) Probe indicates H when Head is moving in and L when Head is moving out from center of diskette.
- (5) Probe indicates L when Head is moving in and H when Head is moving out from center of diskette.
- (6) Probe indicates H if diskette is write protected.
- (7) Probe indicates L if diskette is write protected.
- (8) Probe reading not taken for IC U1 on Servo Board and ICs 3A, 4A and pins 2, 3, 5, 6 and 8 of 5B on Disk Drive Board.

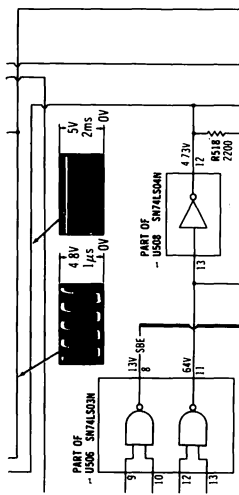
SAMS

Remove staples and use cover for file folder.

COMPUTERFACTS™ put easy to use, informative technical data right at your fingertips. Each edition includes specific service information on the individual component, along with some overall troubleshooting hints.

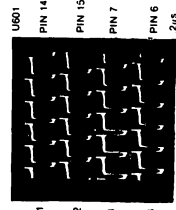
The following information is just a sample of the many valuable time saving features contained in this exclusive Sams COMPUTERFACTS publication:

- Preliminary Service Checks section is an easy to use, step by step guide for the experienced technician or hobbyist, and even beginners.
- SAMS famous industry accepted standardized notation schematics containing CIRCUITTRACE®, GRIDTRACE™, waveforms, voltages and stage identification.



- Step by Step Troubleshooting guides the technician through the necessary procedures to quickly locate the problem.

TROUBLESHOOTING

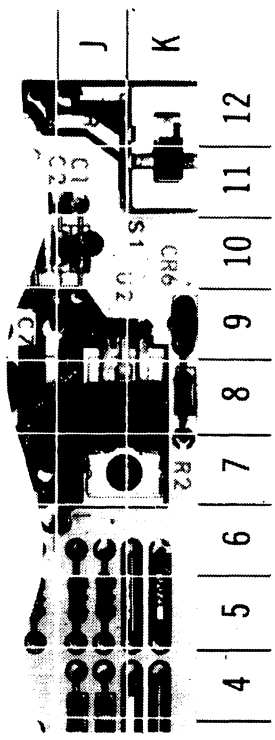


MICROPROCESSOR CHIP (CPU) OPERATION
Verify the processor is functioning by checking the address lines (pins 10 thru 24 of IC U800) and the data lines (pins 41 thru 56) using a logic probe or a scope. If a logic probe is used, refer to the "Logic Chart" for the correct readings. If a scope is used, the waveforms on the address lines should be similar to Figure 1. The waveforms on the data lines should be similar to Figure 2.

- Logic Chart containing logic probe readings to isolate defective circuitry and components.

PIN NO.	IC U100	PIN NO.	IC U100	PIN NO.	IC U102	IC U103	IC U104	IC U105	IC U106	IC U107	IC U108	IC U109
1	P	21	P	1	L	L	L	L	L	L	L	L
2	P	22	P	2	H	P	P	P	P	P	P	P
3	P	23	P	3	H	H	H	H	H	H	H	H

- Quick Component Location using the SAMS exclusive GRIDTRACE, CIRCUITTRACE, and component photographs.



- Complete Components Parts List in an easy to use format with field replacements shown when possible. SAMS unique semiconductor, chip and IC cross-reference gives you many replacements to choose from and is available at your Electronic Distributor.

SEMICONDUCTORS (Select replacement for best results)

ITEM No.	TYPE No.	MFR. PART No.	REPLACEMENT DATA							ZENITH PART No.
			EGG PART No.	GENERAL ELECTRIC PART No.	MOTOROLA PART No.	NTE PART No.	RCA PART No.	WORKMAN PART No.		
D102	1S553	1149-2576	EGS19	GE-514	1M4935	NTE519	SK9091/177	MEP925/519	103-131	
D103	1M60FM	1149-2327	EGS109	1M60	1M4004	NTE109	SK3088	MEP134/109	103-29001	
D201	1M4004GP	1201-4205	EGS116	GE-504A	1M4935	NTE116	SK3312	MEP157	212-76-02	
D901 thru D903	1S553	1149-2576	EGS519	GE-514	1M4935	NTE519	SK9091/177	MEP925/519	103-131	

CIRCUITTRACE is a registered trademark of Howard W. Sams & Co., Inc. COMPUTERFACTS and GRIDTRACE are trademarks of Howard W. Sams & Co., Inc. IBM is a registered trademark of International Business Machine Corporation.

To order, or for more information see your Sams Distributor, or telephone 800-428-SAMS.

SAMS™ Howard W. Sams & Co.
A Division of Macmillan, Inc.
4300 West 62nd Street, Indianapolis, Indiana 46268
CSCS2 ISBN: 0-672-08914-9
08914