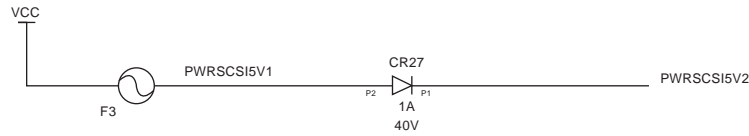
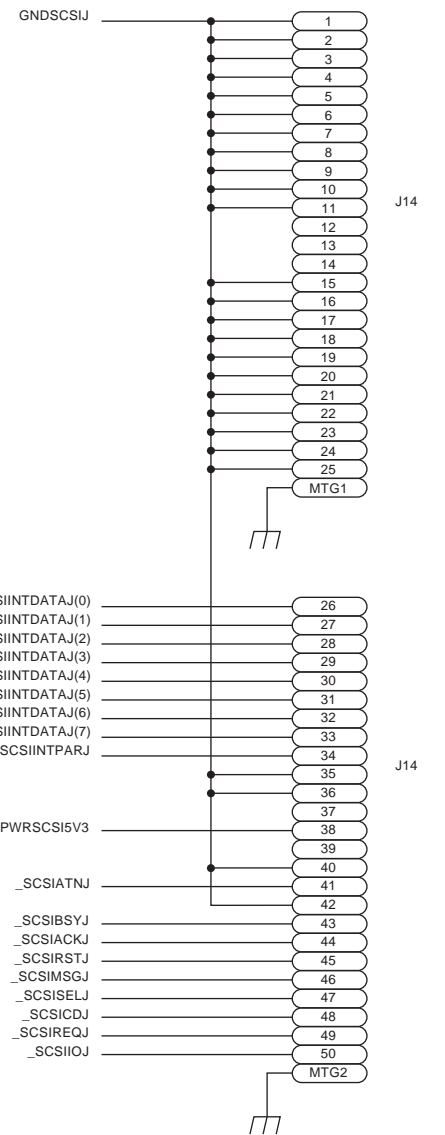


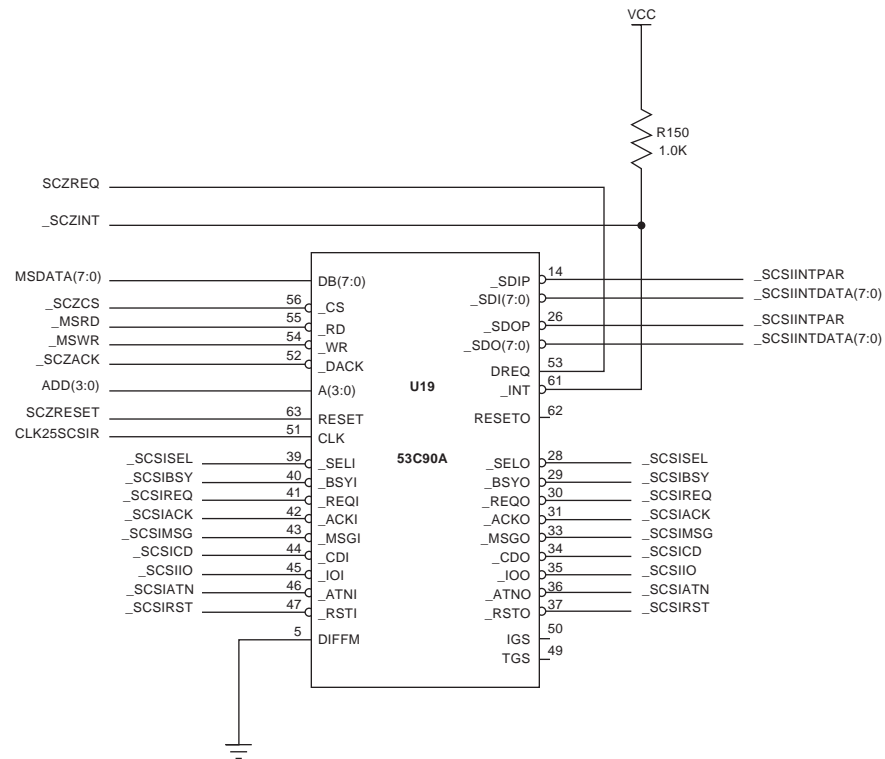
TERMINATOR POWER



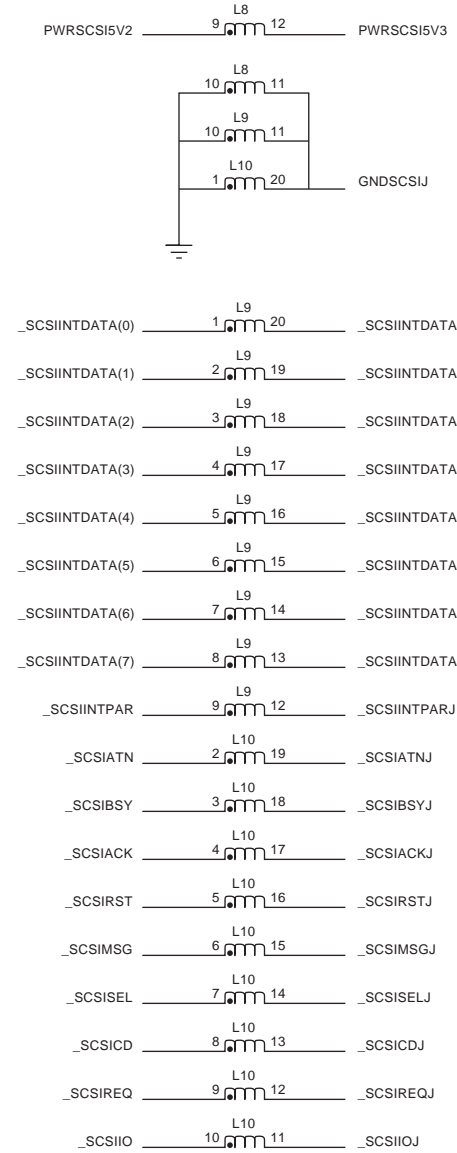
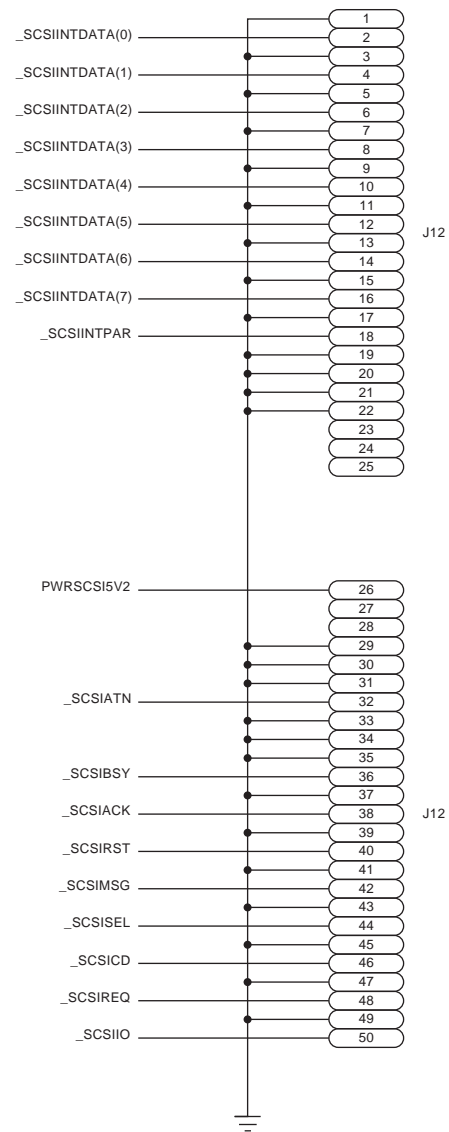
EXTERNAL CONNECTOR



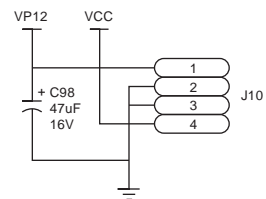
53C90A SCSI CONTROLLER



INTERNAL CONNECTOR



SCSI DRIVE POWER



NOTE TO PCB DESIGNER: The common mode chokes will only be effective if the GNDS are equally divided amongst multiple choke packages. For the SCSI in particular, it takes two common mode chokes. THE GNDS THROUGH ALL PACKAGES USED BY THE SIGNAL PINS!

SCSI