

on the tape reader, answer-back, and distributor contacts when a tape reader is used. When the tape reader is not used, a plug with a jumper wire is inserted in position R2 at the rear of the call control unit.

## 6. TAPE PUNCH

6.01 The 3300 Series Coded Sets are shipped with the tape punch having two disabling clips installed in slots A-O and A-8. If manual operation of the tape punch is desired, retain the two clips; if automatic operation is desired, remove the two clips. See Figure 17. The 33

I/O sets do not have clips, but have either a manual or an automatic tape punch.

6.02 Figure 18 illustrates the installation of a tape spool in a tape roll.

- (a) For 2-inch inside diameter tape rolls, use the tube-type spool.
- (b) For 1-inch inside diameter tape rolls, use the 2-piece spool.
- (c) Place the tape and spool into the tape punch cover so that the leading edge of the tape is at the top of the roll.

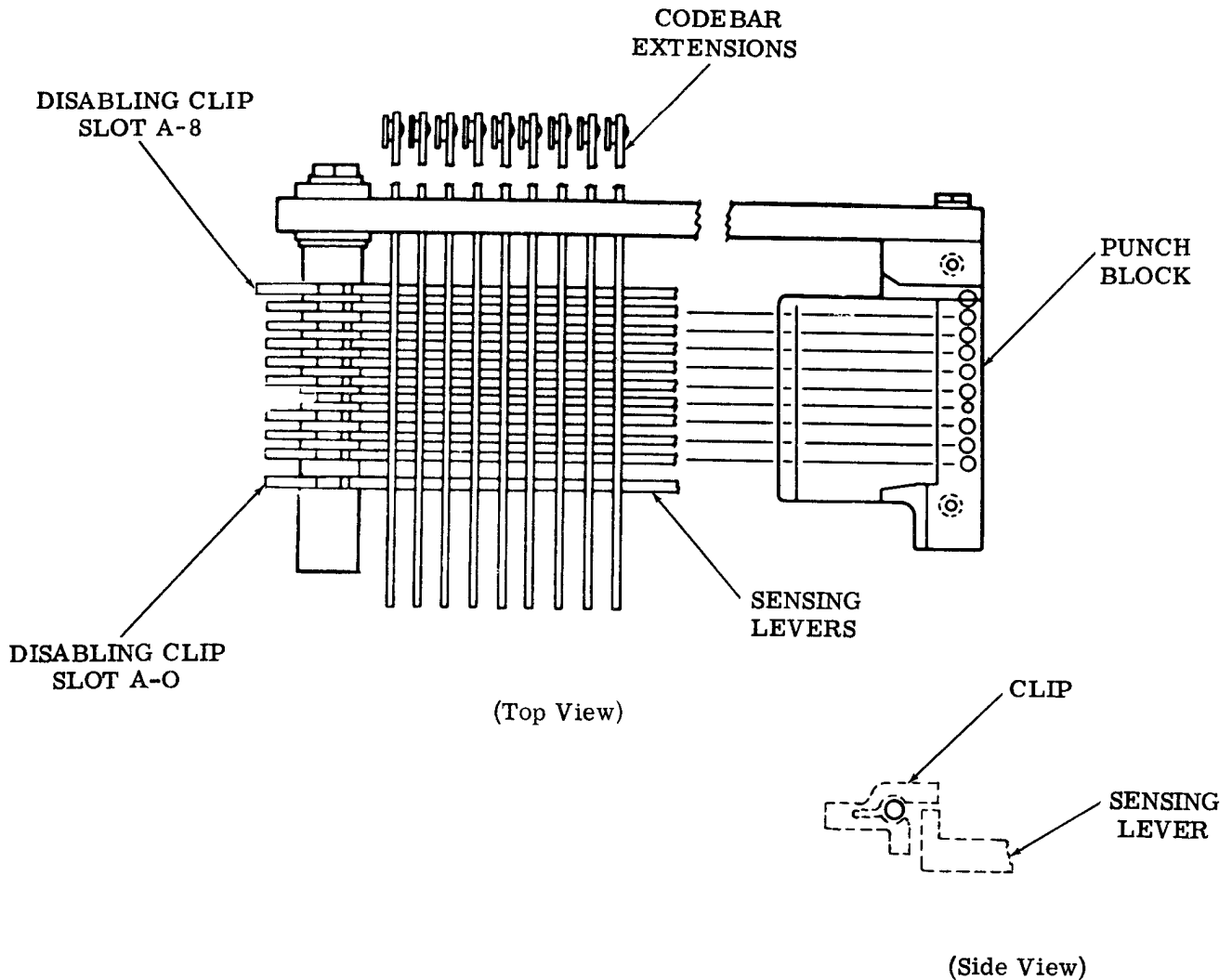


Figure 17 - Tape Punch Disabling Clips

(d) Stop plate for ASR sets without tape reader trip magnet option and for KSR and ASR sets without answer-back trip magnet option (Figure 10):

- (1) The TP186873 stop plate is intended for use in the transmitter distributor and answer-back trip magnet area.
- (2) The stop plate provides an optional feature for selection of three different voltage type magnets for transmitter distributor or answer-back trip operation. To select and add one of the three magnets for transmitter distributor or answer-back trip feature, their associated armature, armature extension, and hardware must also be added.
- (3) The function of the stop plate prevents the TP183098 clutch trip lever or the TP180843 answer-back trip lever from operating when either the transmitter distributor trip or answer-back magnets and associated armature parts are absent.
- (4) The TP186873 stop plate is installed in either the transmitter distributor trip lever magnet position or answer-back position or both (Figure 10).

**B. Call Control Unit (Figure 5)**

3.09 An already established 8-level, call control unit in the 3300 Series Coded Sets performs the basic functions of connecting the printer, keyboard, and reader for use on private line types of dc signal line loops. This unit incorporates the following features:

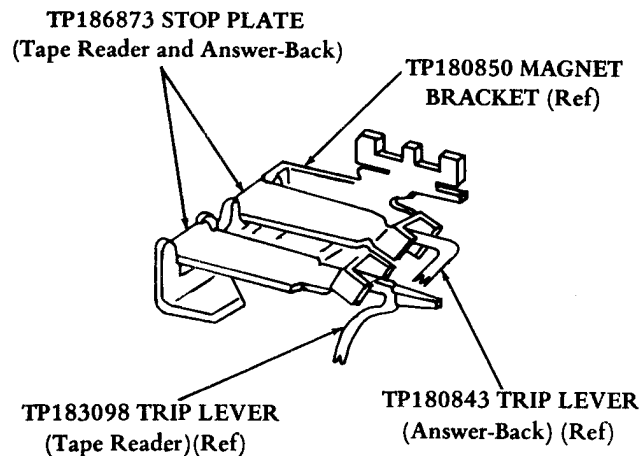


Figure 10 - Stop Plate for Tape Reader and Answer-Back Trip Levers of 3300 Series Coded Sets

- (a) Self-contained power supply to provide local battery for off-line functions
- (b) Local-line power switch
- (c) Selector magnet driver assembly capable of either 0.020 amp or 0.060 amp neutral operation
- (d) Convenience outlet
- (e) Fuses
- (f) Provisions for mounting additional components
- (g) Signal line filter
- (h) Wiring provisions for full duplex operation
- (i) Wiring provisions for parallel input and output.

The manual control knob (Figure 11) for the line-local power switch is located at the front of this unit. (Additional call control unit information is available in Section 574-123-100TC.)

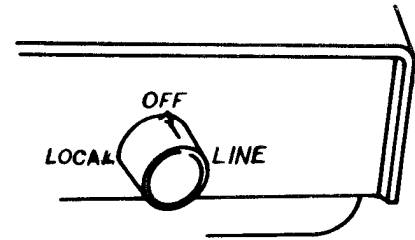


Figure 11 - Set Control Knob

**C. Keyboard (Figures 5 and 6)**

3.10 This keyboard is wired at the factory for even parity which the customer may optionally rewire for 8th bit always marking or always spacing (no parity). Refer to Wiring Diagram Package WDP0316. The keyboard also introduces a keytop arrangement that is compatible with the ASCII, and a matching typewheel (Figure 6).

**D. Tape Punch (Figures 5 and 12)**

3.11 The tape punch for 3300 Series Coded Sets incorporates the customer activated option of automatic operation. The automatic option is activated by removal of the two factory installed TP187001 disabling clips (Figure 12) from slots A-0 and A-8. The manual controls are not disabled and may still be used for operation or to override the automatic functions if desired. The automatic

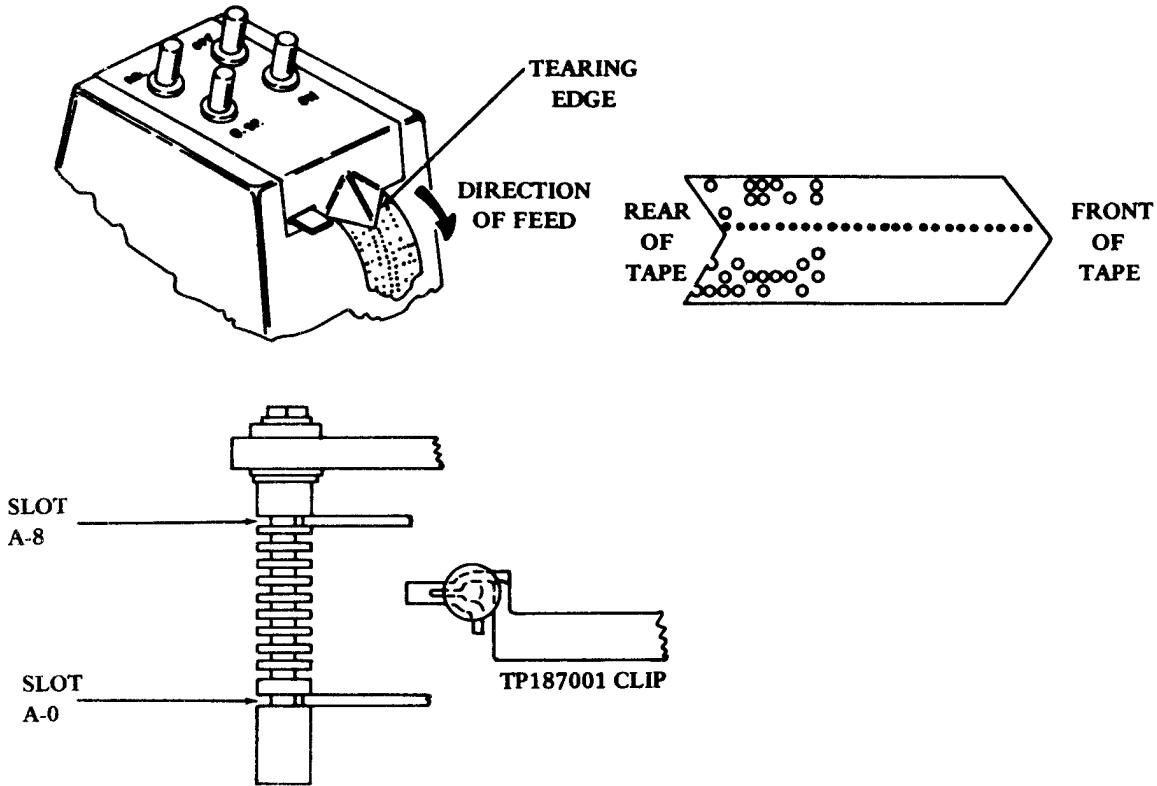


Figure 12 - Model 33 Auto/Manual Tape Punch for 3300 Series Coded Sets

functions may be disabled by reinstalling the clips. (Refer to Section 574-125-100TC for more detailed description and to Section 574-100-201TC for installation instructions.)

E. Tape Reader (Figures 5 and 13)

3.12 There is a choice of either a manual or an automatic/manual tape reader for the 3300 Series Coded Sets (Figure 13). The power pack that was formerly located outside of an ASR set is now located in the call control unit as shipped from the factory (Figure 5). If desired, this power pack may still be moved out of the set in order to install other special equipment. Operation and controls of these tape readers are as follows:

(a) Manual Operation:

**START** – Reader will run in this position until turned off, end of tape is reached, or the tight tape switch is operated.

**STOP** – Reader is inoperative in this position.

**FREE** – Disengages tape feed mechanism. Allows operator to pull tape through the reader for positioning.

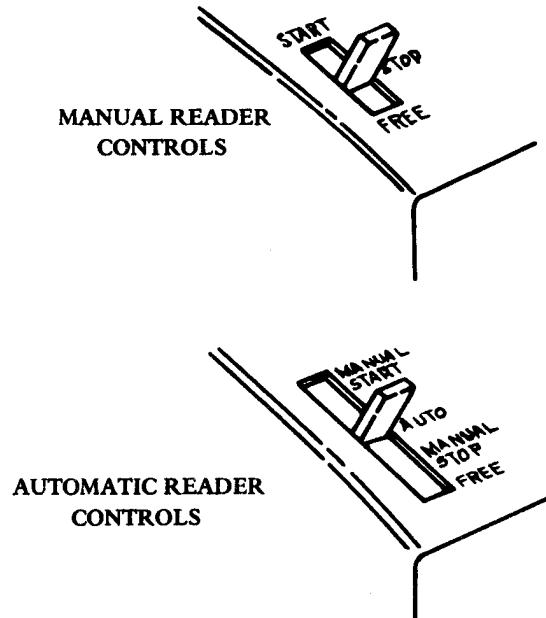


Figure 13 - Choice of Model 33 Tape Readers for 3300 Series Coded Sets