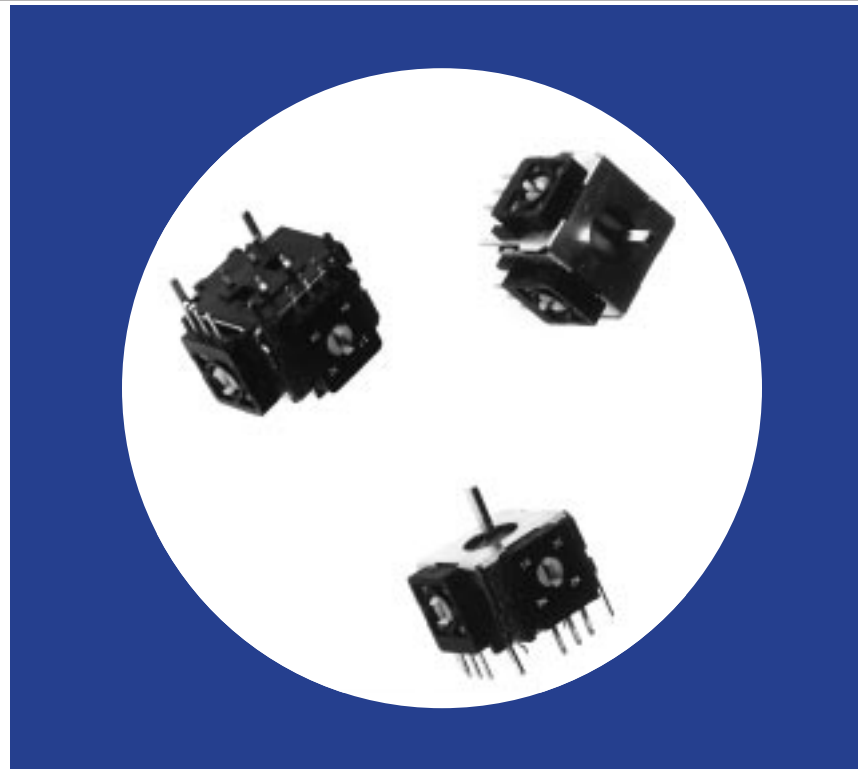


## Two Axis, Ministick Controller with optional momentary switch

### Features

- Compact Size (20x21x13mm)
- Long Life 1 Million Cycle
- Optional momentary switch is operational at all rotations
- Sturdy metal case with convenient mounting tabs



Patent Pending

## Electrical and Mechanical Specifications

### Potentiometer 1 & 2

#### Resistance Range

10 K ohms through 200 K  $\Omega$

#### Resistance Tolerance

Standard:  $\pm 20\%$

Special:  $\pm 10\%$  and  $\pm 30\%$  available

#### Resistance Taper

Linear  $\pm 5\%$

#### Insulation Resistance

100 M $\Omega$  min @ 250 VDC

#### Rotational Torque

153  $\pm$  102 gf-cm

#### Power Rating

0.01 watt @ 50C°, 0.003 watt @at 70C°

#### Maximum Operating Voltage

Maximum 50 VAC or 5 VDC

#### Angle of Rotation

60°

#### Life

1,000,000 cycles

### Available Switch

#### Type

Momentary

#### Contact Resistance

100 m $\Omega$  max

#### Dielectric Strength

250 VAC 50/60 Hz for 1 minute

#### Insulation Resistance

100 M $\Omega$  min @ 100 VDC

#### Operational Force

520 $\pm$ 260 gf

#### Power Rating

12 VDC, 50 Milliamps

#### Travel

0.5 +0.5 -0.4mm

#### Life

100,000 cycles

Continued to other side

Technical Data Sheet 1252

# Electrical and Mechanical Specifications

Continued from other side

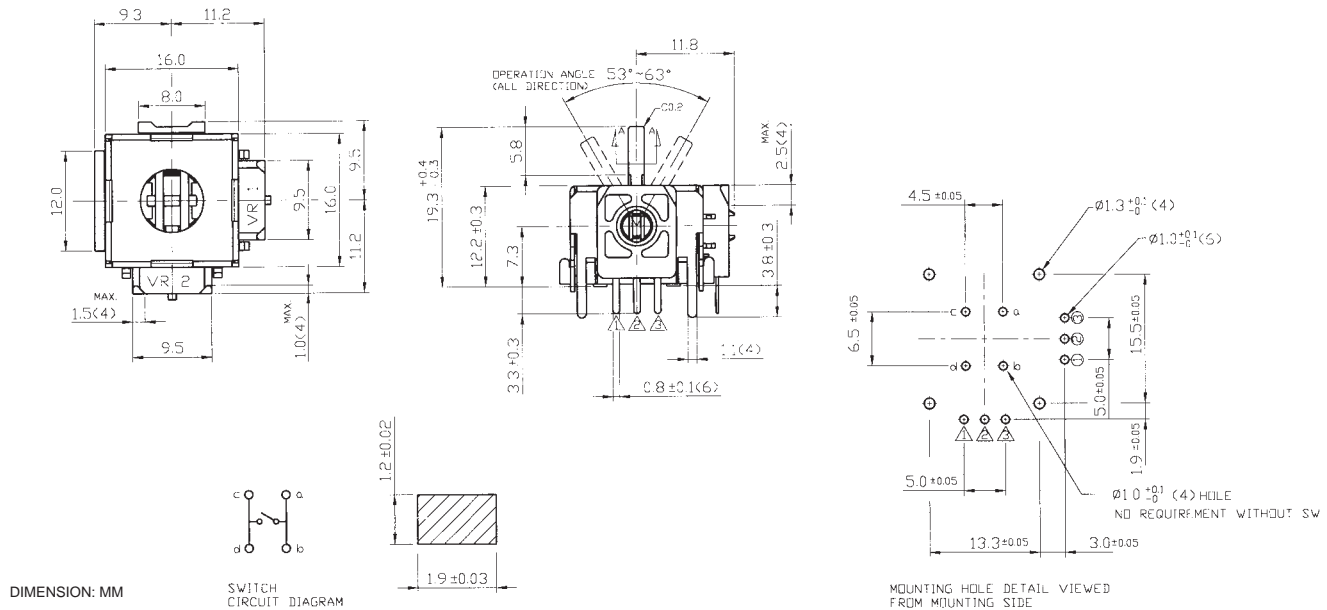
**Operating Temperature**  
-10°C to +70°C

**Mounting Information**  
PC Terminals

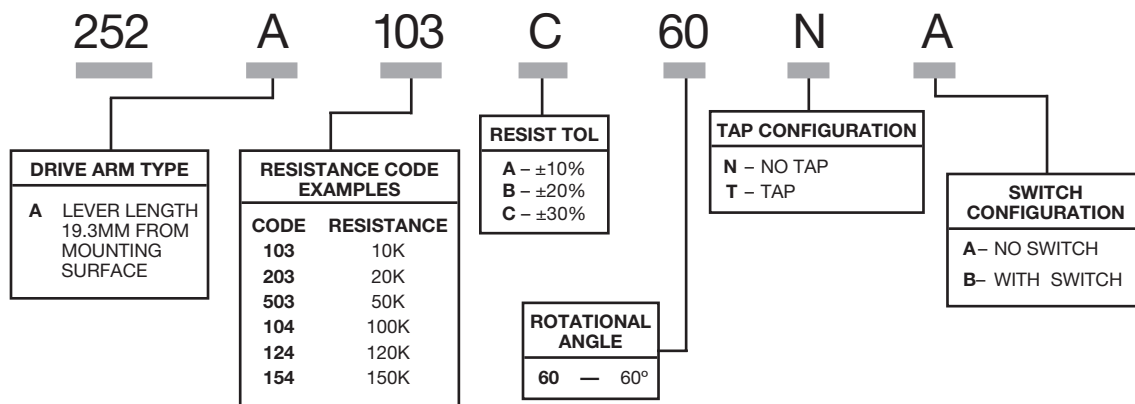
## Soldering Conditions

Preheat 90° - 100°C, 45 seconds, maximum  
Soldering 255°C, 3 seconds maximum  
No Solder or flux on component side of board

## CTS Series 252



## Ordering Information



## Order From:

**CTS CORPORATION, RESISTOR/ELECTROCOMPONENTS** / 1601 Mishawaka Street / Elkhart, Indiana 46514  
North America Toll Free (888) 287-4690 / (219) 296-6700 / FAX: (219) 293-1240 <http://www.ctscorp.com>

**CTS COMPONENTS TAIWAN, LTD.** / 7, Central 6th Road (Chung Liu Road) / P.O. Box 26-20  
Kaohsiung Export Processing Zone / Kaohsiung, Taiwan, Rep. of China  
(07) 8216145 / FAX: (07) 8417642.8110040