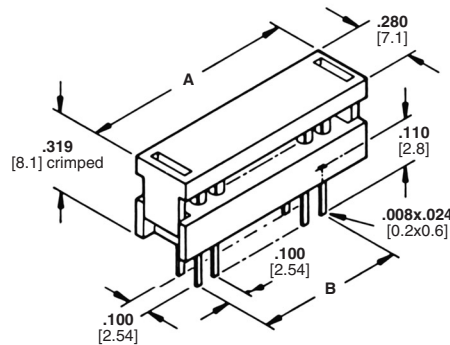
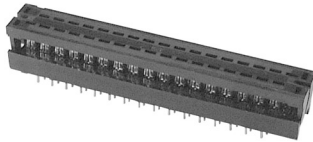


Ansley 609 2 Row PCB Transition Connectors with Tulip Contact

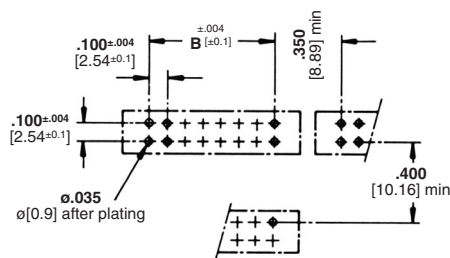
PCB Transition Connector



Material and Finish:

- Contacts**—Beryllium Copper
- Contact area plating**—SnPb
- Colour**—Blue
- Insulation material**—Glass filled thermoplastic
- Flammability**—UL 94V-0
- Current rating**—1A
- Insulation resistance**— $1 \times 10^9 \Omega$
- Dielectric strength**— $>1000V$ rms at sea level
- Temperature rating**— -55 to $+125^\circ C$

Recommended PC Board Pattern



Accessories:

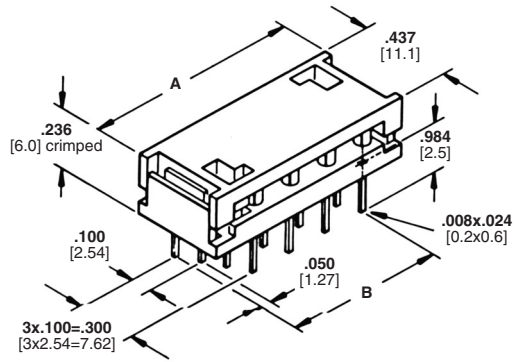
Application Tooling:

- Hand Tool:** 779-2100 (0-1437000-6)
- use Die 779-2153 (1-1437000-3)
- Bench Press (manual):** 779-3200 (0-1437001-4)
- use Platen 779-3130 (5-1437000-6)
- use Base Plate 779-3153 (6-1437000-7)

No. of Ways	Dimensions		2 Row	
	A	B	Part Ref	Part Number
10	.713 18.1	.400 10.16	609-1053	0-1437006-7
14	.913 23.2	.600 15.24	609-1453	1-1437006-0
16	1.012 25.7	.700 17.78	609-1653	1-1437006-3
20	1.213 30.8	.900 22.86	609-2053	1-1437006-6
26	1.512 38.4	1.200 30.48	609-2653	2-1437006-1
34	1.913 48.6	1.600 40.64	609-3453	2-1437006-4
40	2.212 56.2	1.900 48.26	609-4053	2-1437006-8
50	2.713 68.9	2.400 60.96	609-5053	3-1437006-3
60	3.213 81.6	2.900 73.66	609-6053	3-1437006-8

Ansley 609 4 Row PCB Transition Connectors with Tulip Contact

PCB Transition Connector



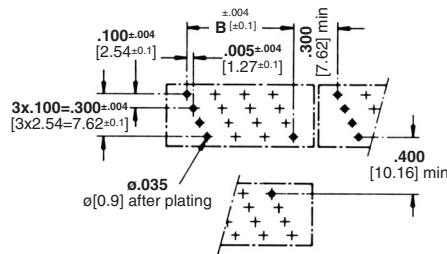
- Material and Finish:**
Contacts—Beryllium Copper
Contact area plating—SnPb
Colour—Blue
Insulation material—Glass filled thermoplastic
Flammability—UL 94V-0
Current rating—1A
Insulation resistance— $1 \times 10^9 \Omega$
Dielectric strength— $>1000V$ rms at sea level
Temperature rating— -55 to $+125^\circ C$

Accessories:

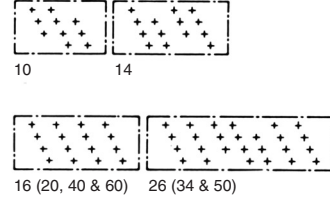
Application Tooling:

- Hand Tool:** 779-2100 (0-1437000-6)
 use Die 779-2152 (1-1437000-2)
Bench Press (manual): 779-3200 (0-1437001-4)
 use Platen 779-3130 (5-1437000-6)
 use Base Plate 779-3152 (6-1437000-6)

Recommended PC Board Pattern



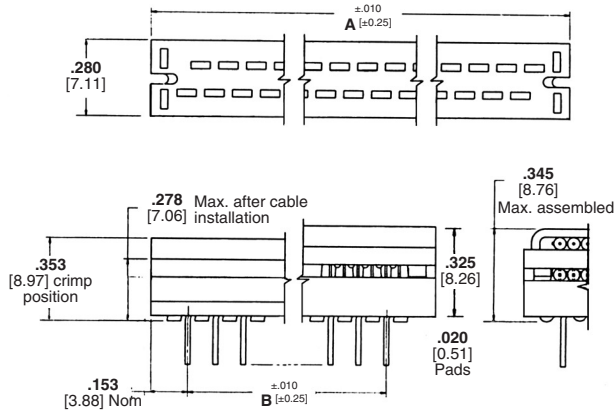
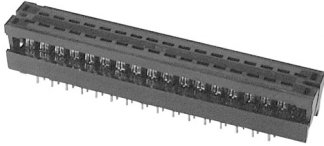
PCB Pattern for No. of Positions



No. of Ways	Dimensions		4 Row	
	A	B	Part Ref	Part Number
10	.710 18.03	.450 11.43	609-1003	0-1437006-5
14	.910 23.11	.650 16.51	609-1403	0-1437006-8
16	1.010 25.65	.750 19.05	609-1603	1-1437006-1
20	1.210 30.73	.950 24.13	609-2003	1-1437006-4
26	1.510 38.35	1.250 31.75	609-2603	1-1437006-8
34	1.910 48.51	1.650 41.91	609-3403	2-1437006-2
40	2.210 56.13	1.950 49.53	609-4003	2-1437006-6
50	2.710 68.83	2.450 62.23	609-5003	3-1437006-1
60	3.210 81.53	2.950 74.93	609-6003	3-1437006-6

Ansley 622 2 Row PCB Transition Connectors

PCB Transition Connector



Material and Finish:

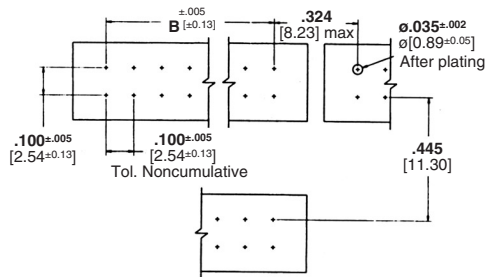
- Contacts**—Beryllium Copper
- Contact area plating**—SnPb
- Colour**—Blue
- Insulation material**—Glass filled thermoplastic
- Flammability**—UL 94V-0
- Current rating**—1A
- Insulation resistance**— $1 \times 10^9 \Omega$
- Dielectric strength**— $>1000V$ rms at sea level
- Temperature rating**— -55 to $+125^\circ C$

Accessories:

Application Tooling (Before Solder):

- Hand Tool:** 779-2100 (0-1437000-6)
- use Die 779-2153 (1-1437000-3)
- Bench Press (manual):** 779-3200 (0-1437001-4)
- use Platen 779-3130 (5-1437000-6)
- use Base Plate 779-3153 (6-1437000-7)

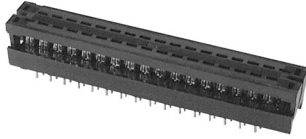
Recommended PC Board Pattern



No. of Ways	Dimensions		2 Row	
	A	B	Part Ref	Part Number
10	.706 17.93	.400 10.16	622-1053	1-1437007-2
14	.906 23.01	.600 15.24	622-1453	2-1437007-0
16	1.006 25.55	.700 17.78	622-1653	2-1437007-9
20	1.206 30.63	.900 22.86	622-2053	3-1437007-7
26	1.506 38.25	1.200 30.48	622-2653	5-1437007-1
34	1.906 48.41	1.600 40.64	622-3453	6-1437007-5
40	2.206 56.03	1.900 48.26	622-4053	7-1437007-7
50	2.706 68.73	2.400 60.96	622-5053	8-1437007-9
60	3.206 81.43	2.900 73.66	622-6053	9-1437007-9

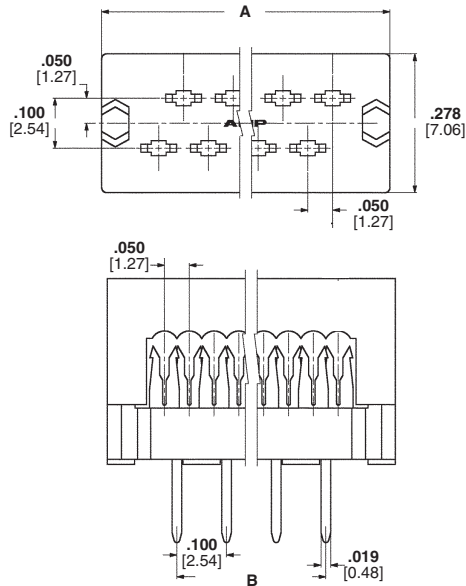
AMP-LATCH 2 Row PCB Transition Connectors

PCB Transition Connectors



Material and Finish:

- Contacts**—Phosphor Bronze
- Contact area plating**—SnPb
- Colour**—Black
- Insulation material**—Thermoplastic
- Flammability**—UL94V-0
- Current rating**—1A
- Insulation resistance**— $1 \times 10^9 \Omega$
- Dielectric strength**—1000V at sea level
- Temperature rating**—-55 to +105°C



No. of Ways	Dimensions		2 Row Part Number
	A	B	
10	.680 17.27	.400 10.16	0-746610-1
14	.880 22.35	.600 15.24	0-746610-2
16	.980 24.89	.700 17.78	0-746610-3
20	1.180 29.97	.900 22.86	0-746610-4
26	1.480 37.59	1.200 30.48	0-746610-6
34	1.880 47.75	1.600 40.64	0-746610-8
40	2.180 55.37	1.900 48.26	0-746610-9
50	2.680 68.07	2.400 60.96	1-746610-0
60	3.180 80.77	2.900 73.66	1-746610-1

4

Ribbon and Flexible Flat Cable Products