

PRODUCT DESCRIPTION

The T&B Manual Bench Presses are rugged, easy-to-use production crimp tools designed for medium to large volume mass termination of flat cable to connectors. A complete series of interchangeable base plates and platens accommodates the full range of Thomas & Betts IDC connectors and eliminates the need for wire stripping or soldering.

DESIGN ADVANTAGES

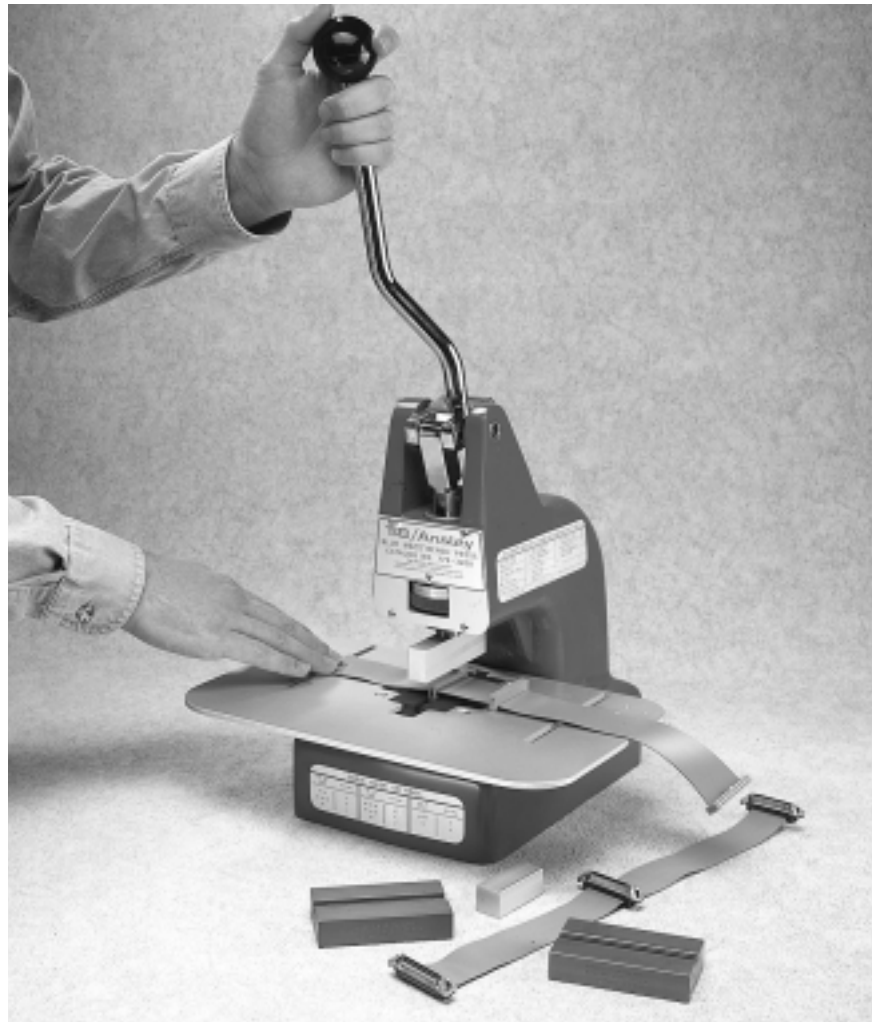
- Includes standard platen 779-3130.
- Modified platens for special connectors are available (purchased separately).
- A full series of base plate inserts are available for mass terminating all Thomas & Betts IDC connector families.
- Base plates and platens can be rotated 90° to accommodate cable clearance for mid-span crimping.
- Cable guide assures that cable enters connector at right angles and load is evenly distributed over the connector cover during the compression cycle.
- Crimp reliability provided through the positive bottoming action of platen die on the connector.
- Base plate and platen rotation for mid-span crimping maximizes installation versatility.

ORDERING EXAMPLES

To apply Slimline PCB Solder Transition Connectors before connector is soldered to the board, use Base Plate 779-3153 with Platen 779-3130.

To apply Slimline PCB Solder Transition Connectors after connector is soldered to the board, use Base Plate 779-3154 with Platen 779-3133.

779-3200 MANUAL BENCH PRESS

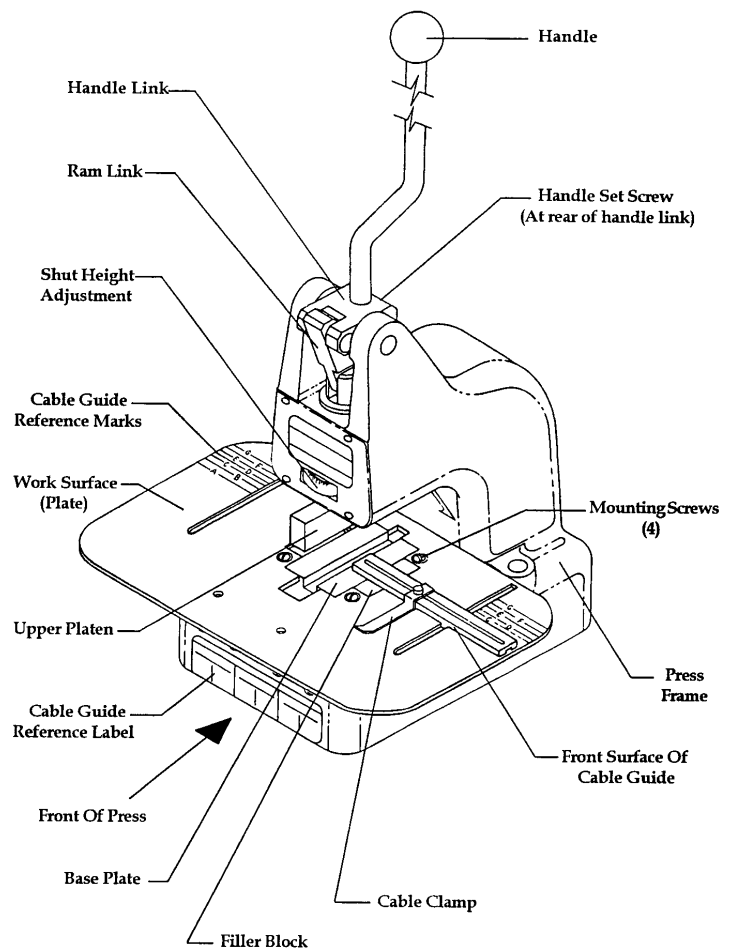
**779-3200**

Manual Bench Press
with Standard Platen (779-3130)

**779-3200
MANUAL BENCH PRESS**

PHYSICAL PROPERTIES

WEIGHT: 2.1 lbs.



Assembly Cycle Time (Assy. / Hour)

TYPE OF ASSEMBLY	779-2100 HAND TOOL	779-3200 BENCH PRESS	779-3500XT PNEUMATIC PRESS	779-7500 SEMI-AUTO MACH.	779-9000 AUTO MACH. STANDARD	779-9001 AUTO MACH. FINE PITCH
	No Test	No Test	No Test	No Test	Short Test	Full Test
	150-200	190-240	205-255	850-1100	1700-1900	1600-1900
	75-100	90-130	100-140	450-600	650-750	500-700
	40-60	65-85	70-100	N/A	490-560	400-555