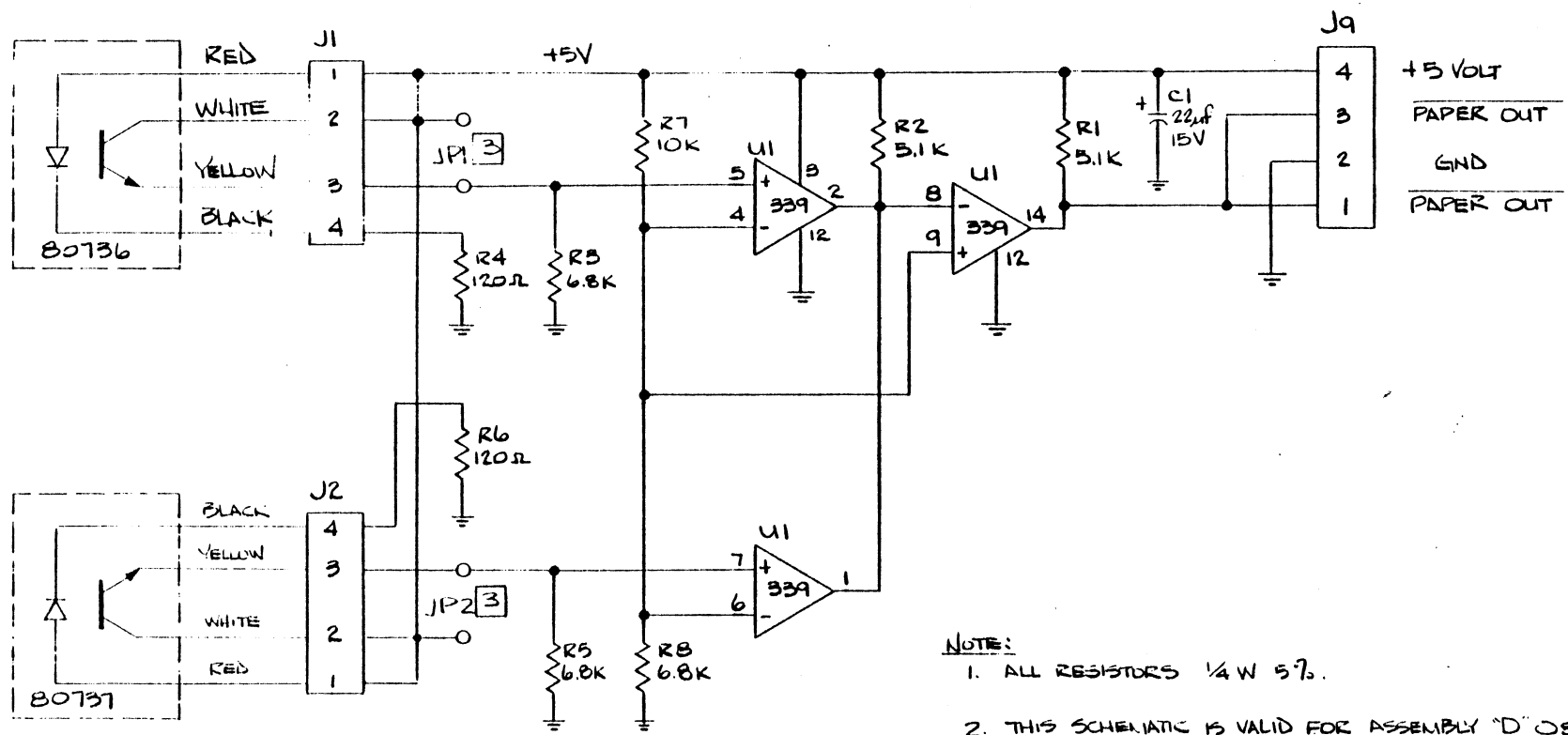


90590 E



- NOTE:
1. ALL RESISTORS 1/4 W 5%.
  2. THIS SCHEMATIC IS VALID FOR ASSEMBLY "D" 0345

3	CRSH No.	JP1	JP2
	-01	OPEN	CLOSED
	-02	CLOSED	OPEN
	-03	OPEN	OPEN

J	K	DIMENSIONS ARE IN INCHES UNLESS OTHERWISE SPECIFIED TOLERANCES ARE LINEAR : XX ± XXX ±	DRAWN DAN FONG	DATE 7-77	<b>Qume</b>
G	H		CHECKED <i>[Signature]</i>	7/77	
E	0345	MATERIAL	ENGR. 7-77	7-77	SCHMATIC
C	0487 0502	D	MFG <i>[Signature]</i>		PAPER OUT - PCB
A	0443	B	HEAT TREAT		SCALE <i>[Signature]</i>
REVISIONS		FINISH	PROPRIETARY INFORMATION. UNAUTHORIZED DISCLOSURE OR USE PROHIBITED.		SIZE B
FIRST USED					90590 E