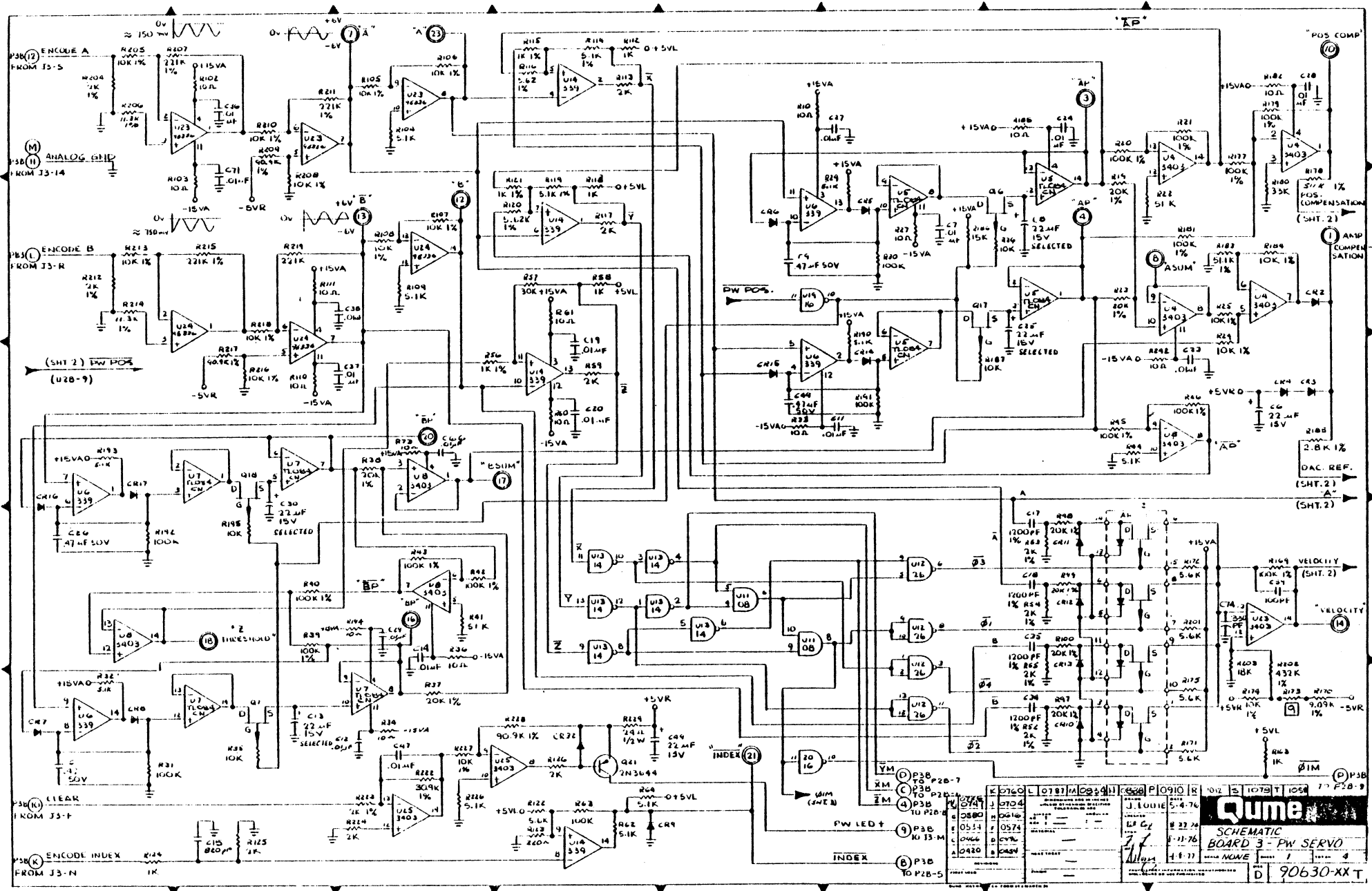


8-14



QTY	DESCRIPTION	MANUFACTURER	DATE
1	U101	QUME	5-4-76
1	U102	J. LOUIE	5-4-76
1	U103	QUME	5-4-76
1	U104	QUME	5-4-76
1	U105	QUME	5-4-76
1	U106	QUME	5-4-76
1	U107	QUME	5-4-76
1	U108	QUME	5-4-76
1	U109	QUME	5-4-76
1	U110	QUME	5-4-76
1	U111	QUME	5-4-76
1	U112	QUME	5-4-76
1	U113	QUME	5-4-76
1	U114	QUME	5-4-76
1	U115	QUME	5-4-76
1	U116	QUME	5-4-76
1	U117	QUME	5-4-76
1	U118	QUME	5-4-76
1	U119	QUME	5-4-76
1	U120	QUME	5-4-76
1	U121	QUME	5-4-76
1	U122	QUME	5-4-76
1	U123	QUME	5-4-76
1	U124	QUME	5-4-76
1	U125	QUME	5-4-76
1	U126	QUME	5-4-76
1	U127	QUME	5-4-76
1	U128	QUME	5-4-76
1	U129	QUME	5-4-76
1	U130	QUME	5-4-76
1	U131	QUME	5-4-76
1	U132	QUME	5-4-76
1	U133	QUME	5-4-76
1	U134	QUME	5-4-76
1	U135	QUME	5-4-76
1	U136	QUME	5-4-76
1	U137	QUME	5-4-76
1	U138	QUME	5-4-76
1	U139	QUME	5-4-76
1	U140	QUME	5-4-76
1	U141	QUME	5-4-76
1	U142	QUME	5-4-76
1	U143	QUME	5-4-76
1	U144	QUME	5-4-76
1	U145	QUME	5-4-76
1	U146	QUME	5-4-76
1	U147	QUME	5-4-76
1	U148	QUME	5-4-76
1	U149	QUME	5-4-76
1	U150	QUME	5-4-76

**Qume**  
 SCHEMATIC BOARD 3 - PW SERVO  
 DATE: 1-11-76  
 DRAWN: NOME  
 CHECKED: J. LOUIE  
 APPROVED: J. LOUIE  
 PART NO: 90630-XX T