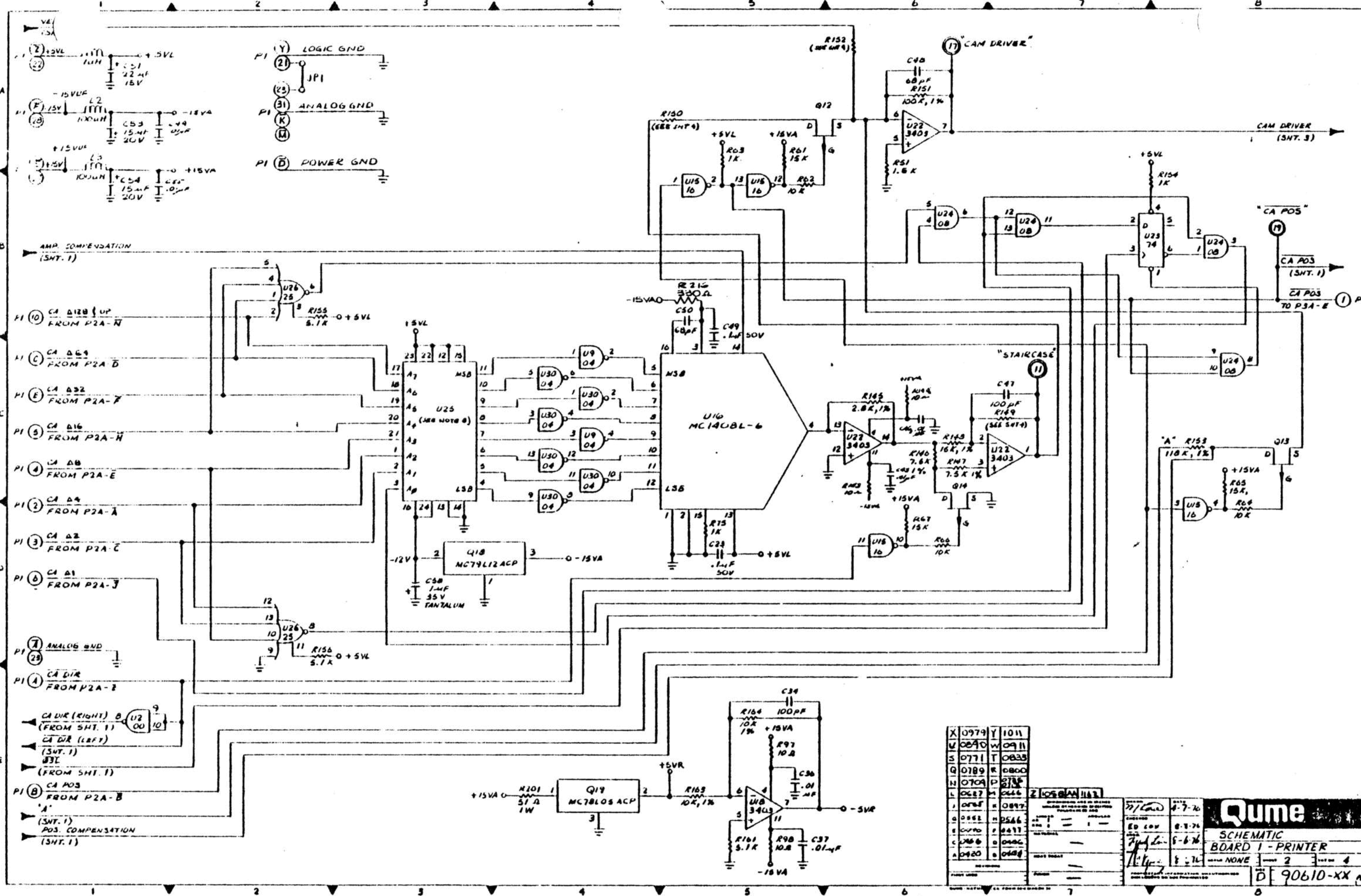


8-5



X	0979	Y	1011
V	0890	W	0911
S	0771	T	0833
Q	0789	R	0800
N	0709	P	0733
L	0627	M	0666
J	0547	K	0597
I	0461	H	0516
G	0370	F	0431
E	0286	D	0346
A	0200	C	0260

REV	5/1/76	DATE	4-7-76
ENGR	Ed cov	DATE	8-7-76
CHKD	Ed cov	DATE	5-6-76
APP'D	Ed cov	DATE	8-7-76
DATE		DATE	
BY		DATE	
CHKD		DATE	
APP'D		DATE	

Qume

SCHEMATIC BOARD 1 - PRINTER

REV 2

90610-XX