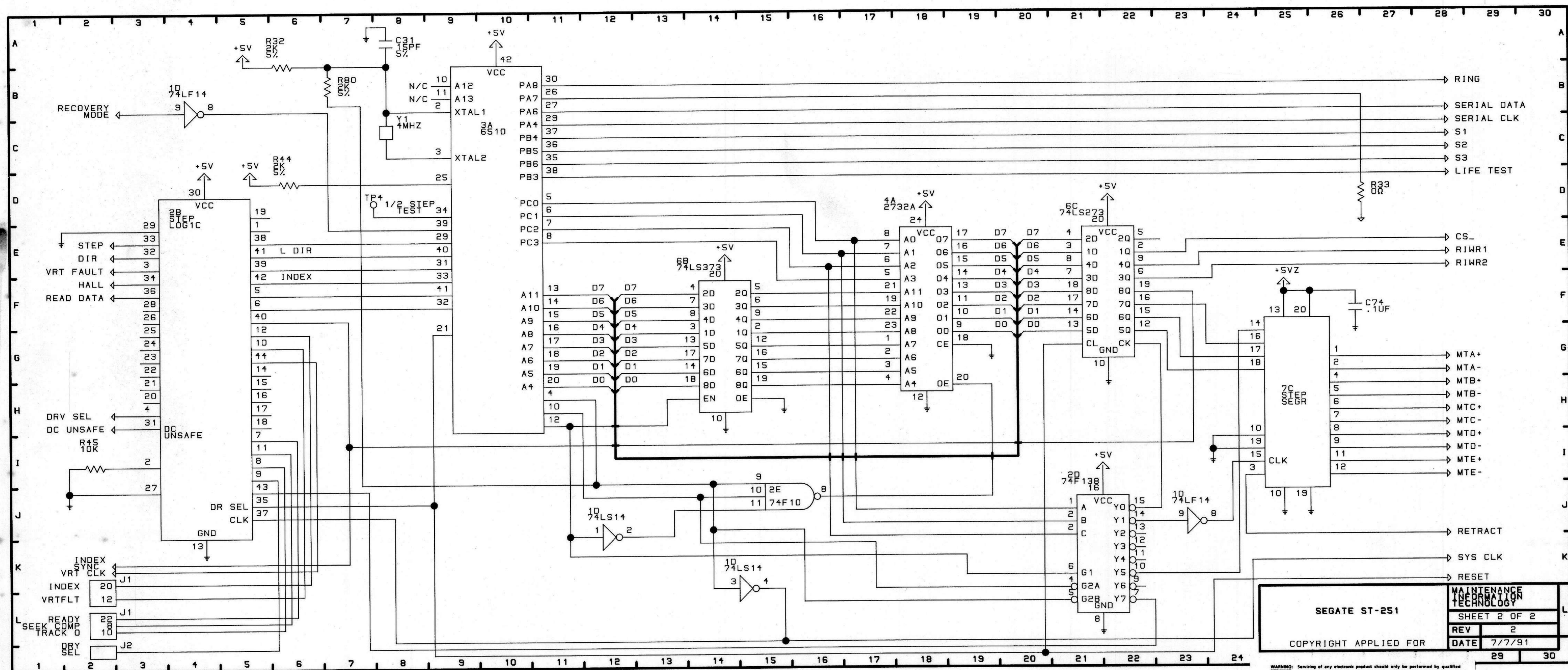


WARNING: Servicing of any electronic product should only be performed by qualified personnel. This warning and information has been Copyrighted by the company name. It cannot be used for any other purpose without the written permission of the company. No part of this document may be reproduced or transmitted in any form or by any means electronic, mechanical, photocopying, recording, or by any information storage and retrieval system, without the prior written permission of the company. The company assumes no responsibility for any errors or omissions in this document. The company reserves the right to change specifications without notice.

NOTE: Schematics are not returnable.

SEGATE ST-251				MAINTENANCE TECHNOLOGY	
COPYRIGHT APPLIED FOR				SHEET 1 OF 2	
				REV 2	
				DATE 7/7/91	
35	36	37	38	39	40



SEGATE ST-251		MAINTENANCE INFORMATION TECHNOLOGY	
COPYRIGHT APPLIED FOR		REV	2
		DATE	7/7/91
		29	30

WARNING: Servicing of any electronic product should only be performed by qualified personnel. This drawing and information has been Copyrighted by the company listed. Its consent has been said for the unlimited use to you. The only restriction is that it not be copied for reproduction or distribution outside your company. No patent liability is assumed with respect to the use of information contained herein. Maintenance Information Technologies believes the information herein to be correct. We are not responsible for any typographical errors; no direct or implied warranty is made to its accuracy. Specifications subject to change without notice.

TRADEMARKS: All logos are registered trademarks of the companies that they represent.

NOTE: Schematics are non returnable.