

REVISIONS					REVISIONS						
REV	DESCRIPTION	DATE	DR	CHK	APPR	REV	DESCRIPTION	DATE	DR	CHK	APPR
F	ECN 12220					A	ERN 9 UH PRE-PROD RELEASE				
G	ECN 12744					F	ECN 10381				
H	ECN 13231					C	ERN 10 AK PROD RELEASE				
J	ECN 13437					D	ECN 10957				
						E	ECN 11492				
							ECN 11894				

TABLE I ①

PART NO.	REFERENCE DESIGNATION
100-1015	R32, 34, 31
100-1025	R22, 38, 62, 66, 78, 89, 3
100-1035	R7, 67, 93, 95
100-1045	R94, 96
100-1055	R99
100-1515	R53, 60, 70, 72, 80, 81, 84, 87
100-1525	R14, 19
100-2215	R29, 37, 51, 52
100-2225	R57, 61, 82, 85, 92, 2, 102, 103
100-2235	R30, 74, 77
100-2835	R13
100-2725	R17
100-2735	R40, 97
100-4705	R68
100-4715	R55, 86
100-4725	R11, 18
100-4735	R8
100-6815	R88, 90
100-6825	R64, 65, 71, 75
100-5625	R20
100-8225	R24
101-1015	R98
101-1215	R100
101-1525	R73
101-1825	R76, 79
101-3305	R 101
103-1015	R1, 6
104-8250	R5
104-1621	R69
104-2871	R54
104-4221	R4
104-6811	R59
104-2152	R35
120-0001	U3
120-2020	R63
120-2030	R42
130-1015	C6, 9
130-3315	C19
130-4705	C31
130-4715	C30
130-7515	C27
131-1030	C34
131-1520	C3, 42

TABLE I ①

PART NO.	REFERENCE DESIGNATION
139-1020	C12, 21, 24
139-1055	C8, 10, 11, 33
139-2244	C1, 4, 7, 13, 17, 20, 25, 29, 38, 39, 40, 41
139-4751	C2, 26, 32
139-4755	C22, 23, 28
200-1100	Q6, 8, 11, 15
200-4123	Q9, 14
200-4125	Q10, 12, 16, 17, 18, 19, 20
200-5321	Q13
300-4002	CR13, 15, 16, 17
300-4446	CR5, 8, 9, 10, 11, 12, 14, 18, 19, 20, 21
330-0515	VR2
330-0685	VR3
331-1605	VR1
400-0339	U10
400-0555	U13
400-0592	U16, 20
515-1015	L1, 2, 5, 6
515-2405	L3, 4
700-7406	U19, 25
700-7407	U24
700-7450	U26
700-8020	U12
710-4107	U21, 23
710-4112	U7
710-4221	U17, 18
710-7400	U22
710-7402	U1, 9, 15
710-7404	U6, 14
710-7414	U8

TABLE II ②

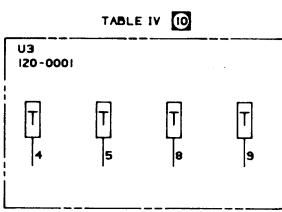
ASSEMBLY 600281 VERSION NO.	VERSION CHARACTERISTICS	R9, R10, R12, R15, R16, R21, R23, R25, R26, R27, R31, R33, R36, R39, R43, R44, R45, R46, R48, R50, R83, C5, C14, C15, C18, C35, C36, C37, Q1, Q2, Q5, CR3, CR4, U11, L7, CR6	R41, R49, R56, R58, C16, Q7	R47	W1	W2	W3	W4	W5	W6	W7	
-01	DC, SINGLE DENSITY	USE	OMIT	IK	100-1025	OMIT	OMIT	USE	OMIT	OMIT	USE	OMIT
-02	DC, DOUBLE DENSITY	USE	USE	2.2K	100-2225	OMIT	OMIT	USE	OMIT	OMIT	USE	OMIT
-03	AC, SINGLE DENSITY	OMIT	OMIT	IK	100-1025	OMIT	OMIT	USE	OMIT	OMIT	USE	USE
-04	AC, DOUBLE DENSITY	OMIT	USE	2.2K	100-2225	OMIT	OMIT	USE	OMIT	OMIT	USE	USE

TABLE III ③

PART NO.	REFERENCE DESIGNATION
100-1046	R36
100-1055	R25
100-1515	R48, 83
100-1525	R16, 12
100-1815	R45
100-2225	R49
100-1035	R27
100-2245	R9
100-2745	R39, 56
100-4705	R33
100-4715	R26, 31
100-4725	R10, 43, 58, 15
100-4745	R41
100-8225	R21
101-0125	R44
101-1825	R23
104-2372	R46
121-5020	R50
130-5615	C16

TABLE III ③

PART NO.	REFERENCE DESIGNATION
131-1030	C35
135-4731	C15, 36
139-1020	C18
139-1055	C5
139-1045	C14
139-4762	C37
200-3200	Q1
200-4123	Q2, 5
204-3993	Q7
300-4446	CR3, 4, 6
400-2741	U11
515-1505	L7



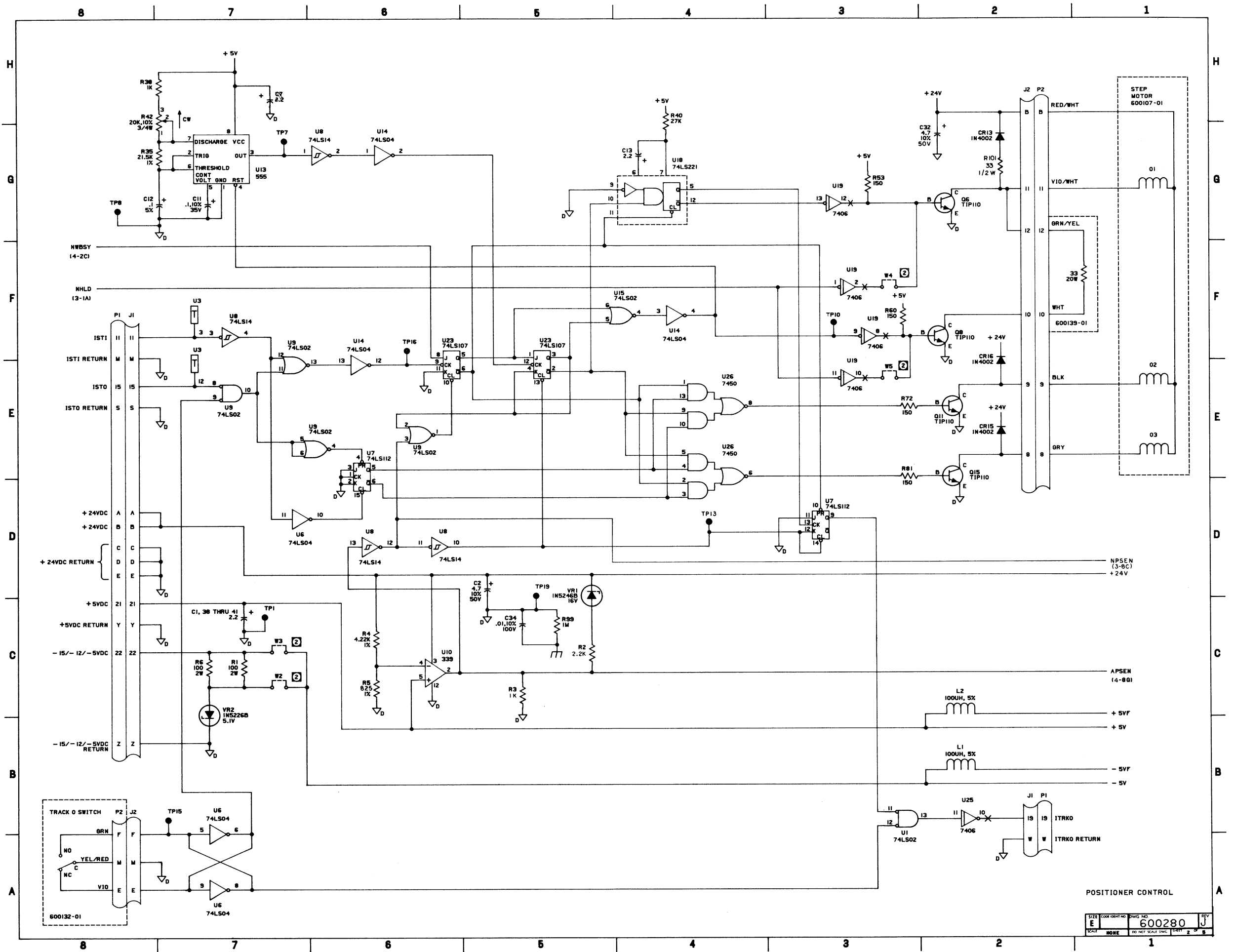
REFERENCE DESIGNATIONS

LAST USED	NOT USED	DELETED
C42		
CR21	CR1, 2, 7	
L7		
Q20	Q3, 4	
R103	R28	
TP21		
U26	U2, 4, 5	
VR4		VR4
W7		

- ⑩ COMPONENT REQUIRES HEATSINK.
- 12. LOGIC GROUND IS DENOTED BY A ∇_D SYMBOL.
ANALOG GROUND IS DENOTED BY A ∇_A SYMBOL.
- 11. SIGNALS ARE CROSS-REFERENCED BETWEEN SHEETS AND WITHIN A SHEET BY NUMBERS APPEARING UNDER THE ASSOCIATED LOGIC TERM MNEMONIC. THE FIRST NO. IS THE SHEET NO. AND THE SECOND NO. IS THE ZONE NO.
- ⑩ FOR SPARE LOGIC ELEMENTS SEE TABLE IV.
- 9. PIN 7 OF 14 PIN I.C.'S IS LOGIC GND.
PIN 14 OF 14 PIN I.C.'S IS +5V.
PIN 4 OF 741 IS -5V.
PIN 7 OF 741 IS +24V.
PIN 8 OF 16 PIN I.C.'S IS LOGIC GND.
PIN 16 OF 16 PIN I.C.'S IS +5V.
PIN 12 OF 339 IS LOGIC GND.
PIN 13 OF 339 IS +24V.
- 8. DIODES ARE IN4446.
- 7. PNP TRANSISTORS ARE 2N4125.
- 6. NPN TRANSISTORS ARE 2N4123.
- 5. CAPACITOR VALUES ARE IN MICROFARADS, 20X, 20V.
- 4. RESISTOR VALUES ARE IN OHMS 5X, 1/4W.
- ③ FOR PART NO. SEE TABLE III.
- ② FOR VALUE, PART NUMBER AND USAGE OF COMPONENTS AFFECTED BY VERSION NUMBER SEE TABLE II.
- ① FOR PART NUMBER OF COMPONENTS NOT AFFECTED BY VERSION NUMBER SEE TABLE I.

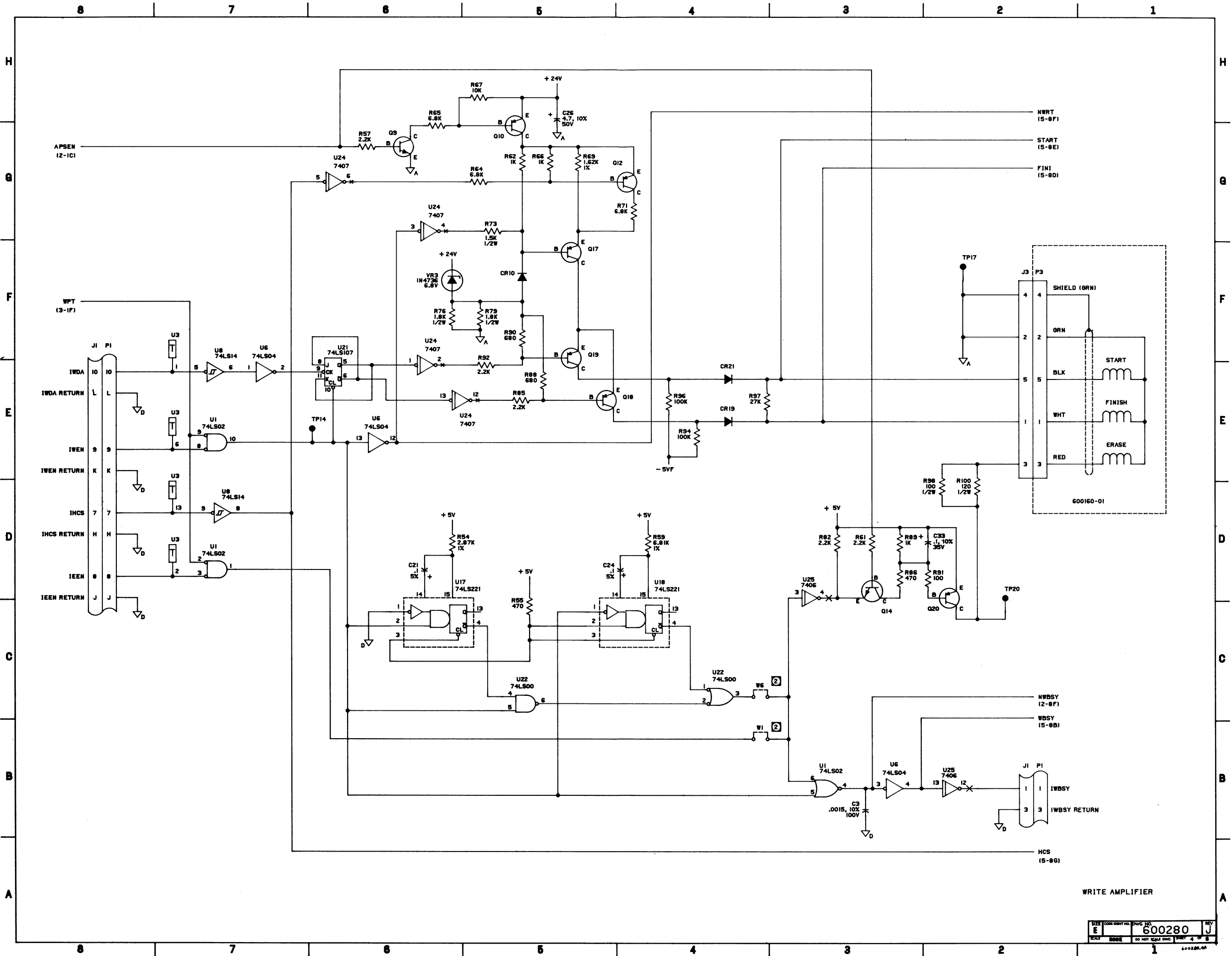
ASSEMBLY NO. 600281
SPECIFICATION NO. 600284
REFERENCE DRAWINGS

<small>The information herein is the property of PERTEC CORPORATION. Its use is restricted to the specific application for which it was prepared. It is not to be distributed, copied, or reproduced in any form without the written consent of PERTEC CORPORATION.</small>		SIGNATURES DR: <i>[Signature]</i> CHK: <i>[Signature]</i> DES: <i>[Signature]</i> ENGR: <i>[Signature]</i> PROJ. ENGR: <i>[Signature]</i>		DATE 11/77			
DIMENSIONS ARE IN INCHES TOLERANCES: XXX .2 ANGULAR ± 1/2° BREAK-ALL SHARP CORNERS APPROX .010		PERTEC PERIPHERAL EQUIPMENT DIVISION TITLE SCHEMATIC, FD CONTROL D					
NEXT ASSY APPLICATION	AT USED ON	FINISH:	MATL:	SIZE E	CORR IDENT NO NONE	DWG NO 600280	REV J
				DO NOT SCALE DWG		SHEET 1 OF 5	



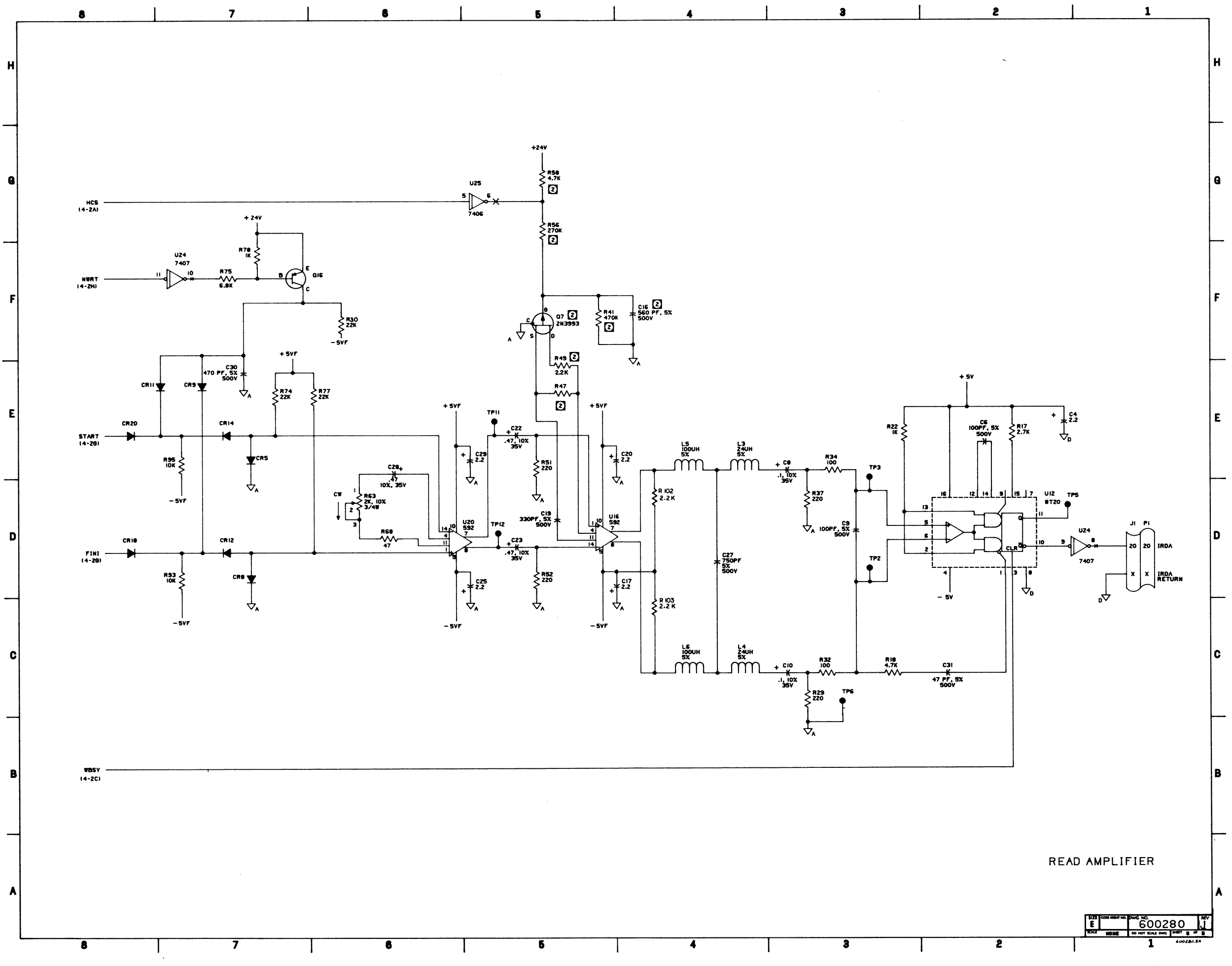
POSITIONER CONTROL

SIZE	CODE IDENT NO	DWG NO	REV
E		600280	J
SCALE	NONE	DO NOT SCALE DWG	2 OF 2



WRITE AMPLIFIER

REV	DATE	BY	CHKD	APP'D	600280	REV
E						J
SCALE	MINOR	DO NOT SCALE DIMS	SHEET	4	8	



READ AMPLIFIER

SIZE	CONT. IDENT. NO.	DRWG. NO.	REV.
E		600280	J
SCALE	UNLESS	DO NOT SCALE DIMS.	SHEET 5 OF 5