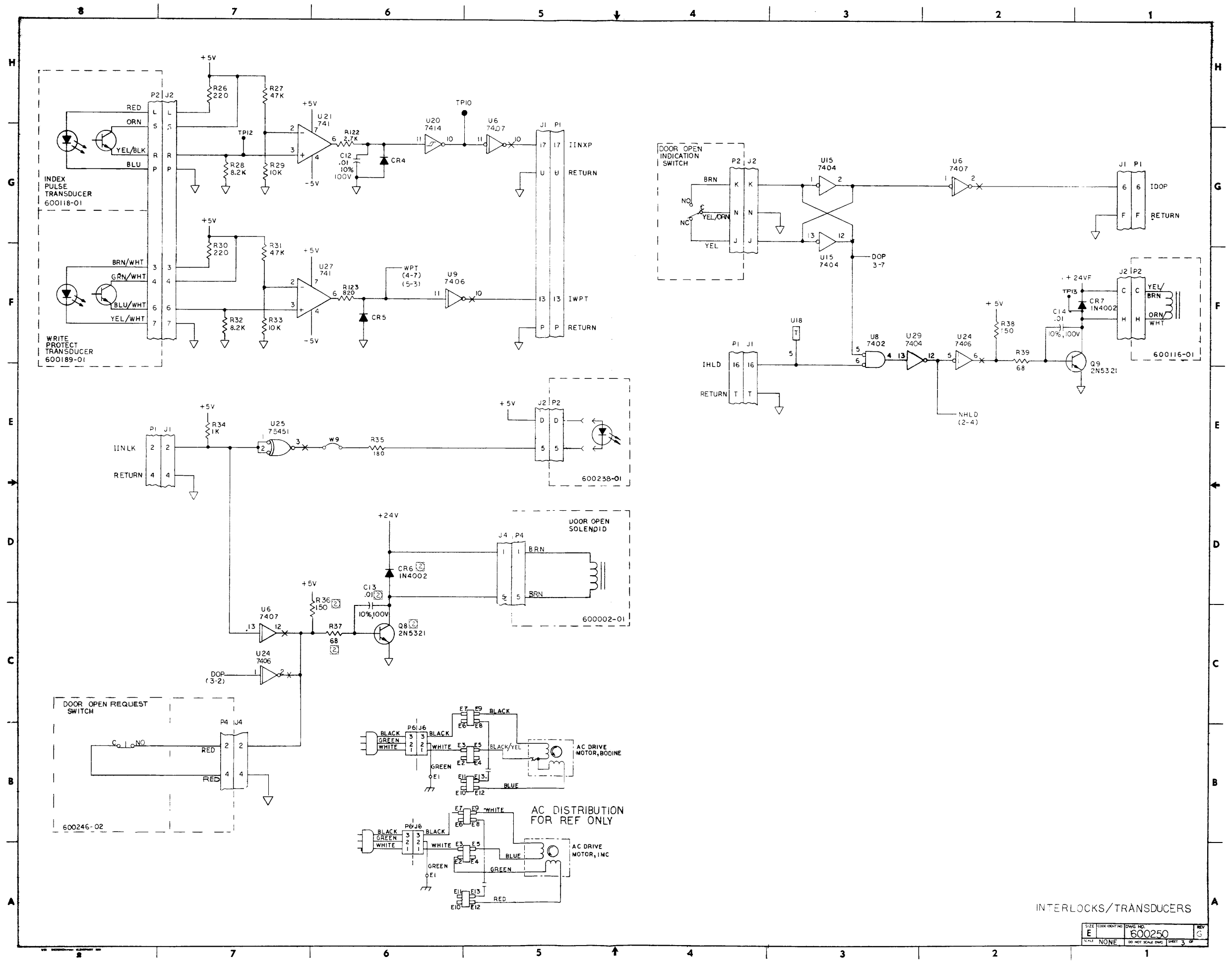


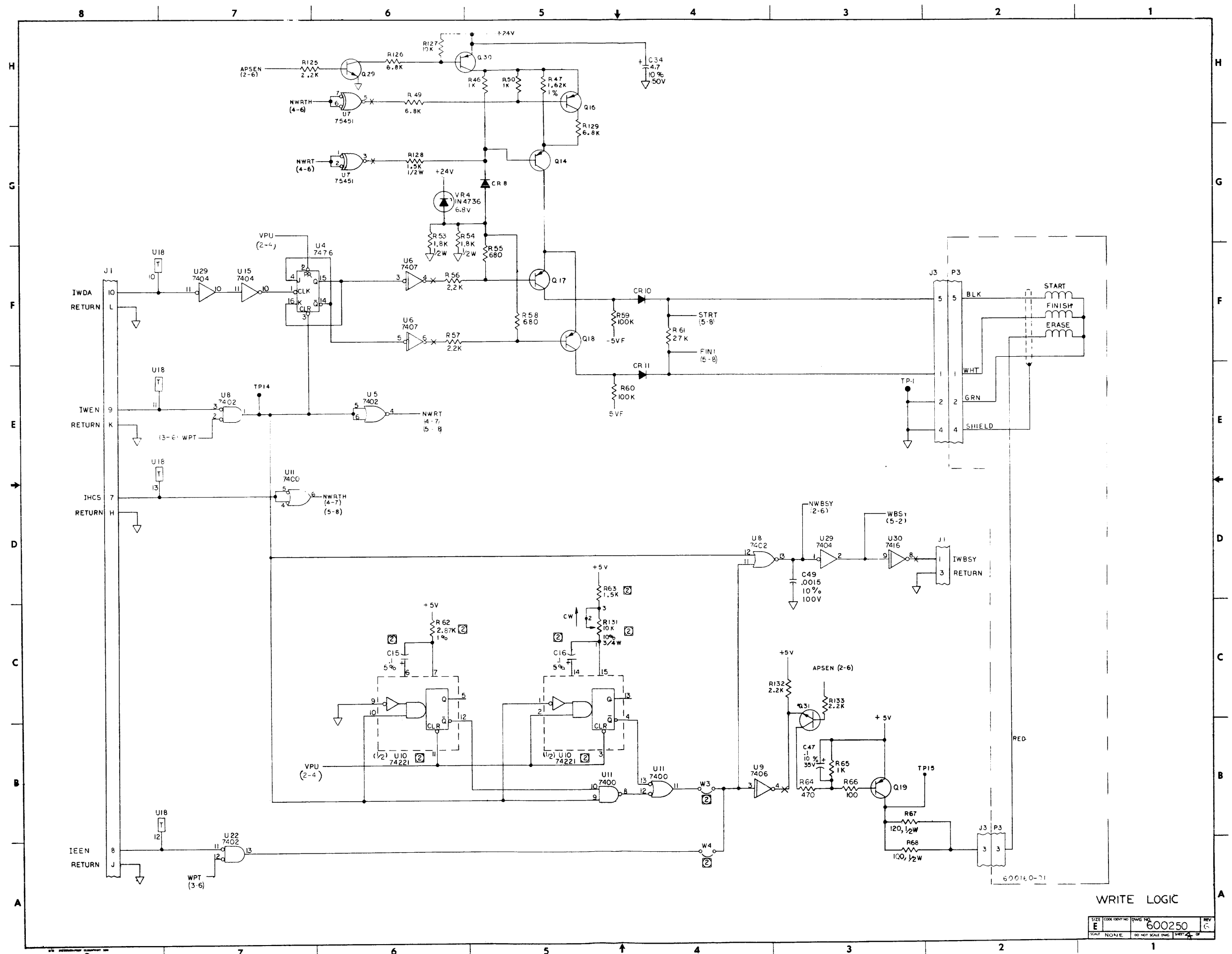
HE AP POSITIONER LOGIC/DRIVE

SIZE	COORDINATING	DWG NO.	REV
E		600250	1
DO NOT SCALE DWG			



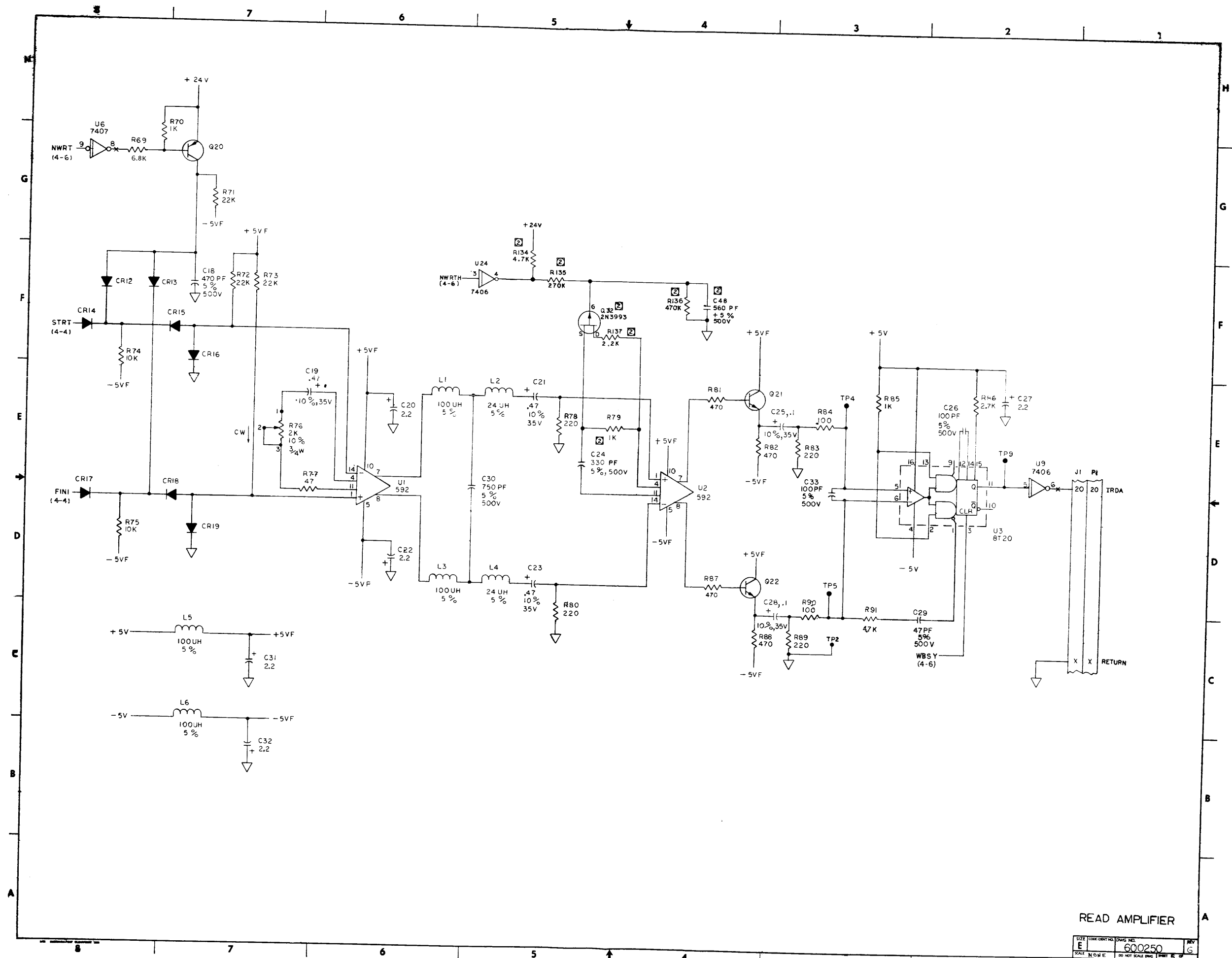
INTERLOCKS/TRANSDUCERS

SIZE	COORDINATING DWG NO.	DWG NO.	REV
E		600250	G
SCALE	NONE		SHEET 3 OF 3



WRITE LOGIC

SIZE	600250	REV
SCALE	100%	DATE



READ AMPLIFIER

SIZE	CODE	DATE	DRWG. NO.	REV.
E			600250	1
SCALE	N.O.S.I.E.	DO NOT SCALE DIMS.	PAGE 5	