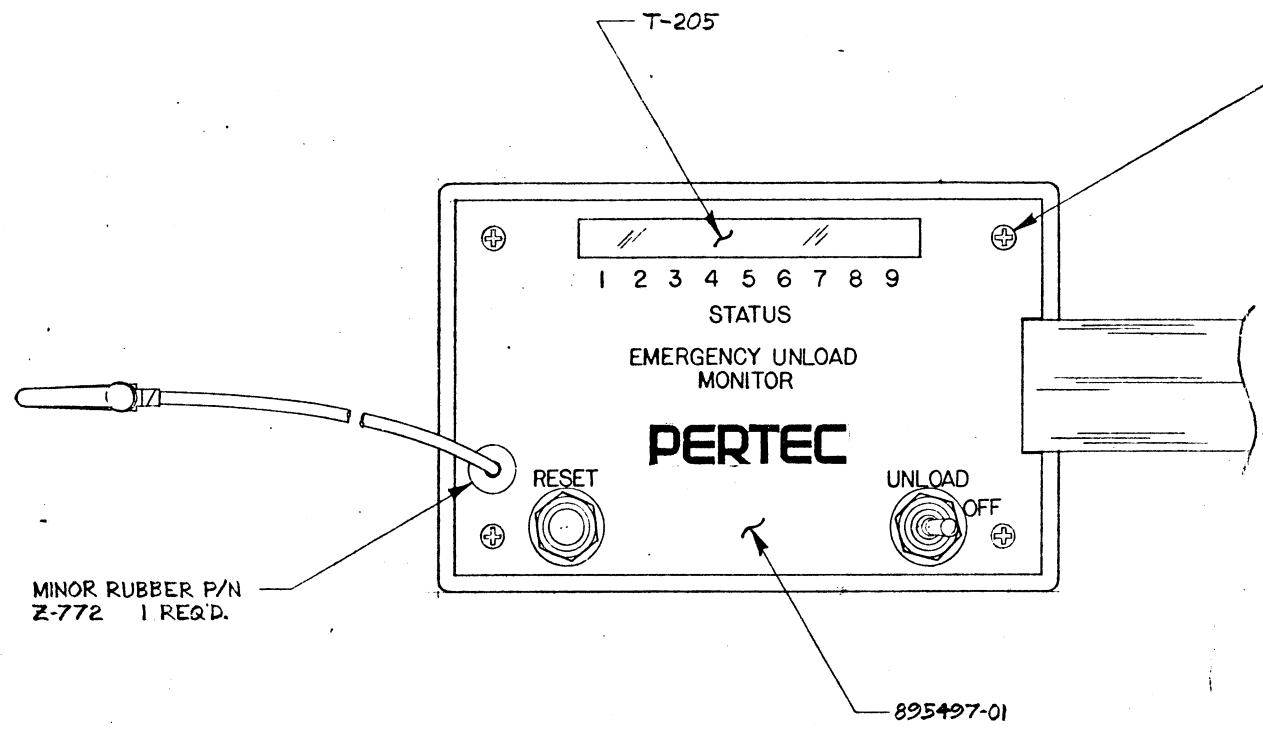
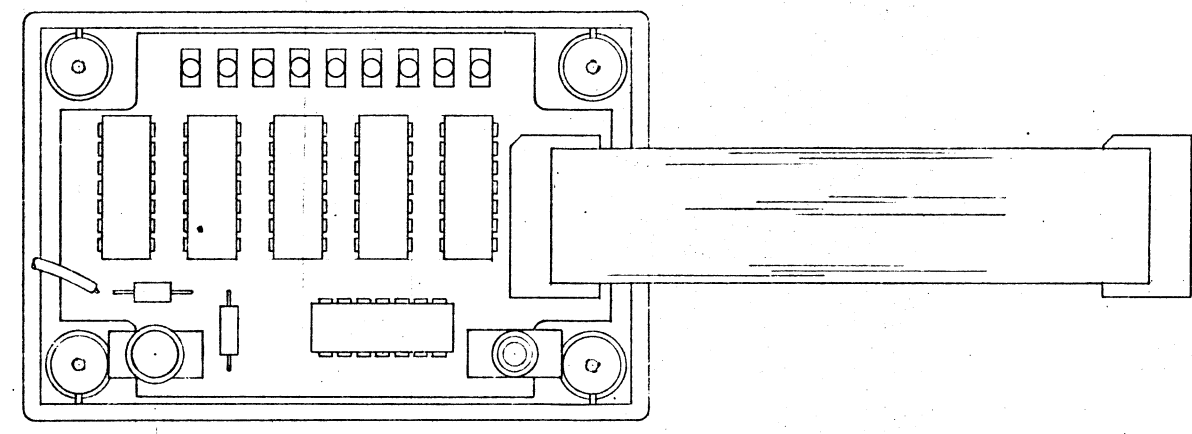


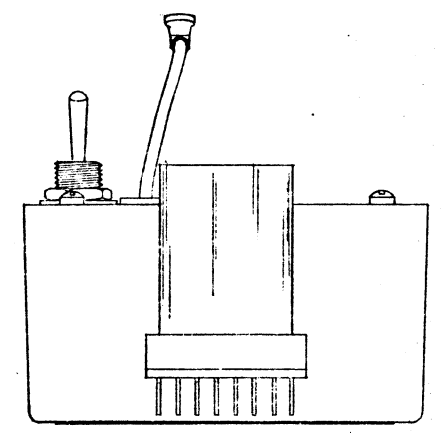
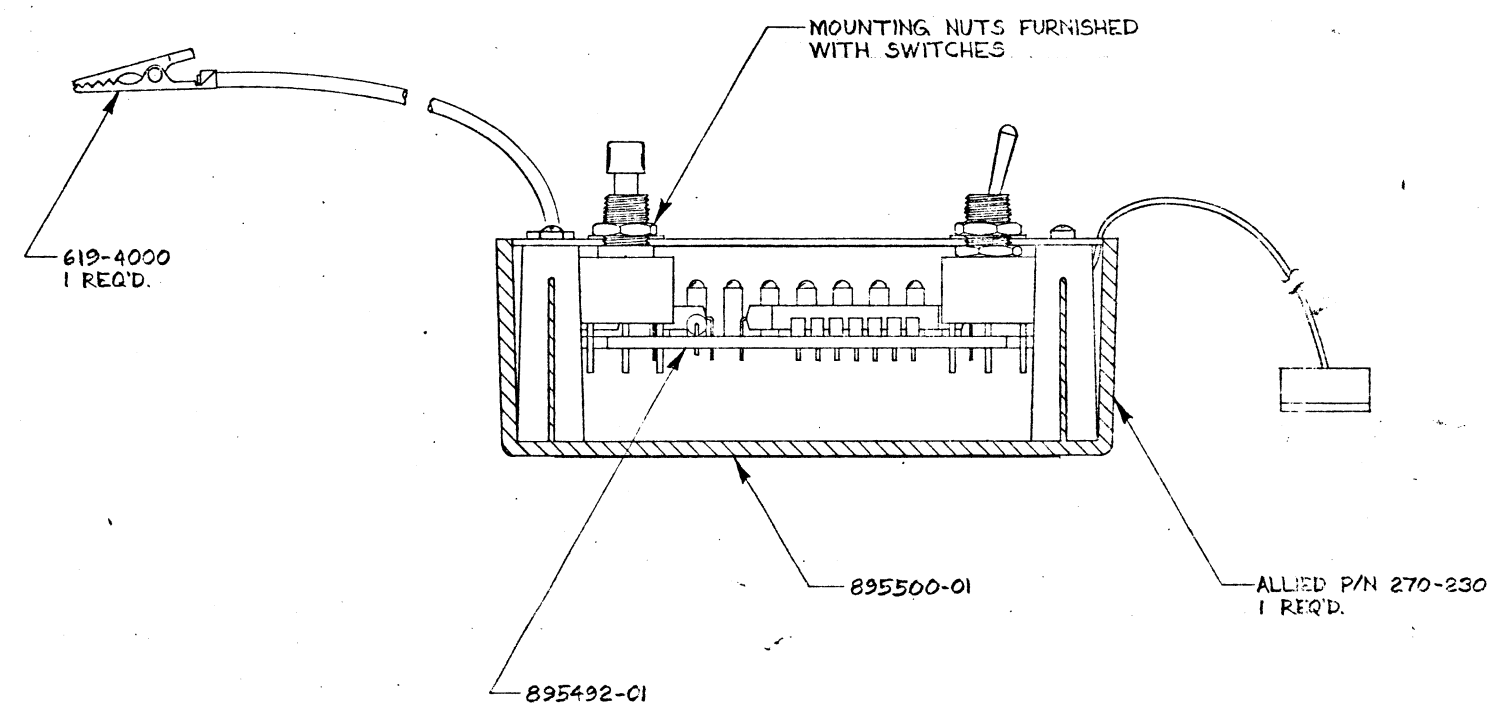
| REVISIONS |                                 |         |    |     |      |
|-----------|---------------------------------|---------|----|-----|------|
| REV       | DESCRIPTION                     | DATE    | DR | CHK | APPR |
| A         | ERN 9-AV TEST EQUIPMENT RELEASE | 2-28-79 | PH |     | PH   |



MOUNTING SCREWS FURNISHED WITH CHASSIS BOX



TOP VIEW WITH FRONT PANEL REMOVED



APR 25 1979

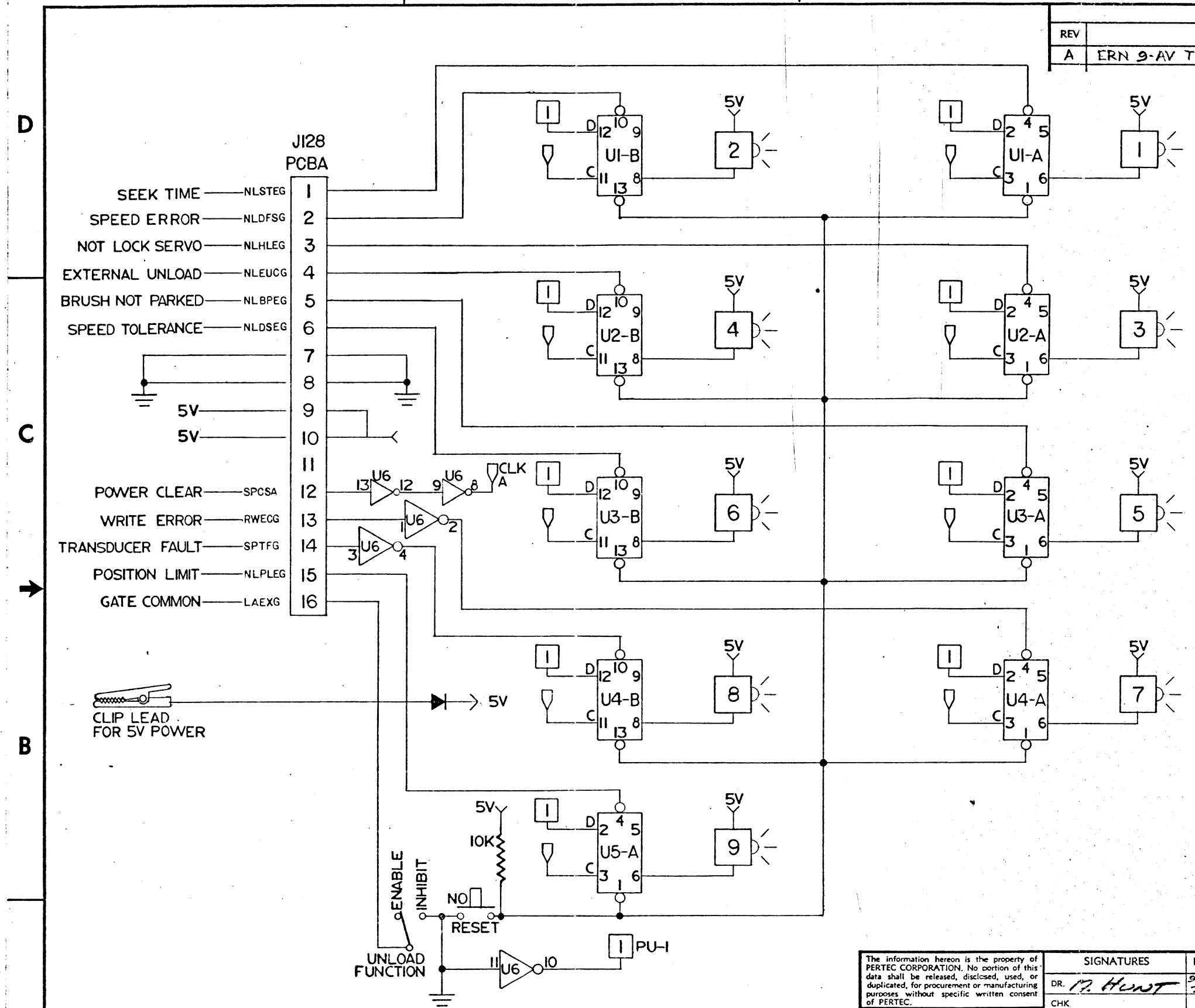
NOTES: UNLESS OTHERWISE SPECIFIED

|             |             |
|-------------|-------------|
| NEXT ASSY   | 1ST USED ON |
| APPLICATION |             |

| QTY. REQ'D.   | PART NO.       | DESCRIPTION | MATERIAL | REF. DES.                   | ITEM NO.              |
|---|----------------|-------------|----------|-----------------------------|-----------------------|
| LIST OF MATERIAL  |                |             |          |                             |                       |
| The information herein is the property of PERTEC CORPORATION. No portion of this data shall be retransmitted, disclosed, used, or duplicated, for procurement or manufacturing purposes without specific written consent of PERTEC. |                | SIGNATURES  | DATE     | PERTEC PERIPHERAL EQUIPMENT |                       |
| UNLESS OTHERWISE SPECIFIED  |                | DR. P. HUNT | 2-27-79  | TITLE                       |                       |
| DIMENSIONS ARE IN INCHES  |                | CHK         |          | EMER. UNLOAD MONITOR        |                       |
| TOLERANCES:   |                | DES         |          | SCALE 2/1                   |                       |
| XX = .03  | ANGULAR = 1/2° | ENGR        |          | SIZE D                      | CODE IDENT NO. 295490 |
| XXX = .010  |                | PROJ. ENGR  |          | DWG NO. 295490              | REV. Δ                |
| BREAK ALL SHARP CORNERS APPROX. .010  |                |             |          | DO NOT SCALE DWG            | SHEET 1 OF 1          |
| FINISH:   |                | MATL:       |          |                             |                       |

8 7 6 5 4 3 2 1

| REVISIONS |                                 |         |    |     |          |
|-----------|---------------------------------|---------|----|-----|----------|
| REV       | DESCRIPTION                     | DATE    | DR | CHK | APPR     |
| A         | ERN 9-AV TEST EQUIPMENT RELEASE | 9-17-76 | RM |     | H. J. J. |



1. U1,2,3,4,5 ARE SN7474.  
U6 IS SN7404.  
LED'S ARE DIALIGHT 555-3003.

NOTES: UNLESS OTHERWISE SPECIFIED

The information hereon is the property of PERTEC CORPORATION. No portion of this data shall be released, disclosed, used, or duplicated, for procurement or manufacturing purposes without specific written consent of PERTEC.

UNLESS OTHERWISE SPECIFIED  
DIMENSIONS ARE IN INCHES  
TOLERANCES:  
.XX ±  
.XXX ±

ANGULAR  
± 1/2°

BREAK ALL SHARP CORNERS  
APPROX. .010

FINISH:

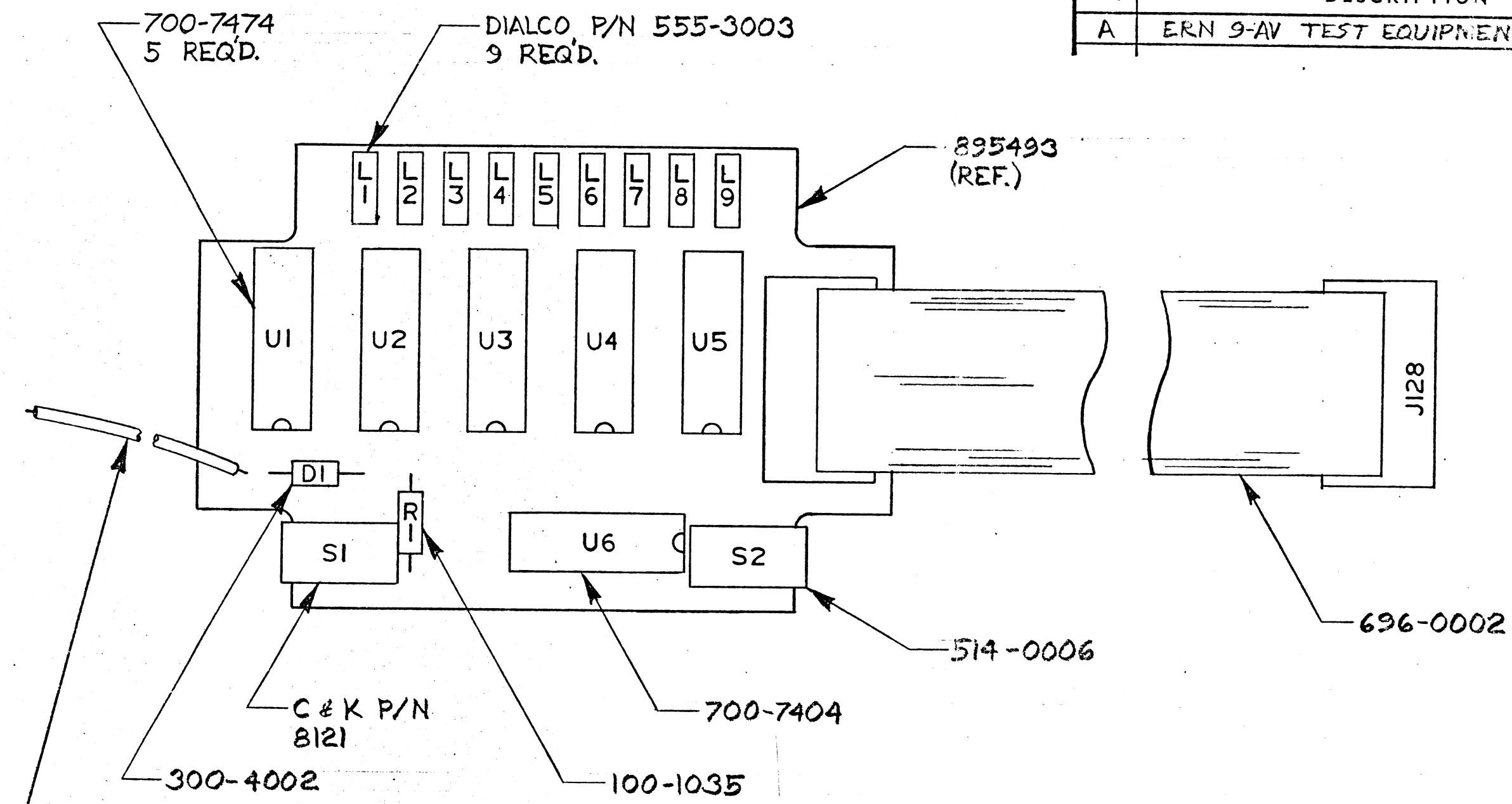
| SIGNATURES |                    | DATE          |
|------------|--------------------|---------------|
| DR.        | <i>M. Hunt</i>     | 9-17-76       |
| CHK        |                    |               |
| DES        |                    |               |
| ENGR       | <i>[Signature]</i> | <i>[Date]</i> |
| PROJ. ENGR | <i>[Signature]</i> | <i>[Date]</i> |
| MATERIAL:  |                    |               |

|   |                  |                               |            |
|---|------------------|-------------------------------|------------|
| <b>PERTEC</b>   |                  | PERIPHERAL EQUIPMENT DIVISION |            |
| TITLE SCHEMATIC,<br>EMERGENCY UNLOAD<br>LOGIC MONITOR |                  |                               |            |
| SIZE  | CODE IDENT NO.   | DWG NO.                       | REV        |
| C   |                  | 895491                        | A          |
| SCALE   | DO NOT SCALE DWG |                               | SHEET   OF |

|             |             |
|-------------|-------------|
| 895490-01   |             |
| NEXT ASSY   | 1ST USED ON |
| APPLICATION |             |

MAY 2 1976

| REVISIONS |                                 |         |      |     |                    |
|-----------|---------------------------------|---------|------|-----|--------------------|
| REV       | DESCRIPTION                     | DATE    | DR   | CHK | APPR               |
| A         | ERN 9-AV TEST EQUIPMENT RELEASE | 9-21-76 | M.H. |     | <i>[Signature]</i> |



APR 25 1976

The information hereon is the property of PERTEC CORPORATION. No portion of this data shall be released, disclosed, used, or duplicated, for procurement or manufacturing purposes without specific written consent of PERTEC.

UNLESS OTHERWISE SPECIFIED  
DIMENSIONS ARE IN INCHES  
TOLERANCES:  
.XX ±                    ANGULAR ± 1/2°  
.XXX ±  
X ±  
X ±  
BREAK ALL SHARP CORNERS APPROX. .010

| SIGNATURES                   | DATE    |
|------------------------------|---------|
| DR. <i>M. Hunt</i>           | 9-21-76 |
| CHK                          |         |
| DES                          |         |
| ENGR <i>[Signature]</i>      | 11/1/76 |
| PROJ. ENGR <i>M. M. Cool</i> | 11/1/76 |

|                                     |  |  |  |
|-------------------------------------|--|--|--|
| <b>PERTEC</b> PERIPHERAL EQUIPMENT  |  |  |  |
| TITLE<br>PCBA D3000<br>EMER. UNLOAD |  |  |  |

|             |             |
|-------------|-------------|
| 895490-01   |             |
| NEXT ASSY   | 1ST USED ON |
| APPLICATION |             |

|         |       |
|---------|-------|
| FINISH: | MATL: |
|---------|-------|

|                  |                  |                   |                 |
|------------------|------------------|-------------------|-----------------|
| SIZE<br><b>B</b> | CODE IDENT NO.   | DWG NO.<br>895492 | REV<br><b>A</b> |
| SCALE<br>2/1     | DO NOT SCALE DWG |                   | SHEET 1 OF 1    |

5

4

3

2

1