

### PERIPHERAL EQUIPMENT DIVISION

<b>TITLE</b> INCREASE ONE/SHOT READ/WRITE MARGINS			PIB NO. DK3037	
PRODUCT LINE:	TAPE DISK FORMATTER <input checked="" type="checkbox"/>	EQUIPMENT CHANGED O/S R/W 103721	MODEL SERIES AFFECTED D3000	EFFECTIVE DATE 5/16/75
<b>CLASS OF BULLETIN:</b> <input checked="" type="checkbox"/> IMPROVEMENT <input type="checkbox"/> RETROFIT ON FAILURE <input type="checkbox"/> RETROFIT RECOMMENDED <input type="checkbox"/> SERVICE INFORMATION ONLY		<b>ORDER PART KIT NO.</b>  N/A	<b>EFFECTIVITY</b> The following One Shot Data Decodes 103721-02A 103721-02B 103721-04A	
<b>PURPOSE:</b> In the event that an abnormal amount of data/clock bit shift be experienced on the I/O interface, intermittent Read Write errors would result. The purpose of this PIB is to minimize the susceptibility of the Read Write PCBA to bit shift. This change will reduce the amount of internal shift in the ONE's and Zero's signals, thereby increasing the R/W margins.				
<b>SYMPTOMS:</b> <ul style="list-style-type: none"><li>● Intermittent Data Errors</li><li>● Intermittent Address Compare Errors</li><li>● Intermittent Verify Errors</li></ul>				
<b>PARTS REQUIRED:</b>				
<u>Qty</u>	<u>PERTEC P/N</u>	<u>Vendor Description</u>		
1	104-9090	/QPL/ RN60D9090F		
2	104-4641	/QPL/ RN60D4641F		
1	100-4325	/QPL/ RC07GF432J		
<b>SPECIAL TOOLS:</b> None				
<b>INSTALLATION PROCEDURE:</b>				
1.0 Remove existing C21				
2.0 Remove existing R107				
3.0 Remove existing R139 and replace it with P/N 104-9090				
4.0 Remove existing R114 and replace it with P/N 104-4641				
5.0 Remove existing R116 and replace it with P/N 104-4641				
6.0 Remove existing R41 and replace it with P/N 100-4325				
<b>ADJUSTMENTS:</b> None required				
<b>TEST PROCEDURE:</b> Ensure drive will execute all R/W diagnostics				
<b>PCBA, DRAWING, AND MANUAL CHANGES:</b>				

Additional Information Be Required - Contact

PERTEC

PERIPHERAL EQUIPMENT DIVISION  
9600 Irondale Avenue, Chatsworth, California 91311  
Phone (213) 882-0030 / TWX (910) 494-2093  
ATTENTION: PRODUCT SUPPORT MANAGER  
PERTEC 20-K012C(1)

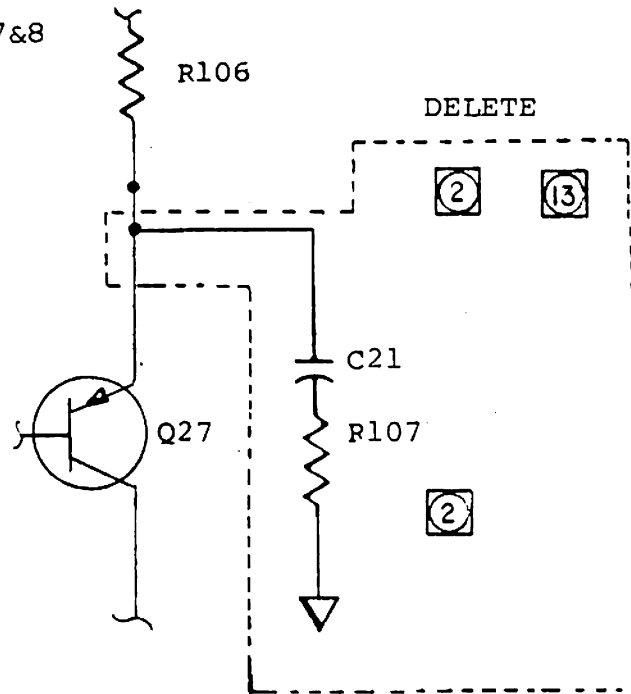
Distribution Code - 6318

TITLE INCREASE ONE/SHOT READ/WRITE MARGINS

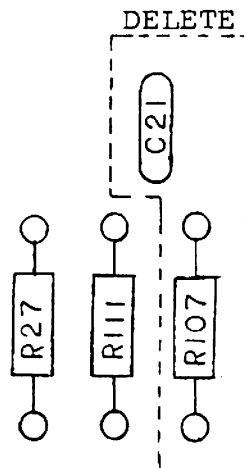
718 NO.  
DK3037

Drawings:

103720  
SHEET 1 ZONE F/7&8



103721  
SHEET 1 ZONE D/7



TITLE INCREASE ONE/SHOT READ/WRITE MARGINS

PIB NO.  
DK3037

103720

Sheet 1, note change

From

13 C3,5,21,24

To

13 C3,5,24

103720

Sheet 2, TABLE II

for -02 and -04

change value and part number

Designator

From

To

R139

1.33K 104-1331

909 104-9090

R114

4.7K 100-4725

4.64K 104-4641

R116

4.7K 100-4725

4.64K 104-4641

R41

3.3K 100-3325

4.3K 100-4325

103720

TABLE II

Delete

C21	
value	part no.
omit	-----
47PF	130-4705
omit	-----
47PF	130-4705

Delete

R107	
value	part no.
omit	-----
39	100-3905
omit	-----
39	100-3905

REVISION LEVELS: Re-identify applicable R/W PCBA's as follows:

From

LM 103721-02A

LM 103721-02B

LM 103721-04A

To

LM 103721-02A & PIB DK3037

LM 103721-02C

LM 103721-04B