

PERIPHERAL EQUIPMENT DIVISION

TITLE TO ELIMINATE SHORTING OF NTRHGC AND NLAU2G ON 200 TPI			PIB NO. DK3035		
PRODUCT LINE:	TAPE DISK FORMATTER	EQUIPMENT CHANGED Logic PCBA 103685	MODEL SERIES AFFECTED D3000	EFFECTIVE DATE 5/16/75	
CLASS OF BULLETIN:		ORDER PART KIT NO.:	EFFECTIVITY		
<input type="checkbox"/> IMPROVEMENT <input type="checkbox"/> RETROFIT ON FAILURE <input checked="" type="checkbox"/> RETROFIT RECOMMENDED <input type="checkbox"/> SERVICE INFORMATION ONLY		N/A	All OPT46 200 TPI Disk Drives prior to S/N 151600202 with part number 901581, 901587, 901588, 901590 & 901597.		
PURPOSE: There is a possibility that some D3000, 200 TPI, DIABLO OPT46 compatible disk drives were shipped with the internal temperature go line and attention line # 2 shorted together. All drives listed in the effectivity block should be checked for this condition. The attached wire list provides the necessary circuitry to make these signals available at the I/O interface.					
SYMPTOMS: <ul style="list-style-type: none"> • Unit number 2 (unit select switch set to 2) does not respond to the controller when issued a seek command. • IAU2D - I/O pin J101-A30 is always at logic ground. 					
PARTS REQUIRED: <ul style="list-style-type: none"> • Approximately 3 feet of jumper wire 30 AWG silver plated copper wire, mylar insulation or equivalent. 					
TOOLS REQUIRED: Soldering iron with 25 to 27 watt tip.					
REWORK INSTRUCTIONS: (Reference logic PCBA print 103705 for IC circuit chip locations)					
1.0 Remove Resistor R902 from Logic PCBA 103685.					
2.0 Remove existing jumper wires from Logic PCBA 103685.					
		<u>From</u>		<u>To</u>	
	2.1	U328-2		U386-1	
	2.2	U386-1		U404-12	
	2.3	U445-10		U386-2	
	2.4	U386-3		R902-B	
	2.5	R902-B		U408-13	
	2.6	U408-12		U404-2	
	2.7	R902-A		U386-8	
	2.8	E7		W1-B	
3.0 Cut etches					
	3.1	U49-12 (cut on flow solder side)			
	3.2	Between U49-12 & U49-13 (flow solder side)			
	3.3	Between U49-11 & feed through (component side)			

Additional Information Be Required — Contact

PERTEC

PERIPHERAL EQUIPMENT DIVISION
 9600 Irondale Avenue, Chatsworth, California 91311
 Phone (213) 882-0030 / TWX (910) 494-2033
 ATTENTION: PRODUCT SUPPORT MANAGER

Distribution Code - 6318

PERIPHERAL EQUIPMENT DIVISION

TITLE TO ELIMINATE SHORTING OF NTRHGC AND NLAU2G ON 200 TPI	PIB NO. DK3035
---	-------------------

4.0 Add jumpers

	<u>From</u>	<u>To</u>	
4.1	U445-10	U49-13	
4.2	U404-12	U49-12	
4.3	U404-2	U49-11	
4.4	U404-12	U328-2	
4.5	U222-13	U222-7	
4.6	U222-12	W2-A	
4.7	U386-1	U386-2	
4.8	E7	U386-1	(Logic PCBA's 103685-02, -04 & -06 only)
4.9	U386-3	J101-A20	(Logic PCBA's 103685-02, -04 & -06 only)
4.10	J101-A20	J102-A20	(Logic PCBA's 103685-02, -04 & -06 only)

ADJUSTMENTS: None required

TEST PROCEDURES:

- a) Ensure Attn line # 2 at J101 & J102 -A30 functions properly.
- b) Ensure internal temperature go line at J101 & J102 -A20 functions properly.

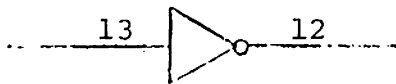
DRAWING CHANGES:

Drawing 103684, Sheet 1, Zone E/15

Delete: U222
700-7404



Add: U408
700-7404



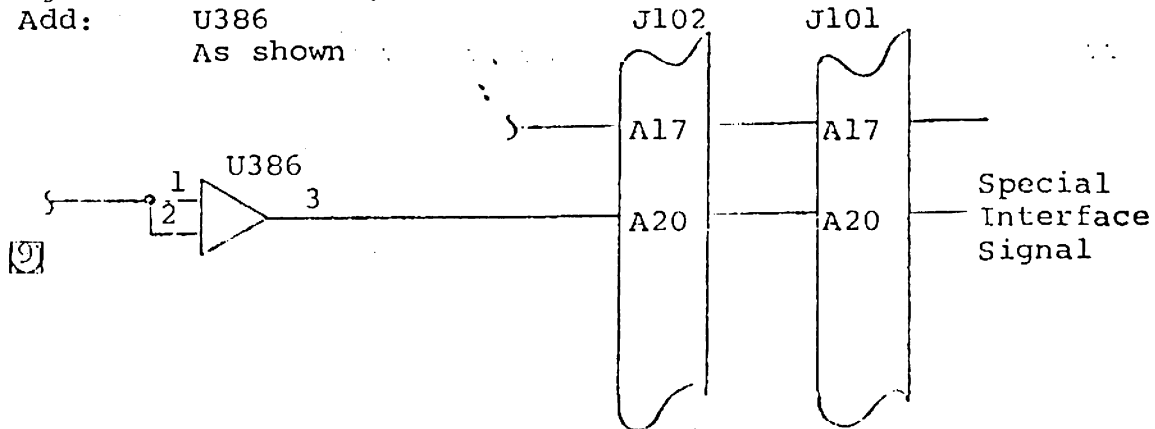
Delete: R902 from TABLE 1 P/N 100-3915.

TITLE TO ELIMINATE SHORTING OF
NTRHGC AND NLAU2G ON 200 TPI

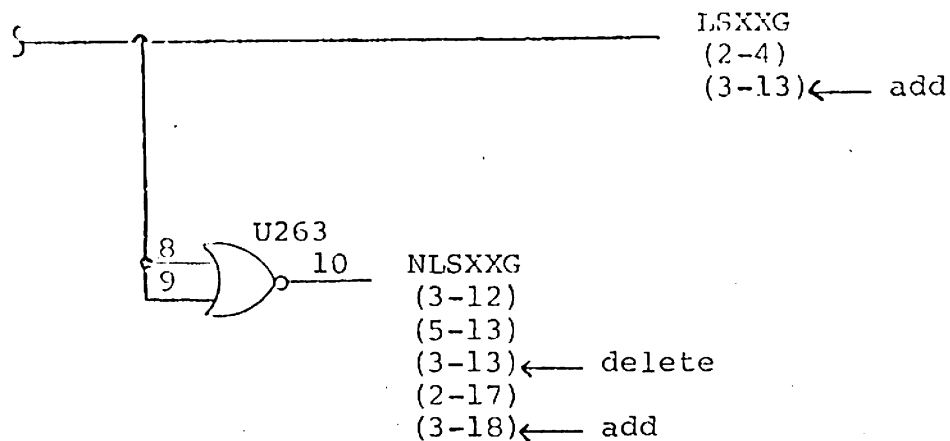
PIB NO.
DK3035

Drawing 103684, Sheet 3, Zone G/11

Add: U386
As shown



Zone 18/D (correction of previous dwg error only)

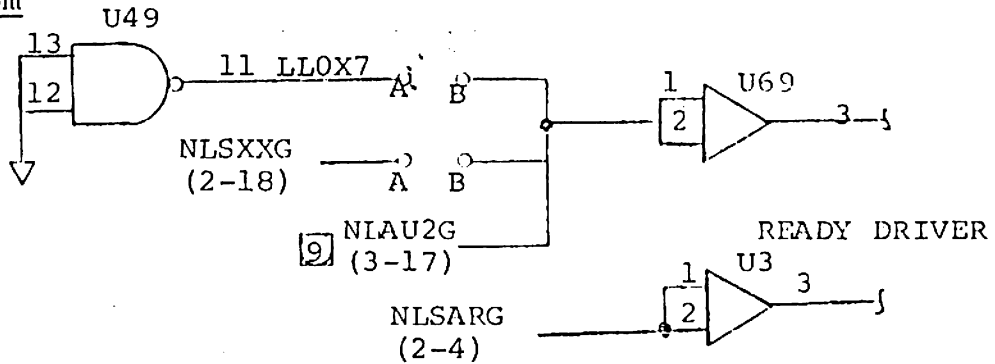


TITLE TO ELIMINATE SHORTING OF
NTRHGC AND NLAU2G ON 200 TPI

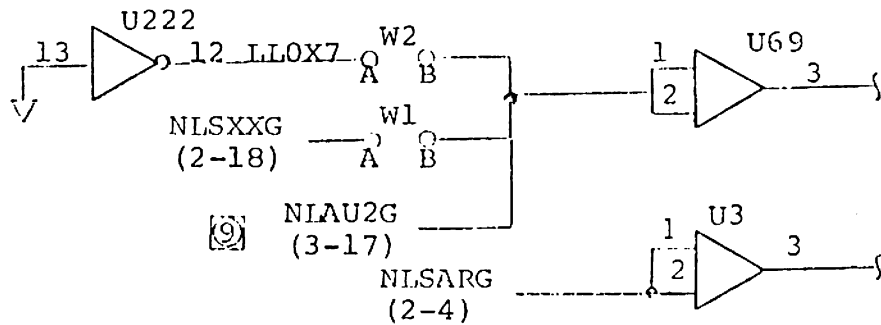
PIB NO.
DK 3035

103684, Sheet 3, Zone B/18, 19

From

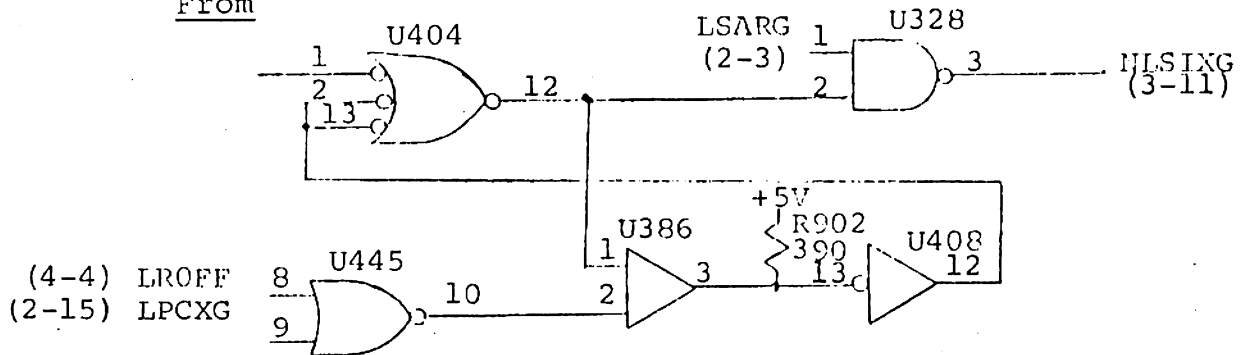


To



103684, Sheet 4, Zone C/6, 7, 8

From



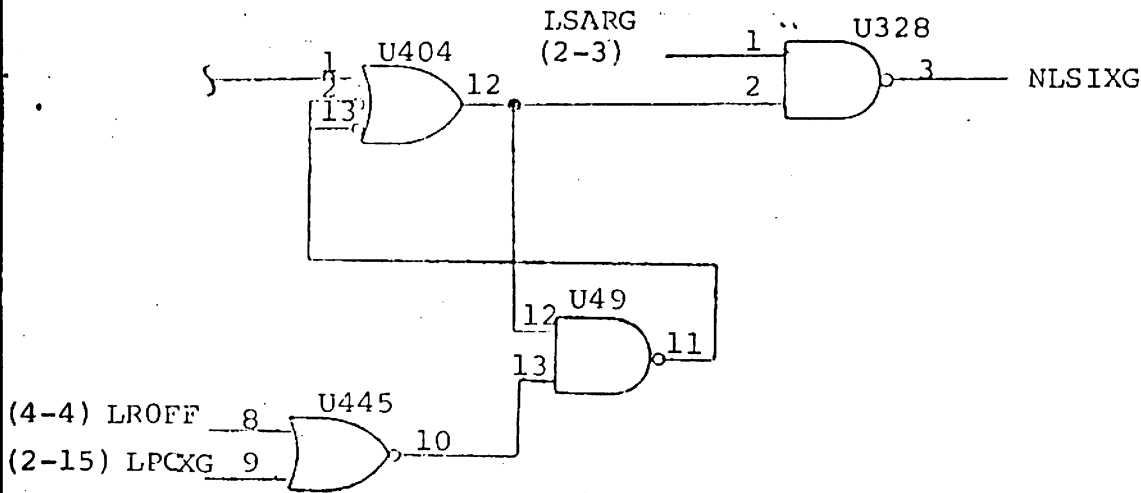
PERIPHERAL EQUIPMENT DIVISION

TITLE TO ELIMINATE SHORTING OF
NTRIGC AND NLAU2G ON 200 TPI

PIB NO.
DK3035

To

Address Error Latch



REVISION LEVELS:

After installation, re-identify PCBA LM # as Revision B.

	<u>From</u>		<u>To</u>
I.E.	LM 103865-XX-A		LM 103865-XX-B