

PERIPHERAL EQUIPMENT DIVISION

TITLE DIFFERENCE BETWEEN GLASS AND MYLAR RETICLES				PIB NO. DK3028	
PRODUCT LINE TAPES DISK FORMATTER II		EQUIPMENT CHANGED		MODEL SERIES AFFECTED D3000	
CLASS OF BULLETIN: <input type="checkbox"/> IMPROVEMENT <input type="checkbox"/> RETROFIT ON FAILURE <input type="checkbox"/> RETROFIT RECOMMENDED <input checked="" type="checkbox"/> SERVICE INFORMATION ONLY		ORDER PART KIT NO. N/A		EFFECTIVITY All D3000 Disk Drives prior to S/N 4XXXXXXX may contain the mylar version. Total phase-in of glass version occurred with all S/N 44 units and on.	

With the phase in of new glass reticle assemblies, there are now two types in the field, Mylar and glass. Due to the difficulty of being unable to readily distinguish between the two when installed, all future glass reticle assemblies, for a short period of time, will be marked as depicted in Figure 1.

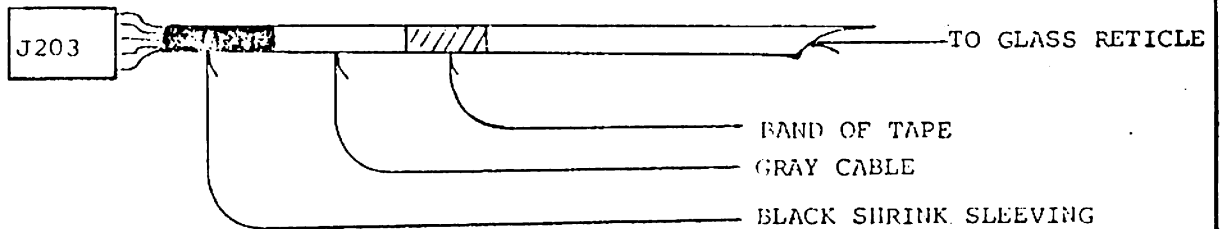
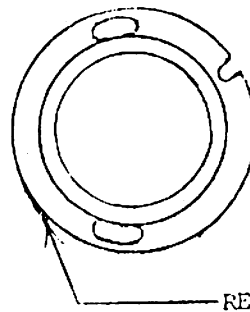
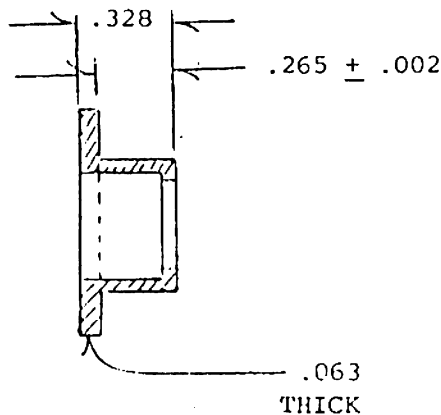


FIGURE 1

For existing units, the only apparent difference is the thickness of the reticle holder rim. (Reference Figures 2 and 3 for details).

Glass = .063

Mylar = .050



.063 Glass Holder Rim

-.050 Mylar Holder Rim

.013 Difference

GLASS RETICLE HOLDER

FIGURE 2

Additional Information Be Required — Contact

PERTEC

PERIPHERAL EQUIPMENT DIVISION
 9600 Irondale Avenue, Chatsworth, California 91311
 Phone (213) 882-0030 / TWX (910) 494-2093
 ATTENTION: PRODUCT SUPPORT MANAGER
 PERTEC 20 K0120(11)

Distribution Code - 6318

TITLE DIFFERENCE BETWEEN GLASS AND MYLAR RETICLES

PIB NO.
DK3028

OBSOLETE

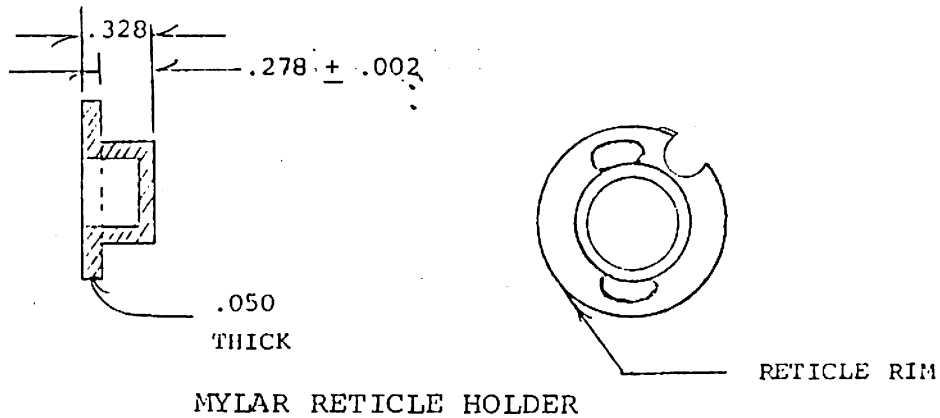


FIGURE 3

* * SERVICE AID * *

A small "GO NO GO" gauge can be made, if desired, from aluminum or plastic utilizing the following specifications. (See Figure 4). Use of this gauge is depicted in Figure 5.

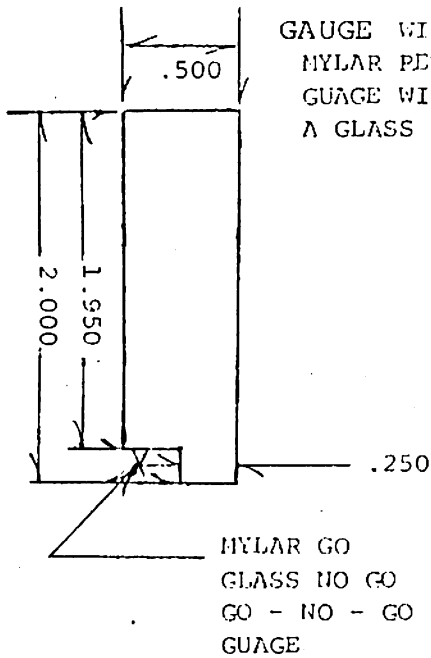


FIGURE 4

GAUGE WILL SLIDE OVER A
MYLAR RETICLE HOLDER RIM
GAUGE WILL NOT SLIDE OVER
A GLASS RETICLE RIM.

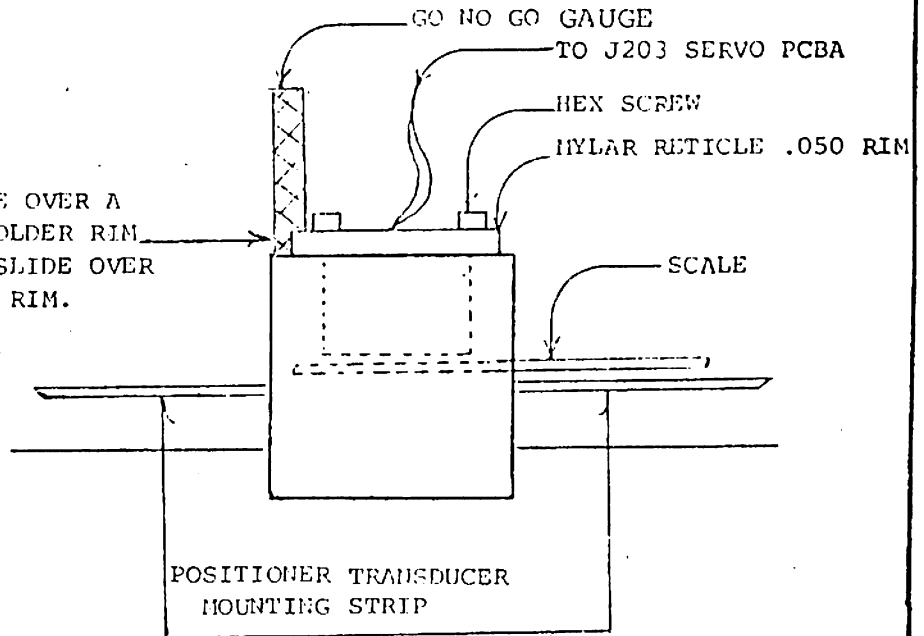


FIGURE 5