

| | | | | | |
|--------------|---------------------|-------------------------------------|--|---------------------------------|---------------------------|
| TITLE | | | + 10 VOLT POWER SUPPLIES | | PIB NO. DK3001A |
| PRODUCT LINE | TAPE DISK FORMATTER | <input checked="" type="checkbox"/> | EQUIPMENT CHANGED SERVO PCBA 102811-XX | MODEL SERIES AFFECTED D-3000 | EFFECTIVE DATE 6-18-74 |

| | | |
|---|--------------------|---|
| CLASS OF BULLETIN: | ORDER PART KIT NO. | EFFECTIVITY |
| <input checked="" type="checkbox"/> IMPROVEMENT <input type="checkbox"/> RETROFIT ON FAILURE <input type="checkbox"/> RETROFIT RECOMMENDED <input type="checkbox"/> INFORMATION ONLY <input type="checkbox"/> _____ | N/A | ALL D3000 DISK DRIVES SHIPPED PRIOR TO MARCH 1974 (i.e., Serial Numbers beginning with 24XXXXXXX or before) |

NOTE:
 PRODUCT IMPROVEMENT BULLETIN DK3001A REPLACES
 PIB DK3001 IN ITS ENTIRETY. REMOVE AND DESTROY
 PIB DK3001.

SUBJECT: + 10 VOLT POWER SUPPLIES

DESCRIPTION: Improvements are being facilitated for stabilizing the + ten (10) volt power supplies. The incorporation of these changes will field upgrade previously shipped units to current shipping configurations.

EFFECTIVITY: All D-3000 DISK UNITS PRIOR TO MARCH 1974.

PARTS AFFECTED: Servo Control Board Part No. 102811 will be the only affected electronics. A brief explanation of the changes are as follows:

- VR4, VR10, R161 and R174 are power supply components that regulate the (+) and (-) ten (10) volt supplies. VR4 and VR10 are one (1) watt zeners currently being operated at approximately 800 mw by R161 and R174. By changing the above-mentioned components, VR4 and VR10's wattage factor will decrease to approximately 500mw.

| PARTS REQUIRED: | QTY | DESCRIPTION | DESIGNATION |
|-----------------|-----|---|-------------|
| | 1 | Resistor, 39 Ohms, 5%, 1/4W | R161 |
| | 1 | Resistor, 330 Ohms, 5%, 2W | R174 |
| | 2 | Zener Diodes, 10V, 1%, 1W (Motorola Pt. 1M10ZS1, Gen. Semiconductor Pt 1N4740-1%) | VR4, VR10 |

NOTE: These parts are available through local electronic parts distributors.

Should Additional Information Be Required — Contact

PERTEC

PERIPHERAL EQUIPMENT DIVISION
 9600 Irondale Avenue, Chatsworth, California 91311
 Phone (213) 882-0030 / TWX (910) 494-2093
 ATTENTION: PRODUCT SUPPORT MANAGER

Distribution Code - 6318

TITLE + 10 VOLT POWER SUPPLIES

PIB NO.
DK-3001A

SPECIAL TOOLS: None Required.

PROCEDURE:

- Rework instructions are as follows (See Figure 1).
- Replace VR4 and VR10 noting the cathode and anode positions.
- Replace R161 and R174.
- Readjustment of +5V and -5V is required as per D3000 Manual, Page 6-14, Section, 6.6.1.

DRAWING CHANGES: Drawing Changes are to be Made as Follows:

A. Drawing 102810, Sheet 2 of 3

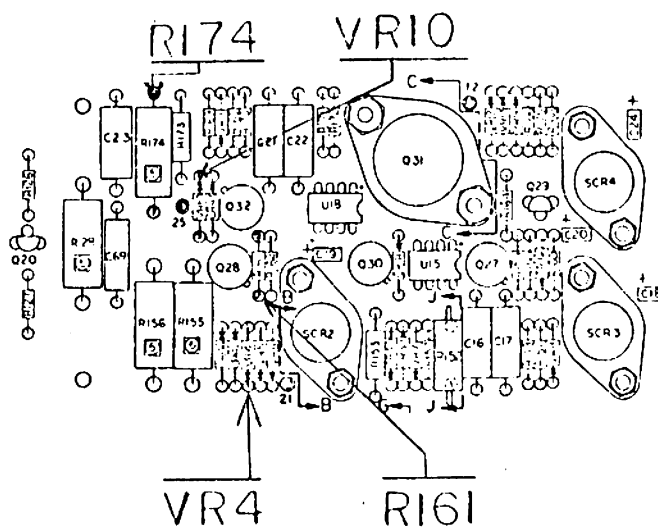
| Zone | Component | From | To |
|------|-----------|----------|----------|
| 15-F | VR4 | 330-1005 | 330-1001 |
| 15-F | R161 | 27 Ohms | 39 Ohms |
| 15-E | VR10 | 330-1005 | 330-1001 |
| 15-D | R174 | 220 Ohms | 330 Ohms |

B. Drawing 102810, Sheet 3 of 3 - TABLE I

| Change From | Change To |
|-------------|-----------|
| 100-2705 | 100-3905 |
| 103-2215 | 103-3315 |

NOTE: ADD PART NUMBER 330-1001 BENEATH PART NUMBER 330-1005.

| Delete | From Part No. | Add | To Part No. |
|--------|---------------|------|-------------|
| VR4 | 330-1005 | VR4 | 330-1001 |
| VR10 | 330-1005 | VR10 | 330-1001 |



ONLY PART OF
SERVO BOARD
(102811) IS
SHOWN

FIGURE I

TITLE

± 10 VOLT POWER SUPPLIES

PIB NO.

DK3001A

REVISION LEVEL: Add (+5636 Partial) to existing LM Revision on Servo PCBA.

ADD:

EXAMPLE:

(LM 102811-xx-x) + 5636 Partial

└─┬─> Shall Remain As Is.