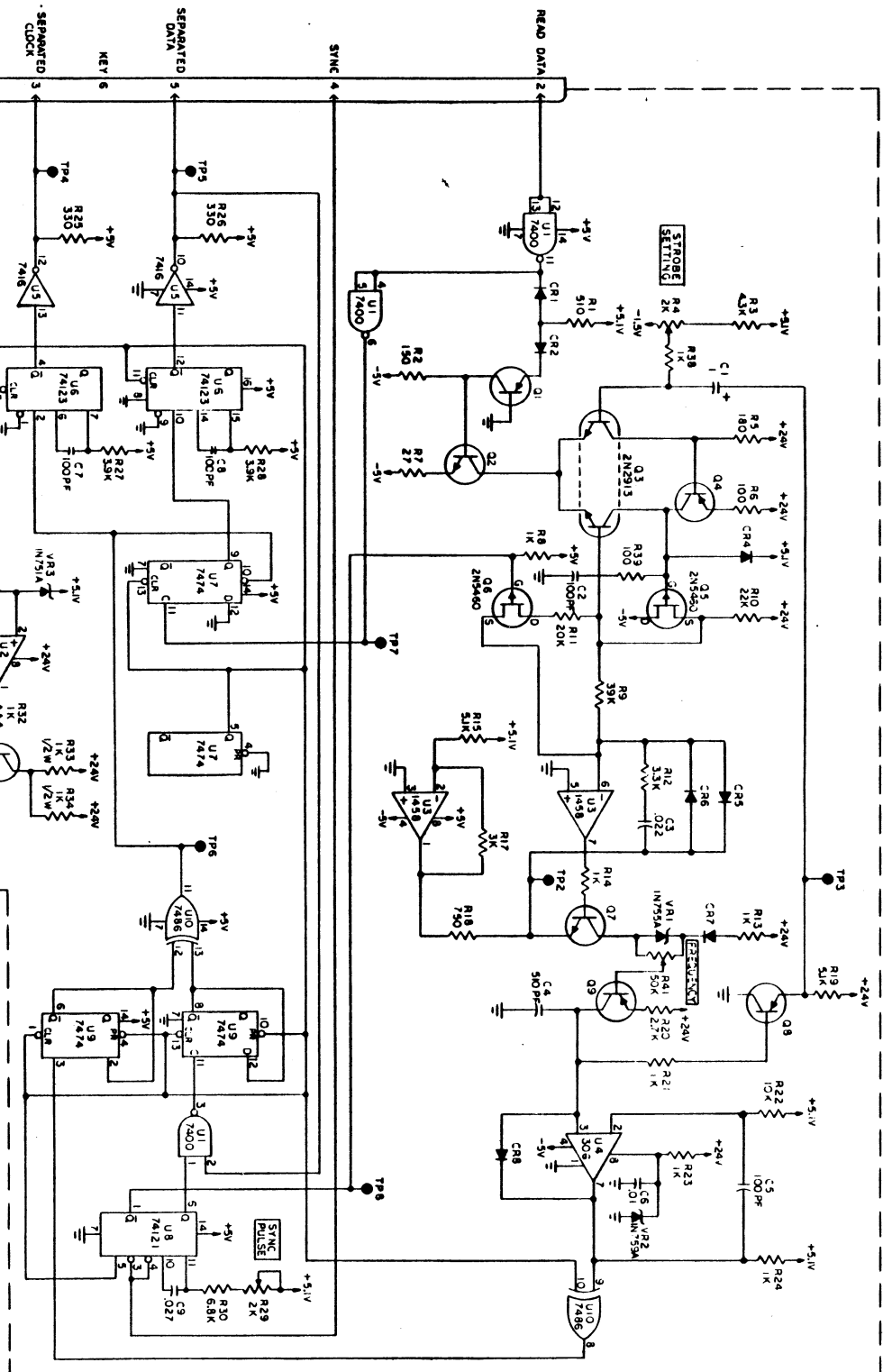


REV	DESCRIPTION	DATE	BY
X2	ECO 231		
X1	ECO 230		
A	ECO 229		
B	ECO 228		
C	ECO 227		
D	ECO 226		
E	ECO 225		
F	ECO 224		



COMP. REF. DESIGNATIONS

LAST USED	SELECTED
U10	U10
C10	C10
C11	C11
V10	V10
R10	R10
R11	R11
R12	R12
R13	R13
R14	R14
R15	R15
R16	R16
R17	R17
R18	R18
R19	R19
R20	R20
R21	R21
R22	R22
R23	R23
R24	R24
R25	R25
R26	R26
R27	R27
R28	R28
R29	R29
R30	R30
R31	R31
R32	R32
R33	R33
R34	R34
R35	R35
R36	R36
R37	R37
R38	R38
R39	R39
R40	R40
R41	R41
R42	R42
R43	R43
R44	R44
R45	R45
R46	R46
R47	R47
R48	R48
R49	R49
R50	R50
R51	R51
R52	R52
R53	R53
R54	R54
R55	R55
R56	R56
R57	R57
R58	R58
R59	R59
R60	R60
R61	R61
R62	R62
R63	R63
R64	R64
R65	R65
R66	R66
R67	R67
R68	R68
R69	R69
R70	R70
R71	R71
R72	R72
R73	R73
R74	R74
R75	R75
R76	R76
R77	R77
R78	R78
R79	R79
R80	R80
R81	R81
R82	R82
R83	R83
R84	R84
R85	R85
R86	R86
R87	R87
R88	R88
R89	R89
R90	R90
R91	R91
R92	R92
R93	R93
R94	R94
R95	R95
R96	R96
R97	R97
R98	R98
R99	R99
R100	R100

NOTES UNLESS SPECIFIED DRAWN

NO.	DESCRIPTION
1	TOLERANCES
2	MARK ALL SHARP EDGES APPROX. 0.015
3	MARK SURFACES
4	ALL DIMS IN INCHES

PERSCI

MODEL NO.	270277233
DATE	200530
SCALE	1:1
SHEET	OF 1

5. ALL PNP TRANSISTORS TO BE 2N4402.
 4. ALL NPN TRANSISTORS TO BE 2N4400.
 3. ALL DIODES TO BE IN3054.
 2. ALL CAPACITORS IN MICROFARADS.
 1. ALL RESISTORS IN OHMS (Ω), 5% UNLESS OTHERWISE SPECIFIED.