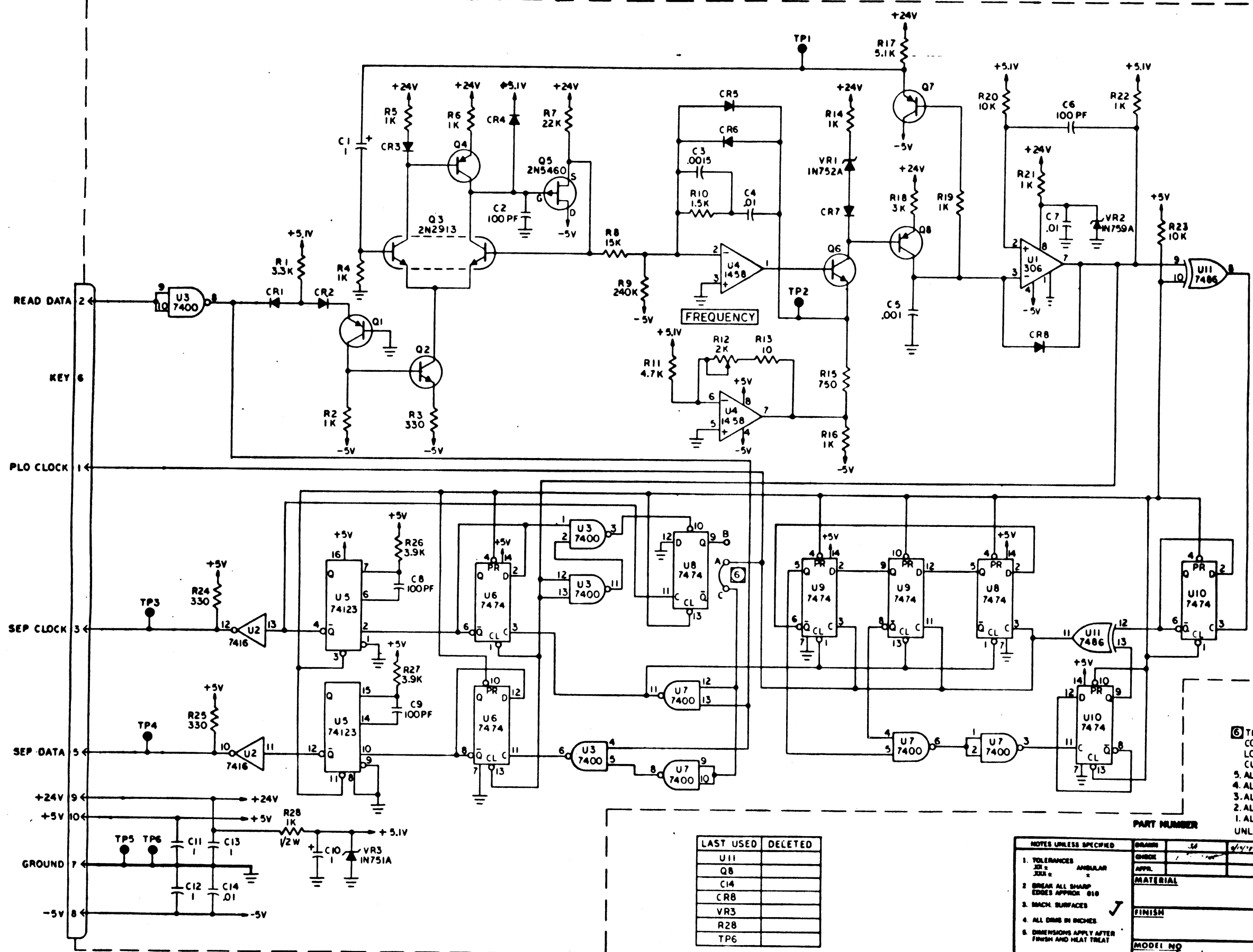


REV	DESCRIPTION	DATE	APPROVED
X1	EXP RELEASE		
X2	CHG TO 10 PIN CONN		
A	MFG RELEASE NO CHG		
B	ECO 235		
C	ECO 272		
D	ECO 321		
E	ECO 537		
F	ECO 580		
G	ECO 576	11/24/77	



Ⓢ THE JUMPER BETWEEN A & C IS AN ETCHED CONDUCTOR. WHEN ANY OTHER JUMPER LOCATION IS REQD. (SEE TABULATED W/L) CUT AWAY ETCH TRACE AND ADD JUMPER WIRE.

5. ALL PNP TRANSISTORS TO BE 2N4402.  
 4. ALL NPN TRANSISTORS TO BE 2N4402.  
 3. ALL DIODES TO BE IN3064  
 2. ALL CAPACITORS IN MICROFARADS.  
 1. ALL RESISTORS IN OHMS 1/4W. 5% UNLESS OTHERWISE SPECIFIED;

LAST USED	DELETED
U11	
Q8	
C14	
CR8	
VR3	
R28	
TP6	

- NOTES UNLESS SPECIFIED
- TOLERANCES UNLESS SPECIFIED: 1% RESISTORS, 5% CAPACITORS
  - BREAK ALL SHARP EDGES APPROX .010
  - BACK SURFACES
  - ALL DIMS IN INCHES
  - DIMENSIONS APPLY AFTER FINISH AND HEAT TREAT

DESIGN	51	REV	1/1
DATE	11/24/77	APPR.	
MATERIAL		FINISH	
MODEL NO	270/277/299	SCALE	D
NEXT ASSY	200591	SIZE	200592
		WEIGHT	SHT 1 OF 1

**PERSCI** PerSci Incorporated

SCHEMATIC  
PHASE LOCKED FM  
DATA SEPARATOR

200592 G