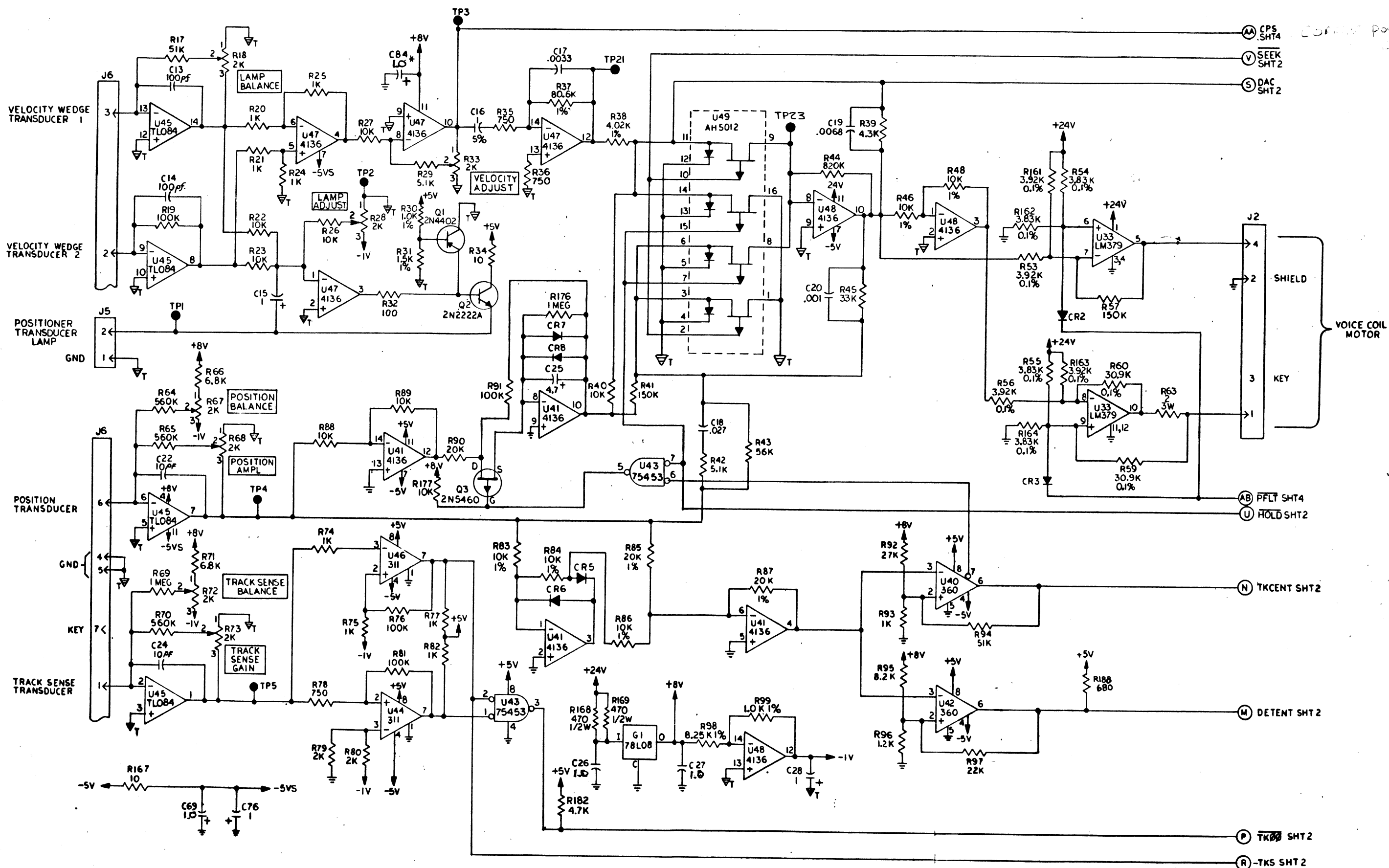


200741 M



AA CPS SHT4  
 V SEEK SHT2  
 S DAC SHT2

J2 SHIELD  
 KEY

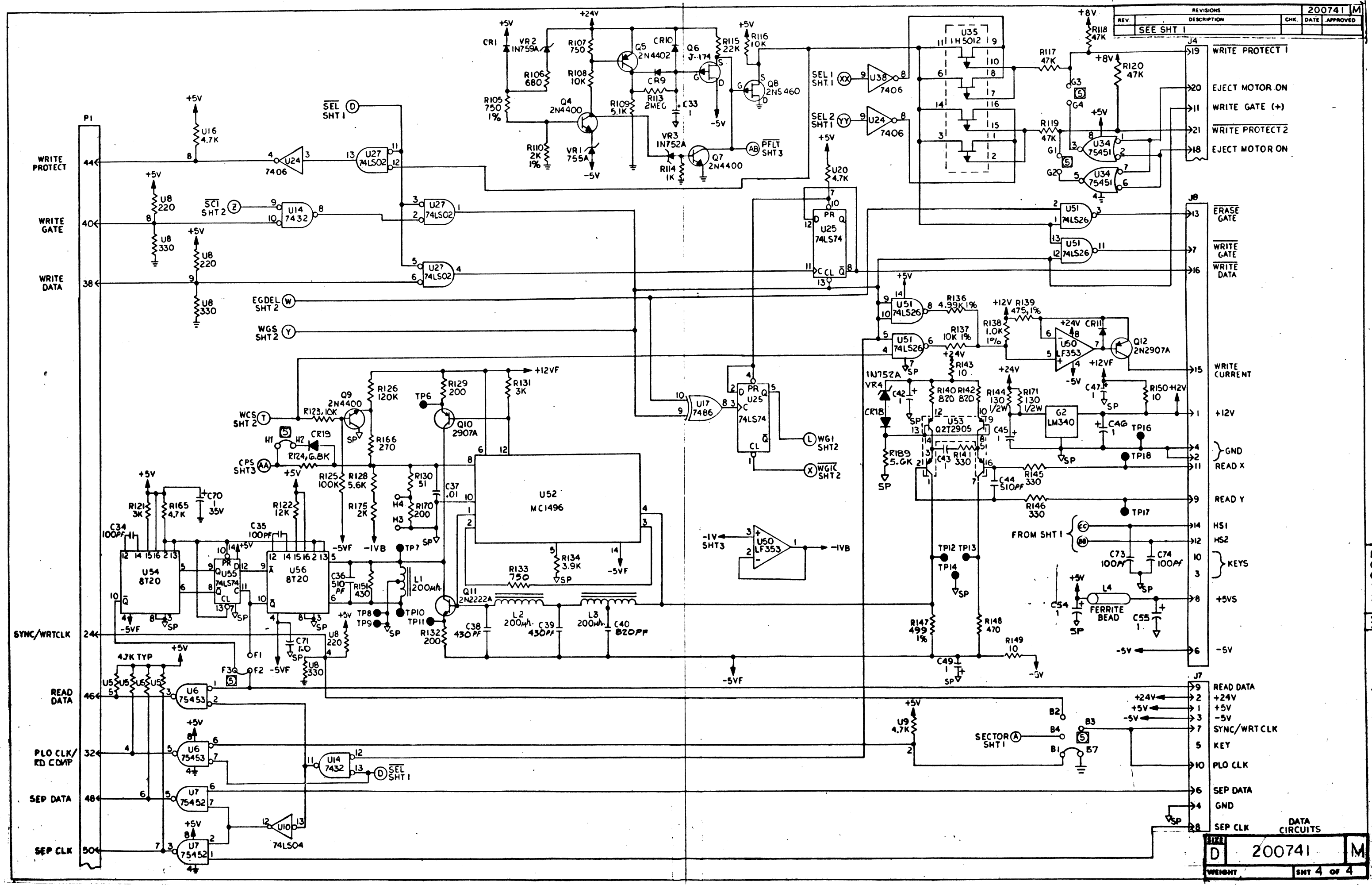
AB PFLT SHT4  
 U HOLD SHT2

N TKCENT SHT2

M DETENT SHT2

P TRK SHT2  
 R -TKS SHT2

200741 M



- J4
- 19 WRITE PROTECT 1
- 20 EJECT MOTOR ON
- 11 WRITE GATE (+)
- 21 WRITE PROTECT 2
- 18 EJECT MOTOR ON
- J8
- 13 ERASE GATE
- 7 WRITE GATE
- 16 WRITE DATA
- 15 WRITE CURRENT
- 1 +12V
- 11 } GND
- 2 } READ X
- 9 READ Y
- 14 HS1
- 12 HS2
- 10 } KEYS
- 3 } KEYS
- 8 +5VS
- 6 -5V
- J7
- 9 READ DATA
- 2 +24V
- 1 +5V
- 3 -5V
- 7 SYNC/WRT CLK
- 5 KEY
- 10 PLO CLK
- 6 SEP DATA
- 4 GND
- 8 SEP CLK