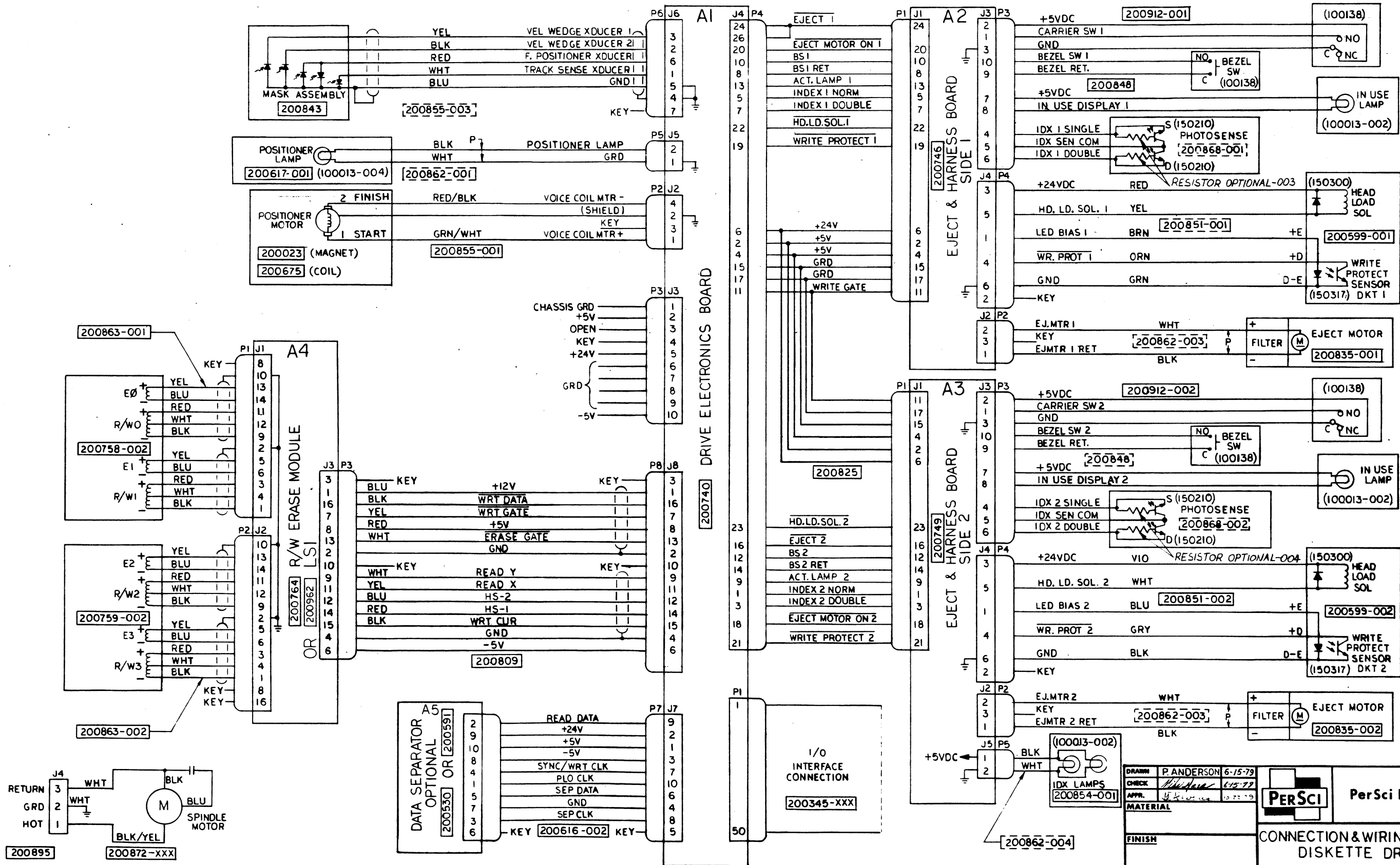


REVISIONS		200856	E
REV	DESCRIPTION	CHK	DATE
A	ENG REL		
B	NO FUNCTIONAL CHANGE		
C	ECO 545		
D	ECO 564		
E	ECO 664		



200856/E

DRAWN: P. ANDERSON 6-15-79 CHECK: [Signature] 6-15-79 APPR: [Signature] 6-15-79 MATERIAL:	<b>PERSCI</b> PerSci Inc.	CONNECTION & WIRING DIAGRAM DISKETTE DRIVE CODE 106 QTY
FINISH:	MODEL NO: 299B	SCALE: NONE
NEXT ASSY: 200800	SIZE: D	200856
WEIGHT:	SMT:	OF: