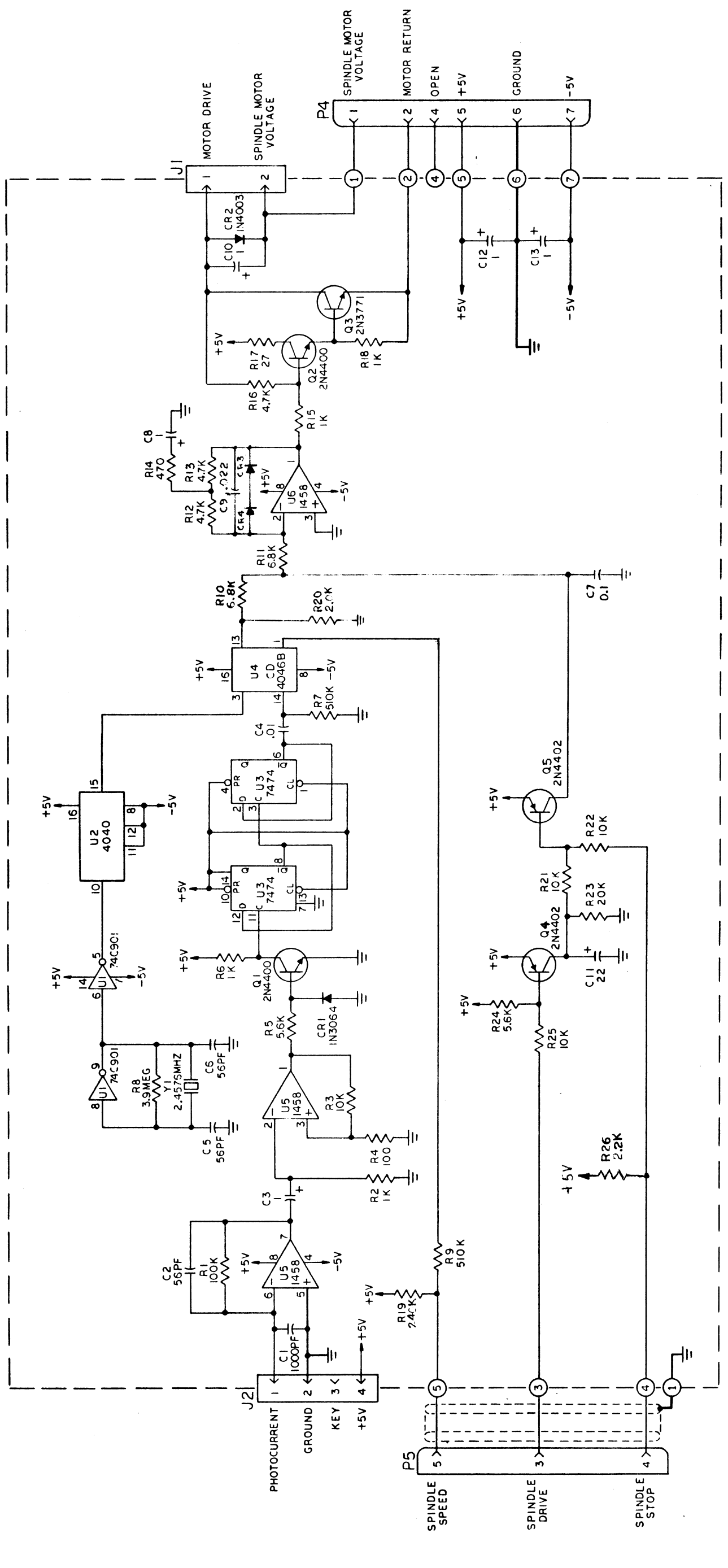


REV.	DESCRIPTION	CHK	DATE	APPROVED
A	ENGINE RELEASE		10/77	W. J. Olson
B	ECO 390 NOT DISTRIBUTED			
C	ECO 404			
D	ECO 555			

REVISIONS		200730	D
REV.	DESCRIPTION	CHK	DATE
A	ENGINE RELEASE		10/77
B	ECO 390 NOT DISTRIBUTED		
C	ECO 404		
D	ECO 555		



2 ALL CAPACITORS IN MICROFARADS.
 1. ALL RESISTORS IN OHMS 1/4W, 5%.

NOTES: UNLESS OTHERWISE SPECIFIED:

NOTES UNLESS SPECIFIED	PERSCI	PerSci Inc	CODE
1. TOLERANCES XX ± XXX ±	PERSCI	PerSci Inc	10B
2. BREAK ALL SHARP EDGES APPROX. .010			QTY
3. MACH. SURFACES			SCALE
4. ALL DIMS IN INCHES.			SIZE
5. DIMENSIONS APPLY AFTER FINISH AND HEAT TREAT			WEIGHT
			SHT 1 OF 1

REV.	DESCRIPTION	CHK	DATE	APPROVED
A	ENGINE RELEASE		10/77	W. J. Olson
B	ECO 390 NOT DISTRIBUTED			
C	ECO 404			
D	ECO 555			

REV.	DESCRIPTION	CHK	DATE	APPROVED
A	ENGINE RELEASE		10/77	W. J. Olson
B	ECO 390 NOT DISTRIBUTED			
C	ECO 404			
D	ECO 555			