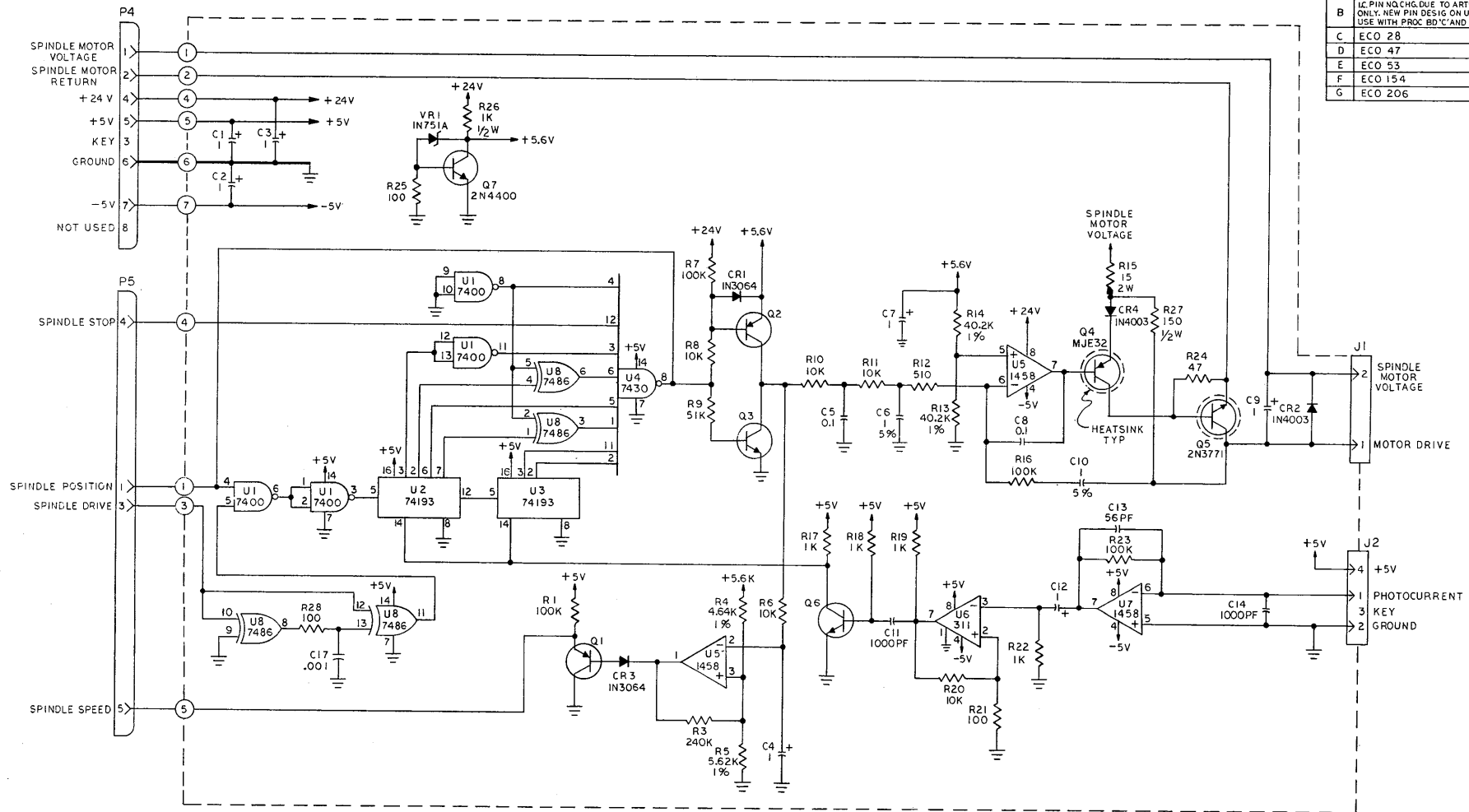


REVISIONS			200133	G
REV	DESCRIPTION	CHK	DATE	APPR
A	ENGIN REL		7/15/77	
B	IC PIN NO CHG DUE TO ARTWORK REDESIGN ONLY. NEW PIN DESIG ON U1,U4,U5,U7 USE WITH PROC BD 'C' AND UP		8/2/77	
C	ECO 28		8/22/77	
D	ECO 47		8/24/77	
E	ECO 53		8/24/77	
F	ECO 154		8/25/77	
G	ECO 206		8/25/77	



REF DESIGNATIONS

LAST USED	DELETED
U8	
Q7	
CR4	
C17	C15, C16
R28	R2
VR1	

4 ALL PNP TRANSISTORS TO BE 2N4402.  
 3 ALL NPN TRANSISTORS TO BE 2N4400.  
 2 ALL CAPACITOR VALUES IN MICROFARADS.  
 1. ALL RESISTOR VALUES IN OHMS, 1/4W, 5%.  
 UNLESS OTHERWISE SPECIFIED;

**PERSCI, INC.**

PERSCI

DATE: \_\_\_\_\_ APPROVED BY: \_\_\_\_\_ DRAWN BY: \_\_\_\_\_  
 DATE: \_\_\_\_\_ REVISED: \_\_\_\_\_

**SCHEMATIC, PCB, SPINDLE SERVO**

MOD 270/272/277 SHT 1 OF 1 200133/G