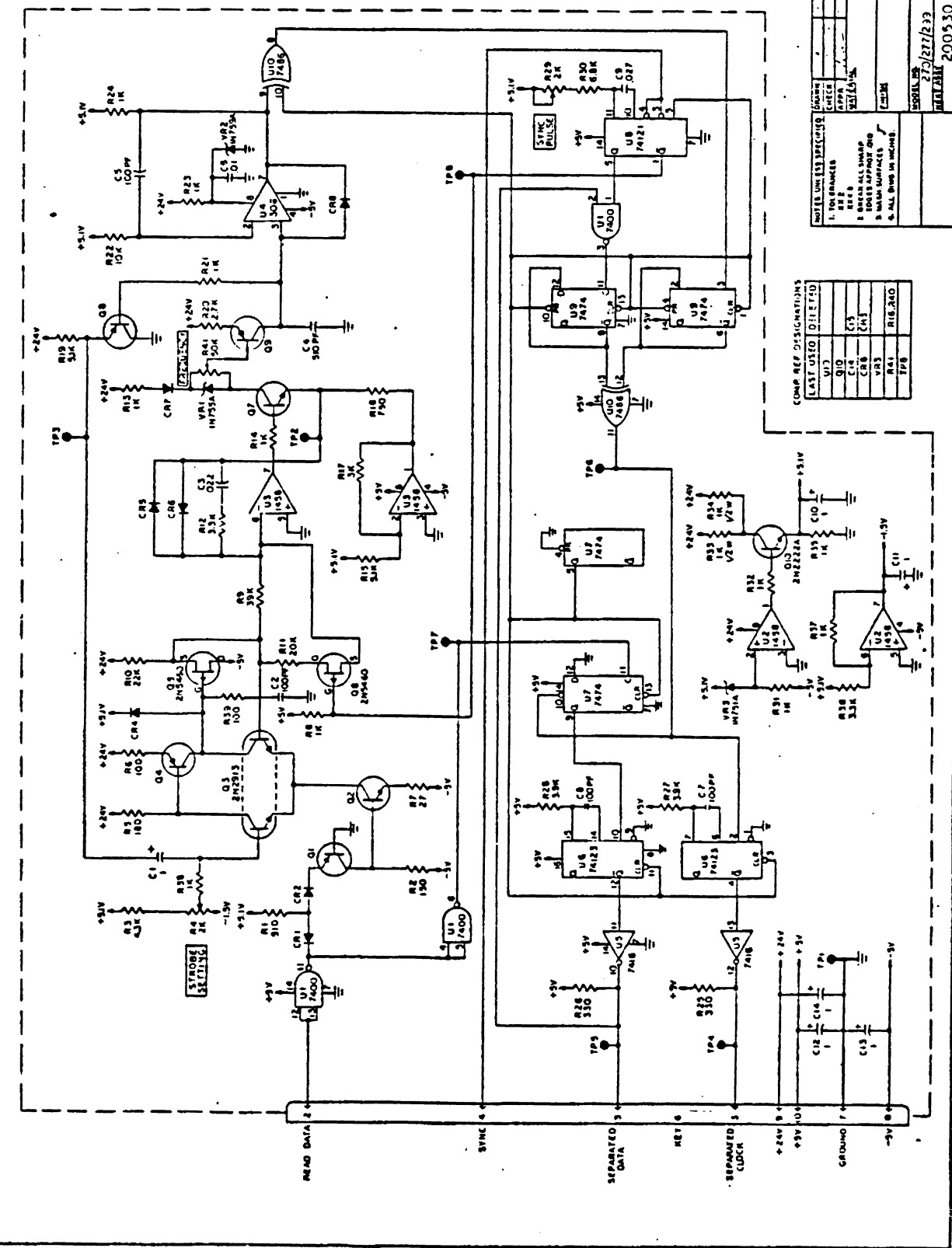


REV	DESCRIPTION	DATE	BY
1	INITIAL DESIGN		
2	REVISED TO ADD...		
3	REVISED TO ADD...		
4	REVISED TO ADD...		
5	REVISED TO ADD...		
6	REVISED TO ADD...		
7	REVISED TO ADD...		
8	REVISED TO ADD...		
9	REVISED TO ADD...		
10	REVISED TO ADD...		
11	REVISED TO ADD...		
12	REVISED TO ADD...		
13	REVISED TO ADD...		
14	REVISED TO ADD...		
15	REVISED TO ADD...		
16	REVISED TO ADD...		
17	REVISED TO ADD...		
18	REVISED TO ADD...		
19	REVISED TO ADD...		
20	REVISED TO ADD...		



- 1. ALL PNP TRANSISTORS TO BE 2N4402.
- 2. ALL NPN TRANSISTORS TO BE 2N4400.
- 3. ALL DIODES TO BE 1N3056.
- 4. ALL CAPACITORS IN MICROFARADS.
- 5. ALL RESISTORS IN OHMS V/W 1/4W 5% UNLESS OTHERWISE SPECIFIED.

**PerSeI Incorporated**

SCHEMATIC:  
DOUBLE DENSITY  
DATA SEPARATOR

DATE: 2/27/72  
DRAWN BY: J. J. BROWN  
CHECKED BY: J. J. BROWN  
APPROVED BY: J. J. BROWN

200530

200531 F

SHEET 1 OF 1

COMP REF DESIGNATIONS

LAST USED	DATE
U1	74100
U2	74105
U3	74106
U4	74107
U5	74108
U6	74109
U7	74110
U8	74111
U9	74112
U10	74113
U11	74114
U12	74115
U13	74116
U14	74117
U15	74118
U16	74119
U17	74120
U18	74121
U19	74122
U20	74123
U21	74124
U22	74125
U23	74126
U24	74127
U25	74128
U26	74129
U27	74130
U28	74131
U29	74132
U30	74133
U31	74134
U32	74135
U33	74136
U34	74137
U35	74138
U36	74139
U37	74140
U38	74141
U39	74142
U40	74143
U41	74144
U42	74145
U43	74146
U44	74147
U45	74148
U46	74149
U47	74150
U48	74151
U49	74152
U50	74153
U51	74154
U52	74155
U53	74156
U54	74157
U55	74158
U56	74159
U57	74160
U58	74161
U59	74162
U60	74163
U61	74164
U62	74165
U63	74166
U64	74167
U65	74168
U66	74169
U67	74170
U68	74171
U69	74172
U70	74173
U71	74174
U72	74175
U73	74176
U74	74177
U75	74178
U76	74179
U77	74180
U78	74181
U79	74182
U80	74183
U81	74184
U82	74185
U83	74186
U84	74187
U85	74188
U86	74189
U87	74190
U88	74191
U89	74192
U90	74193
U91	74194
U92	74195
U93	74196
U94	74197
U95	74198
U96	74199
U97	74200