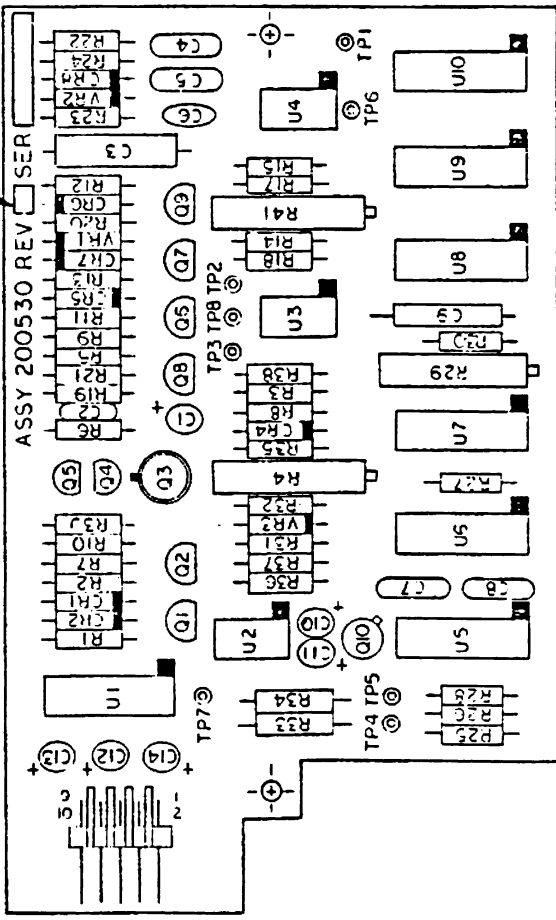


REVISONS		1527 J
REV	DESCRIPTION	DATE APPR
X2	EXP RELEASE	
A	MFG RELEASE	
B	ECO 270	
C	ECO 295	
D	ECO 302	
E	ECO 311	
F	SUFFIX ECO 312 REMOVED	
G	SUFFIX ECO 315 REMOVED	
H	ECO 317	
J	ECO 378	1/7/78



- 3 REMOVE KEYING PINS PRIOR TO INSTALLATION ON PCB
- 2. SCHEMATIC REF 200531.
- 1 MARK REVISION AND SERIAL NUMBERS .12 HIGH BLACK CHARACTERS IN AREA SHOWN. UNLESS OTHERWISE SPECIFIED:

PART NO TO BE 200530

NOTES UNLESS SPECIFIED	DRAWN		
	CHECK		
1. TOLERANCES .XX ± .XXX ±	APPR.		
	MATERIAL		
2. BREAK ALL SHARP EDGES APPROX .010	FINISH		
3. WASH SURFACES	MODEL NO.	270/277/299	
4. ALL DIMS IN INCHES.	NEXT ASSY	200131, 200597.	
PerSci Incorporated		SCALE	2:1
ASSEMBLY PCB DOUBLE DENSITY DATA SEPARATOR		SIZE	C
CODE 120 DT/ORG 1		WEIGHT	
		SHEET 1 OF 1	