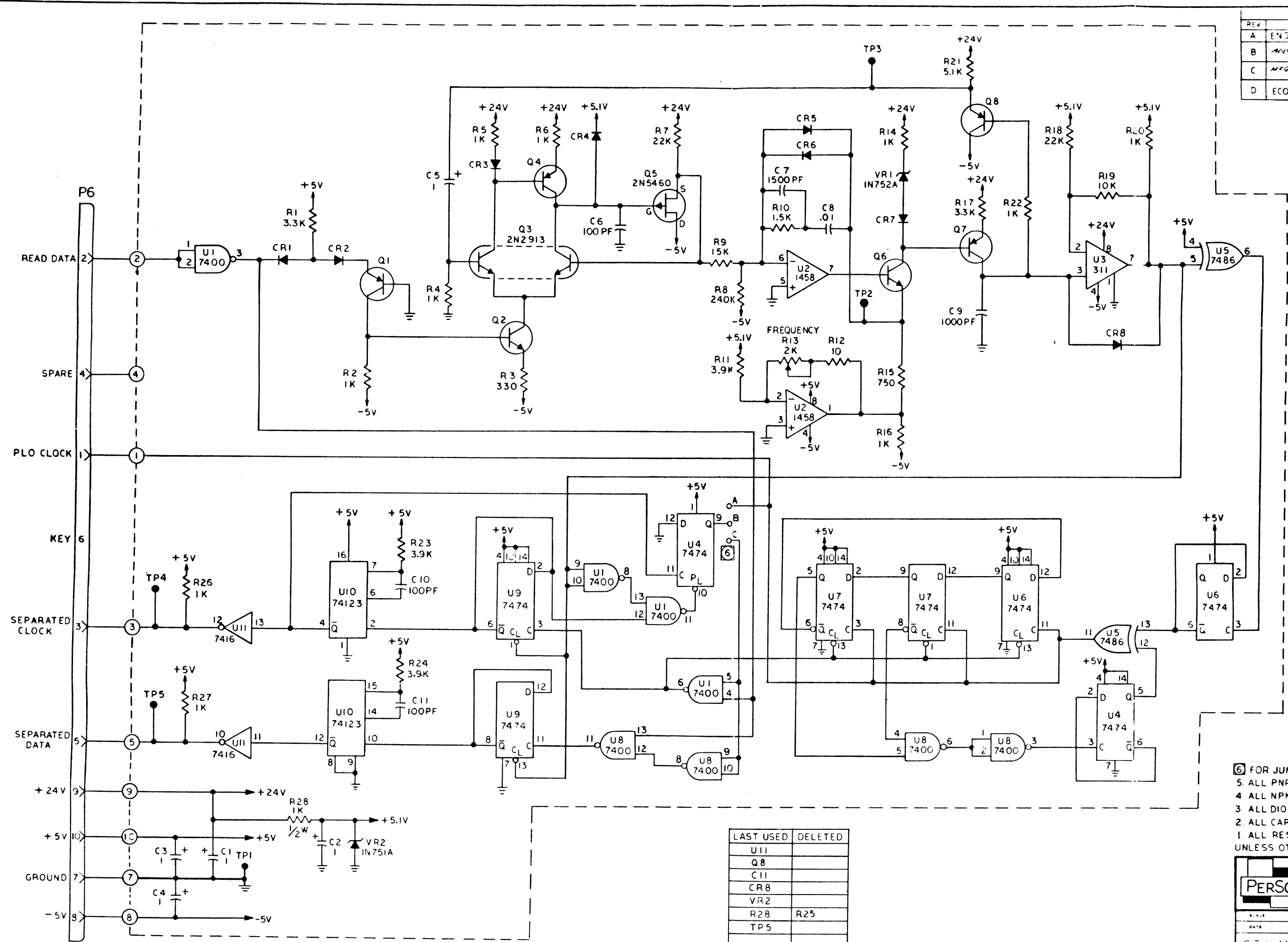


| REVISIONS | | 200115 | D |
|-----------|---------------------------------------|--------|------|
| REV | DESCRIPTIONS | CHK | DATE |
| A | ENGIN REL | | |
| B | ADD INTERNAL REGULATOR +5.1V | | |
| C | MFG REL - ADD OPTIM. & MISC. A.S.E.C. | | |
| D | ECO 576 | | |



- ⑥ FOR JUMPER LOCATIONS SEE TABULATED M/L.
- 5. ALL PNP TRANSISTORS TO BE 2N4402.
- 4 ALL NPN TRANSISTORS TO BE 2N4400.
- 3 ALL DIODES TO BE IN3064.
- 2. ALL CAPACITORS IN MICROFARADS.
- 1. ALL RESISTORS IN OHMS 1/4 W. 5% UNLESS OTHERWISE SPECIFIED:

| LAST USED | DELETED |
|-----------|---------|
| U11 | |
| Q8 | |
| C11 | |
| CR8 | |
| VR2 | |
| R28 | R25 |
| TP5 | |

PERSCI, INC.

PERSCI

SCHEMATIC PHASE LOCKED DOUBLE F DATA SEPARATOR

DATE: _____ APPROVED BY: _____ DRAWN BY: _____

REVISED: _____

MOD 270 272/277 SHT 1 OF 1 2001.5 D