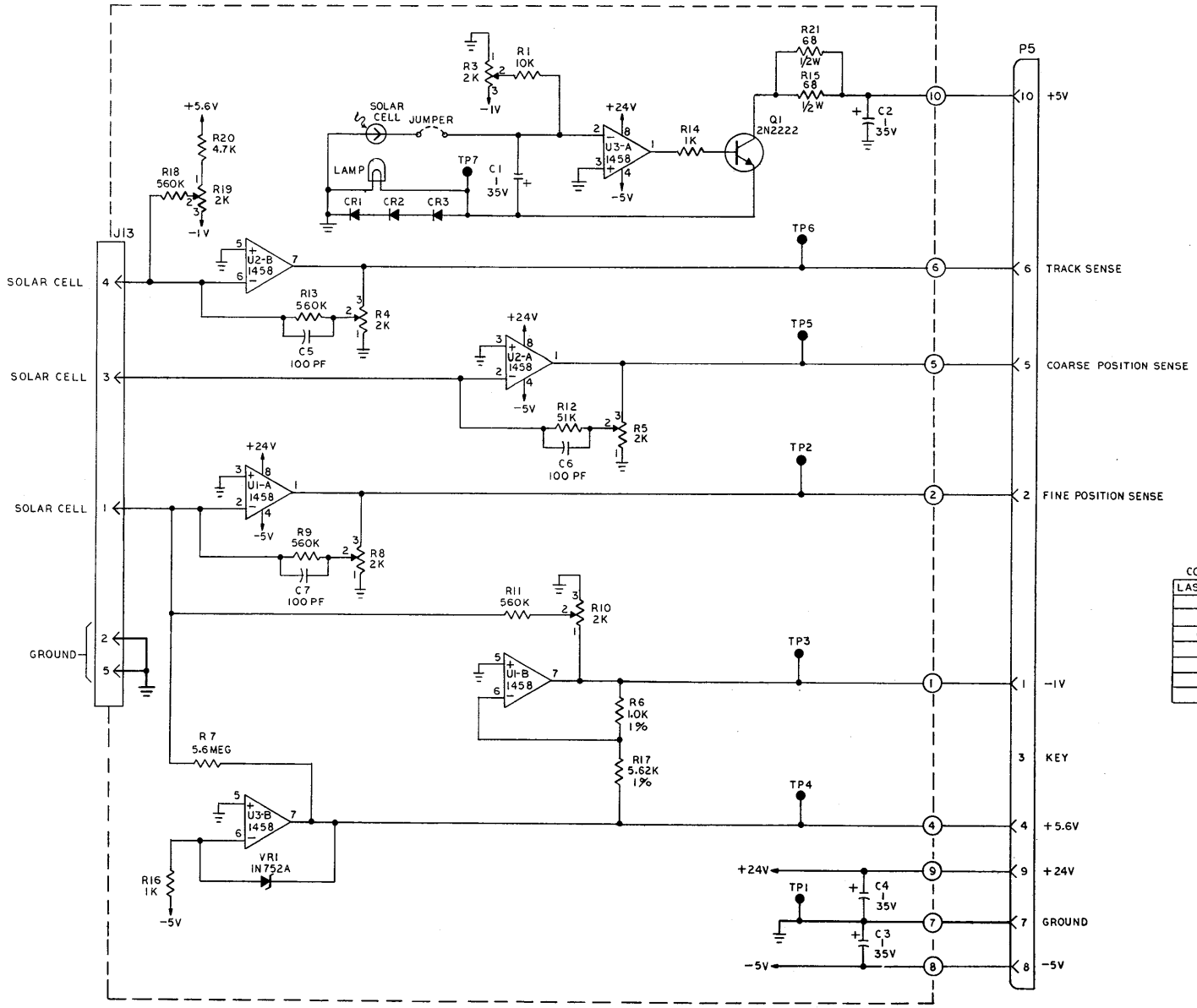



REVISIONS		200096 E
REV	DESCRIPTIONS	CHK/DATE/APP/R
A	ENGIN REL	1/8/96
B	ADD R18, R19 & 20	1/15/96
C	ECO 63 MFG REL	1/15/96
D	SEE ECO 77	1/15/96
E	ECO 179	1/14/96



COMP REF. DESIGNATIONS

LAST USED	DELETED
U3	
Q1	
CR3	
C7	
R21	R2
TP7	
VR1	

- 3 ALL DIODES TO BE IN4003.
 - 2 ALL CAPACITOR VALUES IN MICROFARADS.
 - 1 ALL RESISTOR VALUES IN OHMS, 1/4W, 5%.
- UNLESS OTHERWISE SPECIFIED;



PERSCI, INC.

SCALE: _____ APPROVED BY: _____ DRAWN BY: _____

DATE: _____ REVISED: _____

SCHEMATIC, PCB, LAMP AMPLIFIER

MOD 270/272/277 SHT 1 OF 1 200096 E

200096 E