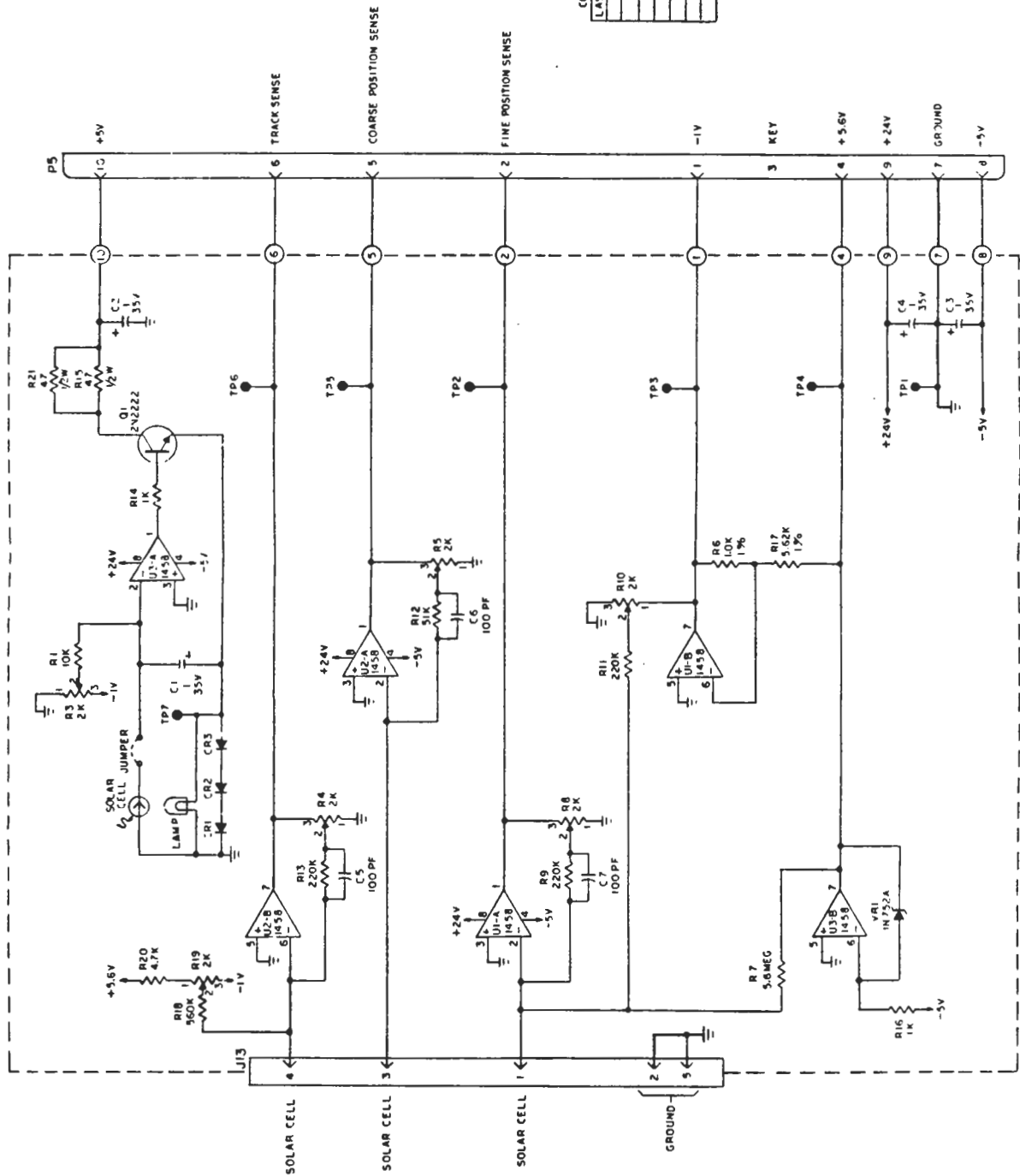


| REV. | REVISIONS       |
|------|-----------------|
| A    | EMPHASIS        |
| B    | ADD R18, R120   |
| C    | ECO 63 MFG. RE. |
| D    | SEE ECO 77      |
| E    | ECO 179         |
| F    | ECO 227         |
| G    | ECO 294         |

| COMP. REF. | DESIGNATIONS | DELETED |
|------------|--------------|---------|
| U3         |              |         |
| Q1         |              |         |
| CR3        |              |         |
| C7         |              |         |
| R21        | R2           |         |
| TP7        |              |         |
| VRI        |              |         |



3 ALL DIODES TO BE 1N4003.  
 2 ALL CAPACITOR VALUES IN MICROFARADS.  
 1 ALL RESISTOR VALUES IN OHMS, 1/4W, 5%.  
 UNLESS OTHERWISE SPECIFIED:

**PERSCI, INC.**

SCHEMATIC PCB LAYOUT AMPLIFIER  
 MOD 2750/2/251 SHT 2/1 3/75 G