

COMPONENT REF. DESIGNATIONS

LAST USED	DELETED
U61	U49
Q39	
C60	C31, C32
CR18	CR1, CR2
VR1	
R177	R11
TP7	
L1	

Ⓢ FOR VARIABLE COMP VALUES AND JUMPER LOCATIONS SEE TABULATED M/L.

- 5. ALL PNP TRANSISTORS TO BE 2N4402.
- 4. ALL NPN TRANSISTORS TO BE 2N4400.
- 3. ALL DIODES TO BE IN3064.
- 2. ALL CAPACITORS IN MICROFARADS.
- 1. ALL RESISTORS IN OHMS, 1/4W, 5% UNLESS OTHERWISE SPECIFIED;

READ/WRITE/ERASE ELECTRONICS

PERSCI, INC.

PERSCI

SCALE: _____ APPROVED BY: _____ DRAWN BY: _____

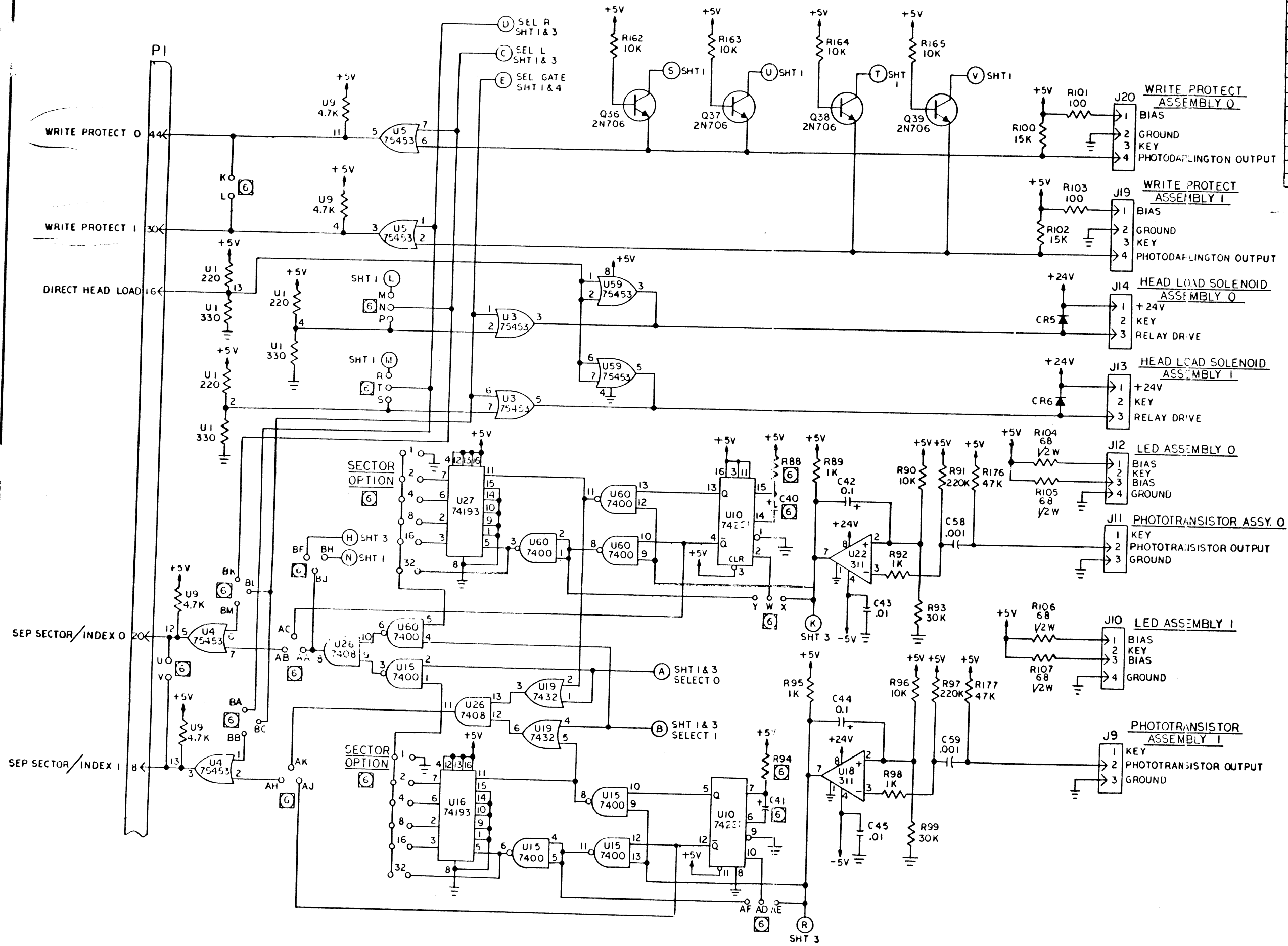
DATE: _____ REVISION: _____

SCHMATIC, PCB, DATA & INTERFACE

MOD 270/272/277 SHT 1 OF 4 200264 N

200264 N

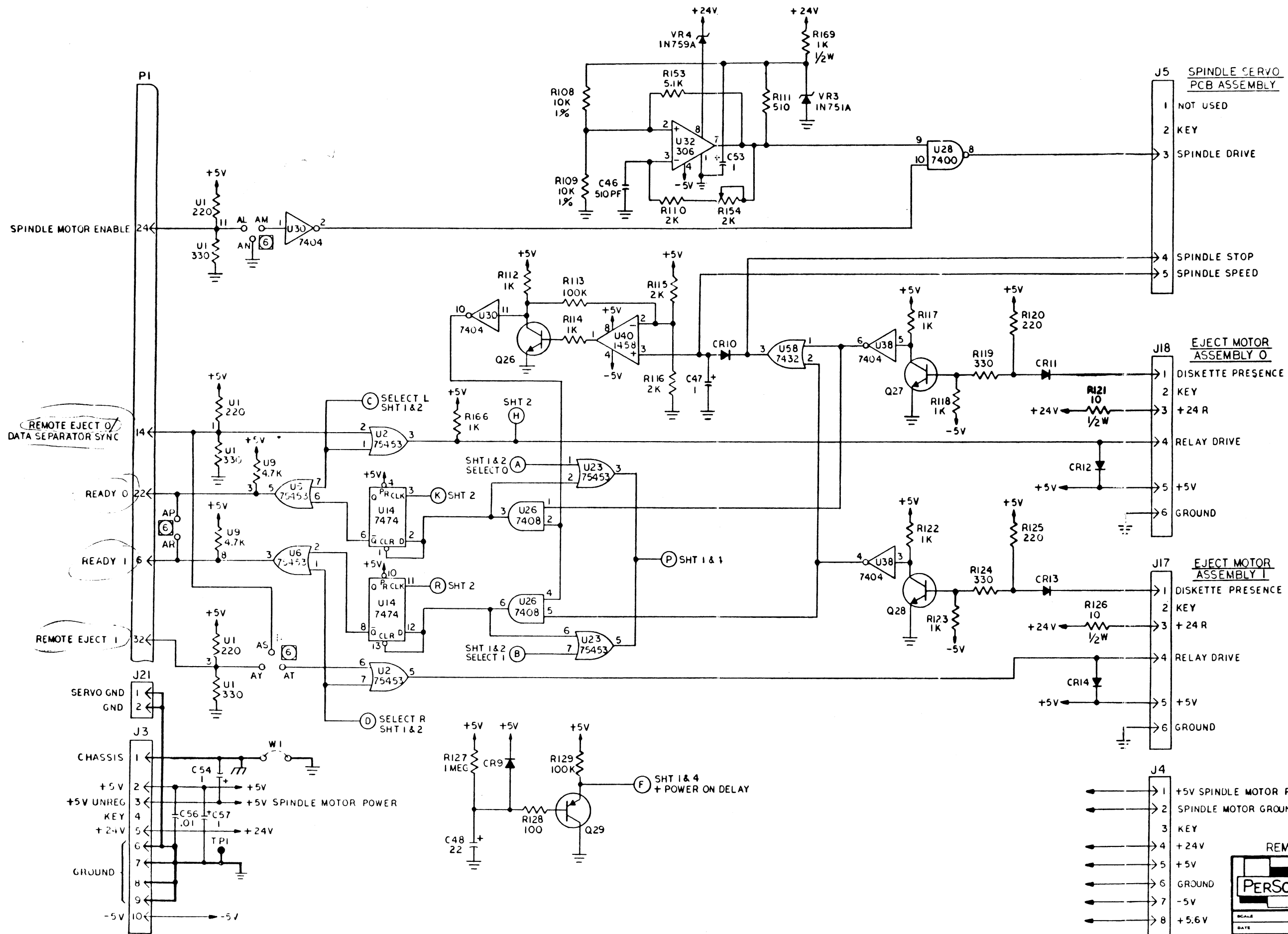
REVISION		200264
REV	DESCRIPTION	CHK DATE APPROVED
A	MFG REL	
B	ECO #12	
C	ECO #13	
D	ECO #45	
E	ECO #57	
F	ECO #59	
G	ECO #129	
H	ECO #134	
J	ECO #156	
K	ECO #188	
L	ECO #244	
M	ECO #281	
N	ECO #355	



WRITE PROTECT, H.LOAD, INDEX

		PERSCI, INC.	
DATE:		DRAWN BY:	
REVISED:		REVISED:	
SCHEMATIC, PCB, DATA & INTERFACE			
MCD 270/272/277		SHT 2 OF 4 200264 N	

200264 N

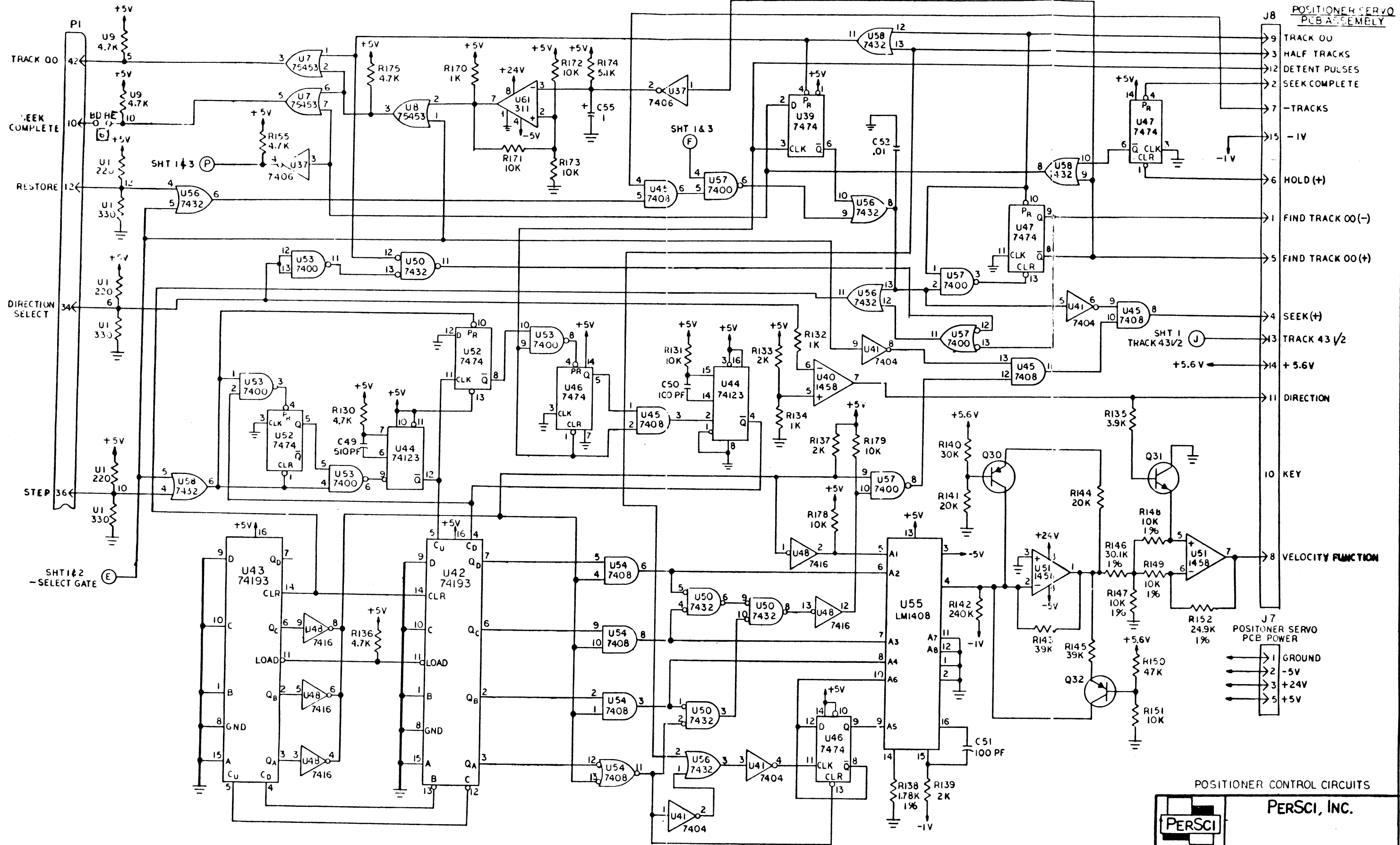


REMOTE EJECT, READY, SPINDLE

PERSCI, INC.

SCALE	APPROVED BY	DRAWN BY
DATE	REVIEWED	
SCHEMATIC, PCB, DATA & INTERFACE		
1:00 270/272/277	SHT 3 OF 4	200264N

200264N



POSITIONER CONTROL CIRCUITS

PERSCI, INC.	
SCALE:	APPROVED BY:
DATE:	REVISION:
SCHEMATIC, PCB, DATA & INTERFACE	
MOD 270/272/277	SHT 4 OF 4
DRAWING NUMBER: 200264 N	

200264 N