

PERSCI
 READ/WRITE/ERASE ELECTRONICS
 1000 W. 14th St., Suite 100
 San Jose, CA 95128
 (415) 281-1111

5. ALL PNP TRANSISTORS TO BE 2N14402
4. ALL NPN TRANSISTORS TO BE 2N1400
3. ALL DIODES TO BE IN3054.
2. ALL CAPACITORS IN MICROFARADS
1. ALL RESISTORS IN OHMS, 1/4W, 5% UNLESS OTHERWISE SPECIFIED.

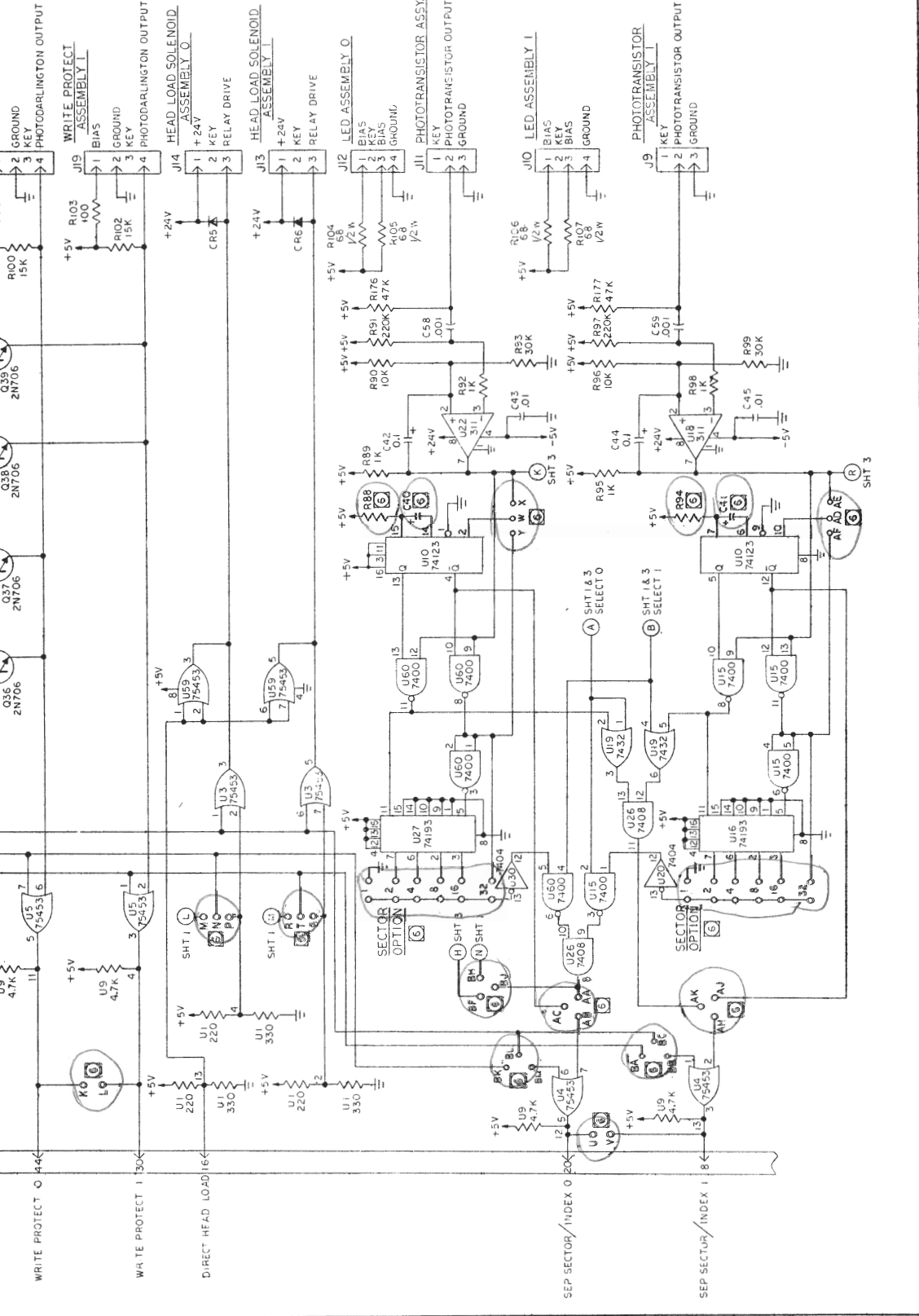
FOR VARIABLE COMP VALUES AND JUMPER LOCATIONS SEE TABULATED W/L.

COMPONENT REF DESIGNATIONS	
LAST USED	DELETED
U61	
Q39	
C59	C31, C32
C18	CR1, CR2
VR4	
TP7	RI1
LI1	

SEP DATA 48
 SEP CLOCK 50
 READ DATA 45
 HEAD/LOAD DR SEL 2
 DR SEL 1
 DR SEL 1/2
 DR SEL 1/4
 DR SEL 2/4
 DISK SELECT 2
 WRITE GATE 40
 WRITE DATA 39
 GROUND * ALL ODD PINS

REV	DESCRIPTION	CHK	DATE APPROVED
A	MFG REL		
B	ECO #12		
C	ECO #13		
D	ECO #45		
E	ECO #57		
F	ECO #59		
G	ECO #29		
H	ECO #34		

REVISION		200264 IH	
REV	DESCRIPTION	CHK	DATE APPROVED
A	MFG REL		
B	ECO #12		
C	ECO #13		
D	ECO #45		
E	ECO #57		
F	ECO #59		
G	ECO #29		
H	ECO #34		

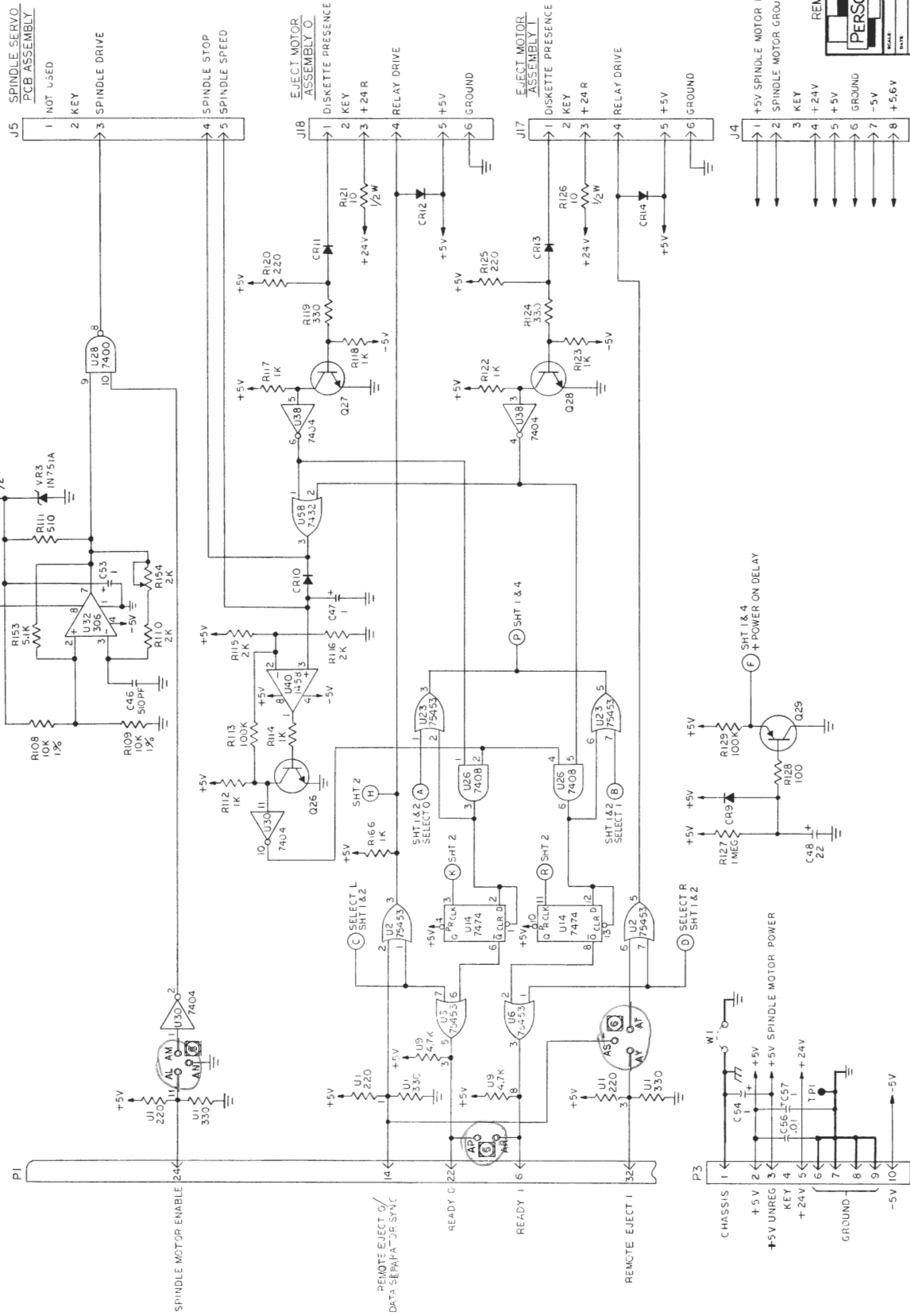


WRITE PROTECT. H.LOAD. INDEX

PERSCI, INC.

SCHEMATIC, PCB: DATA & INTERFACE

MOD 2702727277 SHT 2 OF 4 200264IH



PERSCI, INC.

SCHEMATIC, PCB, DATA & INTERFACE

MOD 270/272/277 SHT 3 OF 4 200264 H

DATE: _____

REVISED BY: _____

APPROVED BY: _____

PERSCI

REMOTE EJECT, READY, SPINDLE

J5 SPINDLE SERVO PCB ASSEMBLY



J18 EJECT MOTOR ASSEMBLY O



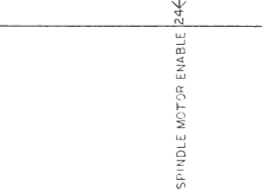
J17 EJECT MOTOR ASSEMBLY I



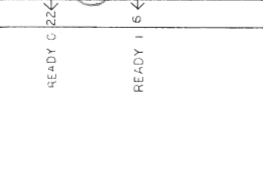
J4



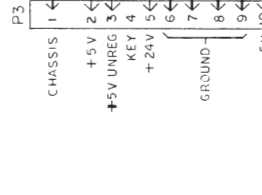
P1 SPINDLE MOTOR ENABLE



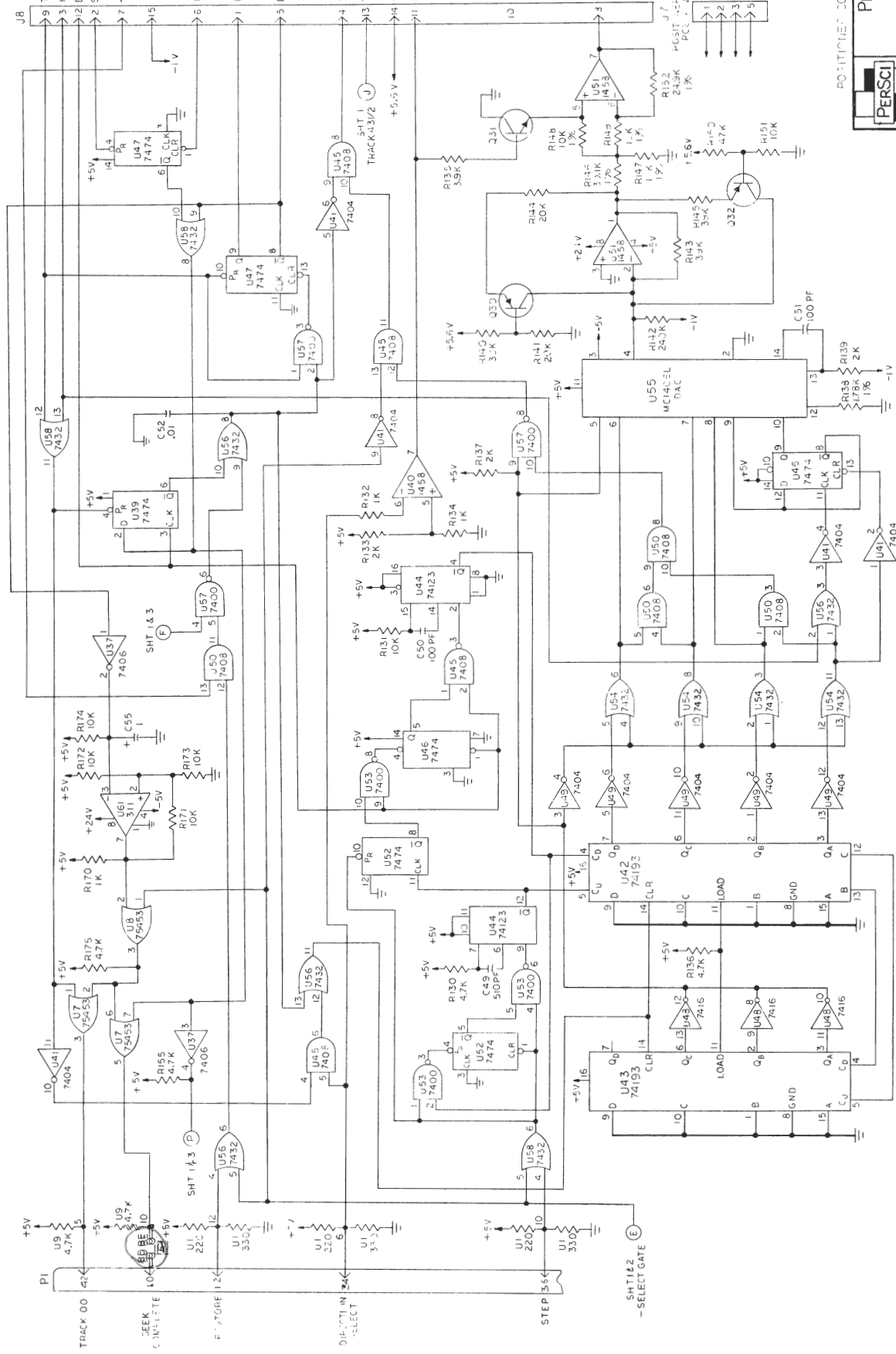
P3 REMOTE EJECT O / DATA SEPARA OR SYNC



P3 REMOTE EJECT I



POSITIONER SERVO
PCB ASSEMBLY



PERSCI, INC.

DATE: _____

APPROVED BY: _____

DATE: _____

SCHEMATIC, PCB, DATA INTERFACE

MOD 270/272/277 SHT 4054 200205-1H