

COMPONENT REF. DESIGNATIONS

LAST USED	DELETED
U58	
Q39	
C53	
CR18	
VR1	
R168	
TP3	
L1	

Ⓜ FOR VARIABLE COMP VALUES AND JUMPER LOCATIONS SEE TABULATED M/L.

- 5. ALL PNP TRANSISTORS TO BE 2N4402.
- 4. ALL NPN TRANSISTORS TO BE 2N4400.
- 3. ALL DIODES TO BE IN3064.
- 2. ALL CAPACITORS IN MICROFARADS.
- 1. ALL RESISTORS IN OHMS, 1/4W, 5% UNLESS OTHERWISE SPECIFIED;

READ/WRITE/ERASE ELECTRONICS

PERSCI, INC.

PERSCI

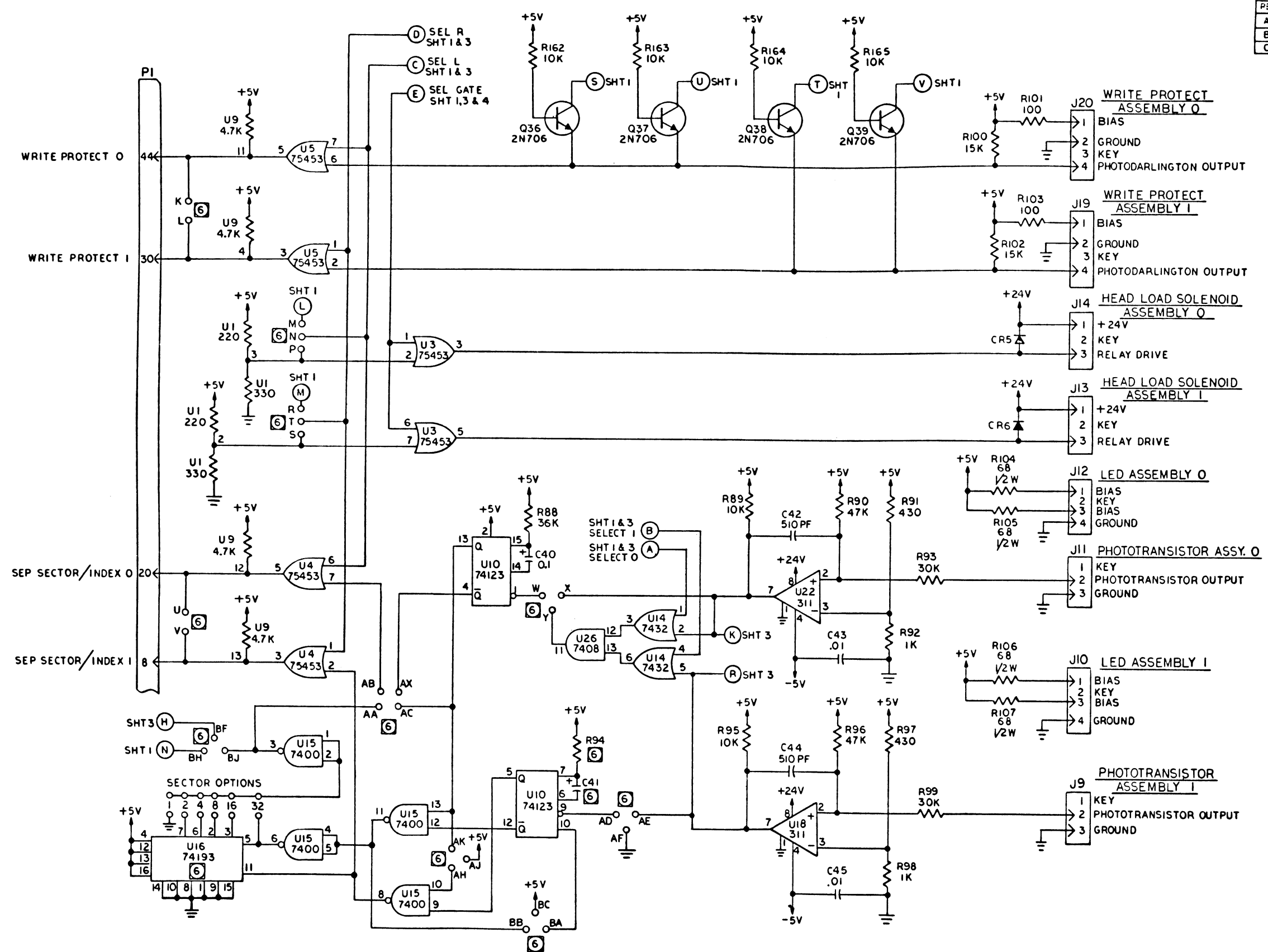
SCALE: _____ APPROVED BY: _____ DRAWN BY: _____

DATE: _____ REVISION: _____

SCHMATIC, PCB., DATA & INTERFACE

MODEL 270 SHT 1 OF 4 200264C

REVISION		200264	C
REV	DESCRIPTION	CHK	DATE APPROVED
A	MFG DEL		
B	ECO #12		
C	ECO #13		



WRITE PROTECT, H. LOAD. INDEX

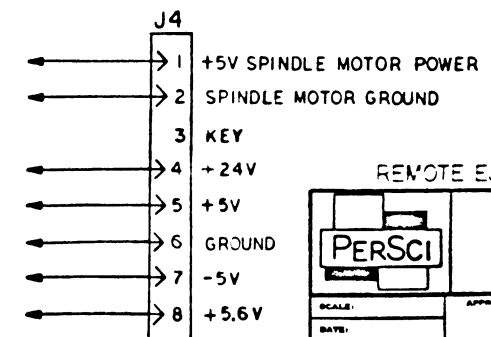
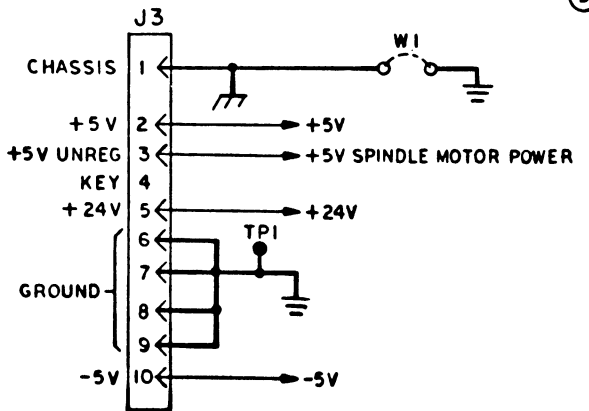
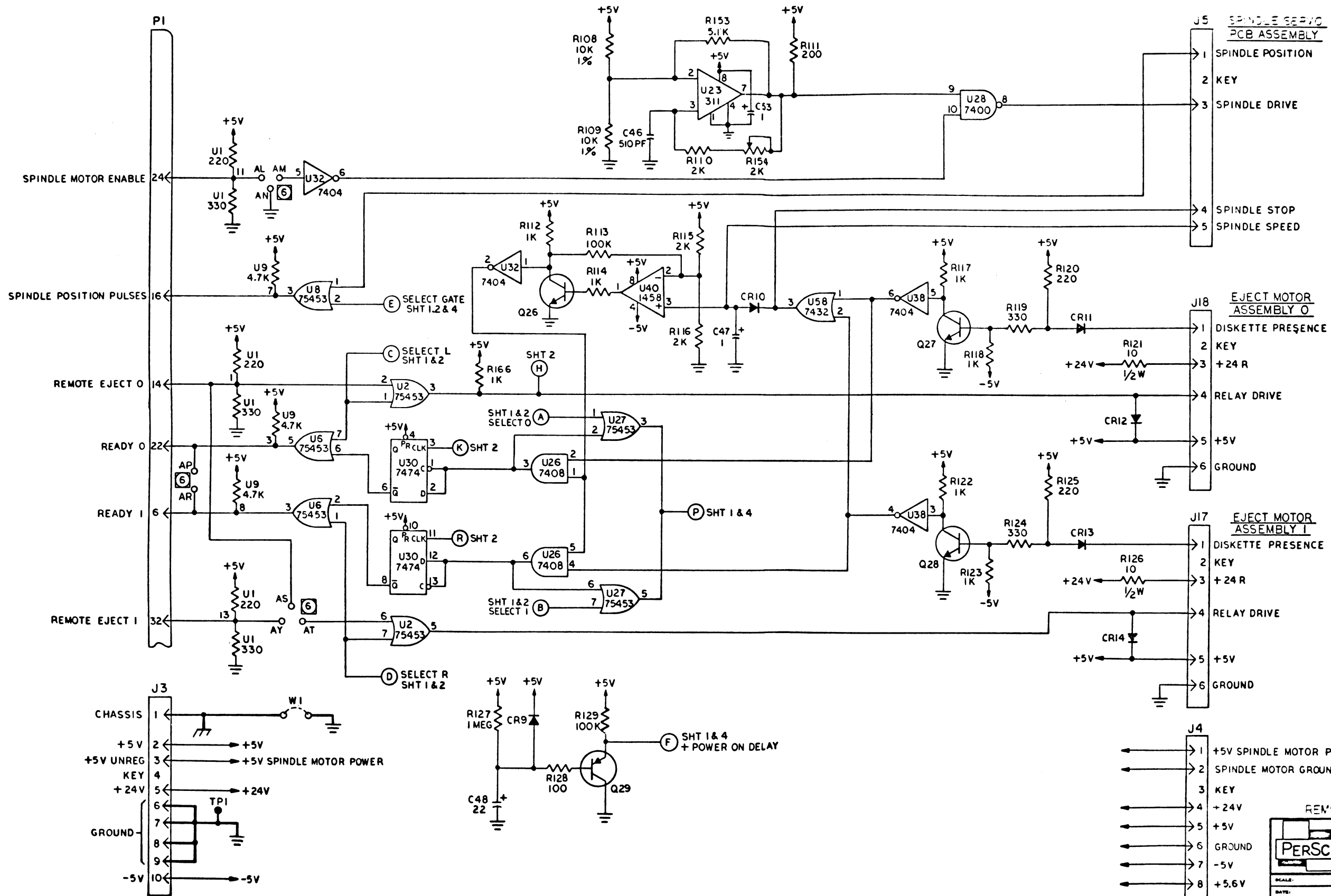
PERSCI, INC.

PERSCI

SCALE:	APPROVED BY:	DRAWN BY:
DATE:	REVISION:	

SCHMATIC, PCB, DATA & INTERFACE

MOD 270 | SHT 20F4 | 200264C



REMOTE EJECT, READY, SPINDLE

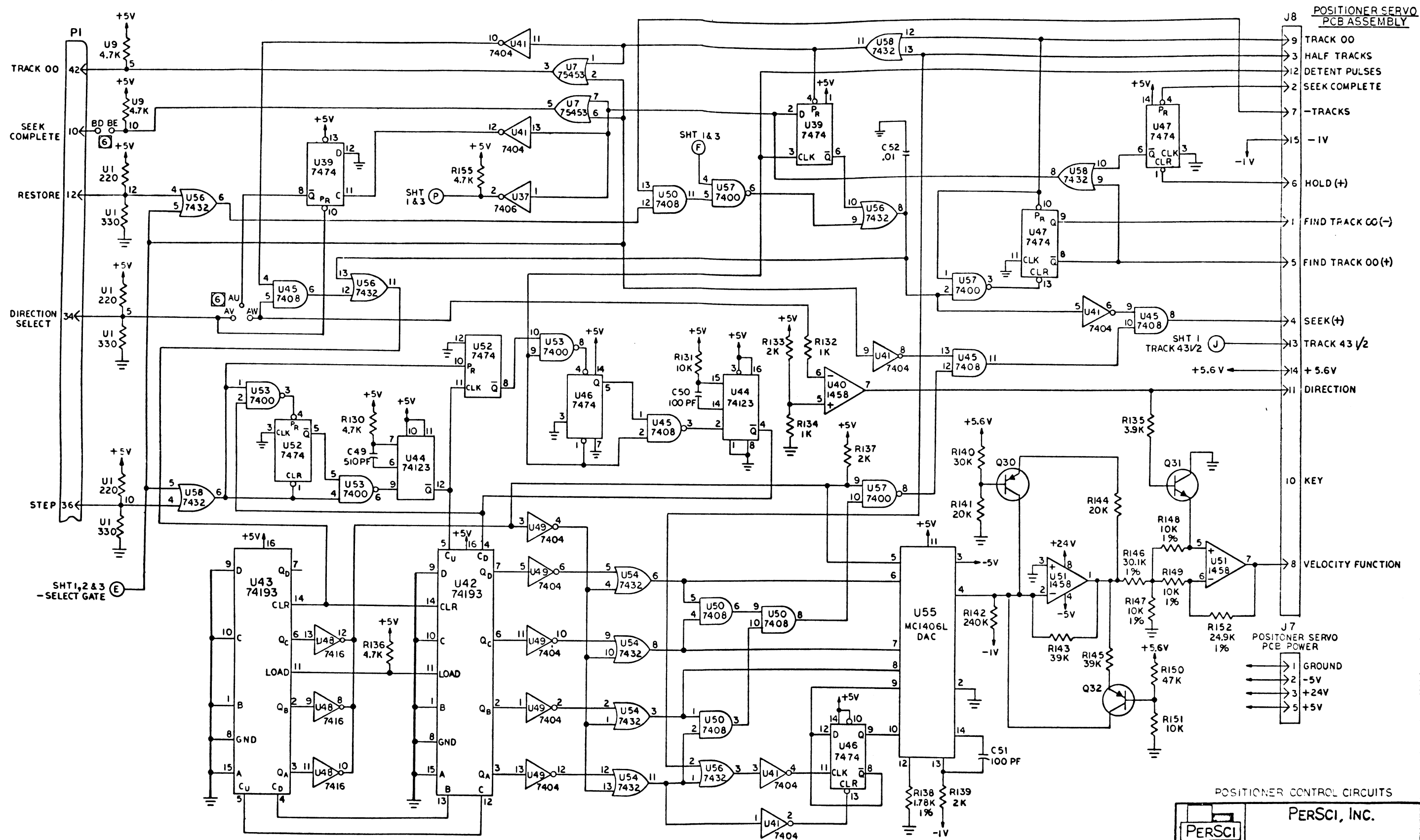
PERSCI, INC.

PERSCI

SCALE: _____ APPROVED BY: _____ DRAWN BY: _____
 DATE: _____ REVISED: _____

SCHMATIC, PCB, DATA & INTERFACE

MOD 270 SHT 3 OF 4 DRAWING NUMBER 200264C



POSITONER CONTROL CIRCUITS

PERSCI, INC.	
SCALE:	APPROVED BY:
DATE:	REVISION:
SCHEMATIC, PCB, DATA & INTERFACE	
MOD 270	SHT 4 OF 4 200264 C