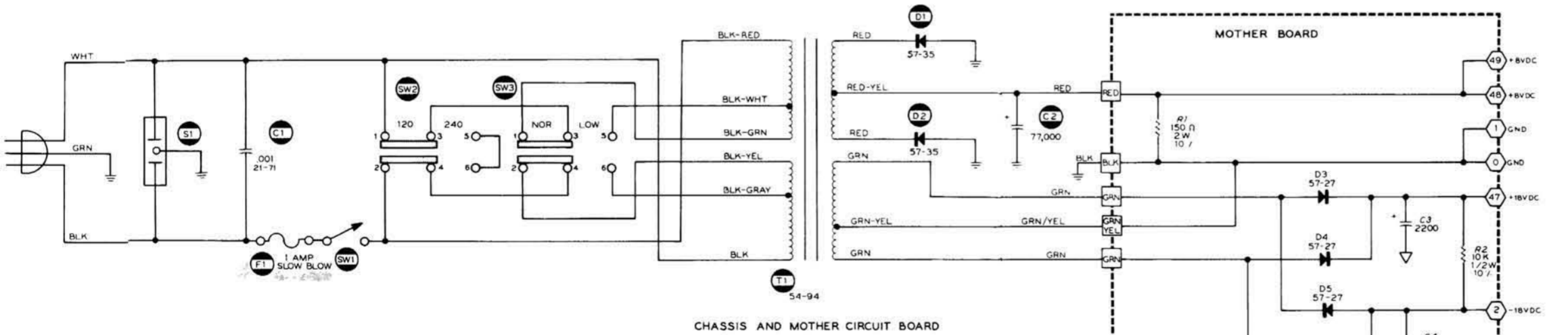


**SCHEMATIC OF THE
HEATHKIT®
MODEL H8 DIGITAL COMPUTER
FRONT PANEL BOARD, MOTHERBOARD,
AND CHASSIS**

- NOTES:
- COMPONENT NUMBERS ARE IN THE FOLLOWING GROUPS:
 - 1- 99 PARTS ON THE CHASSIS AND MOTHER CIRCUIT BOARD.
 - 100-199 PARTS ON THE CONTROL CIRCUIT BOARD.
 - 200-299 PARTS ON THE CPU CIRCUIT BOARD.
 - ALL RESISTORS ARE 1/4-WATT, 5% UNLESS SHOWN OTHERWISE. VALUES ARE SHOWN IN OHMS (K=1000).
 - CAPACITOR VALUES ARE IN MICROFARADS UNLESS SHOWN OTHERWISE.
 - SYMBOLS:
 - INDICATES A LETTERED CIRCUIT BOARD HOLE.
 - ⊗ INDICATES A CONNECTOR SOCKET AND PLUG.
 - ▽ INDICATES CIRCUIT BOARD GROUND.
 - ⊕ INDICATES CHASSIS GROUND.
 - ⊙ INDICATES A CHASSIS MOUNTED COMPONENT.
 - INDICATES THE SYSTEM BUS.
 - PARTS IN THE SHADED AREA ARE CRITICAL TO CONTINUED SAFETY. REPLACE ONLY WITH THE SAME RATED PART, OR WITH THE HEATH COMPANY PART NUMBER, IF SHOWN.
 - ALL WAVEFORMS WERE TAKEN IN THE MONITOR MODE (NO PROGRAM-EXECUTION).
 - Q111-Q118 ARE LED SEGMENT DRIVERS. THE LETTER NEXT TO THE TRANSISTOR INDICATES WHICH SEGMENT THE TRANSISTOR DRIVES.
 - O.C. - OPEN COLLECTOR



Part of 595-2014
Copyright © 1977
Heath Company
All Rights Reserved
Printed in the United States of America