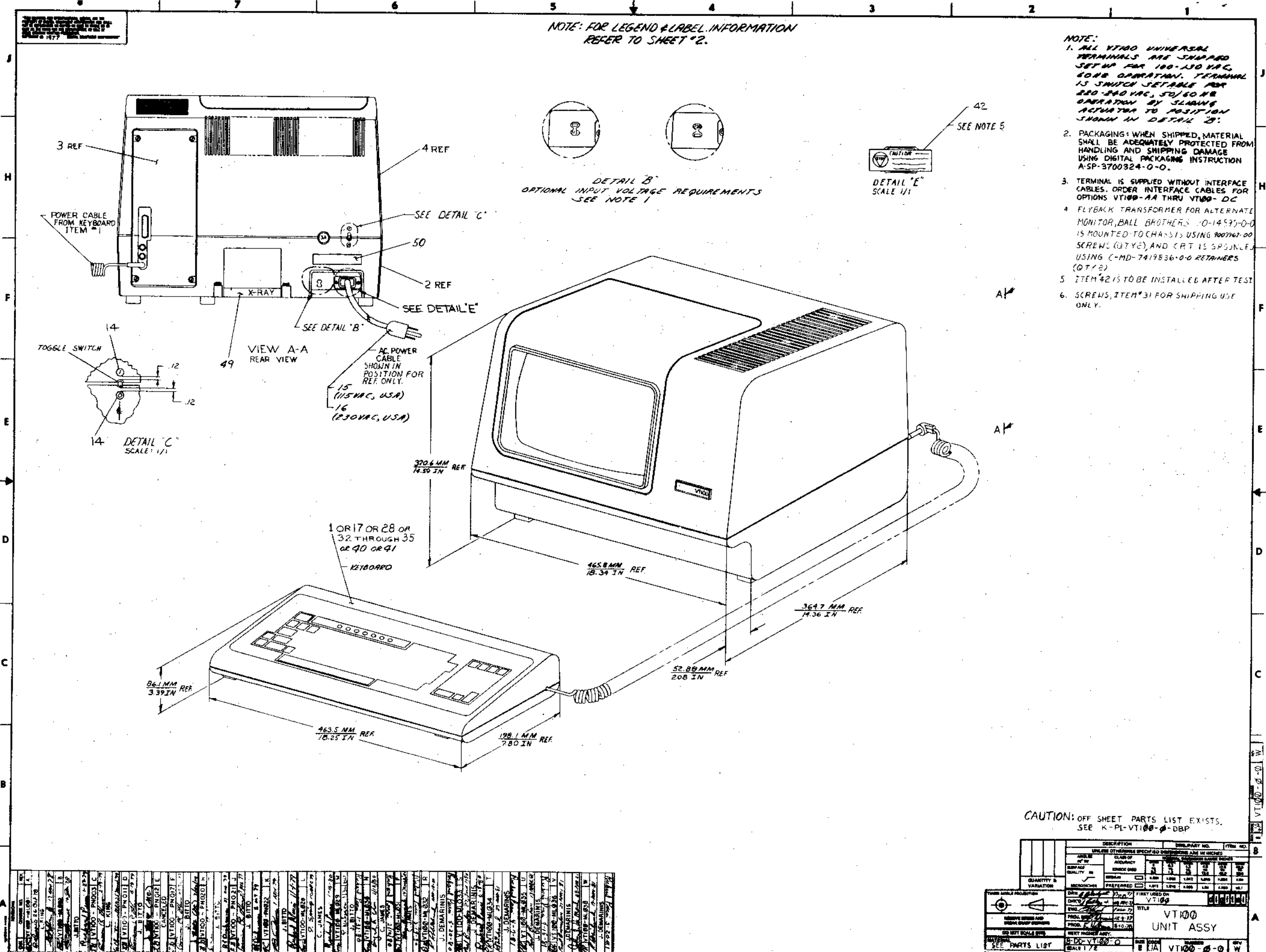


NOTE: FOR LEGEND & LABEL INFORMATION REFER TO SHEET #2.

- NOTE:
1. ALL VT100 UNIVERSAL TERMINALS ARE SHIPPED SET UP FOR 100-130 VAC, 60HZ OPERATION. TERMINAL IS SWITCH SETTABLE FOR 220-240 VAC, 50/60 HZ OPERATION BY SLIDING ACTUATOR TO POSITION SHOWN IN DETAIL 'B'.
 2. PACKAGING: WHEN SHIPPED, MATERIAL SHALL BE ADEQUATELY PROTECTED FROM HANDLING AND SHIPPING DAMAGE USING DIGITAL PACKAGING INSTRUCTION A-SP-3700324-0-0.
 3. TERMINAL IS SUPPLIED WITHOUT INTERFACE CABLES. ORDER INTERFACE CABLES FOR OPTIONS VT100-AA THRU VT100-DC.
 4. FLYBACK TRANSFORMER FOR ALTERNATE MONITOR, BALL BROTHERS 10-14593-0-0 IS MOUNTED TO CHASSIS USING 900767-00 SCREWS (QTYE), AND CRT IS SPRUNG USING C-MD-7419836-0-0 RETAINERS (QTYE).
 5. ITEM 42 IS TO BE INSTALLED AFTER TEST.
 6. SCREWS, ITEM #31 FOR SHIPPING USE ONLY.



CAUTION: OFF SHEET PARTS LIST EXISTS. SEE K-PL-VT100-0-DBP

QTY	DESCRIPTION	UNIT PART NO.	ITEM NO.
1	VT100 UNIT ASSY	VT100-0-0	1
1	KEYBOARD	VT100-KB-0-0	2
1	POWER CABLE	VT100-PC-0-0	3
1	TOGGLE SWITCH	VT100-TS-0-0	4
1	AC POWER CABLE (115VAC, USA)	VT100-AC-15-0-0	15
1	AC POWER CABLE (230VAC, USA)	VT100-AC-16-0-0	16
1	FLYBACK TRANSFORMER	VT100-FB-0-0	4
1	MONITOR	VT100-M-0-0	5
1	CRT	VT100-CRT-0-0	6
1	RETAINERS	VT100-R-0-0	7
1	SCREWS	VT100-S-0-0	8
1	SCREWS	VT100-S-0-0	9
1	SCREWS	VT100-S-0-0	10
1	SCREWS	VT100-S-0-0	11
1	SCREWS	VT100-S-0-0	12
1	SCREWS	VT100-S-0-0	13
1	SCREWS	VT100-S-0-0	14
1	SCREWS	VT100-S-0-0	15
1	SCREWS	VT100-S-0-0	16
1	SCREWS	VT100-S-0-0	17
1	SCREWS	VT100-S-0-0	18
1	SCREWS	VT100-S-0-0	19
1	SCREWS	VT100-S-0-0	20
1	SCREWS	VT100-S-0-0	21
1	SCREWS	VT100-S-0-0	22
1	SCREWS	VT100-S-0-0	23
1	SCREWS	VT100-S-0-0	24
1	SCREWS	VT100-S-0-0	25
1	SCREWS	VT100-S-0-0	26
1	SCREWS	VT100-S-0-0	27
1	SCREWS	VT100-S-0-0	28
1	SCREWS	VT100-S-0-0	29
1	SCREWS	VT100-S-0-0	30
1	SCREWS	VT100-S-0-0	31
1	SCREWS	VT100-S-0-0	32
1	SCREWS	VT100-S-0-0	33
1	SCREWS	VT100-S-0-0	34
1	SCREWS	VT100-S-0-0	35
1	SCREWS	VT100-S-0-0	36
1	SCREWS	VT100-S-0-0	37
1	SCREWS	VT100-S-0-0	38
1	SCREWS	VT100-S-0-0	39
1	SCREWS	VT100-S-0-0	40
1	SCREWS	VT100-S-0-0	41
1	SCREWS	VT100-S-0-0	42

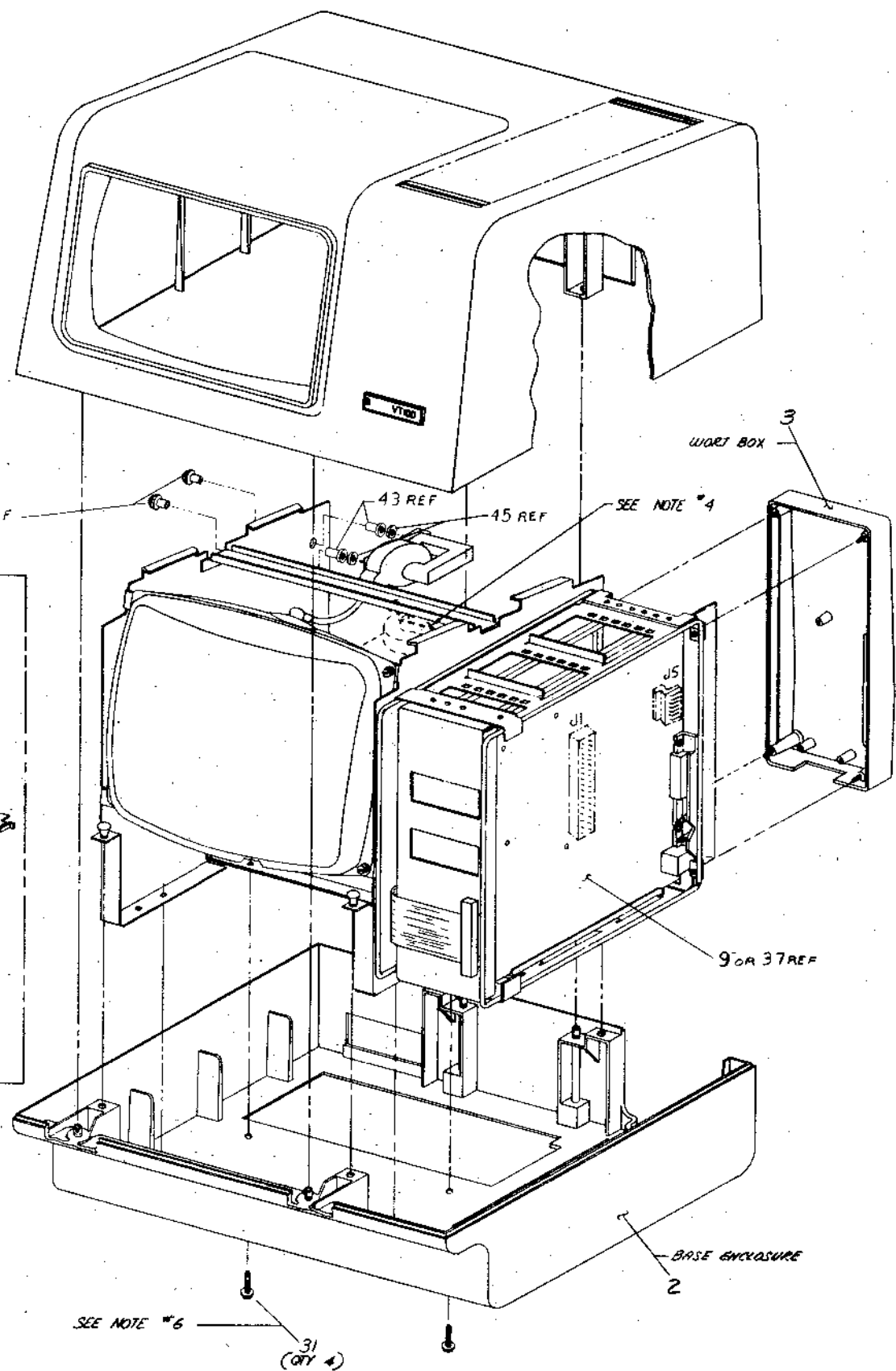
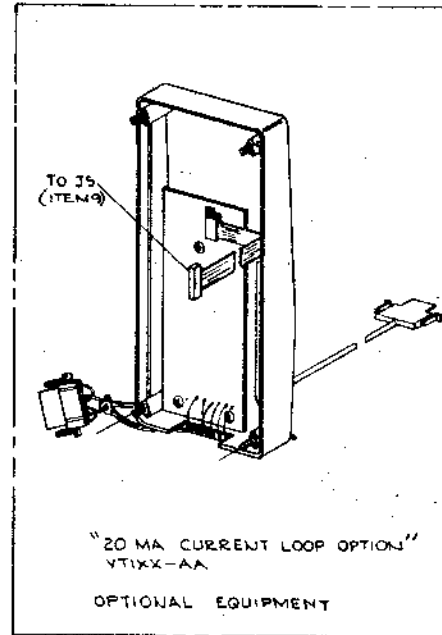
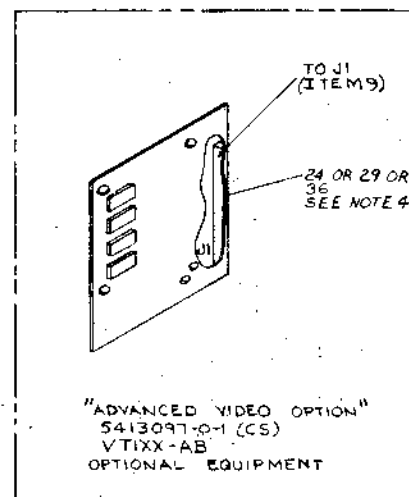
QUANTITY	VARIATION	DESCRIPTION	UNIT PART NO.	ITEM NO.
1		VT100 UNIT ASSY	VT100-0-0	1
1		KEYBOARD	VT100-KB-0-0	2
1		POWER CABLE	VT100-PC-0-0	3
1		TOGGLE SWITCH	VT100-TS-0-0	4
1		AC POWER CABLE (115VAC, USA)	VT100-AC-15-0-0	15
1		AC POWER CABLE (230VAC, USA)	VT100-AC-16-0-0	16
1		FLYBACK TRANSFORMER	VT100-FB-0-0	4
1		MONITOR	VT100-M-0-0	5
1		CRT	VT100-CRT-0-0	6
1		RETAINERS	VT100-R-0-0	7
1		SCREWS	VT100-S-0-0	8
1		SCREWS	VT100-S-0-0	9
1		SCREWS	VT100-S-0-0	10
1		SCREWS	VT100-S-0-0	11
1		SCREWS	VT100-S-0-0	12
1		SCREWS	VT100-S-0-0	13
1		SCREWS	VT100-S-0-0	14
1		SCREWS	VT100-S-0-0	15
1		SCREWS	VT100-S-0-0	16
1		SCREWS	VT100-S-0-0	17
1		SCREWS	VT100-S-0-0	18
1		SCREWS	VT100-S-0-0	19
1		SCREWS	VT100-S-0-0	20
1		SCREWS	VT100-S-0-0	21
1		SCREWS	VT100-S-0-0	22
1		SCREWS	VT100-S-0-0	23
1		SCREWS	VT100-S-0-0	24
1		SCREWS	VT100-S-0-0	25
1		SCREWS	VT100-S-0-0	26
1		SCREWS	VT100-S-0-0	27
1		SCREWS	VT100-S-0-0	28
1		SCREWS	VT100-S-0-0	29
1		SCREWS	VT100-S-0-0	30
1		SCREWS	VT100-S-0-0	31
1		SCREWS	VT100-S-0-0	32
1		SCREWS	VT100-S-0-0	33
1		SCREWS	VT100-S-0-0	34
1		SCREWS	VT100-S-0-0	35
1		SCREWS	VT100-S-0-0	36
1		SCREWS	VT100-S-0-0	37
1		SCREWS	VT100-S-0-0	38
1		SCREWS	VT100-S-0-0	39
1		SCREWS	VT100-S-0-0	40
1		SCREWS	VT100-S-0-0	41
1		SCREWS	VT100-S-0-0	42

REVISIONS TO THIS DRAWING ARE TO BE MADE BY THE ISSUING OFFICE. THE DATE AND REVISION NUMBER SHALL BE SHOWN IN THE REVISIONS TABLE.

LEGEND

SERIAL LABEL INFORMATION

MODEL NUMBER	VARIATIONS	VOLTS	AMPS	PH	HZ	WATTS	WIRES
VT100-AA	DBL KEYBD EIA 115V LINE CORD USA PLUG	120/220/240	2.5/1.3		50/60	300 MAX	
VT100-AB	DBL KEYBD EIA 230V LINE CORD 20A PLUG						
VT100-NA	VT100-AA WITH DEC FORM KEY CAPS						
VT100-NB	VT100-AB WITH DEC FORM KEY CAPS						
VT100-WA	VT100-AA WITH WORD PROCESSING KEYCAPS						
VT100-WB	VT100-AB WITH WORD PROCESSING KEYCAPS						
VT100-WC	VT100 WITH AVO, FR. CANADIAN WP KEYCAPS, FOREIGN LANGUAGE ROMS, & 120V PLUG						
VT100-WD	VT100 WITH AVO, FR. CANADIAN WP KEYCAPS, FOREIGN LANGUAGE ROMS, & 230V 20A PLUG						
VT100-WE	VT100 WITH AVO, FRENCH WP KEYCAPS, FOREIGN LANGUAGE ROMS AND 120V PLUG						
VT100-WF	VT100 WITH AVO, FRENCH WP KEYCAPS, FOREIGN LANGUAGE ROMS, & 230V 20A PLUG						
VT100-WG	VT100 WITH AVO, DUTCH KEYCAPS, FOREIGN LANGUAGE ROMS, AND 120V PLUG						
VT100-WH	VT100 WITH AVO, DUTCH KEYCAPS, FOREIGN LANGUAGE ROMS, & 230V 20A PLUG						
VT100-WJ	VT100 WITH AVO, GERMAN KEYCAPS, FOREIGN LANGUAGE ROMS, & 120 V PLUG						
VT100-WK	VT100 WITH AVO, GERMAN KEYCAPS, FOREIGN LANGUAGE ROMS, & 230V 20A PLUG						
VT100-WY	VT100 WITH AVO, WP KEYCAPS, FOREIGN LANGUAGE ROMS, AND 120 V PLUG						
VT100-WZ	VT100 WITH AVO, WP KEYCAPS, FOREIGN LANGUAGE ROMS, AND 230V 20A PLUG						
VT100-LA	VT100-AA WITH P40 TUBE AND BONDED FACE PLATE						
VT100-LB	VT100-AB WITH P40 TUBE AND BONDED FACE PLATE						
VT100-PA	(PRIVATE BRAND) VT100-AA EXCEPT DARK GREY TRIM, 120V						
VT100-PB	(PRIVATE BRAND) VT100-AB EXCEPT DARK GREY TRIM, 220/240V						
VT100-PC	(PRIVATE BRAND) VT100-PZ WITHOUT ELECTRONICS 120V						
VT100-PD	(PRIVATE BRAND) VT100-PB WITHOUT ELECTRONICS 240V						
VT100-PE	(PRIVATE BRAND) VT100-PA WITHOUT ELECT. & NO KYBD 120V						
VT100-PF	(PRIVATE BRAND) VT100-PB WITHOUT ELECT. & NO KYBD 240V	120/220/240	2.5/1.3		50/60	300 MAX	



REVISIONS TO THIS DRAWING ARE TO BE MADE BY THE ISSUING OFFICE. THE DATE AND REVISION NUMBER SHALL BE SHOWN IN THE REVISIONS TABLE.

REV	DESCRIPTION	DATE	BY
1	ISSUED FOR PRODUCTION		

QUANTITY & VARIATION: 1000

DESCRIPTION: VT100 UNIT ASSY

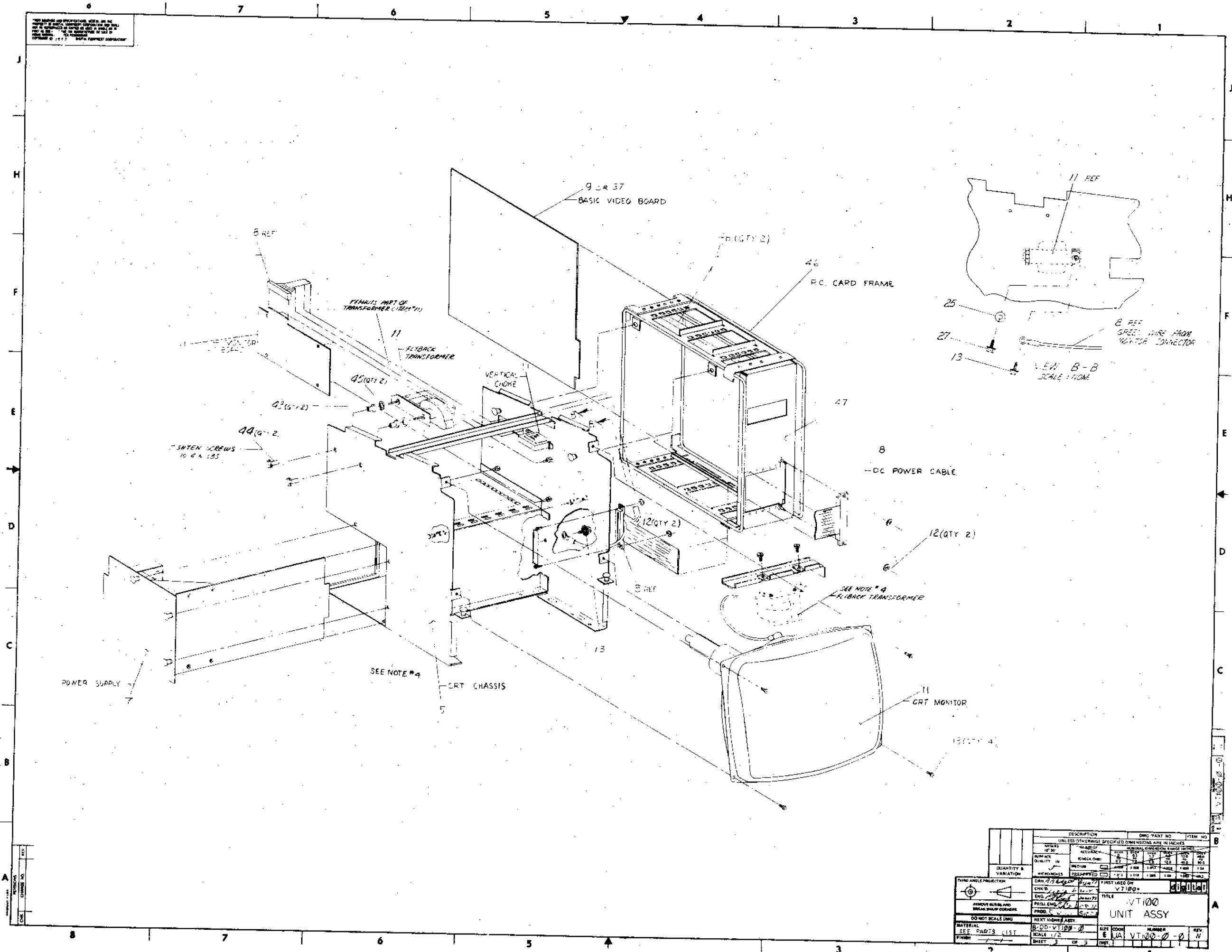
DATE: 10-10-68

BY: [Signature]

SCALE: 1:1

PARTS LIST: SEE PARTS LIST

THIS DRAWING IS UNCLASSIFIED, UNLESS AN ANOTHER INSTRUCTIONS TO THE CONTRARY ARE SPECIFIED IN THE DRAWING OR IN THE PARTS LIST. IT IS THE PROPERTY OF THE U.S. GOVERNMENT AND IS LOANED TO YOU BY THE U.S. GOVERNMENT. IT IS TO BE RETURNED TO THE U.S. GOVERNMENT. FORM NO. 1177-100 (REV. 10-65)



DESCRIPTION		QTY	UNIT NO.	ITEM NO.
UNLESS OTHERWISE SPECIFIED DIMENSIONS ARE IN INCHES				
SIZE	CLASS OF ACCURACY	FINISH	STOCK	DRY
SURFACE QUALITY	CHECK ONE	FINISH	STOCK	DRY
HYPOCYCLES	UNDELETED	FINISH	STOCK	DRY
QUANTITY & VARIATION	DRY	FINISH	STOCK	DRY
REMOVE BURRS AND BREAK SHARP CORNERS	PROBLEMS	FINISH	STOCK	DRY
DO NOT SCALE DIMS	NEXT HIGHER ASSY	FINISH	STOCK	DRY
MATERIAL	SEE PARTS LIST	FINISH	STOCK	DRY
FINISH	DRY	FINISH	STOCK	DRY

DATE	BY	CHKD	ENG	PROB	FRD	DRY
10/10/68	J. J. ...	J. J. ...	J. J. ...	J. J. ...	J. J. ...	J. J. ...
FIRST USED ON		TITLE		NUMBER		REV
VT1000		VT1000 UNIT ASSY		EUA VT1000-0-0		W
SCALE 1/2		SHEET 3 OF 3		DRY		

LINE	ITEM	DOCUMENT NUMBER	PART NUMBER	DESCRIPTION	QUANTITY PER VARIATION												
					RA	AB	NA	NB	WA	WB	WC	WD	WE	WF	WG	WH	
1	1	D-UA-7014653-0-0	7014653-00	KEYBOARD ASSY	1	1	-	-	-	-	-	-	-	-	-	-	-
2	2	E-IA-7014980-0-0	7014980-00	BASE ASSY ENCLOSURE	1	1	1	1	1	1	1	1	1	1	1	1	1
3	3	D-IA-7014976-0-0	7014976-00	WORT BOX ASSY	1	1	1	1	1	1	1	1	1	1	1	1	1
4	4	D-IA-7014974-0-0	7014974-00	ENCLOSURE, CRT TOP ASSY	1	1	1	1	1	1	1	1	1	1	1	1	1
5	5	D-IA-7014975-0-0	7014975-00	CHASSIS, ASSY CRT	1	1	1	1	1	1	1	1	1	1	1	1	1
6	6		7014977-00	*** THIS ITEM IS NOT USED ***	-	-	-	-	-	-	-	-	-	-	-	-	-
7	7	D-AD-7014979-0-0	7014979-00	POWER SUPPLY ASSY	1	1	1	1	1	1	1	1	1	1	1	1	1
8	8	D-IA-7014978-0-0	7014978-01	POWER CABLE ASSY, VT100	1	1	1	1	1	1	1	1	1	1	1	1	1
9	9	D-UA-5413009-0-0	5413009-00	VT100 BASIC VIDEO CONTROLLER	1	1	1	1	1	1	-	-	-	-	-	-	-
10	10		7419836-00	*** THIS ITEM IS NOT USED ***	-	-	-	-	-	-	-	-	-	-	-	-	-
11	11		3016080-00	MONITOR ASSY, CRT, DIRECT DRIVE RA	1	1	1	1	1	1	1	1	1	1	1	1	1
12	12		9010007-00	RING, RETAINING, EXTERNAL FOR 7/8	4	4	4	4	4	4	4	4	4	4	4	4	4
13	13		9009967-00	SCREW, HEX, SLOT, SEMS 6-32X .312L	10	10	10	10	10	10	10	10	10	10	10	10	10
14	14		3615680-00	LABEL, ADHESIVE, BACK, SWITCH POSIT	1	1	1	1	1	1	1	1	1	1	1	1	1
15	15	A-PS-1700083-0-0	1700083-09	PWR CORD, TERM. 75IN, 18-3, 125V 10	1	-	1	-	1	-	1	-	1	-	1	-	1
16	16	A-PS-1700083-0-0	1700083-10	PWR CORD, TERM. 75IN, 18-3, 250V 6	-	1	-	1	-	1	-	1	-	1	-	1	-
17	17	D-UA-7014653-0-0	7014653-02	KEYBOARD ASSY.	-	-	1	1	-	-	-	-	-	-	-	-	-
18	18		7414213-00	*** THIS ITEM IS NOT USED ***	-	-	-	-	-	-	-	-	-	-	-	-	-
19	19		3613210-D1	*** THIS ITEM IS NOT USED ***	-	-	-	-	-	-	-	-	-	-	-	-	-
20	20		3613210-D2	*** THIS ITEM IS NOT USED ***	-	-	-	-	-	-	-	-	-	-	-	-	-
21	21		3613211-D1	*** THIS ITEM IS NOT USED ***	-	-	-	-	-	-	-	-	-	-	-	-	-
22	22		3700324-00	INSTR PKG DISPLAY VT100	1	1	1	1	1	1	1	1	1	1	1	1	1
23	23	E-UA-VT1XX-AA-0	VT1XX-AA	VT100 20MA CURRENT LOOP OPTION W	REF	REF	REF	REF	REF	REF	REF	REF	REF	REF	REF	REF	REF
24	24	A-PL-VT1XX-AB-0	VT1XX-AB	ADVANCED VIDEO OPTION FOR VT100	REF	REF	REF	REF	REF	REF	-	-	-	-	-	-	-
25	25		9006659-00	WASHER, FLAT, .375 O.D. X .156 I	1	1	1	1	1	1	1	1	1	1	1	1	1
26	26		9007649-00	*** THIS ITEM IS NOT USED ***	-	-	-	-	-	-	-	-	-	-	-	-	-
27	27		9010112-00	SCREW, TAPPING, TYPE B, HEX, SLOT,	1	1	1	1	1	1	1	1	1	1	1	1	1
28	28	E-UA-7014653-0-0	7014653-03	KEYBOARD ASSY.	-	-	-	-	1	1	-	-	-	-	-	-	-
29	29	D-CS-5413097-0-1	5413097-00	VT100 ADVANCED VIDEO	-	-	-	-	1	1	-	-	-	-	-	-	-
30	30		9009313-01	SUPPORT, C. BD., FLAME RET., NATURAL	-	-	-	-	4	4	4	4	4	4	4	4	4

REVISION HISTORY		BASIC PART NO: VT100		DRN: B. BLODGETT DATE: 3-SEP-77		D I G I T A L	
ENG	ECO NUMBER	REV	SECTION A OF B	CHK'D:	DATE:	TITLE	PARTS LIST
GB	VT100-MLO34	T	SECTION. VARIATION INDEX	D. HEALY	24-SEP-77	VT100 UNIT ASSY.	
JD	VT100-MLO35	U	(A) AA, AB, NA, NB, WA, WB,				
JD	VT100-MLO36	V	WC, WD, WE, WF, WG, WH				
JD	VT100-MLO38	W	(B) WJ, WK, WY, WZ, LA, LB,	E. WEDEKING	26-JUN-78		
			PA, PB, PC, PD, PE, PF				
			(C)				DOCUMENT NUMBER
			(D)	G. DOUMANI	26-JUN-78		SIZE CODE NUMBER REV
			(E)				
			(F)	K. HOFFMAN	7-JUL-78		K PL VT100-0-DBP W
ASSEMBLY NUMBER: E-UA-VT100-0-0		TOP DOCUMENT NUMBER: #B-DD-VT100-0		FILE NAME: Z1607W.PLS		EDIT #: 15	

"THIS DRAWING AND SPECIFICATIONS HEREIN, ARE THE PROPERTY OF DIGITAL EQUIPMENT CORPORATION AND SHALL NOT BE REPRODUCED OR COPIED OR USED IN WHOLE OR IN PART AS THE BASIS FOR THE MANUFACTURE OR SALE OF ITEMS WITHOUT WRITTEN PERMISSION. COPYRIGHT (C) 1981. DIGITAL EQUIPMENT CORPORATION"

AUTOMATED BY PRTLST.3P(44)

PARTS LIST

SHEET A2 OF A2

LINE	ITEM	DOCUMENT NUMBER	PART NUMBER	DESCRIPTION	QUANTITY PER VARIATION											
					AA	AB	NA	NB	WA	WB	WC	WD	WE	WF	WG	WH
31	31		9010135-00	SCREW, FLAT, SLOT 8-32X 1/2	4	4	4	4	4	4	4	4	4	4	4	4
32	32	E-UA-7014653-0-0	7014653-05	KEYBD ASSY FR CANADIAN WP KEYCAP	-	-	-	-	-	-	1	1	-	-	-	-
33	33	E-UA-7014653-0-0	7014653-06	KEYBD ASSY FRENCH + WP KEYCAPS	-	-	-	-	-	-	-	-	1	1	-	-
34	34	E-UA-7014653-0-0	7014653-07	KEYBD ASSY DUTCH WP KEYCAPS	-	-	-	-	-	-	-	-	-	-	1	1
35	35	E-UA-7014653-0-0	7014653-08	*** THIS ITEM IS NOT USED ***	-	-	-	-	-	-	-	-	-	-	-	-
36	36	D-UA-5413097-0-0	5413097-03	VT100 ADVANCED VIDEO	-	-	-	-	-	-	1	1	1	1	1	1
37	37	D-UA-5413009-0-0	5413009-02	VT100 BASIC VIDEO	-	-	-	-	-	-	1	1	1	1	1	1
38	38		3016080-53	*** THIS ITEM IS NOT USED ***	-	-	-	-	-	-	-	-	-	-	-	-
39	39	D-IA-7014974-0-0	7014974-02	*** THIS ITEM IS NOT USED ***	-	-	-	-	-	-	-	-	-	-	-	-
40	40	D-UA-7014653-0-0	7014653-10	*** THIS ITEM IS NOT USED ***	-	-	-	-	-	-	-	-	-	-	-	-
41	41	D-UA-7014653-0-0	7014653-09	*** THIS ITEM IS NOT USED ***	-	-	-	-	-	-	-	-	-	-	-	-
42	42		3616157-00	LABEL, CORRECT VOLTAGE SETTING, CA	1	1	1	1	1	1	1	1	1	1	1	1
43	43	B-IA-7423018-0-0	7423018-00	ISOLATION MOUNT.	2	2	2	2	2	2	2	2	2	2	2	2
44	44	B-MD-7423006-0-0	7423006-00	SCREW, HEX WASHER HD, 4-40	2	2	2	2	2	2	2	2	2	2	2	2
45	45		9008193-00	WASHER, NYLON, FLAT .312 X .812	2	2	2	2	2	2	2	2	2	2	2	2
46	46	E-IA-7016624-0-0	7016624-00	FRAME, PC CARD ASSY	1	1	1	1	1	1	1	1	1	1	1	1
47	47	D-IA-7419469-0-0	7419469-00	STOP P.C. CARD	1	1	1	1	1	1	1	1	1	1	1	1
48	48		1212405-00	CARD GUIDE, NYLON	2	2	2	2	2	2	2	2	2	2	2	2
49	49	A-PS-3617544-0-0	3617544-00	LABEL, X-RAY RADIATION	1	1	1	1	1	1	1	1	1	1	1	1
50	50		3617674-01	LABEL, SERIAL & POWER W/UL & CSA	1	1	1	1	1	1	1	1	1	1	1	1

D	I	G	I	T	A	L	TITLE	SECTION A OF B	SIZE	CODE	DOCUMENT NUMBER	REV
							VT100 UNIT ASSY.		K	PL	VT100-0-DBP	W

LINE	ITEM	DOCUMENT NUMBER	PART NUMBER	DESCRIPTION	QUANTITY PER VARIATION											
					WJ	WK	WY	WZ	LA	LB	PA	PB	PC	PD	PE	PF
1	1	D-UA-7014653-0-0	7014653-00	KEYBOARD ASSY.	-	-	-	-	1	1	-	-	-	-	-	-
2	2	E-IA-7014980-0-0	7014980-00	BASE ASSY ENCLOSURE	1	1	1	1	1	1	1	1	1	1	1	1
3	3	D-IA-7014976-0-0	7014976-00	WORT BOX ASSY	1	1	1	1	1	1	1	1	1	1	1	1
4	4	D-IA-7014974-0-0	7014974-00	ENCLOSURE, CRT TOP ASSY	1	1	1	1	1	1	-	-	-	-	-	-
5	5	D-IA-7014975-0-0	7014975-00	CHASSIS ASSY CRT	1	1	1	1	1	1	1	1	1	1	1	1
6	6		7014977-00	*** THIS ITEM IS NOT USED ***	-	-	-	-	-	-	-	-	-	-	-	-
7	7	D-AD-7014979-0-0	7014979-00	POWER SUPPLY ASSY	1	1	1	1	1	1	1	1	1	1	1	1
8	8	D-IA-7014978-0-0	7014978-01	POWER CABLE ASSY. VT100	1	1	1	1	1	1	1	1	1	1	1	1
9	9	D-UA-5413009-0-0	5413009-00	VT100 BASIC VIDEO CONTROLLER	-	-	-	-	1	1	1	1	-	-	-	-
10	10		7419836-00	*** THIS ITEM IS NOT USED ***	-	-	-	-	-	-	-	-	-	-	-	-
11	11		3016080-00	MONITOR ASSY, CRT, DIRECT DRIVE RA	1	1	1	1	-	-	1	1	1	1	1	1
12	12		9010007-00	RING, RETAINING, EXTERNAL FOR 7/6	4	4	4	4	4	4	4	4	4	4	4	4
13	13		9009967-00	SCREW, HEX, SLOT, SEMS 6-32X .312L	10	10	10	10	10	10	10	10	10	10	10	10
14	14		3615680-00	LABEL, ADHESIVE, BACK, SWITCH POSIT	1	1	1	1	1	1	1	1	1	1	1	1
15	15	A-PS-1700083-0-0	1700083-09	PWR CORD, TERM. 75IN, 18-3, 125V 10	1	-	1	-	1	-	1	-	1	-	1	-
16	16	A-PS-1700083-0-0	1700083-10	PWR CORD, TERM. 75IN, 18-3, 250V 6	-	1	-	1	-	1	-	1	-	1	-	1
17	17	D-UA-7014653-0-0	7014653-02	*** THIS ITEM IS NOT USED ***	-	-	-	-	-	-	-	-	-	-	-	-
18	18		7414213-00	*** THIS ITEM IS NOT USED ***	-	-	-	-	-	-	-	-	-	-	-	-
19	19		3613210-01	*** THIS ITEM IS NOT USED ***	-	-	-	-	-	-	-	-	-	-	-	-
20	20		3613210-02	*** THIS ITEM IS NOT USED ***	-	-	-	-	-	-	-	-	-	-	-	-
21	21		3613211-01	*** THIS ITEM IS NOT USED ***	-	-	-	-	-	-	-	-	-	-	-	-
22	22		3700324-00	INSTR PKG DISPLAY VT100	1	1	1	1	1	1	1	1	1	1	1	1
23	23	E-UA-VT1XX-AA-0	VT1XX-AA	VT100 20MA CURRENT LOOP OPTION W	REF	REF	REF	REF	REF	REF	REF	REF	REF	REF	REF	REF
24	24	A-PL-VT1XX-AB-0	VT1XX-AB	ADVANCED VIDEO OPTION FOR VT100	-	-	-	-	REF	REF	REF	REF	REF	REF	REF	REF
25	25		9006659-00	WASHER, FLAT, .375 O.D. X .156 I	1	1	1	1	1	1	1	1	1	1	1	1
26	26		9007649-00	*** THIS ITEM IS NOT USED ***	-	-	-	-	-	-	-	-	-	-	-	-
27	27		9010112-00	SCREW, TAPPING, TYPE B, HEX, SLOT,	1	1	1	1	1	1	1	1	1	1	1	1
28	28	E-UA-7014653-0-0	7014653-03	KEYBOARD ASSY.	-	-	1	1	-	-	-	-	-	-	-	-
29	29	D-CS-5413097-0-1	5413097-00	*** THIS ITEM IS NOT USED ***	-	-	-	-	-	-	-	-	-	-	-	-
30	30		9009313-01	SUPPORT, C.BD., FLAME RET., NATURAL	4	4	4	4	-	-	-	-	-	-	-	-

REVISION HISTORY		BASIC PART NO: VT100		DRN: B. BLODGETT	DATE: 3-SEP-77	D I G I T A L	
ENG:	ECO NUMBER	REV	SECTION B OF B	CHK'D: D. HEALY	DATE: 24-SEP-77	TITLE PARTS LIST	
GB	VT100-MLO34	T	SECTION. VARIATION INDEX			VT100 UNIT ASSY.	
JD	VT100-MLO35	U	(A) AA, AB, NA, NB, WA, WB,				
JD	VT100-MLO36	V	WC, WD, WE, WF, WG, WH				
JD	VT100-MLO38	W	(B) WJ, WK, WY, WZ, LA, LB,	DES. ENG.: E. WEDEKING	DATE: 26-JUN-78		
			(C) PA, PB, PC, PD, PE, PF			DOCUMENT NUMBER	
			(D)	RESP. ENG.: G. DOUMANI	DATE: 26-JUN-78	SIZE: CODE: NUMBER REV	
			(E)	MFG. ENG.: K. HOFFMAN	DATE: 7-JUL-78	K	PL VT100-0-DBP W
			(F)	ASSEMBLY NUMBER: E-UA-VT100-0-0	TOP DOCUMENT NUMBER: #B-DD-VT100-0	FILE NAME: 21607W.PLS	EDIT #: 15

"THIS DRAWING AND SPECIFICATIONS HEREIN, ARE THE PROPERTY OF DIGITAL EQUIPMENT CORPORATION AND SHALL NOT BE REPRODUCED OR COPIED OR USED IN WHOLE OR IN PART AS THE BASIS FOR THE MANUFACTURE OR SALE OF ITEMS WITHOUT WRITTEN PERMISSION. COPYRIGHT (C) 1981. DIGITAL EQUIPMENT CORPORATION"

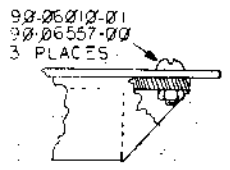
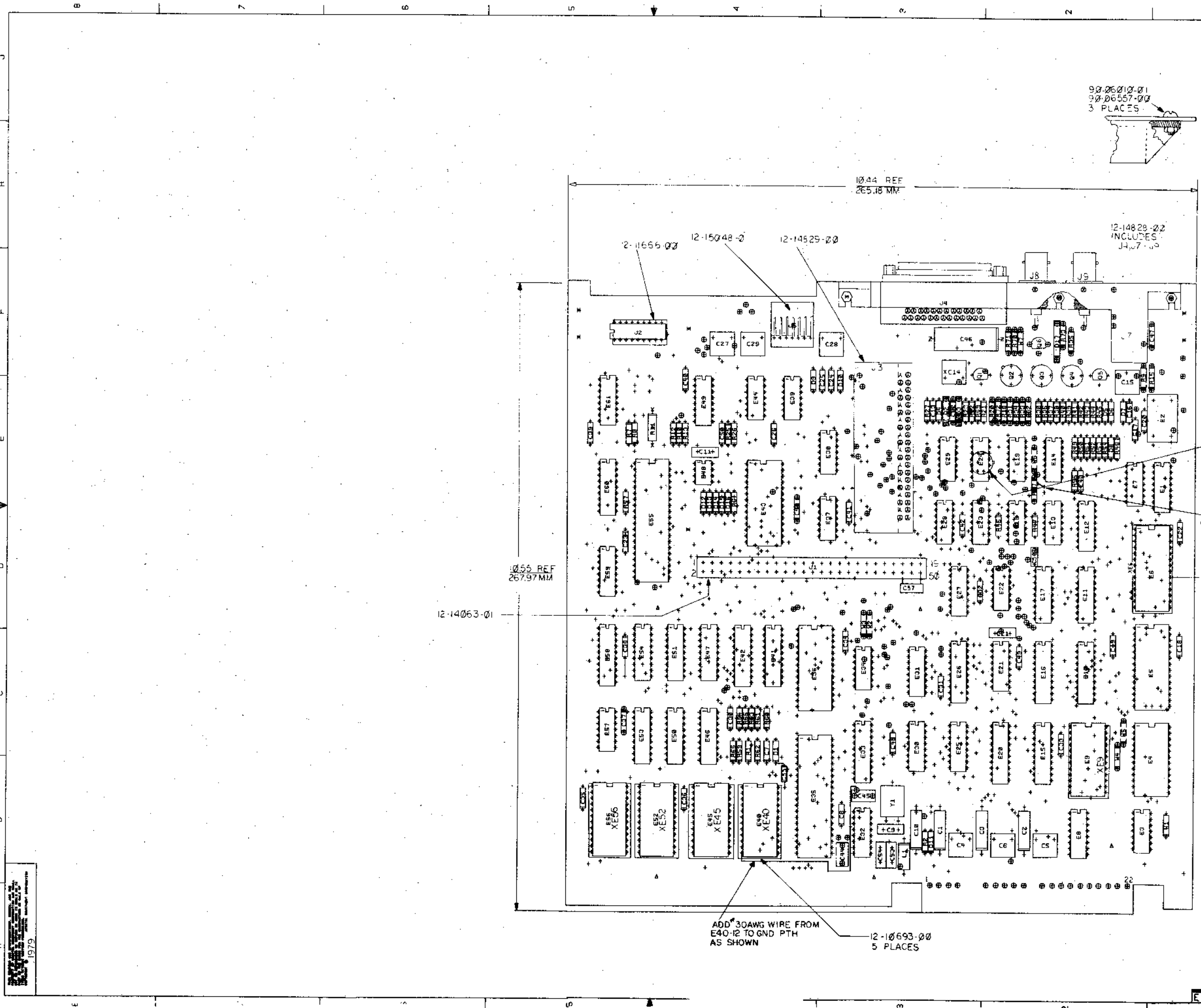
AUTOMATED BY PRTLST.3P(44)

PARTS LIST

SHEET B2 OF B2

LINE	ITEM	DOCUMENT NUMBER	PART NUMBER	DESCRIPTION	QUANTITY PER VARIATION											
					WJ	WK	WY	WZ	LA	LB	PA	PB	PC	PD	PE	PF
31	31		9010135-00	SCREW FLAT SLOT 8-32X 1/2	4	4	4	4	4	4	4	4	4	4	4	4
32	32	E-UA-7014653-0-0	7014653-05	*** THIS ITEM IS NOT USED ***	-	-	-	-	-	-	-	-	-	-	-	-
33	33	E-UA-7014653-0-0	7014653-06	*** THIS ITEM IS NOT USED ***	-	-	-	-	-	-	-	-	-	-	-	-
34	34	E-UA-7014653-0-0	7014653-07	*** THIS ITEM IS NOT USED ***	-	-	-	-	-	-	-	-	-	-	-	-
35	35	E-UA-7014653-0-0	7014653-08	KEYBD ASSY GERMAN WP KEYCAPS	1	1	-	-	-	-	-	-	-	-	-	-
36	36	D-UA-5413097-0-0	5413097-03	VT100 ADVANCED VIDEO	1	1	1	1	-	-	-	-	-	-	-	-
37	37	D-UA-5413009-0-0	5413009-02	VT100 BASIC VIDEO	1	1	1	1	-	-	-	-	-	-	-	-
38	38		3016080-53	MONITOR ASSY W/P40PHOSPHOR CRT N	-	-	-	-	1	1	-	-	-	-	-	-
39	39	D-IA-7014974-0-0	7014974-02	ENCLOSURE CRT TOP ASSY W/DK. GRA	-	-	-	-	-	-	1	1	1	1	1	1
40	40	D-UA-7014653-0-0	7014653-10	KEYBD ENCLOSURE ASSY NO KEYBD	-	-	-	-	-	-	-	1	1	1	1	1
41	41	D-UA-7014653-0-0	7014653-09	KEYBD/KEYCAP ASSY DARK GRAY	-	-	-	-	-	-	1	1	1	1	1	1
42	42		3616157-00	LABEL CORRECT VOLTAGE SETTING, CA	1	1	1	1	1	1	1	1	1	1	1	1
43	43	B-IA-7423018-0-0	7423018-00	ISOLATION MOUNT.	2	2	2	2	2	2	2	2	2	2	2	2
44	44	B-MD-7423006-0-0	7423006-00	SCREW, HEX WASHER HD, 4-40	2	2	2	2	2	2	2	2	2	2	2	2
45	45		9008193-00	WASHER, NYLON, FLAT .312 X .612	2	2	2	2	2	2	2	2	2	2	2	2
46	46	E-IA-7016624-0-0	7016624-00	FRAME, PC CARD ASSY	1	1	1	1	1	1	1	1	1	1	1	1
47	47	D-IA-7419469-0-0	7419469-00	STOP P.C. CARD	1	1	1	1	1	1	1	1	1	1	1	1
48	48		1212405-00	CARD GUIDE, NYLON	2	2	2	2	2	2	2	2	2	2	2	2
49	49	A-PS-3617544-0-0	3617544-00	LABEL, X-RAY RADIATION	1	1	1	1	1	1	1	1	1	1	1	1
50	50		3617674-01	LABEL, SERIAL & POWER W/UL & CSA	1	1	1	1	1	1	1	1	1	1	1	1

D	I	G	I	T	A	L	TITLE	VT100 UNIT ASSY.	SECTION B	OF B	SIZE	CODE	DOCUMENT NUMBER	REV
											K	PL	VT100-0-DBP	W



1979

SIGNATURES		DATE	15679
DIR. JOHN POWERS		CHK. BY	7287
ENGR. [Signature]		DATE	7/87
PROJ. [Signature]		SCALE	1:1
TITLE		VT-1000	
BASIC VIDEO		NUMBER	15413009-00
CATEGORY		U.S. AIA	5413009-00
SMT. 2		DE	
NEXT NUMBER		REV. 1	00.51.10000 0
P.C. DESIGN UNIT BASE REV. 01			

CHANGES NO. REV.			
1	1	13000	
2	1	13000	
3	1	13000	
4	1	13000	
5	1	13000	
6	1	13000	
7	1	13000	
8	1	13000	
9	1	13000	
10	1	13000	
11	1	13000	
12	1	13000	
13	1	13000	
14	1	13000	
15	1	13000	
16	1	13000	
17	1	13000	
18	1	13000	
19	1	13000	
20	1	13000	

NOTES:

1-24 PIN 210523 CAN BE EITHER
FLAT OR ROUND TOP
2-REV. 3 CREATES IDLESS VARIATION-35

EIA 5413009-00

LINE	ITEM	DOCUMENT NUMBER	PART NUMBER	DESCRIPTION	QTY PER VARIATION				REFERENCE DESIGNATOR
					00	01	02	99	
1	1	D-MD-5013008-0-0	5013008-00	VT100 BASIC VIDEO	1	1	1	1	
2	2		1000005-00	6.8 MMF 100V 5%200PPM MICA	1	1	1	1	C9
3	3		1000014-00	68.0 MMF 100V 5%200PPM MICA	1	1	1	1	C11
4	4		1000016-00	100.0 MMF 100V 5%200PPM MICA	2	2	2	2	C21, C54
5	5		1000076-00	39 MFD 10V 10% S.TANT	1	1	1	1	C10
6	6		1005306-00	6.8MFD 35V 10% S.TANT	3	3	3	3	C1, C2, C3
7	7		1010274-01	.22 MFD 50V +80-20% Z5U CER	12	12	12	12	C4-C6, C14, C15, C27-C29, C44, C45, C55, C56
8	9	SEE NOTE	1012784-00	.047 MFD 50V +80-20% CER	26	26	26	26	C7, C8, C13, C18-C20, C22, C24, C25, C30-C43, C48-C50
9	10	SEE NOTE	1013466-12	2200.0 MMF 50V 10% X7R CER	1	1	1	1	C26
10	11		1100114-00	D 664 QS\75PCB PIV= 25V SP	11	11	11	11	D4-D8, D11-D16
11	12		1105796-00	IN 4004 PIV=400 I= 1A D041 SP	2	2	2	2	D9, D10
12	13		1109502-03	IN 4742A VZ= 12.0 5% 1W	1	1	1	1	D3
13	14		1110994-00	IN 751A VZ= 5.1 5% .40W	1	1	1	1	D1
14	15		1114974-00	IN 4741A VZ= 11.0 5% 1W	1	1	1	1	D2
15	16		1215006-06	SOCKET 24PIN IC LOW PROFILE	5	5	5	5	XE9, XE40, XE45, XE52, XE56
16	17		1211666-00	SOCKET 18PIN IC LOW PROFILE	1	1	1	1	J2
17	18		1214063-01	HEADER.150 50POS STRAIGHT	1	1	1	1	J1
18	19		1214828-00	CONN, 25POS RCPT	1	1	1	1	J4
19	20		1214829-00	CONN, 40POS RT ANGLE	1	1	1	1	J3
20	21		1215048-01	CONN 7POS RT ANGLE	1	1	1	1	J5
21	22		1300005-07	R NETWORK 15-4.7K 5.0% 16PIN	3	3	3	3	E8, E12, E59
22	23		1300219-00	68.0 .25 W 5.0% CC	1	1	1	1	R40
23	24		1300229-00	100.0 .25 W 5.0% CC	1	1	1	1	R34
24	25		1300250-00	150.0 .25 W 5.0% CC	1	1	1	1	R51
25	26		1300271-00	220.0 .25 W 5.0% CC	1	1	1	1	R41
26	27		1300295-00	330.0 .25 W 5.0% CC	3	3	3	3	R1, R46, R47
27	28		1300315-00	470.0 .50 W 5.0% CC	1	1	1	1	R11
28	29		1300316-00	470.0 .25 W 5.0% CC	2	2	2	2	R21, R55

REVISION HISTORY		BASIC PART NO: 5413009		DRN: T. SHETRAWSKI DATE: 30-MAR-78		D I G I T A L	
ENG	ECO NUMBER	REV	SECTION A OF A	CHK'D:	DATE:	TITLE	PARTS LIST
RP	5413009-PN009	M	SECTION VARIATION INDEX	T. SHETRAWSKI	11-MAR-78	VT100 BASIC VIDEO	
JD	5413009-PN010	N	[A] 00,01,02,99				
	5413009-MLO11	P	[B]				
RP	MLO12	R	[C]				
CJ	5413009-MLO13	S	[D]	DES.ENG: D. PUCCI	30-MAR-78		
RP	5413009-MLO14	T	[E]				
RP	5413009-MLO15	U	[F]	RESP.ENG.: D. PUCCI	30-MAR-78	DOCUMENT NUMBER	
RP	5413009-MLO16	V	[H]				
DP	5413009-MLO17	W	[J]			SIZE CODE NUMBER	REV
DP	5413009-MLO18	Y	[K]	MFG.ENG.: T. CORCIARI	30-MAR-78	K PL 5413009-0-DBP	AA
JD	5413009-MLO19	Z	[L]				
RP	5413009-MLO20	AA	[M]	ASSEMBLY NUMBER: E-UA-5413009-0-0	TOP DOCUMENT NUMBER: B-DD-5413009-0-0	FILE NAME: MLO1AA.PLS	EDIT # 11
			[N]				

"THIS DRAWING AND SPECIFICATIONS HEREIN, ARE THE PROPERTY OF DIGITAL EQUIPMENT CORPORATION AND SHALL NOT BE REPRODUCED OR COPIED OR USED IN WHOLE OR IN PART AS THE BASIS FOR THE MANUFACTURE OR SALE OF ITEMS WITHOUT WRITTEN PERMISSION. COPYRIGHT (C) 1981. DIGITAL EQUIPMENT CORPORATION"

LINE	ITEM	DOCUMENT NUMBER	PART NUMBER	DESCRIPTION	QTY PER VARIATION				REFERENCE DESIGNATOR
					00	01	02	99	
29	30		1300365-00	1.0 K .25 W 5.0 % CC	2	2	2	2	R36, R67
30	31		1300398-00	1.80 K .25 W 5.0 % CC	1	1	1	1	R31
31	32		1300417-00	2.20 K .25 W 5.0 % CC	5	5	5	5	R18, R20, R22, R23, R27
32	33		1300426-00	2.70 K .25 W 5.0 % CC	1	1	1	1	R7
33	34		1300447-00	4.70 K .25 W 5.0 % CC	1	1	1	1	R25
34	35	SEE NOTE	1300479-00	10.0 K .25 W 5.0 % CC	4	4	4	4	R2, R6, R12, R26
35	36		1301317-00	10.0 .25 W 5.0 % CC	1	1	1	1	R57
36	37		1301422-00	7.50 K .25 W 5.0 % CC	8	8	8	8	R59-R66
37	38		1301424-00	680.0 .25 W 5.0 % CC	1	1	1	1	R37
38	39		1301425-00	300.0 .25 W 5.0 % CC	1	1	1	1	R50
39	40		1301475-00	1.10 K .25 W 5.0 % CC	1	1	1	1	R32
40	42	SEE NOTE	1301874-00	5.60 K .25 W 5.0 % CC	1	1	1	1	R9
41	43	SEE NOTE	1301972-00	270.0 .25 W 5.0 % CC	1	1	1	1	R38
42	44		1302379-00	75.0 .25 W 5.0 % CC	4	4	4	4	R35, R45, R52, R54
43	45		1302391-00	20.0 K .25 W 5.0 % CC	2	2	2	2	R43, R46
44	47		1303178-00	620.0 .25 W 5.0 % CC	1	1	1	1	R49
45	48		1303187-00	820.0 K .25 W 5.0 % CC	1	1	1	1	R8
46	49		1304833-00	1.96 K .25 W 1.0 % RN550-F10	1	1	1	1	R15
47	51		1313580-00	360.0 .25 W 5.0 % CC	1	1	1	1	R39
48	52		1314673-00	36.0 .25 W 5.0 % CC	1	1	1	1	R53
49	53		1501913-00	2N 2904A PNP 600MW SI 60 40 Y	3	3	3	3	Q2, Q3, Q4
50	54		1503409-00	DEC65340 PNP 310MW SI 40 90	1	1	1	1	Q1
51	55	SEE NOTE	1509524-00	2N 3904 NPN 310MW SI 40 40 M	1	1	1	1	Q5
52	56		1810694-06	XTAL 24.8832 MHZ	1	1	1	1	Y1
53	57		1814830-00	OSCILLATOR, XTAL 24.073 MHZ	1	1	1	1	E2
54	58		1909686-00	7404 INVERTER GATE-HEX 1I	1	1	1	1	E38
55	59		1909928-00	7416 INVERTER GATE-HEX 1I	2	2	2	2	E14, E18
56	60		1909929-00	7417 BUFFER GATE-HEX 1INP	1	1	1	1	E29
57	61		1910236-00	DEC 7426 NAND GATE-QUAD 2IN, 0	1	1	1	1	E7
58	62		1910322-00	DEC 1488L DRIVER, LINE, QUAD, EI	1	1	1	1	E39
59	63		1910548-00	74S157 MUX 1 OF 2 (QUAD)	1	1	1	1	E1
60	64		1912697-00	LS174 FF-D HEX W/CLEAR	2	2	2	2	E49, E61
61	65		1912799-00	LS00 NAND-GATE-QUAD 2IN, P	2	2	2	2	E23, E34
62	66		1912803-00	6S04 INVERTER GATE, HEL	1	1	1	1	E19
63	67		1912815-00	LS30 NAND GATE-SINGLE 8IN	1	1	1	1	E3
64	68		1912818-00	LS38 NAND BUFFER-QUAD 2IN	1	1	1	1	E28
65	69		1912824-00	LS74 FF-D DUAL, EDGE TRIGG	2	2	2	2	E13, E22
66	70		1912842-00	LS138 DECODER-THREE INPUT,	1	1	1	1	E27
67	71		1912843-00	LS139 DECODER, 2 OF 4 (DUAL	1	1	1	1	E31
68	72		1912854-00	LS193 COUNTER, SYNCHR, 4BIT,	3	3	3	3	E21, E25, E30
69	73		1912863-00	LS273 FF-D OCTAL W/CLEAR	2	2	2	2	E16, E20
70	74		1913105-00	PB 8224C DRIVER/GEN CLOCK F	1	1	1	1	E32
71	75		1913109-00	8228 BUFFER, DATA BASE FOR	1	1	1	1	E36
72	76		1913130-00	DEC 1489A RECEIVER, LINE, QUAD,	2	2	2	2	E37, E44
73	77		1914084-00	74S299 SHIFT REG, 8BIT RIGH	1	1	1	1	E10
74	78		1914156-00	LM 393 VOLT. COMPARATOR DUAL	1	1	1	1	E48
75	79		1914213-00	81LS97 BUFFER GATE-OCTAL 2I	4	4	4	4	E15, E41, E42, E58
76	80		1914214-00	LS374 FF-D OCTAL EDGE TRIG	2	2	2	2	E26, E33

D	I	G	I	T	A	L	TITLE	SECTION A OF A	SIZE	CODE	DOCUMENT NUMBER	REV
							VT100 BASIC VIDEO		K	PL	5413009-0-DBP	AA

LINE	ITEM	DOCUMENT NUMBER	PART NUMBER	DESCRIPTION	QTY PER VARIATION				REFERENCE DESIGNATOR
					00	01	02	99	
77	81		1914423-01	CUSTOM LSI-BIPOLAR LS	1	1	1	1	E6
78	82		1914424-01	CUSTOM LSI-BIPOLAR L	1	1	1	1	E5
79	83		2112623-02	DUAL BAUD RATE GEN/PROG DIVIDER	1	1	1	1	E60
80	84		2113106-01	1K MOS RAM 250NS	2	2	2	2	E11,E17
81	85		2113107-01	P 8251A PUSART COMM. INTERFA	1	1	1	1	E43
82	86		2113108-01	8080A-1 MICROPROCESSOR UNIT	1	1	1	1	E35
83	87		2113937-00	UART 125K BUAD	1	1	1	1	E55
84	88		2114212-00	P 2114-2 RAM,1024X4,STATIC	6	6	6	6	E46,E47,E50,E51,E53,E54
85	89		2114524-01	ROM 100X14BIT,ERASABLE,	1	1	1	1	E24
86	90		23018E2-00	E2-03	1	1	1	1	E4
87	91		9006010-01	SCREW,PAN,PHIL 4-40X 5/16 SS	3	3	3	3	
88	92		9006557-00	NUT,KEP 4-40X 1/4 AF	3	3	3	3	
89	93		3009185-00	JUMPER, WIRE, INSULATED, BLACK B	4	4	4	4	W1,W3,W4,W7
90	95		23061E2-00	E2-02	1	-	-	-	E56
91	96		23032E2-00	E2-02	1	-	-	-	E52
92	97		23033E2-00	E2-02	1	-	-	-	E45
93	98		23034E2-00	E2-02	1	-	-	-	E40
94	102		1001610-00	.01 MFD 50V +80-20% 25U CER	4	4	4	4	C16,C17,C23,C51
95	103		1301320-00	1.20 K .25 W 5.0 % CC	1	1	1	1	R30
96	104		1301322-00	180.0 .25 W 5.0 % CC	1	1	1	1	R33
97	105		1301477-00	82.0 .25 W 5.0 % CC	1	1	1	1	R42
98	106		1300202-00	47.0 .25 W 5.0 % CC	1	1	1	1	R44
99	107		1303155-00	21.50 K .25 W 1.0 % RN55D-F10	1	1	1	1	R10
100	108		1309412-00	18.20 K .25 W 1.0 % RN55D-F10	1	1	1	1	R13
101	109		1609620-00	2.2 UH #RFS2.2	1	1	1	1	L1
102	110		1002608-00	18.0 MMF 100V 55200PPM MICA	1	1	1	1	C53
103	112		1013466-05	56.0 MMF 50V 5% CER	1	1	1	1	C47
104	113		23180E2-00	E2-02	-	1	1	-	E56
105	114		23181E2-00	E2-02	-	1	1	-	E52
106	115		23182E2-00	E2-02	-	1	1	-	E45
107	116		23183E2-00	E2-02	-	1	1	-	E40
108	117		1215006-07	SOCKET 28PIN IC LOW PROFILE	1	1	1	1	XE6
109	118		23094E2-00	E2-03,E2-04	-	-	1	-	E9
110	119	A-SP-3700553-0-0	3700553-00	PKG MODULE 5413009	REF	REF	REF	REF	
111	120	A-SP-3700428-0-0	3700428-00	INSTR PKG. BULK CARTON 99-06476-	REF	REF	REF	REF	
112	121		1300005-03	R NETWORK 13-10K 5.0 % 14PIN	1	1	1	1	E57
113	122		9105740-55	WIRE(WRAP)30AWG UL1423	A/R	A/R	A/R	A/R	
114	123		1000021-00	220.0 MMF 100V 5%200PPM MICA	1	1	1	1	C57
115	124		9107560-01	WIRE,BUSS,22AWG	A/R	A/R	A/R	A/R	

116 NOTE: THE FOLLOWING COMPONENTS ARE OPTIONAL AND ARE NOT TO BE INSERTED:
 117 NOTE: C46 PART #1001796, C52 PART #1012784,
 118 NOTE: Q17 PART #1110766, R71 PART #1300479, R69,R72 PART #1301808,
 119 NOTE: R73 PART #1301874, R70 PART #1301972, Q6 PART #1509524,

D	I	G	I	T	A	L	TITLE	VT100 BASIC VIDEO	SECTION A OF A	SIZE	CODE	DOCUMENT NUMBER	REV
										K	PL	5413009-0-DBP	AA

AUTOMATED BY PRTLST.1D(11)

PARTS LIST

SHEET A4 OF A4

LINE ITEM DOCUMENT NUMBER

PART NUMBER

DESCRIPTION

QTY PER VARIATION

00 01 02 99 REFERENCE DESIGNATOR

120 NOTE: FOR INDIVIDUAL FIELD SERVICE/CUSTOMER SPARES SHIPMENTS USE PACKAGING INSTRUCTION, A-SP-3700553-0-0;
121 NOTE: FOR BULK INTERPLANT SHIPMENTS USE PACKAGING INSTRUCTION, A-SP-3700428-0-0 VARIATION -02

D	I	G	I	T	A	L	TITLE	VT100 BASIC VIDEO	SECTION A	OF A	SIZE	CODE	DOCUMENT NUMBER	REV
											K	FL	5413009-0-DBP	AA

THIS DRAWING AND SPECIFICATIONS HEREIN ARE THE PROPERTY OF DIGITAL EQUIPMENT CORPORATION AND SHALL NOT BE REPRODUCED OR COPIED OR USED IN WHOLE OR IN PART AS THE BASIS FOR THE MANUFACTURE OR SALE OF ITEMS WITHOUT WRITTEN PERMISSION.
 COPYRIGHT © 1975 DIGITAL EQUIPMENT CORPORATION

1-0-6002179 SC 2

ADVANCED VIDEO CONN.

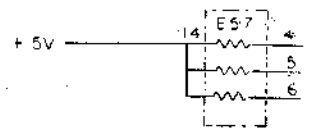
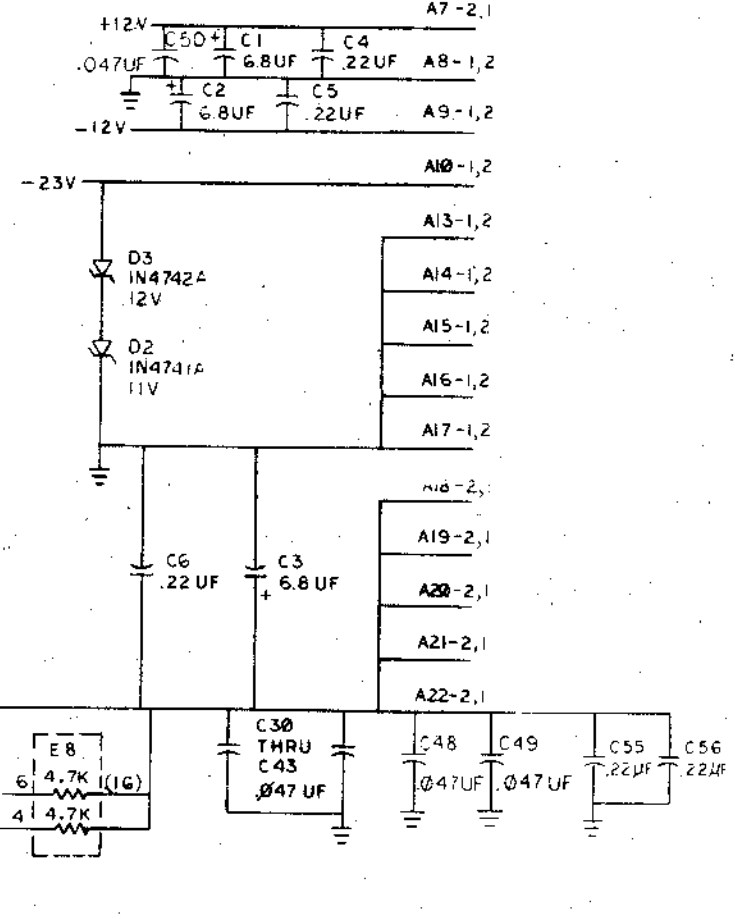
- A00 H 31
- A01 H 29
- A02 H 26
- A03 H 21
- A04 H 27
- A05 H 24
- A06 H 26
- A07 H 23
- A08 H 20
- A09 H 19
- A10 H 25
- A11 H 22
- A12 H 24
- A13 H 28
- A14 H 32
- A15 H 30
- DB 00 H 5
- DB 01 H 7
- DB 02 H 8
- DB 03 H 3
- DB 04 H 3
- DB 05 H 4
- DB 06 H 6
- DB 07 H 6
- BV4 DMA ENA L 3
- BV4 HOLD REQ H 4
- BV6 MEM RD L 1
- BV6 MEM WR L 2
- BV1 MEM DISABLE L 7
- BV2 SEL ATT RAM L 13
- BV2 SEL 8-12K L 18
- LBA 0 H 4
- LBA 1 H 4
- LBA 2 H 4
- LBA 3 H 4
- LBA 4 H 4
- LBA 5 H 4
- LBA 6 H 4
- LBA 7 H 4
- BV4 WRITE LB L 4
- BV4 CHAR CLK H 4
- BV1 BOLD L 4
- BV1 BLINK L 4
- BV1 UNDERLINE L 4
- BV1 ALT CHAR SET L 4
- +5V 4
- GND 4
- BV1 ADVANCED VIDEO L 4

GRAPHICS CONN

- DO 07 H 1
- DO 06 H 2
- DO 05 H 3
- DO 04 H 4
- DO 03 H 5
- DO 02 H 6
- DO 01 H 7
- DO 00 H 8
- BV4 HS CLK H 9
- BV1 GRAPHICS FLAG L 1
- BV1 GRAPHICS 2 IN L 2
- BV4 INIT H 3
- BV4 HORIZ BLANK H 4
- BV2 GRAPHICS WR L 5
- BV4 VERT BLANK L 6
- BV1 GRAPHICS 1 IN L 7

EDGE CONN

- BV4 HORIZ DRIVE H A1-1,2
- A2-1,2
- DIRECT DRIVE VIDEO A3-2,1
- BV4 VERT DRIVE L A4-2,1
- LBA 5 H A11-1,2
- A7-2,1
- A8-1,2
- A9-1,2
- A10-1,2
- A13-1,2
- A14-1,2
- A15-1,2
- A16-1,2
- A17-1,2
- A19-2,1
- A20-2,1
- A21-2,1
- A22-2,1



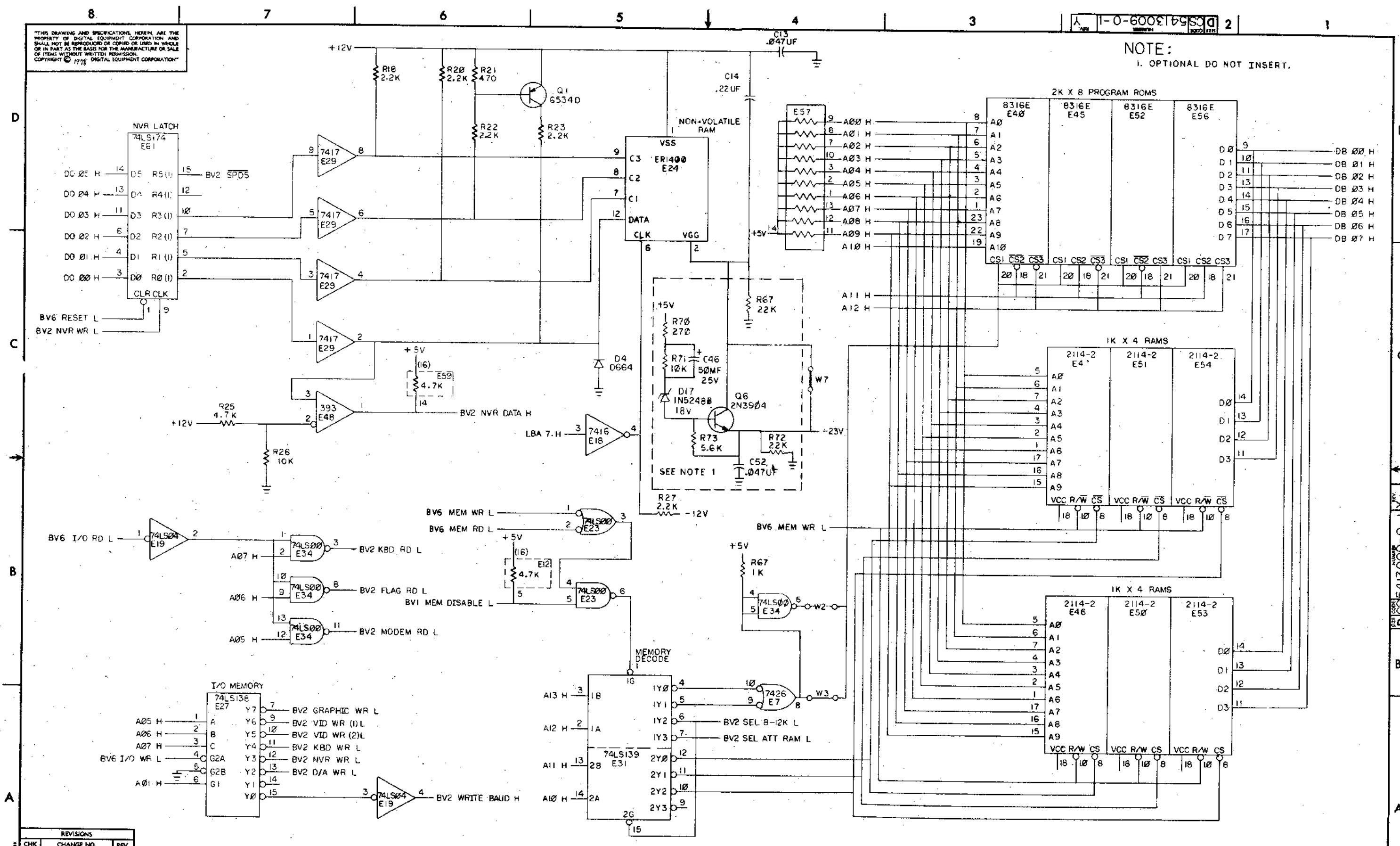
REV	CHG	BY	DATE	DESCRIPTION
1		R. PUCCI	11-15-78	INITIAL DESIGN
2		R. PUCCI	11-15-78	REVISED
3		R. PUCCI	11-15-78	REVISED
4		R. PUCCI	11-15-78	REVISED
5		R. PUCCI	11-15-78	REVISED
6		R. PUCCI	11-15-78	REVISED
7		R. PUCCI	11-15-78	REVISED
8		R. PUCCI	11-15-78	REVISED

DRN. <i>[Signature]</i>	2-1-78	FIRST USED ON	VT100
CHK'D. <i>[Signature]</i>	3/1/78	TITLE	BASIC VIDEO
ENG'G. <i>[Signature]</i>	3/1/78	SCALE	1 OF 6
PROJ. ENG. <i>[Signature]</i>	1/1/78	SHEET	1 OF 6
NEXT HIGHER ASSY.		SIZE CODE	D CS 5413009-0-1
E-LA-5413009-0-0		NUMBER	1
SCALE		REV.	Y

THIS DRAWING AND SPECIFICATIONS HEREIN ARE THE PROPERTY OF DIGITAL EQUIPMENT CORPORATION AND SHALL NOT BE REPRODUCED OR COPIED OR USED IN WHOLE OR IN PART AS THE BASIS FOR THE MANUFACTURE OR SALE OF ITEMS WITHOUT WRITTEN PERMISSION. COPYRIGHT © 1978 DIGITAL EQUIPMENT CORPORATION

1-0-600913009-0-1

NOTE:
1. OPTIONAL DO NOT INSERT.

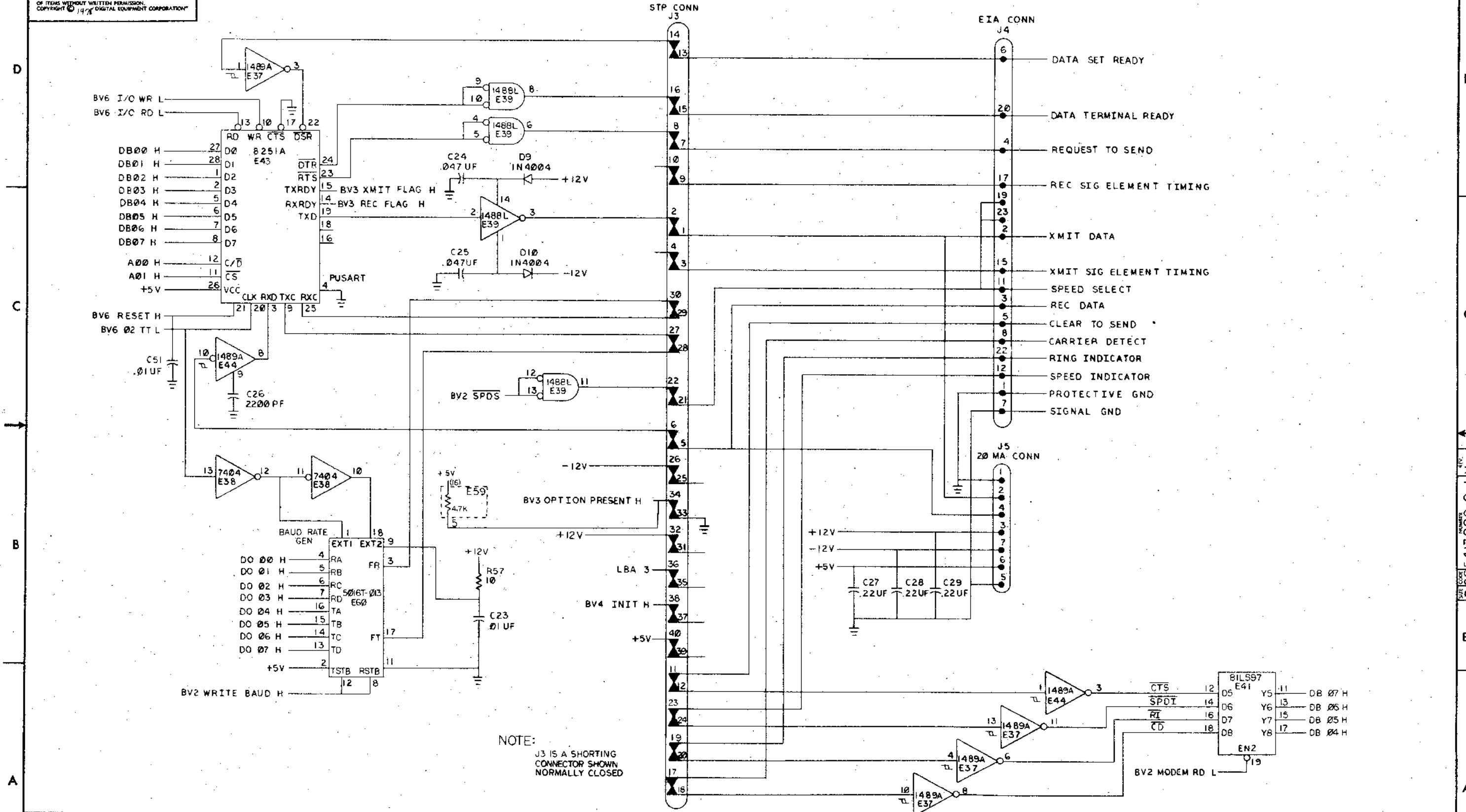


REVISIONS		
CHK	CHANGE NO.	REV.

TITLE	VT100 BASIC VIDEO (BV2)	SIZE CODE	D CS	NUMBER	5413009-0-1	REV.	Y*
SCALE	+	SHEET	2	OF	6	DIST.	

FILE LOCAL NUMBER DCS5413009-0-1 Y*

THIS DRAWING AND SPECIFICATIONS HEREIN ARE THE PROPERTY OF DIGITAL EQUIPMENT CORPORATION AND SHALL NOT BE REPRODUCED OR COPIED OR USED IN WHOLE OR IN PART AS THE BASIS FOR THE MANUFACTURE OR SALE OF ITEMS WITHOUT WRITTEN PERMISSION. COPYRIGHT © 1977 DIGITAL EQUIPMENT CORPORATION

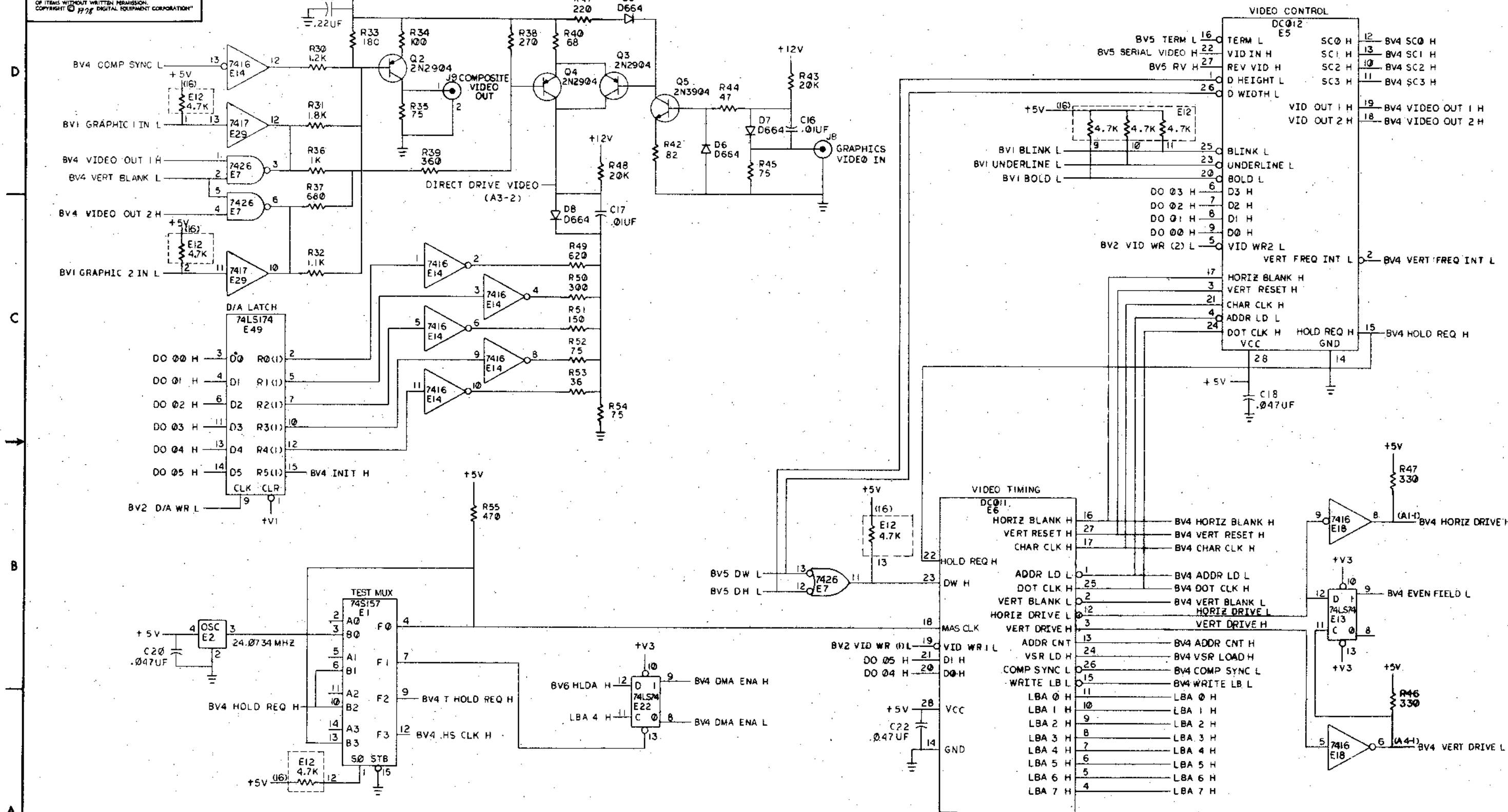


NOTE:
J3 IS A SHORTING
CONNECTOR SHOWN
NORMALLY CLOSED

REVISIONS		
CHK	CHANGE NO.	REV.

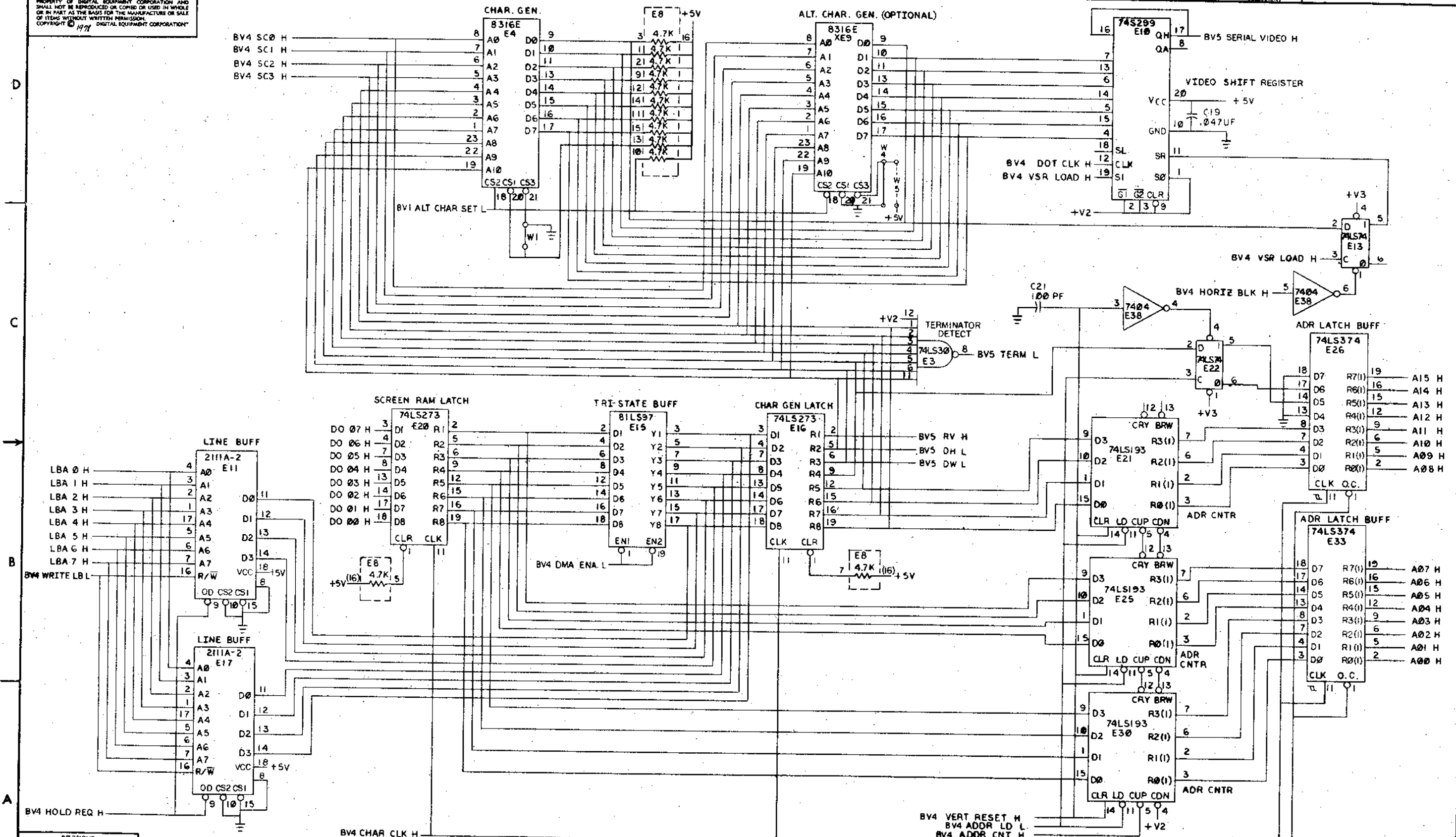
DCS 5413009-0-1 Y

THIS DRAWING AND SPECIFICATIONS, HEREIN, ARE THE PROPERTY OF DIGITAL EQUIPMENT CORPORATION AND SHALL NOT BE REPRODUCED OR COPIED OR USED IN WHOLE OR IN PART AS THE BASIS FOR THE MANUFACTURE OR SALE OF ITEMS WITHOUT WRITTEN PERMISSION. COPYRIGHT © 1978 DIGITAL EQUIPMENT CORPORATION



REVISIONS table with columns for CHK, CHANGE NO., and REV.

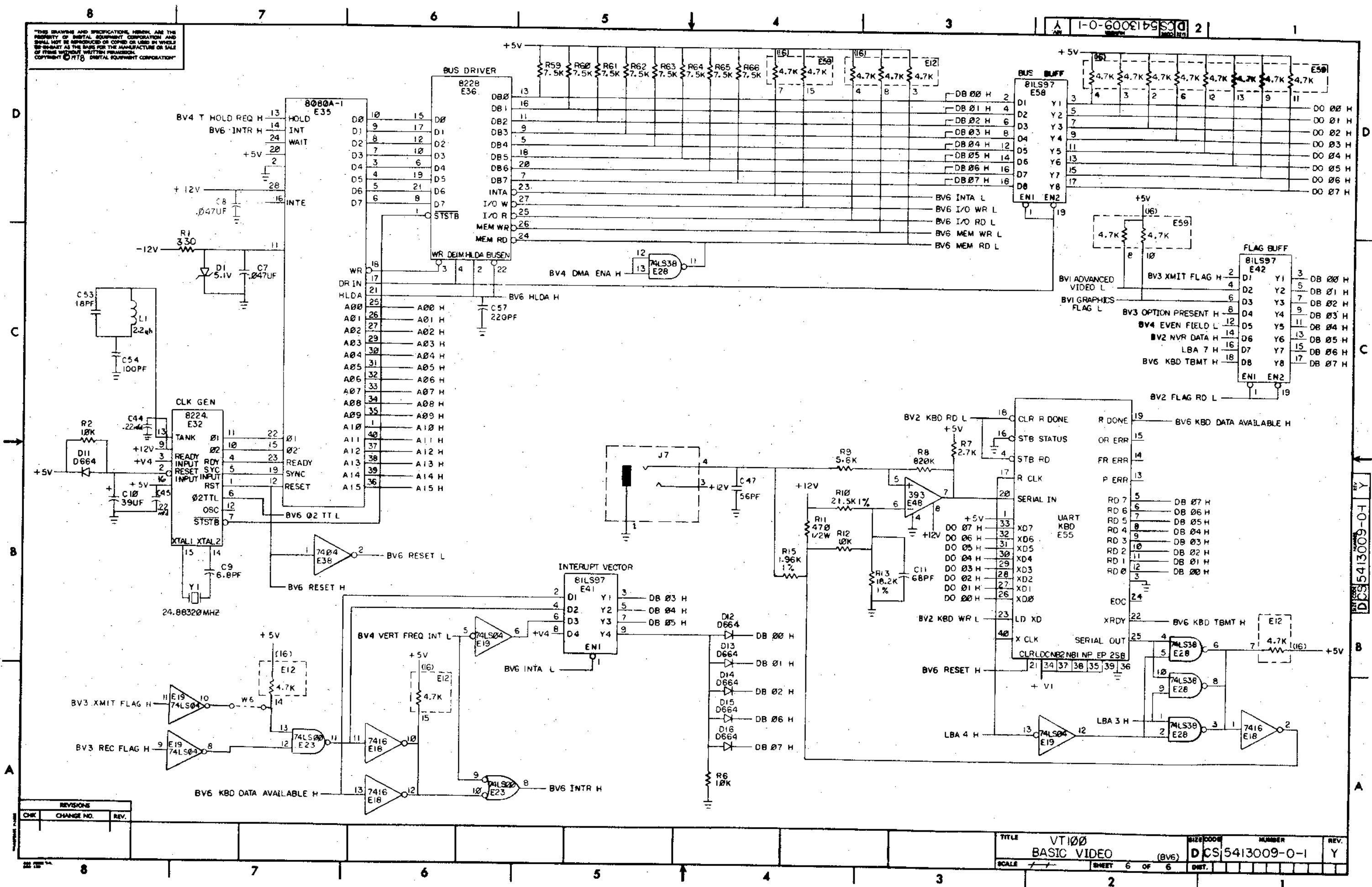
"THIS DRAWING AND SPECIFICATIONS HEREIN ARE THE PROPERTY OF DIGITAL EQUIPMENT CORPORATION AND SHALL NOT BE REPRODUCED OR COPIED OR USED IN WHOLE OR IN PART AS THE BASIS FOR THE MANUFACTURE OR SALE OF ITEMS WITHOUT WRITTEN PERMISSION. COPYRIGHT © 1977 DIGITAL EQUIPMENT CORPORATION"



REVISIONS table with columns for CHK, CHANGE NO., and REV.

THIS DRAWING AND SPECIFICATIONS HEREIN ARE THE PROPERTY OF DIGITAL EQUIPMENT CORPORATION AND SHALL NOT BE REPRODUCED OR COPIED OR USED IN WHOLE OR IN PART AS THE BASIS FOR THE MANUFACTURE OR SALE OF ITEMS WITHOUT WRITTEN PERMISSION. COPYRIGHT © 1978 DIGITAL EQUIPMENT CORPORATION.

1-0-600219CS01 2

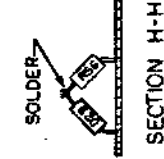
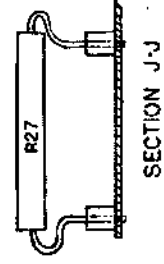


REVISIONS		
CHK	CHANGE NO.	REV.

TITLE	VT100	SIZE CODE	NUMBER	REV.
	BASIC VIDEO (BV6)		DCS 5413009-0-1	Y
SCALE	1/1	SHEET	6 OF 6	DWT.

REVISIONS

1	REVISED TO SHOW
2	REVISED TO SHOW
3	REVISED TO SHOW
4	REVISED TO SHOW
5	REVISED TO SHOW
6	REVISED TO SHOW
7	REVISED TO SHOW
8	REVISED TO SHOW
9	REVISED TO SHOW
10	REVISED TO SHOW



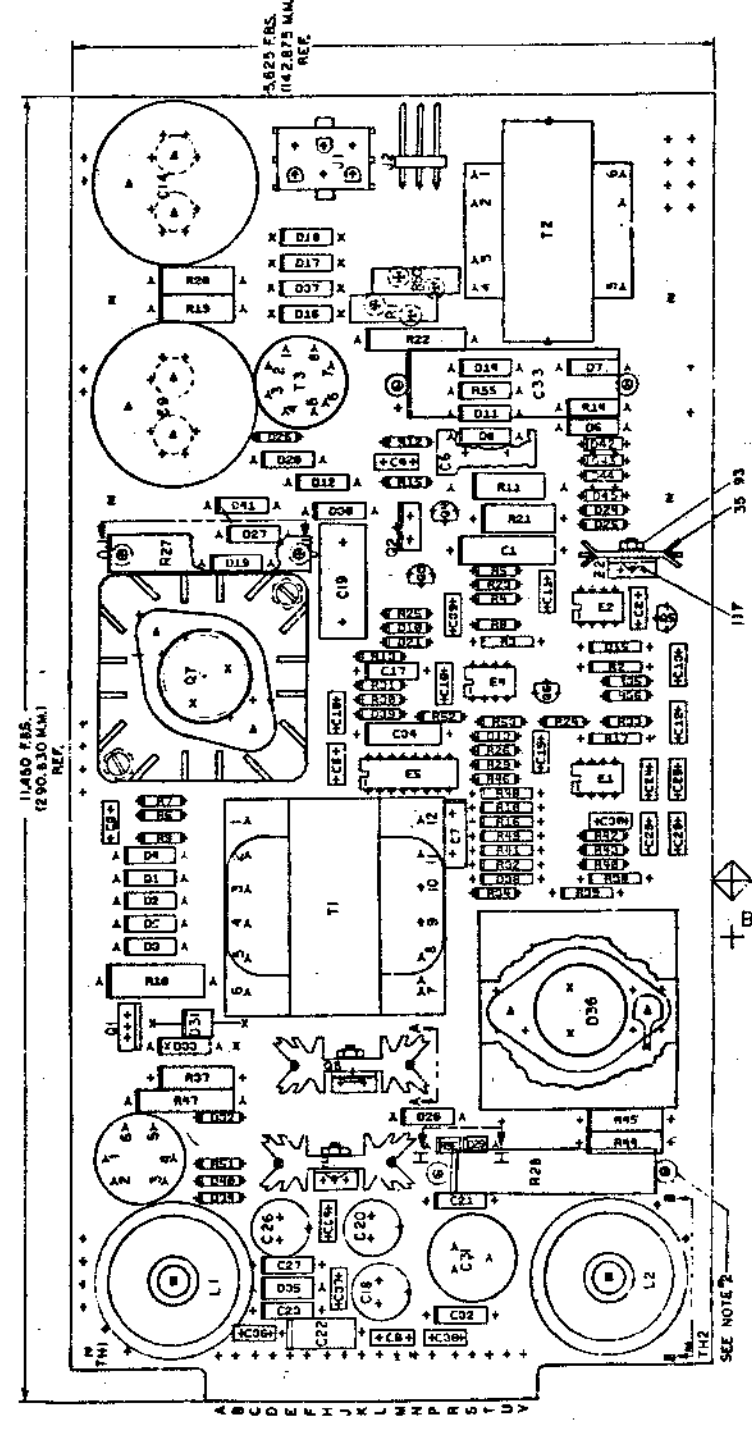
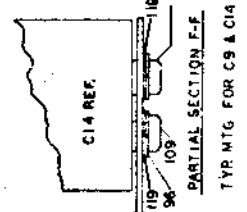
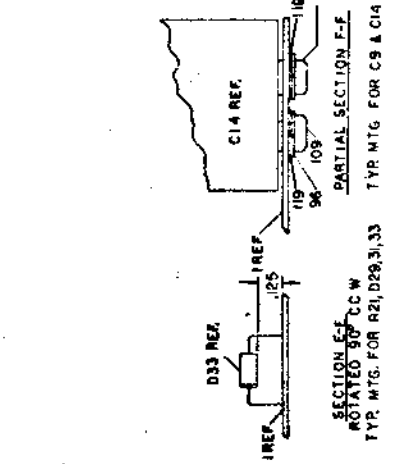
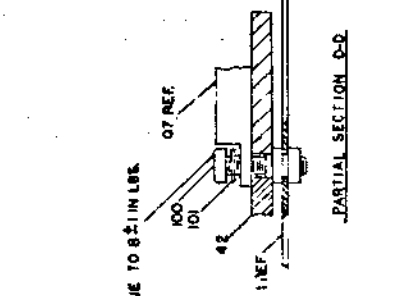
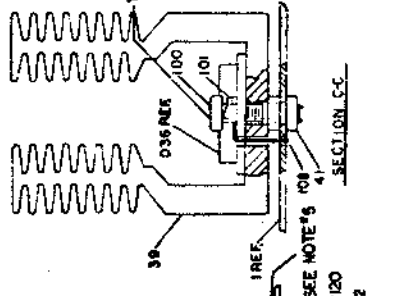
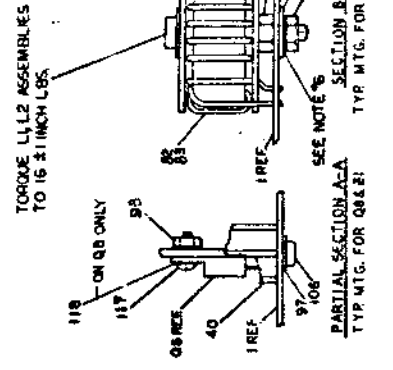
NOTES:

5. BEFORE ASSEMBLING ITEMS 82183, THE NUT USED ON THESE ASSEMBLIES SHOULD BE LOCKED INTO PLACE USING PERMABOND 240/240S OR LOCTITE 414.

SECTION H-H

SECTION J-J

6. MAXIMUM ALLOWABLE PROTRUSION ON SIDE TWO OF ETCH BOARD FROM BOTTOM OF ETCH BOARD TO BOTTOM OF NYLON OR SCREW PROTRUSION IS .150 MIL.



NOTES:

- THIS BOARD IS DESIGNED FOR APPROVAL BY THE USER AND SHOULD BE MOUNTED ON A BOARD WITH A PROTRUSION OF 0.150 INCH.
- SEE NOTE 75 FOR DIMENSIONS.
- SEE NOTE 76 FOR DIMENSIONS.
- SEE NOTE 77 FOR DIMENSIONS.
- SEE NOTE 78 FOR DIMENSIONS.
- SEE NOTE 79 FOR DIMENSIONS.
- SEE NOTE 80 FOR DIMENSIONS.
- SEE NOTE 81 FOR DIMENSIONS.
- SEE NOTE 82 FOR DIMENSIONS.
- SEE NOTE 83 FOR DIMENSIONS.
- SEE NOTE 84 FOR DIMENSIONS.
- SEE NOTE 85 FOR DIMENSIONS.
- SEE NOTE 86 FOR DIMENSIONS.
- SEE NOTE 87 FOR DIMENSIONS.
- SEE NOTE 88 FOR DIMENSIONS.
- SEE NOTE 89 FOR DIMENSIONS.
- SEE NOTE 90 FOR DIMENSIONS.
- SEE NOTE 91 FOR DIMENSIONS.
- SEE NOTE 92 FOR DIMENSIONS.
- SEE NOTE 93 FOR DIMENSIONS.
- SEE NOTE 94 FOR DIMENSIONS.
- SEE NOTE 95 FOR DIMENSIONS.
- SEE NOTE 96 FOR DIMENSIONS.
- SEE NOTE 97 FOR DIMENSIONS.
- SEE NOTE 98 FOR DIMENSIONS.
- SEE NOTE 99 FOR DIMENSIONS.
- SEE NOTE 100 FOR DIMENSIONS.

1	REVISED TO SHOW
2	REVISED TO SHOW
3	REVISED TO SHOW
4	REVISED TO SHOW
5	REVISED TO SHOW
6	REVISED TO SHOW
7	REVISED TO SHOW
8	REVISED TO SHOW
9	REVISED TO SHOW
10	REVISED TO SHOW

REVISIONS	DATE	BY
1	11/17/73	WJG
2	11/17/73	WJG
3	11/17/73	WJG
4	11/17/73	WJG
5	11/17/73	WJG
6	11/17/73	WJG
7	11/17/73	WJG
8	11/17/73	WJG
9	11/17/73	WJG
10	11/17/73	WJG

digital

TITLE: H783 POWER SUPPLY

PROJ. ENG. W. J. GARDNER

SCALE: 1" = 1" (SEE NOTE 1)

DATE: 11/17/73

NO. 1000

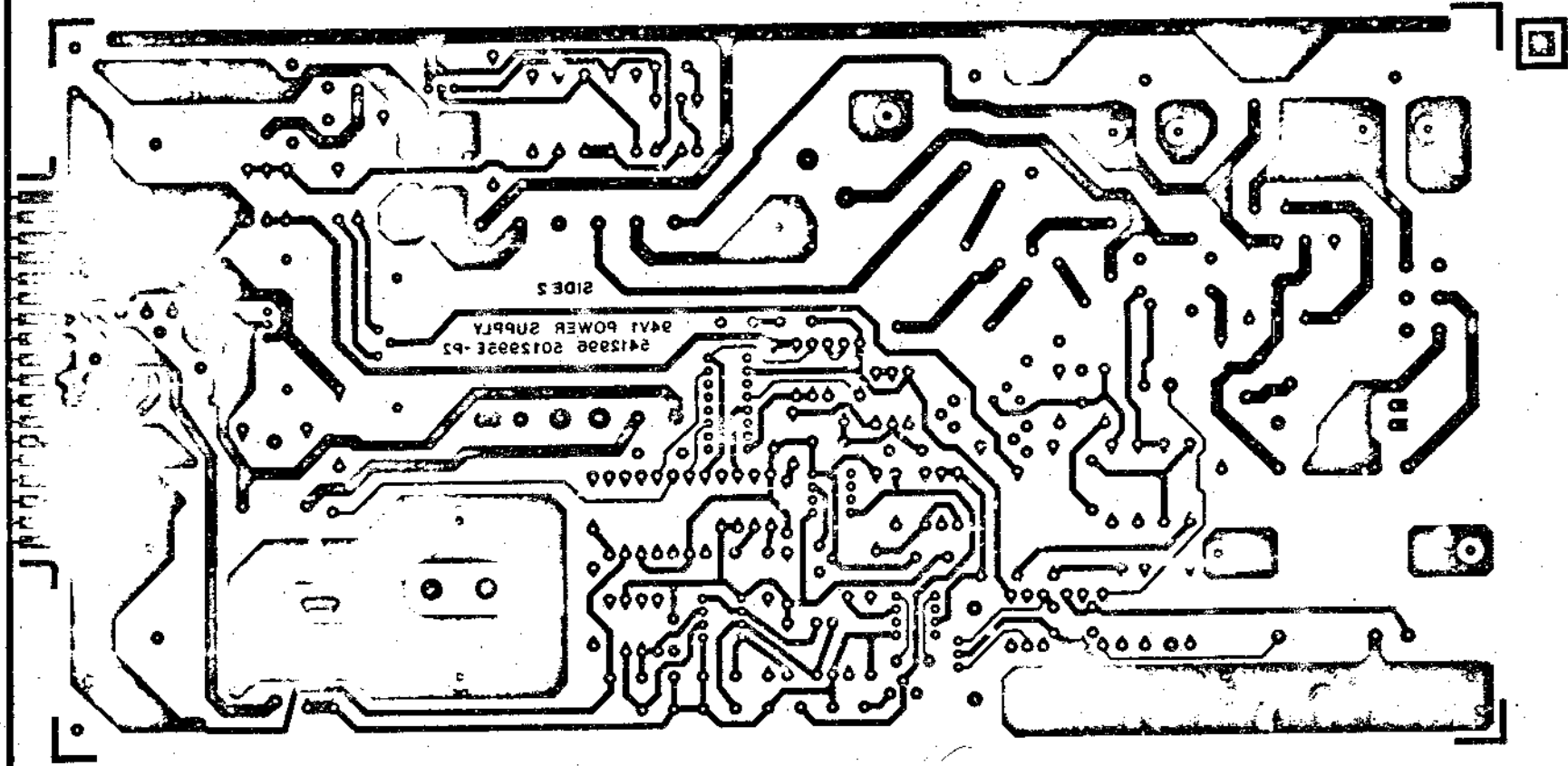
REV. 1000

U.S. DESIGN WITH INVENTOR'S NAME

D UA 5412996-C-0 2

THIS DRAWING AND SPECIFICATION ARE THE PROPERTY OF DIGITAL EQUIPMENT CORPORATION AND SHALL NOT BE REPRODUCED OR COPIED OR USED IN WHOLE OR IN PART AT THE BULK FOR THE MANUFACTURE OR SALE OF ITEMS WITHOUT WRITTEN PERMISSION. COPYRIGHT © 1978 DIGITAL EQUIPMENT CORPORATION.

REV. APPROVAL



D UA 5412996-C-0 N

REVISIONS		
CHK	CHANGE NO.	REV.

TITLE	H7831 POWER SUPPLY	SIZE CODE	D UA 5412996-C-0	NUMBER	N
SCALE	2/1	SHEET	2	OF	3

THIS DRAWING AND SPECIFICATIONS HEREIN ARE THE PROPERTY OF THE U.S. GOVERNMENT. REPRODUCTION AND DISSEMINATION OF THIS DRAWING OR USE OF THIS DRAWING OR IN PART OF THE BASIS FOR THE MANUFACTURE OR SALE OF THIS DRAWING, WITHOUT PERMISSION OF THE U.S. GOVERNMENT, IS PROHIBITED.

D/UA 5412996-0-0 N 2

U/L APPROVAL

5412996 5012995 E-P2

SIDE 1

REVISIONS		
NO.	CHANGE NO.	REV.

TITLE H7831 POWER SUPPLY
 SCALE 2/1
 SHEET 3 OF 3
 D/UA 5412996-0-0 N
 DIST.

AUTOMATED BY FRTLET.10(11)

7 8 9 1 0 1 1

SHEET 01 OF 03

LINE	ITEM	DOCUMENT NUMBER	PART NUMBER	DESCRIPTION	PER VARIATION	REFERENCE DESIGNATOR
		E-ND-5412998-0-0				

REVISION HISTORY		BASIC PART NO: 5412998		DESIGN: VIN FARACHIAN DATE: 8-20-78		DIGITAL	
REV	DOC NUMBER	REV	SECTION 2 OF 2	DESIGN: KENT GLEEDEN	DATE: 7-JUL-80	TITLE: PARTS LIST	
			SECTION VARIATION INDEX	DESIGN: BOB PEDERSEN	DATE: 7-JUN-78	H7831 POWER SUPPLY	
				RESP. ENG.: BOB PENDERSON	DATE: 7-JUN-78	DOCUMENT NUMBER	
				MFG. ENG.: T. CORCIARI	DATE: 7-JUN-78	STEEL CODE: K PL	NUMBER: 5412998-0-SEP
				DRAWING NUMBER: E-ND-5412998-0-0	TOP DOCUMENT NUMBER: E-ND-5412998-0-0	FILE NAME: Z1088.PLS	REV: 43
<p>ALL DIMENSIONS AND SPECIFICATIONS HEREIN ARE THE PROPERTY OF DIGITAL EQUIPMENT CORPORATION AND SHALL NOT BE REPRODUCED OR COPIED OR USED IN ANY MANNER OR FOR THE MANUFACTURE OF ANY PARTS WITHOUT WRITTEN PERMISSION.</p> <p>COPYRIGHT © 1981, DIGITAL EQUIPMENT CORPORATION</p>							

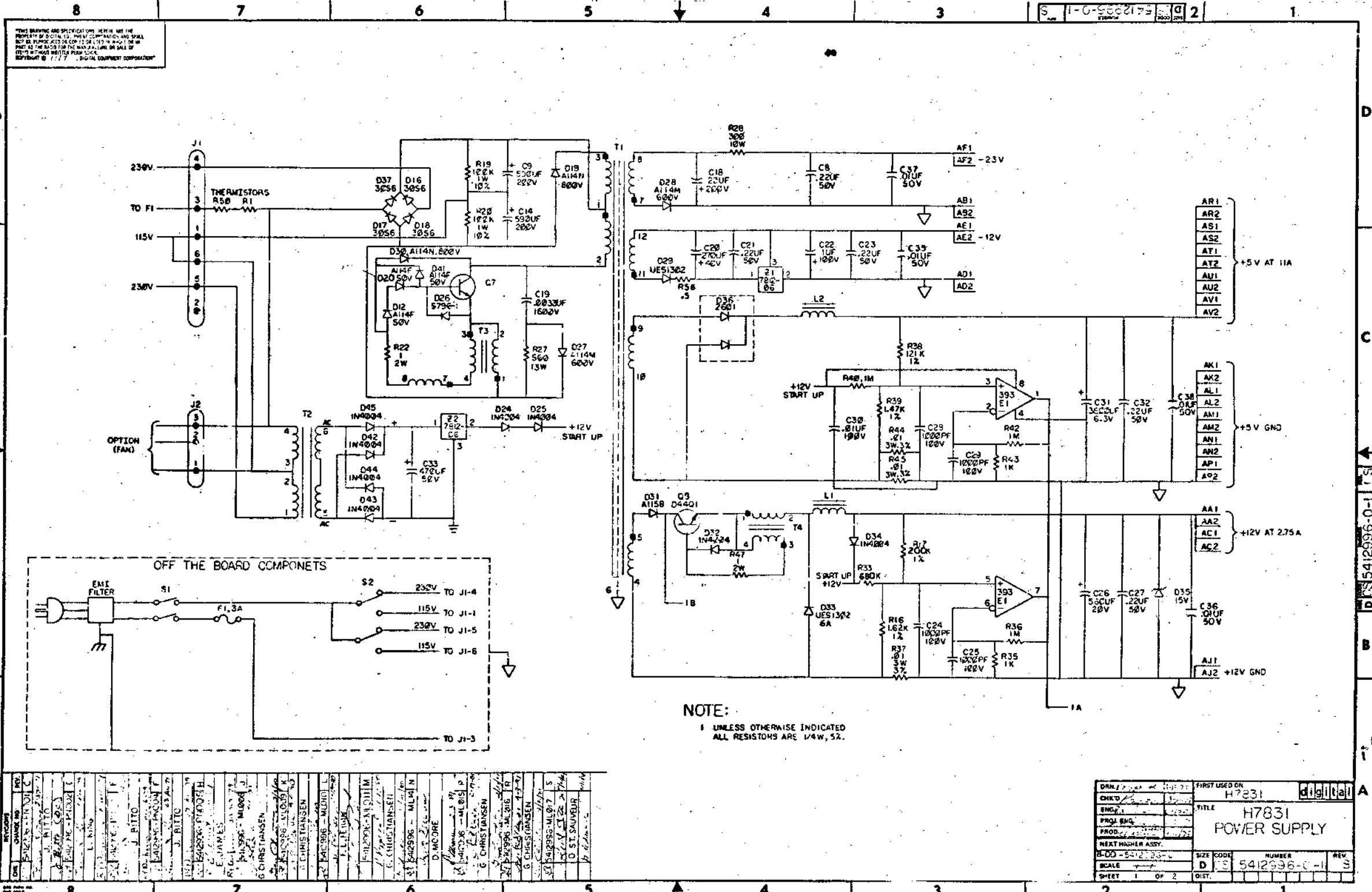
AUTOMATED BY PARTLIST.10(11)

PARTS LIST

SHEET 02 OF 02

LINE ITEM	DOCUMENT NUMBER	PART NUMBER	DESCRIPTION	QTY PER VARIATION	REFERENCE DESIGNATOR
01		0100	POWER SUPPLY	1	
02		0200	RESISTOR	1	
03		0300	CAPACITOR	1	
04		0400	TRANSISTOR	1	
05		0500	DIODE	1	
06		0600	INDUCTOR	1	
07		0700	RELAY	1	
08		0800	SOLENOID	1	
09		0900	MOTOR	1	
10		1000	GEAR	1	
11		1100	BEARING	1	
12		1200	SCREW	1	
13		1300	NUT	1	
14		1400	WASHER	1	
15		1500	SPRING	1	
16		1600	PLATE	1	
17		1700	BRACKET	1	
18		1800	HOUSING	1	
19		1900	COVER	1	
20		2000	KEY	1	
21		2100	SCREW	1	
22		2200	NUT	1	
23		2300	WASHER	1	
24		2400	SPRING	1	
25		2500	PLATE	1	
26		2600	BRACKET	1	
27		2700	HOUSING	1	
28		2800	COVER	1	
29		2900	KEY	1	
30		3000	SCREW	1	
31		3100	NUT	1	
32		3200	WASHER	1	
33		3300	SPRING	1	
34		3400	PLATE	1	
35		3500	BRACKET	1	
36		3600	HOUSING	1	
37		3700	COVER	1	
38		3800	KEY	1	
39		3900	SCREW	1	
40		4000	NUT	1	
41		4100	WASHER	1	
42		4200	SPRING	1	
43		4300	PLATE	1	
44		4400	BRACKET	1	
45		4500	HOUSING	1	
46		4600	COVER	1	
47		4700	KEY	1	
48		4800	SCREW	1	
49		4900	NUT	1	
50		5000	WASHER	1	
51		5100	SPRING	1	
52		5200	PLATE	1	
53		5300	BRACKET	1	
54		5400	HOUSING	1	
55		5500	COVER	1	
56		5600	KEY	1	
57		5700	SCREW	1	
58		5800	NUT	1	
59		5900	WASHER	1	
60		6000	SPRING	1	
61		6100	PLATE	1	
62		6200	BRACKET	1	
63		6300	HOUSING	1	
64		6400	COVER	1	
65		6500	KEY	1	
66		6600	SCREW	1	
67		6700	NUT	1	
68		6800	WASHER	1	
69		6900	SPRING	1	
70		7000	PLATE	1	
71		7100	BRACKET	1	
72		7200	HOUSING	1	
73		7300	COVER	1	
74		7400	KEY	1	
75		7500	SCREW	1	
76		7600	NUT	1	
77		7700	WASHER	1	
78		7800	SPRING	1	
79		7900	PLATE	1	
80		8000	BRACKET	1	
81		8100	HOUSING	1	
82		8200	COVER	1	
83		8300	KEY	1	
84		8400	SCREW	1	
85		8500	NUT	1	
86		8600	WASHER	1	
87		8700	SPRING	1	
88		8800	PLATE	1	
89		8900	BRACKET	1	
90		9000	HOUSING	1	
91		9100	COVER	1	
92		9200	KEY	1	
93		9300	SCREW	1	
94		9400	NUT	1	
95		9500	WASHER	1	
96		9600	SPRING	1	
97		9700	PLATE	1	
98		9800	BRACKET	1	
99		9900	HOUSING	1	
100		10000	COVER	1	

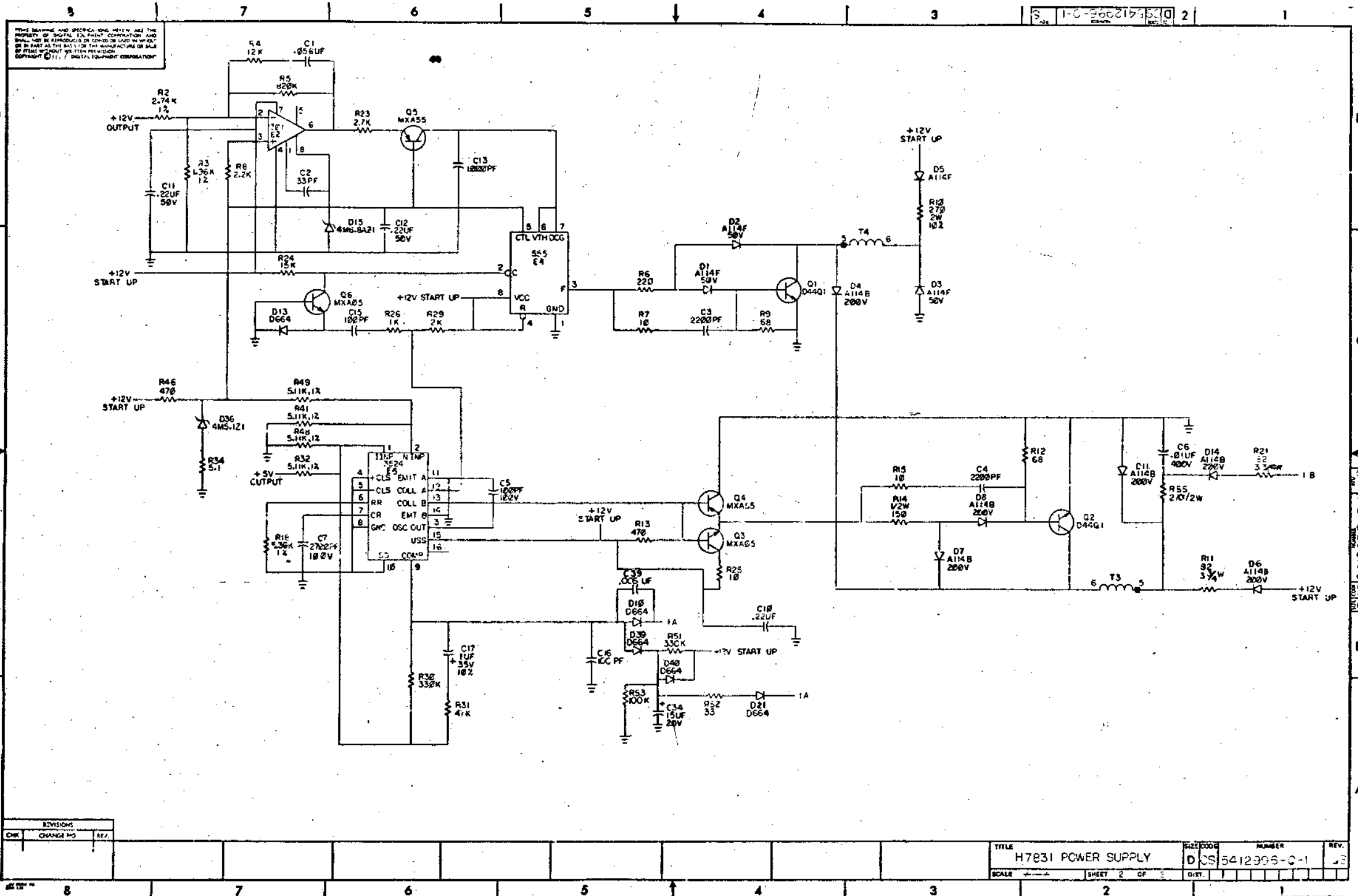
U	H	S	I	T	R	L	TITLE	SECTION A OF A	SIZE	CODE	DOCUMENT NUMBER	REV
							H7931 POWER SUPPLY		X	P	341995-C-02F	R



THIS DRAWING AND SPECIFICATIONS HEREIN ARE THE PROPERTY OF DIGITAL EQUIPMENT CORPORATION AND SHALL NOT BE REPRODUCED OR TRANSMITTED IN ANY FORM OR BY ANY MEANS, ELECTRONIC OR MECHANICAL, INCLUDING PHOTOCOPYING, RECORDING, OR BY ANY INFORMATION STORAGE AND RETRIEVAL SYSTEM, WITHOUT WRITTEN PERMISSION FROM DIGITAL EQUIPMENT CORPORATION.

REV	DATE	BY	CHKD	DESCRIPTION
1	11/10/73	J. FITO		ISSUED FOR FABRICATION
2	11/10/73	J. FITO		REVISION
3	11/10/73	J. FITO		REVISION
4	11/10/73	J. FITO		REVISION
5	11/10/73	J. FITO		REVISION
6	11/10/73	J. FITO		REVISION
7	11/10/73	J. FITO		REVISION
8	11/10/73	J. FITO		REVISION

DRN /	FIRST USED ON	H7831	Digital
ENGR	TITLE	H7831 POWER SUPPLY	
PROJ. ENGR	SCALE	D	13
PROD. ENGR	SIZE	CODE	NUMBER
NEXT HIGHER ASSY.	SHEET	1	OF 2
DIST.	5412996-0-1	REV	S



REVISIONS		
CHK	CHANGE NO	REV.

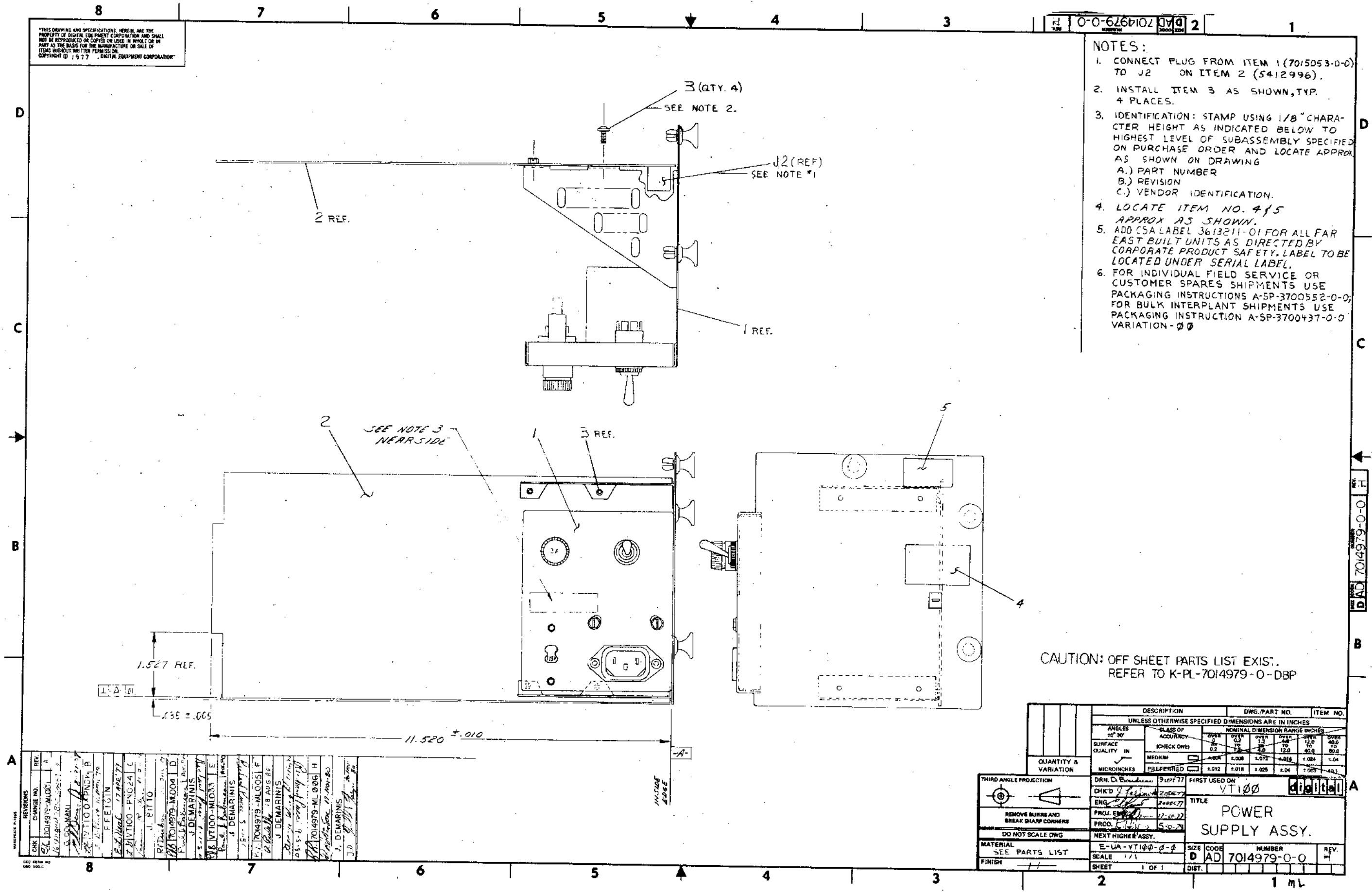
TITLE	H7831 POWER SUPPLY	SIZE CODE	NUMBER	REV.
SCALE	SHEET 2 OF 3	DIST.	D55 5412996-C-1	J3

D55 5412996-C-1 J3

THIS DRAWING AND SPECIFICATIONS HEREIN ARE THE PROPERTY OF DIGITAL EQUIPMENT CORPORATION AND SHALL NOT BE REPRODUCED OR COPIED OR USED IN WHOLE OR IN PART AS THE BASIS FOR THE MANUFACTURE OR SALE OF ITEMS WITHOUT WRITTEN PERMISSION. COPYRIGHT © 1977 DIGITAL EQUIPMENT CORPORATION

DWG. PART NO. 7014979-0-0 2

- NOTES:
- CONNECT PLUG FROM ITEM 1 (7015053-0-0) TO J2 ON ITEM 2 (5412996).
 - INSTALL ITEM 3 AS SHOWN, TYP. 4 PLACES.
 - IDENTIFICATION: STAMP USING 1/8" CHARACTER HEIGHT AS INDICATED BELOW TO HIGHEST LEVEL OF SUBASSEMBLY SPECIFIED ON PURCHASE ORDER AND LOCATE APPROX AS SHOWN ON DRAWING
A.) PART NUMBER
B.) REVISION
C.) VENDOR IDENTIFICATION.
 - LOCATE ITEM NO. 4 AS APPROX AS SHOWN.
 - ADD CSA LABEL 3613211-01 FOR ALL FAR EAST BUILT UNITS AS DIRECTED BY CORPORATE PRODUCT SAFETY. LABEL TO BE LOCATED UNDER SERIAL LABEL.
 - FOR INDIVIDUAL FIELD SERVICE OR CUSTOMER SPARES SHIPMENTS USE PACKAGING INSTRUCTIONS A-SP-3700552-0-0; FOR BULK INTERPLANT SHIPMENTS USE PACKAGING INSTRUCTION A-SP-3700437-0-0 VARIATION-00




CAUTION: OFF SHEET PARTS LIST EXIST. REFER TO K-PL-7014979-0-DBP

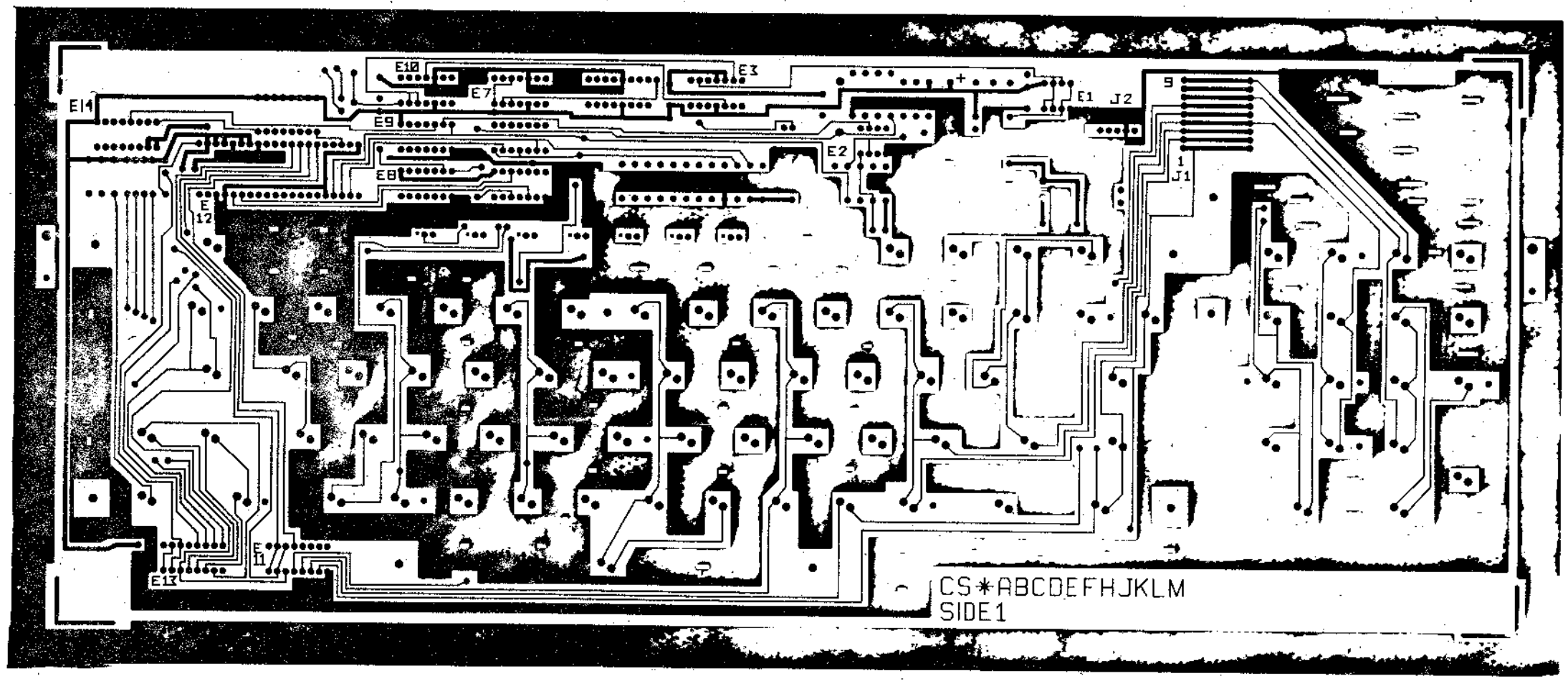
REV.	CHANGE NO.	DESCRIPTION	DATE
A	1	INITIAL DESIGN	12-10-77
B	2	REVISED TO 174977	12-10-77
C	3	REVISED TO PNC24	12-10-77
D	4	REVISED TO PNC24	12-10-77
E	5	REVISED TO PNC24	12-10-77
F	6	REVISED TO PNC24	12-10-77
G	7	REVISED TO PNC24	12-10-77
H	8	REVISED TO PNC24	12-10-77

QUANTITY & VARIATION	DESCRIPTION	DWG. PART NO.	ITEM NO.
1	POWER SUPPLY ASSY.	7014979-0-0	1 ML

THIRD ANGLE PROJECTION		FIRST USED ON	
DRN. D. BORDEN	9 SEP 77	VT100	digital
CHK'D J. FELDMAN	20 DEC 77	TITLE	
ENG. J. FELDMAN	20 DEC 77	POWER SUPPLY ASSY.	
PROJ. ENG. J. FELDMAN	12-10-77	SIZE	CODE
PROD. J. FELDMAN	5-20-78	D	AD
DO NOT SCALE DWG	NEXT HIGHER ASSY.	NUMBER	REV.
MATERIAL SEE PARTS LIST	E-LA-VT100-0-0	1	1
FINISH	SCALE 1:1	SHEET	1 OF 1

THE PRINTING AND REVISIONS INFORMATION ARE THE PROPERTY OF THE U.S. GOVERNMENT AND ARE TO BE REPRODUCED IN FULL AND ACCURACY IN ALL REPRODUCTIONS.
 1979

5413404
 5013403C-PI  L1



CS*ABCDEFHJKLM
 SIDE 1

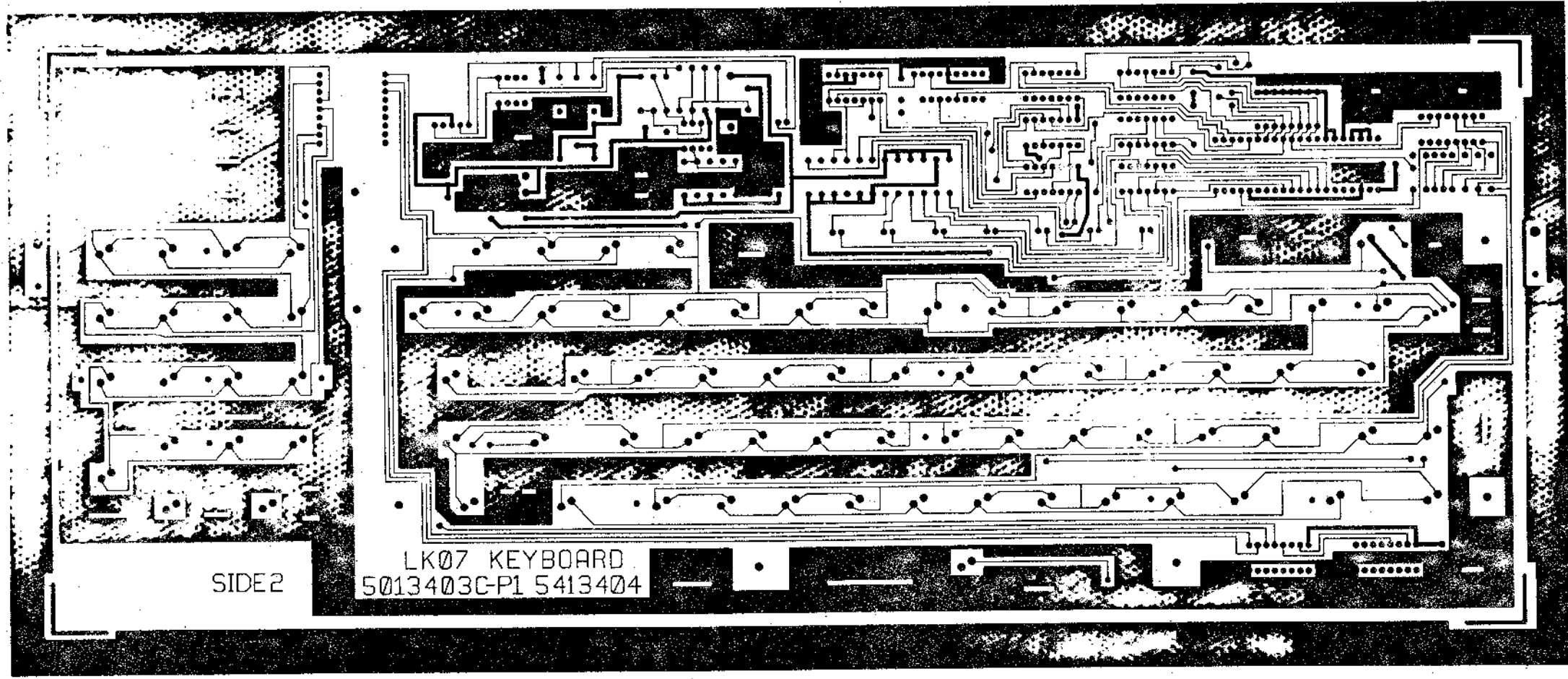
UA 5413404-0-0

REVISIONS		
NO.	CHANGE NO.	REV.

6 7 6 5 4 3 2 1

1973

L2



SIDE 2

LK07 KEYBOARD
5013403C-P1 5413404

REV	DESCRIPTION	DATE

TITLE	LK07 KEYBOARD	DATE CODE	E UA	NUMBER	541340400	REV.	C
SCALE	2:1	SHEET	3	OF	3	DATE	

8 7 6 5 4 3 2 1

J
H
F
E
C
B
A

LINE	ITEM	DOCUMENT NUMBER	PART NUMBER	DESCRIPTION	QTY PER VARIATION	REFERENCE DESIGNATOR
1	1	0-MD-5013403-0-0	5013403-00	DRILL & ETCH DRAWING	1	
2	2		1000014-00	68.0 MMF 100V 5%200PPM DM15S	1	C7
3	3		1000075-00	25 MFD 25V G% 30D AL EL	1	C5
4	4		1001634-00	1600.0 MMF 100V 5%200PPM DM02S	1	C6
5	5		1005306-00	6.8MFD 35V 10% S.TANT	1	C8
6	6		1012784-00	.047 MFD 50V -20+80 CER	6	C1,C2,C4,C9-C11
7	7		1105275-00	D 672 TR= 15NS PIV= 60V SI	1	D8
8	8		1110324-01	LED 1MCD@10MA PIV=3 .750 MIN. LE	7	D1-D7
9	9		1215048-00	CONN 5POS RT ANGLE	1	J2
10	10		1300309-00	390.0 .25 W 5.0 % CC	2	R16,R42
11	11		1300315-00	470.0 .50 W 5.0 % CC	1	R15
12	12		1300365-00	1.0 K .25 W 5.0 % CC	6	R10,R19,R21-R24
13	13		1300439-00	3.30 K .25 W 5.0 % CC	9	R26-R33,R38
14	14		1300479-00	10.0 K .25 W 5.0 % CC	11	R2,R3,R17,R25,R34-R37,R39-R41
15	15		1301401-00	750.0 .25 W 5.0 % CC	1	R1
16	16		1301425-00	300.0 .25 W 5.0 % CC	2	R10,R20
17	17		1301874-00	5.60 K .25 W 5.0 % CC	3	R5,R7,R9
18	18		1302391-00	20.0 K .25 W 5.0 % CC	2	R4,R6
19	19		1303155-00	21.5 K 1/4W 1% RN550-F 100PPM	1	R12
20	20		1303187-00	820.0 K .25 W 5.0 % CC	1	R8
21	21		1303312-00	10.0 K 1/4W 1% RN550-F 100PPM	1	R11
22	22		1304833-00	1.96 K .25 W 1.0 % RN550-F10	1	R14
23	23		1309412-00	18.2 K 1/4W 1% RN550-F 100PPM	1	R13
24	24		1909686-00	7404 INVERTER GATE-HEX 1I	1	E9
25	25		1910406-00	75451 DRIVER,PERIPH,DUAL,	1	E1
26	26		1910741-00	7406 INVERTER GATE-HEX 1I	1	E8
27	27		1912536-01	7805 VOLT REG, FIX +5V	1	Z1
28	28		1912649-00	LS75 LATCH 4BIT,BISTABLE	1	E4
29	29		1912799-00	LS00 NAND-GATE-QUAD 2IN,P	1	E5
30	30		1912823-00	LS73 FF-JK DUAL W/CLEAR	1	E3

REVISION HISTORY			BASIC PART NO: 5413404			DRN: T SHETRAWSKI DATE: 23-JUL-79			DIGITAL		
ENGR	ECO NUMBER	REV	SECTION A OF A	CHK'D:	T SHETRAWSKI	DATE:	23-JUL-79	TITLE PARTS LIST			
IRP	5413404-NL001	B	SECTION VARIATION INDEX	DES.ENG:	M MORGESTERN	DATE:	23-JUL-79	VT100 FULL KEYBOARD			
J.D.	5413404-PN002	C	(A) 00	RESP.ENG.:	M MORGESTERN	DATE:	23-JUL-79	DOCUMENT NUMBER			
J.R.	5413404-PN003	D	(B)	MFG.ENG.:	T CORCIARI	DATE:	23-JUL-79	SIZE:	CODE:	NUMBER	REV
CJ	5413404-NL004	E	(C)	ASSEMBLY NUMBER:		TOP DOCUMENT NUMBER:		K	PL	5413404-0-DBP	F
CJ	5413404-NL005	F	(D)	FILE NAME:		EDIT #:					
			(E)	D-NA-5413404-0-0		Z0783F.PLS					11
			(F)								
			(H)								
			(J)								
			(K)								
			(L)								
			(M)								
			(N)								

"THIS DRAWING AND SPECIFICATIONS HEREIN, ARE THE PROPERTY OF DIGITAL EQUIPMENT CORPORATION AND SHALL NOT BE REPRODUCED OR COPIED OR USED IN WHOLE OR IN PART AS THE BASIS FOR THE MANUFACTURE OR SALE OF ITEMS WITHOUT WRITTEN PERMISSION. COPYRIGHT (C) 1980. DIGITAL EQUIPMENT CORPORATION"

AUTOMATED BY PRTLST.3L(34)

PARTS LIST

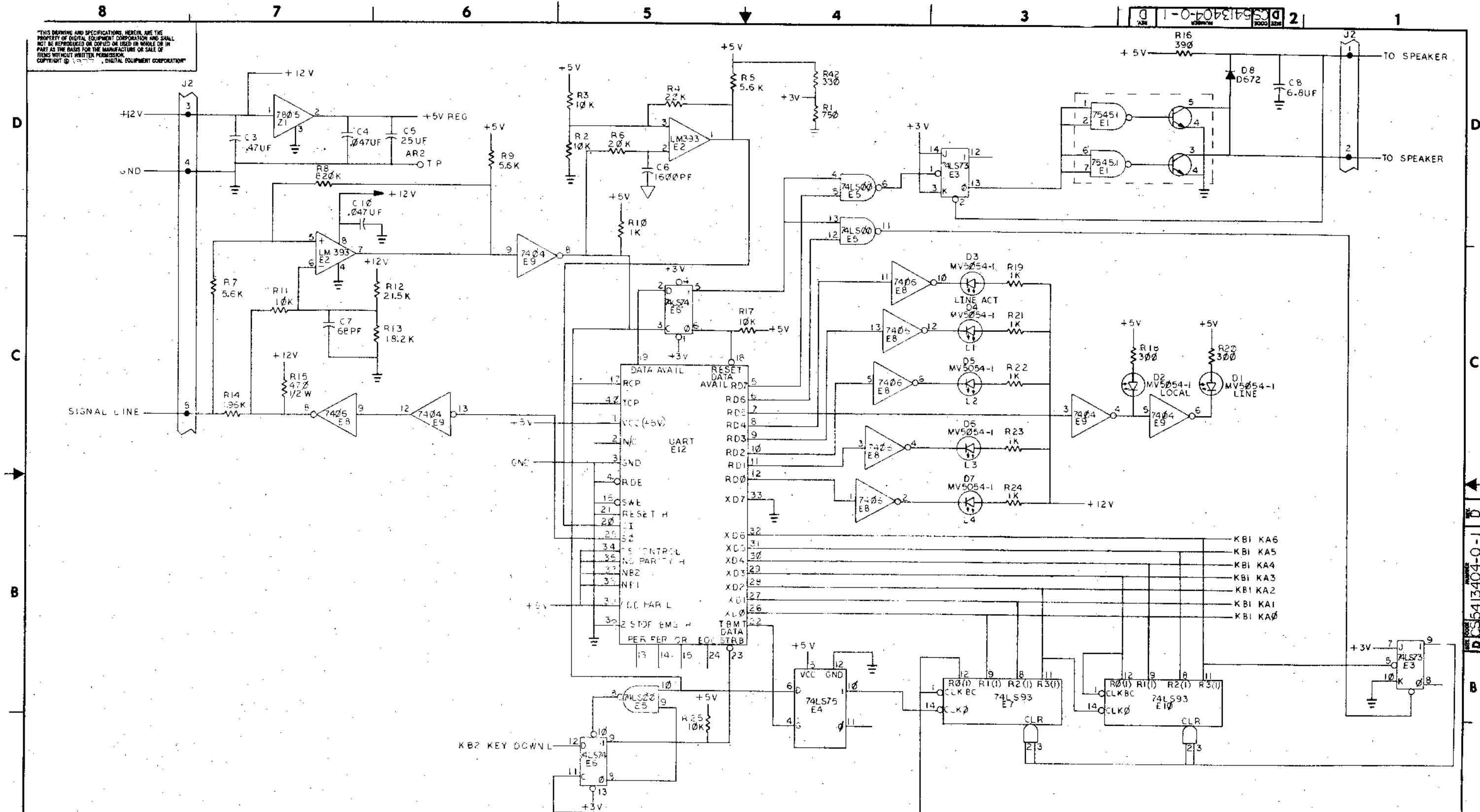
SHEET A2 OF A2

LINE ITEM	DOCUMENT NUMBER	PART NUMBER	DESCRIPTION	QTY PER VARIATION 00	REFERENCE DESIGNATOR
31	31	1912824-00	LS74 FF-D DUAL-EDGE TRIGG	1	E6
32	32	1912844-00	LS151 MUX 1 OF 8 & DATA	1	E14
33	33	1913949-00	LS93 COUNTER,DECADE,4BIT	2	E7,E10
34	34	1913950-00	LS156 DECODER,2 OF 4(DUAL)	2	E11,E13
35	35	1914156-00	LM 393 VOLT.COMPARATOR DUAL	1	E2
36	36	2114137-51	UART MOS N-CHANNEL	1	E12
37	37	7013910-00	KEYBOARD ARRAY ASSY	1	
38	38	7014561-00	18 KEY NUMERIC PAD ASSY	1	
39	39	9006020-01	SCREW,PAN,PHIL 6-32X 1/4 SS	1	
40	40	9008185-00	NUT,KEP , 6-32X1/4 AF	1	
41	41	9010033-00	SCREW,PAN,PHILLIPS, 4-24 X 3/8	7	
42	42	1012312-01	.47 MFD 50V X8	1	C3

D	I	G	I	T	A	I	TITLE	SECTION A OF A	SIZE	CODE	DOCUMENT NUMBER	REV
							VT100 FULL KEYBOARD		K	PL	5413404-0-DBP	F

THIS DRAWING AND SPECIFICATIONS HEREIN ARE THE PROPERTY OF DIGITAL EQUIPMENT CORPORATION AND SHALL NOT BE REPRODUCED OR COPIED OR USED IN WHOLE OR IN PART AS THE BASIS FOR THE MANUFACTURE OR SALE OF ITEMS WITHOUT WRITTEN PERMISSION. COPYRIGHT © 1975, DIGITAL EQUIPMENT CORPORATION.

D 5413404-0-1 2

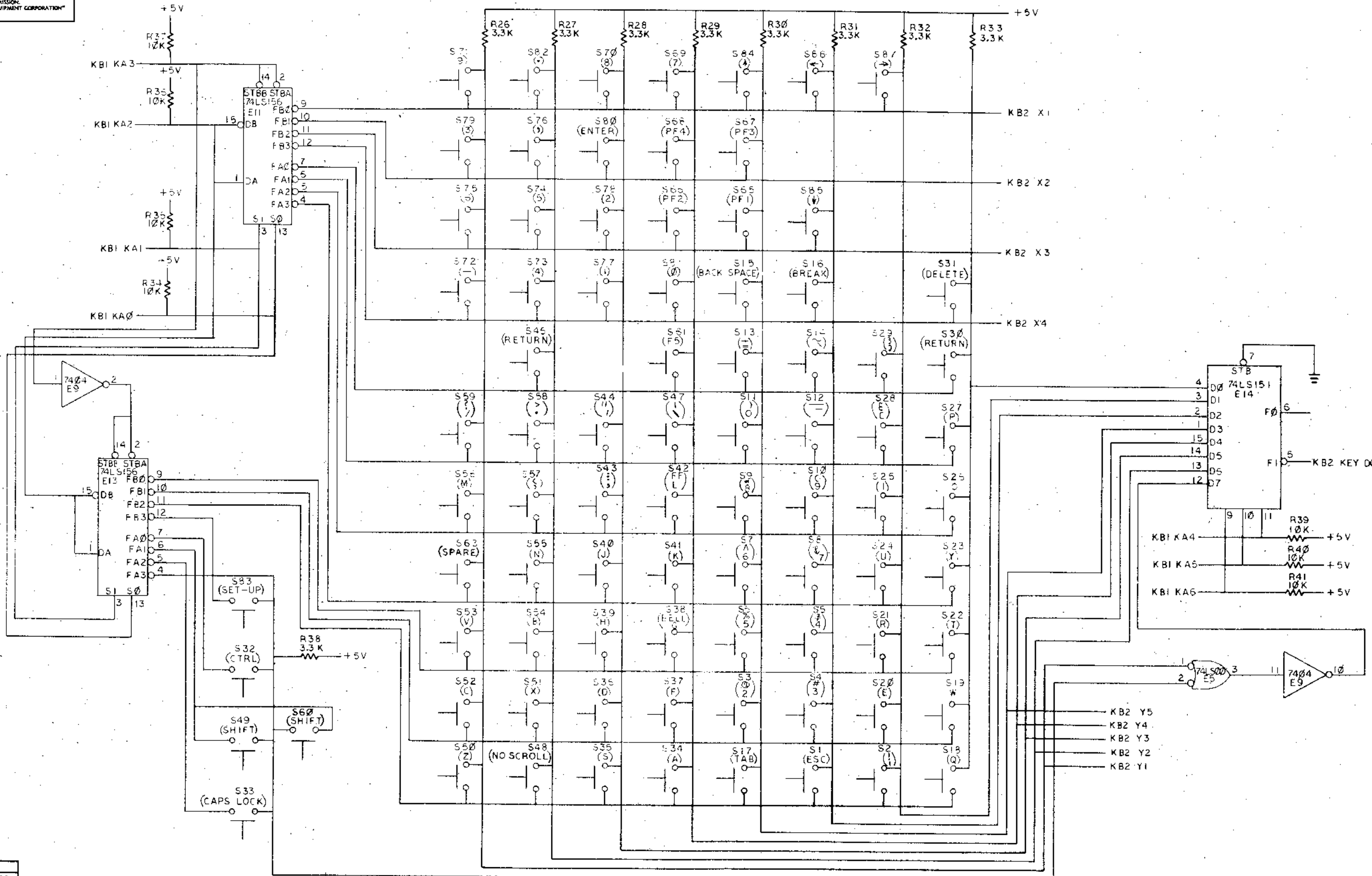


REV.	CHG. NO.	BY	DATE
A	1	MALCOLM P. NICHOLS	12/17/77
B	2	R. P. PUCCI	1/11/78
C	3	J. DESUK	2/11/78
D	4	C. JAMES	3/1/78

DRN: 270077	FIRST USED ON: VT100
CHK'D: [Signature]	TITLE: FULL KEYBOARD (KBI)
ENG: [Signature]	SCALE: 1/1
PROJ. ENG: [Signature]	SIZE: D
PROD: [Signature]	CODE: CS5413404-0-1
NEXT HIGHER ASSY:	NUMBER: 1
D-00-5413404-0-0	REV. D
SHEET 1 OF 3	DIST. []

THIS DRAWING AND SPECIFICATIONS HEREIN ARE THE PROPERTY OF DIGITAL EQUIPMENT CORPORATION AND SHALL NOT BE REPRODUCED OR COPIED OR USED IN WHOLE OR IN PART AS THE BASIS FOR THE MANUFACTURE OR SALE OF ITEMS WITHOUT WRITTEN PERMISSION. COPYRIGHT © 1977 DIGITAL EQUIPMENT CORPORATION

DCS 5413404-0-1

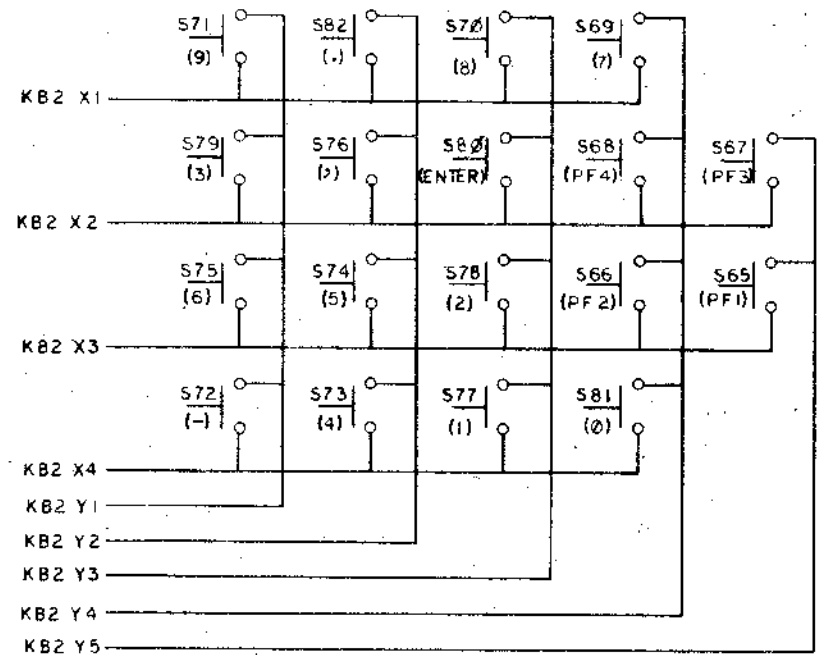


REVISIONS		
CHK	CHANGE NO.	REV.

TITLE	VT100 FULL KEYBOARD (KB2)	SIZE CODE	D	NUMBER	5413404-0-1	REV.	D
SCALE	1/1	SHEET	2	OF	3	DIST.	

DCS 5413404-0-1

THIS DRAWING AND SPECIFICATIONS HEREIN ARE THE PROPERTY OF DIGITAL EQUIPMENT CORPORATION AND SHALL NOT BE REPRODUCED OR COPIED OR USED IN WHOLE OR IN PART AS THE BASIS FOR THE MANUFACTURE OR SALE OF ITEMS WITHOUT WRITTEN PERMISSION. COPYRIGHT © 1977, DIGITAL EQUIPMENT CORPORATION

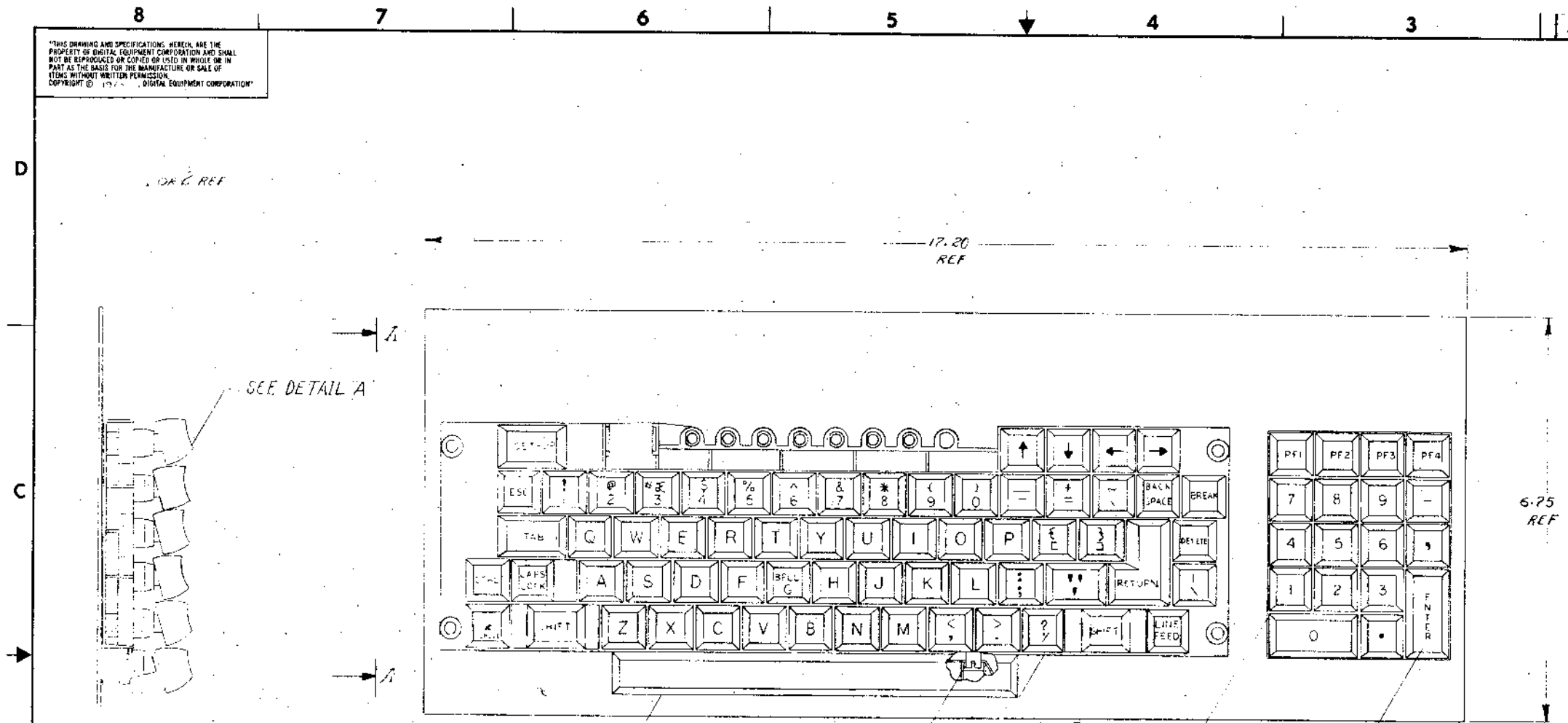


REVISIONS		
CHK	CHANGE NO.	REV.

THIS DRAWING AND SPECIFICATIONS HEREIN ARE THE PROPERTY OF DIGITAL EQUIPMENT CORPORATION AND SHALL NOT BE REPRODUCED OR COPIED OR USED IN WHOLE OR IN PART AS THE BASIS FOR THE MANUFACTURE OR SALE OF ITEMS WITHOUT WRITTEN PERMISSION.
 COPYRIGHT © 1977, DIGITAL EQUIPMENT CORPORATION

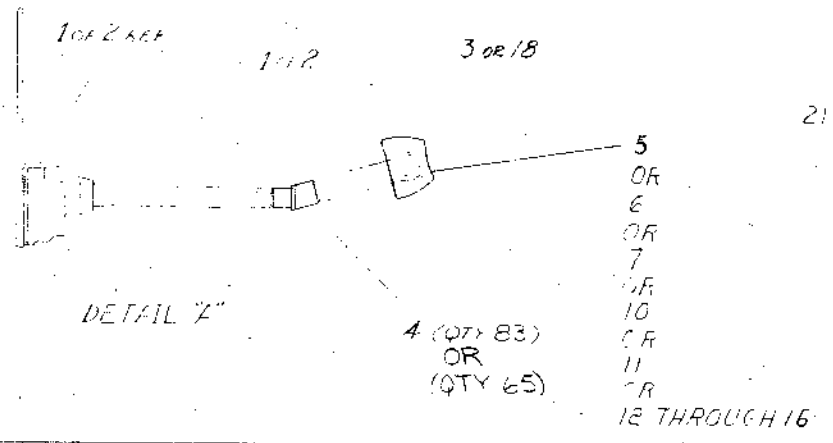
0-0-9929102 2

- NOTES:
1. THE NUMERIC KEY PAD IS NOT AVAILABLE ON THE E-UA-5413404-01 VARIATION.
 2. STANDARD VT100 BASIC KEYCAP SET (12,4333-12, ITEM 5) AND NUMERIC PAD (12,4333-9, ITEM 6) SHOWN. FOR KEYPAD ARRANGEMENTS REFER TO DEC DRAWING NUMBER D-AR-7015765-0-1.
 3. FOR INDIVIDUAL FIELD SERVICE/CUSTOMER SPARES SHIPMENTS, USE PACKAGING INSTRUCTIONS A-SP-3700555-0-0; FOR BULK INTERPLANT SHIPMENTS, USE PACKAGING INSTRUCTIONS A-SP-3700439-00 VARIATION -00.



SEE DETAIL A

VIEW A-A



REV	CHG	NO	BY	DATE	DESCRIPTION
1					
2					
3					
4					
5					
6					
7					
8					

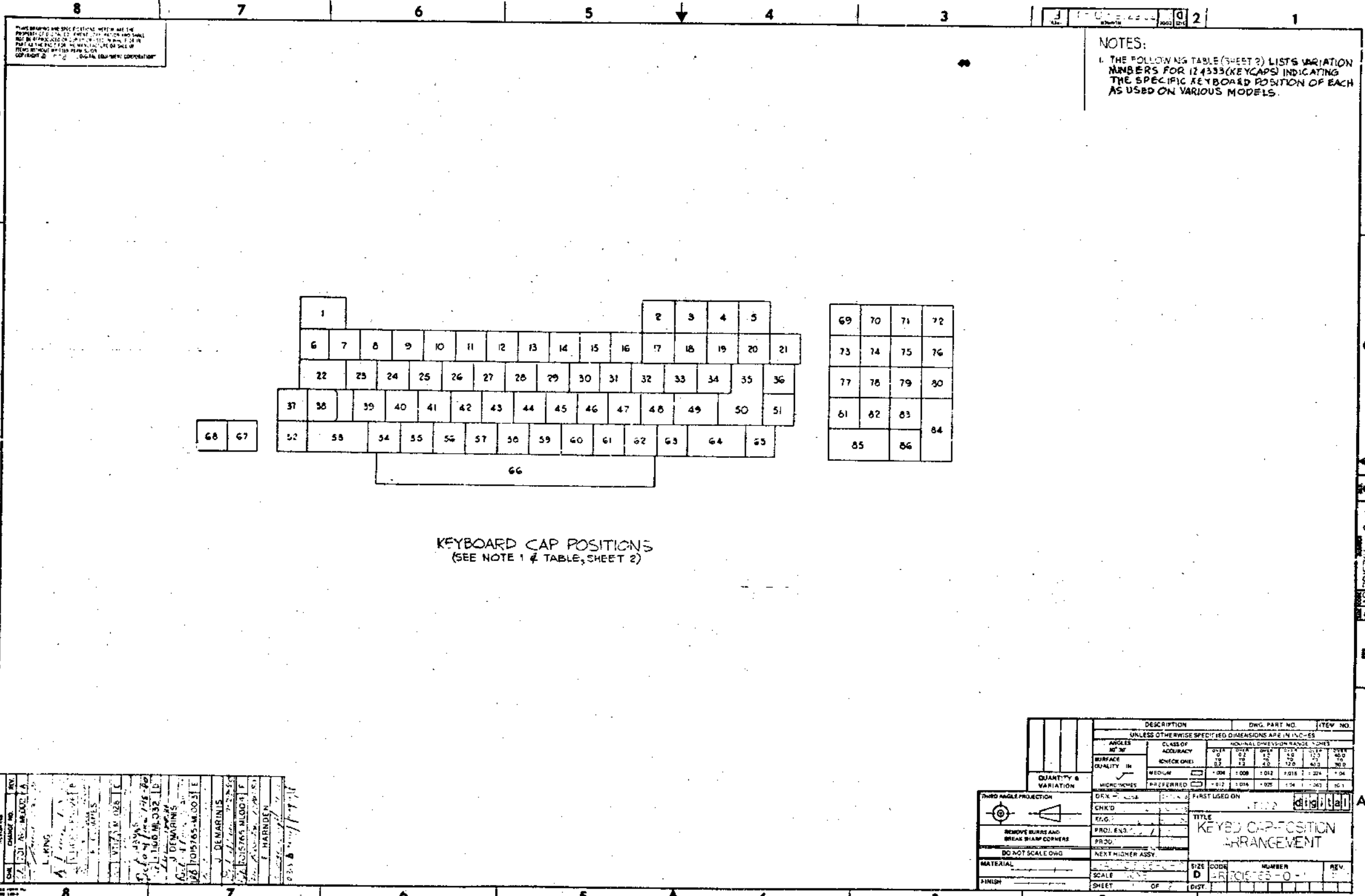
OFF SHEET PARTS LIST EXISTS:
 SEE K-PL-7015765-0-DBP

DESCRIPTION	DWG/PART NO.	ITEM NO.
UNLESS OTHERWISE SPECIFIED DIMENSIONS ARE IN INCHES		
ANGLES	CLASS OF ACCURACY	NOMINAL DIMENSION RANGE INCHES
SURFACE QUALITY	CHECK ONE	OVER 6 TO 12.5
MICROFINISHES	PREFERRED	12.5 TO 40.0
QUANTITY & VARIATION		40.0 TO 60.0
THIRD ANGLE PROJECTION	DRN: [Signature]	FIRST USED ON
REMOVE BURRS AND BREAK SHARP CORNERS	CHK'D: [Signature]	VT100
DO NOT SCALE DWG	ENGR: [Signature]	TITLE
MATERIAL SEE PARTS LIST	PROD: [Signature]	KEY BOARD, KEY CAP ASSY
FINISH NONE	NEXT HIGHER ASSY:	SIZE CODE
		D AD
		NUMBER
		7015765-0-0
		REV.
		H
		SHEET
		OF 1
		DIST.

LINE	ITEM	DOCUMENT NUMBER	PART NUMBER	DESCRIPTION	QUANTITY PER VARIATION										
					00	01	02	03	04	05	06	07	08	09	
1	1	E-AD-5413404-0-0	5413404-00	VT100 FULL KEYBOARD	1	-	1	1	1	1	1	1	1	1	1
2	2	E-AD-5413404-0-0	5413404-01	KEYBOARD ASSY (64 KEYS)	-	1	-	-	-	-	-	-	-	-	-
3	3	C-AD-7015050-0-0	7015050-00	SPACE BAR ASSY	1	1	1	1	1	1	1	1	1	1	-
4	4		1214332-00	SW,ARRAY CAP ADAPTER	83	65	83	83	83	83	83	83	83	83	83
5	5		1214333-72	KEYCAP SET,VT100	64PCS	1	1	-	-	-	-	-	-	-	-
6	6		1214333-91	KEYCAP SET,LA120/34 VT100	18PCS	1	-	-	-	-	-	-	-	-	-
7	7		1214333-00	KEYCAP SET,VT100-NA	82PCS	-	-	1	-	-	-	-	-	-	-
8	8	C-MD-7420120-0-0	7420120-00	CLIP, EQUALIZER BAR	2	2	2	2	2	2	2	2	2	2	2
9	9	D-AR-7015765-0-1		KEYBOARD/KEYCAP ASSY	REF	REF	REF	REF	REF	REF	REF	REF	REF	REF	REF
10	10		1214333-J0	KEYCAP SET,VT100-WA	82PCS	-	-	-	1	-	-	-	-	-	-
11	11		1214333-W2	SW,KEY BD CAP COMP SET U3-W1	-	-	-	-	1	-	-	-	-	-	-
12	12		1214333-CP	KEYCAP SET,VT100-WB	82PCS	-	-	-	-	1	-	-	-	-	-
13	13		1214333-CB	KEYCAP SET,VT100-WB	82PCS	-	-	-	-	-	1	-	-	-	-
14	14		1214333-8U	KEYCAP SET,VT100-WB	82PCS	-	-	-	-	-	-	1	-	-	-
15	15		1214333-EY	KEYCAP SET,VT100-WB	82PCS	-	-	-	-	-	-	-	1	-	-
16	16		1214333-2Y	KEYCAP SET,VT100	64PCS	-	-	-	-	-	-	-	-	1	-
17	17		1214333-3W	KEYCAP SET,LA120/34 VT100	18PCS	-	-	-	-	-	-	-	-	1	-
18	18	D-AD-7015050-0-0	7015050-01	SPACE BAR ASSY, GRAY	-	-	-	-	-	-	-	-	-	-	1
19	19	A-SF-3700555-0-0	3700555-00	PKG KEYBOARD 7015765	1	1	1	1	1	1	1	1	1	1	1
20	20	A-SF-3700439-0-0	3700439-00	INSTR PKG. BULK CARTON 99-06476-	1	1	1	1	1	1	1	1	1	1	1

REVISION HISTORY		BASIC PART NO: 7015765		DRN: ANGEL COLON		DATE: 3 APR 78		D I G I T A L			
ENG!	ECO NUMBER	REV	SECTION A OF A	CHK'D: D. HEALY		DATE: 7 APR 78		TITLE PARTS LIST			
---	INITIAL	F	SECTION. VARIATION INDEX	DES.ENG.: E. WEDEKING		DATE: 10 MAY 78		DOCUMENT NUMBER			
JD	7015765-ML005	F	[A] 00,01,02,03,04,05, 06,07,08,09	RESP.ENG.: G. DOUMANI		DATE: 17 MAY 7		SIZE CODE NUMBER REV			
			[B]	MFG.ENG.: K. HOFFMAN		DATE: 10 MAY 78		K	PL	7015765-0-DBP	F
			[C]	ASSEMBLY NUMBER:		TOP DOCUMENT NUMBER:		FILE NAME:		EDIT #	
			[D]	D-AD-7015765-0-0		#B-DD-7015765-0		Z1933F.PLS		4	
			[E]								
			[F]								

"THIS DRAWING AND SPECIFICATIONS HEREIN, ARE THE PROPERTY OF DIGITAL EQUIPMENT CORPORATION AND SHALL NOT BE REPRODUCED OR COPIED OR USED IN WHOLE OR IN PART AS THE BASIS FOR THE MANUFACTURE OR SALE OF ITEMS WITHOUT WRITTEN PERMISSION. COPYRIGHT (C) 1981. DIGITAL EQUIPMENT CORPORATION"



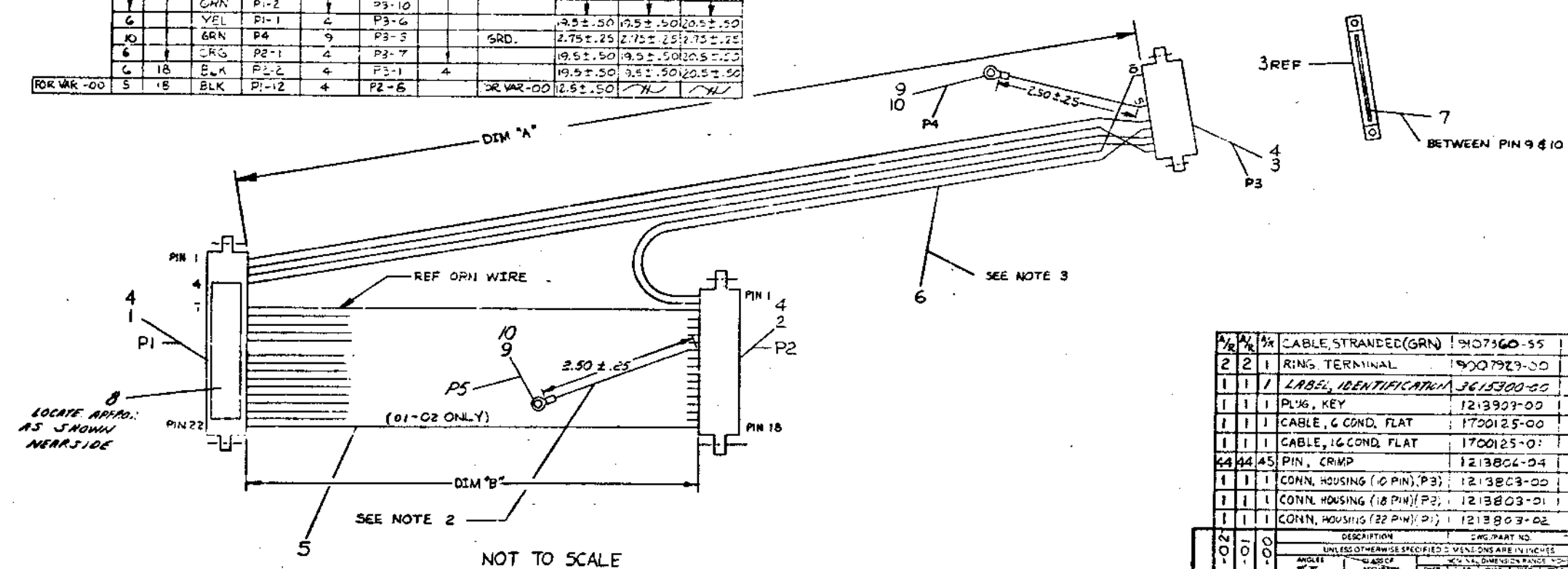
REV	DATE	BY	DESCRIPTION
1	12/16/92	J. DEMARIS	INITIAL RELEASE
2	12/16/92	J. DEMARIS	REVISION
3	12/16/92	J. DEMARIS	REVISION
4	12/16/92	J. DEMARIS	REVISION
5	12/16/92	J. DEMARIS	REVISION
6	12/16/92	J. DEMARIS	REVISION
7	12/16/92	J. DEMARIS	REVISION
8	12/16/92	J. DEMARIS	REVISION

DESCRIPTION	DWG. PART NO.	REV. NO.			
UNLESS OTHERWISE SPECIFIED DIMENSIONS ARE IN INCHES					
ANGLES	CLASS OF ACCURACY	NOMINAL DIMENSION RANGE INCHES			
30°	0.004	0.125 - 0.250			
45°	0.004	0.250 - 0.500			
60°	0.004	0.500 - 1.000			
90°	0.004	1.000 - 2.000			
120°	0.004	2.000 - 3.000			
150°	0.004	3.000 - 4.000			
180°	0.004	4.000 - 5.000			
SURFACE QUALITY IN MICROMETRES					
CHECK ONE	MEDIUM	PREFERRED			
0.004	0.008	0.012	0.016	0.024	0.04
0.012	0.016	0.025	0.04	0.063	0.1
THIRD ANGLE PROJECTION			FIRST USED ON		
CHECK ONE			DIGITAL		
REMOVE BURRS AND BREAK SHARP CORNERS			TITLE		
DO NOT SCALE DWG			KEYBOARD CAP POSITION ARRANGEMENT		
NEXT HIGHER ASSY.			NUMBER		
MATERIAL			REV.		
SCALE			SIZE D		
FINISH			SHEET OF DIST		

THIS DRAWING AND SPECIFICATIONS ARE THE PROPERTY OF DIGITAL EQUIPMENT CORPORATION AND SHALL BE KEPT CONFIDENTIAL. NO PART OF THIS DRAWING OR SPECIFICATIONS SHALL BE REPRODUCED OR TRANSMITTED IN ANY FORM OR BY ANY MEANS, ELECTRONIC OR MECHANICAL, INCLUDING PHOTOCOPYING, RECORDING, OR BY ANY INFORMATION STORAGE AND RETRIEVAL SYSTEM, WITHOUT THE WRITTEN PERMISSION OF DIGITAL EQUIPMENT CORPORATION.

WIRE TABLE							OVER ALL CABLE L.			
ITEM NO.	DESCRIPTION	FROM	TO	REMARKS	PRECUT WIRE LG FOR VAR-00	PRECUT WIRE LG FOR VAR-01	PRECUT WIRE LG FOR VAR-02	VARIATION	DIM A	DIM B
5	RED	P1-22	P2-18		12.5 ± .50	2.5 ± .50	12.5 ± .50			
	RED	P1-21	P2-17							
	RED	P1-20	P2-16							
	RED	P1-19	P2-15							
	RED	P1-18	P2-14							
	BLK	P1-17	P2-13							
	BLK	P1-16	P2-12							
	BLK	P1-15	P2-11							
	BLK	P1-14	P2-10							
	BLK	P1-13	P2-9		12.5 ± .50	2.5 ± .50	12.5 ± .50			
FOR VAR-01	GRN	P1-9	P2-3	GRD. WIRE	2.75 ± .25	2.75 ± .25	2.75 ± .25			
5	RED	P1-11	P2-7		12.5 ± .50	2.5 ± .50	12.5 ± .50			
	RED	P1-10	P2-6							
	BLK	P1-9	P2-5							
	BLK	P1-8	P2-4							
5	GRN	P1-7	P2-3		12.5 ± .50	2.5 ± .50	12.5 ± .50			
6	WHT	P1-4	P3-9		19.5 ± .50	19.5 ± .50	19.5 ± .50			
	GRY	P1-3	P3-8							
	GRN	P1-2	P3-10							
6	YEL	P1-1	P3-6		19.5 ± .50	19.5 ± .50	19.5 ± .50			
10	GRN	P4	P3-3	GRD.	2.75 ± .25	2.75 ± .25	2.75 ± .25			
6	GRN	P2-1	P3-7		19.5 ± .50	19.5 ± .50	19.5 ± .50			
6	BLK	P2-2	P3-1		19.5 ± .50	3.5 ± .50	19.5 ± .50			
FOR VAR-00	5	BLK	P1-12	P2-6	DR VAR-00	2.5 ± .50				

- NOTES:
- IDENTIFICATION: DECAL USING 1/8" CHARACTER HEIGHT AS INDICATED BELOW TO HIGHEST LEVEL OF SUBASSEMBLY SPECIFIED ON PURCHASE ORDER AND LOCATE APPROX. AS SHOWN ON DRAWING.
A.) PART NUMBER
B.) REVISION
C.) VENDOR IDENTIFICATION
D.) DATE, CODE
 - ON VARIATION (01-02), CUT BACK BLK WIRE FROM P2-5 TO P1-12 2.5 ± .25 IN. FROM BOTH ENDS.
 - CUT BACK GRN & BLK WIRES OF (ITEM#6) TO 12.5 ± .25 IN.



QTY	W	PK	DESCRIPTION	ORG. PART NO.	TM. NO.
2	2	1	CABLE, STRANDED (GRN)	9107360-55	0
2	2	1	RING, TERMINAL	19007929-00	2
1	1	1	LABEL, IDENTIFICATION	3615300-00	2
1	1	1	PLUG, KEY	1213903-00	7
1	1	1	CABLE, 6 COND. FLAT	1700125-00	6
1	1	1	CABLE, 16 COND. FLAT	1700125-00	5
44	44	45	PIN, CRIMP	1213804-04	4
1	1	1	CONN. HOUSING (0 PIN) (P3)	1213803-00	3
1	1	1	CONN. HOUSING (18 PIN) (P2)	1213803-01	2
1	1	1	CONN. HOUSING (22 PIN) (P1)	1213803-02	1

DESCRIPTION	ORG. PART NO.	TM. NO.
UNLESS OTHERWISE SPECIFIED, DIMENSIONS ARE IN INCHES		
ANGLE	NO. OF	MIN. DIMENSION RANGE
SURFACE	ACCURACY	
QUALITY	CHECK ONE	
	MEDIUM	
QUANTITY & VARIATION	MICROINCHES	PREFERRED
DRAWN	DATE	FIRST USED ON
CHECKED		
ENG.		
PROD. ENG.		
PROD.		
DO NOT SCALE DWG	NEXT HIGHER ASSY.	
MATERIAL	SCALE	SIZE CODE
FINISH		

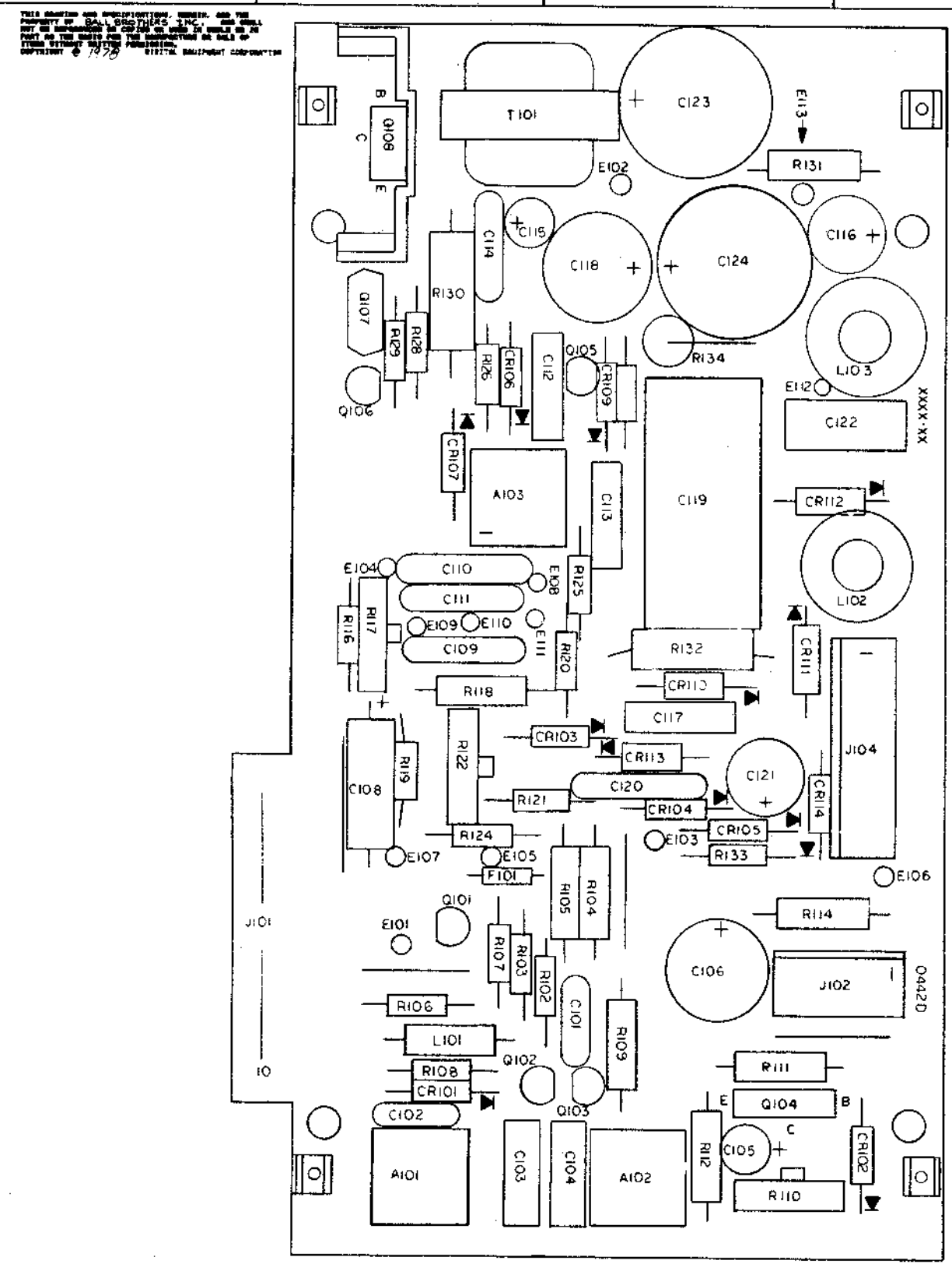
TITLE: POWER CABLE ASSY

NUMBER: 1214978-0-1

SHEET: 1 OF 1

REVISIONS

NO.	DESCRIPTION	DATE	BY
1	INITIAL DESIGN		
2	REVISED TO INCLUDE...		
3	REVISED TO INCLUDE...		
4	REVISED TO INCLUDE...		
5	REVISED TO INCLUDE...		



NOTES:
 1) FLYBACK TRANSFORMER REPLACEMENT 3014590-01
 2) PRINTED CIRCUIT BOARD REPLACEMENT 3014590-02

CHANGE NO	REV

COPIED BY WRITTEN PERMISSION OF BALL BROTHERS INC.

REF SYM	DESCRIPTION	PART NUMBER
RESISTOR, FIXED, CARBON, 5%, 1/4W UNLESS NOTED		
R101	47	70-16-0470
R102	30	70-16-0300
R103	47	70-16-0470
R104	220, 1/2W	1-011-2254
R105	820, 1/2W	1-011-2258
R106	470	70-16-0471
R107	360	70-16-0361
R108	100K	70-16-0104
R109	180, 1/2W	1-011-2252
R110	VAR; 250 20%, CO VERT HGT	70-89-0251
R111	12, 1/2W	1-011-2224
R112	15, 1/2W	1-011-2226
R113	NOT USED	
R114	1.5K; 1/2W	1-011-2274
R115	NOT USED	
R116	62K	70-16-0623
R117	100K, 20P	1-011-5435
R118	30K, 1/2W	1-011-2305
R119	9.1K	70-16-0812
R120	8.2M	70-16-0825
R121	100K	70-16-0104
R122	VAR; 2.5M 20%, CO FOC ADJ	1-011-5566
R123	NOT USED	
R124	510	70-16-0511
R125	1K	70-16-0102
R126	20K	70-16-0203
R127	3.3K	70-16-0332
R128	15K	70-16-0153
R129	2.4K	70-16-0242
R130	56 10; 3W, W	1-011-2521
R131	1.2; 1/2W, CO	1-011-2520
R132	1.2 10; 2W, W	1-011-1395
R133	6.8K	70-16-0682
R134	1.8, 2W	1-011-2417
R135	NOT USED	
TRANSFORMER		
T2	HIGH VOLTAGE	6-003-0586
T101	HEATZ DRIVER	1-017-5402
MISCELLANEOUS		
	*CRY SOCKET	1-022-0427
	WIRE STRD GRN	1-038-0345
	HEATSINK	1-015-5059
	WIRE STRD BLU	1-038-0346
	WIRE STRD RED	1-038-0342
	CONTACT, FEMALE 2	1-034-0362
	MONSCR 6-32X1/4	3-011-0310
	NUT 6-32	3-012-0161
	LX WSHR #6	3-013-0160
	PWB	1-029-0442
	CONTACT, MALE	1-034-0235
	CONN SHELL, 1 CONT FEMALE	1-034-0323
WIRE TERMINATION DATA		
E103	CRY SOCKET YEL LEAD	
E105	CRY SOCKET BRN LEAD	
E107	CRY SOCKET BLK LEAD	
E108	CRY SOCKET RED LEAD	
E109	CRY SOCKET WHT LEAD	
E110	GRN WIRE 6.5 INCHES	
E111	CRY SOCKET GRN LEAD	
E112	BLUE WIRE 10 INCHES	
E113	RED WIRE 10 INCHES	

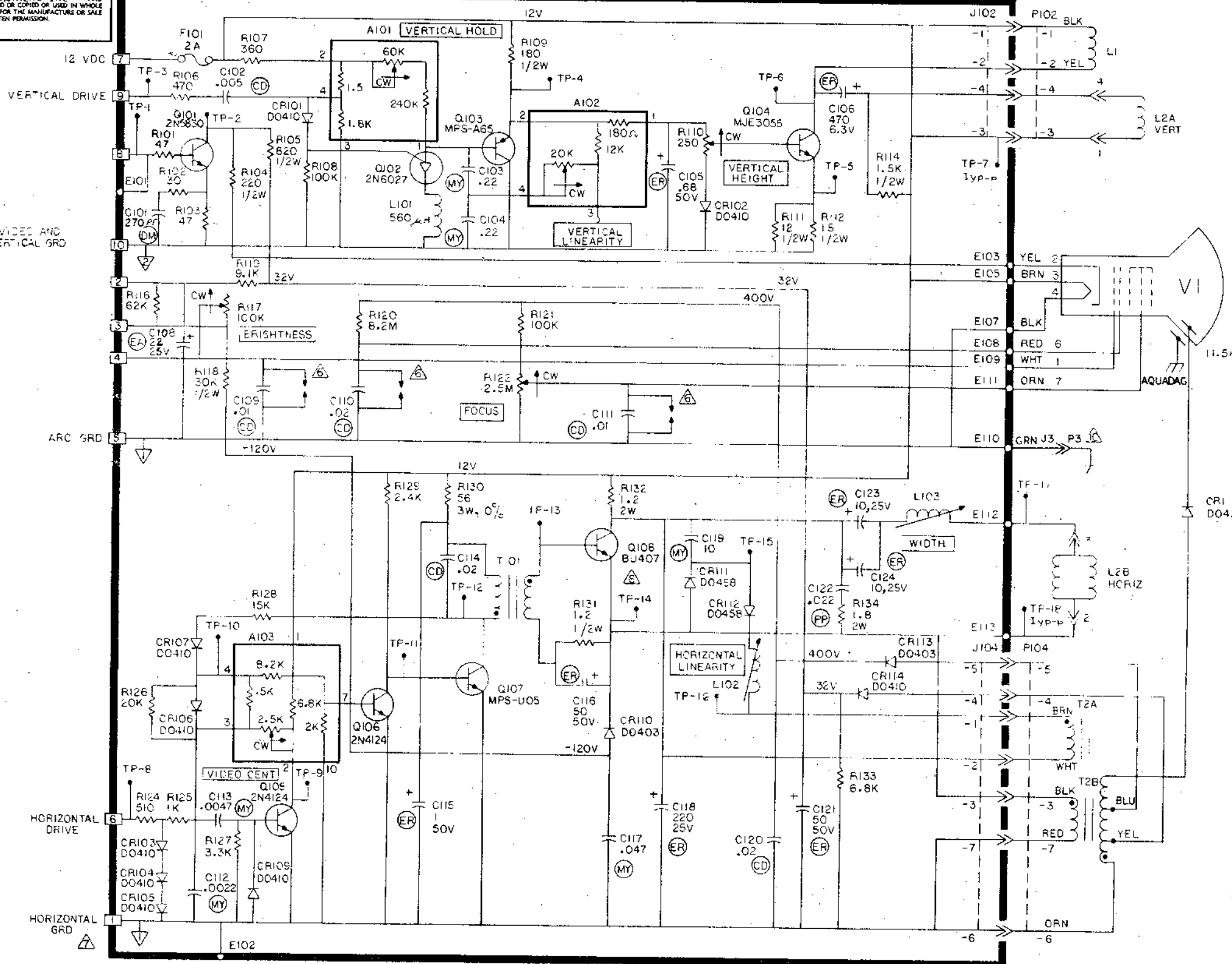
- NOTES:
- REFERENCE SCHEMATIC 1-024-0600
 - ALL REFERENCE SYMBOL NUMBERS 1 TO 99 ARE USED FOR ALL OFF BOARD COMPONENTS AND NUMBERS 100 TO 999 ARE USED FOR THE PWA COMPONENTS.
 - ALL PWA COMPONENTS PRECEDED WITH AN ASTERISK ARE NOT PART OF THE BASIC BOARD 6-200-0001.

REF SYM	DESCRIPTION	PART NUMBER
RES TRIM, 60K, VERT HOLD		
A101	RES TRIM, 60K, VERT HOLD	1-011-8006
A102	RES TRIM, 20K, VERT LIN	1-011-8005
A103	RES TRIM, 2.5K, VIDEO CENTER	1-011-8001
CAPACITOR, FIXED, UF UNLESS NOTED		
C101	270PF 5%, 500V, DM	1-012-0396
C102	.005 20%, 100V, CO	10-12-7508
C103	.22 10%, 100V, MY	1-012-2277
C104	.22 10%, 100V, MY	1-012-2277
C105	.68, 50V, E	1-012-2264
C106	470, 5.3V, E	1-012-2158
C107	NOT USED	
C108	22, 25V, E	1-012-1380
C109	.01 20%, 1000V, CO	1-012-2214
C110	.02 20%, 1000V, CO	1-012-2217
C111	.01 20%, 1000V, CO	1-012-2214
C112	.0022 10%, 630V, MY	1-012-2254
C113	.0047 20%, 630V, MY	1-012-2279
C114	.08 20%, 100V, CO	10-12-7209
C115	1, 50V, E	1-012-2189
C116	50, 50V, E	1-012-2157
C117	.047 20%, 250V, MY	1-012-2240
C118	220, 25V, E	1-012-2159
C119	10 10%, 100V, MY	1-012-2255
C120	.02 20%, 500V, CO	1-012-0780
C121	50, 50V, E	1-012-2157
C122	.022 10%, 250V, PP	1-012-2273
C123	10, 25V, ER	1-012-2273
C124	10, 28V, ER	1-012-2273
DIODE		
CR1	00424	1-021-0424
CR101	00410	1-021-0410
CR102	00410	1-021-0410
CR103	00410	1-021-0410
CR104	00410	1-021-0410
CR105	00410	1-021-0410
CR106	00410	1-021-0410
CR107	00410	1-021-0410
CR108	NOT USED	
CR109	00410	1-021-0410
CR110	00403	1-021-0403
CR111	00458	1-021-0458
CR112	00458	1-021-0458
CR113	00403	1-021-0403
CR114	00410	1-021-0410
FUSE		
F101	2A-125V P100	1-028-0247
CONNECTORS		
J102	CONNECTOR, 4 PIN MALE	1-039-0146
J103	NOT USED	
J104	CONNECTOR, 7 PIN MALE	1-039-0145
COIL		
L1	VERTICAL CHOKE	6-003-0572
L2	DEFLECTION, TVX 120/12V	1-023-0246
L101	560OH	1-016-0302
L102	LINEARITY	1-016-0328
L103	WIDTH	1-016-0303
TRANSISTOR		
Q101	2N5830	1-015-1172
Q102	2N6027	1-015-1157
Q103	MPS-465	1-015-1186
Q104	MJE3055	1-015-1156
Q105	2N4124	1-015-1139
Q106	2N4124	1-015-1139
Q107	MPS-405	1-015-1159
Q108	BU407	1-015-1210

SIGNATURES		DATE	digital
DRN.	<i>[Signature]</i>	2-18-78	
CHK'D	<i>[Signature]</i>	2-2-78	TITLE SCHEMATIC
ENG.	<i>[Signature]</i>	12-6-75	
PROJ. ENG.	<i>[Signature]</i>	12-6-75	TVX120/DEC 12 VOLT
PROD.			
SCALE			
SHT.	1 OF 2		
NEXT HIGHER ASSY.			

THIS DRAWING AND SPECIFICATIONS HEREIN ARE THE PROPERTY OF BALL BROTHERS, INC. AND SHALL NOT BE REPRODUCED OR COPIED OR USED IN WHOLE OR IN PART AS THE BASIS FOR THE MANUFACTURE OR SALE OF ITEMS WITHOUT WRITTEN PERMISSION. COPYRIGHT ©

CS 3014590-0-1



- GENERAL NOTES: UNLESS OTHERWISE SPECIFIED
1. ALL RESISTORS 1/4W, 5%, VALUE IN OHMS.
 2. ALL CAPACITOR VALUES IN MICROFARADS. FOR CAPACITOR TYPES, SEE NOTE NO. 9.
 3. DENOTES J101 PC CARD EDGE CONNECTOR.
 4. DENOTES CONNECTION TO OFF BOARD COMPONENTS.
 5. REFERENCE DESIGNATIONS NOT USED: J103, C107, CR108, R101, R113, R115, R123
- LAST REFERENCE DESIGNATION USED: R134, C124
- PROTECTIVE ARC GAPS ARE AN INTEGRAL PART OF PRINTED WIRE BOARD.
- THE PWB CIRCUIT GROUNDS ARE BROUGHT OUT SEPARATELY TO PINS 1, 5 AND 10 OF J101. PWB CIRCUIT GROUNDS FOR PINS 1 AND 5 OF J101 ARE CONNECTED TOGETHER BY A JUMPER WIRE ON THE BOARD AND ARE CONNECTED TO CHASSIS GROUND VIA A WIRE FROM E110.
- DENOTES HEATSINK
9. = DIPPED MICA
 = CERAMIC DISC
 = MYLAR
 = ELECTROLYTIC AXIAL
 = ELECTROLYTIC RADIAL
 = POLYPROPYLENE
 GROUNDED TO AQUADAG (BY SPRING

COPIED BY WRITTEN PERMISSION OF BALL BROS.

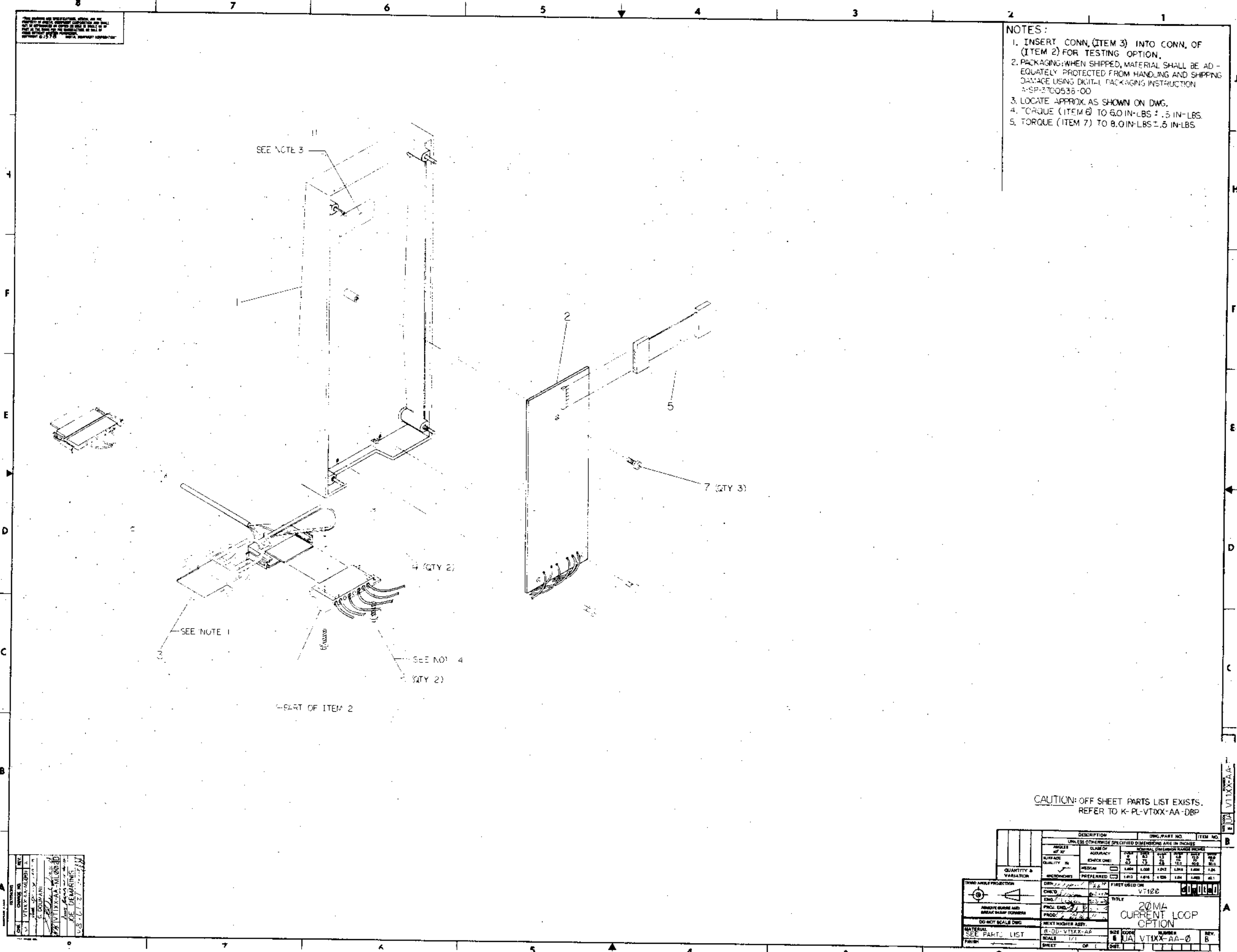
REV.	CHG.	REVISIONS

DRN. <i>W. D. Smith</i> 7/20/78	FIRST USED ON
CHK'D <i>W. D. Smith</i> 12-6-78	VT100
ENG. <i>B. P. Pava</i> 12-6-78	TITLE
PROJ. ENG. <i>B. P. Pava</i> 12-6-78	SCHEMATIC
PRD.	TVX120/DEC
NEXT HIGHER ASSY.	12 VOLT
E-UA-VT100-0-0	SIZE CODE
SCALE NONE	D
SHEET 2 OF 2	NUMBER
	CS 3014590-0-1
	REV. A

D CS 3014590-0-1 A

THIS DRAWING IS UNCLASSIFIED UNLESS AN
 AUTHORITY HAS DETERMINED OTHERWISE AND SHALL
 REMAIN UNCLASSIFIED UNLESS SO INDICATED
 DATE 12/18/03 BY 60322/UC/BAW/SJS

- NOTES:
1. INSERT CONN. (ITEM 3) INTO CONN. OF (ITEM 2) FOR TESTING OPTION.
 2. PACKAGING: WHEN SHIPPED, MATERIAL SHALL BE ADEQUATELY PROTECTED FROM HANDLING AND SHIPPING DAMAGE USING DIGITAL PACKAGING INSTRUCTION 4-SP-3700535-00
 3. LOCATE APPROX. AS SHOWN ON DWG.
 4. TORQUE (ITEM 6) TO 6.0 IN-LBS \pm .5 IN-LBS.
 5. TORQUE (ITEM 7) TO 8.0 IN-LBS \pm .5 IN-LBS.



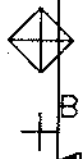
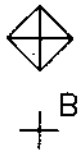
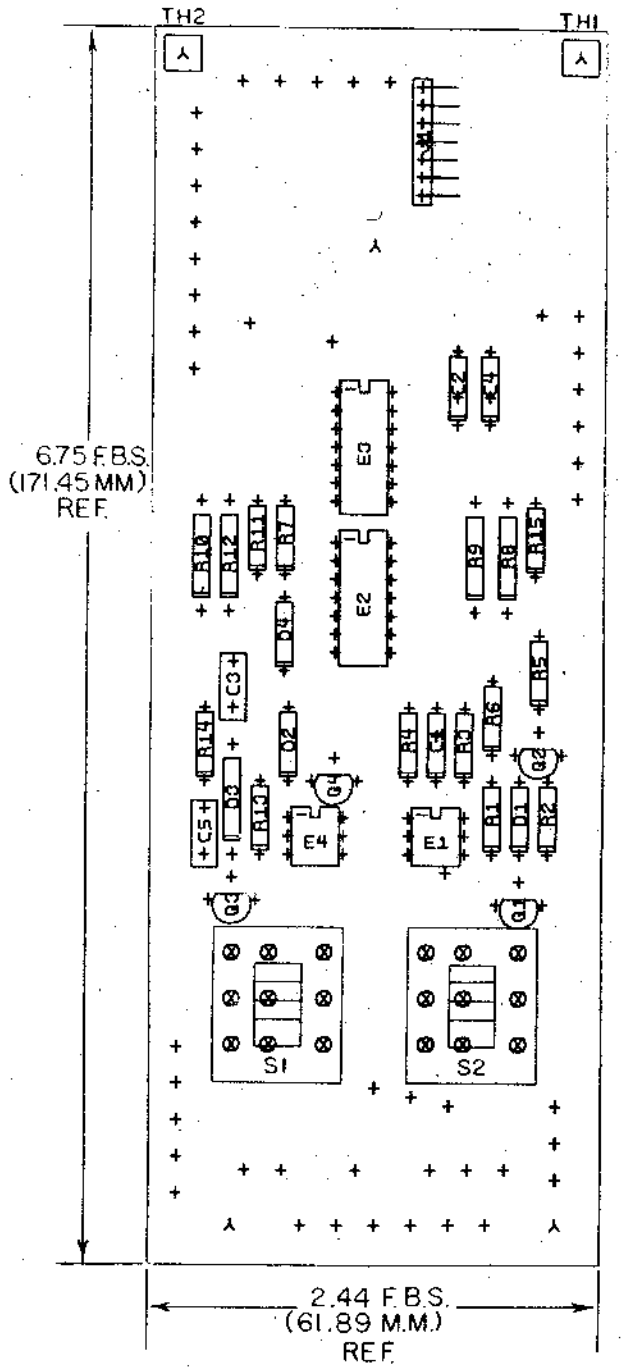
CAUTION: OFF SHEET PARTS LIST EXISTS.
 REFER TO K-PL-VTIXX-AA-DBP

REV	DESCRIPTION	DATE
1	ISSUED FOR TESTING	12/18/03
2	ISSUED FOR TESTING	12/18/03
3	ISSUED FOR TESTING	12/18/03
4	ISSUED FOR TESTING	12/18/03
5	ISSUED FOR TESTING	12/18/03
6	ISSUED FOR TESTING	12/18/03
7	ISSUED FOR TESTING	12/18/03
8	ISSUED FOR TESTING	12/18/03

DESCRIPTION	20MA CURRENT LOOP OPTION
DISC. PART NO.	00000000
ITEM NO.	1
UNLESS OTHERWISE SPECIFIED DIMENSIONS ARE IN INCHES	
ANGLE	CLAMP
NO. OF	ACCURACY
STORAGE	CHECK ONE
QUALITY	IN
QUANTITY & VARIATION	PREFERRED
DO NOT SCALE DIM.	
MATERIAL SEE PARTS LIST	
FINISH	
DATE	

THIS DRAWING AND SPECIFICATIONS, HEREIN, ARE THE PROPERTY OF DIGITAL EQUIPMENT CORPORATION AND SHALL NOT BE REPRODUCED OR TRANSMITTED IN ANY FORM OR BY ANY MEANS, ELECTRONIC OR MECHANICAL, INCLUDING PHOTOCOPYING, RECORDING, OR BY ANY INFORMATION STORAGE AND RETRIEVAL SYSTEM, WITHOUT PERMISSION IN WRITING FROM DIGITAL EQUIPMENT CORPORATION.
 COPYRIGHT © 1977 DIGITAL EQUIPMENT CORPORATION

COMPONENT SIDE VIEW



NOTES:

CHG	NO	REV

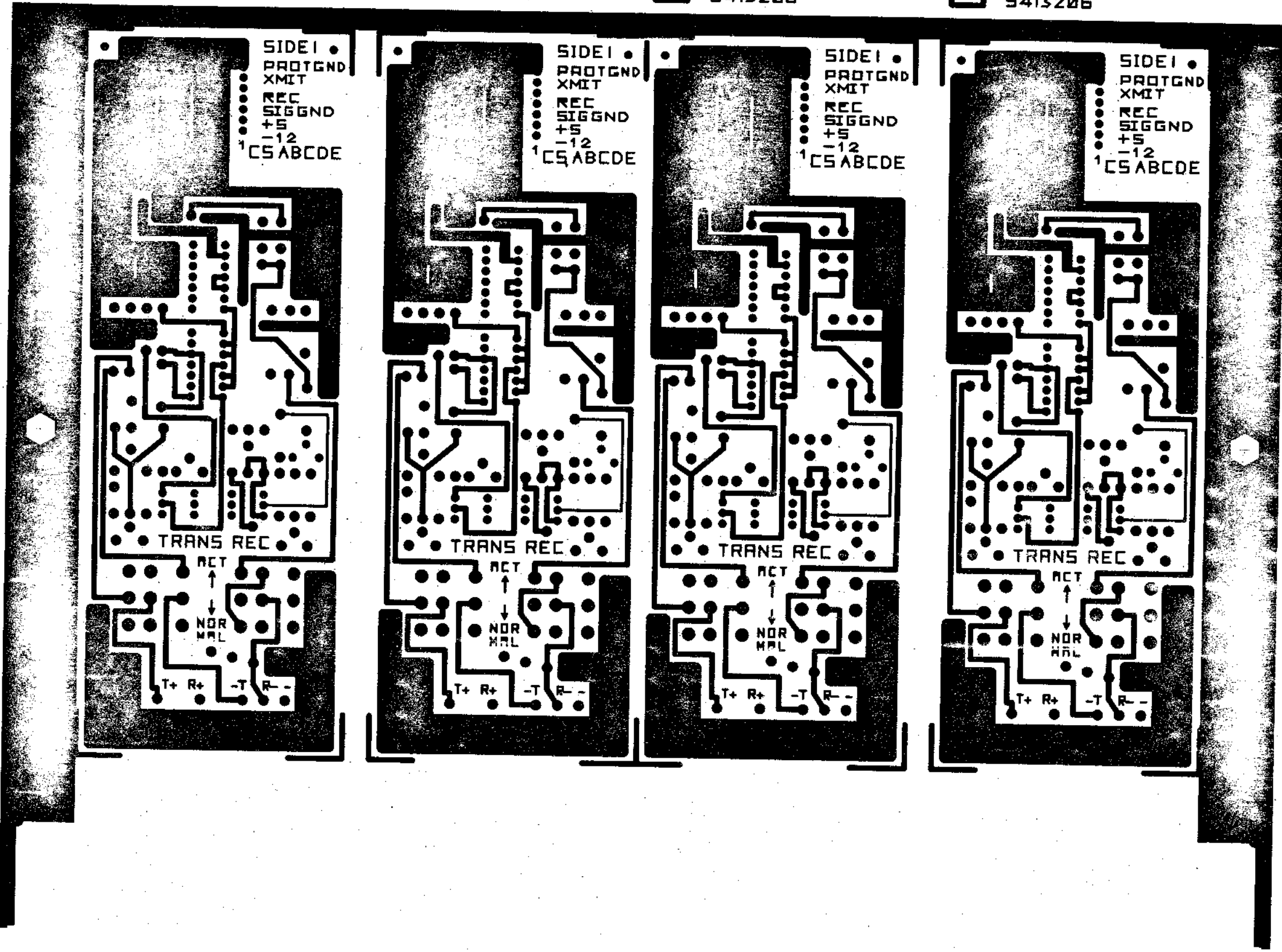
ETCH REV.	C
P.C. DESIGN DATA BASE REV.	C

SIGNATURES		DATE	digital	
DRN. <i>V. Panchanathan</i>		11-16-77		
CHK'D. <i>R. L. ...</i>		11-17-77		
ENC. <i>S. ...</i>		11-17-77		
PRD. ENC. <i>M. ...</i>		11/17/77		
PRD. <i>Richard Lucia</i>		11/18/77		
SCALE	2/1	SIZE CODE	NUMBER	REV
SHT.	1 OF 3	d	UA 5413206-0-0	B
NEXT HIGHER ASSY. B-DD-5413206-0				

D UA 5413206-0-0 B

THIS DRAWING AND ALL INFORMATION CONTAINED HEREIN ARE THE PROPERTY OF DIGITAL EQUIPMENT CORPORATION AND SHALL NOT BE REPRODUCED OR TRANSMITTED IN ANY FORM OR BY ANY MEANS, ELECTRONIC OR MECHANICAL, INCLUDING PHOTOCOPYING, RECORDING, OR BY ANY INFORMATION STORAGE AND RETRIEVAL SYSTEM, WITHOUT WRITTEN PERMISSION FROM DIGITAL EQUIPMENT CORPORATION.

8 7 6 5 4 3 2 1
 5013205C 5413206 5013205C 5413206 5013205C 5413206 5013205C 5413206
 8 0-0-9022196 DUA 5413206-0-0 2



VIEWED FROM SIDE 1

REVISIONS		
CHK	CHANGE NO.	REV.

DEC FORM NO. 117

TITLE	20MA ADAPTOR	SIZE CODE	D UA	NUMBER	5413206-0-0	REV.	B
SCALE	2:1	SHEET	2 OF 3	DIST.			

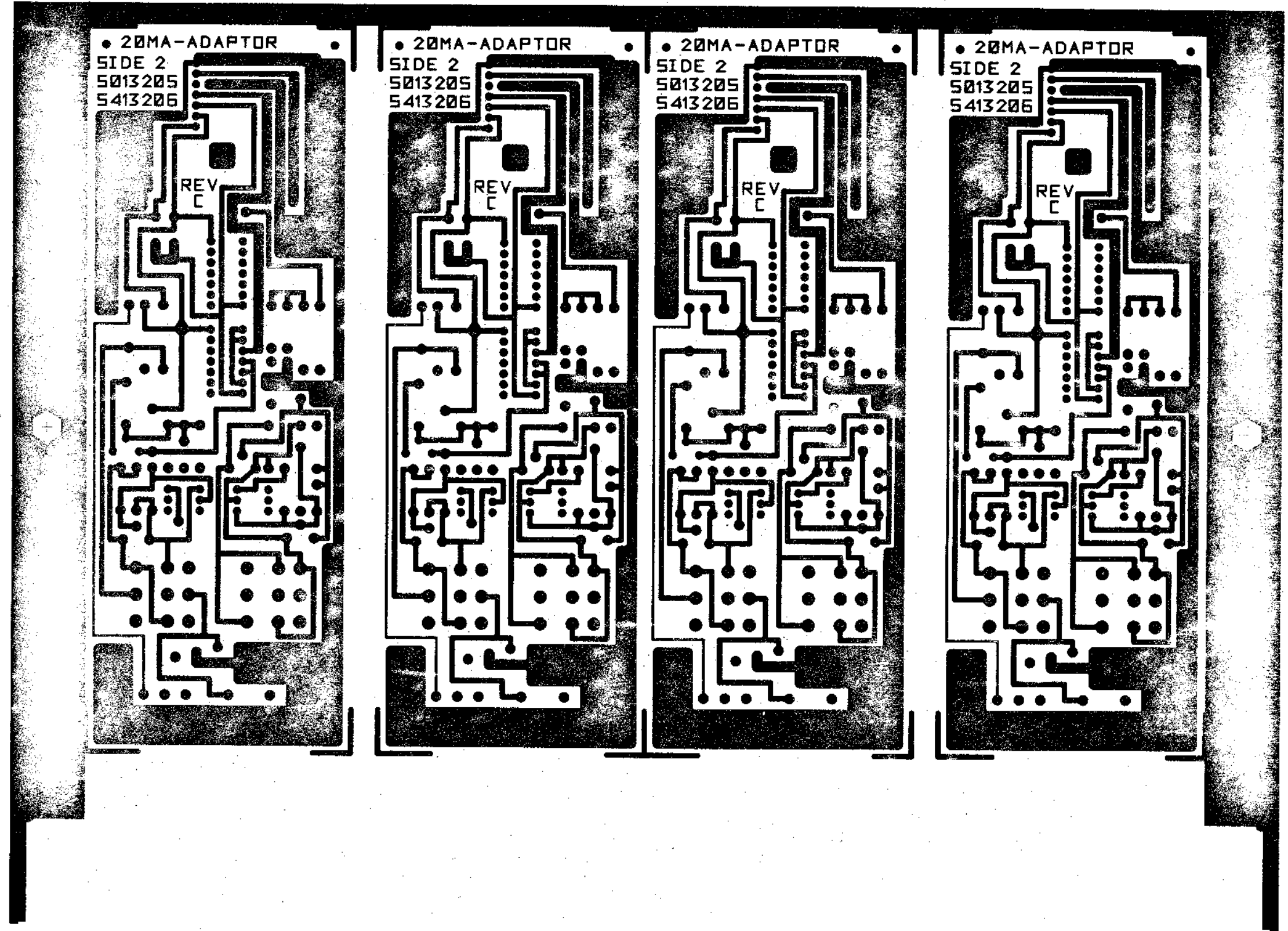
DUA 5413206-0-0 B

B

A

THIS DRAWING AND SPECIFICATIONS ARE THE PROPERTY OF DIGITAL EQUIPMENT CORPORATION AND SHALL NOT BE REPRODUCED OR COPIED IN WHOLE OR IN PART AS THE BASIS FOR THE MANUFACTURE OF ITEMS WITHOUT WRITTEN PERMISSION. COPYRIGHT © DIGITAL EQUIPMENT CORPORATION 1978

DIA 5413206-0-0 B 2



VIEWED FROM SIDE 2

REVISIONS		
CHK	CHANGE NO	REV

TITLE	SIZE CODE	NUMBER	REV.
20 MA ADAPTOR	D UA	5413206-0-0	B
SCALE 2:	SHEET 3 OF 3	DIST	

DIA 5413206-0-0 B

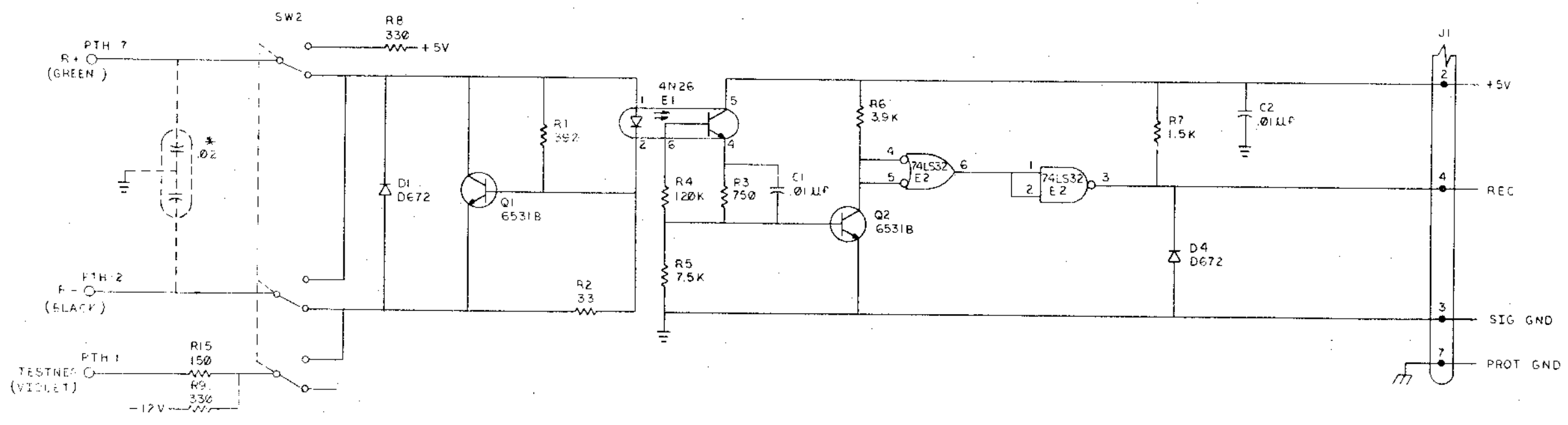
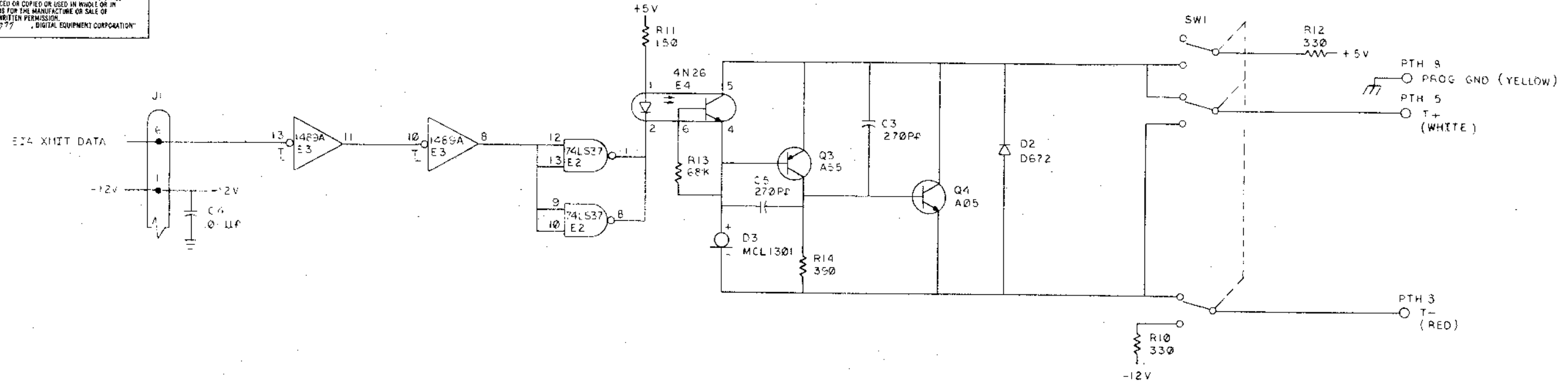
LINE	ITEM	DOCUMENT NUMBER	PART NUMBER	DESCRIPTION	QTY	PER VARIATION	REFERENCE DESIGNATOR
1	1	D-AD-5013205-0-0	5013205-00	ETCH BOARD FOR 5413206	1		
2	2		1000022-00	270.0 MWF 100V 5%200PPM MICA	2		C3,C5
3	3		1001610-00	.01 MFD 50V +80-20% 250 CER	3		C1,C2,C4
4	4		1105275-00	D 672 TR= 15NS PIV= 60V SI	3		D1,D2,D4
5	5		1105610-00	MCL1301 CL31MA FROM10-80V	1		D3
6	6		1215048-01	CONN 7POS RT ANGLE	1		J1
7	7		1215089-00	SW,SLIDE 3P 1A DBLE THROW	2		S1,S2
8	8		1301522-00	27.0 .25 W 5.0 % CC	1		R2
9	9		1300250-00	150.0 .25 W 5.0 % CC	2		R11,R15
10	10		1300296-00	330.0 .50 W 5.0 % CC	4		R8,R9,R10,R12
11	11		1300309-00	390.0 .25 W 5.0 % CC	2		R1,R14
12	12		1300391-00	1.50 K .25 W 5.0 % CC	1		R7
13	13		1300444-00	3.90 K .25 W 5.0 % CC	1		R6
14	14		1300539-00	120.0 K .25 W 5.0 % CC	1		R4
15	15		1301327-00	68.0 K .25 W 5.0 % CC	1		R13
16	16		1301401-00	750.0 .25 W 5.0 % CC	1		R3
17	17		1301422-00	7.50 K .25 W 5.0 % CC	1		R5
18	18		1509338-00	DEC6531B NPN 310MA SI 40 90 P	2		Q1,Q2
19	19		1510705-00	XA 05 NPN 500MA SI 60 50 P	1		Q4
20	20		1510706-00	XA 55 PNP 500MA SI 60 50 P	1		Q3
21	21		1916959-00	POTOTRANSISTOR	2		E1,E4
22	22		1912817-00	LS37 NAND GATE=QUAD 2IN,P	1		E2
23	23		1913130-00	DEC 1489A RECEIVER,LINE,QUAD,	1		E3
24	24		1113003-00	IN 5282 PIV=55 I=500M D035	1		D5

REVISION HISTORY		BASIC PART NO: 5413206		DRN: T. SHETRAWSKI		DATE: 30-MAR-78		D I I G I T A L		
ENGR	ECO NUMBER	REV	SECTION A OF A	CHK'D	T. SHETRAWSKI	DATE: 30-MAR-78	TITLE PARTS LIST			
	INIT	B	SECTION VARIATION INDEX				20 MA ADAPTER			
18	5413206-PN001	C	(A) 00				DOCUMENT NUMBER			
			(B)				SIZE CODE NUMBER REV			
			(C)	DES. ENG: H. MORGENSTERN		DATE: 30-MAR-78				
			(D)							
			(E)							
			(F)	RESP. ENG: H. MORGENSTERN		DATE: 30-MAR-78				
			(G)							
			(H)							
			(J)							
			(K)	MFG. ENG: T. CURCIARI		DATE: 30-MAR-78	K	PL	5413206-0-DBP	C
			(L)							
			(M)	ASSEMBLY NUMBER:		TOP DOCUMENT NUMBER:		FILE NAME:		EDIT #
			(N)	D-UA-5413206-0-0		19100		13206C.PLS		6

"THIS DRAWING AND SPECIFICATIONS HEREIN, ARE THE PROPERTY OF DIGITAL EQUIPMENT CORPORATION AND SHALL NOT BE REPRODUCED OR COPIED OR USED IN WHOLE OR IN PART AS THE BASIS FOR THE MANUFACTURE OR SALE OF ITEMS WITHOUT WRITTEN PERMISSION. COPYRIGHT (C) 1980, DIGITAL EQUIPMENT CORPORATION"

"THIS DRAWING AND SPECIFICATIONS HEREIN ARE THE PROPERTY OF DIGITAL EQUIPMENT CORPORATION AND SHALL NOT BE REPRODUCED OR COPIED OR USED IN WHOLE OR IN PART AS THE BASIS FOR THE MANUFACTURE OR SALE OF ITEMS WITHOUT WRITTEN PERMISSION.
 COPYRIGHT © 1977, DIGITAL EQUIPMENT CORPORATION"

DIGITAL EQUIPMENT CORPORATION
 5413206-0-1 B
 2



NOTE:
 1 * OPTIONAL

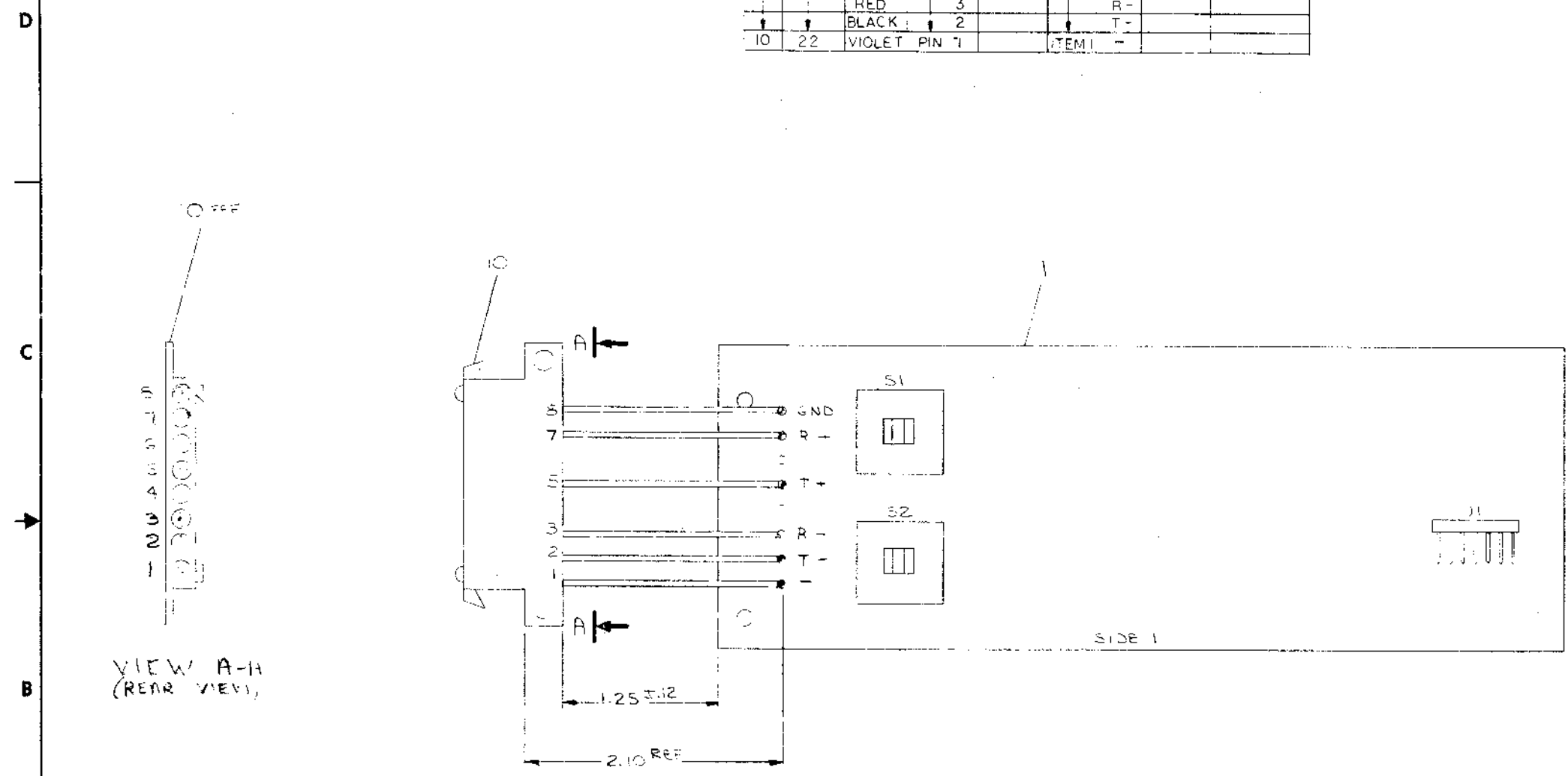
DRN	CHK'D	ENG.	PROJ. ENG.	PROD.	NEXT HIGHER ASSY.	FIRST USED ON	VT100	DIGITAL
						TITLE	20 MA	
							ADAPTOR	
D-UA-5413206-C-0	SCALE	SIZE	CODE	NUMBER	REV.			
		D	CS	5413206-0-1	B			
SHEET	GF	DIST.						

FW 1

THIS DRAWING AND SPECIFICATIONS, HEREIN, ARE THE PROPERTY OF DIGITAL EQUIPMENT CORPORATION AND SHALL NOT BE REPRODUCED OR COPIED OR USED IN WHOLE OR IN PART AS THE BASIS FOR THE MANUFACTURE OR SALE OF ITEMS WITHOUT WRITTEN PERMISSION. COPYRIGHT © 1977, DIGITAL EQUIPMENT CORPORATION.

WIRE TABLE							
ITEM NO.	AWG	COLOR	FROM		TO		REMARKS
			CONN	WITH	CONN	WITH	
10	22	YELLOW	PIN 8		ITEM 1 GND		
		GREEN	7		R+		
		WHITE	5		T+		
		RED	3		R-		
		BLACK	2		T-		
10	22	VIOLET	PIN 7		ITEM 1		

NOTES:
 1. FOR INDIVIDUAL FIELD SERVICE / CUSTOMER SPARES SHIPMENTS USE PACKAGING INSTRUCTIONS A-SP-3700550-0-0. FOR BULK INTERPLANT SHIPMENTS USE PACKAGING INSTRUCTIONS A-SP-3700429-0-0, VARIATION-03



VIEW A-A (REAR VIEW)

CAUTION: OFF SHEET PARTS LIST EXISTS, SEE K-PL-7015273 D-DBP.

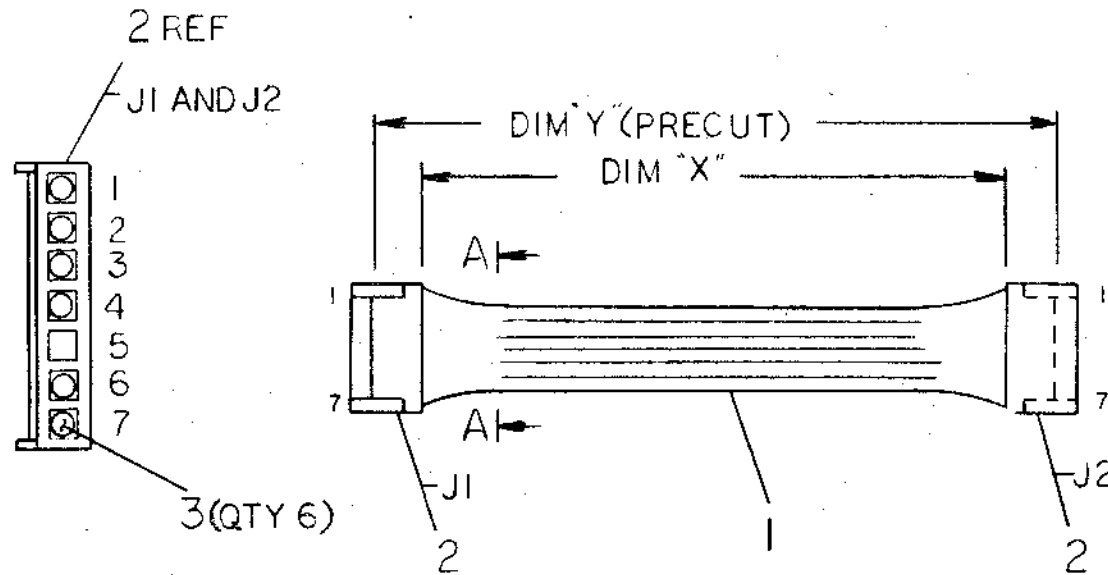
REV.	DATE	BY	CHK	DESCRIPTION
1				

DESCRIPTION	DWG. PART NO.	ITEM NO.
UNLESS OTHERWISE SPECIFIED DIMENSIONS ARE IN INCHES		
ANGLES ±0° 30'	CLASS OF ACCURACY	NOMINAL DIMENSION RANGE INCHES
SURFACE QUALITY IN	(CHECK ONE)	OVER 0 TO 0.2
QUANTITY & VARIATION	MEDIUM <input type="checkbox"/>	OVER 0.2 TO 1.2
THIRD ANGLE PROJECTION	PREFERRED <input type="checkbox"/>	OVER 1.2 TO 4.0
REMOVE BURRS AND BREAK SHARP CORNERS		OVER 4.0 TO 12.0
DO NOT SCALE DWG		OVER 12.0 TO 40.0
MATERIAL SEE PARTS LIST		OVER 40.0 TO 80.0
FINISH		OVER 80.0 TO 100.0

DRN. <i>[Signature]</i>	FIRST USED ON
CHK. <i>[Signature]</i>	VT120 digital
ENG. <i>[Signature]</i>	TITLE
PROJ. ENG. <i>[Signature]</i>	27 MA
PROD. <i>[Signature]</i>	ADAPTER ASLY
NEXT HIGHER ASSY.	
SIZE CODE	NUMBER
SCALE 2/1	D 1A7015273-0-0
SHEET OF	REV. B

"THIS DRAWING AND SPECIFICATIONS, HEREIN, ARE THE PROPERTY OF DIGITAL EQUIPMENT CORPORATION AND SHALL NOT BE REPRODUCED OR COPIED OR USED IN WHOLE OR IN PART AS THE BASIS FOR THE MANUFACTURE OR SALE OF ITEMS WITHOUT WRITTEN PERMISSION. COPYRIGHT © 1978, DIGITAL EQUIPMENT CORPORATION"

WIRE TABLE						
ITEM NUMBER	DESCRIPTION		FROM		TO	
	AWG	COLOR	CONNECTION	WITH	CONNECTION	WITH
1	24	BLK	J1-1	3	J2-1	3
			J1-2		J2-2	
			J1-3		J2-3	
			J1-4		J2-4	
			J1-6		J2-6	
	24	BLK	J1-7	3	J2-7	3



VIEW A-A
REAR VIEW
2 PLACES

LEGEND		
NUMBER	DIM "X" VARIATION	DIM "Y" (PRECUT) REF
7015506-02	2.0 IN ±.25 IN.	2.75 IN.

12	CONTACT, PIN	1214979-00	3
2	HOUSING, 7 CONN	1215047-01	2
AVR	WIRE, 24AWG, STRD (BLK)	9107450-00	1

DESCRIPTION	DWG./PART NO.	ITEM NO.
UNLESS OTHERWISE SPECIFIED DIMENSIONS ARE IN INCHES		
ANGLES ±0° 30'	CLASS OF ACCURACY	NOMINAL DIMENSION RANGE INCHES
SURFACE QUALITY IN	(CHECK ONE)	OVER 0 TO 0.2
	MEDIUM <input type="checkbox"/>	OVER 0.2 TO 1.2
MICROINCHES	PREFERRED <input type="checkbox"/>	OVER 1.2 TO 4.0
		OVER 4.0 TO 12.0
		OVER 12.0 TO 40.0
		OVER 40.0 TO 80.0
		OVER 80.0 TO 100.0

THIRD ANGLE PROJECTION	DRN. <i>W. James</i> 6/24/78	FIRST USED ON	VT100
REMOVE BURRS AND BREAK SHARP CORNERS	CHK'D <i>A. Jones</i> 7/3/78	TITLE	CABLE, INTERNAL 20 MA ADAPTOR
DO NOT SCALE DWG	ENG. <i>W. James</i> 1-23-78	SIZE	C IA
MATERIAL SEE PARTS LIST	PROJ. ENG. <i>W. James</i> 1-23-78	CODE	7015506-0-0
FINISH <i>#</i>	NEXT HIGHER ASSY.	NUMBER	A
		DIST.	

REV.	CHANGE NO.	DATE	BY
A	1	20 SEP 79	C. JAMES
			Richard A. Jones 1/1/79

4 3 2 1

D C B A

REV. NUMBER
C IA 7015506-0-0 A

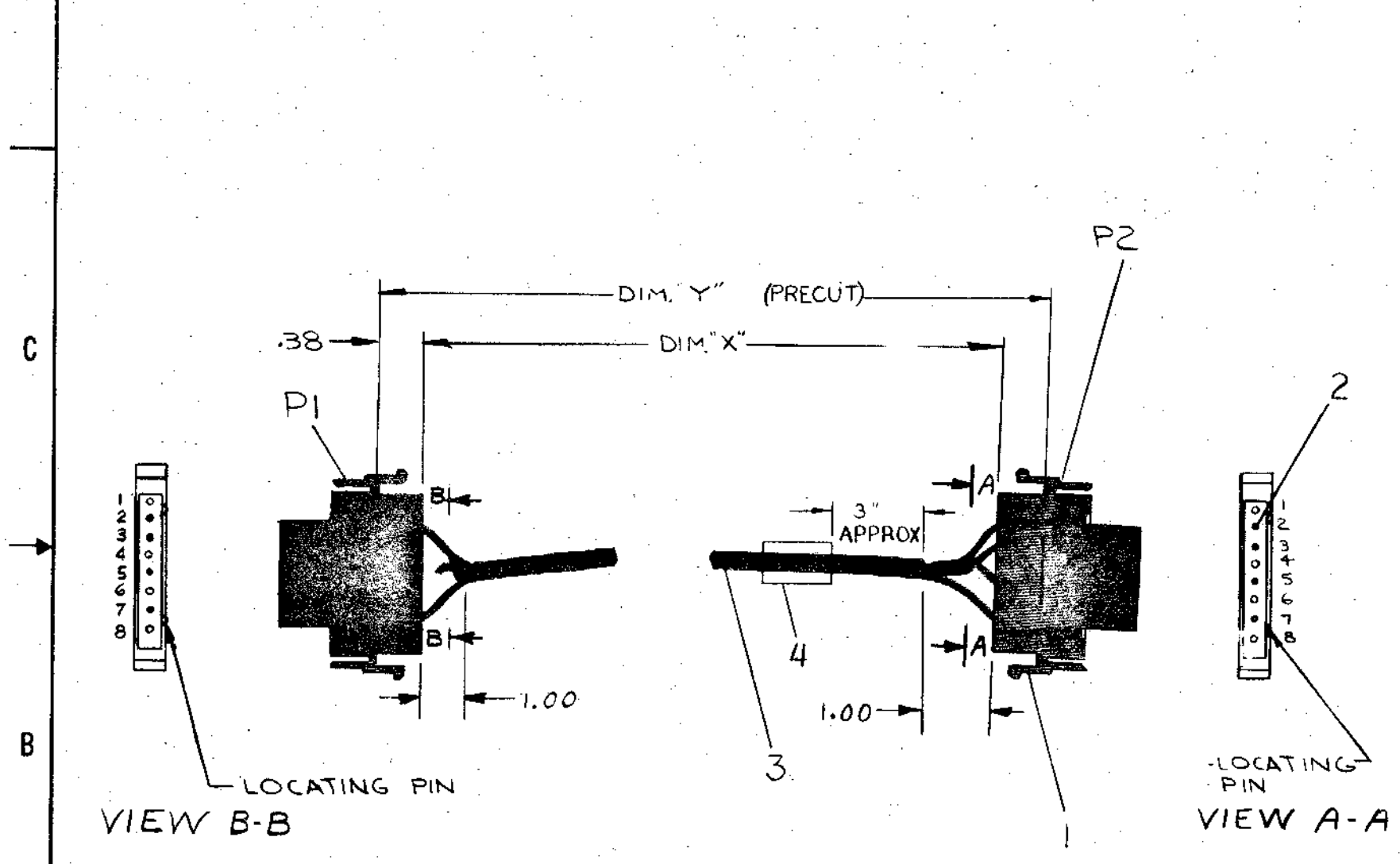
4 3 2 1

This drawing and specifications, herein, are the property of Digital Equipment Corporation and shall not be reproduced or copied or used in whole or in part as the basis for the manufacture or sale of items without written permission.

LEGEND		
NUMBER	DIM "X" VARIATION	DIM "Y" (PRECUT) REF
BC05F-15	15 FT. ± 3 IN.	15 FT. .75 IN. 13 IN.
BC05F-9	9 FT. ± 2 IN.	9 FT. .75 IN. ± 2 IN.

WIRE TABLE				
ITEM NO	DESCRIPTION	FROM CONNECTION	TO CONNECTION	
3	22	BLK	P1-2	P2-3
3	22	RED	P1-3	P2-2
3	22	WHT	P1-5	P2-7
3	22	GRN	P1-7	P2-5

NOTES:
1. ASSEMBLE CABLE I.D. LABEL TO AREA AS SHOWN BELOW.



CAUTION: FOR OFF SHEET PARTS LIST SEE K-PL-BC05F-0-DBP.

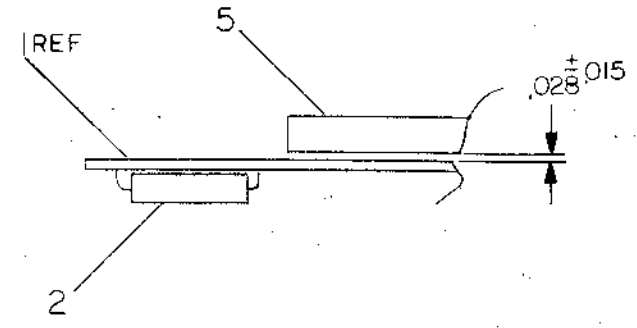
REV.	CHANGE NO.	DATE	BY	CHK'D
A	BC05F-00001	11-8-71	R. FITCH	
B	LA36-00119	11-9-71	Robert Fitch	
C	BC05F-00002	7/18/75	J. BITTO	
D	BC05F-M1003	22 JUN 76	R. FITCH	
		19 MAY 81	J. DESUK	

FIRST USED ON OPTION MODEL	QTY.	DESCRIPTION	PART NO.	ITEM NO.
DF11				
UNLESS OTHERWISE SPECIFIED				
DIMENSION IN INCHES				
TOLERANCES				
DECIMALS	FRACTIONS	ANGLES		
± .005	± 1/64	± 0°30'		
FINAL SURFACE QUALITY REMOVE BURRS AND BREAK SHARP CORNERS				
MATERIAL	PARTS LIST			
	DRN	DATE	digital EQUIPMENT CORPORATION MAYNARD, MASSACHUSETTS	
	CHK'D	DATE	TITLE	
	R. Milam	10/8/71	CABLE INTERFACE	
	ENG	DATE	BC05F	
	Robert Fitch	10-19-71		
	PROJ. ENG.	DATE		
	Robert Fitch	10-19-71		
	PROD.	DATE		
	Paul Gagne	11-16-71		
	NEXT NIGMER ASS'Y			
	++			
FINISH	SCALE	SIZE CODE NUMBER REV.		
		CUABC05F 0-0 D		
	SHEET 1 OF 1	DIST.		

REV. D
NUMBER BC05F-0-0
SIZE CODE CUABC05F-0-0

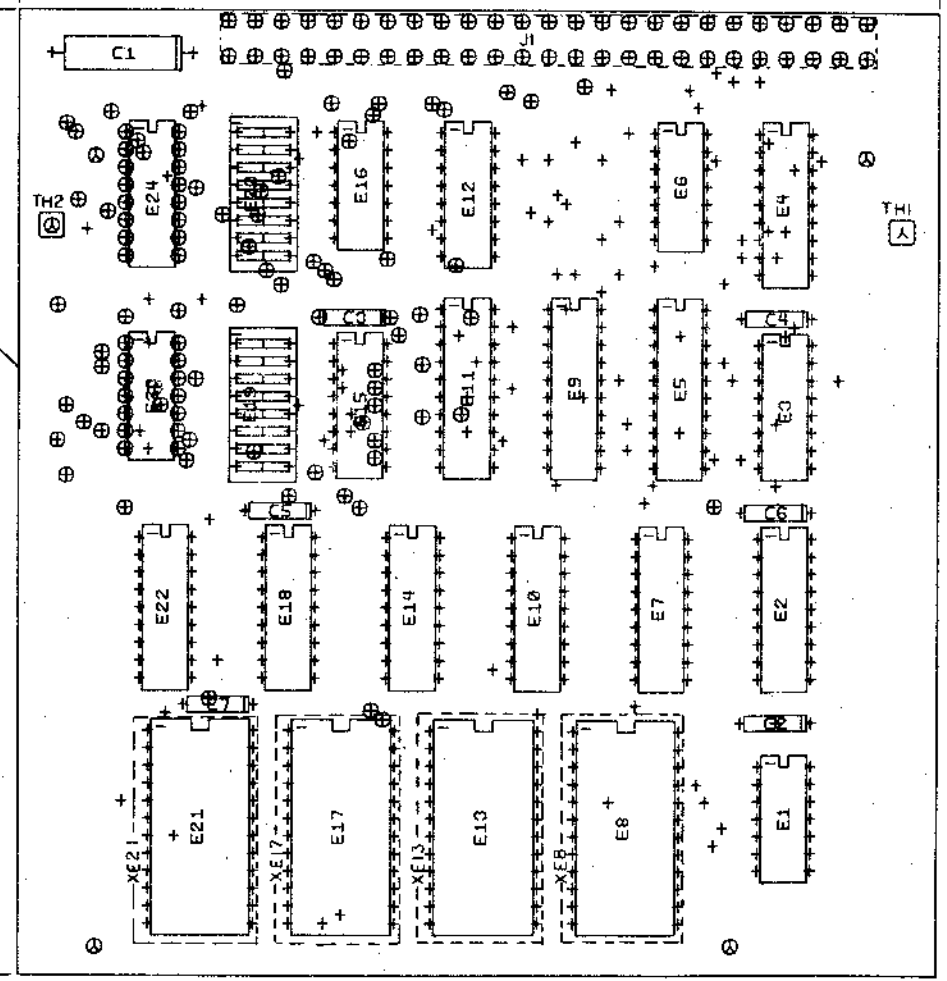
THIS DRAWING AND SPECIFICATIONS, HEREIN, AND THE PROPERTY OF DIGITAL EQUIPMENT CORPORATION AND SHALL NOT BE REPRODUCED OR COPIED OR USED IN WHOLE OR IN PART AS THE BASIS FOR THE MANUFACTURE OR SALE OF ITEMS WITHOUT WRITTEN PERMISSION.
 COPYRIGHT © 1978 DIGITAL EQUIPMENT CORPORATION

COMPONENT SIDE VIEW



5.187 REF
131.75 MM.

5.60 REF
142.24 MM.



NOTES: 1. CONN MOUNTED ON SIDE 2

CHANGE NO	REV	DATE	BY
5413097-0-0	F		
DRAWN BY		DATE	BY
R. PUCCI			
CHECKED BY		DATE	BY
Richard Pucci			

ETCH REV. C-P3

SIGNATURES		DATE	digital
DRN. <i>[Signature]</i>			
CHK'D. <i>[Signature]</i>			
MECH. ENG. <i>[Signature]</i>			
PROJ. ENG. <i>[Signature]</i>			
SCALE 2/1			TITLE VT100
SHT. 1 OF 1			ADVANCED VIDEO
NEXT HIGHER ASSY. B-DD-5413097-0			SIZE CODE NUMBER REV
			D UA 5413097-0-0 F

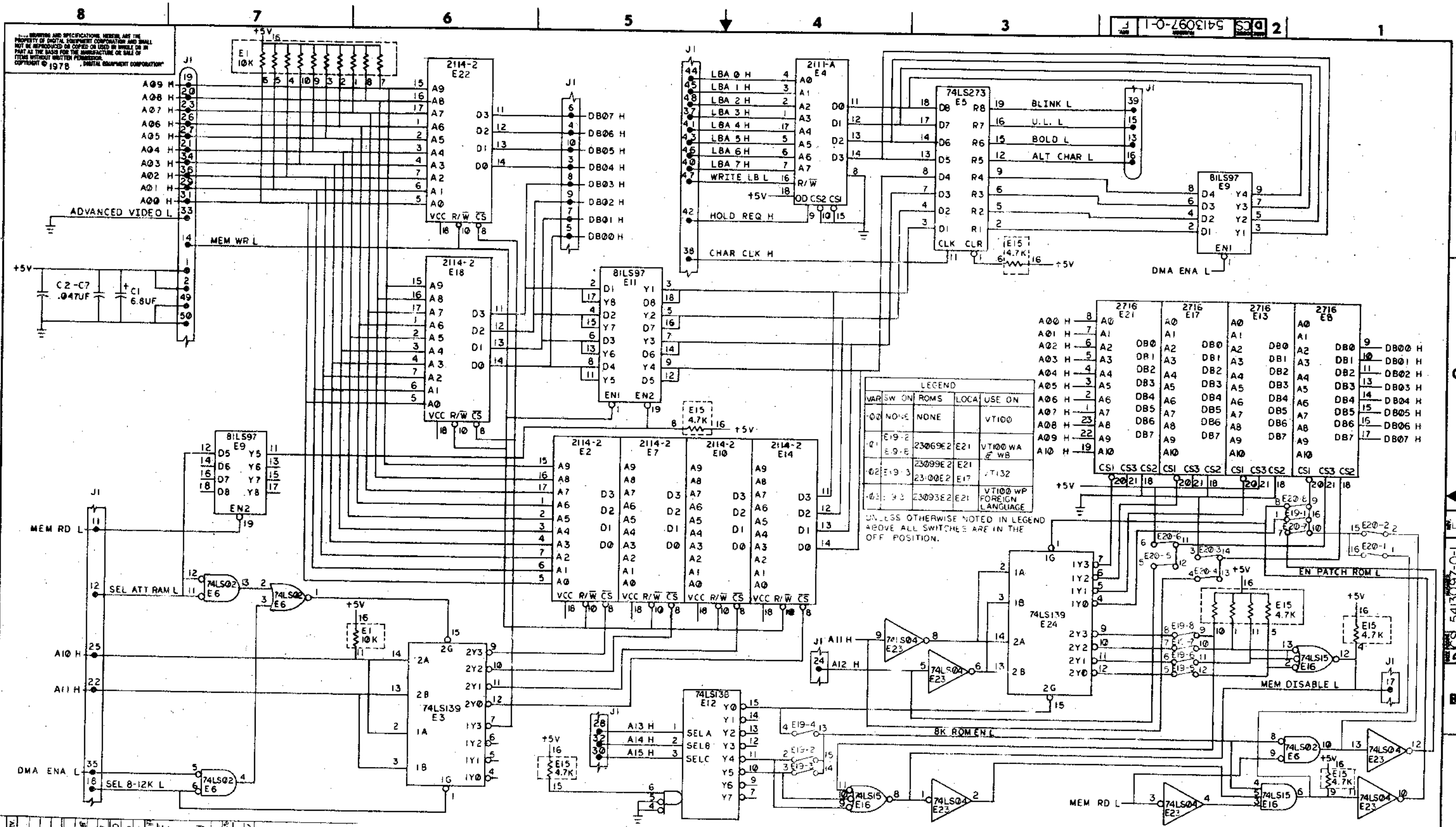
STEP E	↑ Y AXIS	STEP	TIMES 2ML 2
REPERT	→ X AXIS	STEP	TIMES

LINE	ITEM	DOCUMENT NUMBER	PART NUMBER	DESCRIPTION	QTY PER VARIATION				REFERENCE DESIGNATOR
					00	01	02	03	
1	1	D-MD-5013096-0-0	5013096-00	DRILL & ETCH DRAWING	1	1	1	1	
2	2		1005306-00	G.BMFD 35V 10% S.TANT	1	1	1	1	C1
3	3		1012784-00	.047 MFD 50V +80-20% CER	6	6	6	6	C2-C7
4	4		1215006-06	SOCKET 24PIN IC LOW PROFILE	4	4	4	4	XE8,XE13,XE17,XE21
5	5		1214060-01	HEADER.150 50POS	1	1	1	1	J1
6	6		1300005-03	R NETWORK 13-10K 5.0 % 14PIN	1	1	1	1	E1
7	7		1300005-07	R NETWORK 15-4.7K 5.0 % 16PIN	1	1	1	1	E15
8	8		1912801-00	LS02 NOR-GATE-QUAD 2IN	1	1	1	1	E6
9	9		1912803-00	74LS04 INVERTER GATE,HEX	1	1	1	1	E23
10	10		1912809-00	LS15 NAND GATE-TRIPLE 3IN	1	1	1	1	E16
11	11		1912842-00	LS138 DECODER-THREE INPUT,	1	1	1	1	E12
12	12		1912843-00	LS139 DECODER, 2 OF 4(DUAL	2	2	2	2	E3,E24
13	13		1912863-00	LS273 FF-D OCTAL W/CLEAR	1	1	1	1	E5
14	14		1914213-00	81LS97 BUFFER GATE-OCTAL 2I	2	2	2	2	E9,E11
15	15		2113106-01	1K MOS RAM 250NS	1	1	1	1	E4
16	16		2114212-00	P 2114-2 RAM,1024X4,STATIC	6	6	6	6	E2,E7,E10,E14,E18,E22
17	18		1211164-04	SW,DIP 1P 1A 8POS	2	2	2	2	E19,E20
18	19		23069E2-00	E2-02,E2-04 RO	-	1	-	-	E21
19	20		23099E2-00	E2-02	-	-	1	-	E21
20	21		23100E2-00	E2-02	-	-	1	-	E17
21	22		23093E2-00	E2-02,E2-04	-	-	-	1	E21
22	23	A-SP-3700554-0-0	3700554-00	PKG MODULE 5413097	REF	REF	REF	REF	
23	24	A-SP-3700438-0-0	3700438-05	PKG. BULK CARTON 9906476-29	REF	REF	REF	REF	

24 NOTE: FOR INDIVIDUAL FIELD SERVICE/CUSTOMER SPARES SHIPMENT USE PACKAGING INSTRUCTION A-SP-3700554-0-0.
 25 NOTE: FOR BULK INTERPLANT SHIPMENT USE PACKAGING INSTRUCTIONS A-SP-3700438-00.

REVISION HISTORY			BASIC PART NO: 5413097								
ENG	ECD NUMBER	REV	SECTION A OF A	DRN:	T. SHETRAWSKI	DATE:	10-MAR-78	D I G I T A L			
---	INIT	A	SECTION.VARIATION INDEX	CHK'D:	T. SHETRAWSKI	DATE:	10-MAR-78	TITLE PARTS LIST			
---	5413097-ML002	C	[A] 00,01,02,03					VT100 ADV VIDEO			
CJ	5413097-ML003	D	[B]	DES.ENG:	D. PUCCI	DATE:	10-MAR-78	DOCUMENT NUMBER			
CJ	5413097-ML004	E	[C]	RESP.ENG.:	D. PUCCI	DATE:	10-MAR-78	SIZE CODE NUMBER REV			
DP	5413097-ML005	F	[D]					MFG.ENG.:			
RB	5413097-ML006	H	[E]		T. CORCIARI	DATE:	10-MAR-78	K	PL	5413097-0-DBP	H
			[F]	ASSEMBLY NUMBER:		TOP DOCUMENT NUMBER:		FILE NAME:		EDIT #	
			[G]	D-UA-5413097-0-0		B-DD-5413097-0-0		21081H.PLS		9	
			[H]								
			[I]								
			[J]								
			[K]								
			[L]								
			[M]								
			[N]								

"THIS DRAWING AND SPECIFICATIONS HEREIN, ARE THE PROPERTY OF DIGITAL EQUIPMENT CORPORATION AND SHALL NOT BE REPRODUCED OR COPIED OR USED IN WHOLE OR IN PART AS THE BASIS FOR THE MANUFACTURE OR SALE OF ITEMS WITHOUT WRITTEN PERMISSION.
 COPYRIGHT (C) 1981, DIGITAL EQUIPMENT CORPORATION "



... DRAWING AND SPECIFICATIONS HEREIN ARE THE PROPERTY OF DIGITAL EQUIPMENT CORPORATION AND SHALL NOT BE REPRODUCED OR COPIED OR USED IN WHOLE OR IN PART AS THE BASIS FOR THE MANUFACTURE OR SALE OF ITEMS WITHOUT WRITTEN PERMISSION. DIGITAL EQUIPMENT CORPORATION © 1978

LEGEND

VAR	SW ON	ROMS	LOCA	USE ON
00	NONE	NONE		VT100
01	E19-2	23069E2	E21	VT100 WA & WB
02	E19-3	23099E2	E21	VT100 WP FOREIGN LANGUAGE
03	9-3	23093E2	E21	VT100 WP FOREIGN LANGUAGE

UNLESS OTHERWISE NOTED IN LEGEND ABOVE ALL SWITCHES ARE IN THE OFF POSITION.

REV	DATE	BY	CHKD	DESCRIPTION
1	11-15-78	R. PUCCI		REVISED FOR VT100
2	11-15-78	R. PUCCI		REVISED FOR VT100
3	11-15-78	R. PUCCI		REVISED FOR VT100
4	11-15-78	R. PUCCI		REVISED FOR VT100
5	11-15-78	R. PUCCI		REVISED FOR VT100
6	11-15-78	R. PUCCI		REVISED FOR VT100
7	11-15-78	R. PUCCI		REVISED FOR VT100
8	11-15-78	R. PUCCI		REVISED FOR VT100

DRN. <i>[Signature]</i>	DATE <i>[Date]</i>	FIRST USED ON	VT100
CHKD. <i>[Signature]</i>	DATE <i>[Date]</i>	TITLE	VT100 ADVANCED VIDEO
ENG. <i>[Signature]</i>	DATE <i>[Date]</i>	PROJECT	VT100
PROD. <i>[Signature]</i>	DATE <i>[Date]</i>	PROD. NO.	5413097-0-1
NEXT HIGHER ASSY.		SCALE	D CS
B-D0-5413097-0		SIZE	D CS
SHEET 1 OF 1		NUMBER	5413097-0-1
		REV.	F

DIGITAL EQUIPMENT CORPORATION PARTS LIST

MADE BY D. HEALY	CHECKED D. HEALY	SECTION A1
DATE 14-JUN-78	DATE 14-JUN-78	
ENG E. WEDEKING	PROD K. HOFFMAN	ISSUED SECTION A2
DATE 10-JUL-78	DATE 10-JUL-78	

QUANTITY / VARIATION

NOTES:

ITEM NO.	DRAWING NO.	PART NO.	DESCRIPTION	QUANTITY / VARIATION												REF DESIGNATION	
				VT100-AA	VT100-AB	VT100-NA	VT100-NB	VT100-WA	VT100-WB	VT100-WC	VT100-WD	VT100-WE	VT100-WF	VT100-WG	VT100-WH		
1	EK-VT100-UG-001	EK-VT100-UG	GUIDE, USERS VT100	1	1	1	1	1	1	1	1	1	1	1	1	1	
2		3615741	LABEL, SET-UP, VT100	1	1	1	1	1	1	-	-	-	-	-	-	-	
3		VT100-AA	TERM., VIDEO, W/115V PLUG	1	-	-	-	-	-	-	-	-	-	-	-	-	
4		VT100-AB	TERM., VIDEO, W/230V PLUG	-	1	-	-	-	-	-	-	-	-	-	-	-	
5		VT100-NA	TERM., VIDEO, DECFORM, W/115V PLUG	-	-	1	-	-	-	-	-	-	-	-	-	-	
6		VT100-NB	TERM., VIDEO, DECFORM, W/230V PLUG	-	-	-	1	-	-	-	-	-	-	-	-	-	
7		VT100-WA	TERM., VIDEO, WORD PROCESSING, W/115V PLUG.	-	-	-	-	1	-	-	-	-	-	-	-	-	
8		VT100-WB	TERM., VIDEO, WORD PROCESSING, W/230V PLUG.	-	-	-	-	-	1	-	-	-	-	-	-	-	
9	A-SP-VT100-W-0		INSTALLATION NOTES, WORD PROCESSING TERMINAL.	-	-	-	-	1	1	1	1	1	1	1	1	1	
10		VT100-WC	TERM, VIDEO, FR. CANADIAN WP W/ 115V PLUG.	-	-	-	-	-	-	1	-	-	-	-	-	-	
11		VT100-WD	TERM, VIDEO, FR. CANADIAN WP W/ 230V PLUG	-	-	-	-	-	-	-	1	-	-	-	-	-	
12		VT100-WE	TERM, VIDEO, FRENCH WP W/115V PLUG	-	-	-	-	-	-	-	-	1	-	-	-	-	
13		VT100-WF	TERM, VIDEO, FRENCH WP W/230V PLUG	-	-	-	-	-	-	-	-	-	1	-	-	-	
14		VT100-WG	TERM, VIDEO, DUTCH, WP W/115V PLUG	-	-	-	-	-	-	-	-	-	-	-	1	-	
15		VT100-WH	TERM, VIDEO, DTUCH, WP W/230V PLUG	-	-	-	-	-	-	-	-	-	-	-	-	1	
16		VT100-WJ	TERM, VIDEO, GERMAN WP W/115V PLUG	-	-	-	-	-	-	-	-	-	-	-	-	-	
17		VT100-WK	TERM, VIDEO, GERMAN WP W/230V PLUG	-	-	-	-	-	-	-	-	-	-	-	-	-	
18		VT100-WY	TERM, VIDEO, WP W/115V PLUG	-	-	-	-	-	-	-	-	-	-	-	-	-	

E.C.O. NO.
ML032
ML037

"THIS DRAWING AND SPECIFICATIONS, HEREIN, ARE THE PROPERTY OF DIGITAL EQUIPMENT CORPORATION AND SHALL NOT BE REPRODUCED OR COPIED OR USED IN WHOLE OR IN PART AS THE BASIS FOR THE MANUFACTURE OR SALE OF ITEMS WITHOUT WRITTEN PERMISSION. COPYRIGHT ©1978 DIGITAL EQUIPMENT CORPORATION"	TITLE <p style="text-align: center;">SHIPPING LIST VT100</p>	ASSY NO. /	SIZE <p style="text-align: center;">B</p>	CODE <p style="text-align: center;">PL</p>	NUMBER <p style="text-align: center;">VT100-0</p>	REV. <p style="text-align: center;">E</p>
		SHEET 1 OF 4	INSERTION PARTS LIST DATA BASE REV			

DIGITAL EQUIPMENT CORPORATION PARTS LIST

MADE BY DATE	D. HEALY 14-JUN-78	CHECKED DATE	D. HEALY 14-JUN-78	SECTION A2
ENG DATE	E. WEDEKING 10-JUL-78	PROD DATE	K. HOFFMAN 10-JUL-78	ISSUED SECTION A2

QUANTITY / VARIATION

NOTES:

ITEM NO.	DRAWING NO.	PART NO.	DESCRIPTION	QUANTITY / VARIATION												REF DESIGNATION	
				VT100-AA	VT100-AB	VT100-NA	VT100-NB	VT100-WA	VT100-WB	VT100-WC	VT100-WD	VT100-WE	VT100-WF	VT100-WG	VT100-WH		
19		VT100-WZ	TERM, VIDEO, WP W/230V PLUG	-	-	-	-	-	-	-	-	-	-	-	-	-	
20		3615741-01	LABEL, SET-UP, VT100 FOR SYSTEMS	-	-	-	-	-	-	1	1	1	1	1	1	1	
21		AA-H989A-TA	VT100 FOREIGN LANGUAGE SUPPLEMENT	-	-	-	-	-	-	1	1	1	1	1	1	1	
22		VT100-LA	TERM, VIDEO, W/P40 TUBE	1	-	-	-	-	-	-	-	-	-	-	-	-	
23		VT100-LB	TERM, VIDEO, W/P40 TUBE	-	1	-	-	-	-	-	-	-	-	-	-	-	
24		VT100-PA	VT100-AA EXCEPT DARK GRAY 120V PRIVATE BRAND	-	-	-	-	-	-	-	-	-	-	-	-	-	
25		VT100-PB	VT100-AB EXCEPT DARK GRAY 240V PRIVATE BRAND	-	-	-	-	-	-	-	-	-	-	-	-	-	
26		VT100-PC	VT100-PA WITHOUT ELECTRONICS 120V PRIVATE BRAND	-	-	-	-	-	-	-	-	-	-	-	-	-	
27		VT100-PD	VT100-PB WITHOUT ELECTRONICS 240V PRIVATE BRAND	-	-	-	-	-	-	-	-	-	-	-	-	-	
28		VT100-PE	VT100-PA WITHOUT ELECTRONICS & NO KEYBOARD 120V PRIVATE BRAND	-	-	-	-	-	-	-	-	-	-	-	-	-	
29		VT100-PF	VT100-PB WITHOUT ELECTRONICS & NO KEYBOARD 240V PRIVATE BRAND	-	-	-	-	-	-	-	-	-	-	-	-	-	
30		EK-VT100-RC	VT100 PROGRAM REF CARD	1	1	1	1	1	1	1	1	1	1	1	1	1	

E.C.O. NO.

"THIS DRAWING AND SPECIFICATIONS, HEREIN, ARE THE PROPERTY OF DIGITAL EQUIPMENT CORPORATION AND SHALL NOT BE REPRODUCED OR COPIED OR USED IN WHOLE OR IN PART AS THE BASIS FOR THE MANUFACTURE OR SALE OF ITEMS WITHOUT WRITTEN PERMISSION. COPYRIGHT ©1978 DIGITAL EQUIPMENT CORPORATION"

TITLE
SHIPPING LIST VT100

ASSY NO. /
SHEET 2 OF 4

SIZE B	CODE PL	NUMBER VT100-0	REV. E
------------------	-------------------	-------------------	-----------

DRB 125

INSERTION PARTS LIST DATA BASE REV

DIGITAL EQUIPMENT CORPORATION PARTS LIST

MADE BY DATE	D. HEALY 14-JUN-78	CHECKED DATE	D. HEALY 14-JUN-78
SECTION	B1		
ENG DATE	E. WEDEKING 10-JUL-78	PROD DATE	K. HOFFMAN 10-JUL-78
ISSUED SECTION	B2		

QUANTITY / VARIATION

NOTES:

ITEM NO.	DRAWING NO.	PART NO.	DESCRIPTION	VT100-WJ	VT100-WK	VT100-WY	VT100-WZ	VT100-LA	VT100-LB	VT100-PA	VT100-PB	VT100-PC	VT100-PD	VT100-PE	VT100-PF	REF DESIGNATION
1	EK-VT100-UG-001	EK-VT100-UG	GUIDE, USERS VT100	1	1	1	1	1	1	-	-	-	-	-	-	
2		3615741	LABEL, SETUP, VT100	-	-	-	-	1	1	-	-	-	-	-	-	
3		VT100-AA	TERM., VIDEO, W/115V PLUG	-	-	-	-	-	-	-	-	-	-	-	-	
4		VT100-AB	TERM., VIDEO, W/230V PLUG	-	-	-	-	-	-	-	-	-	-	-	-	
5		VT100-NA	TERM., VIDEO, DECFORM, W/115V PLUG	-	-	-	-	-	-	-	-	-	-	-	-	
6		VT100-NB	TERM., VIDEO, DECFORM, W/230V PLUG	-	-	-	-	-	-	-	-	-	-	-	-	
7		VT100-WA	TERM., VIDEO, WORD PROCESSING W/115V PLUG.	-	-	1	-	-	-	-	-	-	-	-	-	
8		VT100-WB	TERM., VIDEO, WORD PROCESSING, W/230V PLUG.	-	-	-	1	-	-	-	-	-	-	-	-	
9	A-SP-VT100-W-0		INSTALLATION NOTES, WORD PROCESSING TERMINAL.	1	1	1	1	-	-	-	-	-	-	-	-	
10		VT100-WC	TERM, VIDEO, FR. CANADIAN WP W/115V PLUG	-	-	-	-	-	-	-	-	-	-	-	-	
11		VT100-WD	TERM, VIDEO, FR. CANADIAN WP W/230V PLUG	-	-	-	-	-	-	-	-	-	-	-	-	
12		VT100-WE	TERM, VIDEO, FRENCH WP W/115V PLUG	-	-	-	-	-	-	-	-	-	-	-	-	
13		VT100-WF	TERM, VIDEO, FRENCH WP W/230V PLUG	-	-	-	-	-	-	-	-	-	-	-	-	
14		VT100-WG	TERM, VIDEO, DUTCH WP W/115V PLUG	-	-	-	-	-	-	-	-	-	-	-	-	
15		VT100-WH	TERM, VIDEO, DUTCH WP W/230V PLUG	-	-	-	-	-	-	-	-	-	-	-	-	
16		VT100-WJ	TERM, VIDEO, GERMAN WP W/115V PLUG	1	-	-	-	-	-	-	-	-	-	-	-	
17		VT100-WK	TERM, VIDEO, GERMAN WP W/230V PLUG	-	1	-	-	-	-	-	-	-	-	-	-	
18		VT100-WY	TERM, VIDEO, WP W/115V PLUG	-	-	1	-	-	-	-	-	-	-	-	-	

E.C.O. NO.

"THIS DRAWING AND SPECIFICATIONS, HEREIN, ARE THE PROPERTY OF DIGITAL EQUIPMENT CORPORATION AND SHALL NOT BE REPRODUCED OR COPIED OR USED IN WHOLE OR IN PART AS THE BASIS FOR THE MANUFACTURE OR SALE OF ITEMS WITHOUT WRITTEN PERMISSION. COPYRIGHT © 1978 DIGITAL EQUIPMENT CORPORATION"

TITLE
SHIPPING LIST VT100

ASSY NO. //

SIZE
B

CODE
PL

NUMBER

VT100-0

REV.
E

SHEET 3 OF 4

INSERTION PARTS LIST DATA BASE REV

DIGITAL EQUIPMENT CORPORATION PARTS LIST				QUANTITY / VARIATION										NOTES:			
MADE BY DATE	D. HEALY 14-JUN-78	CHECKED DATE	D. HEALY 14-JUN-78	SECTION B2	VT100-WJ	VT100-WK	VT100-WY	VT100-WZ	VT100-LA	VT100-LB	VT100-PA	VT100-PB	VT100-PC	VT100-PD	VT100-PE	VT100-PF	REF DESIGNATION
ENG DATE	E. WEDEKING 10-JUL-78	PROD DATE	K. HOFFMAN 10-JUL-78	ISSUED SECTION B2													
ITEM NO.	DRAWING NO.	PART NO.	DESCRIPTION														
19		VT100-WZ	TERM, VIDEO, WP W/230V PLUG	-	-	-	1	-	-	-	-	-	-	-	-	-	
20		3615741-01	LABEL, SET-UP, VT100 FOR SYSTEMS	1	1	1	1	-	-	-	-	-	-	-	-	-	
21		AA-H989A-TA	VT100 FOREIGN LANGUAGE SUPPLEMENT	1	1	1	1	-	-	-	-	-	-	-	-	-	
22		VT100-LA	TERM, VIDEO, W/P40 TUBE	-	-	-	-	1	-	-	-	-	-	-	-	-	
23		VT100-LB	TERM, VIDEO, W/P40 TUBE	-	-	-	-	-	1	-	-	-	-	-	-	-	
24		VT100-PA	VT100-AA EXCEPT DRAK GRAY 120V PRIVATE BRAND	-	-	-	-	-	-	1	-	-	-	-	-	-	
25		VT100-PB	VT100-AB EXCEPT DARK GRAY 240V PRIVATE BRAND	-	-	-	-	-	-	-	1	-	-	-	-	-	
26		VT100-PC	VT100-PA WITHOUT ELECTRONICS 120V PRIVATE BRAND	-	-	-	-	-	-	-	-	1	-	-	-	-	
27		VT100-PD	VT100-PB WITHOUT ELECTRONICS 240V PRIVATE BRAND	-	-	-	-	-	-	-	-	-	1	-	-	-	
28		VT100-PE	VT100-PA WITHOUT ELECTRONICS & NO KEYBOARD 120V PRIVATE BRAND	-	-	-	-	-	-	-	-	-	-	1	-	-	
29		VT100-PF	VT100-PB WITHOUT ELECTRONICS & NO KEYBOARD 240V PRIVATE BRAND	-	-	-	-	-	-	-	-	-	-	-	1	-	
30		EK-VT100-RC	VT100 PROGRAM REF CARD	1	1	1	1	1	1	1	1	1	1	1	1	1	

E.C.O. NO.

"THIS DRAWING AND SPECIFICATIONS, HEREIN, ARE THE PROPERTY OF DIGITAL EQUIPMENT CORPORATION AND SHALL NOT BE REPRODUCED OR COPIED OR USED IN WHOLE OR IN PART AS THE BASIS FOR THE MANUFACTURE OR SALE OF ITEMS WITHOUT WRITTEN PERMISSION. COPYRIGHT ©1978 DIGITAL EQUIPMENT CORPORATION"

TITLE
SHIPPING LIST VT100

ASSY NO.
SHEET 4 OF 4

SIZE B	CODE PL	NUMBER VT100-0	REV. E
INSERTION PARTS LIST DATA BASE REV			

DIGITAL EQUIPMENT CORPORATION

MAYNARD, MASSACHUSETTS

ENGINEERING SPECIFICATION

DATE 6/28/79

TITLE VT100-W Word Processing Terminals Installation Notes

REVISIONS

REV	DESCRIPTION	CHG NO	ORIG	DATE	APPD BY	DATE
A	ECO CHANGE	VT100-ML028	W.TREMBLAY	3/12/79	<i>W. Tremblay</i>	5/1/80

The VT100 family of Word Processing Terminals consists of the basic VT100 terminal assembly to which, parts have been added or substituted to make unique terminals, dedicated to word processing applications in various languages.

Table 1 lists the unique parts make-up of the various VT100 Word Processing Terminals.

The VT100 incorporates a user set-up option which is activated by the set-up key on the keyboard. To maintain order among DEC Word Processing Systems using the VT100, a WORD PROCESSING STANDARD SET-UP had been defined. These settings are preset at the factory.

Table 2 shows the correct set-up B settings for VT100-WA and VT100-WB variations. Table 3 shows the correct settings for VT100-WC through VT100-WK, VT100-WY, and VT100-WZ

Verify that the terminal is set-up correctly. If necessary, change incorrect settings then store the settings in the VT100's semi-permanent memory (Ref: VT100 User Guide EK-VT100-0011).

Unique to the VT100 Word Processing Terminal is a Word Processing Advanced Video Module P/N 5413097-xx. Table 5 illustrates ROM and jumper placement for the various modules.

Also unique to the VT100 Foreign Word Processing Terminals is a language set-up mode called the set-up C mode. Table No. 4 explains how to use the set-up C mode to select any one of 5 different languages.

Table 1
Word Processing VT100 Unique Parts

```

*****
* Variation * Basic Unit * Unique Part * Part Number *
*****
* VT100-WA * VT100-AA * Word Proc. Key Bd. * 7015765-03 *
* * * * Word Proc. Advanced * *
* * * * Video Module * 5413097-01 *
*****
* VT100-WB * VT100-AB * Word Proc. Key Bd. * 7015765-03 *
* * * * Word Proc. Advanced * *
* * * * Video Module * 5413097-01 *
*****
* VT100-WC * * * French Canadian Key Bd. * 7015765-05 *
* * * * For. Language Advanced * *
* * * * Video Module w/ROM A * 5413097-03 *
* * * * Basic Video Board * 5413009-02 *
*****
    
```

Table 1 (continued)
Word Processing VT100 Unique Parts

```

*****
* Variation * Basic Unit * Unique Part * Part Number *
*****
* VT100-WD * * French Canadian Key Bd. * 7015765-05 *
* * * * For. Language Advanced * *
* * * * Video Module w/ROM A * 5413097-03 *
* * * * Basic Video Board * 5413009-02 *
*****
* VT100-WE * * French Key Bd. * 7015765-06 *
* * * * For. Language Advanced * *
* * * * Video Module w/ROM A * 5413097-03 *
* * * * Basic Video Board * 5413009-02 *
*****
* VT100-WF * * French Key Bd. * 7015765-06 *
* * * * For. Language Advanced * *
* * * * Video Module w/ROM A * 5413097-03 *
* * * * Basic Video Board * 5413009-02 *
*****
* VT100-WG * * Dutch Key Bd. * 7015765-07 *
* * * * For. Language Advanced * *
* * * * Video Module w/ROM A * 5413097-03 *
* * * * Basic Video Board * 5413009-02 *
*****
* VT100-WH * * Dutch Key Bd. * 7015765-07 *
* * * * For. Language Advanced * *
* * * * Video Module w/ROM A * 5413097-03 *
* * * * Basic Video Board * 5413009-02 *
*****
* VT100-WJ * * German Key Bd. * 7015765-08 *
* * * * For. Language Advanced * *
* * * * Video Module w/ROM A * 5413097-03 *
* * * * Basic Video Board * 5413009-02 *
*****
* VT100-WK * * German Key Bd. * 7015765-08 *
* * * * For. Language Advanced * *
* * * * Video Module w/ROM A * 5413097-03 *
* * * * Basic Video Board * 5413009-02 *
*****
* VT100-WY * * Word Proc. Key Bd. * 7015765-03 *
* * * * For. Language Advanced * *
* * * * Video Module w/ROM A * 5413097-03 *
* * * * Basic Video Board * 5413009-02 *
*****
* VT100-WZ * * Word Proc. Key Bd. * 7015765-03 *
* * * * For. Language Advanced * *
* * * * Video Module w/ROM A * 5413097-03 *
* * * * Basic Video Board * 5413009-02 *
*****
    
```

This document contains confidential proprietary information of DEC. This information shall not be disclosed to persons outside the employ of DEC, except by DEC personnel so authorized by DEC, and only for use by such other persons in the design, production or manufacture of products for DEC. Copyright © Digital Equipment Corporation.

Table 2
Word Processing User Option Set-up "B"

VT100-WA Set-up B

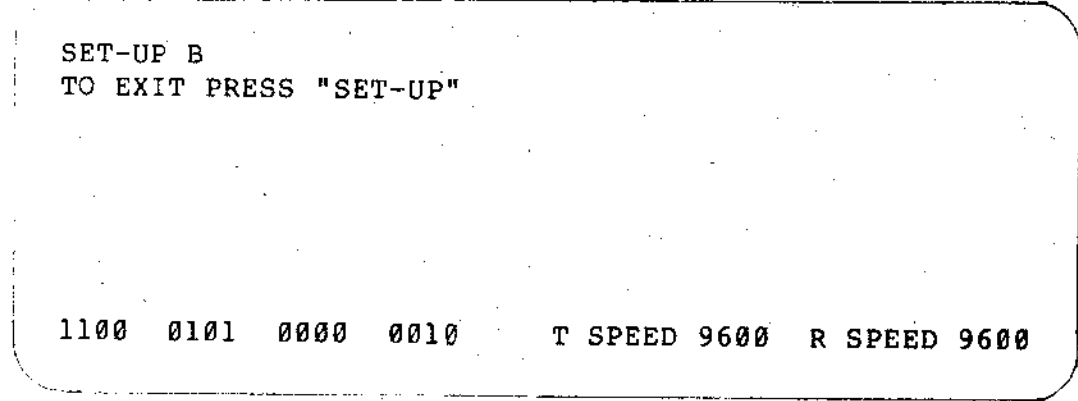
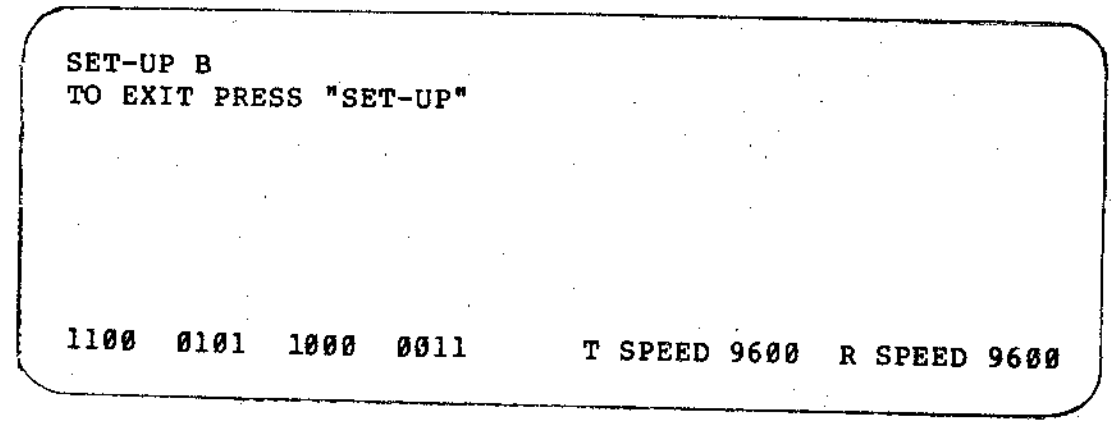


Table 2
Word Processing User Option Set-up "B"

VT100-WB Set-up B



SET-UP B mode may only be entered from SET-UP A mode. To enter SET-UP B from SET-UP A, press the 5 key on the main keyboard. The display will have a presentation similar to the figure shown above.

The table shown below explains the function of each bit and their proper setting.

SET-UP B mode may only be entered from SET-UP A mode. To enter SET-UP B from SET-UP A, press the 5 key on the main keyboard. The display will have a presentation similar to the figure shown above.

The table shown below explains the function of each bit and their proper setting.

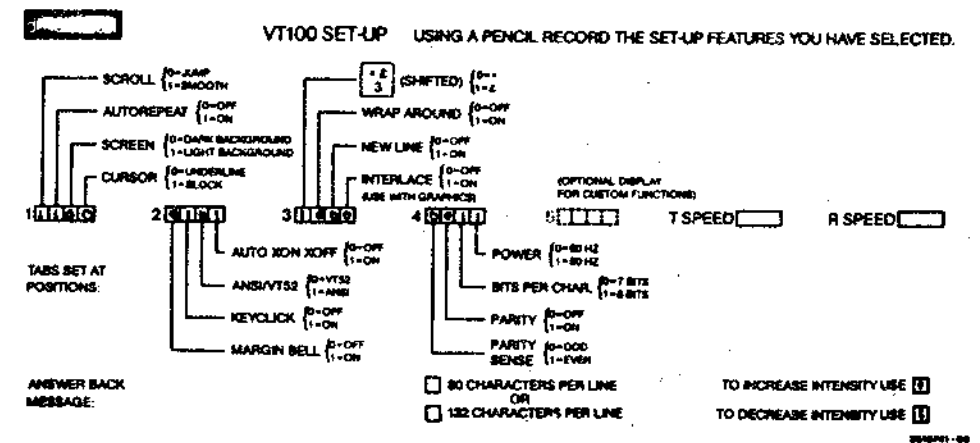
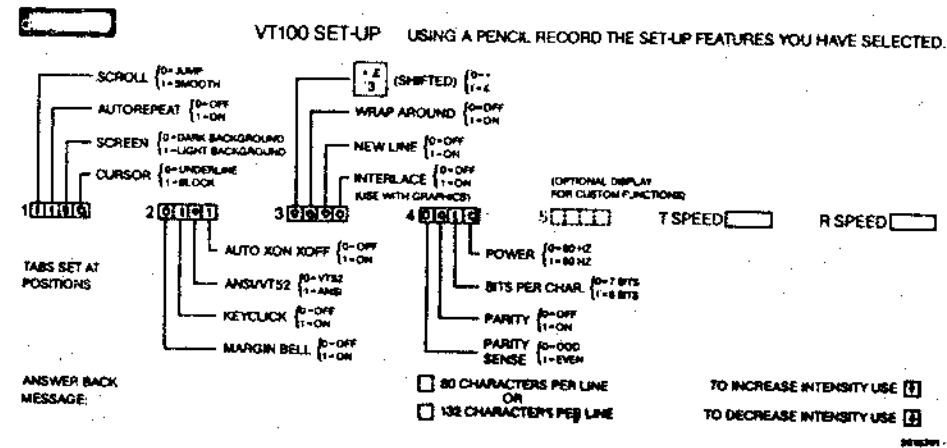


Table 3
Word Processing User Option Set-up "B"

VT100-WC-WK, WY, and WZ Set-up B

SET-UP B
TO EXIT PRESS "SET-UP"

1100 0101 0000 0001

P=80 T 9600 R 9600

NOTE: For WC and WD variations Group 4 should contain all zero's, unless 50 Hz, local echo and/or parity check is desired.

SET-UP B mode may only be entered from SET-UP A mode. To enter SET-UP B from SET-UP A, press the 5 key on the main keyboard. The display will have a presentation similar to the figure shown above.

The table shown below explains the function of each bit and their proper setting.

If the parity setting (P=?) is incorrect, it can be changed by holding the shift key down and pressing the P key repeatedly until the desired setting is displayed.

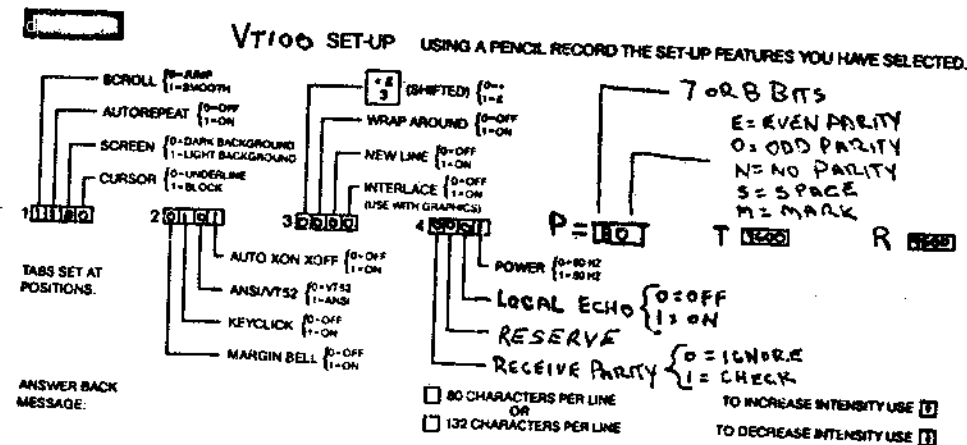


Table 4
Word Processing User Option Set-Up C

The SET-up C mode for VT100 variations -WC through WK, -WY and -WZ allows you to select any one of the following languages.

- French Canadian
- French
- Dutch
- German
- English

SET-UP C mode may only be entered from SET-UP A mode. To enter SET-UP C from SET-UP A, press the 5 key on the main keyboard twice. The display will have a presentation similar to the figure shown below.

SET-UP C
TO EXIT PRESS "SET-UP"

DISPLAY ENGLISH

KEYBOARD ENGLISH

To change the language setting for the display and/or keyboard, advance the cursor until it is positioned above the incorrect language setting then press the number 6 key repeatedly until the desired language setting is displayed.

For terminals set-up for French all numbers (0-9) on the main keyboard are in the shifted position, therefore, they can only be accessed by holding the shift key down and then pressing the desired number key.

It is suggested that the "Caps Lock" key ("Shift Lock" in the French keyboard mode) be always engaged when doing set-up functions to eliminate confusion during set-up.

Table 5
Word Processing Adv. Video Module
ROM and Jumper Locations

VT100-WA & WB 5413097-01

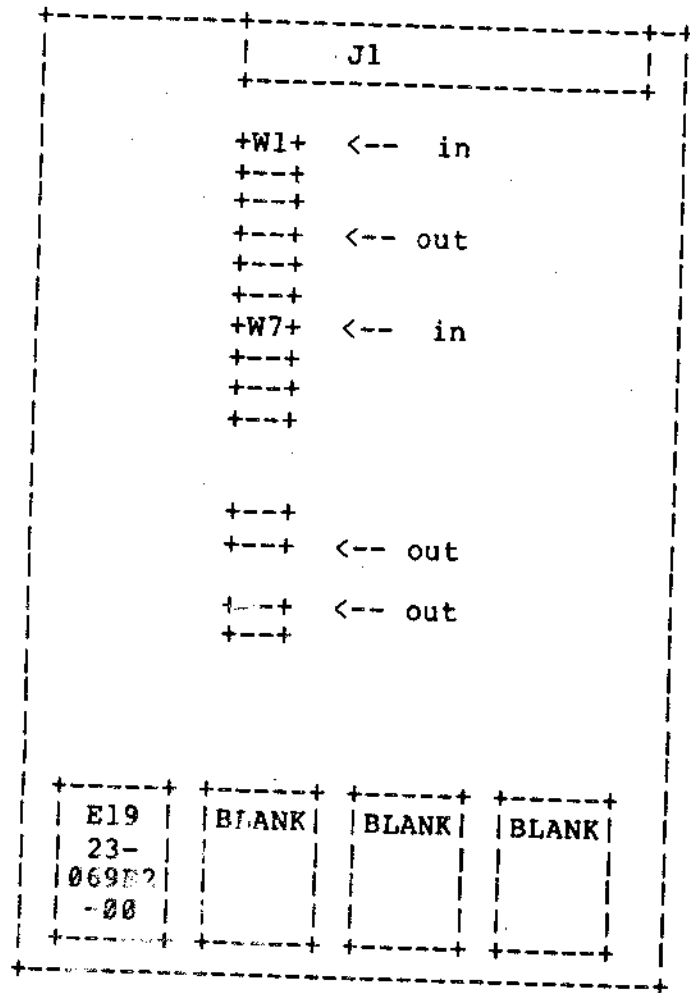


Table 5 (continued)
Word Processing Adv. Video Module
ROM and Jumper Locations

VT100-WC-WK, WY & WZ 5413097-03

